



Count on it.

Parts Catalog

**60in Side Discharge Rotary
Mower**

**Groundsmaster® e3200 2-Wheel Drive
Traction Unit**

Model No. 31890—Serial No. 417100000 and Up



Ordering Replacement Parts

To order replacement parts, please supply the part number, the quantity, and the description of each part desired.

Understanding Reference Numbers

Each identified part in an illustration has a reference number. The reference number for a part also appears in the parts list, along with other information about the part.

This catalog uses two special reference number formats, one to indicate parts in a service assembly and another to indicate the quantity of a given part in an illustration.

Service Assembly Reference Numbers

Parts in service assemblies have reference numbers in the form a:b. The a represents the reference number of the entire service assembly and the b represents a sequential number unique to each part within the service assembly.

For example, a wheel assembly might be identified by reference number 6, the tire by 6:1, the valve by 6:2, and the wheel by 6:3. When you order the assembly identified by reference number 6, you receive all parts identified by reference numbers 6:1, 6:2, and 6:3. However, you may also order any part individually. Reference numbers of this type appear in illustration and in parts lists.

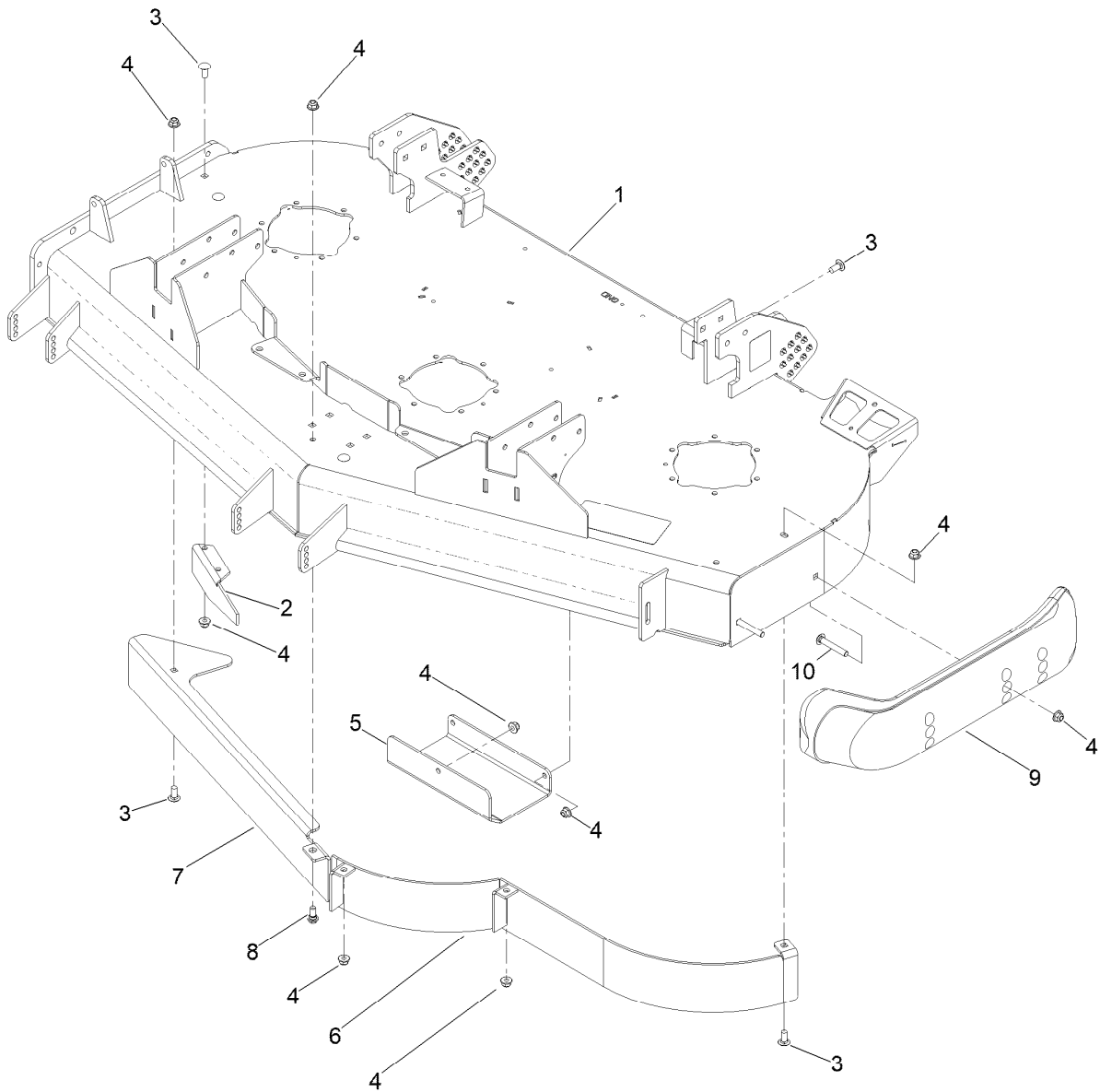
Reference Numbers Indicating Quantity

In an illustration, if a reference number indicates more than one part, the reference number has the form nX y. The n represents the quantity of the part, the X is the multiplication symbol, and the y represents the reference number.

For example, in an illustration, the reference number 2X 37 means that two of the parts identified by reference number 37 are indicated.

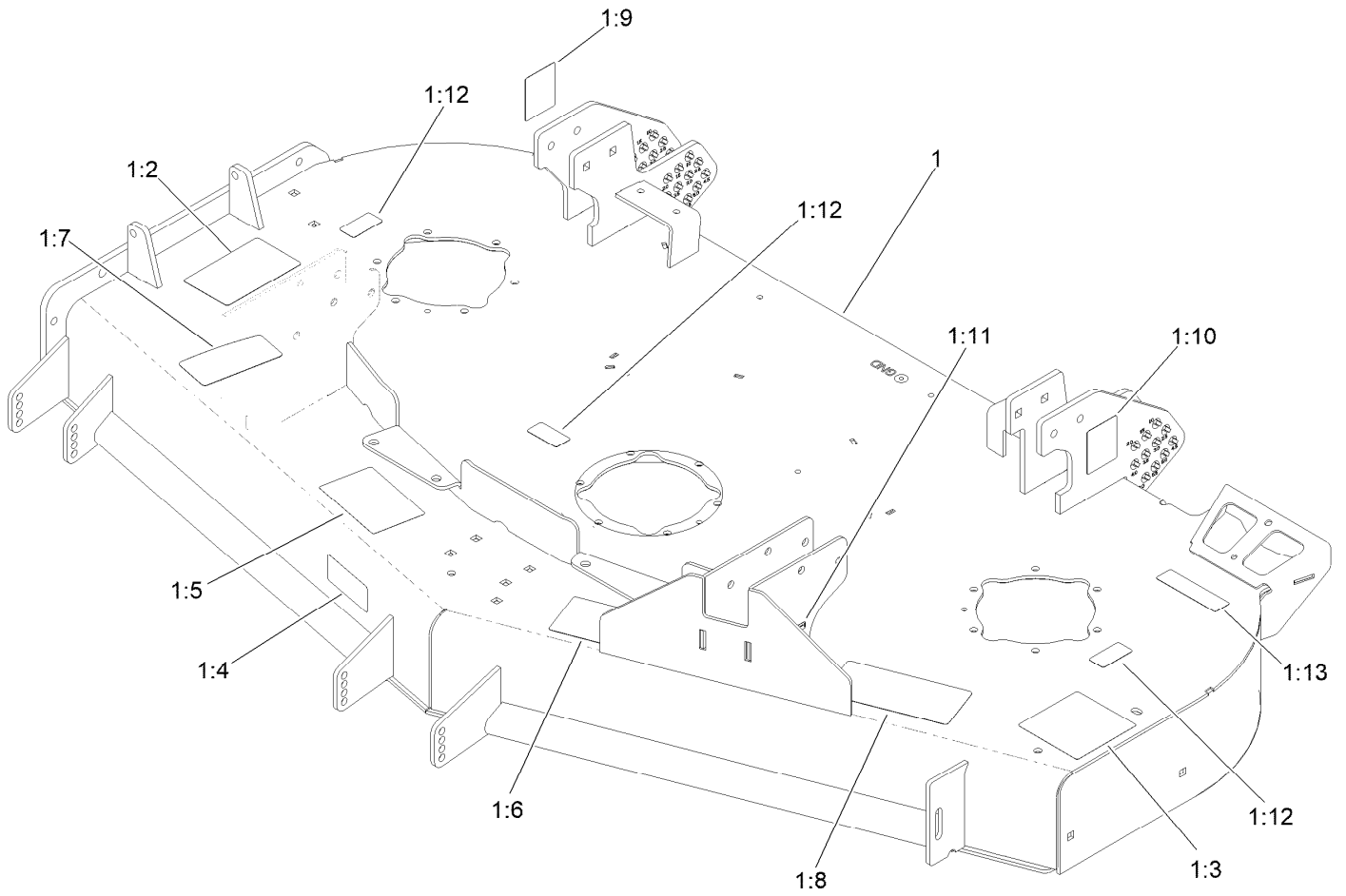
Contents

Deck and Baffle Assembly	4
Deck Decal Assembly No. 145-0941SP.....	5
Caster Wheel, Deflector and Latch Assembly	6
Deflector Assembly No. 144-2635.....	8
Wheel Assembly No. 137-5529.....	10
Latch Assembly No. 147-0070.....	11
Electrical Assembly	12



Deck and Baffle Assembly

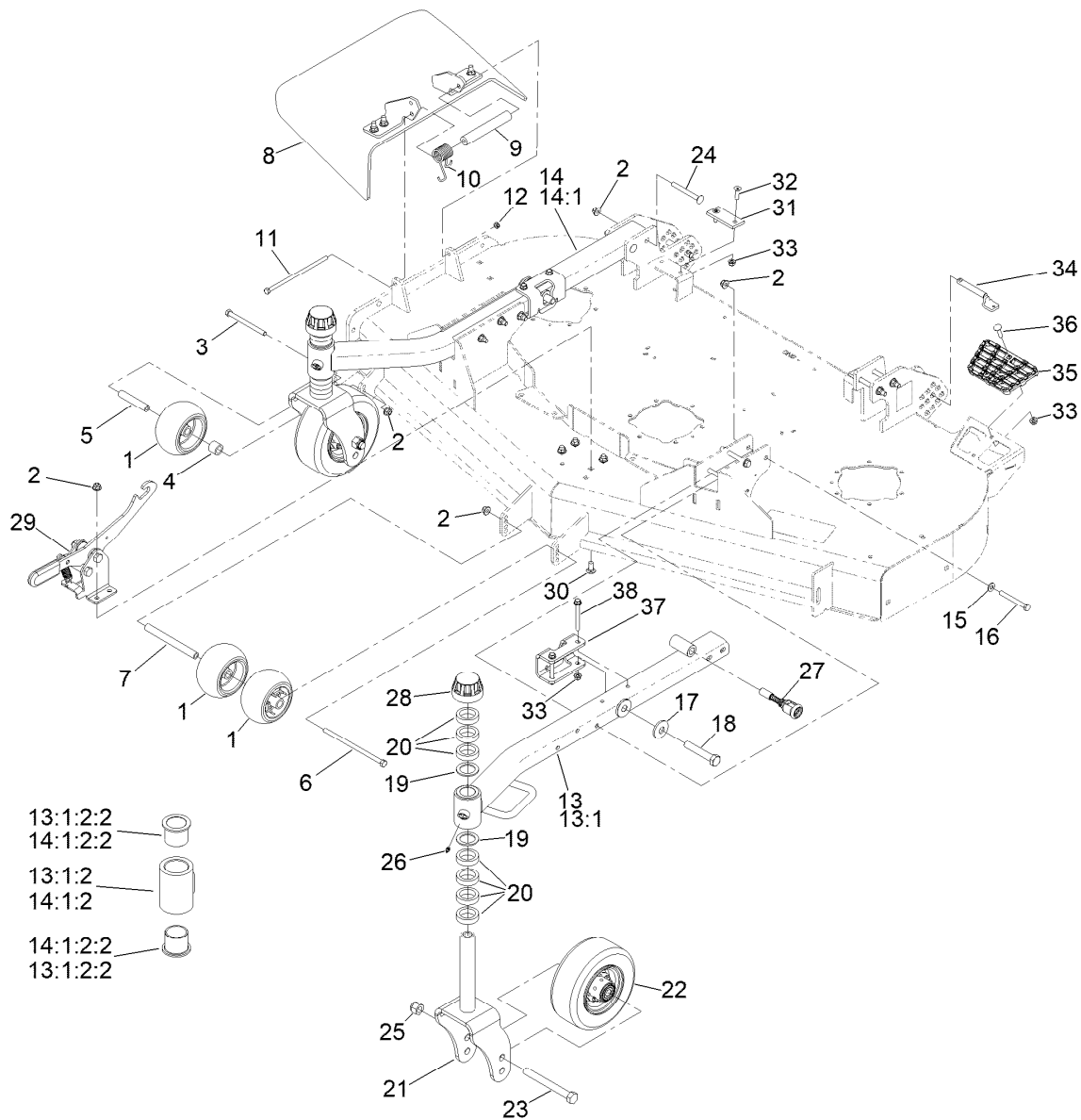
Ref.	Part Number	Qty.	Description
1	145-0941SP	1	Service Deck 60" Sd
2	106-3216-01	1	Baffle-Discharge
3	3231-27	9	Screw-CARR
4	104-8301	12	Nut-HF, NI
5	137-5918-01	1	Bracket-Skid
6	138-7322-01	1	Front-Baffle
7	138-6051-01	1	Plate-Baffle
8	94-7582	1	Bolt-Shoulder
9	112-1479	1	Skid-Bumper, Deck
10	3231-44	2	Screw-CARR



Deck Decal Assembly No. 145-0941SP

Ref.	Part Number	Qty.	Description
1		1	Service Deck 60"sd ●
1:2	147-2081	1	Decal-Danger, CE
1:3	120-6604	1	Decal-Danger
1:4	116-8283	1	Decal-Torque, Bolt
1:5	108-1990	1	Decal
1:6	127-0326	1	Decal-Scalp, Anti
1:7	131-1180	1	Decal-Adjustment, Baffle
1:8	137-5949	1	Decal-HOC
1:9	137-5946	1	Decal-HOC, RH
1:10	137-5945	1	Decal-HOC, LH
1:11	133-8061	1	Decal-Warning
1:12	137-8127	3	Decal-No Spray
1:13	144-7008	1	Decal-Service, Shut-Off

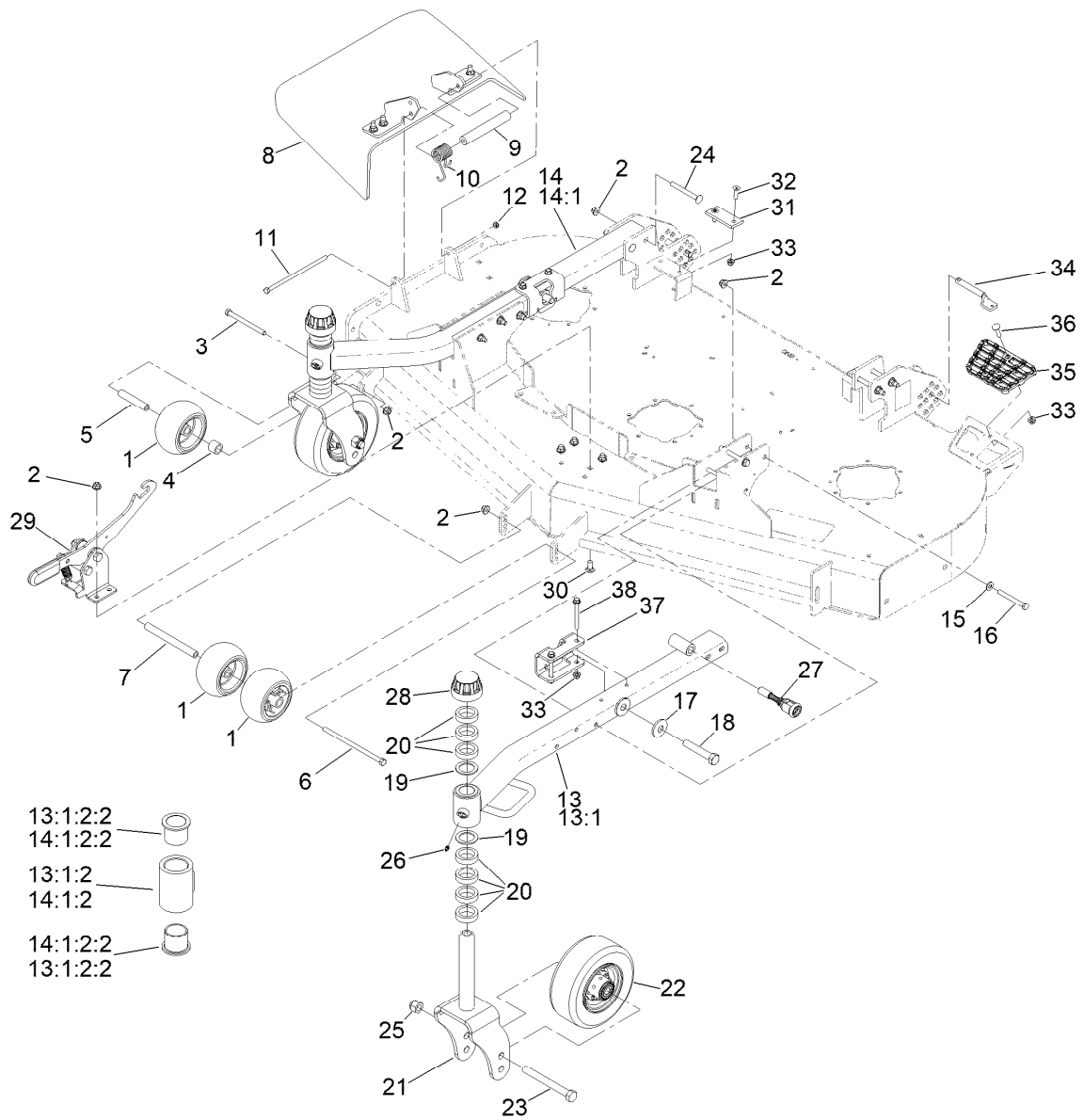
● Not serviced separately



Caster Wheel, Deflector and Latch Assembly

Ref.	Part Number	Qty.	Description	Ref.	Part Number	Qty.	Description
1	1-603299	3	Roller-Scalp, Anti	14:1:2		1	Hub ASM ●
2	104-8301	16	Nut-HF, NI	14:1:2:2	69-6470	2	Bushing-Caster
3	323-23	1	Screw-HH	15	3256-24	6	Washer-Plain
4	98-7913	1	Tube-Spacer	16	323-20	6	Screw-HH
5	98-7912	1	Tube-Spinner	17	103-0865	2	Washer-Blade Bolt, Heavy
6	108-5388	1	Screw-HH	18	139-6203	2	Screw-HH
7	98-5967	1	Spacer-Wheel	19	69-6860	4	Washer-Thrust
8	144-2635	1	Rubber Deflector ASM	20	69-1510	14	Spacer
9	105-4622	1	Spacer	21	137-2546-01	2	Fork-Caster
10	108-4052	1	Spring-Torsion	22	137-5529	2	Wheel ASM
11	322-50	1	Screw-HH	23	327-24	2	Screw-HH
12	3296-47	1	Nut-Lock,NI	24	3231-11	4	Screw-CARR
13	145-5901-01	1	LH Caster Arm ASM	25	3296-53	2	Nut-Lock, NI
13:1		1	Arm-Caster, LH ●	26	302-5	2	Fitting-Grease
13:1:2		1	Hub ASM ●	27	139-6345	1	Spring-Pin
13:1:2:2	69-6470	2	Bushing-Caster	28	92-9727	2	HOC Cap ASM
14	145-5902-01	1	RH Caster Arm ASM	29	147-0070	1	Latch ASM
14:1		1	Arm-Caster, RH ●	30	3231-27	4	Screw-CARR

● Not serviced separately

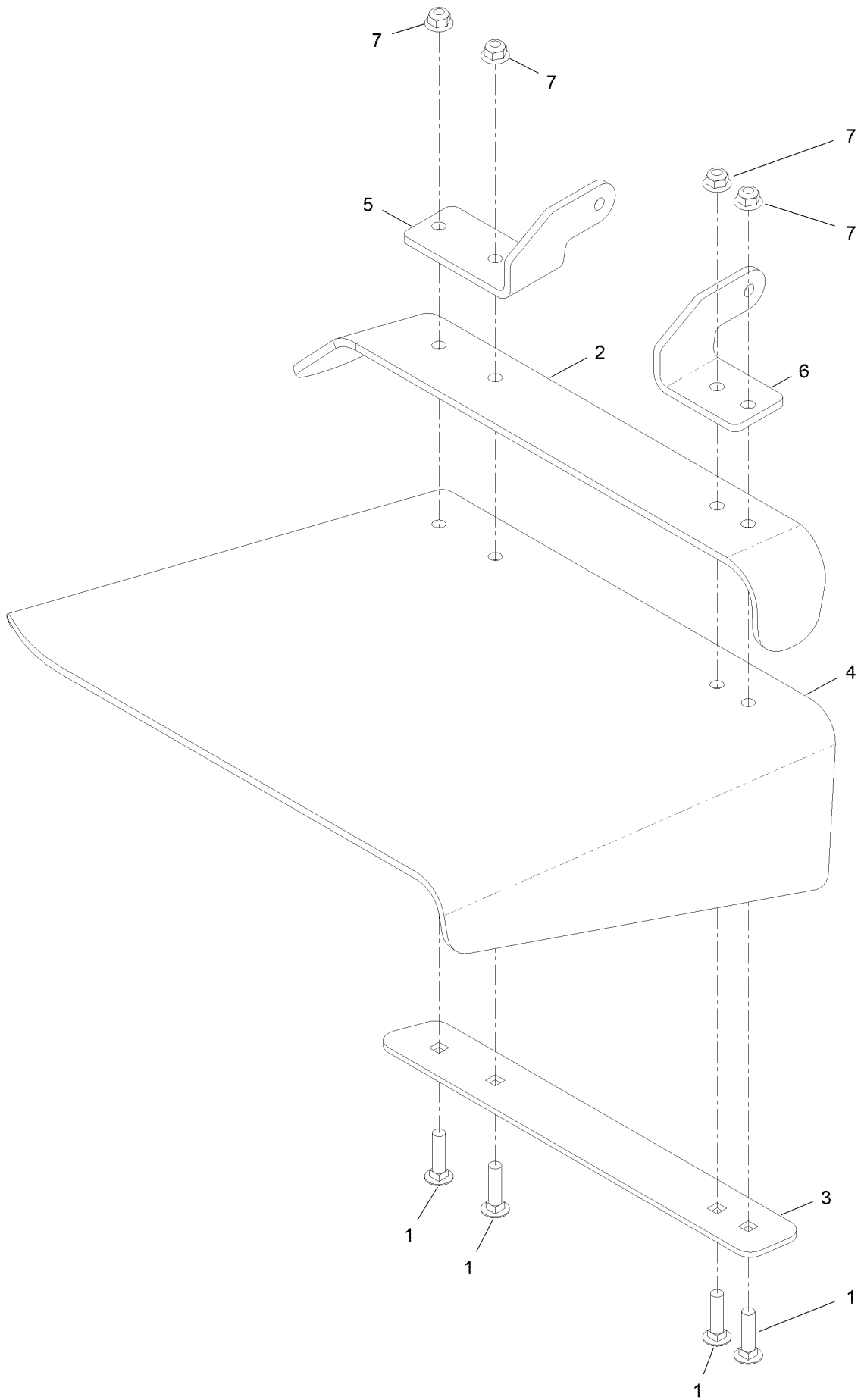


Caster Wheel, Deflector and Latch Assembly (continued)

Ref.	Part Number	Qty.	Description	Ref.	Part Number	Qty.	Description
31	138-4452	2	Pad-Stop, Deck	35	126-4781	1	Step-Deck
32	133-4543	4	Screw	36	3230-3	1	Screw-CARR
33	104-8300	9	Nut-HF, NI	37	144-4048-01	2	Channel-Deck Mount
34	140-3064	2	Pin-HOC ASM	38	126-4687	4	Screw-HHF

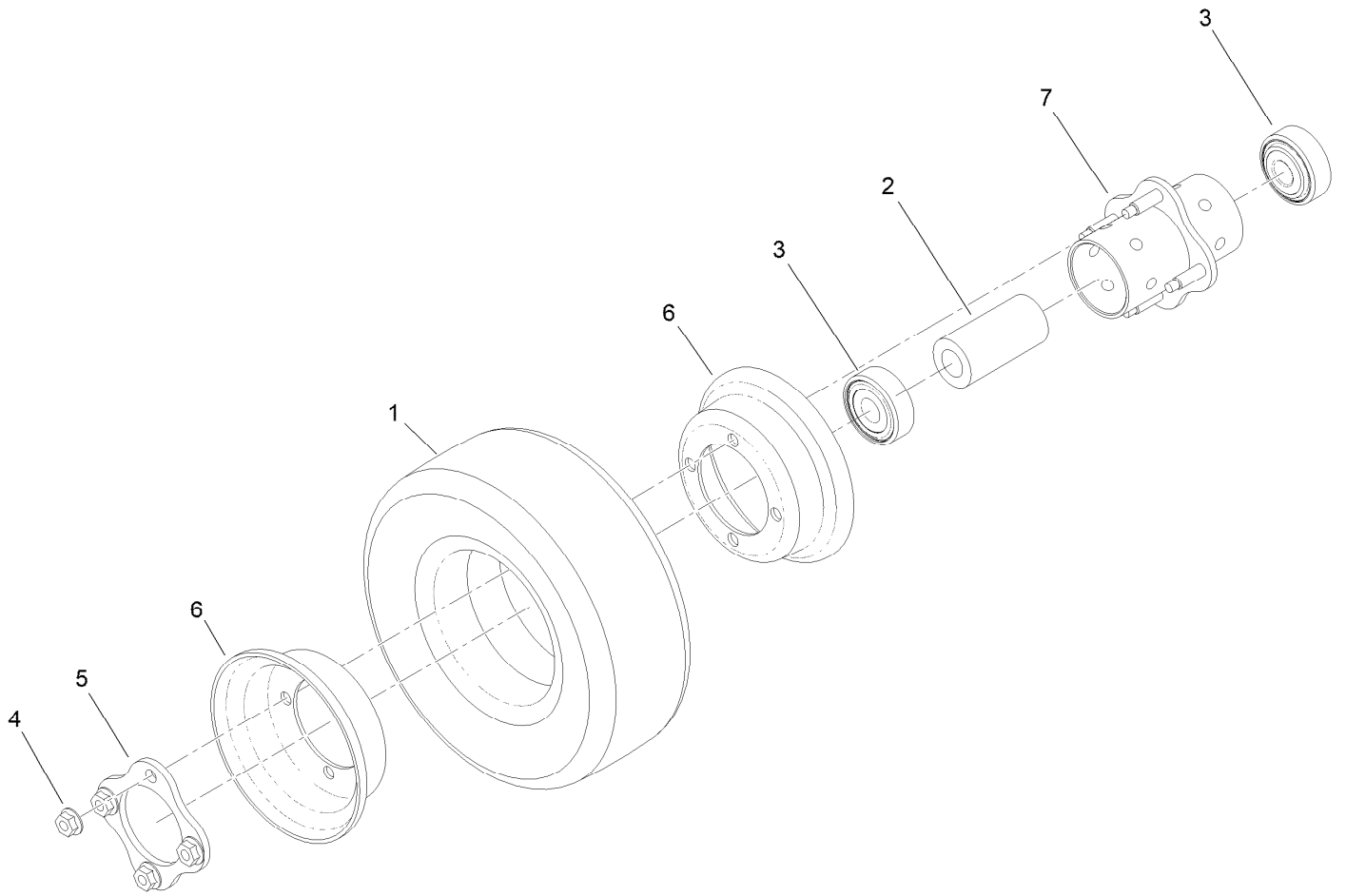
● Not serviced separately

Deflector Assembly No. 144-2635



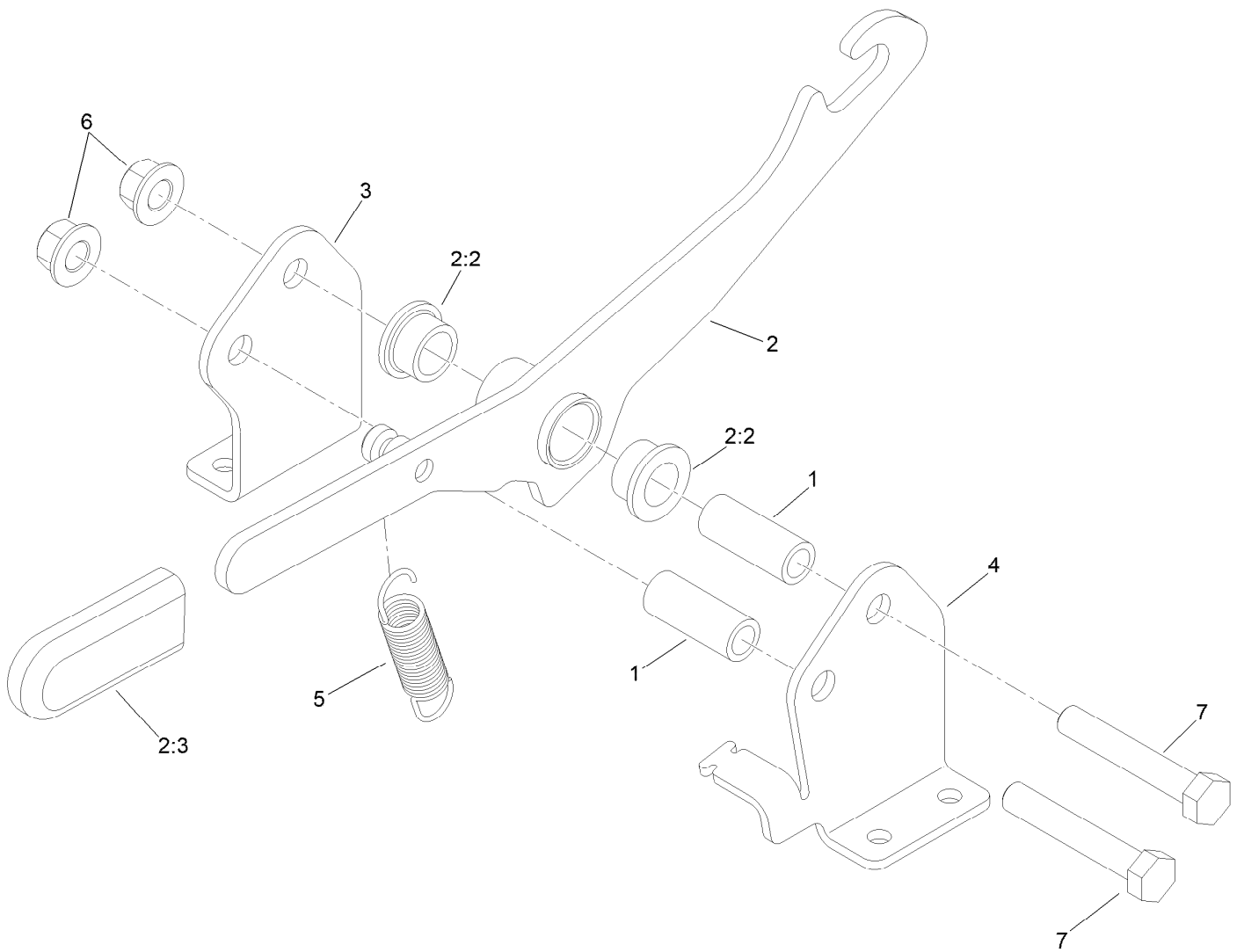
Deflector Assembly No. 144-2635 (continued)

<i>Ref.</i>	<i>Part Number</i>	<i>Qty.</i>	<i>Description</i>	<i>Ref.</i>	<i>Part Number</i>	<i>Qty.</i>	<i>Description</i>
1	3231-5	4	Screw-CARR	5	108-4059-01	1	Plate-Hinge, Rear
2	106-3246-01	1	Deflector	6	106-3253-01	1	Plate-Hinge, Front
3	106-3248-03	1	Strap-Discharge	7	104-8301	4	Nut-HF, NI
4	161-3464	1	Deflector-Deck, Rubber				



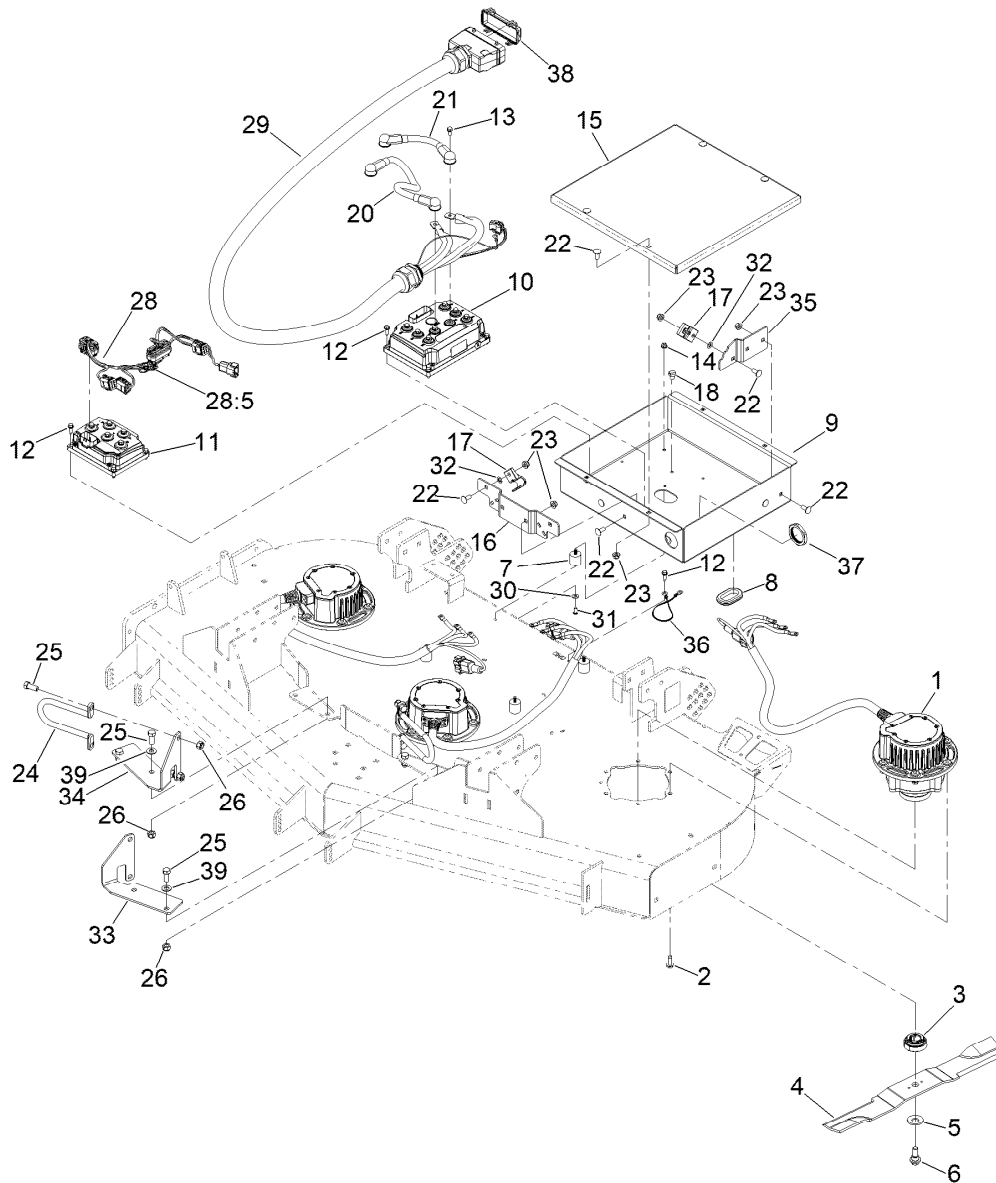
Wheel Assembly No. 137-5529

<i>Ref.</i>	<i>Part Number</i>	<i>Qty.</i>	<i>Description</i>
1	136-4424	1	Tire-Pneumatic, Semi
2	93-4241	1	Spacer-Bearing, Inner
3	120-3366	2	Bearing
4	32128-16	4	Nut-HHF
5	93-4242	1	Plate
6	137-5552	2	Rim-Wheel, Half
7	93-5980	1	Hub



Latch Assembly No. 147-0070

<i>Ref.</i>	<i>Part Number</i>	<i>Qty.</i>	<i>Description</i>
1	117-0380	2	Spacer
2	147-0066	1	Latch Arm ASM
2:2	93-2877	2	Bushing
2:3	119-1846	1	Grip
3	139-0889	1	Bracket-Latch, Mount (RH)
4	139-0887	1	Bracket-Latch, Mount (LH)
5	130-9645	1	Spring-Extension
6	99-5107	2	Nut-Lock
7	325-12	2	Screw-HH



Electrical Assembly

Ref.	Part Number	Qty.	Description	Ref.	Part Number	Qty.	Description
1	144-6868	3	Motor/Gen-48V, 3Kw	22	3230-23	11	Bolt-CARR
2	701243	18	Screw-Thd Roll, HWH	23	104-8300	11	Nut-HF, NI
3	145-3439	3	Retainer-Blade	24	105-5740	2	Hook-Lift (GR30/31X0)
4	145-1114	3	Blade-20.50 Low Flow	25	324-4	8	Screw-HH
5	125-1736	3	Washer-Belleville	26	3296-48	8	Nut-Hex
6	145-3499	3	Screw-Shoulder, HWH	28	122-2685	1	Harness-Wire, Deck, 60"
7	147-2089	4	Mount-Isolator	28:5	32180-282	1	Resistor-120 Ohm
8	240-2	3	Grommet-Rubber	29	122-2783	1	Harness-Wire, Implement
9	161-0812-01	1	Box-Controller	30	3256-1	4	Washer-Flat
10	138-8984	1	Inv/Ctrlr-48V,Dual 94Arms	31	135-6367	4	Screw-HSBH
11	145-7270	1	Inv/Ctrlr-48V	32	109-5667	3	Nut-Push
12	32144-44	9	Screw-HWH, Thread Roll	33	147-5095-01	1	Bracket-Cable LH
13	145-5782	13	Screw-Sems	34	147-5096-01	1	Bracket-Cable RH
14	104-7201	4	Nut-HF, NI	35	161-0845-01	1	Brkt-Cable
15	145-1071-01	1	Lid-Controller	36	122-3473	1	Cable-Strap, Braided
16	147-2071-01	1	Brkt-Cable	37	32180-563	1	Nut - Locknut, M40X1.5
17	145-6985	3	Mount-Cable	38	32180-609	1	Cover-Harting, Han 24B, Plastic
18	32180-030	1	Clip-Tie	39	3256-25	4	Washer-Flat
20	122-2957	1	Cable-Battery, Rd ASM				
21	122-2958	1	Cable-Battery, Bk ASM				

Notes:

Notes:

Notes:



Count on it.