



Count on it.

Parts Catalog

**21in Power Clear® Flex-Force
Power System™ 60V MAX
Snowthrower**

Model No. 39921—Serial No. 415600000 and Up



Ordering Replacement Parts

To order replacement parts, please supply the part number, the quantity, and the description of each part desired.

Understanding Reference Numbers

Each identified part in an illustration has a reference number. The reference number for a part also appears in the parts list, along with other information about the part.

This catalog uses two special reference number formats, one to indicate parts in a service assembly and another to indicate the quantity of a given part in an illustration.

Service Assembly Reference Numbers

Parts in service assemblies have reference numbers in the form a:b. The a represents the reference number of the entire service assembly and the b represents a sequential number unique to each part within the service assembly.

For example, a wheel assembly might be identified by reference number 6, the tire by 6:1, the valve by 6:2, and the wheel by 6:3. When you order the assembly identified by reference number 6, you receive all parts identified by reference numbers 6:1, 6:2, and 6:3. However, you may also order any part individually. Reference numbers of this type appear in illustration and in parts lists.

Reference Numbers Indicating Quantity

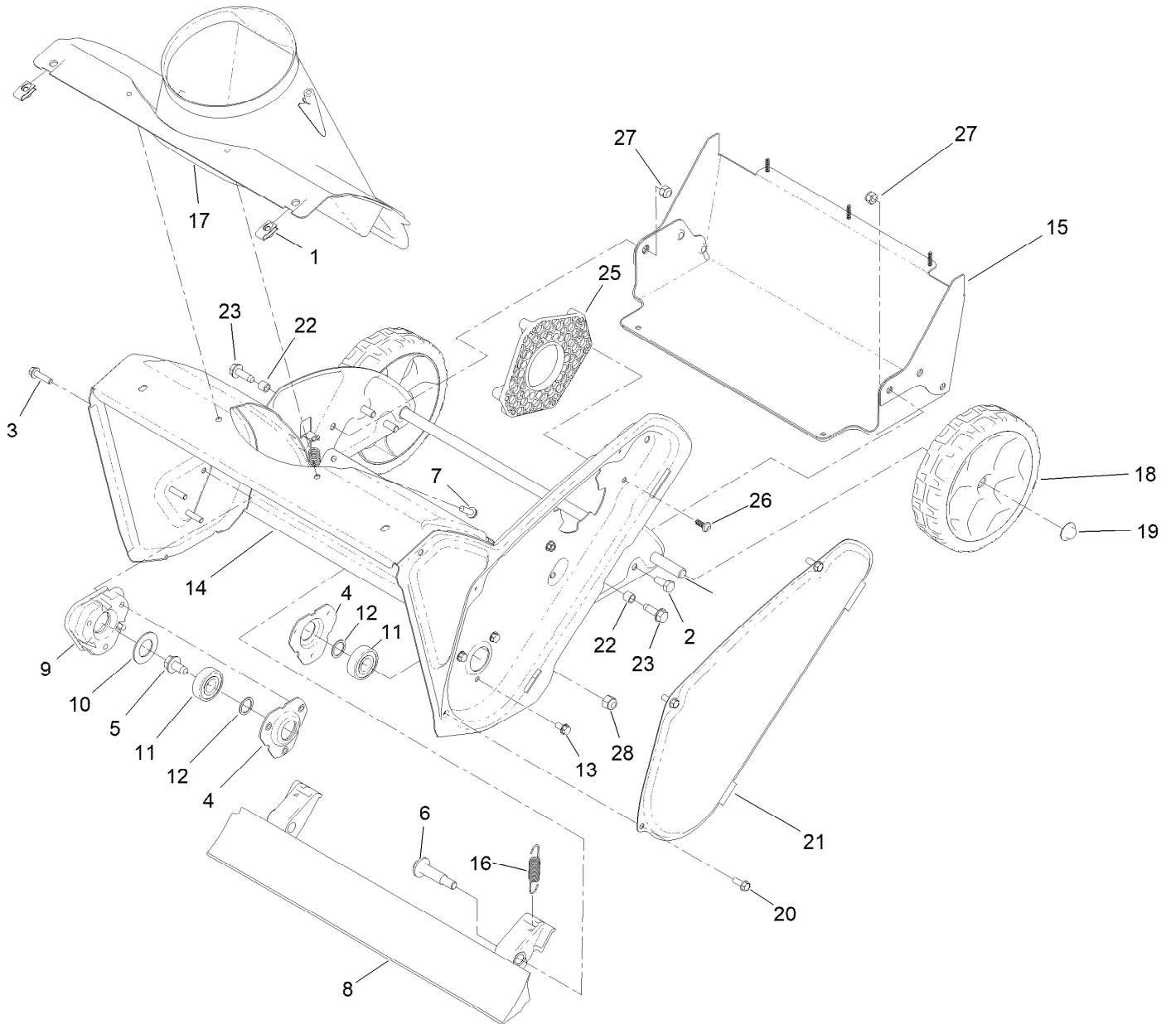
In an illustration, if a reference number indicates more than one part, the reference number has the form nX y. The n represents the quantity of the part, the X is the multiplication symbol, and the y represents the reference number.

For example, in an illustration, the reference number 2X 37 means that two of the parts identified by reference number 37 are indicated.

Contents

- Frame Assembly 4
- Rotor and Rotor Drive Assembly 6
- Motor and Controller Assembly 8
- Chute Assembly 10
- Handle and Control Assembly 12
- Attachments and Accessories 14

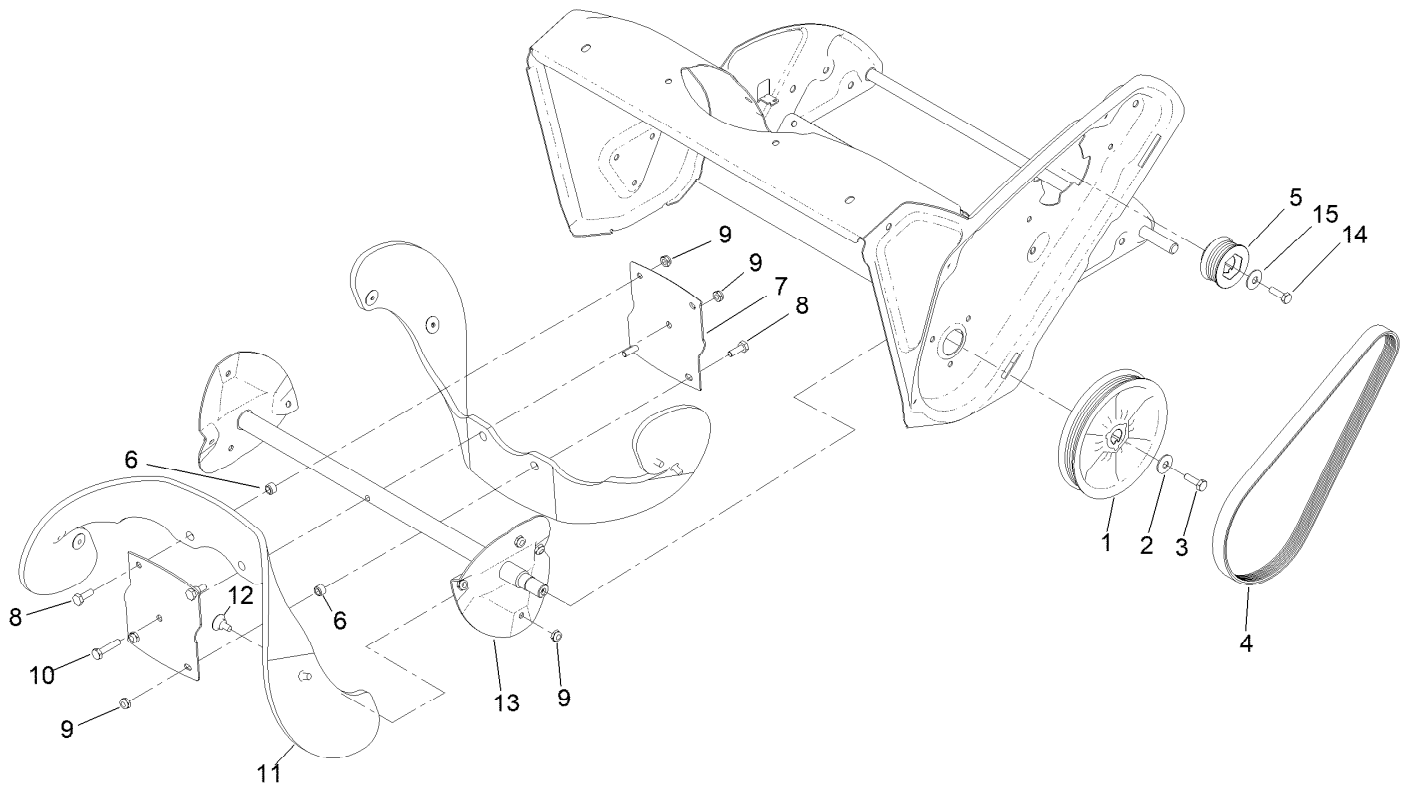
Frame Assembly



Frame Assembly (continued)

| <i>Ref.</i> | <i>Part Number</i> | <i>Qty.</i> | <i>Description</i> | <i>Ref.</i> | <i>Part Number</i> | <i>Qty.</i> | <i>Description</i> |
|-------------|--------------------|-------------|----------------------------|-------------|--------------------|-------------|--------------------|
| 1 | 107069 | 2 | Clip | 15 | 144-5855 | 1 | Support, Large |
| 2 | 137-3052 | 4 | Screw-HH | 16 | 147-9464 | 2 | Spring-Extension |
| 3 | 32144-86 | 3 | Screw-HWHTF | 17 | 108-4871 | 1 | Chute-Lower |
| 4 | 136-7134 | 2 | Flange-Bearing | 18 | 138-8783 | 2 | Wheel ASM, 7 Inch |
| 5 | 110-9380 | 1 | Screw-HWH | 19 | 32112-14 | 2 | Nut-Push |
| 6 | 136-7198 | 2 | Bolt-Shoulder | 20 | 32144-85 | 3 | Screw-HWH Thd Form |
| 7 | 46-8091 | 3 | Screw-HWH | 21 | 108-4893-03 | 1 | Cover-Belt |
| 8 | 161-0963 | 1 | Blade-Scraper, Pc21 | 22 | 136-7148 | 2 | Spacer-Grommet |
| 9 | 114-3781 | 1 | Spacer-Bearing, RH | 23 | 130-9795 | 2 | Screw-HWHTF |
| 10 | 110-9353 | 1 | Washer-Rubber | 25 | 147-6555 | 1 | Mount - Motor |
| 11 | 38-7820 | 2 | Bearing-Ball | 26 | 138-5775 | 3 | Screw-Delta Point |
| 12 | 52-7280 | 2 | Washer-Thrust | 27 | 3296-72 | 6 | Nut-Lock, NI |
| 13 | 32144-4 | 3 | Screw-HWH | 28 | 137-3087 | 2 | Nut-Hex |
| 14 | 144-5865-03 | 1 | Housing Rotor, ASM [black] | | | | |

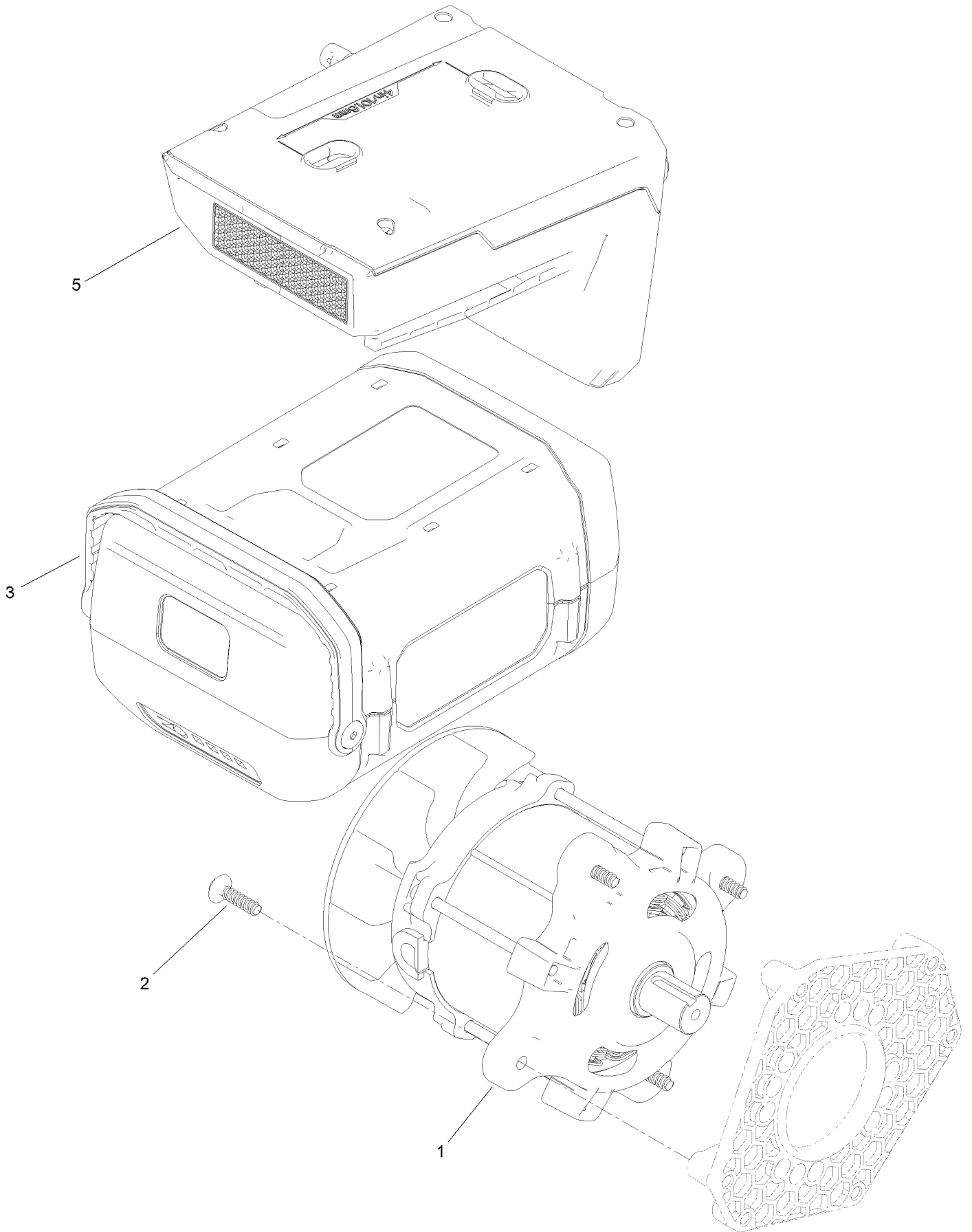
Rotor and Rotor Drive Assembly



Rotor and Rotor Drive Assembly (continued)

| <i>Ref.</i> | <i>Part Number</i> | <i>Qty.</i> | <i>Description</i> | <i>Ref.</i> | <i>Part Number</i> | <i>Qty.</i> | <i>Description</i> |
|-------------|--------------------|-------------|------------------------|-------------|--------------------|-------------|--------------------|
| 1 | 138-8720 | 1 | Pulley-Rotor | 9 | 3296-56 | 13 | Nut-Lock, NI |
| 2 | 3290-456 | 1 | Washer-Belleville | 10 | 321-8 | 1 | Screw-HH |
| 3 | 140-1002 | 1 | Screw-HH,Patch | 11 | 161-2170 | 2 | Blade-Rotor |
| 4 | 147-1769 | 1 | Belt-V, Ribbed Stretch | 12 | 84-1971 | 8 | Screw |
| 5 | 147-1760 | 1 | Pulley-Driver (Mach) | 13 | 131-6488-03 | 1 | Rotor |
| 6 | 55-9370 | 4 | Spacer-Blade, Rotor | 14 | 3211-4 | 1 | Screw-HH |
| 7 | 66-6600-03 | 2 | Half-Rotor | 15 | 108-1438 | 1 | Washer-Hardened |
| 8 | 321-4 | 4 | Screw-HH | | | | |

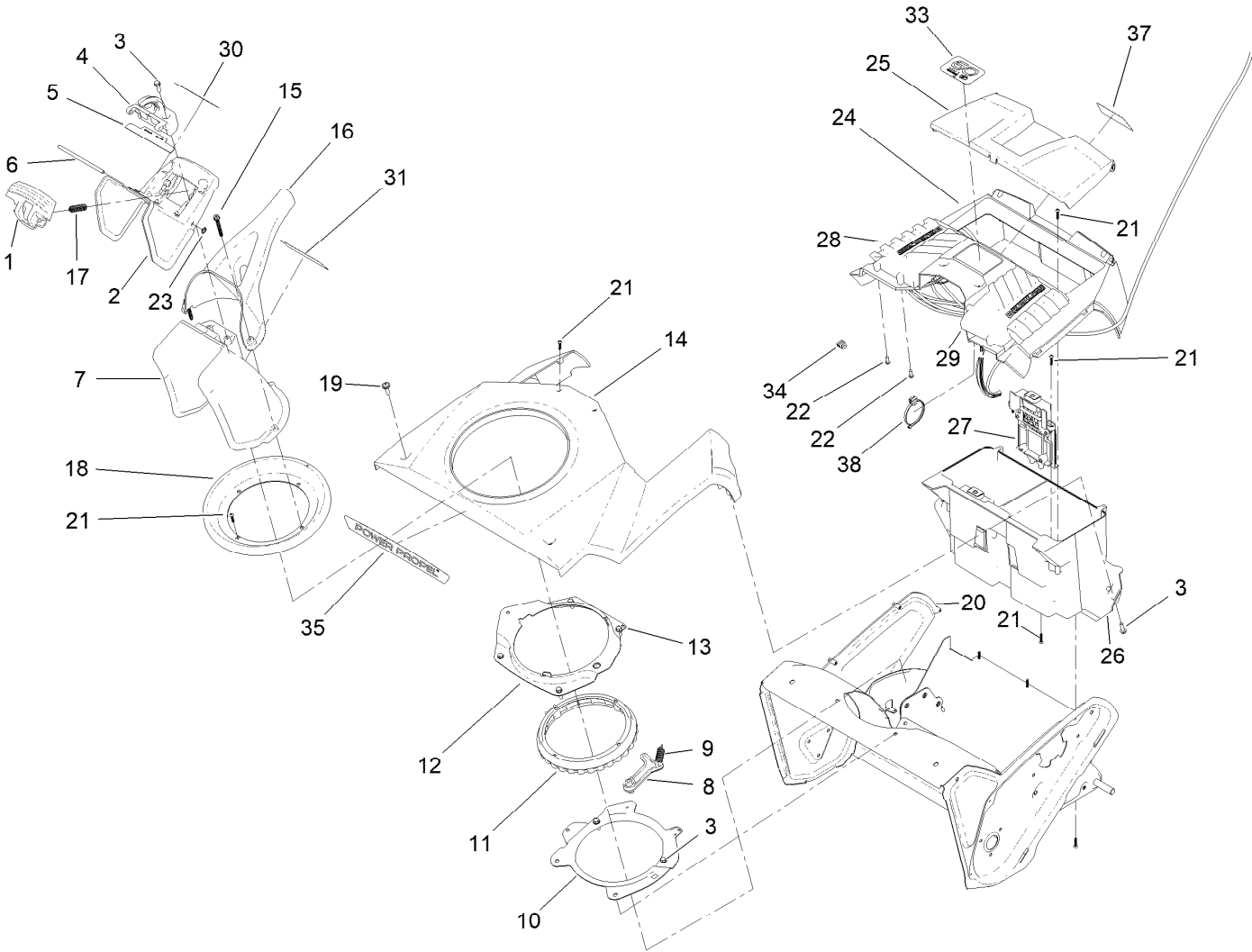
Motor and Controller Assembly



Motor and Controller Assembly (continued)

| <i>Ref.</i> | <i>Part Number</i> | <i>Qty.</i> | <i>Description</i> | <i>Ref.</i> | <i>Part Number</i> | <i>Qty.</i> | <i>Description</i> |
|-------------|--------------------|-------------|--------------------|-------------|--------------------|-------------|-----------------------------------|
| 1 | 147-1766 | 1 | Motor- E21Sp | 3 | 66810 | 1 | Battery-Li-Ion, 60V 10 Ah, Dom |
| 2 | 120-2349 | 4 | Screw | 5 | 137-9440 | 1 | Charger-60V |

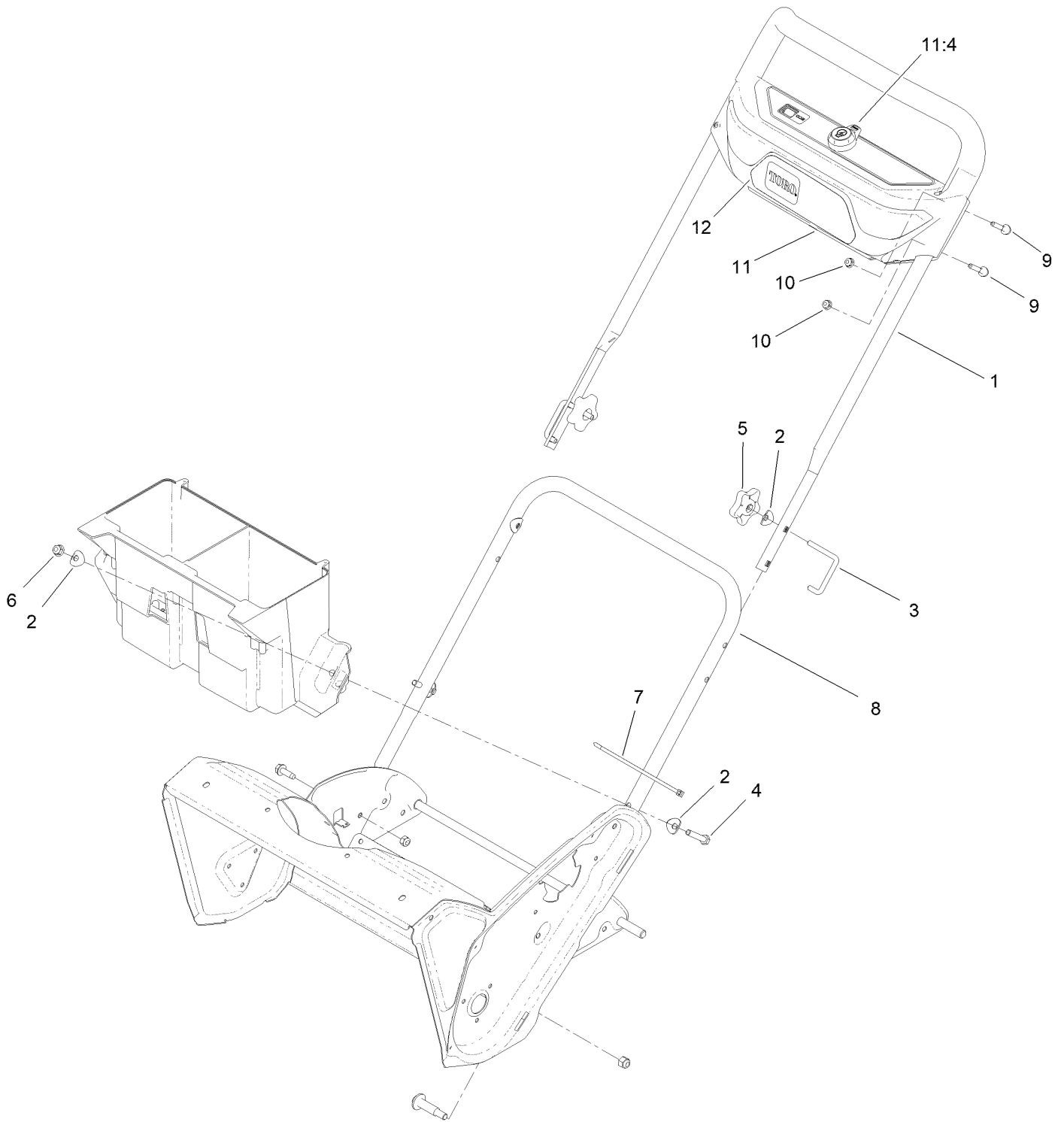
Chute Assembly



Chute Assembly (continued)

| <i>Ref.</i> | <i>Part Number</i> | <i>Qty.</i> | <i>Description</i> | <i>Ref.</i> | <i>Part Number</i> | <i>Qty.</i> | <i>Description</i> |
|-------------|--------------------|-------------|--------------------------|-------------|--------------------|-------------|-------------------------------------|
| 1 | 108-4941 | 1 | Trigger-Deflector | 21 | 94-4496 | 18 | Screw-PPH |
| 2 | 147-1796 | 1 | Deflector-Chute, | 22 | 3250-12 | 6 | Screw-PPH |
| 3 | 46-8091 | 8 | Screw-HWH | 23 | 104-8310 | 1 | Ring-Retaining |
| 4 | 108-4942 | 1 | Hinge-Ratchet, Deflector | 24 | 161-0971 | 1 | Cover-Housing |
| 5 | 114-3790 | 1 | Seal-Deflector | 25 | 144-4147 | 1 | Cover-Battery Bucket |
| 6 | 136-8672 | 1 | Pin-Hinge, Deflector | 26 | 144-5856 | 1 | Battery Bucket |
| 7 | 108-4939 | 1 | Chute | 27 | 147-1788 | 2 | Battery Track ASM (60A) |
| 8 | 108-4926 | 1 | Pawl-Detent | 28 | 161-2150 | 1 | Parallel Module-Controller E21Sp |
| 9 | 80-4600 | 1 | Spring-Extension | 29 | 161-2149 | 1 | Motor Controller- E21Sp |
| 10 | 108-4883-03 | 1 | Ring-Support, Chute | 30 | 147-9420 | 1 | Decal-Danger |
| 11 | 108-4922 | 1 | Ring-Chute, Detent | 31 | 114-9035 | 1 | Decal-Danger, Discharge |
| 12 | 108-4874-03 | 1 | Retainer-Ring, Chute | 33 | 145-8255 | 1 | Decal - 60V Powerhead, E21Sp |
| 13 | 32144-85 | 3 | Screw-HWH Thd Form | 34 | 32180-226 | 1 | Clip-Edge, Perpendicular W/Tie |
| 14 | 144-4146 | 1 | Shroud | 35 | 145-8266 | 1 | Decal - Power Propel |
| 15 | 114-3751 | 3 | Screw-HWH, Plastite | 37 | 147-1787 | 1 | Decal-Battery Bucket |
| 16 | 110-9366 | 1 | Handle-Chute | 38 | 32180-225 | 1 | Clip-Edge, Parallel W/Tie |
| 17 | 136-7136 | 2 | Spring-Compression | | | | |
| 18 | 114-3772 | 1 | Seal-Ring, Chute | | | | |
| 19 | 110-9361 | 2 | Screw-PPH | | | | |
| 20 | 138-8754 | 1 | Cover-Side | | | | |

Handle and Control Assembly



Handle and Control Assembly (continued)

| <i>Ref.</i> | <i>Part Number</i> | <i>Qty.</i> | <i>Description</i> | <i>Ref.</i> | <i>Part Number</i> | <i>Qty.</i> | <i>Description</i> |
|-------------|--------------------|-------------|----------------------|-------------|--------------------|-------------|----------------------------------|
| 1 | 147-1756 | 1 | Handle Bar-Upper ASM | 8 | 144-5868-03 | 1 | Handle-Lower |
| 2 | 137-3009 | 6 | Washer-Cup | 9 | 117-7737 | 4 | Screw-Handle |
| 3 | 136-7130 | 2 | Lock-Handle | 10 | 104-7201 | 4 | Nut-HF, NI |
| 4 | 125-7944 | 2 | Screw-HH | 11 | 161-2158 | 1 | Dash Panel Assembly, 60V Snow |
| 5 | 114-3779 | 2 | Knob-Handle | 11:4 | 139-5255 | 1 | Key-Bail |
| 6 | 130-6655 | 2 | Nut-Flange, NI | 12 | 145-8254 | 1 | Decal - Console |
| 7 | 614249 | 1 | Tie-Cable | | | | |

Attachments and Accessories

For 39921 21in Power Clear Flex-Force Power System 60V MAX Snowthrower

| Product Name | Model/Part |
|---|-------------------|
| 60V Battery Charger 2 AMP | 88602 |
| 60V Rapid Battery Charger 5.4 AMP | 88605 |
| 60V Battery Charger 1 AMP | 88610 |
| 60V Battery 2.0 AH | 88620 |
| 60V LI-ION Battery 2.5 AH..... | 88625 |
| 60V LI-ION, Battery 4.0 AH | 88640 |
| 60V LI-ION Battery 5.0 AH..... | 88650 |
| 60V LI-ION Battery 6.0 AH..... | 88660 |
| 60V LI-ION Battery 7.5 AH..... | 88675 |

Notes:



Count on it.