



Count on it.

Parts Catalog

**21in Power Clear[®] Flex-Force
Power System[™] 60V MAX
Snowthrower**

Model No. 39921—Serial No. 400000000 and Up



Ordering Replacement Parts

To order replacement parts, please supply the part number, the quantity, and the description of each part desired.

Understanding Reference Numbers

Each identified part in an illustration has a reference number. The reference number for a part also appears in the parts list, along with other information about the part.

This catalog uses two special reference number formats, one to indicate parts in a service assembly and another to indicate the quantity of a given part in an illustration.

Service Assembly Reference Numbers

Parts in service assemblies have reference numbers in the form a:b. The a represents the reference number of the entire service assembly and the b represents a sequential number unique to each part within the service assembly.

For example, a wheel assembly might be identified by reference number 6, the tire by 6:1, the valve by 6:2, and the wheel by 6:3. When you order the assembly identified by reference number 6, you receive all parts identified by reference numbers 6:1, 6:2, and 6:3. However, you may also order any part individually. Reference numbers of this type appear in illustration and in parts lists.

Reference Numbers Indicating Quantity

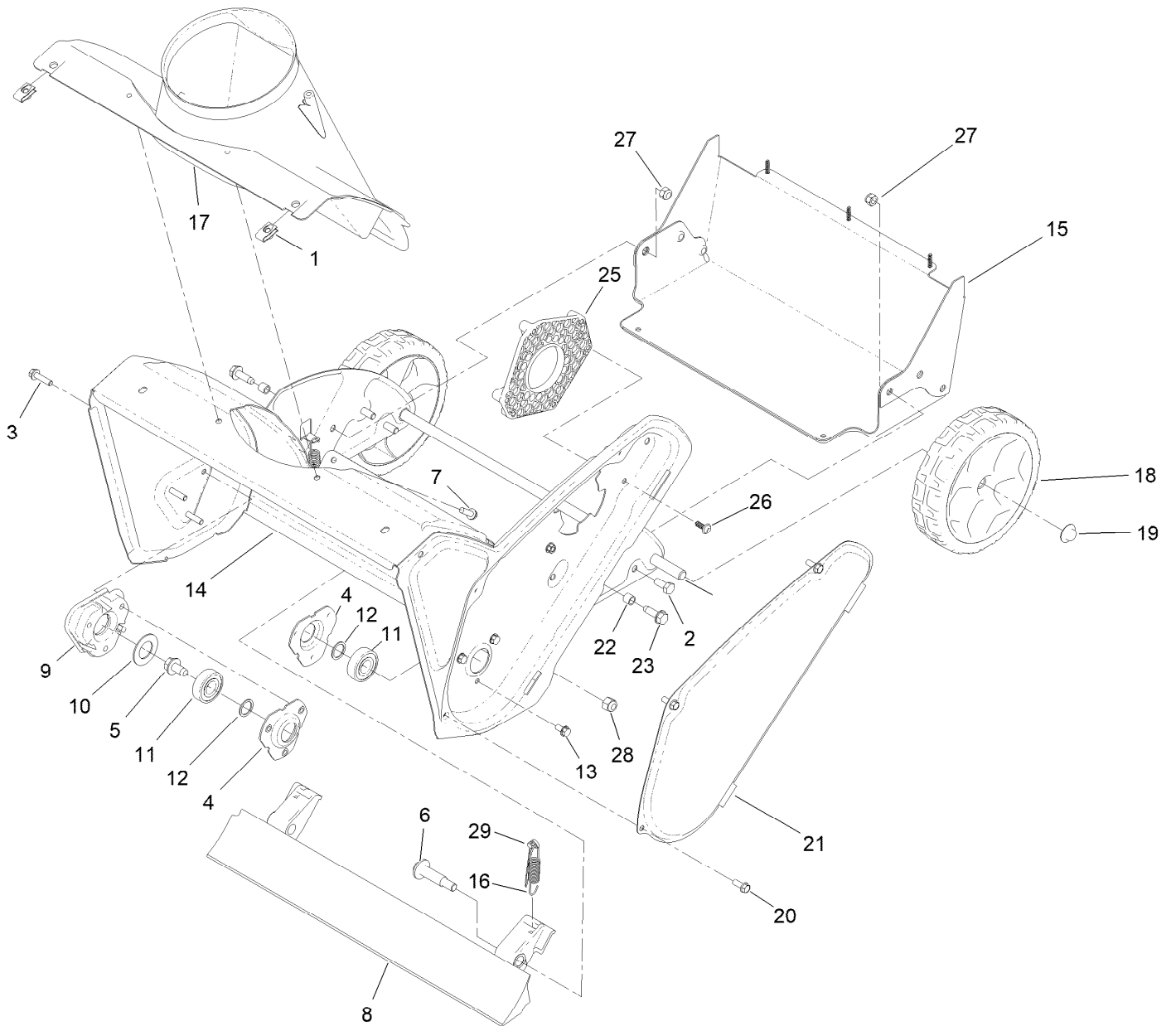
In an illustration, if a reference number indicates more than one part, the reference number has the form nX y. The n represents the quantity of the part, the X is the multiplication symbol, and the y represents the reference number.

For example, in an illustration, the reference number 2X 37 means that two of the parts identified by reference number 37 are indicated.

Contents

Frame Assembly	4
Rotor and Rotor Drive Assembly	6
Motor and Controller Assembly	8
Chute Assembly	10
Handle and Control Assembly	12
Attachments and Accessories	14

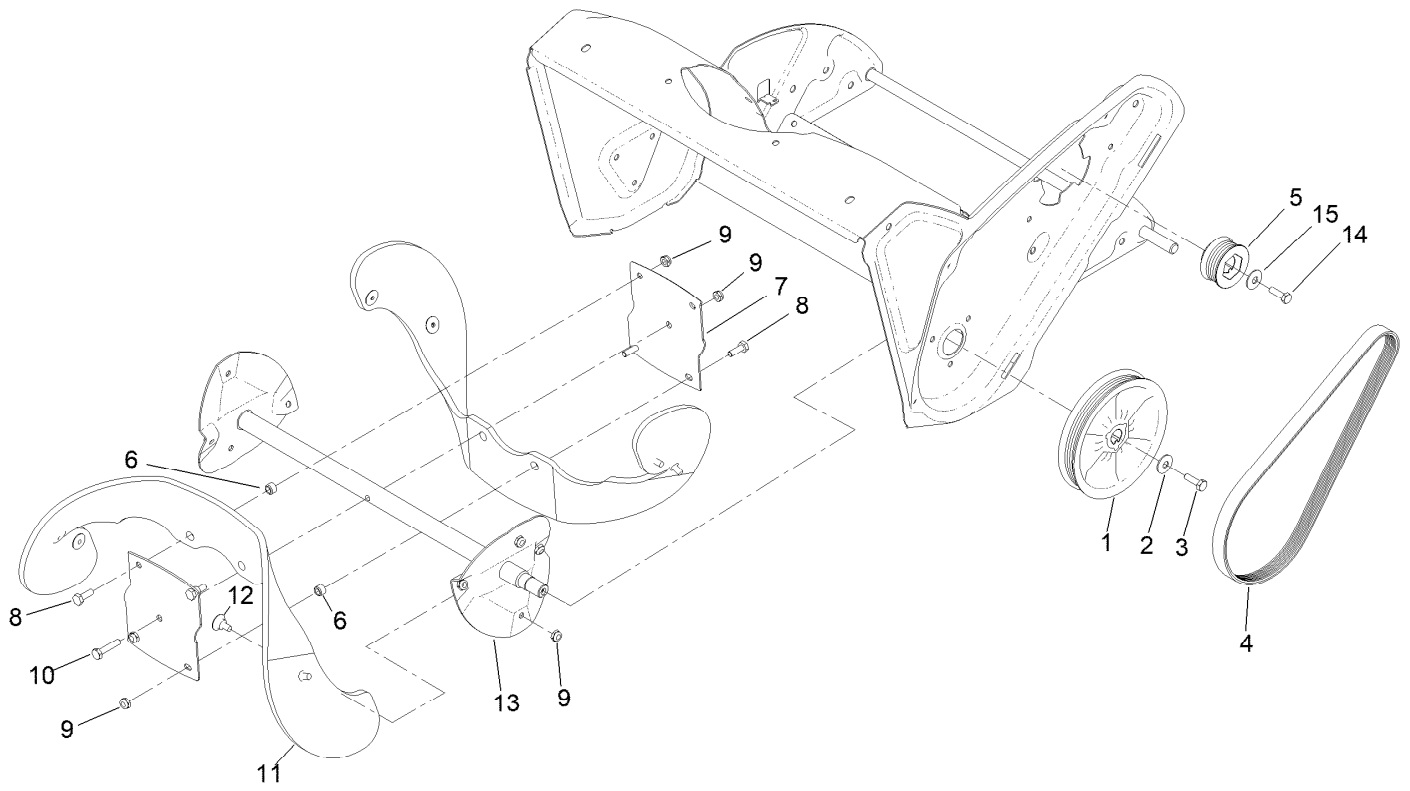
Frame Assembly



Frame Assembly (continued)

<i>Ref.</i>	<i>Part Number</i>	<i>Qty.</i>	<i>Description</i>	<i>Ref.</i>	<i>Part Number</i>	<i>Qty.</i>	<i>Description</i>
1	107069	2	Clip	15	144-5855	1	Support, Large
2	137-3052	4	Screw-HH	16	108-4906	2	Spring-Extension
3	32144-86	3	Screw-HWHTF	17	108-4871	1	Chute-Lower
4	136-7134	2	Flange-Bearing	18	138-8783	2	Wheel ASM, 7 Inch
5	110-9380	1	Screw-HWH	19	32112-14	2	Nut-Push
6	136-7198	2	Bolt-Shoulder	20	32144-85	3	Screw-HWH Thd Form
7	46-8091	3	Screw-HWH	21	108-4893-03	1	Cover-Belt
8	133-5585	1	Blade-Scraper	22	136-7148	2	Spacer-Grommet
9	114-3781	1	Spacer-Bearing, RH	23	130-9795	2	Screw-HWHTF
10	110-9353	1	Washer-Rubber	25	147-6555	1	Mount - Motor
11	38-7820	2	Bearing-Ball	26	138-5775	3	Screw-Delta Point
12	52-7280	2	Washer-Thrust	27	3296-72	6	Nut-Lock, NI
13	32144-4	3	Screw-HWH	28	137-3087	2	Nut-Hex
14	144-5865-03	1	Housing Rotor, ASM [black]	29	3290-381	2	Tie-Cable

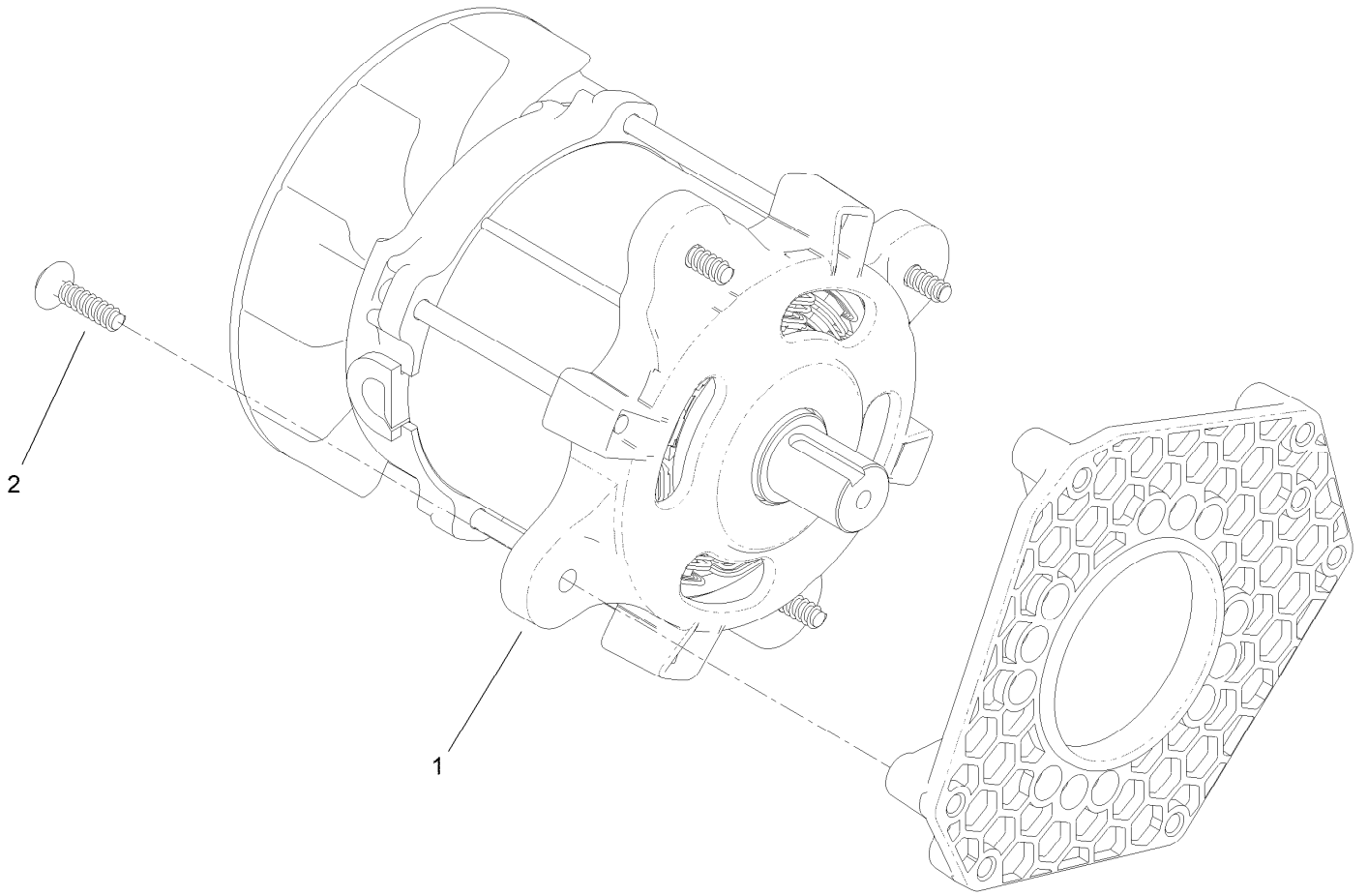
Rotor and Rotor Drive Assembly



Rotor and Rotor Drive Assembly (continued)

<i>Ref.</i>	<i>Part Number</i>	<i>Qty.</i>	<i>Description</i>	<i>Ref.</i>	<i>Part Number</i>	<i>Qty.</i>	<i>Description</i>
1	138-8720	1	Pulley-Rotor	9	3296-56	13	Nut-Lock, NI
2	3290-456	1	Washer-Belleville	10	321-8	1	Screw-HH
3	140-1002	1	Screw-HH,Patch	11	161-2170	2	Blade-Rotor
4	147-1769	1	Belt-V, Ribbed Stretch	12	84-1971	8	Screw
5	147-1760	1	Pulley-Driver (Mach)	13	131-6488-03	1	Rotor
6	55-9370	4	Spacer-Blade, Rotor	14	3211-4	1	Screw-HH
7	66-6600-03	2	Half-Rotor	15	108-1438	1	Washer-Hardened
8	321-4	4	Screw-HH				

Motor and Controller Assembly

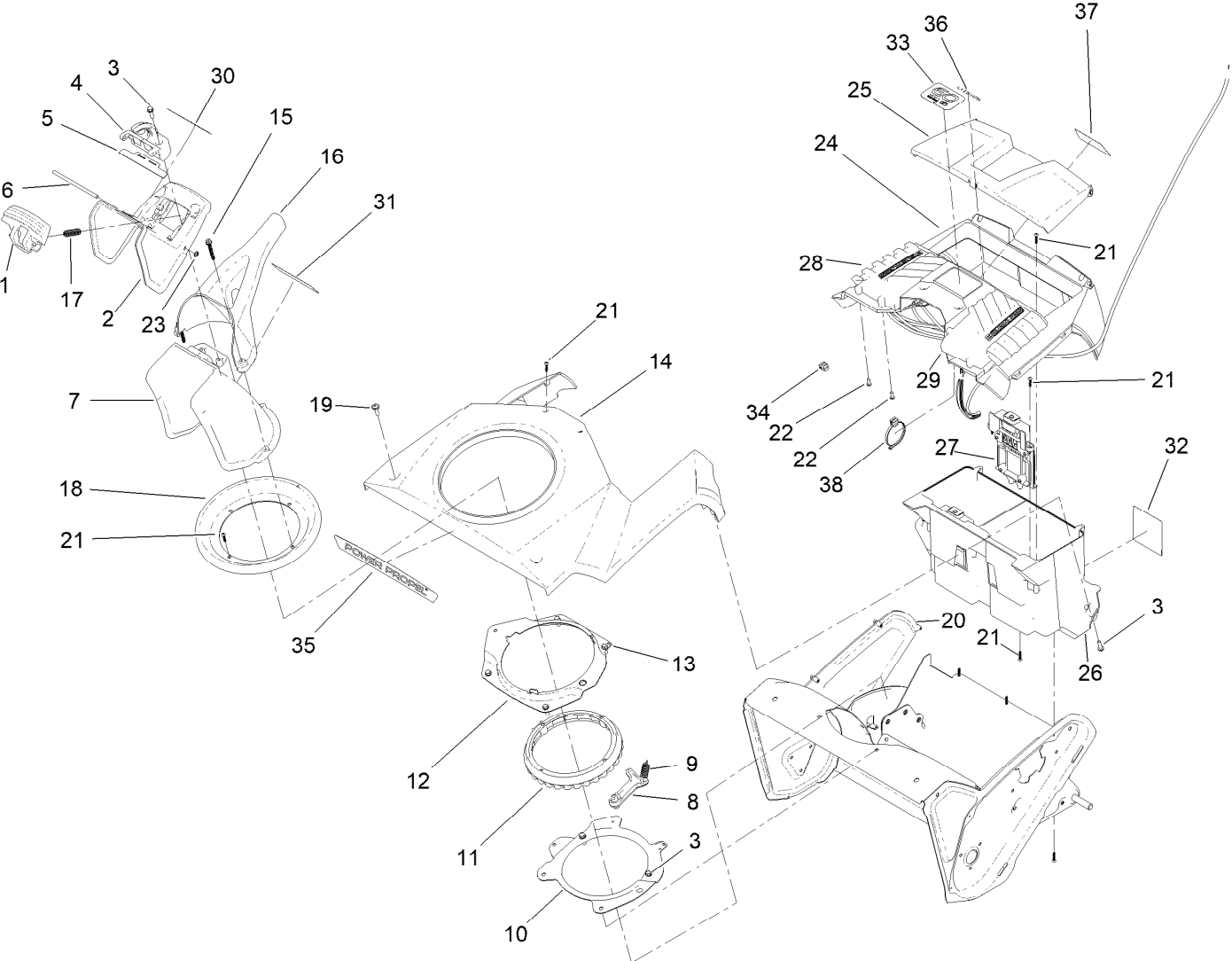


Motor and Controller Assembly (continued)

<i>Ref.</i>	<i>Part Number</i>	<i>Qty.</i>	<i>Description</i>	<i>Ref.</i>	<i>Part Number</i>	<i>Qty.</i>	<i>Description</i>
1	147-1766	1	Motor- E21Sp	4	88625	1	Battery-Li Ion, 60V 2.5Ah, 135Wh ●
2	120-2349	4	Screw	5	137-9440	1	Charger-60V ●
3	137-9449	1	Battery-Li-Ion, 60V 7.5Ah, Prod ●				

● Not illustrated

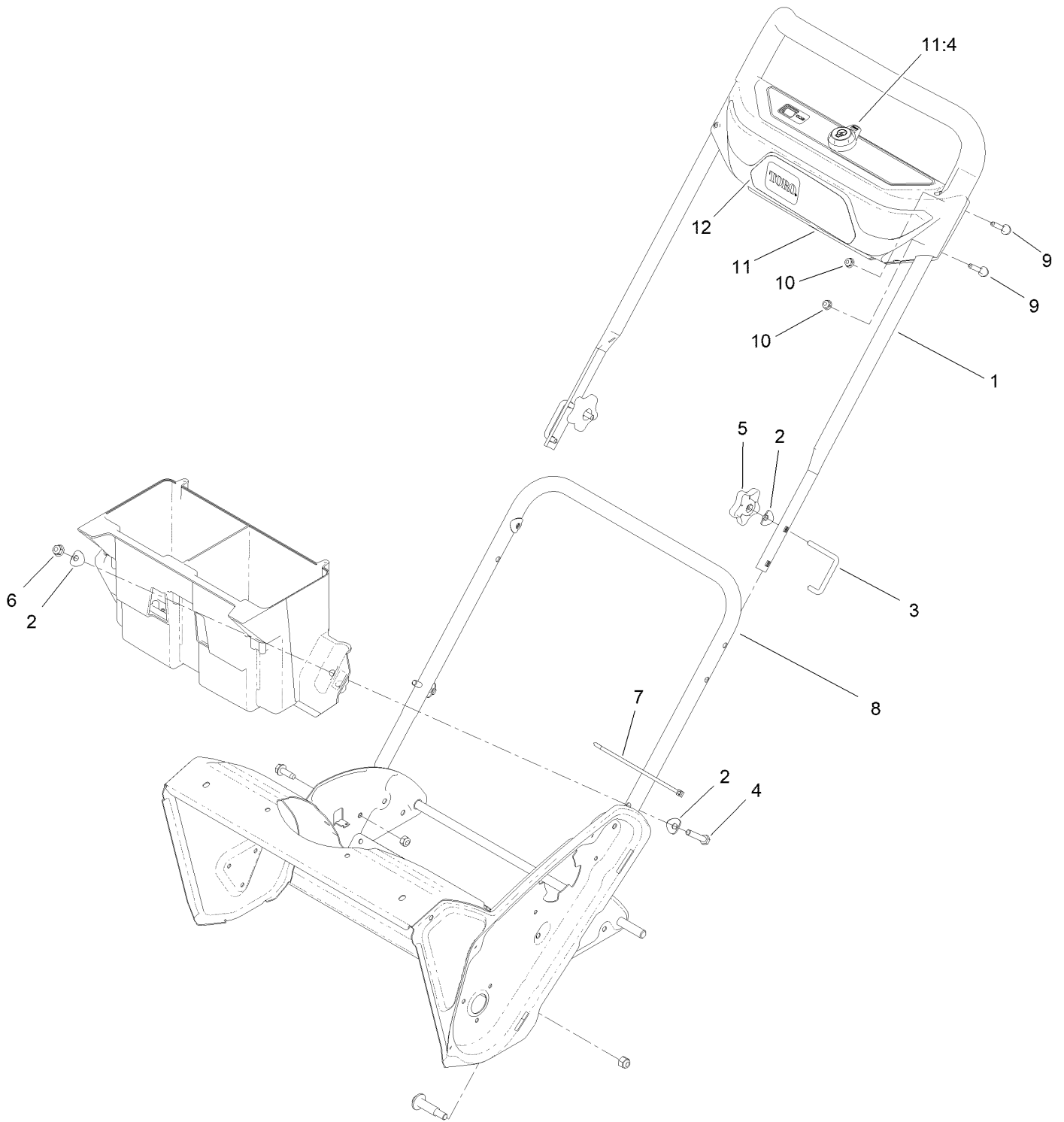
Chute Assembly



Chute Assembly (continued)

<i>Ref.</i>	<i>Part Number</i>	<i>Qty.</i>	<i>Description</i>	<i>Ref.</i>	<i>Part Number</i>	<i>Qty.</i>	<i>Description</i>
1	108-4941	1	Trigger-Deflector	22	3250-12	6	Screw-PPH
2	147-1796	1	Deflector-Chute,	23	104-8310	1	Ring-Retaining
3	46-8091	8	Screw-HWH	24	144-4144	1	Cover-Housing
4	108-4942	1	Hinge-Ratchet, Deflector	25	144-4147	1	Cover-Battery Bucket
5	114-3790	1	Seal-Deflector	26	144-5856	1	Battery Bucket
6	136-8672	1	Pin-Hinge, Deflector	27	147-1788	2	Battery Track ASM (60A)
7	108-4939	1	Chute	28	147-1773	1	Parallel Module-Controller E21Sp
8	108-4926	1	Pawl-Detent	29	147-1774	1	Motor Controller- E21Sp
9	80-4600	1	Spring-Extension	30	94-8072	1	Decal-Danger
10	108-4883-03	1	Ring-Support, Chute	31	114-9035	1	Decal-Danger, Discharge
11	108-4922	1	Ring-Chute, Detent	32	147-6558	1	Decal-Model/Serial
12	108-4874-03	1	Retainer-Ring, Chute	33	145-8255	1	Decal - 60V Powerhead, E21Sp
13	32144-85	3	Screw-HWH Thd Form	34	32180-226	1	Clip-Edge, Perpendicular W/Tie
14	144-4146	1	Shroud	35	145-8266	1	Decal - Power Propel
15	114-3751	3	Screw-HWH, Plastite	36	147-1797	1	Decal-Lithium
16	110-9366	1	Handle-Chute	37	147-1787	1	Decal-Battery Bucket
17	136-7136	2	Spring-Compression	38	32180-225	1	Clip-Edge, Parallel W/Tie
18	114-3772	1	Seal-Ring, Chute				
19	110-9361	2	Screw-PPH				
20	138-8754	1	Cover-Side				
21	94-4496	18	Screw-PPH				

Handle and Control Assembly



Handle and Control Assembly (continued)

<i>Ref.</i>	<i>Part Number</i>	<i>Qty.</i>	<i>Description</i>	<i>Ref.</i>	<i>Part Number</i>	<i>Qty.</i>	<i>Description</i>
1	147-1756	1	Handle Bar-Upper ASM	8	144-5868	1	Handle-Lower
2	137-3009	6	Washer-Cup	9	117-7737	4	Screw-Handle
3	136-7130	2	Lock-Handle	10	104-7201	4	Nut-HF, NI
4	125-7944	2	Screw-HH	11	147-1795	1	Dash Panel Assembly, Generic Snow
5	114-3779	2	Knob-Handle	11:4	139-5255	1	Key-Bail
6	130-6655	2	Nut-Flange, NI	12	145-8254	1	Decal - Console
7	614249	1	Tie-Cable				

Attachments and Accessories

For 39921 21in Power Clear Flex-Force Power System 60V MAX Snowthrower

Product Name	Model/Part
60V Battery Charger 2 AMP	88602
60V Rapid Battery Charger 5.4 AMP	88605
60V Battery Charger 1 AMP	88610
60V Battery 2.0 AH	88620
60V LI-ION Battery 2.5 AH.....	88625
60V LI-ION, Battery 4.0 AH	88640
60V LI-ION Battery 5.0 AH.....	88650
60V LI-ION Battery 6.0 AH.....	88660
60V LI-ION Battery 7.5 AH.....	88675

Notes:



Count on it.