



**Count on it.**

**Parts Catalog**

**21in Power Clear<sup>®</sup> Flex-Force  
Power System<sup>™</sup> 60V MAX  
Snowthrower**

Model No. 39921T—Serial No. 40000000 and Up



# Ordering Replacement Parts

To order replacement parts, please supply the part number, the quantity, and the description of each part desired.

## **Understanding Reference Numbers**

Each identified part in an illustration has a reference number. The reference number for a part also appears in the parts list, along with other information about the part.

This catalog uses two special reference number formats, one to indicate parts in a service assembly and another to indicate the quantity of a given part in an illustration.

## **Service Assembly Reference Numbers**

Parts in service assemblies have reference numbers in the form a:b. The a represents the reference number of the entire service assembly and the b represents a sequential number unique to each part within the service assembly.

For example, a wheel assembly might be identified by reference number 6, the tire by 6:1, the valve by 6:2, and the wheel by 6:3. When you order the assembly identified by reference number 6, you receive all parts identified by reference numbers 6:1, 6:2, and 6:3. However, you may also order any part individually. Reference numbers of this type appear in illustration and in parts lists.

## **Reference Numbers Indicating Quantity**

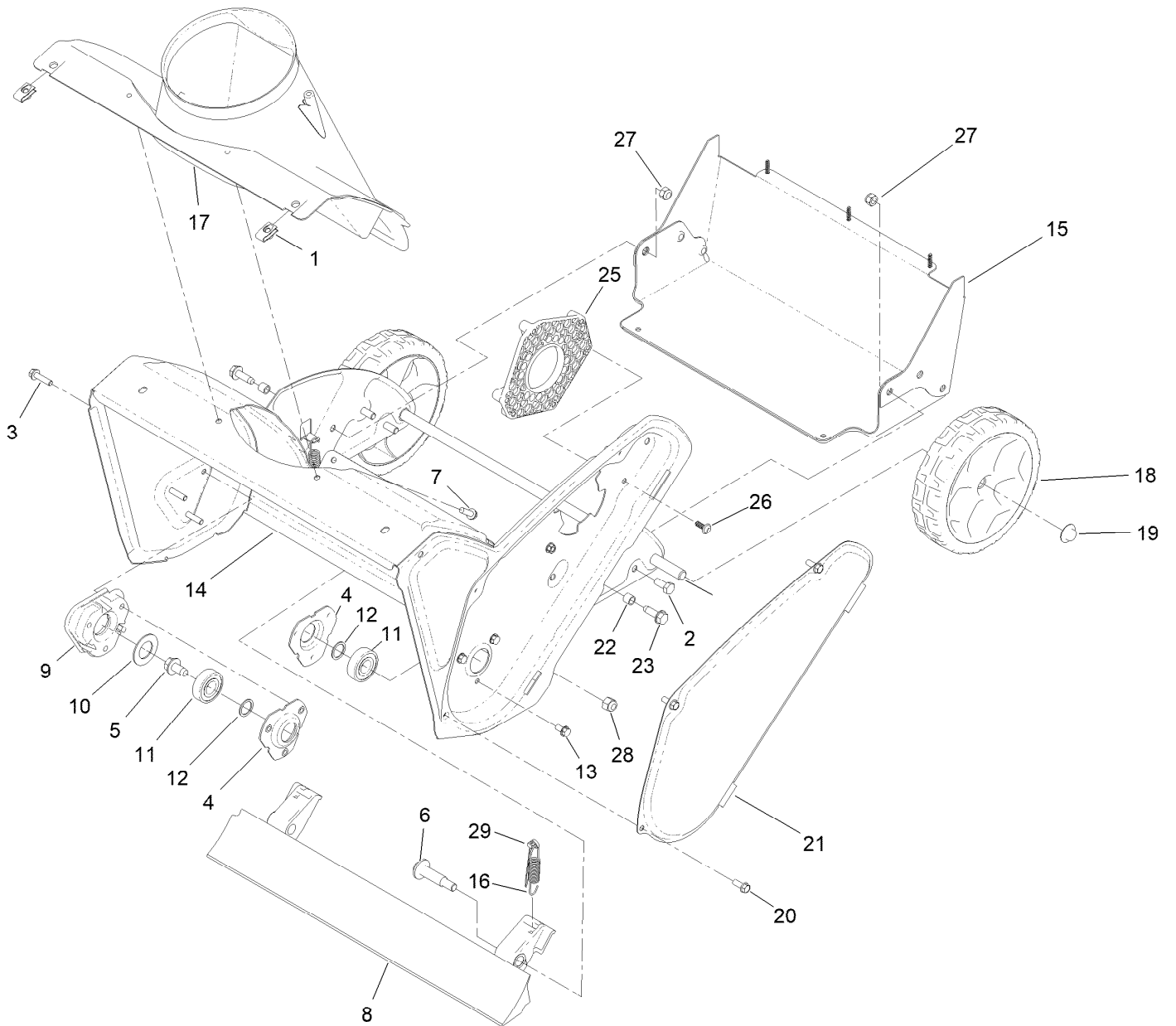
In an illustration, if a reference number indicates more than one part, the reference number has the form nX y. The n represents the quantity of the part, the X is the multiplication symbol, and the y represents the reference number.

For example, in an illustration, the reference number 2X 37 means that two of the parts identified by reference number 37 are indicated.

# Contents

- Frame Assembly ..... 4
- Rotor and Rotor Drive Assembly ..... 6
- Motor and Controller Assembly ..... 8
- Chute Assembly ..... 10
- Handle and Control Assembly ..... 12
- Attachments and Accessories ..... 14

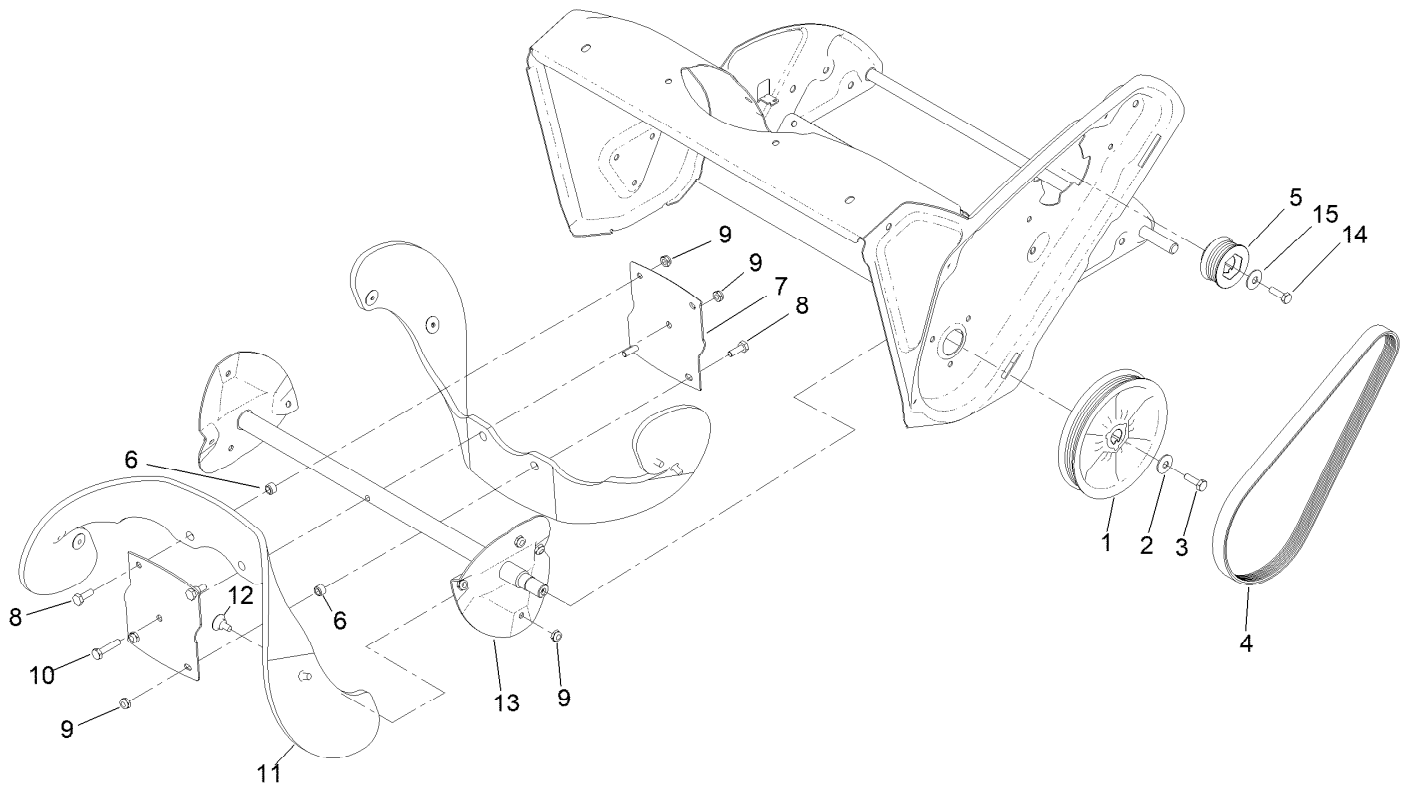
# Frame Assembly



## Frame Assembly (continued)

<i>Ref.</i>	<i>Part Number</i>	<i>Qty.</i>	<i>Description</i>	<i>Ref.</i>	<i>Part Number</i>	<i>Qty.</i>	<i>Description</i>
1	107069	2	Clip	15	144-5855	1	Support, Large
2	137-3052	4	Screw-HH	16	108-4906	2	Spring-Extension
3	32144-86	3	Screw-HWHTF	17	108-4871	1	Chute-Lower
4	136-7134	2	Flange-Bearing	18	138-8783	2	Wheel ASM, 7 Inch
5	110-9380	1	Screw-HWH	19	32112-14	2	Nut-Push
6	136-7198	2	Bolt-Shoulder	20	32144-85	3	Screw-HWH Thd Form
7	46-8091	3	Screw-HWH	21	108-4893-03	1	Cover-Belt
8	133-5585	1	Blade-Scraper	22	136-7148	2	Spacer-Grommet
9	114-3781	1	Spacer-Bearing, RH	23	130-9795	2	Screw-HWHTF
10	110-9353	1	Washer-Rubber	25	147-6555	1	Mount - Motor
11	38-7820	2	Bearing-Ball	26	138-5775	3	Screw-Delta Point
12	52-7280	2	Washer-Thrust	27	3296-72	6	Nut-Lock, NI
13	32144-4	3	Screw-HWH	28	137-3087	2	Nut-Hex
14	144-5865-03	1	Housing Rotor, ASM [black]	29	3290-381	2	Tie-Cable

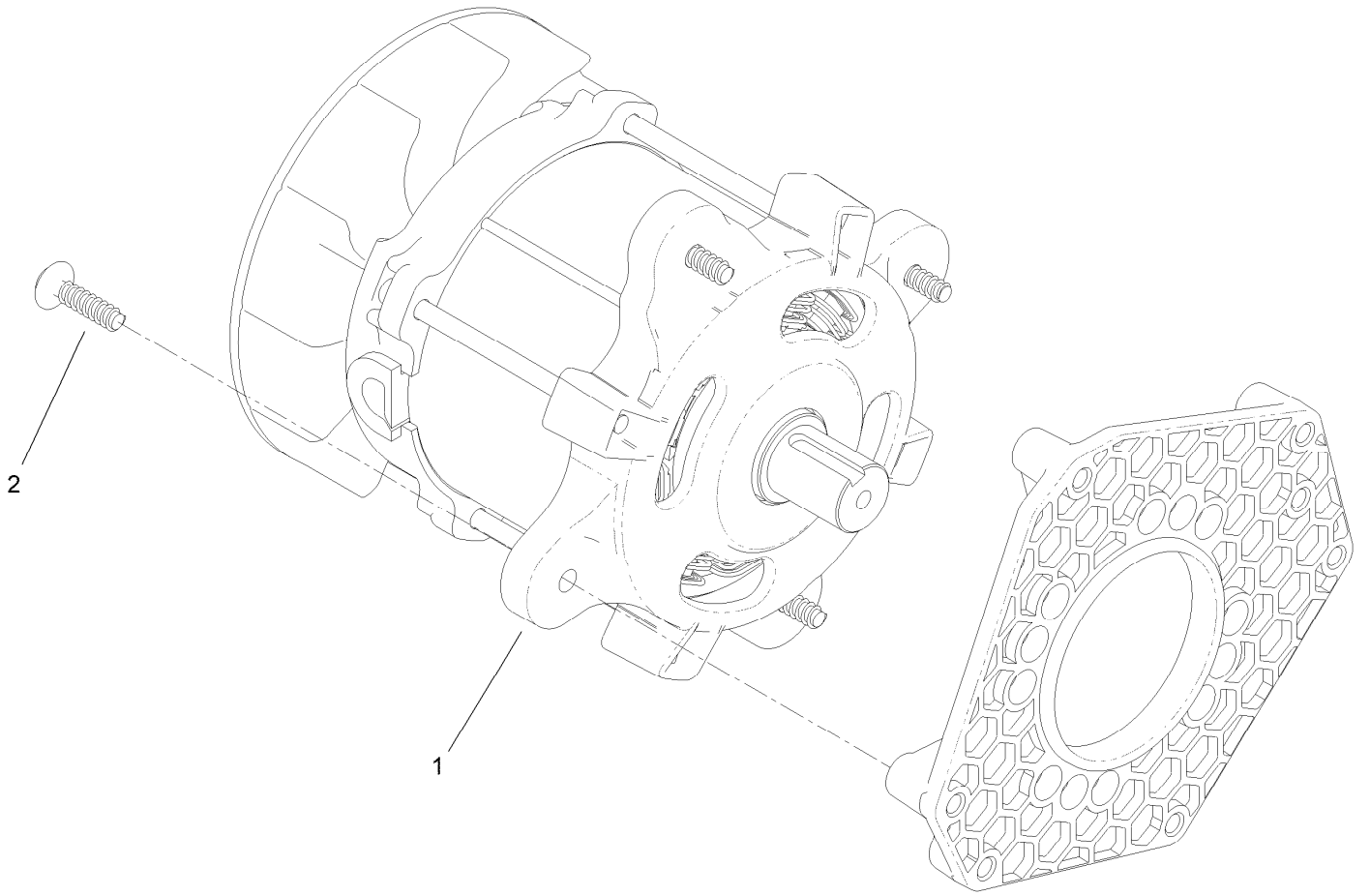
# Rotor and Rotor Drive Assembly



## Rotor and Rotor Drive Assembly (continued)

<i>Ref.</i>	<i>Part Number</i>	<i>Qty.</i>	<i>Description</i>	<i>Ref.</i>	<i>Part Number</i>	<i>Qty.</i>	<i>Description</i>
1	138-8720	1	Pulley-Rotor	9	3296-56	13	Nut-Lock, NI
2	3290-456	1	Washer-Belleville	10	321-8	1	Screw-HH
3	140-1002	1	Screw-HH,Patch	11	161-2170	2	Blade-Rotor
4	147-1769	1	Belt-V, Ribbed Stretch	12	84-1971	8	Screw
5	147-1760	1	Pulley-Driver (Mach)	13	131-6488-03	1	Rotor
6	55-9370	4	Spacer-Blade, Rotor	14	3211-4	1	Screw-HH
7	66-6600-03	2	Half-Rotor	15	108-1438	1	Washer-Hardened
8	321-4	4	Screw-HH				

# Motor and Controller Assembly

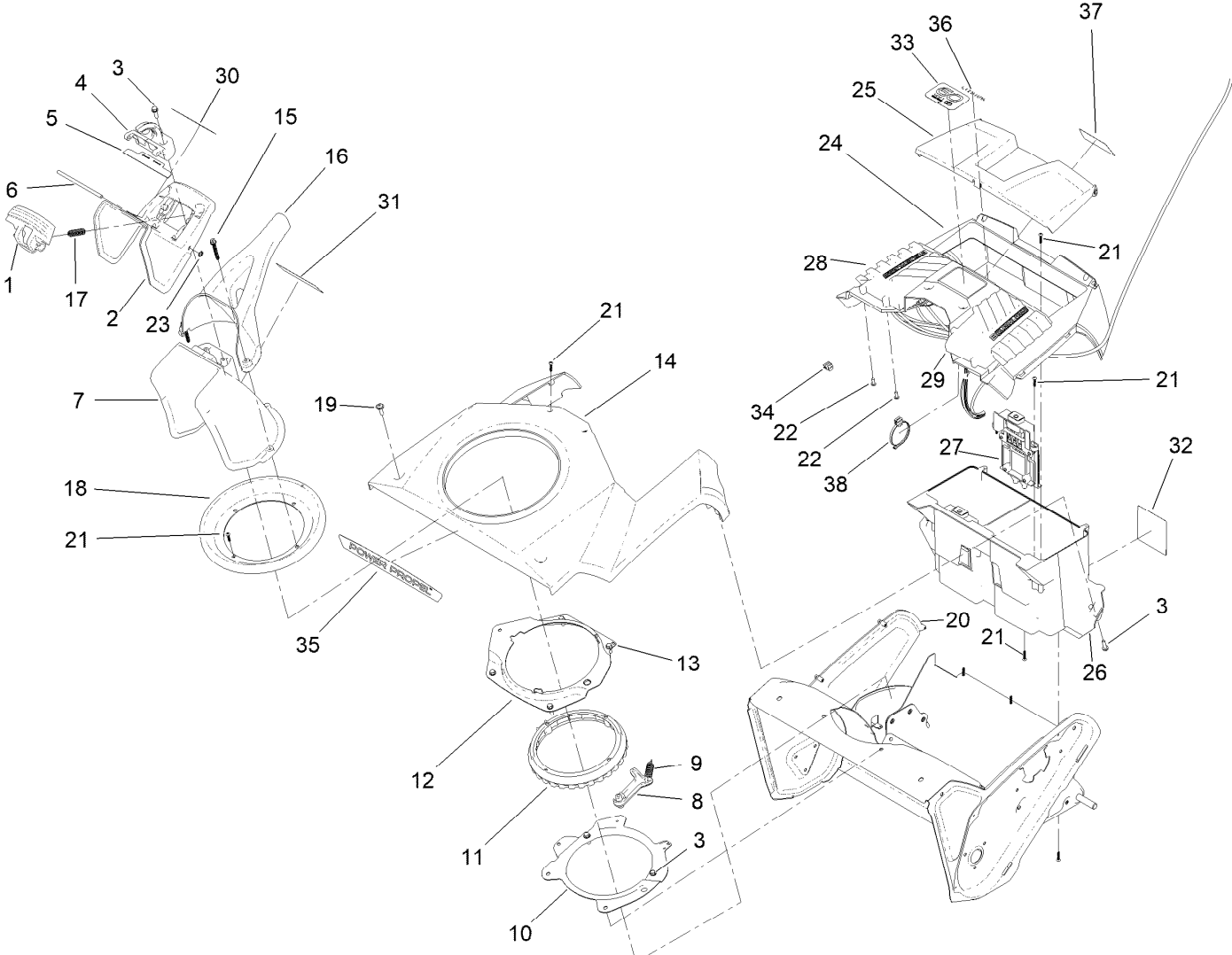




## Motor and Controller Assembly (continued)

<i>Ref.</i>	<i>Part Number</i>	<i>Qty.</i>	<i>Description</i>
1	147-1766	1	Motor- E21Sp
2	120-2349	4	Screw

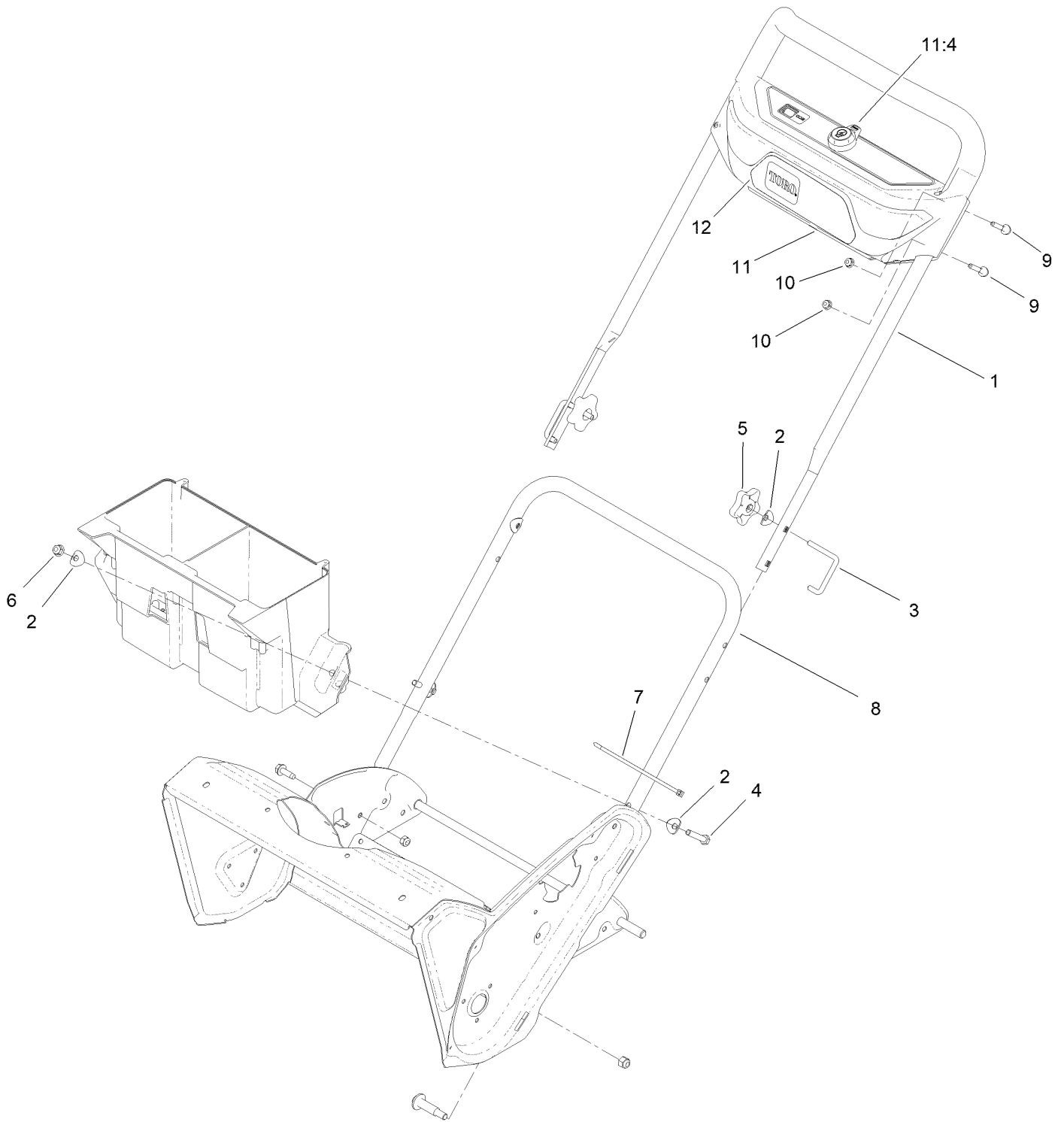
# Chute Assembly



## Chute Assembly (continued)

<i>Ref.</i>	<i>Part Number</i>	<i>Qty.</i>	<i>Description</i>	<i>Ref.</i>	<i>Part Number</i>	<i>Qty.</i>	<i>Description</i>
1	108-4941	1	Trigger-Deflector	22	3250-12	6	Screw-PPH
2	147-1796	1	Deflector-Chute,	23	104-8310	1	Ring-Retaining
3	46-8091	8	Screw-HWH	24	144-4144	1	Cover-Housing
4	108-4942	1	Hinge-Ratchet, Deflector	25	144-4147	1	Cover-Battery Bucket
5	114-3790	1	Seal-Deflector	26	144-5856	1	Battery Bucket
6	136-8672	1	Pin-Hinge, Deflector	27	147-1788	2	Battery Track ASM (60A)
7	108-4939	1	Chute	28	147-1773	1	Parallel Module-Controller E21Sp
8	108-4926	1	Pawl-Detent	29	147-1774	1	Motor Controller- E21Sp
9	80-4600	1	Spring-Extension	30	94-8072	1	Decal-Danger
10	108-4883-03	1	Ring-Support, Chute	31	114-9035	1	Decal-Danger, Discharge
11	108-4922	1	Ring-Chute, Detent	32	147-6559	1	Decal-Model/Serial
12	108-4874-03	1	Retainer-Ring, Chute	33	145-8255	1	Decal - 60V Powerhead, E21Sp
13	32144-85	3	Screw-HWH Thd Form	34	32180-226	1	Clip-Edge, Perpendicular W/Tie
14	144-4146	1	Shroud	35	145-8266	1	Decal - Power Propel
15	114-3751	3	Screw-HWH, Plastite	36	147-1797	1	Decal-Lithium
16	110-9366	1	Handle-Chute	37	147-1787	1	Decal-Battery Bucket
17	136-7136	2	Spring-Compression	38	32180-225	1	Clip-Edge, Parallel W/Tie
18	114-3772	1	Seal-Ring, Chute				
19	110-9361	2	Screw-PPH				
20	138-8754	1	Cover-Side				
21	94-4496	18	Screw-PPH				

# Handle and Control Assembly



## Handle and Control Assembly (continued)

<i>Ref.</i>	<i>Part Number</i>	<i>Qty.</i>	<i>Description</i>	<i>Ref.</i>	<i>Part Number</i>	<i>Qty.</i>	<i>Description</i>
1	147-1756	1	Handle Bar-Upper ASM	8	144-5868	1	Handle-Lower
2	137-3009	6	Washer-Cup	9	117-7737	4	Screw-Handle
3	136-7130	2	Lock-Handle	10	104-7201	4	Nut-HF, NI
4	125-7944	2	Screw-HH	11	147-1795	1	Dash Panel Assembly, Generic Snow
5	114-3779	2	Knob-Handle	11:4	139-5255	1	Key-Bail
6	130-6655	2	Nut-Flange, NI	12	145-8254	1	Decal - Console
7	614249	1	Tie-Cable				

# Attachments and Accessories

## For 39921T 21in Power Clear Flex-Force Power System 60V MAX Snowthrower

<b>Product Name</b>	<b>Model/Part</b>
60V Battery Charger 2 AMP .....	88602
60V Rapid Battery Charger 5.4 AMP .....	88605
60V Battery Charger 1 AMP .....	88610
60V Battery 2.0 AH .....	88620
60V LI-ION Battery 2.5 AH.....	88625
60V LI-ION, Battery 4.0 AH .....	88640
60V LI-ION Battery 5.0 AH.....	88650
60V LI-ION Battery 6.0 AH.....	88660
60V LI-ION Battery 7.5 AH.....	88675

**Notes:**



**Count on it.**