



**Count on it.**

**Parts Catalog**

**GrandStand® Mower**

**With 122cm Rear Discharge TURBO FORCE®  
Cutting Unit**

Model No. 72542TE—Serial No. 417000000 and Up



# Ordering Replacement Parts

To order replacement parts, please supply the part number, the quantity, and the description of each part desired.

## Understanding Reference Numbers

Each identified part in an illustration has a reference number. The reference number for a part also appears in the parts list, along with other information about the part.

This catalog uses two special reference number formats, one to indicate parts in a service assembly and another to indicate the quantity of a given part in an illustration.

## Service Assembly Reference Numbers

Parts in service assemblies have reference numbers in the form a:b. The a represents the reference number of the entire service assembly and the b represents a sequential number unique to each part within the service assembly.

For example, a wheel assembly might be identified by reference number 6, the tire by 6:1, the valve by 6:2, and the wheel by 6:3. When you order the assembly identified by reference number 6, you receive all parts identified by reference numbers 6:1, 6:2, and 6:3. However, you may also order any part individually. Reference numbers of this type appear in illustration and in parts lists.

## Reference Numbers Indicating Quantity

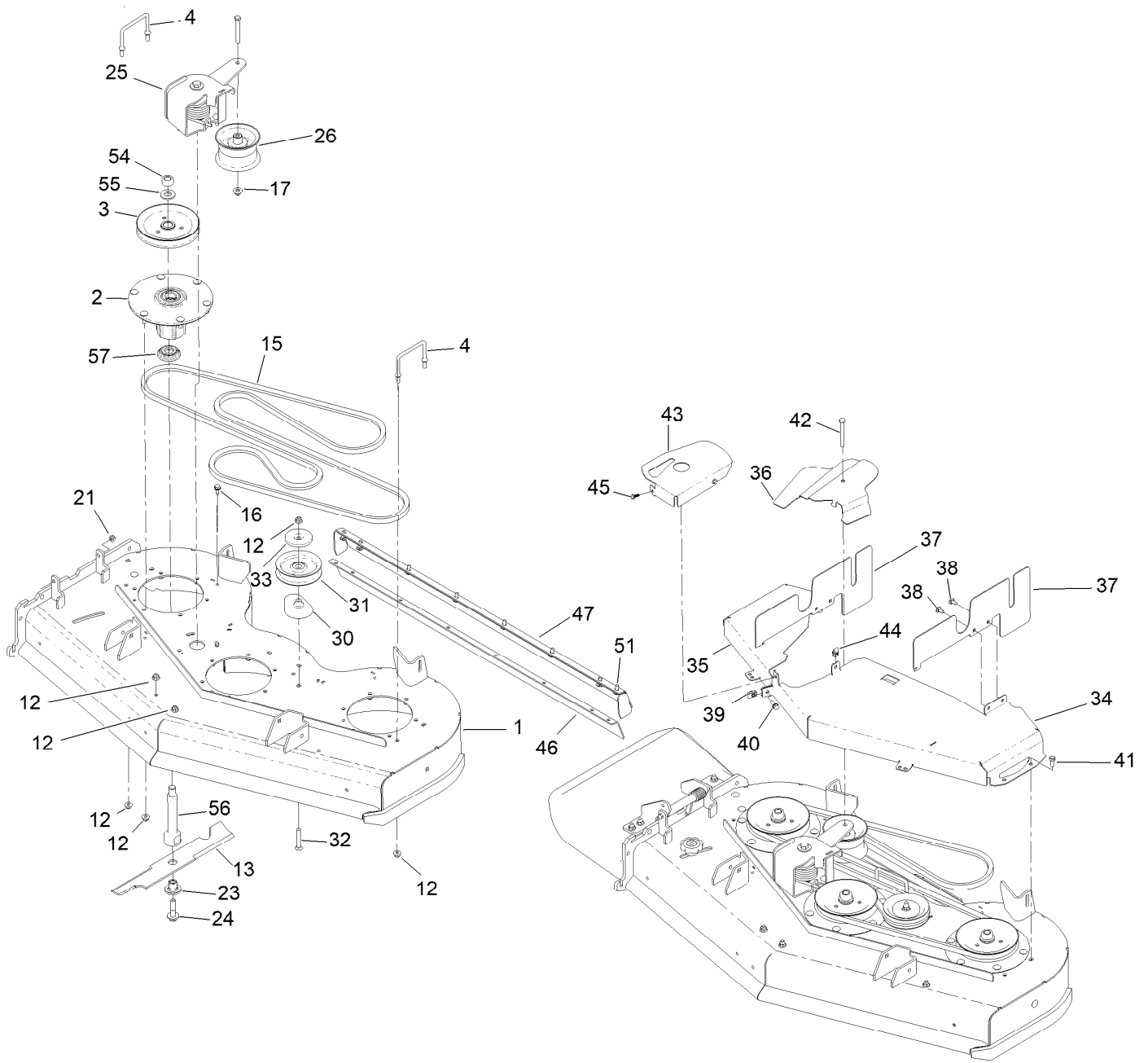
In an illustration, if a reference number indicates more than one part, the reference number has the form nX y. The n represents the quantity of the part, the X is the multiplication symbol, and the y represents the reference number.

For example, in an illustration, the reference number 2X 37 means that two of the parts identified by reference number 37 are indicated.

# Contents

Deck Assembly	4
Deck Decal Assembly No. 139-8141	6
Spindle Assembly No. 137-9780	8
Ground Drive Assembly	10
LH Transmission Assembly No. 138-5838	12
RH Transmission Assembly No. 138-5839	14
Overflow Hose Assembly	16
Motion Control Assembly	18
Control Handle Assembly No. 132-5157	20
Control Handle Assembly No. 132-5158	22
Parking Brake Assembly	24
Deck Lift Assembly	26
HOC Lever Assembly No. 161-6735	28
HOC Link Assembly No. 130-6615	30
Frame Assembly	32
Wheel and Bearing Assembly	34
Platform Assembly	36
Engine Assembly	38
Fuel Tank Assembly	40
Electrical Assembly	42
Attachments and Accessories	44

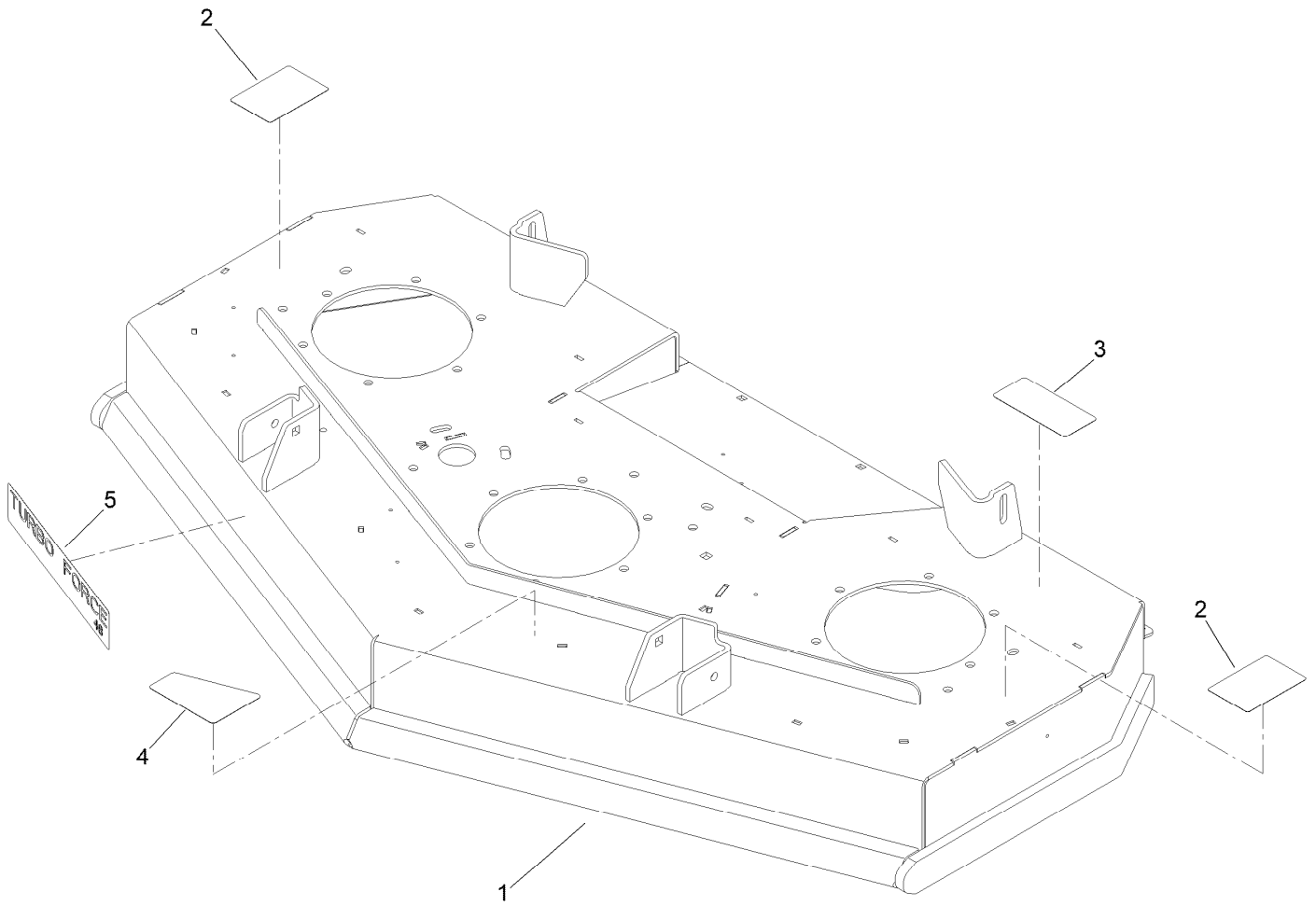
# Deck Assembly



## Deck Assembly (continued)

<i>Ref.</i>	<i>Part Number</i>	<i>Qty.</i>	<i>Description</i>	<i>Ref.</i>	<i>Part Number</i>	<i>Qty.</i>	<i>Description</i>
1	139-8141	1	Deck And Decal ASM	35	136-7423-01	1	Cover-Belt, RH (CE)
2	137-9780	3	Spindle ASM	36	136-7421-01	1	Cover-Idler, CE
3	138-6061	3	Sheave-Blade, Drive	37	133-4642-01	2	Cover-Side, LH (CE)
4	109-6982	1	Wireform-Cover	38	3230-18	4	Screw-CARR
12	104-8301	28	Nut-HF, NI	39	94-2413	1	Nut-U
13	140-4862	3	Blade-16.50 Atomic	40	3234-29	1	Screw-HHF
15	131-1121	1	Belt-V	41	323-5	4	Screw-HH
16	32144-70	2	Screw-HWHTF	42	323-20	1	Screw-HH
17	109-6658	1	Nut-Flange, NI	43	136-7424-01	1	Cover-Idler, CE
21	104-8300	12	Nut-HF, NI	44	107069	2	Clip
23	137-9787	3	Bushing-Hex	45	99-6810	2	Screw-HHF
24	109-9220	3	Screw-Sems	46	161-3558	1	Guard-Rubber
25	145-3450	1	Gs Torsion Idler ASM li	47	134-3728-01	1	Bracket-Deflector
26	127-1971	1	Pulley-Idler	51	3230-10	8	Bolt-CARR
30	109-2872	1	Spacer-Pulley	54	116-7306	3	Nut-Hex
31	132-4718	1	Pulley-Idler, Flat	55	103-2802	3	Washer
32	3231-44	1	Screw-CARR	56	138-6045	3	Shaft-Spindle
33	132-5153	1	Shield-Dust	57	137-9784	3	Guard-Bottom
34	136-7422-01	1	Cover-Belt, LH (CE)				

# Deck Decal Assembly No. 139-8141



## Deck Decal Assembly No. 139-8141 (continued)

<i>Ref.</i>	<i>Part Number</i>	<i>Qty.</i>	<i>Description</i>	<i>Ref.</i>	<i>Part Number</i>	<i>Qty.</i>	<i>Description</i>
1		1	Deck ASM ●	4	131-3507	1	Decal-Belt, Tension (CE)
2	139-5557	2	Decal-Danger, CE	5	107-1690	1	Decal
3	116-8283	1	Decal-Torque, Bolt				

● Not serviced separately

# Spindle Assembly No. 137-9780

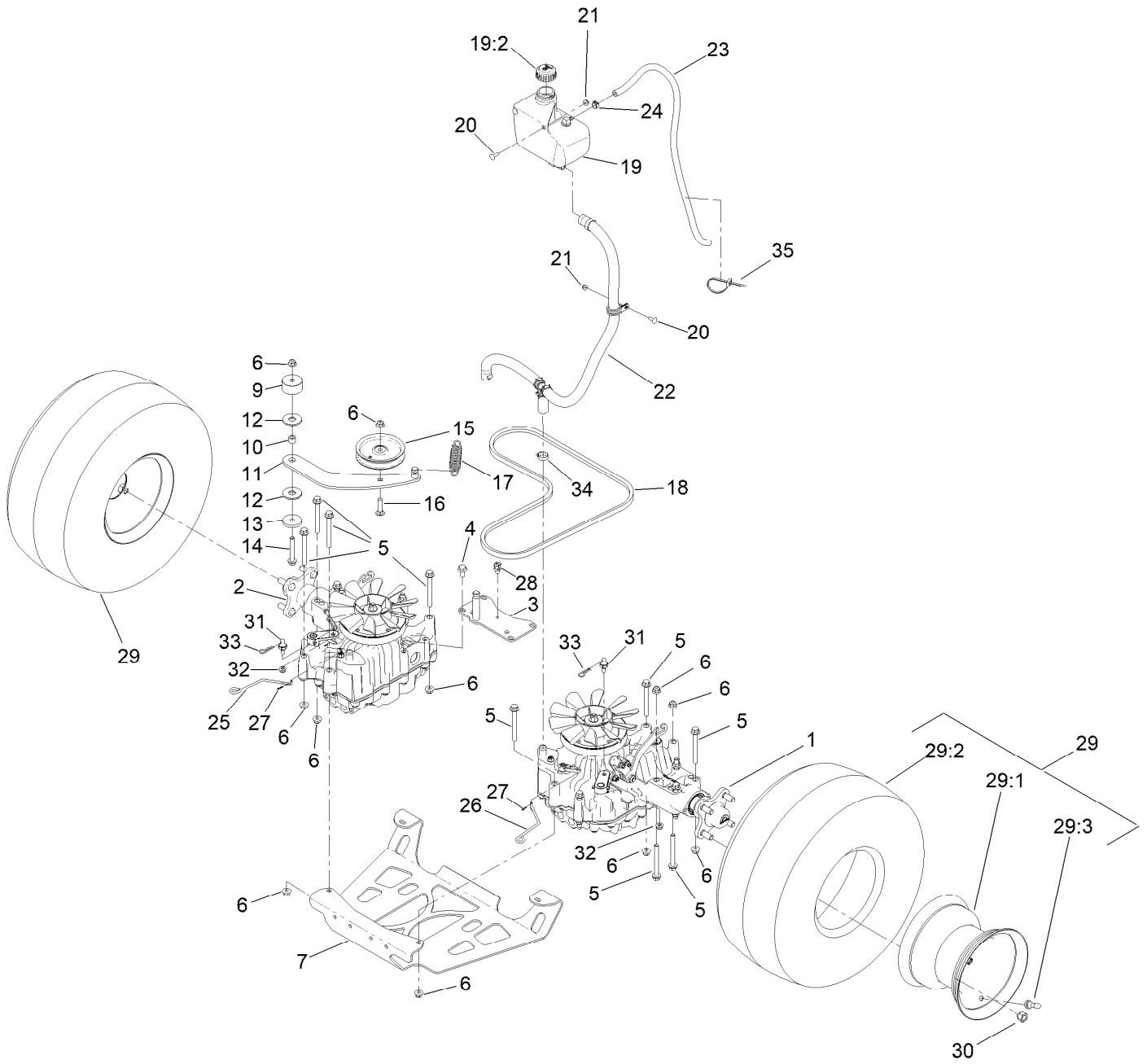




## Spindle Assembly No. 137-9780 (continued)

<i>Ref.</i>	<i>Part Number</i>	<i>Qty.</i>	<i>Description</i>
2	116-0720	2	Bearing-Ball
3	138-6042	1	Spacer-Bearing

# Ground Drive Assembly



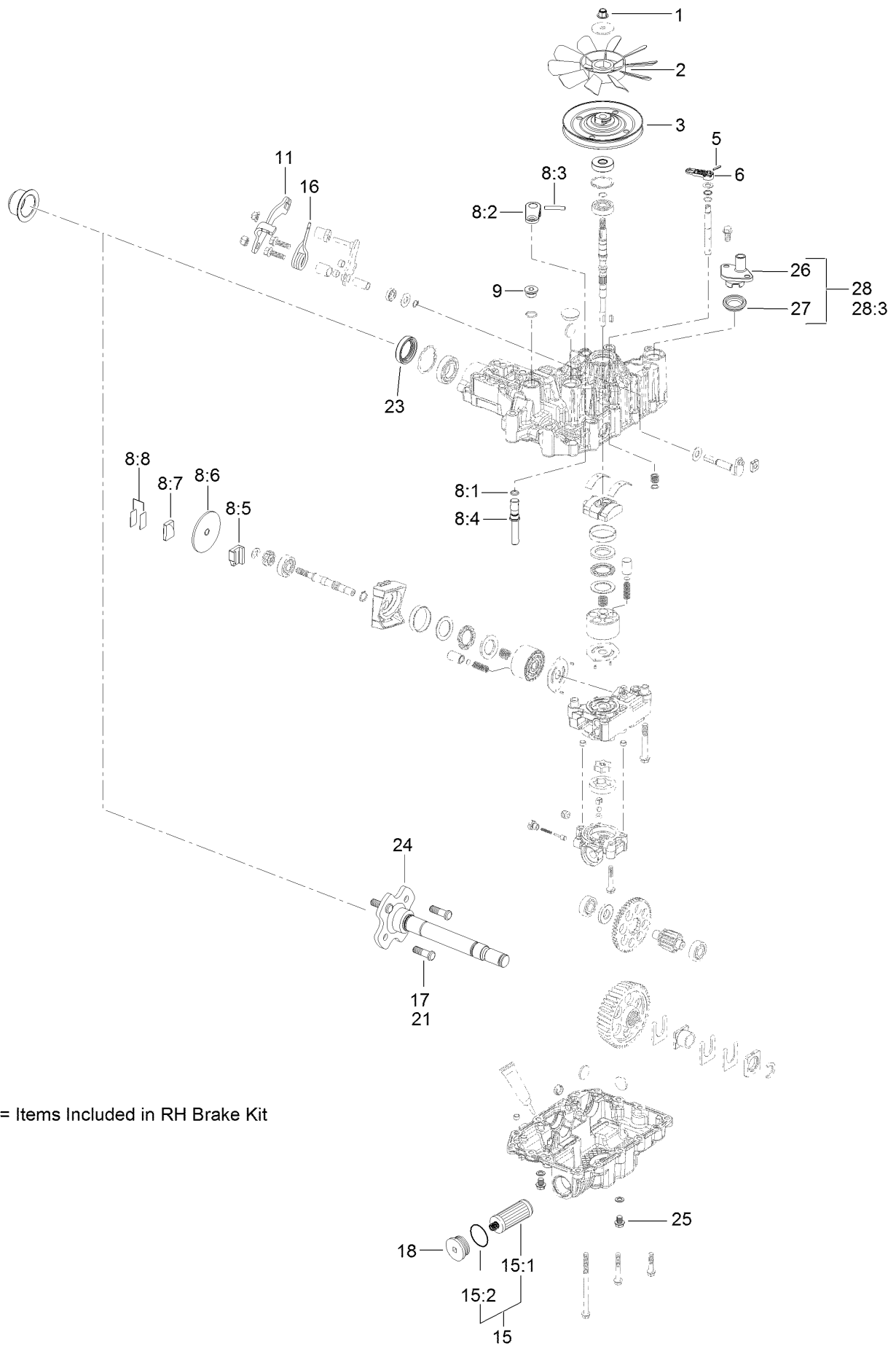
## Ground Drive Assembly (continued)

<i>Ref.</i>	<i>Part Number</i>	<i>Qty.</i>	<i>Description</i>	<i>Ref.</i>	<i>Part Number</i>	<i>Qty.</i>	<i>Description</i>
1	138-5838	1	LH Transmission ASM	20	3229-25	3	Screw-CARR
2	138-5839	1	RH Transmission ASM	21	104-7201	3	Nut-HF, NI
3	131-1131-03	1	Support-Transaxle	22		1	Gs Overflow Hose ASM ■
4	93-2569	4	Screw-HHF	23	109-0309	1	Hose-Fuel
5	116-4701	16	Screw-HHF	24	92-2379	1	Clamp-Hose
6	104-8301	18	Nut-HF, NI	25	131-7469	1	Rod-Bypass, RH
7	138-1108-03	1	Plate-Skid	26	131-7470	1	Rod-Bypass, LH
9	117-5351	1	Spacer	27	108-2992	2	Pin-Hair
10	1-413088	1	Bushing-Lever, Lift	28	32180-030	1	Clip-Tie
11	131-1175	1	Arm-Idler	29	140-1888	2	Wheel And Tire ASM
12	114-0463	2	Washer-Friction, Composite	29:1	140-1889	1	Rim-8 Inch Black
13	110-9981	1	Washer-Plain	29:2	120-6466	1	Tire
14	3234-39	1	Screw-HHF	29:3	232-27	1	Stem-Valve
15	93-1622	1	Pulley-Idler	30	139-2564	8	Nut-Lug
16	3231-4	1	Screw-CARR	31	132-7584	2	Spacer-Hex
17	138-1104	1	Spring-Extension	32	104-8300	2	Nut-HF, NI
18	131-1124	1	Belt-V	33	3290-250	2	Pin-Cotter
19	132-1135	1	Tank-HYD	34	2412-129	2	Clamp-Hose
19:2	133-8677	1	Cap-Vented	35	3290-378	1	Tie-Cable
19:5	140-9463	1	Strainer-Neck, Removable ●				

● Not illustrated

■ Not serviced separately

# LH Transmission Assembly No. 138-5838



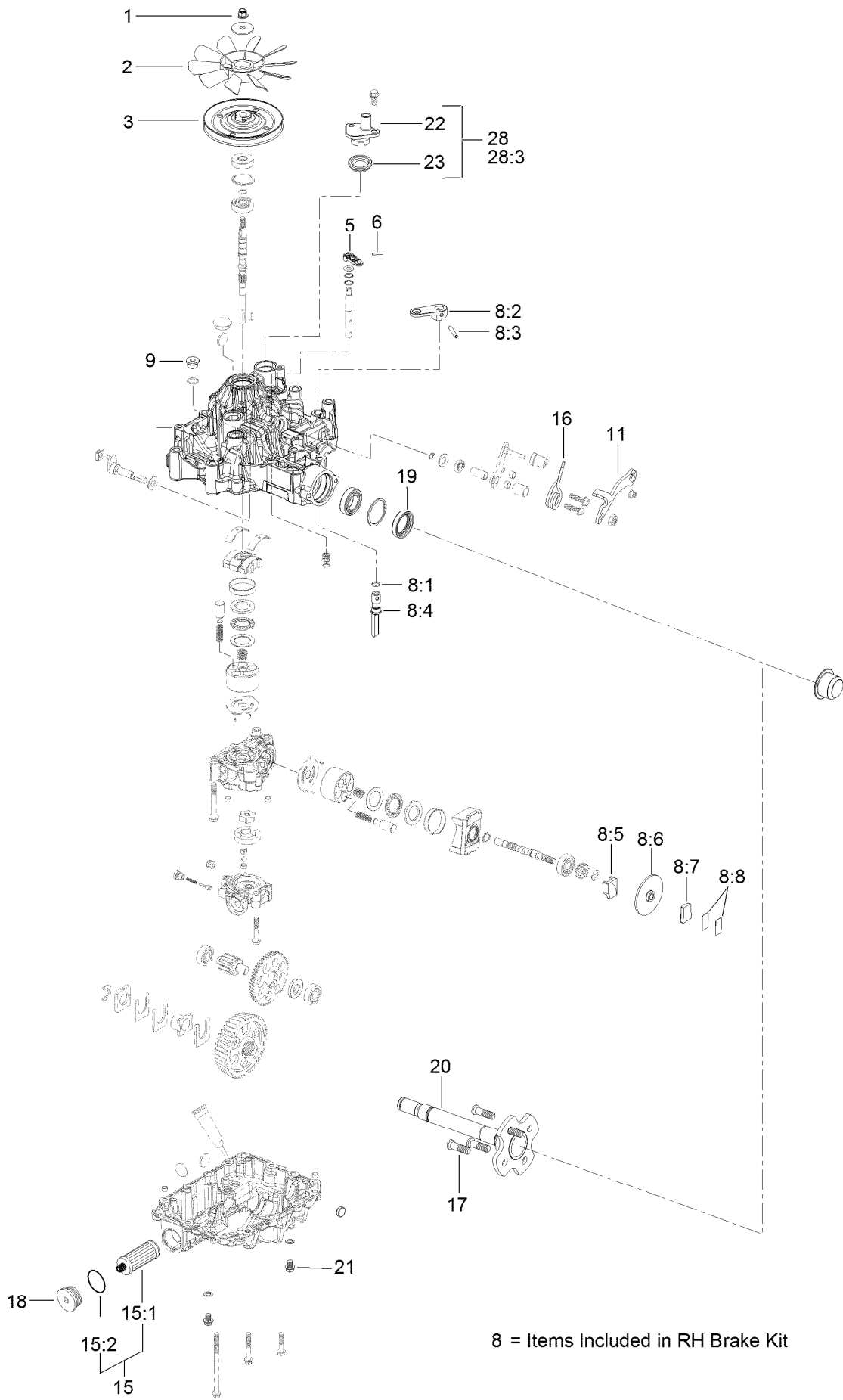
8 = Items Included in RH Brake Kit

# LH Transmission Assembly No. 138-5838 (continued)

<i>Ref.</i>	<i>Part Number</i>	<i>Qty.</i>	<i>Description</i>	<i>Ref.</i>	<i>Part Number</i>	<i>Qty.</i>	<i>Description</i>
1	132-4737	1	Nut-Lock	15	144-3842	1	2 Transmission Filter Kit
2	132-4738	1	Fan	15:1	136-5409	2	Filter
3	132-4739	1	Pulley	15:2	136-5410	2	O-Ring
5	104-3265	1	Pin	16	137-4109	1	Spring-Torsion
6	132-4700	1	Lever-Bypass	17	137-9509	4	Stud-Wheel
8	133-1468	1	Brake Kit,Left	18	138-4613	1	Cap-Oil Filter
8:1		1	O-Ring ●	21	137-9509	1	Stud-Wheel
8:2		1	Brake Arm ●	23	139-5587	1	Seal-Axle, Ua
8:3		1	Roll Pin ●	24	139-5588	1	Axle
8:4		1	Brake Shaft ●	25	139-5589	2	Drain Bolt
8:5		1	Brake Actuator ●	26	139-5590	1	Expansion Fitting
8:6		1	Brake Disc ●	27	139-5591	1	Grommet Seal, Expansion Fitting
8:7		1	Brake Shoe ●				
8:8		1	Shim Kit ●	28	139-7871	1	Expansion Fitting - W/ Seal
9	132-4735	1	Cap-Oil	28:3		1	M8*20 Flange Bolt ●
11	136-5401	1	Lever-Control, RH				

● Not serviced separately

# RH Transmission Assembly No. 138-5839

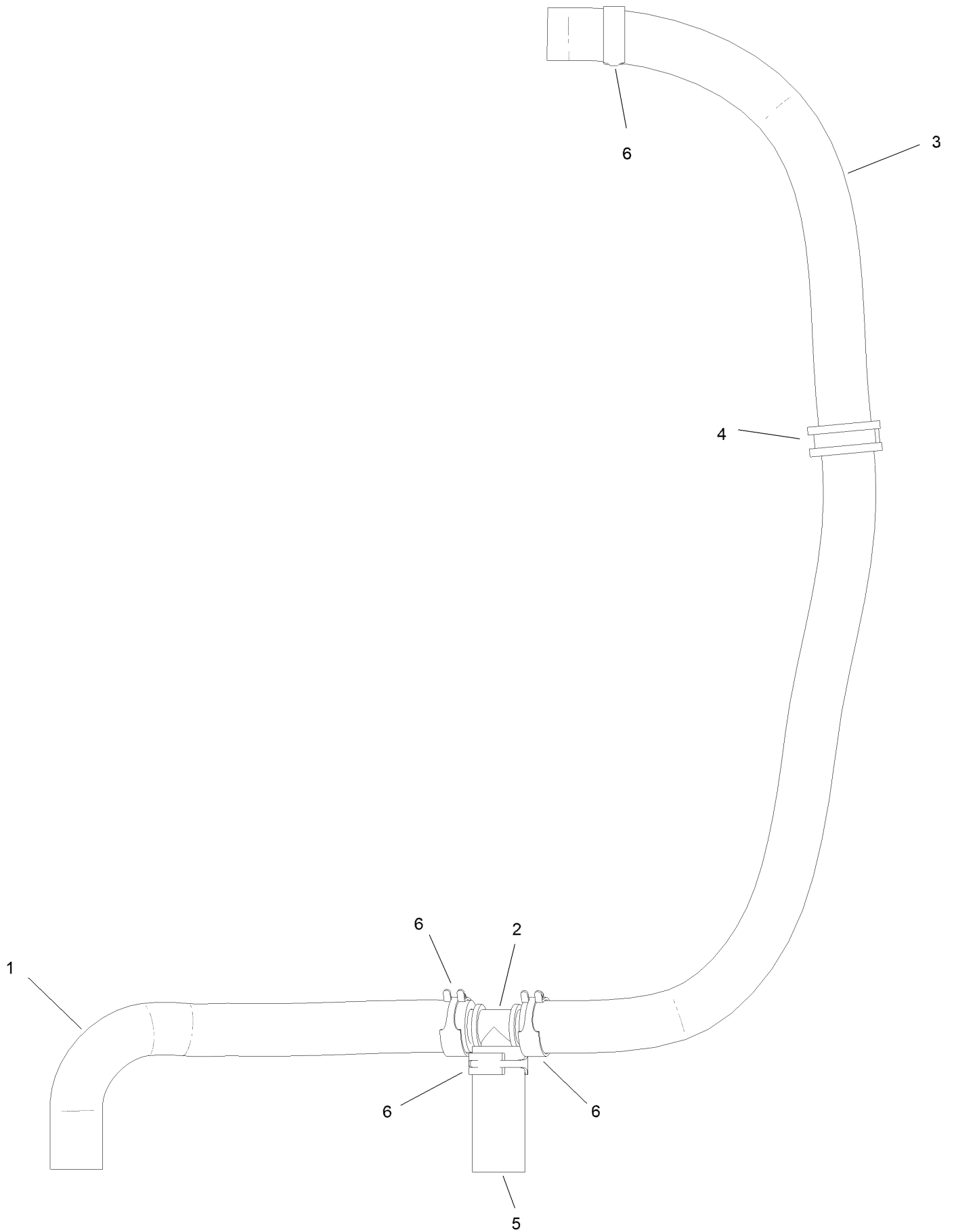


# RH Transmission Assembly No. 138-5839 (continued)

<i>Ref.</i>	<i>Part Number</i>	<i>Qty.</i>	<i>Description</i>	<i>Ref.</i>	<i>Part Number</i>	<i>Qty.</i>	<i>Description</i>
1	132-4737	1	Nut-Lock	11	136-5401	1	Lever-Control, RH
2	132-4738	1	Fan	15	144-3842	1	2 Transmission Filter Kit
3	132-4739	1	Pulley	15:1	136-5409	2	Filter
5	104-3265	1	Pin	15:2	136-5410	2	O-Ring
6	132-4700	1	Lever-Bypass	16	137-4109	1	Spring-Torsion
8	133-1462	1	RH Brake Kit	17	137-9509	4	Stud-Wheel
8:1		1	O-Ring ●	18	138-4613	1	Cap-Oil Filter
8:2		1	Arm-Brake ●	19	139-5587	1	Seal-Axle, Ua
8:3		1	Pin-Roll ●	20	139-5588	1	Axle
8:4		1	Shaft-Brake ●	21	139-5589	2	Drain Bolt
8:5		1	Actuator-Brake ●	22	139-5590	1	Expansion Fitting
8:6		1	Disc-Brake ●	23	139-5591	1	Grommet Seal, Expansion Fitting
8:7		1	Shoe-Brake ●	28	139-7871	1	Expansion Fitting - W/ Seal
8:8		1	Shim Kit ●	28:3		1	M8*20 Flange Bolt ●
9	132-4735	1	Cap-Oil				

● Not serviced separately

# Overflow Hose Assembly

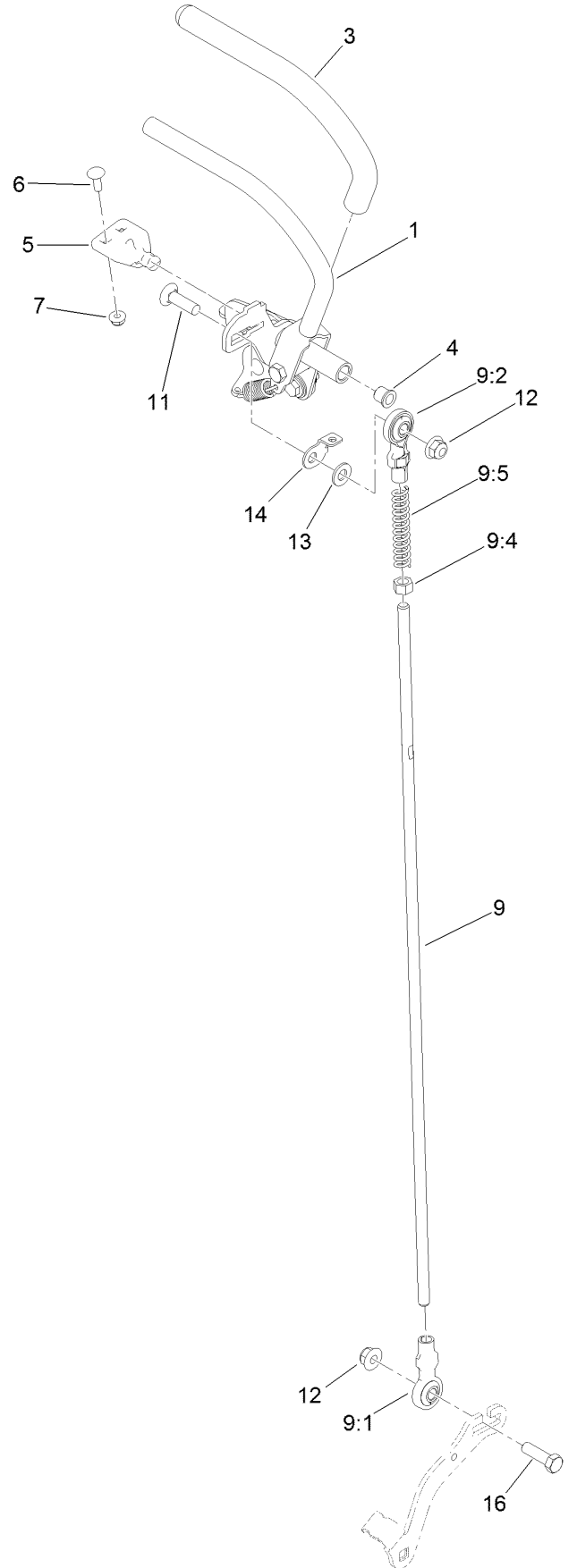
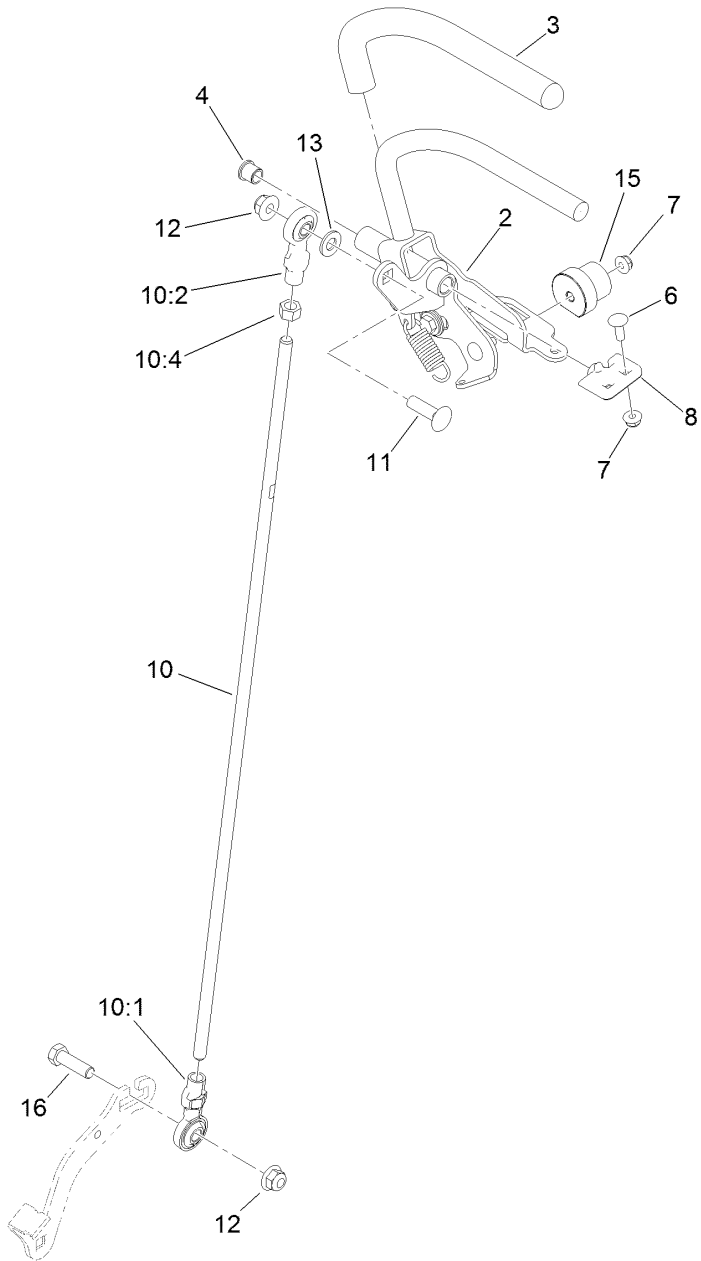




## Overflow Hose Assembly (continued)

<i>Ref.</i>	<i>Part Number</i>	<i>Qty.</i>	<i>Description</i>	<i>Ref.</i>	<i>Part Number</i>	<i>Qty.</i>	<i>Description</i>
1	145-3444	1	Hose-Hydraulic	4	147-0201	1	R-Clamp
2	139-4055	1	Fitting Tee	5	147-0204	1	Hydraulic Hose
3	147-0202	1	Hydraulic Hose	6	145-3599	4	Hose Clamp

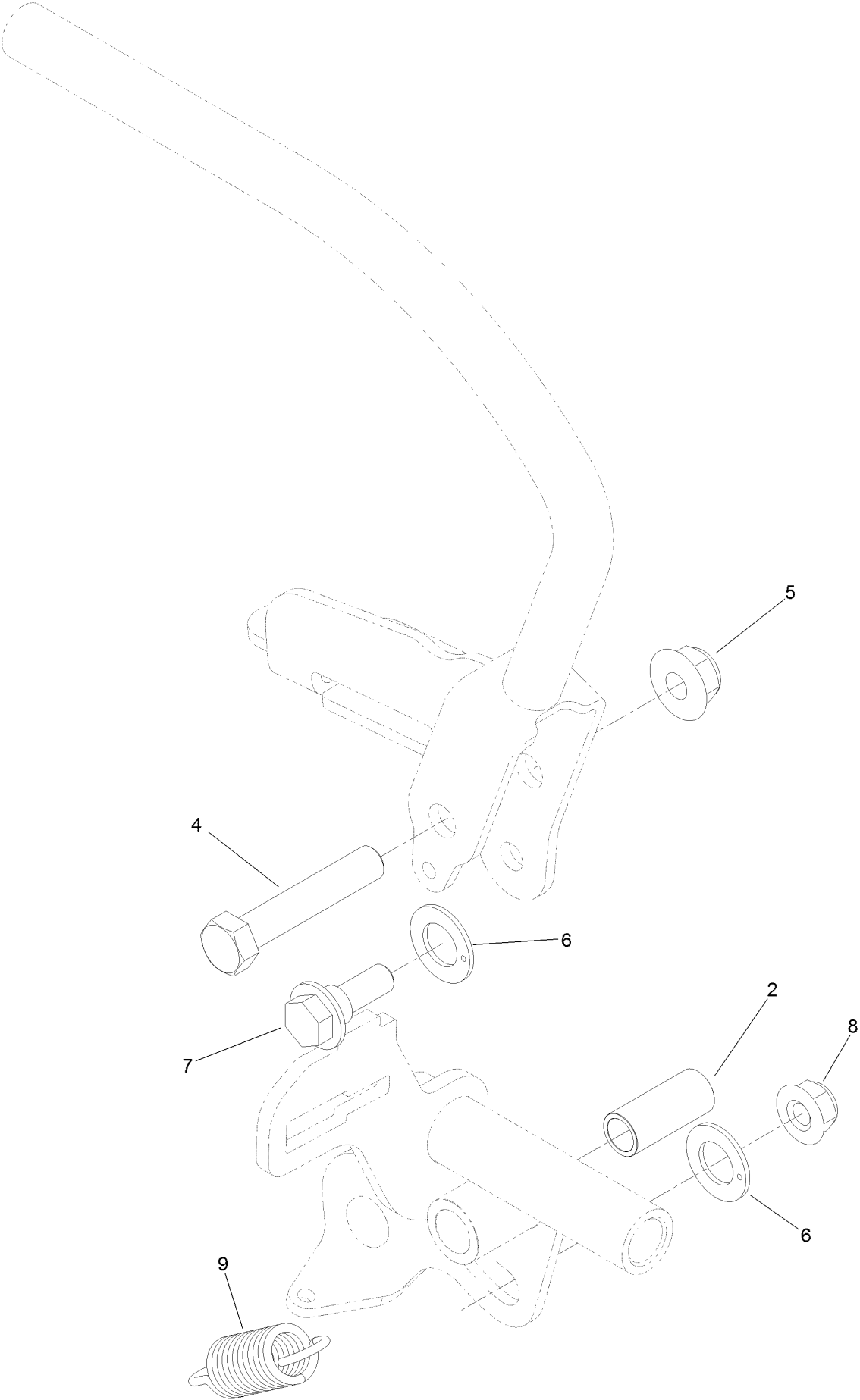
# Motion Control Assembly



## Motion Control Assembly (continued)

<i>Ref.</i>	<i>Part Number</i>	<i>Qty.</i>	<i>Description</i>	<i>Ref.</i>	<i>Part Number</i>	<i>Qty.</i>	<i>Description</i>
1	132-5157	1	LH Control Handle ASM	9:5	1-603807	1	Spring-Return, Neutral
2	132-5158	1	RH Control Handle ASM	10	138-4620	1	RH Control Rod ASM
3	119-0222	2	Grip	10:1	138-4647	1	Ball Joint-LH
4	103-9928	2	Bearing	10:2	138-4648	1	Ball Joint-RH
5	120-3288	1	Tab-Pivot, LH	10:4	3219-3	1	Nut-Hex
6	3229-1	4	Screw-CARR	11	3231-28	2	Screw-CARR
7	104-7201	6	Nut-HF, NI	12	104-8301	4	Nut-HF, NI
8	120-3287	1	Tab-Pivot, RH	13	3256-24	2	Washer-Plain
9	138-4619	1	LH Control Rod ASM	14	132-7538	1	Bracket-Adjustment, Speed
9:1	138-4647	1	Ball Joint-LH	15	126-1499	2	Cam
9:2	138-4648	1	Ball Joint-RH	16	323-7	2	Screw-HH
9:4	3219-3	1	Nut-Hex				

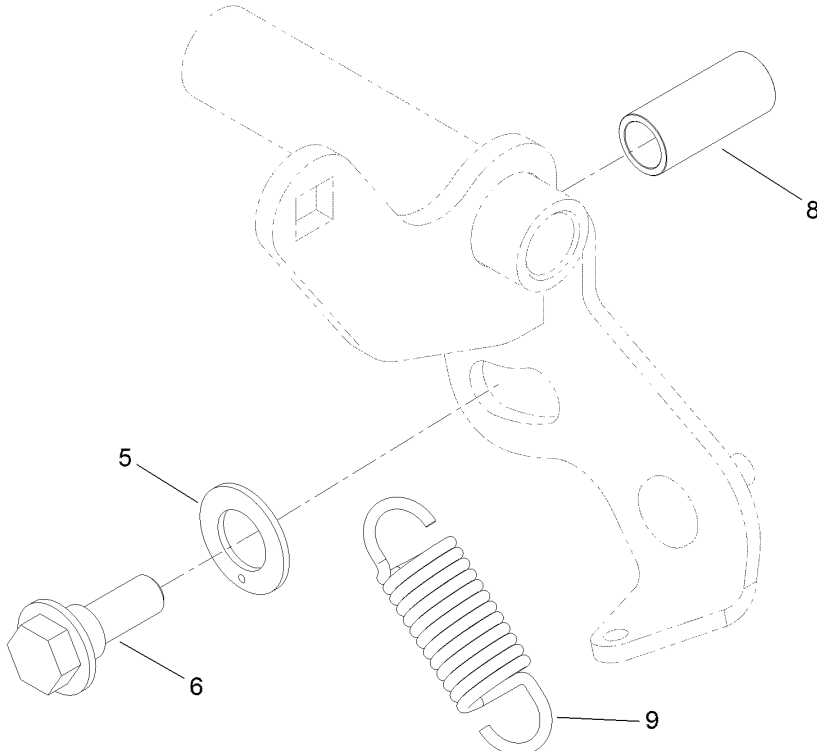
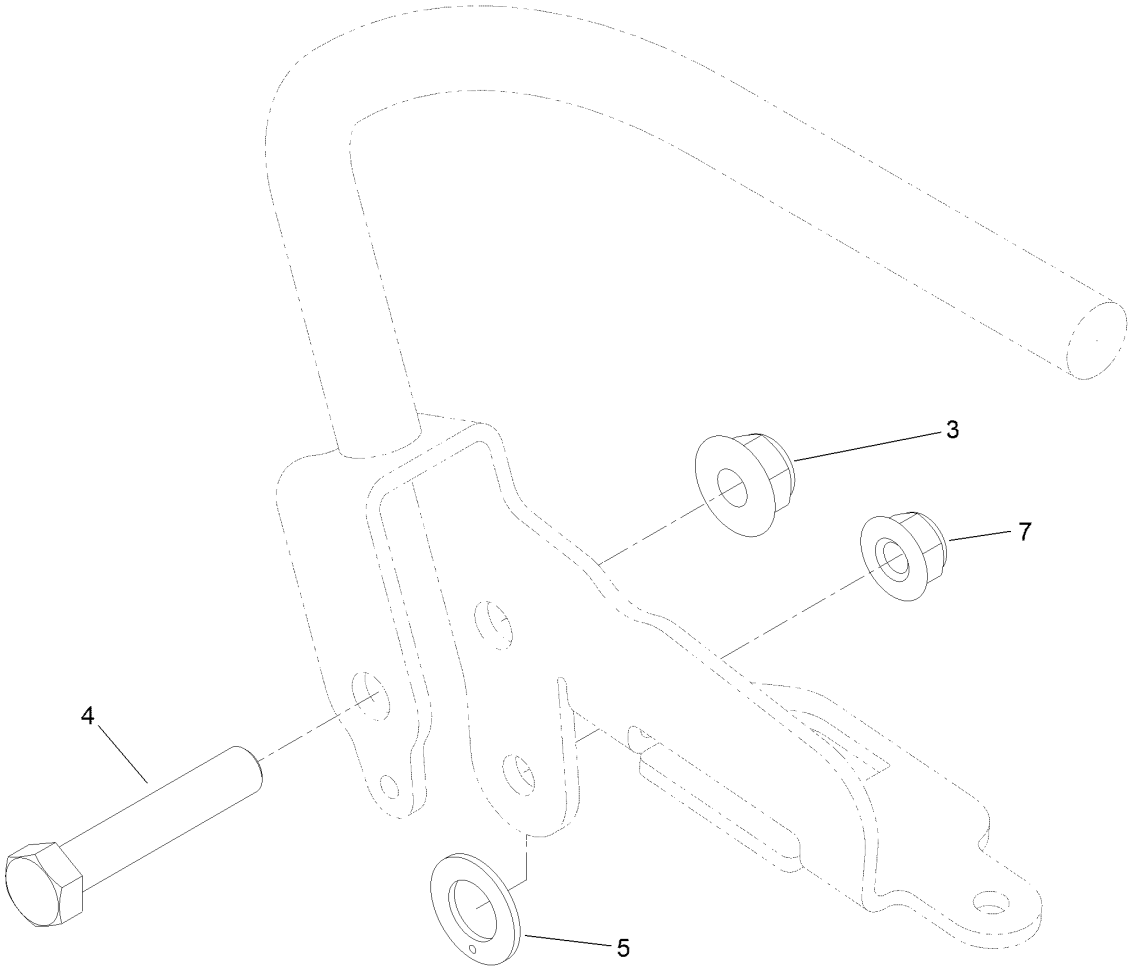
# Control Handle Assembly No. 132-5157



## Control Handle Assembly No. 132-5157 (continued)

<i>Ref.</i>	<i>Part Number</i>	<i>Qty.</i>	<i>Description</i>	<i>Ref.</i>	<i>Part Number</i>	<i>Qty.</i>	<i>Description</i>
2	131-3562	1	Bearing-Sleeve	7	116-2670	1	Screw-Shoulder
4	323-10	1	Screw-HH	8	104-8300	1	Nut-HF, NI
5	104-8301	1	Nut-HF, NI	9	132-5146	1	Spring-Extension
6	110-7191	2	Washer-Thrust				

# Control Handle Assembly No. 132-5158

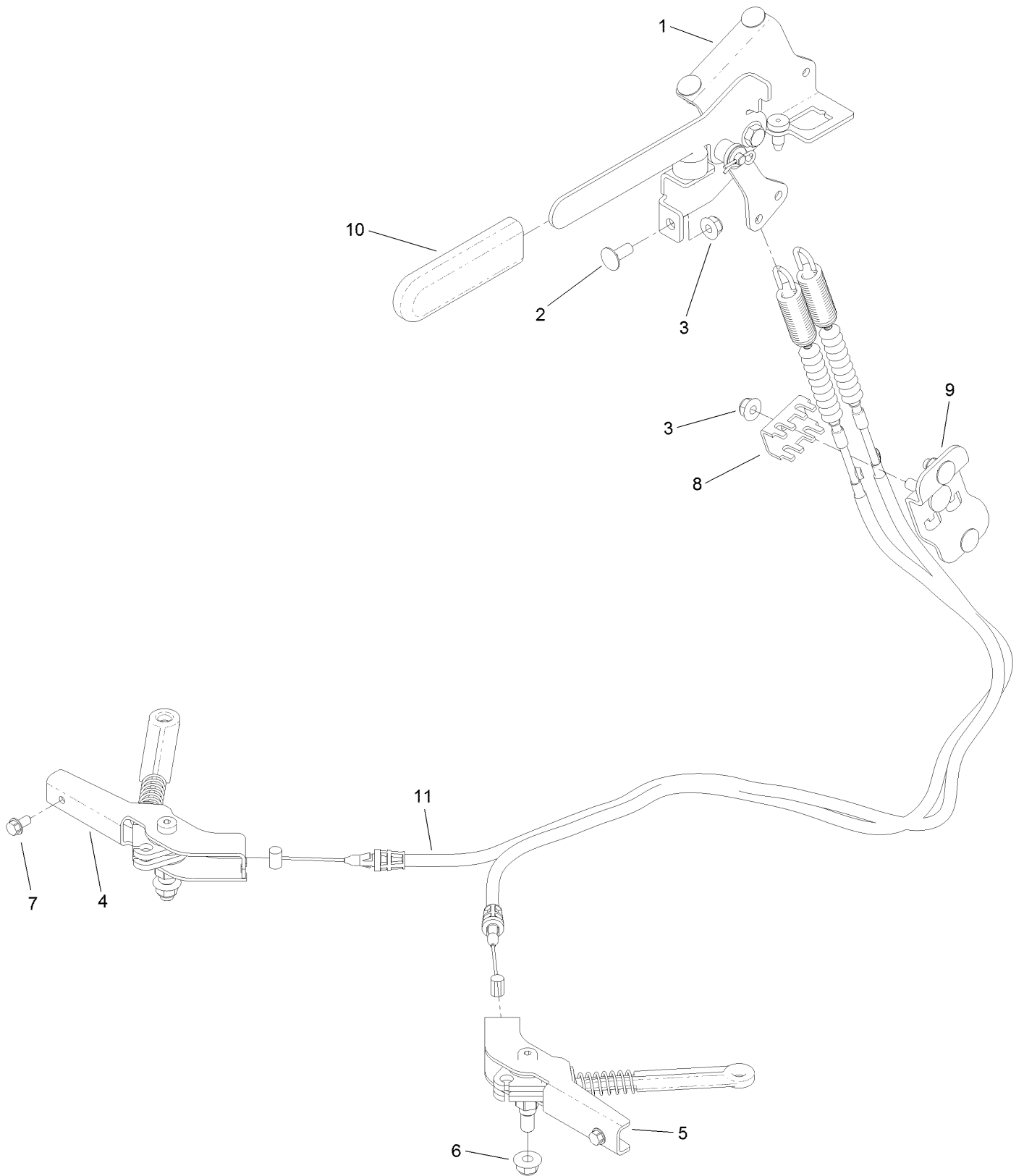


## Control Handle Assembly No. 132-5158 (continued)

<i>Ref.</i>	<i>Part Number</i>	<i>Qty.</i>	<i>Description</i>
3	104-8301	1	Nut-HF, NI
4	323-10	1	Screw-HH
5	110-7191	2	Washer-Thrust
6	116-2670	1	Screw-Shoulder

<i>Ref.</i>	<i>Part Number</i>	<i>Qty.</i>	<i>Description</i>
7	104-8300	1	Nut-HF, NI
8	131-3562	1	Bearing-Sleeve
9	132-5146	1	Spring-Extension

# Parking Brake Assembly

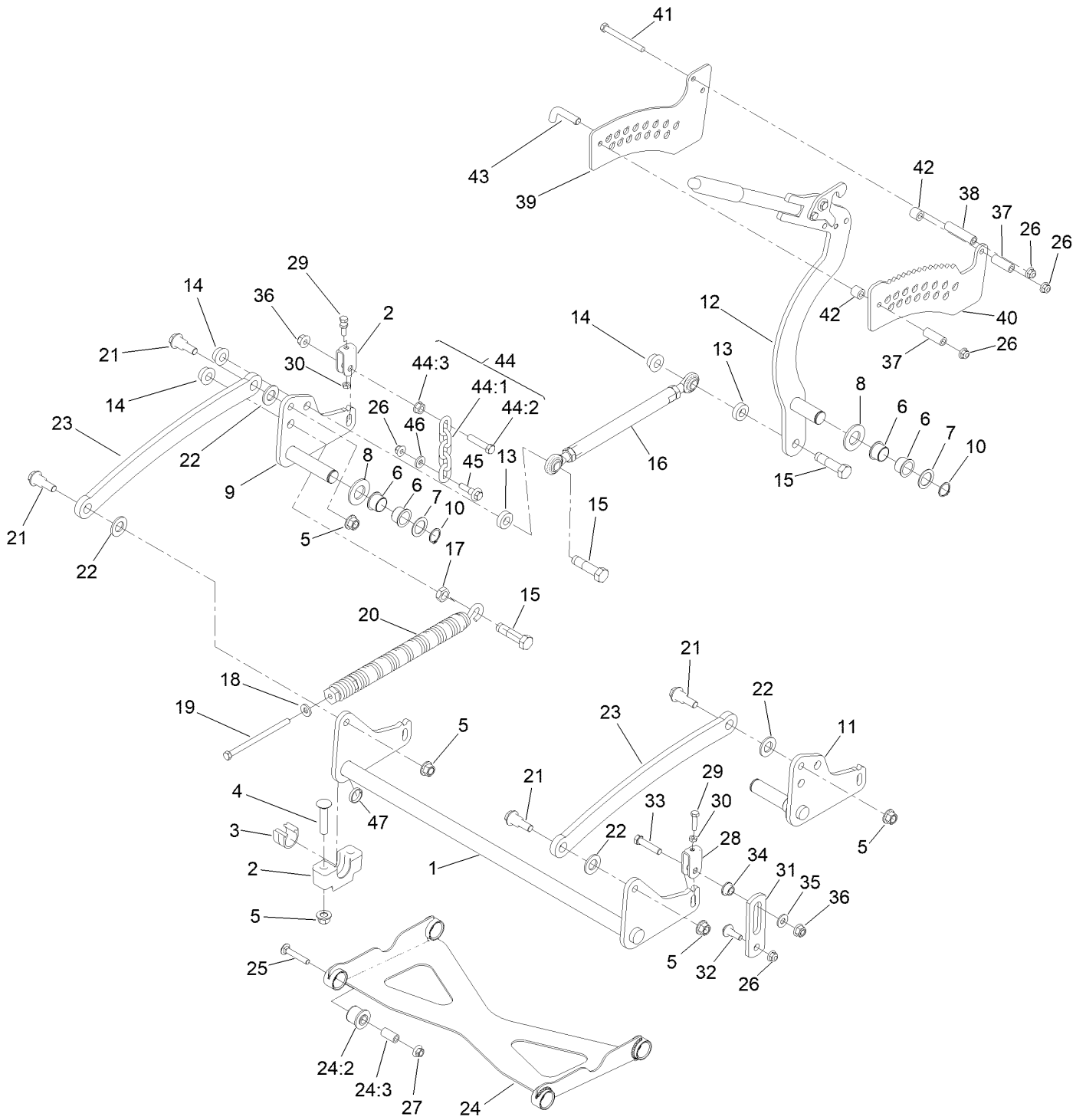




## Parking Brake Assembly (continued)

<i>Ref.</i>	<i>Part Number</i>	<i>Qty.</i>	<i>Description</i>	<i>Ref.</i>	<i>Part Number</i>	<i>Qty.</i>	<i>Description</i>
1	132-5170	1	Brake Handle ASM	7	32144-4	2	Screw-HWH
2	3230-23	5	Bolt-CARR	8	132-1187	1	Clamp-Cable
3	104-8300	6	Nut-HF, NI	9	132-7582	1	Mount-Cable, Brake
4	132-5168	1	RH Brake Caliper ASM	10	1-633268	1	Grip-Lever
5	132-5169	1	LH Brake Caliper ASM	11	131-1195	2	Cable-Brake
6	104-8301	2	Nut-HF, NI				

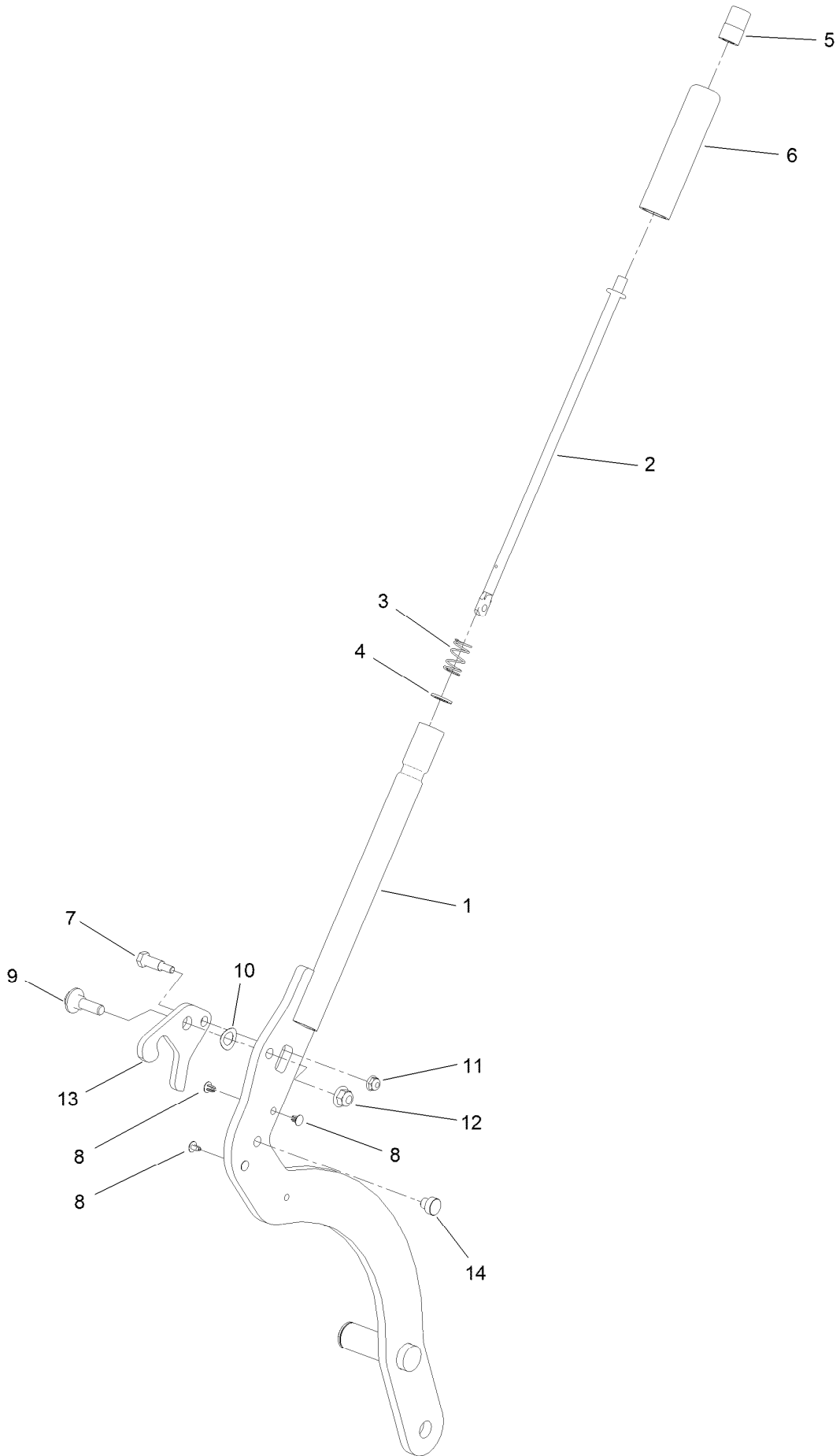
# Deck Lift Assembly



## Deck Lift Assembly (continued)

<i>Ref.</i>	<i>Part Number</i>	<i>Qty.</i>	<i>Description</i>	<i>Ref.</i>	<i>Part Number</i>	<i>Qty.</i>	<i>Description</i>
1	120-8405-01	1	Shaft-Cross, Front	25	3231-7	4	Screw-CARR
2	109-9409	2	Support-Bearing, Cross Shaft (Front)	26	104-8301	7	Nut-HF, NI
3	109-9410	2	Bearing-Cross Shaft, Front	27	32128-19	4	Nut-HF Lock, Large Flg
4	116-1700	4	Bolt-CARR	28	109-9066	4	Yoke-Adjust, Deck
5	99-5107	8	Nut-Lock	29	322-47	4	Screw-HH
6	127-0369	6	Bushing	30	3218-2	8	Nut-Hex Jam
7	10-8110	3	Washer-Thrust	31	130-6589	2	Link-Lift
8	3256-62	3	Washer-Flat	32	109-9840	2	Screw-Shoulder, HHF
9	120-8411-01	1	Arm-Lift, RH	33	109-9065	2	Screw-HH
10	32151-29	3	Ring-Retaining	34	116-2428	2	Bushing-Flanged
11	120-8410-01	1	Arm-Lift, LH	35	3256-4	2	Washer-Flat
12	161-6735	1	HOC Lever ASM	36	3296-48	4	Nut-Hex
13	119-6223	2	Washer	37	95-6448	2	Spacer
14	138-4932	3	Nut-Hex Flg	38	138-1111	1	Spacer
15	138-4931	3	Screw-Lock	39	132-7581	1	HOC Plate And Decal ASM
16	130-6615	1	HOC Link ASM	40	138-4887	1	Plate-HOC, Inner
17	3218-6	1	Nut-Jam	41	116-4701	3	Screw-HHF
18	98-5975	1	Washer-Belleville	42	121-1760	2	Spacer
19	323-58	1	Bolt-TAP, HH	43	116-5584	1	Pin-HOC
20	116-0886	1	Spring-Extension	44	116-0756	2	Deck Lift Chain ASM
21	116-0780	4	Screw-Shoulder, HHF	44:1	1-633447	1	Chain-Lift, Deck
22	3256-28	4	Washer-Flat	44:2	109-9065	1	Screw-HH
23	127-1948-03	2	Link-Lift	44:3	32128-37	1	Nut-HF
24	137-4129	1	Deck Strut ASM	45	130-0742	2	Bolt-Shoulder
24:2	137-4108	4	Bushing-Rubber	46	43-0940	2	Spacer
24:3	108-6544	4	Spacer	47	133-1431	1	Spacer-Split

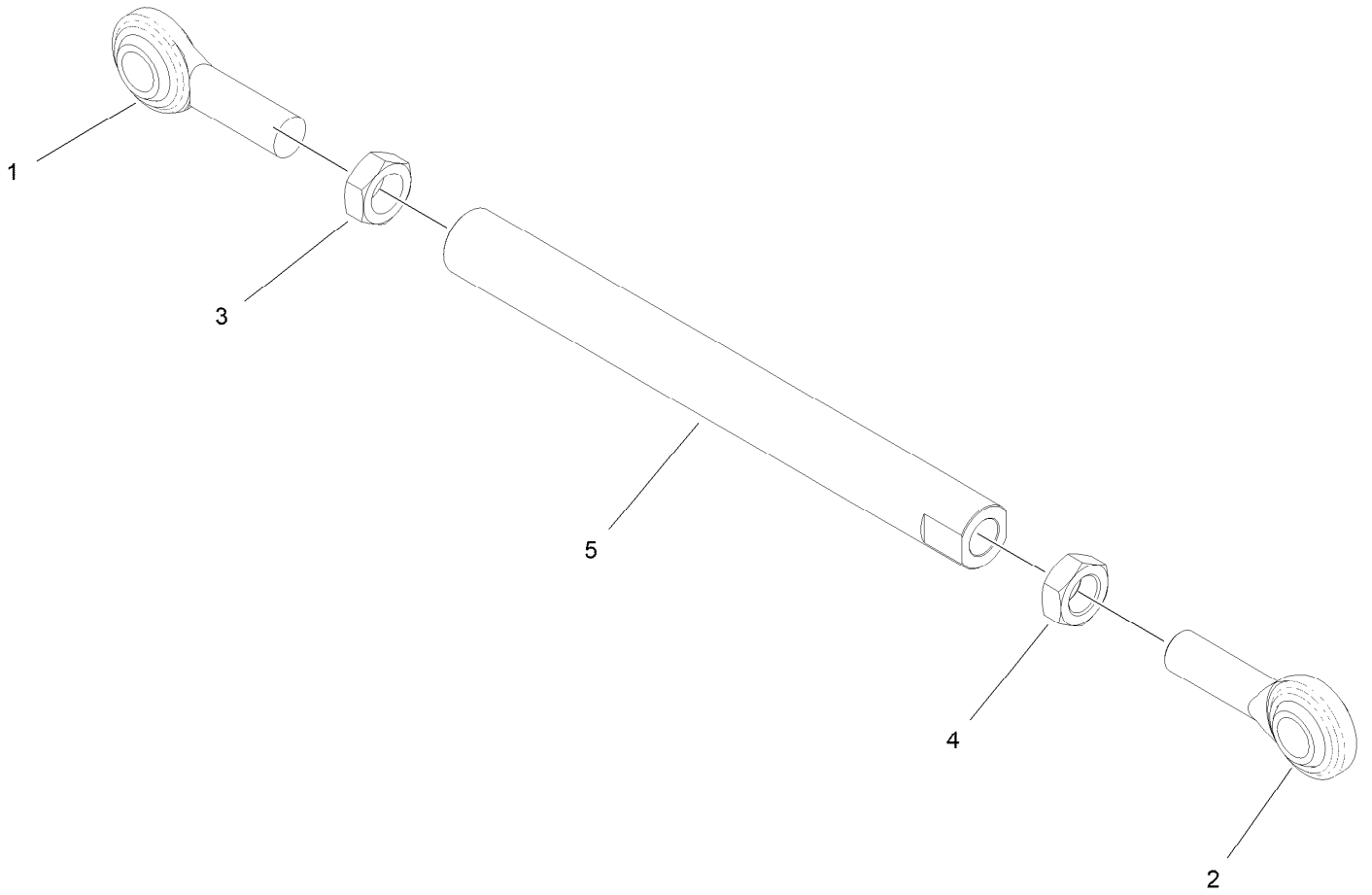
# HOC Lever Assembly No. 161-6735



## HOC Lever Assembly No. 161-6735 (continued)

<i>Ref.</i>	<i>Part Number</i>	<i>Qty.</i>	<i>Description</i>	<i>Ref.</i>	<i>Part Number</i>	<i>Qty.</i>	<i>Description</i>
1	161-6736-01	1	Lift Lever ASM [red]	8	103-1363	4	Rivet
2	136-0530	1	Rod-Latch, Release	9	614672	1	Screw-Shoulder, HWH
3	114-8187	1	Spring-Compression	10	110-8982	1	Washer-Spring
4	114-1207	1	Washer-Special	11	104-7201	1	Nut-HF, NI
5	115-2750	1	Knob	12	104-8301	1	Nut-HF, NI
6	115-3592	1	Grip	13	138-4888	1	Latch-HOC
7	119-2309	1	Bolt-Shldr,HH	14	138-4863	1	Plug-Wear

# HOC Link Assembly No. 130-6615

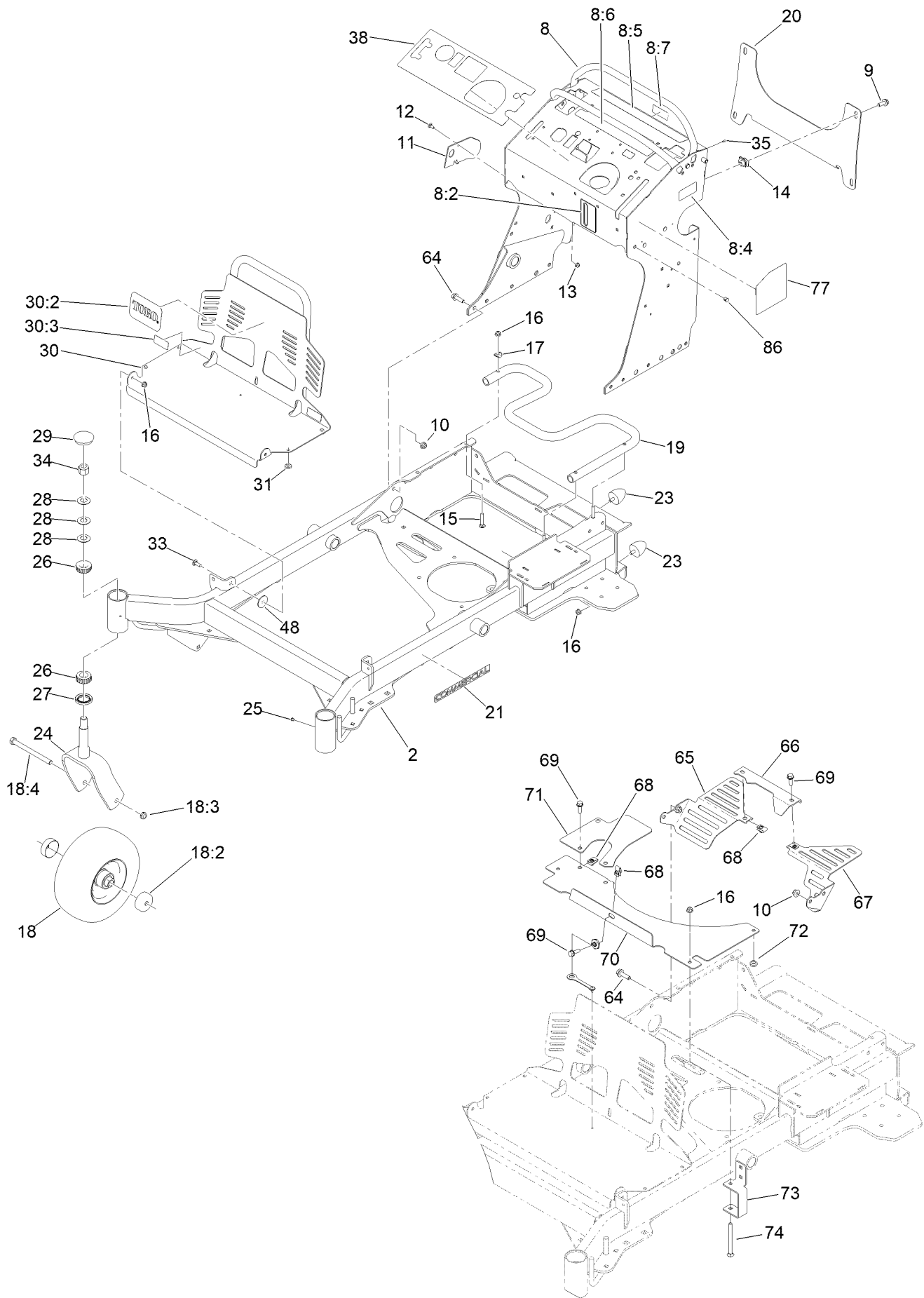


# HOC Link Assembly No. 130-6615 (continued)

<i>Ref.</i>	<i>Part Number</i>	<i>Qty.</i>	<i>Description</i>
1	1-633029	1	Balljoint-Spherical
2	117-5291	1	Balljoint-Spherical
3	3220-6	1	Nut-Jam

<i>Ref.</i>	<i>Part Number</i>	<i>Qty.</i>	<i>Description</i>
4	117-5293	1	Nut-Jam
5	130-6614	1	Link-Height Of Cut

# Frame Assembly





## Frame Assembly (continued)

<i>Ref.</i>	<i>Part Number</i>	<i>Qty.</i>	<i>Description</i>	<i>Ref.</i>	<i>Part Number</i>	<i>Qty.</i>	<i>Description</i>
2	131-7423-01	1	Frame	27	116-5647	2	Seal-Grease
8	140-4284	1	Tower ASM	28	1-633508	6	Washer-Bellville
8:2	147-7921	1	Decal-Oil Level	29	103-4882	2	Cap-Grease
8:4	116-8775	1	Decal-Fill, Fuel	30	161-3586	1	Engine Guard ASM W/Decals
8:5	139-5556	1	Decal-Warning	30:2	105-8278	1	Decal
8:6	131-3526	1	Decal-Controls	30:3	133-4641	2	Decal-Warning, No Riders
8:7	147-0212	1	Decal - Fuse	31	1-513658	4	Bumper
9	3234-42	4	Screw-HHF	33	3230-10	2	Bolt-CARR
10	104-8301	8	Nut-HF, NI	34	3296-51	2	Nut-Lock, NI
11	131-7455	1	Plate-Striker	35	3290-271	2	Rivet-Pop
12	3229-11	1	Screw-CARR	38	140-4258	1	Decal-Panel, Control
13	104-7201	1	Nut-HF, NI	48	107-3002	2	Washer-Nylon
14	105-4886	4	Nut-Tinnerman	64	119-4061	8	Screw-HHF
15	3230-5	3	Bolt-CARR	65	133-4619-01	1	Guard-Fan, RH (CE)
16	104-8300	9	Nut-HF, NI	66	133-4618-01	1	Guard-Fan, Center (CE)
17	107-3844	3	Washer	67	133-4622-01	1	Guard-Fan, LH (CE)
18	140-5485	2	Mf Wheel Tire Bearing ASM	68	94-2413	5	Nut-U
18:2	103-2768	2	Guard-Seal	69	3234-29	5	Screw-HHF
18:3	3296-45	1	Nut-Hex	70	134-3810-03	1	Guard-Extension [black]
18:4	325-20	1	Screw-HH	71	133-4649-03	1	Guard-Belt, CE
19	132-5161-01	1	Tube-Mount, Fuel Tank	72	1-513658	2	Bumper
20	132-1145-03	1	Bracket-Cross	73	131-3530-03	1	Bracket-Mounting, Guard
21	117-3591	2	Decal-Commercial	74	106-9758	1	Screw-CARR
23	114-1926	4	Bumper-Rubber	77	139-5571	1	Decal - Service Rd, CE
24	147-6343-01	2	Caster Fork ASM [red]	86	145-3595	3	Dome Panel Plug
25	1-811010	2	Plug				
26	1-543509	4	Bearing-Roller, Tapered				

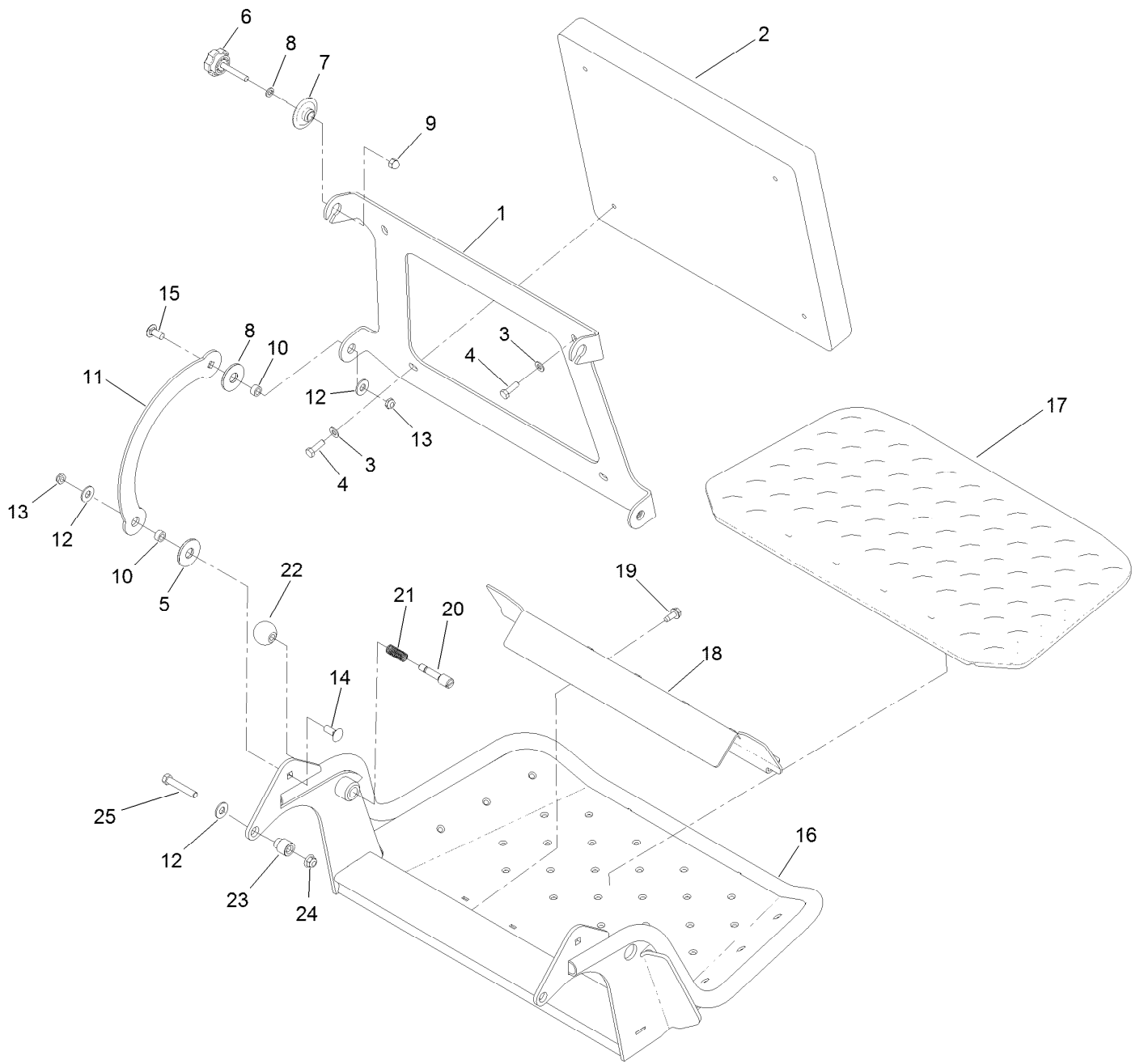
# Wheel and Bearing Assembly



## Wheel and Bearing Assembly (continued)

<i>Ref.</i>	<i>Part Number</i>	<i>Qty.</i>	<i>Description</i>	<i>Ref.</i>	<i>Part Number</i>	<i>Qty.</i>	<i>Description</i>
1	1-633585	2	Bearing-Cone, Taper	4	126-5359	1	Caster Axle ASM
2	103-0063	2	Seal-Caster	5	140-5483	1	Mf Wheel And Tire ASM
3	103-3051	1	Spacer-Nut				

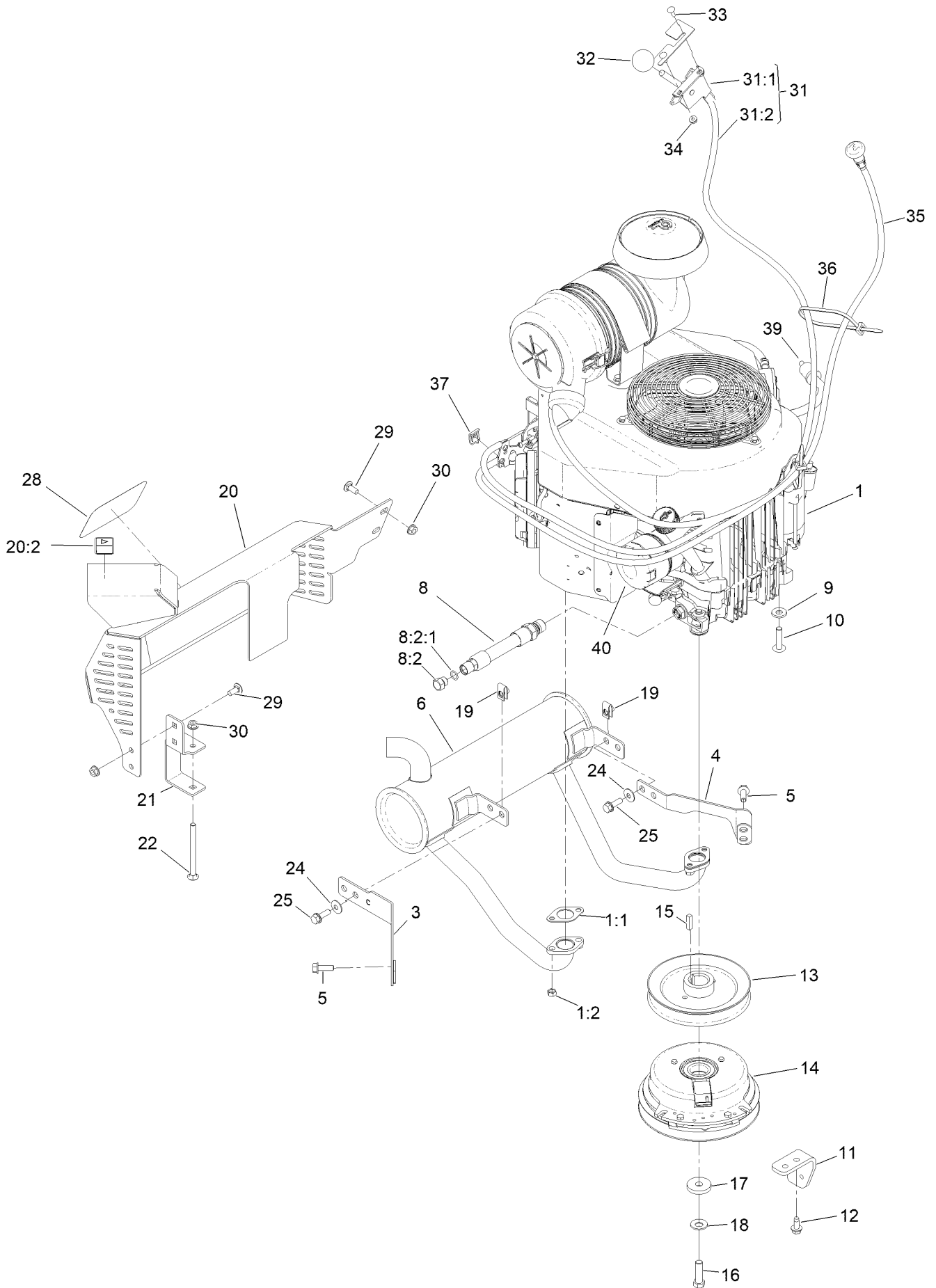
# Platform Assembly



## Platform Assembly (continued)

<i>Ref.</i>	<i>Part Number</i>	<i>Qty.</i>	<i>Description</i>	<i>Ref.</i>	<i>Part Number</i>	<i>Qty.</i>	<i>Description</i>
1	120-8499-03	1	Hinge-Pad	14	3231-2	2	Bolt-CARR
2	117-9739	1	Pad-Cushion	15	3231-27	2	Screw-CARR
3	3256-23	4	Washer-Plain	16	161-6796-01	1	Platform ASM [red]
4	121-7999	4	Screw-HH, Patch	17	126-7157	1	Mat-Platform
5	114-0463	4	Washer-Friction, Composite	18	3345-771	1	Shield Clamp Kit
6	133-1426	2	Knob	19	32144-70	2	Screw-HWHTF
7	116-2886	2	Slide-Bushing	20	119-8650	1	Pin-Latch
8	3253-4	2	Washer-Lock	21	114-5348	1	Spring
9	137-4808	2	Nut-Acorn	22	1-603175	1	Knob-Ball
10	111044	4	Spacer	23	132-7583	2	Bushing-Flanged
11	114-1915-01	2	Link-Pad	24	104-8301	2	Nut-HF, NI
12	3256-4	6	Washer-Flat	25	323-45	2	Screw-HH
13	3296-59	4	Nut-Lock, NI				

# Engine Assembly



## Engine Assembly (continued)

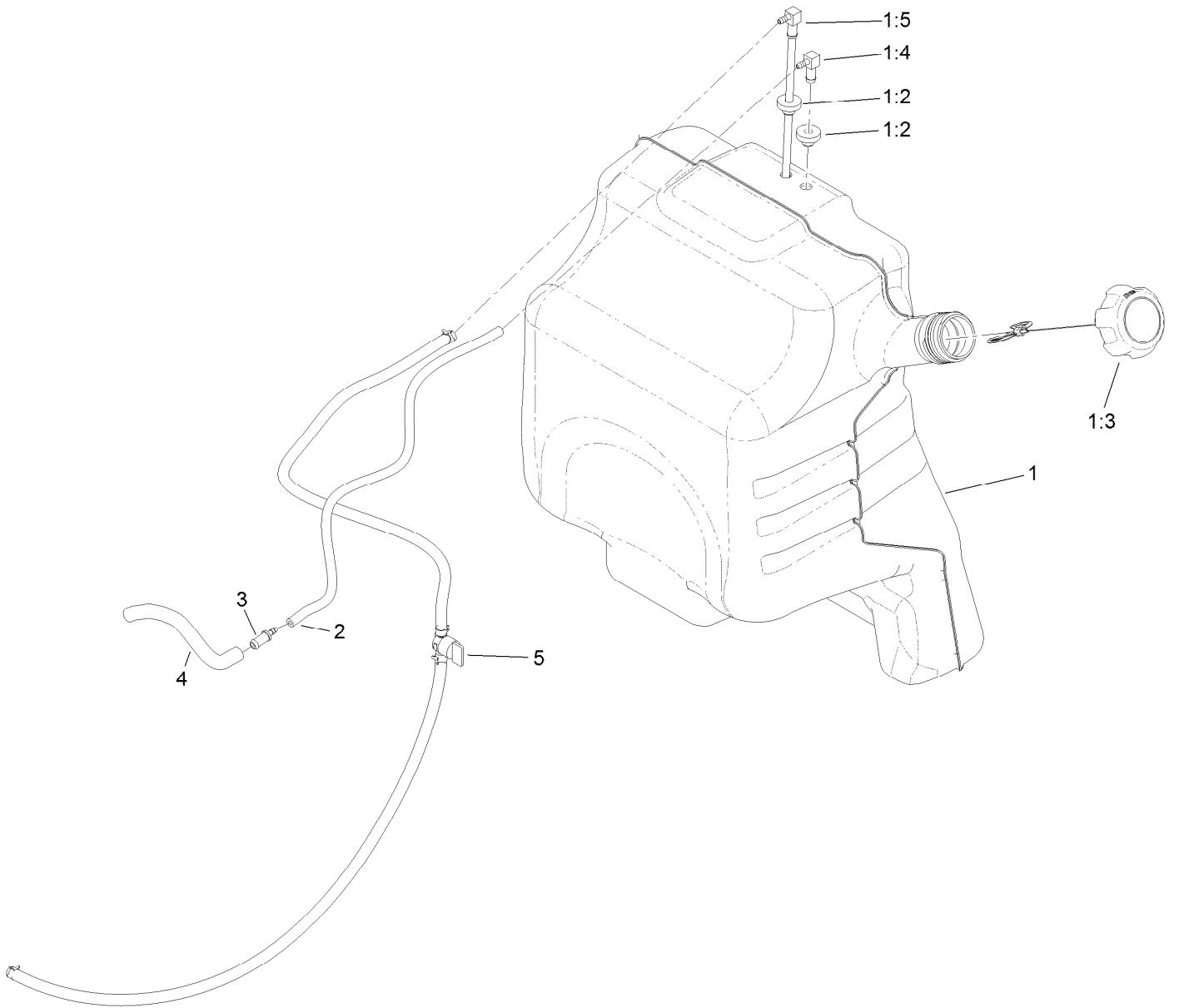
<i>Ref.</i>	<i>Part Number</i>	<i>Qty.</i>	<i>Description</i>	<i>Ref.</i>	<i>Part Number</i>	<i>Qty.</i>	<i>Description</i>
1		1	Engine Kawasaki, Fx691V ■	18	1-603610	1	Washer-Spring
			▲	19	94-2413	4	Nut-U
1:1	1-653313	2	Gasket-Exhaust	20	131-3550	1	Muffler Guard ASM
1:2	114-3549	4	Nut	20:2	106-5517	1	Decal-Warning
1:5	119-5945	1	Element-Filter, Air (Inner) ●	21	131-3530-03	1	Bracket-Mounting, Guard
1:6	119-5944	1	Element-Filter, Air (Outer) ●	22	106-9758	1	Screw-CARR
1:7	95-9853	1	Bolt (5X18) ●	24	3290-456	4	Washer-Belleville
3	132-1173	1	Bracket-Muffler, Front	25	3234-29	4	Screw-HHF
4	132-1174	1	Bracket-Muffler, Rear	28	94-2579	1	Decal
5	33104-025	4	Screw-HHF	29	3230-23	4	Bolt-CARR
6	133-4633	1	Muffler	30	32128-25	5	Nut-HF
8	133-4659	1	Hose ASM	31	147-1664	1	Throttle ASM
8:2	353-508	1	Plug-HH	31:1	145-6187	1	Lever-Control
8:2:1	237-42	1	O-Ring	31:2	147-1674	1	Cable-Throttle
9	98-5975	4	Washer-Belleville	32	1-603175	1	Knob-Ball
10	126-0983	4	Screw-BHTF	33	1-807533	2	Bolt-CARR
11	131-3586-03	1	Stop-Clutch	34	32128-17	2	Nut-Lock, Flange
12	32144-70	2	Screw-HWHTF	35	132-5140	1	Cable-Choke
13	120-8498	1	Pulley	36	3290-378	1	Tie-Cable
14	139-7910	1	Clutch-200Cms	37	81-1690	1	Clamp-Cable
15	1-807259	1	Key	39	121-4570	1	Filter-Fuel
16	3212-6	1	Screw-HH	40	119-5852	1	Filter-Oil
17	1-543610	1	Washer-Flat				

● Not illustrated

▲ Obtain parts from [www.kawpower.com](http://www.kawpower.com)

■ Not serviced separately

# Fuel Tank Assembly

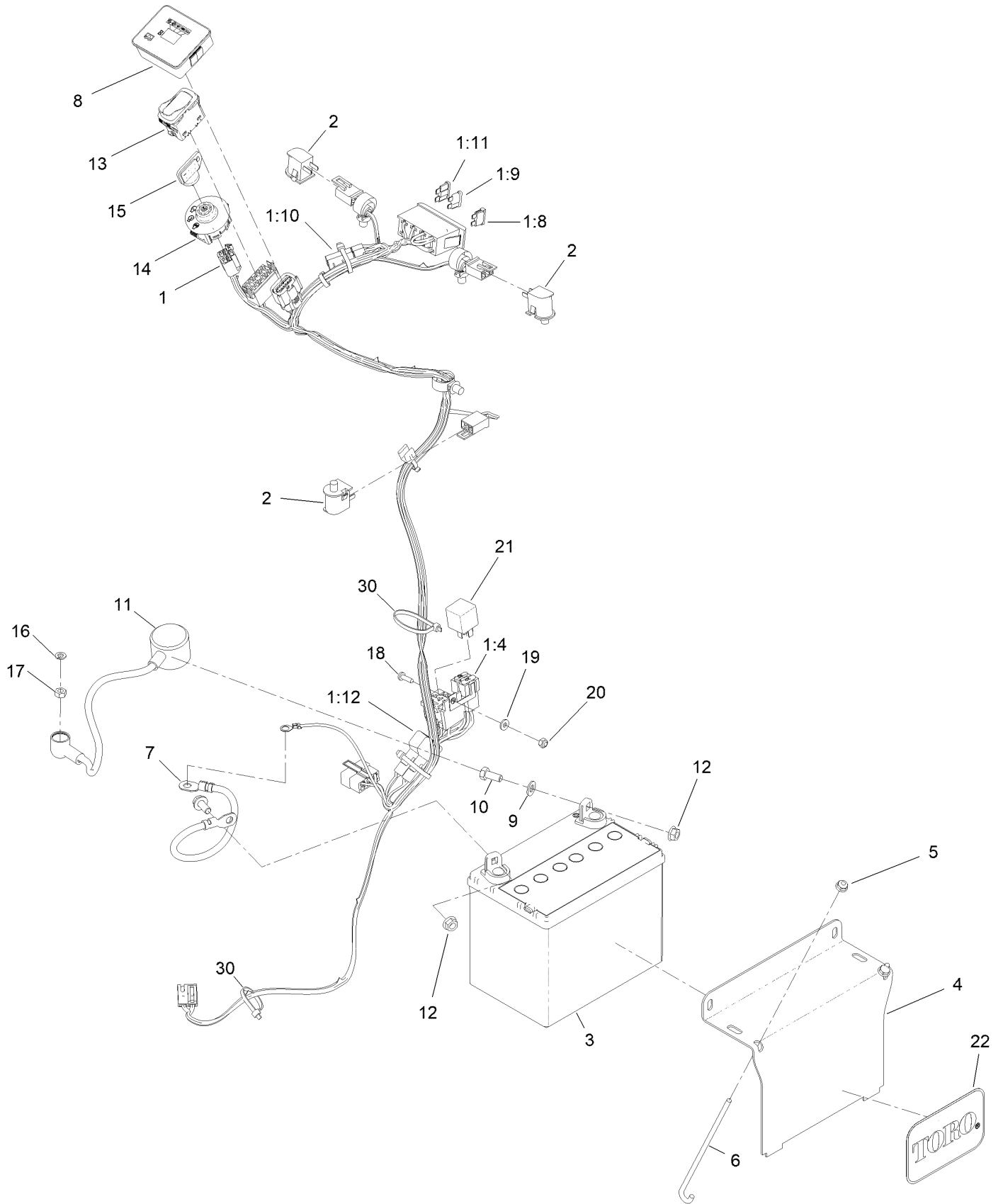




## Fuel Tank Assembly (continued)

<i>Ref.</i>	<i>Part Number</i>	<i>Qty.</i>	<i>Description</i>	<i>Ref.</i>	<i>Part Number</i>	<i>Qty.</i>	<i>Description</i>
1	132-7560	1	Fuel Tank ASM	2	110-8255	1	Hose-Fuel
1:2	46-6560	2	Bushing	3	98-2952	1	Fitting-Straight
1:3	137-4127	1	Cap-Fuel	4	132-7576	1	Hose-Fuel
1:4	104-5228	1	Fitting-Elbow, 90 DEG	5	132-7546	1	Fuel Line ASM
1:5	145-6195	1	ASM, Tube-Fuel				

# Electrical Assembly



## Electrical Assembly (continued)

<i>Ref.</i>	<i>Part Number</i>	<i>Qty.</i>	<i>Description</i>	<i>Ref.</i>	<i>Part Number</i>	<i>Qty.</i>	<i>Description</i>
1	145-5228	1	Harness-Wire, Grandstand	10	322-3	2	Screw-HH
1:4	109101	1	Fuse-Blade, 20 Amp	11	115-3864	1	Cable-Battery, Positive
1:8	109355	2	Fuse-Blade, 15 Amp	12	109-5715	2	Nut-HHF, Smooth
1:9	218-578	1	Fuse-Blade, 10 Amp	13	139-6367	1	Switch-Rocker, (On)-On-Off
1:10	116-0053	2	Cap-Plug	14	137-4101	1	Switch-Ignition
1:11	110928	1	Fuse-Blade, 5 Amp	15	63-8360	1	Key-Ignition
1:12	109103	1	Fuse-Blade, 30 Amp	16	3253-3	1	Washer-Lock
2	82-2190	3	Switch-Bail	17	3217-5	1	Nut-Hex
3	104-8162	1	Battery	18	3290-500	1	Screw-PPH
4	130-6635-01	1	Bracket-Hold Down, Battery	19	3256-14	1	Washer-Flat
5	104-7201	2	Nut-HF, NI	20	3296-2	1	Nut-Lock, NI
6	1-633651	2	Bolt-Holddown	21	1-643275	1	Relay
7	112-7063	1	Cable-Battery, Black	22	67-1300	1	Decal
8	140-1884	1	Module-Meter, Hour	30	3290-378	2	Tie-Cable
9	3256-23	2	Washer-Plain				

# Attachments and Accessories

## For 72542TE GrandStand Mower With 122cm Rear Discharge TURBO FORCE Cutting Unit

Product Name	Model/Part
Hypr-Oil 500 (quart).....	114-4713
Hypr-Oil 500 (gallon).....	114-4714
Hypr-Oil 500-5 (5 gallon).....	114-4715
Oil Filter .....	119-5852
Element-Filter, Air (Outer).....	119-5944
Element-Filter, Air (Inner).....	119-5945
Fuel Filter.....	120-2235
Harness Wire Splitter.....	121-5988
Toro Premium Fuel Treatment 12oz Bottle.....	131-6572
Speed Setting Tool.....	132-7595
Stand-On Weight Kit.....	133-1428
Trash Bag Assembly.....	133-1435
Light Kit.....	133-1437
Electric Accessory Port.....	133-1438
Trimmer Rack .....	133-1441
Hydro Oil Change Kit .....	133-1457
5 Gallon Bucket .....	133-2533
Recycler Kit .....	134-3259
HOC Set Blocks.....	134-3945
Hydraulic Cap Lock Kit.....	136-5420
18x8.5n10 X-Tweel Turf.....	139-7890
Blade-16.50 High Flow .....	140-1243
Pneumatic Castor Wheel Kit.....	140-4311
Blade-16.50 Medium Flow .....	140-4860
Blade-16.50 Low Flow .....	140-4861
Blade-16.50 Atomic .....	140-4862
Blade-16.50 Recycler .....	140-4863
6 Pack-Blade, 16.5 High Flow.....	140-4887
6 Pack-Blade, 16.5 Med Flow .....	140-4888
6 Pack-Blade, 16.5 Low Flow .....	140-4889
6 Pack-Blade, 16.5 Atomic.....	140-4890
6 Pack-Blade, 16.5 Recycler.....	140-4891
2 Transmission Filter Kit .....	144-3842
Blade-16.50 High Flow .....	147-6250
6 Pack-Blade, 16.50 High Flow.....	147-6254
Kit-pneumatic Caster Tire .....	161-3470
Kit-semi Pneu Caster Tire.....	161-3471
10W30 4-Cycle Engine Oil (32oz Bottle).....	38280
Toro 4-Cycle SAE 30 Oil (32oz Bottle) .....	38903
Spark Plug .....	92-2153
Spark Arrestor .....	98-9099

**Notes:**

**Notes:**

**Notes:**



**Count on it.**