



Count on it.

Parts Catalog

**Groundsmaster® e3200
2-Wheel Drive Traction Unit**

Model No. 31800—Serial No. 416500000 and Up



Ordering Replacement Parts

To order replacement parts, please supply the part number, the quantity, and the description of each part desired.

Understanding Reference Numbers

Each identified part in an illustration has a reference number. The reference number for a part also appears in the parts list, along with other information about the part.

This catalog uses two special reference number formats, one to indicate parts in a service assembly and another to indicate the quantity of a given part in an illustration.

Service Assembly Reference Numbers

Parts in service assemblies have reference numbers in the form a:b. The a represents the reference number of the entire service assembly and the b represents a sequential number unique to each part within the service assembly.

For example, a wheel assembly might be identified by reference number 6, the tire by 6:1, the valve by 6:2, and the wheel by 6:3. When you order the assembly identified by reference number 6, you receive all parts identified by reference numbers 6:1, 6:2, and 6:3. However, you may also order any part individually. Reference numbers of this type appear in illustration and in parts lists.

Reference Numbers Indicating Quantity

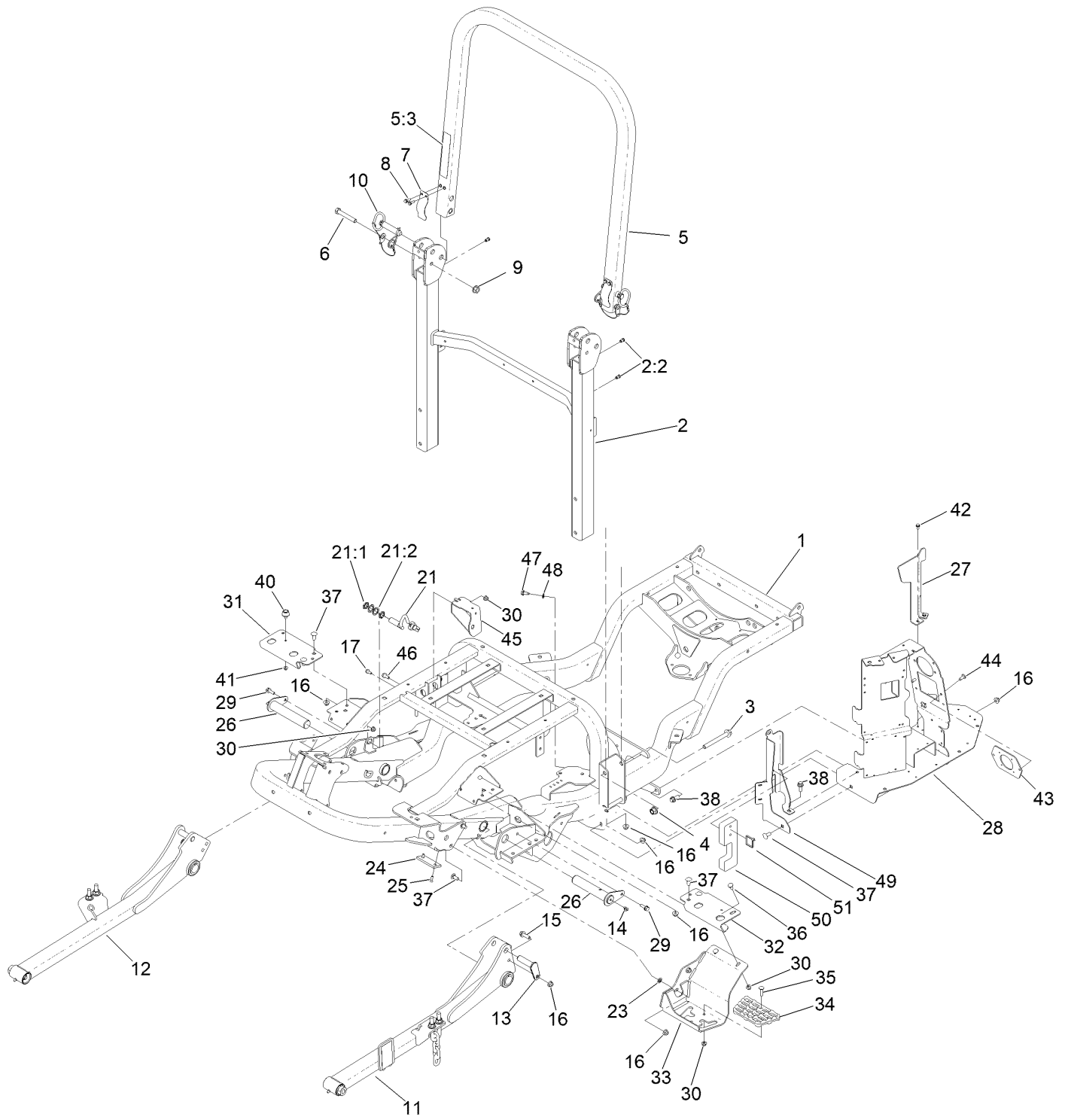
In an illustration, if a reference number indicates more than one part, the reference number has the form nX y. The n represents the quantity of the part, the X is the multiplication symbol, and the y represents the reference number.

For example, in an illustration, the reference number 2X 37 means that two of the parts identified by reference number 37 are indicated.

Contents

Frame and Roll-Over Protection System Assembly	4
LH Lift Arm Assembly No. 144-3943	6
RH Lift Arm Assembly No. 144-3942	8
Axle, Wheel and Motor/Generator Assembly	10
Rear Axle and Wheel Assembly	12
Tie Rod Assembly No. 144-3900	14
Hydraulic Assembly	16
Gear Pump Assembly No. 147-5115	18
Steering/Lift Manifold Assembly No. 145-0939	20
Hydraulic Tank Assembly NO. 145-1053	22
Steering Assembly	24
Steering Column Assembly No. 139-0857	26
Steering Valve Assembly No. 114-8119	28
Battery Assembly	30
Pedal Assembly	32
Platform Assembly	34
Control Console Assembly	36
Electrical Assembly	38
Main Wire Harness Assembly No. 122-2328	40
Hood Assembly	42
Miscellaneous Parts Assembly	44
Air Ride Suspension Seat Assembly No. 161-0807	46
Attachments and Accessories	48

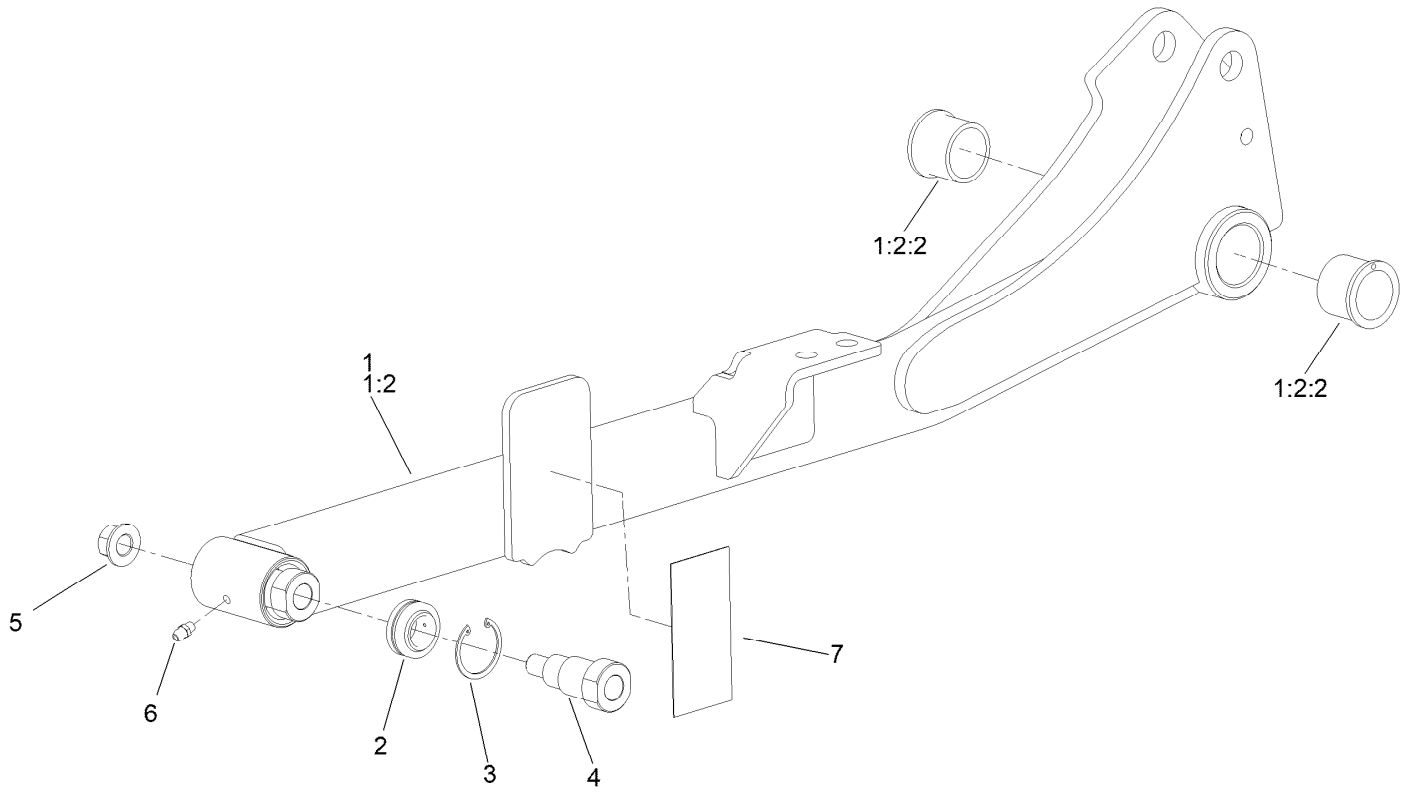
Frame and Roll-Over Protection System Assembly



Frame and Roll-Over Protection System Assembly (continued)

<i>Ref.</i>	<i>Part Number</i>	<i>Qty.</i>	<i>Description</i>	<i>Ref.</i>	<i>Part Number</i>	<i>Qty.</i>	<i>Description</i>
1	145-0980-03	1	Frame ASM, Welded	27	161-0822-0P	1	Bracket-Deflector
2	139-6254	1	ROPS ASM, Lower	28	145-1032-03	1	Charge Panel, Welded
2:2	138-2760	4	Nut-Clinch, Hex	29	3234-29	2	Screw-HHF
3	117-3176	4	Screw-HHF	30	104-8300	6	Nut-HF, NI
4	99-5107	4	Nut-Lock	31	139-0940-03	1	Bracket-Tank Mount, Front RH
5	138-7470	1	ROPS ASM, Upper	32	138-7365-03	1	Bracket-Tank Mount, Front LH
5:3	108-2073	1	Decal-Warning	33	139-0927-01	1	Bracket-Mount, Step
6	325-13	2	Screw-HH	34	126-4781	1	Step-Deck
7	110-5696	2	Spring-Leaf	35	3230-3	1	Screw-CARR
8	32105-15	4	Screw-HWH	36	3230-23	2	Bolt-CARR
9	32128-23	2	Nut-HF	37	3231-27	7	Screw-CARR
10	103-4553	2	ROPS Fold Pin ASM	38	3234-42	2	Screw-HHF
11	144-3943	1	Lift Arm ASM. LH	40	109-2365	1	Bumper-Rubber
12	144-3942	1	Lift Arm ASM. RH	41	104-7201	2	Nut-HF, NI
13	138-7489	2	Pin (Machined)	42	32144-4	2	Screw-HWH
14	302-40	2	Fitting-Grease, 90 DEG	43	161-0851-03	1	Adapter-Charger
15	119-4061	2	Screw-HHF	44	138-9753	2	Screw
16	104-8301	11	Nut-HF, NI	45	161-7639-0P	1	Bracket-Cable
17	99-6810	1	Screw-HHF	46	139-2598	1	Screw-HHF
21	115-5300	1	Proximity Switch ASM	47	32144-70	1	Screw-HWHTF
21:1	117-3207	2	Nut-Hex	48	120-9683	1	Washer-Plain
21:2	117-3208	2	Washer-Lock, Internal Tooth	49	161-7629-03	1	Shield-Pdu
23	107-3154	2	Nut-Push	50	161-7628	1	Foam-Seal, Cable
24	138-4452	2	Pad-Stop, Deck	51	3290-379	1	Tie-Cable
25	3289-4	4	Screw-FH				
26	145-1130	2	Pin ASM, Welded				

LH Lift Arm Assembly No. 144-3943

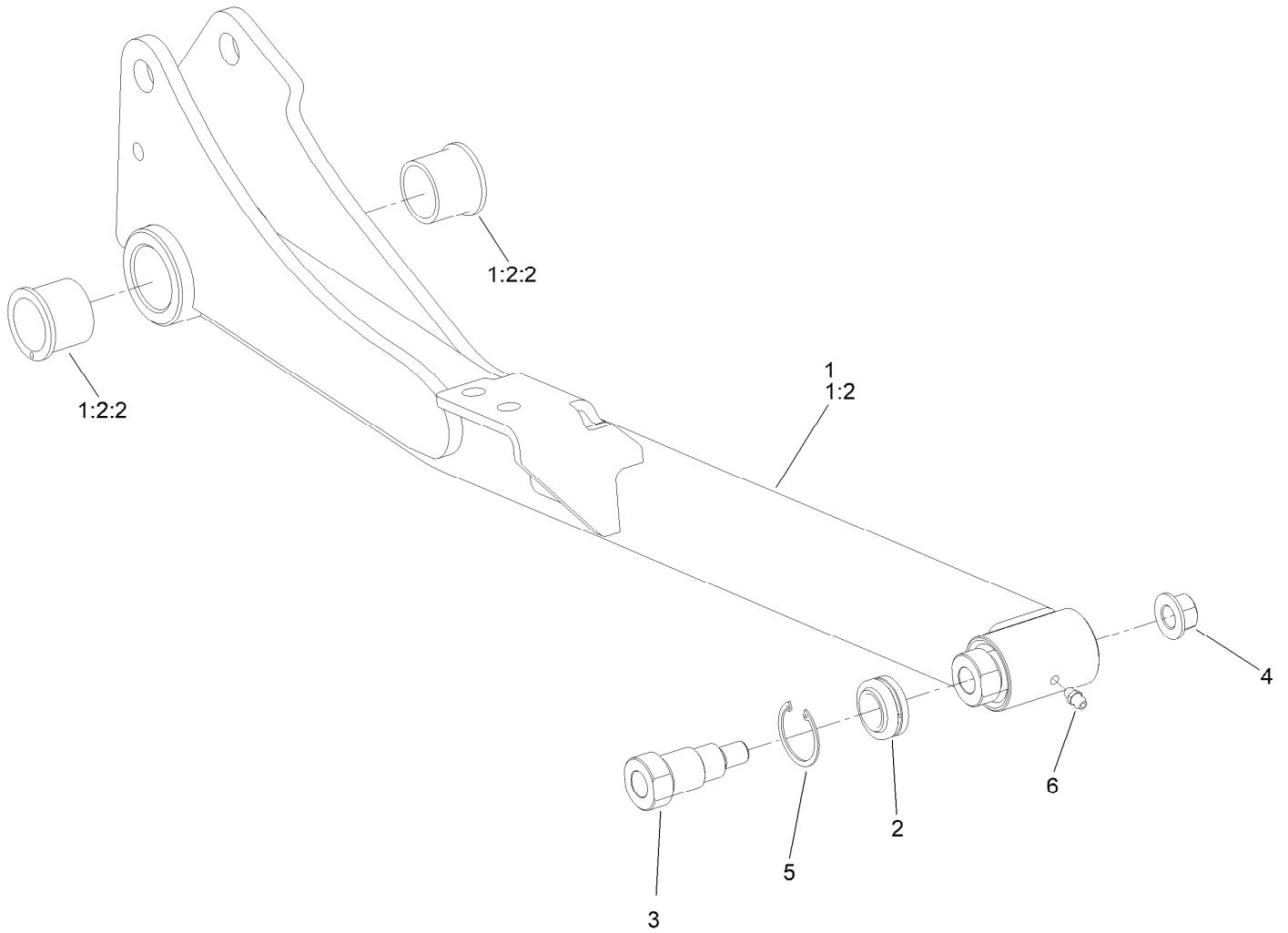


LH Lift Arm Assembly No. 144-3943 (continued)

<i>Ref.</i>	<i>Part Number</i>	<i>Qty.</i>	<i>Description</i>	<i>Ref.</i>	<i>Part Number</i>	<i>Qty.</i>	<i>Description</i>
1		1	Lift Arm ASM, LH ●	4	139-0910	1	Bolt-Shoulder
1:2		1	Hub-ASM ●	5	99-5107	1	Nut-Lock
1:2:2	104-0015	2	Bushing-Flange	6	302-5	1	Fitting-Grease
2	105-7441	1	Bearing-Spherical	7	139-0948	1	Pad-Ride, Pin
3	32151-34	1	Ring-Retaining				

● Not serviced separately

RH Lift Arm Assembly No. 144-3942

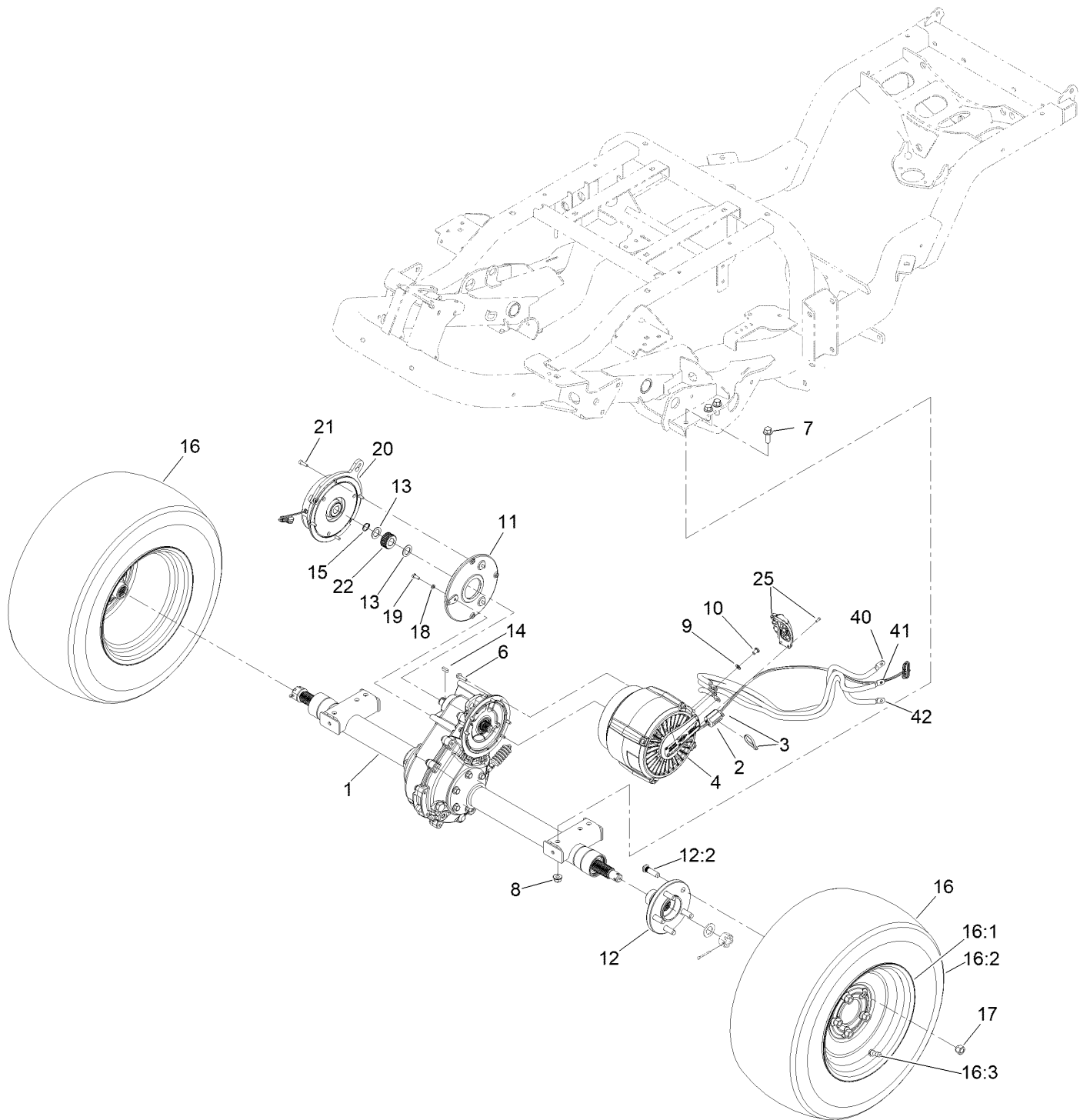


RH Lift Arm Assembly No. 144-3942 (continued)

<i>Ref.</i>	<i>Part Number</i>	<i>Qty.</i>	<i>Description</i>	<i>Ref.</i>	<i>Part Number</i>	<i>Qty.</i>	<i>Description</i>
1		1	Lift Arm ASM, RH ●	3	139-0910	1	Bolt-Shoulder
1:2		1	Hub-ASM ●	4	99-5107	1	Nut-Lock
1:2:2	104-0015	2	Bushing-Flange	5	32151-34	1	Ring-Retaining
2	105-7441	1	Bearing-Spherical	6	302-5	1	Fitting-Grease

● Not serviced separately

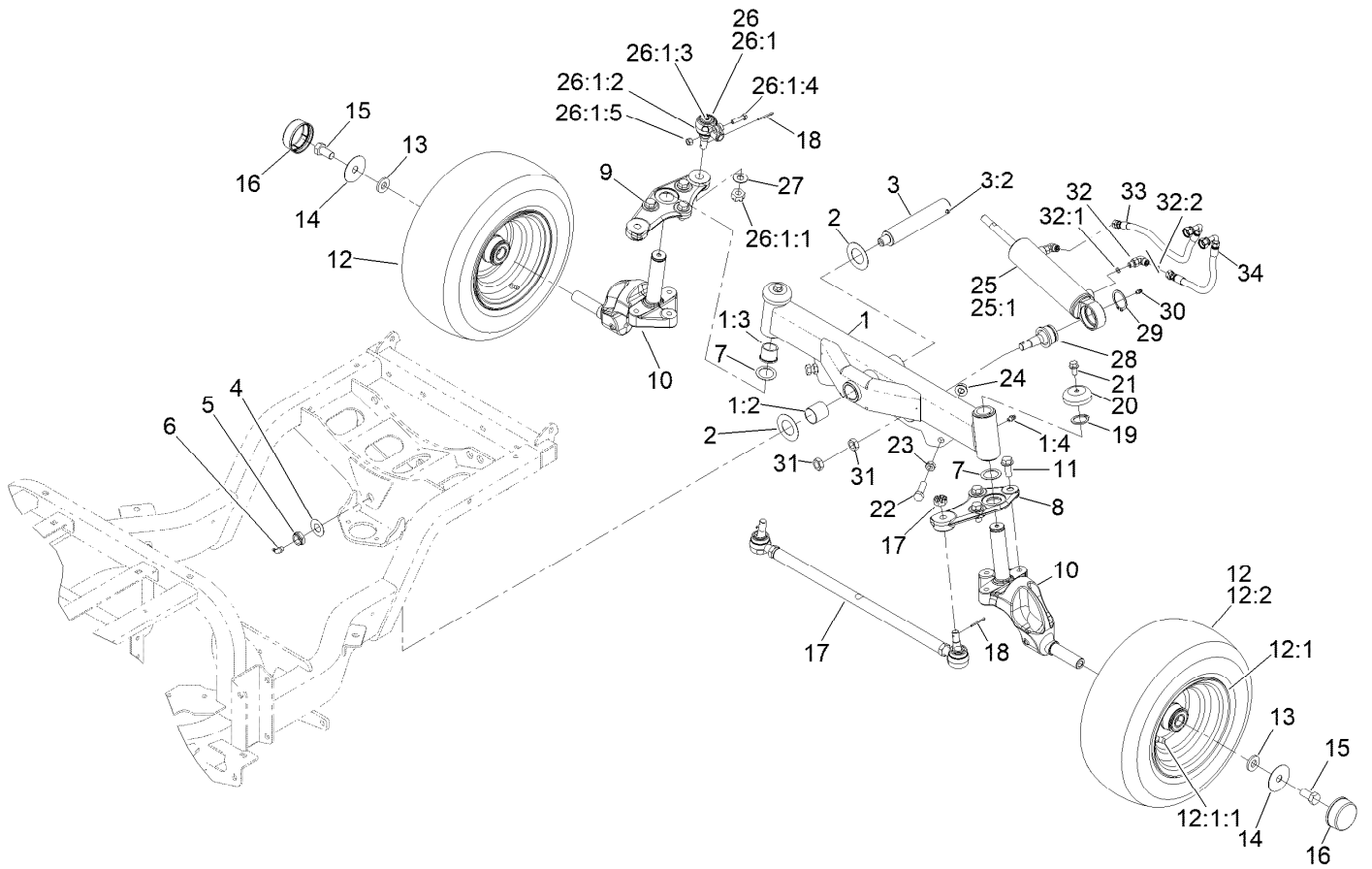
Axle, Wheel and Motor/Generator Assembly



Axle, Wheel and Motor/Generator Assembly (continued)

<i>Ref.</i>	<i>Part Number</i>	<i>Qty.</i>	<i>Description</i>	<i>Ref.</i>	<i>Part Number</i>	<i>Qty.</i>	<i>Description</i>
1	145-0905	1	Schafer Axle ASM, 24E	15	87-9370	1	Ring-Retaining
2	147-8183	1	Ferrite, Snap-On	16	137-2593	2	Wheel ASM
3	3290-378	2	Tie-Cable	16:1	137-2595	1	Rim
4	147-5116SP	1	Motor/Gen-48V, 9Kw	16:2	137-2581	1	Tire
6	33103-025	6	Screw-HHF	16:3	232-27	1	Stem-Valve
7	117-9035	6	Screw-HHF	17	242-50	10	Nut-Lug
8	144-2269	6	Nut-HF, NI	18	33093-00	3	Washer-Flat
9	147-5054	3	Washer-Belleville	19	33113-016	3	Screw-HH
10	147-5055	3	Screw-HSBH	20	145-1099	1	Brake ASM, Electric
11	145-1132-0P	1	Adapter-Brake [primed]	21	52-6290	4	Screw-HSH
12	145-0938	2	Wheel Hub ASM	22	145-1134	1	Hub-Splined
12:2	10-6830	5	Stud-Type, Drive	25	147-2120	1	Kit-Terminal Cover
13	145-1139	2	Washer-Poly	40	122-2709	1	Cable-Battery, Rd ASM
14	MSC15592	1	Key-Square,6 MM X 20MM, Din 6885-A	41	122-2710	1	Cable-Battery, Rd ASM
				42	122-2711	1	Cable-Battery, Rd ASM

Rear Axle and Wheel Assembly



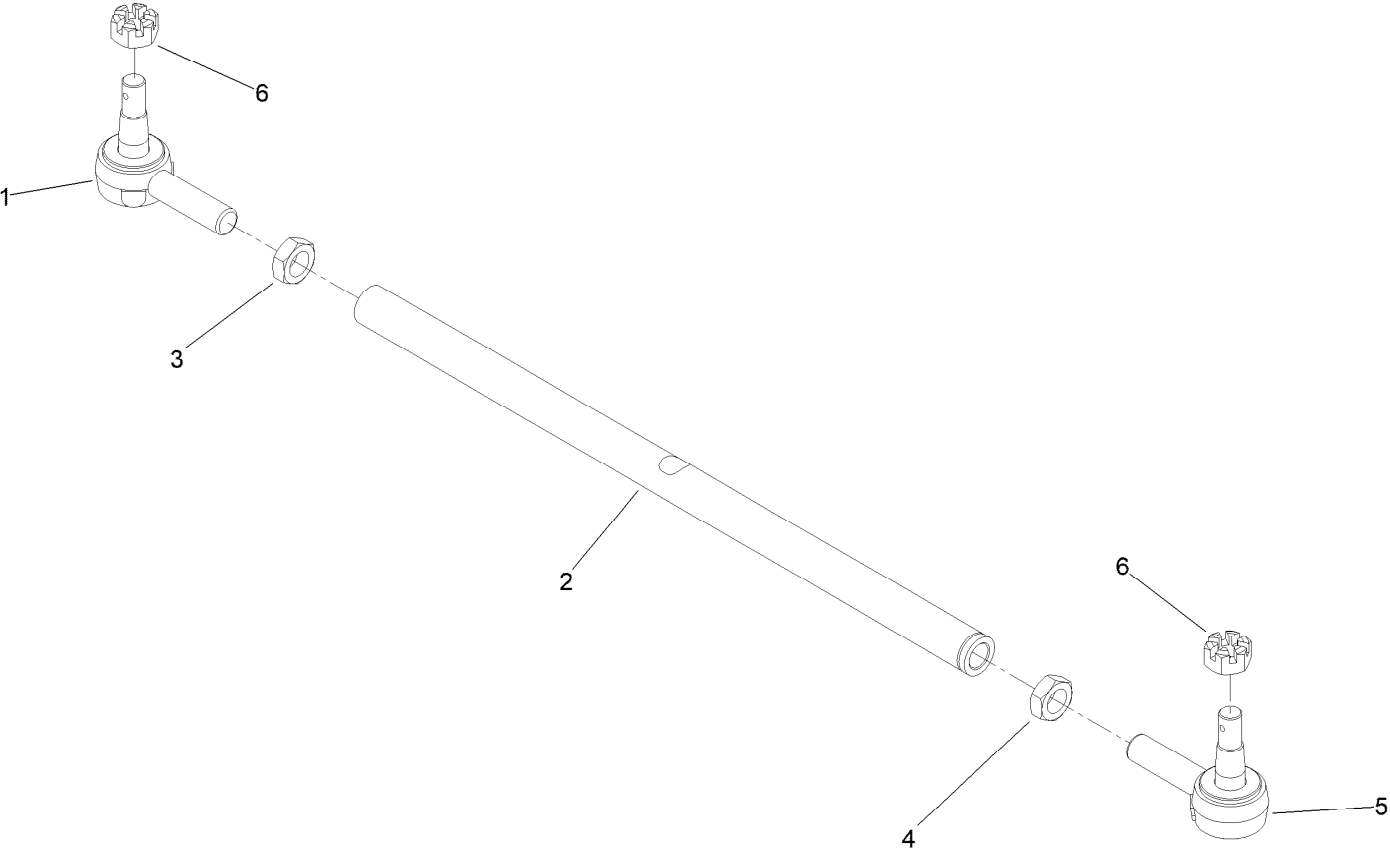
Rear Axle and Wheel Assembly (continued)

<i>Ref.</i>	<i>Part Number</i>	<i>Qty.</i>	<i>Description</i>	<i>Ref.</i>	<i>Part Number</i>	<i>Qty.</i>	<i>Description</i>
1	138-4588	1	Axle ASM	19	32151-77	2	Ring-Retaining, External
1:2	99-6964	2	Bushing-Axle	20	69-8890	2	Cap-Spindle
1:3	104-0015	4	Bushing-Flange	21	3234-1	2	Screw-HHF
1:4	302-5	2	Fitting-Grease	22	325-7	2	Screw-HH
2	99-8432	2	Washer-Thrust	23	3218-5	2	Nut-Jam
3	140-6101	1	Pin ASM-Axle Pivot	24	99-5107	2	Nut-Lock
3:2	32121-32	1	Pin-Roll	25	139-6277	1	Steering Cylinder
4	71-4540	1	Washer-Thrust	25:1	140-3120	1	Kit-Seal ●
5	3296-15	1	Nut-Lock, NI	26	106-6895-03	1	Ball Joint ASM
6	302-33	1	Fitting-Grease	26:1		1	Joint-Ball ■
7	76-2980	2	Washer-Thrust	26:1:1	32136-13	1	Nut-SHH
8	140-3144	1	Link-Drag, LH	26:1:2	106-6896	1	Seal
9	140-3142	1	Link-Drag, RH	26:1:3	302-5	1	Fitting-Grease
10	137-1647	2	Spindle-Steer	26:1:4	3210-7	1	Screw-HH
11	3234-38	6	Screw-HHF	26:1:5	32152-5	1	Nut-Hex
12	138-0310	2	Wheel ASM	27	69-8980	1	Washer
12:1	138-0311	1	Rim-8" X 5.38"	28	106-6774	1	Joint-Ball
12:1:1	232-27	1	Stem-Valve	29	32151-104	1	Ring-Retaining, External
12:2	1-413474	1	Tire-Turfmaster	30	302-5	1	Fitting-Grease
13	99-7667	2	Washer-Flat	31	3220-6	2	Nut-Jam
14	99-7719	2	Washer	32	340-132	2	Fitting-Elbow, 90 DEG
15	327-3	2	Screw-HH	32:1	237-78	1	O-Ring
16	94-7871	2	Cap-Dust	32:2	237-21	1	O-Ring
17	144-3900	1	Tie Rod ASM	33	115-0383	1	Hose ASM
18	3272-12	3	Pin-Cotter	34	137-2584	1	Hose ASM

● Not illustrated

■ Not serviced separately

Tie Rod Assembly No. 144-3900

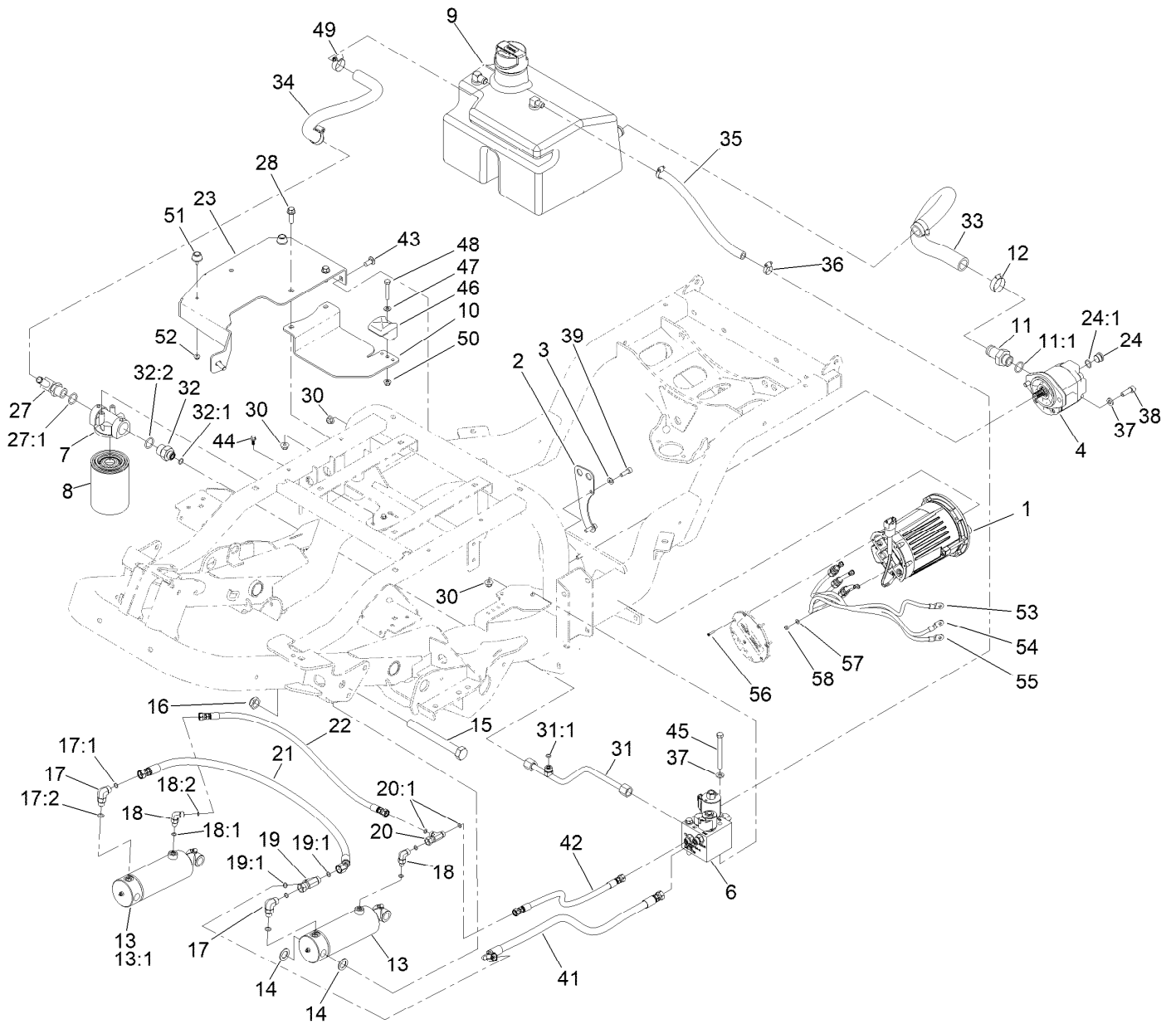


Tie Rod Assembly No. 144-3900 (continued)

<i>Ref.</i>	<i>Part Number</i>	<i>Qty.</i>	<i>Description</i>
1	144-3901	1	Tie Rod End
2	133-6463	1	Tie-Rod
3	84-5300	1	Nut-Jam

<i>Ref.</i>	<i>Part Number</i>	<i>Qty.</i>	<i>Description</i>
4	110-5337	1	Nut-Jam
5	144-3902	1	Tie Rod End
6	140-6135	2	Nut-Hex, Slotted

Hydraulic Assembly



Hydraulic Assembly (continued)

<i>Ref.</i>	<i>Part Number</i>	<i>Qty.</i>	<i>Description</i>	<i>Ref.</i>	<i>Part Number</i>	<i>Qty.</i>	<i>Description</i>
1	145-0995SP	1	Electric Motor, Ashwoods	27:1	237-81	1	O-Ring
2	147-2054-0P	1	Plate-Bulkhead	28	119-4061	1	Screw-HHF
3	33094-00	4	Washer-Plain	30	104-8301	6	Nut-HF, NI
4	147-5115	1	Pump-Gear	31	145-1088	1	Hydraulic Tube ASM
6	145-0939	1	Manifold-Steering/Lift	31:1	237-42	1	O-Ring
7	92-5821	1	Head-Filter	32	100-4240	1	Fitting-STR
8	86-3010	1	Filter-Oil	32:1	237-30	1	O-Ring
9	145-1053	1	Tank ASM	32:2	237-81	1	O-Ring
10	145-0934-03	1	Bracket-Tank, Hydraulic	33	145-1051	1	Hose-Suction
11	99-3017	1	Fitting	34	145-1052	1	Hose-Return
11:1	237-81	1	O-Ring	35	114-8438	1	Hose-HYD
12	2412-34	2	Clamp-Hose	36	2412-36	2	Clamp-Hose
13	139-0854	2	Cylinder-Hydraulic	37	139-6293	4	Washer
13:1	140-3110	1	Kit-Seal ●	38	AU862-10030	2	Screw-HSH
14	126-7888	4	Washer-Nylon	39	98-5828	4	Screw-HSH
15	328-23	2	Screw-HH	41	145-1136	1	Hose ASM
16	HDW02059	2	Nut-Hex	42	145-1135	1	Hose ASM
17	340-77	2	Fitting-Elbow, 90 DEG	43	3231-22	3	Screw-CARR
17:1	237-22	1	O-Ring	44	99-6810	2	Screw-HHF
17:2	237-42	1	O-Ring	45	323-42	2	Screw-HH
18	340-132	2	Fitting-Elbow, 90 DEG	46	107-4543	1	Clamp
18:1	237-78	1	O-Ring	47	3256-23	1	Washer-Plain
18:2	237-21	1	O-Ring	48	322-10	1	Screw-HH
19	340-115	1	Fitting-Tee	49	2412-129	2	Clamp-Hose
19:1	237-22	2	O-Ring	50	104-8300	1	Nut-HF, NI
20	340-151	1	Fitting-Tee	51	109-2365	2	Bumper-Rubber
20:1	237-21	2	O-Ring	52	104-7201	2	Nut-HF, NI
21	137-5844	1	Hose ASM	53	122-2712	1	Cable-Battery, Rd ASM
22	137-5845	1	Hose ASM	54	122-2713	1	Cable-Battery, Rd ASM
23	145-1105-03	1	Brkt-Storage Bin	55	122-2714	1	Cable-Battery, Rd ASM
24	353-988	1	Plug-Hex	56	147-6042	6	Screw-Tfh
24:1	237-79	1	O-Ring	57	1-303435	3	Washer-Spring
27	117-3681	1	Fitting-Elb 90	58	HDW21408	3	Nut-Hex

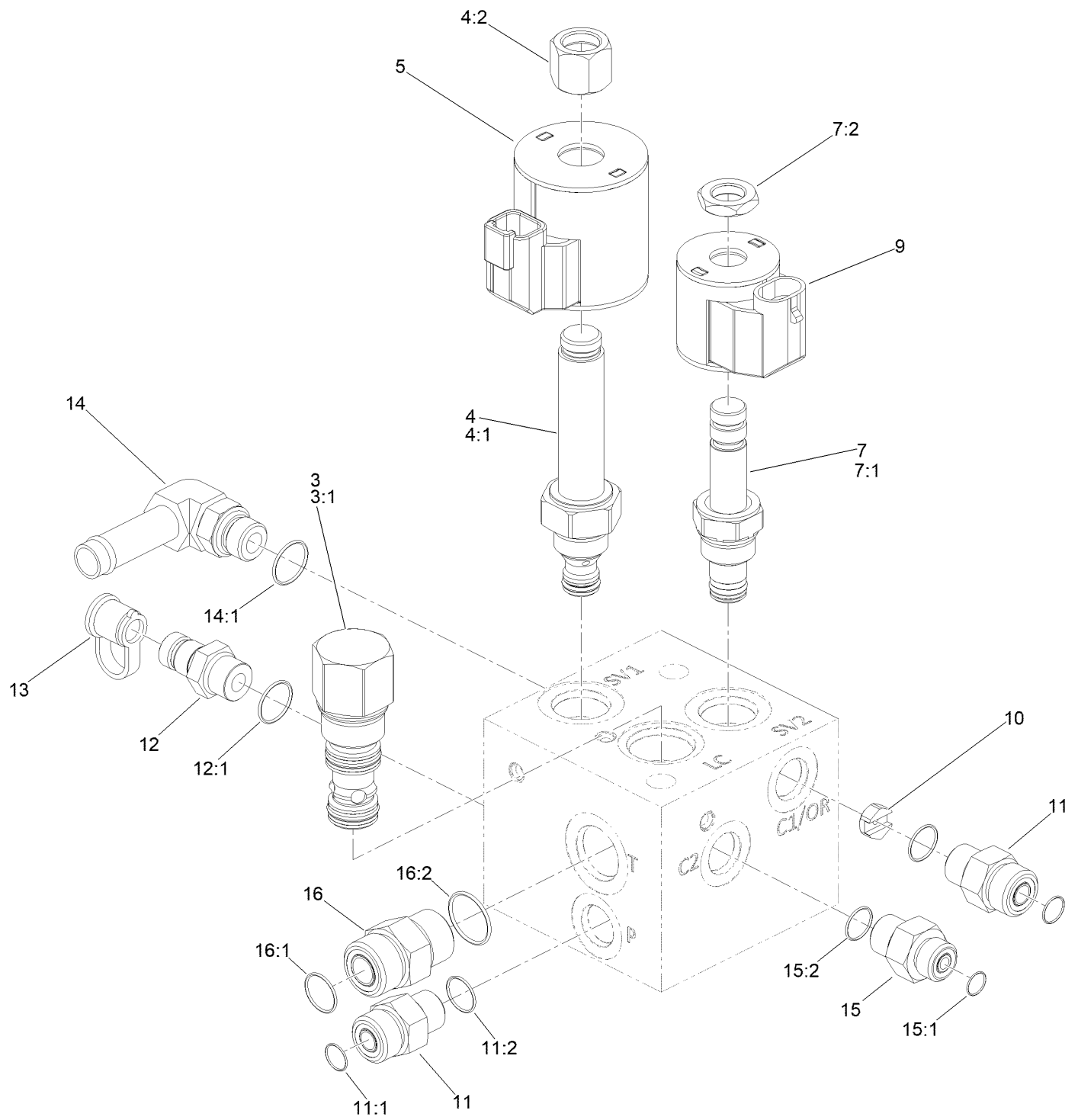
● Not illustrated

Gear Pump Assembly No. 147-5115 (continued)

<i>Ref.</i>	<i>Part Number</i>	<i>Qty.</i>	<i>Description</i>	<i>Ref.</i>	<i>Part Number</i>	<i>Qty.</i>	<i>Description</i>
1	139-6299	1	Kit-Seal	1:11		1	Seal-Square ●
1:9		1	Seal ●	1:12		1	Seal-Shaft ●
1:10		1	Seal-Standard ●	1:14		1	Anti Extrusion ●

● Not serviced separately

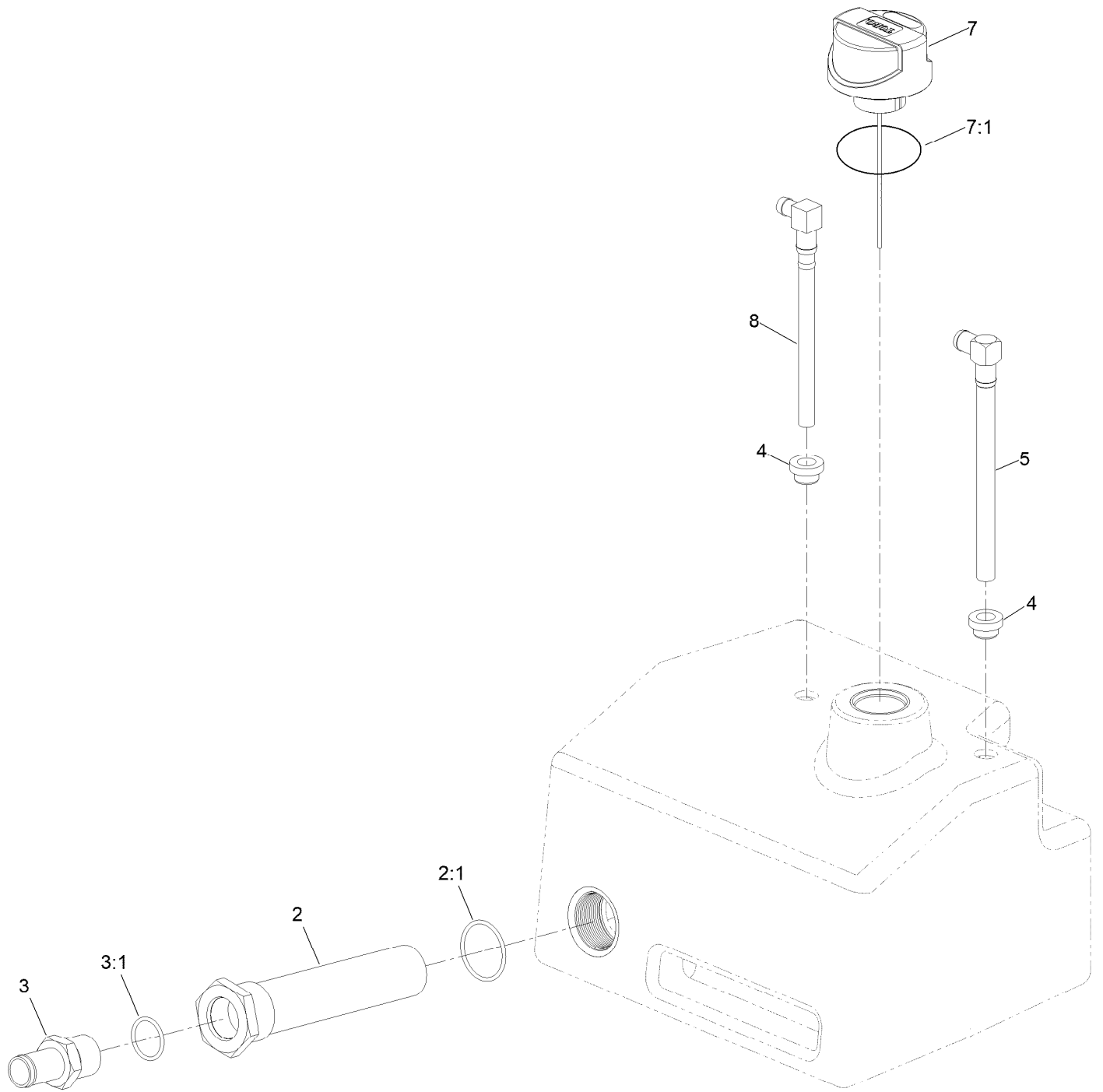
Steering/Lift Manifold Assembly No. 145-0939



Steering/Lift Manifold Assembly No. 145-0939 (continued)

<i>Ref.</i>	<i>Part Number</i>	<i>Qty.</i>	<i>Description</i>	<i>Ref.</i>	<i>Part Number</i>	<i>Qty.</i>	<i>Description</i>
3	105-9153	1	Element-Logic, Vented	11:2	237-42	1	O-Ring
3:1	119-2159	1	Seal Kit	12	59-7410	1	Fitting-Diagnostic
4	147-2117	1	Valve-Relief, Proportional	12:1	237-42	1	O-Ring
4:1	126-9388	1	Seal Kit	13	354-79	1	Cap-Dust
4:2	130-8180	1	Nut-Coil (9/16-24 Unef-2B)	14	109-6449	1	Fitting-Elbow, 90
5	119-4619	1	Coil-Solenoid	14:1	237-42	1	O-Ring
7	112-9206	1	Solenoid Valve ASM	15	340-1	1	Fitting-Straight
7:1	105-9156	1	Seal Kit	15:1	237-21	1	O-Ring
7:2	110-2634	1	Nut-Coil	15:2	237-42	1	O-Ring
9	110-0497	1	Coil-Solenoid	16	340-4	1	Fitting-Straight
10	139-6296	1	Orifice-Check 0.100 DIA	16:1	237-30	1	O-Ring
11	340-2	2	Fitting-Straight	16:2	237-79	1	O-Ring
11:1	237-22	1	O-Ring				

Hydraulic Tank Assembly N0. 145-1053

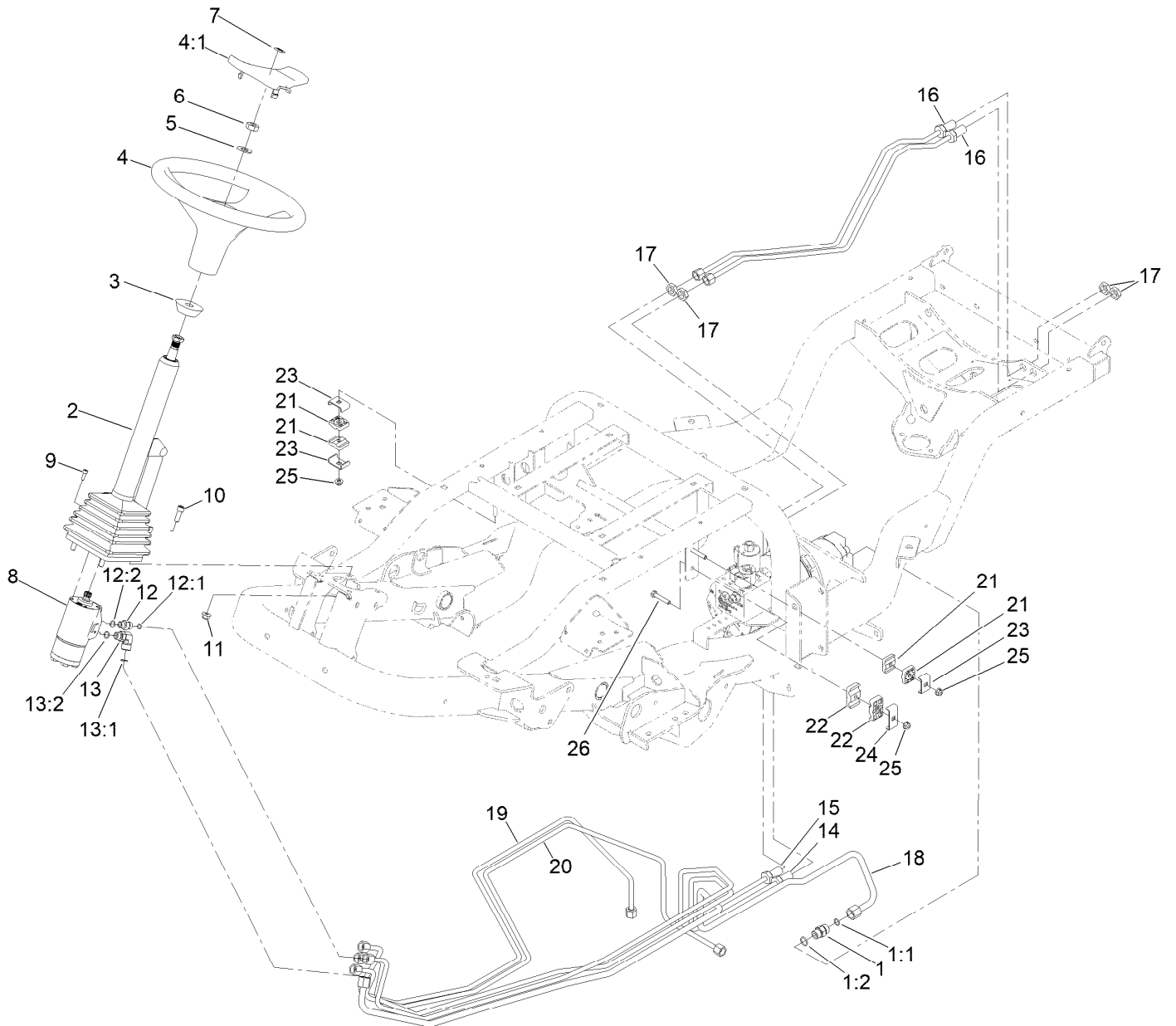


Hydraulic Tank Assembly NO. 145-1053 (continued)

<i>Ref.</i>	<i>Part Number</i>	<i>Qty.</i>	<i>Description</i>
2	115-2230	1	Strainer-In Tank
2:1	340-136	1	O-Ring
3	354-78	1	Fitting-STR
3:1	237-146	1	O-Ring
4	104-0790	2	Bushing

<i>Ref.</i>	<i>Part Number</i>	<i>Qty.</i>	<i>Description</i>
5	132-1384	1	Tube-Drop
7	147-5070	1	Cap-Filler, Breather
7:1	237-101	1	O-Ring
8	104-0791	1	Pipe-Stand

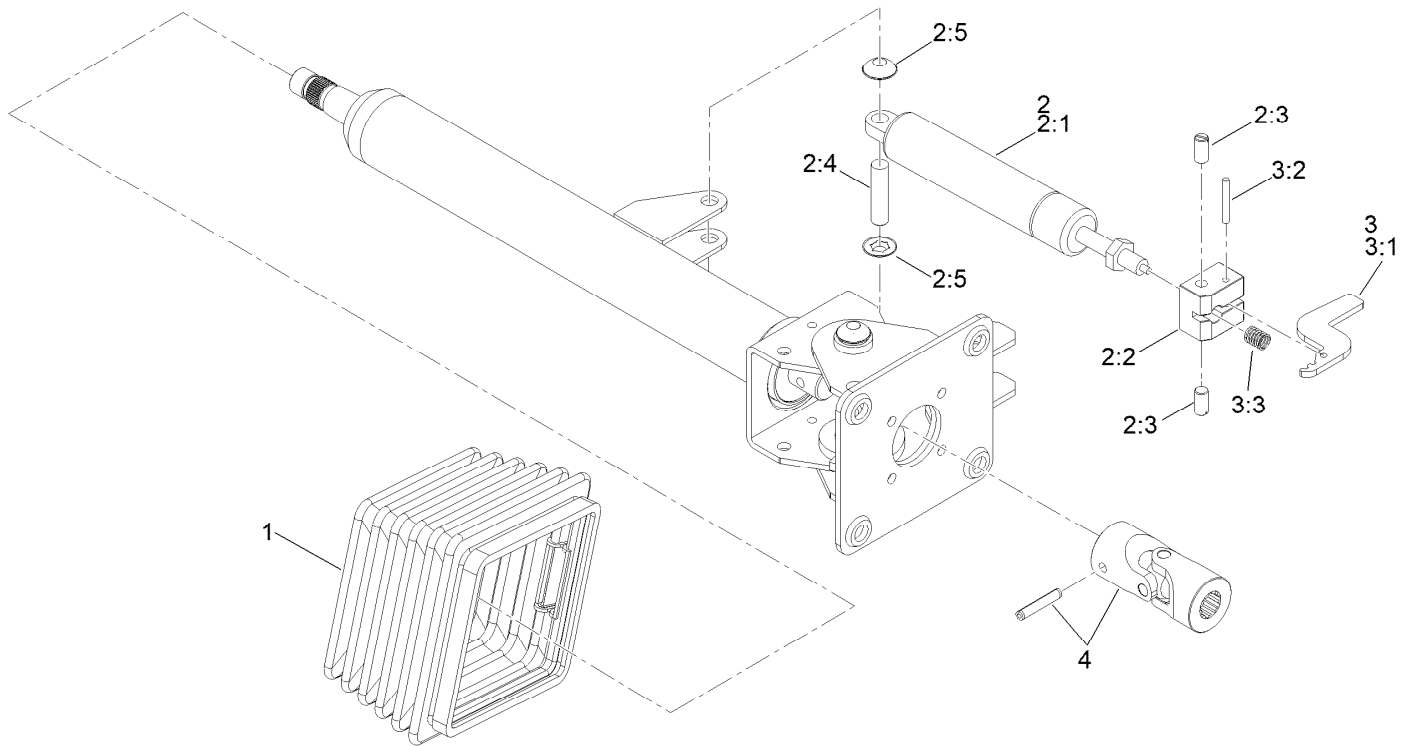
Steering Assembly



Steering Assembly (continued)

<i>Ref.</i>	<i>Part Number</i>	<i>Qty.</i>	<i>Description</i>	<i>Ref.</i>	<i>Part Number</i>	<i>Qty.</i>	<i>Description</i>
1	340-4	1	Fitting-Straight	13	340-99	1	Fitting-HYD, 90 DEG
1:1	237-30	1	O-Ring	13:1	237-30	1	O-Ring
1:2	237-79	1	O-Ring	13:2	237-42	1	O-Ring
2	139-0857	1	Column-Steering, Tilt	14	147-2050	1	Hydraulic Line ASM
3	93-5429	1	Collar-Foam	15	147-2052	1	Hydraulic Line ASM
4	98-1471	1	Wheel-Steering	16	147-2051	2	Hydraulic Line ASM
4:1	98-1468	1	Cover-Wheel, Steering	17	340-70	4	Nut-Lock
5	3256-27	1	Washer-Flat	18	147-2055	1	Hydraulic Line ASM
6	3296-33	1	Nut-Lock, NI	19	147-2057	1	Hydraulic Line ASM
7	98-1459	1	Decal	20	147-2058	1	Hydraulic Line ASM
8	114-8119	1	Steering Valve ASM	21	56-7973	4	Clamp-Tube
9	105-2409	4	Screw-HSH	22	56-7976	2	Clamp-Tube
10	3274-7	4	Screw-HSH	23	119-1418	3	Plate-Clamp, Short
11	104-8301	4	Nut-HF, NI	24	119-1419	1	Plate-Clamp
12	340-2	4	Fitting-Straight	25	104-8300	3	Nut-HF, NI
12:1	237-22	1	O-Ring	26	322-9	2	Screw-HH
12:2	237-42	1	O-Ring				

Steering Column Assembly No. 139-0857

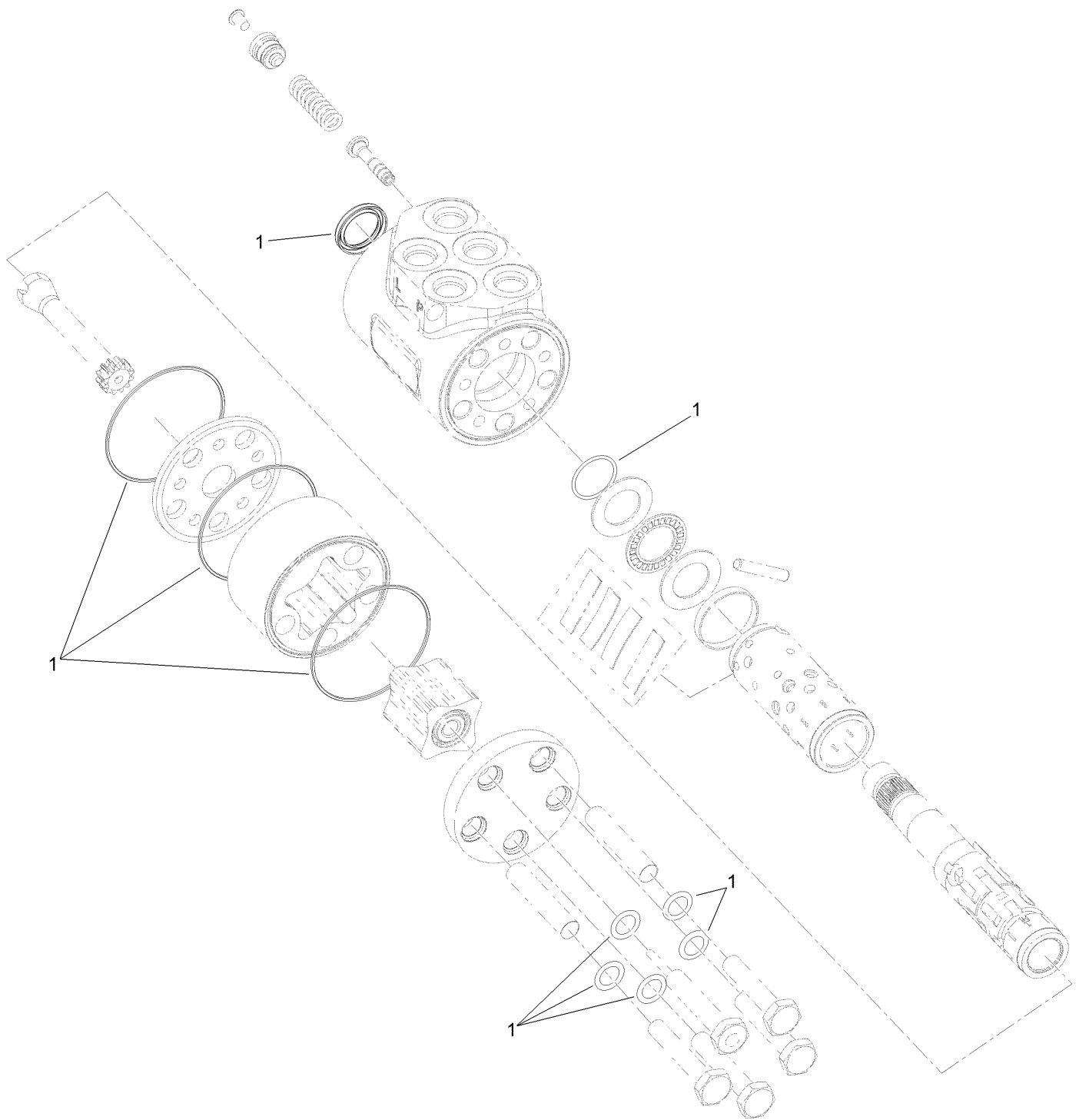


Steering Column Assembly No. 139-0857 (continued)

<i>Ref.</i>	<i>Part Number</i>	<i>Qty.</i>	<i>Description</i>	<i>Ref.</i>	<i>Part Number</i>	<i>Qty.</i>	<i>Description</i>
1	110-6462	1	Bellows-Rubber	2:5		2	Washer-Lock ●
2	110-6463	1	Cylinder Service Kit	3	136-4385	1	Pedal Service Kit
2:1		1	Cylinder-Gas ●	3:1		1	Pedal ●
2:2		1	Block-Pedal ●	3:2		1	Pin ●
2:3		2	Bolt ●	3:3		1	Spring ●
2:4		1	Pin ●	4	120-6256	1	Universal Joint Kit

● Not serviced separately

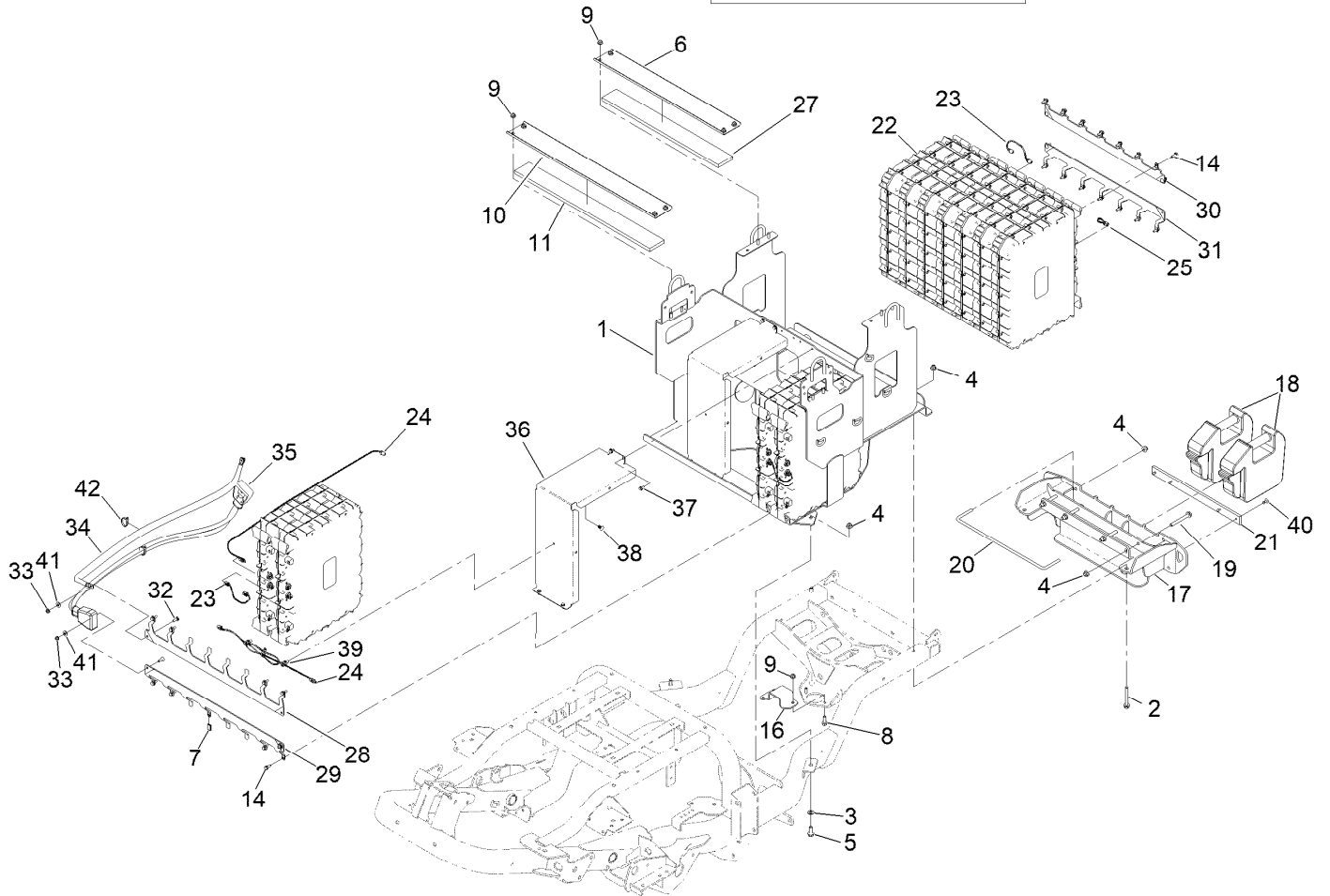
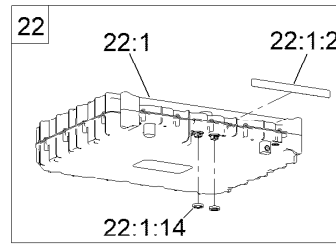
Steering Valve Assembly No. 114-8119



Steering Valve Assembly No. 114-8119 (continued)

<i>Ref.</i>	<i>Part Number</i>	<i>Qty.</i>	<i>Description</i>
1	106-6716	1	Seal Kit

Battery Assembly

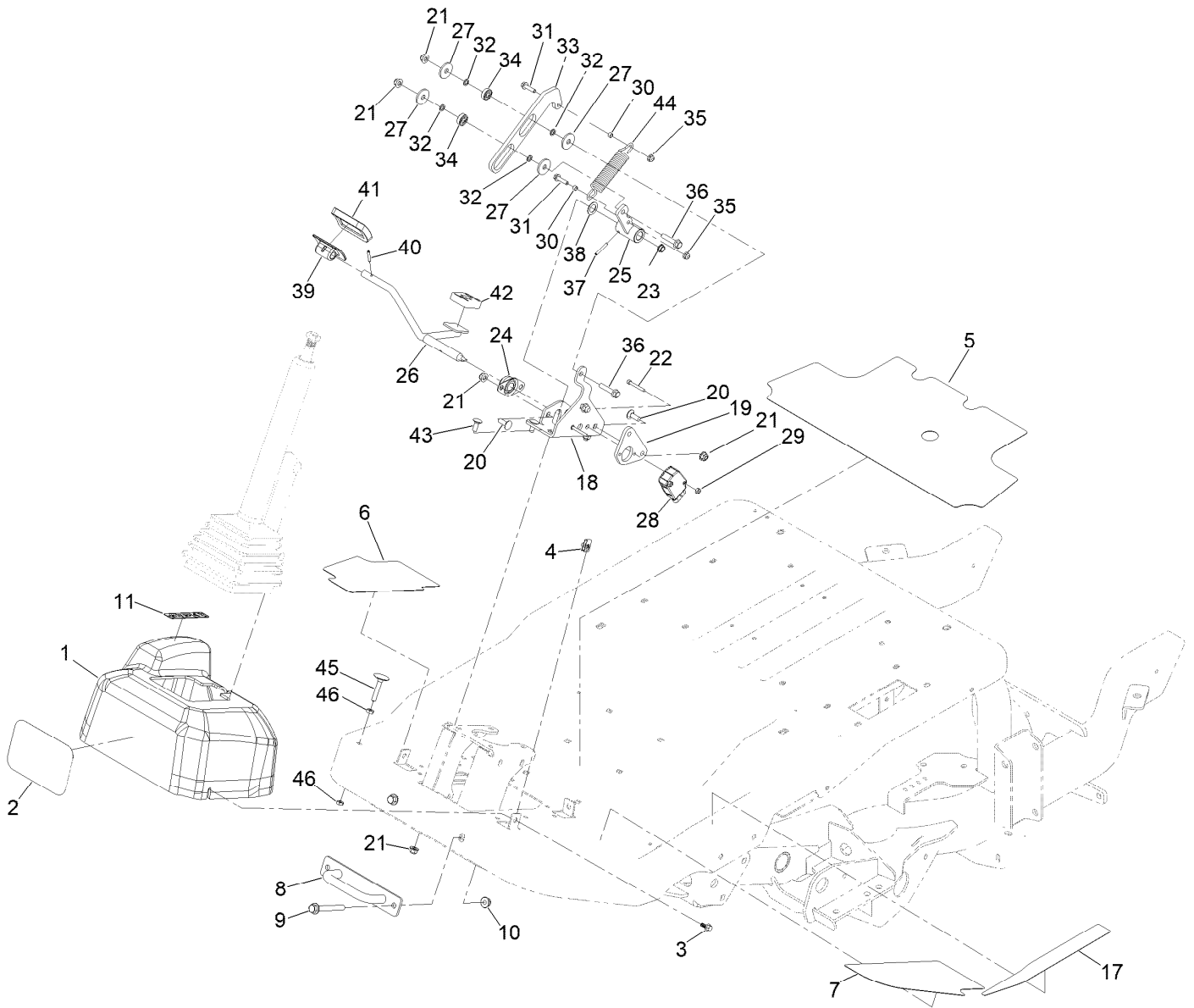


Battery Assembly (continued)

<i>Ref.</i>	<i>Part Number</i>	<i>Qty.</i>	<i>Description</i>	<i>Ref.</i>	<i>Part Number</i>	<i>Qty.</i>	<i>Description</i>
1	145-0931-03	1	Battery Tray, Welded	23	140-9565	8	Harness-Wire, Data Interface
2	139-2429	2	Screw-HHF	24	122-2412	2	Harness-Wire,Data Interface,34.5 In
3	3256-24	2	Washer-Plain	25	122-2323	1	Harness-Wire, Can Terminator
4	104-8301	10	Nut-HF, NI	27	147-5051	1	Pad-Foam, Short
5	3234-42	2	Screw-HHF	28	147-2131	1	Busbar-8, Bk
6	147-2149-03	1	Channel-Support, Short	29	147-2132	1	Busbar-8, Rd
7	147-5053	8	Cap-Vinyl	30	147-2133	1	Busbar-7, Bk
8	115-5142	2	Screw-HHF	31	147-2134	1	Busbar-7, Rd
9	104-8300	10	Nut-HF, NI	32	1-807512	6	Bolt-CARR
10	147-2148-03	1	Channel-Support, Long	33	104-7201	6	Nut-HF, NI
11	147-5050	1	Pad-Foam, Long	34	122-2905	1	Cable-Battery, Bk ASM
14	145-5783	22	Screw-Sems	35	122-2906	1	Cable-Battery, Rd ASM
16	145-0977-03	1	Bracket-Support	36	147-5052-0P	2	Case-Battery Spacer
17	145-5981-03	1	Bumper-Rear Wa	37	32144-4	8	Screw-HWH
18	114-4096	2	Weight	38	133-0875	2	Rivet-Push
19	3234-41	4	Screw-HHF	39	32180-030	2	Clip-Tie
20	125-2667	1	Lock-Weight	40	3269-11	4	Rivet-Pop
21	144-4014	1	Bumper-Rubber	41	3256-2	6	Washer-Flat
22	145-5320	11	Battery ASM	42	3290-378	2	Tie-Cable
22:1		1	Battery ASM ●				
22:1:2	145-5338	1	Decal-Warning, Battery				
22:1:14	32180-466	1	Nut-Mounting, Jwpf Panel Lock				

● Not serviced separately

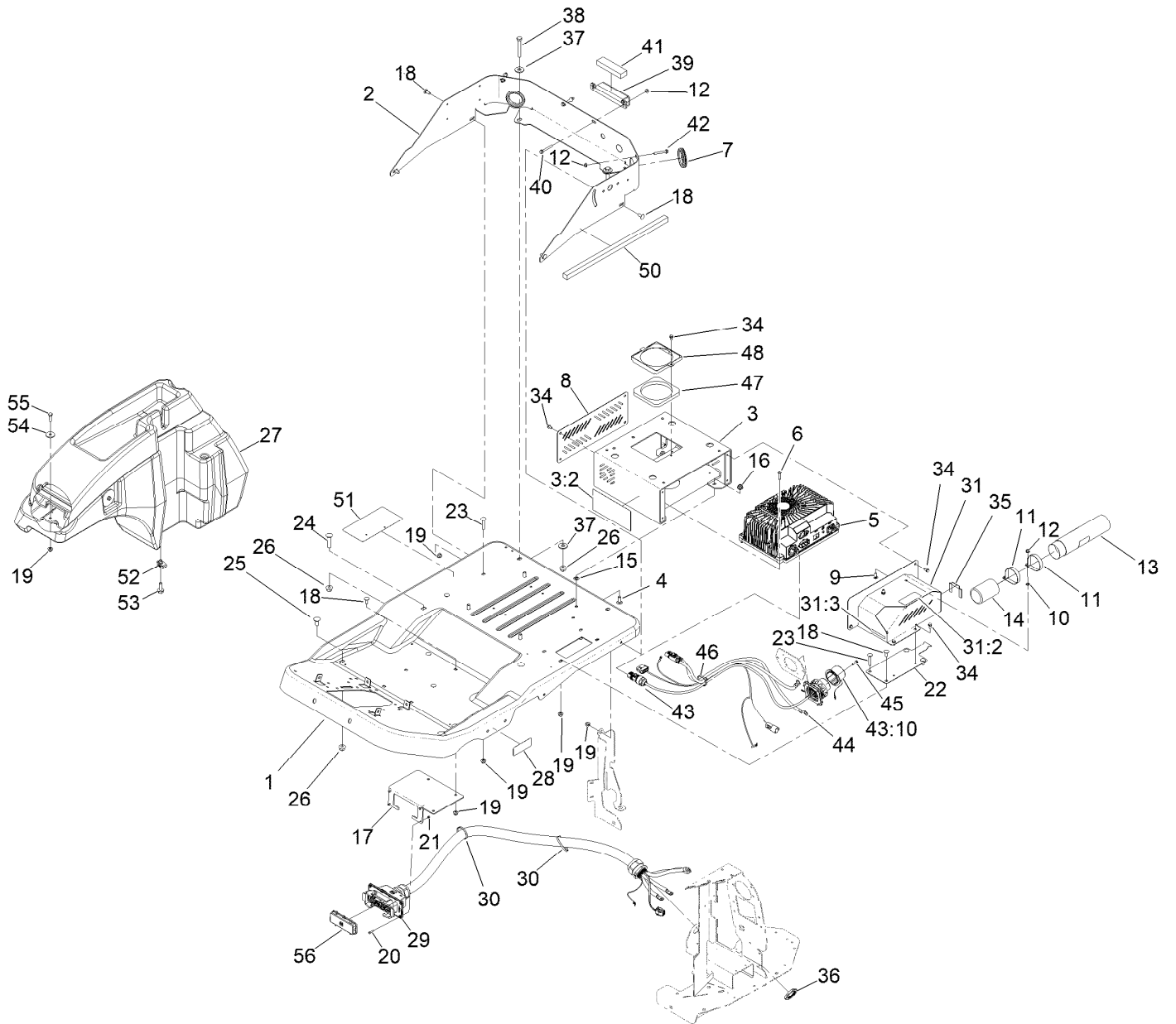
Pedal Assembly



Pedal Assembly (continued)

<i>Ref.</i>	<i>Part Number</i>	<i>Qty.</i>	<i>Description</i>	<i>Ref.</i>	<i>Part Number</i>	<i>Qty.</i>	<i>Description</i>
1	145-1079	1	Cover-Steering	27	107675	4	Washer
2	105-1217	1	Decal	28	122-0917	1	Sensor-Position
3	99-6810	4	Screw-HHF	29	3296-2	2	Nut-Lock, NI
4	107069	4	Clip	30	121-2015	2	Spacer
5	147-5071	1	Tread-Foot, Main	31	120-4654	2	Screw-HHF
6	139-0885	1	Tread-Foot, Front RH	32	75-5470	4	Spacer-Bearing
7	139-0886	1	Tread-Foot, Front LH	33	145-1063	1	Link-Connecting
8	138-0288	1	Bracket-Down, Tie	34	251-259	2	Bearing-Ball
9	3234-41	2	Screw-HHF	35	104-7201	2	Nut-HF, NI
10	104-8301	2	Nut-HF, NI	36	115-1794	2	Screw-HHF
11	140-1460	1	Decal-Traction Pedal	37	32121-6	1	Pin-Roll, Slotted
17	139-0859	1	Tread-Foot, Side	38	137-2601	1	Washer
18	145-0958-01	1	Bracket-Traction Pedal	39	117-9507	1	Pedal-Accelerator
19	145-0959-03	1	Shim	40	32121-45	1	Pin-Spring
20	3230-10	4	Bolt-CARR	41	74-9100	1	Pad-Pedal, Forward
21	104-8300	10	Nut-HF, NI	42	74-9110	1	Pad-Pedal, Reverse
22	3274-59	2	Screw-HSH	43	3230-23	4	Bolt-CARR
23	139-1525	1	Bushing-Flanged Nylon	44	137-7944	1	Spring-Extension
24	256-236	1	Bearing-Mount, Flange	45	115-8240	1	Screw-Elevator
25	145-0957-03	1	Hub-Traction Pedal [black]	46	3218-2	2	Nut-Hex Jam
26	145-0953	1	Traction Pedal				

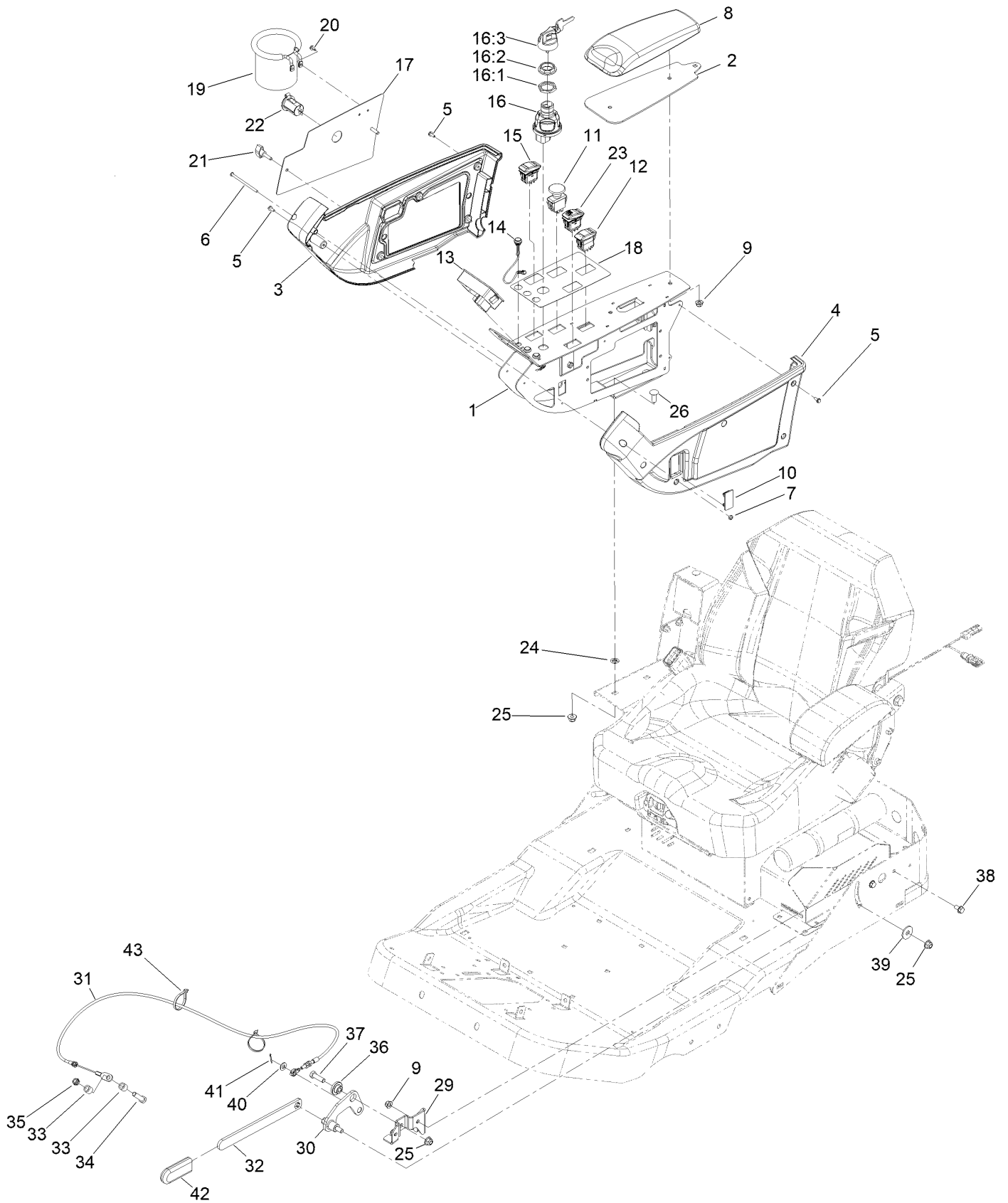
Platform Assembly



Platform Assembly (continued)

<i>Ref.</i>	<i>Part Number</i>	<i>Qty.</i>	<i>Description</i>	<i>Ref.</i>	<i>Part Number</i>	<i>Qty.</i>	<i>Description</i>
1	144-4030-01	1	Platform-Stamped	30	3290-379	2	Tie-Cable
2	161-7626-03	1	Shield-Platform, Rear	31	161-7642	1	Cover ASM
3	147-5144	1	Seat Base ASM	31:2	161-2468	1	Decal-Release, Brake
3:2	139-6215	1	Decal-Warning	31:3	133-8061	1	Decal-Warning
4	3231-22	4	Screw-CARR	34	32144-4	9	Screw-HWH
5	147-5148	1	Charger-Onboard, 3.3Kw	35	147-5147	3	Trim
6	132-6777	4	Screw-Twh Thd Roll	36	32180-563	1	Nut - Locknut, M40X1.5
7	240-12	2	Grommet-Rubber	37	3256-40	4	Washer-Flat
8	147-5139-01	1	Plate-Cover, RH	38	324-12	2	Screw-HH
9	1-807512	2	Bolt-CARR	39	139-2166-0P	1	Bracket-Hood Support
10	104-8310	2	Ring-Retaining	40	3234-34	2	Screw-HHF
11	107-1865	2	R-Clamp	41	139-6202	1	Foam-Strip
12	104-7201	6	Nut-HF, NI	42	125-4287	2	Screw-HHF
13	104-7050	1	Tube-Manual	43	122-3367	1	Harness-Wire, AC Charger
14	104-7048	1	Cap-Housing	43:10	32180-579	1	Cover-Scame, Tethered, White
15	107-3154	4	Nut-Push	44	122-3390	1	Harness-Wire, DC Charger
16	104-8301	4	Nut-HF, NI	45	100-4351	4	Screw-HWH
17	147-2073-0P	1	Brkt-Connector	46	3290-378	1	Tie-Cable
18	3230-23	9	Bolt-CARR	47	161-2462	1	Foam-Baffle
19	104-8300	14	Nut-HF, NI	48	161-2460-0P	1	Baffle ASM, Welded
20	119-7444	4	Screw-HSBH	50	139-6207	1	Foam-Strip
21	140-3749	4	Nut-Lock Rohs	51	161-2469	1	Decal-Service, Gm E3200
22	147-2096-01	1	Plate-Cover	52	140-1146	1	Nut-Clip, U
23	116-0629	4	Screw-CARR	53	33105-030	1	Screw-HHF
24	3232-5	2	Screw-CARR	54	105-3048	1	Washer-Flat
25	3232-1	2	Screw-CARR	55	322-5	1	Screw-HH
26	114-8417	6	Nut-HF, NI	56	32180-608	1	Cover-Harting, Han 24B, Plastic
27	147-2093	1	Storage Bin ASM				
28	106-9206	2	Decal-Torque, Wheel				
29	122-2784	1	Harness-Wire, Machine				

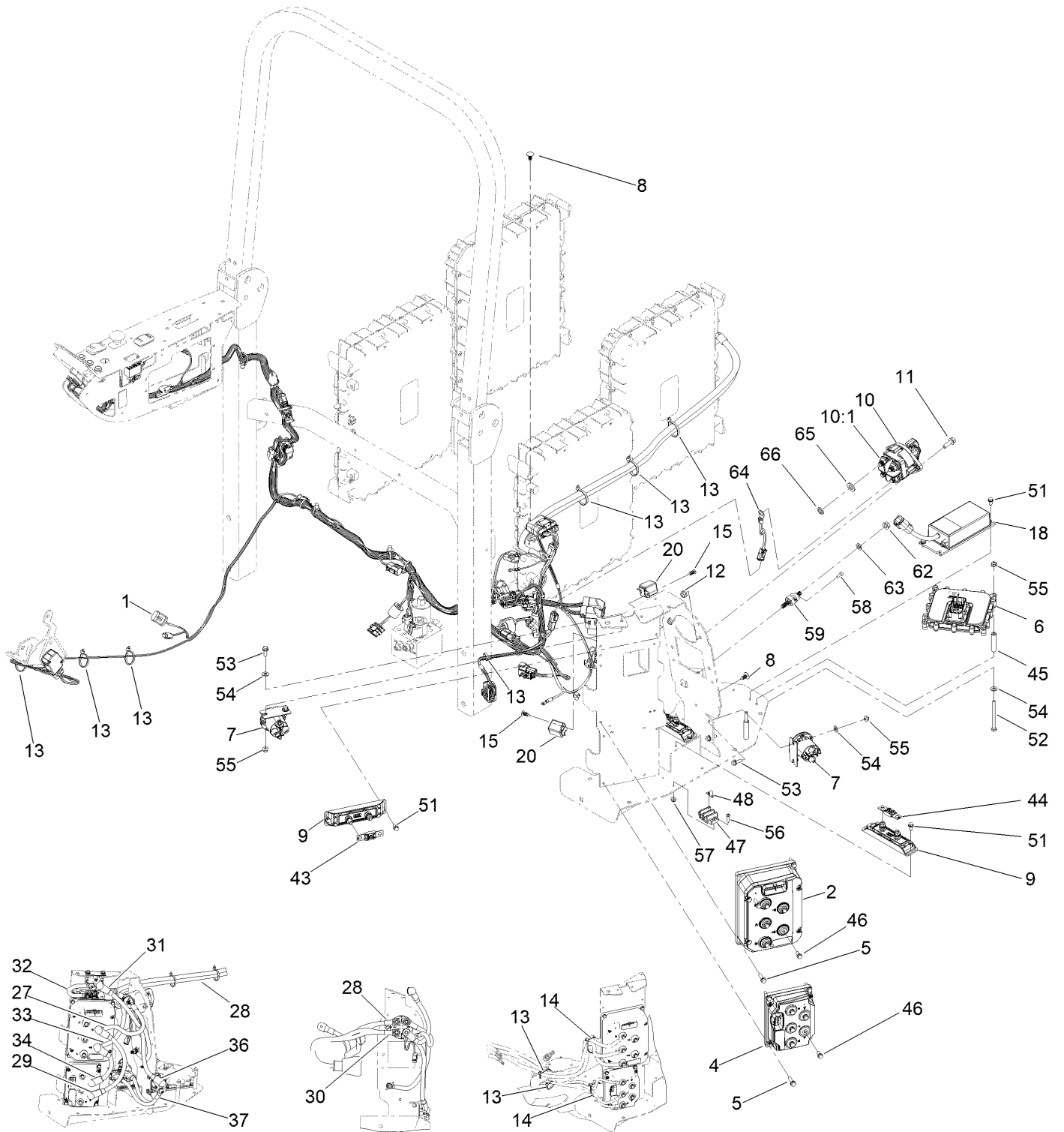
Control Console Assembly



Control Console Assembly (continued)

<i>Ref.</i>	<i>Part Number</i>	<i>Qty.</i>	<i>Description</i>	<i>Ref.</i>	<i>Part Number</i>	<i>Qty.</i>	<i>Description</i>
1	145-1040-03	1	Panel ASM, Welded	20	104-2065	2	Screw-HWH
2	138-4548-03	1	Plate-Spacer, Console Pad	21	126-5846	2	Knob-T
3	108-7605	1	Cover-RH	22	140-7955	1	Port-Power, USB
4	108-7604	1	Cover-LH	23	122-3518	1	Switch-Rocker, On-None-On
5	32144-112	10	Screw-HWH	24	107-3154	2	Nut-Push
6	3250-22	1	Screw-PPH	25	104-8301	4	Nut-HF, NI
7	3296-12	1	Nut-Lock, NI	26	3231-22	2	Screw-CARR
8	131-9637	1	Armrest-Quick Find	29	161-7620-03	1	Bracket-Cable, Release
9	104-8300	4	Nut-HF, NI	30	161-7621-03	1	Lever ASM, Release
10	99-7420	1	Plug-Hole	31	161-2467	1	Cable-Release, Brake
11	93-9999	1	Switch-PTO	32	161-7627-0P	1	Lever-Extension, Release
12	122-0304	1	Switch-Rocker, (On)-Off-(On)	33	93-9847	2	Spacer
13	122-1201	1	Module-Display	34	323-8	1	Screw-HH
14	136-9678	3	Switch-Pushbutton	35	121-4600	1	Nut-Hex
15	122-2854	1	Switch-Rocker, On-On-(On)	36	126-5989	1	Pivot-Flange
16	122-2513	1	Switch-Ignition, Suns	37	323-7	1	Screw-HH
16:1	121-5160	1	Nut-Hex	38	3234-7	2	Screw-HHF
16:2	122-2704	1	Nut-Face, M22 (Plastic)	39	93-8806	1	Washer-Hardened
16:3	121-5162	1	Set-Key, Ignition	40	107-0279	1	Washer
17	147-2144-03	1	Cover ASM, Welded	41	3272-4	1	Pin-Cotter
18	147-2074	1	Decal-Console	42	119-1846	1	Grip
19	117-2378	1	Holder-Bag	43	3290-378	2	Tie-Cable

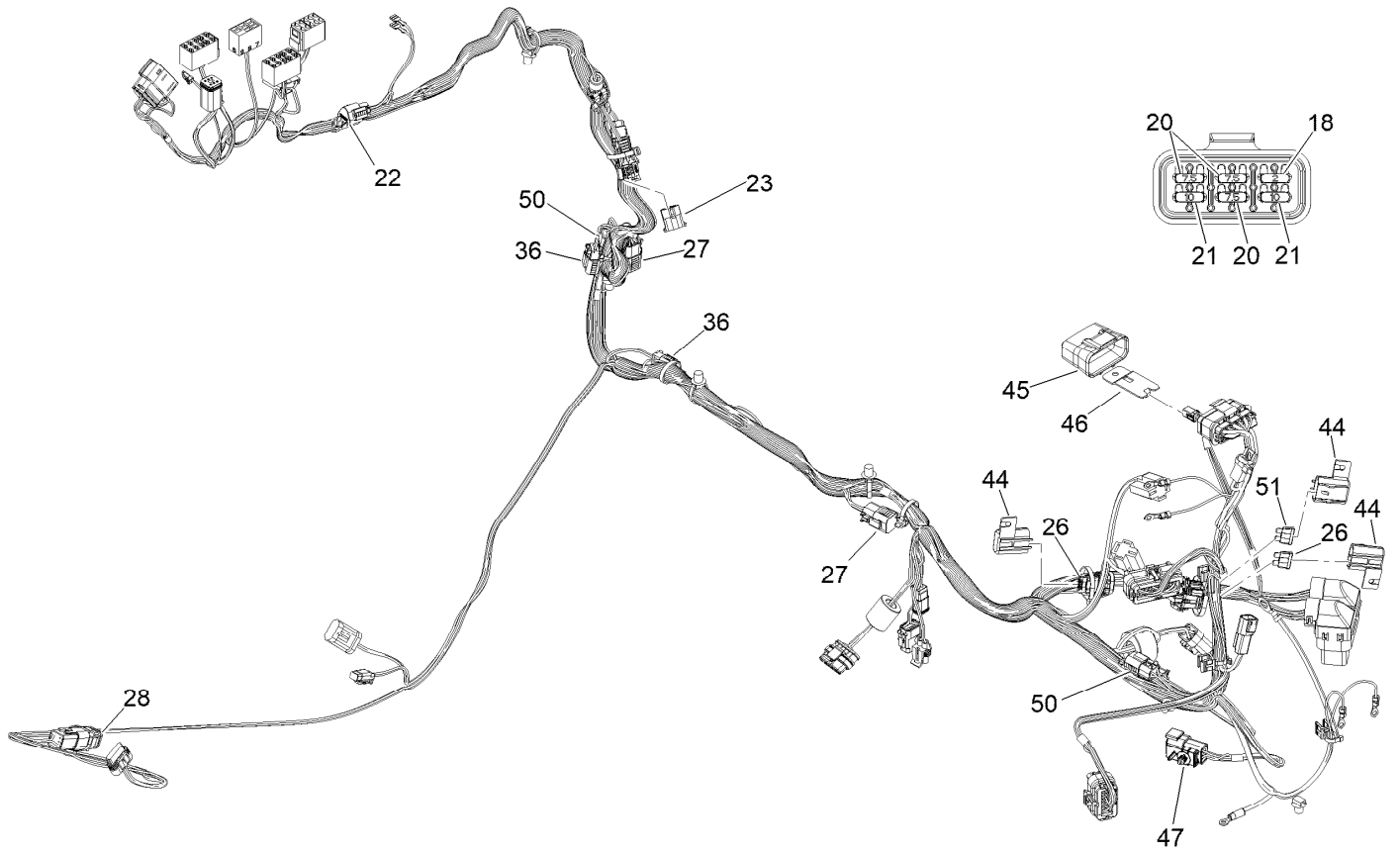
Electrical Assembly



Electrical Assembly (continued)

<i>Ref.</i>	<i>Part Number</i>	<i>Qty.</i>	<i>Description</i>	<i>Ref.</i>	<i>Part Number</i>	<i>Qty.</i>	<i>Description</i>
1	122-2328	1	Harness-Wire, Main	36	122-2697	1	Cable-Battery, Rd ASM
2	147-5068	1	Inv/Ctrlr-48V	37	122-2699	1	Cable-Battery, Rd ASM
4	145-7270	1	Inv/Ctrlr-48V	43	122-2561	1	Fuse-200A
5	32144-86	8	Screw-HWHTF	44	122-2559	2	Fuse-100 Amp
6	122-2498	1	Controller	45	145-1145	4	Spacer
7	145-3542	2	Contacto-DC, 12V	46	145-5782	10	Screw-Sems
8	117-2382	2	Plug-Plastic	47	42862	1	Block-Terminal, Ground
9	145-4958	3	Holder-Fuse	48	42863	1	Strip-Jumper
10	122-0603	1	Switch-Disconnect	51	32144-4	9	Screw-HWH
10:1	33006-00	1	Nut-HF	52	321-20	4	Screw-HH
11	3234-29	2	Screw-HHF	53	120-9678	4	Screw-HHF
12	104-8300	2	Nut-HF, NI	54	3256-22	8	Washer-Flat
13	3290-378	9	Tie-Cable	55	119-4040	8	Nut-HF, NI
14	3290-379	2	Tie-Cable	56	104-2408	2	Screw-HSBH
15	120-6737	2	Plug-Plastic	57	138-0719	2	Nut-HF
18	144-6975	1	Converter DC-DC	58	105-6849	2	Screw-Forming, Thread
20	122-2400	2	Relay, 12V Coil, 50A At 48V	59	122-2411	1	Block-Junction, Black
27	122-2903	1	Cable-Battery, Bk ASM	62	3290-357	2	Nut-HSF
28	122-2904	1	Cable-Battery, Bk ASM	63	3253-21	2	Washer-Lock
29	122-2690	1	Cable-Battery, Bk ASM	64	122-3326	1	Harness-Wire, Battery Disconnect
30	122-2956	1	Cable-Battery, Rd ASM	65	147-3238	4	Washer-Flat
31	122-2692	1	Cable-Battery, Rd ASM	66	HDW14457	4	Split Lock Washer,1/2,ST/ST,18-8
32	122-2693	1	Cable-Battery, Rd ASM				
33	122-2694	1	Cable-Battery, Rd ASM				
34	122-2695	1	Cable-Battery, Rd ASM				

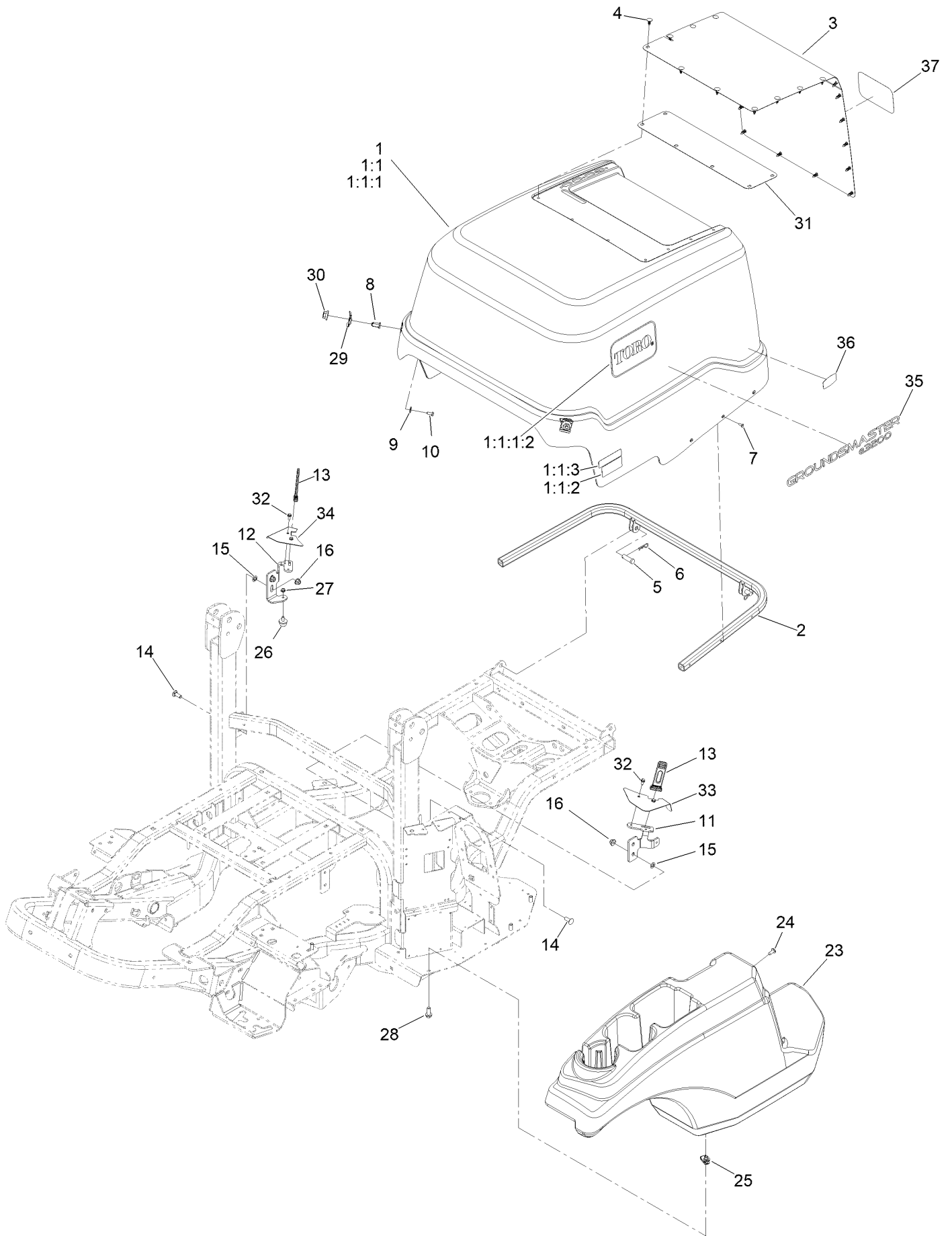
Main Wire Harness Assembly No. 122-2328



Main Wire Harness Assembly No. 122-2328 (continued)

<i>Ref.</i>	<i>Part Number</i>	<i>Qty.</i>	<i>Description</i>	<i>Ref.</i>	<i>Part Number</i>	<i>Qty.</i>	<i>Description</i>
18	121-8861	1	Fuse-Mini Blade, 2 Amp	36	32180-091	2	Cap-Dust, 2 Way
20	121-8865	3	Fuse-Mini Blade, 7.5 Amp	44	32180-567	3	Cover-Aptiv, Modified
21	121-8866	2	Fuse-Mini Blade, 10 Amp	45	32180-176	1	Cover-Block, Fuse
22	32180-089	1	Cap-Plug, 3 Way	46	32180-177	1	Clip-Mounting
23	32180-056	1	Cap	47	32180-103	1	Clip-Connector
26	117-4724	2	Fuse-Blade, 10A	50	32180-260	1	Cap-Deutsch, Dust, 4 Way
27	32180-156	2	Cap-Plug, 6 Way	51	117-4723	1	Fuse-Blade, 7.5A
28	122-1131	1	Capacitor-Sealed				

Hood Assembly

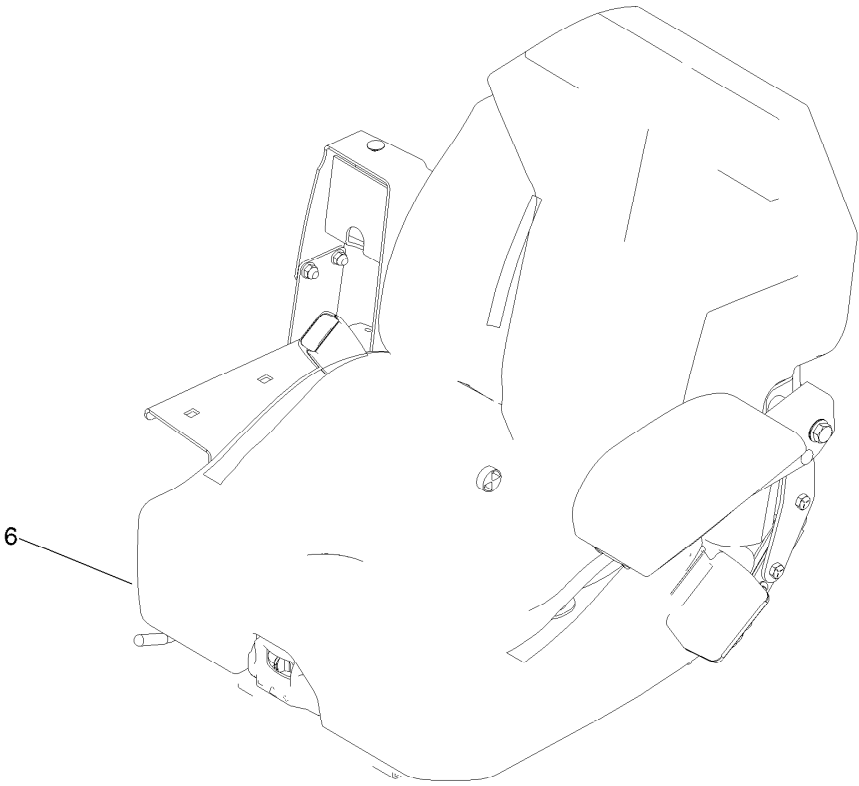
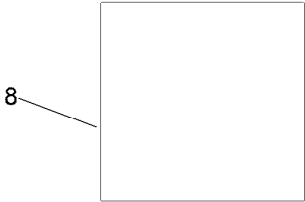
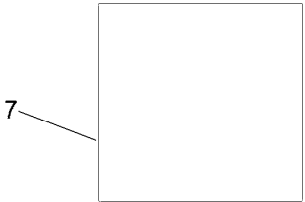
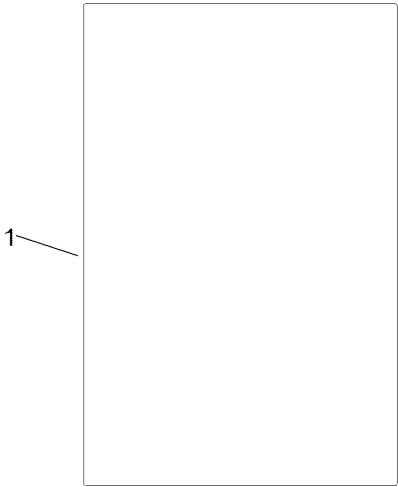


Hood Assembly (continued)

<i>Ref.</i>	<i>Part Number</i>	<i>Qty.</i>	<i>Description</i>	<i>Ref.</i>	<i>Part Number</i>	<i>Qty.</i>	<i>Description</i>
1	147-5081SP	1	Hood ASM W/Decals	14	3231-22	4	Screw-CARR
1:1		1	Hood ASM W/Decals ●	15	107-3154	4	Nut-Push
1:1:1		1	Hood ASM ●	16	104-8301	4	Nut-HF, NI
1:1:1:2	62-7400	2	Decal-Toro Logo	23	147-2060	1	Cover, LH
1:1:2	161-2443	1	Decal-Charging	24	138-9753	4	Screw
1:1:3	144-7008	1	Decal-Service, Shut-Off	25	140-1146	4	Nut-Clip, U
2	138-7331-03	1	Support-Hood	26	109-2365	1	Bumper-Rubber
3	161-0814-03	1	Cover-Hood	27	104-7201	1	Nut-HF, NI
4	117-2382	24	Plug-Plastic	28	33105-030	4	Screw-HHF
5	283-68	2	Pin-Clevis	29	147-5114	2	Shield-Strap, Hood
6	3290-467	2	Pin-Hair	30	32128-56	2	Nut-HF
7	114439	10	Rivet-Blind	31	161-0811-03	1	Plate-Cover
8	147-5113	2	Hub-Strap, Hood	32	32144-4	4	Screw-HWH
9	3256-78	2	Washer-Flat	33	161-2433-03	1	Shield-Hood, LH
10	137-3014	2	Screw-HH Lock	34	161-2434-03	1	Shield-Hood, RH
11	147-5111-03	1	Bracket-Hood, LH	35	147-2105	2	Decal-Hood, E3200
12	147-5112-03	1	Bracket-Hood, RH	36	119-7580	2	Decal-Smart, Energy
13	131-8402	2	Strap-Down, Hold	37	99-4693	1	Decal

● Not serviced separately

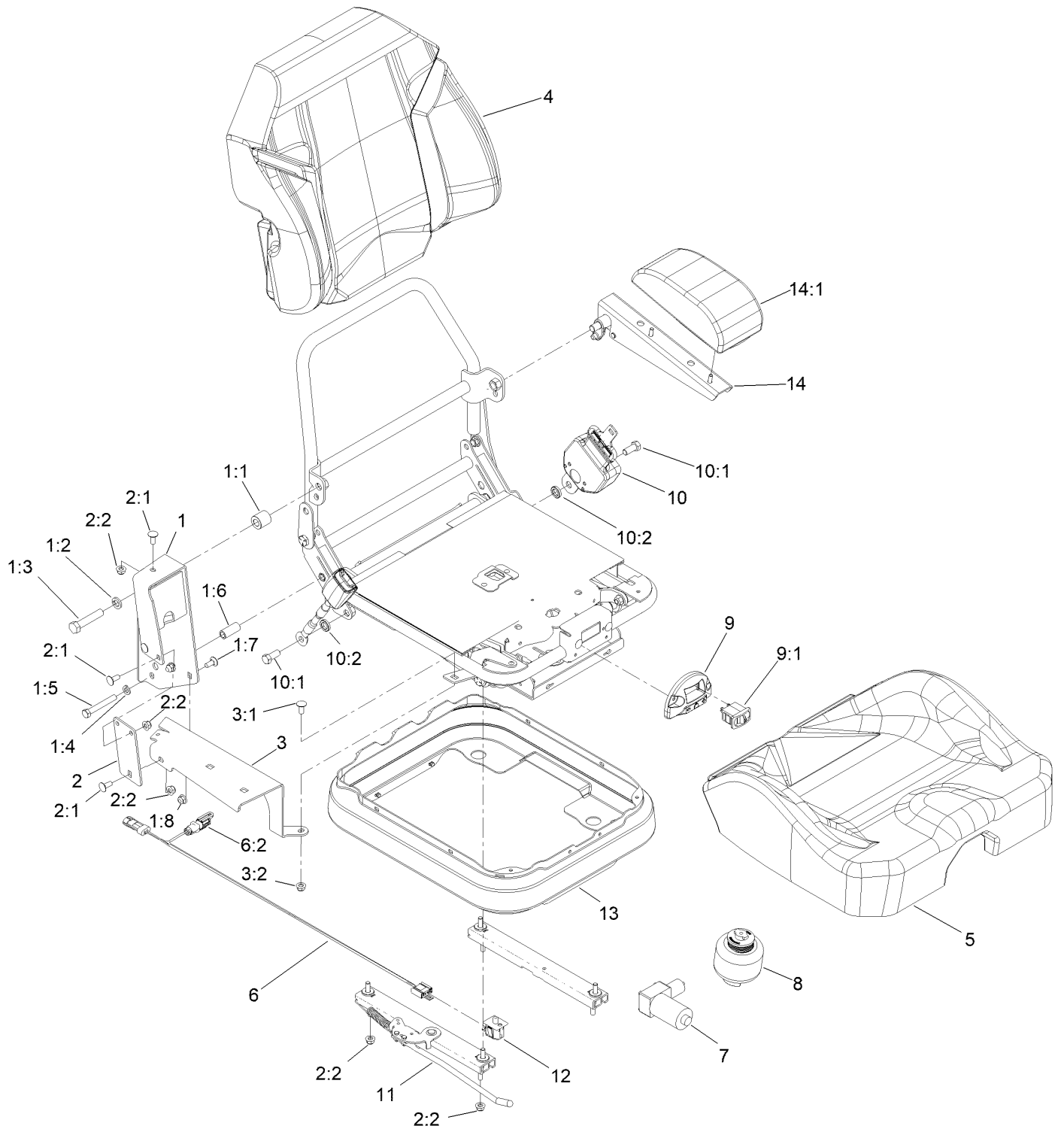
Miscellaneous Parts Assembly



Miscellaneous Parts Assembly (continued)

<i>Ref.</i>	<i>Part Number</i>	<i>Qty.</i>	<i>Description</i>	<i>Ref.</i>	<i>Part Number</i>	<i>Qty.</i>	<i>Description</i>
1	144-3952	1	Decal-Slope	7	161-7660	1	Decal-Sound, 97 Db
6	161-0807	1	Seat ASM-Air Ride	8	161-7661	1	Decal-Sound, 102 Db

Air Ride Suspension Seat Assembly No. 161-0807



Air Ride Suspension Seat Assembly No. 161-0807 (continued)

<i>Ref.</i>	<i>Part Number</i>	<i>Qty.</i>	<i>Description</i>	<i>Ref.</i>	<i>Part Number</i>	<i>Qty.</i>	<i>Description</i>
1	140-7112	1	Upper Console Mount Kit	5	125-3111	1	Cover-Cushion
1:1	140-7113	1	Spacer	6	122-2735	1	Harness-Wire, Seat
1:2	3253-7	1	Washer-Lock	6:2	32180-091	1	Cap-Dust, 2 Way
1:3	325-10	1	Screw-HH	7	140-7120	1	Air Compressor Kit
1:4	3253-21	1	Washer-Lock	8	140-7121	1	Air Bag Kit
1:5	323-13	1	Screw-HH	9	140-7122	1	Air Valve Kit
1:6	140-7114	1	Spacer	9:1	126-2747	1	Valve-Air Adjust
1:7	3230-23	2	Bolt-CARR	10	140-7116	1	Seat Belt Kit
1:8	104-8300	2	Nut-HF, NI	10:1	3212-4	2	Screw-HH
2	140-7103	1	Bracket Kit	10:2	140-7108	2	Spacer
2:1	3230-23	4	Bolt-CARR	11	144-0458	1	Track Kit
2:2	104-8300	8	Nut-HF, NI	12	145-3520	1	Switch-Plunger, On-(On)
3	140-7115	1	Lower Console Mount Kit	13	126-8559	1	Bellows-Seat
3:1	3230-23	1	Bolt-CARR	14	140-7110	1	Armrest-Deluxe, With Pad
3:2	104-8300	1	Nut-HF, NI	14:1	140-7111	1	Pad-Armrest
4	125-3112	1	Cover-Back	99	140-7119	1	Harness-Air Ride ●

● Not illustrated

Attachments and Accessories

For 31800 Groundsmaster e3200 2-Wheel Drive Traction Unit

Product Name	Model/Part
Premium Transmission/Hydraulic Tractor Fluid (5 Gallon Pail)	108-1184
Paint-Black Bottle	112-0176
Paint-Red Pen	112-0177
Paint-Red Bottle	112-0178
42-Pound Weight	114-4096
Seat Cover (W/arm rest)	117-0095
Premium Synthetic Bio-Degradable Hydraulic Fluid (5 Gallon Pail)	119-2157
Premium Synthetic Bio-Degradable Hydraulic Fluid (55 Gallon Drum)	119-2158
Cable-Assembly, Charger	122-3489
Cable-Assembly, Charger	122-3490
Cable-Assembly, Charger	122-3491
PX Hydraulic Fluid (5 Gal)	133-8086
PX Hydraulic Fluid (55 Gal)	133-8087
Wrench-Caster Cap/Latch	138-6367
SMV Kit	139-2339
Work Lights Kit, Groundsmaster and Reelmaster Traction Units with Universal Sunshade	140-1554
Universal Wireless Hourmeter Kit	144-2436
Blade-20.50 Low Flow	145-1114
Blade-20.50 Med Flow	145-1115
Blade-20.50 Recycler	145-1116
Battery ASM	145-5320
Blade-20.50 Atomic	147-2082
Energy Expansion Kit, Groundsmaster e3200 Traction Unit	161-0859
White Universal Sunshade	30669
Red Universal Sunshade	30671
60in Sd Deck, GM E3200	31890
60in Rd Deck, GM E3200	31891
Seat Asm - Standard	32301
Seat Asm - Mech Susp	32302
Carriage Bolt	32303
Recycler Kit (60in/152cm Rd), E3200	32306
Led Work-light Kit, E3200 (rops)	32307
Road Light Kit, E3200 (eu)	32308
North American Road Light Kit, Groundsmaster e3200 Series Traction Unit	32309
Back-up Alarm, E3200	32310
Beacon Kit	32313
Switch Panel, Groundsmaster e3200 2-Wheel Drive Traction Unit with Universal Sunshade	32314
Energy Expansion Mounting Kit, Groundsmaster e3200 Traction Unit	32317
Crankshaft Assy	32319
Toro Red 12oz Aerosol Can	361-10
Semi-Gloss Black Spray Paint	361-9
Filter-Oil, Transmission	86-3010

Notes:

Notes:

Notes:



Count on it.