



Workman[®] 2110

Utility Vehicle

Model No. 07277—230000001 and Up

Model No. 07277TC—230000001 and Up

Parts Catalog

Ordering Replacement Parts

To order replacement parts, please supply: the part number, the quantity, and the description of each part desired.

Understanding Reference Numbers

Each identified part in an illustration has a reference number. The reference number for a part also appears in the parts list, along with other information about the part.

This catalog uses two special reference number formats, one to indicate parts in a service assembly and another to indicate the quantity of a given part in an illustration.

Service Assembly Reference Numbers

Parts in service assemblies have reference numbers in the form **a:b**. The **a** represents the reference number of the entire service assembly and the **b** represents a sequential number unique to each part within the service assembly.

For example, a wheel assembly might be identified by reference number **6**, the tire by **6:1**, the valve by **6:2**, and the wheel by **6:3**. When you order the assembly identified by reference number **6**, you receive all parts identified by reference numbers **6:1**, **6:2**, and **6:3**. However, you may also order any part individually.

Reference numbers of this type appear in illustrations and in part lists.

Reference Numbers Indicating Quantity

In an illustration, if a reference number indicates more than one part, the reference number has the form **nX y**. The **n** represents the quantity of the part, the **X** is the multiplication symbol, and the **y** represents the reference number.

For example, in an illustration, the reference number **2X 37** means that two of the parts identified by reference number **37** are indicated.

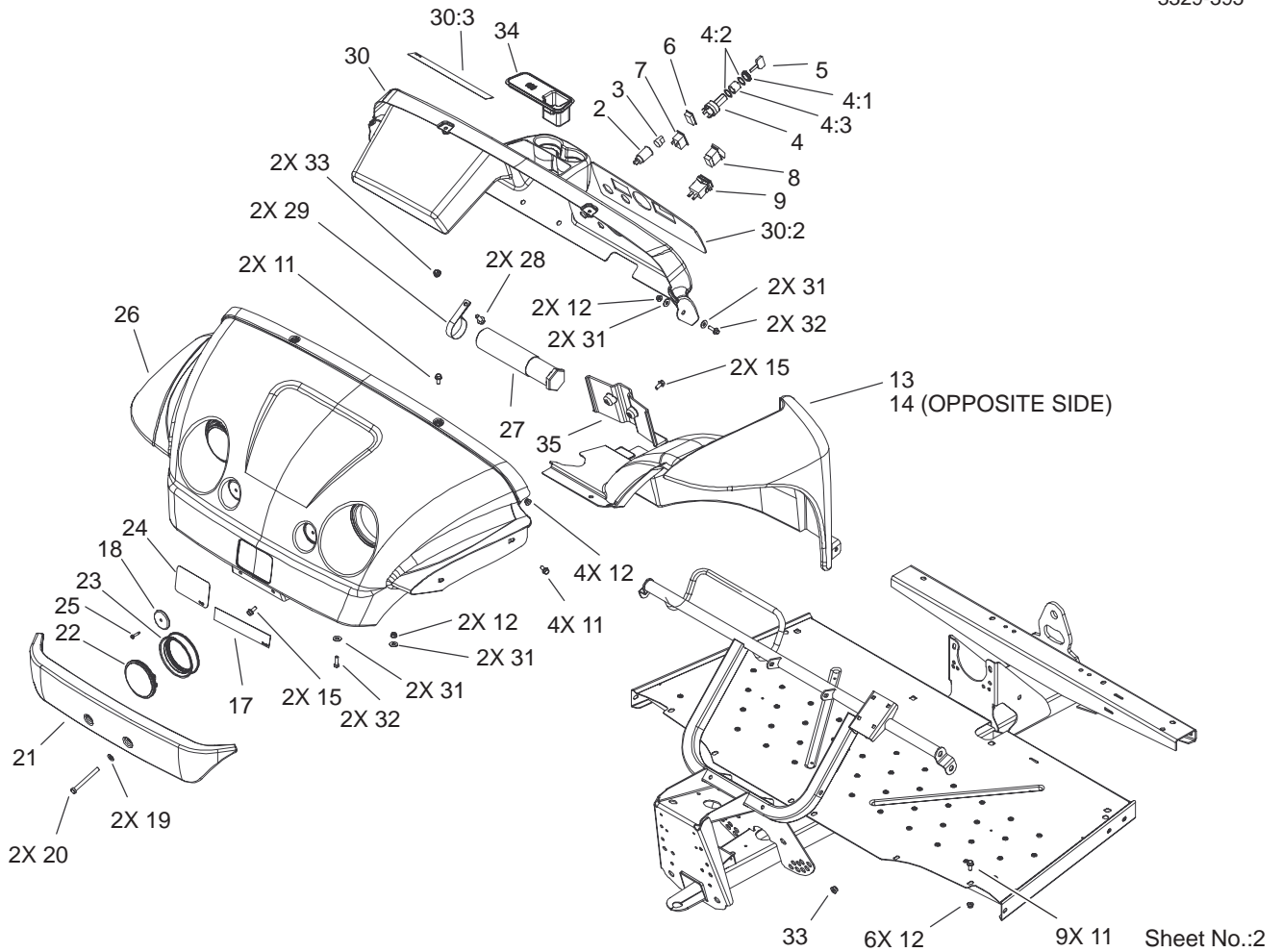
Contents

Description	Page	Description	Page
Hood and Fender Assembly	3	Electrical Schematic	29
Pedal Assembly	4	Cylinder Assembly	
Shifter Assembly	5	Briggs and Stratton Engine 303440-1320-E1	30
Frame Assembly	6	Crankcase Assembly	
Seatbase Assembly	7	Briggs and Stratton Engine 303440-1320-E1	31
Front Tire and Steering Assembly	8	Crankshaft Assembly	
Engine and Clutch Assembly	9	Briggs and Stratton Engine 303440-1320-E1	32
Drive Clutch Assembly No. 99-7145	11	Cylinder Head Assembly	
Starter Generator Assembly No. 99-7108	12	Briggs and Stratton Engine 303440-1320-E1	33
Rear Tire and Transaxle Assembly	13	Cylinder Head Assembly	
Transaxle Assembly No. 104-6898	14	Briggs and Stratton Engine 303440-1320-E1	34
Driven Clutch Assembly No. 99-7104	16	Oil Filter, Tube and Pump Assembly	
Left hand Brake Assembly No. 104-6807	17	Briggs and Stratton Engine 303440-1320-E1	35
Right Hand Brake Assembly No. 104-6806	18	Carburetor Assembly	
Drivetrain Mount Assembly	19	Briggs and Stratton Engine 303440-1320-E1	36
Air Filter Assembly No. 99-7120	20	Intake Manifold Assembly	
Upper Steering Assembly	21	Briggs and Stratton Engine 303440-1320-E1	37
Steering Gearbox Assembly No. 99-7660	22	Flywheel Assembly	
Box and Tailgate Installation Assembly	23	Briggs and Stratton Engine 303440-1320-E1	38
Box and Tailgate Assembly	24	Blower Housing Assembly	
Hydraulic Brake Assembly	25	Briggs and Stratton Engine 303440-1320-E1	39
Left Hand Caliper Assembly No. 104-6801	26	Gasket Assembly	
Right Hand Caliper Assembly No. 104-6802	27	Briggs and Stratton Engine 303440-1320-E1	40
Master Cylinder Assembly No. 104-6782	28	Carburetor Overhaul Kit Assembly	
		Briggs and Stratton Engine 303440-1320-E1	41

Part Description Abbreviations

Part descriptions in this catalog may include the following abbreviations.

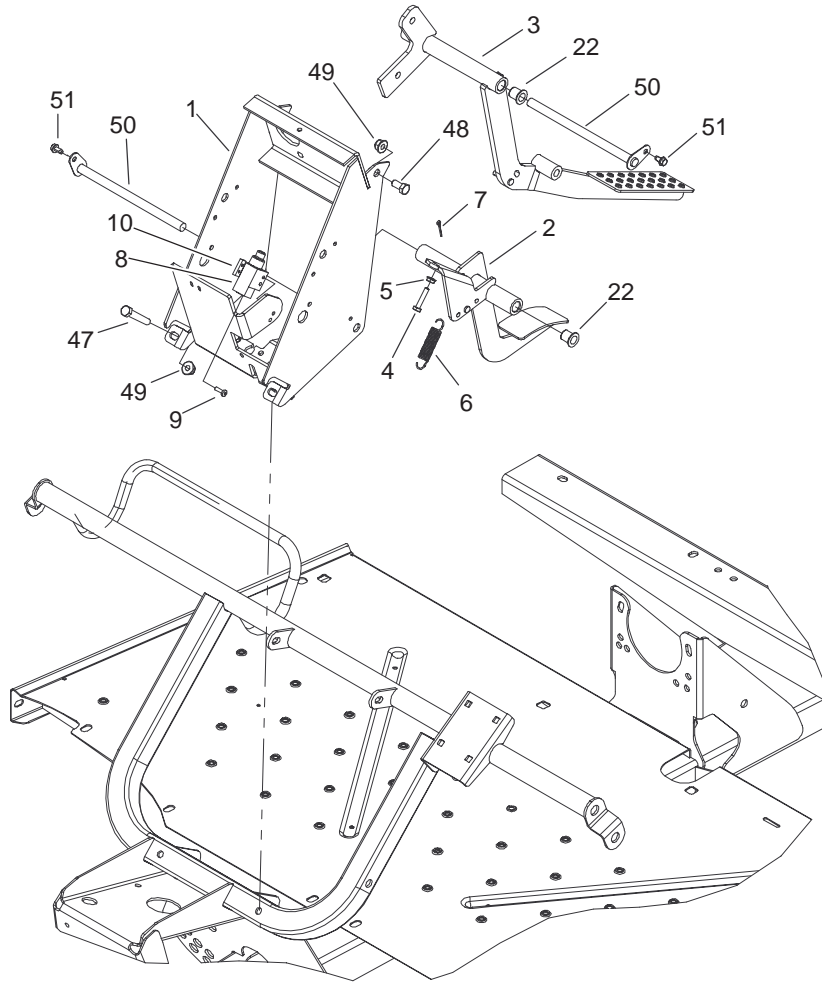
Abbreviation	Meaning	Abbreviation	Meaning
AR	as required	HYD	hydraulic
ASM	assembly	INC	incorporated
CARR	carriage	LH	left hand
DEG	degrees	NI	nylon insert
FH	flat head	PPH	Phillips pan head
GA	gauge	PTH	Phillips truss head
HF	hex flange	PTO	power take off
HH	hex head	RH	right hand
HHF	hex head flange	SFH	slotted fillister head
HLH	hex lag head	SHH	slotted hex head
HJ	hex jam	SQH	square head
HOC	height-of-cut	SHWH	slotted hex washer head
HS	hex socket	SPH	slotted pan head
HSBH	hex socket button head	SRH	slotted round head
HSFH	hex socket flat head	STD	standard
HSH	hex socket head	TAP	self tapping
HWH	hex washer head	TTH	Torx truss head
HWHTF	hex washer head thread forming	WH	wing head



Hood and Fender Assembly

Ref. No.	Part No.	Qty.	Description
2	99-7411	1	Point-Power
3	99-7416	1	Cap
4	104-6929	1	Switch-Ignition
4:1	104-7042	1	Nut-Switch, Plastic
4:2	104-7019	2	Washer-Lock, Internal
4:3	104-7021	1	Spacer-Switch
5	99-7418	2	Key-Ignition
6	99-7420	1	Plug-Hole
7	99-7410	1	Light-Oil
8	95-8999	1	Switch
9	94-4208	1	Hourmeter
11	3234-5	14	Screw
12	104-8300	14	Nut-Flange, NI
13	104-7076	1	LH Fender ASM
14	104-7077	1	RH Fender ASM
15	104-7206	4	Screw Hfh
17	104-7267	1	Decal-W orkman, 2110
18	99-7312	2	Reflector
19	3256-24	2	Washer-Flat
20	323-42	2	Screw-HH
21	99-7733	1	Bumper-Plastic
22	99-7310	2	Headlight
23	99-7311	2	Mount-Headlight
24	99-7339	1	Decal-Logo, Toro
25	32144-89	2	Screw-Forming, Thread

Ref. No.	Part No.	Qty.	Description
26	104-7003	1	Hood
27	74-0720	1	Tube-Manual
28	3234-11	2	Screw-HHF
29	2412-133	2	R-Clamp
30	104-6849	1	Dash ASM
30:2	99-7343	1	Decal-W arning, Dash
30:3	104-6581	1	Decal-Danger
31	3256-3	8	Washer-Flat
32	3234-17	4	Screw-HHF
33	104-8301	4	Nut-Flange, NI
34	104-6930	1	Plug-Rubber
35	104-7075	1	Cover-Channel

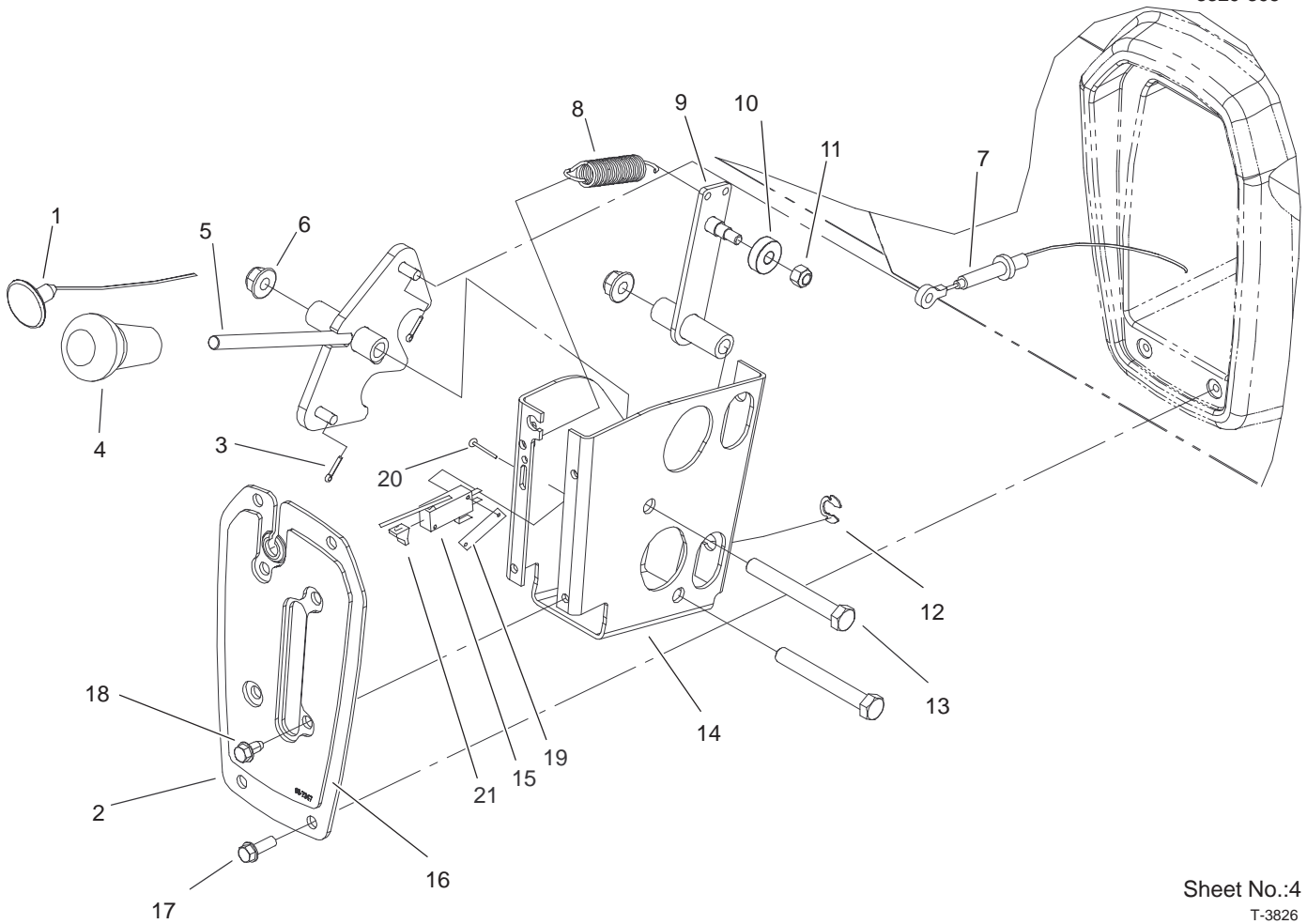


Sheet No.:3

Pedal Assembly

Ref. No.	Part No.	Qty.	Description
1	104-7160-03	1	Frame-Pedals
2	104-7165-03	1	Pedal-Throttle
3	104-7170-03	1	Pedal-Brake
4	321-8	2	Screw-HH
5	32149-2	2	Nut
6	104-6415	1	Spring-Return, Pedal
7	3272-6	1	Pin-Cotter
8	99-7407	1	Switch
9	3290-500	2	Screw-PPH
10	1-633181	1	Plate-Tapped
22	256-155	4	Bushing-Flange
47	323-1 1	2	Screw-HH
48	323-4	2	Screw-HH
49	104-8301	4	Nut-Flange, NI
50	104-7164	2	Pivot-Pedals
51	12-3270	2	Screw

Ref. No.	Part No.	Qty.	Description

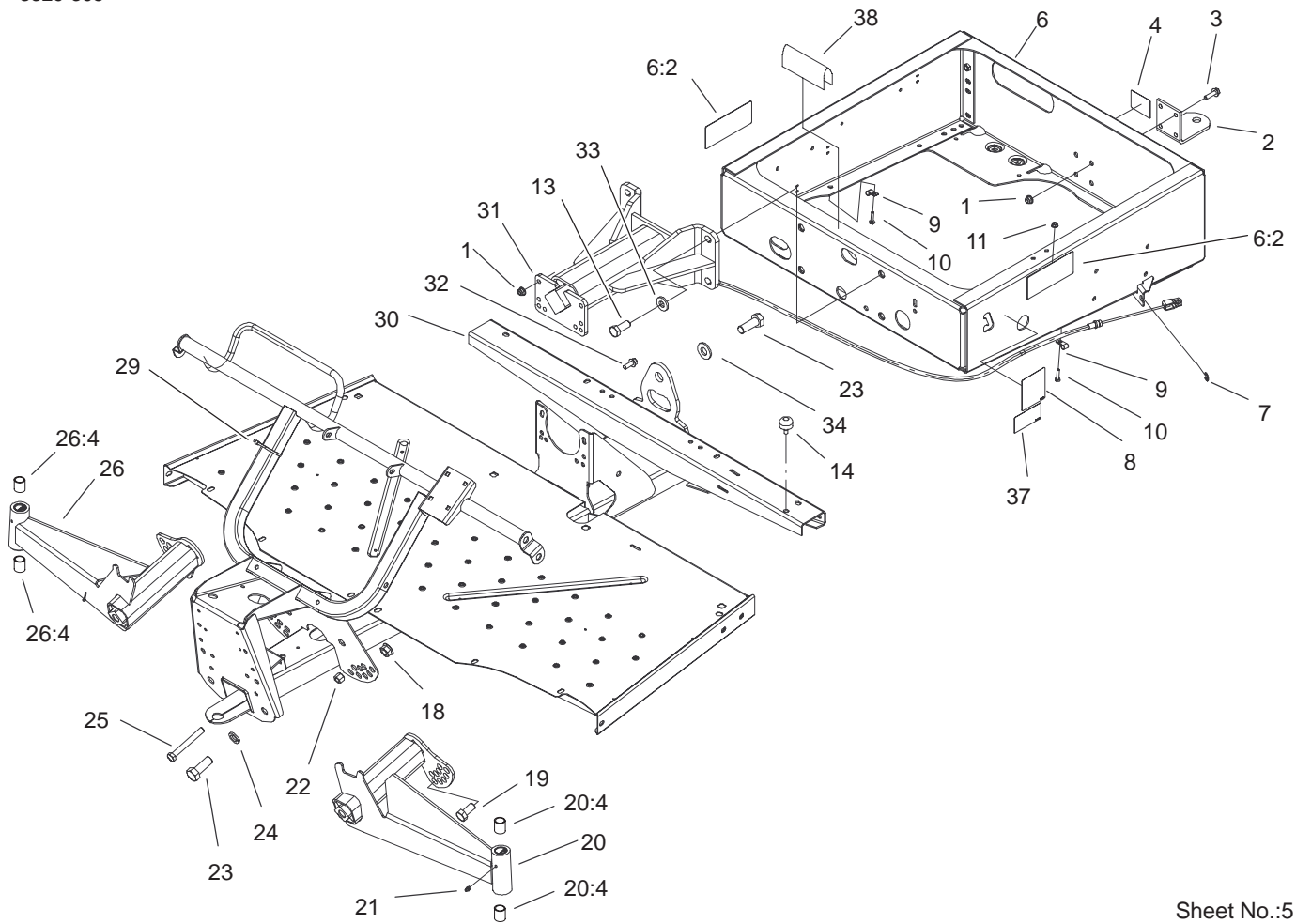


Sheet No.:4
T-3826

Shifter Assembly

Ref. No.	Part No.	Qty.	Description
1	99-71 11	1	Cable-Choke
2	99-7887-03	1	Plate-Shifter
3	3272-5	2	Pin-Cotter
4	99-7981	1	Knob-Grip, Soft
5	99-7879	1	Lever-Shifter
6	104-8301	2	Nut-Flange, NI
7	104-6896	2	Cable-Shift
8	104-6415	1	Spring-Return, Pedal
9	99-7176	1	Detent
10	251-307	1	Bearing-Ball
11	3296-42	1	Nut-Lock, NI
12	32151-101	2	E-Ring
13	323-14	2	Screw-HH
14	104-6509-03	1	Bracket-Shift
15	88-9932	1	Switch-Micro
16	99-7952	1	Decal-Shifter
17	32105-15	4	Screw
18	12-3270	4	Screw
19	3290-354	1	Nut-Speed
20	3290-313	2	Screw-PH
21	93-3240	1	Plunger-Seal

Ref. No.	Part No.	Qty.	Description

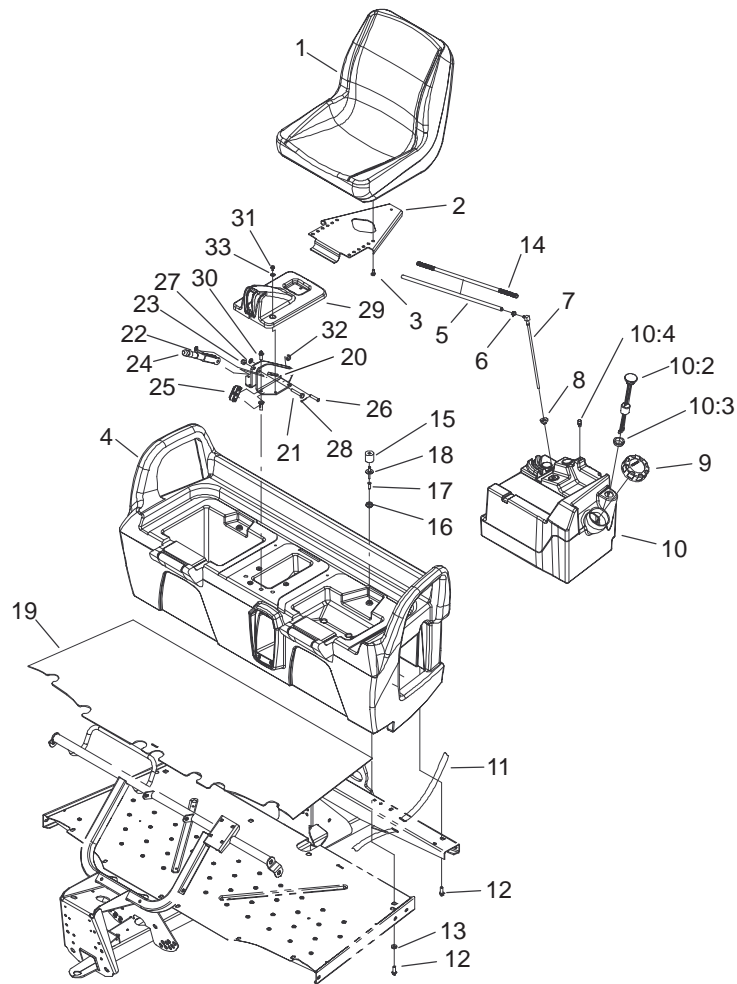


Sheet No.:5

Frame Assembly

Ref. No.	Part No.	Qty.	Description
1	104-8301	8	Nut-Flange, NI
2	99-7654-03	1	Hitch-Duty, Light
3	3234-24	4	Screw-HHF
4	99-7350	1	Decal-Information
6	99-7362	1	Rear Frame ASM
6:2	99-7345	2	Decal-Warning
7	32120-47	2	Ring-Retaining, External
8	99-7349	1	Decal-Information, Boxlatch
9	2412-89	2	Clamp
10	321-6	2	Screw-HH
11	32128-33	2	Nut-HF
13	327-4	4	Screw-HH
14	87-2440	1	Bumper-Rubber
18	32128-54	2	Nut-Flange
19	3214-2	2	Screw-HH
20	99-7685	1	LH A-Arm ASM
20:4	3-0348	2	Bushing
21	302-5	2	Fitting-Grease
22	3296-23	2	Nut-Lock, NI
23	328-24	5	Screw-HH
24	3254-7	4	Washer-Lock/Int
25	325-17	2	Screw-HH
26	99-7684	1	RH A-Arm ASM
26:4	3-0348	2	Bushing

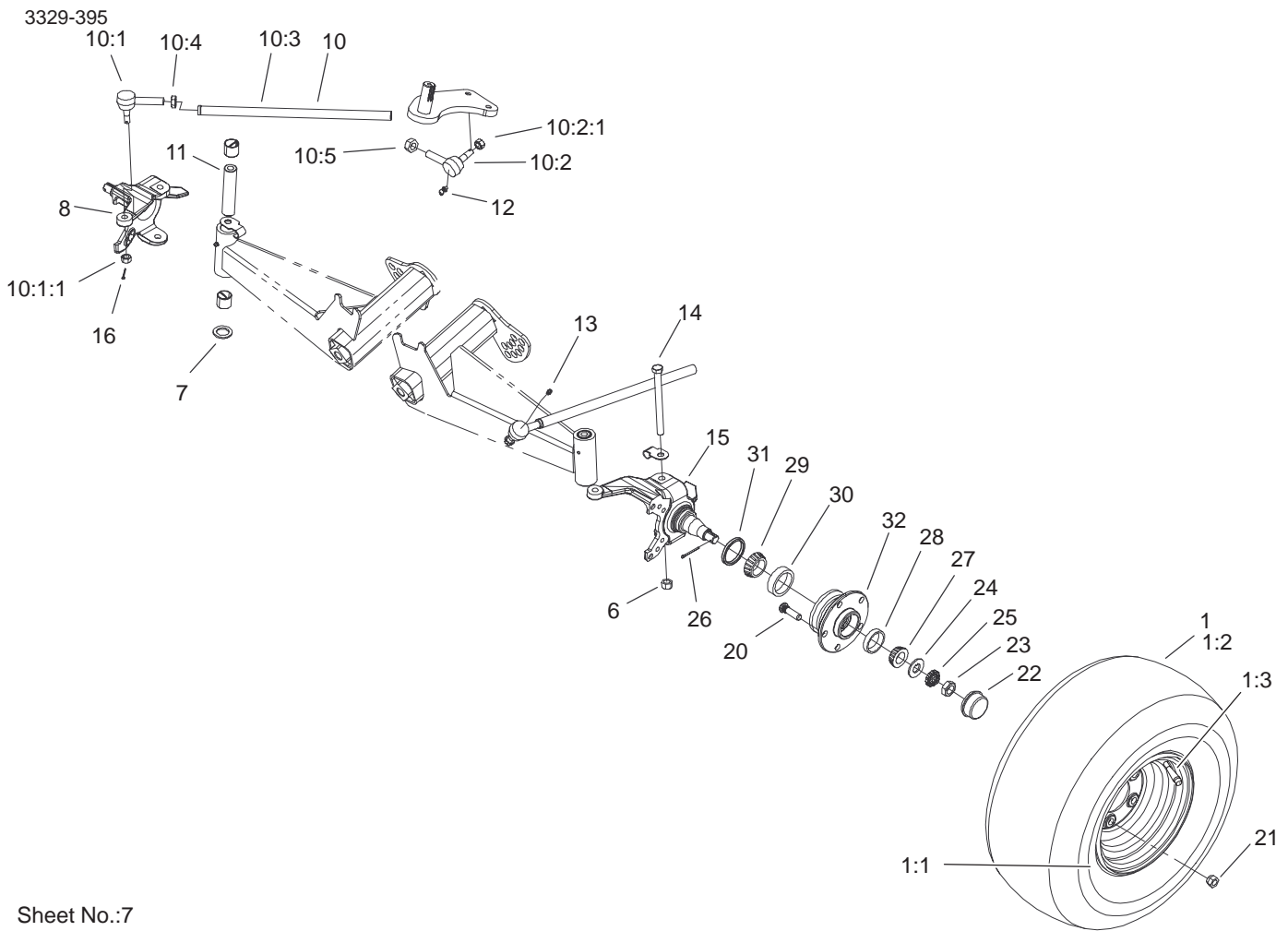
Ref. No.	Part No.	Qty.	Description
29	3290-379	12	Tie-Cable
30	104-7197-03	1	Front Frame ASM
31	99-7700	1	Pivot Yoke ASM
32	3234-1 1	4	Screw-HHF
33	99-7667	4	Washer-Flat
34	87-3060	1	Washer-Hardened
37	104-6591	1	Decal-Capacity
38	95-5686	1	Trim



Sheet No.:6

Seatbase Assembly

Ref. No.	Part No.	Qty.	Description	Ref. No.	Part No.	Qty.	Description
1	99-7281	2	Seat	22	3290-477	1	Washer-Curved
2	99-7829	2	Bracket-Seat	23	3296-39	1	Nut-Lock, NI
3	33114-016	8	Screw-HH	24	104-6842	1	Lever-Brake, Park
4	104-6847	1	Seat Base ASM	25	87-3480	1	Bracket-Equalizer , Cable
5	99-7187	1	Hose-Fuel	26	94-3829	1	Pin-Clevis
6	2412-98	1	Clamp	27	3256-23	1	Washer-Flat
7	99-7264	1	Pipe-Stand	28	3272-6	1	Pin-Cotter
8	46-6560	1	Bushing	29	104-7014	1	Cover-Brake, Parking
9	95-4192	1	Unleaded Gas Cap ASM	30	3234-17	4	Screw-HHF
10	99-7323	1	Fuel Tank ASM	31	12-3270	2	Screw
10:2	99-7262	1	Gauge-Fuel	32	32120-47	2	Ring-Retaining, External
10:3	95-8972	1	Grommet	33	3256-1	2	Washer-Flat
10:4	99-7267	1	Vent-Air				
11	3339-175	1	Strapping-W eb, 48in				
12	3234-17	8	Screw-HHF				
13	88-7200	4	Washer-Flat				
14	99-7129	1	Conduit-Line, Fuel				
15	99-7830	2	Rubber Receptical ASM				
16	99-7833	2	Post-Holding				
17	32108-5	2	Screw-FH				
18	3290-412	2	Rivet				
19	104-6590	1	Mat-Floor				
20	104-6844-03	1	Support-Brake, Park				
21	323-10	1	Screw-HH				



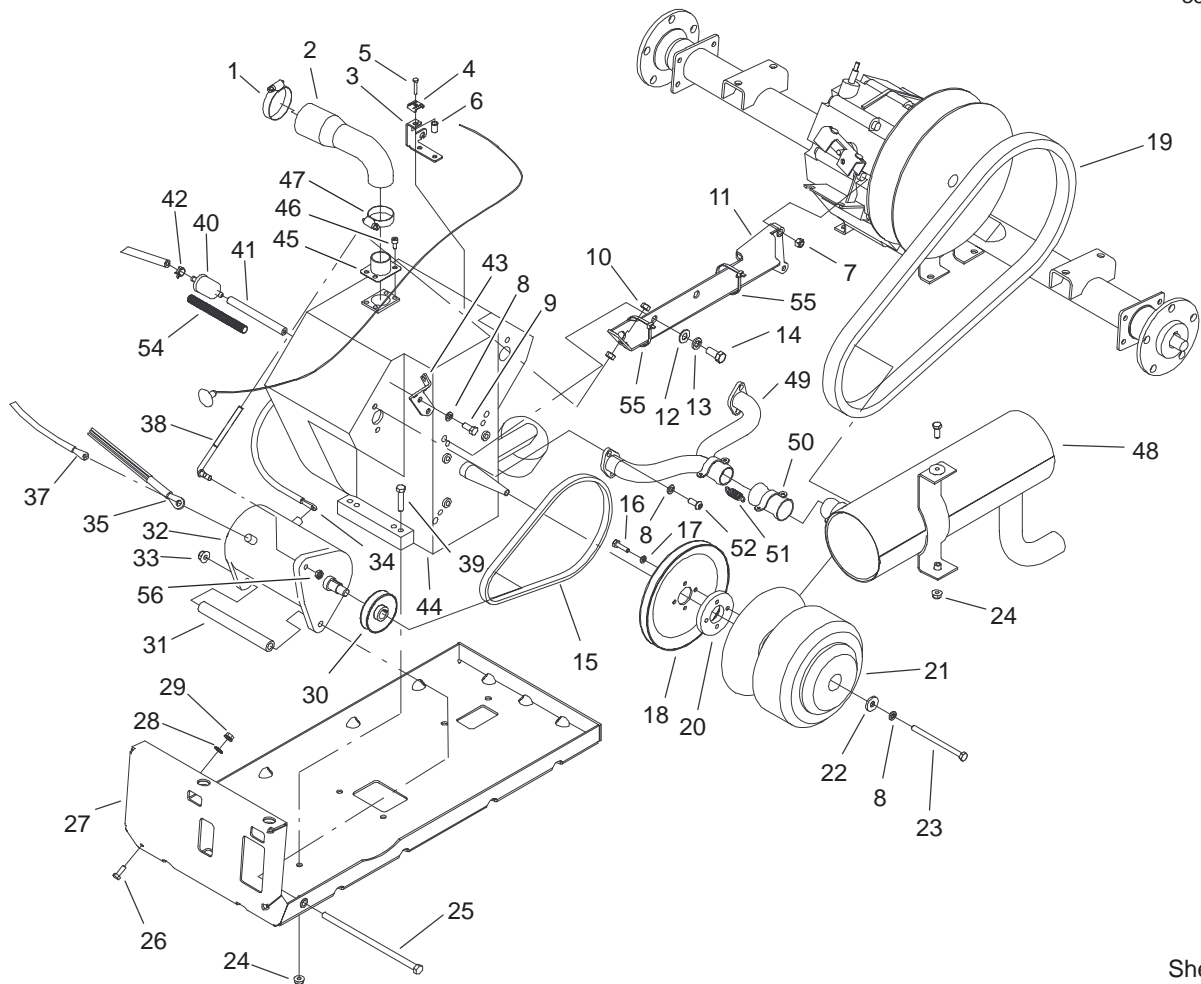
Sheet No.:7

Front Tire and Steering Assembly

Ref. No.	Part No.	Qty.	Description
1	104-7085	2	Tire/Wheel ASM
1:1	104-7082	1	Wheel
1:2	104-7064	1	Tire
1:3	232-27	1	Stem-V alve
6	3296-23	2	Nut-Lock, NI
7	256-1 15	2	Washer-Thrust
8	104-6877-03	1	Spindle-Machined, RH Disc
★10		2	Tie Rod ASM
10:1	112772	1	Joint-Ball, RH
10:1:1	915031	1	Nut
10:2	112771	1	Joint-Ball, LH
10:2:1	915031	1	Nut
10:3	99-7600-03	1	Rod-Tie
10:4	3220-1 1	1	Nut-Jam
10:5	3218-21	1	Nut-Jam
11	99-7499	2	Sleeve-Kingpin
12	302-60	2	Fitting-Grease
13	302-5	2	Fitting-Grease
14	325-20	2	Screw-HH
15	104-6876-03	1	Spindle-Disc, LH
16	3272-7	4	Pin-Cotter
20	10-6830	10	Stud-T ype, Drive
21	242-50	10	Nut-Lug
22	241-1 19	2	Cap-Dust
23	3220-7	2	Nut-Jam

Ref. No.	Part No.	Qty.	Description
24	93-0309	2	Washer-T ab
25	93-0307	2	Nut-Lock, Retainer
26	3272-12	2	Pin-Cotter
27	254-94	2	Bearing-Cone, Taper
28	254-72	2	Bearing-Cup, Tapered
29	254-106	2	Cone-Bearing, Tapered
30	254-107	2	Cup-Bearing, Tapered
31	87-3590	2	Seal-Bearing
32	104-6809-03	2	Hub (Machined)

★ Not serviced separately

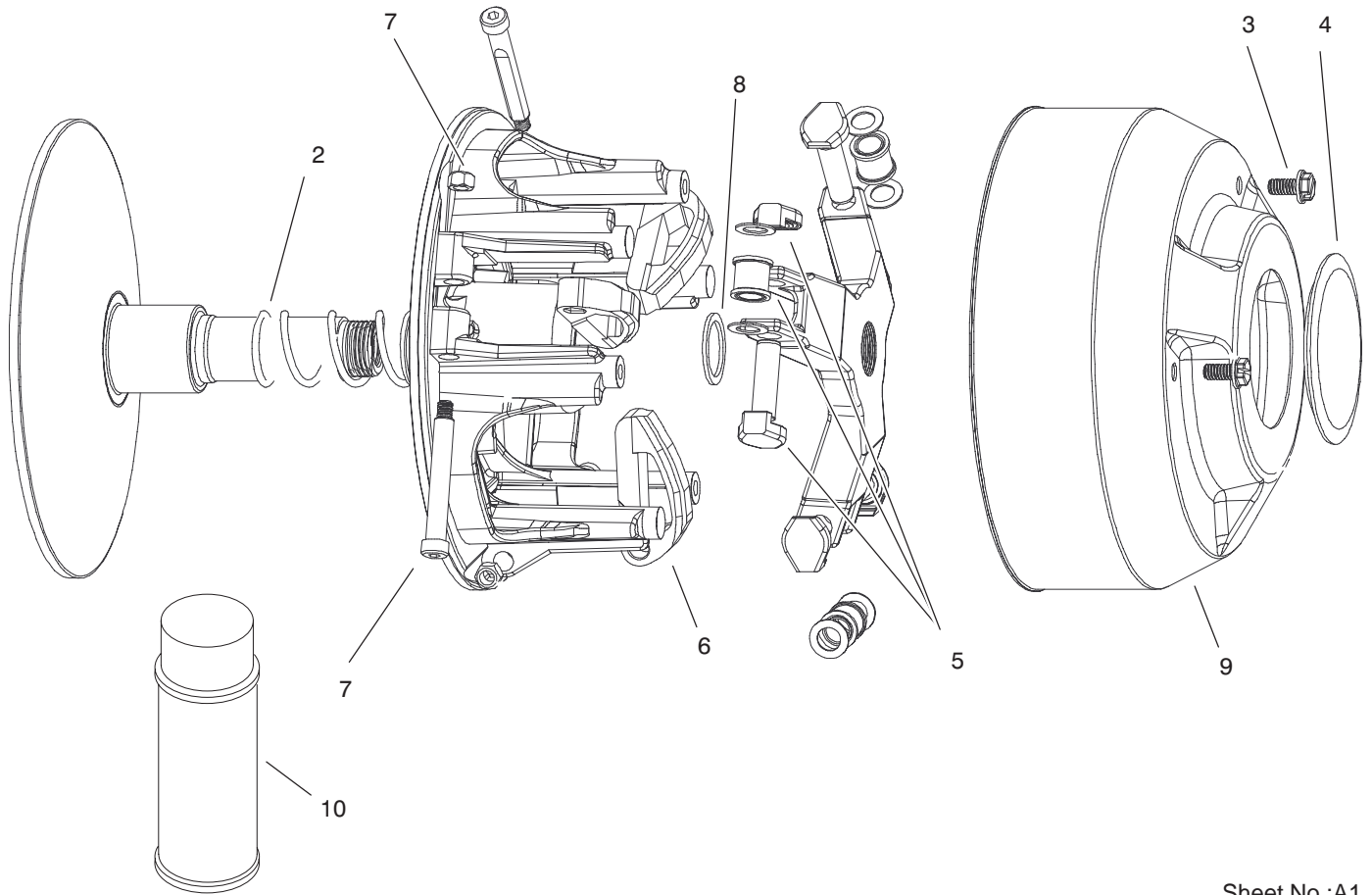


Sheet No.:8

Engine and Clutch Assembly

Ref. No.	Part No.	Qty.	Description
1	2412-130	1	Clamp-Hose
2	99-7106	1	Hose-Intake
3	99-7097	1	Bracket-Cable
4	81-1690	1	Clamp-Cable
5	3290-432	1	Screw-HH
6	32148-14	1	Insert-Threaded
7	33024-00	2	Nut-Lock
8	3253-4	6	Washer-Lock
9	66-3160	2	Screw-Cap
10	3217-6	2	Nut-Hex
11	104-6631-03	1	Torque Arm ASM
12	3256-25	2	Washer-Flat
13	3253-6	2	Washer-Lock
14	324-4	2	Screw-HH
15	99-7133	1	V-Belt-Starter
16	321-6	4	Screw-HH
17	3253-3	4	Washer-Lock
18	99-7131	1	Pulley-Engine
19	99-7144	1	Belt-Drive
20	99-7064	1	Spacer-Starter
21	99-7145	1	Clutch-Drive
22	5-0838	1	Washer
23	99-7201	1	Screw-HH
24	104-8300	5	Nut-Flange, NI
25	99-7203	1	Screw
26	321-4	1	Screw-HH

Ref. No.	Part No.	Qty.	Description
27	104-6433-03	1	Mount-Engine
28	3255-8	1	Washer-Lock
29	32128-32	1	Nut-HHF
30	99-7130	1	Pulley-Starter
31	99-7053	1	Pivot-Starter
32	99-7108	1	Generator-Starter
33	104-8301	2	Nut-Flange, NI
34	99-7403	1	Cable-Negative
35	99-7437	1	Harness-Wire, Engine
37	104-6926	1	Cable-Positive
38	104-6629	1	Rod-Starter
39	322-8	4	Screw-HH
40	94-2690	1	Filter-Fuel
41	47-2966	1	Hose-Fuel
42	2412-98	3	Clamp
43	104-7152	1	Bracket-Cable, Throttle
44	104-6466	1	Engine-16hp, Briggs & Stratton
45	99-7083	1	Bracket-Intake
46	99-7202	4	Screw
47	2412-3	1	Clamp-Hose
48	104-6475	1	Muffler-Engine
49	104-6476	1	Manifold-Engine
50	104-6477	1	Coupler-Exhaust

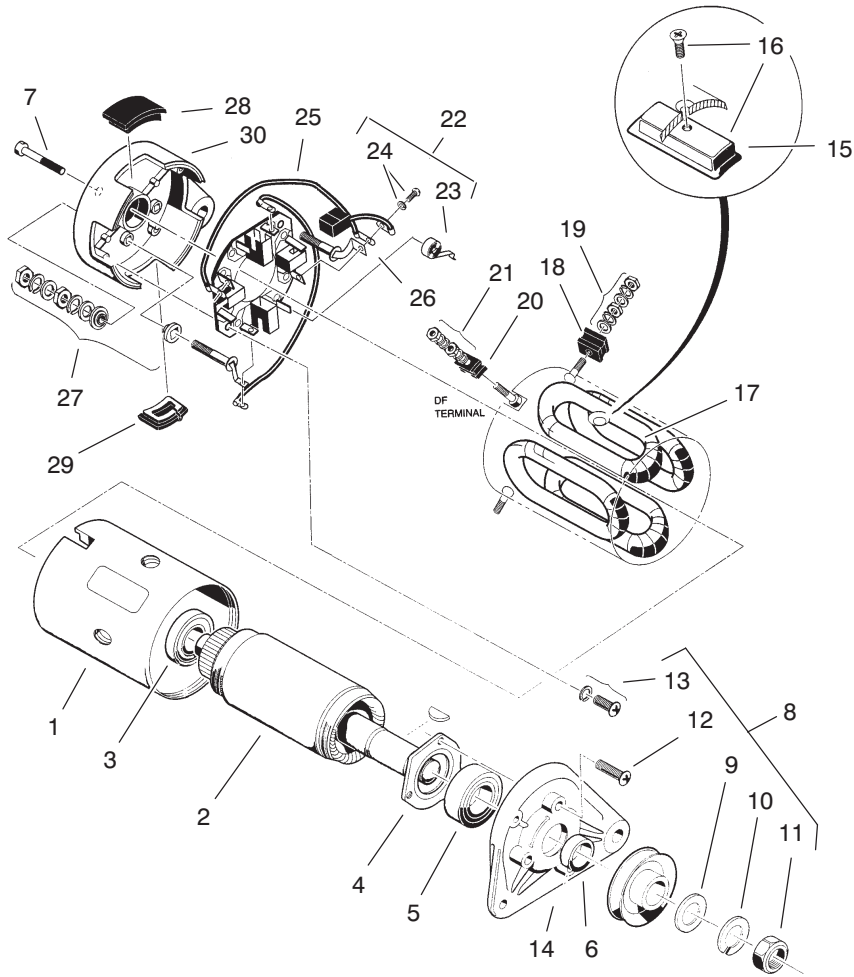


Sheet No.:A1
T-3580

Drive Clutch Assembly No. 99-7145

Ref. No.	Part No.	Qty.	Description
2	104-1686	1	Spring
3	3234-26	3	Screw
4	104-1690	1	Cap
5	104-1697	1	Spider Roller Kit
6	104-1696	1	Arm-Cam
7	104-4257	1	Button Kit
8	104-1687	1	Spacer
9	104-1691	1	Cover
10	104-7011	1	Lubricant-Dry

Ref. No.	Part No.	Qty.	Description



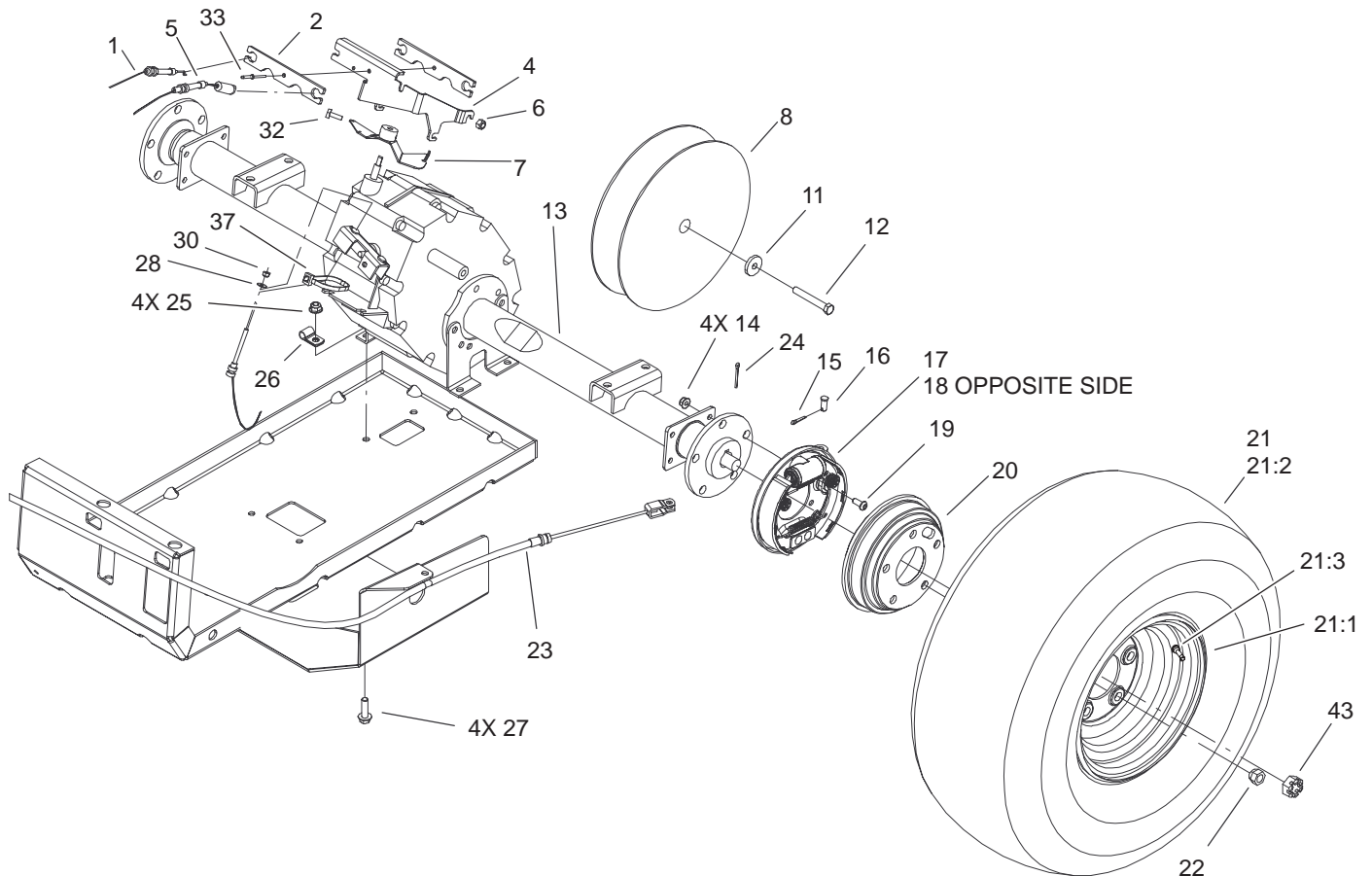
Sheet No.:A2
T-3545

Starter Generator Assembly No. 99-7108

Ref. No.	Part No.	Qty.	Description
☆1		1	Yoke
2	104-1210	1	Armature Kit
3	104-1211	1	Bearing-Ball, Rear
4	104-1212	1	Retainer
5	104-1213	1	Bearing-Ball, Front
6	104-1214	1	Spacer
7	104-1215	2	Bolt
☆8		1	Nut & Screw Set
9	104-1216	1	Washer-Plain
10	104-1217	1	Washer-Spring
11	104-1218	1	Nut-Hex
☆12		3	Screw-Flange
13	104-1219	2	Set-Screw
14	104-1220	1	Bracket-Front
☆15		4	Pole
16	104-1221	1	Set-Pole & Screw
17	104-1222	1	Field Stator Coil ASM
☆18		2	F Mold
19	104-1223	2	Set-Screw
☆20		1	Df Mold
21	104-1224	1	Set-Screw
22	104-1225	1	Brush Holder Kit
23	104-1226	4	Spring-Brush
24	104-1227	1	Brush & Screw Set
☆25		2	Brush Connector ASM
☆26		2	A Terminal ASM

Ref. No.	Part No.	Qty.	Description
27	104-1228	2	Screw & Mold ASM
☆28		1	Cover Set
☆29		1	Cover B
☆30		1	Bracket-Rear

☆ Not serviced separately



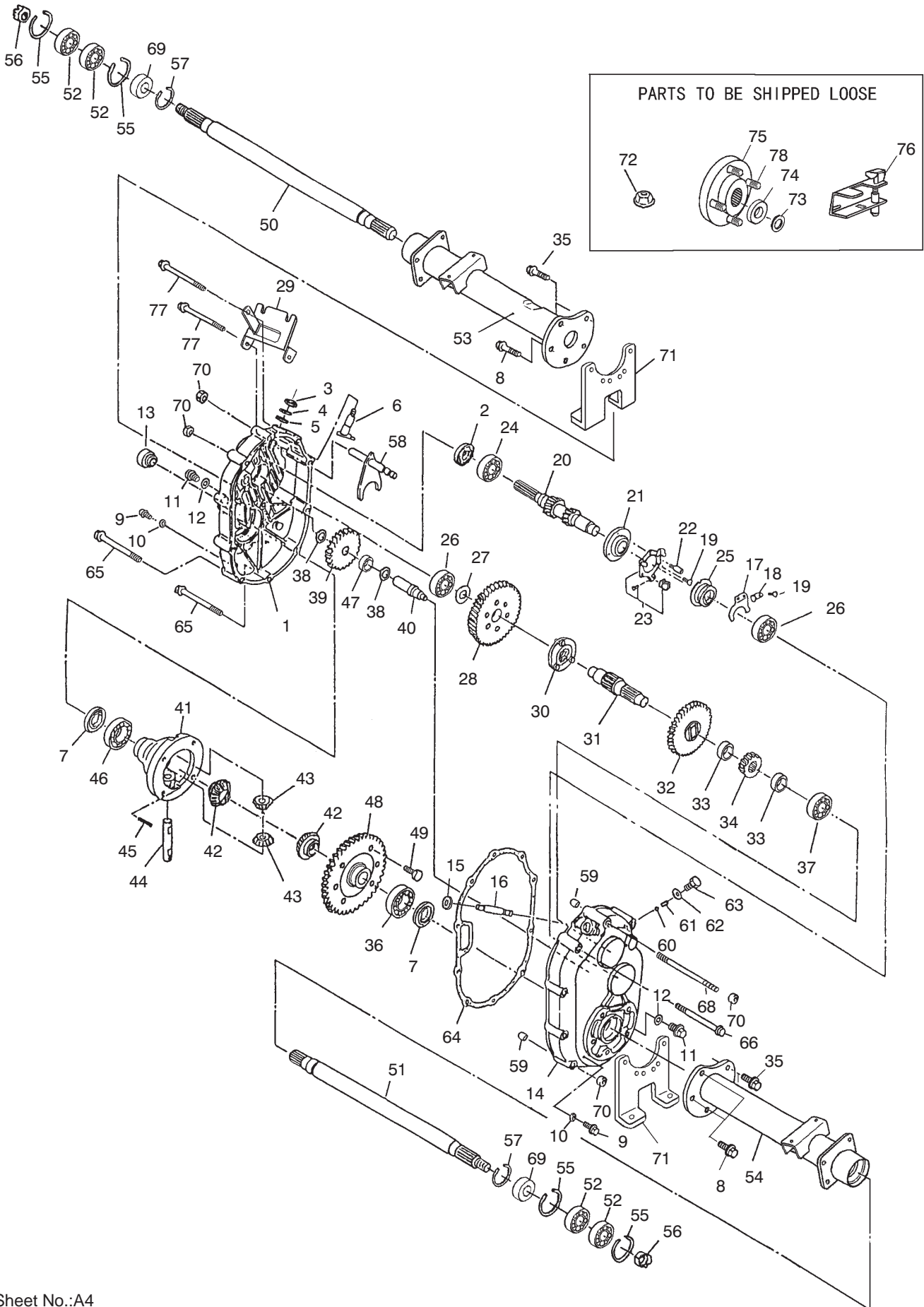
Sheet No.:9

Rear Tire and Transaxle Assembly

Ref. No.	Part No.	Qty.	Description
1	104-6584	1	Cable-Governor
2	99-7121	2	Bracket-T amper
4	99-7054	1	Bracket-Cables
5	104-6572	1	Cable-Throttle
6	33024-00	3	Nut-Lock
7	104-6569	1	Bracket-Governor
8	99-7104	1	Clutch-Driven
11	104-6563	1	Washer-Stepped
12	104-6564	1	Screw-HH
13	104-6898	1	Transaxle
14	104-8300	8	Nut-Flange, NI
15	3272-10	2	Pin-Cotter
16	283-62	2	Pin-Clevis
17	104-6807	1	LH Brake ASM
18	104-6806	1	RH Brake ASM
19	3274-55	8	Screw-HSBH
20	104-6500	2	Drum-Brake
21	104-7084	2	Tire/Wheel ASM
21:1	104-7083	1	Wheel
21:2	104-7063	1	Tire
21:3	232-27	1	Stem-V alve
22	242-50	10	Nut-Lug
23	104-6846	2	Cable-Brake, Park
24	3272-42	2	Pin-Cotter
25	104-8301	4	Nut-Flange, NI
26	2412-10	1	R-Clamp

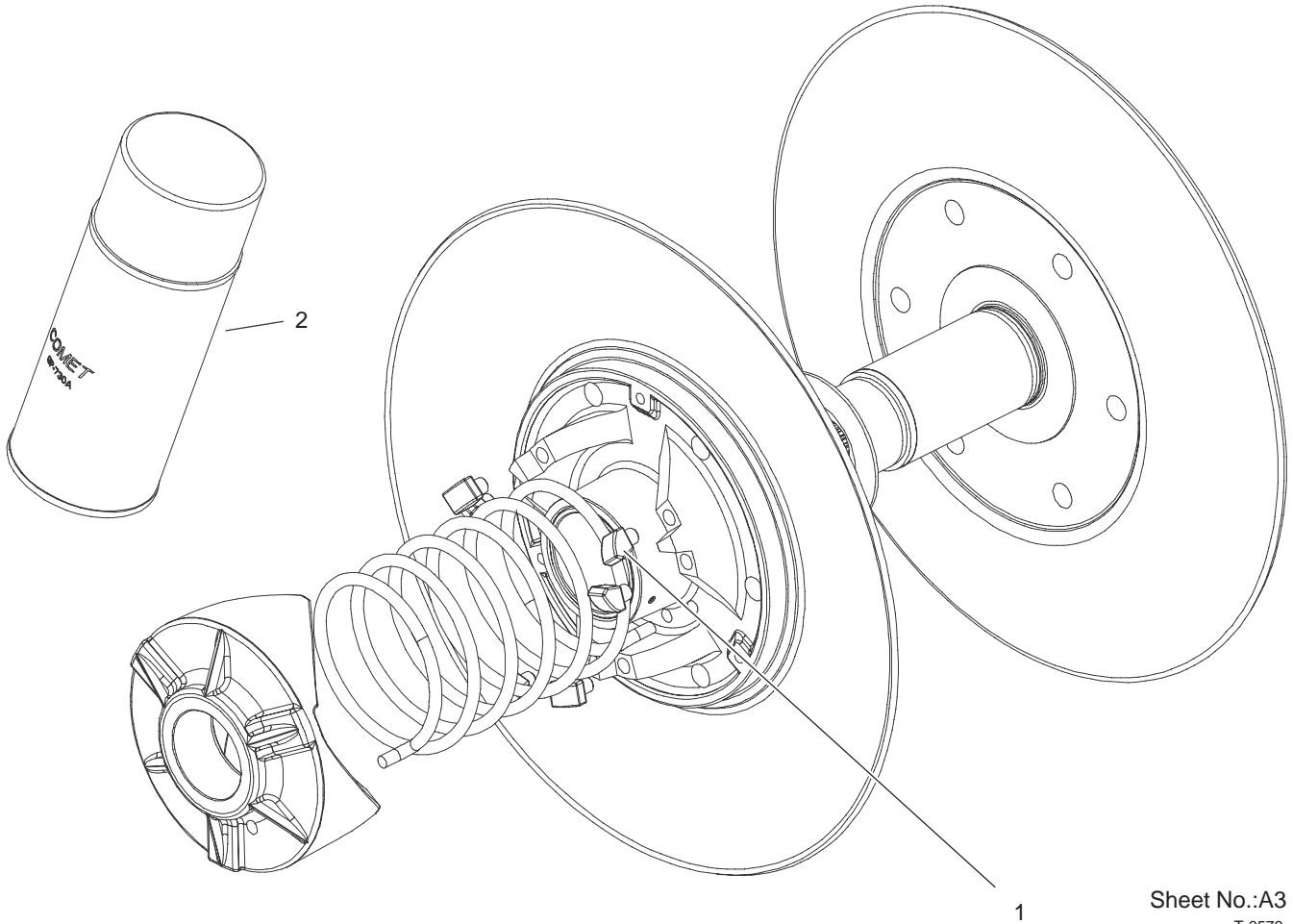
Ref. No.	Part No.	Qty.	Description
27	3234-24	4	Screw-HHF
28	3256-49	2	Washer-Flat
30	3296-2	2	Nut-Lock
32	3241-6	2	Screw-SQH
33	99-7122	1	Rivet-Annodized
37	3290-378	1	Tie-Cable
43	104-1656	2	Nut-Castle

Transaxle Assembly No. 104-6898



Transaxle Assembly No. 104-6898 (Continued)

Ref. No.	Part No.	Qty.	Description	Ref. No.	Part No.	Qty.	Description
1	104-1601	1	Case-LH, Complete	60	104-1660	1	Ball-Steel
2	104-1602	1	Seal-Oil	61	104-1661	1	Spring
3	104-1603	1	Seal-Oil	62	104-1662	1	Gasket
4	104-1604	1	Ring-Snap	63	104-1663	1	Bolt
5	104-1605	1	Spacer	64	104-1664	1	Gasket
6	104-1606	1	Shaft-Selector	65	104-1665	6	Bolt-Flange
7	104-1607	2	Seal-Oil	66	104-1666	1	Bolt-Flange
8	104-1608	4	Bolt-Flange	68	104-6866	1	Bolt
9	104-1609	2	Plug-Check, Oil	69	104-6867	2	Collar
10	104-1610	2	Gasket	70	33004-00	11	Nut-HF
11	104-1611	2	Plug-Drain, Oil	71	104-1671	2	Bracket-Axle
12	104-1612	2	Gasket	72	104-1672	1	Nut-Lock
13	104-1613	1	Plug-Filler, Oil	73	104-1673	2	Washer-Spring
14	104-1614	1	Case-Complete, RH	74	104-1674	2	Washer
15	104-1615	1	Seal-Oil	75	104-1675	2	Hub
16	104-1616	1	Shaft-Governor	76	104-6860	1	Lever-Select
17	104-1617	1	Fork-Governor	77	104-6869	2	Bolt-Flange
18	104-1618	1	Stopper	78	104-8649	10	Stud
19	104-1619	4	Screw And Washer ASM				
20	104-7002	1	Shaft-Input, Complete				
21	104-1621	1	Base-Governor				
22	104-1622	1	Pin-Lock				
23	104-1623	1	Unit-Plate, Governor				
24	104-1624	1	Bearing-Ball				
25	104-1625	1	Sleeve-Governor				
26	104-1626	2	Bearing-Ball				
27	104-1627	1	Spacer				
28	104-1628	1	Gear				
29	104-1629	1	Bracket-Wire, Change				
30	104-1630	1	Clutch-Pin				
31	104-1631	1	Shaft-Center				
32	104-1632	1	Gear-47				
33	104-1633	2	Collar				
34	104-1634	1	Gear				
35	104-1635	6	Bolt-Flange				
36	104-1636	1	Bearing-Ball				
37	104-1637	1	Bearing-Ball				
38	104-1638	2	Spacer				
39	104-1639	1	Gear-34				
40	104-1640	1	Shaft-Counter				
41	104-1641	1	Case-Dif ferential				
42	104-1642	2	Gear-Side, Differential				
43	104-1643	2	Pinion-Dif ferential				
44	104-1644	1	Shaft-Dif ferential				
45	104-1645	1	Pin				
46	104-1646	1	Bearing-Ball				
47	104-1647	1	Bearing-Needle				
48	104-1648	1	Gear-62				
49	104-1649	6	Bolt				
50	104-1650	1	Shaft-Axle, LH				
51	104-1651	1	Shaft-Axle, RH				
52	104-1652	4	Bearing-Ball				
53	104-1653	1	Case-Axle, LH				
54	104-1654	1	Case-Axle, RH				
55	104-1655	4	Ring-Snap				
56	104-1656	2	Nut-Castle				
57	104-1657	2	Ring-Snap				
58	104-6870	1	Shaft-Shift, Complete				
59	104-1659	2	Knock-Pipe				

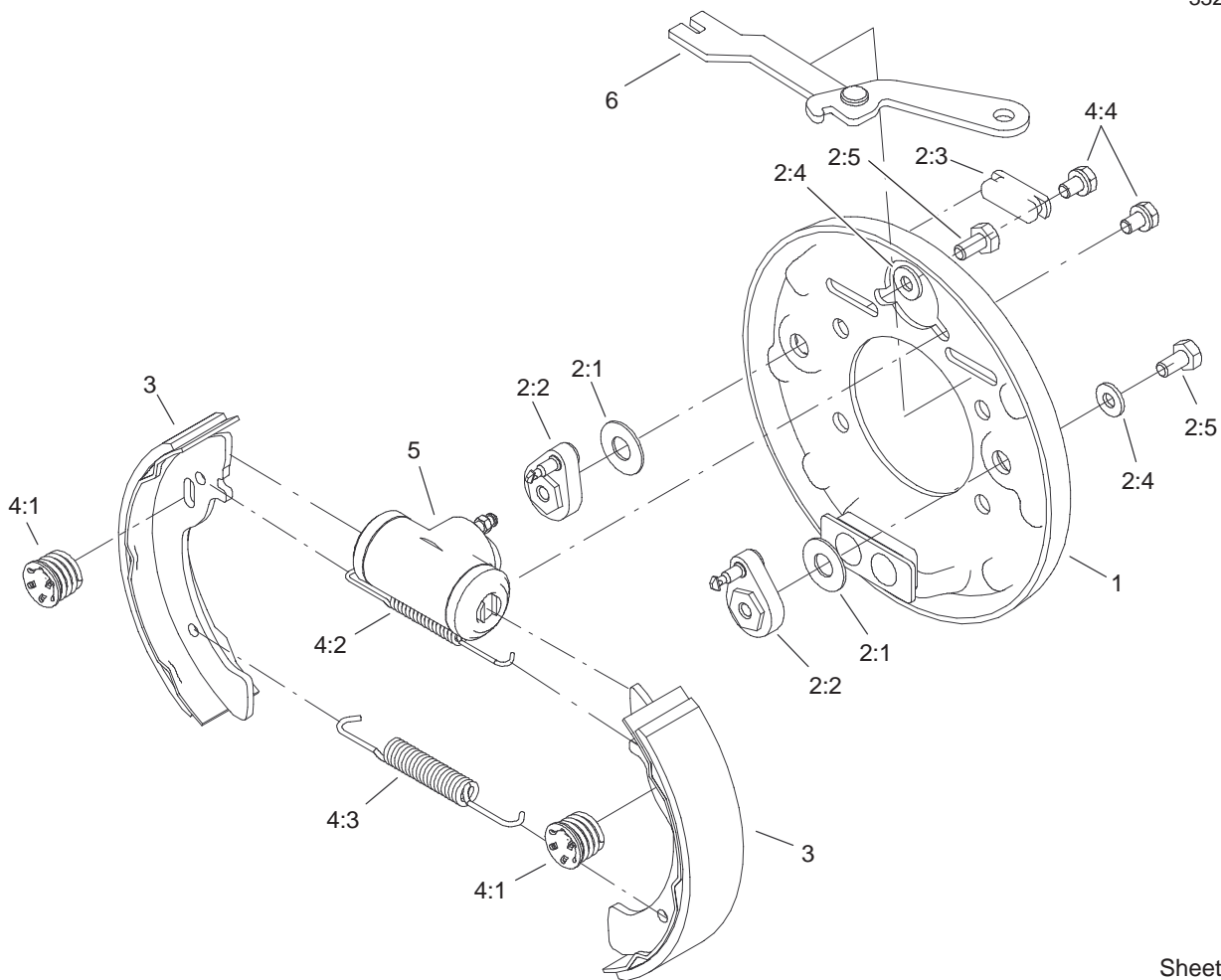


Sheet No.:A3
T-3579

Driven Clutch Assembly No. 99-7104

Ref. No.	Part No.	Qty.	Description
1	104-4256	6	Pivot Bolt And Nut Kit
2	104-7011	1	Lubricant-Dry

Ref. No.	Part No.	Qty.	Description



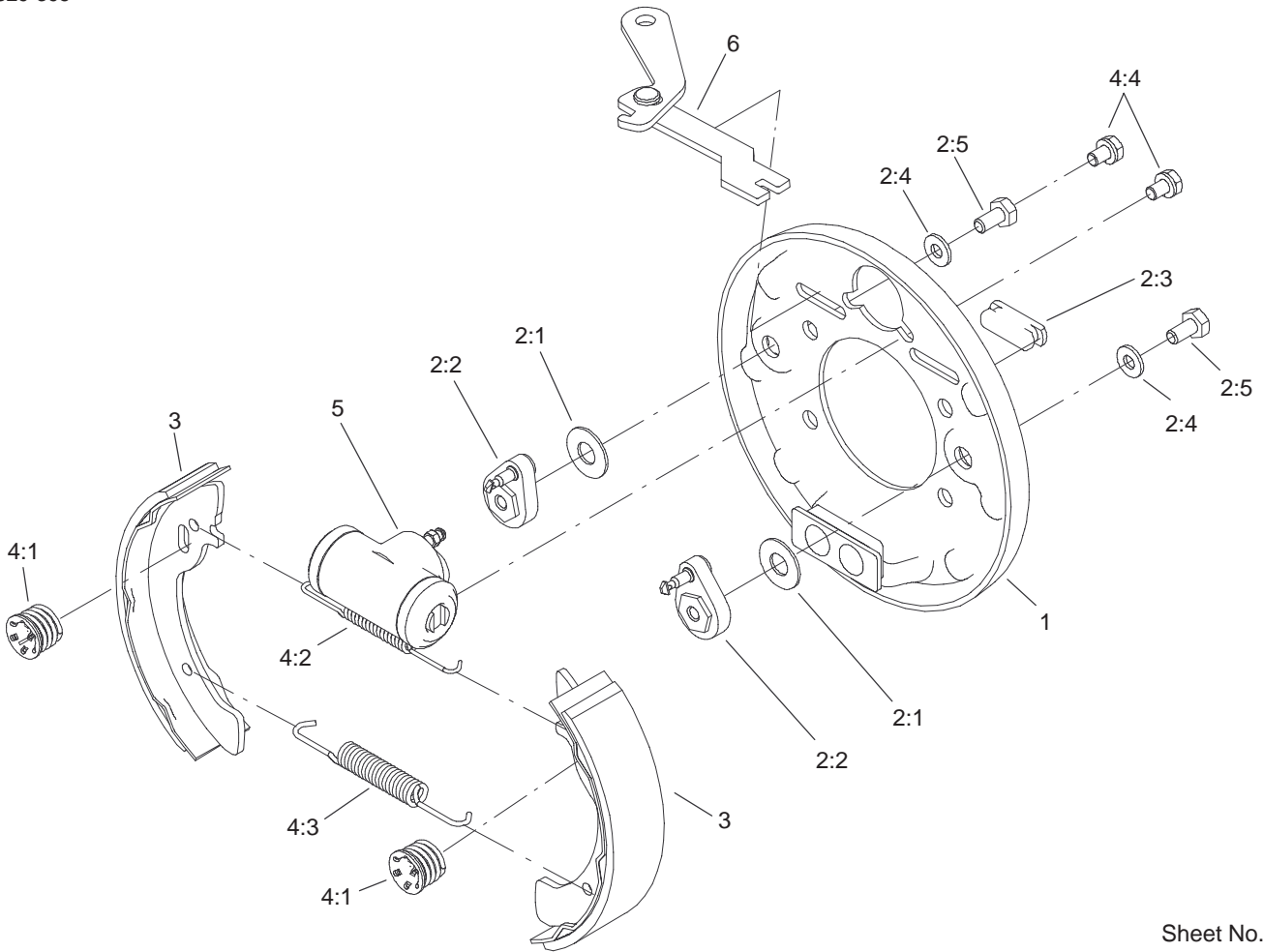
Sheet No.:A5

Left hand Brake Assembly No. 104-6807

Ref. No.	Part No.	Qty.	Description
1	100-8586	1	Backing Plate ASM
2	104-6820	1	Adjuster Kit
2:1	100-8585	2	Washer-Bellville
2:2	100-8588	2	Adjuster Lever ASM
2:3	100-8584	2	Cover-Dust
☆2:4		2	Washer
☆2:5		2	Bolt
3	104-6818	4	Shoe & Lining Kit
4	104-6819	1	Hardware Kit
4:1	100-8583	2	Shoe Hold Down Spring ASM
4:2	100-8581	2	Spring-Upper
4:3	100-8582	2	Spring-Lower
☆4:4		2	Bolt & Washer
5	104-6824	1	Wheel Cylinder ASM
6	104-6825	1	LH Park Brake Lever ASM

Ref. No.	Part No.	Qty.	Description

☆ Not serviced separately



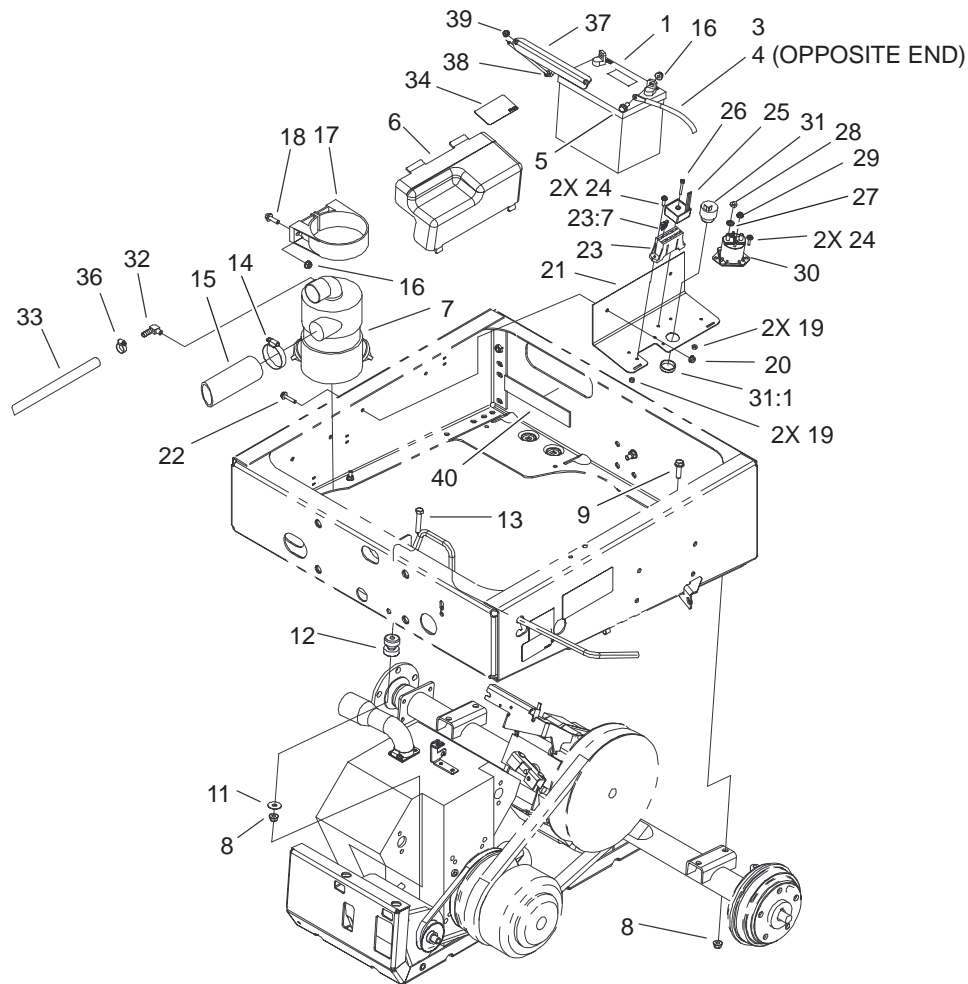
Sheet No.:A6

Right Hand Brake Assembly No. 104-6806

Ref. No.	Part No.	Qty.	Description
1	100-8586	1	Backing Plate ASM
2	104-6820	1	Adjuster Kit
2:1	100-8585	2	Washer-Bellville
2:2	100-8588	2	Adjuster Lever ASM
2:3	100-8584	2	Cover-Dust
☆2:4		2	Washer
☆2:5		2	Bolt
3	104-6818	4	Shoe & Lining Kit
4	104-6819	1	Hardware Kit
4:1	100-8583	2	Shoe Hold Down Spring ASM
4:2	100-8581	2	Spring-Upper
4:3	100-8582	2	Spring-Lower
☆4:4		2	Bolt & Washer
5	104-6824	1	Wheel Cylinder ASM
6	104-6826	1	RH Park Brake Lever ASM

Ref. No.	Part No.	Qty.	Description

☆ Not serviced separately

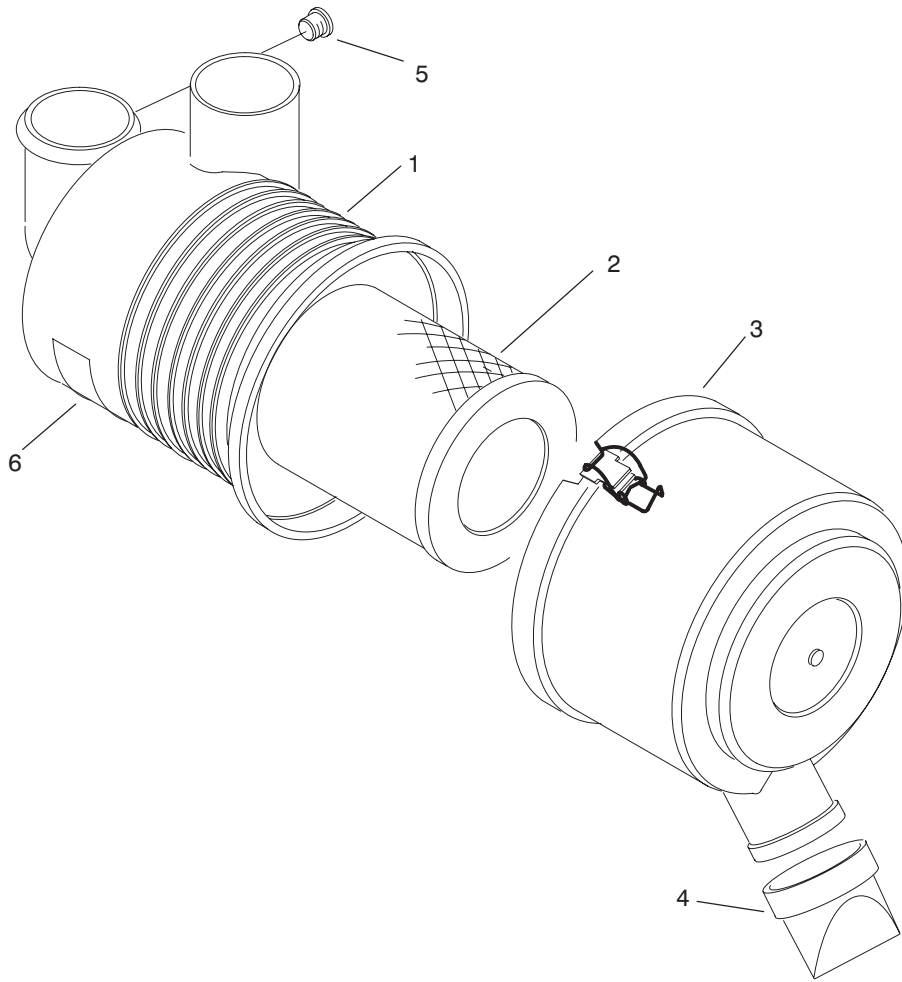


Sheet No.:10

Drivetrain Mount Assembly

Ref. No.	Part No.	Qty.	Description	Ref. No.	Part No.	Qty.	Description
1	104-8162	1	Battery	27	3255-8	2	Washer-Lock
3	99-7415	1	Cable-Negative	28	3218-2	2	Nut-Jam
4	99-7404	1	Cable-Positive	29	32149-8	2	Nut-Keps
5	3234-5	2	Screw	30	99-7406	1	Solenoid
6	99-7325	1	Cover-Electrical	31	80-9330	1	Alarm-Audio
7	99-7120	1	Filter-Air	31:1	104-5107	1	Nut-Plastic, Knurled
8	104-8301	6	Nut-Flange, NI	32	99-7230	1	Fitting-90 °
9	3234-24	4	Screw-HHF	33	99-7842	1	Hose-Breather
11	3256-35	2	Washer-Flat	34	99-7352	1	Decal-Information
12	95-2596	2	Mount-Iso	36	2412-36	2	Clamp-Hose
13	323-10	2	Screw-HH	37	92-5018	1	Clamp-Battery
14	2412-130	1	Clamp-Hose	38	95-4042	2	Hook-Retain, Battery
15	104-6528	1	Hose-Intake	39	104-7201	2	Nut-HF
16	104-8300	4	Nut-Flange, NI	40	104-7102	1	Pad-Battery
17	95-5806	1	Bracket-Mounting				
18	3234-17	2	Screw-HHF				
19	3296-2	5	Nut-Lock				
20	32128-32	2	Nut-HHF				
21	99-7051-03	1	Mount-Component				
22	3234-21	2	Screw-Cap				
23	99-7434	1	Harness-Wire, Main				
23:7	218-578	3	Fuse-10 Amp				
*23:8	100-4918	1	Diode				
24	32105-13	4	Screw-SHH				
25	104-6927	1	Regulator				
26	32105-1	1	Screw-SHH				

* Not illustrated



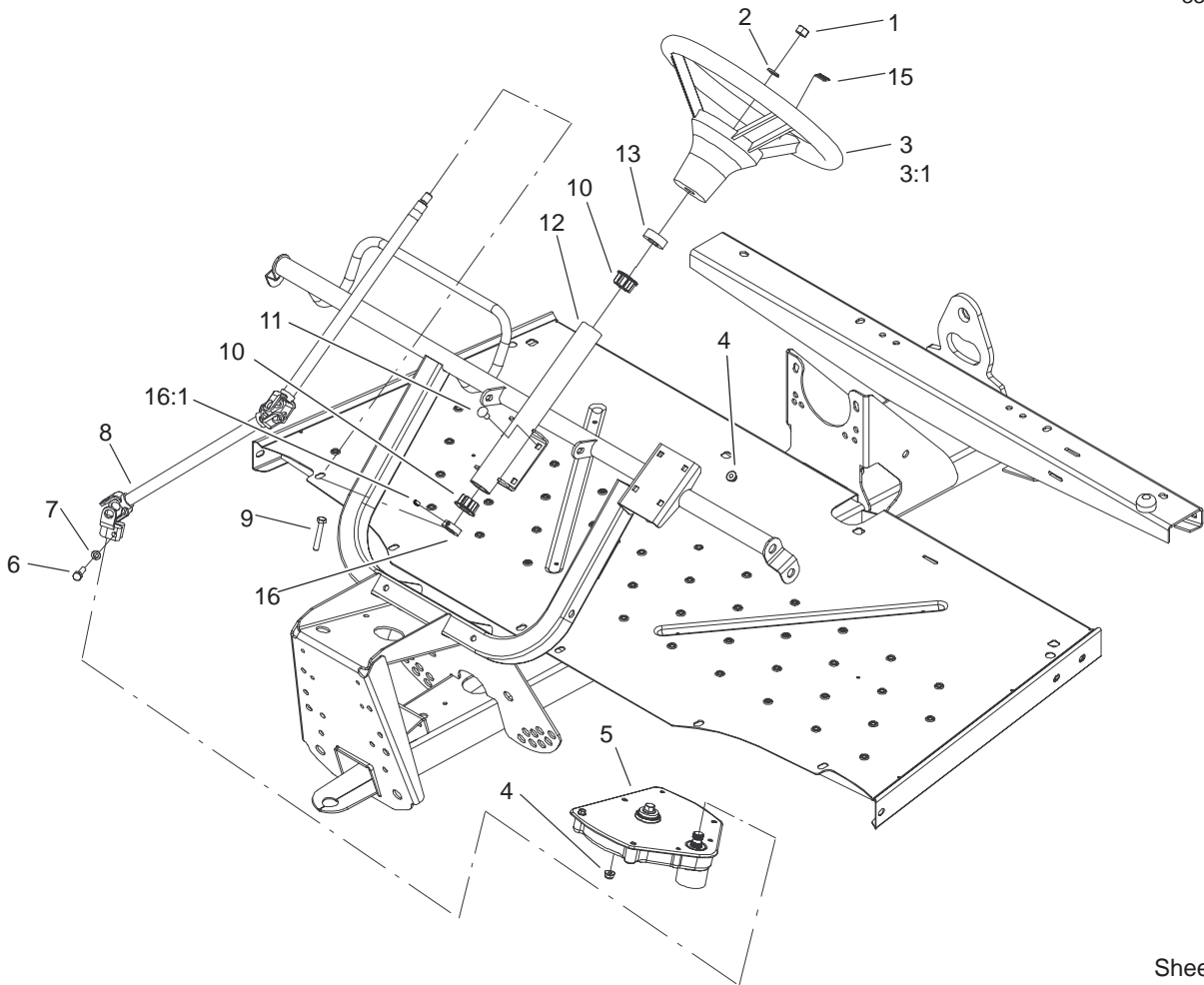
Sheet No.:A7
T-2201

Air Filter Assembly No. 99-7120

Ref. No.	Part No.	Qty.	Description
☆1		1	Body
2	93-2195	1	Filter
3	94-3652	1	Cover ASM
4	87-9400	1	Valve-V acuator
☆5		1	Plug
☆6		1	Marking

Ref. No.	Part No.	Qty.	Description

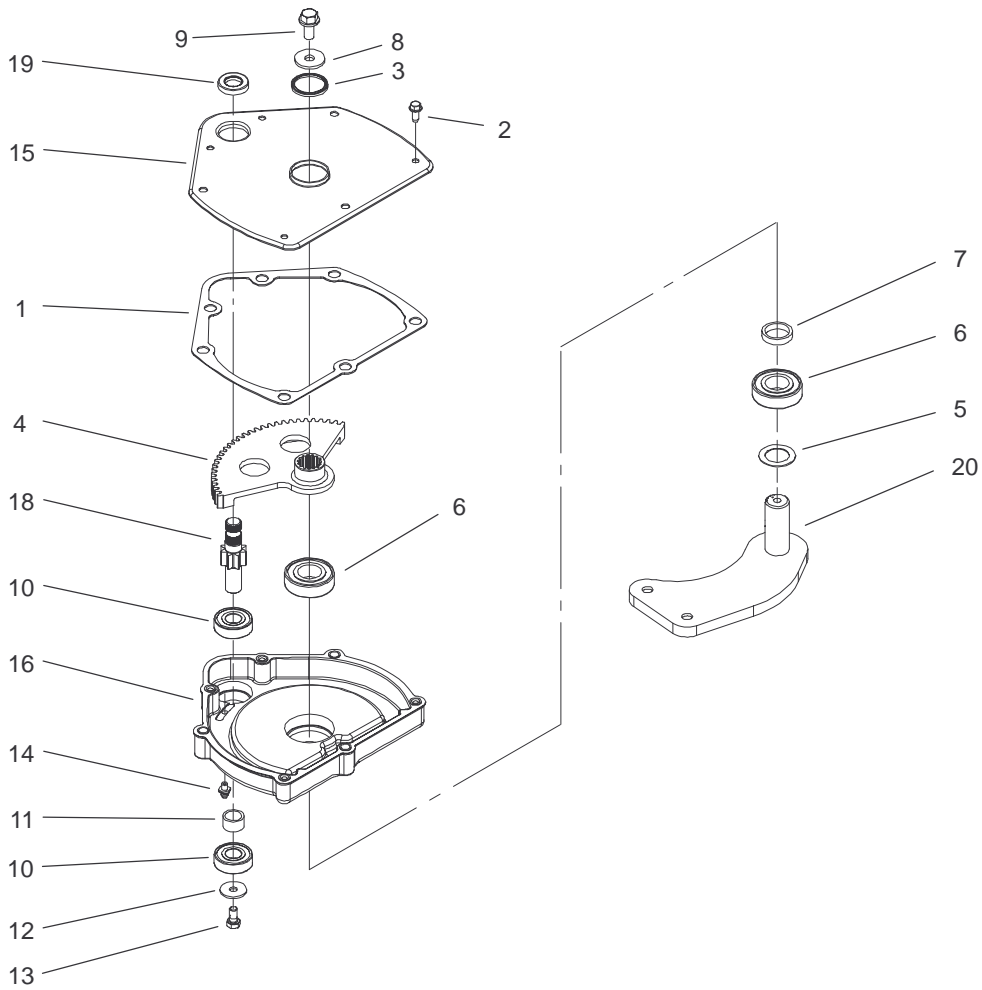
☆ Not serviced separately



Sheet No.:11

Upper Steering Assembly

Ref. No.	Part No.	Qty.	Description	Ref. No.	Part No.	Qty.	Description
1	3277-1	1	Nut-Hex				
2	48-8070	1	Washer-Lock				
3	98-1471	1	Wheel-Steering				
3:1	98-1468	1	Cover-Wheel, Steering				
4	104-8300	7	Nut-Flange, NI				
5	99-7660	1	Steering Gearbox ASM				
6	48-7730	1	Screw-HH				
7	3253-4	1	Washer-Lock				
8	99-7653	1	Shaft-Steering				
9	322-10	3	Screw-HH				
10	93-1 146	2	Bushing-Upper, Steering				
11	3230-1	4	Bolt-CARR				
12	99-7651-03	1	Column-Steering				
13	21-9260	1	Cover-Dust				
15	98-1459	1	Decal-Toro				
16	111383	1	Collar				
16:1	3245-32	1	Screw-HS				

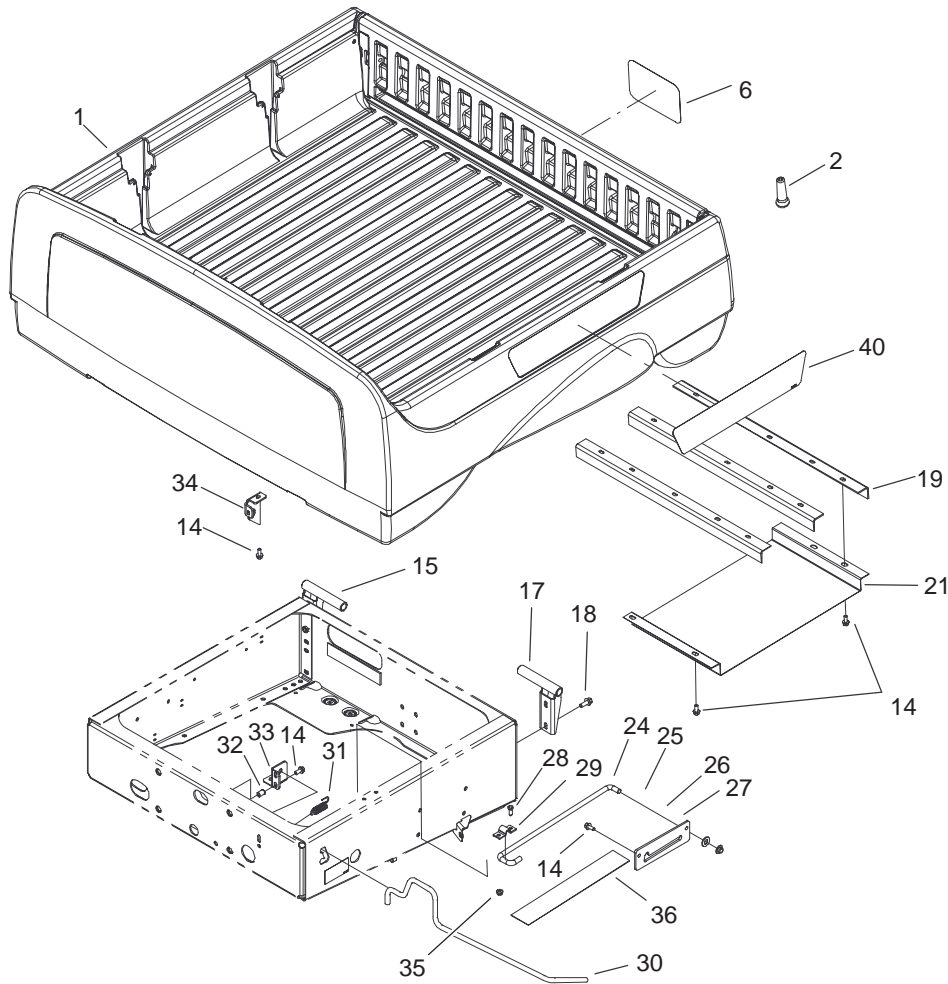


Sheet No.:A8

Steering Gearbox Assembly No. 99-7660

Ref. No.	Part No.	Qty.	Description
1	94-2135	1	Gasket
2	32144-10	4	Screw-HWH
3	103118	1	Seal
4	99-7843	1	Sector-Gear
5	3256-42	1	Washer-Flat
6	251-82	2	Bearing-Ball
7	94-2218	1	Spacer-Shaft, Output
8	104-6563	1	Washer-Stepped
9	104-7156	1	Screw-HHF
10	38-7820	2	Bearing-Ball
11	94-2217	1	Spacer-Shaft, Input
12	3256-82	1	Washer-Flat
13	98-3498	1	Screw-HH
14	302-5	1	Fitting-Grease
15	99-7656-03	1	Cover-Housing, Steering
16	99-7658	1	Housing-Steering
18	99-7650	1	Gear-Pinion
19	99-7657	1	Seal-Oil
20	99-7601-03	1	Arm-Pitman

Ref. No.	Part No.	Qty.	Description



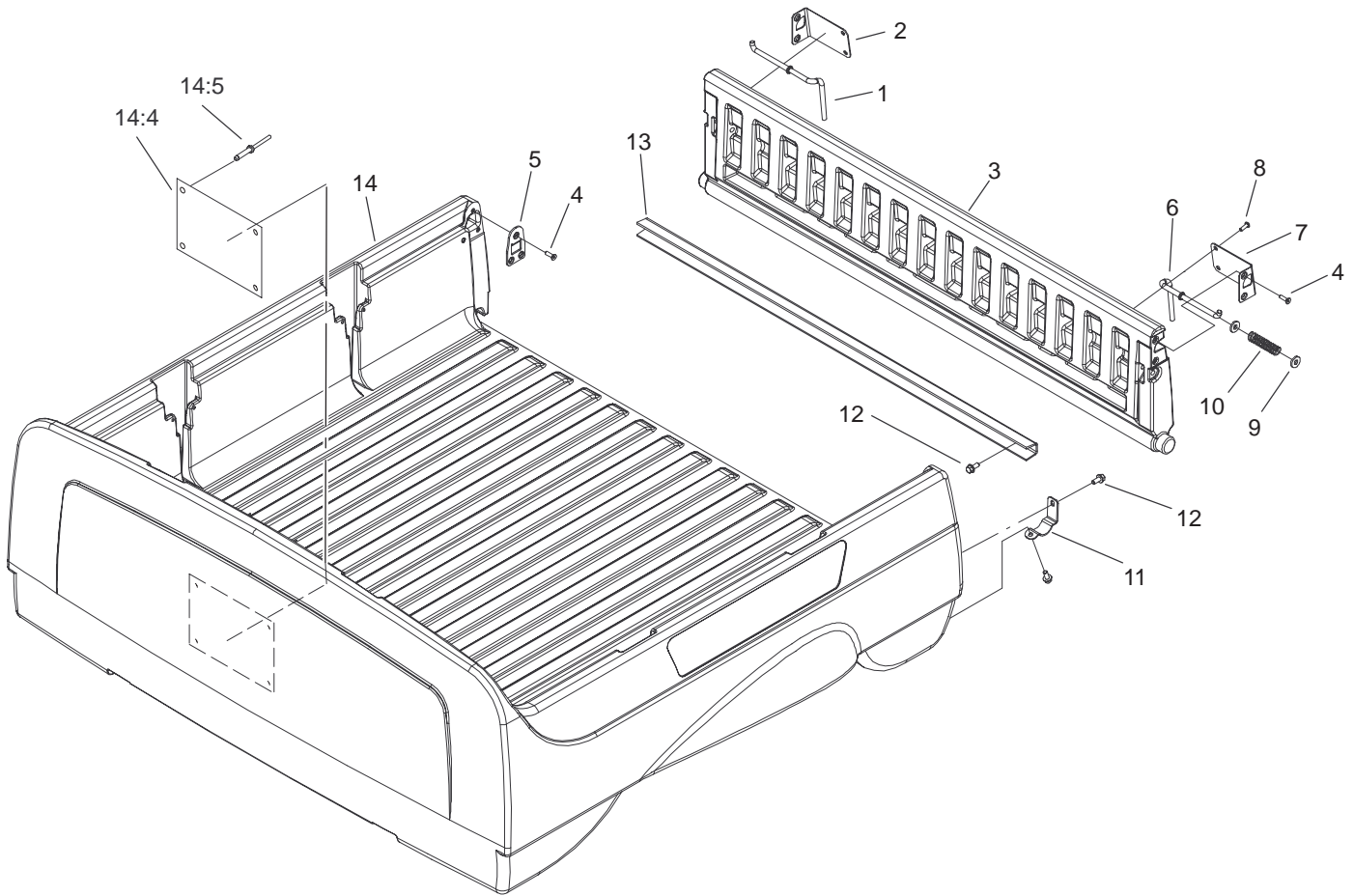
Sheet No.:12

Box and Tailgate Installation Assembly

Ref. No.	Part No.	Qty.	Description
☆1		1	Box And Tailgate ASM
2	99-7984	2	Knob-Soft Grip, Push-On
6	104-7213	1	Decal-Tailgate, Toro
14	3234-5	18	Screw
15	99-7309-03	1	RH Pivot Bracket ASM
17	99-7308-03	1	LH Pivot Bracket ASM
18	3234-1 1	4	Screw-HHF
19	99-7864-03	3	Brace-Box
21	99-7870	1	Shield-Heat
24	99-7895	1	Rod-Prop
25	99-7894	1	Bracket-Rod, Prop
26	3256-26	1	Washer-Flat
27	32112-14	1	Nut-Push
28	3234-17	2	Screw-HHF
29	99-7896	1	Bracket-U, Prop Rod
30	99-7745	1	Rod-Latch
31	5-7290	1	Spring
32	32148-7	2	Insert-Nut
33	99-7744-03	1	Bracket-Latch
34	99-7742-03	1	Hook-Latch, RH
35	104-8300	1	Nut-Flange, NI
36	104-6859	1	Shield-Heat
40	104-7265	2	Decal-Bed, Workman

Ref. No.	Part No.	Qty.	Description

☆ Not serviced separately

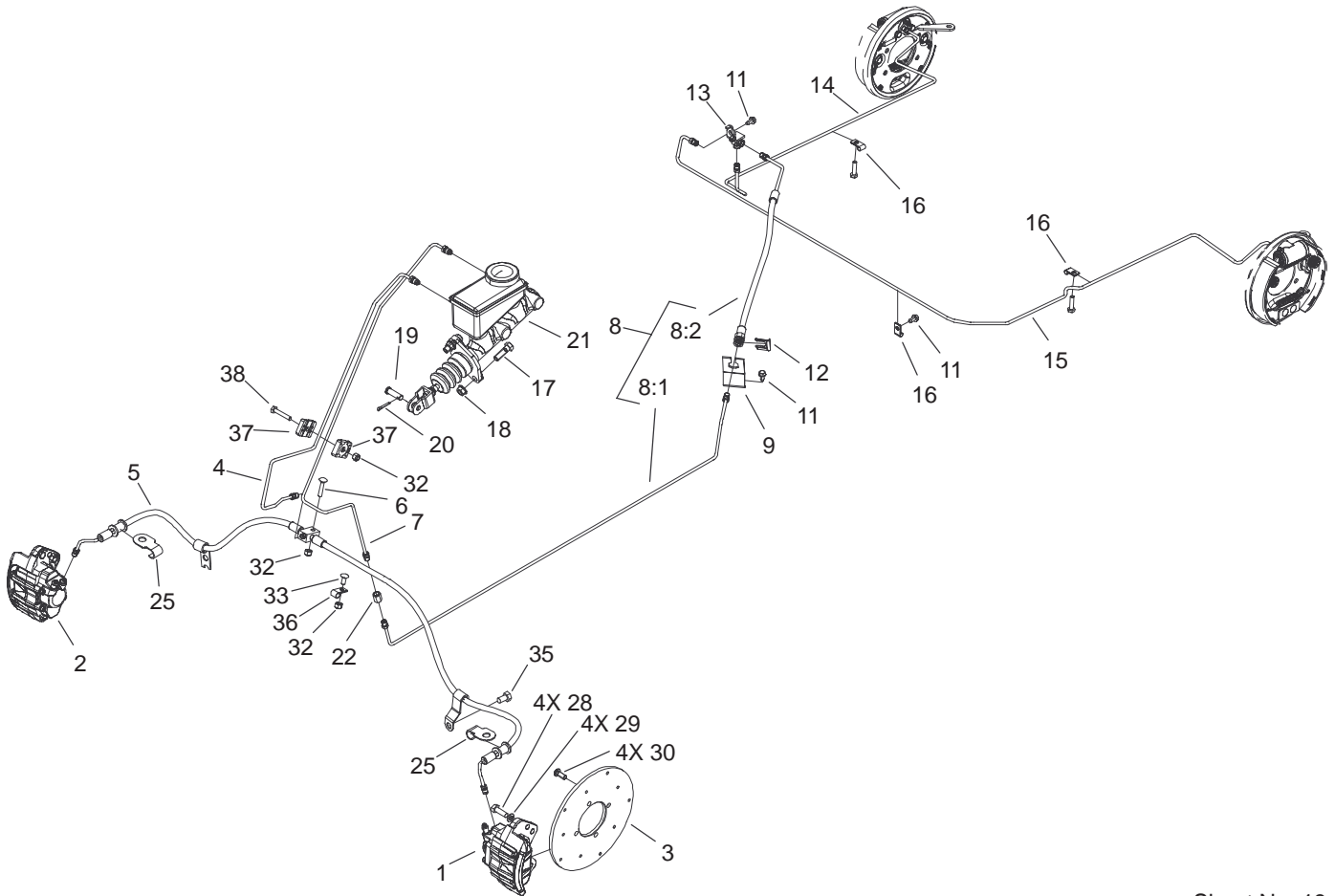


Sheet No.:A9

Box and Tailgate Assembly

Ref. No.	Part No.	Qty.	Description
1	99-7860	1	Rod-Latch, Right
2	99-7858	1	Bracket-Tailgate Latch, Right
3	99-7893	1	Tailgate ASM
4	99-7334	10	Screw
5	99-7852	2	Plate-Striker
6	99-7859	1	Rod-Latch, Left
7	99-7857	1	Bracket-Tailgate Latch, Left
8	99-7335	4	Screw
9	99-7861	4	Washer-Latch
10	61-8880	2	Spring
11	99-7286	2	Bracket-Pivot, Tailgate
12	3234-5	10	Screw
13	99-7867	1	Channel-Tailgate
14	104-7203	1	Box ASM
14:4	99-7954	1	Decal-Plate, No Riders
14:5	3290-415	4	Rivet

Ref. No.	Part No.	Qty.	Description

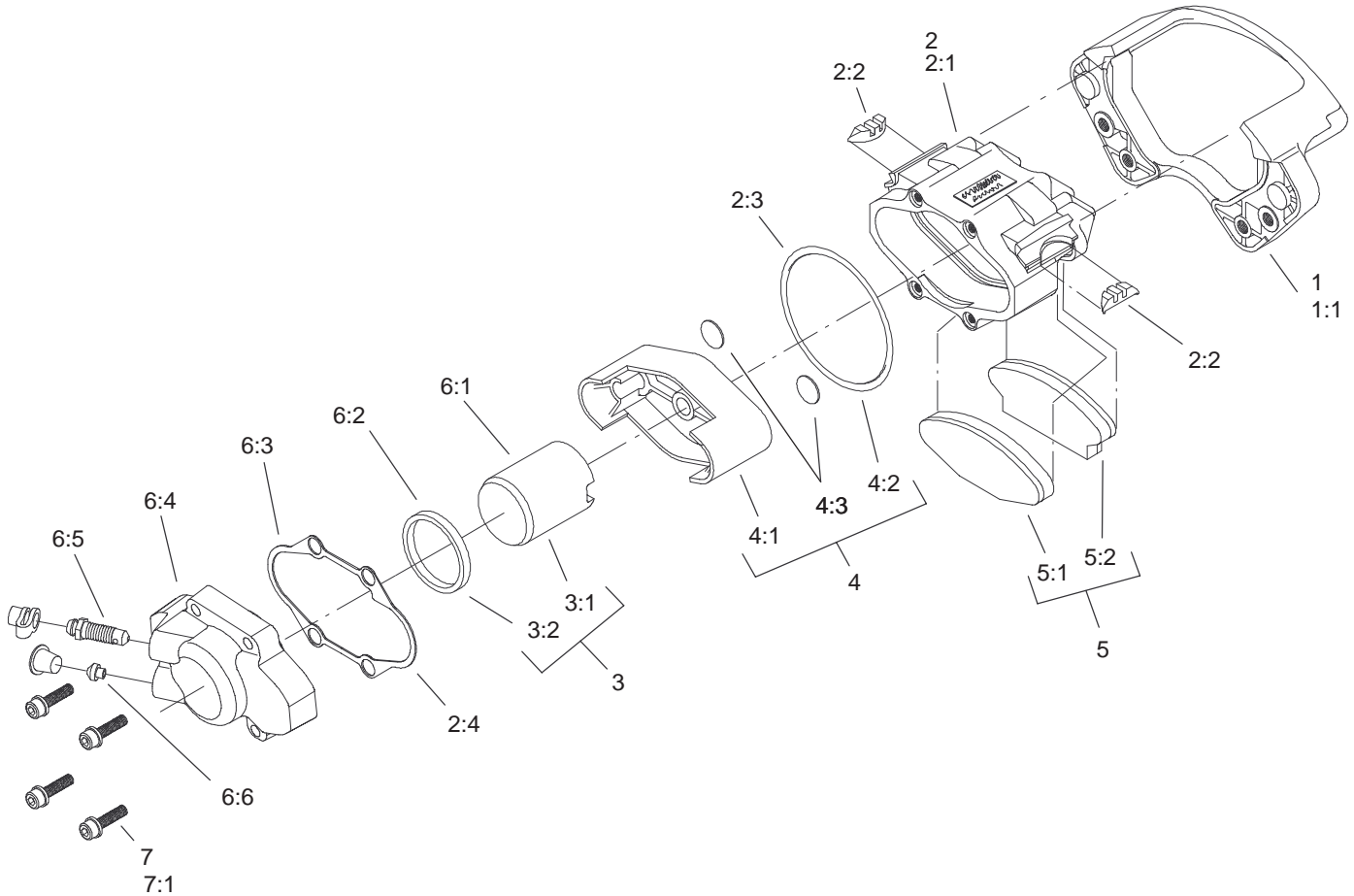


Sheet No.:18

Hydraulic Brake Assembly

Ref. No.	Part No.	Qty.	Description
1	104-6801	1	Caliper-LH
2	104-6802	1	Caliper-RH
3	104-6891	2	Rotor
4	104-6798	1	Tube-Front, Brake
5	104-7157	1	Hose ASM - Frt
6	3229-3	1	Screw-CARR
7	104-6793	1	Tube-Brake, Rear
8		1	Complete Rear Brake Hose ASM
8:1	104-6794	1	Tube-Brake, Rear
8:2	104-6795	1	Hose-Brake, Rear
9	104-6799	1	Bracket-Hose, Brake
11	12-3270	3	Screw
12	104-7092	1	Clip
13	87-3560	1	Tee
14	104-6796	1	Tube-Brake Rear, RH
15	104-6797	1	Tube-Brake Rear, LH
16	2412-72	3	Clip-Closed, Insulated
17	323-6	2	Screw-HH
18	3290-357	2	Nut-HHF
19	283-2	1	Pin-Clevis
20	3272-10	1	Pin-Cotter
21	104-6782	1	Cylinder-Master
22	87-3570	1	Union
25	104-7073	2	Bracket-Hose
28	33114-025	8	Screw-HH

Ref. No.	Part No.	Qty.	Description
29	3253-4	8	Washer-Lock
30	3274-55	8	Screw-HSBH
32	3296-42	3	Nut-Lock, NI
33	3229-1 1	1	Screw-CARR
35	32144-14	2	Screw-HWH
36	2412-89	1	Clamp
37	87-7660	2	Clamp-Tube
38	321-9	1	Screw-HH



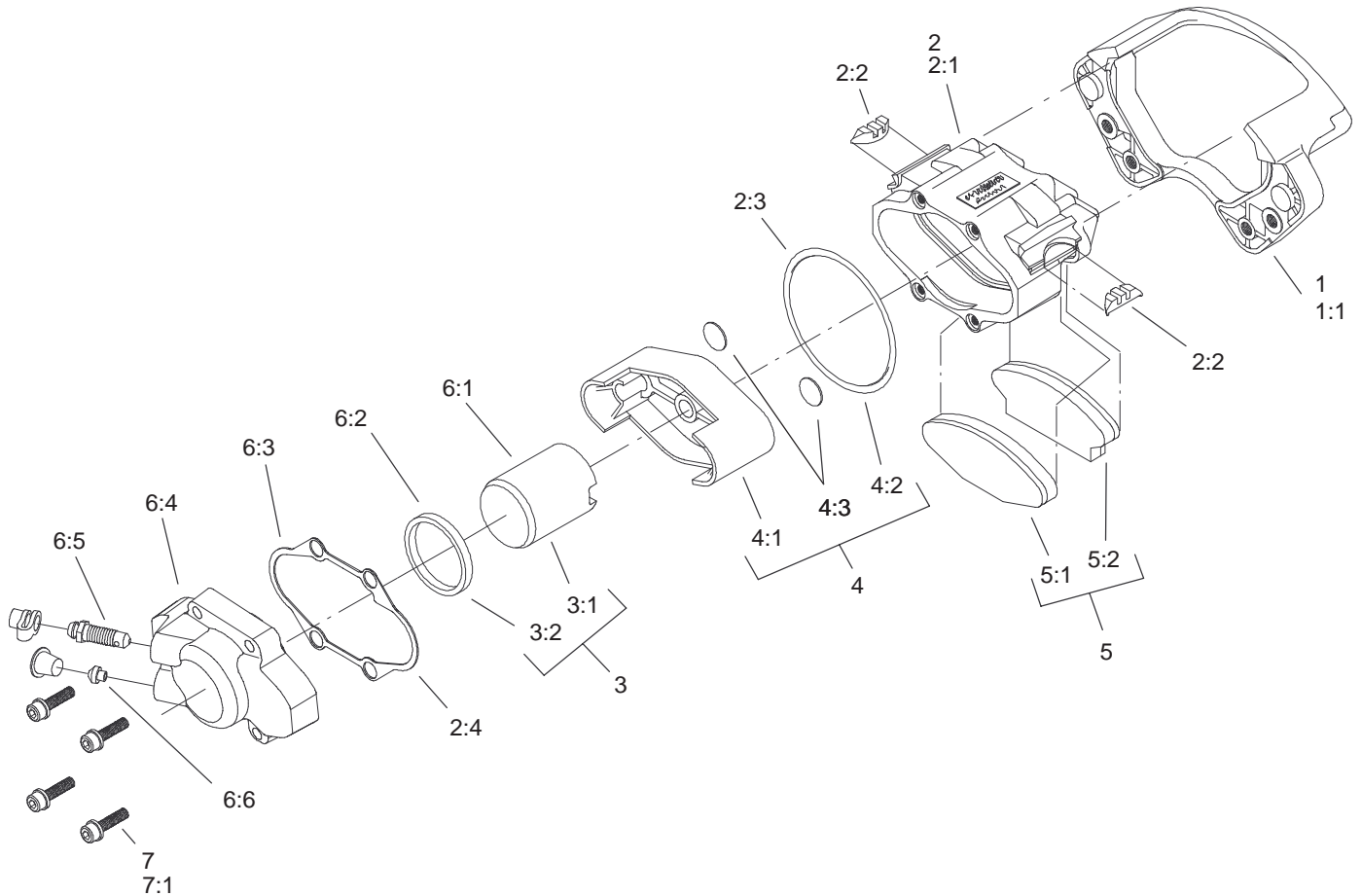
Sheet No.:B1

Left Hand Caliper Assembly No. 104-6801

Ref. No.	Part No.	Qty.	Description
1	105-9311	1	Bracket Kit
☆1:1		1	Bracket
2	105-9312	1	Housing Kit
☆2:1		1	Housing
☆2:2		2	Spring-Rubber
☆2:3		1	O-Ring
☆2:4		1	Gasket
3	105-9313	1	Piston & Seal Kit
☆3:1		1	Piston-Round
☆3:2		1	Seal-Square
4	105-9314	1	Piston & O-Ring Kit
☆4:1		1	Piston-Oval
☆4:2		1	O-Ring
☆4:3		2	Plug-Piston
5	105-9315	1	Pad Kit
☆5:1		2	Pad/Holder ASM
☆5:2		2	Pad/Holder ASM
6	105-9317	1	LH Piston & Cover ASM Kit
☆6:1		1	Piston-Round
☆6:2		1	Seal-Square
☆6:3		1	Gasket
☆6:4		1	Cover
☆6:5		1	Screw-Bleeder
☆6:6		1	Insert-Seat

Ref. No.	Part No.	Qty.	Description
7	105-9318	1	Bolt Kit
☆7:1		4	Screw-Cover

☆ Not serviced separately



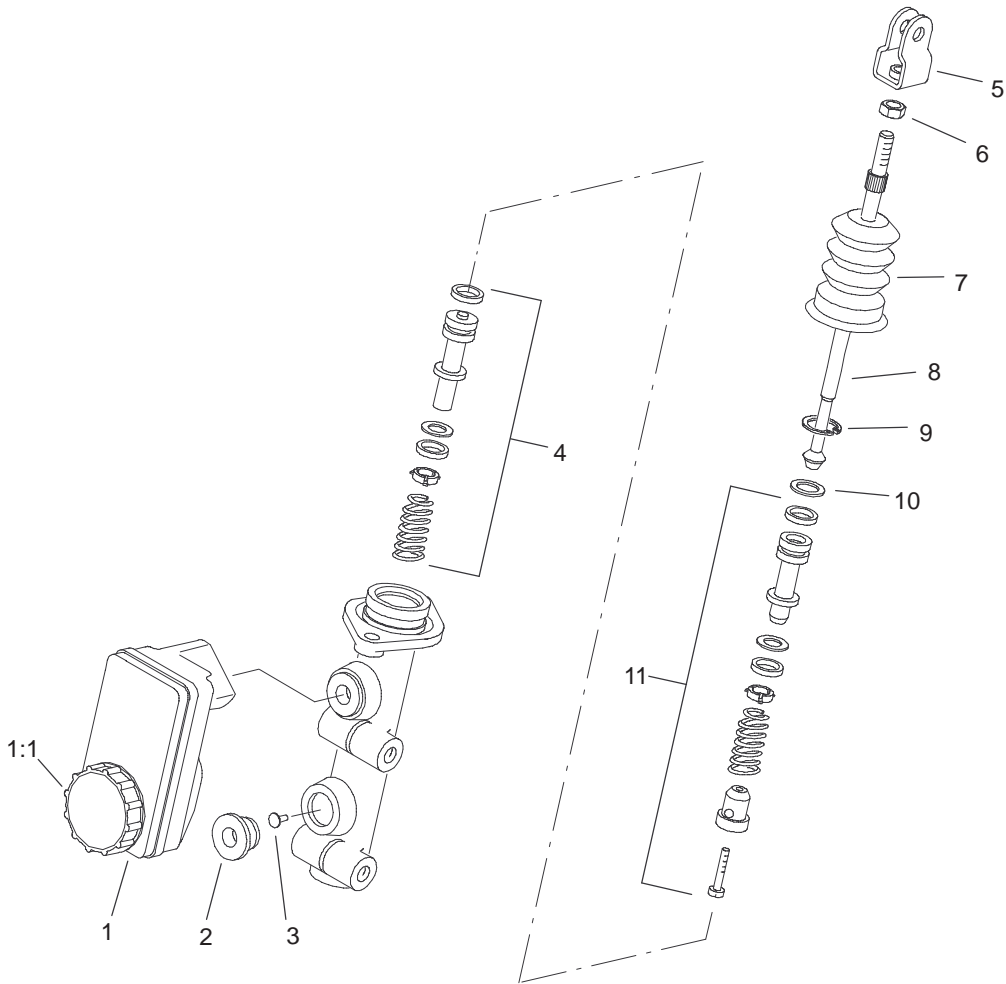
Sheet No.:B2

Right Hand Caliper Assembly No. 104-6802

Ref. No.	Part No.	Qty.	Description
1	105-9311	1	Bracket Kit
☆1:1		1	Bracket
2	105-9312	1	Housing Kit
☆2:1		1	Housing
☆2:2		2	Spring-Rubber
☆2:3		1	O-Ring
☆2:4		1	Gasket
3	105-9313	1	Piston & Seal Kit
☆3:1		1	Piston-Round
☆3:2		1	Seal-Square
4	105-9314	1	Piston & O-Ring Kit
☆4:1		1	Piston-Oval
☆4:2		1	O-Ring
☆4:3		2	Plug-Piston
5	105-9315	1	Pad Kit
☆5:1		2	Pad/Holder ASM
☆5:2		2	Pad/Holder ASM
6	105-9316	1	RH Piston & Cover ASM Kit
☆6:1		1	Piston-Round
☆6:2		1	Seal-Square
☆6:3		1	Gasket
☆6:4		1	Cover
☆6:5		1	Screw-Bleeder
☆6:6		1	Insert-Seat

Ref. No.	Part No.	Qty.	Description
7	105-9318	1	Bolt Kit
☆7:1		4	Screw-Cover

☆ Not serviced separately



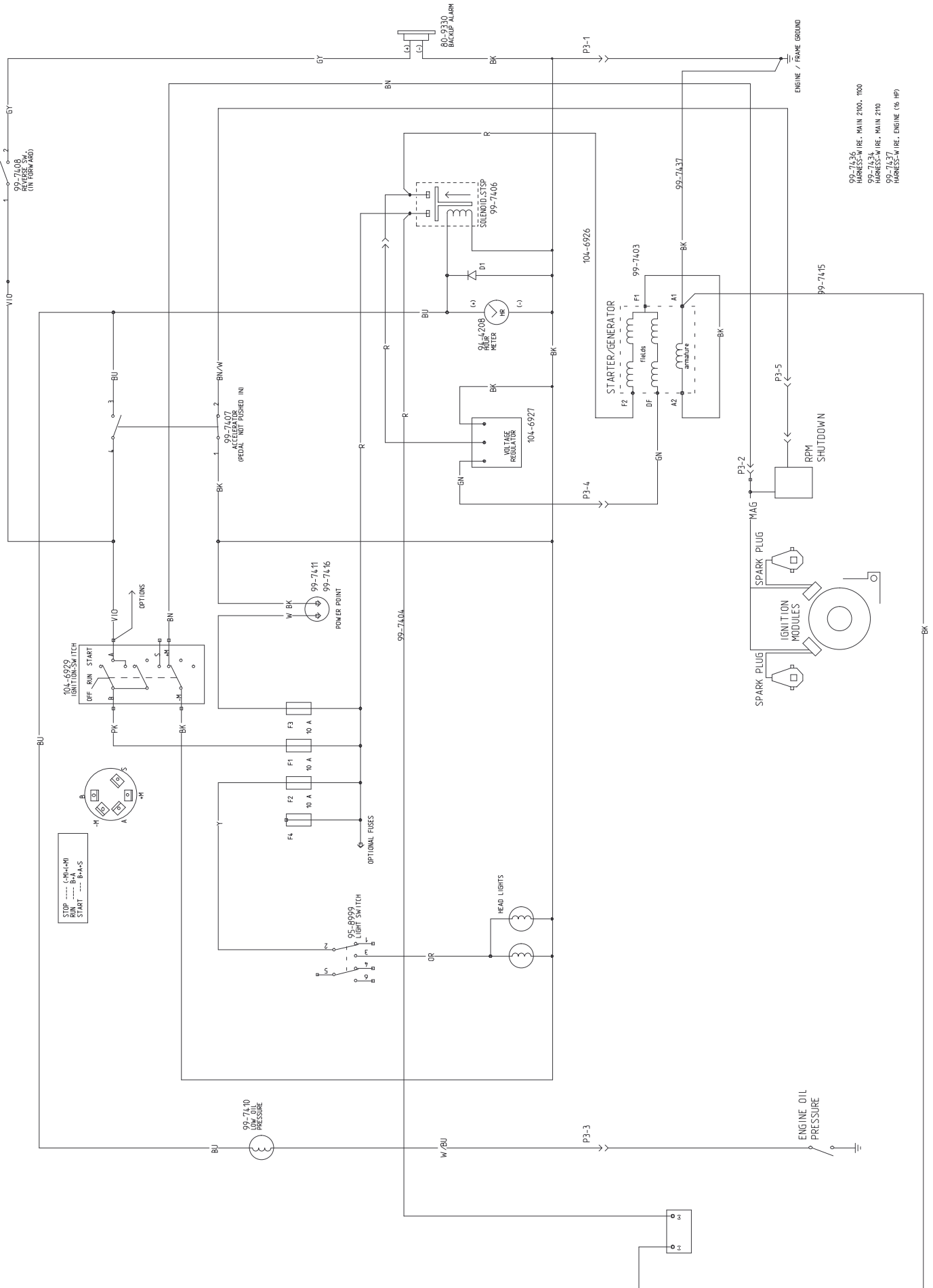
Sheet No.:B3

Master Cylinder Assembly No. 104-6782

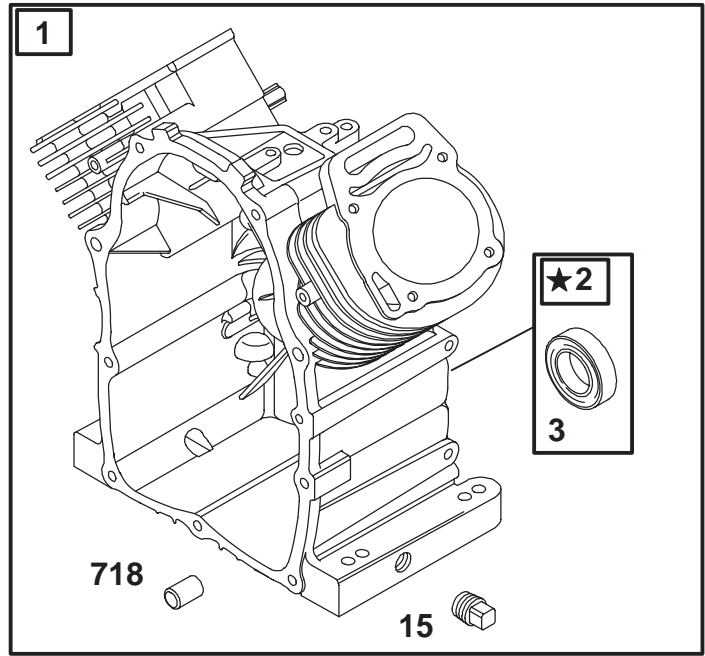
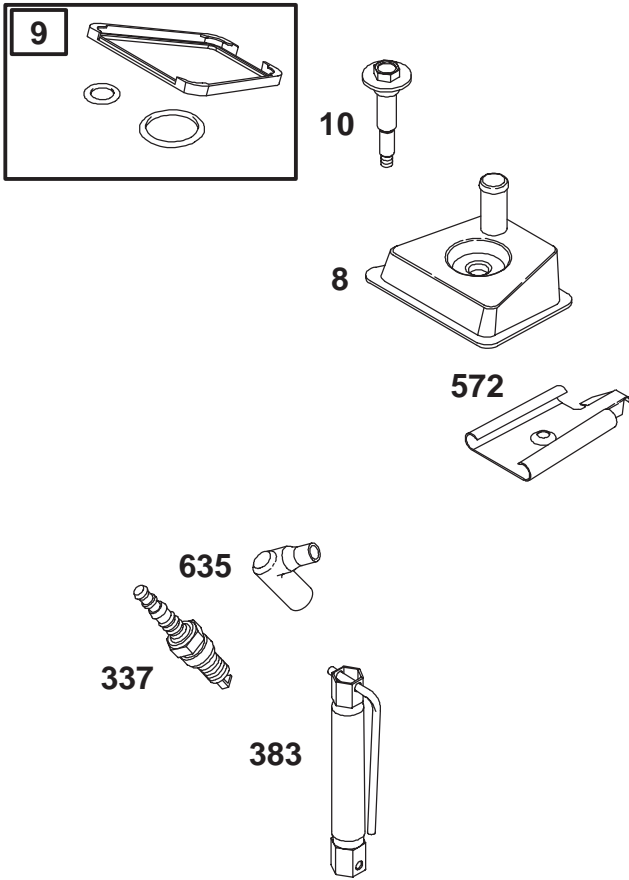
Ref. No.	Part No.	Qty.	Description
1	104-6845	1	Reservoir ASM
1:1	92-41 12	1	Cap ASM
2	93-8971	2	Seal-Port, Flange
3	92-4103	1	Pin-Stop
4	92-4102	1	Secondary Piston ASM
5	92-41 10	1	Clevis
6	21-0360	1	Nut-Hex
7	94-5209	1	Cover-Dust
8	94-5210	1	Rod-Push
9	92-4109	1	Circlip
10	92-4108	1	Retainer-Washer
11	92-4101	1	Primary Piston ASM

Ref. No.	Part No.	Qty.	Description

Electrical Schematic



99-7126
HARNES-W (RE. MAIN 2100, 1800)
99-7134
HARNES-W (RE. MAIN 2110)
99-7437
HARNES-W (RE. ENGINE (16 HP))



1019 LABEL KIT

Assemblies include all parts shown in frames.

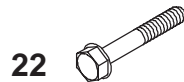
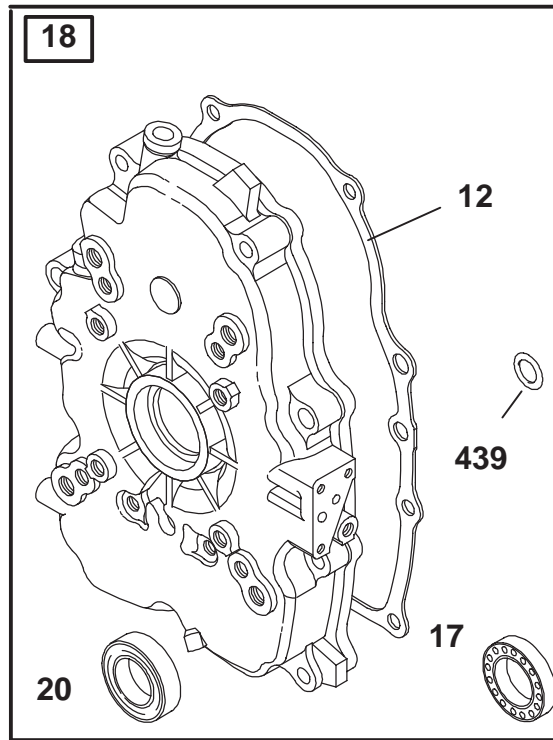
Cylinder Assembly Briggs and Stratton Engine 303440-1320-E1

Ref. No.	Part No.	Qty.	Description
1	692178	1	Cylinder Assembly
2	808534	1	Kit-Bushing/Seal (Magneto Side)
★3	805101	1	Seal-Oil (Magneto Side)
8	808984	1	Breather Assembly
★9	809094	1	Gasket-Breather
10	690751	1	Screw (Breather Assembly)
15	690946	1	Plug-Oil Drain
337	496018	1	Plug-Spark
383	19374	1	Wrench-Spark Plug
572	690686	1	Baffle-Breather
635	692076	1	Boot-Spark Plug
718	690684	1	Pin-Locating
1019	808036	1	Kit-Label

Ref. No.	Part No.	Qty.	Description

★ Included in Engine Gasket Set-Ref. 358.

Obtain Parts from Briggs and Stratton



Assemblies include all parts shown in frames.

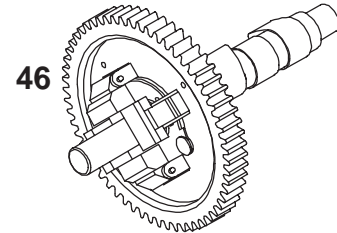
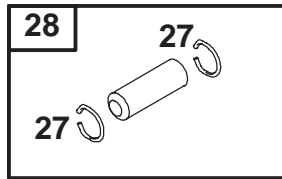
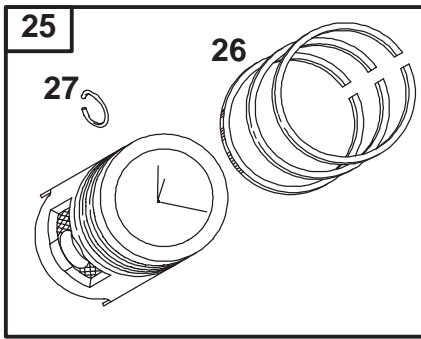
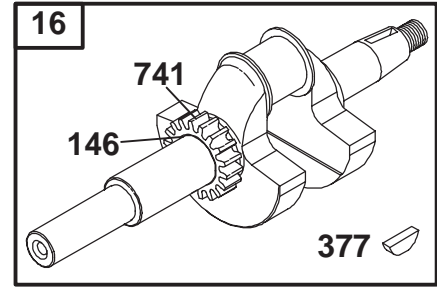
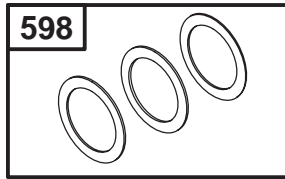
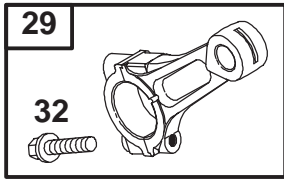
Crankcase Assembly Briggs and Stratton Engine 303440-1320-E1

Ref. No.	Part No.	Qty.	Description
★12	691684	1	Gasket-Crankcase
17	690752	1	Bearing-Ball
18	808508	1	Cover-Crankcase
★20	805049	1	Seal-Oil (PTO Side)
22	692540	1	Screw (Crankcase Cover)
★439	692154	1	Seal-O Ring (Crankcase Cover)

Ref. No.	Part No.	Qty.	Description

★ Included in Engine Gasket Set-Ref. 358.

Obtain Parts from Briggs and Stratton



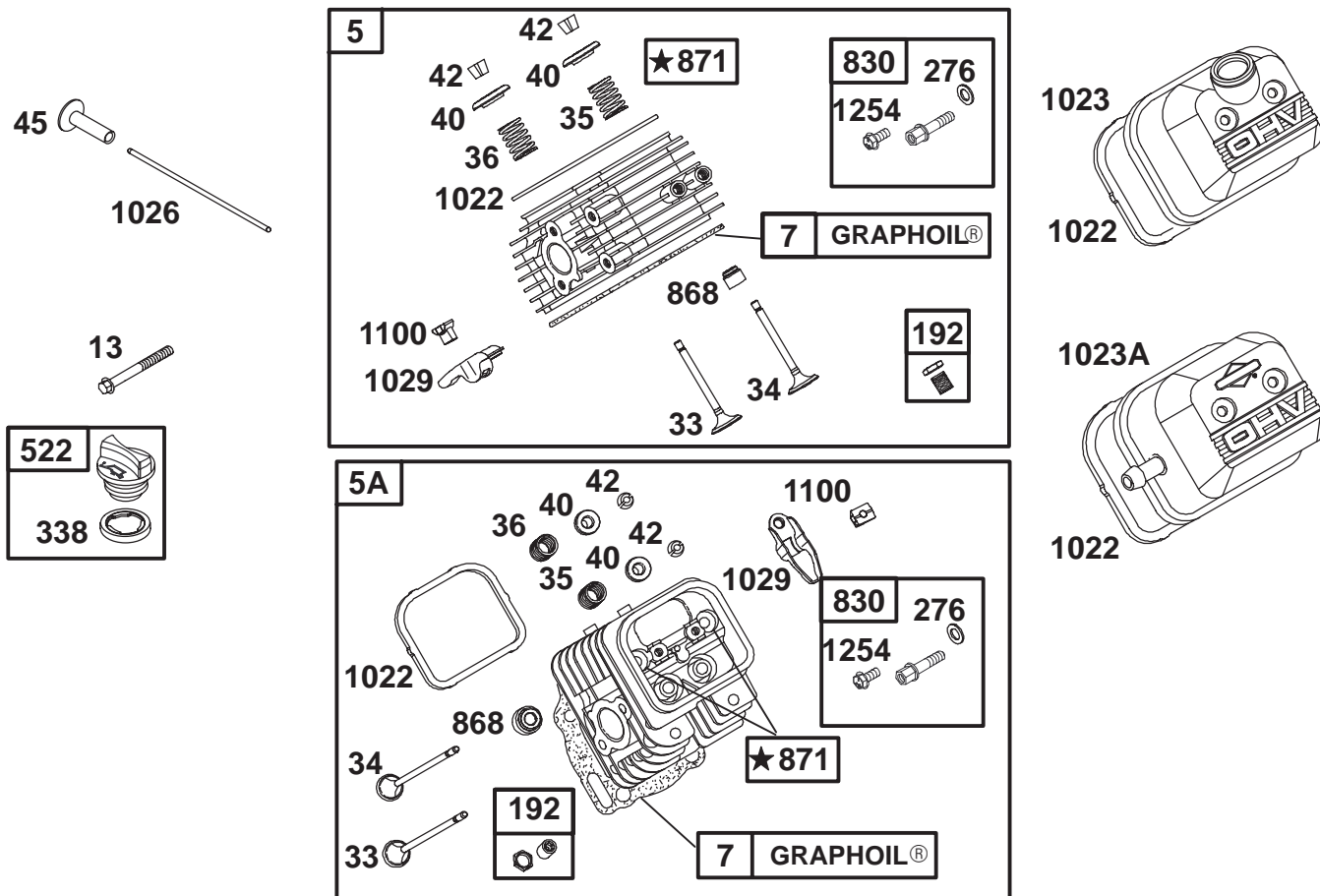
Assemblies include all parts shown in frames.

Crankshaft Assembly Briggs and Stratton Engine 303440-1320-E1

Ref. No.	Part No.	Qty.	Description
16	692163	1	Crankshaft
25	807619	1	Piston Assembly (Standard)
	807807	1	Piston Assembly (.010" Oversize)
	807809	1	Piston Assembly (.020" Oversize)
	807811	1	Piston Assembly (.030" Oversize)
26	807620	1	Ring Set (Standard)
	807808	1	Ring Set (.010" Oversize)
	807810	1	Ring Set (.020" Oversize)
	807812	1	Ring Set (.030" Oversize)
27	690683	1	Lock-Piston Pin
28	807621	1	Pin-Piston
29	807900	1	Rod-Connecting (Standard)
	807809	1	Rod-Connecting (.020" Undersize)

Ref. No.	Part No.	Qty.	Description
32	690698	1	Screw (Connecting Rod)
46	692157	1	Camshaft
146	691639	1	Key-Timing
377	808095	1	Key-Woodruff
598	807625	1	Shim-End Play
741	691530	1	Gear-Timing

Obtain Parts from Briggs and Stratton



Assemblies include all parts shown in frames.

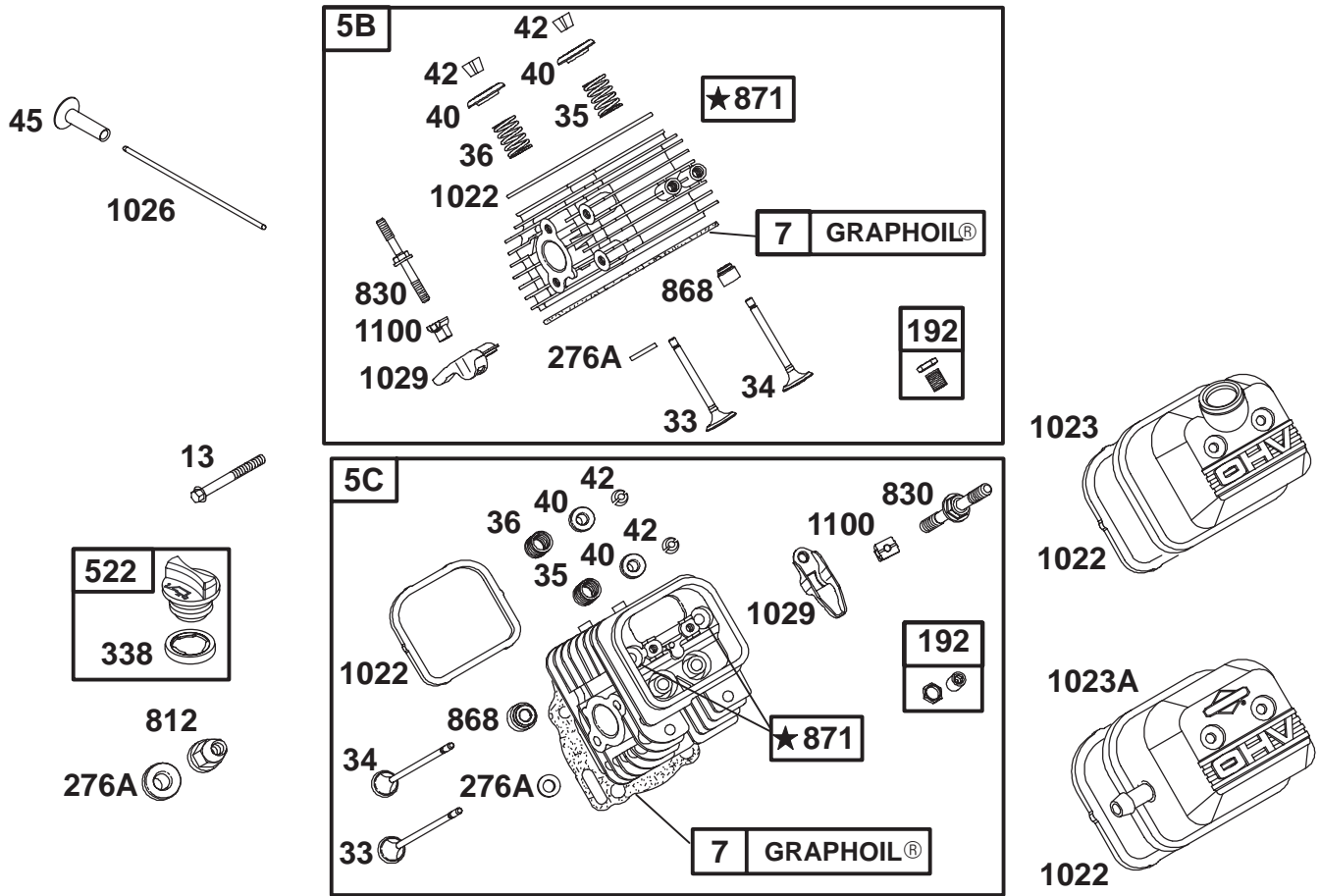
Cylinder Head Assembly Briggs and Stratton Engine 303440-1320-E1

Ref. No.	Part No.	Qty.	Description
5	809200	1	Head-Cylinder (Cylinder 1) (Used After Code Date 01120200)
5A	809201	1	Head-Cylinder (Cylinder 2) (Used After Code Date 01120200)
★Δ7	806085	1	Gasket-Cylinder Head
13	692059	1	Screw (Cylinder Head)
33	807681	1	Valve-Exhaust
34	807680	1	Valve-Intake
35	692084	1	Spring-V valve (Intake)
36	692084	1	Spring-V valve (Exhaust)
40	692058	1	Retainer-V valve
42	807683	1	Keeper-V valve
45	690977	1	Tappet-V valve
192	807623	1	Adjuster-Rocker Arm
276	807085	1	Washer-Sealing (Used After Code Date 01120200)

Ref. No.	Part No.	Qty.	Description
★Δ338	691312	1	Gasket-Dipstick
522	491832	1	Plug-Dipstick/Fill
830	809157	1	Stud-Rocker Arm (Used After Code Date 01120200)
★Δ868	691963	1	Seal-V valve
★871	692057	1	Bushing-V valve Guide
★Δ1022	806039	1	Gasket-Rocker Cover
1023	690758	1	Cover-V valve
1023A	691558	1	Cover-V valve
1026	691836	1	Rod-Push (Intake)
	691758	1	Rod-Push (Exhaust)
1029	691543	1	Arm-Rocker
1100	690973	1	Pivot-Rocker Arm
1254	807084	1	Screw (Rocker Arm Stud) (Used After Code Date 01120200)

Δ Included in Valve Gasket Set-Ref. 1095.
★ Included in Engine Gasket Set-Ref. 358.

Obtain Parts from Briggs and Stratton



Assemblies include all parts shown in frames.

Cylinder Head Assembly Briggs and Stratton Engine 303440-1320-E1

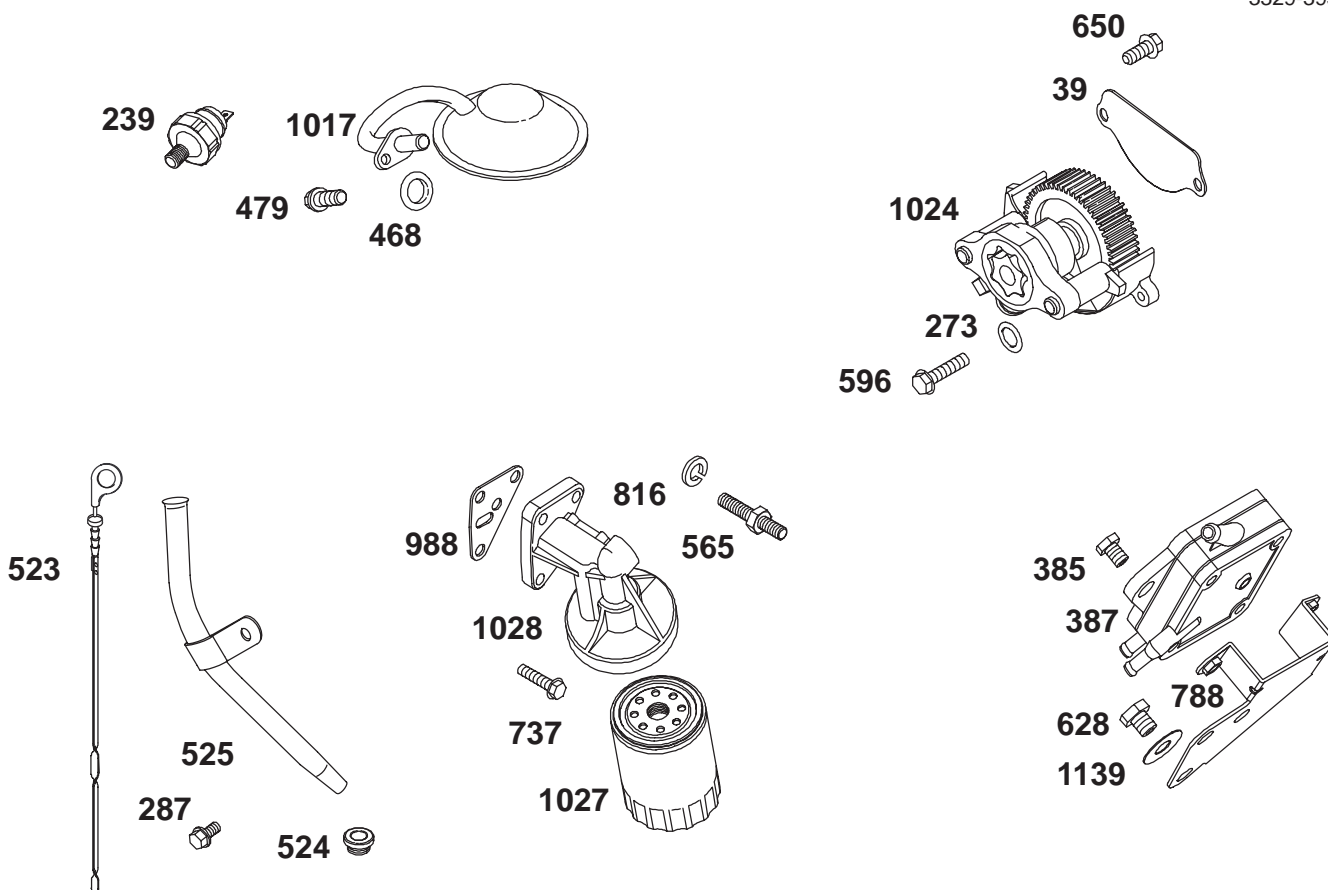
Ref. No.	Part No.	Qty.	Description
5B	808381	1	Head-Cylinder (Cylinder 1) (Used Before Code Date 01120300)
5C	808382	1	Head-Cylinder (Cylinder 2) (Used Before Code Date 01120300)
★Δ7	806085	1	Gasket-Cylinder Head
13	692059	1	Screw (Cylinder Head)
33	807681	1	Valve-Exhaust
34	807680	1	Valve-Intake
35	692084	1	Spring-V valve (Intake)
36	692084	1	Spring-V valve (Exhaust)
40	692058	1	Retainer-V valve
42	807683	1	Keeper-V valve
45	690977	1	Tappet-V valve
192	807623	1	Adjuster-Rocker Arm
★Δ276A	691766	1	Washer-Sealing (Used Before Code Date 01120300)

Ref. No.	Part No.	Qty.	Description
★Δ338	691312	1	Gasket-Dipstick
522	491832	1	Plug-Dipstick/Fill
812	692055	1	Nut (Rocker Cover) (Used Before Code Date 01120300)
830	691544	1	Stud-Rocker Arm (Used Before Code Date 01120300)
★Δ868	691963	1	Seal-V valve
★871	692057	1	Bushing-V valve Guide
★Δ1022	806039	1	Gasket-Rocker Cover
1023	690758	1	Cover-V valve
1023A	691558	1	Cover-V valve
1026	691836	1	Rod-Push (Intake)
	691758	1	Rod-Push (Exhaust)
1029	691543	1	Arm-Rocker
1100	690973	1	Pivot-Rocker Arm

Δ Included in Valve Gasket Set-Ref. 1095.

★ Included in Engine Gasket Set-Ref. 358.

Obtain Parts from Briggs and Stratton



Assemblies include all parts shown in frames.

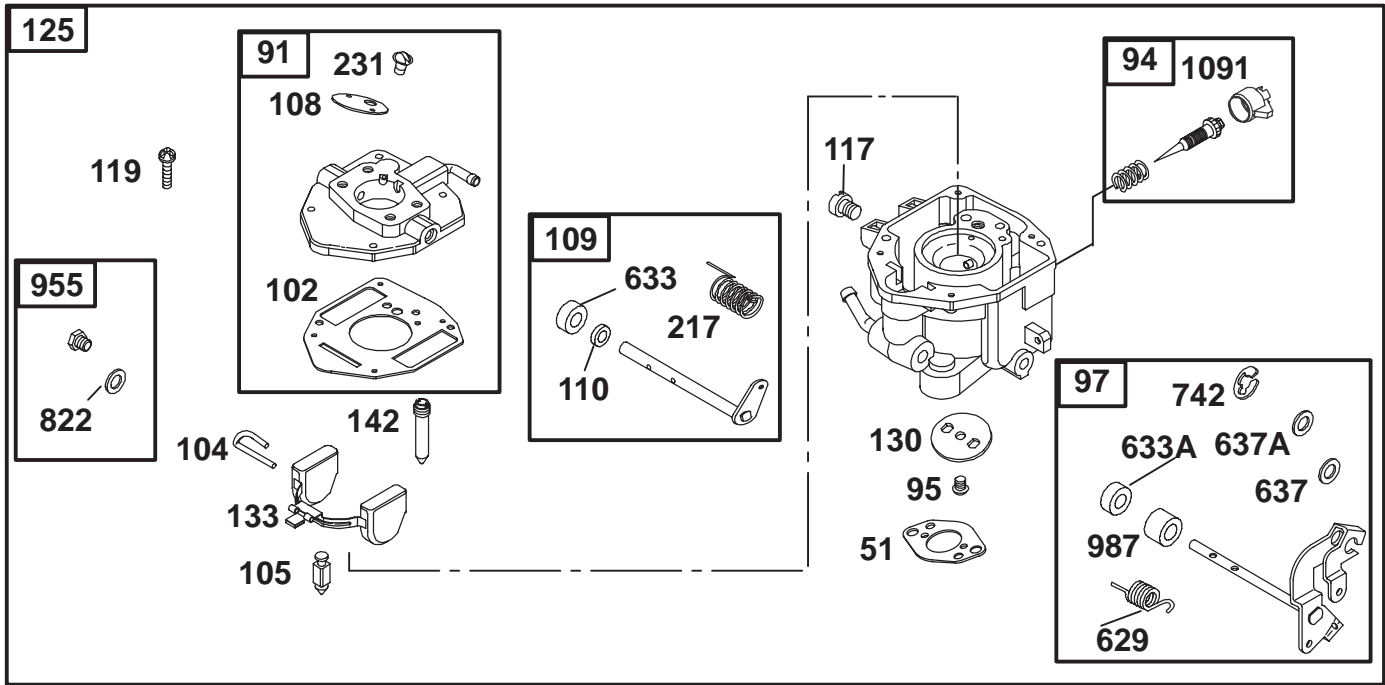
Oil Filter, Tube and Pump Assembly Briggs and Stratton Engine 303440-1320-E1

Ref. No.	Part No.	Qty.	Description
39	690745	1	Deflector-Oil
239	690233	1	Switch-Oil Pressure
273	690681	1	Seal-O Ring (Oil Pump)
287	692062	1	Screw (Dipstick Tube)
385	807084	1	Screw (Fuel Pump)
387	808656	1	Pump-Fuel
★468	690690	1	Seal-O Ring (Oil Pump Screen)
479	692537	1	Screw (Oil Pump Screen)
523	693175	1	Dipstick
★524	693172	1	Seal-Dipstick Tube
525	693173	1	Tube-Dipstick
565	690682	1	Stud (Oil Filter Adapter)
596	691492	1	Screw (Oil Pump)
628	806660	1	Screw (Fuel Pump Bracket)
650	692539	1	Screw (Oil Deflector)

Ref. No.	Part No.	Qty.	Description
737	690679	1	Screw (Oil Filter Adapter)
788	691559	1	Bracket-Fuel Pump
816	690706	1	Washer (Oil Filter Adapter)
★988	692063	1	Gasket-Oil Filter Adapter
1017	690900	1	Screen-Oil Pump
1024	693185	1	Pump-Oil
1027	492932	1	Filter-Oil
1028	808235	1	Adapter-Oil Filter
1139	806497	1	Washer (Fuel Pump Bracket)

★ Included in Engine Gasket Set-Ref. 358.

Obtain Parts from Briggs and Stratton



Assemblies include all parts shown in frames.

Carburetor Assembly Briggs and Stratton Engine 303440-1320-E1

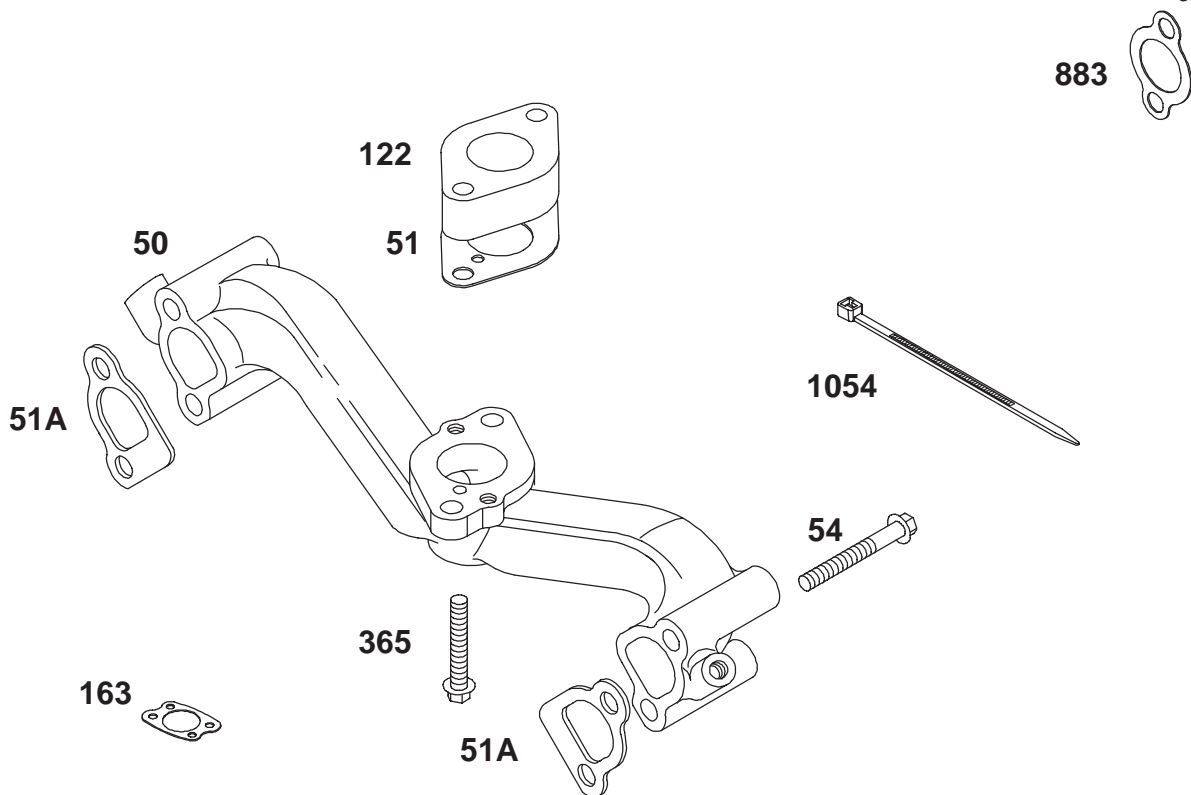
Ref. No.	Part No.	Qty.	Description
★●51	691694	1	Gasket-Intake
91	808964	1	Body-Upper Carb.
●94	808257	1	Kit-Idle Mixture
95	690718	1	Screw (Throttle Valve)
97	809095	1	Shaft-Throttle
●102	692077	1	Gasket-Carburetor Body
●104	690723	1	Pin-Float Hinge
●105	692078	1	Valve-Float Needle
108	690719	1	Valve-Choke
109	808962	1	Shaft-Choke
110	806861	1	Washer (Choke Shaft)
117	806859	1	Jet-Main
119	690720	1	Screw (Upper to Lower Body)
125	809152	1	Carburetor
130	690726	1	Valve-Throttle
133	806961	1	Float-Carburetor
142	806860	1	Nozzle-Carburetor
187	691050	1	Line-Fuel (Cut to Required Length)
217	806862	1	Spring-Choke Return
231	690718	1	Screw (Choke Valve)

Ref. No.	Part No.	Qty.	Description
276B	806137	1	Washer-Sealing
601	691038	1	Clamp-Hose
629	807004	1	Spring-Throttle Return
●633	807003	1	Seal-Choke/Throttle Shaft
●633A	690722	1	Seal-Choke/Throttle Shaft
637	806999	1	Washer (Throttle Shaft)
637A	807000	1	Washer (Throttle Shaft)
742	807001	1	Retainer-E Ring
822	690724	1	Seal-O Ring (Carburetor Plug)
918	393815	1	Line-V acuum (Cut to Required Length)
947	692094	1	Solenoid-Fuel
955	807723	1	Plug-Carburetor
987	807002	1	Seal-Throttle Shaft
●1091	691516	1	Cap-Limiter

● Included in Carburetor Overhaul Kit-Ref. 121.

★ Included in Engine Gasket Set-Ref. 358.

Obtain Parts from Briggs and Stratton



Assemblies include all parts shown in frames.

Intake Manifold Assembly Briggs and Stratton Engine 303440-1320-E1

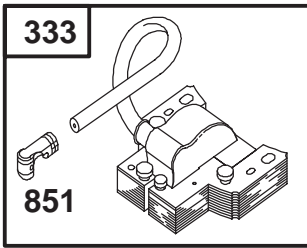
Ref. No.	Part No.	Qty.	Description
50	690754	1	Manifold-Intake
★●51	691694	1	Gasket-Intake
★△51A	692035	1	Gasket-Intake
54	690676	1	Screw (Intake Manifold)
122	690691	1	Spacer-Carburetor
★163	692081	1	Gasket-Air Cleaner
365	690711	1	Screw (Carburetor)
★△883	691613	1	Gasket-Exhaust
1054	280275	1	Tie-Cable

Ref. No.	Part No.	Qty.	Description

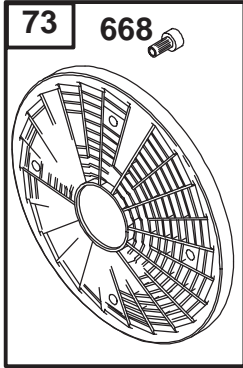
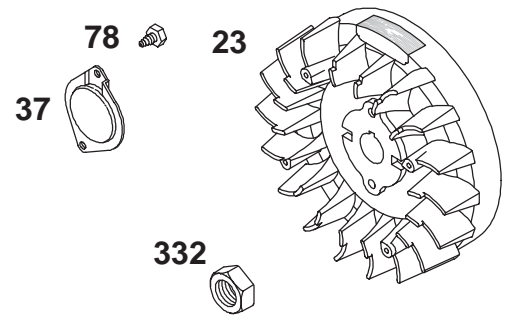
△ Included in Valve Gasket Set-Ref. 1095. ● Included in Carburetor Overhaul Kit-Ref. 121.

★ Included in Engine Gasket Set-Ref. 358.

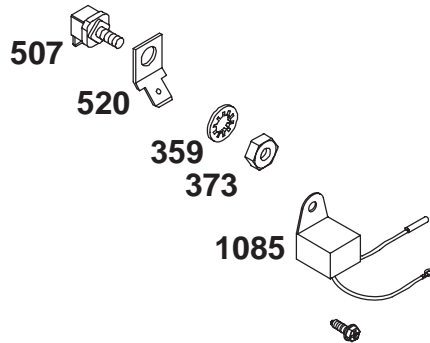
Obtain Parts from Briggs and Stratton



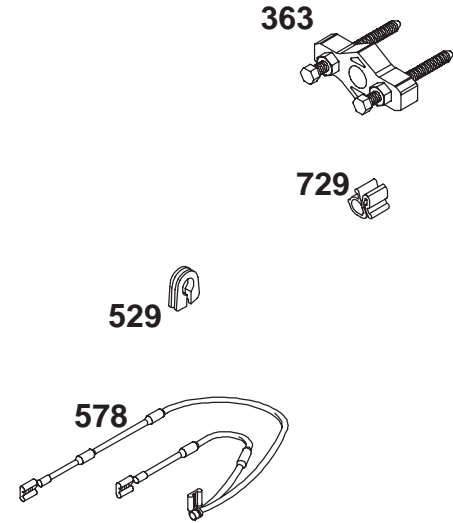
334



74



1231



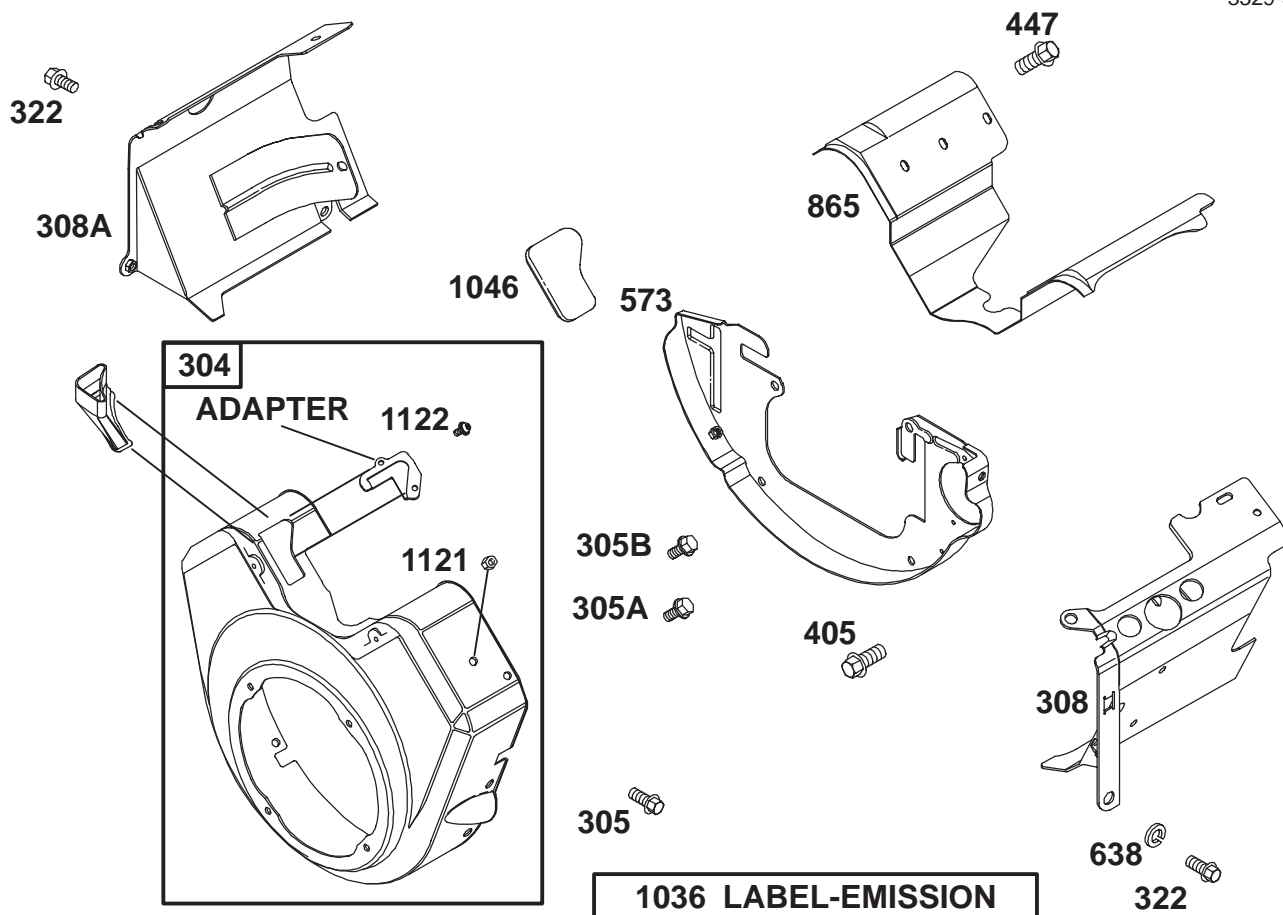
Assemblies include all parts shown in frames.

Flywheel Assembly Briggs and Stratton Engine 303440-1320-E1

Ref. No.	Part No.	Qty.	Description
23	690889	1	Flywheel
37	690715	1	Guard-Flywheel
73	494439	1	Screen-Rotating
74	691647	1	Screw (Rotating Screen)
78	690688	1	Screw (Flywheel Guard)
332	690887	1	Nut (Flywheel)
333	492341	1	Armature-Magneto
334	692066	1	Screw (Magneto Armature)
359	691077	1	Washer (Ground Terminal)
363	19203	1	Puller-Flywheel
373	691612	1	Nut (Ground Terminal)
507	691972	1	Insulator
520	691084	1	Terminal-Ground
529	690744	1	Grommet
578	692319	1	Wire Assembly
668	691500	1	Spacer
729	690586	1	Clip-Wire
851	493880	1	Terminal-Sparkplug

Ref. No.	Part No.	Qty.	Description
1085	809093	1	Module-Ignition
1231	692067	1	Screw (Ignition Module)

Obtain Parts from Briggs and Stratton



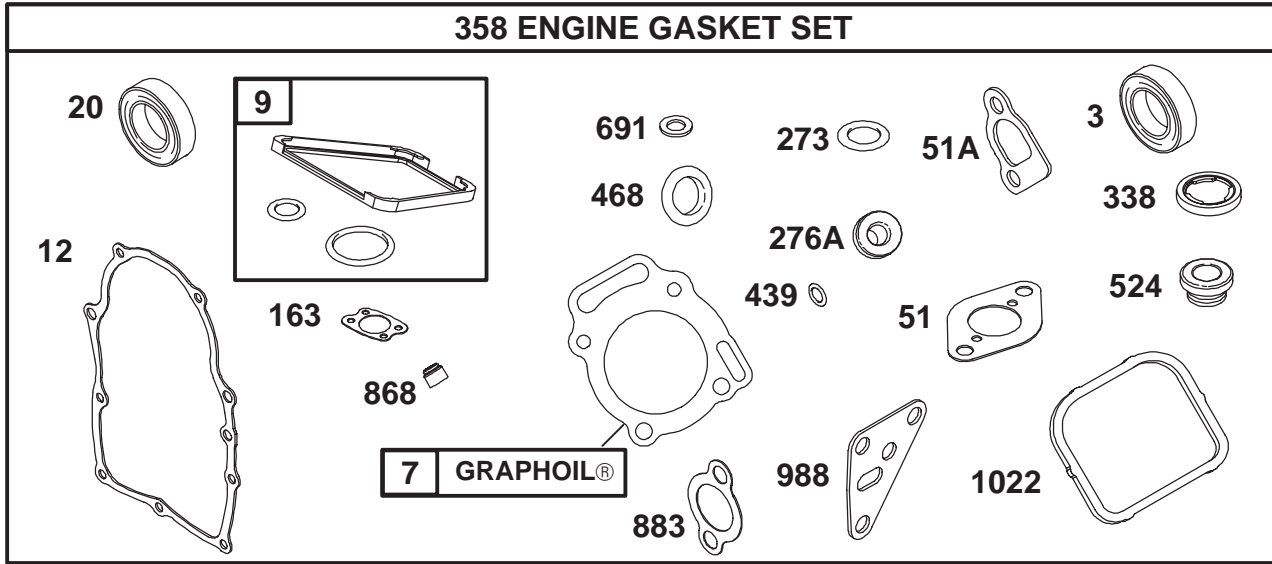
Assemblies include all parts shown in frames.

Blower Housing Assembly Briggs and Stratton Engine 303440-1320-E1

Ref. No.	Part No.	Qty.	Description
304	808408	1	Housing-Blower
305	692539	1	Screw (Blower Housing)
305A	692056	1	Screw (Blower Housing)
305B	692062	1	Screw (Blower Housing)
308	806547	1	Cover-Cylinder Head (Cylinder 1)
308A	806546	1	Cover-Cylinder Head (Cylinder 2)
322	692539	1	Screw (Cylinder Head Cover)
405	692539	1	Screw (Backplate)
447	692539	1	Screw (Air Guide Cover)
573	690902	1	Plate-Back
638	691551	1	Washer (Cylinder Head Cover)
865	690750	1	Cover-Air Guide
1036	806881	1	Label-Emission
1046	692082	1	Plug-Blower Housing

Ref. No.	Part No.	Qty.	Description
1121	810056	1	Nut (Air Cleaner)
1122	93410	1	Screw (Control Wire Casing)

Obtain Parts from Briggs and Stratton



Assemblies include all parts shown in frames.

Gasket Assembly Briggs and Stratton Engine 303440-1320-E1

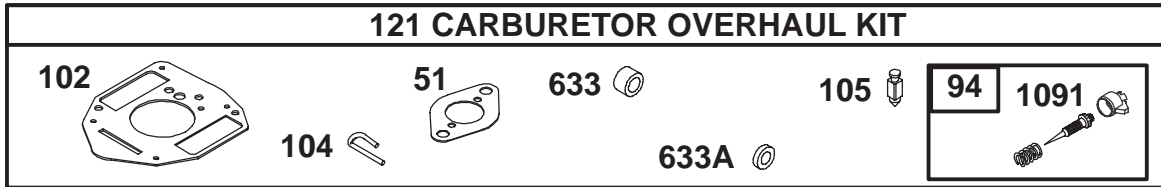
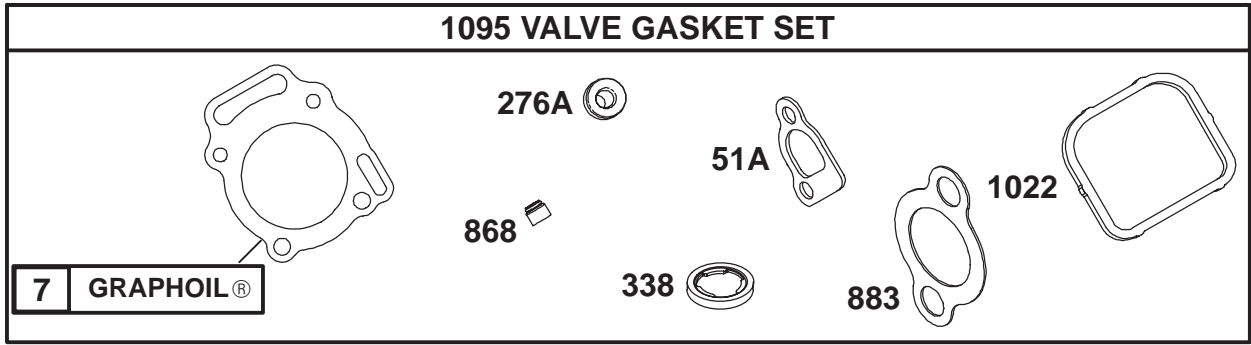
Ref. No.	Part No.	Qty.	Description
★3	805101	1	Seal-Oil (Magneto Side)
★Δ7	806085	1	Gasket-Cylinder Head
★9	809094	1	Gasket-Breather
★12	691684	1	Gasket-Crankcase
★20	805049	1	Seal-Oil (PTO Side)
★●51	691694	1	Gasket-Intake
★Δ51A	692035	1	Gasket-Intake
★163	692081	1	Gasket-Air Cleaner
★273	690681	1	Seal-O Ring (Oil Pump)
★Δ276A	691766	1	Washer-Sealing (Used Before Code Date 01120300)
★Δ338	691312	1	Gasket-Dipstick
358	808390	1	Gasket Set-Engine
★439	692154	1	Seal-O Ring (Crankcase Cover)
★468	690690	1	Seal-O Ring (Oil Pump Screen)
★524	693172	1	Seal-Dipstick Tube
★691	690680	1	Seal-Governor Shaft
★Δ868	691963	1	Seal-V alve

Ref. No.	Part No.	Qty.	Description
★Δ883	691613	1	Gasket-Exhaust
★988	692063	1	Gasket-Oil Filter Adapter
★Δ1022	806039	1	Gasket-Rocker Cover

Δ Included in Valve Gasket Set-Ref. 1095. ● Included in Carburetor Overhaul Kit-Ref. 121.

★ Included in Engine Gasket Set-Ref. 358.

Obtain Parts from Briggs and Stratton



Assemblies include all parts shown in frames.

Carburetor Overhaul Kit Assembly Briggs and Stratton Engine 303440-1320-E1

Ref. No.	Part No.	Qty.	Description
★△7	806085	1	Gasket-Cylinder Head
★●51	691694	1	Gasket-Intake
★△51A	692035	1	Gasket-Intake
●94	808257	1	Kit-Idle Mixture
●102	692077	1	Gasket-Carburetor Body
●104	690723	1	Pin-Float Hinge
●105	692078	1	Valve-Float Needle
121	809023	1	Kit-Carburetor Overhaul
★△276A	691766	1	Washer-Sealing (Used Before Code Date 01120300_
★△338	691312	1	Gasket-Dipstick
●633	806131	1	Seal-Choke/Throttle Shaft
●633A	690722	1	Seal-Choke/Throttle Shaft
★△868	691963	1	Seal-V valve
★△883	691613	1	Gasket-Exhaust
★△1022	806039	1	Gasket-Rocker Cover
●1091	691516	1	Cap-Limiter
1095	808392	1	Gasket Set-Valve

Ref. No.	Part No.	Qty.	Description

△ Included in Valve Gasket Set-Ref. 1095. ● Included in Carburetor Overhaul Kit-Ref. 121.

★ Included in Engine Gasket Set-Ref. 358.

Obtain Parts from Briggs and Stratton

Maintenance Record

Date									

Maintenance Record

Date								

