



Count on it.

Parts Catalog

**320-D Compact
Utility Loader**

Model No. 22337CP—Serial No. 315000001 and Up



Ordering Replacement Parts

To order replacement parts, please supply the part number, the quantity, and the description of each part desired.

Understanding Reference Numbers

Each identified part in an illustration has a reference number. The reference number for a part also appears in the parts list, along with other information about the part.

This catalog uses two special reference number formats, one to indicate parts in a service assembly and another to indicate the quantity of a given part in an illustration.

Service Assembly Reference Numbers

Parts in service assemblies have reference numbers in the form a:b. The a represents the reference number of the entire service assembly and the b represents a sequential number unique to each part within the service assembly.

For example, a wheel assembly might be identified by reference number 6, the tire by 6:1, the valve by 6:2, and the wheel by 6:3. When you order the assembly identified by reference number 6, you receive all parts identified by reference numbers 6:1, 6:2, and 6:3. However, you may also order any part individually. Reference numbers of this type appear in illustration and in parts lists.

Reference Numbers Indicating Quantity

In an illustration, if a reference number indicates more than one part, the reference number has the form nX y. The n represents the quantity of the part, the X is the multiplication symbol, and the y represents the reference number.

For example, in an illustration, the reference number 2X 37 means that two of the parts identified by reference number 37 are indicated.

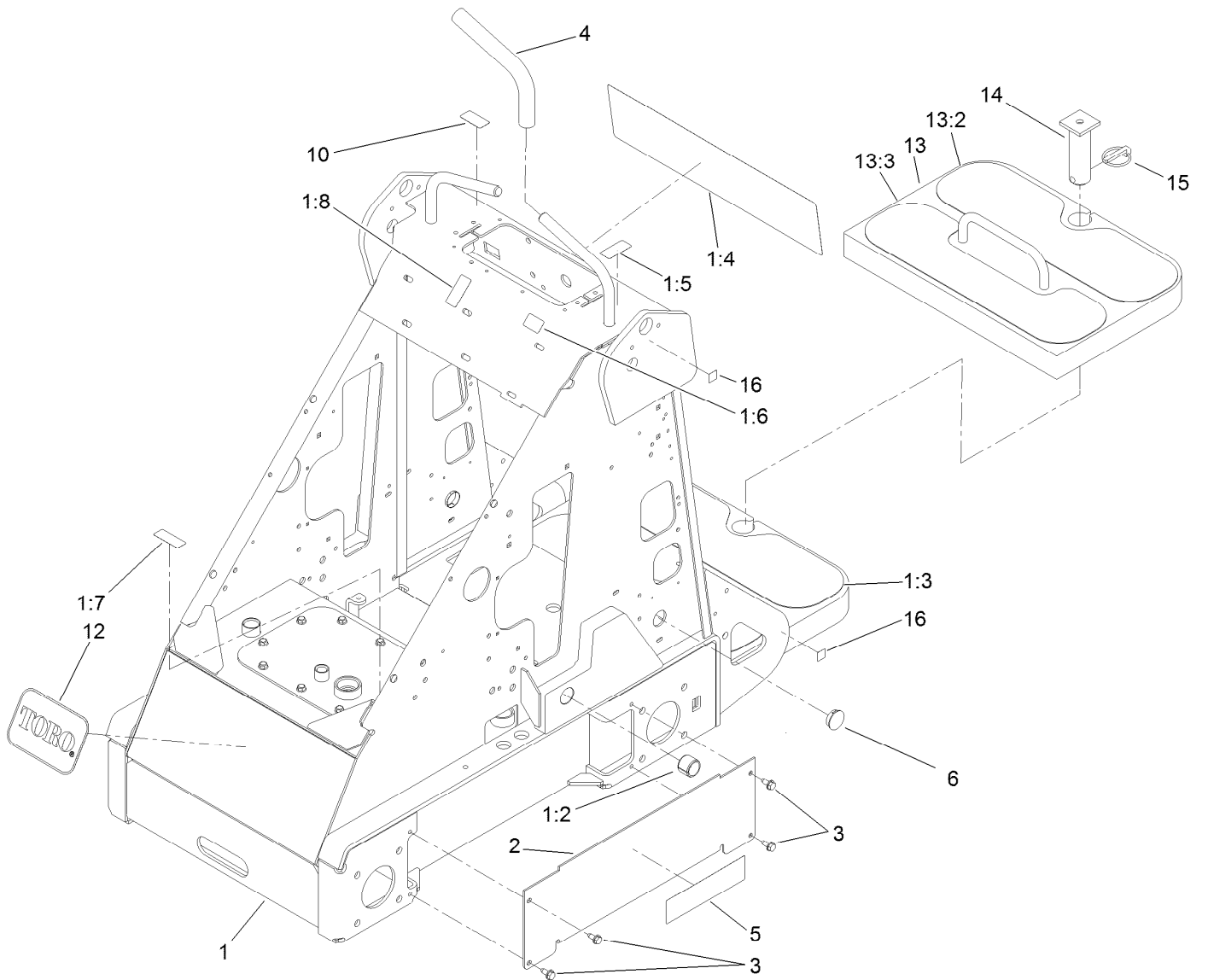
Contents

Frame Assembly	6
Hood and Cover Assembly	8
Rear Cover and Thigh Support Assembly	10
Wheel and Motor Assembly	12
Hydraulic Motor Assembly No. 99-3052	14
Parking Brake Assembly	16
Engine, Muffler and Pump Assembly	18
Tandem Hydraulic Pump Assembly No. 98-4702	20
Engine Mount Assembly	22
Fuel Tank and Air Filter Assembly	24
Air Cleaner Assembly No. 117-9989	26
Radiator and Fan Assembly	28
Loader Arm and Quick-Attach Assembly	30
Lever Lock Assembly No. 108-4702	32
Battery Mount Assembly	34
Switch, Hour Meter and Wire Harness Assembly	36
Cylinder Lock and Hydraulic Assembly	38
Auxiliary Control Lever Assembly	40
Selector Valve and Auxiliary Valve Assembly	42
Auxiliary Hydraulic Valve Assembly No. 99-3077	44
Hydraulic Valve Assembly No. 104-4221	46
Hydraulic Selector Valve Assembly No. 99-3072	48
Four Spool Valve Assembly	50
Four Spool Valve Assembly No. 130-7589	52
Hydraulic Motor Assembly	54
Counterbalance Valve Assembly No. 99-3040	56
Hydraulic Cylinder and Pivot Pin Assembly	58
Hydraulic Cylinder Assembly No. 117-1834	60
Crankcase Assembly	62
Oil Pan and Oil Pump Assembly	63
Cylinder Head Assembly	64
Gear Case and Oil Filter Cartridge Assembly	65
Cylinder Head Cover Assembly	66
Dipstick and Guide Assembly	67
Main Bearing Case Assembly	68
Camshaft and Idle Gear Shaft Assembly	69
Piston and Crankshaft Assembly	70
Flywheel Assembly	71
Fuel Camshaft Assembly	72
Idle Apparatus Assembly	73
Injection Pump Assembly	74
Stop Solenoid and Speed Control Plate Assembly	75
Nozzle Holder Assembly	76
Nozzle Holder and Glow Plug Assembly	78
Fork Lever (Governor) Assembly	79
Fuel Pump (Mechanical) Assembly	80
Alternator and Pulley Assembly	81
Alternator Assembly No. 131-0561	82
Starter Installation Assembly	83
Starter Component Assembly No. 100-2179	84
Water Flange and Thermostat Assembly	85
Water Pump and Water Pipe Assembly	86
Valve and Rocker Arm Assembly	87
Inlet and Exhaust Manifold Assembly	88

Contents (continued)

Miscellaneous Engine Parts 89
Upper Engine Gasket Kit..... 90
Lower Engine Gasket Kit..... 91
Attachments and Accessories 92

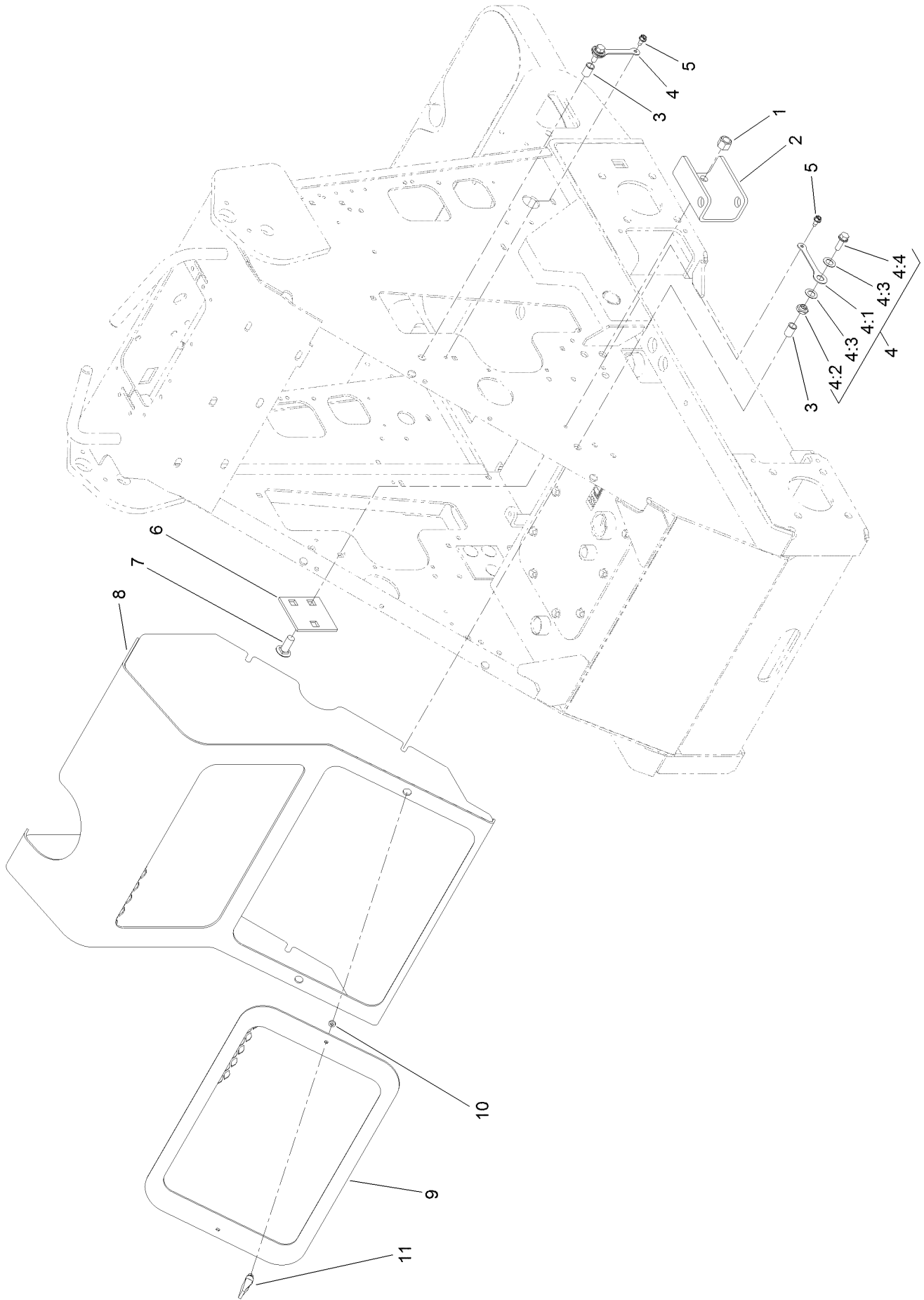
Frame Assembly



Frame Assembly (continued)

<i>Ref.</i>	<i>Part Number</i>	<i>Qty.</i>	<i>Description</i>	<i>Ref.</i>	<i>Part Number</i>	<i>Qty.</i>	<i>Description</i>
1	114-1753	1	Frame ASM	5	105-8429	2	Decal
1:2	98-4871	2	Bushing-Tension	6	94-1402	2	Plug-Hole
1:3	98-9947	2	Tread-Foot	10	98-4387	1	Decal-Protection, Ear
1:4	108-9733	1	Decal-Control Panel, CE	12	62-5550	1	Decal
1:5	98-8219	1	Decal-Throttle	13	112-4947	1	Counterweight ASM
1:6	100-1703	1	Decal-Limiter, Speed	13:2	98-9947	1	Tread-Foot
1:7	93-6686	1	Decal-Oil, HYD	13:3	112-4948	1	Tread
1:8	98-8235	1	Decal-Selector	14	99-8638	1	Pin
2	106-8178-01	2	Cover-Hose	15	99-9978	1	Pin-Lynch
3	32144-70	8	Screw-HWHTF	16	93-9084	4	Decal-Point, Lift
4	98-4845	2	Grip-Cushion				

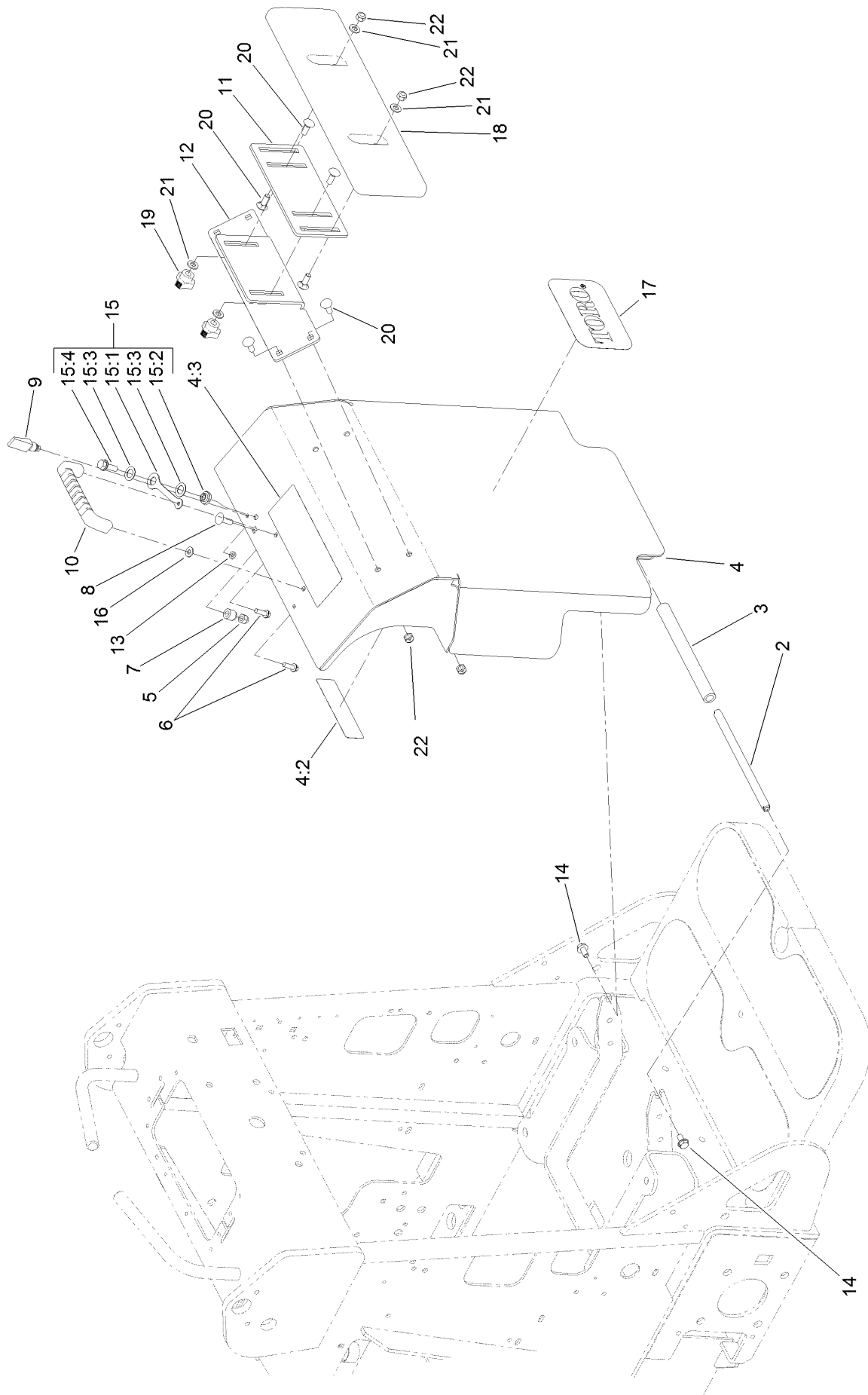
Hood and Cover Assembly



Hood and Cover Assembly (continued)

<i>Ref.</i>	<i>Part Number</i>	<i>Qty.</i>	<i>Description</i>	<i>Ref.</i>	<i>Part Number</i>	<i>Qty.</i>	<i>Description</i>
1	3296-23	6	Nut-Lock, NI	5	32104-17	4	Screw-HWH
2	100-4122-01	2	Bracket-Anchor	6	100-4116-01	2	Plate-Anchor
3	32148-8	4	Nut-Clinch	7	3233-26	6	Screw-CARR,Shortneck
4	117-1762	4	Lanyard ASM	8	99-3120-03	1	Hood
4:1	117-8339	1	Lanyard-3 Inch	9	99-3118-03	1	Cover
4:2	117-1764	1	Nut-Shoulder	10	99-3058	2	Washer
4:3	98-1629	2	Washer	11	74-5950	2	Latch-Swell
4:4	3234-29	1	Screw-HHF				

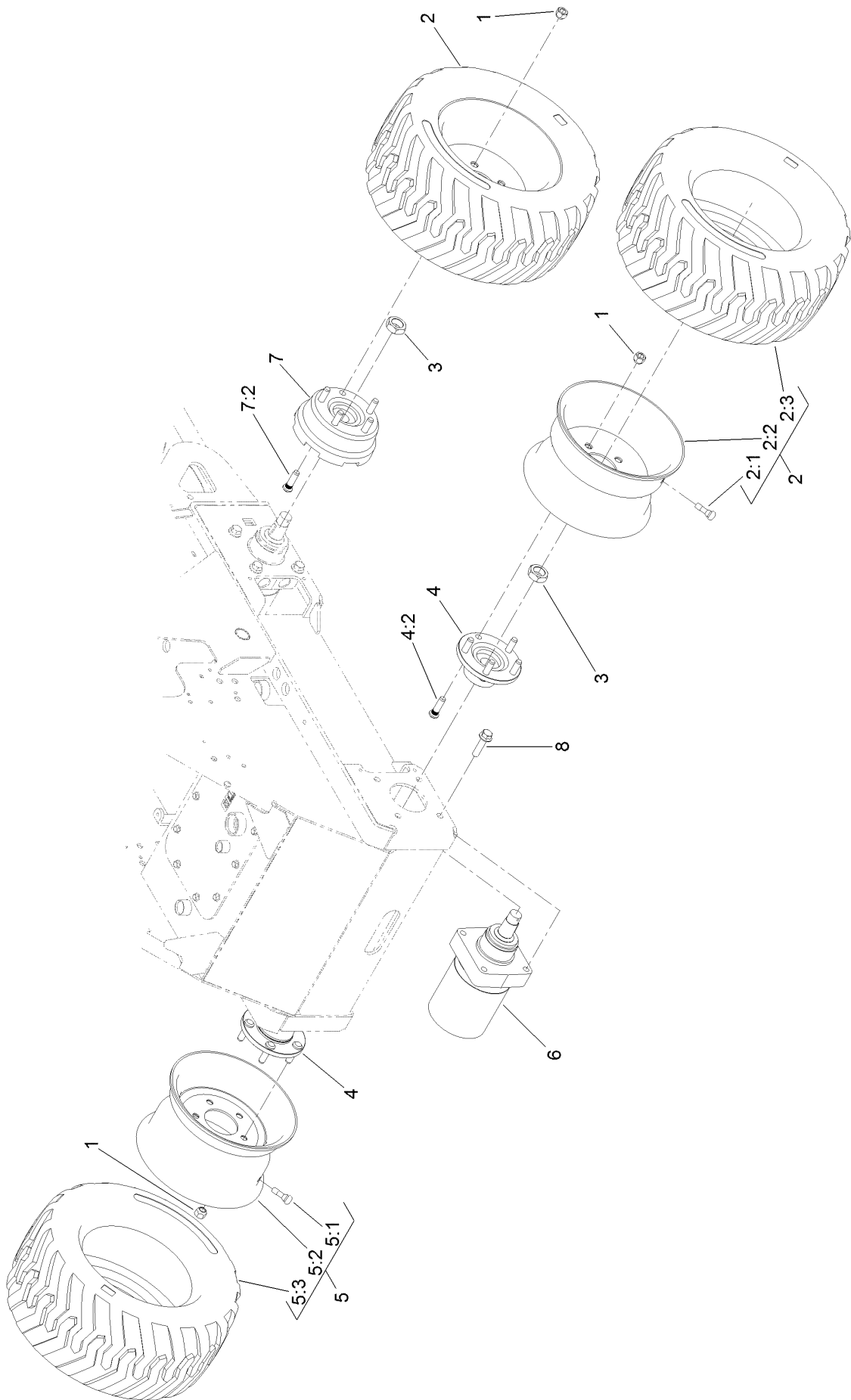
Rear Cover and Thigh Support Assembly



Rear Cover and Thigh Support Assembly (continued)

<i>Ref.</i>	<i>Part Number</i>	<i>Qty.</i>	<i>Description</i>	<i>Ref.</i>	<i>Part Number</i>	<i>Qty.</i>	<i>Description</i>
2	99-3083	1	Bar-Hinge	14	3234-7	2	Screw-HHF
3	99-3085	1	Hose-Hinge	15	117-1762	1	Lanyard ASM
4	114-1755	1	Cover ASM	15:1	117-8339	1	Lanyard-3 Inch
4:2	93-7814	1	Decal-Danger	15:2	117-1764	1	Nut-Shoulder
4:3	100-1701	1	Decal-Danger	15:3	98-1629	2	Washer
5	32111-8	1	Nut-Acorn	15:4	3234-29	1	Screw-HHF
6	46-8091	2	Screw-HWH	16	3256-22	1	Washer-Flat
7	99-3035	1	Spacer-Guide	17	93-7340	1	Decal
8	3230-22	1	Screw-CARR	18	105-0333	1	Support-Thigh
9	74-5950	2	Latch-Swell	19	104-6156	2	Knob-Adjustment
10	65-5100	1	Handle-Door	20	3230-16	8	Screw-CARR
11	105-0337-03	1	Plate-Adjusting	21	3256-70	4	Washer-Flat
12	105-0331-03	1	Bracket-Support, Thigh	22	3296-72	6	Nut-Lock, NI
13	99-3058	2	Washer				

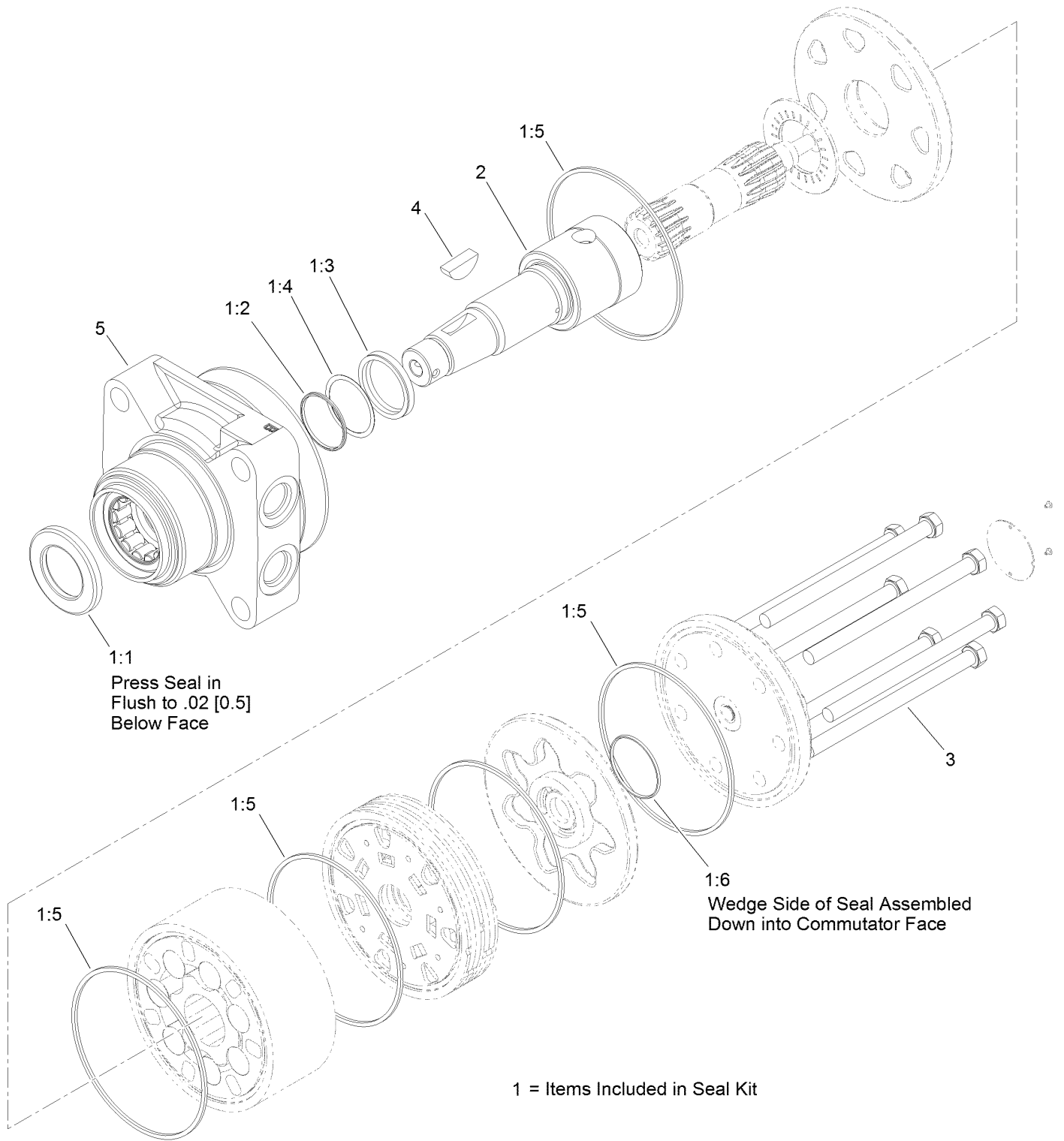
Wheel and Motor Assembly



Wheel and Motor Assembly (continued)

<i>Ref.</i>	<i>Part Number</i>	<i>Qty.</i>	<i>Description</i>	<i>Ref.</i>	<i>Part Number</i>	<i>Qty.</i>	<i>Description</i>
1	242-50	20	Nut-Lug	5	99-1447	2	RH Wheel And Tire ASM
2	98-2747	2	LH Wheel And Tire ASM	5:1	232-27	1	Stem-Valve
2:1	232-27	1	Stem-Valve	5:2	98-2748	1	Wheel
2:2	98-2748	1	Wheel	5:3	98-2749	1	Tire
2:3	98-2749	1	Tire	6	99-3052	4	HYD Motor ASM
3	106-8159	4	Nut-Hex Jam Lck	7	105-4056	2	Wheel Hub ASM
4	99-3064	2	Hub ASM	7:2	10-6830	5	Stud-Type, Drive
4:2	10-6830	5	Stud-Type, Drive	8	3234-27	16	Screw-HHF

Hydraulic Motor Assembly No. 99-3052

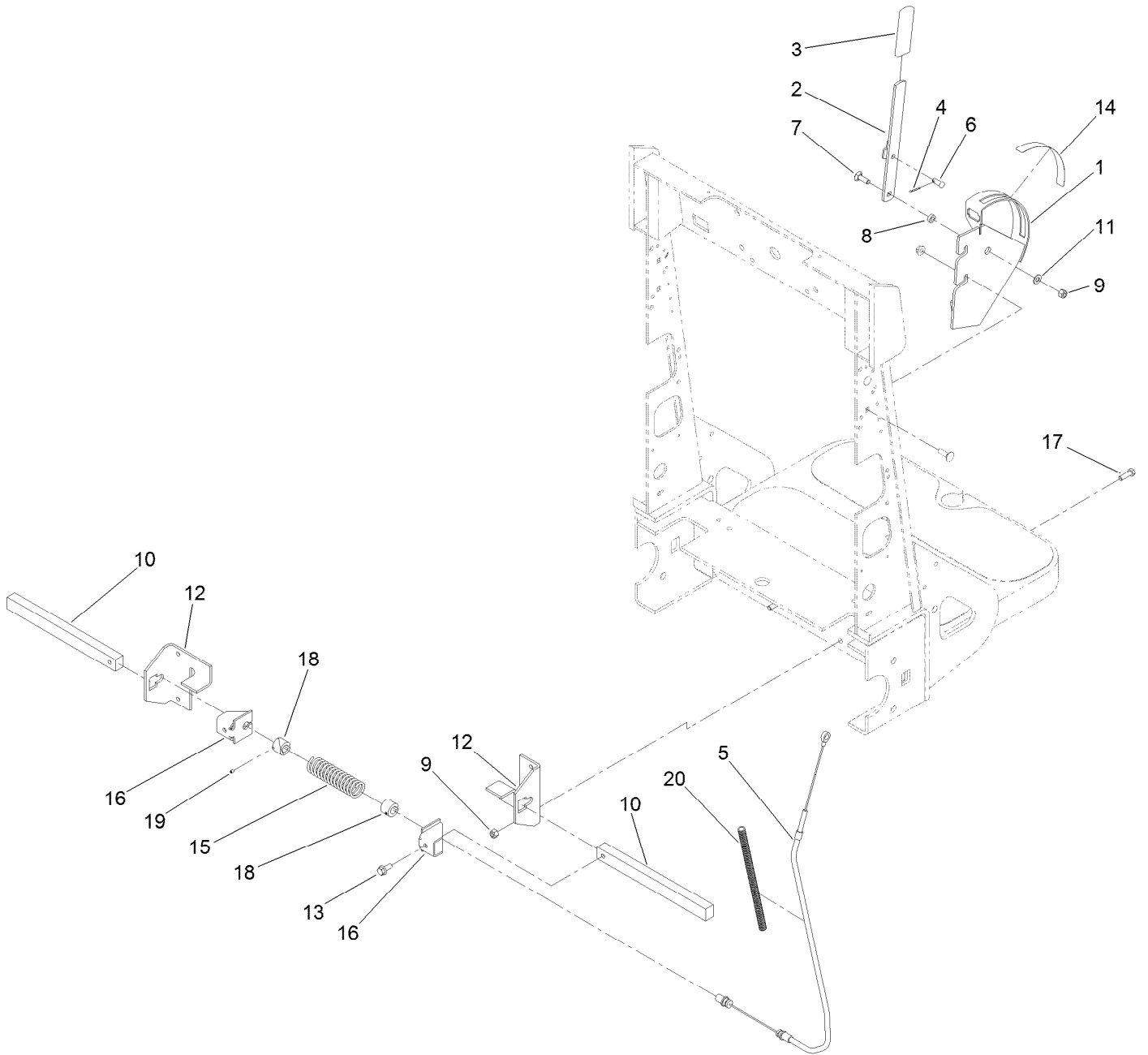


Hydraulic Motor Assembly No. 99-3052 (continued)

<i>Ref.</i>	<i>Part Number</i>	<i>Qty.</i>	<i>Description</i>	<i>Ref.</i>	<i>Part Number</i>	<i>Qty.</i>	<i>Description</i>
1	94-8178	1	Seal Kit	1:6		1	Seal-Commutator ●
1:1		1	Seal-Dirt And Water ●	2	99-3090	1	Shaft-Coupling
1:2		1	Backup-Ring ●	3	99-3091	7	Screw-Cap, HH
1:3		1	Seal-Shaft ●	4	3257-42	1	Key-Woodruff
1:4		1	Washer-Backup ●	5	120-5392	1	Motor Housing ASM
1:5		5	Seal-Square, Ring (Inner) ●				

● Not serviced separately

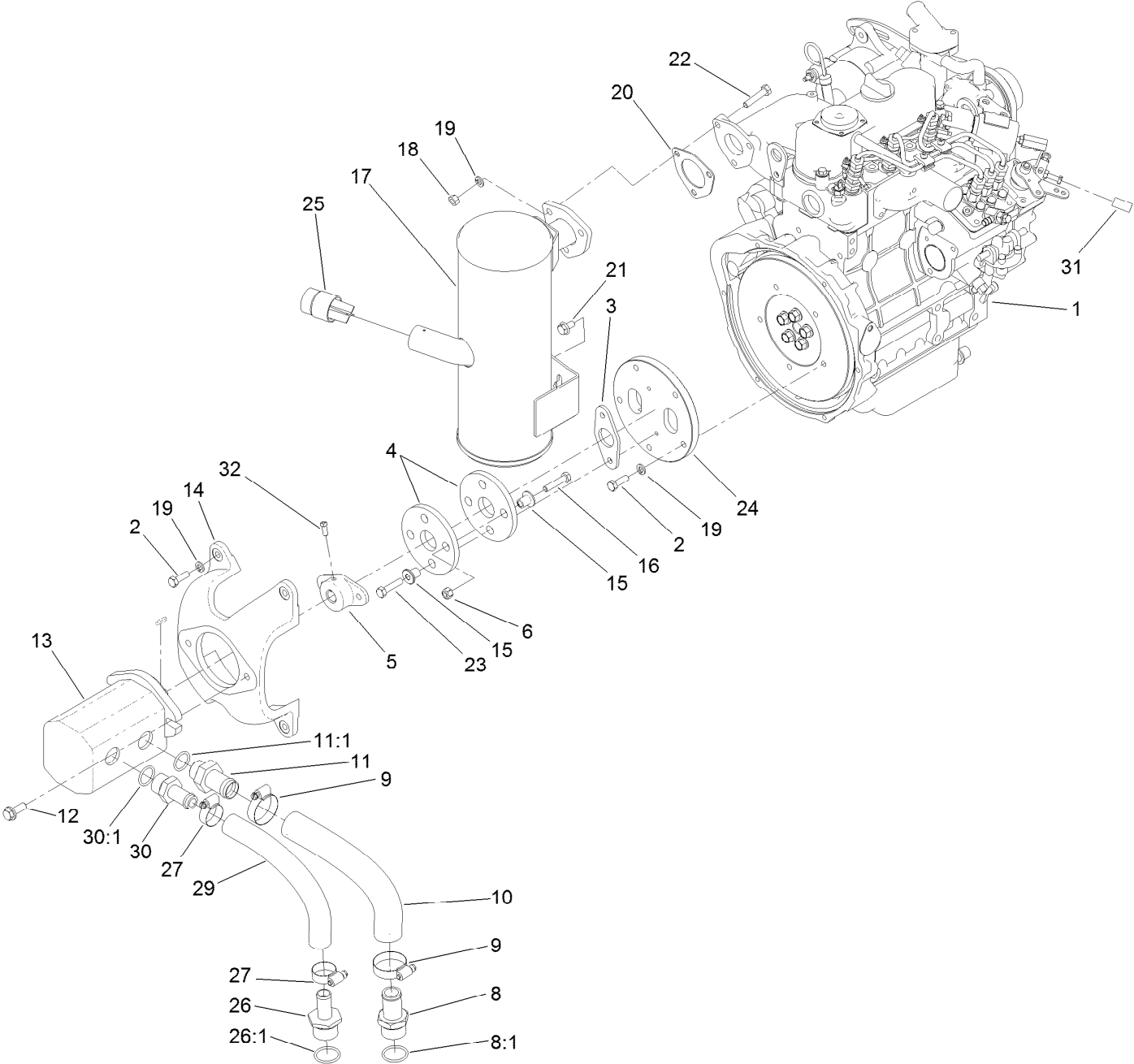
Parking Brake Assembly



Parking Brake Assembly (continued)

<i>Ref.</i>	<i>Part Number</i>	<i>Qty.</i>	<i>Description</i>	<i>Ref.</i>	<i>Part Number</i>	<i>Qty.</i>	<i>Description</i>
1	105-8414-03	1	Plate-Brake	11	3256-23	1	Washer-Plain
2	100-1684-03	1	Lever-Brake	12	100-1676-03	2	Bracket-Brake
3	62-9130	1	Grip-Handle	13	100-1668	2	Screw-HHF
4	3272-6	1	Pin-Cotter	14	100-1692	1	Decal-Brake
5	100-1679	1	Cable	15	100-1678-03	1	Spring
6	283-62	1	Pin-Clevis	16	100-1677-03	2	Bracket-Cable
7	3230-22	1	Screw-CARR	17	322-5	4	Screw-HH
8	100-1683	1	Hub-Lever	18	100-6274	2	Tube-Guide
9	3296-29	5	Nut-Lock, NI	19	3245-20	2	Screw-Set
10	100-1674-03	2	Bar-Brake	20	100-4697	1	Tube-Convolutd

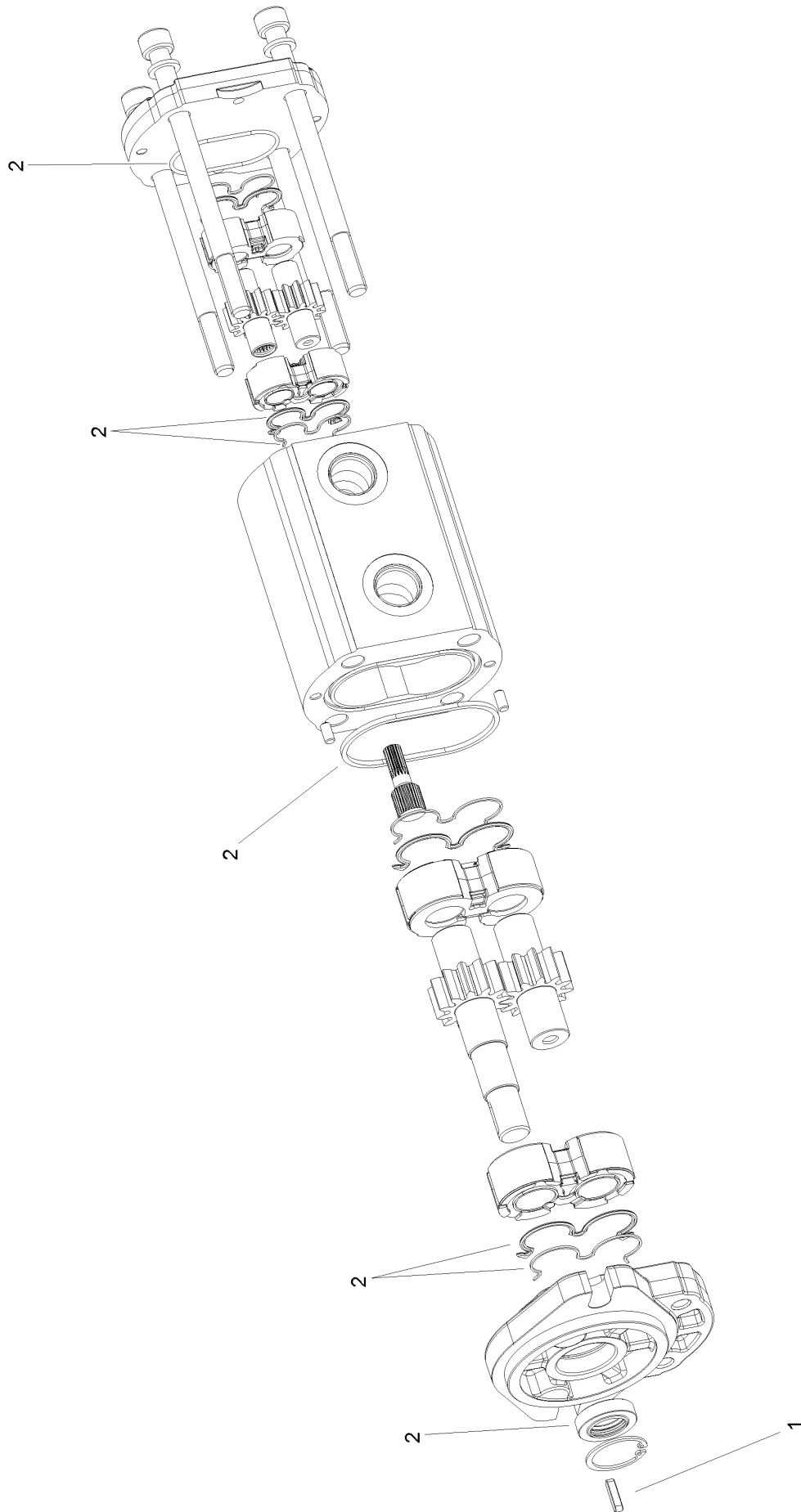
Engine, Muffler and Pump Assembly



Engine, Muffler and Pump Assembly (continued)

<i>Ref.</i>	<i>Part Number</i>	<i>Qty.</i>	<i>Description</i>	<i>Ref.</i>	<i>Part Number</i>	<i>Qty.</i>	<i>Description</i>
1	131-5700	1	Engine-Kubota, D722	17	117-1828	1	Muffler
2	99-5131	9	Bolt	18	3217-6	3	Nut-Hex
3	99-1430	1	Spacer-Coupler	19	3253-4	12	Washer-Lock
4	115-4523	2	Coupling-Rubber	20	100-2238	1	Gasket-Muffler
5	98-4701	1	Hub-Pump	21	117-1836	1	Screw-HHF, Lock
6	104-9469	2	Nut-Lock	22	322-7	3	Screw-HH
8	354-78	1	Fitting-STR	23	99-5133	2	Bolt
8:1	237-146	1	O-Ring	24	99-1431	1	Adapter-Flywheel
9	2412-111	2	Clamp-Hose, W/Liner	25	75-6880	1	Screen-Arrester, Spark
10	131-0581	1	Hose-Suction	26	99-6932	1	Fitting-STR
11	99-3017	1	Fitting	26:1	237-117	1	O-Ring
11:1	237-81	1	O-Ring	27	2412-129	2	Clamp-Hose
12	66-9300	2	Screw-HHF	29	131-0583	1	Hose Suction
13	98-4702	1	Pump-Gear, Tandem	30	354-73	1	Fitting
14	131-0555-03	1	Mount-Pump	30:1	237-81	1	O-Ring
15	71-4411	4	Spacer	31	117-1765	1	Tube-Aluminum
16	5-1470	2	Screw-HH	32	3241-5	1	Screw-Set

Tandem Hydraulic Pump Assembly No. 98-4702

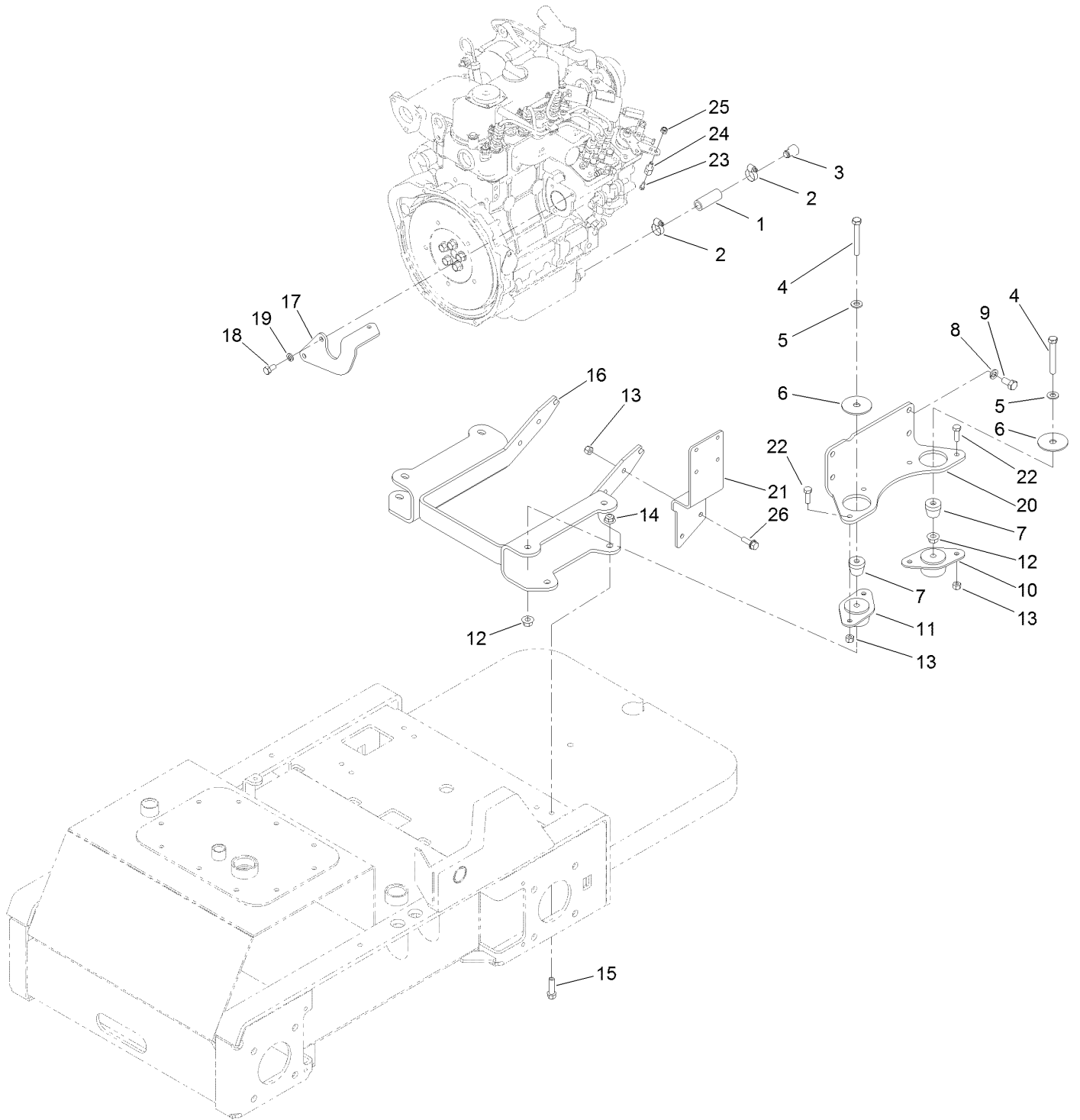


Tandem Hydraulic Pump Assembly No. 98-4702 (continued)

<i>Ref.</i>	<i>Part Number</i>	<i>Qty.</i>	<i>Description</i>
1	98-4700	1	Key-Square
2	99-1353	1	Seal Kit ●

● Not illustrated

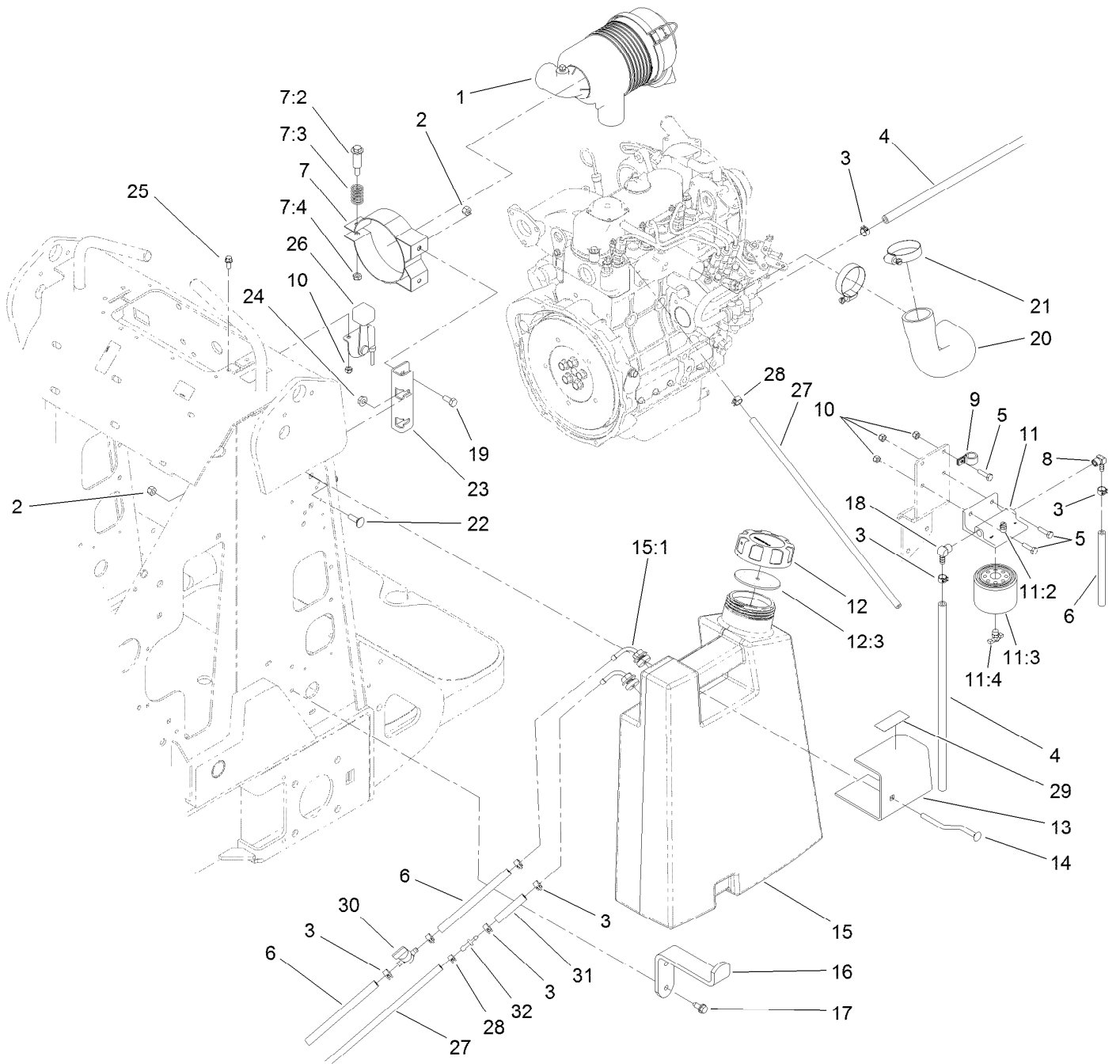
Engine Mount Assembly



Engine Mount Assembly (continued)

<i>Ref.</i>	<i>Part Number</i>	<i>Qty.</i>	<i>Description</i>	<i>Ref.</i>	<i>Part Number</i>	<i>Qty.</i>	<i>Description</i>
1	56-2230	1	Hose-Fuel	14	104-8301	4	Nut-HF, NI
2	2412-36	2	Clamp-Hose	15	95-1727	4	Screw-Taptite
3	99-1445	1	Plug-Oil	16	98-0066-01	1	Mount-Engine
4	323-13	4	Screw-HH	17	130-2838-01	1	Mount-Solenoid
5	3256-24	4	Washer-Plain	18	99-5132	2	Bolt
6	87-5100	4	Washer-Snubbing	19	3253-4	2	Washer-Lock
7	117-1859	4	Snubber-Engine Mount	20	98-0055-01	2	Plate-Mount, Engine
8	42-9600	6	Washer-Lock	21	98-0059-01	1	Mount-Filter, Fuel
9	99-5130	8	Screw-HH	22	322-5	8	Screw-HH
10	83-1030	2	Mount-Engine	23	25-8640	1	Screw-HH
11	93-5265	2	Mount-Engine	24	93-0021	1	Swivel-Cable, Throttle
12	32128-29	4	Nut-Lock, Flg	25	3296-13	1	Nut-Lock, NI
13	3296-29	10	Nut-Lock, NI	26	3234-29	2	Screw-HHF

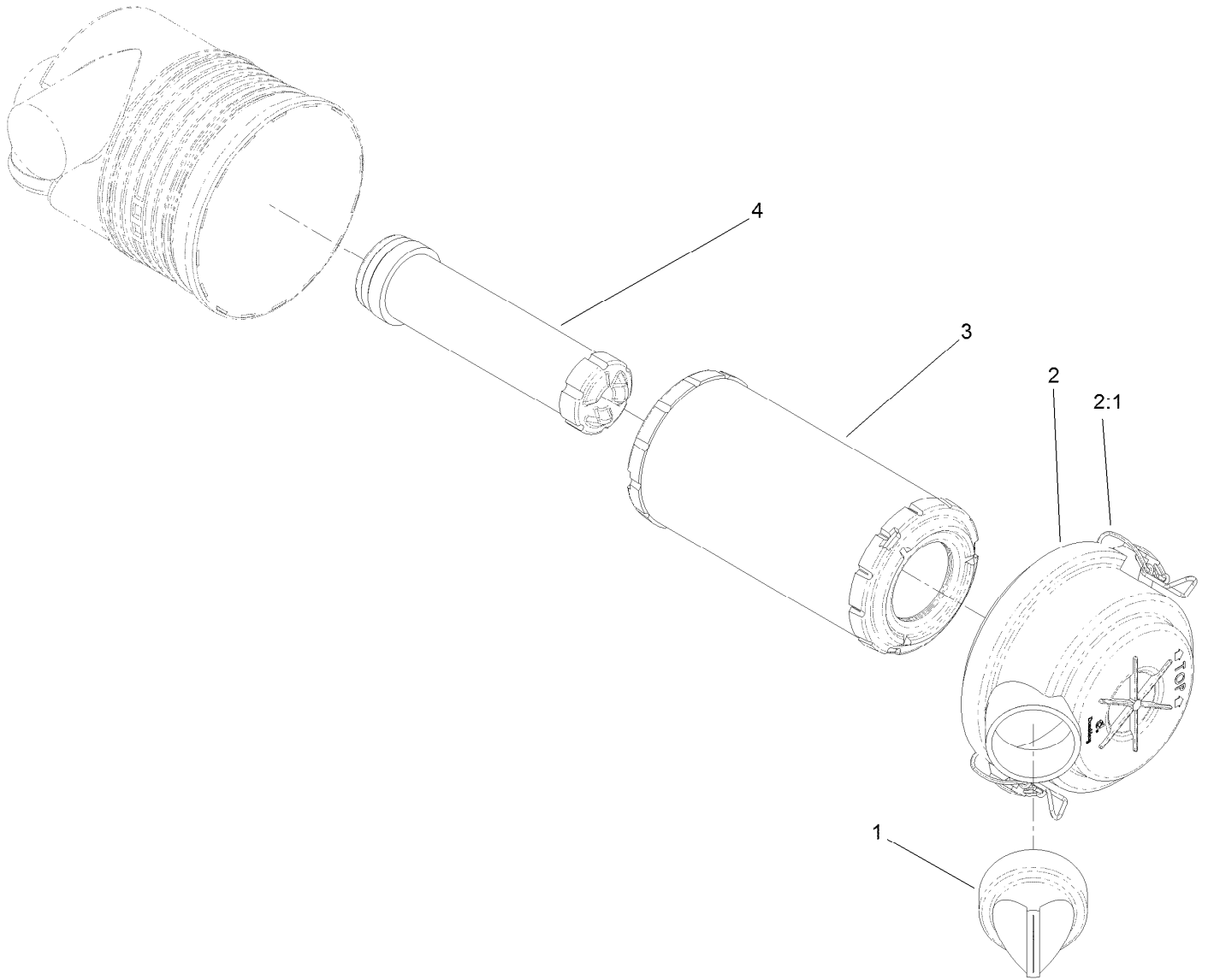
Fuel Tank and Air Filter Assembly



Fuel Tank and Air Filter Assembly (continued)

<i>Ref.</i>	<i>Part Number</i>	<i>Qty.</i>	<i>Description</i>	<i>Ref.</i>	<i>Part Number</i>	<i>Qty.</i>	<i>Description</i>
1	117-9989	1	Air Cleaner ASM	14	98-4657	1	Bolt-Mount
2	3296-29	3	Nut-Lock, NI	15	105-8438	1	LH Fuel Tank ASM
3	92-2379	8	Clamp-Hose	15:1	103-2615	2	Fitting-Fuel, Bulkhead
4	110-4113	1	Hose-Fuel	16	98-4656-03	1	Mount-Bottom, Tank
5	321-6	3	Screw-HH	17	32144-70	2	Screw-HWHTF
6	107-0588	2	Hose-Fuel	18	353-781	1	Fitting-HYD, 90
7	93-2191	1	Air Cleaner Mounting Band ASM	19	322-3	2	Screw-HH
7:2	94-3653	1	Bolt	20	99-5041	1	Hose-Cleaner, Air
7:3	94-3654	1	Spring	21	2412-92	2	Clamp-Hose
7:4	48-9510	1	*obs* Nut	22	3230-2	2	Bolt-CARR
8	304-96	1	Elbow	23	99-3080-03	1	Mount-Cleaner, Air
9	2412-87	1	Clamp-Cable	24	32128-20	2	Nut-HF
10	3296-42	5	Nut-Lock, NI	25	3234-33	2	Screw-HHF
11	109-2678	1	Filter ASM	26	99-1422	1	Control-Throttle
11:2	63-8290	1	Vent-Air	27	110-8751	1	Hose-Fuel
11:3	109-3117	1	Filter-Separator, Water	28	2412-80	2	Clamp-Hose
11:4	63-8310	1	Valve-Drain	29	114-9600	1	Decal-Low Sulfur
12	104-7419	1	Cap-Fuel, Diesel	30	1-603770	1	Valve-Fuel
12:3	104-7420	1	Gasket-Vented	31	109-0304	1	Hose-Fuel
13	99-1444-03	1	Plate-Mount, Left	32	106-8150	1	Fitting-Straight

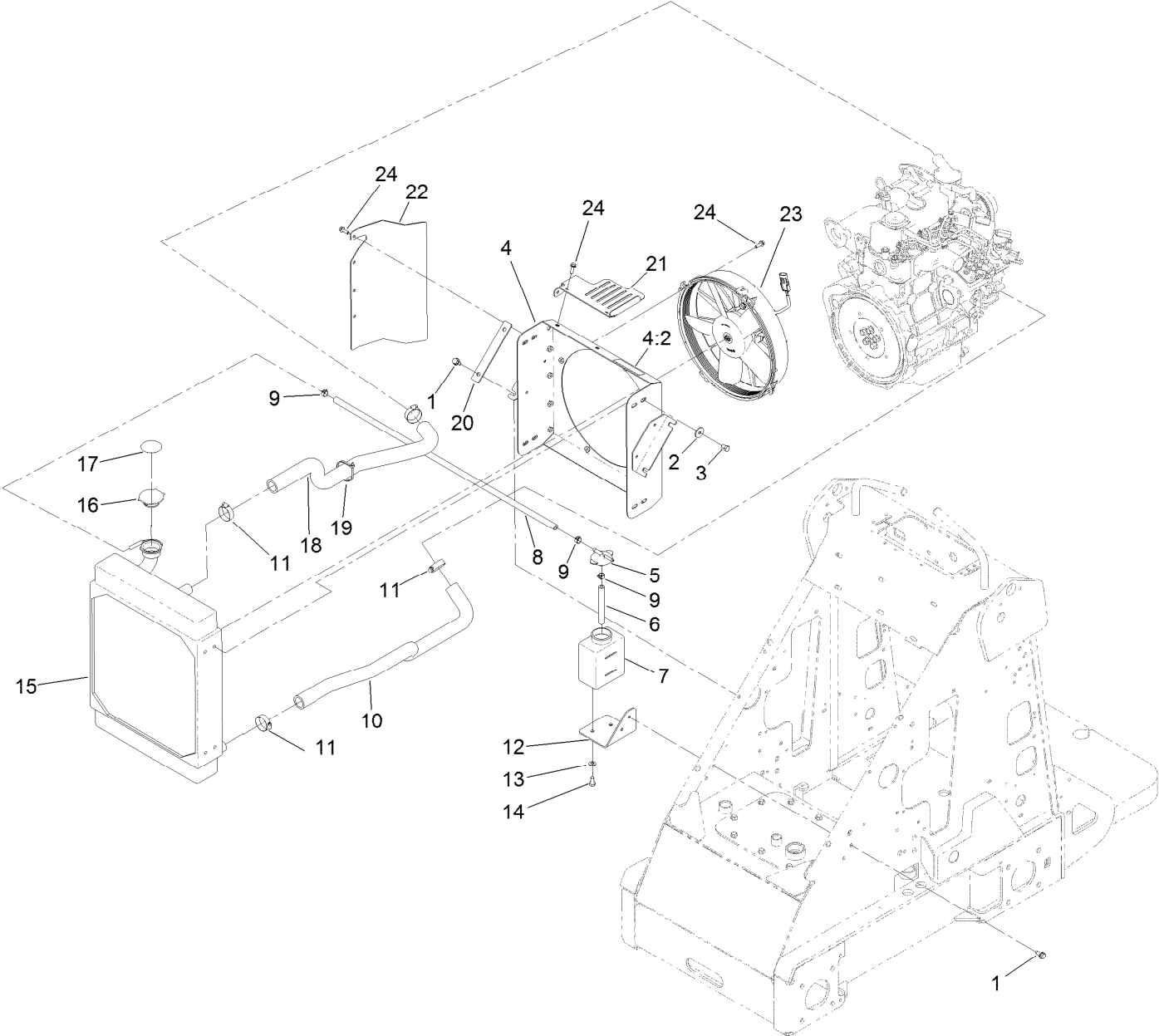
Air Cleaner Assembly No. 117-9989



Air Cleaner Assembly No. 117-9989 (continued)

<i>Ref.</i>	<i>Part Number</i>	<i>Qty.</i>	<i>Description</i>	<i>Ref.</i>	<i>Part Number</i>	<i>Qty.</i>	<i>Description</i>
1	87-9400	1	Valve-Vacuator	3	108-3811	1	Filter-Air V-Twin HD
2	94-3652	1	Cover ASM	4	98-2982	1	Filter-Element, Safety
2:1	1-643283	2	Latch-Cleaner, Air				

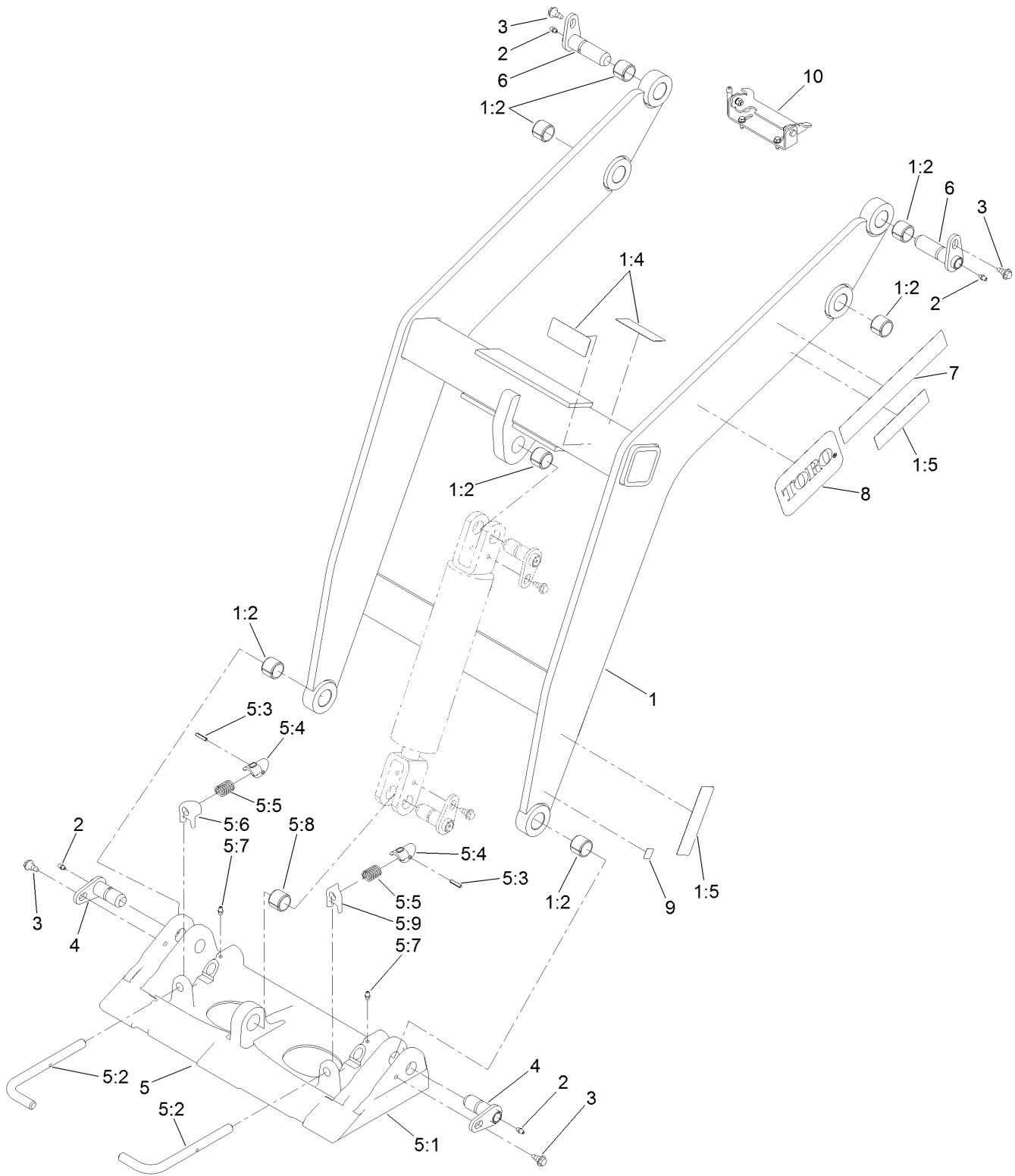
Radiator and Fan Assembly



Radiator and Fan Assembly (continued)

<i>Ref.</i>	<i>Part Number</i>	<i>Qty.</i>	<i>Description</i>	<i>Ref.</i>	<i>Part Number</i>	<i>Qty.</i>	<i>Description</i>
1	32144-70	6	Screw-HWHTF	13	3256-23	2	Washer-Plain
2	3256-82	8	Washer-Flat	14	99-5132	2	Bolt
3	322-1	8	Screw-HH	15	99-5125	1	Radiator
4	130-2832	1	Mount-Radiator	16	66-3240	1	Cap-Radiator
4:2	120-0627	1	Decal-Warning	17	106-5976	1	Decal-Warning
5	93-2048	1	Cap-Tank, Overflow	18	99-5043	1	Hose-Radiator, Upper
6	108-3283	1	Hose-Fuel	19	3290-379	1	Tie-Cable
7	93-2049	1	Tank-Overflow	20	108-9746-01	2	Plate-Clamp, Radiator
8	110-6186	1	Hose-Fuel	21	130-2831-03	1	Fan-Guard
9	92-2379	3	Clamp-Hose	22	130-2833-03	1	Plate-Baffle
10	99-5042	1	Hose-Radiator, Lower	23	131-0558	1	Fan
11	2412-34	4	Clamp-Hose	24	117-8304	11	Screw-HHF
12	99-1446-01	1	Mount-Tank, Overflow				

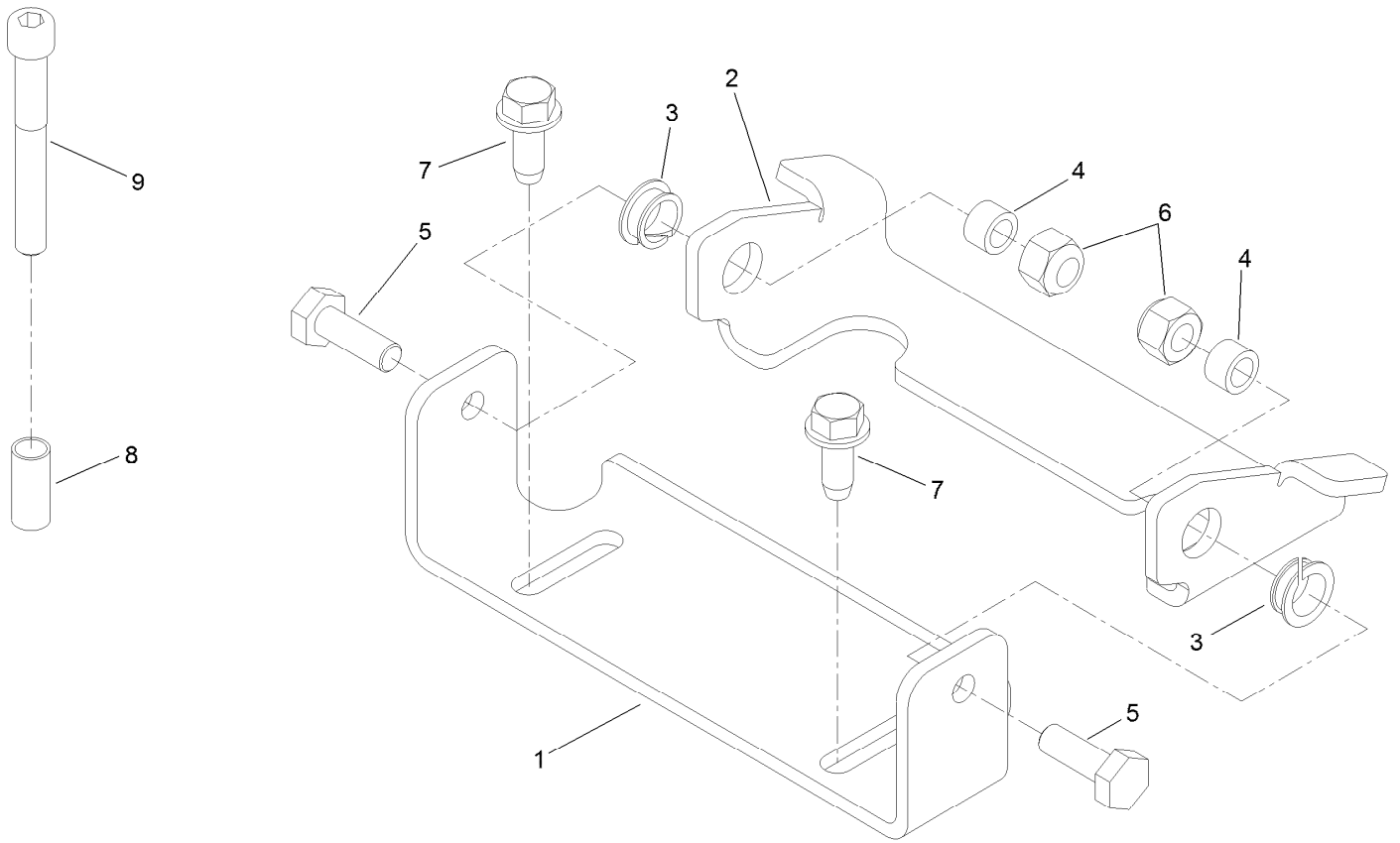
Loader Arm and Quick-Attach Assembly



Loader Arm and Quick-Attach Assembly (continued)

<i>Ref.</i>	<i>Part Number</i>	<i>Qty.</i>	<i>Description</i>	<i>Ref.</i>	<i>Part Number</i>	<i>Qty.</i>	<i>Description</i>
1	114-1754	1	Loader ASM	5:4	105-0246	2	Cam
1:2	98-4871	7	Bushing-Tension	5:5	98-4694	2	Spring-Compression
1:4	130-2836	4	Decal-Warning, Crushing	5:6	104-5909	1	Stop-RH
1:5	130-2837	2	Decal-Warning, No Rider	5:7	302-5	2	Fitting-Grease
2	302-5	4	Fitting-Grease	5:8	98-4871	1	Bushing-Tension
3	99-5105	4	Screw-Shoulder	5:9	104-5903	1	Stop-LH
4	112-2609	2	Pin-Pivot	6	120-5363	2	Pin-Pivot
5	115-0788	1	Quick Attach ASM	7	117-1816	2	Decal
5:1	115-0774-03	1	Mount-Qtach	8	93-7340	2	Decal
5:2	105-8367	2	Pin-Locking	9	93-9084	2	Decal-Point, Lift
5:3	3285-1	2	Pin-Grooved	10	108-4702	1	Lever Lock ASM

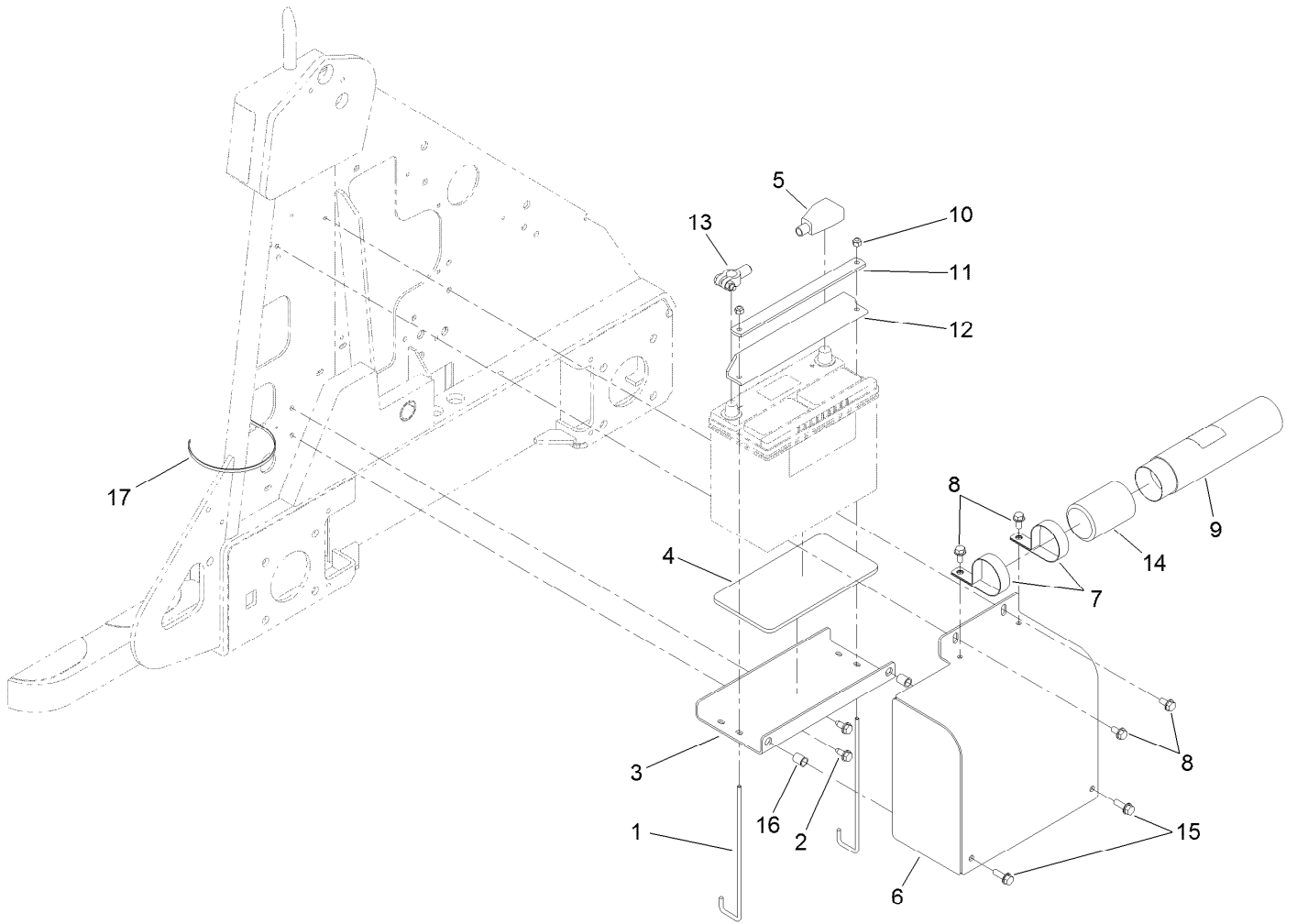
Lever Lock Assembly No. 108-4702



Lever Lock Assembly No. 108-4702 (continued)

<i>Ref.</i>	<i>Part Number</i>	<i>Qty.</i>	<i>Description</i>	<i>Ref.</i>	<i>Part Number</i>	<i>Qty.</i>	<i>Description</i>
1	108-4703-03	1	Bracket-Lever Lock	6	3296-42	2	Nut-Lock, NI
2	108-4704-03	1	Arm-Lever Lock	7	32144-10	2	Screw-HWH
3	5979	2	Bushing-Nyliner	8	108-4705	1	Spacer
4	88-7860	2	Spacer	9	3274-19	1	Screw-HSH
5	321-4	2	Screw-HH				

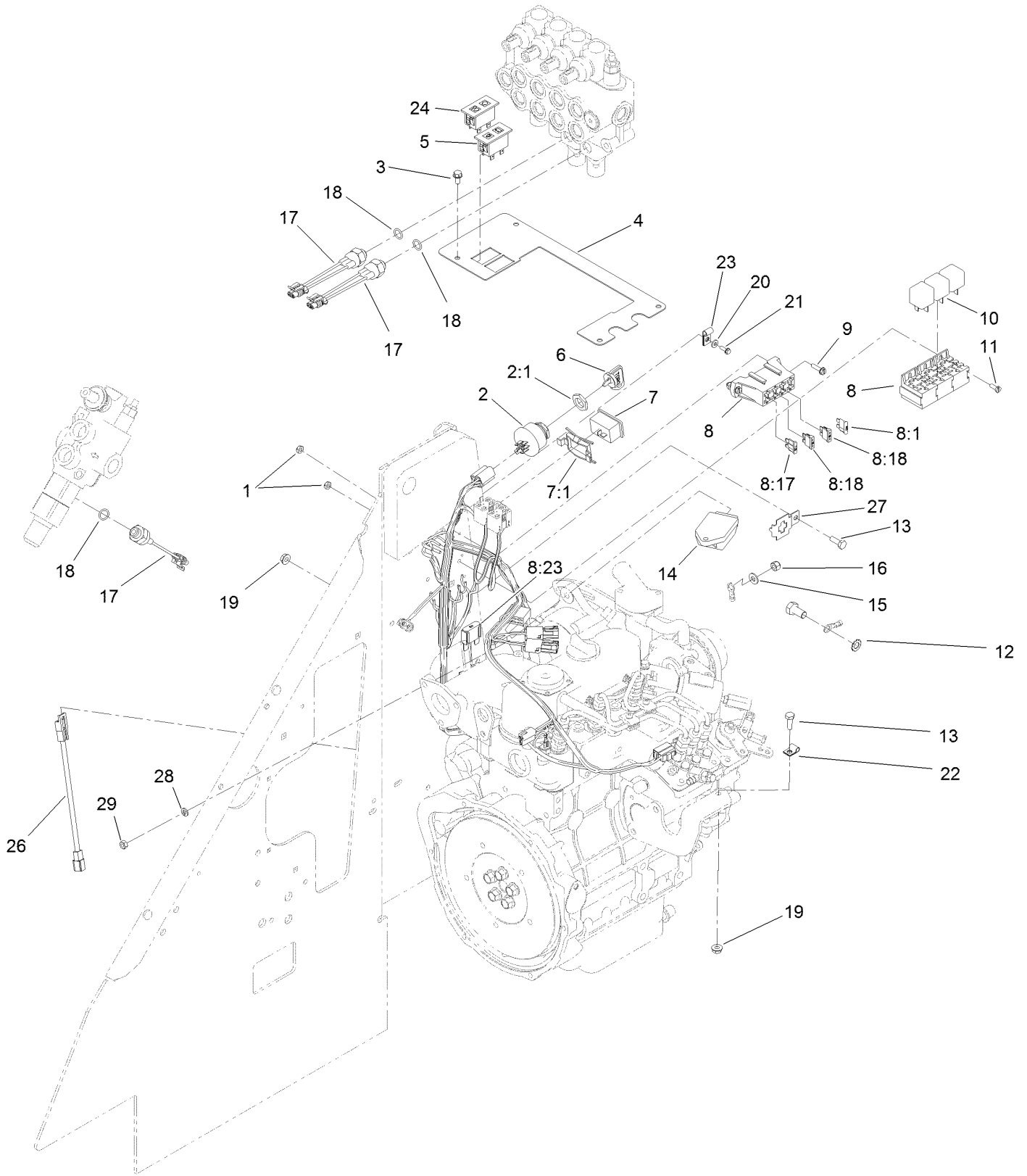
Battery Mount Assembly



Battery Mount Assembly (continued)

<i>Ref.</i>	<i>Part Number</i>	<i>Qty.</i>	<i>Description</i>	<i>Ref.</i>	<i>Part Number</i>	<i>Qty.</i>	<i>Description</i>
1	99-5035	2	Retainer-Battery	10	3296-42	2	Nut-Lock, NI
2	32144-70	2	Screw-HWHTF	11	99-5008-01	1	Retainer-Battery
3	98-2665-03	1	Mount-Battery	12	99-5039	1	Retainer-Battery
4	99-5030	1	Pad-Battery	13	100-1709	1	Cable-Battery, Negative
5	100-1708	1	Cable-Battery, Positive	14	104-7048	1	Cap-Housing
6	98-2670-03	1	Cover-Battery	15	3234-29	2	Screw-HHF
7	2412-133	2	Clamp-R	16	32148-7	2	Nut-Clinch
8	32144-14	4	Screw-HWHTF	17	3290-379	1	Tie-Cable
9	104-7050	1	Tube-Manual				

Switch, Hour Meter and Wire Harness Assembly



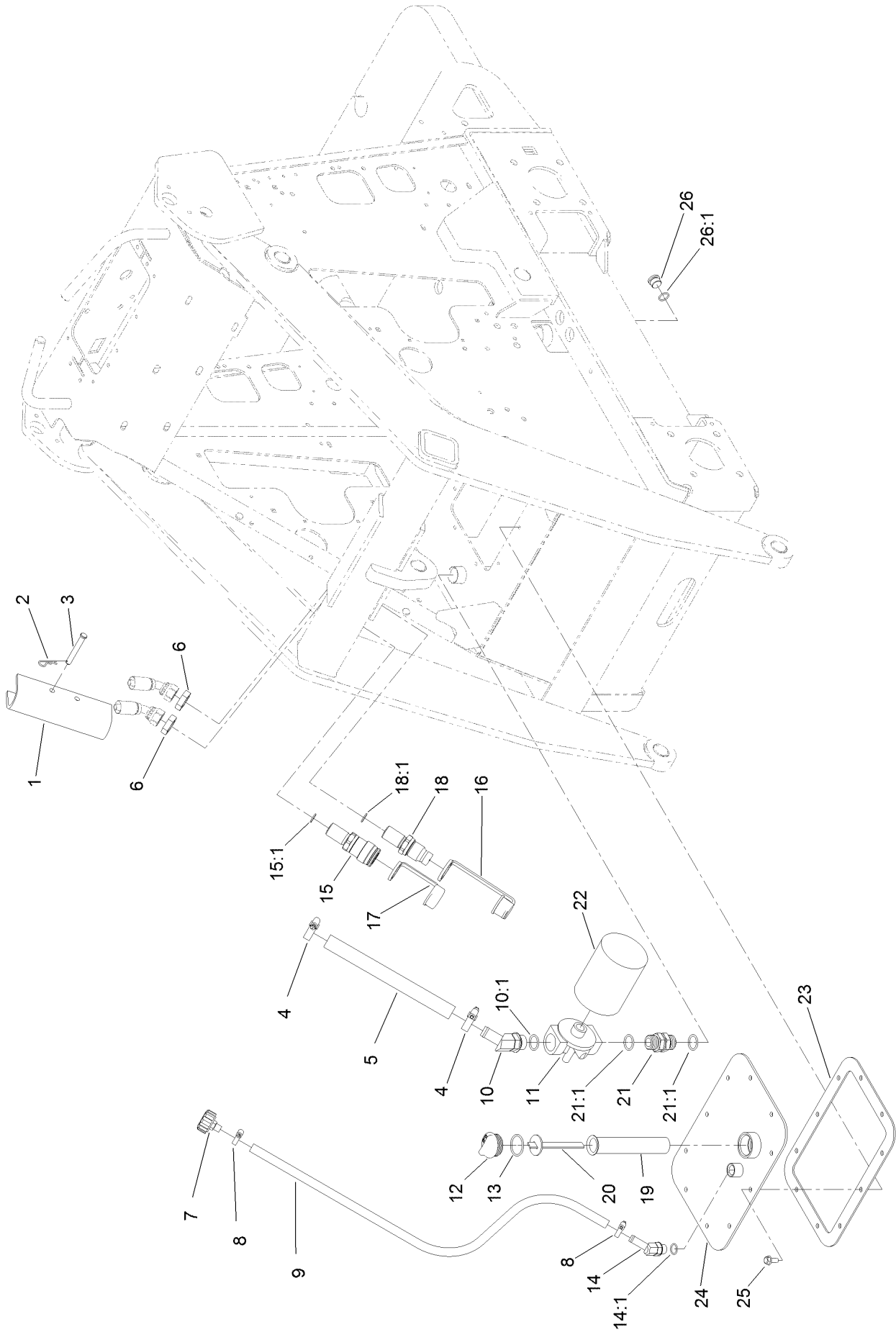
Switch, Hour Meter and Wire Harness Assembly (continued)

<i>Ref.</i>	<i>Part Number</i>	<i>Qty.</i>	<i>Description</i>	<i>Ref.</i>	<i>Part Number</i>	<i>Qty.</i>	<i>Description</i>
1	3296-12	4	Nut-Lock, NI	12	3255-9	1	Washer-Lock
2	104-2541	1	Ignition Switch ASM	13	321-4	2	Screw-HH
2:1	218-461	1	Nut-HH	14	107-9097	1	Controller-Glow
2:2	3254-5	1	Washer-Lock ■●	15	100-2215	1	Washer-Spring
3	32144-4	4	Screw-HWH	16	100-2171	1	Nut-Hex
4	105-8351-03	1	Plate-Cover	17	72-4310	3	Switch-Ball
5	100-8070	1	Lamp-Warning	18	237-42	3	O-Ring
6	63-8360	2	Key-Ignition	19	32128-33	2	Nut-HF
7	104-7429	1	Hour Meter ASM	20	3256-21	1	Washer-Flat
7:1	104-4234	1	Clip-Mounting	21	32144-87	1	Screw-HWHTF
8	131-5710	1	Harness-Wire	22	2412-31	1	Clamp-Boden
8:1	99-6124	1	Fuse-40 Amp	23	2412-72	1	Clip-Closed, Insulated
8:17	114241	1	Fuse-Blade, 7.5 Amp	24	100-8071	1	Lamp-Warning
8:18	109355	2	Fuse-Blade, 15 Amp	26	112-2463	1	Harness-Link, Fusible
8:23	94-8002	1	Fuse-Blade, 50 Amp	27	114-5502	1	Clip-Fuse
9	32105-13	2	Screw-HWH	28	43-5930	1	Washer-Lock, Spring
10	98-7249	3	Relay	29	43-2830	1	Nut-Hex
11	32105-8	1	Screw-SHH				

● Not illustrated

■ Not used for this configuration

Cylinder Lock and Hydraulic Assembly

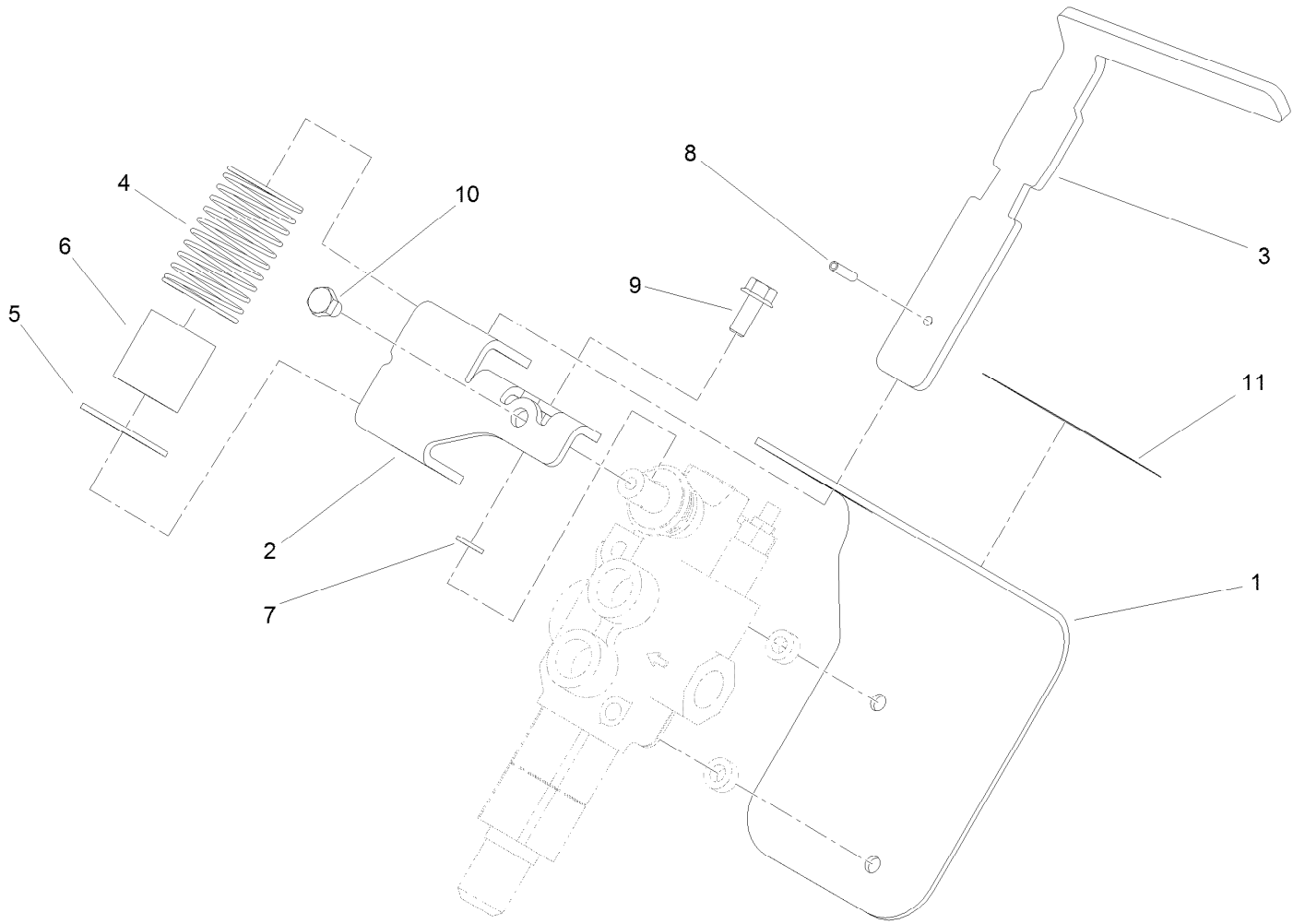


Cylinder Lock and Hydraulic Assembly (continued)

<i>Ref.</i>	<i>Part Number</i>	<i>Qty.</i>	<i>Description</i>	<i>Ref.</i>	<i>Part Number</i>	<i>Qty.</i>	<i>Description</i>
1	98-4675-01	2	Lock-Cylinder	15:1	237-65	1	O-Ring
2	3290-467	2	Pin-Hair	16	100-8815	1	Cap-Dust, Nipple
3	283-52	2	Pin-Clevis	17	100-8816	1	Cap-Dust, Coupler
4	2412-129	2	Clamp-Hose	18	105-8395	1	Bulkhead Nipple ASM
5	98-4745	1	Hose-HYD, Suction, Hi	18:1	237-65	1	O-Ring
6	340-74	2	Nut-Lock, Bulkhead	18:2	100-6120	1	Seal Kit ●
7	68-6150	1	Breather	19	61-2790	1	Filter-Screen
8	2412-36	2	Clamp-Hose	20	100-2097	1	Dipstick-Oil
9	98-2708	1	Hose-Vent	21	98-9906	1	Fitting-Thread, Straight
10	354-127	1	Fitting-Elbow45	21:1	237-81	2	O-Ring
10:1	237-81	1	O-Ring	22	54-0110	1	Filter-Oil, Transmission
11	92-5821	1	Head-Filter	23	98-9927	1	Gasket-Cover
12	93-7498	1	Plug-Plastic	24	100-1713-01	1	Cover
13	237-123	1	O-Ring	25	98-9940	10	Screw-HHF
14	354-126	1	Fitting-Elbow, 45	26	353-988	1	Plug-Hex
14:1	237-79	1	O-Ring	26:1	237-79	1	O-Ring
15	105-8394	1	Bulkhead Coupler ASM				

● Not illustrated

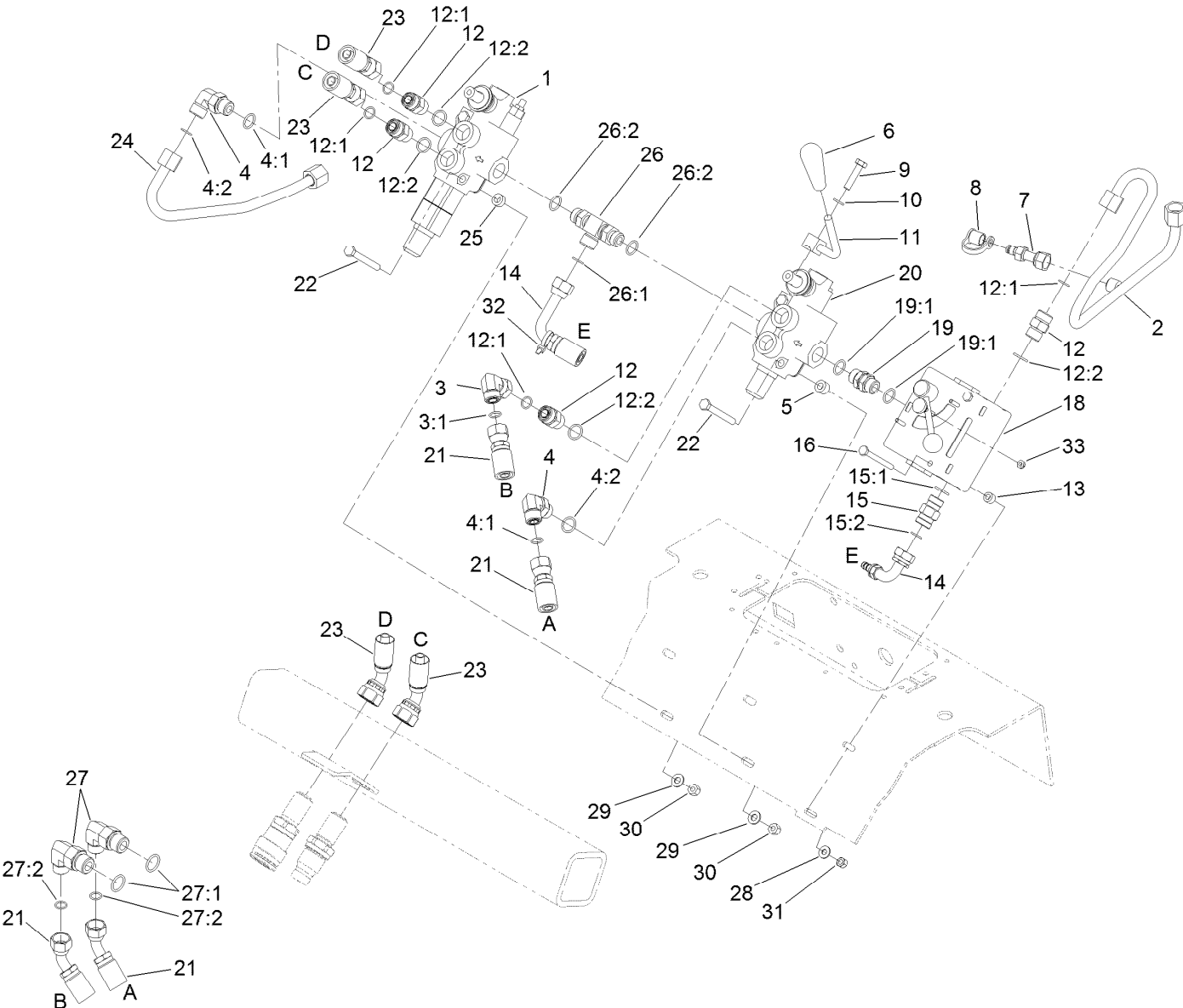
Auxiliary Control Lever Assembly



Auxiliary Control Lever Assembly (continued)

<i>Ref.</i>	<i>Part Number</i>	<i>Qty.</i>	<i>Description</i>	<i>Ref.</i>	<i>Part Number</i>	<i>Qty.</i>	<i>Description</i>
1	110-0121-03	1	Bracket-Auxiliary	7	3253-4	1	Washer-Lock
2	114-1263-03	1	Mount-Lever, Auxiliary	8	32121-3	1	Pin-Spring
3	110-0123	1	Handle-Lever, Auxiliary	9	33104-020	1	Screw-HHF
4	110-0124	1	Spring	10	33114-010	1	Screw-HH
5	110-0125	1	Retainer-Spring, Auxiliary	11	108-4723	1	Decal-Auxiliary, CE
6	110-0160	1	Tube-Spring				

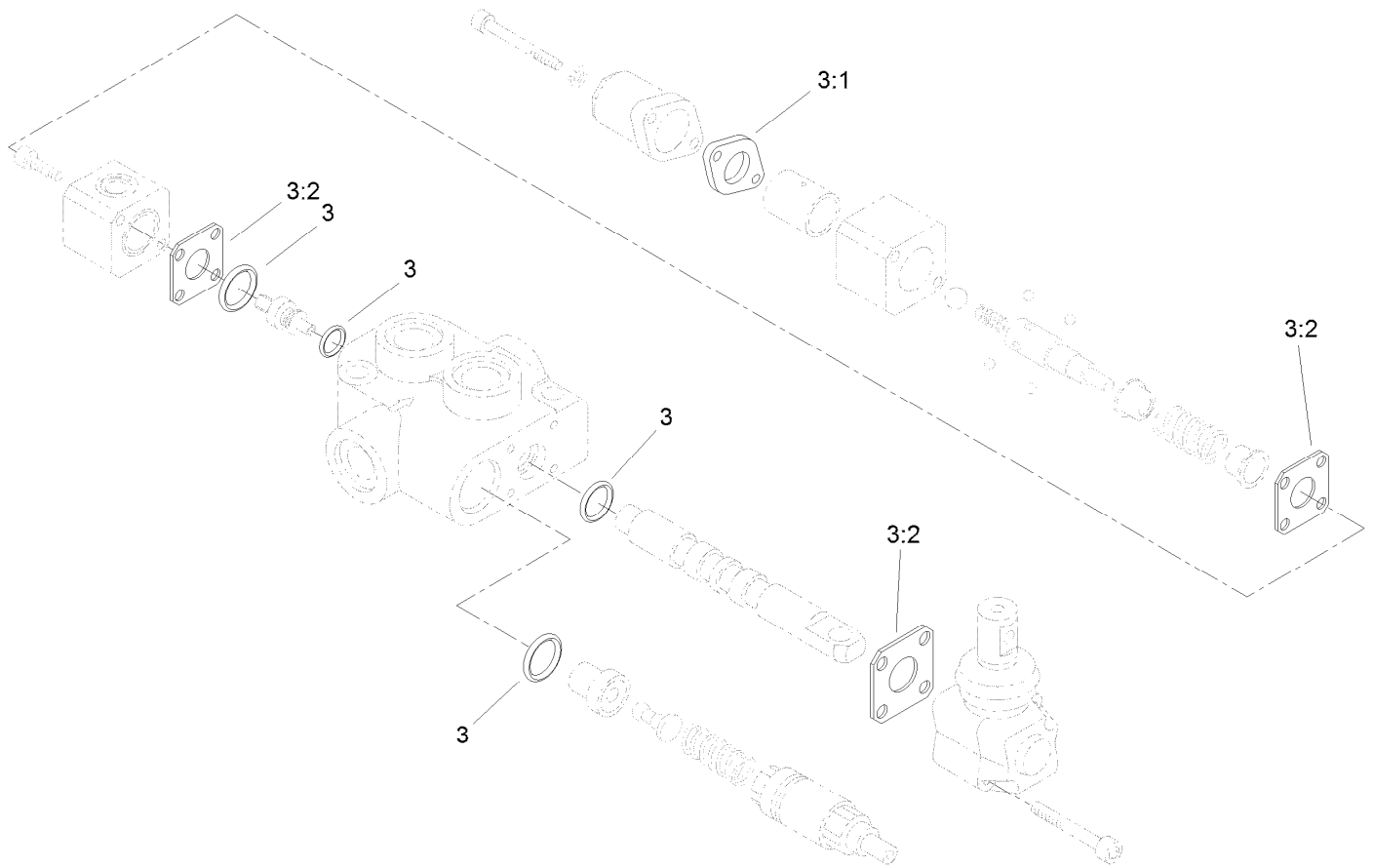
Selector Valve and Auxiliary Valve Assembly



Selector Valve and Auxiliary Valve Assembly (continued)

<i>Ref.</i>	<i>Part Number</i>	<i>Qty.</i>	<i>Description</i>	<i>Ref.</i>	<i>Part Number</i>	<i>Qty.</i>	<i>Description</i>
1	99-3077	1	Valve-HYD, Auxiliary	16	321-14	2	Screw-HH
2	105-7878	1	Tube-HYD	18	104-4221	1	HYD Valve Kit
3	94-6031	1	Elbow-90	19	95-3209	1	Fitting-Thread, Straight
3:1	237-30	1	O-Ring	19:1	237-79	2	O-Ring
4	340-98	2	Fitting-Elbow, 90 DEG	20	99-3072	1	Valve-Selector, HYD
4:1	237-79	1	O-Ring	21	100-1730	2	Hose-Pump, HYD
4:2	237-30	1	O-Ring	22	322-13	4	Screw-HH
5	98-4695	2	Spacer	23	100-8817	2	Hose-HYD
6	98-0152	1	Knob-Tapered	24	105-7879	1	Tube-HYD
7	86-5480	1	Nipple-Test	25	100-2085	2	Spacer
8	354-79	1	Cap-Dust	26	98-9079	1	Adapter-Tee, Adjustable
9	33114-035	1	Screw-HH	26:1	237-30	1	O-Ring
10	3253-4	1	Washer-Lock	26:2	237-79	2	O-Ring
11	108-9709-03	1	Lever-Control	27	340-105	2	Fitting-Elbow, 90 DEG
12	340-4	4	Fitting-Straight	27:1	237-80	1	O-Ring
12:1	237-30	1	O-Ring	27:2	237-30	1	O-Ring
12:2	237-79	1	O-Ring	28	3256-22	2	Washer-Flat
13	98-4799	2	Spacer	29	3256-23	4	Washer-Plain
14	100-2245	1	Hose-HYD	30	3296-29	4	Nut-Lock, NI
15	98-4735	1	Valve-Check, HYD	31	3296-42	2	Nut-Lock, NI
15:1	237-30	1	O-Ring	32	3290-379	18	Tie-Cable
15:2	237-79	1	O-Ring	33	3296-27	1	Nut-Lock, NI

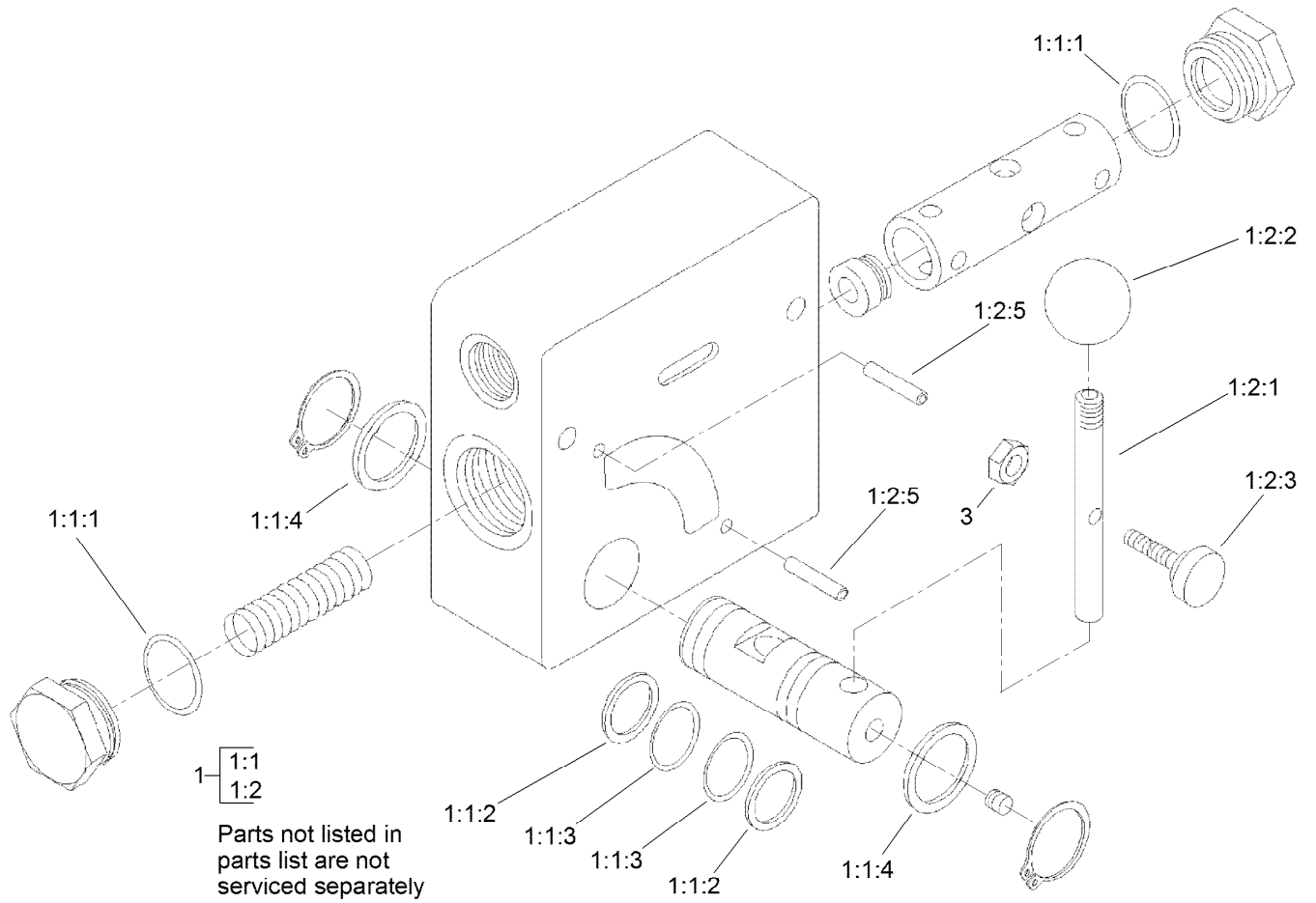
Auxiliary Hydraulic Valve Assembly No. 99-3077



Auxiliary Hydraulic Valve Assembly No. 99-3077 (continued)

<i>Ref.</i>	<i>Part Number</i>	<i>Qty.</i>	<i>Description</i>
3	99-4390	1	Seal Kit
3:1	99-3074	4	Gasket
3:2	99-3075	8	Gasket

Hydraulic Valve Assembly No. 104-4221

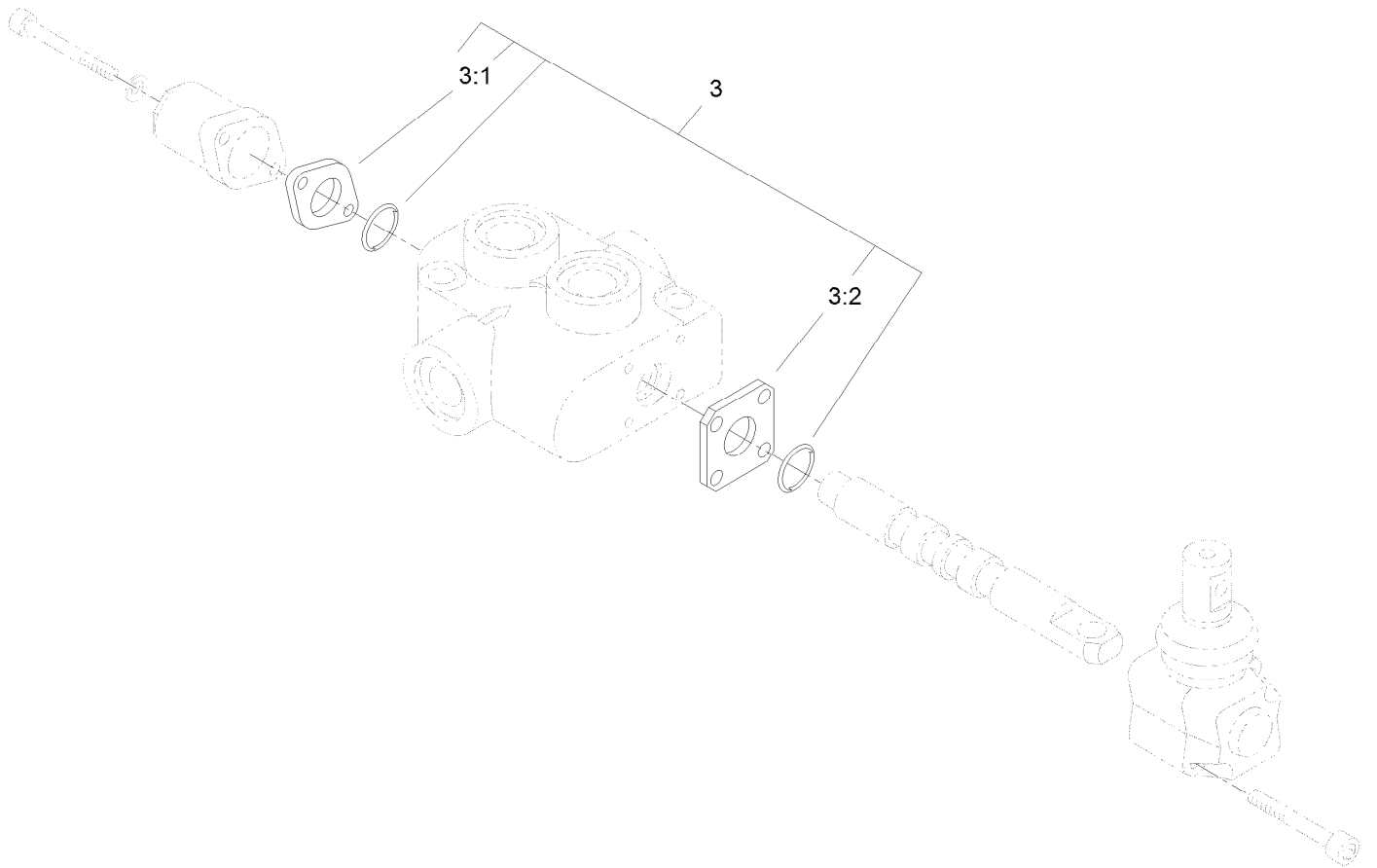


Hydraulic Valve Assembly No. 104-4221 (continued)

<i>Ref.</i>	<i>Part Number</i>	<i>Qty.</i>	<i>Description</i>	<i>Ref.</i>	<i>Part Number</i>	<i>Qty.</i>	<i>Description</i>
1		1	Valve-Flow, Hydraulic ●	1:2	98-9098	1	Handle Hardware Kit
1:1	104-4231	1	Seal Kit	1:2:1		1	Handle ●
1:1:1		2	O-Ring ●	1:2:2		1	Knob ●
1:1:2		2	Back-Up ●	1:2:3		1	Screw-Thumb ●
1:1:3		2	O-Ring ●	1:2:5		2	Pin-Roll ●
1:1:4		2	Quad Ring ●	3	3296-27	1	Nut-Lock, NI

● Not serviced separately

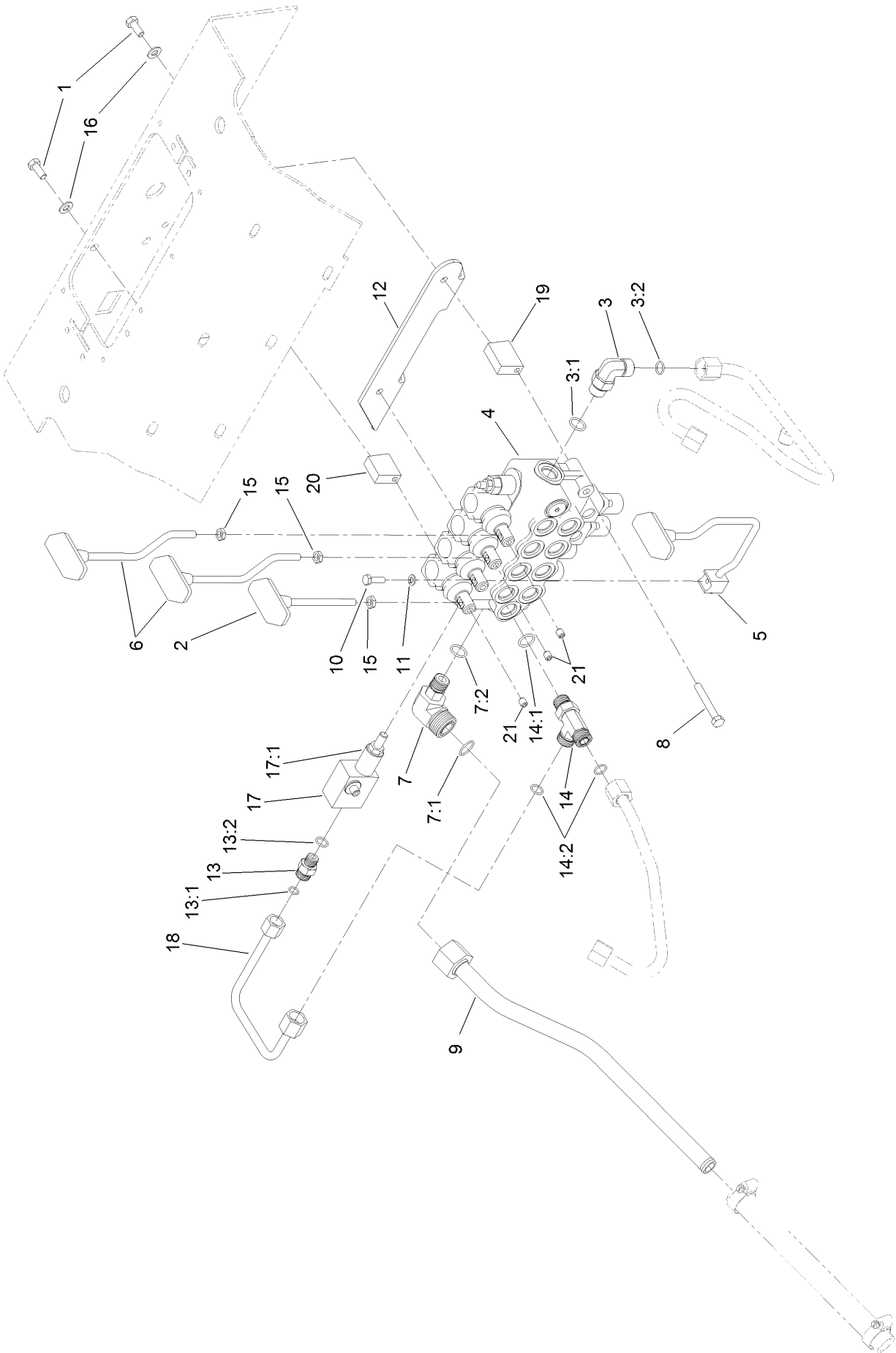
Hydraulic Selector Valve Assembly No. 99-3072



Hydraulic Selector Valve Assembly No. 99-3072 (continued)

<i>Ref.</i>	<i>Part Number</i>	<i>Qty.</i>	<i>Description</i>
3	99-4390	1	Seal Kit
3:1	99-3074	4	Gasket
3:2	99-3075	8	Gasket

Four Spool Valve Assembly

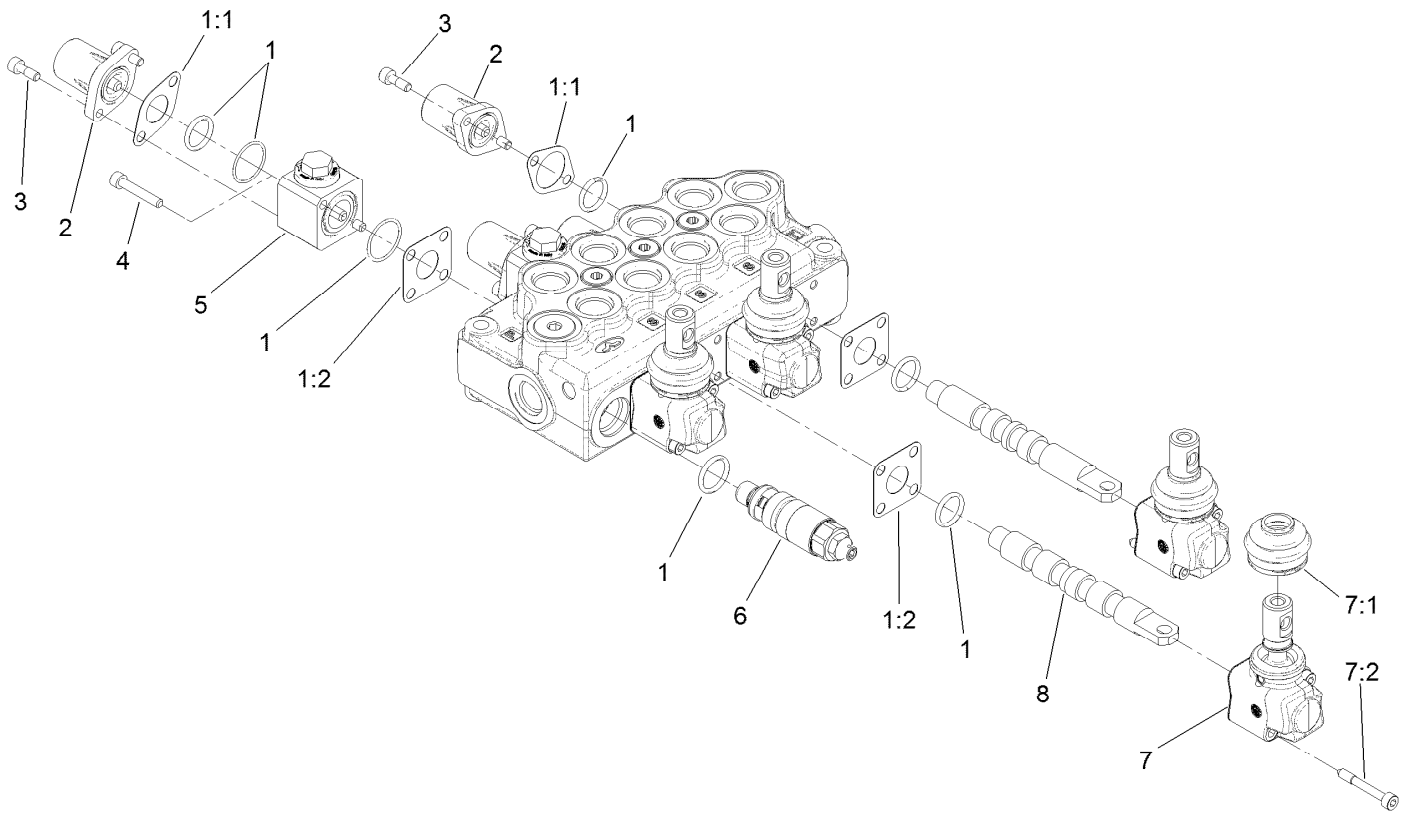


Four Spool Valve Assembly (continued)

<i>Ref.</i>	<i>Part Number</i>	<i>Qty.</i>	<i>Description</i>	<i>Ref.</i>	<i>Part Number</i>	<i>Qty.</i>	<i>Description</i>
1	322-3	3	Screw-HH	13	340-2	1	Fitting-Straight
2	105-7881	1	Lever-Cylinder	13:1	237-22	1	O-Ring
3	340-98	1	Fitting-Elbow, 90 DEG	13:2	237-42	1	O-Ring
3:1	237-79	1	O-Ring	14	340-109	1	Fitting-Tee
3:2	237-30	1	O-Ring	14:1	237-79	1	O-Ring
4	130-7589	1	HYD Four Spool Valve ASM	14:2	237-30	2	O-Ring
5	106-8165	1	Lever-Control	15	42-9580	3	Nut-Hex
6	104-5733	2	Lever-Drive	16	3256-23	3	Washer-Plain
7	92-5696	1	Fitting-Elbow, 90 DEG	17	105-7882	1	Relief Valve ASM
7:1	237-58	1	O-Ring	17:1	105-8358	1	Cartridge-Valve, Relief
7:2	237-79	1	O-Ring	17:2	105-8357	1	Seal Kit ●
8	322-11	3	Screw-HH	18	105-7866	1	Line-HYD
9	106-8177	1	Tube-Tank, HYD	19	105-8354	2	Spacer-Lower V
10	321-5	1	Screw-HH	20	105-7870	1	Spacer-Upper V
11	3253-3	1	Washer-Lock	21	105-4068	3	Screw-Set,Cphs
12	104-4222-03	1	Bracket-Cover, Mount				

● Not illustrated

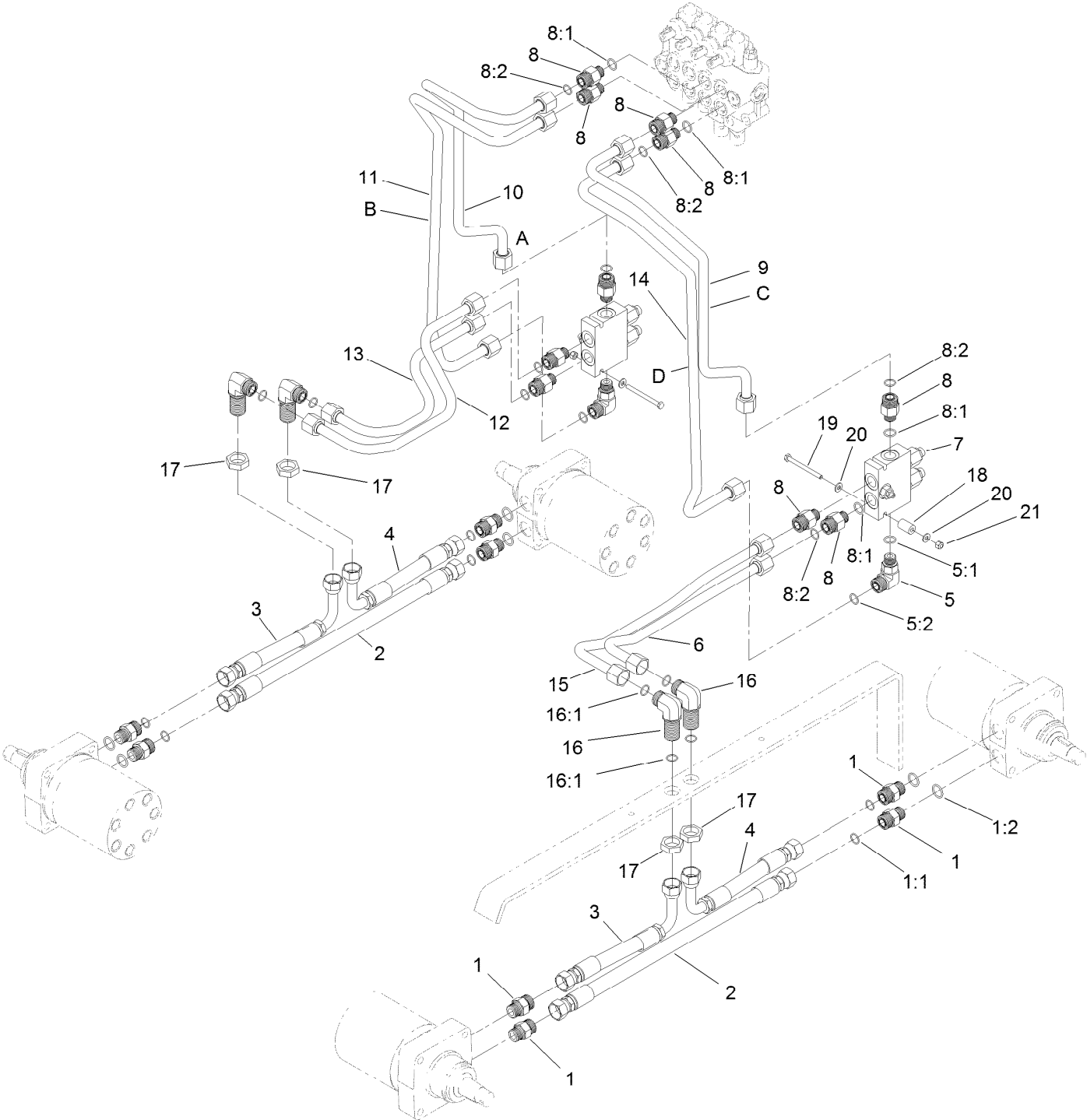
Four Spool Valve Assembly No. 130-7589



Four Spool Valve Assembly No. 130-7589 (continued)

<i>Ref.</i>	<i>Part Number</i>	<i>Qty.</i>	<i>Description</i>	<i>Ref.</i>	<i>Part Number</i>	<i>Qty.</i>	<i>Description</i>
1	99-4390	1	Seal Kit	5	144-7359	2	Block-Switch Mount
1:1	99-3074	4	Gasket	6	100-8805	1	Valve-Relief
1:2	99-3075	8	Gasket	7	100-8807	4	Operator ASM
2	100-8801	4	High Force Spring Kit	7:1	100-8829	1	Boot
2	100-8800	4	Standard Spring Kit	7:2	100-8806	2	Screw
3	100-8802	8	Screw-Cap, End	8	130-2839	4	Valve-Spool
4	100-8803	4	Screw				

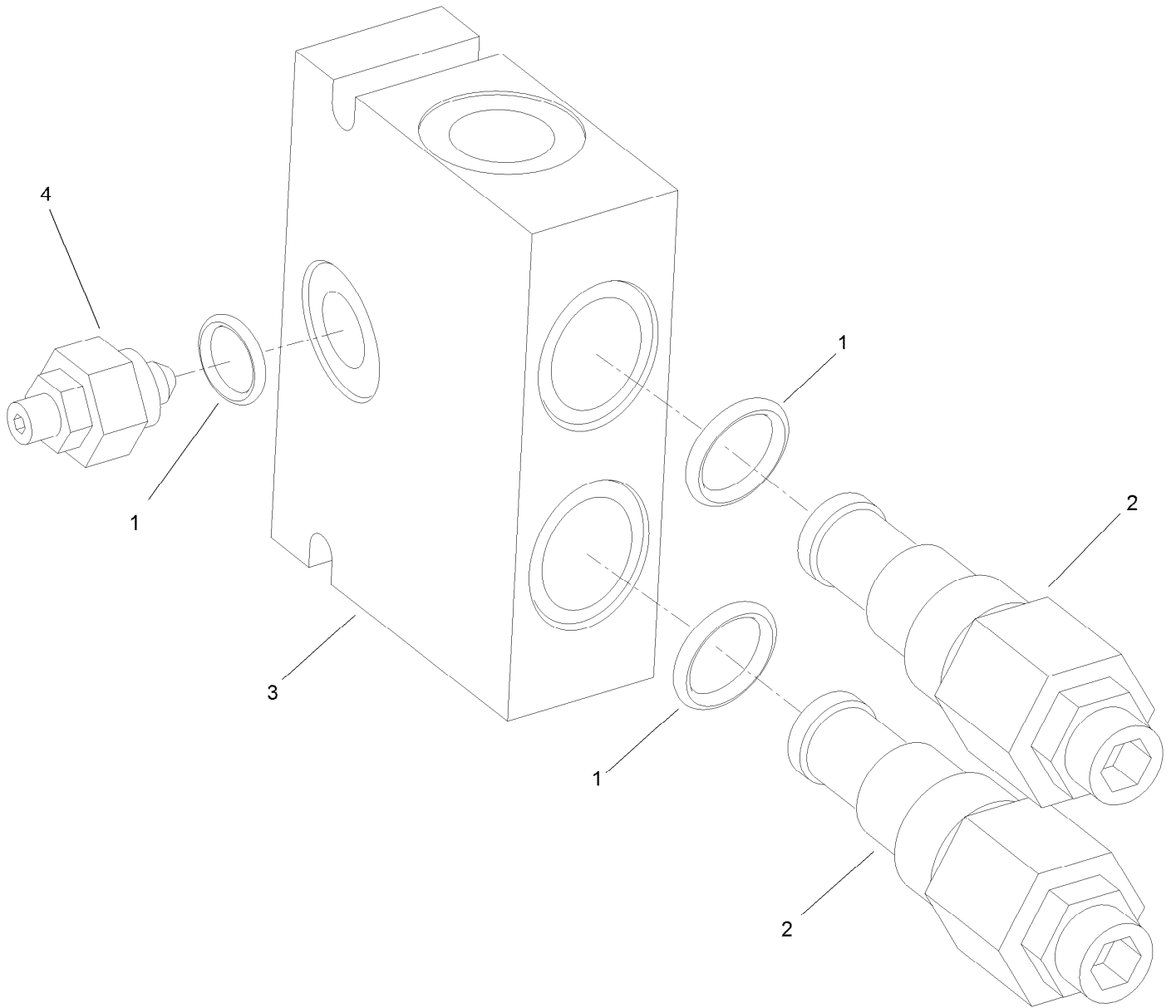
Hydraulic Motor Assembly



Hydraulic Motor Assembly (continued)

<i>Ref.</i>	<i>Part Number</i>	<i>Qty.</i>	<i>Description</i>	<i>Ref.</i>	<i>Part Number</i>	<i>Qty.</i>	<i>Description</i>
1	340-7	8	Fitting-Straight	9	108-9729	1	Tube-HYD
1:1	237-65	1	O-Ring	10	108-9727	1	Tube-HYD
1:2	237-80	1	O-Ring	11	108-9726	1	Tube-HYD
2	99-3012	2	Hose-HYD	12	99-3025	1	Tube-HYD
3	99-3010	2	Hose-HYD	13	99-3028	1	Tube-HYD
4	99-3011	2	Hose-HYD	14	108-9725	1	Tube-HYD
5	340-153	2	Fitting-Elbow, 90 DEG	15	99-3026	1	Tube-HYD
5:1	237-79	1	O-Ring	16	340-72	4	Fitting-Bulkhead, 90 DEG
5:2	237-151	1	O-Ring	16:1	237-65	2	O-Ring
6	99-3022	1	Tube-HYD	17	340-74	4	Nut-Lock, Bulkhead
7	99-3040	2	HYD Counterbalance Valve ASM	18	99-3057	2	Spacer-Valve
8	340-155	10	Fitting-Straight	19	321-23	2	Screw-HH
8:1	237-79	1	O-Ring	20	3256-22	4	Washer-Flat
8:2	237-151	1	O-Ring	21	3296-42	2	Nut-Lock, NI

Counterbalance Valve Assembly No. 99-3040

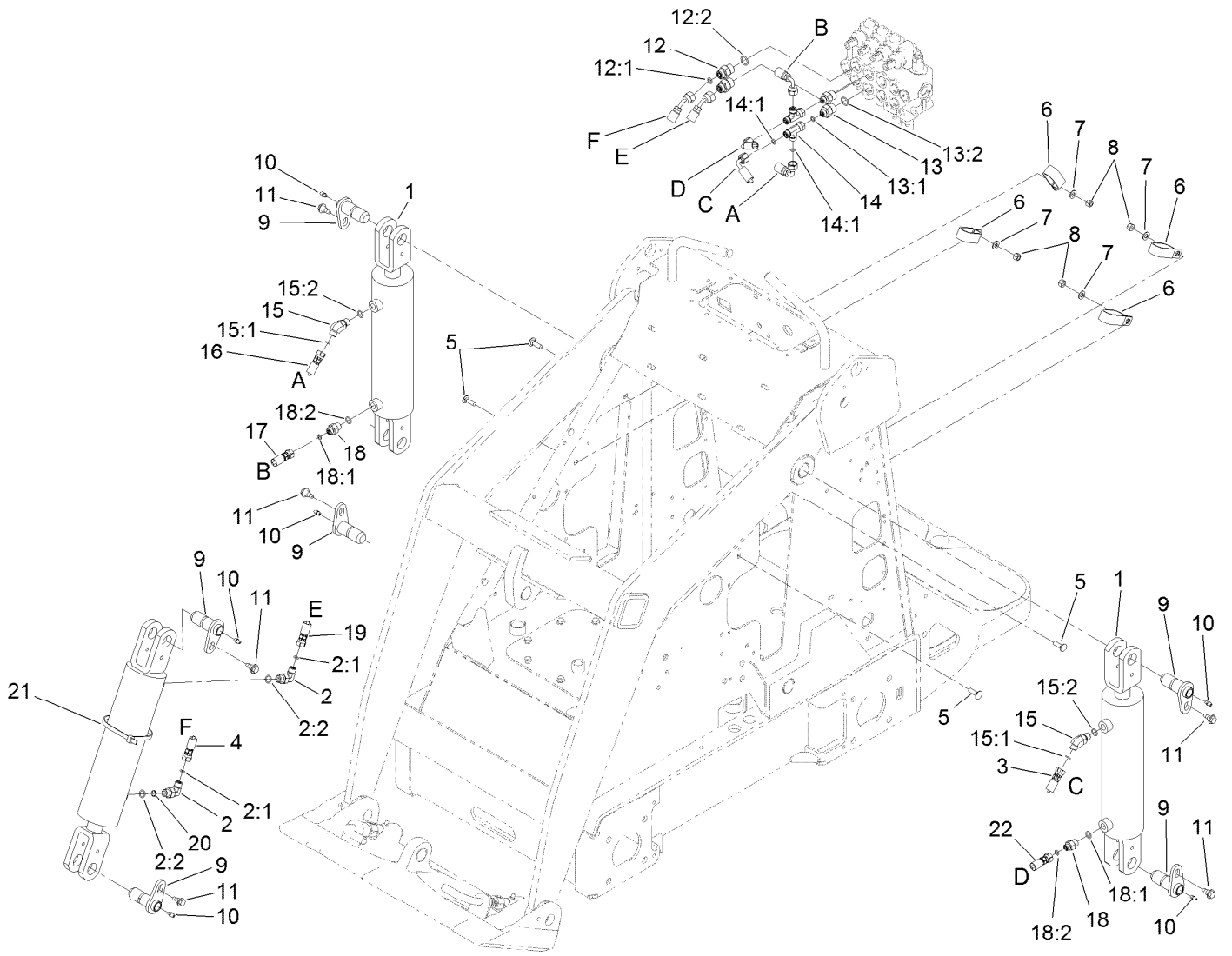


Counterbalance Valve Assembly No. 99-3040 (continued)

<i>Ref.</i>	<i>Part Number</i>	<i>Qty.</i>	<i>Description</i>
1	105-4099	1	Seal Kit
2	99-3271	2	Valve-Cartridge

<i>Ref.</i>	<i>Part Number</i>	<i>Qty.</i>	<i>Description</i>
3	100-8864	1	Manifold ASM
4	100-8865	1	Needle Valve ASM

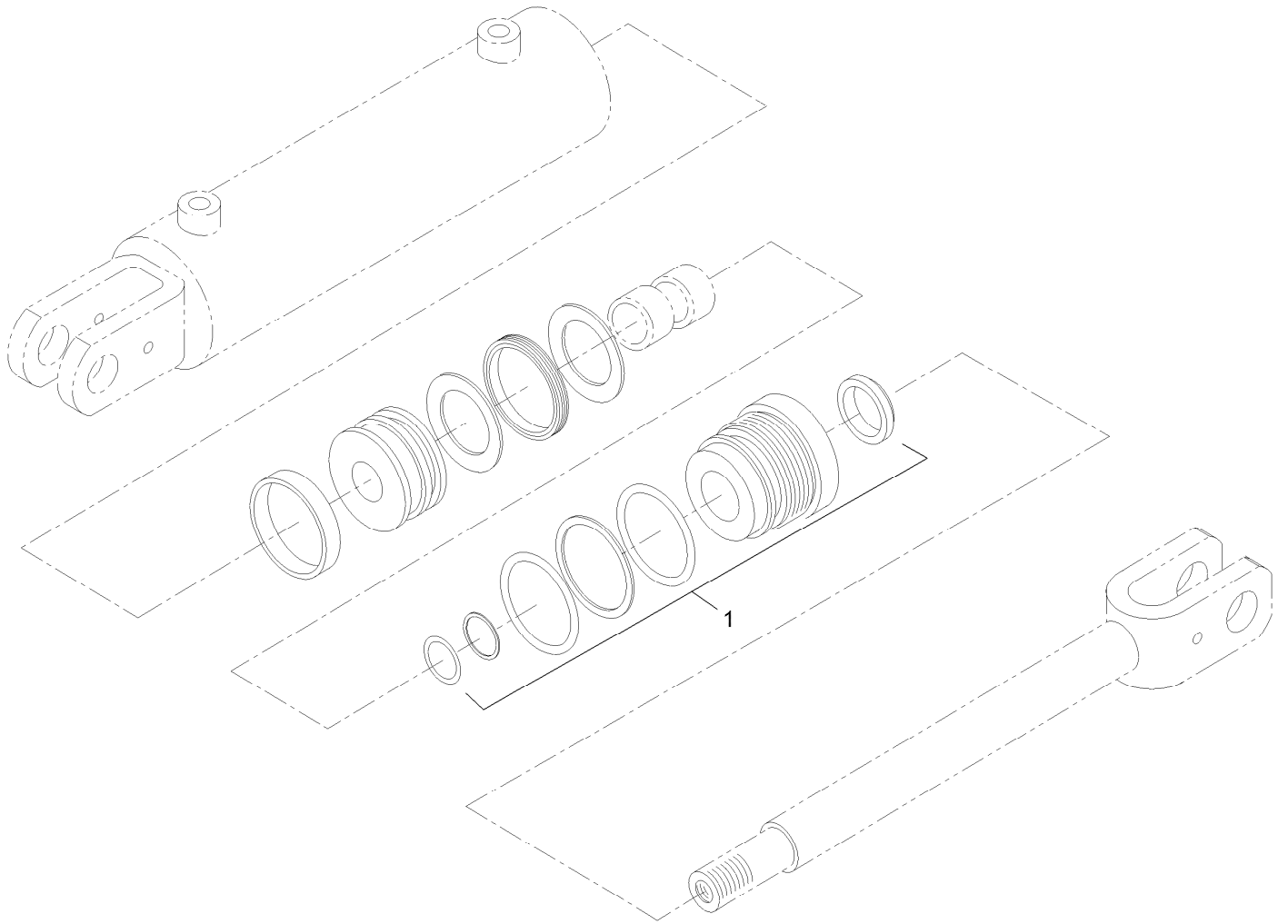
Hydraulic Cylinder and Pivot Pin Assembly



Hydraulic Cylinder and Pivot Pin Assembly (continued)

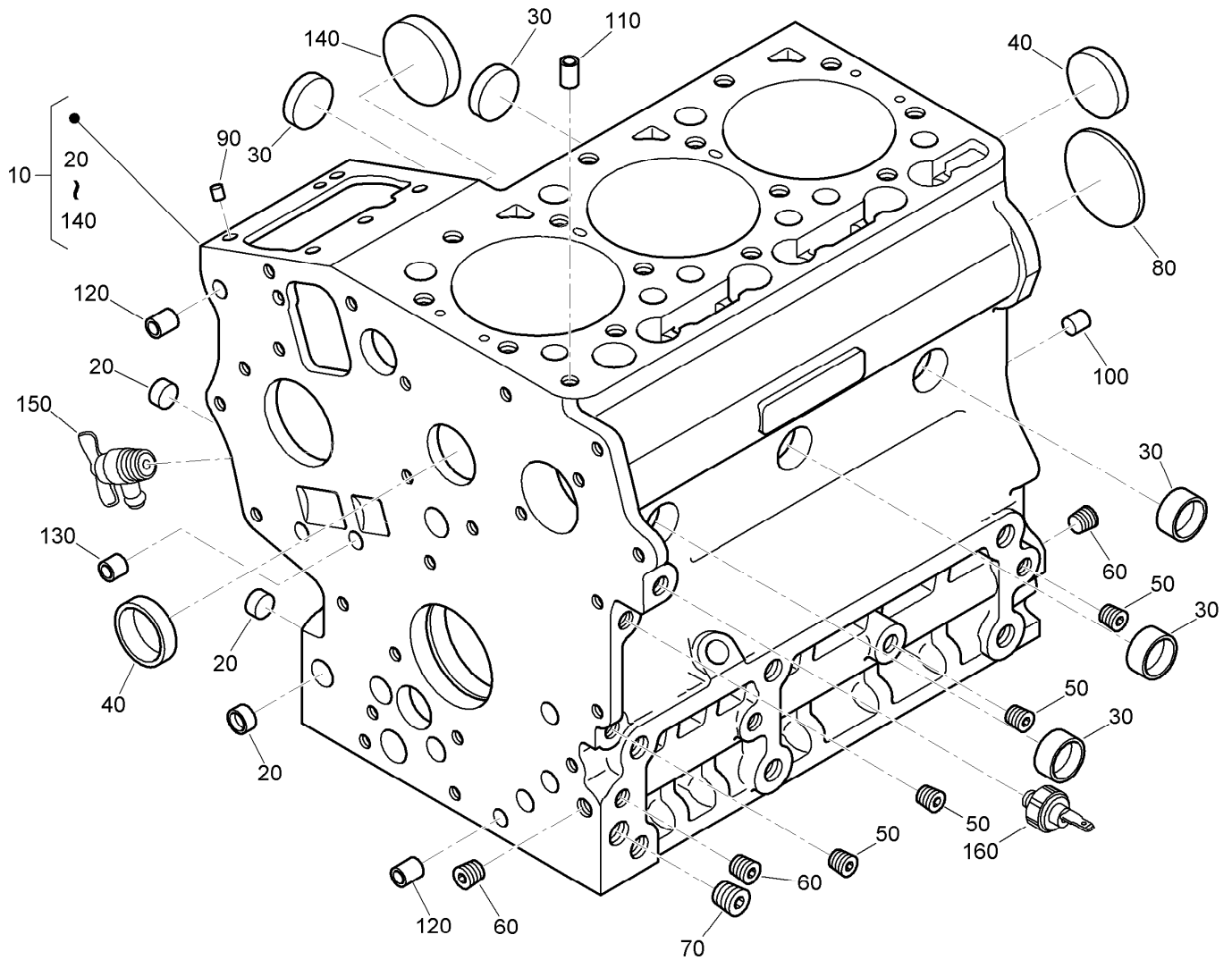
<i>Ref.</i>	<i>Part Number</i>	<i>Qty.</i>	<i>Description</i>	<i>Ref.</i>	<i>Part Number</i>	<i>Qty.</i>	<i>Description</i>
1	117-1834	3	Cylinder-HYD	13:1	237-79	1	O-Ring
2	340-82	2	Fitting-Elbow, 90 DEG	13:2	237-21	1	O-Ring
2:1	237-42	1	O-Ring	14	340-151	2	Fitting-Tee
2:2	237-21	1	O-Ring	14:1	237-75	2	O-Ring
3	106-3692	1	Hose-HYD	15	340-137	2	Fitting
4	98-4726	1	Hose-HYD	15:1	237-21	1	O-Ring
5	3230-2	4	Bolt-CARR	15:2	237-42	1	O-Ring
6	2412-137	4	Clamp-R, Double	16	98-4725	1	Hose-HYD
7	3256-23	4	Washer-Plain	17	100-1731	1	Hose-HYD, Right
8	3296-29	4	Nut-Lock, NI	18	340-1	2	Fitting-Straight
9	112-2609	6	Pin-Pivot	18:1	237-21	1	O-Ring
10	302-5	6	Fitting-Grease	18:2	237-42	1	O-Ring
11	99-5105	6	Screw-Shoulder	19	98-4727	1	Hose-HYD
12	340-3	2	Fitting-Straight	20	108-4714	1	Orifice-Port Insert, One Way
12:1	237-22	1	O-Ring	21	3334-945	1	Tie-Cable
12:2	237-79	1	O-Ring	22	131-0584	1	Hose-HYD HP
13	340-133	2	Fitting-STR				

Hydraulic Cylinder Assembly No. 117-1834



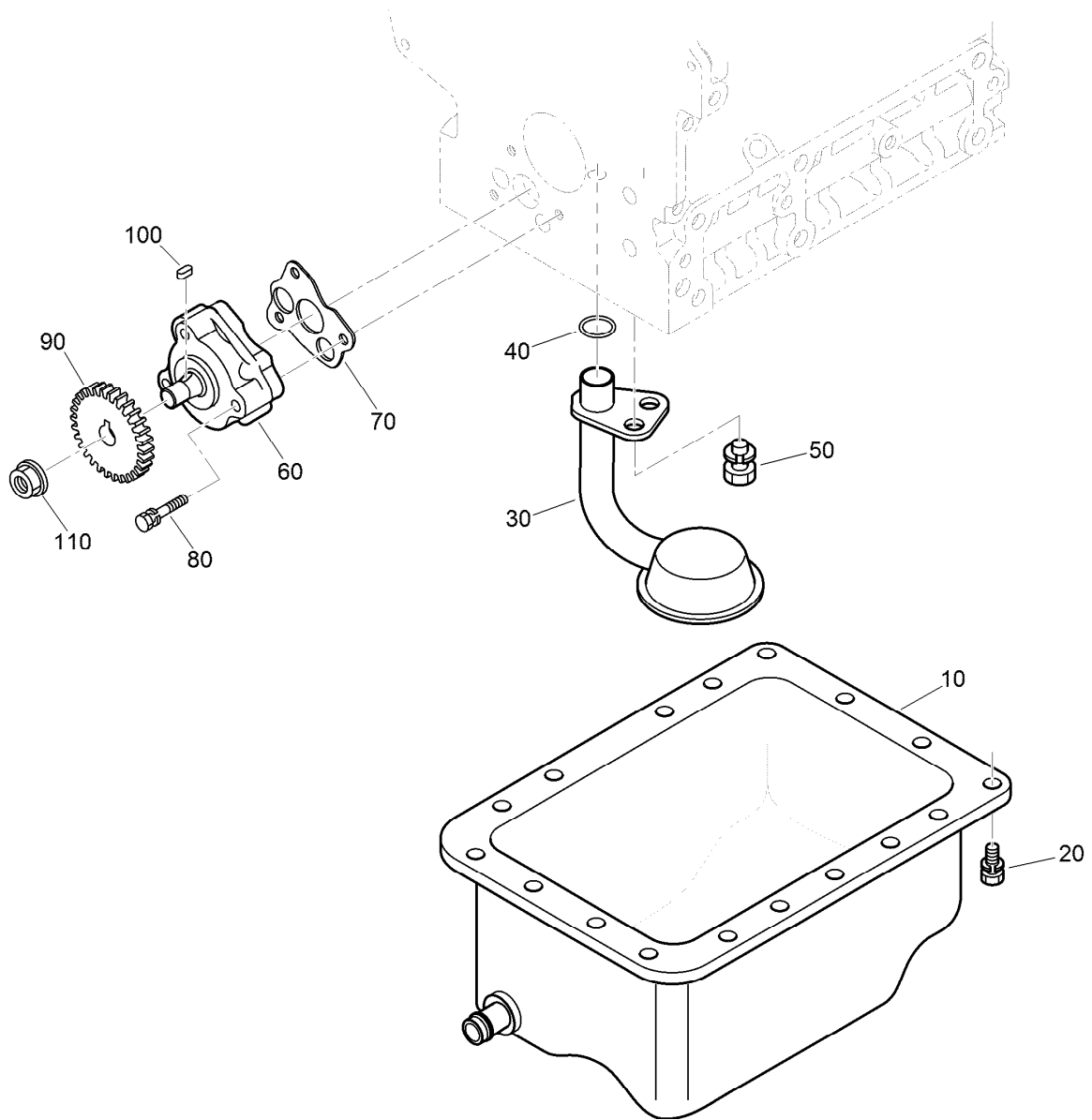
Hydraulic Cylinder Assembly No. 117-1834 (continued)

<i>Ref.</i>	<i>Part Number</i>	<i>Qty.</i>	<i>Description</i>
1	117-1837	1	Kit-Seal



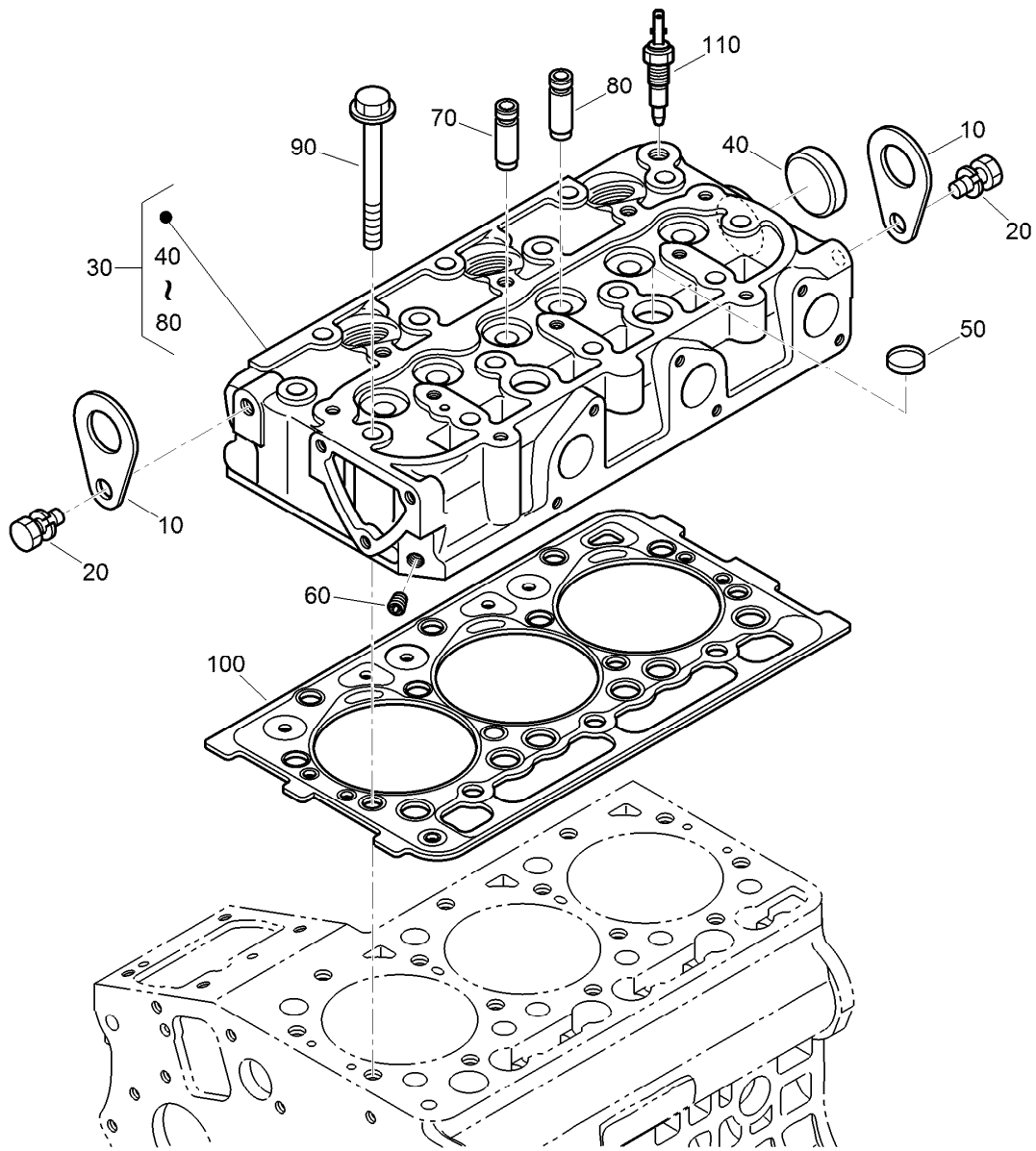
Crankcase Assembly

<i>Ref.</i>	<i>Part Number</i>	<i>Qty.</i>	<i>Description</i>	<i>Ref.</i>	<i>Part Number</i>	<i>Qty.</i>	<i>Description</i>
10	130-1503	1	Crankcase ASM	90	98-9375	2	Pin-Straight
20	100-2019	3	Cap-Sealing	100	98-9377	2	Pin-Straight
30	100-2020	5	Cap-Sealing	110	98-7506	1	Pin-Pipe
40	98-9398	2	Cap-Sealing	120	100-2051	2	Pin-Pipe
50	98-9687	5	Plug	130	100-2051	2	Pin-Pipe
60	98-7487	3	Plug	140	100-1991	1	Cover-Fuel, Camshaft
70	98-7488	1	Plug	150	120-3121	1	Draincock ASM
80	100-1851	1	Plug-Expansion	160	98-9416	1	Switch-Oil



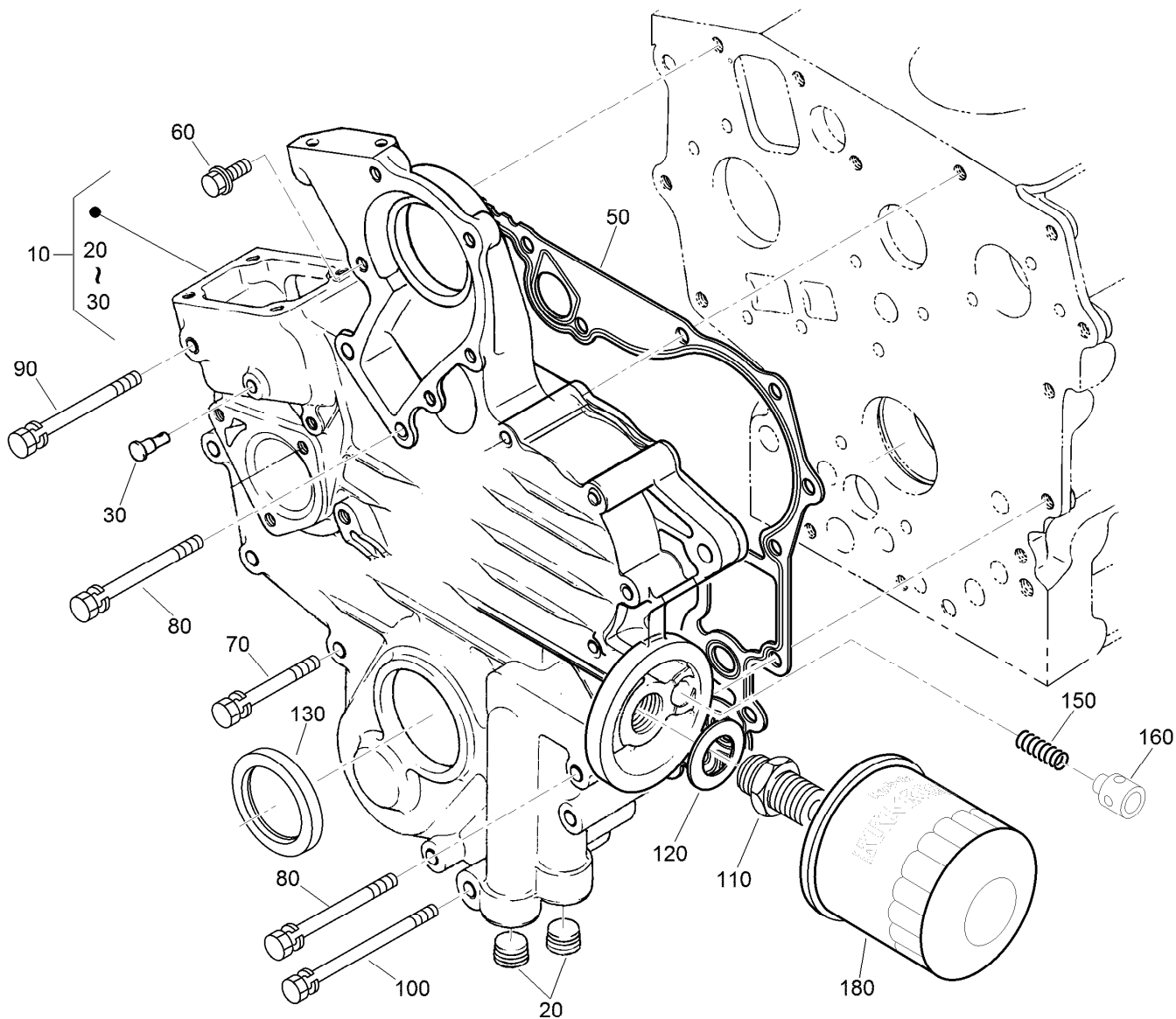
Oil Pan and Oil Pump Assembly

<i>Ref.</i>	<i>Part Number</i>	<i>Qty.</i>	<i>Description</i>
10	100-2239	1	Pan-Oil
20	98-9350	18	Bolt
30	100-2001	1	Strainer-Pickup, Oil
40	105-3776	1	O-Ring
50	100-9195	1	Bolt
60	100-2002	1	Oil Pump ASM
70	100-2003	1	Gasket-Pump, Oil
80	100-1923	3	Bolt
90	130-1419	1	Gear-Drive, Oil Pump
100	98-7658	1	Key-Feather
110	120-5822	1	Nut-Flange



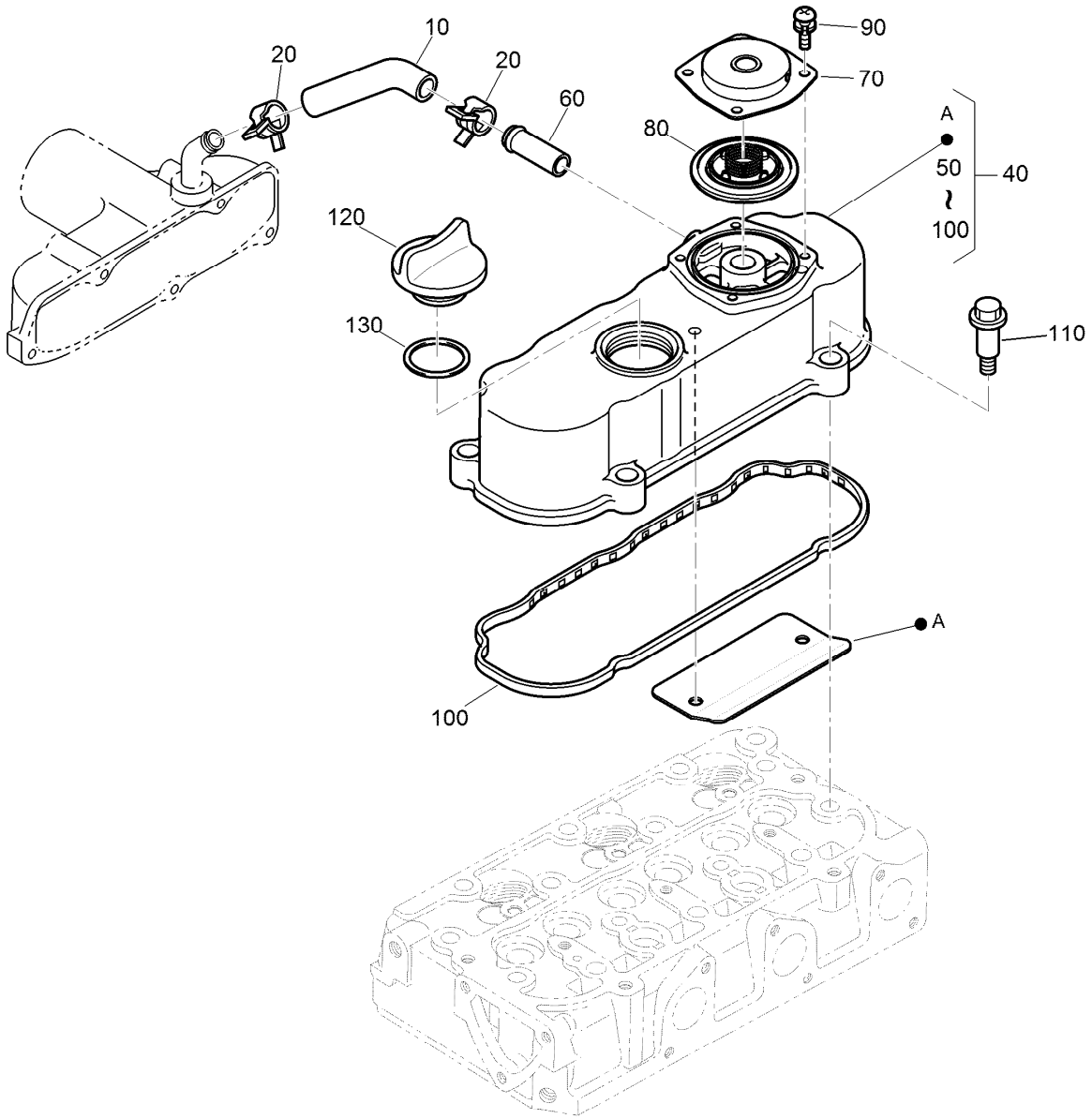
Cylinder Head Assembly

<i>Ref.</i>	<i>Part Number</i>	<i>Qty.</i>	<i>Description</i>
10	98-7531	2	Hook-Engine
20	100-9195	2	Bolt
30	130-1524	1	Cylinder Head ASM
40	105-3705	1	Cap-Sealing
50	98-9389	2	Cap-Sealing
60	98-9687	1	Plug
70	100-1882	3	Guide-Valve, Inlet
80	100-1883	3	Guide-Valve, Exhaust
90	100-1820	14	Bolt-Head, Cylinder
100	130-1525	1	Gasket-Head, Cylinder
110	99-3582	1	Thermoswitch



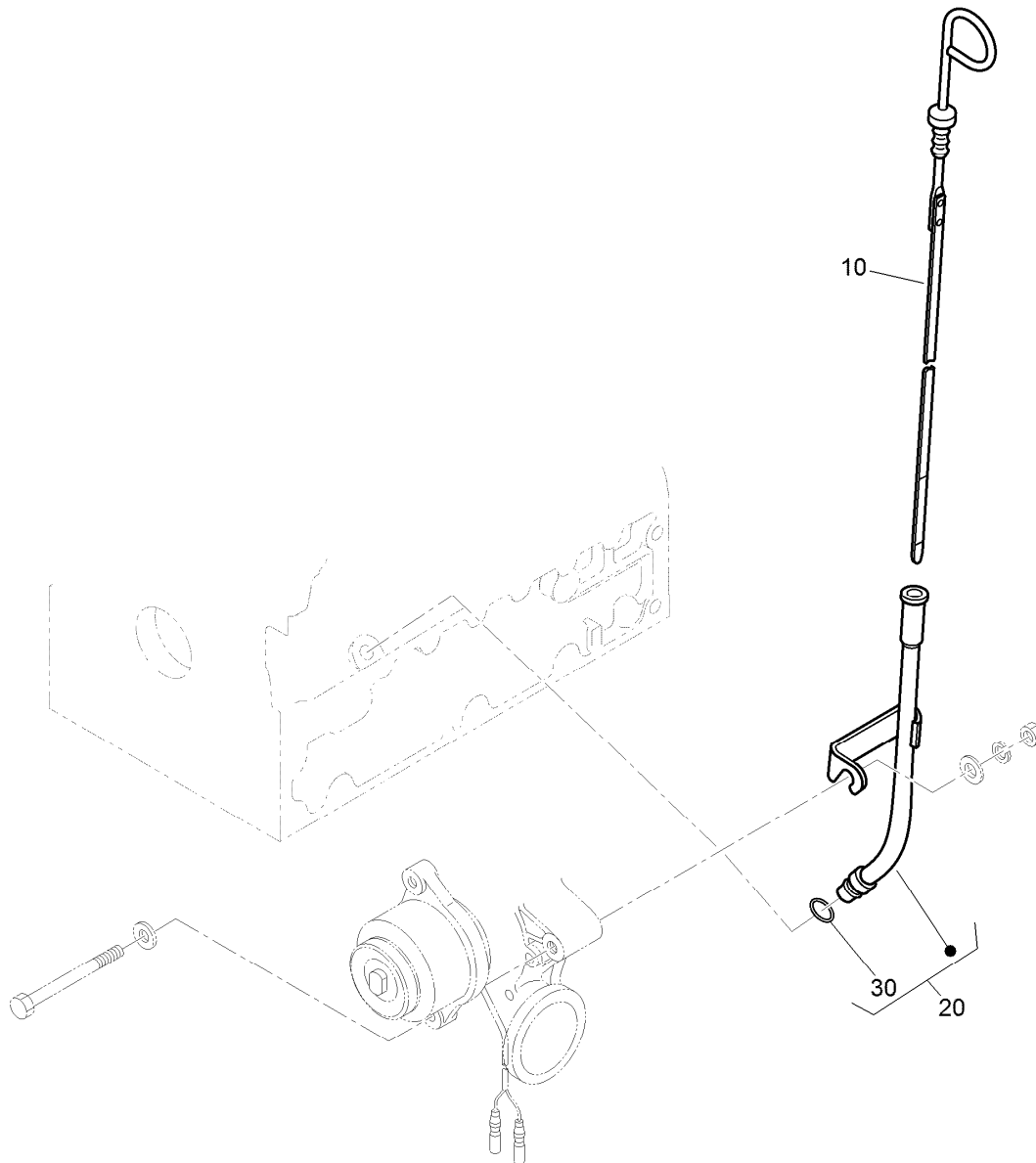
Gear Case and Oil Filter Cartridge Assembly

Ref.	Part Number	Qty.	Description
10	130-1293	1	Gear Case ASM
20	98-7488	2	Plug
30	100-1910	1	Pin-Spring, Start
50	130-1302	1	Gasket-Case, Gear
60	127-0403	1	Bolt-Flange
70	125-9063	8	Bolt-Sems
80	100-1922	5	Bolt
90	100-1766	1	Bolt
100	100-1767	1	Bolt
110	98-9388	1	Joint-Pipe
120	100-1926	1	Washer-Plain
130	132-4884	1	Seal, Oil
150	132-4885	1	Spring
160	130-1510	1	Valve-Relief
180	115-8189	1	Filter-Oil, Engine



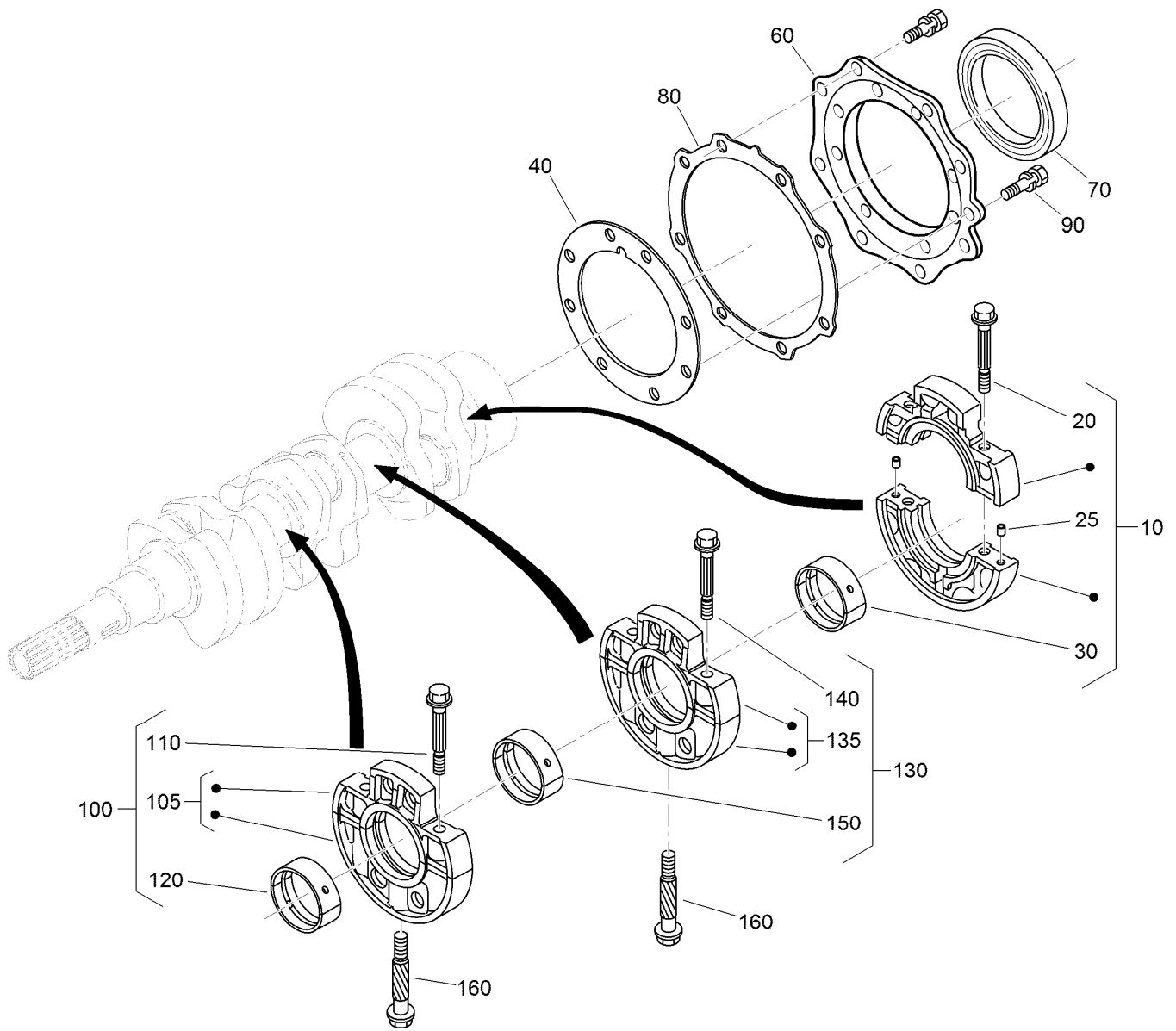
Cylinder Head Cover Assembly

<i>Ref.</i>	<i>Part Number</i>	<i>Qty.</i>	<i>Description</i>
10	130-1488	1	Tube-Breather
20	110-3712	2	Clamp-Hose
40	130-1489	1	Cover-Cylinder Head
50	130-1490	1	Cylinder Head ASM
60	98-9580	1	Pipe-Return, Water
70	110-3714	1	Cover-Breather
80	110-3715	1	Valve-Breather
90	98-9364	4	Screw (With Washer)
100	112-2807	1	Gasket-Cover, Head
110	108-7063	4	Bolt
120	107-9075	1	Plug-Filler, Oil
130	99-3446	1	O-Ring



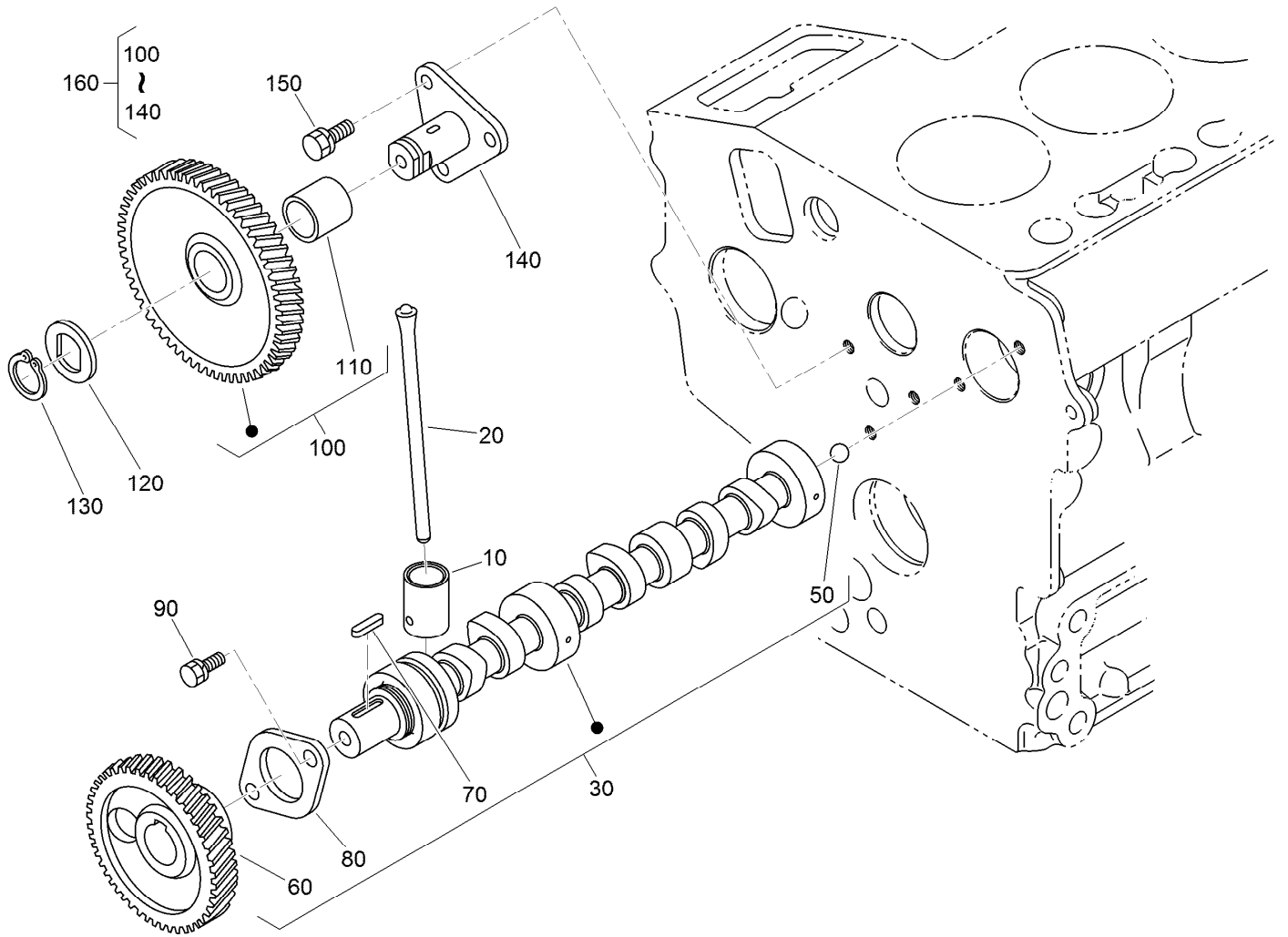
Dipstick and Guide Assembly

<i>Ref.</i>	<i>Part Number</i>	<i>Qty.</i>	<i>Description</i>
10	112-2811	1	Gauge-Oil
20	130-1386	1	Oil Gauge Guide ASM
30	98-9722	1	O-Ring



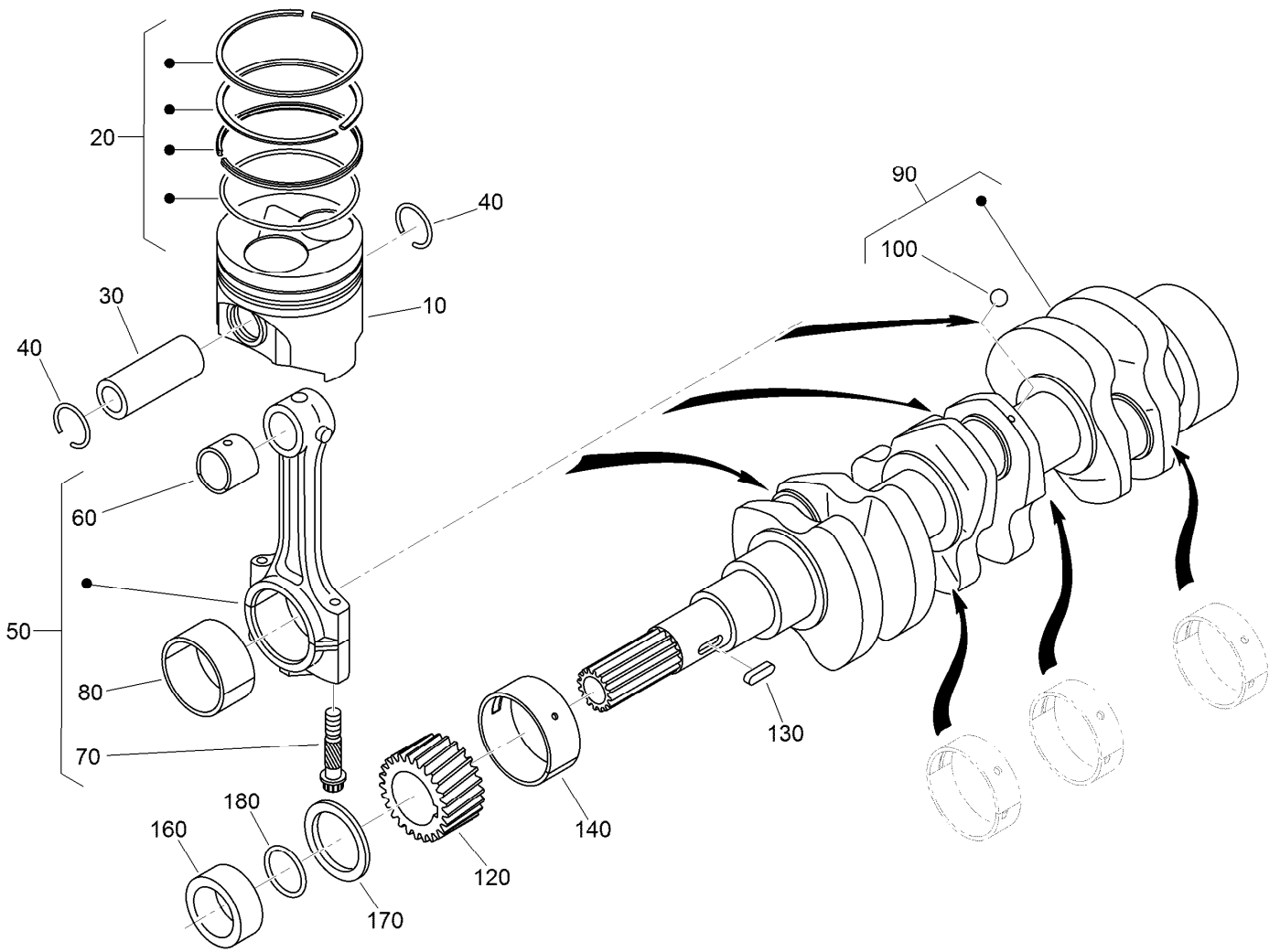
Main Bearing Case Assembly

Ref.	Part Number	Qty.	Description	Ref.	Part Number	Qty.	Description
10	125-9064	1	Wheel Bearing Case ASM	105	100-1987	1	Main Bearing Case ASM
20	125-9065	2	Bolt-Flange	110	100-1757	2	Bolt-Case, Bearing
25	125-9082	2	Pin-Straight	120	130-1215	1	Metal-Crankshaft
30	130-1209	1	Metal-Crankshaft	120	130-1216	1	Metal-Crankshaft
30	100-1870	1	Crankshaft-Metal (-0.2MM Set)	120	130-1217	1	Metal-Crankshaft
30	130-1210	1	Metal-Crankshaft	130	130-1299	1	Bearing Case ASM
40	100-1873	1	Gasket-Case, Bearing	135	100-2027	1	Main Bearing Case ASM
60	112-8334	1	Cover-Case, Bearing	140	100-1757	2	Bolt-Case, Bearing
70	110-3724	1	Seal-Oil	150	130-1215	1	Metal-Crankshaft
80	100-1876	1	Gasket-Cover, Case	150	130-1216	1	Metal-Crankshaft
90	100-1750	16	Bolt	150	130-1217	1	Metal-Crankshaft
100	130-1177	1	Bearing Case ASM	160	100-1874	2	Bolt-Case, Bearing



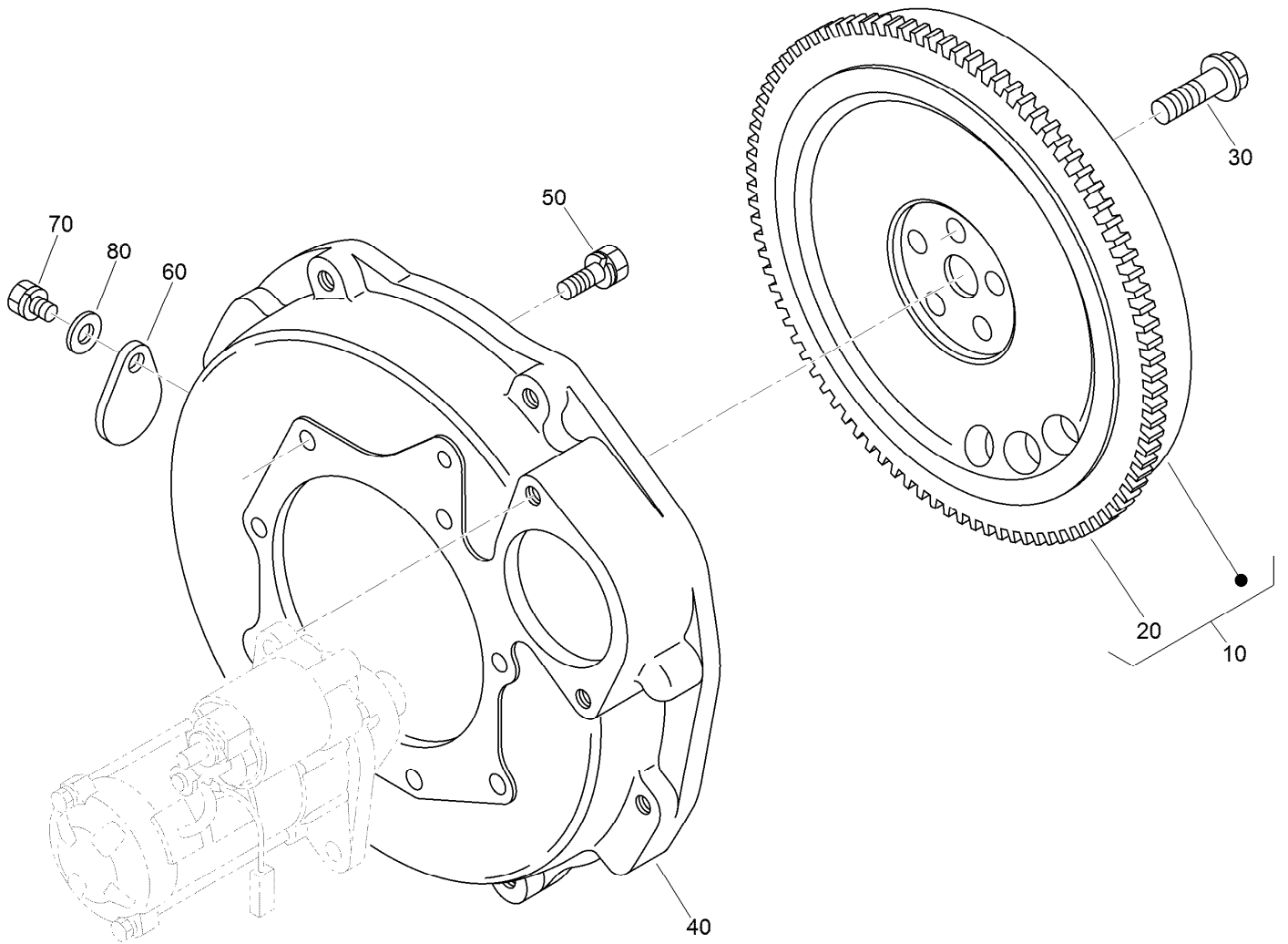
Camshaft and Idle Gear Shaft Assembly

Ref.	Part Number	Qty.	Description
10	110-3727	6	Tappet
20	100-1989	6	Rod-Push
30	130-1526	1	Camshaft ASM
50	110-3729	1	Ball
60	130-1534	1	Gear-Cam
70	98-9378	1	Key-Feather
80	100-1887	1	Stopper-Camshaft
90	98-9350	2	Bolt
100	121-2421	1	Idle Gear ASM
110	121-2422	1	Bushing
120	100-1970	1	Collar-Gear, Idle
130	100-1969	1	Ring-Snap
140	100-1967	1	Shaft-Gear, Idle
150	100-1774	3	Bolt-Flange
160	100-2240	1	Idle Gear ASM



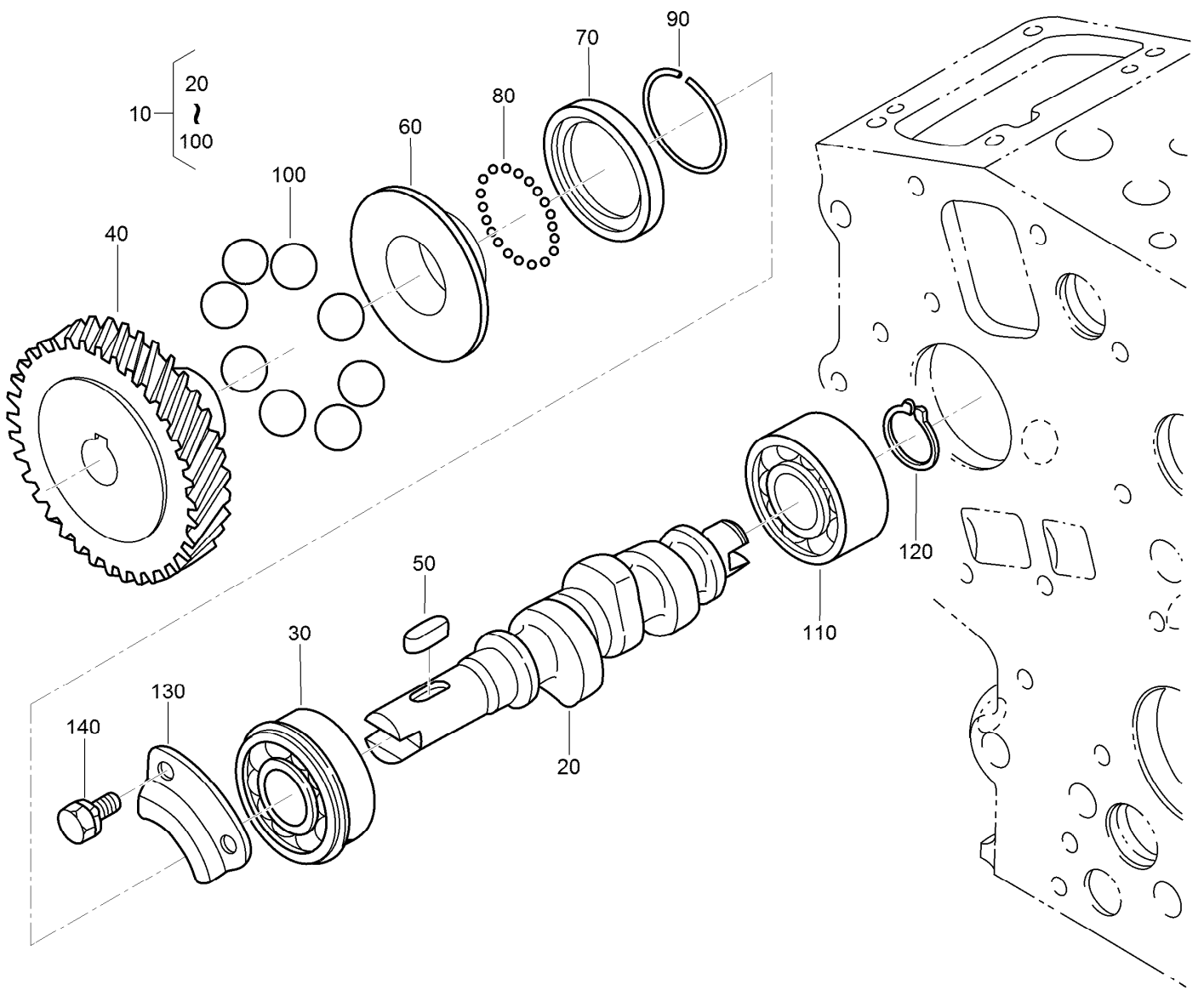
Piston and Crankshaft Assembly

<i>Ref.</i>	<i>Part Number</i>	<i>Qty.</i>	<i>Description</i>	<i>Ref.</i>	<i>Part Number</i>	<i>Qty.</i>	<i>Description</i>
10	130-1530	3	Piston	80	121-2420	3	Metal-Crankpin (-.40MM)
10	130-1531	3	Piston	90	100-2160	1	Crankshaft
20	130-1528	3	Piston Ring ASM	100	100-1791	3	Ball
20	130-1529	3	Piston Ring ASM	120	100-1891	1	Gear-Crankshaft
30	110-3734	3	Pin-Piston	130	100-1752	1	Key-Feather
40	100-1835	6	Circlip-Internal	140	130-1214	1	Metal-Crankshaft
50	125-9070	3	Connecting Rod ASM	140	130-1218	1	Metal-Crankshaft
60	110-3736	3	Bushing-Pin, Piston	140	130-1219	1	Metal-Crankshaft
70	100-1999	6	Bolt-Rod, Connecting	160	100-1890	1	Collar-Crankshaft
80	100-2000	3	Metal-Crankpin (STD)	170	100-1974	1	Slinger-Oil
80	121-3849	3	Metal-Crankpin (-.20MM)	180	100-2209	1	O-Ring



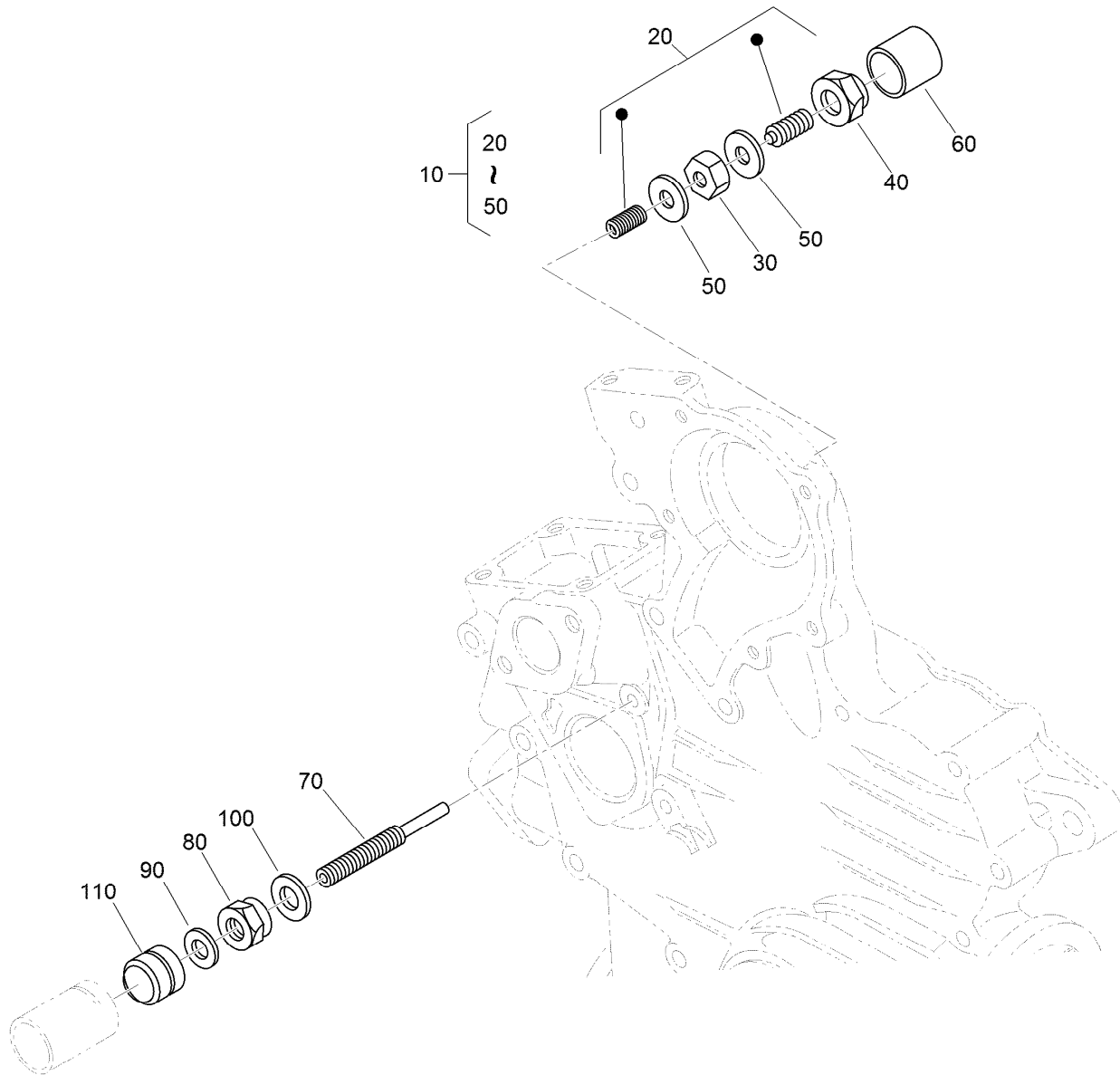
Flywheel Assembly

<i>Ref.</i>	<i>Part Number</i>	<i>Qty.</i>	<i>Description</i>
10	130-1300	1	Flywheel ASM
20	127-1604	1	Gear-Ring
30	100-1930	5	Bolt-Flywheel
40	117-1703	1	Housing-Flywheel
50	98-9359	8	Bolt
60	100-2177	1	Cover
70	100-9195	1	Bolt
80	120-5832	1	Washer-Plain



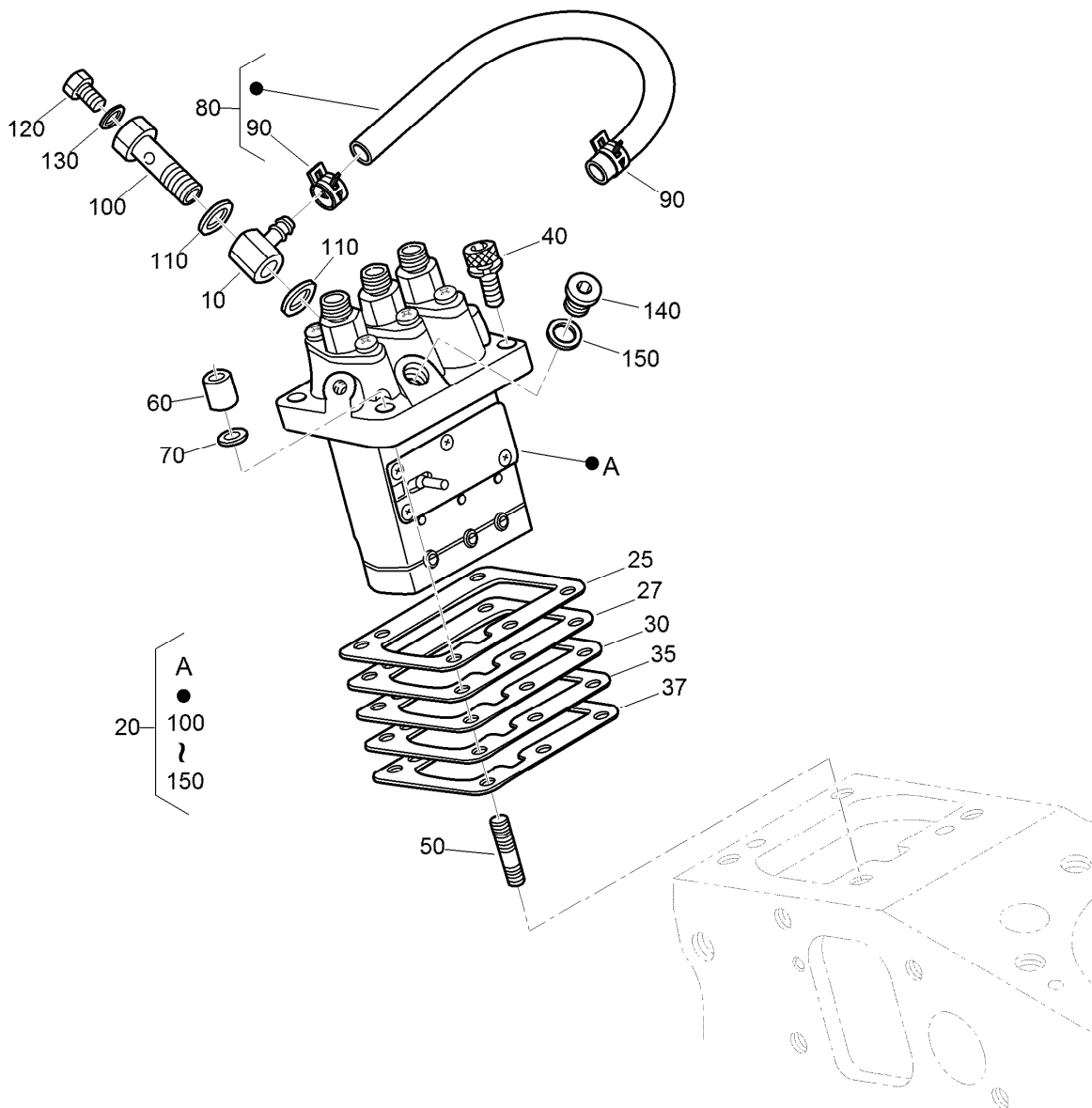
Fuel Camshaft Assembly

Ref.	Part Number	Qty.	Description
10	130-1527	1	Fuel Camshaft ASM
20	110-3756	1	Camshaft-Fuel
30	100-1795	1	Bearing-Ball
40	130-1521	1	Pump-Gear, Injection
50	100-1752	1	Key-Feather
60	112-8336	1	Sleeve-Governor
70	100-1904	1	Case-Ball, Governor
80	100-1790	32	Ball
90	100-1843	1	Circ-Clip
100	100-1793	8	Ball
110	110-3757	1	Bearing-Ball
120	100-1784	1	Circ-Clip, External
130	100-1888	1	Stopper-Fuel, Camshaft
140	98-9350	2	Bolt



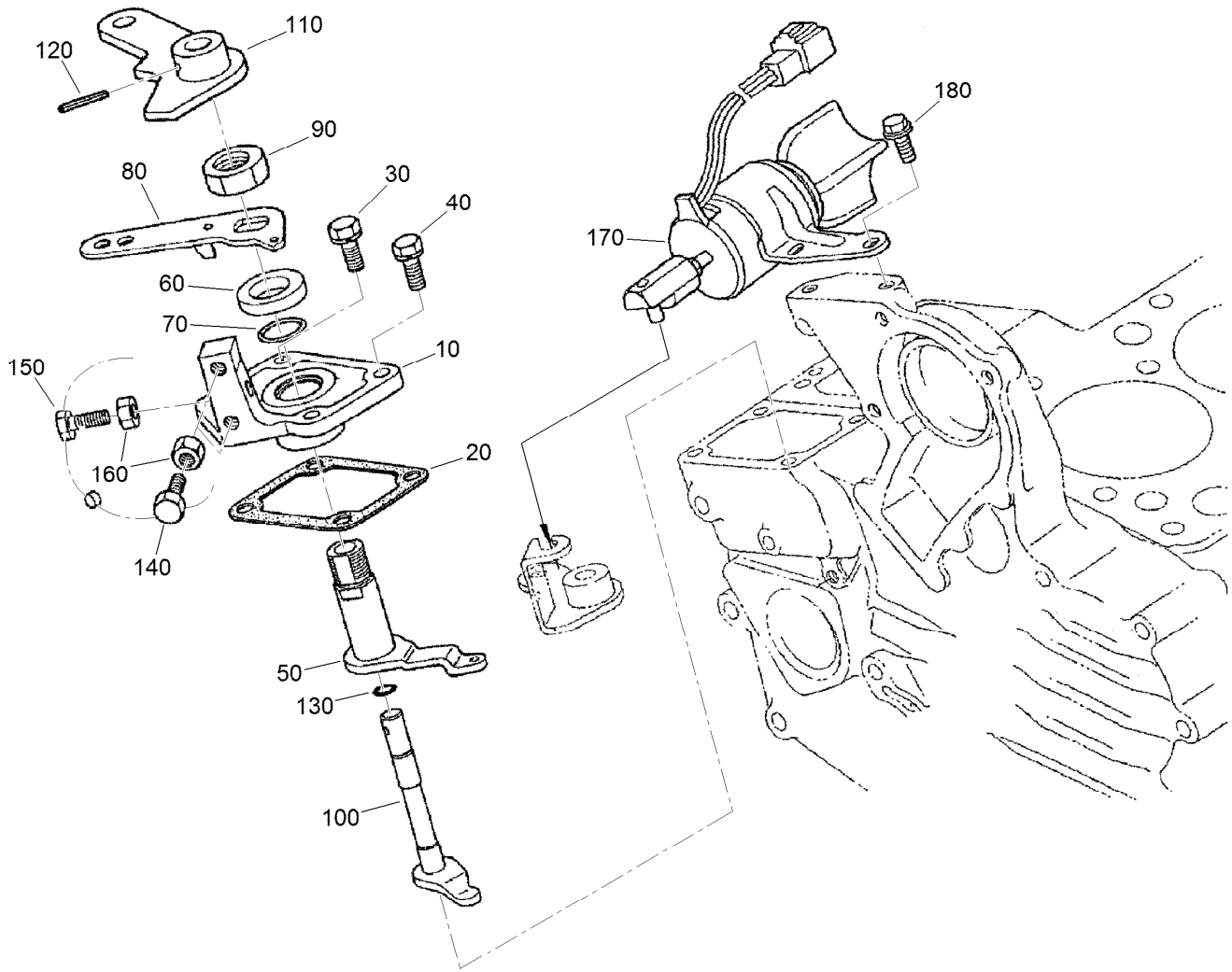
Idle Apparatus Assembly

<i>Ref.</i>	<i>Part Number</i>	<i>Qty.</i>	<i>Description</i>
10	100-1898	1	Idle Apparatus ASM
20	100-1899	1	Adjusting Bolt ASM
30	100-1846	1	Nut
40	100-1901	1	Nut-Cap
50	98-7428	2	Gasket
60	100-1902	1	Cap
70	110-3758	1	Bolt-Adjusting
80	100-2175	1	Nut-Lock
90	98-7654	1	Gasket
100	107-9081	1	Gasket
110	99-8387	1	Nut-Cap



Injection Pump Assembly

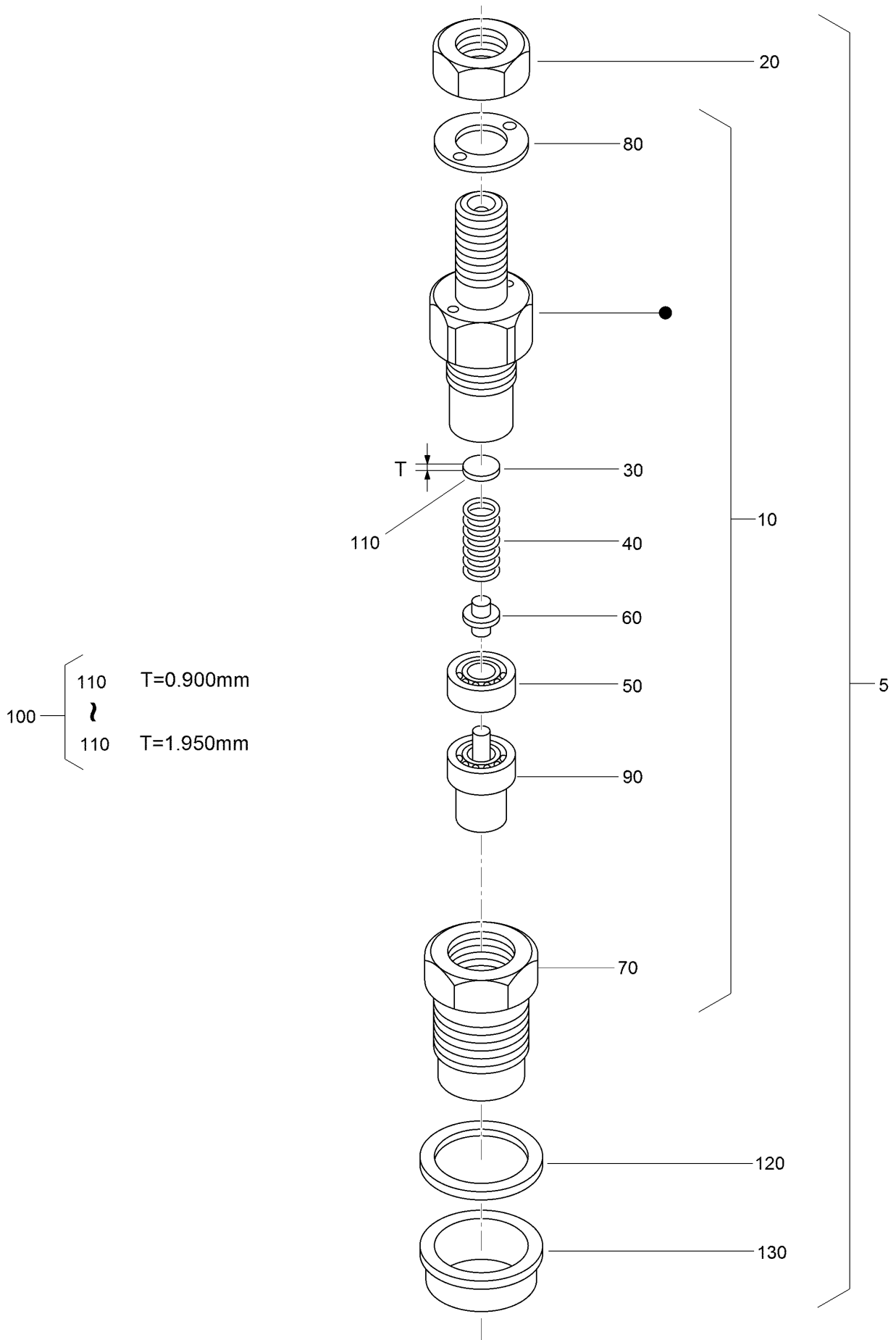
<i>Ref.</i>	<i>Part Number</i>	<i>Qty.</i>	<i>Description</i>	<i>Ref.</i>	<i>Part Number</i>	<i>Qty.</i>	<i>Description</i>
10	100-1928	1	Joint-Eye	70	98-7699	2	Washer-Spring
20	130-1223	1	Injection Pump ASM	80	100-1842	1	Fuel Pipe ASM
25	115-3045	1	Shim-Injection (0.175MM)	90	100-2217	2	Clip-Pipe
27	98-9456	1	Shim-Injection (0.20MM)	100	100-1896	1	Screw-Hollow
30	98-9457	1	Shim-Injection (0.25MM)	110	98-9445	2	Gasket
35	98-9458	1	Shim-Injection (0.30MM)	120	98-9430	1	Screw
37	115-3046	1	Shim-Injection (0.35MM)	130	98-9446	1	Gasket
40	117-7564	2	Bolt-Hex Soc HD	140	98-9466	1	Plug
50	98-9438	2	Stud	150	98-9451	1	Gasket
60	98-9440	2	Nut-Cap				



Stop Solenoid and Speed Control Plate Assembly

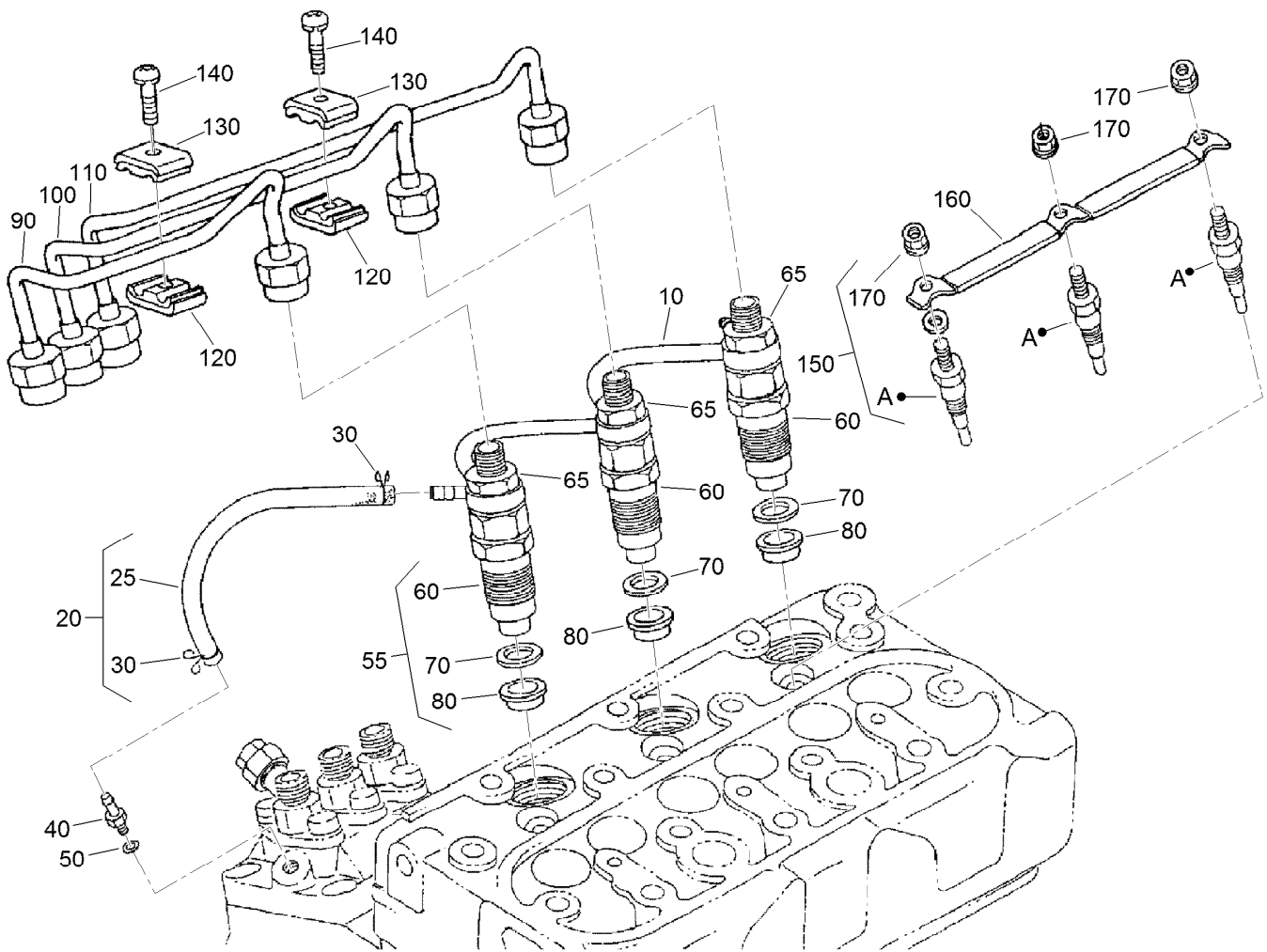
<i>Ref.</i>	<i>Part Number</i>	<i>Qty.</i>	<i>Description</i>	<i>Ref.</i>	<i>Part Number</i>	<i>Qty.</i>	<i>Description</i>
10	110-3770	1	Plate-Control, Speed	100	112-2826	1	Shaft-Lever
20	100-1962	1	Gasket-Plate, Control	110	112-2827	1	Lever-Stop, Engine
30	127-0403	2	Bolt-Flange	120	110-3777	1	Pin-Spring
40	112-2507	2	Bolt	130	100-2207	1	O-Ring
50	112-2822	1	Lever-Governor	140	120-3133	2	Screw-Stopper
60	110-3772	1	Collar	150	120-3134	1	Bolt
70	100-2208	1	O-Ring	160	98-7572	3	Nut
80	110-3773	1	Lever-Control, Speed	170	131-0564	1	Solenoid-Shut Off/On
90	110-3774	1	Nut-Control, Speed	180	100-1774	2	Bolt-Flange

Nozzle Holder Assembly



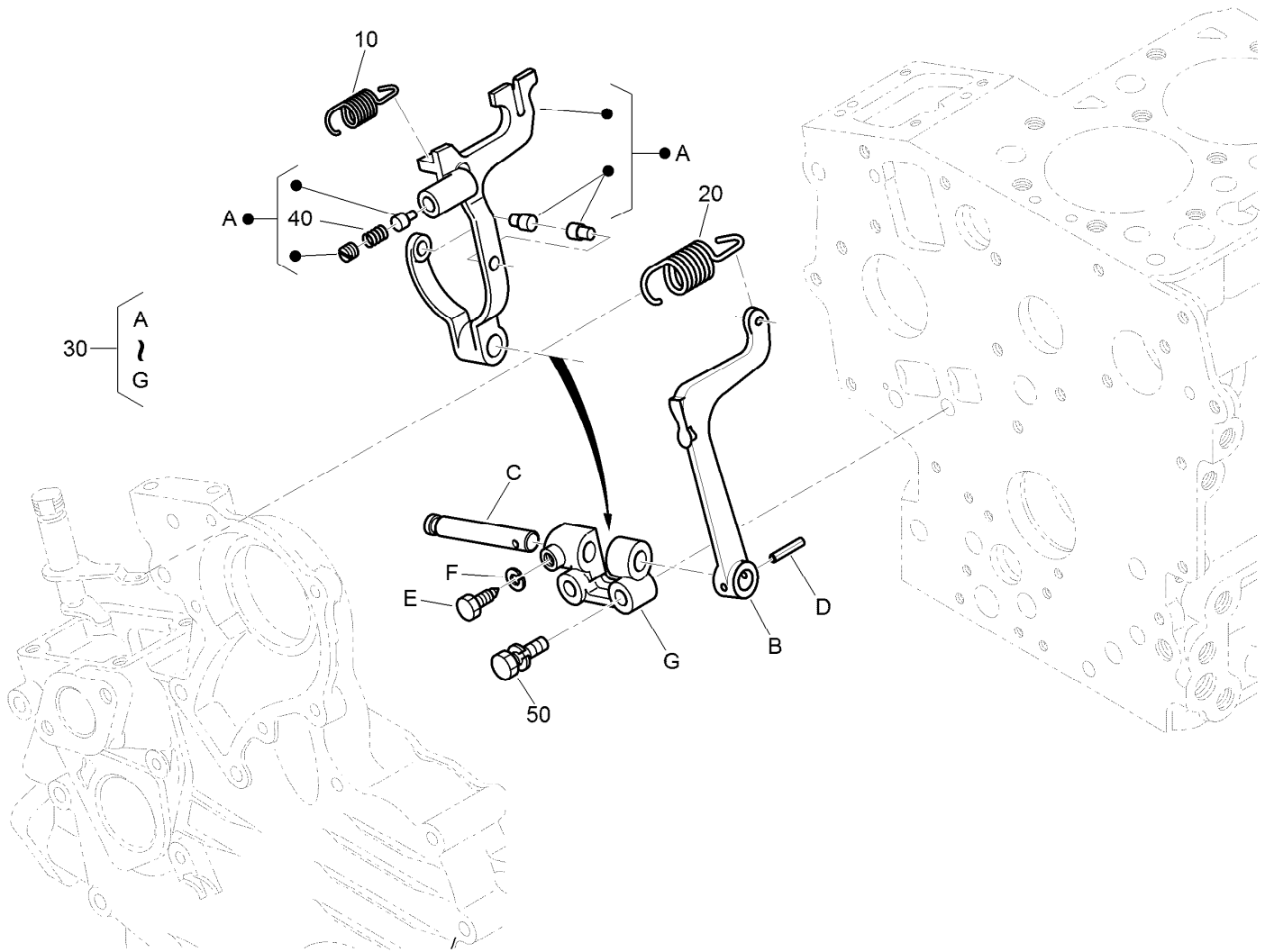
Nozzle Holder Assembly (continued)

<i>Ref.</i>	<i>Part Number</i>	<i>Qty.</i>	<i>Description</i>	<i>Ref.</i>	<i>Part Number</i>	<i>Qty.</i>	<i>Description</i>
5	130-1305	3	Nozzle Holder Kit	110	98-7860	3	Washer-Adjusting (1.400MM)
10	130-1303	3	Nozzle Holder ASM	110	98-7861	3	Washer-Adjusting (1.425MM)
20	121-2411	3	Nut	110	98-7862	3	Washer-Adjusting (1.450MM)
30	99-8302	3	Washer-Adjusting	110	98-7863	3	Washer-Adjusting (1.475MM)
40	99-8303	3	Spring-Nozzle	110	98-7864	3	Washer-Adjusting (1.500MM)
50	99-8304	3	Spacer-Distance	110	98-7865	3	Washer-Adjusting (1.525MM)
60	99-8305	3	Rod-Push	110	98-7866	3	Washer-Adjusting (1.550MM)
70	130-1304	3	Nut-Nozzle	110	98-7867	3	Washer-Adjusting (1.575MM)
80	99-8307	3	Washer-Plain	110	98-7868	3	Washer-Adjusting (1.600MM)
90	130-1497	3	Nozzle-Piece	110	98-7869	3	Washer-Adjusting (1.625MM)
100	98-9448	3	Adjusting Washer ASM	110	98-7870	3	Washer-Adjusting (1.650MM)
110	98-7642	3	Washer-Adjusting (0.900Mm)	110	98-7871	3	Washer-Adjusting (1.675MM)
110	98-7841	3	Washer-Adjusting (0.925Mm)	110	98-7872	3	Washer-Adjusting (1.700MM)
110	98-7842	3	Washer-Adjusting (0.950Mm)	110	98-7873	3	Washer-Adjusting (1.725MM)
110	98-7843	3	Washer-Adjusting (0.975Mm)	110	98-7874	3	Washer-Adjusting (1.750MM)
110	98-7844	3	Washer-Adjusting (1.000Mm)	110	98-7875	3	Washer-Adjusting (1.775MM)
110	98-7845	3	Washer-Adjusting (1.025Mm)	110	98-7876	3	Washer-Adjusting (1.800MM)
110	98-7846	3	Washer-Adjusting (1.050Mm)	110	98-7877	3	Washer-Adjusting (1.825MM)
110	98-7847	3	Washer-Adjusting (1.075MM)	110	98-7878	3	Washer-Adjusting (1.850MM)
110	98-7848	3	Washer-Adjusting (1.100MM)	110	98-7879	3	Washer-Adjusting (1.875MM)
110	98-7849	3	Washer-Adjusting (1.125MM)	110	98-7880	3	Washer-Adjusting (1.900MM)
110	98-7850	3	Washer-Adjusting (1.150MM)	110	98-7881	3	Washer-Adjusting (1.925MM)
110	98-7851	3	Washer-Adjusting (1.175MM)	110	98-7882	3	Washer-Adjusting (1.950MM)
110	98-7852	3	Washer-Adjusting (1.200MM)	120	98-7676	3	Gasket
110	98-7853	3	Washer-Adjusting (1.225MM)	130	98-7677	3	Seal-Heat
110	98-7854	3	Washer-Adjusting (1.250MM)				
110	98-7855	3	Washer-Adjusting (1.275MM)				
110	98-7856	3	Washer-Adjusting 1.300MM)				
110	98-7857	3	Washer-Adjusting (1.325MM)				
110	98-7858	3	Washer-Adjusting (1.350MM)				
110	98-7859	3	Washer-Adjusting (1.375MM)				



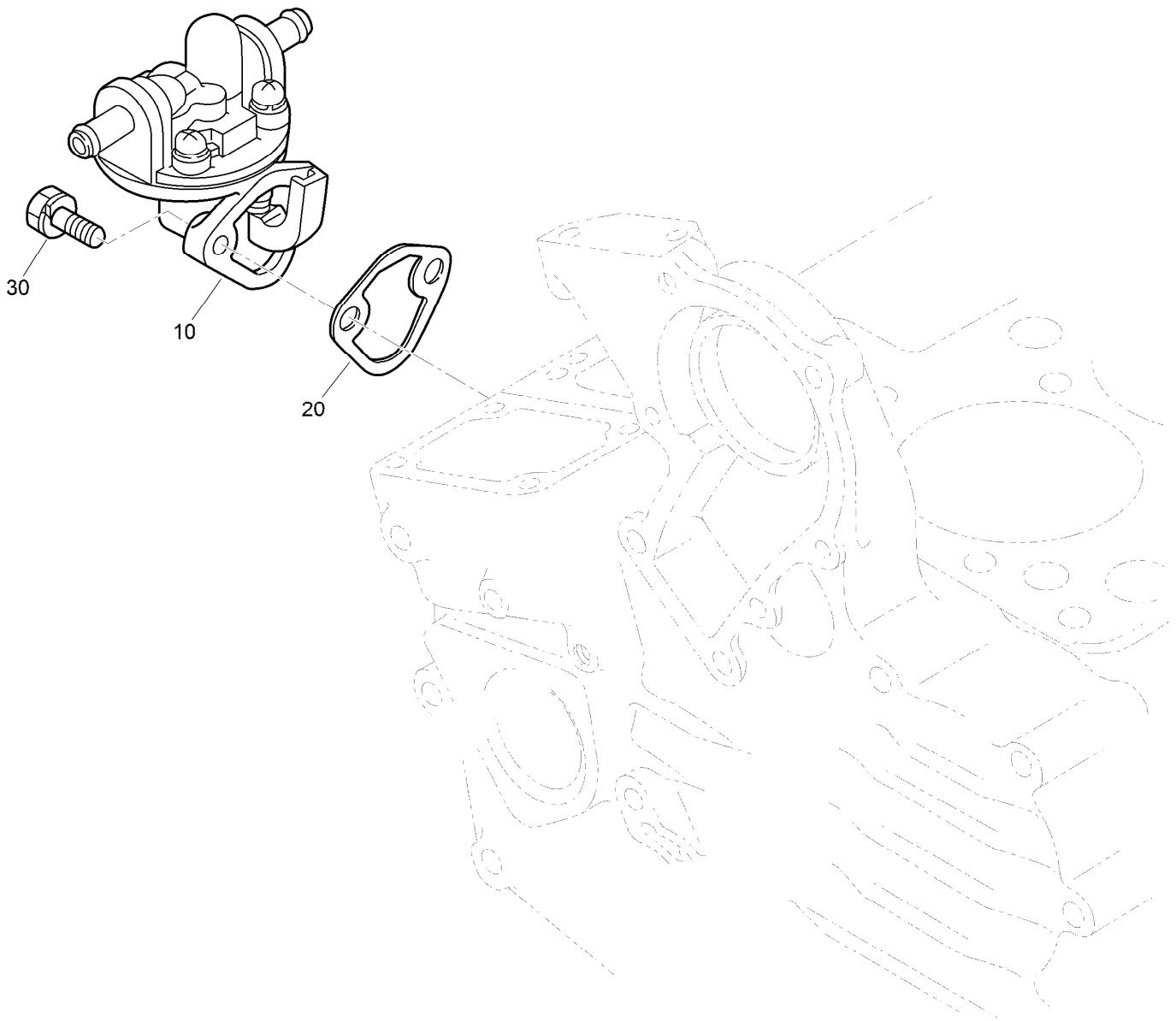
Nozzle Holder and Glow Plug Assembly

Ref.	Part Number	Qty.	Description	Ref.	Part Number	Qty.	Description
10	100-1960	1	Over Flow Pipe ASM	80	98-7677	3	Seal-Heat
20	98-9420	1	Overflow Pipe ASM	90	130-1414	1	Pipe-Injection
25	112-0182	1	Pipe-Overflow	100	130-1415	1	Pipe-Injection
30	98-7671	2	Clip-Pipe	110	130-1416	1	Pipe-Injection
40	98-9431	1	Screw-Bleeder, Air	120	98-7682	2	Clamp-Pipe
50	98-7654	1	Gasket	130	98-7683	2	Clamp-Pipe
55	130-1305	3	Nozzle Holder Kit	140	98-7684	2	Screw (W/Washer)
60	130-1303	3	Nozzle Holder ASM	150	130-1411	3	Plug-Glow
65	121-2411	3	Nut	160	100-2037	1	Cord-Plug, Glow
70	98-7676	3	Gasket	170	99-8377	3	Nut-Flange



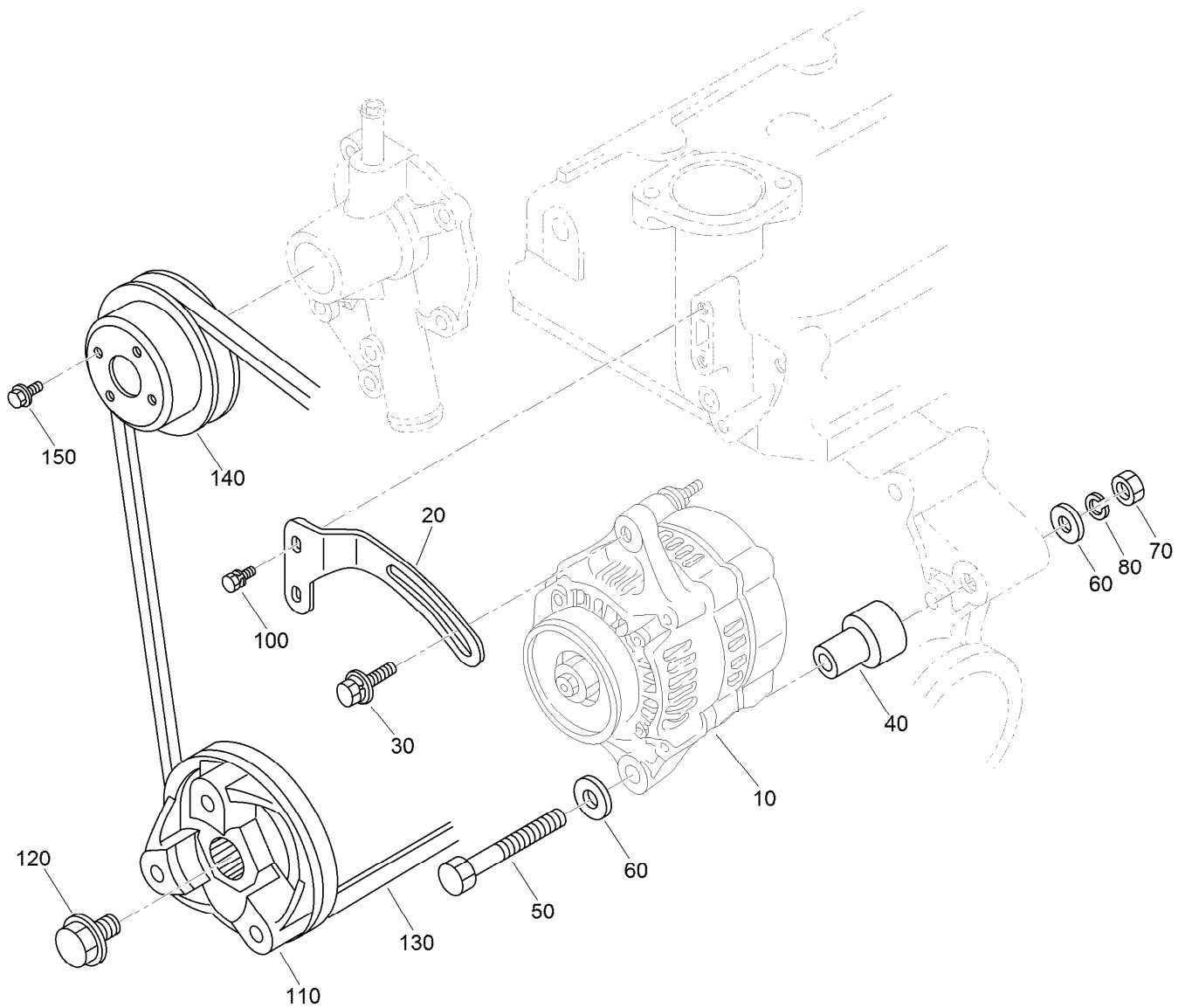
Fork Lever (Governor) Assembly

Ref.	Part Number	Qty.	Description
10	100-1911	1	Spring-Start
20	100-2059	1	Spring-Governor
30	130-1532	1	Fork Lever ASM
40	117-0313	1	Spring
50	100-1763	2	Bolt



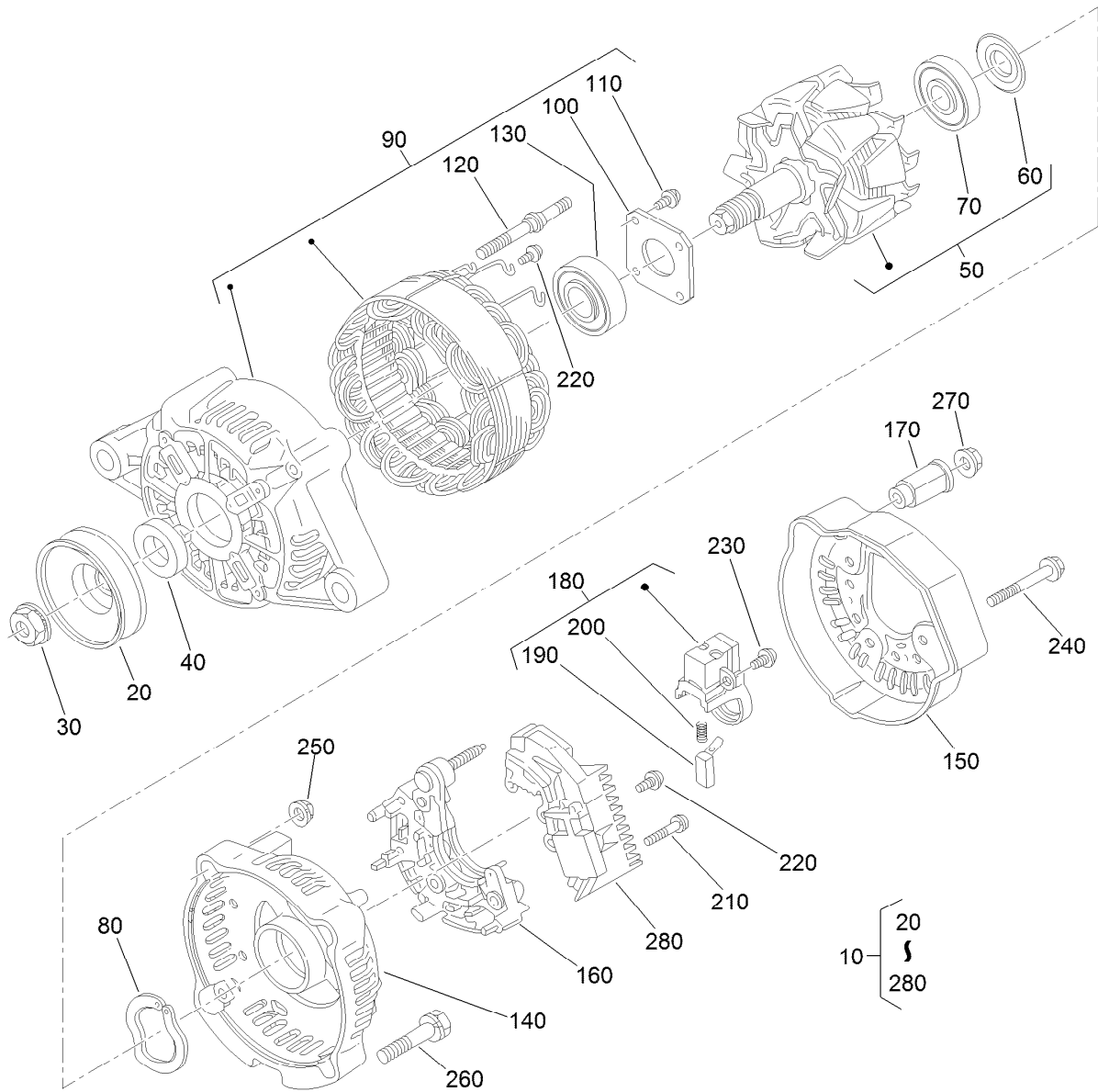
Fuel Pump (Mechanical) Assembly

<i>Ref.</i>	<i>Part Number</i>	<i>Qty.</i>	<i>Description</i>
10	100-2232	1	Fuel Pump ASM
20	98-9636	1	Gasket-Pump, Fuel
30	98-7692	2	Bolt



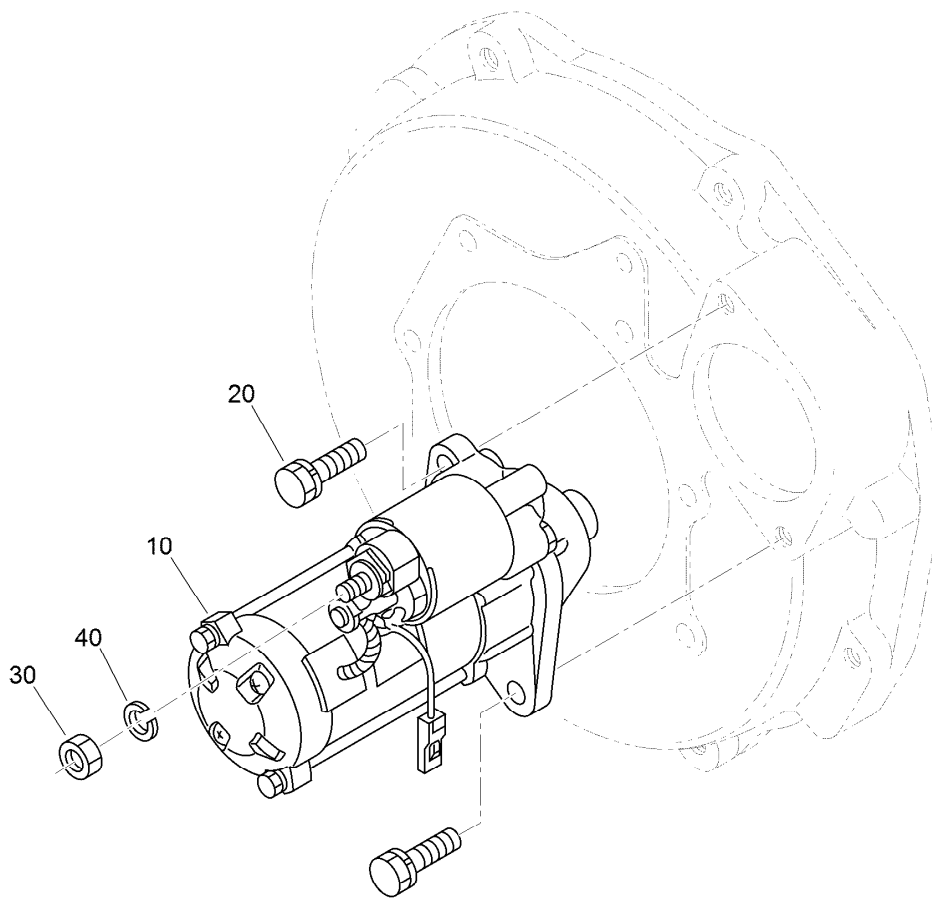
Alternator and Pulley Assembly

<i>Ref.</i>	<i>Part Number</i>	<i>Qty.</i>	<i>Description</i>
10	131-0561	1	Alternator
20	121-2412	1	Stay-Alternator
30	121-2413	1	Bolt
40	110-3794	1	Collar
50	98-7556	1	Bolt
60	120-5832	2	Washer-Plain
70	98-7534	1	Nut
80	131-9579	1	Washer-Spring, Lock
100	98-7692	2	Bolt
110	100-2039	1	Pulley-Drive, Fan
120	100-1978	1	Bolt
130	100-1979	1	V-Belt
140	100-1921	1	Pulley-Fan
150	99-8363	4	Bolt-Flange



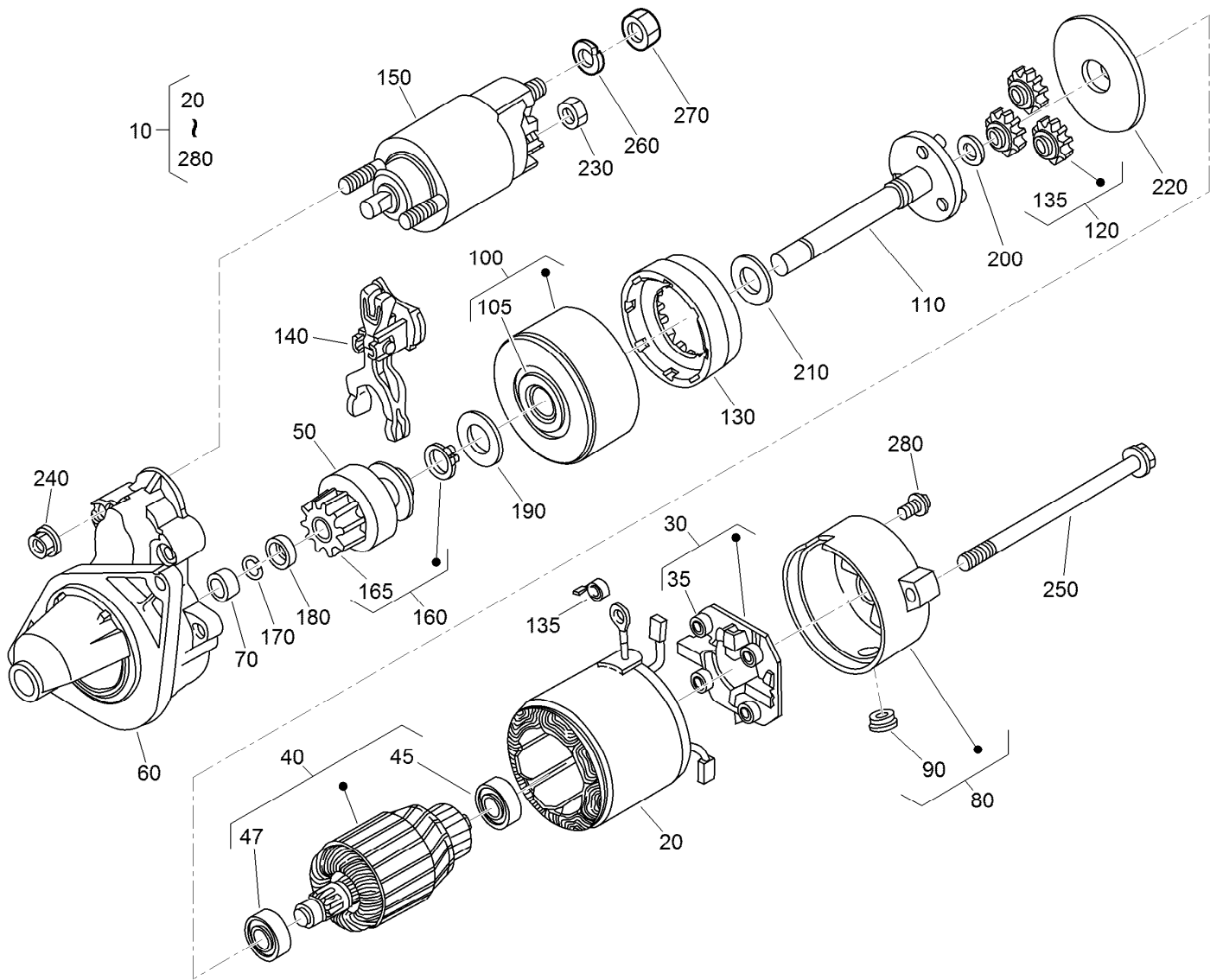
Alternator Assembly No. 131-0561

Ref.	Part Number	Qty.	Description	Ref.	Part Number	Qty.	Description
10	131-0561	1	Alternator	150	107-0140	1	Cover-End
20	98-9453	1	Pulley-Dynamo	160	98-7721	1	Rectifier ASM
30	98-7708	1	Nut	170	98-7722	1	Bushing-Insulation
40	98-7709	1	Collar	180	107-0141	1	Brush Holder ASM
50	107-0136	1	Rotor ASM	190	98-7724	2	Brush
60	98-7711	1	Cover-Bearing	200	98-7725	2	Spring-Brush
70	107-0138	1	Bearing-Ball	210	98-7726	2	Screw-Head, Round
80	98-7713	1	Washer-Thrust	220	98-7727	6	Screw-Head, Round
90	98-9475	1	Frame, Drive End	230	98-7728	1	Screw-Head, Round
100	98-7715	1	Plate-Retainer	240	98-7729	3	Bolt
110	98-7716	4	Screw-Head, Round	250	98-7730	2	Nut
120	98-7717	2	Bolt-Through	260	98-7731	2	Bolt
130	131-6560	1	*obs* Bearing-Ball	270	98-7732	1	Nut
140	107-9087	1	Frame-End	280	110-3799	1	Regulator ASM



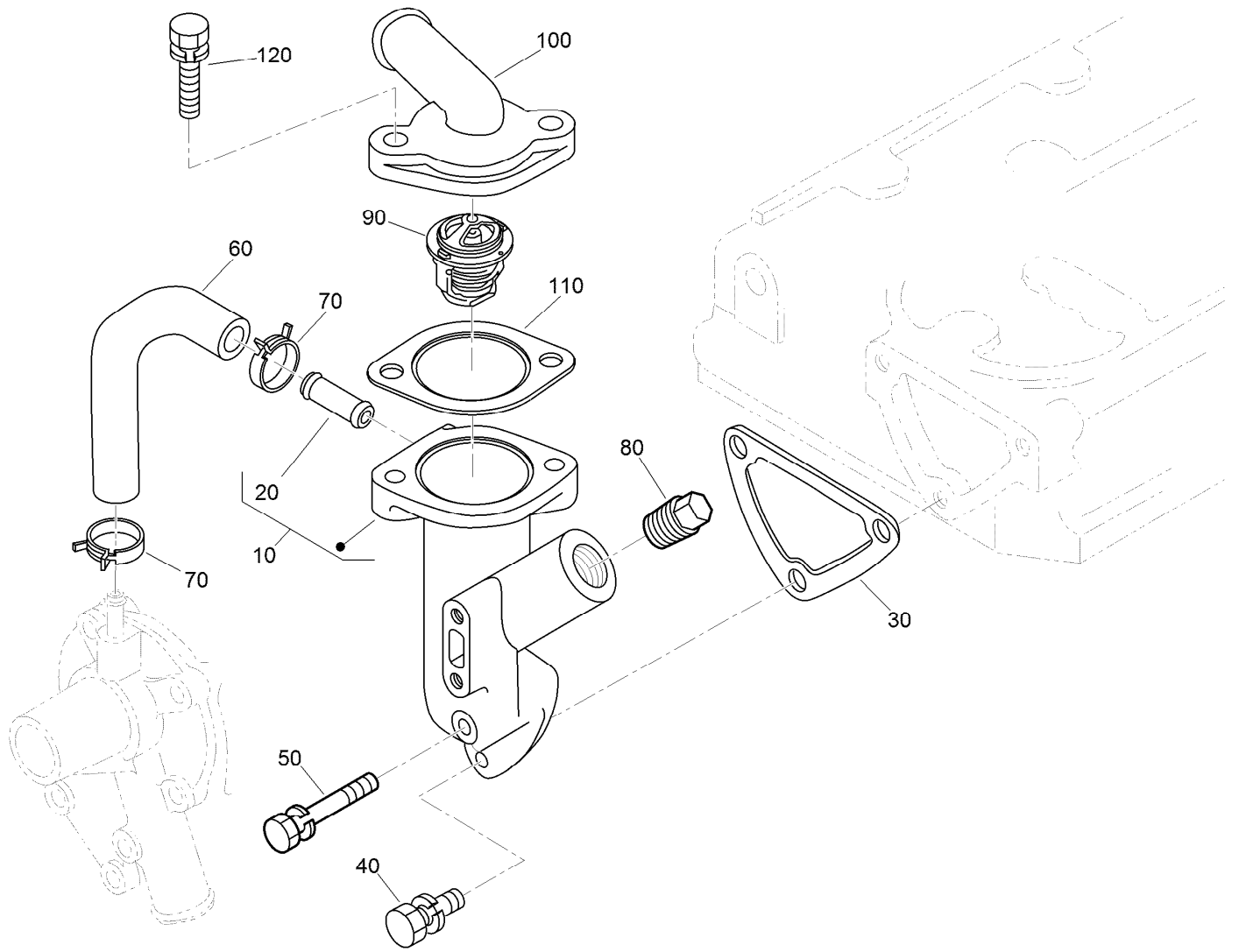
Starter Installation Assembly

<i>Ref.</i>	<i>Part Number</i>	<i>Qty.</i>	<i>Description</i>
10	100-2179	1	Starter ASM
20	98-7438	2	Bolt
30	98-7534	1	Nut
40	105-2893	1	Washer-Spring



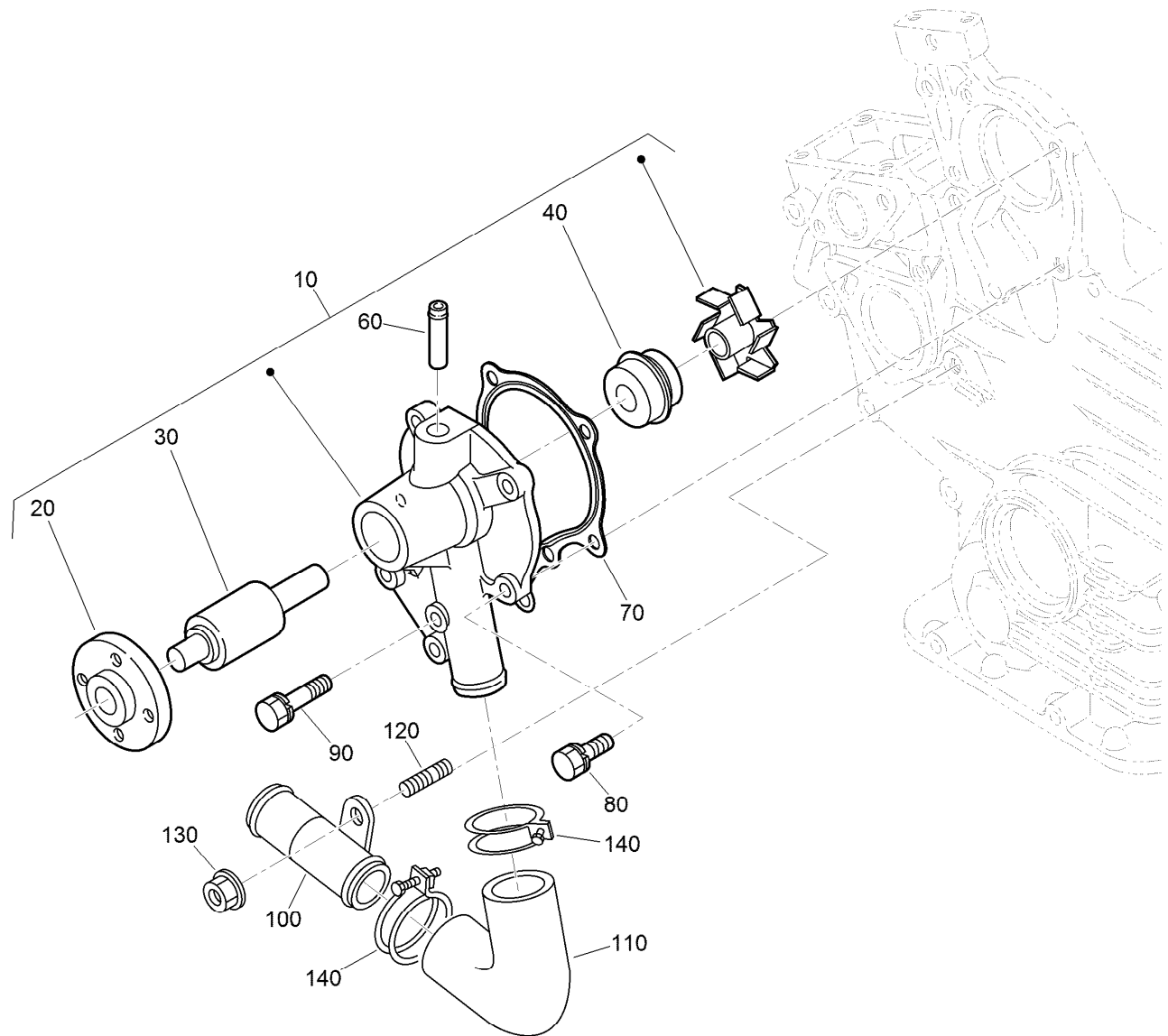
Starter Component Assembly No. 100-2179

Ref.	Part Number	Qty.	Description	Ref.	Part Number	Qty.	Description
10	100-2179	1	Starter ASM	135	98-7750	4	Spring-Brush
20	100-2181	1	Starter Yoke ASM	140	100-2218	1	Lever
30	100-2222	1	Holder ASM	150	100-2211	1	Magnetic Switch ASM
35	127-0415	4	Spring-Brush	160	100-2219	1	Ring-Snap
40	100-2182	1	Armature ASM	165	112-2833	1	Gear-Pinion
45	98-9412	1	Bearing-Ball	170	100-2212	1	Ring-Snap
47	98-9411	1	Bearing-Ball	180	100-2216	1	Collar
50	100-2185	1	Starter Clutch ASM	190	100-2224	1	Washer-Plain
60	100-2180	1	Starter Housing ASM	200	100-2225	1	Washer-Plain
70	100-2183	1	Bearing	210	100-2226	1	Washer-Plain
80	100-2186	1	Frame ASM	220	100-2227	1	Plate
90	100-2213	1	Cover	230	99-8371	1	Nut-Hex
100	100-2223	1	Bearing ASM	240	100-1813	2	Nut
105	127-0414	1	Bearing	250	100-2210	2	Bolt-Through
110	100-2187	1	Starter Shaft ASM	260	100-2215	1	Washer-Spring
120	100-2220	3	Gear	270	100-2171	1	Nut-Hex
130	100-2221	1	Gear	280	100-2188	2	Screw



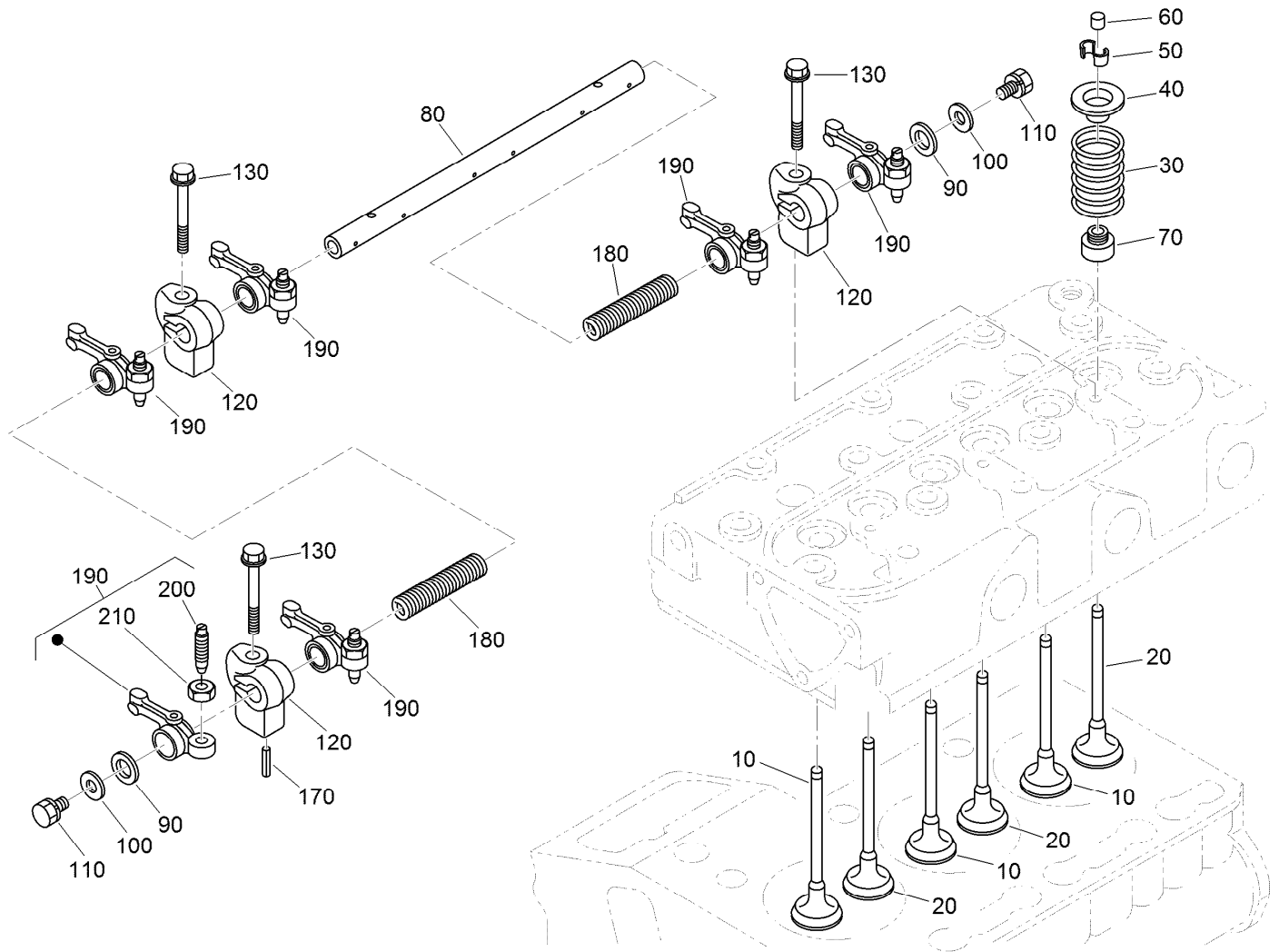
Water Flange and Thermostat Assembly

<i>Ref.</i>	<i>Part Number</i>	<i>Qty.</i>	<i>Description</i>
10	100-2165	1	Water Flange ASM
20	98-9580	1	Pipe-Return, Water
30	110-3820	1	Gasket-Flange, Water
40	98-7692	2	Bolt
50	125-9063	1	Bolt-Sems
60	100-2017	1	Pipe-Return, Water
70	125-9078	2	Clamp-Hose
80	110-3821	1	Plug
90	100-2053	1	Thermostat ASM
100	100-2231	1	Cover-Thermostat
110	100-2157	1	Gasket-Thermostat
120	98-9353	2	Bolt



Water Pump and Water Pipe Assembly

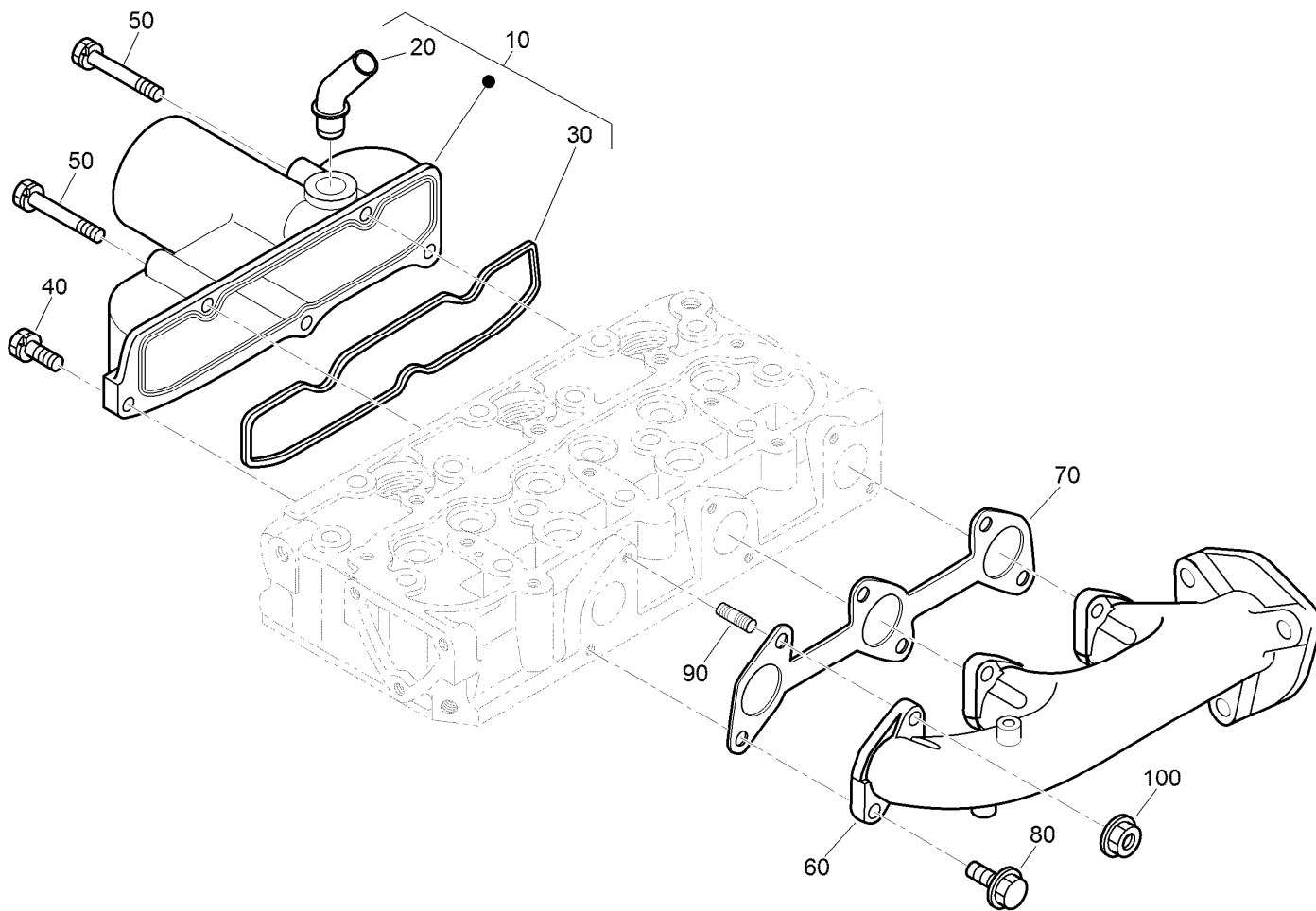
<i>Ref.</i>	<i>Part Number</i>	<i>Qty.</i>	<i>Description</i>
10	127-1607	1	Water Pump ASM
20	125-9081	1	Flange-Pump, Water
30	100-1934	1	Bearing-Ball
40	99-3518	1	Water Pump Seal ASM
60	100-1932	1	Pipe-Return, Water
70	117-8846	1	Gasket-Pump, Water
80	100-1750	4	Bolt
90	100-1764	1	Bolt
100	112-2835	1	Pipe-Water
110	112-2836	1	Hose-Water
120	100-1924	1	Stud
130	100-2203	1	Nut-Flange
140	110-3828	2	Band-Pipe



Valve and Rocker Arm Assembly

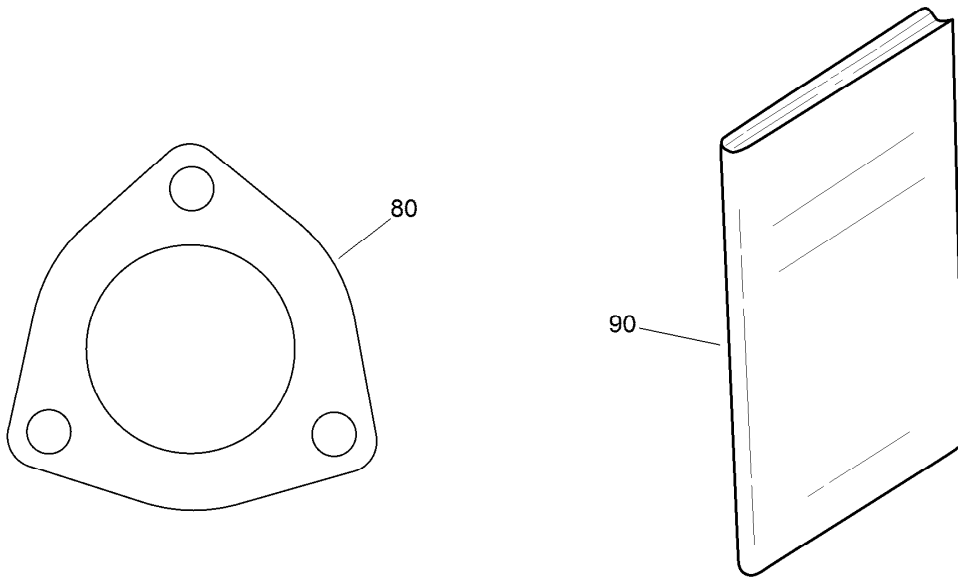
Ref.	Part Number	Qty.	Description
10	130-1412	3	Valve-Intake
20	130-1413	3	Valve-Exhaust
30	100-1823	6	Spring-Valve
40	100-1825	6	Retainer-Spring, Valve
50	120-3136	6	Collet-Spring, Valve
60	100-2155	6	Cap-Valve
70	100-1797	6	Seal-Stem, Valve
80	130-1213	1	Shaft-Rocker Arm
90	100-2044	2	Washer

Ref.	Part Number	Qty.	Description
100	110-3832	2	Washer-Plain
110	100-1762	2	Bolt
120	112-2838	3	Bracket-Arm, Rocker
130	110-3834	3	Bolt-Flange
170	98-7602	1	Pin-Spring
180	130-1178	2	Spring-Rocker Arm
190	100-1884	6	Rocker Arm ASM
200	100-1885	6	Screw-Adjusting
210	100-1827	6	Nut



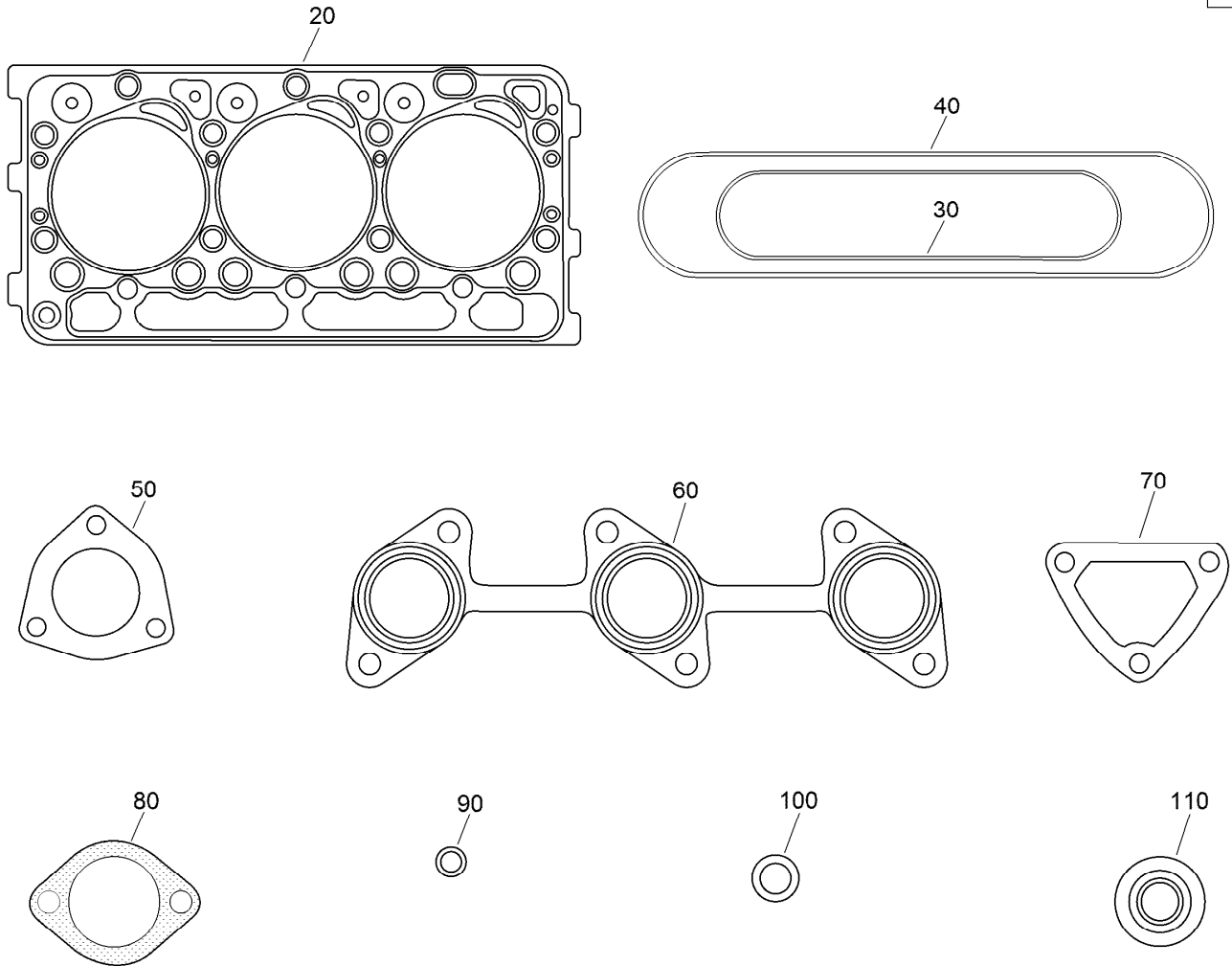
Inlet and Exhaust Manifold Assembly

<i>Ref.</i>	<i>Part Number</i>	<i>Qty.</i>	<i>Description</i>
10	112-2839	1	Intake Manifold ASM
20	110-3837	1	Pipe-Breather
30	100-1937	1	Gasket-Manifold, Intake
40	127-0403	2	Bolt-Flange
50	100-1765	3	Bolt
60	100-2244	1	Manifold-Exhaust
70	130-1384	1	Gasket-Manifold, Exhaust
80	130-1154	3	Screw-Hex HD
90	130-1156	3	Bolt-Stud
100	100-1778	3	Nut



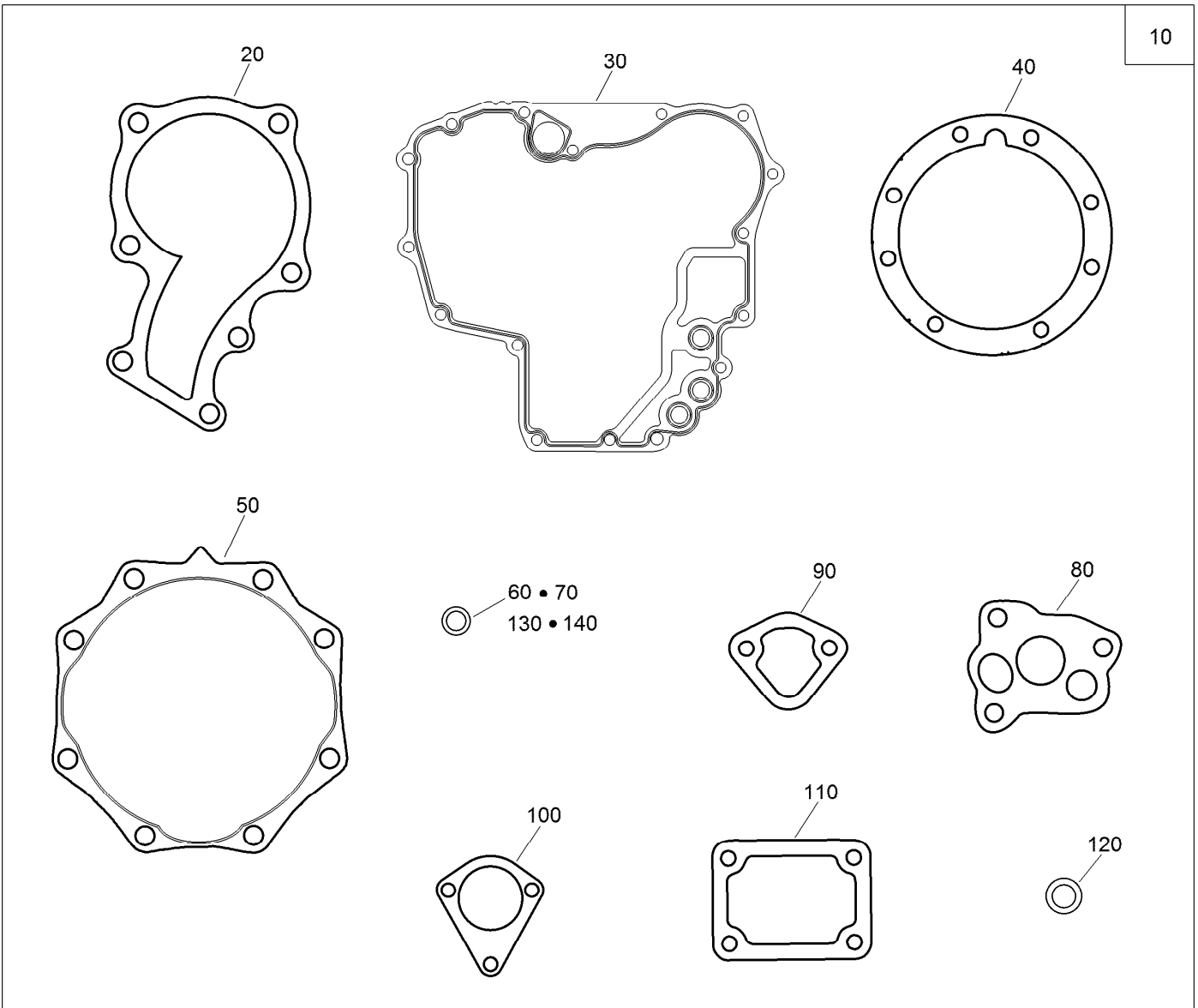
Miscellaneous Engine Parts

<i>Ref.</i>	<i>Part Number</i>	<i>Qty.</i>	<i>Description</i>
80	100-2238	1	Gasket-Muffler
90	130-1513	1	Manual-Operator



Upper Engine Gasket Kit

Ref.	Part Number	Qty.	Description
10	130-1383	1	Upper Gasket Kit
20	130-1525	1	Gasket-Head, Cylinder
30	112-2842	1	Gasket-Cover, Head
40	100-1937	1	Gasket-Manifold, Intake
50	100-2238	1	Gasket-Muffler
60	130-1384	1	Gasket-Manifold, Exhaust
70	110-3820	1	Gasket-Flange, Water
80	100-2157	1	Gasket-Thermostat
90	99-3446	1	O-Ring
100	98-7654	3	Gasket
110	100-1797	6	Seal-Stem, Valve



Lower Engine Gasket Kit

Ref.	Part Number	Qty.	Description
10	130-1365	1	Lower Gasket Kit
20	117-8846	1	Gasket-Pump, Water
30	130-1302	1	Gasket-Case, Gear
40	100-1873	1	Gasket-Case, Bearing
50	100-1876	1	Gasket-Cover, Case
60	100-2209	1	O-Ring
70	105-3776	1	O-Ring
80	100-2003	1	Gasket-Pump, Oil
90	98-9636	1	Gasket-Pump, Fuel
100	100-2062	1	Gasket
110	100-1962	1	Gasket-Plate, Control
120	98-7428	2	Gasket
130	100-2208	1	O-Ring
140	100-2207	1	O-Ring

Attachments and Accessories

For 22337CP 320-D Compact Utility Loader

Product Name	Model/Part
Tire Chain Kit	100-4140
Helmet-Face Shield	100-4143
Light Kit.....	100-8940
Narrow Tire ASM	104-0572
Tube-Tire (18 x 8.50-10)	105-4070
Rubber Foot Mat.....	105-5805
Tube-Tire (18 X 8.50-8).....	106396
Solenoid Shutoff Kit	131-0569
4 Cubic Foot Standard Bucket	22409
Loose Materials Bucket	22410
48in Hydraulic Blade	22414
Bore Drive Head	22420
Rod and Reamer	22421
Multi-Purpose Tool.....	22423
Direct Drive Power Box Rake	22426
Stump Grinder	22429
Tree Forks	22438
Cement Bowl	22442
40in Tiller	22445
Snowthrower.....	22456
Trench Filler.....	22472
High-Torque Trencher Head	22473
High-Speed Trencher Head	22474
Narrow Bucket.....	22520
Grapple Rake	22521
Auger Head	22805
Universal Swivel Auger Head	22806
Vibratory Plow	22911
Concrete Breaker	23135
Backhoe.....	23163
Adjustable Forks.....	23164
Leveler.....	23165
Tube	232-37
LH Wheel And Tire ASM	98-2747
Wheel and Tire ASM.....	98-4709
RH Wheel And Tire ASM	99-1447
RH Wheel And Tire ASM (Powerlug)	99-3140
LH Wheel And Tire ASM (Powerlug).....	99-3141
Hydraulic Relief Valve Kit.....	99-4360

Notes:

Notes:

Notes:



Count on it.