



**Count on it.**

**Parts Catalog**

**TX 525**

**Compact Tool Carrier**

Model No. 22323—Serial No. 407950000 and Up



# Ordering Replacement Parts

To order replacement parts, please supply the part number, the quantity, and the description of each part desired.

## Understanding Reference Numbers

Each identified part in an illustration has a reference number. The reference number for a part also appears in the parts list, along with other information about the part.

This catalog uses two special reference number formats, one to indicate parts in a service assembly and another to indicate the quantity of a given part in an illustration.

## Service Assembly Reference Numbers

Parts in service assemblies have reference numbers in the form a:b. The a represents the reference number of the entire service assembly and the b represents a sequential number unique to each part within the service assembly.

For example, a wheel assembly might be identified by reference number 6, the tire by 6:1, the valve by 6:2, and the wheel by 6:3. When you order the assembly identified by reference number 6, you receive all parts identified by reference numbers 6:1, 6:2, and 6:3. However, you may also order any part individually. Reference numbers of this type appear in illustration and in parts lists.

## Reference Numbers Indicating Quantity

In an illustration, if a reference number indicates more than one part, the reference number has the form nX y. The n represents the quantity of the part, the X is the multiplication symbol, and the y represents the reference number.

For example, in an illustration, the reference number 2X 37 means that two of the parts identified by reference number 37 are indicated.

# Contents

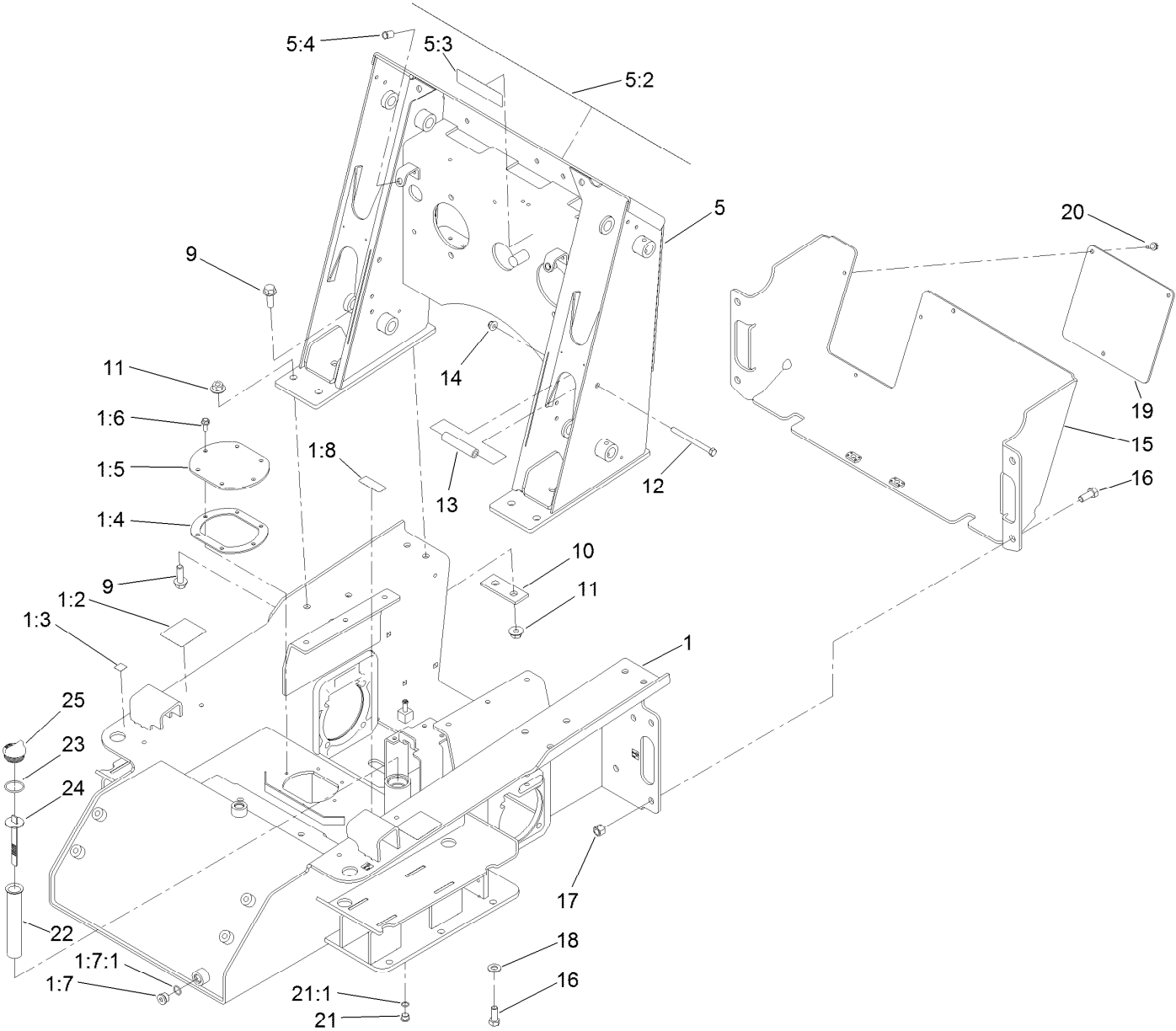
|   |    |
|---|----|
| Main Frame Assembly . . . . .                               | 6  |
| Rear Access Cover Assembly . . . . .                        | 8  |
| Engine, Muffler and Air Cleaner Assembly . . . . .          | 10 |
| Air Cleaner Assembly No. 93-2190 . . . . .                  | 12 |
| Fuel Tank, Fuel Pump and Filter Assembly . . . . .          | 14 |
| Radiator and Oil Cooler Assembly . . . . .                  | 16 |
| Track and Traction Assembly . . . . .                       | 18 |
| Control Panel Assembly . . . . .                            | 20 |
| Traction Control Assembly . . . . .                         | 22 |
| Control Handle and Reference Bar Assembly . . . . .         | 24 |
| Parking Brake Assembly . . . . .                            | 26 |
| Loader Arm Assembly . . . . .                               | 28 |
| Loader Arm Hydraulic Assembly . . . . .                     | 30 |
| Hydraulic Cylinder Assembly No. 139-0777 . . . . .          | 32 |
| Hydraulic Cylinder Assembly No. 139-0776 . . . . .          | 34 |
| Hydraulic Cylinder Assembly No. 139-0778 . . . . .          | 36 |
| Grill Assembly . . . . .                                    | 38 |
| Hood Assembly . . . . .                                     | 40 |
| Hydraulic Pump and Filter Assembly . . . . .                | 42 |
| Hydraulic Pump Assembly No. 106-9589 . . . . .              | 44 |
| Traction Hydraulic Assembly . . . . .                       | 46 |
| Hydraulic Motor Assembly No. 106-7654 . . . . .             | 48 |
| Hydraulic Pump Assembly No. 106-9590 and 106-9591 . . . . . | 49 |
| Principal Hydraulic Assembly . . . . .                      | 50 |
| One Spool Valve Assembly No. 104-2831 . . . . .             | 52 |
| Two Spool Valve Assembly No. 144-7354 . . . . .             | 53 |
| Auxiliary Hydraulic Assembly . . . . .                      | 54 |
| Drive Assembly . . . . .                                    | 56 |
| Electrical Assembly . . . . .                               | 58 |
| Fuel Gauge, Hour Meter and Ignition Assembly . . . . .      | 60 |
| Crankcase Assembly . . . . .                                | 62 |
| Oil Pan and Oil Pump Assembly . . . . .                     | 63 |
| Cylinder Head Assembly . . . . .                            | 64 |
| Gear Case and Oil Filter Cartridge Assembly . . . . .       | 65 |
| Cylinder Head Cover Assembly . . . . .                      | 66 |
| Dipstick and Guide Assembly . . . . .                       | 67 |
| Main Bearing Case Assembly . . . . .                        | 68 |
| Camshaft and Idle Gear Shaft Assembly . . . . .             | 69 |
| Piston and Crankshaft Assembly . . . . .                    | 70 |
| Fuel Camshaft Assembly . . . . .                            | 71 |
| Idle Apparatus and Fuel Pump Cover Assembly . . . . .       | 72 |
| Stop Solenoid and Speed Control Plate Assembly . . . . .    | 73 |
| Injection Pump Assembly . . . . .                           | 74 |
| Governor Assembly . . . . .                                 | 75 |
| Nozzle Holder and Glow Plug Assembly . . . . .              | 76 |
| Nozzle Holder Assembly . . . . .                            | 77 |
| Alternator, Pulley and Fan Assembly . . . . .               | 80 |
| Alternator Components Assembly . . . . .                    | 81 |
| Starter and Flywheel Assembly . . . . .                     | 82 |
| Starter Component Assembly . . . . .                        | 83 |
| Water Flange and Thermostat Assembly . . . . .              | 84 |
| Water Pump and Water Pipe Assembly . . . . .                | 85 |
| Valve and Rocker Arm Assembly . . . . .                     | 86 |
| Inlet and Exhaust Manifold Assembly . . . . .               | 87 |

# Contents (continued)

Miscellaneous Engine Parts ..... 88  
Upper Engine Gasket Kit..... 89  
Lower Engine Gasket Kit..... 90  
Attachments and Accessories ..... 91



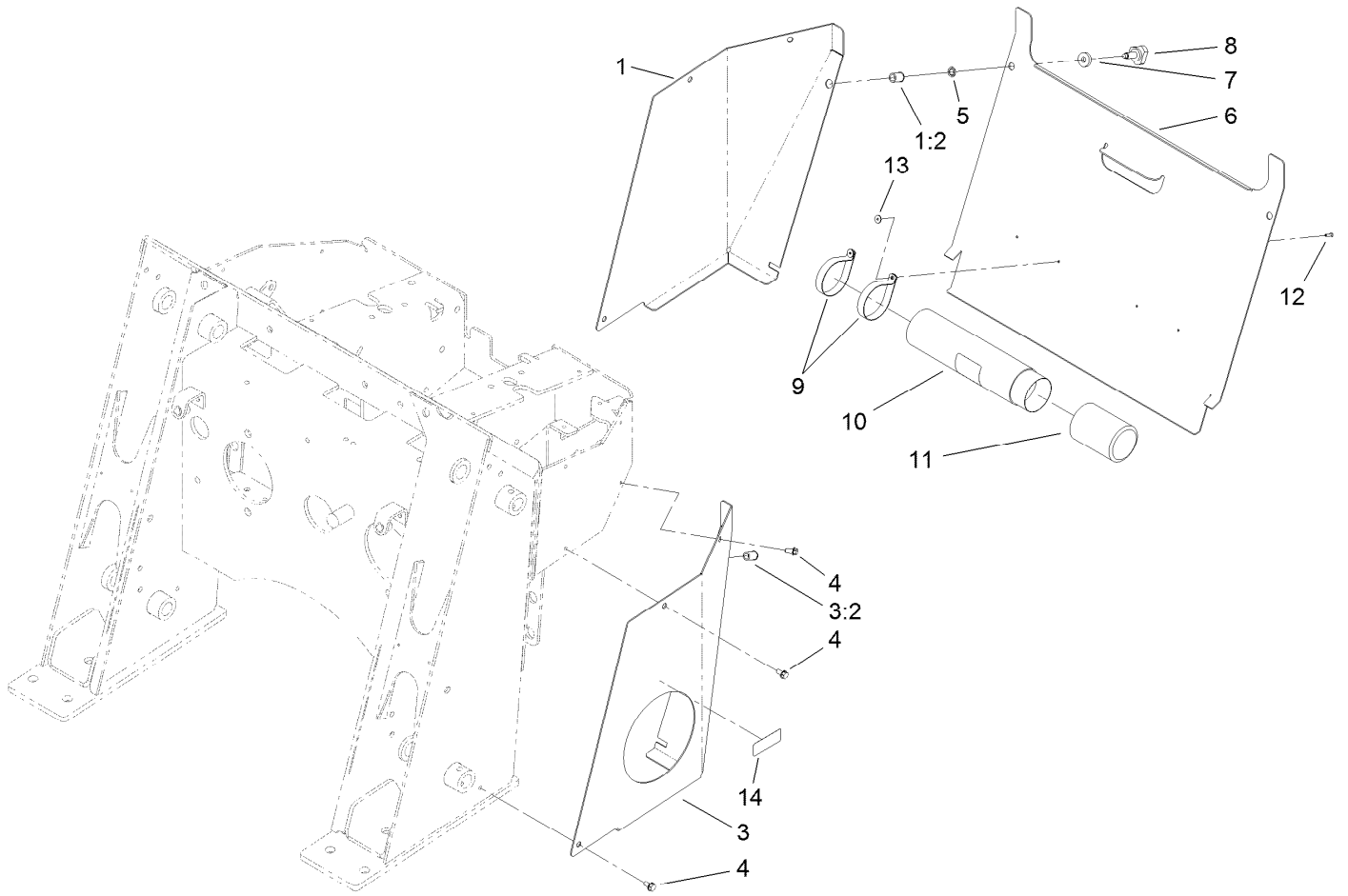
# Main Frame Assembly



## Main Frame Assembly (continued)

| <i>Ref.</i> | <i>Part Number</i> | <i>Qty.</i> | <i>Description</i>   | <i>Ref.</i> | <i>Part Number</i> | <i>Qty.</i> | <i>Description</i> |
|-------------|--------------------|-------------|----------------------|-------------|--------------------|-------------|--------------------|
| 1           | 115-4834           | 1           | Chassis ASM          | 12          | 323-23             | 2           | Screw-HH           |
| 1:2         | 100-4650           | 2           | Decal-Warning        | 13          | 100-1271           | 2           | Tube-Spacer        |
| 1:3         | 93-9084            | 4           | Decal-Point, Lift    | 14          | 104-8301           | 2           | Nut-HF, NI         |
| 1:4         | 107-3557           | 1           | Gasket-Cover, Access | 15          | 114-8911-01        | 1           | Cover-Rear         |
| 1:5         | 108-6297-01        | 1           | Cover-Tank           | 16          | 325-5              | 6           | Screw-HH           |
| 1:6         | 98-9940            | 6           | Screw-HHF            | 17          | 3296-23            | 4           | Nut-Lock, NI       |
| 1:7         | 353-988            | 2           | Plug-Hex             | 18          | 3256-26            | 2           | Washer-Flat        |
| 1:7:1       | 237-79             | 1           | O-Ring               | 19          | 108-6267-01        | 1           | Panel-Rear         |
| 1:8         | 93-6686            | 1           | Decal-Oil, HYD       | 20          | 32144-11           | 3           | Screw-HWH          |
| 5           | 117-9987           | 1           | Loader Tower ASM     | 21          | 353-989            | 1           | Plug-Hex, Hollow   |
| 5:2         | 138-0800           | 1           | Decal-Panel, Control | 21:1        | 237-42             | 1           | O-Ring             |
| 5:3         | 93-7814            | 1           | Decal-Danger         | 22          | 61-2790            | 1           | Filter-Screen      |
| 5:4         | 32148-8            | 2           | Nut-Clinch           | 23          | 237-101            | 1           | O-Ring             |
| 9           | 100-6116           | 10          | Screw-HHF            | 24          | 100-2097           | 1           | Dipstick-Oil       |
| 10          | 100-6123-03        | 2           | Plate-Stiffener      | 25          | 93-7498            | 1           | Plug-Plastic       |
| 11          | 32128-52           | 10          | Nut-Lock, Flange     |             |                    |             |                    |

# Rear Access Cover Assembly

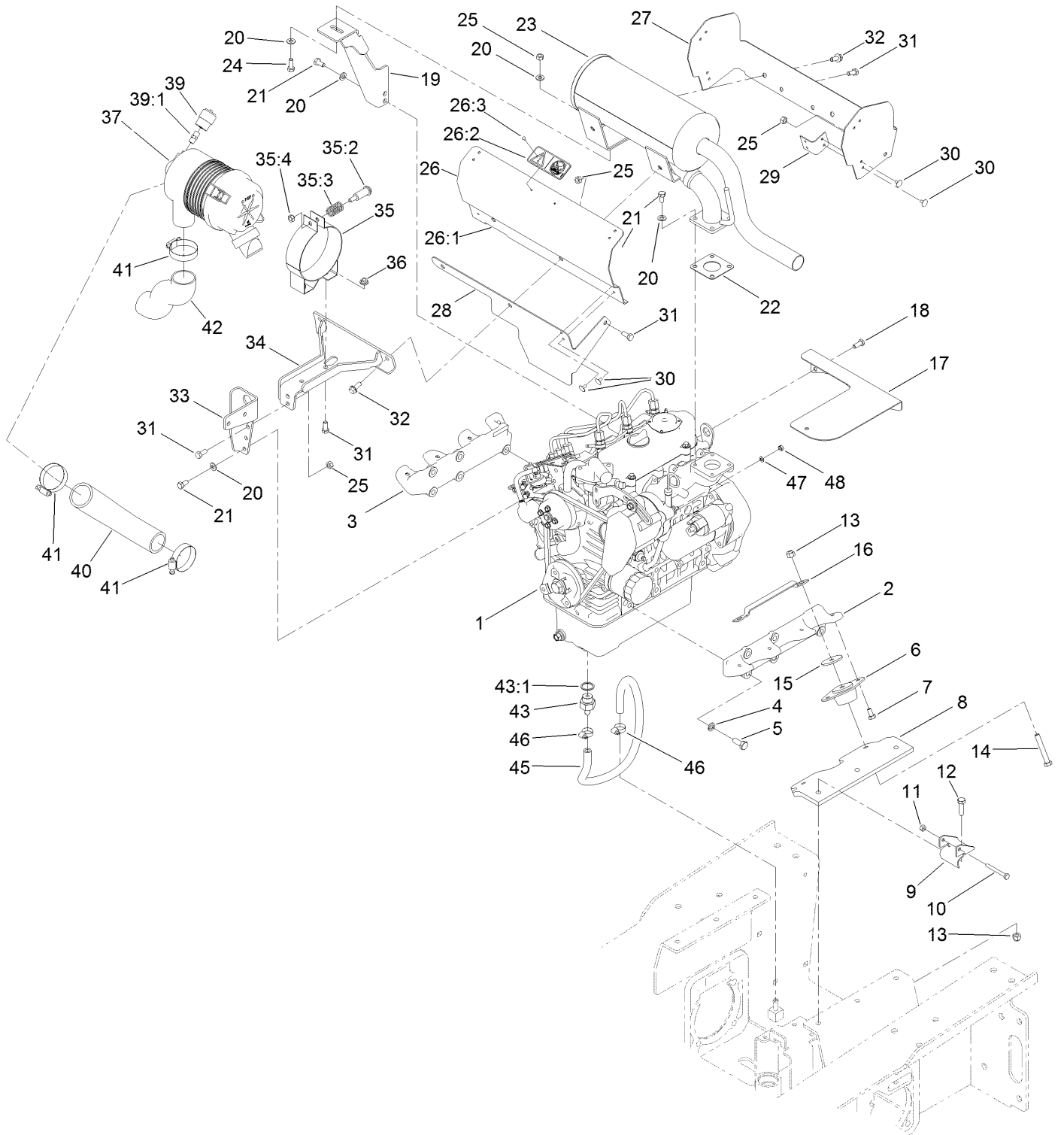




## Rear Access Cover Assembly (continued)

| <i>Ref.</i> | <i>Part Number</i> | <i>Qty.</i> | <i>Description</i>           | <i>Ref.</i> | <i>Part Number</i> | <i>Qty.</i> | <i>Description</i> |
|-------------|--------------------|-------------|------------------------------|-------------|--------------------|-------------|--------------------|
| 1           | 106-9342           | 1           | RH Rear Cover Support<br>ASM | 7           | 106-0565           | 2           | Washer-Rubber      |
| 1:2         | 32148-9            | 1           | Nut-Clinch                   | 8           | 95-9648            | 2           | Knob               |
| 3           | 106-9343           | 1           | LH Rear Cover Support<br>ASM | 9           | 2412-120           | 2           | Clamp-R            |
| 3:2         | 32148-9            | 1           | Nut-Clinch                   | 10          | 104-7050           | 1           | Tube-Manual        |
| 4           | 9266714            | 6           | Screw-HWH                    | 11          | 104-7048           | 1           | Cap-Housing        |
| 5           | 32151-72           | 2           | Ring-Retaining               | 12          | 3269-17            | 2           | Rivet-Pop          |
| 6           | 106-9339-01        | 1           | Cover-Access, Rear           | 13          | 3269-10            | 2           | Washer-Back        |
|             |                    |             |                              | 14          | 93-6680            | 1           | Decal-Diesel       |

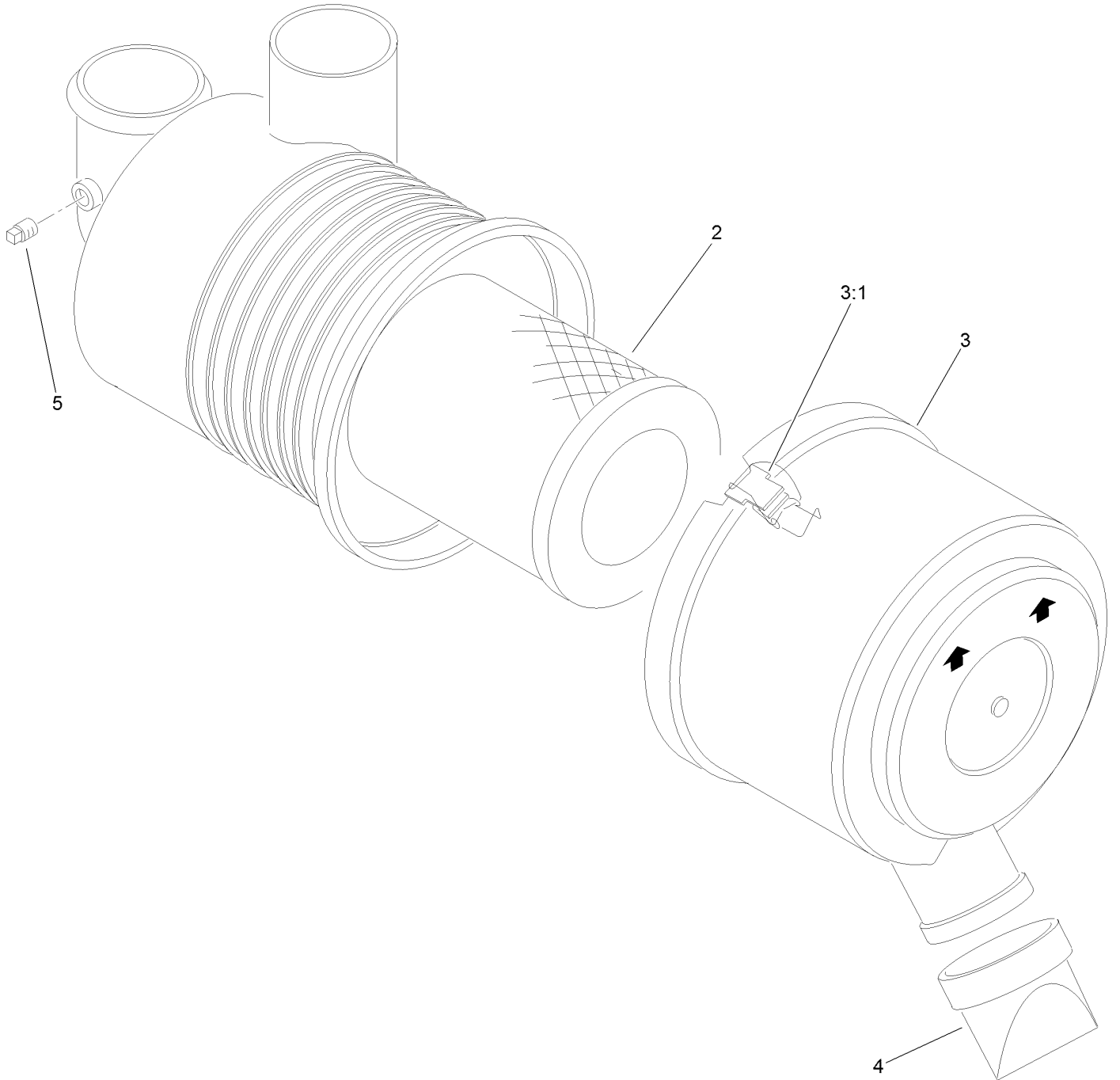
# Engine, Muffler and Air Cleaner Assembly



## Engine, Muffler and Air Cleaner Assembly (continued)

| <i>Ref.</i> | <i>Part Number</i> | <i>Qty.</i> | <i>Description</i>     | <i>Ref.</i> | <i>Part Number</i> | <i>Qty.</i> | <i>Description</i>               |
|-------------|--------------------|-------------|------------------------|-------------|--------------------|-------------|----------------------------------|
| 1           | 138-6910           | 1           | Engine-Kubota, D902    | 26:3        | 3269-31            | 2           | Rivet-Pop                        |
| 2           | 108-6269-03        | 1           | Mount-Engine, LH       | 27          | 108-6354           | 1           | Plate-Baffle                     |
| 3           | 108-6271-03        | 1           | Mount-Engine, RH       | 28          | 108-6356           | 1           | Plate-Baffle, Lower              |
| 4           | 48-9590            | 10          | Washer-Lock            | 29          | 112-2449           | 4           | Bracket-Shield                   |
| 5           | 43-0090            | 10          | Screw-HH               | 30          | 146489             | 16          | Rivet                            |
| 6           | 120-6274           | 4           | Mount-Engine           | 31          | 322-3              | 7           | Screw-HH                         |
| 7           | 322-2              | 8           | Screw-HH               | 32          | 3234-5             | 4           | Screw-HHF                        |
| 8           | 107-3617-03        | 2           | Plate-Mount, Engine    | 33          | 107-3645-03        | 1           | Mount-Filter, Air                |
| 9           | 112-2533-03        | 2           | Guide-Cable            | 34          | 108-6390-03        | 1           | Bracket ASM                      |
| 10          | 321-18             | 2           | Screw-HH               | 35          | 93-2191            | 1           | Air Cleaner Mounting Band<br>ASM |
| 11          | 32152-4            | 2           | Nut-Lock, Cone         | 35:2        | 94-3653            | 1           | Bolt                             |
| 12          | 323-7              | 6           | Screw-HH               | 35:3        | 94-3654            | 1           | Spring                           |
| 13          | 3296-39            | 10          | Nut-Lock, NI           | 35:4        | 48-9510            | 1           | *obs* Nut                        |
| 14          | 323-12             | 4           | Screw-HH               | 36          | 32128-20           | 2           | Nut-HF                           |
| 15          | 63-7400            | 4           | Washer-Rebound         | 37          | 93-2190            | 1           | Air Cleaner ASM                  |
| 16          | 108-6340           | 2           | Strap-Rebound          | 39          | 104-3563           | 1           | Indicator                        |
| 17          | 108-6362           | 1           | Plate-Baffle, Starter  | 39:1        | 94-1416            | 1           | Adapter-Indicator                |
| 18          | 33114-020          | 2           | Screw-HH               | 40          | 108-6336           | 1           | Hose-Air, Inlet                  |
| 19          | 112-2403-03        | 1           | Support-Muffler        | 41          | 2412-92            | 3           | Clamp-Hose                       |
| 20          | 3256-23            | 10          | Washer-Plain           | 42          | 112-2431           | 1           | Hose-Air                         |
| 21          | 99-5132            | 8           | Bolt                   | 43          | 114-8587           | 1           | Fitting-Hose                     |
| 22          | 99-8343            | 1           | Gasket-Muffler         | 43:1        | 98-9399            | 1           | Gasket                           |
| 23          | 106-9584           | 1           | Muffler ASM            | 45          | 114-8599           | 1           | Hose-Drain, Engine Oil           |
| 24          | 322-4              | 1           | Screw-HH               | 46          | 2412-36            | 2           | Clamp-Hose                       |
| 25          | 32152-1            | 6           | Nut-Lock, Cone         | 47          | 43-5930            | 1           | Washer-Lock, Spring              |
| 26          | 112-2564           | 1           | Heat Shield Baffle ASM | 48          | 43-2830            | 1           | Nut-Hex                          |
| 26:1        | 108-6355           | 1           | Plate-Baffle, Muffler  |             |                    |             |                                  |
| 26:2        | 115-4882           | 1           | Plate-Hot Surface      |             |                    |             |                                  |

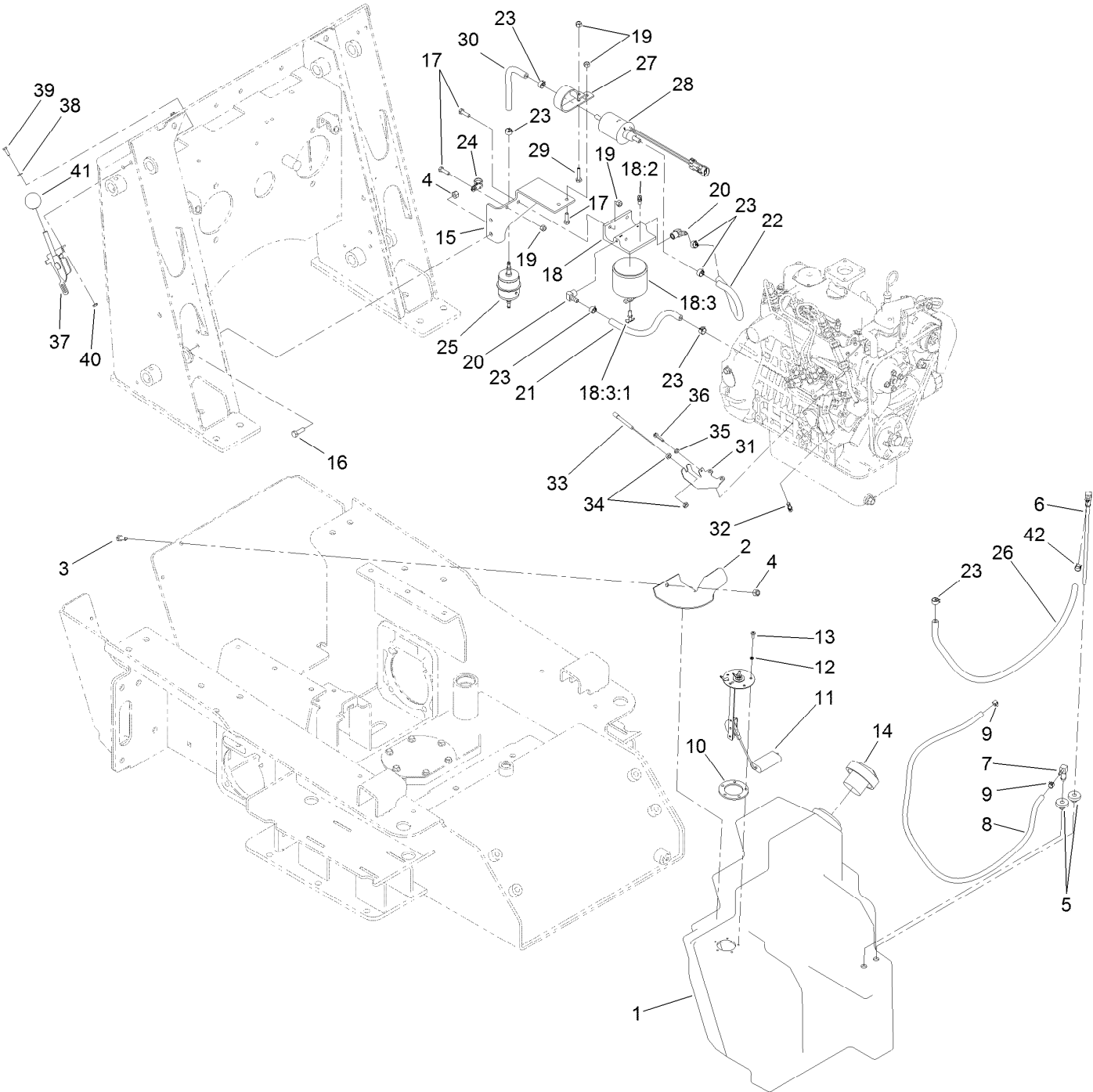
# Air Cleaner Assembly No. 93-2190



## Air Cleaner Assembly No. 93-2190 (continued)

| <i>Ref.</i> | <i>Part Number</i> | <i>Qty.</i> | <i>Description</i>   | <i>Ref.</i> | <i>Part Number</i> | <i>Qty.</i> | <i>Description</i> |
|-------------|--------------------|-------------|----------------------|-------------|--------------------|-------------|--------------------|
| 2           | 108-3811           | 1           | Filter-Air V-Twin HD | 4           | 87-9400            | 1           | Valve-Vacuator     |
| 3           | 94-3652            | 1           | Cover ASM            | 5           | 285-17             | 1           | Plug-Pipe          |
| 3:1         | 1-643283           | 2           | Latch-Cleaner, Air   |             |                    |             |                    |

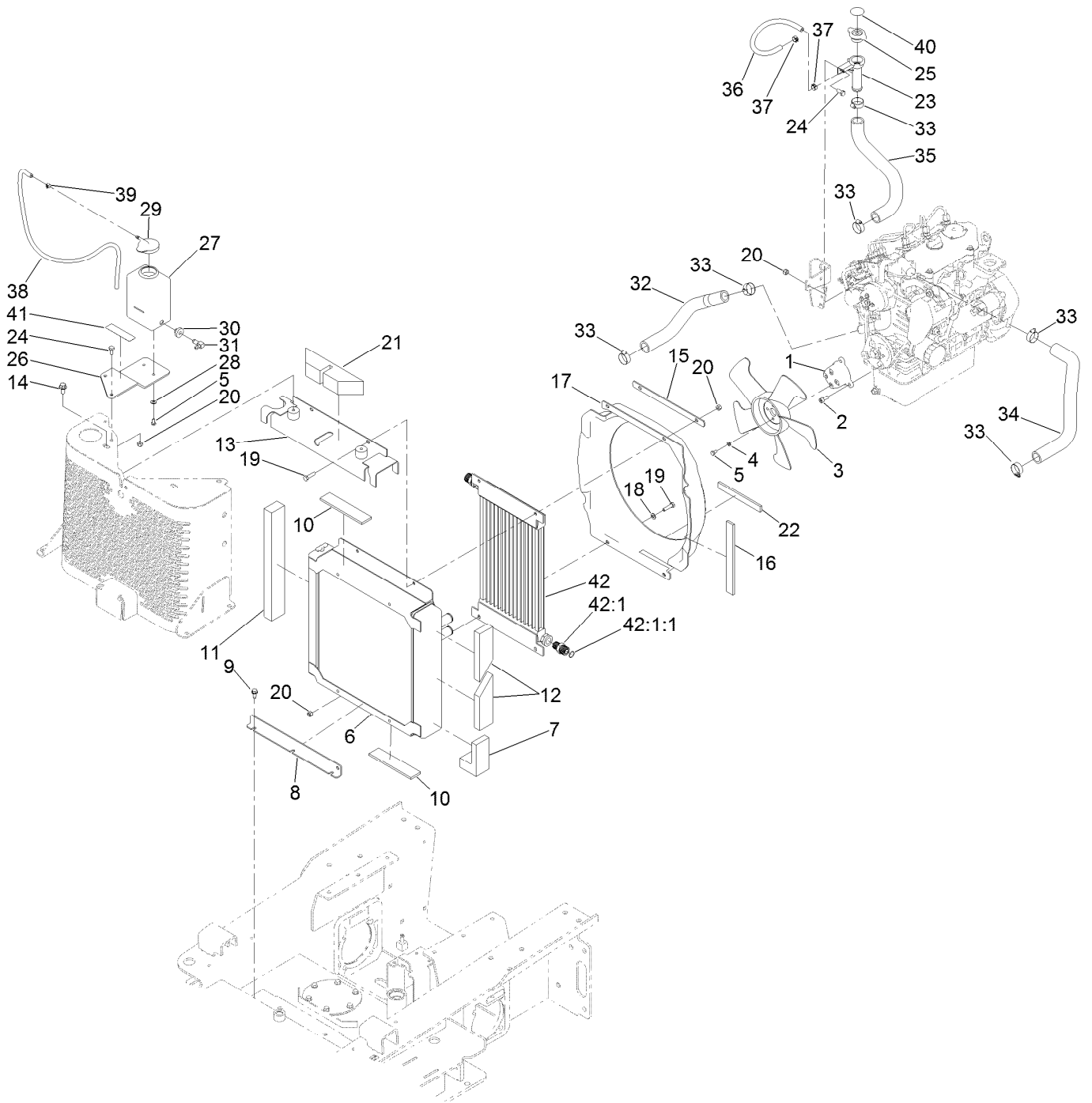
# Fuel Tank, Fuel Pump and Filter Assembly



## Fuel Tank, Fuel Pump and Filter Assembly (continued)

| <i>Ref.</i> | <i>Part Number</i> | <i>Qty.</i> | <i>Description</i>    | <i>Ref.</i> | <i>Part Number</i> | <i>Qty.</i> | <i>Description</i>        |
|-------------|--------------------|-------------|-----------------------|-------------|--------------------|-------------|---------------------------|
| 1           | 115-4800           | 1           | Tank-Fuel             | 21          | 110-4124           | 1           | Hose-Fuel                 |
| 2           | 108-6273-03        | 1           | Clamp-Tank, Fuel      | 22          | 106-1126           | 1           | Hose-Fuel                 |
| 3           | 322-3              | 1           | Screw-HH              | 23          | 92-2379            | 7           | Clamp-Hose                |
| 4           | 3296-29            | 3           | Nut-Lock, NI          | 24          | 2412-134           | 1           | Clamp-R                   |
| 5           | 46-6560            | 2           | Bushing               | 25          | 112-7836           | 1           | Filter-Inline             |
| 6           | 98-0185            | 1           | Pipe-Stand            | 26          | 109-0302           | 1           | Hose-Fuel                 |
| 7           | 104-5228           | 1           | Fitting-Elbow, 90 DEG | 27          | 110-8817           | 1           | Bracket-Pump, Fuel        |
| 8           | 110-3958           | 1           | Hose-Fuel             | 28          | 110-8806           | 1           | Pump-Fuel                 |
| 9           | 2412-80            | 2           | Clamp-Hose            | 29          | 321-8              | 1           | Screw-HH                  |
| 10          | 113372             | 1           | Gasket-Sender, Fuel   | 30          | 108-3280           | 1           | Hose-Fuel                 |
| 11          | 120-5391           | 1           | Sender-Fuel           | 31          | 108-5922           | 1           | Bracket-Support, Throttle |
| 12          | 3253-17            | 5           | Washer-Lock           | 32          | 108-5928           | 1           | Swivel-Stop, Cable        |
| 13          | 3250-31            | 5           | Screw-PPH             | 33          | 108-6337           | 1           | Cable-Throttle            |
| 14          | 107-2172           | 1           | Cap-Diesel            | 34          | 3220-1             | 2           | Nut-Jam                   |
| 15          | 117-1346-03        | 1           | Bracket-Pump, Fuel    | 35          | 3217-26            | 1           | Nut-Hex                   |
| 16          | 322-5              | 2           | Screw-HH              | 36          | 117-1701           | 1           | Screw-HWHTF               |
| 17          | 321-5              | 4           | Screw-HH              | 37          | 108-9730           | 1           | Lever-Control             |
| 18          | 109-2678           | 1           | Filter ASM            | 38          | 3256-51            | 2           | Washer-Flat               |
| 18:2        | 63-8290            | 1           | Vent-Air              | 39          | 3290-134           | 2           | Screw                     |
| 18:3        | 63-8300            | 1           | Element-Spin On       | 40          | 32149-7            | 2           | Nut-Keps                  |
| 18:3:1      | 63-8310            | 1           | Valve-Drain           | 41          | 233-42             | 1           | Knob                      |
| 19          | 3296-42            | 5           | Nut-Lock, NI          | 42          | 2412-98            | 1           | Clamp-Hose                |
| 20          | 353-781            | 2           | Fitting-HYD, 90       |             |                    |             |                           |

# Radiator and Oil Cooler Assembly

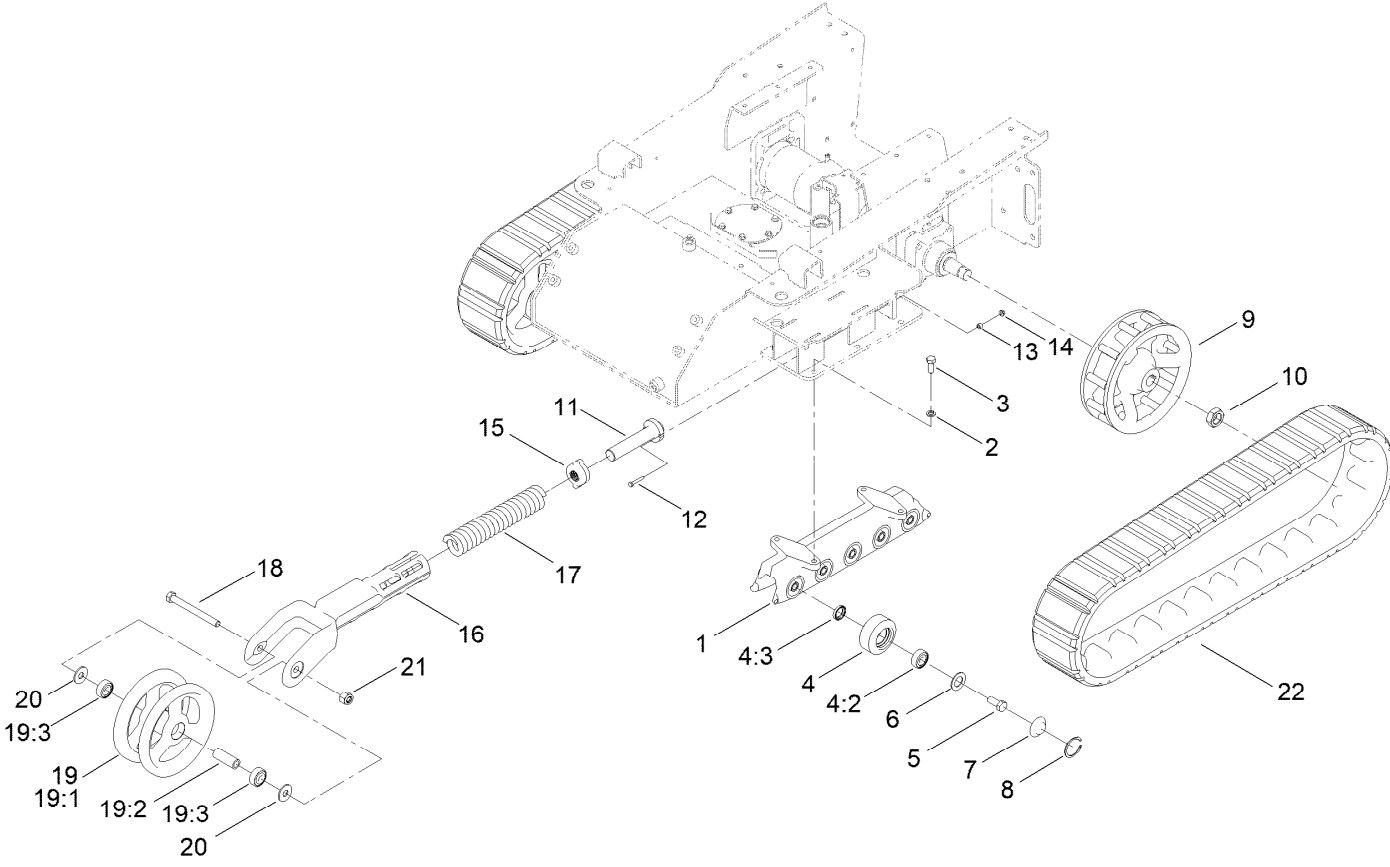




## Radiator and Oil Cooler Assembly (continued)

| <i>Ref.</i> | <i>Part Number</i> | <i>Qty.</i> | <i>Description</i> | <i>Ref.</i> | <i>Part Number</i> | <i>Qty.</i> | <i>Description</i>     |
|-------------|--------------------|-------------|--------------------|-------------|--------------------|-------------|------------------------|
| 1           | 112-2576-03        | 1           | Spacer-Machined    | 23          | 139-0772           | 1           | Tube-Filler Radiator   |
| 2           | 108-6343           | 3           | Screw-HSH,Lock     | 24          | 322-3              | 4           | Screw-HH               |
| 3           | 112-2513           | 1           | Fan                | 25          | 93-5957            | 1           | Cap-Radiator           |
| 4           | 3253-3             | 4           | Washer-Lock        | 26          | 112-2458-03        | 1           | Bracket-Tank, Overflow |
| 5           | 321-2              | 6           | Screw-HH           | 27          | 1-643163           | 1           | Tank-Overflow          |
| 6           | 139-0774           | 1           | Radiator           | 28          | 3256-22            | 2           | Washer-Flat            |
| 7           | 108-6375           | 2           | Seal-Foam          | 29          | 1-643164           | 1           | Cap-Tank, Overflow     |
| 8           | 108-6397-03        | 1           | Mount-Radiator     | 30          | 46-6560            | 1           | Bushing                |
| 9           | 32144-11           | 3           | Screw-HWH          | 31          | 46-6550            | 1           | Fitting-Elbow, 90 DEG  |
| 10          | 112-2401           | 4           | Pad-Rubber         | 32          | 108-6309           | 1           | Hose-Radiator          |
| 11          | 108-6369           | 1           | Seal-Foam          | 33          | 2412-34            | 6           | Clamp-Hose             |
| 12          | 108-6371           | 2           | Seal-Foam          | 34          | 112-2459           | 1           | Hose-Radiator, Lower   |
| 13          | 112-2440-03        | 1           | Bracket-Radiator   | 35          | 108-6310           | 1           | Hose-Radiator          |
| 14          | 3234-12            | 2           | Screw-HHF          | 36          | 110-4110           | 1           | Hose-Fuel              |
| 15          | 108-6395-03        | 1           | Plate-Backing      | 37          | 92-2379            | 2           | Clamp-Hose             |
| 16          | 112-2529           | 2           | Foam-Seal          | 38          | 108-6344           | 1           | Hose-Fuel              |
| 17          | 137-8824           | 1           | Shroud-Fan         | 39          | 2412-80            | 1           | Clamp-Hose             |
| 18          | 3256-23            | 2           | Washer-Plain       | 40          | 106-6755           | 1           | Decal-Cap, Radiator    |
| 19          | 322-6              | 4           | Screw-HH           | 41          | 115-4865           | 1           | Decal-Fill, Radiator   |
| 20          | 3296-29            | 8           | Nut-Lock, NI       | 42          | 139-0775           | 1           | Cooler-Oil, HYD        |
| 21          | 108-6372           | 1           | Seal-Foam          | 42:1        | 139-0809           | 2           | Fitting-Straight       |
| 22          | 112-2466           | 1           | Pad-Rubber         | 42:1:1      | 237-65             | 1           | O-Ring                 |

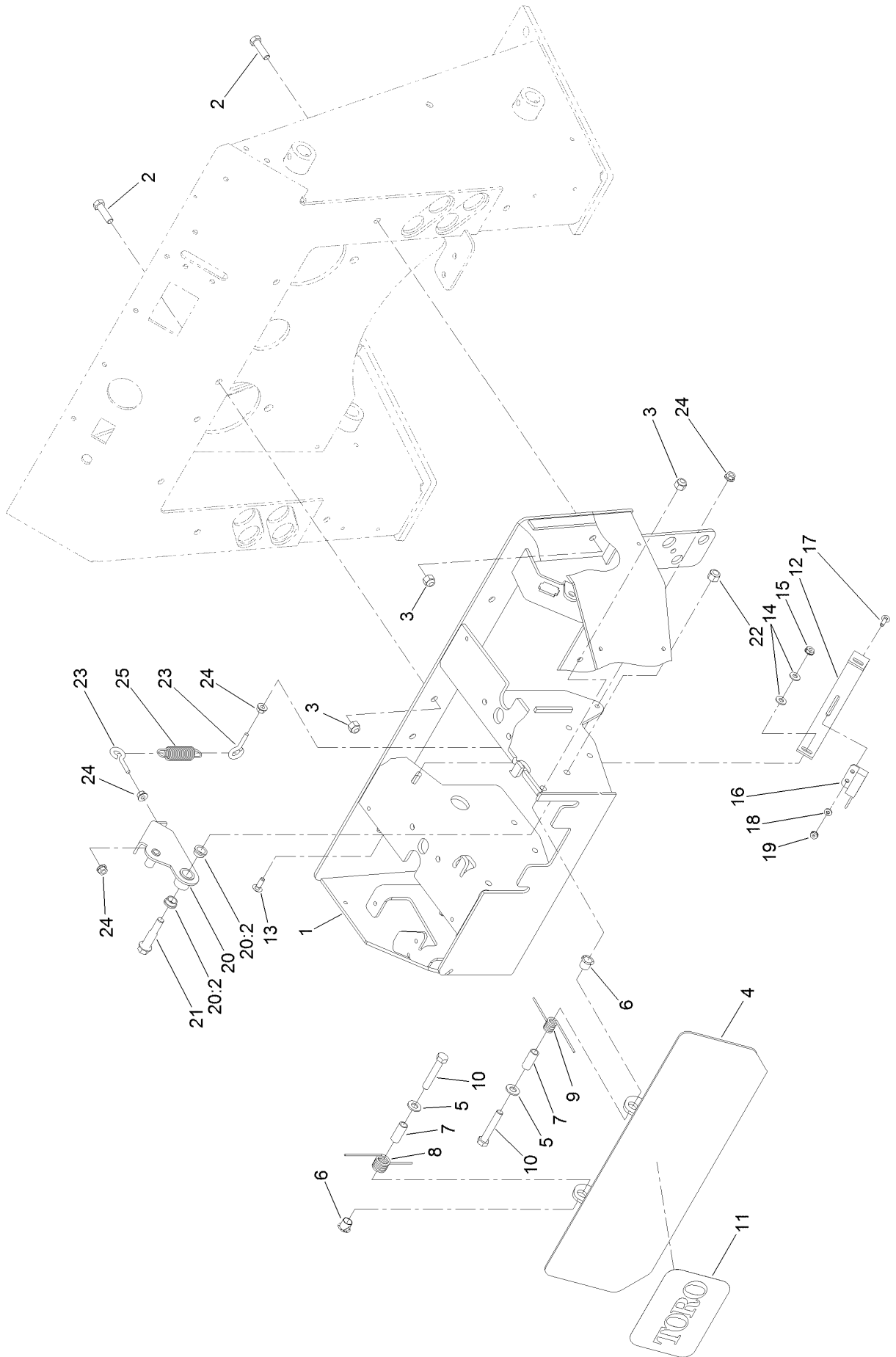
# Track and Traction Assembly



## Track and Traction Assembly (continued)

| <i>Ref.</i> | <i>Part Number</i> | <i>Qty.</i> | <i>Description</i>               | <i>Ref.</i> | <i>Part Number</i> | <i>Qty.</i> | <i>Description</i>      |
|-------------|--------------------|-------------|----------------------------------|-------------|--------------------|-------------|-------------------------|
| 1           | 117-1310-0P        | 2           | Guide-Track, Tx Narrow<br>[prime | 12          | 321-37             | 2           | Screw-HH                |
| 2           | 3253-7             | 8           | Washer-Lock                      | 13          | 98-4799            | 2           | Spacer                  |
| 3           | 325-5              | 8           | Screw-HH                         | 14          | 32128-32           | 2           | Nut-HHF                 |
| 4           | 138-0782           | 20          | Road Wheel ASM                   | 15          | 108-4664           | 2           | Block-Tensioner         |
| 4:2         | 120-5378           | 1           | Bearing-Ball                     | 16          | 108-4691-03        | 2           | Arm-Tensioner           |
| 4:3         | 253-118            | 1           | Seal-Oil                         | 17          | 95-3624            | 2           | Spring-Compression      |
| 5           | 327-4              | 20          | Screw-HH                         | 18          | 327-17             | 2           | Screw-HH                |
| 6           | 106-7585           | 20          | Gasket-Bogie                     | 19          | 104-5745           | 2           | Tensioner Wheel ASM     |
| 7           | 106-7557           | 20          | Cap-Wheel, Bearing               | 19:1        | 104-5747-03        | 1           | Wheel-Tensioner         |
| 8           | 106-7595           | 20          | Ring-Snap, Internal              | 19:2        | 98-9835            | 1           | Spacer-Wheel, Tensioner |
| 9           | 108-5643-03        | 2           | Wheel-Drive                      | 19:3        | 120-5378           | 2           | Bearing-Ball            |
| 10          | 107-9319           | 2           | Nut-Hex                          | 20          | 3256-7             | 4           | Washer-Flat             |
| 11          | 98-9846            | 2           | Bolt-Tensioner                   | 21          | 3296-24            | 2           | Nut-Hex                 |
|             |                    |             |                                  | 22          | 136-5847           | 2           | Track                   |

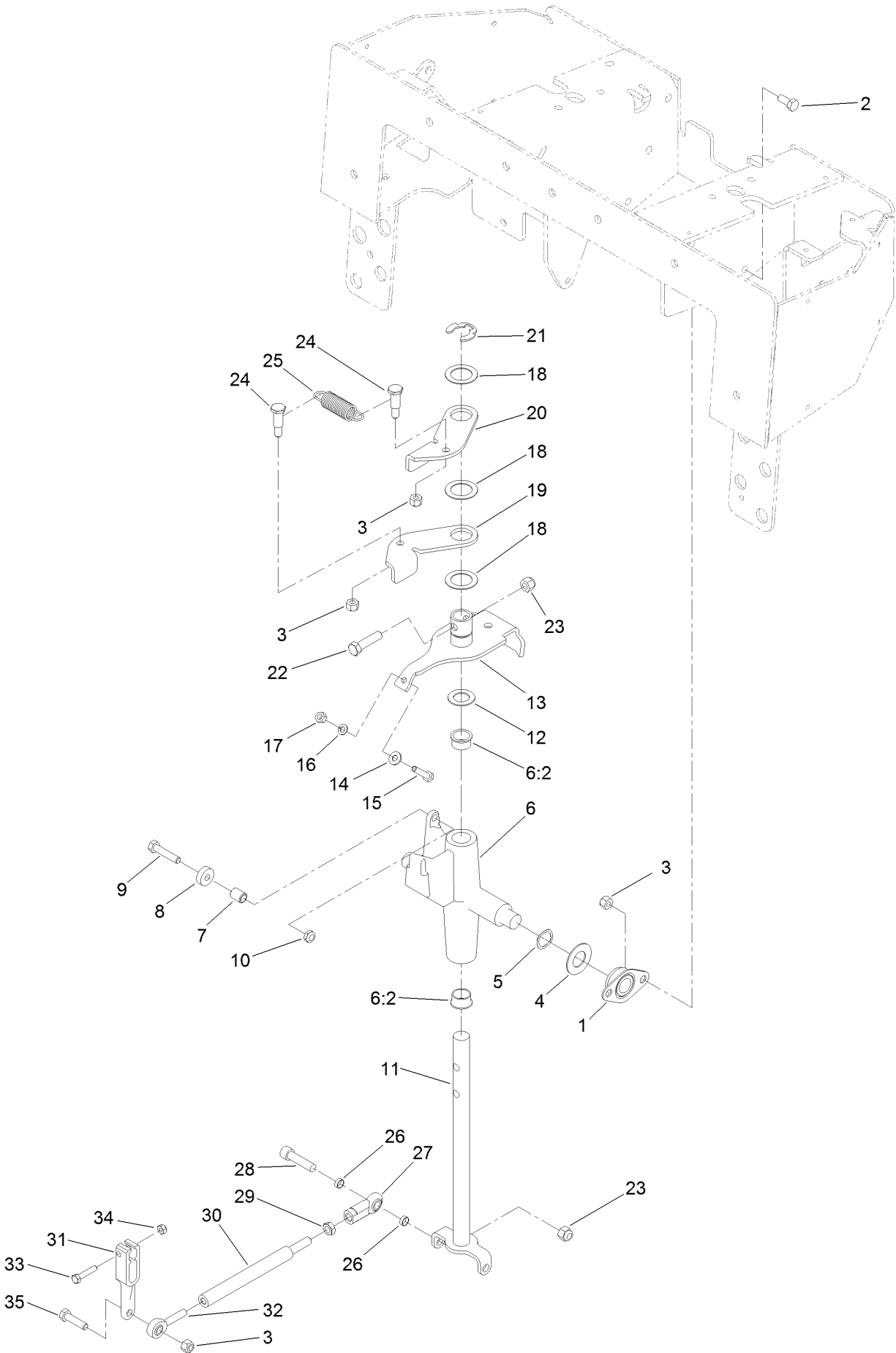
# Control Panel Assembly



## Control Panel Assembly (continued)

| <i>Ref.</i> | <i>Part Number</i> | <i>Qty.</i> | <i>Description</i> | <i>Ref.</i> | <i>Part Number</i> | <i>Qty.</i> | <i>Description</i>             |
|-------------|--------------------|-------------|--------------------|-------------|--------------------|-------------|--------------------------------|
| 1           | 110-0228-01        | 1           | Panel-Control      | 15          | 32149-2            | 2           | Nut-Keps                       |
| 2           | 323-7              | 5           | Screw-HH           | 16          | 100-1270           | 1           | Switch-Proximity               |
| 3           | 3296-39            | 7           | Nut-Lock, NI       | 17          | 3229-20            | 2           | Screw-CARR                     |
| 4           | 112-2786-03        | 1           | Plate-Reverse      | 18          | 3256-51            | 2           | Washer-Flat                    |
| 5           | 3256-24            | 2           | Washer-Plain       | 19          | 32149-7            | 2           | Nut-Keps                       |
| 6           | 256-257            | 2           | Bushing-Nyliner    | 20          | 100-4203           | 1           | Neutral Centering Lever<br>ASM |
| 7           | 114-1337           | 2           | Spacer-Spring      | 20:2        | 256-156            | 2           | Bushing-Flange                 |
| 8           | 98-8424            | 1           | Spring-Torsion, RH | 21          | 66-0560            | 1           | Bolt-Shoulder                  |
| 9           | 98-8425            | 1           | Spring-Torsion, LH | 22          | 3296-6             | 1           | Nut-Lock                       |
| 10          | 323-11             | 2           | Screw-HH           | 23          | 71-2870            | 2           | Bolt-Eye                       |
| 11          | 105-1217           | 1           | Decal              | 24          | 32128-32           | 4           | Nut-HHF                        |
| 12          | 100-1263           | 1           | Plate-Switch       | 25          | 108-4724           | 1           | Spring-Extension               |
| 13          | 3229-1             | 2           | Screw-CARR         |             |                    |             |                                |
| 14          | 3256-22            | 4           | Washer-Flat        |             |                    |             |                                |

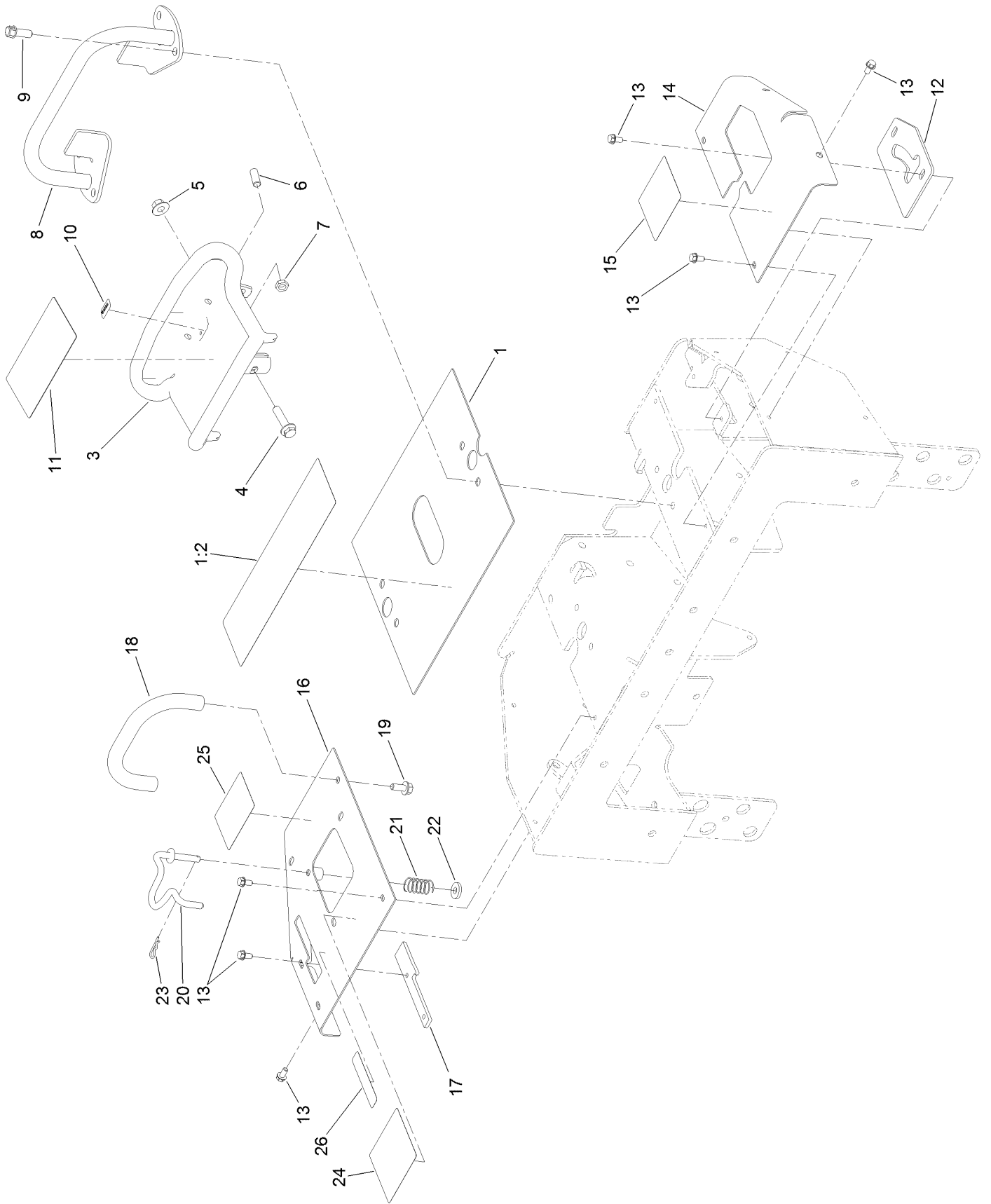
# Traction Control Assembly



## Traction Control Assembly (continued)

| <i>Ref.</i> | <i>Part Number</i> | <i>Qty.</i> | <i>Description</i>    | <i>Ref.</i> | <i>Part Number</i> | <i>Qty.</i> | <i>Description</i>  |
|-------------|--------------------|-------------|-----------------------|-------------|--------------------|-------------|---------------------|
| 1           | 27-2320            | 2           | Bearing               | 18          | 108-9743           | 3           | Washer-Plain        |
| 2           | 322-3              | 4           | Screw-HH              | 19          | 98-8407            | 1           | Lever-Return, RH    |
| 3           | 3296-29            | 8           | Nut-Lock, NI          | 20          | 98-8408            | 1           | Lever-Return, LH    |
| 4           | 3256-39            | 2           | Washer-Flat           | 21          | 32151-91           | 1           | Ring-Retaining      |
| 5           | 95-3703            | 2           | Washer-Spring, Wave   | 22          | 323-8              | 1           | Screw-HH            |
| 6           | 106-5737           | 1           | Control Support ASM   | 23          | 3296-39            | 3           | Nut-Lock, NI        |
| 6:2         | 256-252            | 2           | Bearing-Flange        | 24          | 63-2650            | 2           | Screw-Shoulder      |
| 7           | 88-7450            | 1           | Spacer-Lever, Control | 25          | 108-4724           | 1           | Spring-Extension    |
| 8           | 251-259            | 1           | Bearing-Ball          | 26          | 117-9915           | 4           | Spacer              |
| 9           | 322-7              | 1           | Screw-HH              | 27          | 103-1167           | 2           | Joint-Ball End, LH  |
| 10          | 3296-47            | 1           | Nut-Lock,NI           | 28          | 3274-2             | 2           | Screw-HSH           |
| 11          | 117-6335           | 1           | Rod-Drive             | 29          | 3220-16            | 2           | Nut-Hex Jam, LH     |
| 12          | 257-8              | 1           | Washer-Thrust         | 30          | 117-9900           | 2           | Rod-Linkage         |
| 13          | 112-2783           | 1           | Lever-Pivot           | 31          | 117-3964-03        | 2           | Arm-Control, Pump   |
| 14          | 3256-22            | 1           | Washer-Flat           | 32          | 117-9969           | 2           | Bearing-Rod End, RH |
| 15          | 114-0282           | 1           | Screw-HH              | 33          | 33113-030          | 2           | Screw-HH            |
| 16          | 3253-3             | 1           | Washer-Lock           | 34          | 33023-00           | 2           | Nut-Lock            |
| 17          | 3217-5             | 1           | Nut-Hex               | 35          | 322-6              | 2           | Screw-HH            |

# Control Handle and Reference Bar Assembly

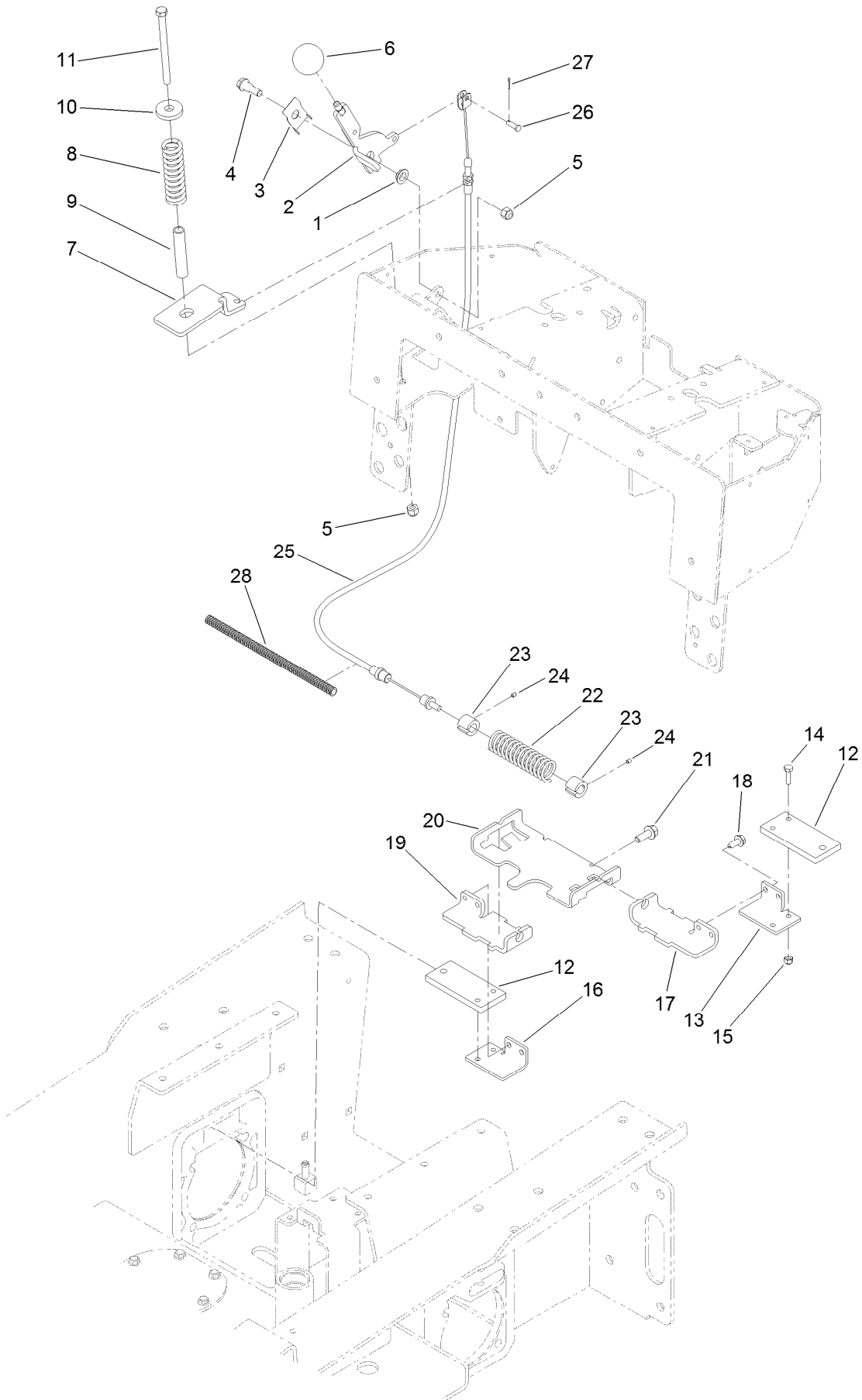




## Control Handle and Reference Bar Assembly (continued)

| <i>Ref.</i> | <i>Part Number</i> | <i>Qty.</i> | <i>Description</i> | <i>Ref.</i> | <i>Part Number</i> | <i>Qty.</i> | <i>Description</i>       |
|-------------|--------------------|-------------|--------------------|-------------|--------------------|-------------|--------------------------|
| 1           | 108-4643           | 1           | Center Panel ASM   | 14          | 112-2737-01        | 1           | Panel-LH                 |
| 1:2         | 115-4860           | 1           | Decal-Danger       | 15          | 115-4861           | 1           | Decal-Control, Auxiliary |
| 3           | 120-5380-03        | 1           | Handle-Control     | 16          | 115-4836-01        | 1           | Panel-RH                 |
| 4           | 3234-18            | 1           | Screw-HHF          | 17          | 112-2691           | 1           | Plate-Locking, Brake     |
| 5           | 32128-43           | 1           | Nut-Flange         | 18          | 112-2620           | 1           | Bar-Reference            |
| 6           | 3247-6             | 2           | Screw-Set          | 19          | 3234-5             | 2           | Screw-HHF                |
| 7           | 3218-3             | 2           | Nut-Jam            | 20          | 115-4580           | 1           | Rod-Interlock            |
| 8           | 106-7715           | 1           | Bar-Reference      | 21          | 85-6750            | 1           | Spring-Control           |
| 9           | 95-1726            | 4           | Screw-Taptite      | 22          | 88-7200            | 1           | Washer-Flat              |
| 10          | 98-1459            | 1           | Decal              | 23          | 3290-307           | 1           | Pin-Cotter               |
| 11          | 115-4020           | 1           | Decal-Traction     | 24          | 115-4857           | 1           | Decal-Control, Loader    |
| 12          | 112-2749-01        | 1           | Plate-Stop         | 25          | 115-4862           | 1           | Decal-Loader Lock        |
| 13          | 9266714            | 11          | Screw-HWH          | 26          | 115-4859           | 1           | Decal-Brake              |

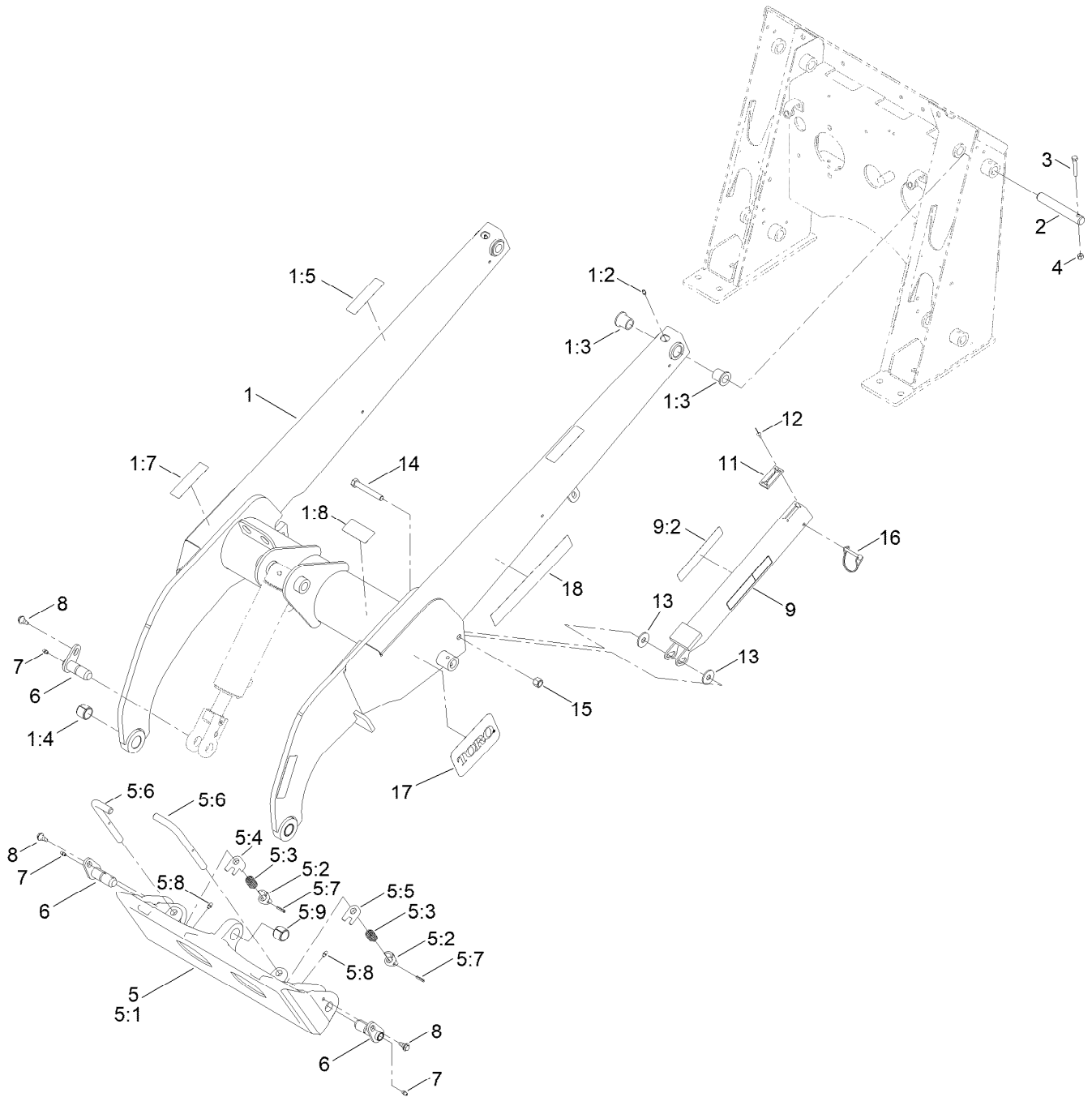
# Parking Brake Assembly



## Parking Brake Assembly (continued)

| <i>Ref.</i> | <i>Part Number</i> | <i>Qty.</i> | <i>Description</i>    | <i>Ref.</i> | <i>Part Number</i> | <i>Qty.</i> | <i>Description</i>            |
|-------------|--------------------|-------------|-----------------------|-------------|--------------------|-------------|-------------------------------|
| 1           | 93-2368            | 1           | Bushing-Flange        | 16          | 112-2789-03        | 1           | Bar-Link, Brake RH            |
| 2           | 112-2694-03        | 1           | Handle-Brake          | 17          | 112-2733-03        | 1           | Bracket-Mounting, Brake LH    |
| 3           | 112-2695           | 1           | Spring-Leaf           | 18          | 32104-32           | 4           | Screw-HWH                     |
| 4           | 94-6177            | 1           | Bolt-Shoulder         | 19          | 112-2788-03        | 1           | Bracket-Mounting, Brake<br>RH |
| 5           | 3296-39            | 2           | Nut-Lock, NI          | 20          | 110-0224-03        | 1           | Support-Bar, Brake            |
| 6           | 233-21             | 1           | Knob                  | 21          | 3234-11            | 2           | Screw-HHF                     |
| 7           | 115-4854-03        | 1           | Bracket-Cable, Spring | 22          | 100-1678           | 1           | Spring                        |
| 8           | 114-1254           | 1           | Spring-Compression    | 23          | 100-6274           | 2           | Tube-Guide                    |
| 9           | 114-1255           | 1           | Spacer-Spring         | 24          | 3245-20            | 2           | Screw-Set                     |
| 10          | 98-0691            | 1           | Washer-Hardened       | 25          | 112-2791           | 1           | Cable-Brake                   |
| 11          | 323-39             | 1           | Screw-HH              | 26          | 283-67             | 1           | Pin-Clevis                    |
| 12          | 112-2735-03        | 2           | Plate-Brake           | 27          | 3272-1             | 1           | Pin-Cotter                    |
| 13          | 112-2734-03        | 1           | Bar-Link, Brake LH    | 28          | 100-4697           | 1           | Tube-Convuluted               |
| 14          | 321-6              | 4           | Screw-HH              |             |                    |             |                               |
| 15          | 3296-42            | 4           | Nut-Lock, NI          |             |                    |             |                               |

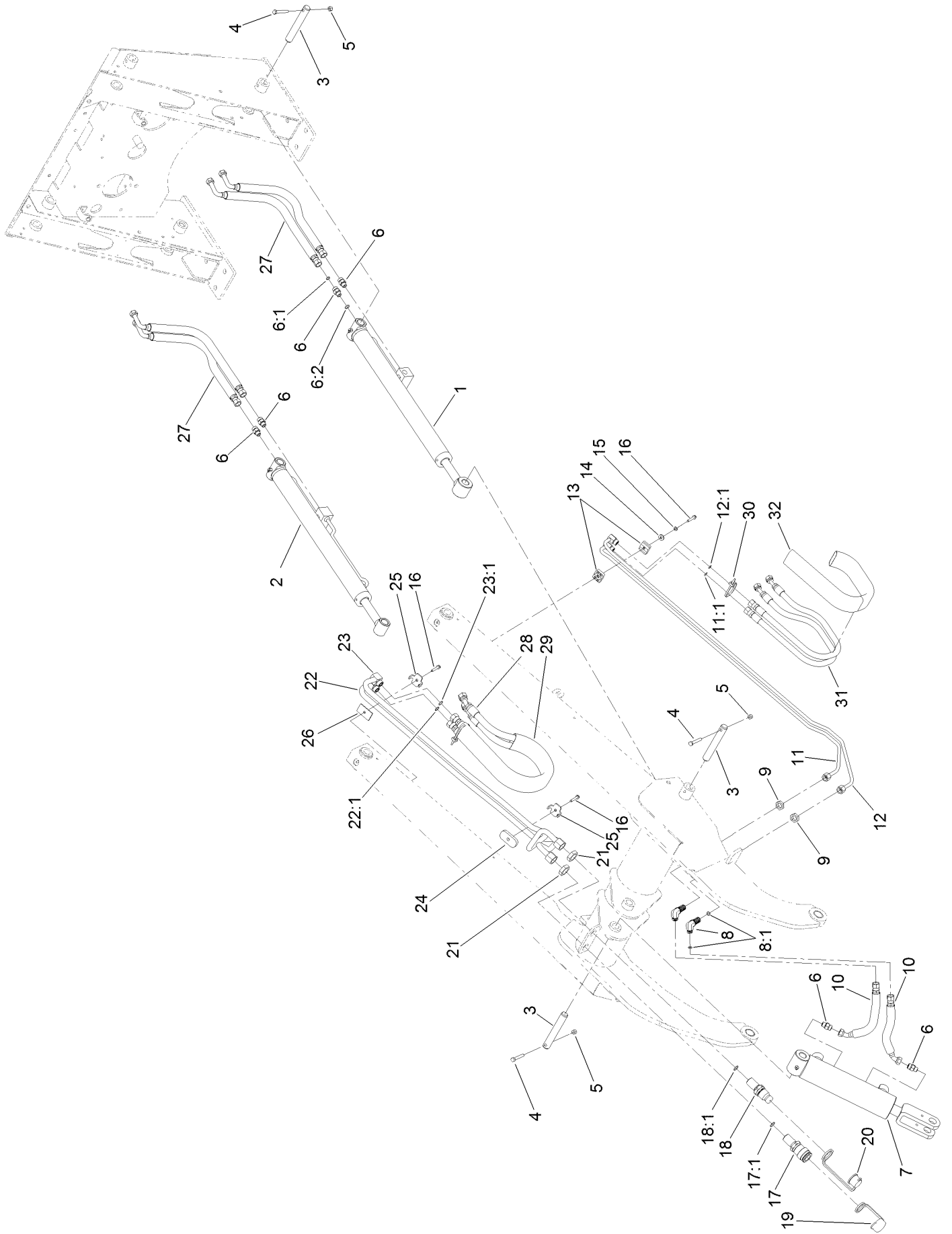
# Loader Arm Assembly



## Loader Arm Assembly (continued)

| <i>Ref.</i> | <i>Part Number</i> | <i>Qty.</i> | <i>Description</i>   | <i>Ref.</i> | <i>Part Number</i> | <i>Qty.</i> | <i>Description</i> |
|-------------|--------------------|-------------|----------------------|-------------|--------------------|-------------|--------------------|
| 1           | 108-4638           | 1           | Loader Arm ASM       | 5:7         | 3285-1             | 2           | Pin-Grooved        |
| 1:2         | 302-5              | 2           | Fitting-Grease       | 5:8         | 302-5              | 2           | Fitting-Grease     |
| 1:3         | 95-3577            | 4           | Bushing              | 5:9         | 98-4871            | 1           | Bushing-Tension    |
| 1:4         | 98-4871            | 2           | Bushing-Tension      | 6           | 130-5222           | 3           | Pin-Pivot          |
| 1:5         | 100-8821           | 4           | Decal-Warning, Pinch | 7           | 302-5              | 3           | Fitting-Grease     |
| 1:7         | 115-4855           | 1           | Decal-Caution        | 8           | 99-5105            | 3           | Screw-Shoulder     |
| 1:8         | 100-8822           | 1           | Decal-No Rider       | 9           | 108-4639           | 1           | Locking Arm ASM    |
| 2           | 104-2849           | 2           | Pin-Locking          | 9:2         | 115-4858           | 2           | Decal-Danger       |
| 3           | 322-10             | 2           | Screw-HH             | 11          | 98-0083            | 1           | Stop-Rubber        |
| 4           | 3296-29            | 2           | Nut-Lock, NI         | 12          | 95-1687            | 4           | Rivet              |
| 5           | 132-8418           | 1           | Quick Attach ASM     | 13          | 68-1440            | 2           | Washer-Rubber      |
| 5:1         | 130-7708-03        | 1           | Mount-Qtach          | 14          | 325-14             | 1           | Screw-HH           |
| 5:2         | 105-0246           | 2           | Cam                  | 15          | 3296-23            | 1           | Nut-Lock, NI       |
| 5:3         | 98-4694            | 2           | Spring-Compression   | 16          | 100-1663           | 1           | Pin-Hitch          |
| 5:4         | 104-5909           | 1           | Stop-RH              | 17          | 105-1217           | 2           | Decal              |
| 5:5         | 104-5903           | 1           | Stop-LH              | 18          | 115-4868           | 2           | Decal              |
| 5:6         | 132-8419           | 2           | Pin-Locking          |             |                    |             |                    |

# Loader Arm Hydraulic Assembly

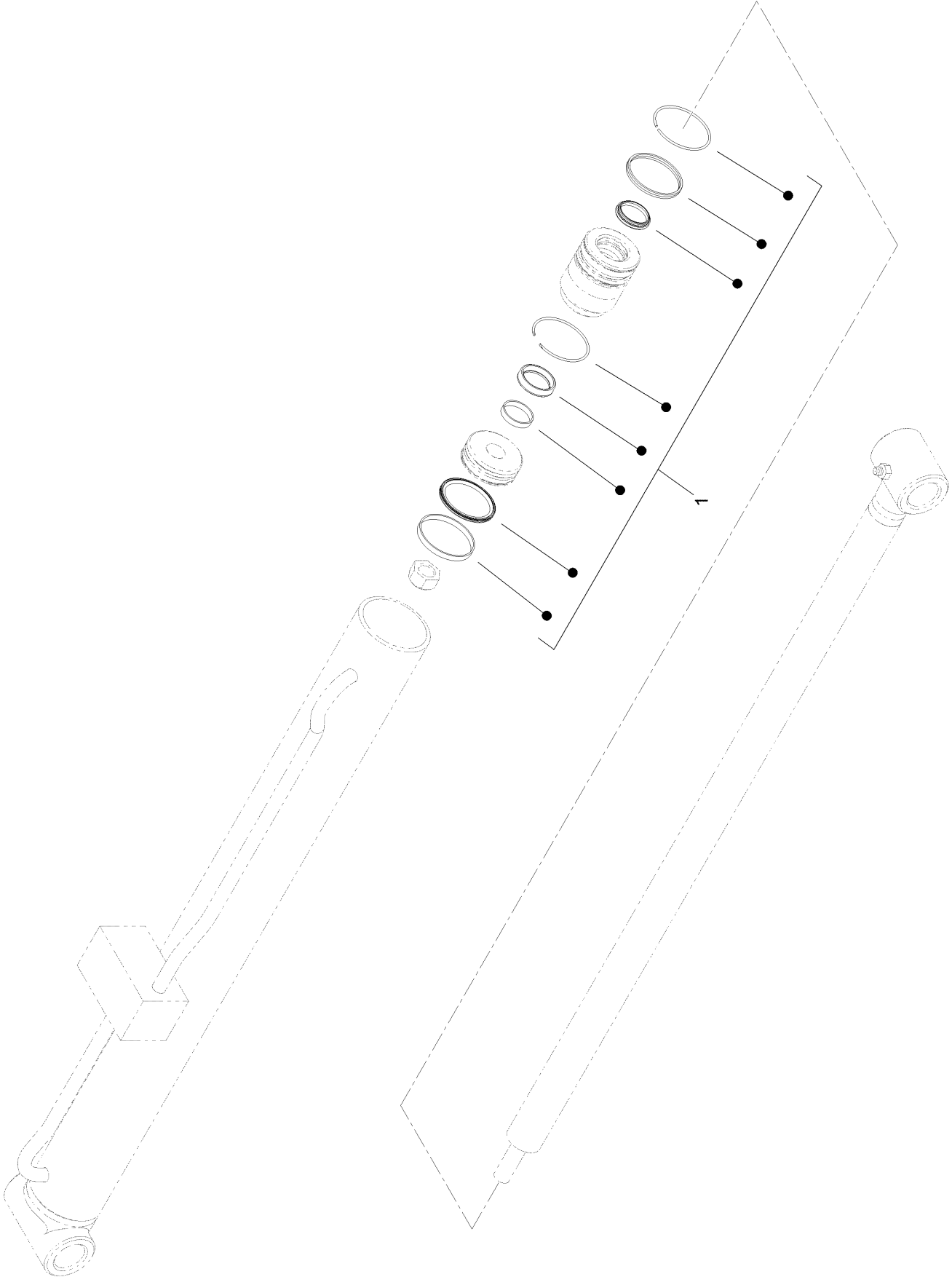


## Loader Arm Hydraulic Assembly (continued)

| <i>Ref.</i> | <i>Part Number</i> | <i>Qty.</i> | <i>Description</i> | <i>Ref.</i> | <i>Part Number</i> | <i>Qty.</i> | <i>Description</i>   |
|-------------|--------------------|-------------|--------------------|-------------|--------------------|-------------|----------------------|
| 1           | 139-0776           | 1           | LH HYD CYL ASM     | 17          | 105-8394           | 1           | Bulkhead Coupler ASM |
| 2           | 139-0777           | 1           | RH HYD CYL ASM     | 17:1        | 237-65             | 1           | O-Ring               |
| 3           | 104-2849           | 5           | Pin-Locking        | 18          | 105-8395           | 1           | Bulkhead Nipple ASM  |
| 4           | 322-10             | 5           | Screw-HH           | 18:1        | 237-65             | 1           | O-Ring               |
| 5           | 3296-29            | 5           | Nut-Lock, NI       | 18:2        | 100-6120           | 1           | Seal Kit ●           |
| 6           | 340-2              | 6           | Fitting-Straight   | 19          | 100-8816           | 1           | Cap-Dust, Coupler    |
| 6:1         | 237-22             | 1           | O-Ring             | 20          | 100-8815           | 1           | Cap-Dust, Nipple     |
| 6:2         | 237-42             | 1           | O-Ring             | 21          | 340-74             | 2           | Nut-Lock, Bulkhead   |
| 7           | 139-0778           | 1           | HYD CYL ASM        | 22          | 108-6319           | 1           | HYD Tube ASM         |
| 8           | 340-154            | 2           | Union-Bulkhead     | 22:1        | 237-30             | 1           | O-Ring               |
| 8:1         | 237-22             | 2           | O-Ring             | 23          | 112-2563           | 1           | HYD Tube ASM         |
| 9           | 340-70             | 2           | Nut-Lock           | 23:1        | 237-30             | 1           | O-Ring               |
| 10          | 98-0207            | 2           | Hose-HYD           | 24          | 112-2565           | 1           | Plate-Hardline       |
| 11          | 106-9364           | 1           | HYD Tube ASM       | 25          | 98-0237            | 2           | Plate-Clamp, Tube    |
| 11:1        | 237-22             | 1           | O-Ring             | 26          | 106-9366           | 1           | Spacer-Hardline      |
| 12          | 106-9365           | 1           | HYD Tube ASM       | 27          | 98-0216            | 4           | Hose-HYD             |
| 12:1        | 237-22             | 1           | O-Ring             | 28          | 98-0242            | 2           | Hose-HYD             |
| 13          | 56-7973            | 2           | Clamp-Tube         | 29          | 100-6128           | 1           | Sleeve-Protective    |
| 14          | 3256-2             | 1           | Washer-Flat        | 30          | 3290-378           | 2           | Tie-Cable            |
| 15          | 3253-3             | 1           | Washer-Lock        | 31          | 98-0213            | 2           | Hose-HYD             |
| 16          | 94-2691            | 3           | Screw-HWH Taptite  | 32          | 100-6127           | 1           | Sleeve-Protective    |

● Not illustrated

# Hydraulic Cylinder Assembly No. 139-0777





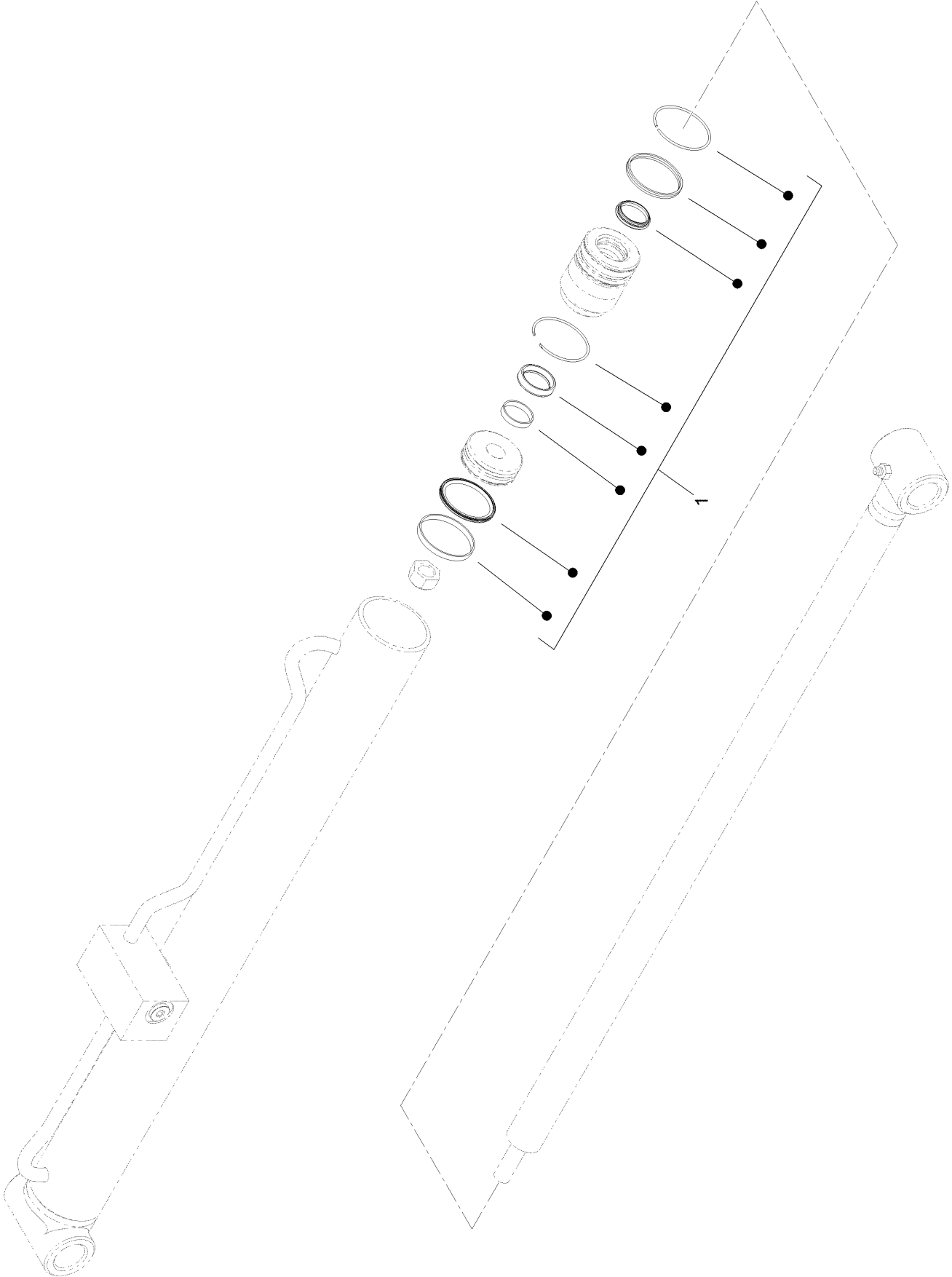
# Hydraulic Cylinder Assembly No. 139-0777 (continued)

---

| <i>Ref.</i> | <i>Part Number</i> | <i>Qty.</i> | <i>Description</i> |
|-------------|--------------------|-------------|--------------------|
| 1           | 139-0807           | 1           | Seal Kit           |

---

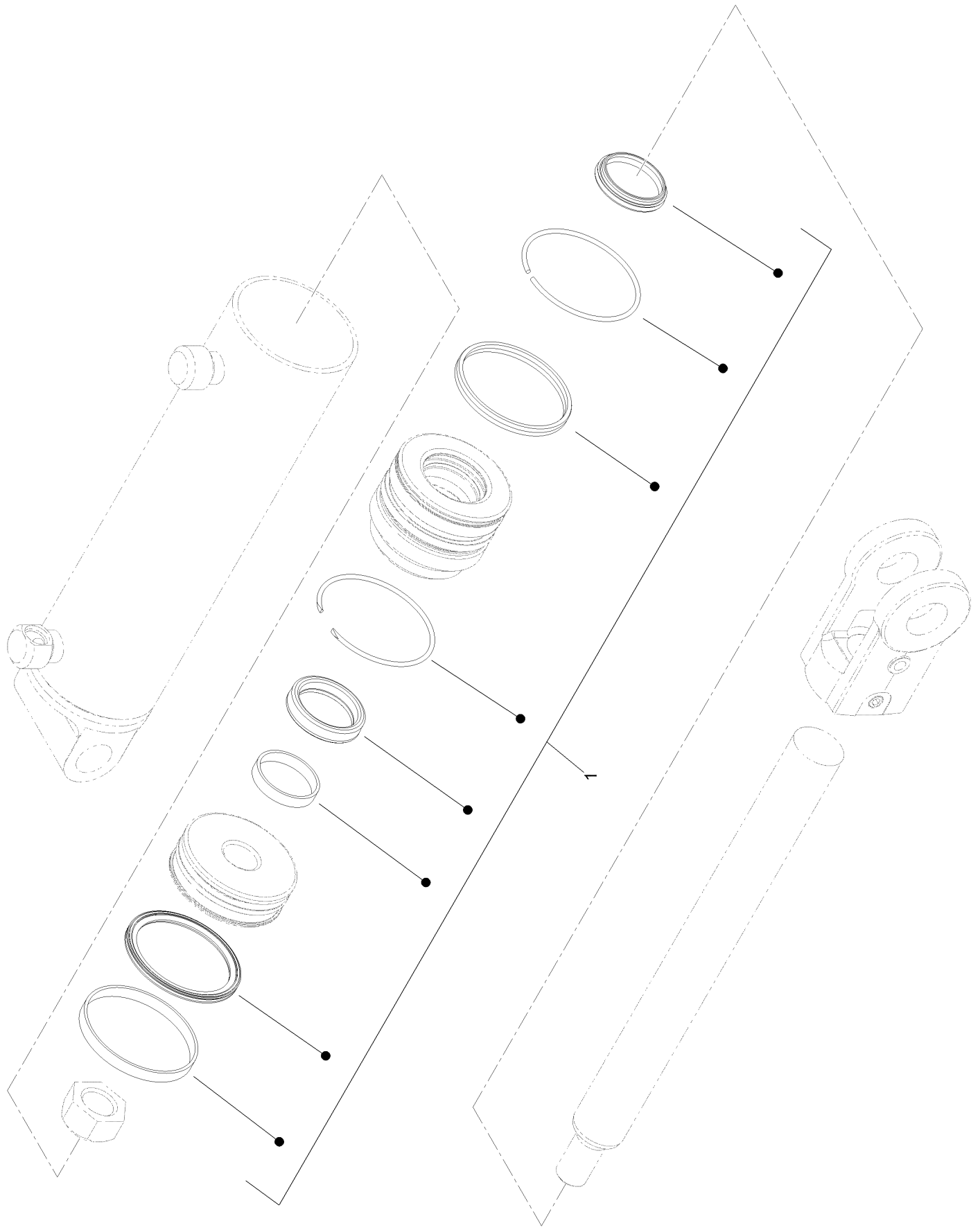
# Hydraulic Cylinder Assembly No. 139-0776



# Hydraulic Cylinder Assembly No. 139-0776 (continued)

| <i>Ref.</i> | <i>Part Number</i> | <i>Qty.</i> | <i>Description</i> |
|-------------|--------------------|-------------|--------------------|
| 1           | 139-0807           | 1           | Seal Kit           |

# Hydraulic Cylinder Assembly No. 139-0778



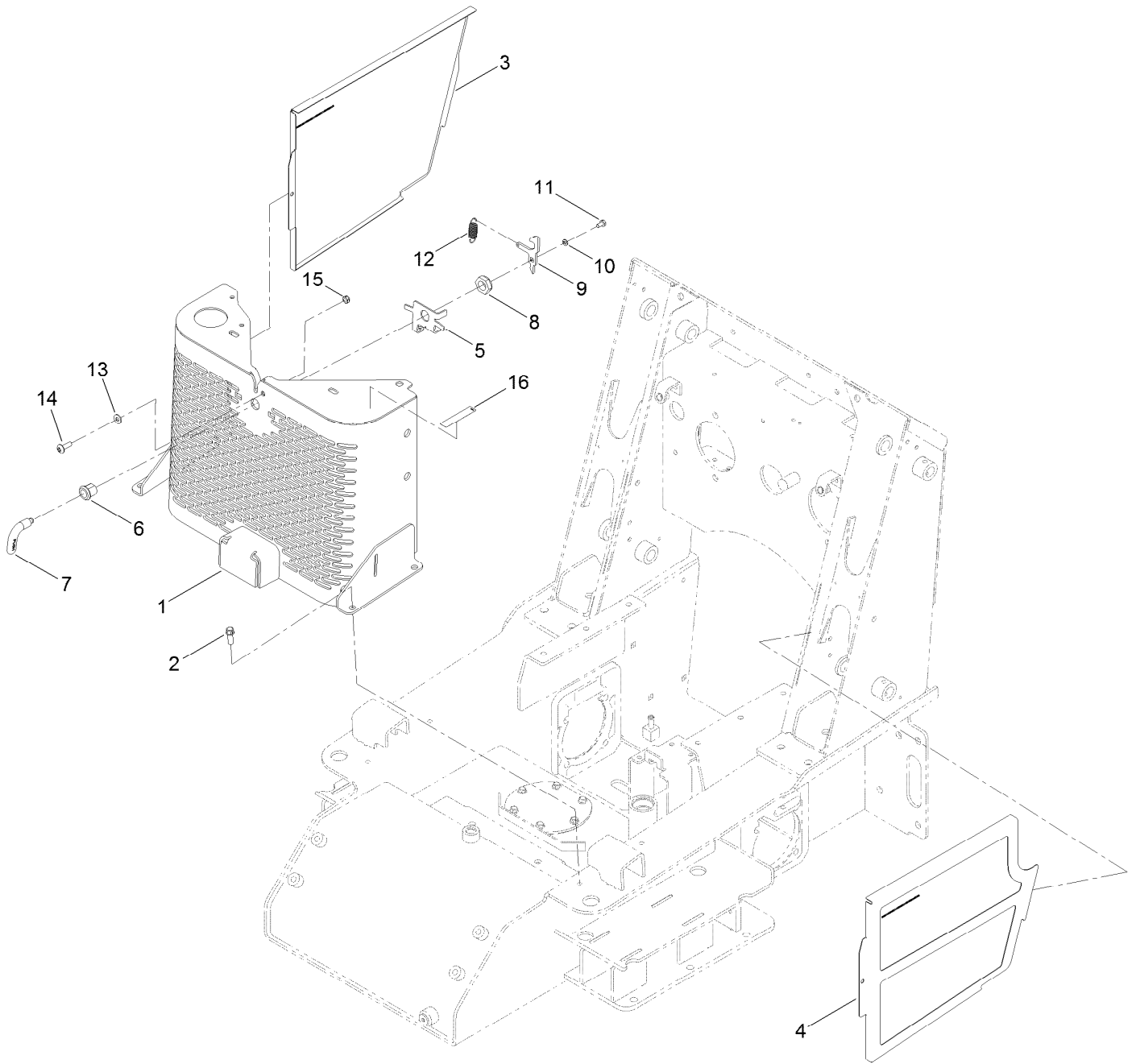
# Hydraulic Cylinder Assembly No. 139-0778 (continued)

---

| <i>Ref.</i> | <i>Part Number</i> | <i>Qty.</i> | <i>Description</i> |
|-------------|--------------------|-------------|--------------------|
| 1           | 139-0808           | 1           | Seal Kit           |

---

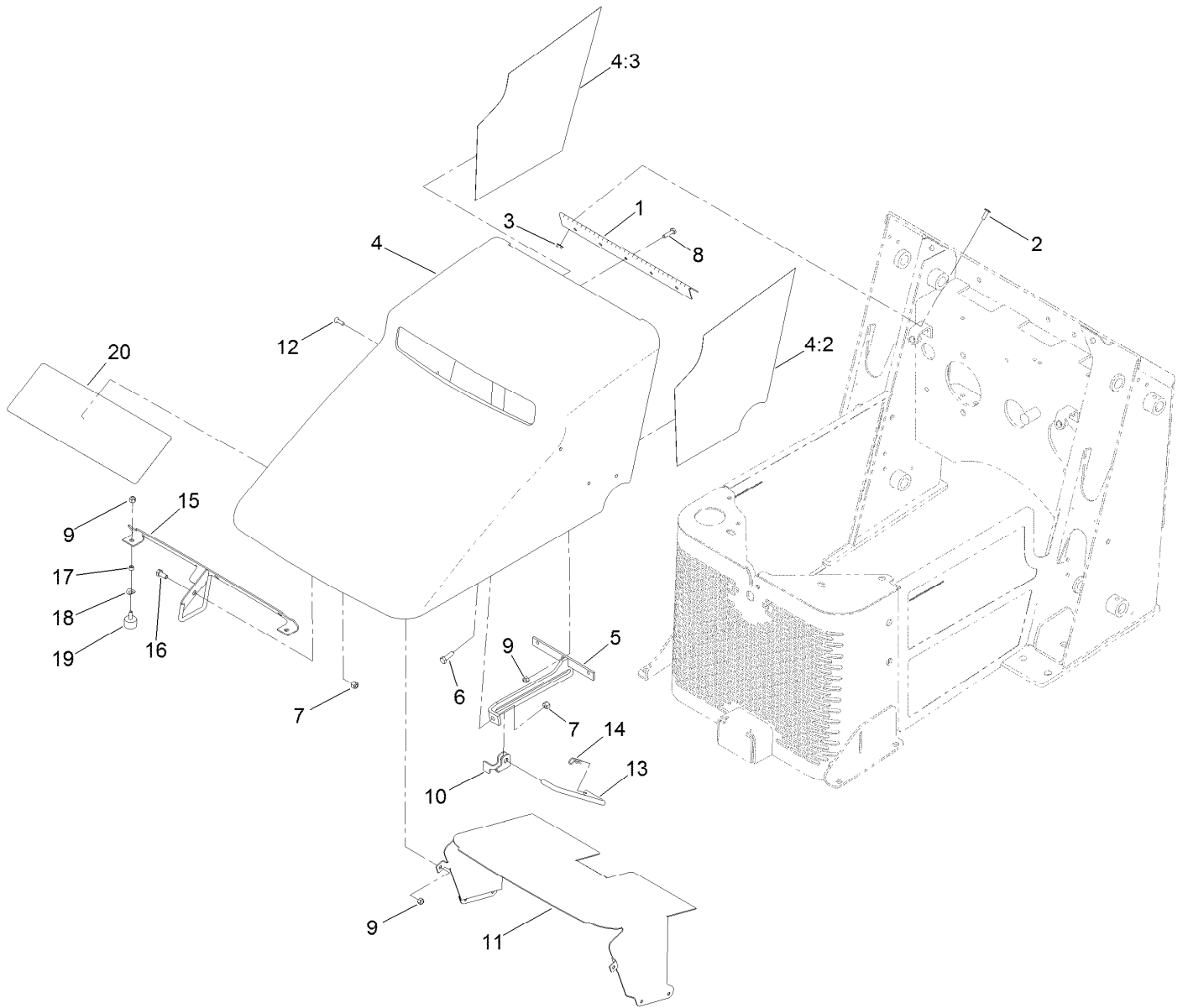
# Grill Assembly



## Grill Assembly (continued)

| <i>Ref.</i> | <i>Part Number</i> | <i>Qty.</i> | <i>Description</i> | <i>Ref.</i> | <i>Part Number</i> | <i>Qty.</i> | <i>Description</i> |
|-------------|--------------------|-------------|--------------------|-------------|--------------------|-------------|--------------------|
| 1           | 117-1318-03        | 1           | Grill              | 9           | 106-5728           | 1           | Cam-Latch          |
| 2           | 95-1726            | 4           | Screw-Taptite      | 10          | 3253-3             | 1           | Washer-Lock        |
| 3           | 117-9963-03        | 1           | RH Side Panel      | 11          | 321-2              | 1           | Screw-HH           |
| 4           | 117-9964-03        | 1           | LH Side Panel      | 12          | 104-0869           | 1           | Spring             |
| 5           | 106-5729           | 1           | Bracket-Latch      | 13          | 3256-2             | 1           | Washer-Flat        |
| 6           | 106-9335           | 1           | Housing-Latch      | 14          | 107-8021           | 1           | Screw-PTH          |
| 7           | 108-5639           | 1           | Handle-Latch       | 15          | 3296-47            | 1           | Nut-Lock,NI        |
| 8           | 3296-60            | 1           | Nut-Lock, NI       | 16          | 93-6681            | 1           | Decal-Warning, Fan |

# Hood Assembly

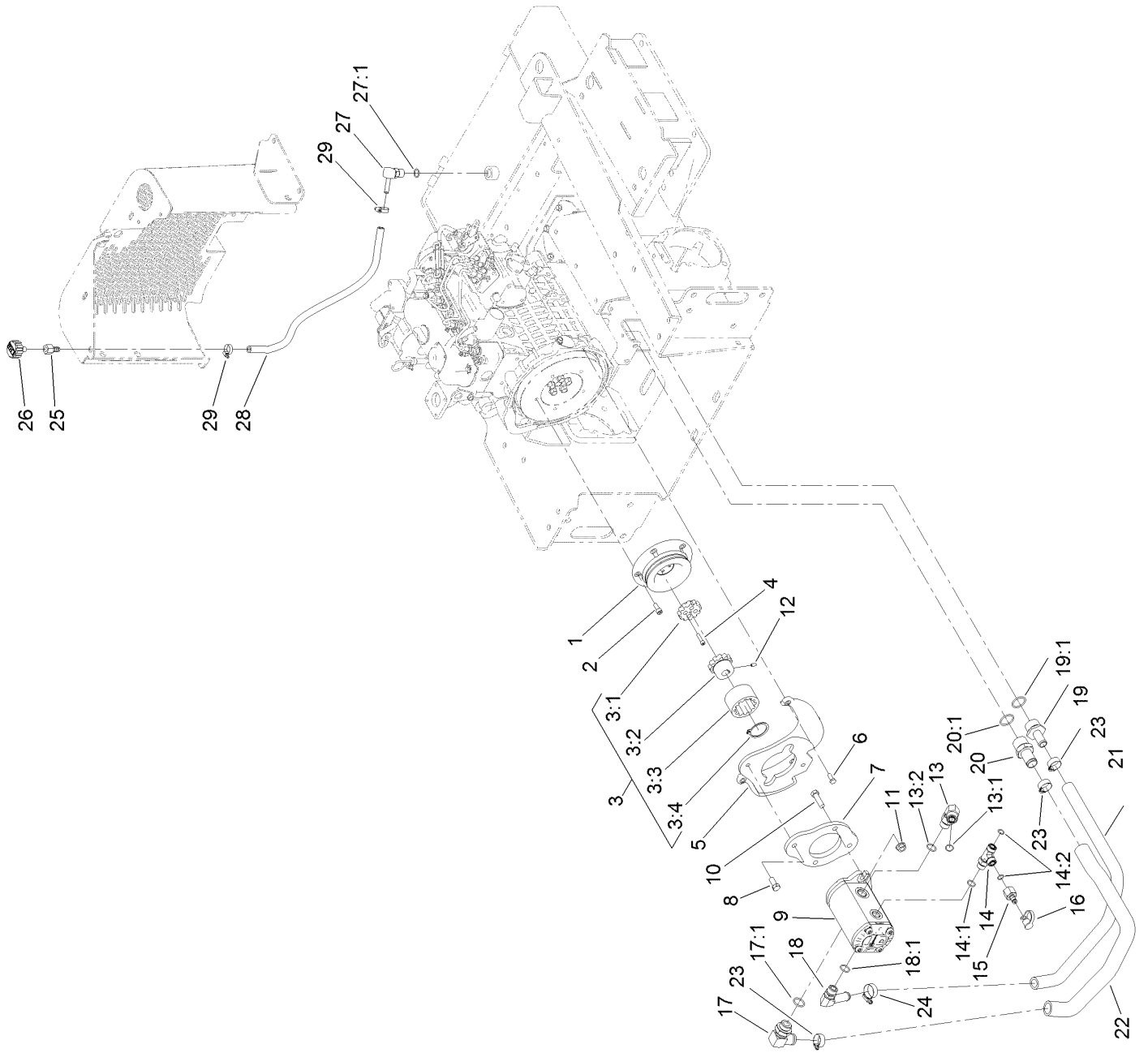




## Hood Assembly (continued)

| <i>Ref.</i> | <i>Part Number</i> | <i>Qty.</i> | <i>Description</i>     | <i>Ref.</i> | <i>Part Number</i> | <i>Qty.</i> | <i>Description</i>      |
|-------------|--------------------|-------------|------------------------|-------------|--------------------|-------------|-------------------------|
| 1           | 100-1284           | 1           | Hinge-Hood             | 14          | 3290-250           | 1           | Pin-Cotter              |
| 2           | 9114604            | 4           | Screw-Head, Truss      | 15          | 108-6287-03        | 1           | Rod Latch ASM           |
| 3           | 32128-33           | 4           | Nut-HF                 | 16          | 322-3              | 4           | Screw-HH                |
| 4           | 112-2460           | 1           | Hood ASM               | 17          | 106-9308           | 2           | Spacer                  |
| 4:2         | 112-2464           | 1           | Foiltape-LH            | 18          | 121-4605           | 2           | Washer-Spring           |
| 4:3         | 112-2465           | 1           | Foiltape-RH            | 19          | 1-523420           | 2           | Bumper                  |
| 5           | 112-2448-03        | 1           | Bracket-Rod, Prop      | 20          | 139-8813           | 1           | Decal-Service, Tx525    |
| 6           | 322-5              | 1           | Screw-HH               | 20          | 139-8819           | 1           | Decal-Service, Tx525 De |
| 7           | 3296-29            | 5           | Nut-Lock, NI           | 20          | 139-8828           | 1           | Decal-Service, Tx525 Fr |
| 8           | 321-6              | 5           | Screw-HH               | 20          | 139-8833           | 1           | Decal-Service, Tx525 It |
| 9           | 3296-42            | 13          | Nut-Lock, NI           | 20          | 139-8838           | 1           | Decal-Service, Tx525 Ne |
| 10          | 115-0714           | 1           | Bracket-Latch, Locking | 20          | 139-8843           | 1           | Decal-Service, Tx525 Pl |
| 11          | 108-6286           | 1           | Baffle-Hood            | 20          | 139-8848           | 1           | Decal-Service, Tx525 Ru |
| 12          | 3258-166           | 6           | Screw-PRH              | 20          | 139-8853           | 1           | Decal-Service, Tx525 Sk |
| 13          | 108-6357           | 1           | Rod-Support, Hood      | 20          | 139-8857           | 1           | Decal-Service, Tx525 ES |

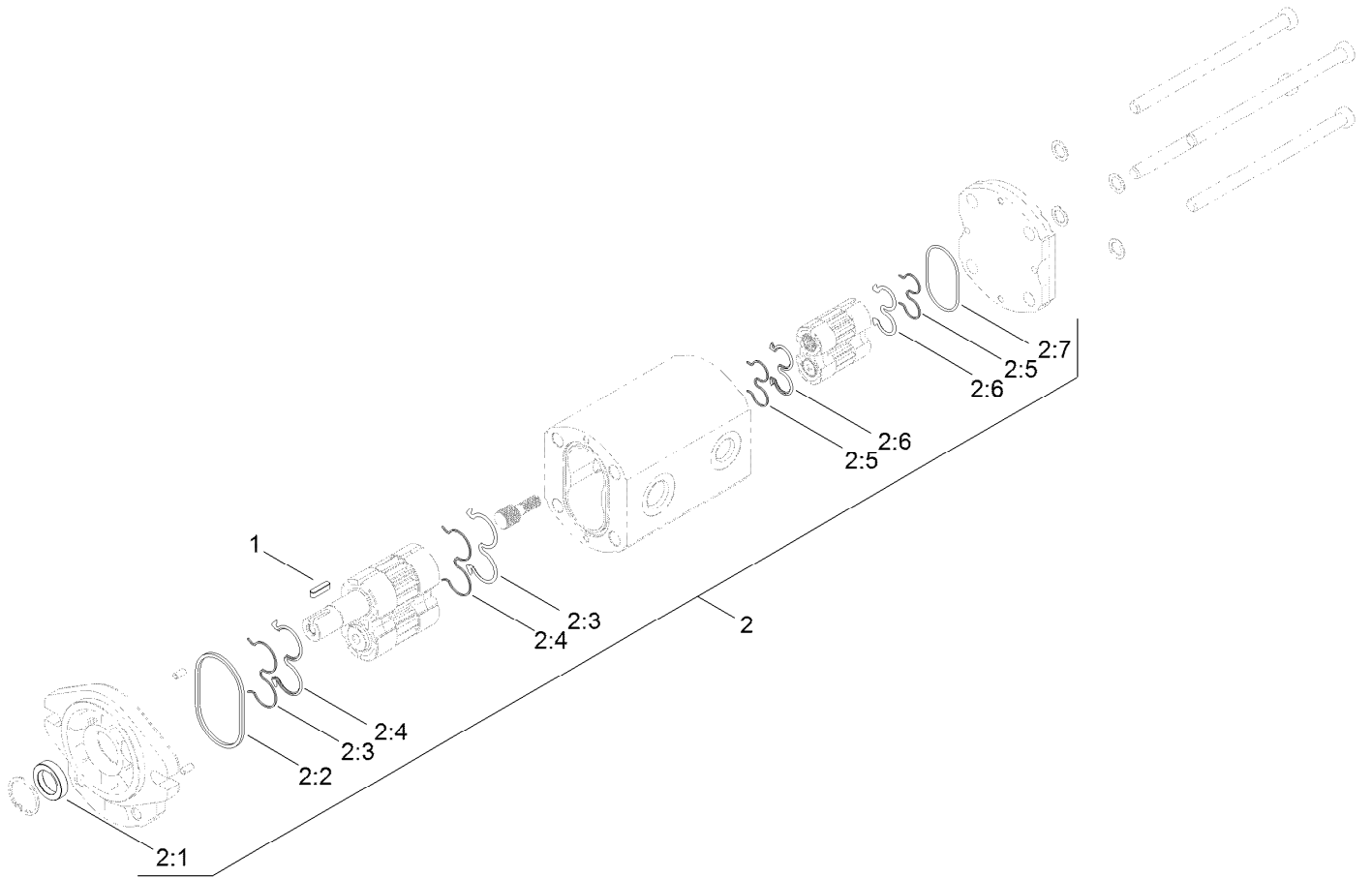
# Hydraulic Pump and Filter Assembly



## Hydraulic Pump and Filter Assembly (continued)

| <i>Ref.</i> | <i>Part Number</i> | <i>Qty.</i> | <i>Description</i>    | <i>Ref.</i> | <i>Part Number</i> | <i>Qty.</i> | <i>Description</i>     |
|-------------|--------------------|-------------|-----------------------|-------------|--------------------|-------------|------------------------|
| 1           | 112-2568-03        | 1           | Pulley                | 14:2        | 237-30             | 2           | O-Ring                 |
| 2           | 108-6343           | 5           | Screw-HSH,Lock        | 15          | 100-5616           | 1           | Fitting                |
| 3           | 108-6314           | 1           | Coupling ASM          | 16          | 354-79             | 1           | Cap-Dust               |
| 3:1         | 106-9562           | 1           | Hub-Coupling          | 17          | 100-4202           | 1           | Fitting-90             |
| 3:2         | 106-9587           | 1           | Sleeve-Hub            | 17:1        | 237-81             | 1           | O-Ring                 |
| 3:3         | 106-9561           | 1           | Sleeve-Coupling       | 18          | 87-8170            | 1           | Fitting-90             |
| 3:4         | 108-6383           | 1           | Ring-Snap, Coupling   | 18:1        | 237-80             | 1           | O-Ring                 |
| 4           | 3274-26            | 4           | Screw-HSH             | 19          | 99-6932            | 1           | Fitting-STR            |
| 5           | 108-6235-03        | 1           | Pump-Mount            | 19:1        | 237-117            | 1           | O-Ring                 |
| 6           | 33114-020          | 4           | Screw-HH              | 20          | 354-78             | 1           | Fitting-STR            |
| 7           | 108-6211-03        | 1           | Plate-Mount, Pump     | 20:1        | 237-146            | 1           | O-Ring                 |
| 8           | 324-4              | 2           | Screw-HH              | 21          | 108-6315           | 1           | Hose-Formed, Suction   |
| 9           | 106-9589           | 1           | Pump-HYD              | 22          | 108-6316           | 1           | Hose-Formed, Suction   |
| 10          | 324-6              | 2           | Screw-HH              | 23          | 2412-34            | 3           | Clamp-Hose             |
| 11          | 32128-42           | 2           | Nut-HF                | 24          | 2412-129           | 1           | Clamp-Hose             |
| 12          | 3245-9             | 1           | Screw-Set, HSH        | 25          | 354-94             | 1           | Fitting-Female, Barbed |
| 13          | 340-17             | 1           | Fitting-Elbow, 90 DEG | 26          | 68-6150            | 1           | Breather               |
| 13:1        | 237-65             | 1           | O-Ring                | 27          | 354-134            | 1           | Fitting-90             |
| 13:2        | 237-80             | 1           | O-Ring                | 27:1        | 237-79             | 1           | O-Ring                 |
| 14          | 340-109            | 1           | Fitting-Tee           | 28          | 114-8599           | 1           | Hose-Drain, Engine Oil |
| 14:1        | 237-79             | 1           | O-Ring                | 29          | 2412-36            | 2           | Clamp-Hose             |

# Hydraulic Pump Assembly No. 106-9589

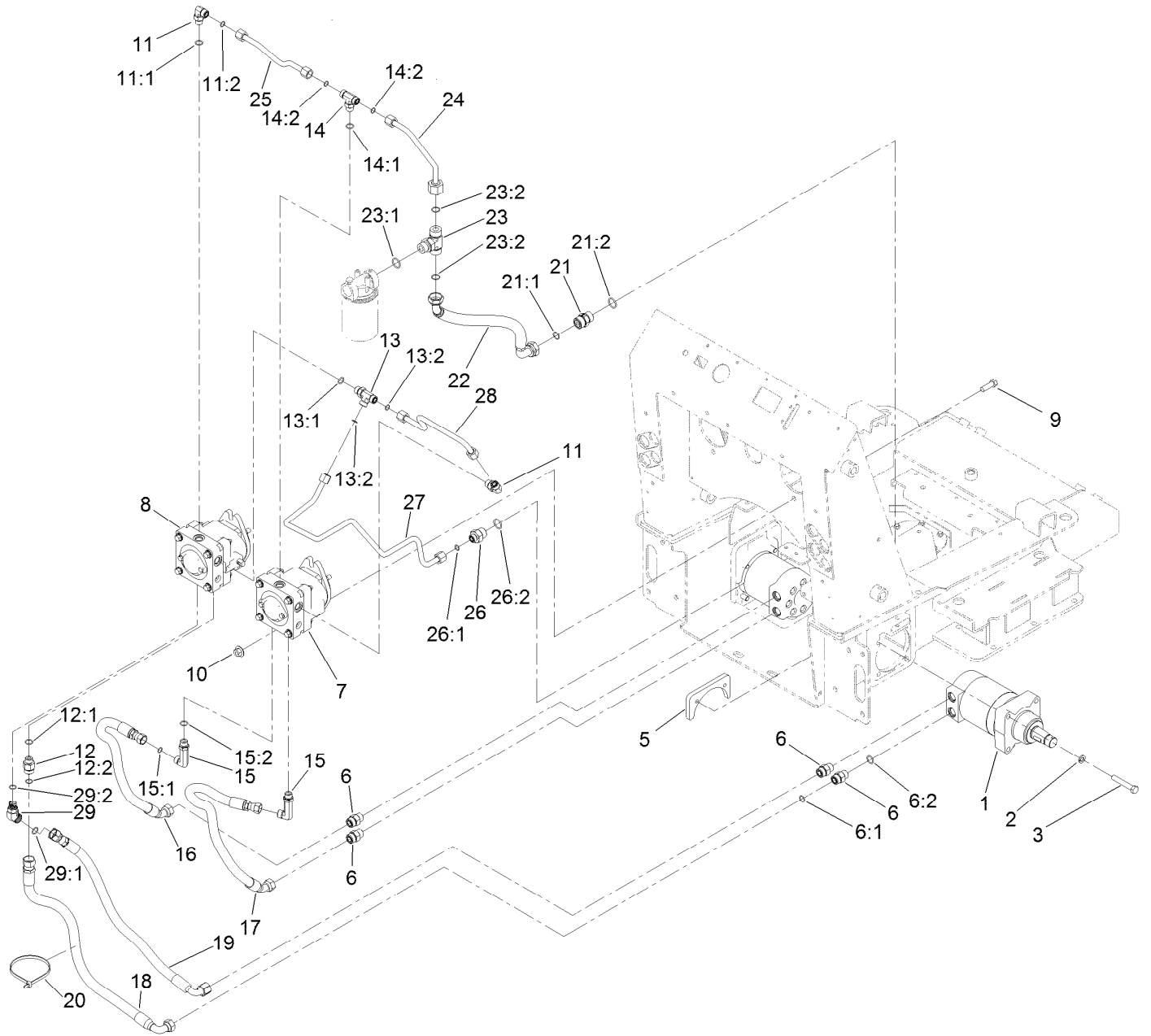


# Hydraulic Pump Assembly No. 106-9589 (continued)

| <i>Ref.</i> | <i>Part Number</i> | <i>Qty.</i> | <i>Description</i> | <i>Ref.</i> | <i>Part Number</i> | <i>Qty.</i> | <i>Description</i> |
|-------------|--------------------|-------------|--------------------|-------------|--------------------|-------------|--------------------|
| 1           | 100-4238           | 1           | Key-Square         | 2:4         |                    | 2           | Seal-Gear ●        |
| 2           | 107-9316           | 1           | Seal Kit           | 2:5         |                    | 2           | Ring-Backup ●      |
| 2:1         |                    | 1           | Seal-Shaft ●       | 2:6         |                    | 2           | Seal-Gear-Rear ●   |
| 2:2         |                    | 1           | Seal-Square ●      | 2:7         |                    | 1           | O-Ring ●           |
| 2:3         |                    | 2           | Ring-Backup ●      |             |                    |             |                    |

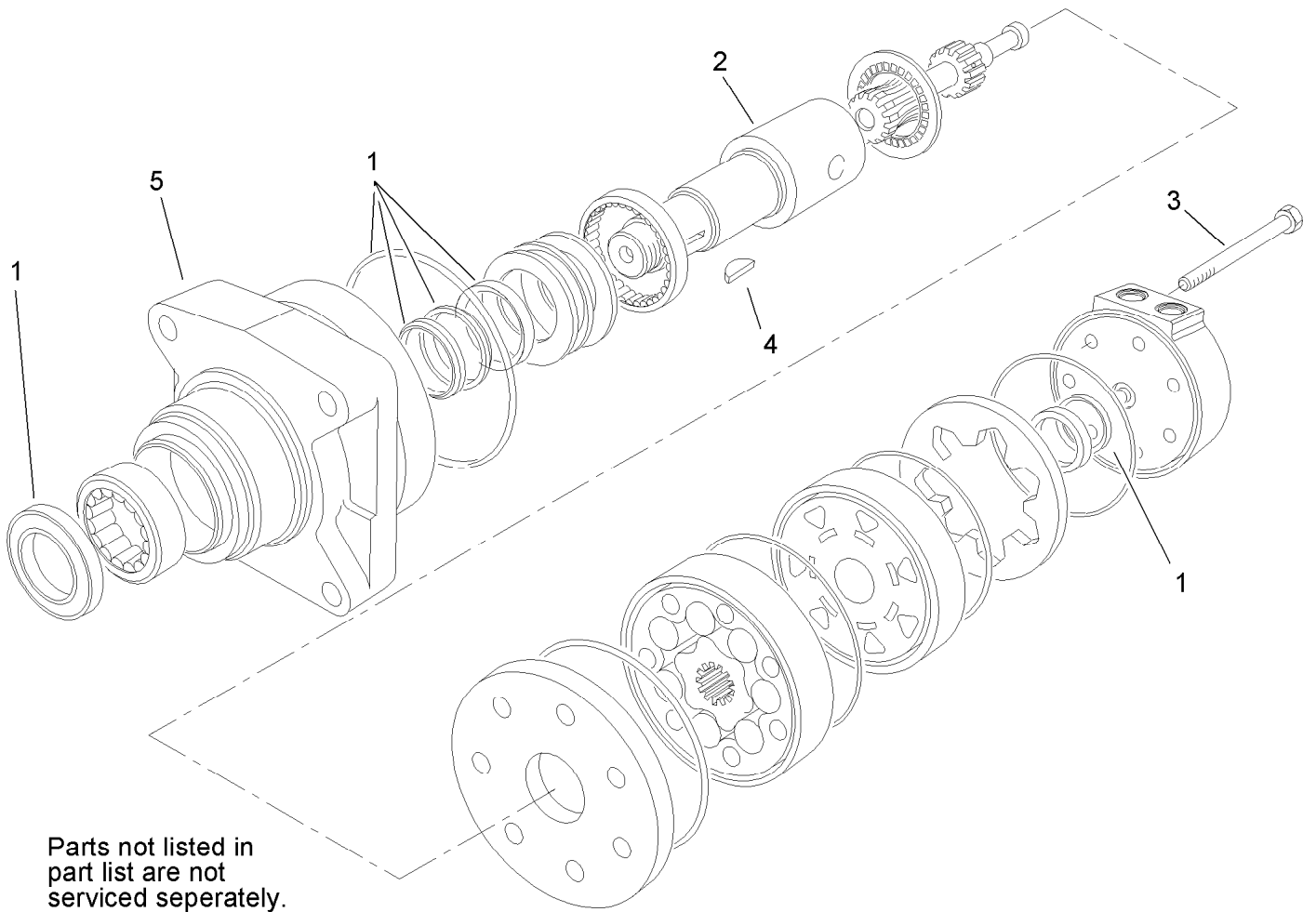
● Not serviced separately

# Traction Hydraulic Assembly



## Traction Hydraulic Assembly (continued)

| <i>Ref.</i> | <i>Part Number</i> | <i>Qty.</i> | <i>Description</i>     | <i>Ref.</i> | <i>Part Number</i> | <i>Qty.</i> | <i>Description</i>  |
|-------------|--------------------|-------------|------------------------|-------------|--------------------|-------------|---------------------|
| 1           | 106-7654           | 2           | HYD Motor ASM          | 15:1        | 237-30             | 1           | O-Ring              |
| 2           | 3253-7             | 8           | Washer-Lock            | 15:2        | 237-79             | 1           | O-Ring              |
| 3           | 115-4845           | 8           | Screw-HH, TAP          | 16          | 107-3632           | 1           | Hose-HYD            |
| 5           | 98-2763-03         | 2           | Plate-Mounting         | 17          | 107-3631           | 1           | Hose-HYD            |
| 6           | 340-7              | 4           | Fitting-Straight       | 18          | 115-4827           | 1           | Hose-HYD            |
| 6:1         | 237-65             | 1           | O-Ring                 | 19          | 115-4826           | 1           | Hose-HYD            |
| 6:2         | 237-80             | 1           | O-Ring                 | 20          | 3334-945           | 1           | Tie-Cable           |
| 7           | 106-9590           | 1           | Pump-HYD, RH           | 21          | 108-6306           | 1           | Valve-Check, HYD    |
| 8           | 106-9591           | 1           | Pump-HYD, LH           | 21:1        | 237-58             | 1           | O-Ring              |
| 9           | 325-6              | 4           | Screw-HH               | 21:2        | 237-81             | 1           | O-Ring              |
| 10          | 32128-52           | 4           | Nut-Lock, Flange       | 22          | 112-2562           | 1           | Hose-HYD            |
| 11          | 340-98             | 2           | Fitting-Elbow, 90 DEG  | 23          | 100-4836           | 1           | Fitting-Tee         |
| 11:1        | 237-79             | 1           | O-Ring                 | 23:1        | 237-81             | 1           | O-Ring              |
| 11:2        | 237-30             | 1           | O-Ring                 | 23:2        | 237-58             | 2           | O-Ring              |
| 12          | 340-155            | 1           | Fitting-Straight       | 24          | 107-3634           | 1           | Tube-HYD            |
| 12:1        | 237-79             | 1           | O-Ring                 | 25          | 106-9330           | 1           | Tube-HYD            |
| 12:2        | 237-151            | 1           | O-Ring                 | 26          | 100-4240           | 1           | Fitting-STR         |
| 13          | 340-109            | 1           | Fitting-Tee            | 26:1        | 237-30             | 1           | O-Ring              |
| 13:1        | 237-79             | 1           | O-Ring                 | 26:2        | 237-81             | 1           | O-Ring              |
| 13:2        | 237-30             | 2           | O-Ring                 | 27          | 107-3633           | 1           | Tube-HYD            |
| 14          | 340-157            | 1           | Fitting-HYD, Tee       | 28          | 98-0200            | 1           | Tube-HYD            |
| 14:1        | 237-79             | 1           | O-Ring                 | 29          | 340-55             | 1           | Fitting-HYD, 45 DEG |
| 14:2        | 237-30             | 2           | O-Ring                 | 29:1        | 237-79             | 1           | O-Ring              |
| 15          | 99-6160            | 2           | Fitting-Elbow, 90 Long | 29:2        | 237-65             | 1           | O-Ring              |

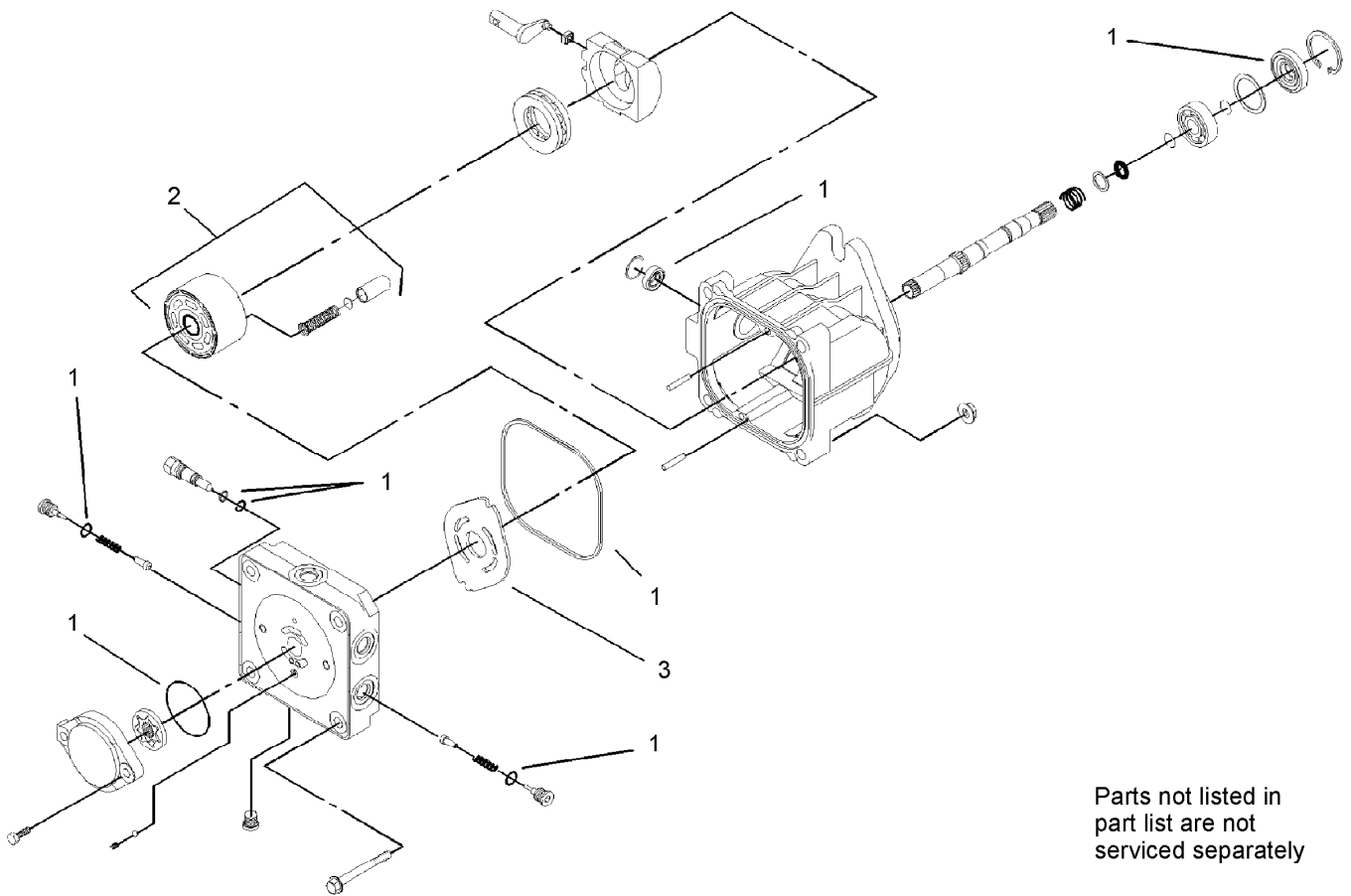


Parts not listed in  
part list are not  
serviced seperately.

## Hydraulic Motor Assembly No. 106-7654

| <i>Ref.</i> | <i>Part Number</i> | <i>Qty.</i> | <i>Description</i> |
|-------------|--------------------|-------------|--------------------|
| 1           | 100-6131           | 1           | Seal Kit           |
| 2           | 106-7645           | 1           | Coupling-Shaft     |
| 3           | 100-4241           | 7           | Screw-HH           |
| 4           | 3257-42            | 1           | Key-Woodruff       |
| 5           | 108-5634           | 1           | Motor Housing ASM  |

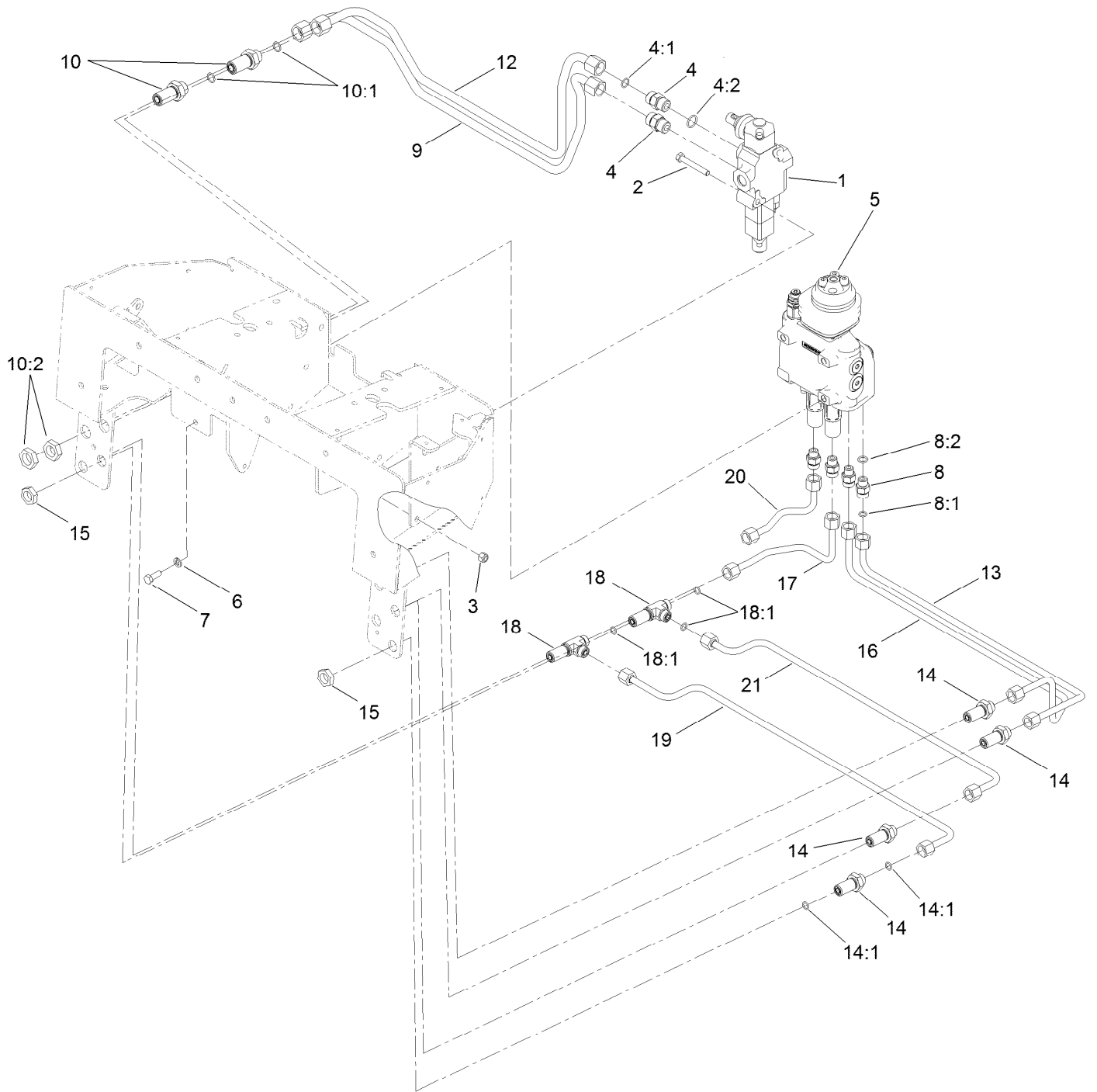




## Hydraulic Pump Assembly No. 106-9590 and 106-9591

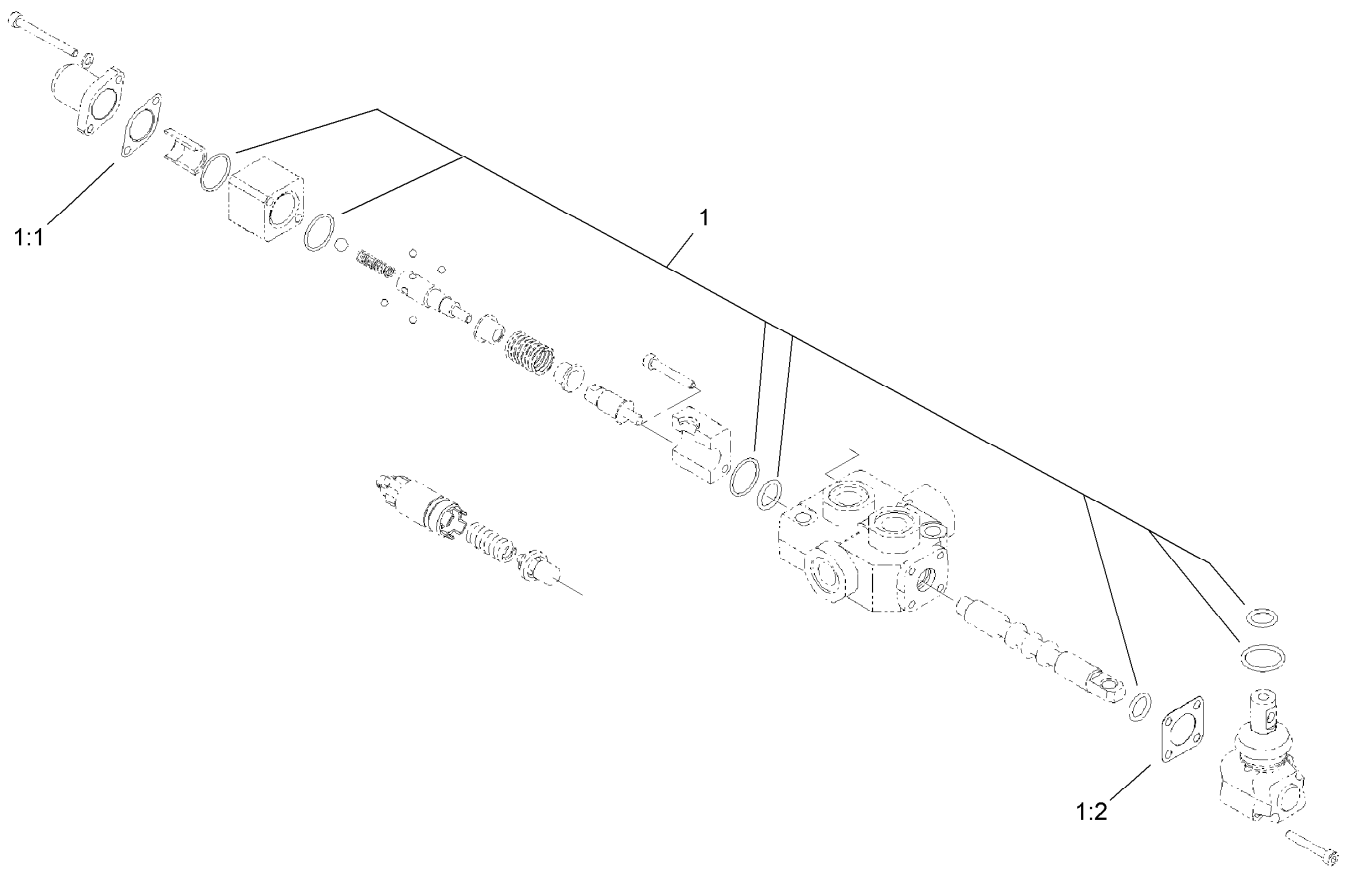
| <i>Ref.</i> | <i>Part Number</i> | <i>Qty.</i> | <i>Description</i> |
|-------------|--------------------|-------------|--------------------|
| 1           | 100-6110           | 1           | Overhaul Seal Kit  |
| 2           | 94-1913            | 1           | Cylinder Block ASM |
| 3           | 100-6112           | 1           | Plate-Valve        |

# Principal Hydraulic Assembly



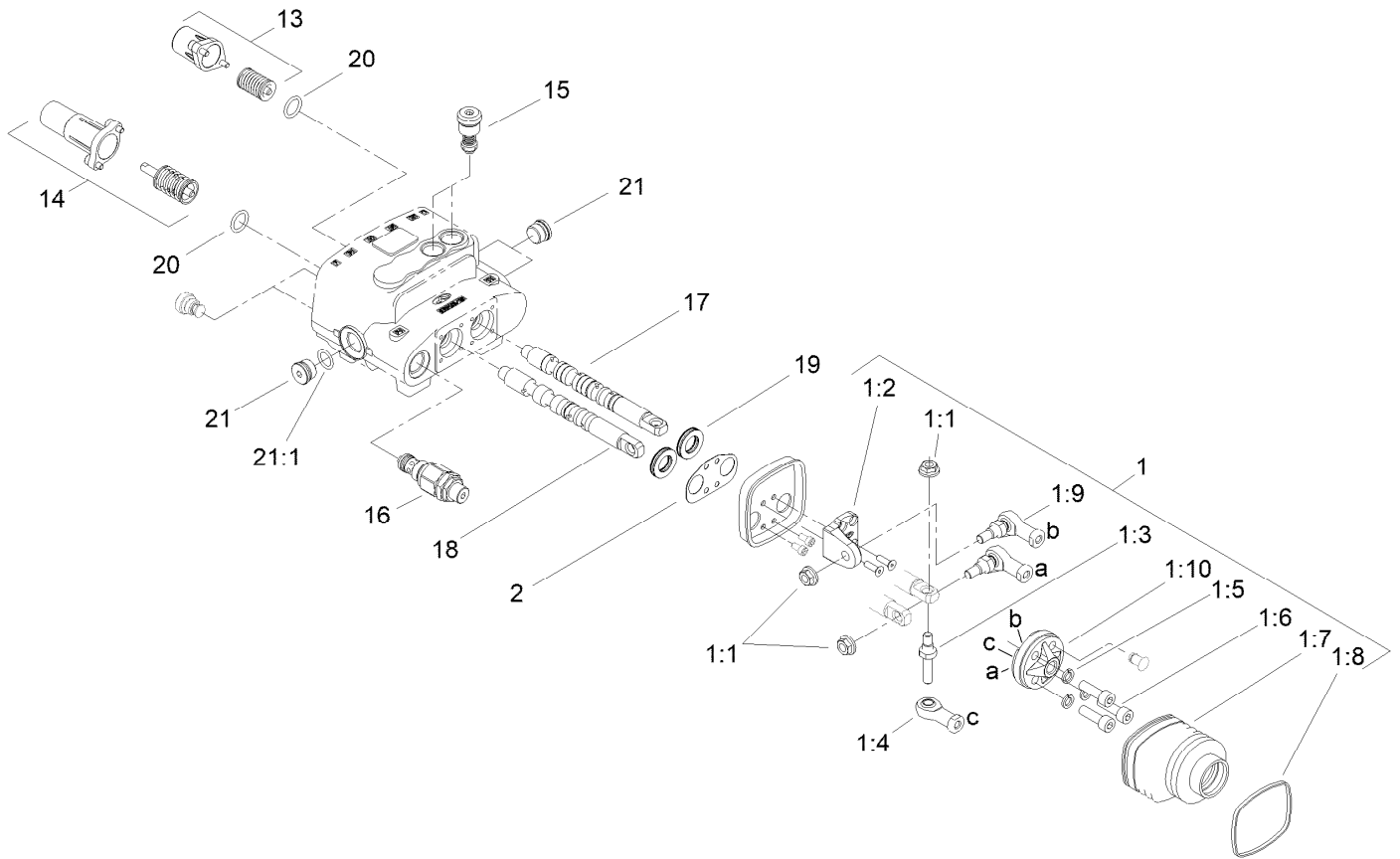
## Principal Hydraulic Assembly (continued)

| <i>Ref.</i> | <i>Part Number</i> | <i>Qty.</i> | <i>Description</i> | <i>Ref.</i> | <i>Part Number</i> | <i>Qty.</i> | <i>Description</i>         |
|-------------|--------------------|-------------|--------------------|-------------|--------------------|-------------|----------------------------|
| 1           | 104-2831           | 1           | 1 Spool Valve ASM  | 10:1        | 237-30             | 2           | O-Ring                     |
| 2           | 322-11             | 2           | Screw-HH           | 10:2        | 340-127            | 1           | Nut-Bulkhead               |
| 3           | 3296-29            | 2           | Nut-Lock, NI       | 12          | 106-9311           | 1           | Tube-HYD                   |
| 4           | 340-4              | 2           | Fitting-Straight   | 13          | 106-9314           | 1           | Tube-HYD                   |
| 4:1         | 237-30             | 1           | O-Ring             | 14          | 340-71             | 4           | Fitting-Straight, Bulkhead |
| 4:2         | 237-79             | 1           | O-Ring             | 14:1        | 237-22             | 2           | O-Ring                     |
| 5           | 144-7354           | 1           | 2 Spool Valve ASM  | 15          | 340-70             | 6           | Nut-Lock                   |
| 6           | 3253-4             | 3           | Washer-Lock        | 16          | 106-9312           | 1           | Tube-HYD                   |
| 7           | 322-4              | 3           | Screw-HH           | 17          | 106-9313           | 1           | Tube-HYD                   |
| 8           | 340-2              | 4           | Fitting-Straight   | 18          | 340-68             | 2           | Fitting-Tee, Bulkhead      |
| 8:1         | 237-22             | 1           | O-Ring             | 18:1        | 237-22             | 3           | O-Ring                     |
| 8:2         | 237-42             | 1           | O-Ring             | 19          | 106-9316           | 1           | Tube-HYD                   |
| 9           | 106-9310           | 1           | Tube-HYD           | 20          | 106-9315           | 1           | Tube-HYD                   |
| 10          | 340-161            | 2           | Fitting-Bulkhead   | 21          | 106-9317           | 1           | Tube-HYD                   |



## One Spool Valve Assembly No. 104-2831

| <i>Ref.</i> | <i>Part Number</i> | <i>Qty.</i> | <i>Description</i> |
|-------------|--------------------|-------------|--------------------|
| 1           | 99-4390            | 1           | Seal Kit           |
| 1:1         | 99-3074            | 4           | Gasket             |
| 1:2         | 99-3075            | 8           | Gasket             |

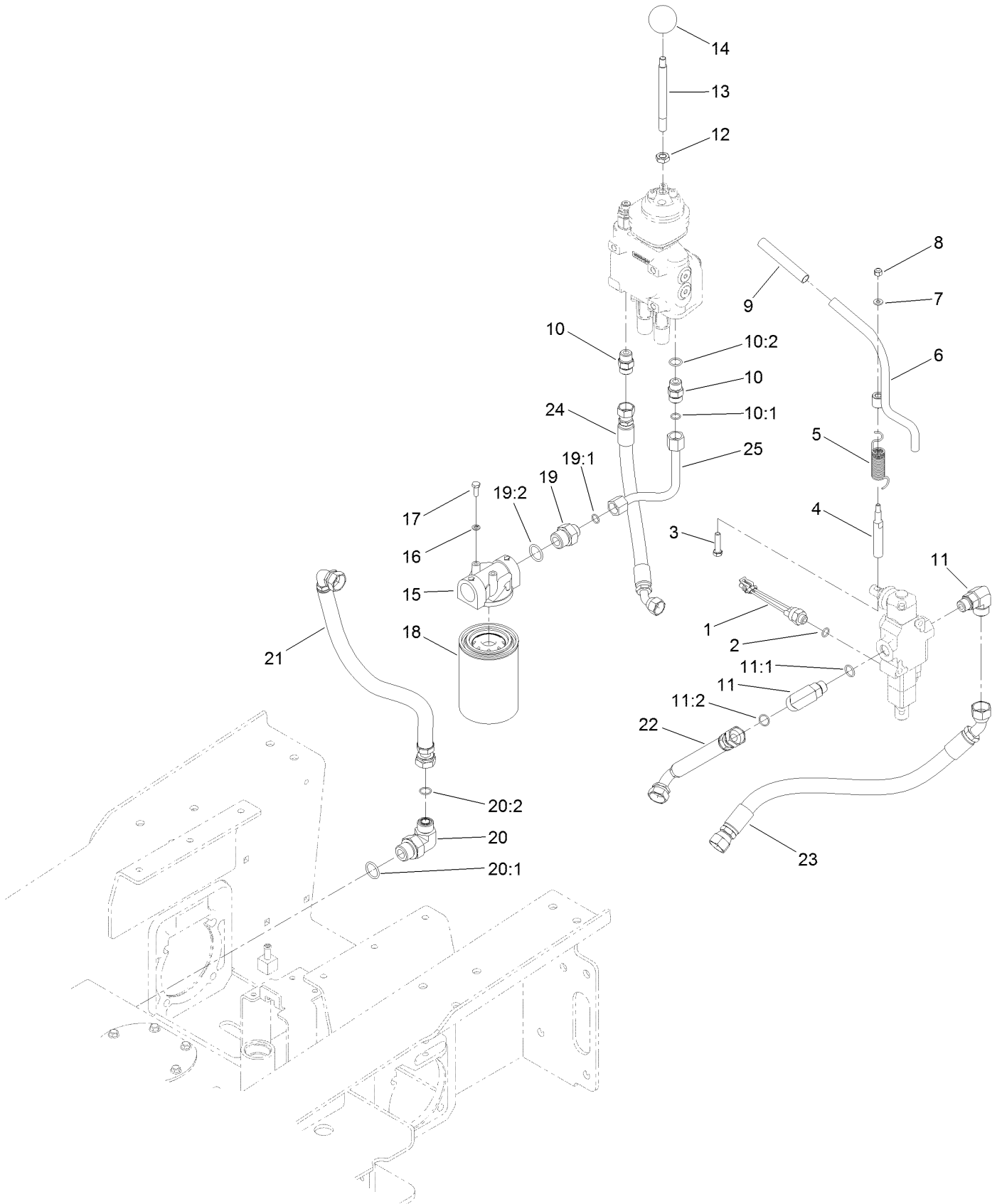


## Two Spool Valve Assembly No. 144-7354

| <i>Ref.</i> | <i>Part Number</i> | <i>Qty.</i> | <i>Description</i>  |
|-------------|--------------------|-------------|---------------------|
| 1           | 106-7724           | 1           | Joystick Kit        |
| 1:1         | 98-0668            | 3           | Nut                 |
| 1:2         | 106-7726           | 1           | Pivot-Joystick      |
| 1:3         | 106-7727           | 1           | Pin-Joystick        |
| 1:4         | 106-7728           | 1           | End-Rod             |
| 1:5         | 42-9850            | 3           | Washer-Lock, Spring |
| 1:6         | 98-5828            | 3           | Screw-HSH           |
| 1:7         | 106-7729           | 1           | Bellow-Rubber       |
| 1:8         | 3290-379           | 1           | Tie-Cable           |
| 1:9         | 106-7730           | 2           | Joint-Joystick      |
| 1:10        | 106-7731           | 1           | Holder-Articulated  |

| <i>Ref.</i> | <i>Part Number</i> | <i>Qty.</i> | <i>Description</i> |
|-------------|--------------------|-------------|--------------------|
| 2           | 106-7725           | 1           | Seal-Joystick      |
| 13          | 106-7732           | 1           | Valve Spring Kit   |
| 14          | 106-7733           | 1           | Detent Spring Kit  |
| 15          | 106-7734           | 2           | Valve-Relief       |
| 16          | 106-7735           | 1           | Valve-Relief, Main |
| 17          | 106-7736           | 1           | Spool-Valve        |
| 18          | 144-7350           | 1           | Spool - Valve      |
| 19          | 106-7738           | 2           | Seal-Valve, Spool  |
| 20          | 106-7719           | 2           | Seal-Valve         |
| 21          | 353-988            | 3           | Plug-Hex           |
| 21:1        | 237-79             | 1           | O-Ring             |

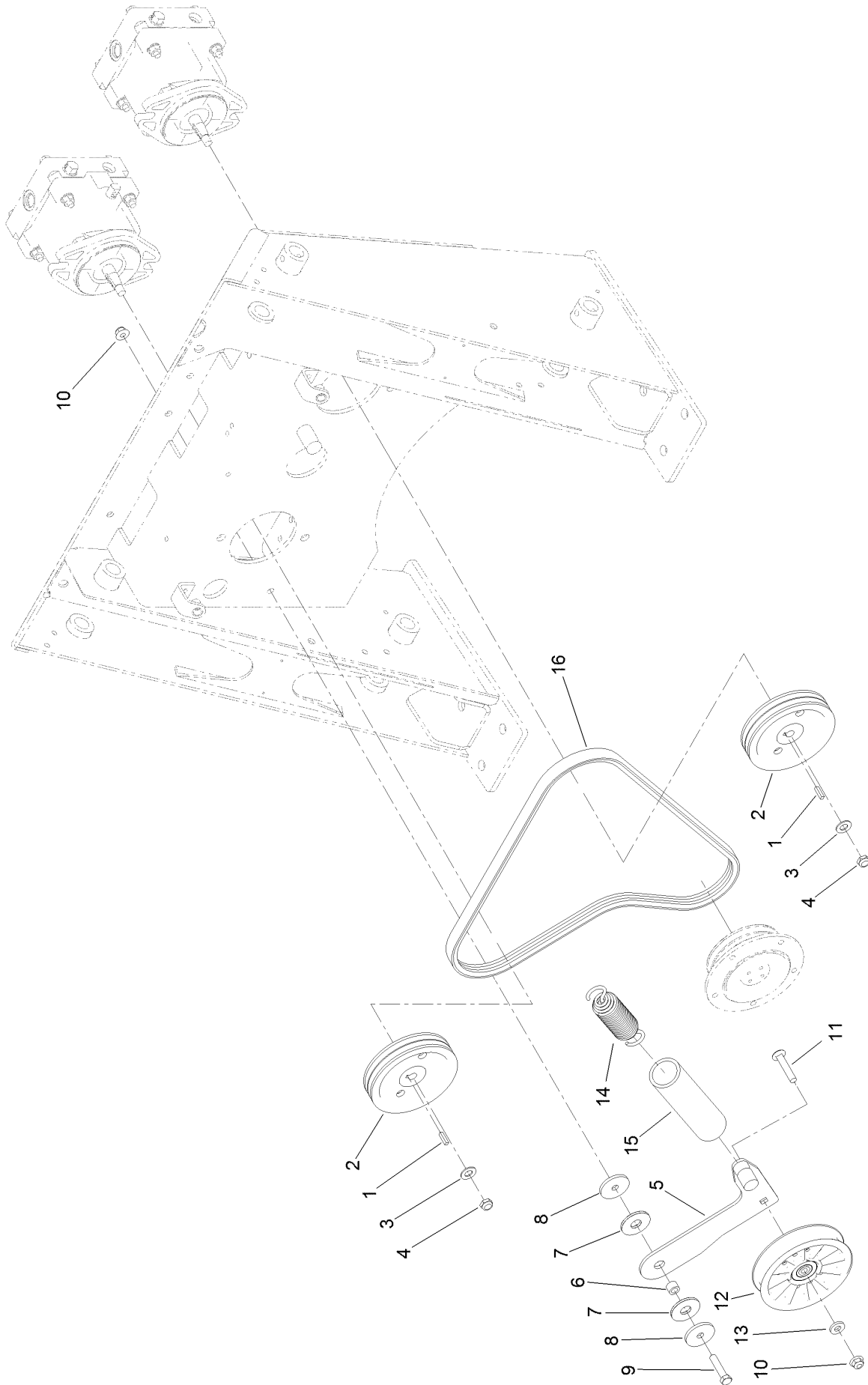
# Auxiliary Hydraulic Assembly



## Auxiliary Hydraulic Assembly (continued)

| <i>Ref.</i> | <i>Part Number</i> | <i>Qty.</i> | <i>Description</i>    | <i>Ref.</i> | <i>Part Number</i> | <i>Qty.</i> | <i>Description</i> |
|-------------|--------------------|-------------|-----------------------|-------------|--------------------|-------------|--------------------|
| 1           | 72-4310            | 1           | Switch-Ball           | 14          | 233-21             | 1           | Knob               |
| 2           | 237-42             | 1           | O-Ring                | 15          | 92-5821            | 1           | Head-Filter        |
| 3           | 33114-035          | 1           | Screw-HH              | 16          | 3253-3             | 2           | Washer-Lock        |
| 4           | 104-2827           | 1           | Spacer-Hiflo          | 17          | 321-4              | 2           | Screw-HH           |
| 5           | 112-2738           | 1           | Spring-Torsion        | 18          | 86-3010            | 2           | Filter-Oil         |
| 6           | 112-2739           | 1           | Lever-Auxiliary       | 19          | 100-4240           | 1           | Fitting-STR        |
| 7           | 3256-16            | 1           | Washer-Flat           | 19:1        | 237-30             | 1           | O-Ring             |
| 8           | 3296-42            | 1           | Nut-Lock, NI          | 19:2        | 237-81             | 1           | O-Ring             |
| 9           | 112-2605           | 1           | Grip-Rubber           | 20          | 340-139            | 1           | Fitting-Elbow 90   |
| 10          | 340-4              | 2           | Fitting-Straight      | 20:1        | 237-81             | 1           | O-Ring             |
| 10:1        | 237-30             | 1           | O-Ring                | 20:2        | 237-65             | 1           | O-Ring             |
| 10:2        | 237-79             | 1           | O-Ring                | 21          | 112-2442           | 1           | Hose-HYD           |
| 11          | 340-153            | 2           | Fitting-Elbow, 90 DEG | 22          | 112-2443           | 1           | Hose-HYD           |
| 11:1        | 237-79             | 1           | O-Ring                | 23          | 112-2561           | 1           | Hose-HYD           |
| 11:2        | 237-151            | 1           | O-Ring                | 24          | 112-2560           | 1           | Hose-HYD           |
| 12          | 51-2070            | 1           | Nut                   | 25          | 106-9385           | 1           | Tube-HYD           |
| 13          | 108-4675           | 1           | Shaft-Handle, Loader  |             |                    |             |                    |

# Drive Assembly

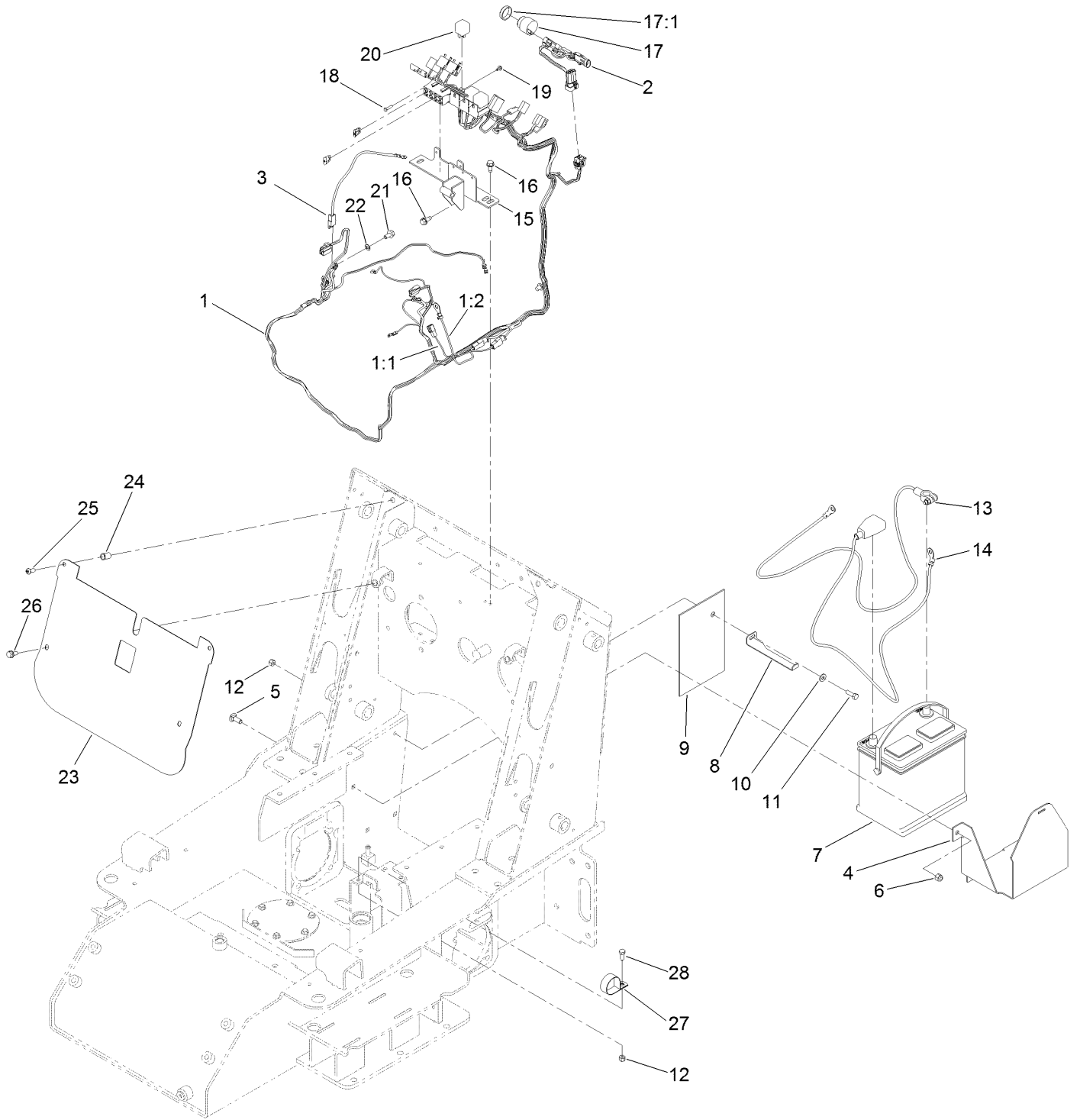




## Drive Assembly (continued)

| <i>Ref.</i> | <i>Part Number</i> | <i>Qty.</i> | <i>Description</i>         | <i>Ref.</i> | <i>Part Number</i> | <i>Qty.</i> | <i>Description</i> |
|-------------|--------------------|-------------|----------------------------|-------------|--------------------|-------------|--------------------|
| 1           | 3-6168             | 2           | Key                        | 9           | 323-9              | 1           | Screw-HH           |
| 2           | 106-5710           | 2           | Pulley-3V                  | 10          | 104-8301           | 2           | Nut-HF, NI         |
| 3           | 3256-25            | 2           | Washer-Flat                | 11          | 117-9971           | 1           | Bolt-Carriage      |
| 4           | 3296-38            | 2           | Nut-Lock, NI               | 12          | 119-2358           | 1           | Pulley-Idler       |
| 5           | 117-9968           | 1           | Idler Arm ASM              | 13          | 43-0940            | 1           | Spacer             |
| 6           | 115-4986           | 1           | Spacer                     | 14          | 105-0383           | 1           | Spring-Extension   |
| 7           | 114-0463           | 2           | Washer-Friction, Composite | 15          | 112-2409           | 1           | Retainer-Spring    |
| 8           | 115-1485           | 2           | Washer-Plain               | 16          | 108-6262           | 1           | V-Belt             |

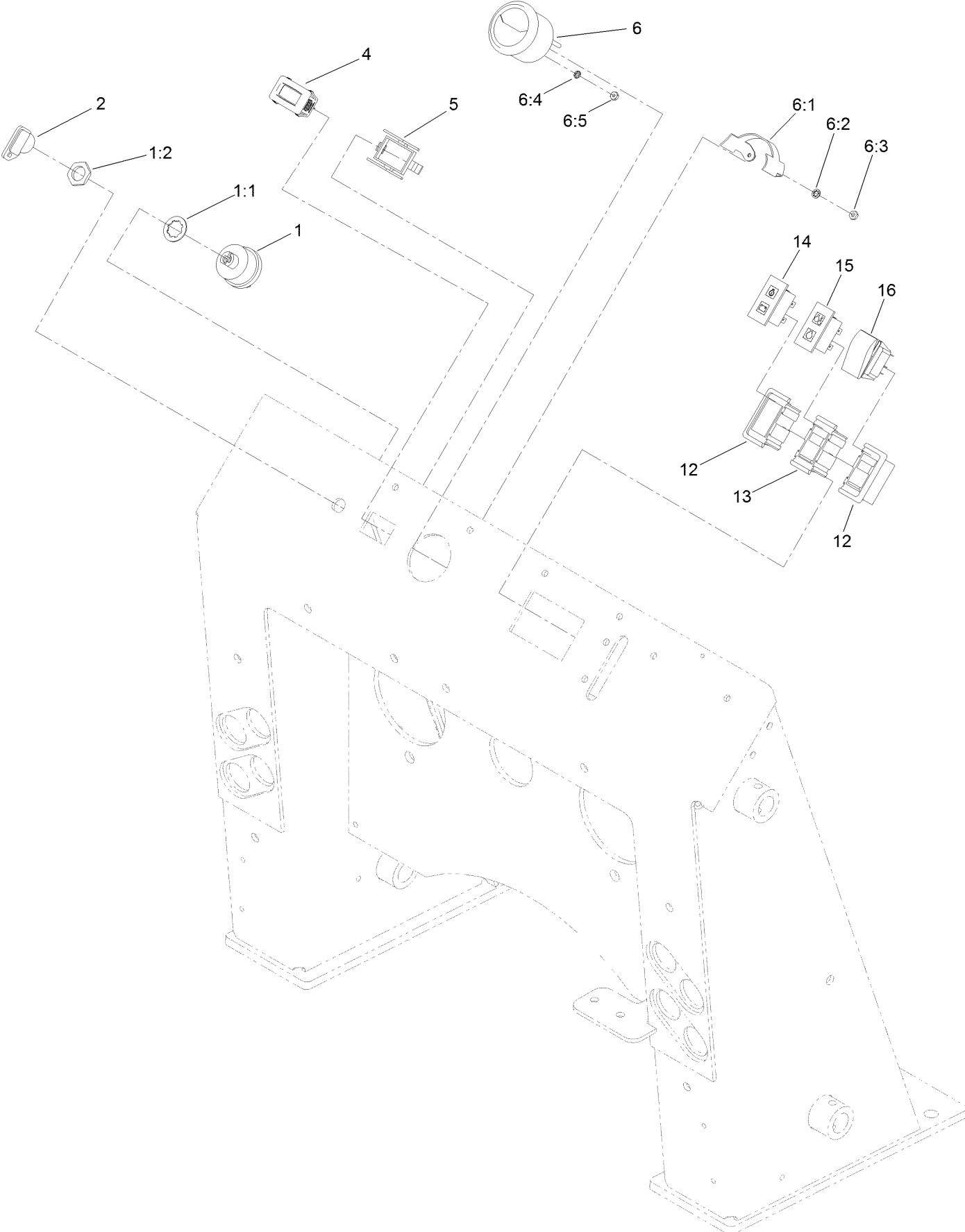
# Electrical Assembly



## Electrical Assembly (continued)

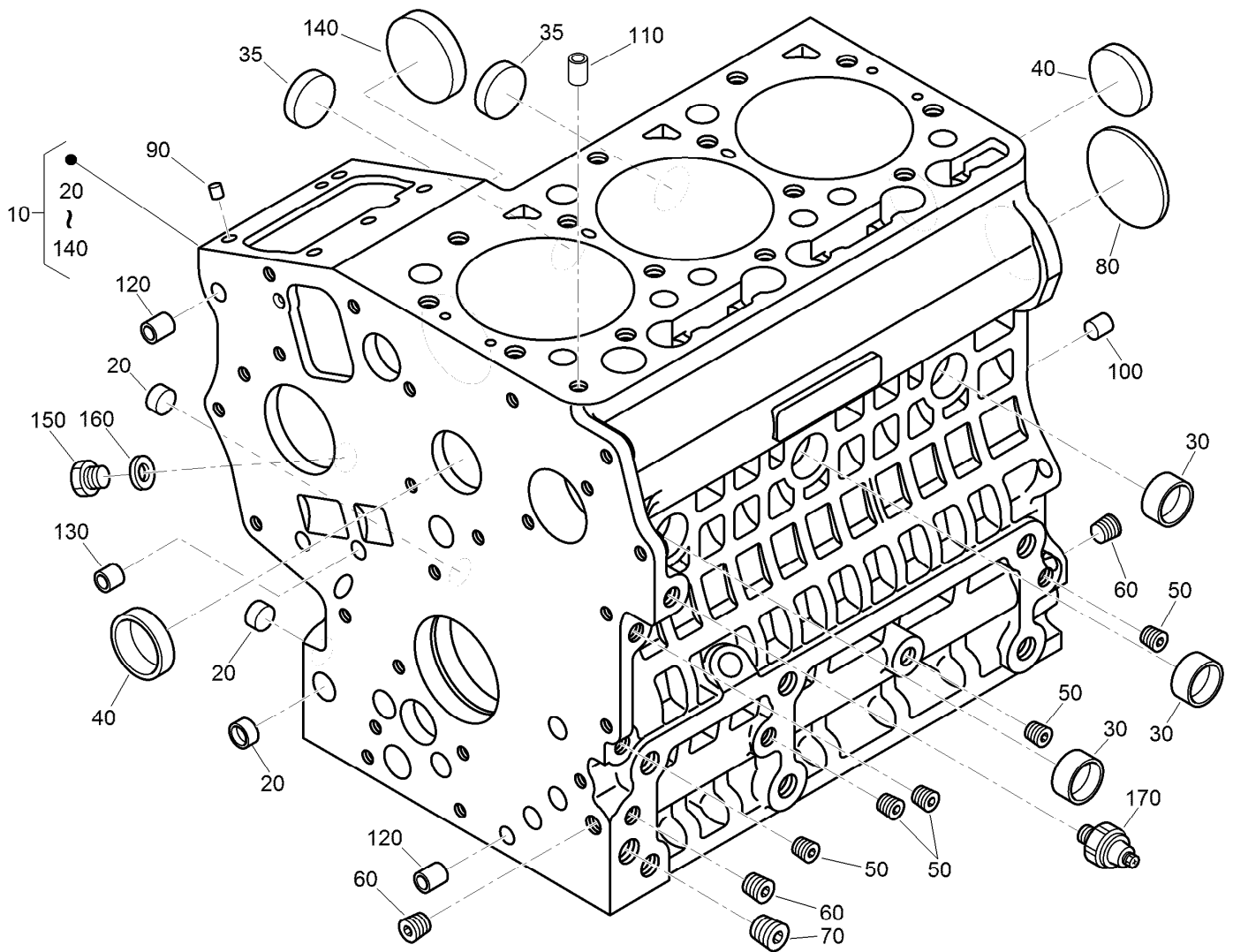
| <i>Ref.</i> | <i>Part Number</i> | <i>Qty.</i> | <i>Description</i>           | <i>Ref.</i> | <i>Part Number</i> | <i>Qty.</i> | <i>Description</i>   |
|-------------|--------------------|-------------|------------------------------|-------------|--------------------|-------------|----------------------|
| 1           | 117-1329           | 1           | Harness-Wire                 | 15          | 108-6360-03        | 1           | Bracket-Relay        |
| 1:1         | 112-2463           | 1           | Harness-Link, Fusible        | 16          | 32144-11           | 3           | Screw-HWH            |
| 1:2         | 108-6346           | 1           | Harness-Link, Fusible (14FI) | 17          | 80-9330            | 1           | Audio Alarm ASM      |
| 2           | 115-0730           | 1           | Harness-Wire, Neutral        | 17:1        | 104-5107           | 1           | Nut-Plastic, Knurled |
| 3           | 108-6365           | 1           | Harness-Wire                 | 18          | 32104-4            | 2           | Screw                |
| 4           | 108-6274-03        | 1           | Mount-Battery                | 19          | 104-2065           | 3           | Screw-HWH            |
| 5           | 3231-2             | 3           | Bolt-CARR                    | 20          | 98-7249            | 3           | Relay                |
| 6           | 3296-39            | 3           | Nut-Lock, NI                 | 21          | 33104-016          | 1           | Screw-HHF            |
| 7           | 104-9979           | 1           | Battery                      | 22          | 3255-8             | 1           | Washer-Lock          |
| 8           | 108-6275           | 1           | Clamp-Battery                | 23          | 108-6225           | 1           | Baffle-Electrical    |
| 9           | 108-6392           | 1           | Guard-Battery                | 24          | 32148-8            | 2           | Nut-Clinch           |
| 10          | 3256-2             | 1           | Washer-Flat                  | 25          | 3274-55            | 2           | Screw-HSBH           |
| 11          | 322-5              | 1           | Screw-HH                     | 26          | 3234-5             | 2           | Screw-HHF            |
| 12          | 3296-29            | 2           | Nut-Lock, NI                 | 27          | 2412-147           | 1           | Clamp-R              |
| 13          | 108-6328           | 1           | Cable-Battery, Negative      | 28          | 322-3              | 1           | Screw-HH             |
| 14          | 108-6327           | 1           | Cable-Battery, Positive      |             |                    |             |                      |

# Fuel Gauge, Hour Meter and Ignition Assembly



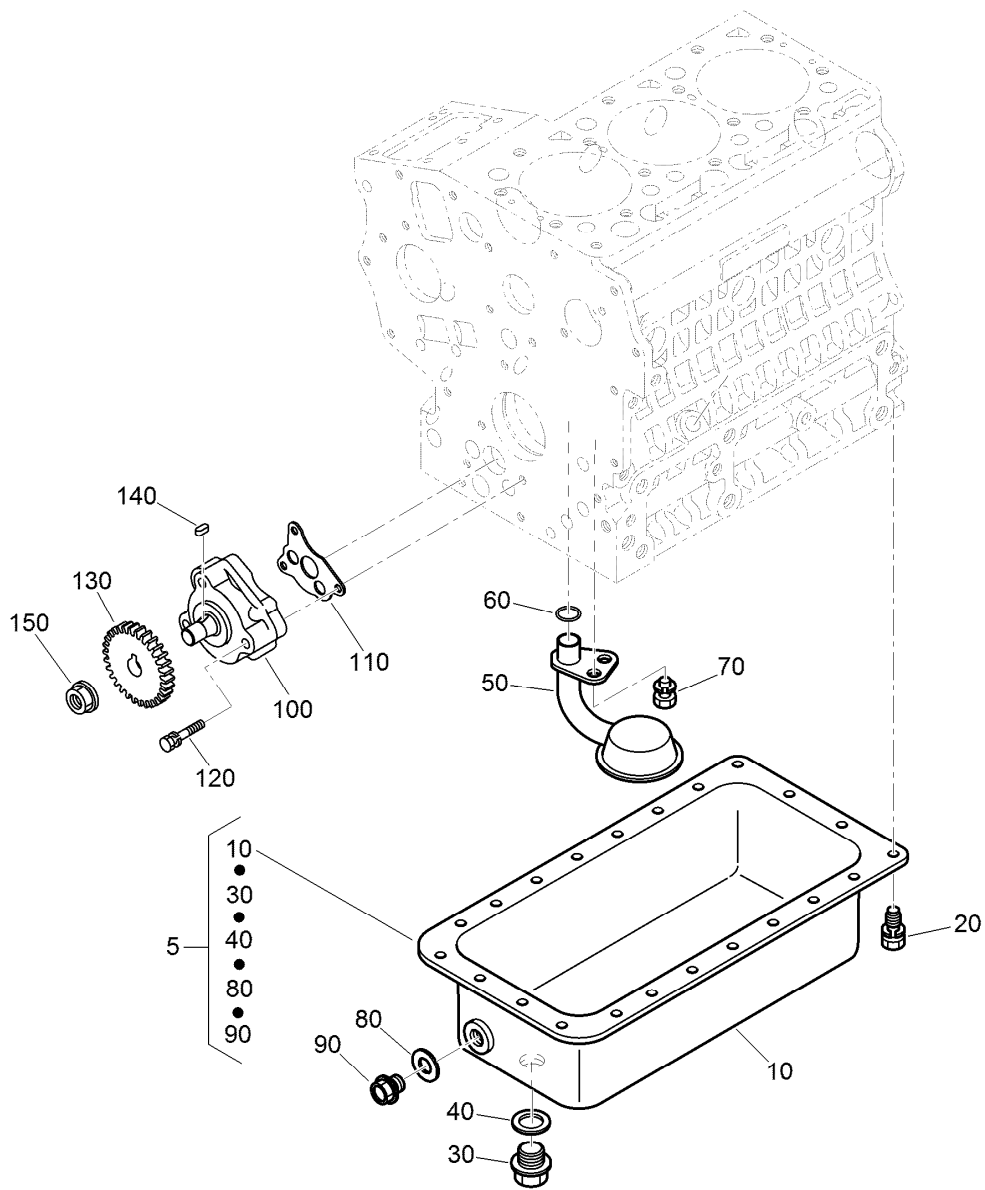
## Fuel Gauge, Hour Meter and Ignition Assembly (continued)

| <i>Ref.</i> | <i>Part Number</i> | <i>Qty.</i> | <i>Description</i>      | <i>Ref.</i> | <i>Part Number</i> | <i>Qty.</i> | <i>Description</i> |
|-------------|--------------------|-------------|-------------------------|-------------|--------------------|-------------|--------------------|
| 1           | 88-9830            | 1           | Key Switch ASM          | 6:3         | 3217-27            | 2           | Nut-Hex            |
| 1:1         | 3254-5             | 1           | Washer-Lock             | 6:4         | 3255-24            | 3           | Washer-Lock / EXT  |
| 1:2         | 218-461            | 1           | Nut-HH                  | 6:5         | 3217-16            | 3           | Nut-Hex            |
| 2           | 63-8360            | 2           | Key-Ignition            | 12          | 108-6325           | 2           | Bracket-End        |
| 4           | 120-2244           | 1           | Hourmeter               | 13          | 108-6326           | 1           | Bracket-Middle     |
| 5           | 104-4234           | 1           | Clip-Mounting           | 14          | 100-8070           | 1           | Lamp-Warning       |
| 6           | 66-2940            | 1           | Gauge-Fuel              | 15          | 100-8071           | 1           | Lamp-Warning       |
| 6:1         | 100-6147           | 1           | Bracket-Mounting, Gauge | 16          | 110-0811           | 1           | Switch-Rocker      |
| 6:2         | 3254-1             | 2           | Washer-Lock, Int        |             |                    |             | On-None-(On)       |



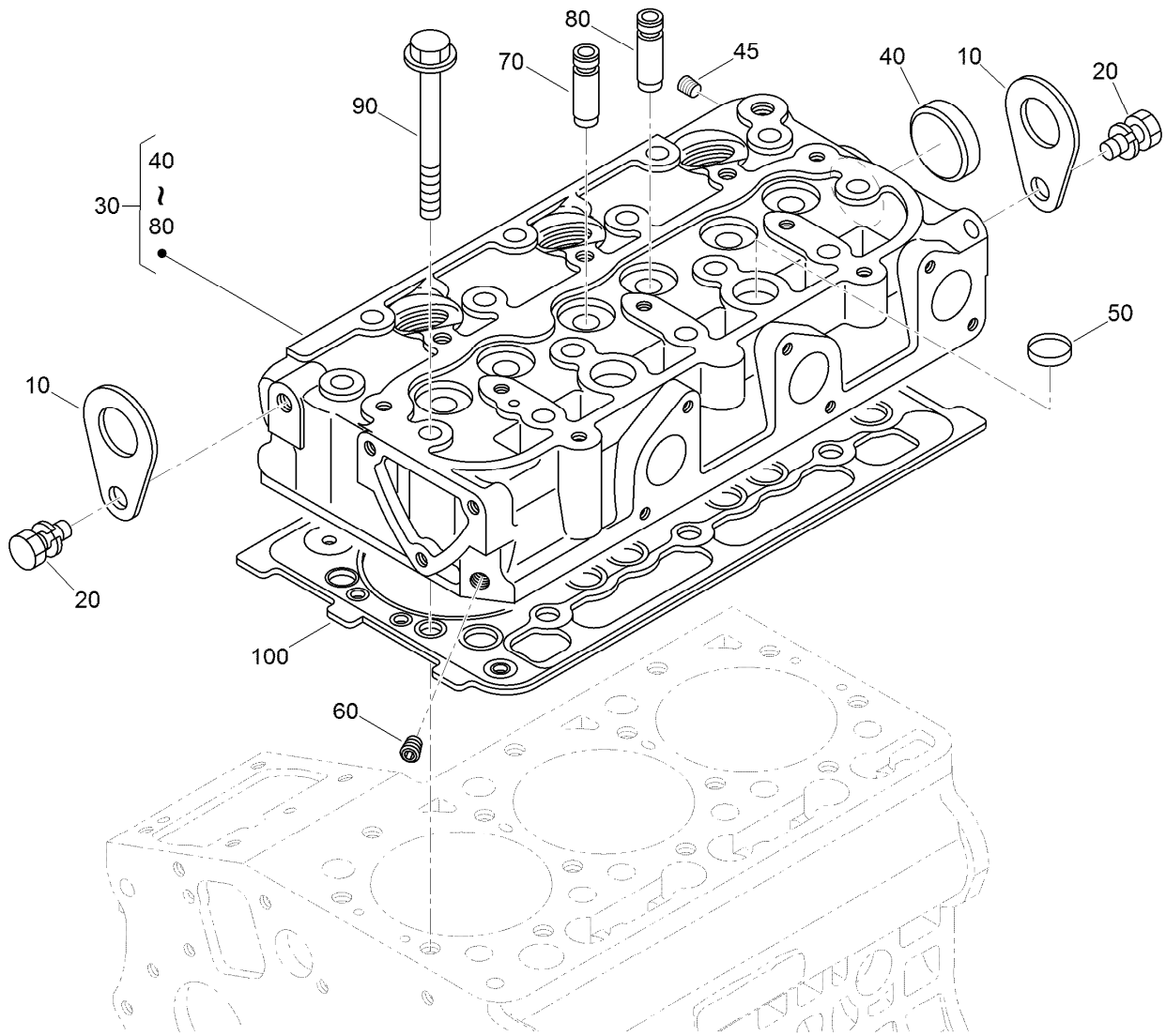
## Crankcase Assembly

| <i>Ref.</i> | <i>Part Number</i> | <i>Qty.</i> | <i>Description</i> | <i>Ref.</i> | <i>Part Number</i> | <i>Qty.</i> | <i>Description</i>   |
|-------------|--------------------|-------------|--------------------|-------------|--------------------|-------------|----------------------|
| 10          | 120-3120           | 1           | Crankcase ASM      | 90          | 98-9375            | 2           | Pin-Straight         |
| 20          | 100-2019           | 3           | Cap-Sealing        | 100         | 98-9377            | 2           | Pin-Straight         |
| 30          | 100-2020           | 3           | Cap-Sealing        | 110         | 98-7506            | 1           | Pin-Pipe             |
| 35          | 110-3702           | 2           | Cap-Sealing        | 120         | 100-2051           | 2           | Pin-Pipe             |
| 40          | 98-9398            | 2           | Cap-Sealing        | 130         | 100-2051           | 2           | Pin-Pipe             |
| 50          | 98-9687            | 5           | Plug               | 140         | 100-1991           | 1           | Cover-Fuel, Camshaft |
| 60          | 98-7487            | 3           | Plug               | 150         | 99-3447            | 1           | Plug                 |
| 70          | 98-7488            | 1           | Plug               | 160         | 112-8325           | 1           | Washer               |
| 80          | 100-1851           | 1           | Plug-Expansion     | 170         | 98-7764            | 1           | Switch-Oil           |



## Oil Pan and Oil Pump Assembly

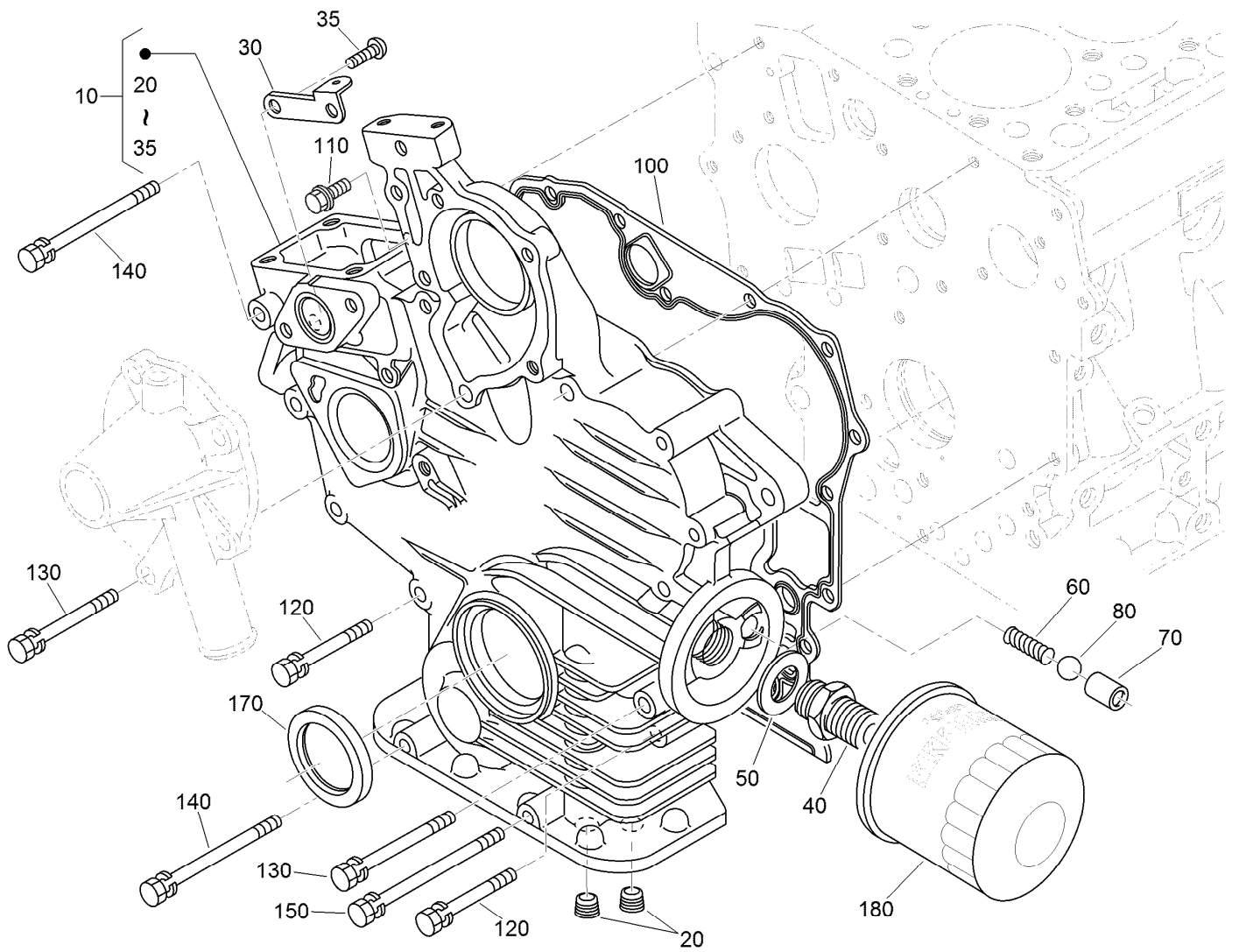
| <i>Ref.</i> | <i>Part Number</i> | <i>Qty.</i> | <i>Description</i>   | <i>Ref.</i> | <i>Part Number</i> | <i>Qty.</i> | <i>Description</i>   |
|-------------|--------------------|-------------|----------------------|-------------|--------------------|-------------|----------------------|
| 5           | 112-8327           | 1           | Oil Pan Kit          | 80          | 98-7524            | 1           | Gasket               |
| 10          | 112-2523           | 1           | Pan-Oil              | 90          | 98-9686            | 1           | Plug-Drain           |
| 20          | 98-9350            | 22          | Bolt                 | 100         | 100-2002           | 1           | Oil Pump ASM         |
| 30          | 114-8151           | 1           | Plug-Drain           | 110         | 100-2003           | 1           | Gasket-Pump, Oil     |
| 40          | 110-9715           | 1           | Gasket-Pan, Oil      | 120         | 100-1923           | 3           | Bolt                 |
| 50          | 100-2001           | 1           | Strainer-Pickup, Oil | 130         | 130-1419           | 1           | Gear-Drive, Oil Pump |
| 60          | 105-3776           | 1           | O-Ring               | 140         | 98-7658            | 1           | Key-Feather          |
| 70          | 100-9195           | 1           | Bolt                 | 150         | 100-1779           | 1           | Nut-Flange           |



## Cylinder Head Assembly

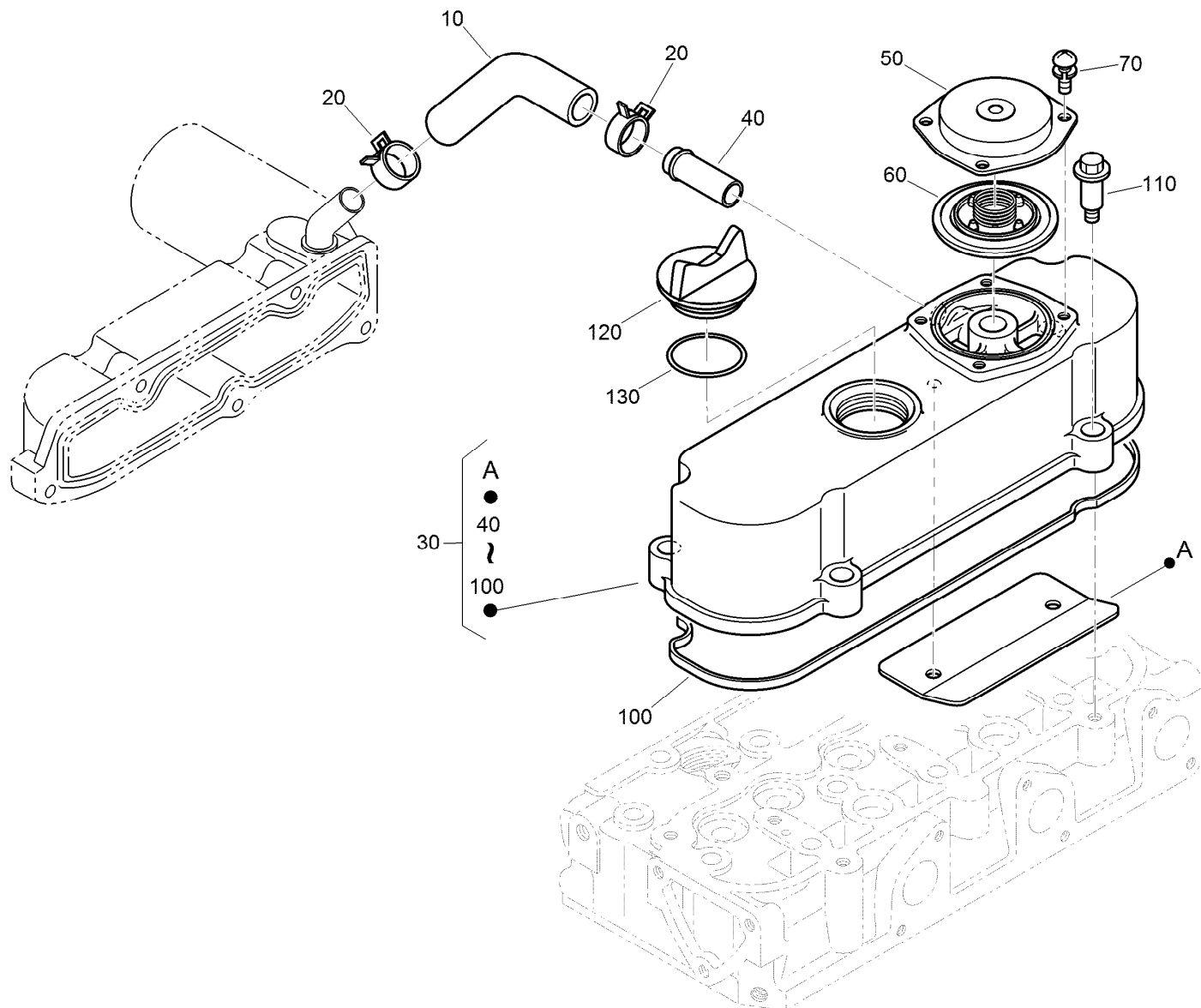
| <i>Ref.</i> | <i>Part Number</i> | <i>Qty.</i> | <i>Description</i>    |
|-------------|--------------------|-------------|-----------------------|
| 10          | 98-7531            | 2           | Hook-Engine           |
| 20          | 98-7526            | 2           | Bolt                  |
| 30          | 130-1533           | 1           | Cylinder Head ASM     |
| 40          | 105-3705           | 1           | Cap-Sealing           |
| 45          | 98-9444            | 1           | Plug                  |
| 50          | 98-9389            | 2           | Cap-Sealing           |
| 60          | 98-9687            | 1           | Plug                  |
| 70          | 100-1882           | 3           | Guide-Valve, Inlet    |
| 80          | 100-1883           | 3           | Guide-Valve, Exhaust  |
| 90          | 100-1820           | 14          | Bolt-Head, Cylinder   |
| 100         | 112-2520           | 1           | Gasket-Head, Cylinder |





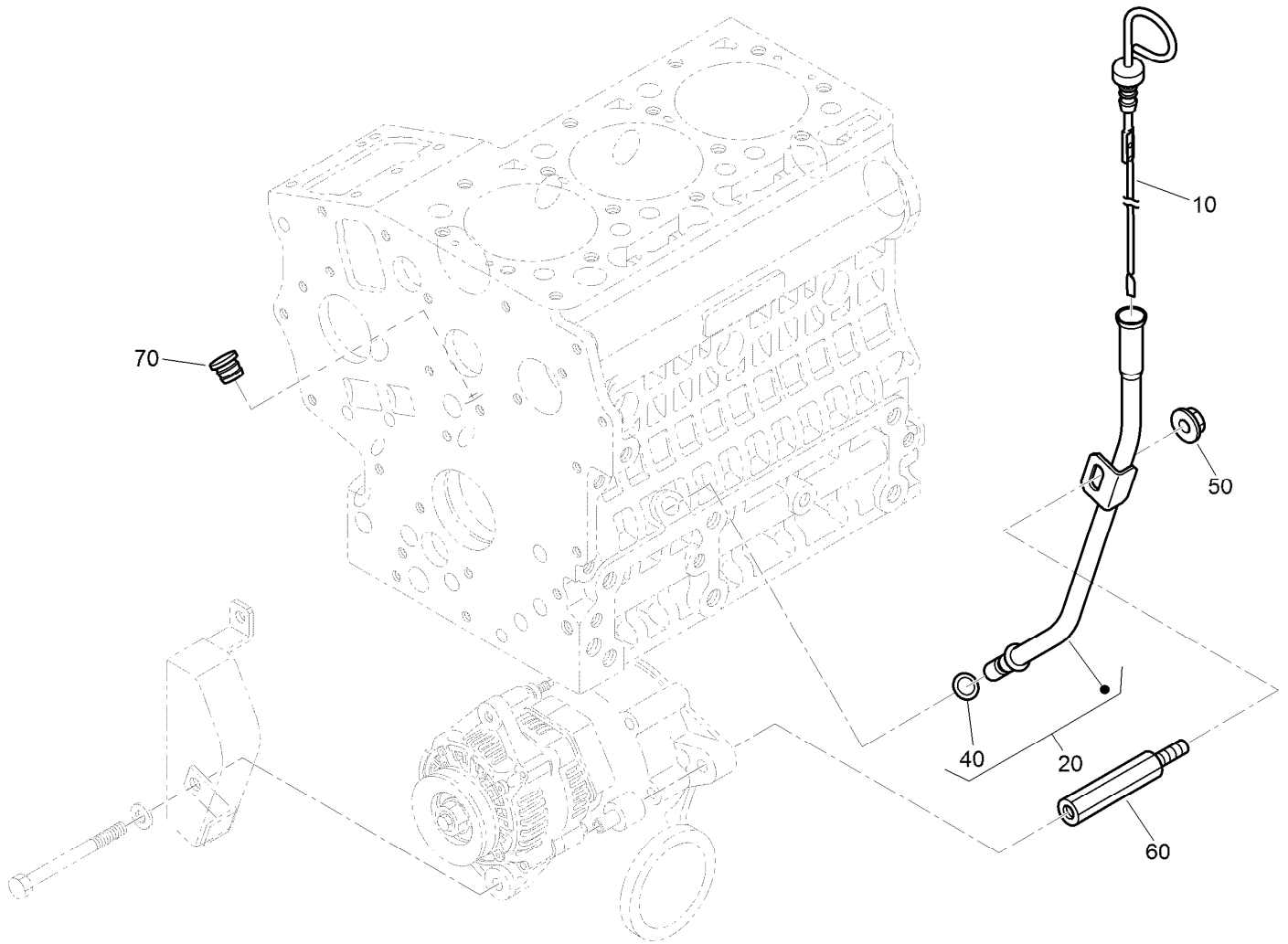
## Gear Case and Oil Filter Cartridge Assembly

| <i>Ref.</i> | <i>Part Number</i> | <i>Qty.</i> | <i>Description</i> | <i>Ref.</i> | <i>Part Number</i> | <i>Qty.</i> | <i>Description</i> |
|-------------|--------------------|-------------|--------------------|-------------|--------------------|-------------|--------------------|
| 10          | 117-1702           | 1           | Gear Case ASM      | 100         | 117-0327           | 1           | Gasket-Case, Gear  |
| 20          | 98-7488            | 2           | Plug               | 110         | 127-0403           | 1           | Bolt-Flange        |
| 30          | 110-3708           | 1           | Stay-Spring, Start | 120         | 125-9063           | 9           | Bolt-Sems          |
| 35          | 100-2040           | 2           | Screw              | 130         | 100-1922           | 2           | Bolt               |
| 40          | 98-9388            | 1           | Joint-Pipe         | 140         | 98-9357            | 2           | Bolt               |
| 50          | 100-1926           | 1           | Washer-Plain       | 150         | 110-3710           | 1           | Bolt               |
| 60          | 100-2004           | 1           | Spring             | 170         | 120-7852           | 1           | Seal-Oil           |
| 70          | 100-1894           | 1           | Seat-Valve         | 180         | 115-8189           | 1           | Filter-Oil, Engine |
| 80          | 100-1792           | 1           | Ball               |             |                    |             |                    |



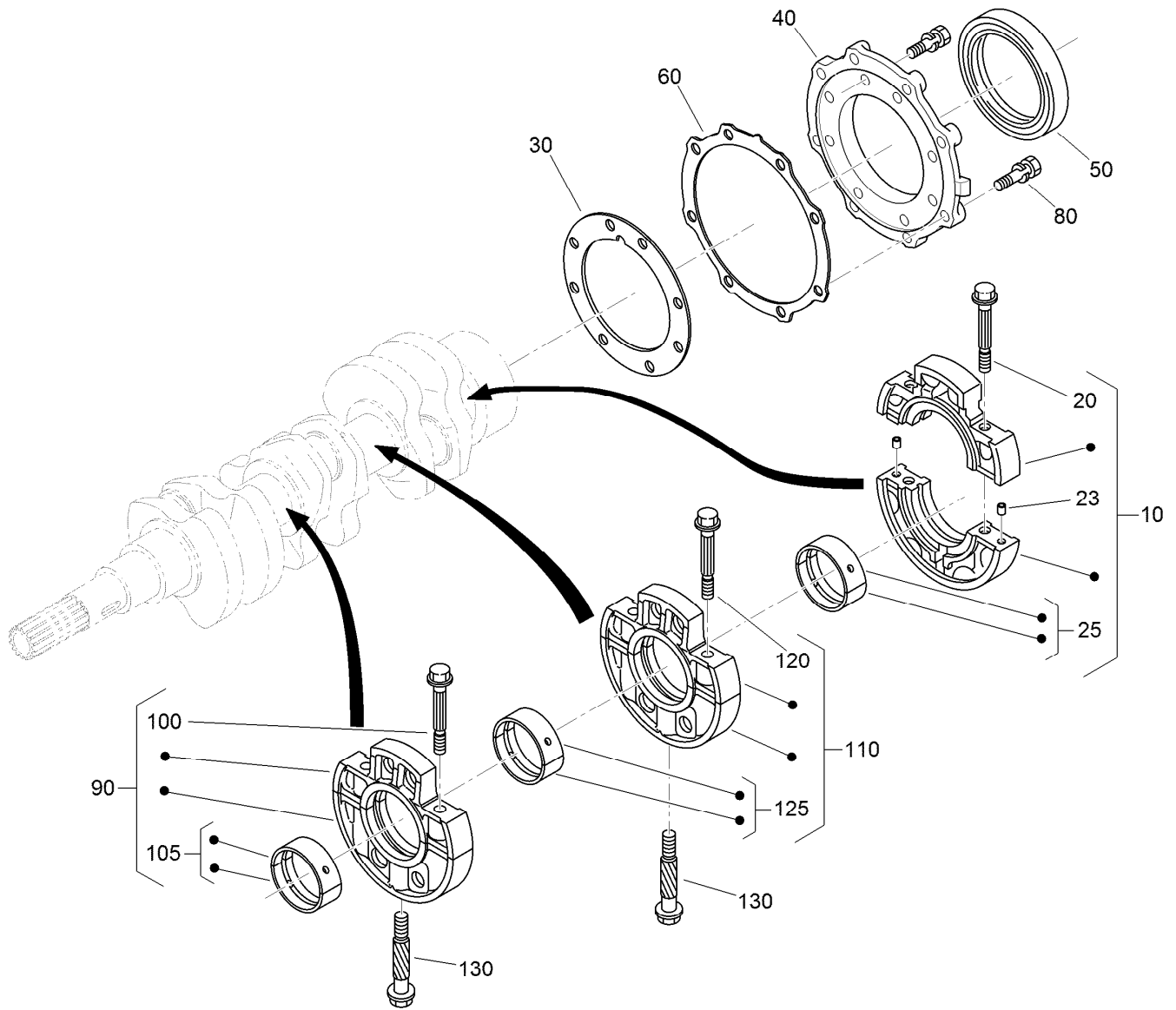
## Cylinder Head Cover Assembly

| Ref. | Part Number | Qty. | Description             |
|------|-------------|------|-------------------------|
| 10   | 120-3139    | 1    | Tube-Breather           |
| 20   | 110-3712    | 2    | Clamp-Hose              |
| 30   | 112-8332    | 1    | Cylinder Head Cover ASM |
| 40   | 98-9580     | 1    | Pipe-Return, Water      |
| 50   | 110-3714    | 1    | Cover-Breather          |
| 60   | 110-3715    | 1    | Valve-Breather          |
| 70   | 98-9364     | 4    | Screw (With Washer)     |
| 100  | 112-2521    | 1    | Gasket-Cover, Head      |
| 110  | 108-7063    | 4    | Bolt                    |
| 120  | 107-9075    | 1    | Plug-Filler, Oil        |
| 130  | 99-3446     | 1    | O-Ring                  |



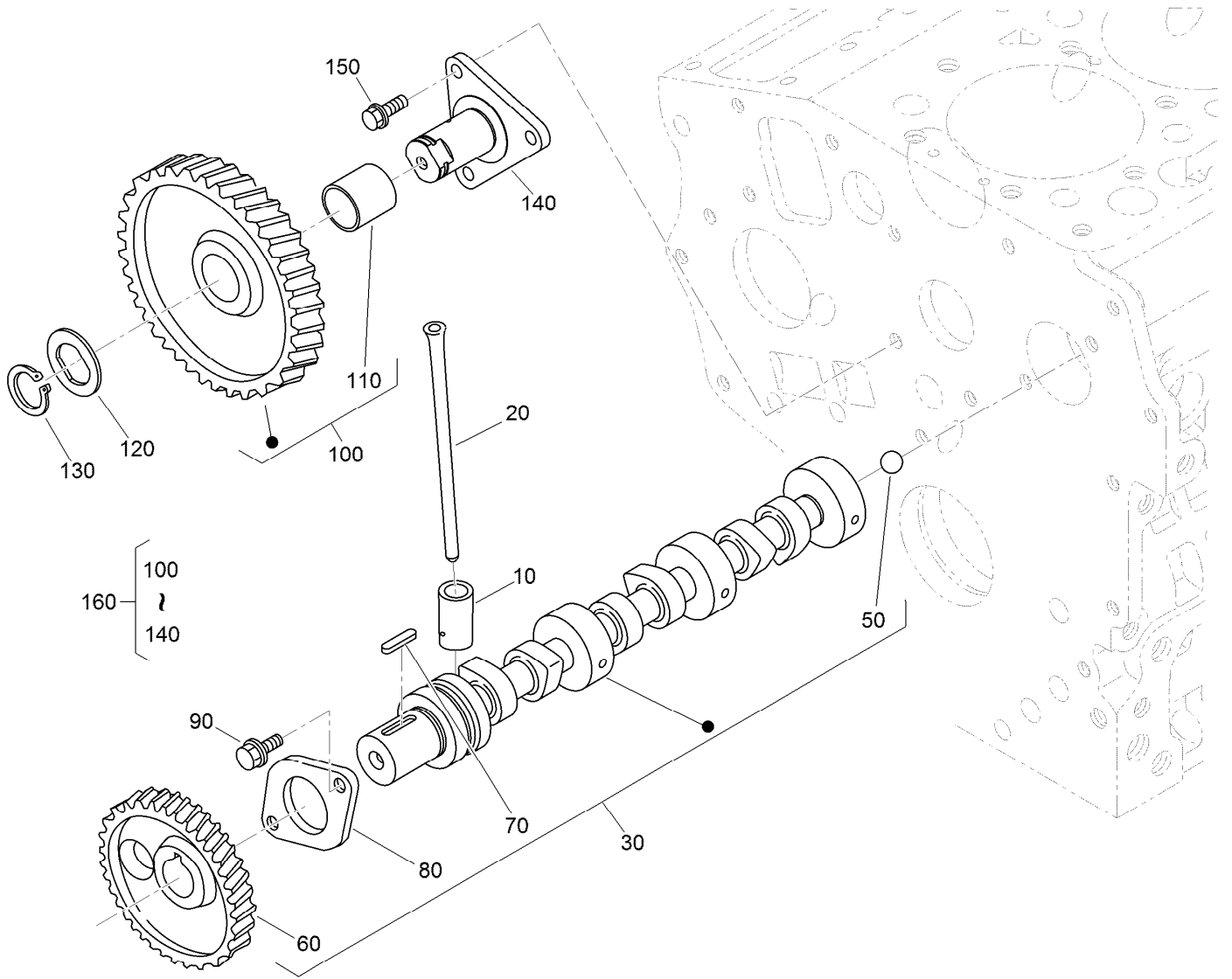
## Dipstick and Guide Assembly

| <i>Ref.</i> | <i>Part Number</i> | <i>Qty.</i> | <i>Description</i>   |
|-------------|--------------------|-------------|----------------------|
| 10          | 112-2489           | 1           | Gauge-Oil            |
| 20          | 112-2490           | 1           | Oil Gauge Guide ASM  |
| 40          | 98-9722            | 1           | O-Ring               |
| 50          | 112-2492           | 1           | Nut-Flange           |
| 60          | 112-2493           | 1           | Support-Guide, Gauge |
| 70          | 110-3720           | 2           | Plug-Gauge, Oil      |



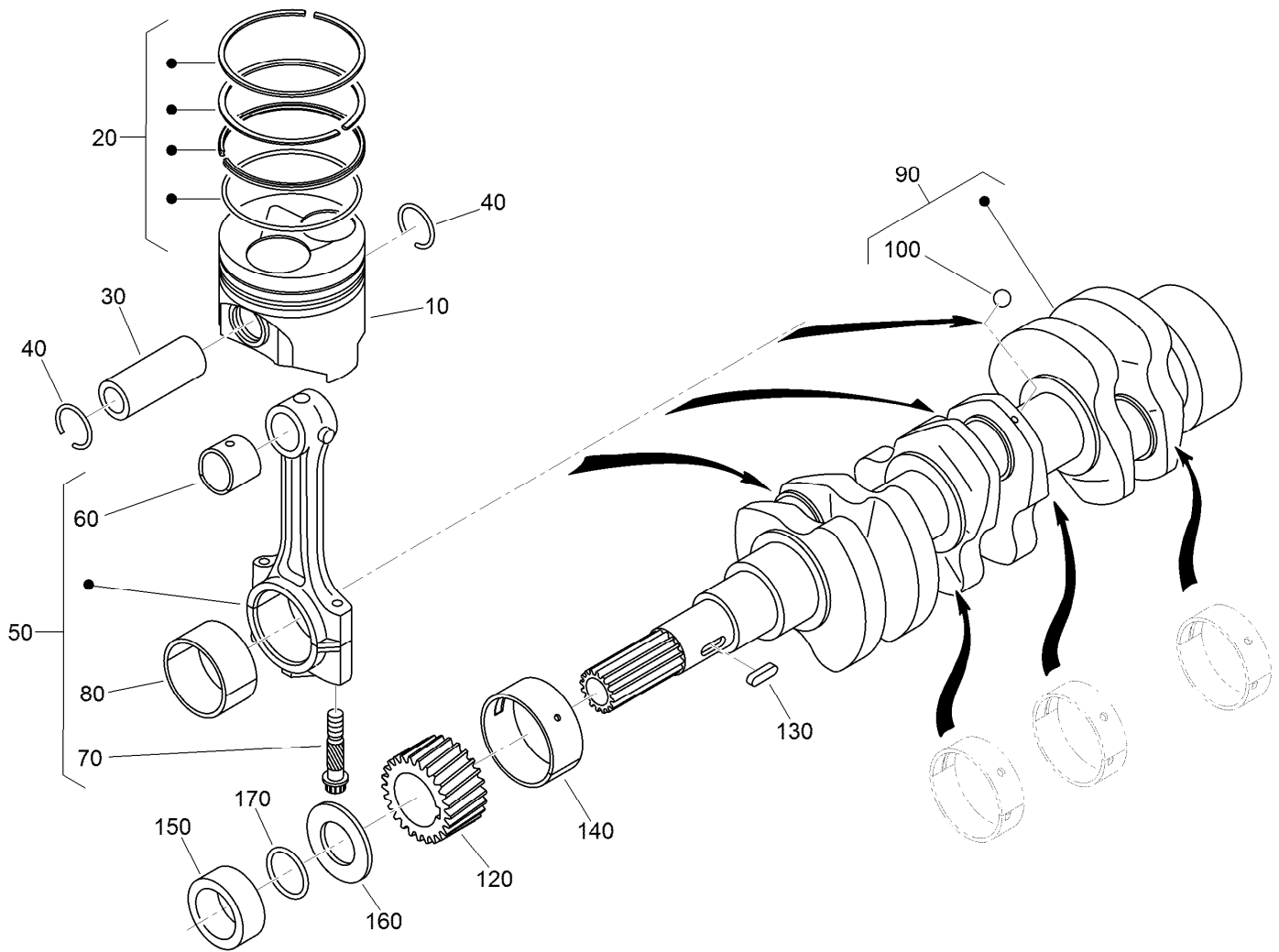
## Main Bearing Case Assembly

| Ref. | Part Number | Qty. | Description                    | Ref. | Part Number | Qty. | Description                    |
|------|-------------|------|--------------------------------|------|-------------|------|--------------------------------|
| 10   | 125-9064    | 1    | Wheel Bearing Case ASM         | 105  | 110-3741    | 1    | Crankshaft Metal ASM (STD)     |
| 20   | 125-9065    | 2    | Bolt-Flange                    | 105  | 125-9083    | 1    | Crankshaft Metal ASM (-0.20Mm) |
| 23   | 125-9082    | 2    | Pin-Straight                   | 105  | 110-3743    | 1    | Crankshaft Metal ASM (-0.40Mm) |
| 25   | 125-9066    | 1    | Crankshaft Metal ASM (STD)     | 110  | 125-9069    | 1    | Main Case Bearing ASM          |
| 25   | 125-9067    | 1    | Crankshaft Metal ASM (-0.20Mm) | 120  | 110-3723    | 2    | Bolt-Case, Bearing             |
| 25   | 125-9068    | 1    | Crankshaft Metal ASM (-0.40Mm) | 125  | 110-3741    | 1    | Crankshaft Metal ASM (STD)     |
| 30   | 117-0304    | 1    | Gasket-Case, Bearing           | 125  | 125-9083    | 1    | Crankshaft Metal ASM (-0.20Mm) |
| 40   | 112-8334    | 1    | Cover-Case, Bearing            | 125  | 110-3743    | 1    | Crankshaft Metal ASM (-0.40Mm) |
| 50   | 110-3724    | 1    | Seal-Oil                       | 130  | 100-1874    | 2    | Bolt-Case, Bearing             |
| 60   | 100-1876    | 1    | Gasket-Cover, Case             |      |             |      |                                |
| 80   | 100-1750    | 16   | Bolt                           |      |             |      |                                |
| 90   | 110-3725    | 1    | Main Bearing Case ASM          |      |             |      |                                |
| 100  | 110-3723    | 2    | Bolt-Case, Bearing             |      |             |      |                                |



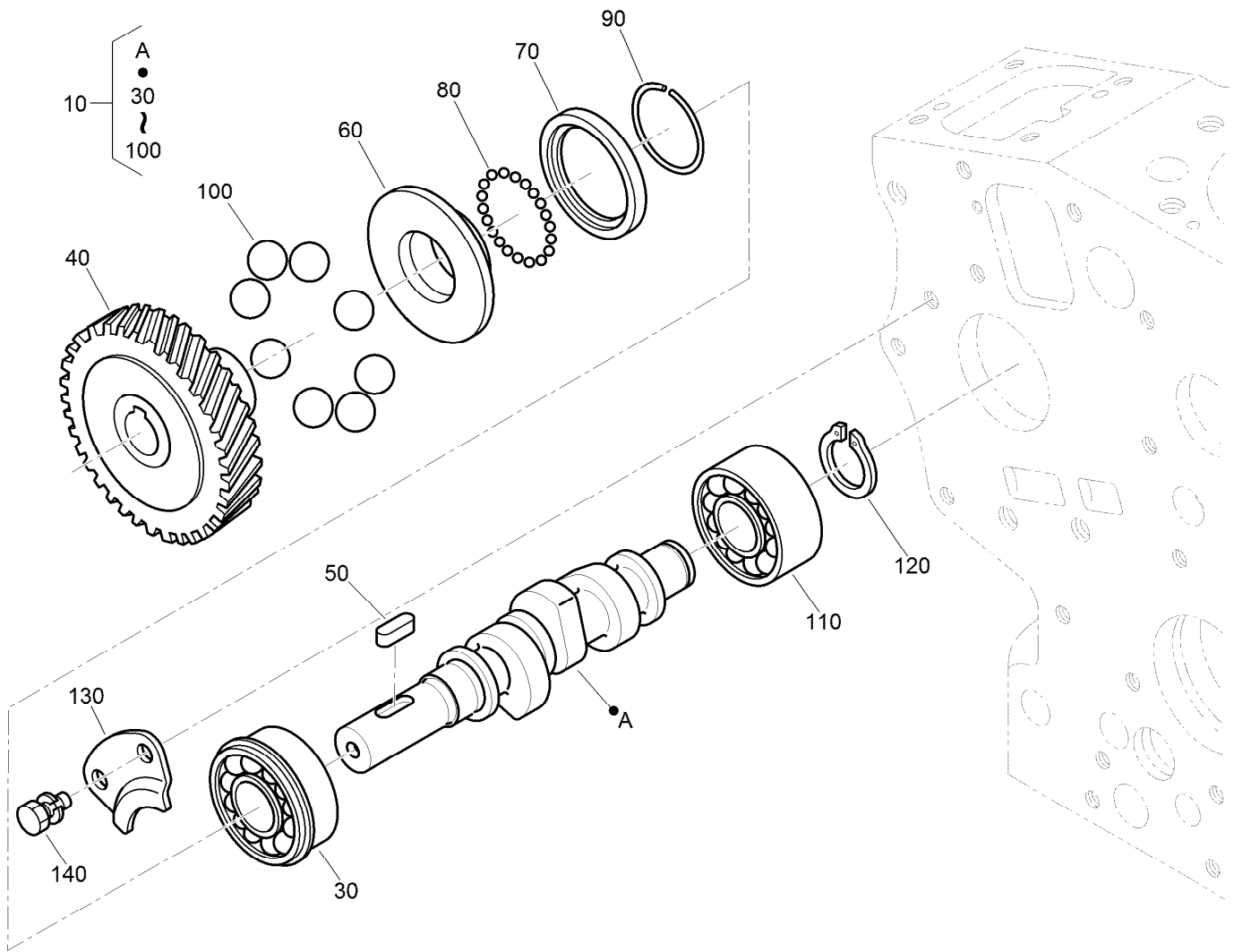
## Camshaft and Idle Gear Shaft Assembly

| Ref. | Part Number | Qty. | Description       |
|------|-------------|------|-------------------|
| 10   | 110-3727    | 6    | Tappet            |
| 20   | 100-1989    | 6    | Rod-Push          |
| 30   | 117-0305    | 1    | Camshaft ASM      |
| 50   | 110-3729    | 1    | Ball              |
| 60   | 130-1534    | 1    | Gear-Cam          |
| 70   | 98-9378     | 1    | Key-Feather       |
| 80   | 100-1887    | 1    | Stopper-Camshaft  |
| 90   | 98-9350     | 2    | Bolt              |
| 100  | 121-2421    | 1    | Idle Gear ASM     |
| 110  | 121-2422    | 1    | Bushing           |
| 120  | 100-1970    | 1    | Collar-Gear, Idle |
| 130  | 100-1969    | 1    | Ring-Snap         |
| 140  | 100-1967    | 1    | Shaft-Gear, Idle  |
| 150  | 100-1774    | 3    | Bolt-Flange       |
| 160  | 100-2240    | 1    | Idle Gear ASM     |



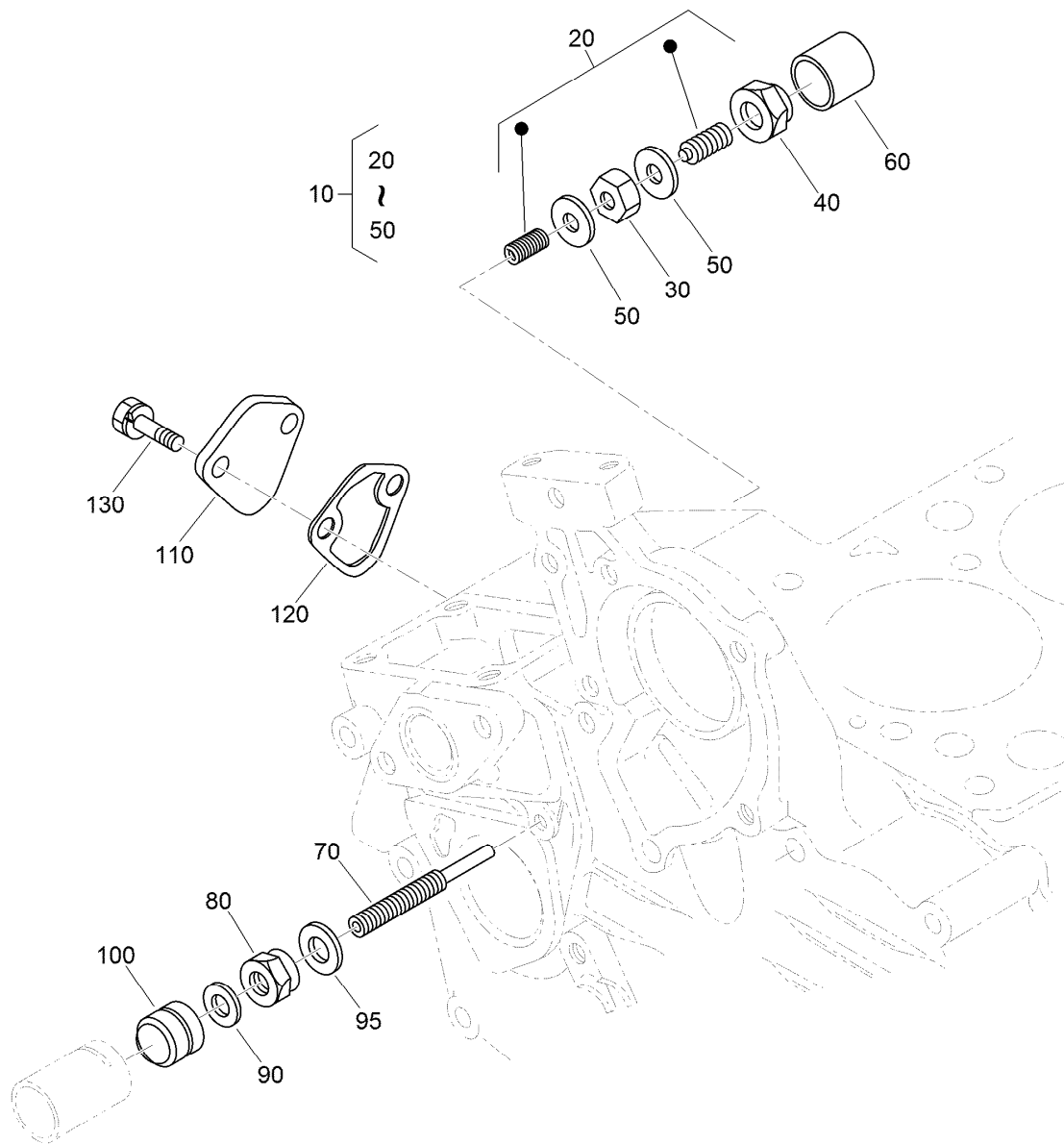
## Piston and Crankshaft Assembly

| <i>Ref.</i> | <i>Part Number</i> | <i>Qty.</i> | <i>Description</i>      | <i>Ref.</i> | <i>Part Number</i> | <i>Qty.</i> | <i>Description</i>        |
|-------------|--------------------|-------------|-------------------------|-------------|--------------------|-------------|---------------------------|
| 10          | 130-1537           | 3           | Piston                  | 80          | 121-2420           | 3           | Metal-Crankpin (-.40MM)   |
| 10          | 130-1540           | 3           | Piston                  | 90          | 117-0308           | 1           | Crankshaft                |
| 20          | 130-1535           | 3           | Piston Ring ASM         | 100         | 100-1791           | 3           | Ball                      |
| 20          | 130-1536           | 3           | Piston Ring ASM         | 120         | 100-1891           | 1           | Gear-Crankshaft           |
| 30          | 110-3734           | 3           | Pin-Piston              | 130         | 100-1752           | 1           | Key-Feather               |
| 40          | 100-1835           | 6           | Circlip-Internal        | 140         | 110-3738           | 1           | Metal-Crankshaft (STD)    |
| 50          | 125-9070           | 3           | Connecting Rod ASM      | 140         | 121-2424           | 1           | Metal-Crankshaft (-.20MM) |
| 60          | 110-3736           | 3           | Bushing-Pin, Piston     | 140         | 121-2425           | 1           | Metal-Crankshaft (-.40MM) |
| 70          | 100-1999           | 6           | Bolt-Rod, Connecting    | 150         | 100-1890           | 1           | Collar-Crankshaft         |
| 80          | 100-2000           | 3           | Metal-Crankpin (STD)    | 160         | 100-1974           | 1           | Slinger-Oil               |
| 80          | 121-3849           | 3           | Metal-Crankpin (-.20MM) | 170         | 100-2209           | 1           | O-Ring                    |



## Fuel Camshaft Assembly

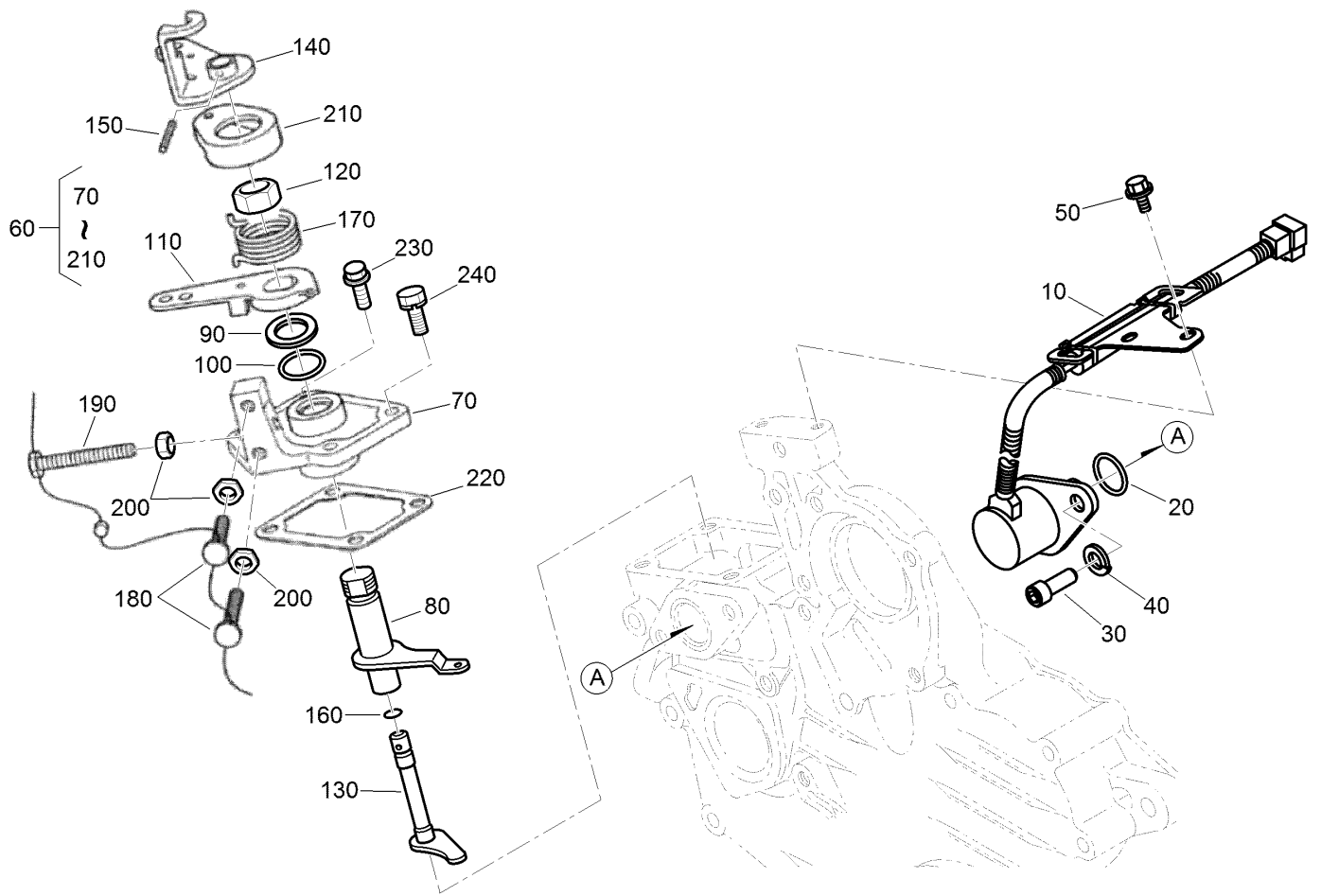
| <i>Ref.</i> | <i>Part Number</i> | <i>Qty.</i> | <i>Description</i>     |
|-------------|--------------------|-------------|------------------------|
| 10          | 125-9075           | 1           | Fuel Camshaft ASM      |
| 30          | 100-1795           | 1           | Bearing-Ball           |
| 40          | 100-2006           | 1           | Gear-Pump, Injection   |
| 50          | 100-1752           | 1           | Key-Feather            |
| 60          | 112-8336           | 1           | Sleeve-Governor        |
| 70          | 100-1904           | 1           | Case-Ball, Governor    |
| 80          | 100-1790           | 32          | Ball                   |
| 90          | 100-1843           | 1           | Circ-Clip              |
| 100         | 100-1793           | 8           | Ball                   |
| 110         | 110-3757           | 1           | Bearing-Ball           |
| 120         | 100-1784           | 1           | Circ-Clip, External    |
| 130         | 100-1888           | 1           | Stopper-Fuel, Camshaft |
| 140         | 98-9350            | 2           | Bolt                   |



## Idle Apparatus and Fuel Pump Cover Assembly

| Ref. | Part Number | Qty. | Description        |
|------|-------------|------|--------------------|
| 10   | 100-1898    | 1    | Idle Apparatus ASM |
| 20   | 100-1899    | 1    | Adjusting Bolt ASM |
| 30   | 100-1846    | 1    | Nut                |
| 40   | 100-1901    | 1    | Nut-Cap            |
| 50   | 98-7428     | 2    | Gasket             |
| 60   | 100-1902    | 1    | Cap                |
| 70   | 110-3758    | 1    | Bolt-Adjusting     |
| 80   | 100-2175    | 1    | Nut-Lock           |
| 90   | 98-7654     | 1    | Gasket             |
| 95   | 107-9081    | 1    | Gasket             |
| 100  | 99-8387     | 1    | Nut-Cap            |
| 110  | 99-3514     | 1    | Cover              |
| 120  | 98-9636     | 1    | Gasket-Pump, Fuel  |
| 130  | 98-7692     | 2    | Bolt               |

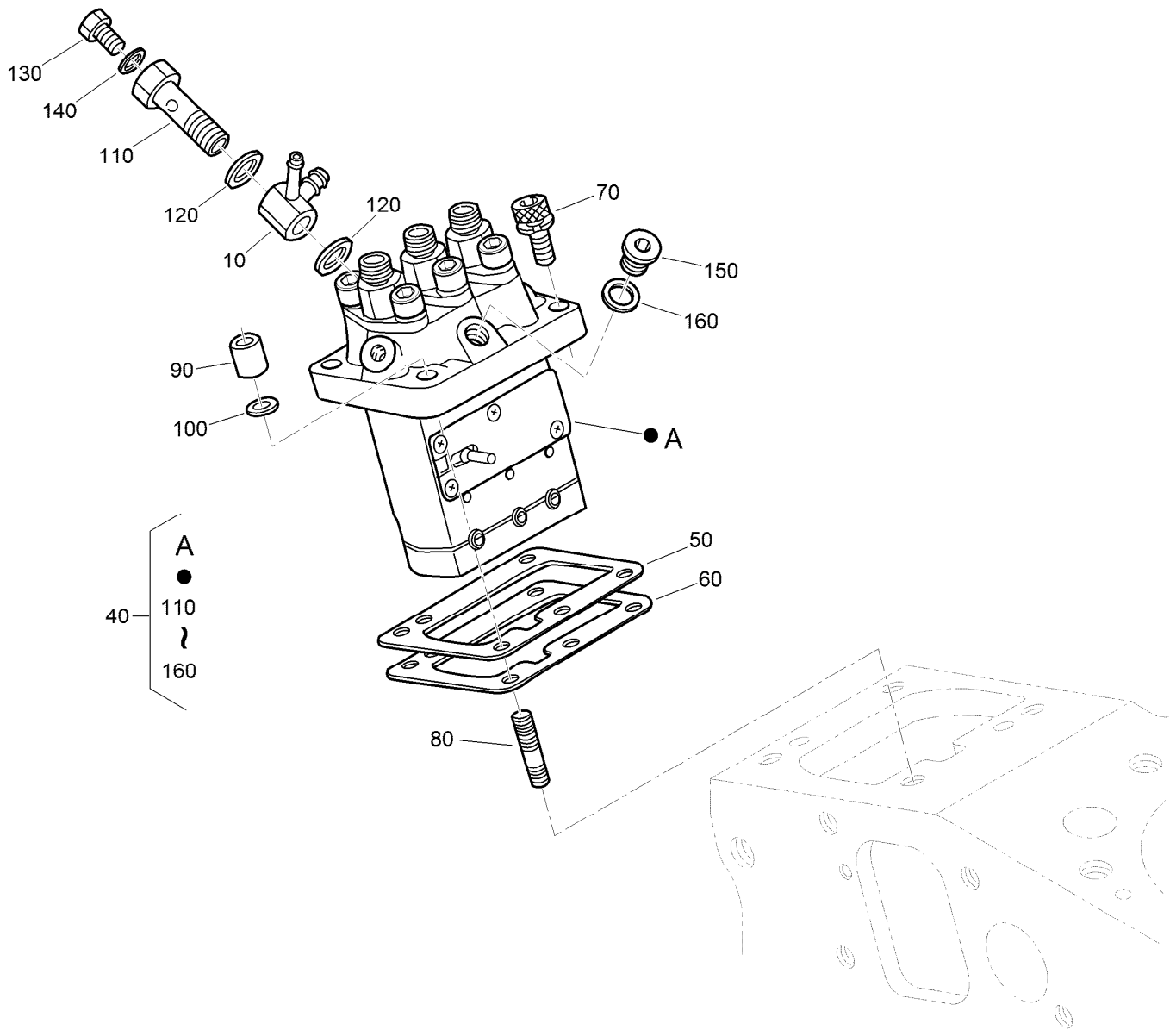




## Stop Solenoid and Speed Control Plate Assembly

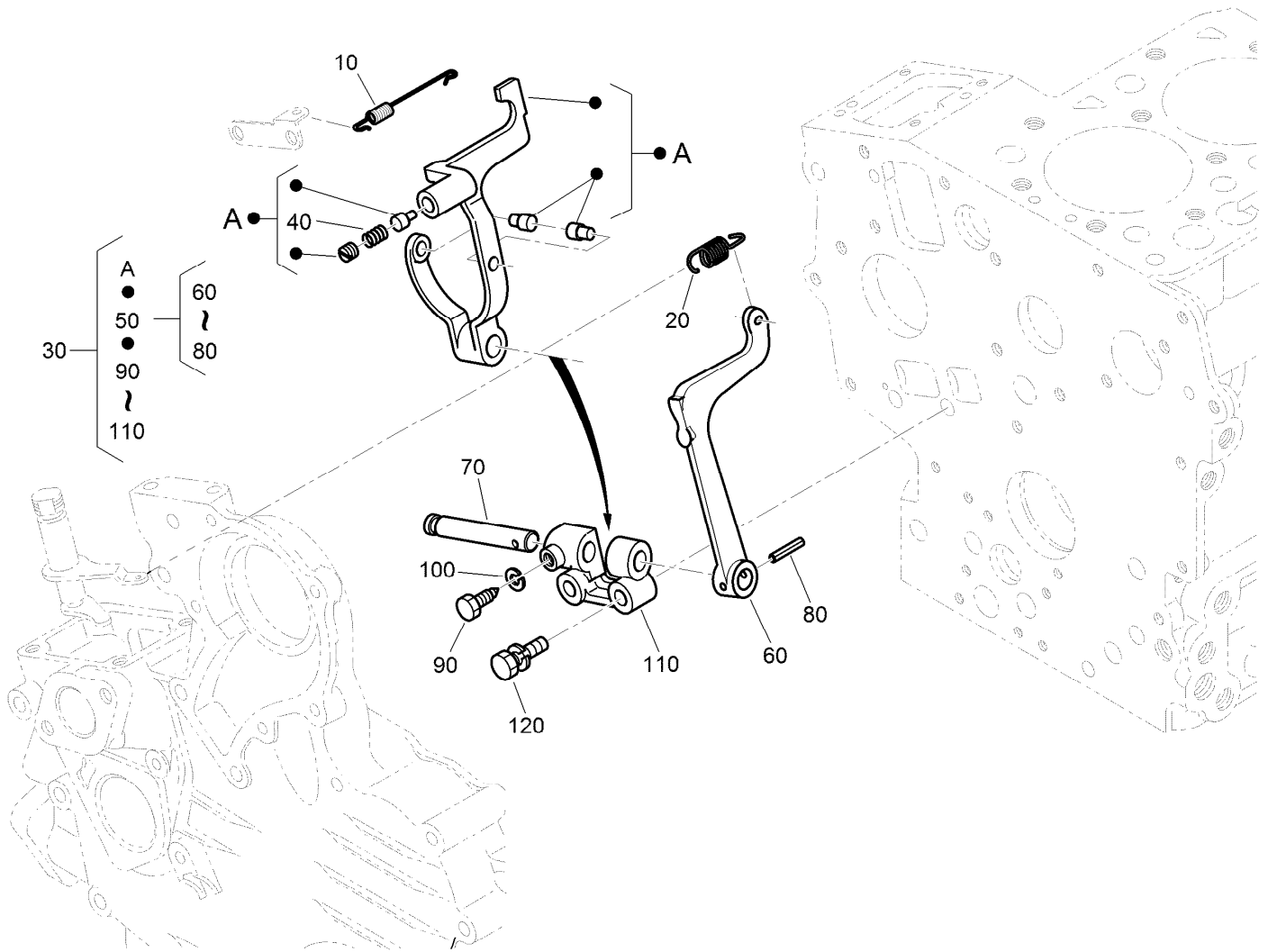
| Ref. | Part Number | Qty. | Description             |
|------|-------------|------|-------------------------|
| 10   | 117-2719    | 1    | Solenoid Stop ASM       |
| 20   | 110-3762    | 1    | O-Ring                  |
| 30   | 110-3763    | 2    | Bolt-HSH                |
| 40   | 98-7699     | 2    | Washer-Spring           |
| 50   | 100-1774    | 2    | Bolt-Flange             |
| 60   | 110-3769    | 1    | Speed Control Plate ASM |
| 70   | 110-3770    | 1    | Plate-Control, Speed    |
| 80   | 110-3771    | 1    | Lever-Governor          |
| 90   | 110-3772    | 1    | Collar                  |
| 100  | 100-2208    | 1    | O-Ring                  |
| 110  | 110-3773    | 1    | Lever-Control, Speed    |
| 120  | 110-3774    | 1    | Nut-Control, Speed      |

| Ref. | Part Number | Qty. | Description           |
|------|-------------|------|-----------------------|
| 130  | 110-3775    | 1    | Shaft-Lever           |
| 140  | 110-3776    | 1    | Lever-Stop, Engine    |
| 150  | 110-3777    | 1    | Pin-Spring            |
| 160  | 100-2207    | 1    | O-Ring                |
| 170  | 110-3778    | 1    | Spring-Return         |
| 180  | 120-3133    | 2    | Screw-Stopper         |
| 190  | 120-3134    | 1    | Bolt                  |
| 200  | 98-7572     | 3    | Nut                   |
| 210  | 110-3779    | 1    | Cap                   |
| 220  | 100-1962    | 1    | Gasket-Plate, Control |
| 230  | 127-0403    | 2    | Bolt-Flange           |
| 240  | 112-2507    | 2    | Bolt                  |



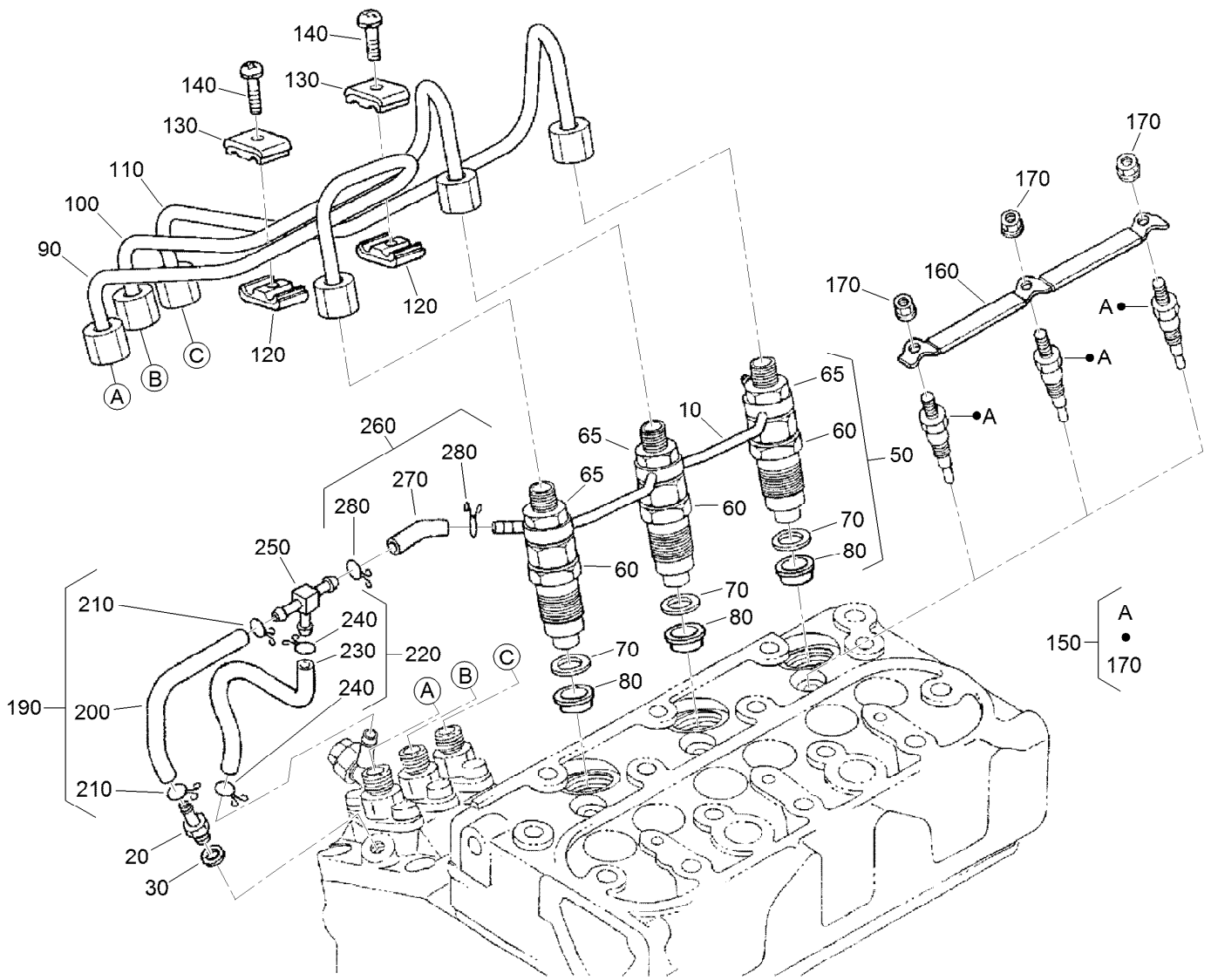
## Injection Pump Assembly

| <i>Ref.</i> | <i>Part Number</i> | <i>Qty.</i> | <i>Description</i>       | <i>Ref.</i> | <i>Part Number</i> | <i>Qty.</i> | <i>Description</i> |
|-------------|--------------------|-------------|--------------------------|-------------|--------------------|-------------|--------------------|
| 10          | 110-3764           | 1           | Joint                    | 90          | 98-9440            | 2           | Nut-Cap            |
| 40          | 110-3765           | 1           | Injection Pump ASM       | 100         | 98-7699            | 2           | Washer-Spring      |
| 50          | 115-3045           | 1           | Shim-Injection (0.175MM) | 110         | 100-1896           | 1           | Screw-Hollow       |
| 50          | 98-9456            | 1           | Shim-Injection (0.20MM)  | 120         | 98-9445            | 2           | Gasket             |
| 50          | 98-9457            | 1           | Shim-Injection (0.25MM)  | 130         | 98-9430            | 1           | Screw              |
| 60          | 98-9458            | 1           | Shim-Injection (0.30MM)  | 140         | 98-9446            | 1           | Gasket             |
| 60          | 115-3046           | 1           | Shim-Injection (0.35MM)  | 150         | 98-9466            | 1           | Plug               |
| 70          | 117-7564           | 2           | Bolt-Hex Soc HD          | 160         | 98-9451            | 1           | Gasket             |
| 80          | 98-9438            | 2           | Stud                     |             |                    |             |                    |



## Governor Assembly

| Ref. | Part Number | Qty. | Description         |
|------|-------------|------|---------------------|
| 10   | 110-3766    | 1    | Spring-Start        |
| 20   | 110-3767    | 1    | Spring-Governor     |
| 30   | 130-1368    | 1    | Fork Lever ASM      |
| 40   | 117-0313    | 1    | Spring              |
| 50   | 100-1905    | 1    | Fork Lever ASM      |
| 60   | 100-1907    | 1    | Lever-Fork          |
| 70   | 100-1908    | 1    | Shaft-Lever, Fork   |
| 80   | 100-1751    | 1    | Pin-Spring          |
| 90   | 100-1845    | 1    | Bolt                |
| 100  | 127-0408    | 1    | Washer-Lock, Spring |
| 110  | 100-1909    | 1    | Holder-Lever, Fork  |
| 120  | 100-1763    | 2    | Bolt                |



## Nozzle Holder and Glow Plug Assembly

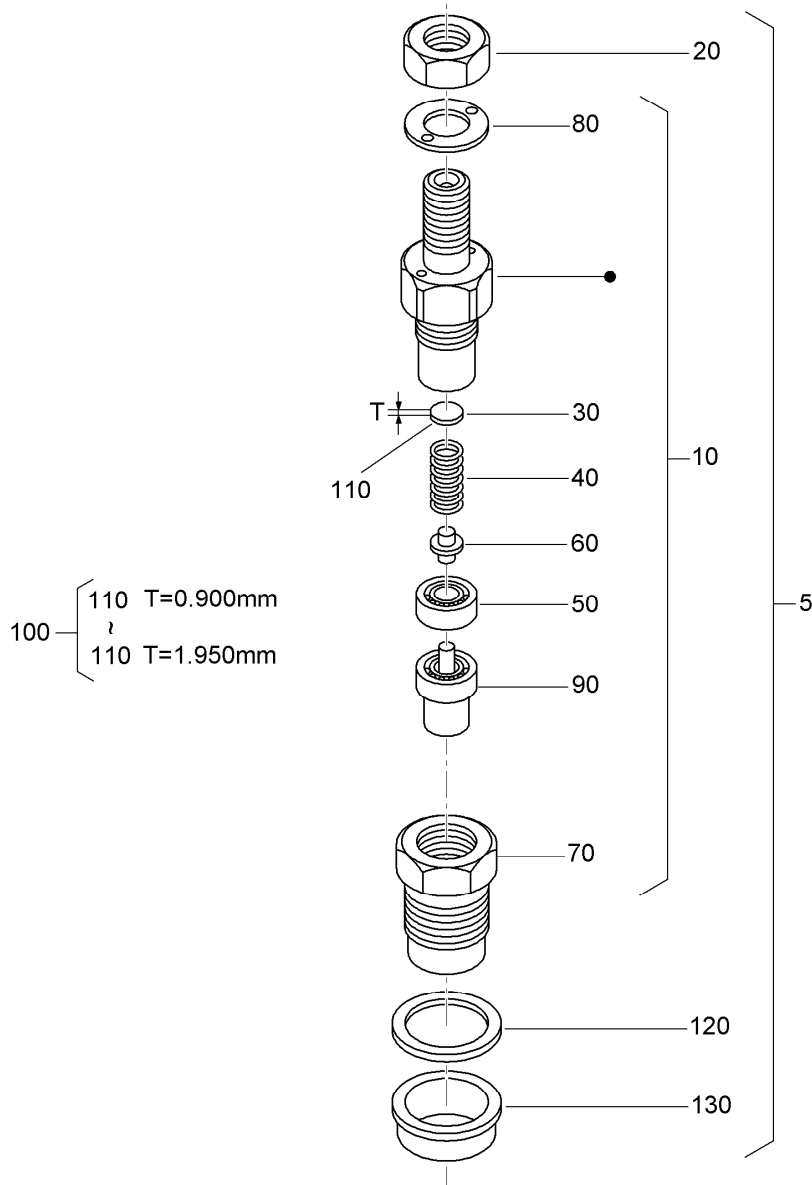
| Ref. | Part Number | Qty. | Description        |
|------|-------------|------|--------------------|
| 10   | 110-3780    | 1    | Over Flow Pipe ASM |
| 20   | 98-9431     | 1    | Screw-Bleeder, Air |
| 30   | 98-7654     | 1    | Gasket             |
| 50   | 130-1305    | 3    | Nozzle Holder Kit  |
| 60   | 130-1303    | 3    | Nozzle Holder ASM  |
| 65   | 121-2411    | 3    | Nut                |
| 70   | 98-7676     | 3    | Gasket             |
| 80   | 98-7677     | 3    | Seal-Heat          |
| 90   | 130-1522    | 1    | Pipe-Injection     |
| 100  | 130-1523    | 1    | Pipe-Injection     |
| 110  | 130-1541    | 1    | Pipe-Injection     |
| 120  | 98-7682     | 2    | Clamp-Pipe         |
| 130  | 98-7683     | 2    | Clamp-Pipe         |
| 140  | 98-7684     | 2    | Screw (W/Washer)   |

| Ref. | Part Number | Qty. | Description     |
|------|-------------|------|-----------------|
| 150  | 130-1411    | 3    | Plug-Glow       |
| 160  | 110-3784    | 1    | Cord-Plug, Glow |
| 170  | 99-8377     | 3    | Nut-Flange      |
| 190  | 110-3785    | 1    | Fuel Tube ASM   |
| 200  | 110-3786    | 1    | Tube-Fuel       |
| 210  | 98-7671     | 2    | Clip-Pipe       |
| 220  | 110-3787    | 1    | Fuel Tube ASM   |
| 230  | 110-3788    | 1    | Tube-Fuel       |
| 240  | 98-7671     | 2    | Clip-Pipe       |
| 250  | 112-8338    | 1    | Pipe-Joint, T   |
| 260  | 110-3790    | 1    | Fuel Tube ASM   |
| 270  | 110-3791    | 1    | Tube-Fuel       |
| 280  | 98-7671     | 2    | Clip-Pipe       |



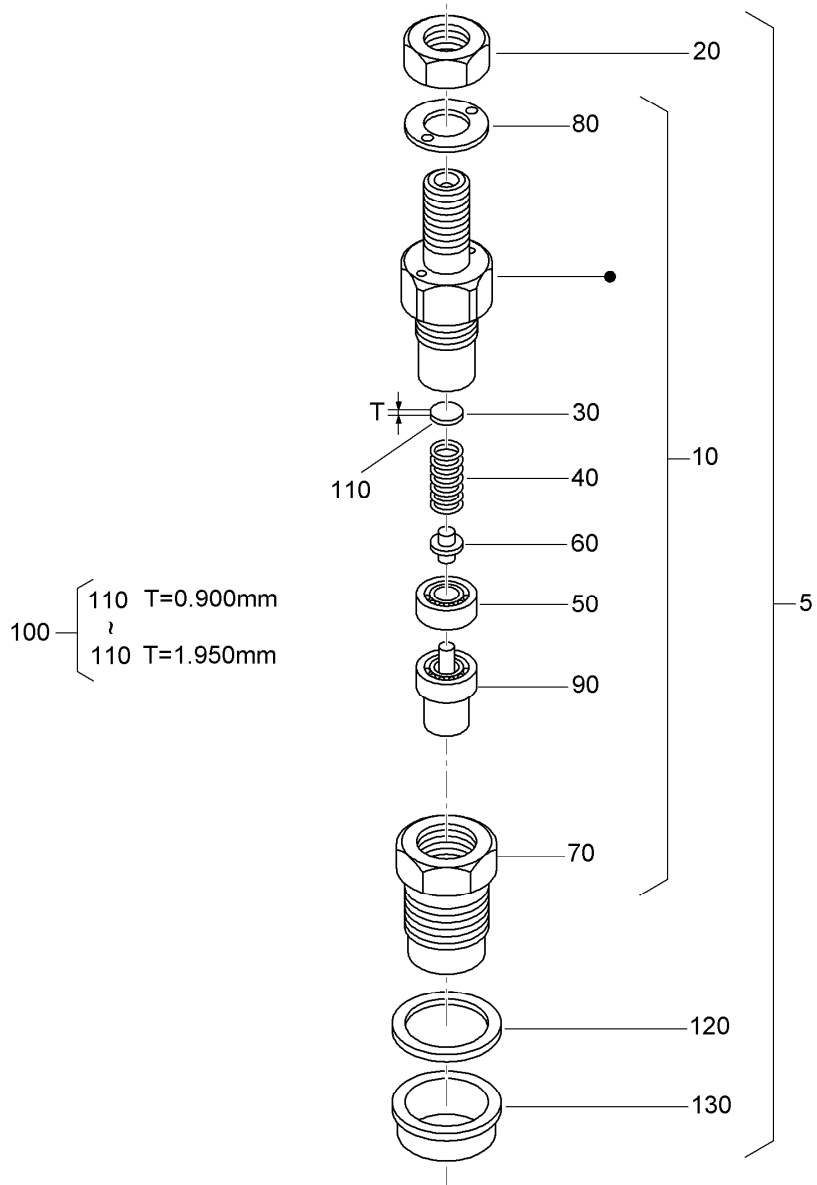
## Nozzle Holder Assembly

| Ref. | Part Number | Qty. | Description                | Ref. | Part Number | Qty. | Description                |
|------|-------------|------|----------------------------|------|-------------|------|----------------------------|
| 5    | 130-1305    | 3    | Nozzle Holder Kit          | 110  | 98-7845     | 3    | Washer-Adjusting (1.025Mm) |
| 10   | 130-1303    | 3    | Nozzle Holder ASM          | 110  | 98-7846     | 3    | Washer-Adjusting (1.050Mm) |
| 20   | 121-2411    | 3    | Nut                        | 110  | 98-7847     | 3    | Washer-Adjusting (1.075MM) |
| 30   | 99-8302     | 3    | Washer-Adjusting           | 110  | 98-7848     | 3    | Washer-Adjusting (1.100MM) |
| 40   | 99-8303     | 3    | Spring-Nozzle              | 110  | 98-7849     | 3    | Washer-Adjusting (1.125MM) |
| 50   | 99-8304     | 3    | Spacer-Distance            | 110  | 98-7850     | 3    | Washer-Adjusting (1.150MM) |
| 60   | 99-8305     | 3    | Rod-Push                   | 110  | 98-7851     | 3    | Washer-Adjusting (1.175MM) |
| 70   | 130-1304    | 3    | Nut-Nozzle                 | 110  | 98-7852     | 3    | Washer-Adjusting (1.200MM) |
| 80   | 99-8307     | 3    | Washer-Plain               | 110  | 98-7853     | 3    | Washer-Adjusting (1.225MM) |
| 90   | 130-1497    | 3    | Nozzle-Piece               | 110  | 98-7854     | 3    | Washer-Adjusting (1.250MM) |
| 100  | 98-9448     | 3    | Adjusting Washer ASM       |      |             |      |                            |
| 110  | 98-7642     | 3    | Washer-Adjusting (0.900Mm) |      |             |      |                            |
| 110  | 98-7841     | 3    | Washer-Adjusting (0.925Mm) |      |             |      |                            |
| 110  | 98-7842     | 3    | Washer-Adjusting (0.950Mm) |      |             |      |                            |
| 110  | 98-7843     | 3    | Washer-Adjusting (0.975Mm) |      |             |      |                            |
| 110  | 98-7844     | 3    | Washer-Adjusting (1.000Mm) |      |             |      |                            |



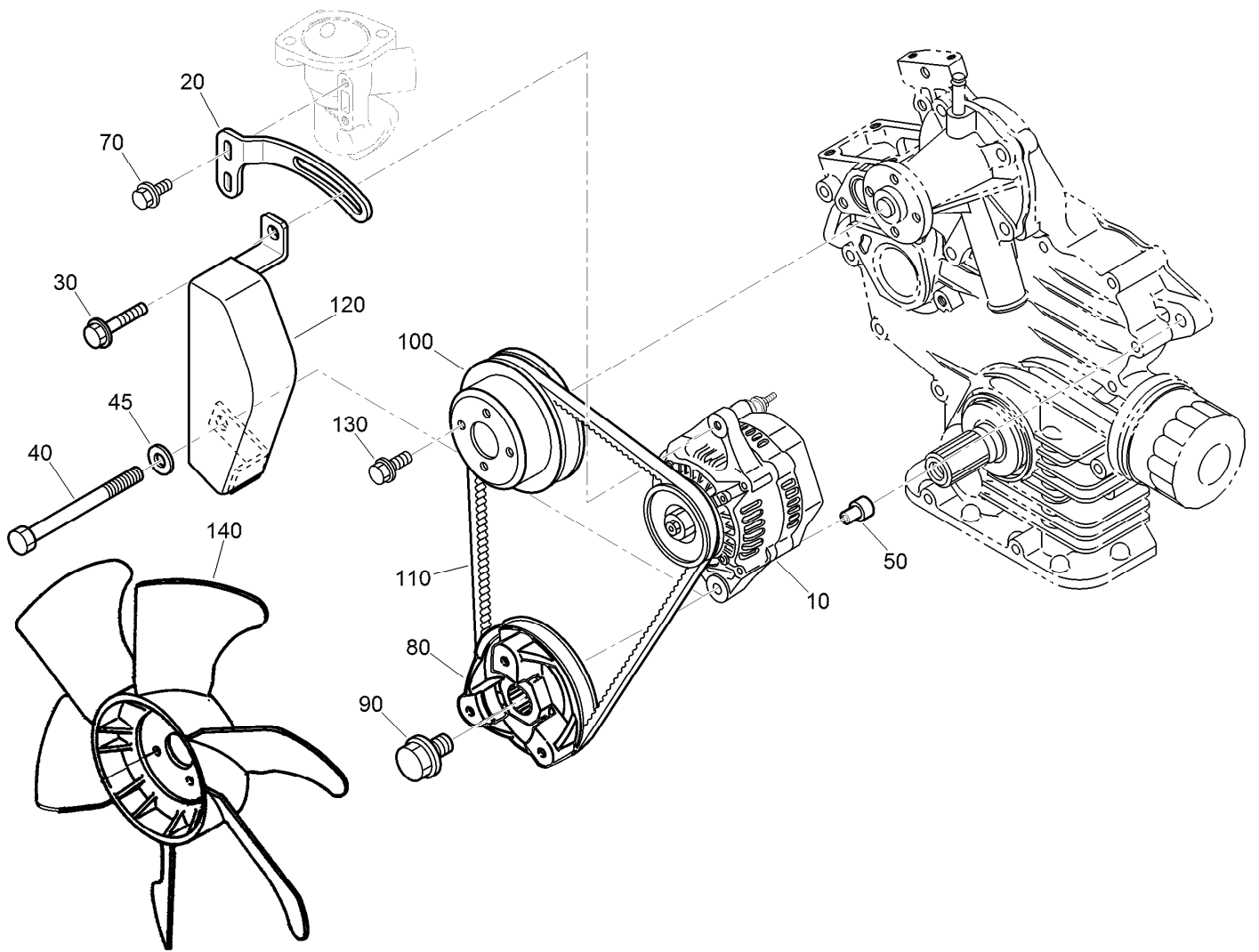
## Nozzle Holder Assembly (continued)

| <i>Ref.</i> | <i>Part Number</i> | <i>Qty.</i> | <i>Description</i>            | <i>Ref.</i> | <i>Part Number</i> | <i>Qty.</i> | <i>Description</i>            |
|-------------|--------------------|-------------|-------------------------------|-------------|--------------------|-------------|-------------------------------|
| 110         | 98-7855            | 3           | Washer-Adjusting<br>(1.275MM) | 110         | 98-7865            | 3           | Washer-Adjusting<br>(1.525MM) |
| 110         | 98-7856            | 3           | Washer-Adjusting<br>(1.300MM) | 110         | 98-7866            | 3           | Washer-Adjusting<br>(1.550MM) |
| 110         | 98-7857            | 3           | Washer-Adjusting<br>(1.325MM) | 110         | 98-7867            | 3           | Washer-Adjusting<br>(1.575MM) |
| 110         | 98-7858            | 3           | Washer-Adjusting<br>(1.350MM) | 110         | 98-7868            | 3           | Washer-Adjusting<br>(1.600MM) |
| 110         | 98-7859            | 3           | Washer-Adjusting<br>(1.375MM) | 110         | 98-7869            | 3           | Washer-Adjusting<br>(1.625MM) |
| 110         | 98-7860            | 3           | Washer-Adjusting<br>(1.400MM) | 110         | 98-7870            | 3           | Washer-Adjusting<br>(1.650MM) |
| 110         | 98-7861            | 3           | Washer-Adjusting<br>(1.425MM) | 110         | 98-7871            | 3           | Washer-Adjusting<br>(1.675MM) |
| 110         | 98-7862            | 3           | Washer-Adjusting<br>(1.450MM) | 110         | 98-7872            | 3           | Washer-Adjusting<br>(1.700MM) |
| 110         | 98-7863            | 3           | Washer-Adjusting<br>(1.475MM) | 110         | 98-7873            | 3           | Washer-Adjusting<br>(1.725MM) |
| 110         | 98-7864            | 3           | Washer-Adjusting<br>(1.500MM) | 110         | 98-7874            | 3           | Washer-Adjusting<br>(1.750MM) |



## Nozzle Holder Assembly (continued)

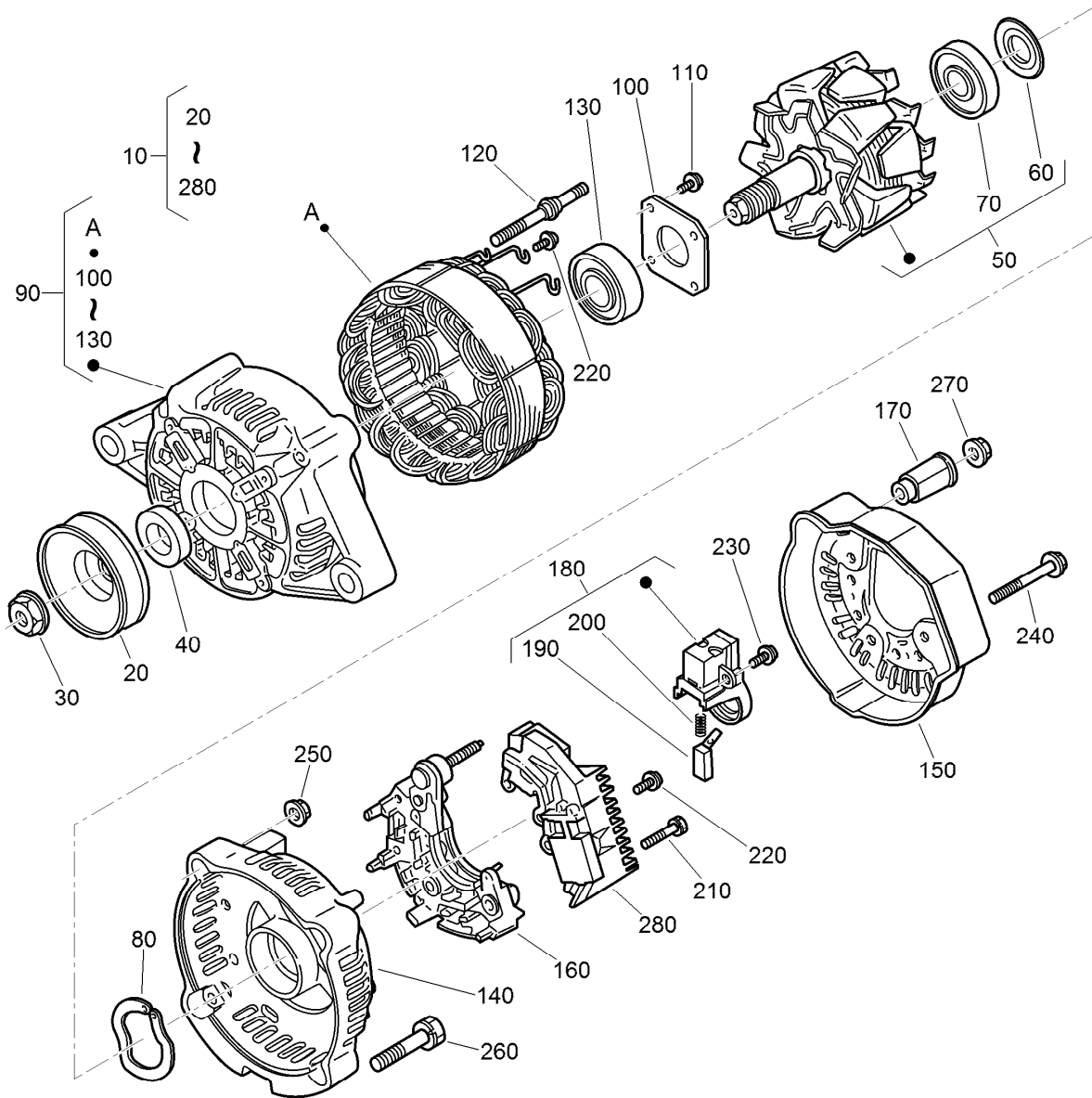
| <i>Ref.</i> | <i>Part Number</i> | <i>Qty.</i> | <i>Description</i>            | <i>Ref.</i> | <i>Part Number</i> | <i>Qty.</i> | <i>Description</i>            |
|-------------|--------------------|-------------|-------------------------------|-------------|--------------------|-------------|-------------------------------|
| 110         | 98-7875            | 3           | Washer-Adjusting<br>(1.775MM) | 110         | 98-7880            | 3           | Washer-Adjusting<br>(1.900MM) |
| 110         | 98-7876            | 3           | Washer-Adjusting<br>(1.800MM) | 110         | 98-7881            | 3           | Washer-Adjusting<br>(1.925MM) |
| 110         | 98-7877            | 3           | Washer-Adjusting<br>(1.825MM) | 110         | 98-7882            | 3           | Washer-Adjusting<br>(1.950MM) |
| 110         | 98-7878            | 3           | Washer-Adjusting<br>(1.850MM) | 120         | 98-7676            | 3           | Gasket                        |
| 110         | 98-7879            | 3           | Washer-Adjusting<br>(1.875MM) | 130         | 98-7677            | 3           | Seal-Heat                     |



## Alternator, Pulley and Fan Assembly

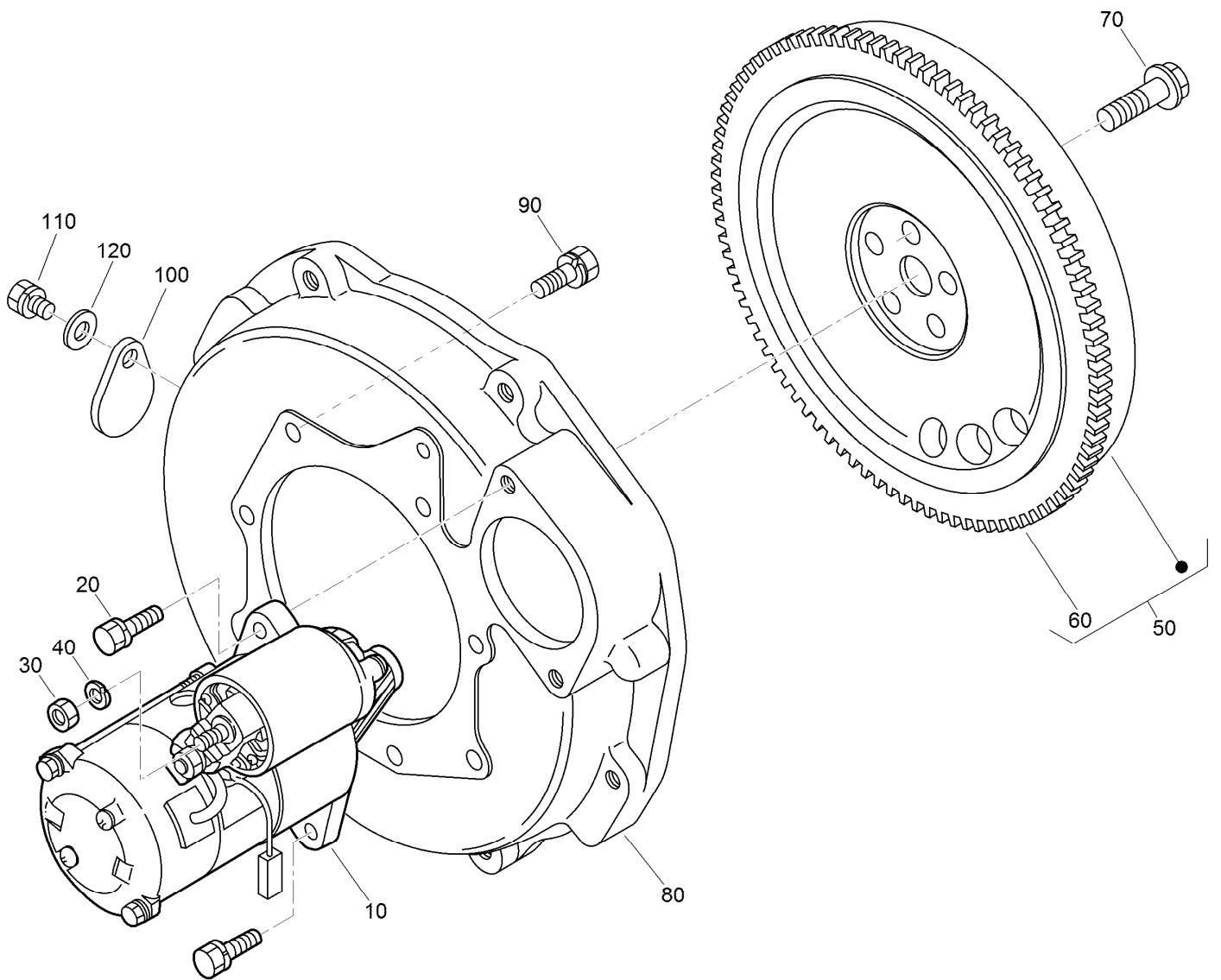
| <i>Ref.</i> | <i>Part Number</i> | <i>Qty.</i> | <i>Description</i> |
|-------------|--------------------|-------------|--------------------|
| 10          | 98-9474            | 1           | Alternator ASM     |
| 20          | 110-3792           | 1           | Stay-Alternator    |
| 30          | 121-3800           | 1           | Bolt-Sems          |
| 40          | 98-7556            | 1           | Bolt               |
| 45          | 120-5832           | 1           | Washer-Plain       |
| 50          | 110-3794           | 1           | Collar             |
| 70          | 98-7692            | 2           | Bolt               |
| 80          | 112-2510           | 1           | Pulley-Drive, Fan  |
| 90          | 100-1978           | 1           | Bolt               |
| 100         | 100-1921           | 1           | Pulley-Fan         |
| 110         | 112-2511           | 1           | Belt               |
| 120         | 110-3797           | 1           | Cover              |
| 130         | 99-8363            | 4           | Bolt-Flange        |
| 140         | 112-2513           | 1           | Fan                |





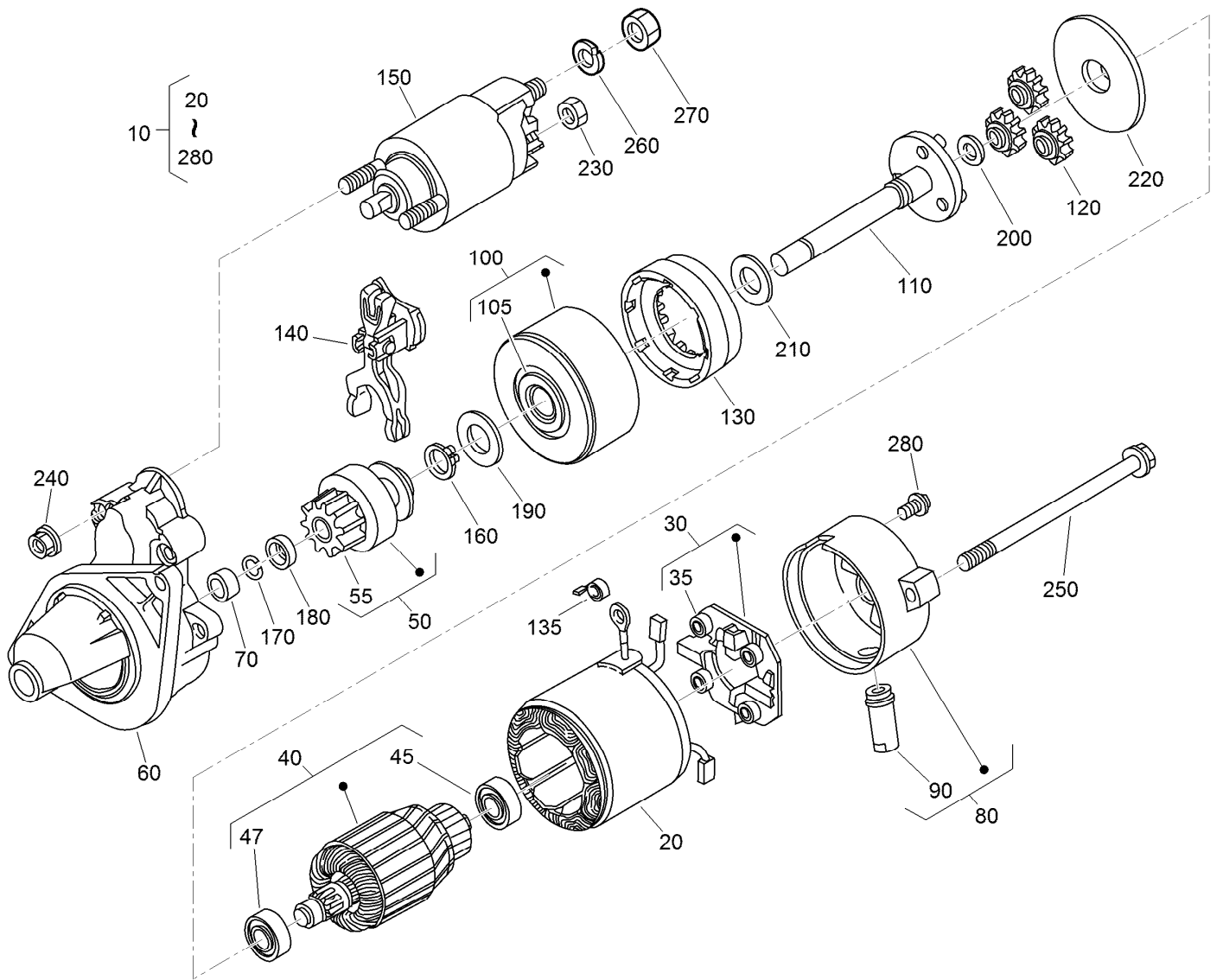
## Alternator Components Assembly

| Ref. | Part Number | Qty. | Description         | Ref. | Part Number | Qty. | Description        |
|------|-------------|------|---------------------|------|-------------|------|--------------------|
| 10   | 98-9474     | 1    | Alternator ASM      | 150  | 107-0140    | 1    | Cover-End          |
| 20   | 98-9453     | 1    | Pulley-Dynamo       | 160  | 127-1612    | 1    | Rectifier ASM      |
| 30   | 98-7708     | 1    | Nut                 | 170  | 98-7722     | 1    | Bushing-Insulation |
| 40   | 98-7709     | 1    | Collar              | 180  | 107-0141    | 1    | Brush Holder ASM   |
| 50   | 107-0136    | 1    | Rotor ASM           | 190  | 98-7724     | 2    | Brush              |
| 60   | 98-7711     | 1    | Cover-Bearing       | 200  | 98-7725     | 2    | Spring-Brush       |
| 70   | 107-0138    | 1    | Bearing-Ball        | 210  | 98-7726     | 2    | Screw-Head, Round  |
| 80   | 98-7713     | 1    | Washer-Thrust       | 220  | 98-7727     | 6    | Screw-Head, Round  |
| 90   | 107-0139    | 1    | Drive End Frame ASM | 230  | 98-7728     | 1    | Screw-Head, Round  |
| 100  | 98-7715     | 1    | Plate-Retainer      | 240  | 98-7729     | 3    | Bolt               |
| 110  | 98-7716     | 4    | Screw-Head, Round   | 250  | 98-7730     | 2    | Nut                |
| 120  | 98-7717     | 2    | Bolt-Through        | 260  | 98-7731     | 2    | Bolt               |
| 130  | 133-2811    | 1    | Bearing             | 270  | 98-7732     | 1    | Nut                |
| 140  | 107-9087    | 1    | Frame-End           | 280  | 110-3799    | 1    | Regulator ASM      |



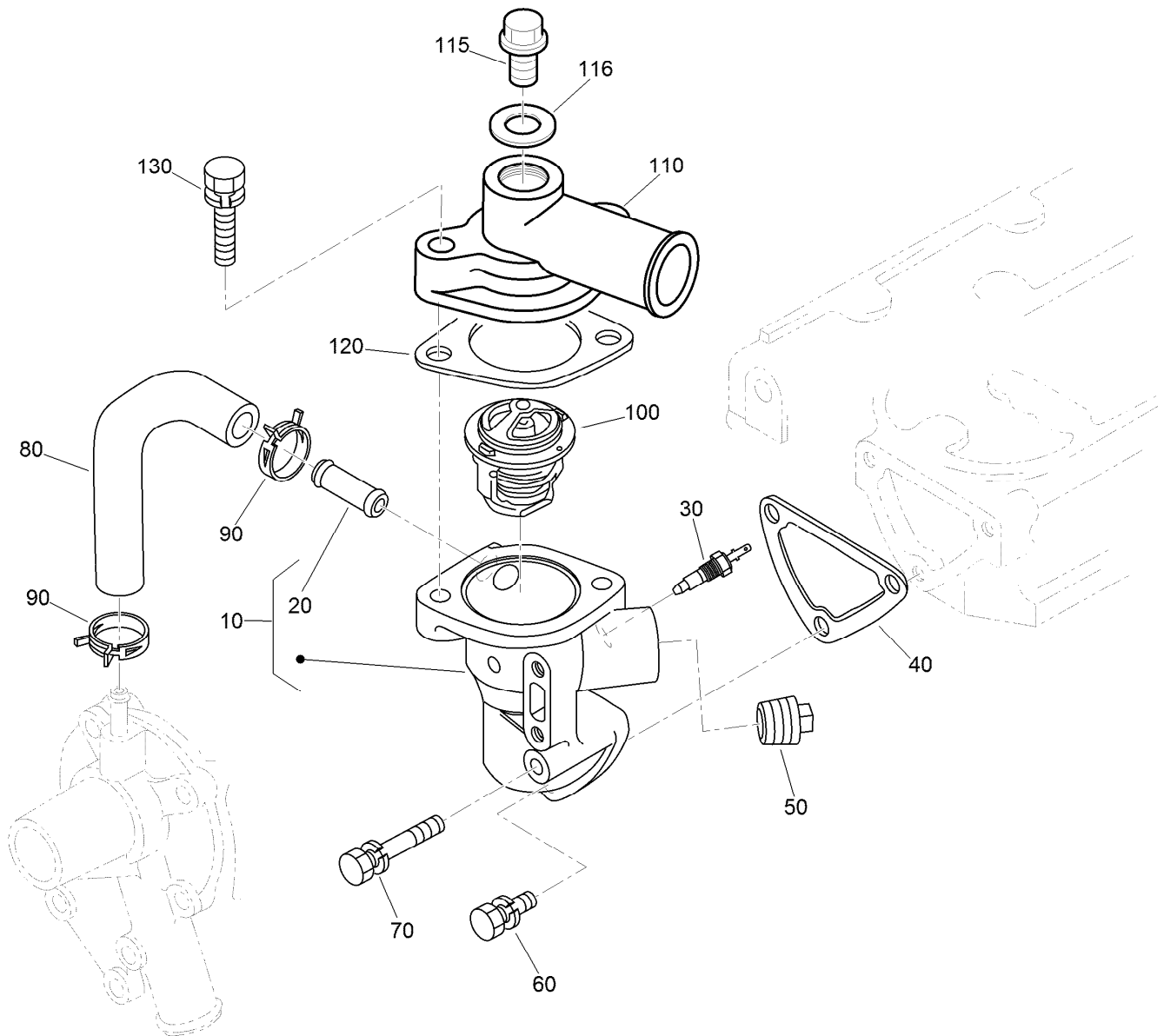
## Starter and Flywheel Assembly

| Ref. | Part Number | Qty. | Description      |
|------|-------------|------|------------------|
| 10   | 100-2179    | 1    | Starter ASM      |
| 20   | 98-7438     | 2    | Bolt             |
| 30   | 98-7534     | 1    | Nut              |
| 40   | 105-2893    | 1    | Washer-Spring    |
| 50   | 130-1496    | 1    | Flywheel ASM     |
| 60   | 127-1604    | 1    | Gear-Ring        |
| 70   | 100-1930    | 5    | Bolt-Flywheel    |
| 80   | 117-1703    | 1    | Housing-Flywheel |
| 90   | 98-9359     | 8    | Bolt             |
| 100  | 100-2177    | 1    | Cover            |
| 110  | 100-9195    | 1    | Bolt             |
| 120  | 120-5832    | 1    | Washer-Plain     |



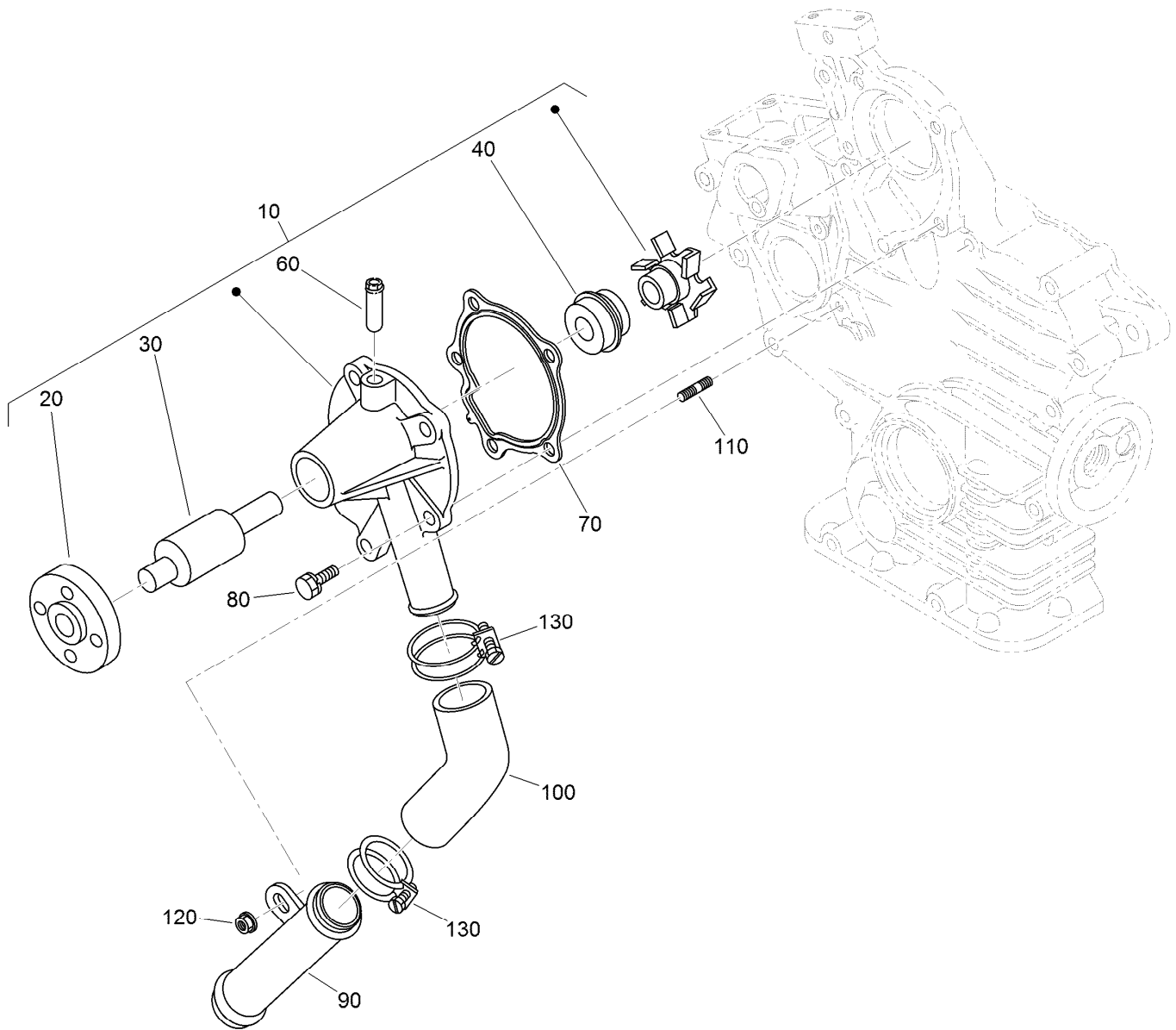
## Starter Component Assembly

| Ref. | Part Number | Qty. | Description         | Ref. | Part Number | Qty. | Description         |
|------|-------------|------|---------------------|------|-------------|------|---------------------|
| 10   | 100-2179    | 1    | Starter ASM         | 130  | 100-2221    | 1    | Gear                |
| 20   | 100-2181    | 1    | Starter Yoke ASM    | 135  | 98-7750     | 4    | Spring-Brush        |
| 30   | 100-2222    | 1    | Holder ASM          | 140  | 100-2218    | 1    | Lever               |
| 35   | 127-0415    | 4    | Spring-Brush        | 150  | 100-2211    | 1    | Magnetic Switch ASM |
| 40   | 100-2182    | 1    | Armature ASM        | 160  | 100-2219    | 1    | Ring-Snap           |
| 45   | 98-9412     | 1    | Bearing-Ball        | 170  | 100-2212    | 1    | Ring-Snap           |
| 47   | 98-9411     | 1    | Bearing-Ball        | 180  | 100-2216    | 1    | Collar              |
| 50   | 100-2185    | 1    | Starter Clutch ASM  | 190  | 100-2224    | 1    | Washer-Plain        |
| 55   | 112-2833    | 1    | Gear-Pinion         | 200  | 100-2225    | 1    | Washer-Plain        |
| 60   | 100-2180    | 1    | Starter Housing ASM | 210  | 100-2226    | 1    | Washer-Plain        |
| 70   | 100-2183    | 1    | Bearing             | 220  | 100-2227    | 1    | Plate               |
| 80   | 100-2186    | 1    | Frame ASM           | 230  | 99-8371     | 1    | Nut-Hex             |
| 90   | 100-2213    | 1    | Cover               | 240  | 100-1813    | 2    | Nut                 |
| 100  | 100-2223    | 1    | Bearing ASM         | 250  | 100-2210    | 2    | Bolt-Through        |
| 105  | 127-0414    | 1    | Bearing             | 260  | 100-2215    | 1    | Washer-Spring       |
| 110  | 100-2187    | 1    | Starter Shaft ASM   | 270  | 100-2171    | 1    | Nut-Hex             |
| 120  | 100-2220    | 3    | Gear                | 280  | 100-2188    | 2    | Screw               |



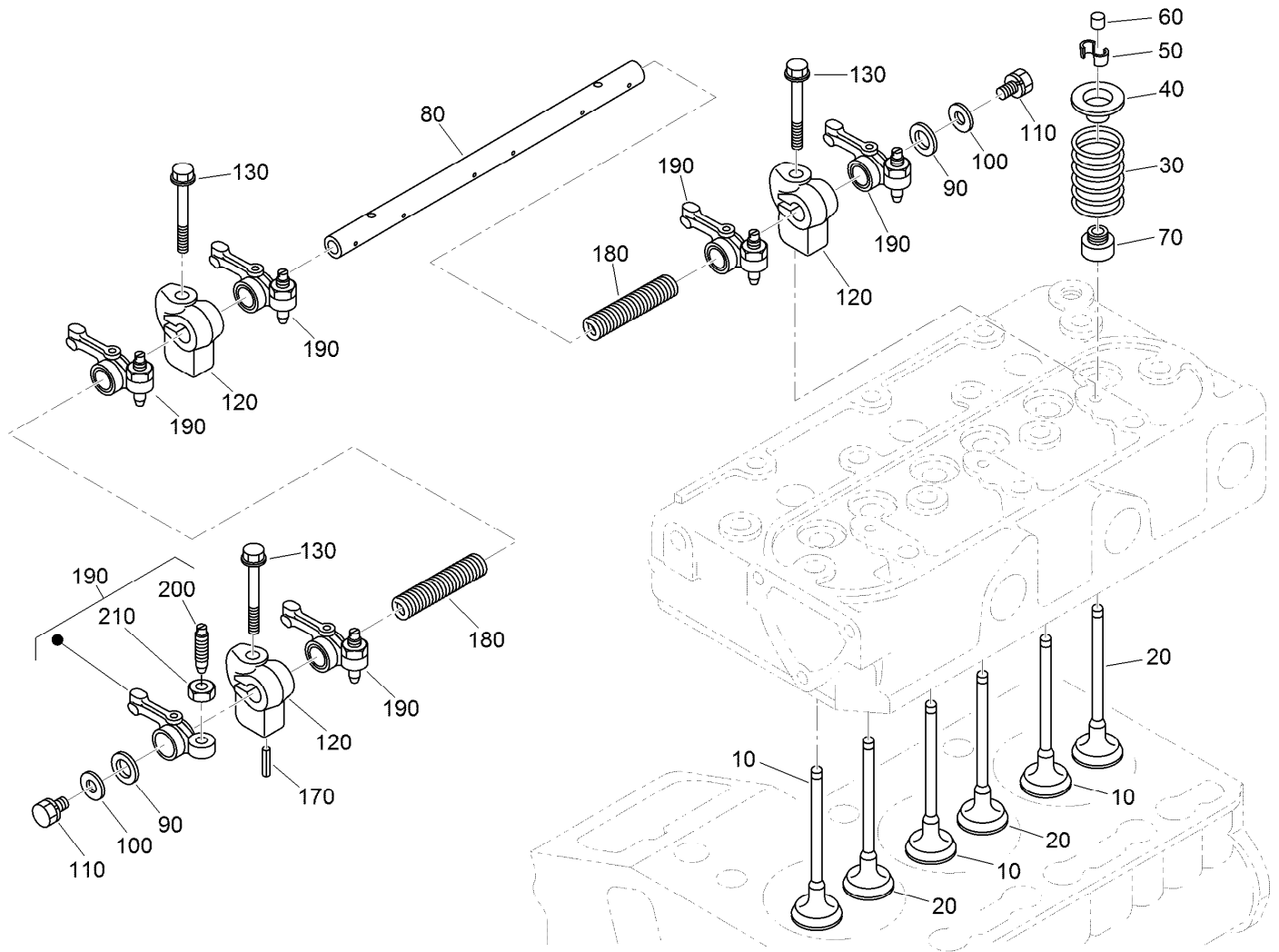
## Water Flange and Thermostat Assembly

| <i>Ref.</i> | <i>Part Number</i> | <i>Qty.</i> | <i>Description</i>   |
|-------------|--------------------|-------------|----------------------|
| 10          | 110-3819           | 1           | Water Flange ASM     |
| 20          | 98-9580            | 1           | Pipe-Return, Water   |
| 30          | 99-3582            | 1           | Thermoswitch         |
| 40          | 110-3820           | 1           | Gasket-Flange, Water |
| 50          | 110-3821           | 1           | Plug                 |
| 60          | 98-7692            | 2           | Bolt                 |
| 70          | 125-9063           | 1           | Bolt-Sems            |
| 80          | 110-3822           | 1           | Pipe-Return, Water   |
| 90          | 125-9078           | 2           | Clamp-Hose           |
| 100         | 98-7778            | 1           | Thermostat ASM       |
| 110         | 112-2512           | 1           | Cover-Thermostat     |
| 115         | 105-3747           | 1           | Plug                 |
| 116         | 99-3583            | 1           | Gasket               |
| 120         | 105-3748           | 1           | Gasket-Thermostat    |
| 130         | 98-7777            | 2           | Bolt                 |



## Water Pump and Water Pipe Assembly

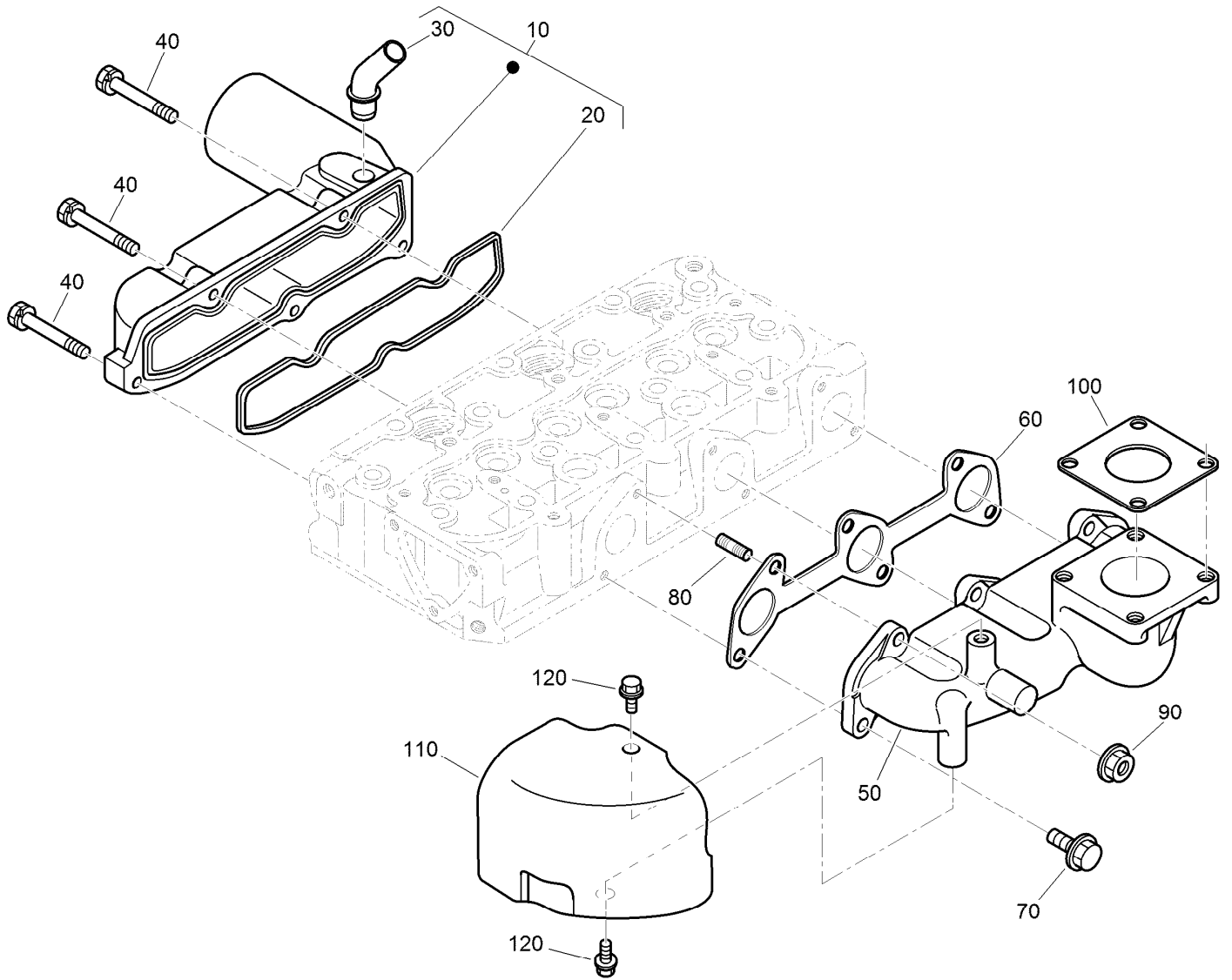
| <i>Ref.</i> | <i>Part Number</i> | <i>Qty.</i> | <i>Description</i>  |
|-------------|--------------------|-------------|---------------------|
| 10          | 110-3824           | 1           | Water Pump ASM      |
| 20          | 125-9081           | 1           | Flange-Pump, Water  |
| 30          | 100-1934           | 1           | Bearing-Ball        |
| 40          | 99-3518            | 1           | Water Pump Seal ASM |
| 60          | 100-1932           | 1           | Pipe-Return, Water  |
| 70          | 117-0330           | 1           | Gasket-Pump, Water  |
| 80          | 100-1750           | 4           | Bolt                |
| 90          | 100-1918           | 1           | Pipe-Water          |
| 100         | 110-3827           | 1           | Pipe-Water          |
| 110         | 100-1924           | 1           | Stud                |
| 120         | 100-2203           | 1           | Nut-Flange          |
| 130         | 110-3828           | 2           | Band-Pipe           |



## Valve and Rocker Arm Assembly

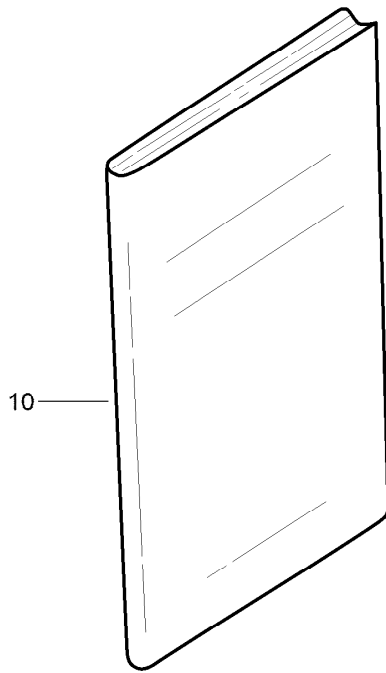
| Ref. | Part Number | Qty. | Description            |
|------|-------------|------|------------------------|
| 10   | 112-2514    | 3    | Valve-Inlet            |
| 20   | 112-2515    | 3    | Valve-Exhaust          |
| 30   | 100-1823    | 6    | Spring-Valve           |
| 40   | 100-1825    | 6    | Retainer-Spring, Valve |
| 50   | 120-3136    | 6    | Collet-Spring, Valve   |
| 60   | 100-2155    | 6    | Cap-Valve              |
| 70   | 100-1797    | 6    | Seal-Stem, Valve       |
| 80   | 112-8341    | 1    | Shaft-Arm, Rocker      |
| 90   | 100-2044    | 2    | Washer                 |

| Ref. | Part Number | Qty. | Description         |
|------|-------------|------|---------------------|
| 100  | 110-3832    | 2    | Washer-Plain        |
| 110  | 100-1762    | 2    | Bolt                |
| 120  | 110-3833    | 3    | Bracket-Arm, Rocker |
| 130  | 110-3834    | 3    | Bolt-Flange         |
| 170  | 98-7602     | 1    | Pin-Spring          |
| 180  | 112-8342    | 2    | Spring              |
| 190  | 100-1884    | 6    | Rocker Arm ASM      |
| 200  | 100-1885    | 6    | Screw-Adjusting     |
| 210  | 100-1827    | 6    | Nut                 |



## Inlet and Exhaust Manifold Assembly

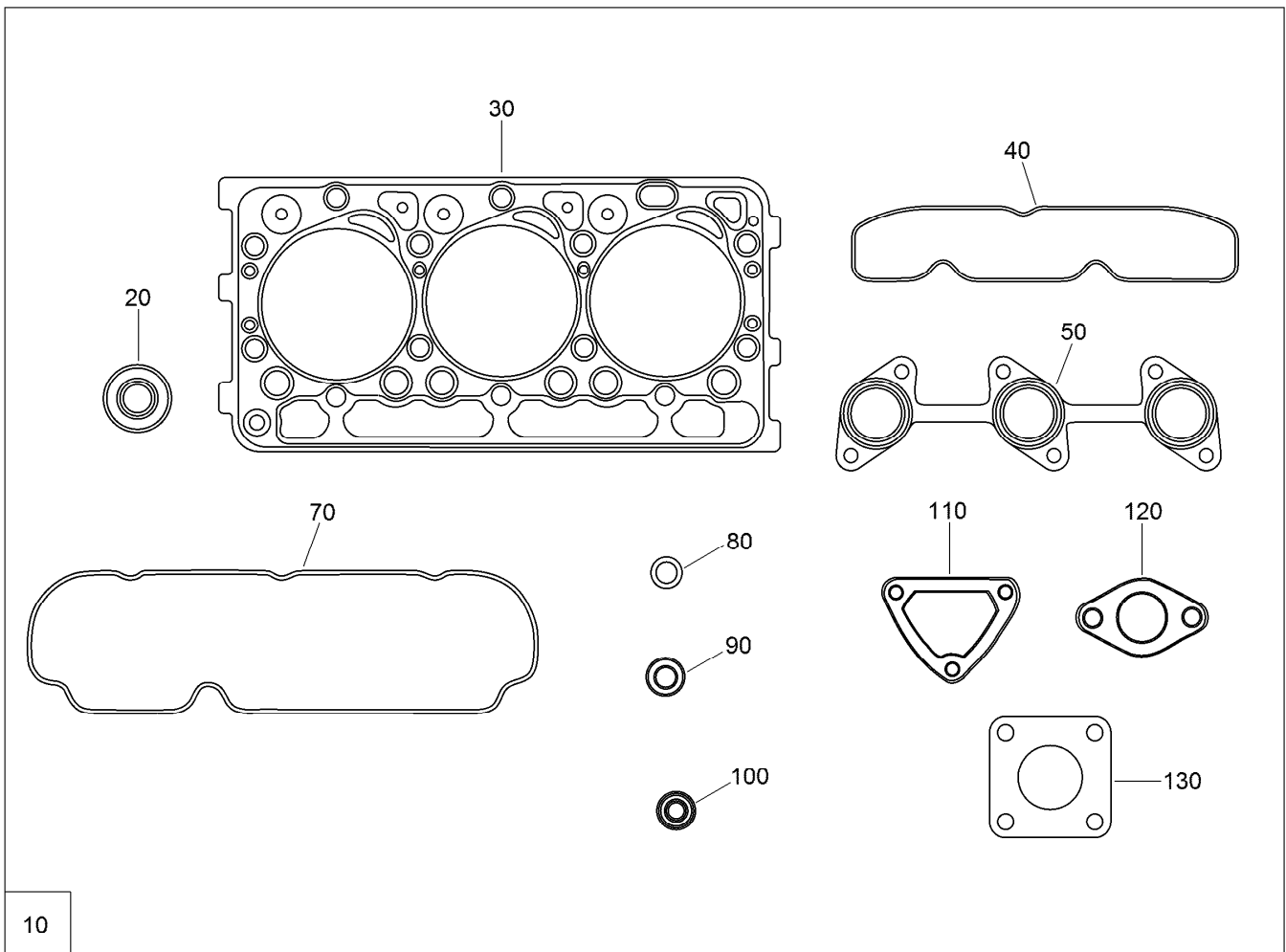
| <i>Ref.</i> | <i>Part Number</i> | <i>Qty.</i> | <i>Description</i>       |
|-------------|--------------------|-------------|--------------------------|
| 10          | 120-3141           | 1           | Intake Manifold ASM      |
| 20          | 110-3838           | 1           | Gasket-Manifold, Intake  |
| 30          | 121-2417           | 1           | Pipe-Breather            |
| 40          | 98-9352            | 5           | Bolt                     |
| 50          | 112-2516           | 1           | Manifold-Exhaust         |
| 60          | 110-3840           | 1           | Gasket-Manifold, Exhaust |
| 70          | 130-1154           | 3           | Screw-Hex HD             |
| 80          | 130-1156           | 3           | Bolt-Stud                |
| 90          | 100-1778           | 3           | Nut                      |
| 100         | 99-8343            | 1           | Gasket-Muffler           |
| 110         | 112-2517           | 1           | Cover-Heat               |
| 120         | 130-1173           | 2           | Screw-Flange HD          |



## Miscellaneous Engine Parts

| <i>Ref.</i> | <i>Part Number</i> | <i>Qty.</i> | <i>Description</i> |
|-------------|--------------------|-------------|--------------------|
| 10          | 130-1513           | 1           | Manual-Operator    |

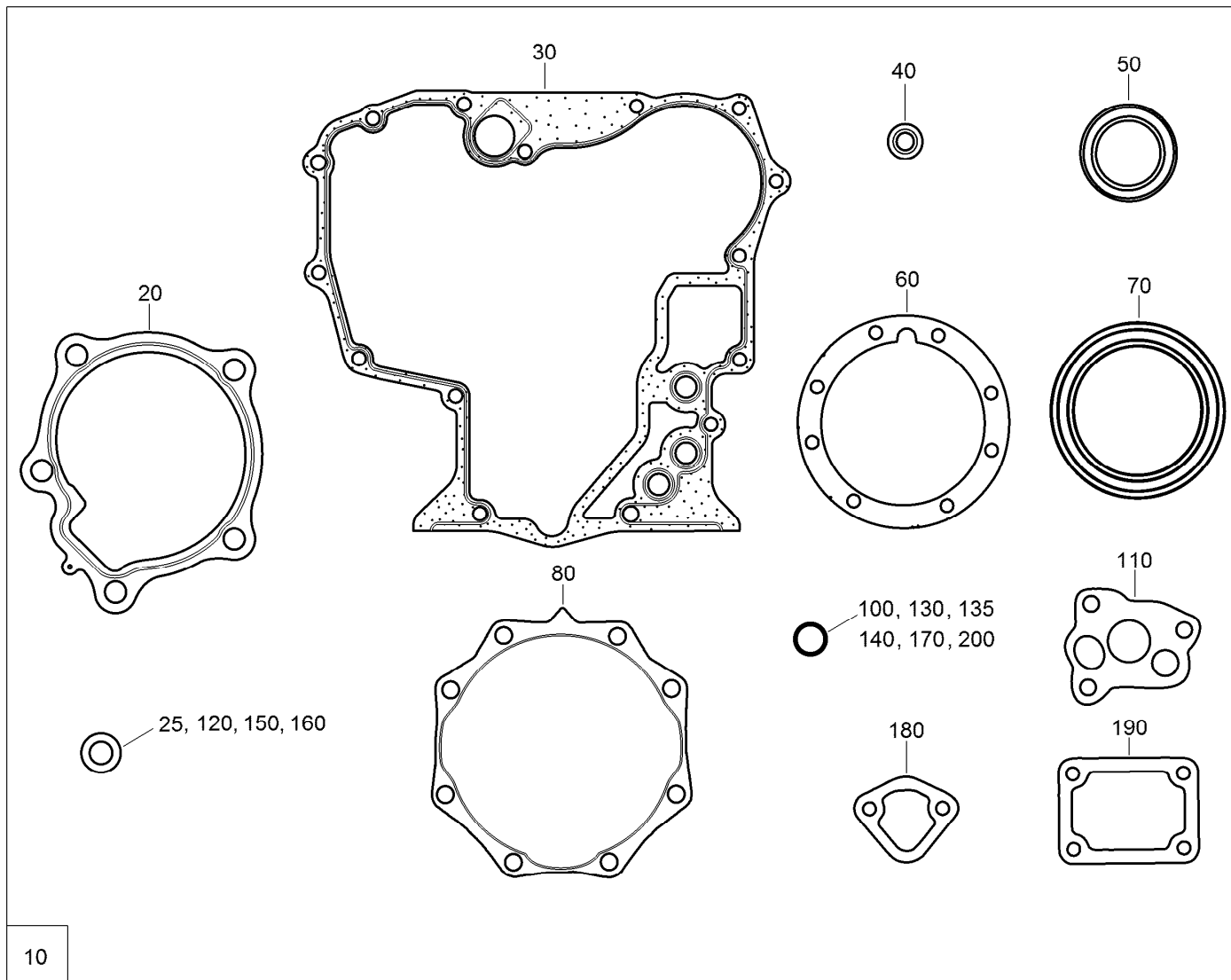




10

## Upper Engine Gasket Kit

| Ref. | Part Number | Qty. | Description              |
|------|-------------|------|--------------------------|
| 10   | 112-2518    | 1    | Upper Gasket Kit         |
| 20   | 100-1797    | 6    | Seal-Stem, Valve         |
| 30   | 112-2520    | 1    | Gasket-Head, Cylinder    |
| 40   | 110-3838    | 1    | Gasket-Manifold, Intake  |
| 50   | 110-3840    | 1    | Gasket-Manifold, Exhaust |
| 70   | 112-2521    | 1    | Gasket-Cover, Head       |
| 80   | 99-3446     | 1    | O-Ring                   |
| 90   | 98-7676     | 3    | Gasket                   |
| 100  | 98-7677     | 3    | Seal-Heat                |
| 110  | 110-3820    | 1    | Gasket-Flange, Water     |
| 120  | 105-3748    | 1    | Gasket-Thermostat        |
| 130  | 99-8343     | 1    | Gasket-Muffler           |



## Lower Engine Gasket Kit

| <i>Ref.</i> | <i>Part Number</i> | <i>Qty.</i> | <i>Description</i>   | <i>Ref.</i> | <i>Part Number</i> | <i>Qty.</i> | <i>Description</i>    |
|-------------|--------------------|-------------|----------------------|-------------|--------------------|-------------|-----------------------|
| 10          | 117-1706           | 1           | Lower Gasket Kit     | 120         | 98-7654            | 1           | Gasket                |
| 20          | 117-0330           | 1           | Gasket-Pump, Water   | 130         | 105-3776           | 1           | O-Ring                |
| 25          | 98-7524            | 1           | Gasket               | 135         | 98-9722            | 1           | O-Ring                |
| 30          | 117-0327           | 1           | Gasket-Case, Gear    | 140         | 100-2207           | 1           | O-Ring                |
| 40          | 112-8325           | 1           | Washer               | 150         | 98-7654            | 2           | Gasket                |
| 50          | 120-7852           | 1           | Seal-Oil             | 160         | 110-9715           | 1           | Gasket-Pan, Oil       |
| 60          | 112-2812           | 1           | Gasket-Case, Bearing | 170         | 100-2208           | 1           | O-Ring                |
| 70          | 110-3724           | 1           | Seal-Oil             | 180         | 98-9636            | 1           | Gasket-Pump, Fuel     |
| 80          | 100-1876           | 1           | Gasket-Cover, Case   | 190         | 100-1962           | 1           | Gasket-Plate, Control |
| 100         | 100-2209           | 1           | O-Ring               | 200         | 110-3762           | 1           | O-Ring                |
| 110         | 100-2003           | 1           | Gasket-Pump, Oil     |             |                    |             |                       |

# Attachments and Accessories

## For 22323 TX 525 Compact Tool Carrier

| <b>Product Name</b>                   | <b>Model/Part</b> |
|---------------------------------------|-------------------|
| Light Kit.....                        | 100-8840          |
| Track Kit.....                        | 104-6106          |
| Road Wheel Kit.....                   | 106-7620          |
| Reference Guide Kit .....             | 107-9310          |
| Track-Aggressive Tread.....           | 108-5640          |
| Kit-TX427/525 Snow Thrower Power..... | 144-2512          |
| Adjustable Forks .....                | 22341             |
| 4 Cubic Foot Standard Bucket .....    | 22409             |
| Loose Materials Bucket .....          | 22410             |
| 48in Hydraulic Blade.....             | 22414             |
| Bore Drive Head .....                 | 22420             |
| Rod and Reamer .....                  | 22421             |
| Multi-Purpose Tool.....               | 22423             |
| Direct Drive Power Box Rake .....     | 22426             |
| Stump Grinder .....                   | 22429             |
| Tree Forks .....                      | 22438             |
| Cement Bowl .....                     | 22442             |
| 40in Tiller .....                     | 22445             |
| Crumber Kit .....                     | 22464             |
| Trench Filler.....                    | 22472             |
| High-Torque Trencher Head .....       | 22473             |
| High-Speed Trencher Head .....        | 22474             |
| TX Platform.....                      | 22476             |
| 4-in-1 Bucket .....                   | 22478             |
| Narrow Bucket.....                    | 22520             |
| Grapple Rake .....                    | 22577             |
| Floor Scraper.....                    | 22673             |
| Auger Head .....                      | 22805             |
| Universal Swivel Auger Head .....     | 22806             |
| 18in Auger Bit .....                  | 22814             |
| 24in Auger Bit .....                  | 22815             |
| 30in Auger Bit.....                   | 22816             |
| 12in Auger Bit Extension .....        | 22818             |
| 24in Auger Bit Extension .....        | 22819             |
| 6in Full-Flight Auger Bit .....       | 22820             |
| 9in Full-Flight Auger Bit .....       | 22821             |
| 12in Full-Flight Auger Bit.....       | 22822             |
| 15in Full-Flight Auger Bit.....       | 22823             |
| Vibratory Plow .....                  | 22911             |
| Soil Cultivator .....                 | 23102             |
| Concrete Breaker .....                | 23135             |
| Backhoe Fitup Kit.....                | 23162             |
| Backhoe.....                          | 23163             |
| Leveler.....                          | 23165             |
| 30in Standard Bucket .....            | 23174             |
| 30in Pallet Fork.....                 | 23175             |

# Attachments and Accessories (continued)

30in Grapple ..... 23176  
Spark Arrestor Screen ..... 75-6880

**Notes:**

**Notes:**

**Notes:**



**Count on it.**