



**Count on it.**

**Parts Catalog**

**TX 427**

**Compact Tool Carrier**

Model No. 22321—Serial No. 407960000 and Up



# Ordering Replacement Parts

To order replacement parts, please supply the part number, the quantity, and the description of each part desired.

## Understanding Reference Numbers

Each identified part in an illustration has a reference number. The reference number for a part also appears in the parts list, along with other information about the part.

This catalog uses two special reference number formats, one to indicate parts in a service assembly and another to indicate the quantity of a given part in an illustration.

## Service Assembly Reference Numbers

Parts in service assemblies have reference numbers in the form a:b. The a represents the reference number of the entire service assembly and the b represents a sequential number unique to each part within the service assembly.

For example, a wheel assembly might be identified by reference number 6, the tire by 6:1, the valve by 6:2, and the wheel by 6:3. When you order the assembly identified by reference number 6, you receive all parts identified by reference numbers 6:1, 6:2, and 6:3. However, you may also order any part individually. Reference numbers of this type appear in illustration and in parts lists.

## Reference Numbers Indicating Quantity

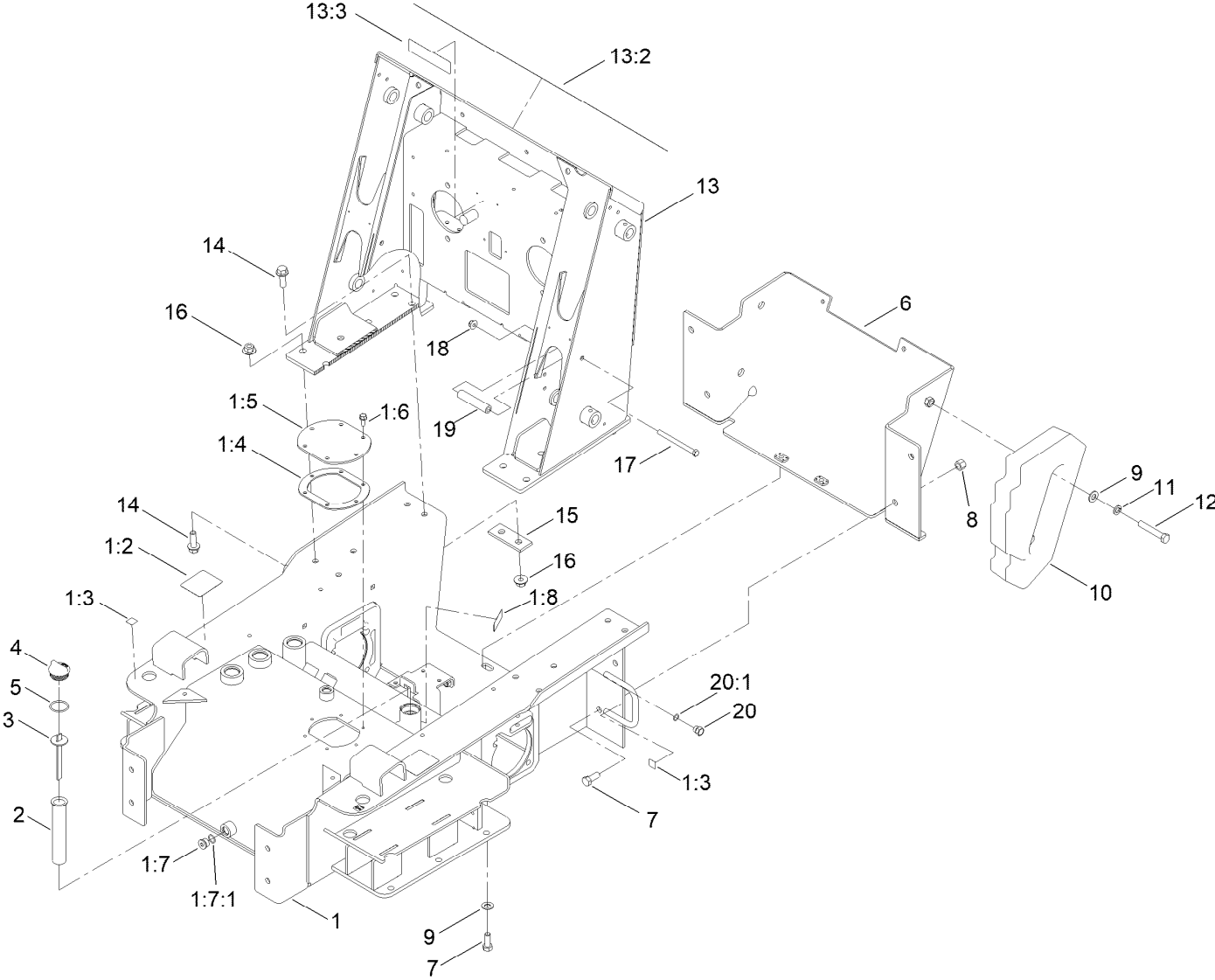
In an illustration, if a reference number indicates more than one part, the reference number has the form nX y. The n represents the quantity of the part, the X is the multiplication symbol, and the y represents the reference number.

For example, in an illustration, the reference number 2X 37 means that two of the parts identified by reference number 37 are indicated.

# Contents

Main Frame Assembly	4
Grill, Side Cover and Counterweight Assembly	6
Engine, Exhaust and Control Lever Assembly	8
Fuel Tank and Carbon Canister Assembly	10
Air Cleaner Mount Assembly	12
Air Cleaner Assembly No. 93-2190	14
Hydraulic Pump Mount Assembly	16
Hydraulic Pump Assembly No. 106-7650	18
Traction Hydraulic Assembly	20
Hydraulic Pump Assembly No. 106-5705 and 106-5706	22
Hydraulic Motor Assembly No. 106-7654	24
Main Hydraulic Assembly	26
One Spool Valve Assembly No. 104-2831	28
Two Spool Valve Assembly No. 106-9307	30
Hydraulic Pump Pulley Assembly	32
Track and Traction Assembly	34
Control Panel Assembly	36
Traction Control Assembly	38
Control Handle and Reference Bar Assembly	40
Brake Handle and Bracket Assembly	42
Wire Harness, Temperature Sensor and Shield Assembly	44
Battery, Key Switch and Fuel Gauge Assembly	46
Loader Arm Assembly	48
Loader Arm Hydraulic Assembly	50
Hydraulic Cylinder Assembly No. 139-0778	52
Hydraulic Cylinder Assembly No. 139-0777	54
Hydraulic Cylinder Assembly No. 139-0776	56
Quick Attach Assembly	58
Heat Exchanger Assembly	60
Hood and Fan Assembly	62
Attachments and Accessories	64

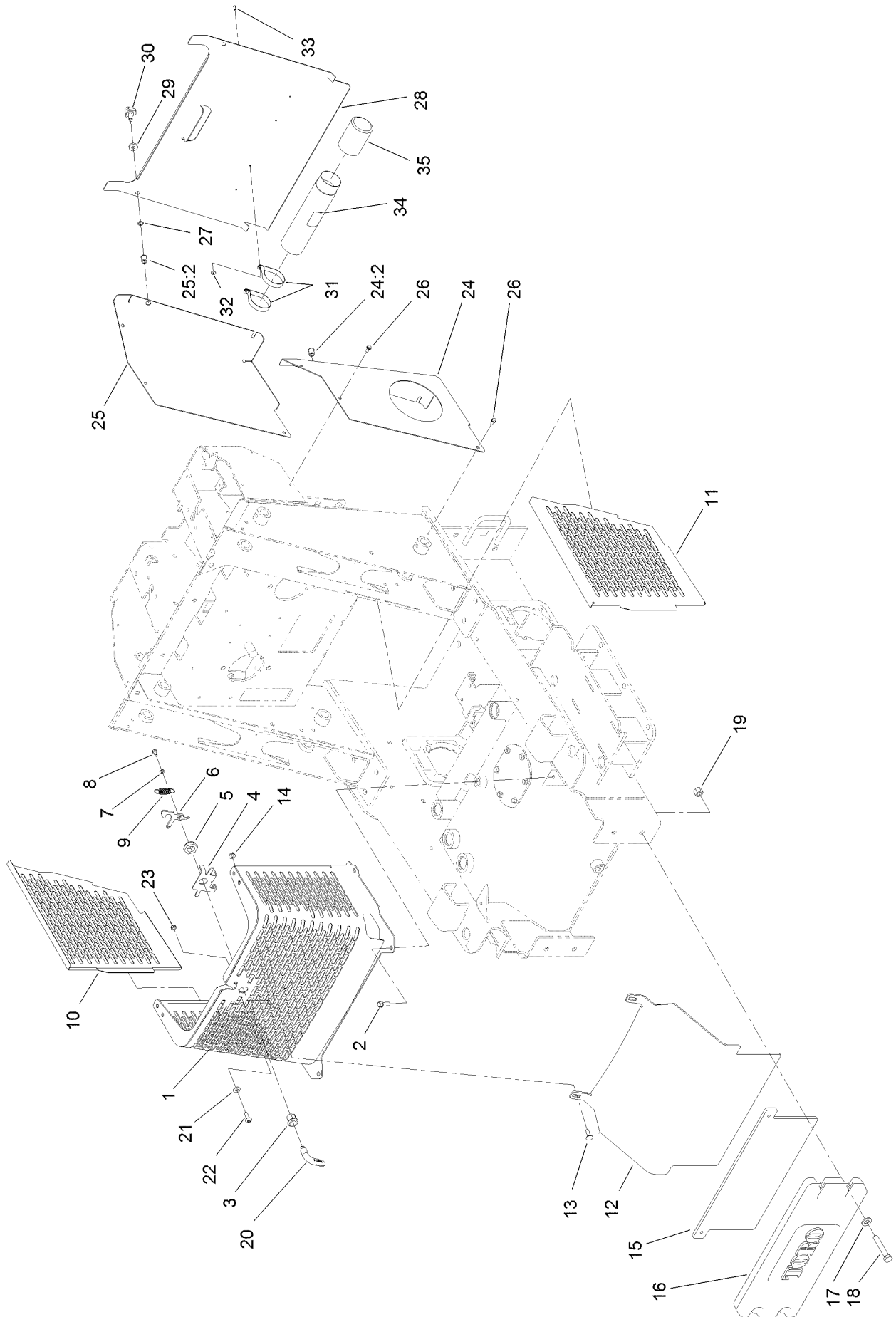
# Main Frame Assembly



## Main Frame Assembly (continued)

<i>Ref.</i>	<i>Part Number</i>	<i>Qty.</i>	<i>Description</i>	<i>Ref.</i>	<i>Part Number</i>	<i>Qty.</i>	<i>Description</i>
1	114-1354	1	Chassis ASM	9	3256-26	6	Washer-Flat
1:2	100-4650	2	Decal-Warning	10	99-6165-01	2	Counterweight-Rear
1:3	93-9084	4	Decal-Point, Lift	11	3253-7	4	Washer-Lock
1:4	107-3557	1	Gasket-Cover, Access	12	325-12	4	Screw-HH
1:5	108-6297-01	1	Cover-Tank	13	117-9982	1	Loader Tower ASM
1:6	98-9940	6	Screw-HHF	13:2	138-0799	1	Decal-Panel, Control
1:7	353-988	2	Plug-Hex	13:3	93-7814	1	Decal-Danger
1:7:1	237-79	1	O-Ring	14	100-6116	10	Screw-HHF
1:8	93-6686	1	Decal-Oil, HYD	15	100-6123-01	2	Plate-Stiffener
2	61-2790	1	Filter-Screen	16	32128-52	10	Nut-Lock, Flange
3	100-2097	1	Dipstick-Oil	17	323-23	2	Screw-HH
4	93-7498	1	Plug-Plastic	18	104-8301	2	Nut-HF, NI
5	237-101	1	O-Ring	19	100-1271	2	Tube-Spacer
6	115-4565-01	1	Cover-Rear	20	353-508	1	Plug-HH
7	325-5	6	Screw-HH	20:1	237-42	1	O-Ring
8	3296-23	4	Nut-Lock, NI				

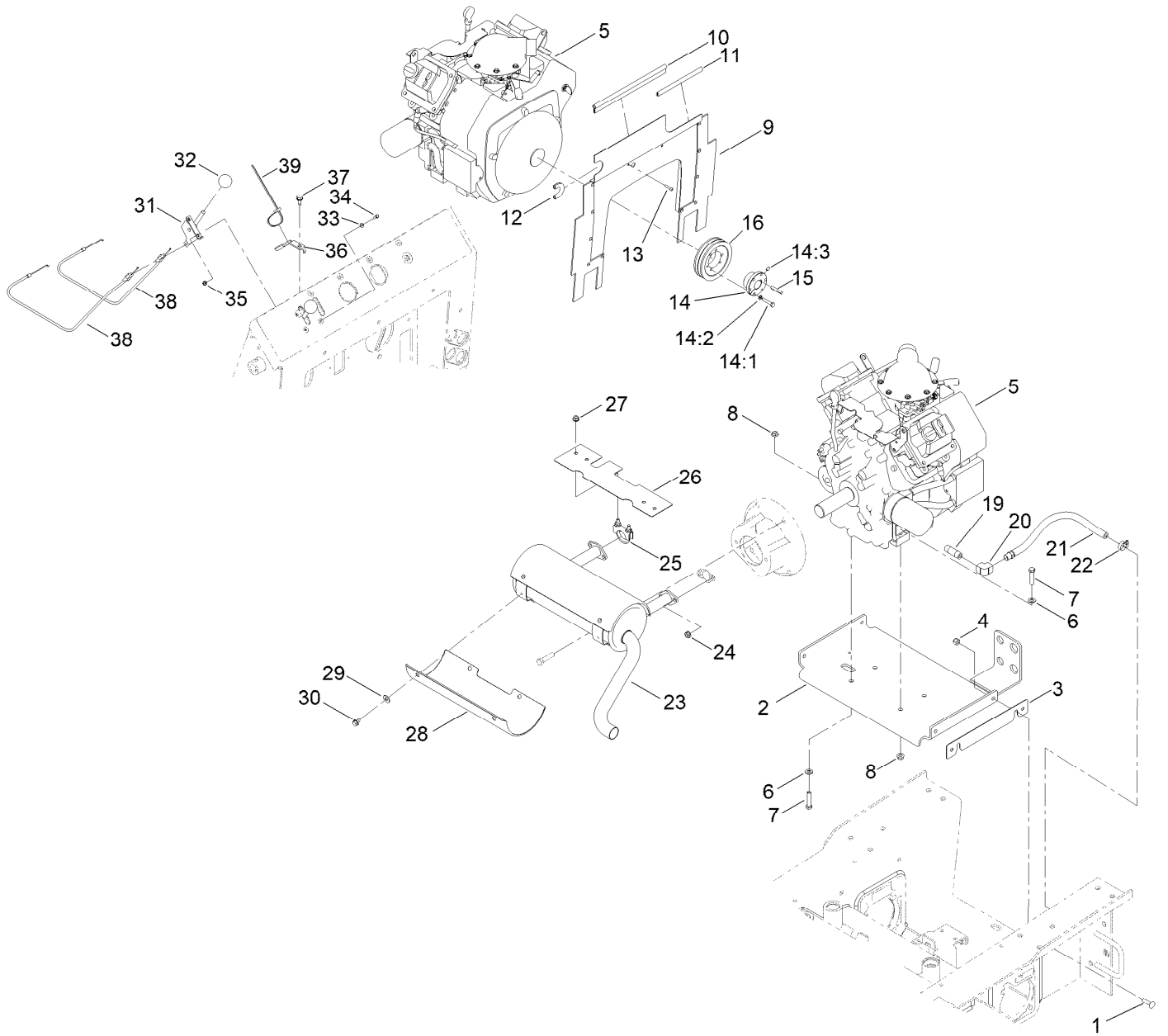
# Grill, Side Cover and Counterweight Assembly



# Grill, Side Cover and Counterweight Assembly (continued)

<i>Ref.</i>	<i>Part Number</i>	<i>Qty.</i>	<i>Description</i>	<i>Ref.</i>	<i>Part Number</i>	<i>Qty.</i>	<i>Description</i>
1	117-9998-03	1	Grill	21	3256-2	1	Washer-Flat
2	95-1726	4	Screw-Taptite	22	107-8021	1	Screw-PTH
3	106-9335	1	Housing-Latch	23	3296-47	1	Nut-Lock,NI
4	106-5729	1	Bracket-Latch	24	106-9343	1	LH Rear Cover Support ASM
5	3296-60	1	Nut-Lock, NI	24:2	32148-9	1	Nut-Clinch
6	106-5728	1	Cam-Latch	25	106-9342	1	RH Rear Cover Support ASM
7	3253-3	1	Washer-Lock	25:2	32148-9	1	Nut-Clinch
8	321-2	1	Screw-HH	26	9266714	6	Screw-HWH
9	104-0869	1	Spring	27	32151-72	2	Ring-Retaining
10	106-5727-03	1	Panel-Side, RH	28	106-9339-01	1	Cover-Access, Rear
11	106-5726-03	1	Panel-Side, LH	29	106-0565	2	Washer-Rubber
12	117-9994-03	1	Plate-Front	30	95-9648	2	Knob
13	3230-28	2	Screw-CARR	31	2412-120	2	Clamp-R
14	32128-20	2	Nut-HF	32	3269-10	2	Washer-Back
15	117-9995-03	1	Plate-Counterweight	33	3269-17	2	Rivet-Pop
16	99-6166-01	1	Counterweight-Front	34	104-7050	1	Tube-Manual
17	3256-26	4	Washer-Flat	35	104-7048	1	Cap-Housing
18	325-12	4	Screw-HH				
19	3296-23	4	Nut-Lock, NI				
20	108-5639	1	Handle-Latch				

# Engine, Exhaust and Control Lever Assembly





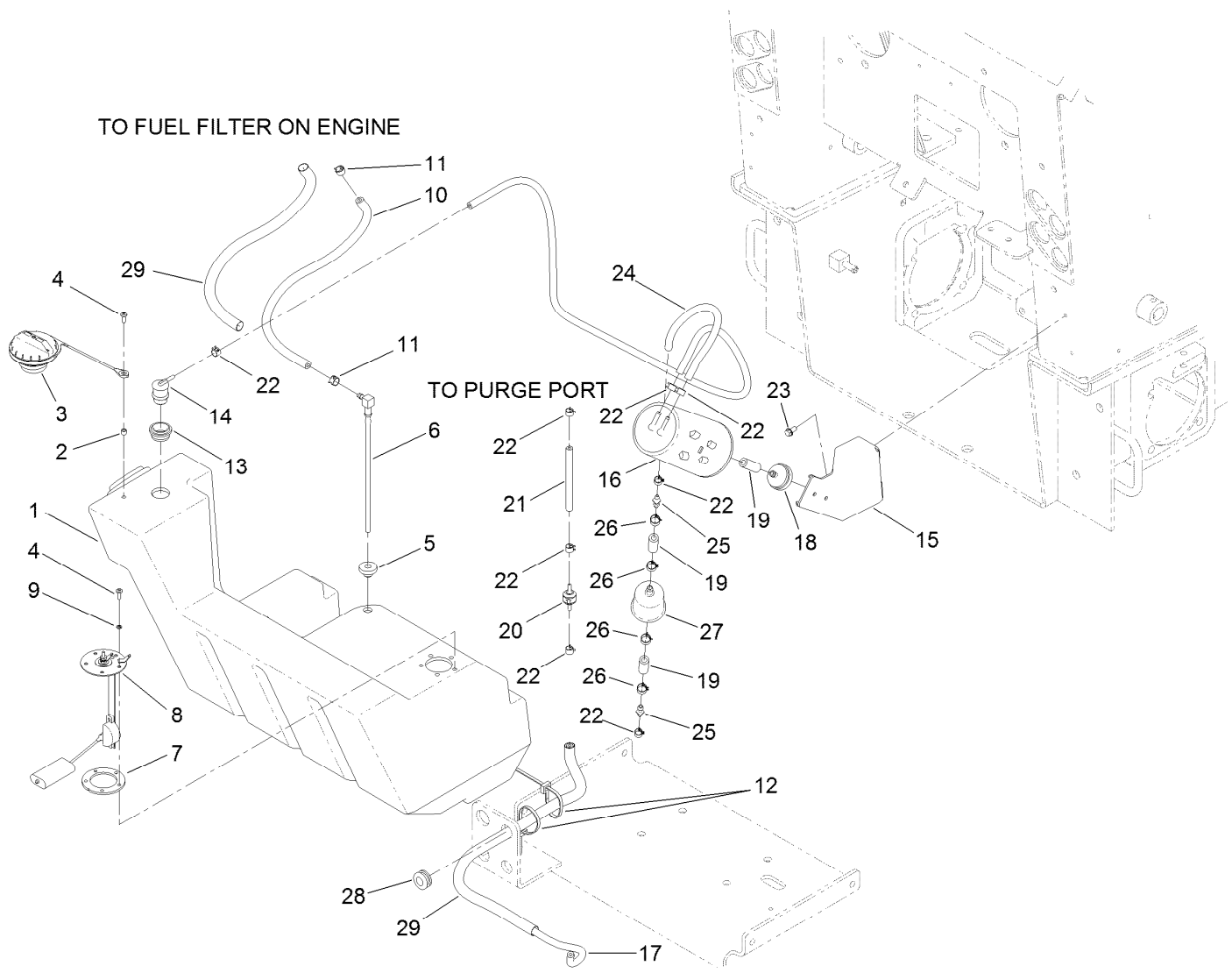
# Engine, Exhaust and Control Lever Assembly (continued)

<i>Ref.</i>	<i>Part Number</i>	<i>Qty.</i>	<i>Description</i>	<i>Ref.</i>	<i>Part Number</i>	<i>Qty.</i>	<i>Description</i>
1	3231-28	4	Screw-CARR	20	94-9650	1	Elbow-90 DEG
2	114-1288-03	1	Plate-Mounting, Engine	21	100-1256	1	Oil Hose ASM
3	117-1811	1	Shim-Strap	22	2412-36	1	Clamp-Hose
4	3296-39	4	Nut-Lock, NI	23	115-1509	1	Muffler
5		1	Engine-Kohler, Ch740-3136 ●■	24	112-2844	4	Nut-HF
6	48-9220	4	Washer-Flat	25	104-4090	2	Clamp-Muffler
7	323-9	4	Screw-HH	26	114-1366	1	Shield-Manifold
8	32128-21	4	Nut-HF Lock	27	32128-25	4	Nut-HF
9	114-8725	1	Baffle-Engine	28	117-9973	2	Shield-Muffler
10	115-4837	1	Strip-Seal, 10.5 Inch	29	3256-3	8	Washer-Flat
11	105-0378	1	Seal-Strip, 6.5 Inch	30	9266934	8	Screw
12	105-0377	1	Seal-Strip, 3 Inch	31	108-9730	2	Lever-Control
13	32144-36	2	Screw-PPH	32	233-42	2	Knob
14	61-3340	1	Bushing	33	3256-51	4	Washer-Flat
14:1	321-13	3	Screw-HH	34	3290-134	4	Screw
14:2	3253-2	3	Washer-Lock	35	32149-7	4	Nut-Keps
14:3	3245-2	1	Screw-Set, HSH	36	100-1299-03	1	Guide-Cable
15	67-7490	1	Key-Square	37	32144-11	1	Screw-HWH
16	61-3330	1	Pulley	38	108-4679	2	Cable-Throttle/Choke
19	289-42	1	Nipple	39	3290-378	1	Tie-Cable

● Not serviced separately

■ Obtain parts from [www.kohlerplus.com](http://www.kohlerplus.com)

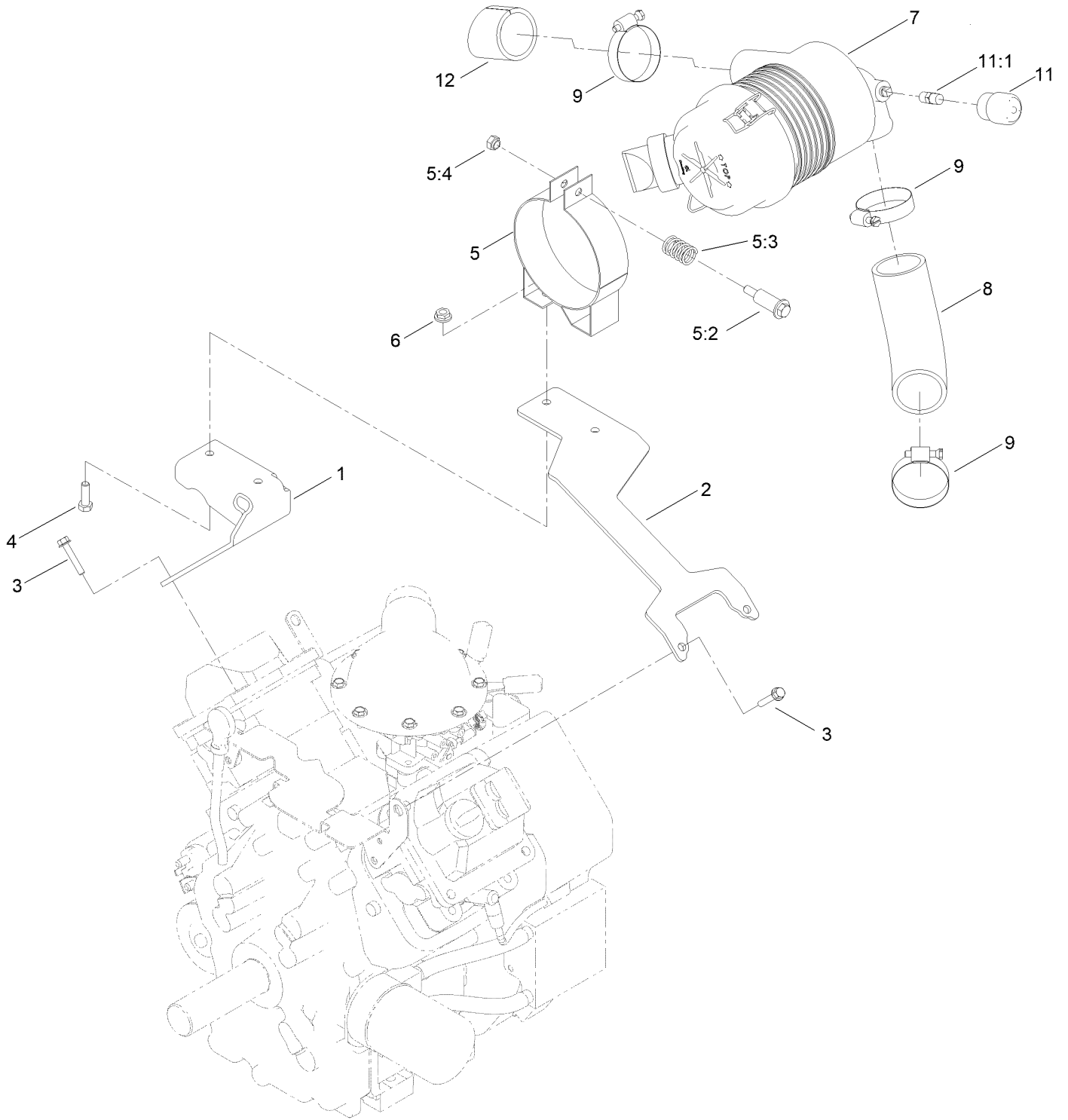
# Fuel Tank and Carbon Canister Assembly



## Fuel Tank and Carbon Canister Assembly (continued)

<i>Ref.</i>	<i>Part Number</i>	<i>Qty.</i>	<i>Description</i>	<i>Ref.</i>	<i>Part Number</i>	<i>Qty.</i>	<i>Description</i>
1	117-9956	1	Tank-Fuel	16	127-8685	1	Canister-Carbon
2	117-9965	1	Spacer	17	119-3517	2	Hose-Fuel
3	117-1722	1	Cap-Fuel	18	115-7854	1	Filter-Fuel, Inline
4	3250-31	6	Screw-PPH	19	106-5317	3	Hose-Fuel
5	46-6560	1	Bushing	20	133-8499	1	Valve-Check, Vacuum
6	98-0185	1	Pipe-Stand	21	115-4736	1	Hose-Fuel
7	113372	1	Gasket-Sender, Fuel	22	2412-146	8	Clamp-Hose
8	100-1298	1	Sender-Fuel	23	9266714	2	Screw-HWH
9	3253-17	5	Washer-Lock	24	51-3217	1	Hose-Fuel
10	109-0301	1	Hose-Fuel	25	106-8150	2	Fitting-Straight
11	2412-98	2	Clamp-Hose	26	92-2379	4	Clamp-Hose
12	3290-378	3	Tie-Cable	27	120-2235	1	Filter-Fuel
13	114-0284	1	Grommet	28	94-1389	1	Grommet
14	114-0285	1	Valve-Rollover	29	131-0575	2	Sleeve-Thermal
15	117-4043-03	1	Holder-Canister				

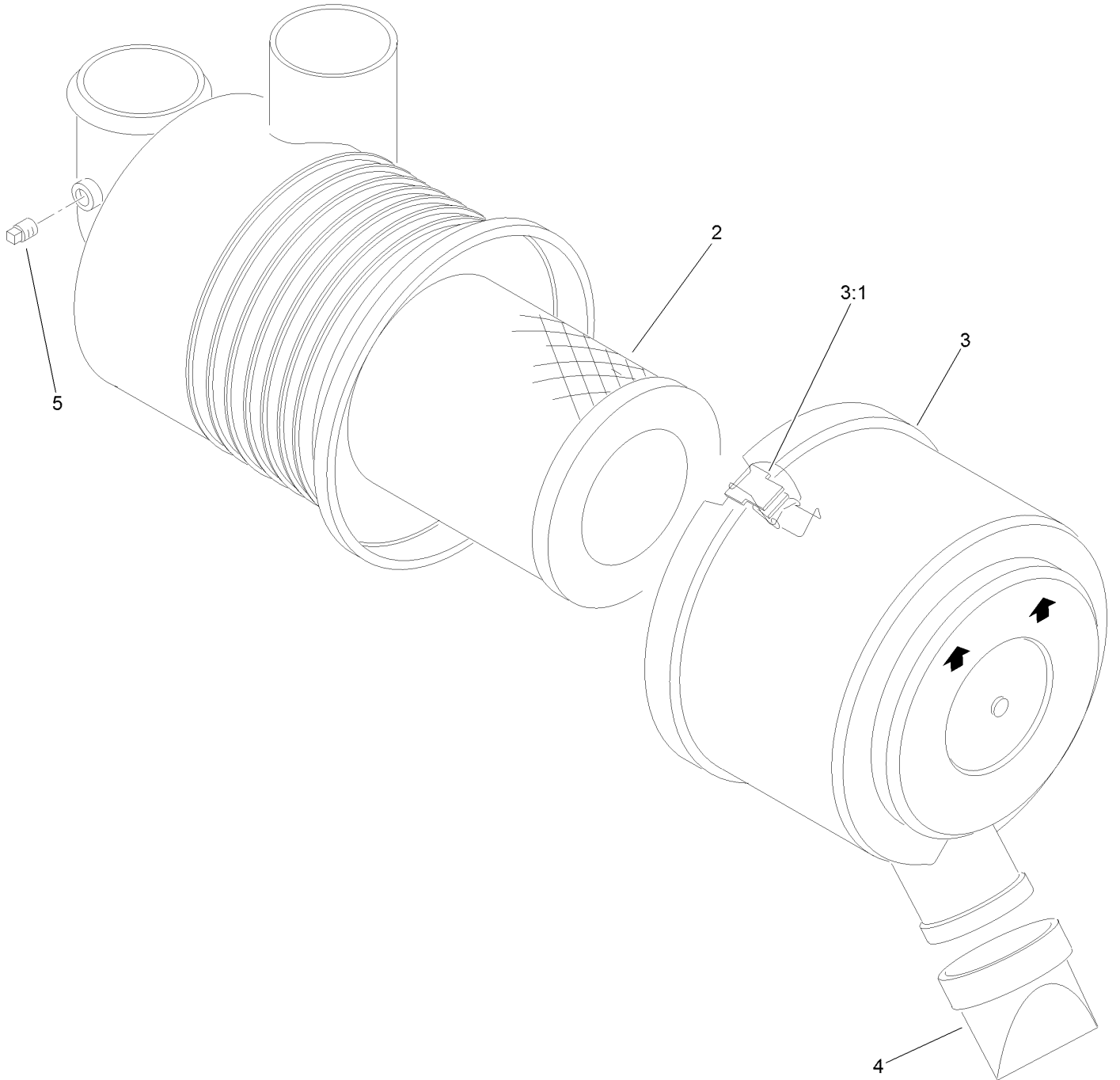
# Air Cleaner Mount Assembly



## Air Cleaner Mount Assembly (continued)

<i>Ref.</i>	<i>Part Number</i>	<i>Qty.</i>	<i>Description</i>	<i>Ref.</i>	<i>Part Number</i>	<i>Qty.</i>	<i>Description</i>
1	117-1729-03	1	Bracket-Support, Right	5:4	48-9510	1	*obs* Nut
2	117-1728-03	1	Bracket-Support, Left	6	32128-20	2	Nut-HF
3	33103-035	4	Screw-HHF	7	93-2190	1	Air Cleaner ASM
4	322-5	2	Screw-HH	8	114-8734	1	Hose-Air Cleaner
5	93-2191	1	Air Cleaner Mounting Band ASM	9	2412-92	3	Clamp-Hose
5:2	94-3653	1	Bolt	11	104-3563	1	Indicator
5:3	94-3654	1	Spring	11:1	94-1416	1	Adapter-Indicator
				12	114-1364	1	Tube-Inlet, Air

# Air Cleaner Assembly No. 93-2190

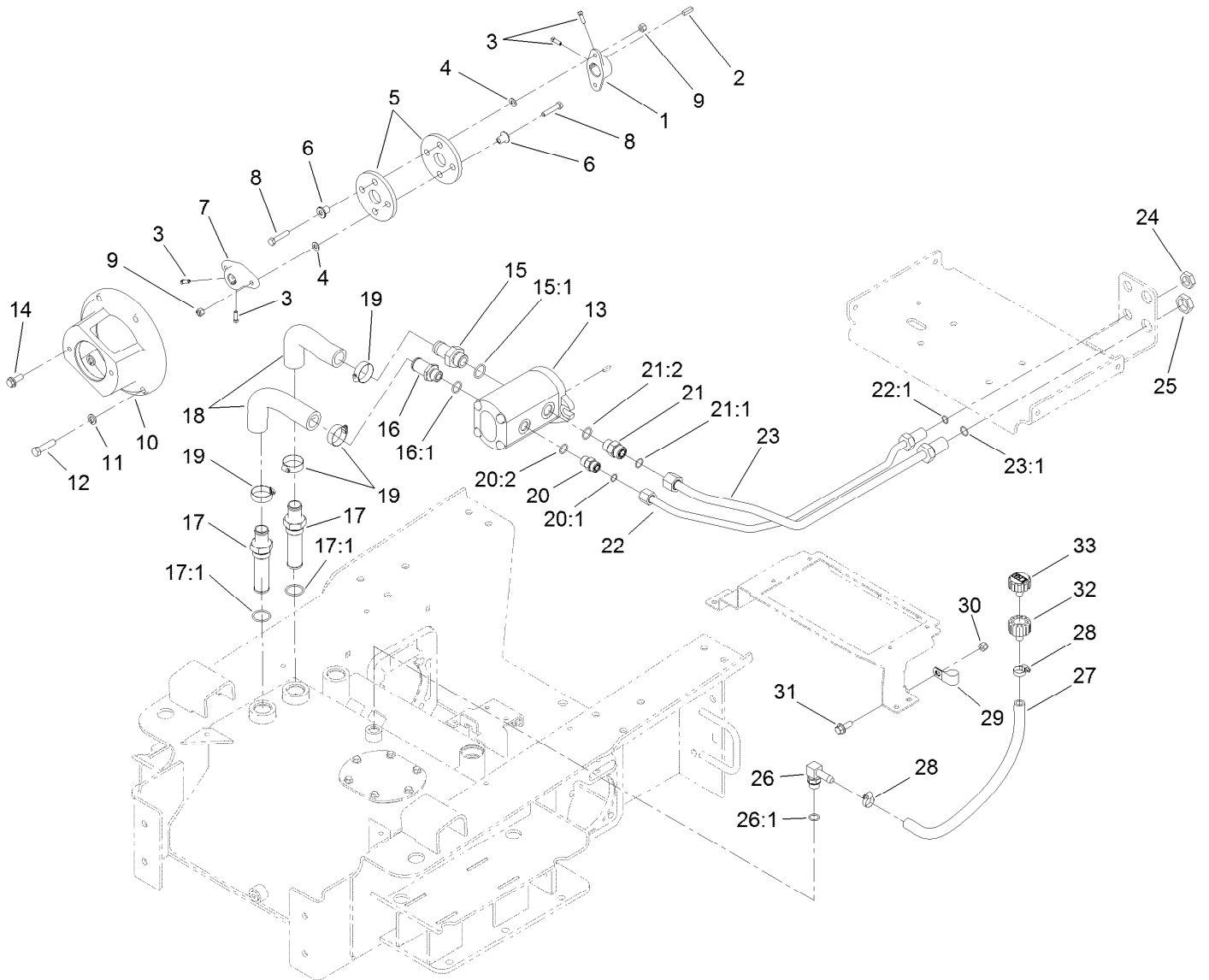


## Air Cleaner Assembly No. 93-2190 (continued)

<i>Ref.</i>	<i>Part Number</i>	<i>Qty.</i>	<i>Description</i>
2	108-3811	1	Filter-Air V-Twin HD
3	94-3652	1	Cover ASM
3:1	1-643283	2	Latch-Cleaner, Air

<i>Ref.</i>	<i>Part Number</i>	<i>Qty.</i>	<i>Description</i>
4	87-9400	1	Valve-Vacuator
5	285-17	1	Plug-Pipe

# Hydraulic Pump Mount Assembly

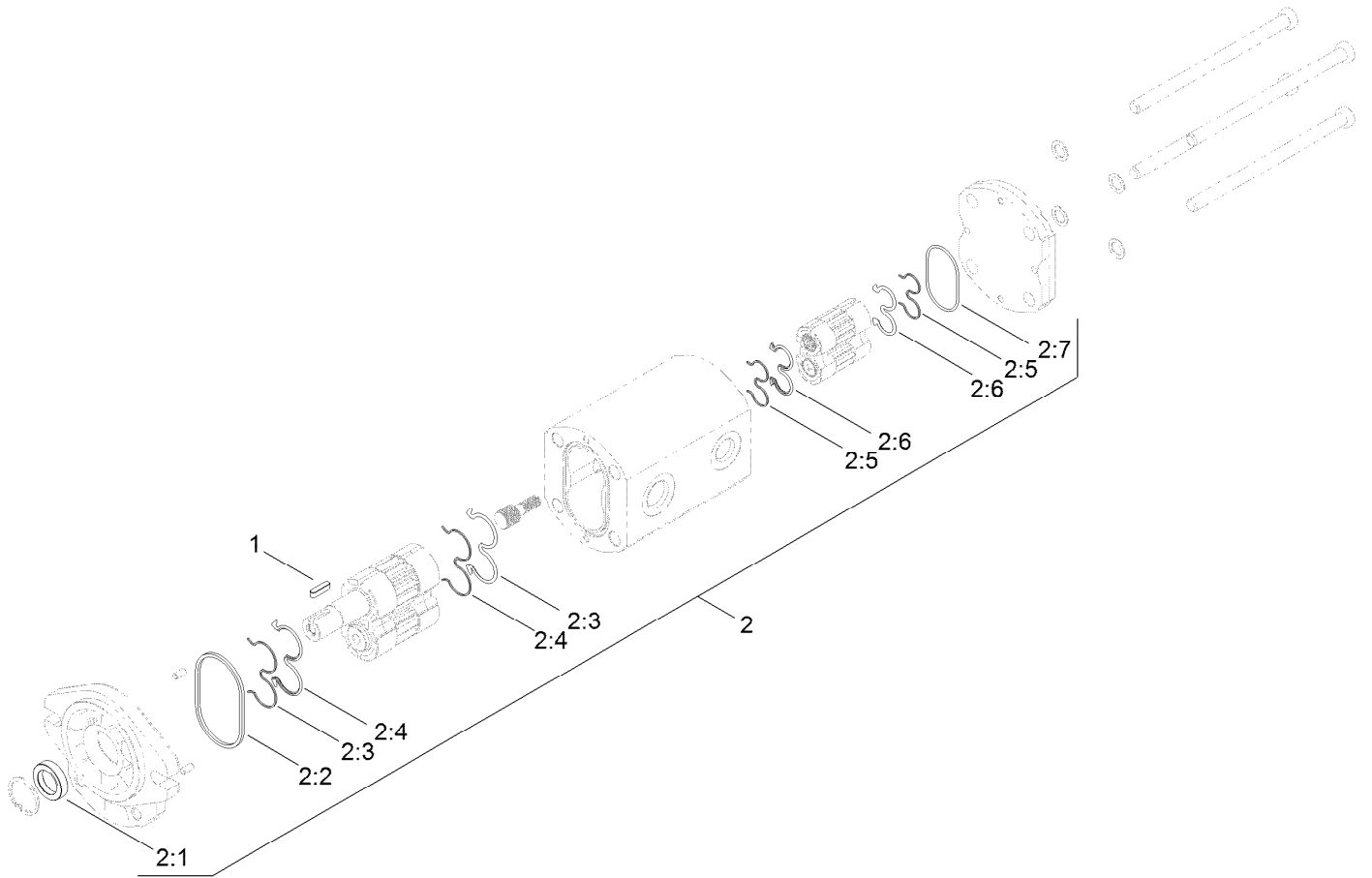




## Hydraulic Pump Mount Assembly (continued)

<i>Ref.</i>	<i>Part Number</i>	<i>Qty.</i>	<i>Description</i>	<i>Ref.</i>	<i>Part Number</i>	<i>Qty.</i>	<i>Description</i>
1	110-5236	1	Hub-Engine	20	340-4	1	Fitting-Straight
2	10-7070	1	Key-Square	20:1	237-30	1	O-Ring
3	3241-6	4	Screw-SQH	20:2	237-79	1	O-Ring
4	3256-23	4	Washer-Plain	21	340-7	1	Fitting-Straight
5	115-4523	2	Coupling-Rubber	21:1	237-65	1	O-Ring
6	71-4411	4	Spacer	21:2	237-80	1	O-Ring
7	110-9695	1	Hub-Pump	22	114-1356	1	HYD Tube ASM
8	322-8	4	Screw-HH	22:1	237-30	1	O-Ring
9	3296-29	4	Nut-Lock, NI	23	114-1355	1	HYD Tube ASM
10	98-2751-03	1	Mount-Pump	23:1	237-65	1	O-Ring
11	3253-6	4	Washer-Lock	24	340-127	1	Nut-Bulkhead
12	324-7	4	Screw-HH	25	340-74	1	Nut-Lock, Bulkhead
13	106-7650	1	HYD Pump ASM	26	354-120	1	Fitting-Elbow, 90
14	66-9300	2	Screw-HHF	26:1	237-79	1	O-Ring
15	99-3017	1	Fitting	27	98-4667	1	Hose
15:1	237-81	1	O-Ring	28	2412-36	2	Clamp-Hose
16	131-0573	1	Fitting-STR	29	2412-4	1	Clamp-R
16:1	237-80	1	O-Ring	30	3296-39	1	Nut-Lock, NI
17	112-0211	2	Strainer Fitting ASM	31	3234-42	1	Screw-HHF
17:1	237-146	1	O-Ring	32	92-8020	1	Adapter-Breather
18	131-0585	2	Hose-Suction, Formed	33	68-6150	1	Breather
19	2412-34	4	Clamp-Hose				

# Hydraulic Pump Assembly No. 106-7650

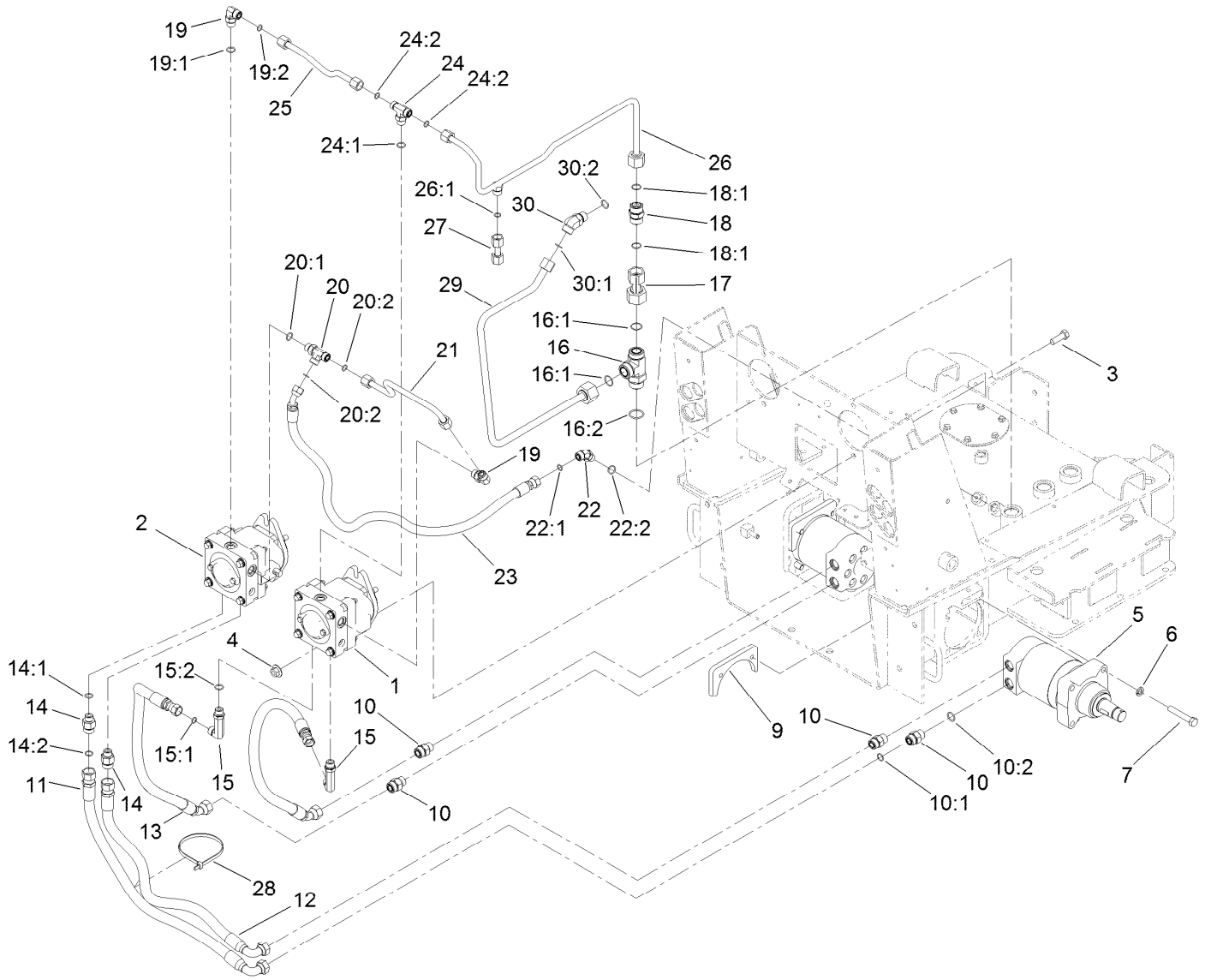


# Hydraulic Pump Assembly No. 106-7650 (continued)

<i>Ref.</i>	<i>Part Number</i>	<i>Qty.</i>	<i>Description</i>	<i>Ref.</i>	<i>Part Number</i>	<i>Qty.</i>	<i>Description</i>
1	100-4238	1	Key-Square	2:4		2	Seal-Gear ●
2	107-9316	1	Seal Kit	2:5		2	Ring-Backup ●
2:1		1	Seal-Shaft ●	2:6		2	Seal-Gear-Rear ●
2:2		1	Seal-Square ●	2:7		1	O-Ring ●
2:3		2	Ring-Backup ●				

● Not serviced separately

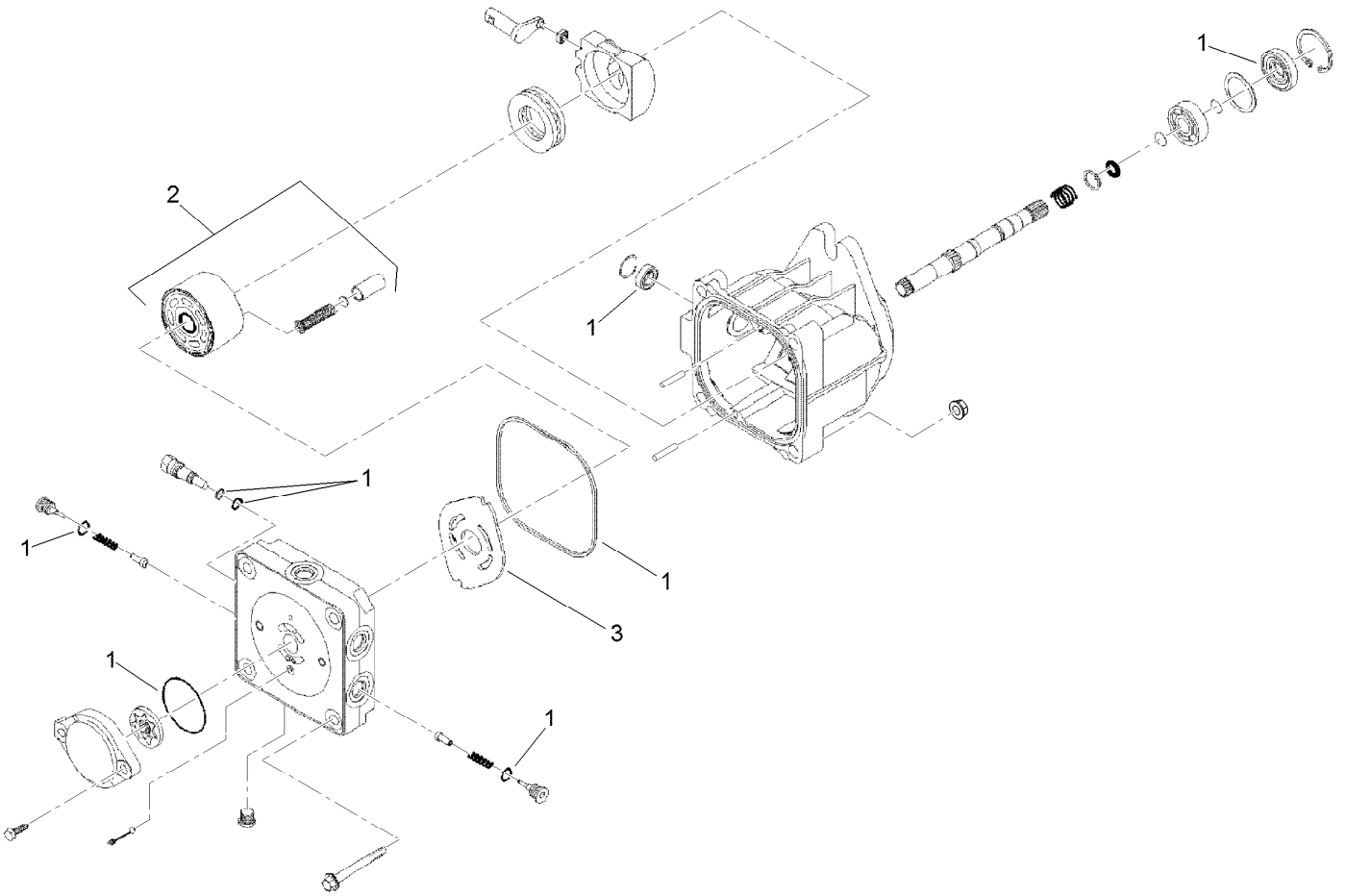
# Traction Hydraulic Assembly



## Traction Hydraulic Assembly (continued)

<i>Ref.</i>	<i>Part Number</i>	<i>Qty.</i>	<i>Description</i>	<i>Ref.</i>	<i>Part Number</i>	<i>Qty.</i>	<i>Description</i>
1	106-5706	1	RH HYD Pump ASM	18:1	237-58	2	O-Ring
2	106-5705	1	LH HYD Pump ASM	19	340-98	2	Fitting-Elbow, 90 DEG
3	325-6	4	Screw-HH	19:1	237-79	1	O-Ring
4	32128-52	4	Nut-Lock, Flange	19:2	237-30	1	O-Ring
5	106-7654	2	HYD Motor ASM	20	340-109	1	Fitting-Tee
6	3253-7	8	Washer-Lock	20:1	237-79	1	O-Ring
7	115-4845	8	Screw-HH, TAP	20:2	237-30	2	O-Ring
9	98-2763-03	2	Plate-Mounting	21	98-0200	1	Tube-HYD
10	340-7	4	Fitting-Straight	22	340-101	1	Fitting-HYD, 45 DEG
10:1	237-65	1	O-Ring	22:1	237-30	1	O-Ring
10:2	237-80	1	O-Ring	22:2	237-79	1	O-Ring
11	115-4829	1	Hose-HYD	23	98-0201	1	Hose-HYD
12	115-4826	1	Hose-HYD	24	340-157	1	Fitting-HYD, Tee
13	98-0233	2	Hose-HYD	24:1	237-79	1	O-Ring
14	340-155	2	Fitting-Straight	24:2	237-30	2	O-Ring
14:1	237-79	1	O-Ring	25	106-9330	1	Tube-HYD
14:2	237-151	1	O-Ring	26	108-4665	1	HYD Tube ASM
15	99-6160	2	Fitting-Elbow, 90 Long	26:1	237-30	1	O-Ring
15:1	237-30	1	O-Ring	27	108-4666	1	Tube-HYD
15:2	237-79	1	O-Ring	28	3334-945	1	Tie-Cable
16	104-3795	1	Fitting-Tee	29	117-3988	1	Tube-HYD
16:1	340-65	2	O-Ring	30	340-14	1	Fitting-HYD, 45 DEG
16:2	237-146	1	O-Ring	30:1	237-65	1	O-Ring
17	105-0226	1	Tube-HYD	30:2	237-80	1	O-Ring
18	99-6161	1	HYD Check Valve ASM				

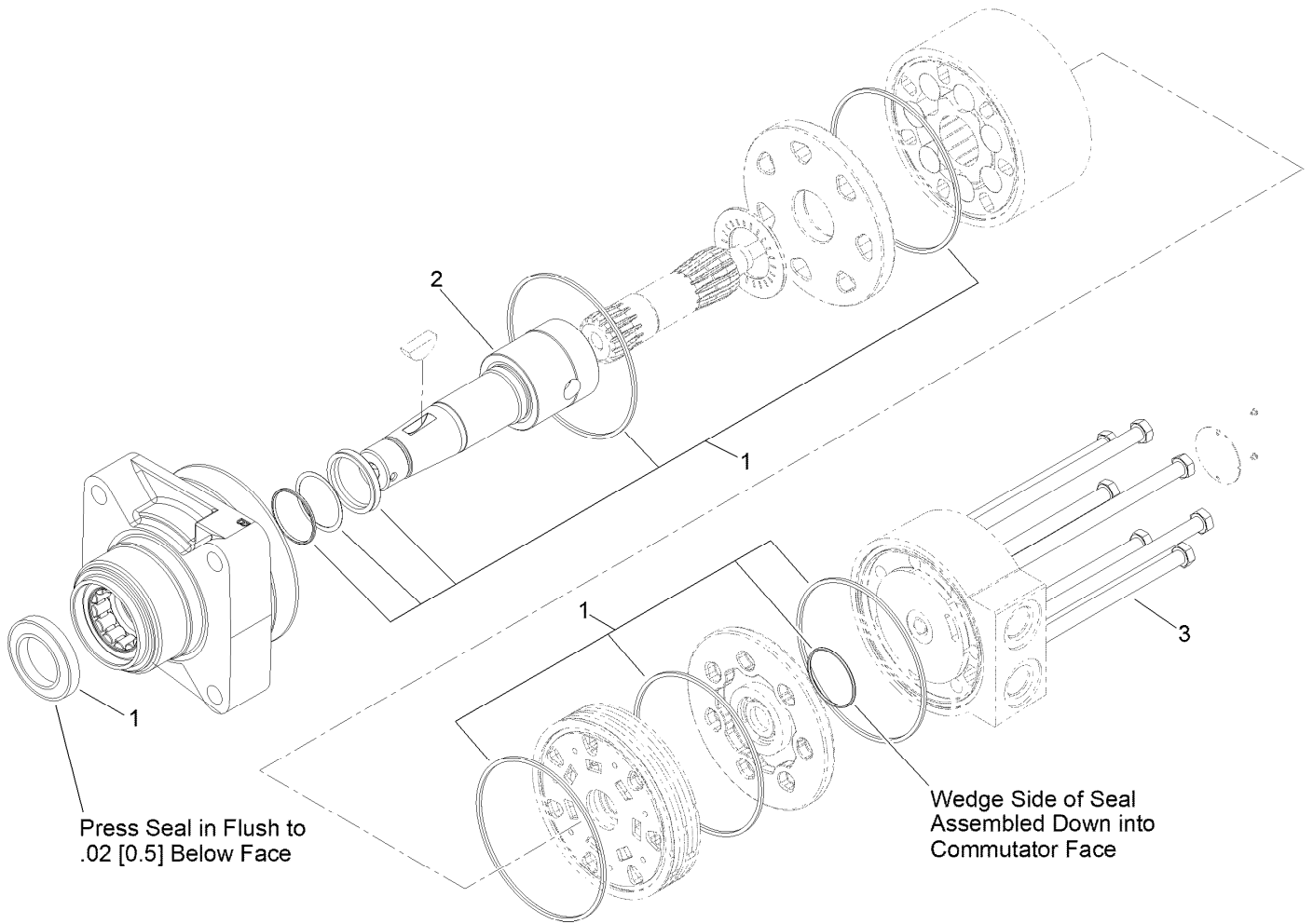
# Hydraulic Pump Assembly No. 106-5705 and 106-5706



# Hydraulic Pump Assembly No. 106-5705 and 106-5706 (continued)

<i>Ref.</i>	<i>Part Number</i>	<i>Qty.</i>	<i>Description</i>
1	100-6110	1	Overhaul Seal Kit
2	94-1913	1	Cylinder Block ASM
3	100-6112	1	Plate-Valve

# Hydraulic Motor Assembly No. 106-7654

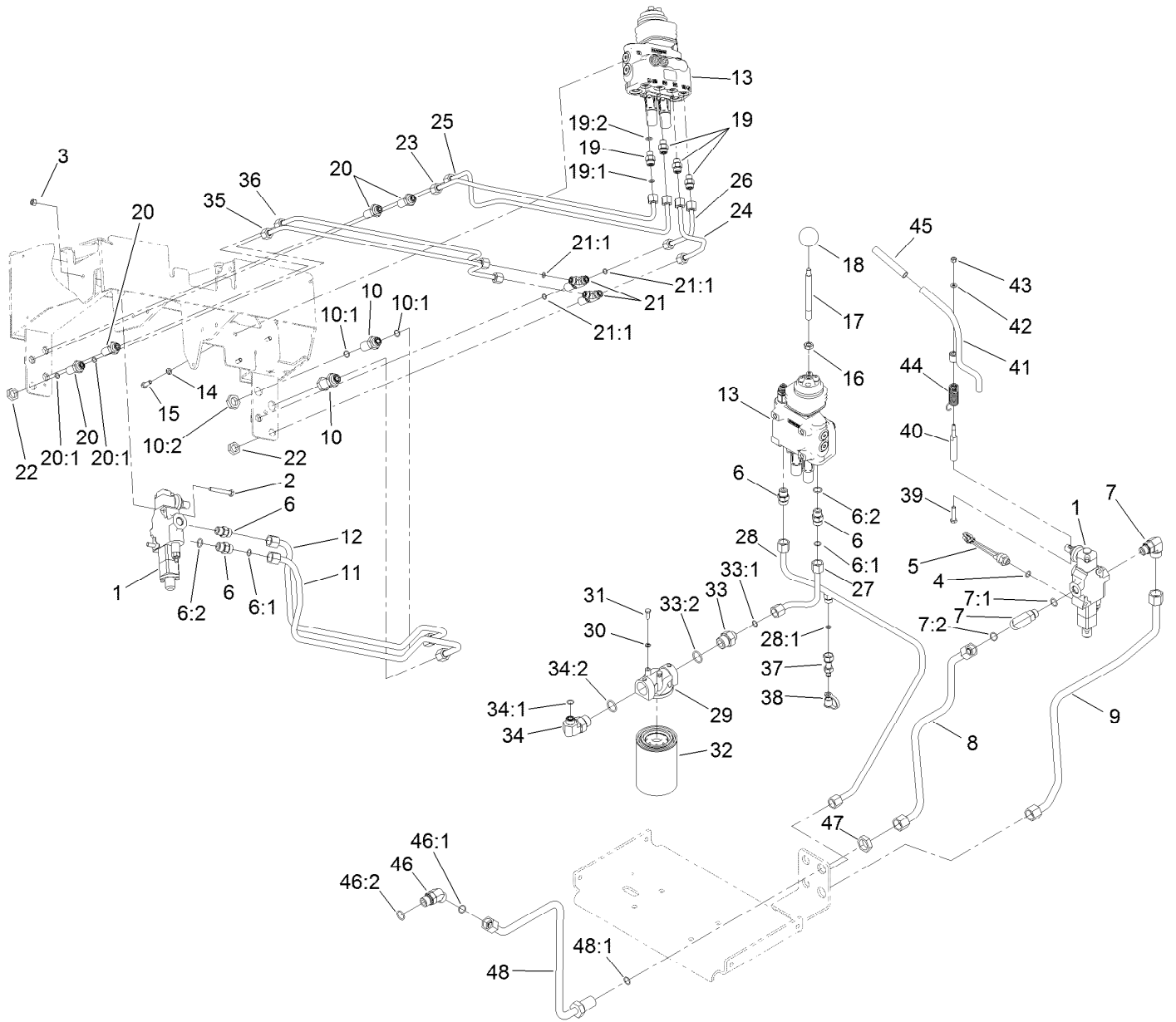




# Hydraulic Motor Assembly No. 106-7654 (continued)

<i>Ref.</i>	<i>Part Number</i>	<i>Qty.</i>	<i>Description</i>
1	100-6110	1	Overhaul Seal Kit
2	94-1913	1	Cylinder Block ASM
3	100-6112	1	Plate-Valve

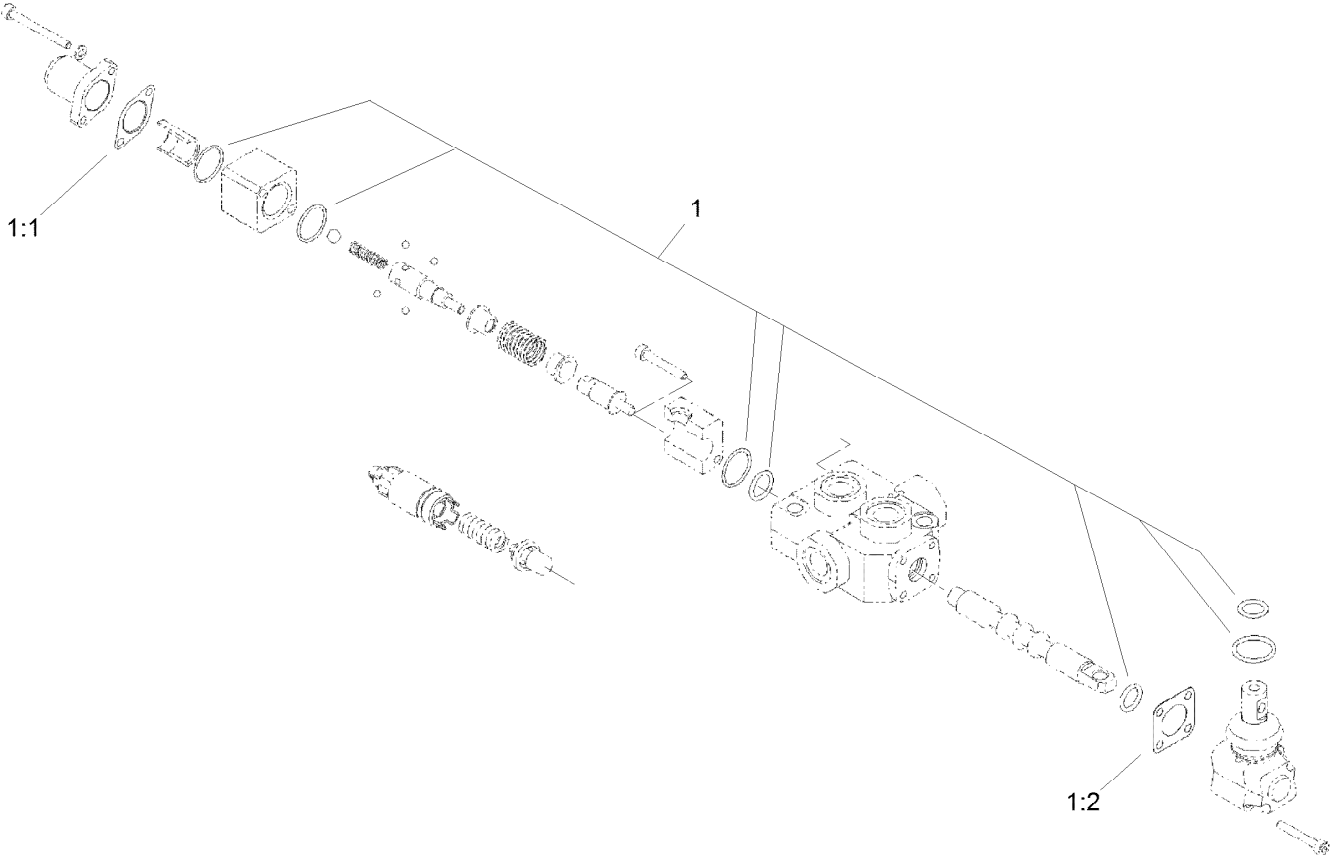
# Main Hydraulic Assembly



## Main Hydraulic Assembly (continued)

<i>Ref.</i>	<i>Part Number</i>	<i>Qty.</i>	<i>Description</i>	<i>Ref.</i>	<i>Part Number</i>	<i>Qty.</i>	<i>Description</i>
1	104-2831	1	1 Spool Valve ASM	24	106-9313	1	Tube-HYD
2	322-11	2	Screw-HH	25	106-9314	1	Tube-HYD
3	3296-29	2	Nut-Lock, NI	26	106-9315	1	Tube-HYD
4	237-42	1	O-Ring	27	106-9385	1	Tube-HYD
5	72-4310	1	Switch-Ball	28	106-9387	1	HYD Tube ASM
6	340-4	4	Fitting-Straight	28:1	237-22	1	O-Ring
6:1	237-30	1	O-Ring	29	92-5821	1	Head-Filter
6:2	237-79	1	O-Ring	30	3253-3	2	Washer-Lock
7	340-153	2	Fitting-Elbow, 90 DEG	31	321-4	2	Screw-HH
7:1	237-79	1	O-Ring	32	86-3010	2	Filter-Oil
7:2	237-151	1	O-Ring	33	100-4240	1	Fitting-STR
8	104-5707	1	Tube-HYD	33:1	237-30	1	O-Ring
9	106-9309	1	Tube-HYD	33:2	237-81	1	O-Ring
10	340-161	2	Fitting-Bulkhead	34	340-131	1	Fitting-HYD, 90 DEG
10:1	237-30	2	O-Ring	34:1	237-30	1	O-Ring
10:2	340-127	1	Nut-Bulkhead	34:2	237-81	1	O-Ring
11	106-9310	1	Tube-HYD	35	106-9316	1	Tube-HYD
12	106-9311	1	Tube-HYD	36	106-9317	1	Tube-HYD
13	106-9307	1	2 Spool Valve ASM	37	86-5480	1	Nipple-Test
14	3253-4	3	Washer-Lock	38	354-79	1	Cap-Dust
15	322-4	3	Screw-HH	39	33114-035	1	Screw-HH
16	51-2070	1	Nut	40	104-2827	1	Spacer-Hiflo
17	108-4675	1	Shaft-Handle, Loader	41	112-2739	1	Lever-Auxiliary
18	233-21	1	Knob	42	3256-16	1	Washer-Flat
19	340-2	4	Fitting-Straight	43	3296-42	1	Nut-Lock, NI
19:1	237-22	1	O-Ring	44	112-2738	1	Spring-Torsion
19:2	237-42	1	O-Ring	45	112-2605	1	Grip-Rubber
20	340-71	4	Fitting-Straight, Bulkhead	46	340-14	1	Fitting-HYD, 45 DEG
20:1	237-22	2	O-Ring	46:1	237-65	1	O-Ring
21	340-68	2	Fitting-Tee, Bulkhead	46:2	237-80	1	O-Ring
21:1	237-22	3	O-Ring	47	340-74	1	Nut-Lock, Bulkhead
22	340-70	6	Nut-Lock	48	106-9333	1	HYD Tube ASM
23	106-9312	1	Tube-HYD	48:1	237-65	1	O-Ring

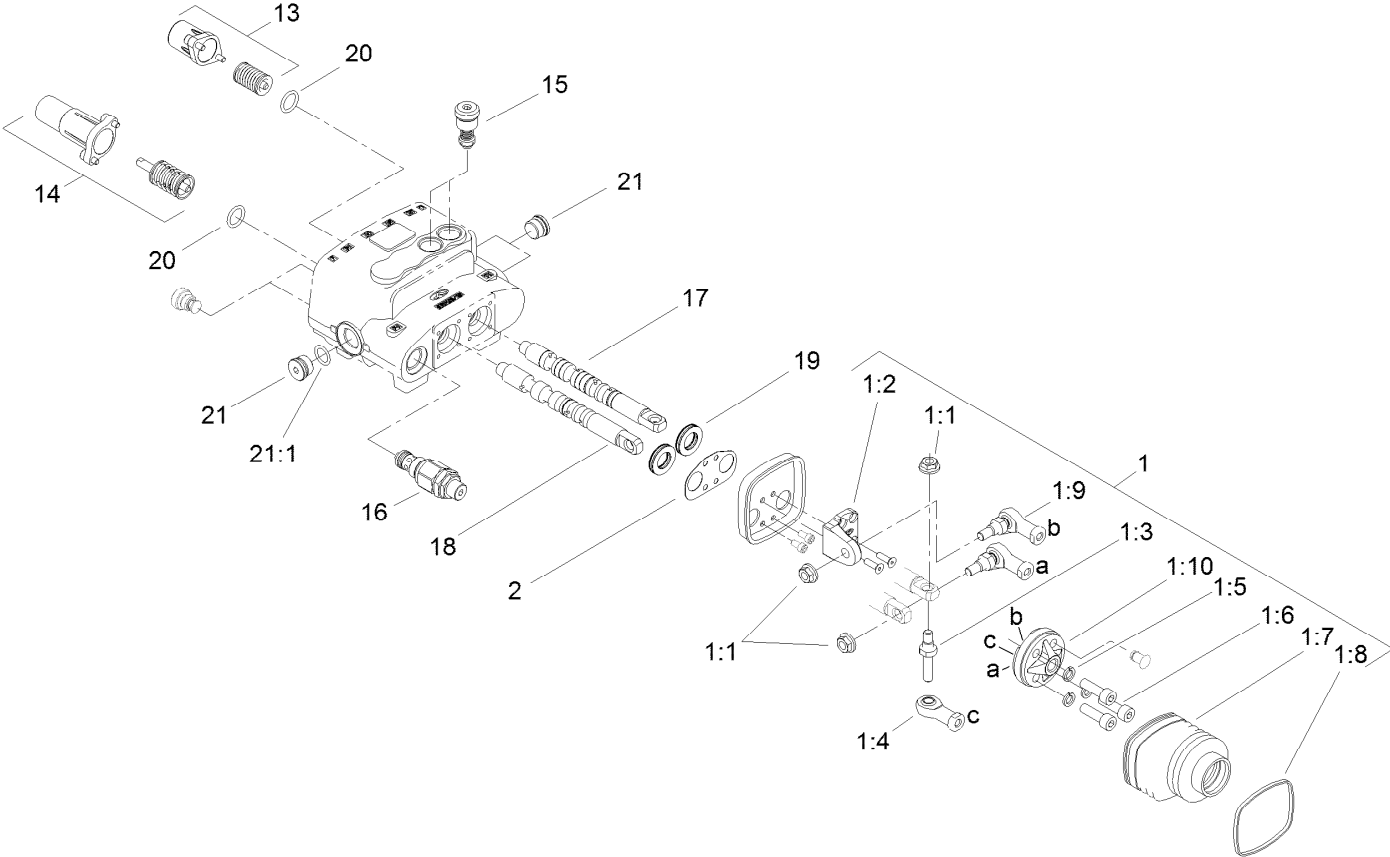
# One Spool Valve Assembly No. 104-2831



# One Spool Valve Assembly No. 104-2831 (continued)

<i>Ref.</i>	<i>Part Number</i>	<i>Qty.</i>	<i>Description</i>
1	99-4390	1	Seal Kit
1:1	99-3074	4	Gasket
1:2	99-3075	8	Gasket

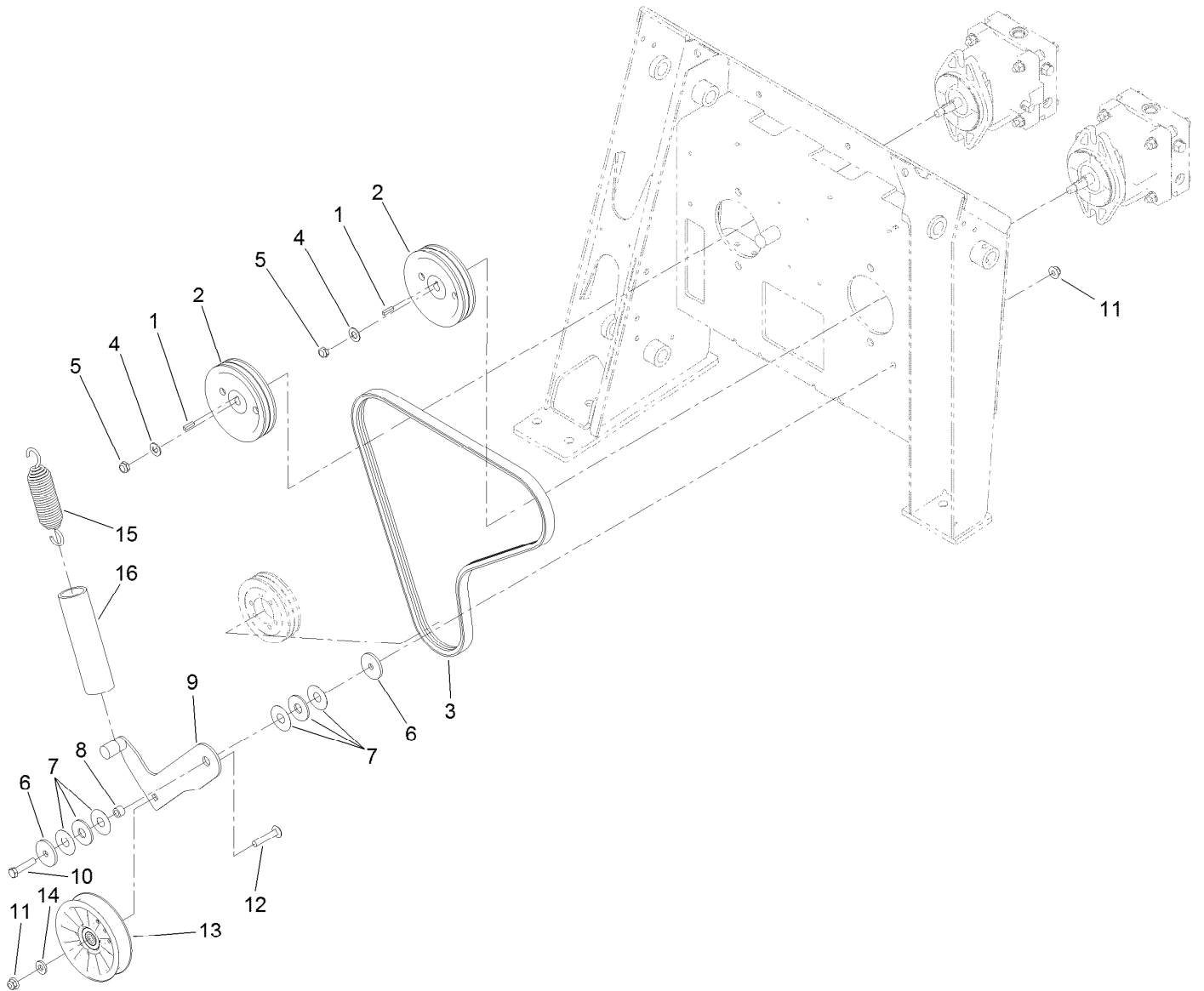
# Two Spool Valve Assembly No. 106-9307



## Two Spool Valve Assembly No. 106-9307 (continued)

<i>Ref.</i>	<i>Part Number</i>	<i>Qty.</i>	<i>Description</i>	<i>Ref.</i>	<i>Part Number</i>	<i>Qty.</i>	<i>Description</i>
1	106-7724	1	Joystick Kit	2	106-7725	1	Seal-Joystick
1:1	98-0668	3	Nut	13	106-7732	1	Valve Spring Kit
1:2	106-7726	1	Pivot-Joystick	14	106-7733	1	Detent Spring Kit
1:3	106-7727	1	Pin-Joystick	15	106-7734	2	Valve-Relief
1:4	106-7728	1	End-Rod	16	106-7735	1	Valve-Relief, Main
1:5	42-9850	3	Washer-Lock, Spring	17	106-7736	1	Spool-Valve
1:6	98-5828	3	Screw-HSH	18	106-7737	1	Spool-Valve
1:7	106-7729	1	Bellow-Rubber	19	106-7738	2	Seal-Valve, Spool
1:8	3290-379	1	Tie-Cable	20	106-7719	2	Seal-Valve
1:9	106-7730	2	Joint-Joystick	21	353-988	3	Plug-Hex
1:10	106-7731	1	Holder-Articulated	21:1	237-79	1	O-Ring

# Hydraulic Pump Pulley Assembly

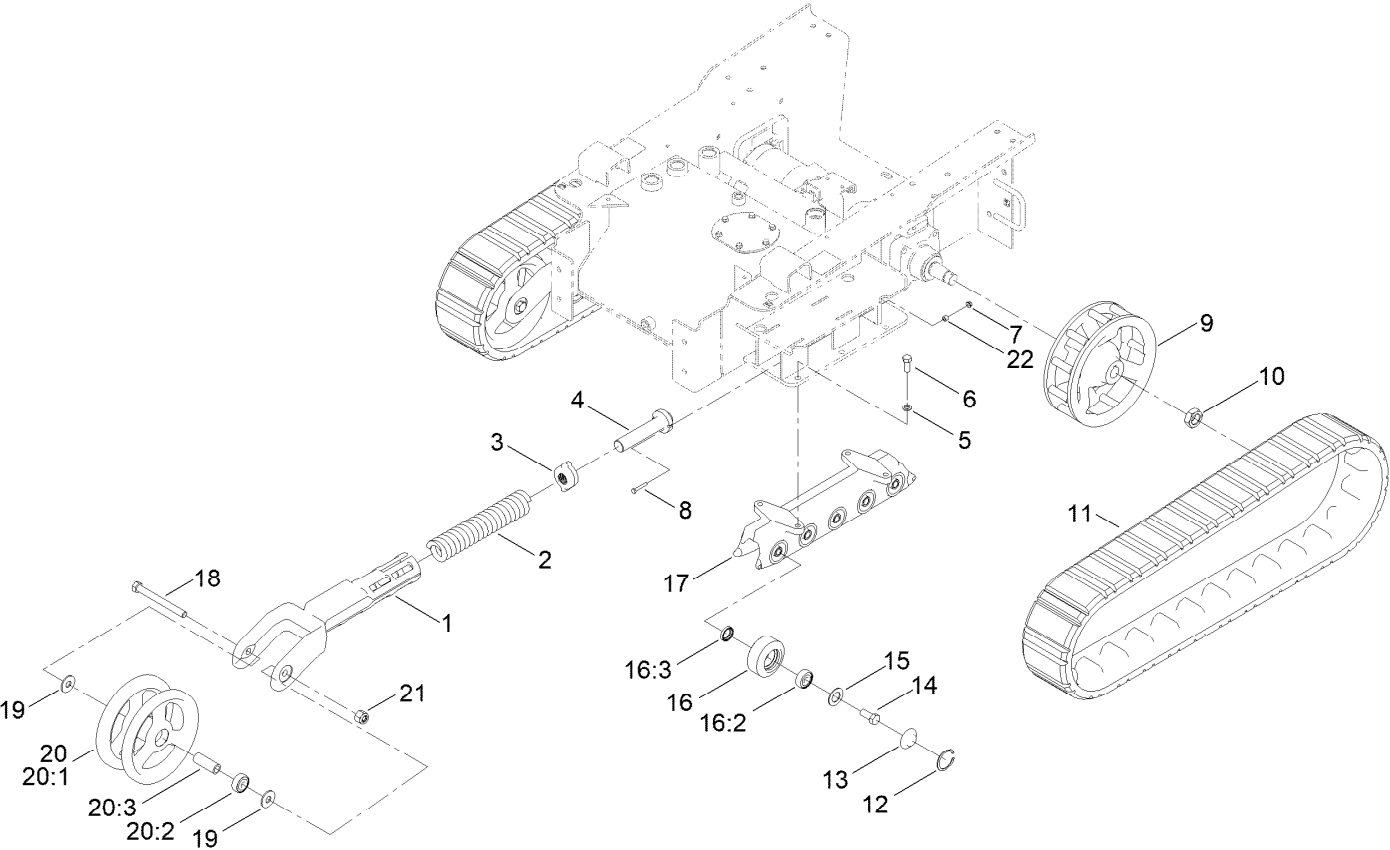




## Hydraulic Pump Pulley Assembly (continued)

<i>Ref.</i>	<i>Part Number</i>	<i>Qty.</i>	<i>Description</i>	<i>Ref.</i>	<i>Part Number</i>	<i>Qty.</i>	<i>Description</i>
1	3-6168	2	Key	9	115-1486	1	Arm-Idler
2	106-5710	2	Pulley-3V	10	323-9	1	Screw-HH
3	95-3611	1	V-Belt	11	104-8301	2	Nut-HF, NI
4	3256-25	2	Washer-Flat	12	117-9971	1	Bolt-Carriage
5	3296-38	2	Nut-Lock, NI	13	119-2358	1	Pulley-Idler
6	115-1485	2	Washer-Plain	14	43-0940	1	Spacer
7	114-0463	2	Washer-Friction, Composite	15	105-0383	1	Spring-Extension
8	115-4986	1	Spacer	16	112-2409	1	Retainer-Spring

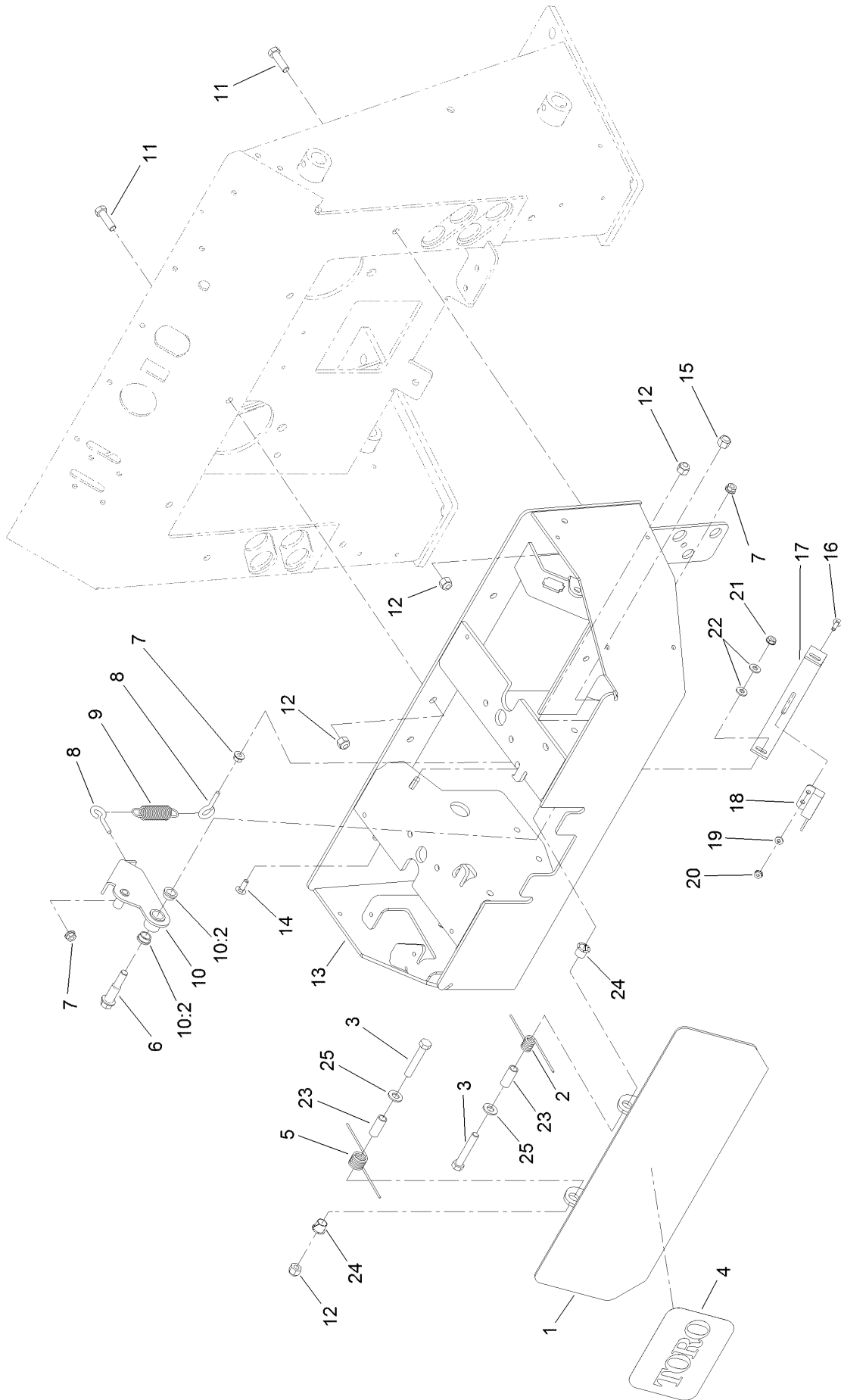
# Track and Traction Assembly



## Track and Traction Assembly (continued)

<i>Ref.</i>	<i>Part Number</i>	<i>Qty.</i>	<i>Description</i>	<i>Ref.</i>	<i>Part Number</i>	<i>Qty.</i>	<i>Description</i>
1	108-4691-03	2	Arm-Tensioner	15	106-7585	20	Gasket-Bogie
2	95-3624	2	Spring-Compression	16	138-0782	20	Road Wheel ASM
3	108-4664	2	Block-Tensioner	16:2	120-5378	1	Bearing-Ball
4	98-9846	2	Bolt-Tensioner	16:3	253-118	1	Seal-Oil
5	3253-7	8	Washer-Lock	17	117-1310-0P	2	Guide-Track, Tx Narrow [prime
6	325-5	8	Screw-HH	18	327-17	2	Screw-HH
7	32128-32	2	Nut-HHF	19	3256-7	4	Washer-Flat
8	321-37	2	Screw-HH	20	104-5745	2	Tensioner Wheel ASM
9	108-5643-03	2	Wheel-Drive	20:1	104-5747-03	1	Wheel-Tensioner
10	107-9319	2	Nut-Hex	20:2	98-9835	1	Spacer-Wheel, Tensioner
11	136-5847	2	Track	20:3	120-5378	2	Bearing-Ball
12	106-7595	20	Ring-Snap, Internal	21	3296-24	2	Nut-Hex
13	106-7557	20	Cap-Wheel, Bearing	22	98-4799	2	Spacer
14	327-4	20	Screw-HH				

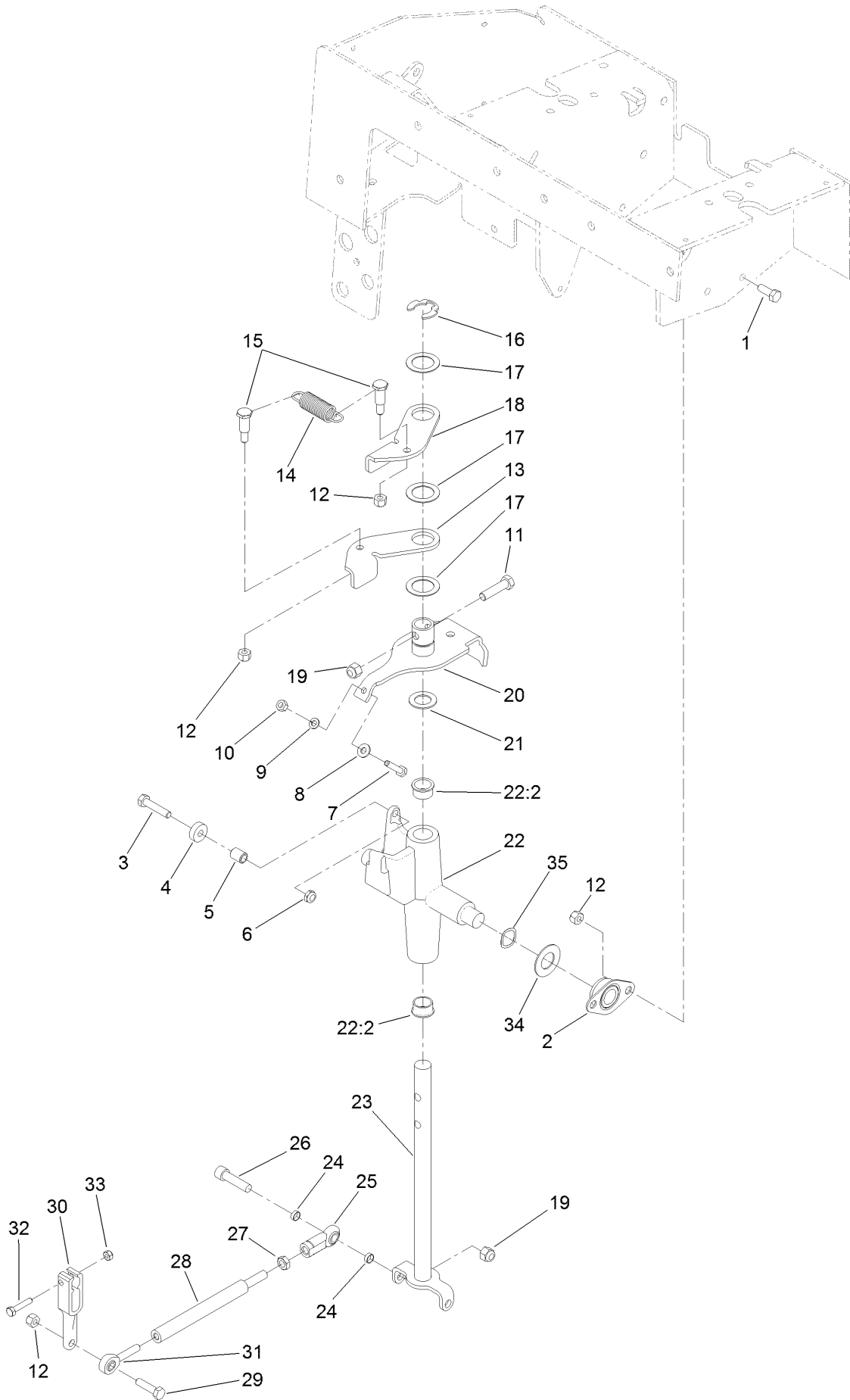
# Control Panel Assembly



## Control Panel Assembly (continued)

<i>Ref.</i>	<i>Part Number</i>	<i>Qty.</i>	<i>Description</i>	<i>Ref.</i>	<i>Part Number</i>	<i>Qty.</i>	<i>Description</i>
1	112-2786-03	1	Plate-Reverse	13	110-0228-01	1	Panel-Control
2	98-8425	1	Spring-Torsion, LH	14	3229-1	2	Screw-CARR
3	323-11	2	Screw-HH	15	3296-6	1	Nut-Lock
4	105-1217	1	Decal	16	3229-20	2	Screw-CARR
5	98-8424	1	Spring-Torsion, RH	17	100-1263	1	Plate-Switch
6	66-0560	1	Bolt-Shoulder	18	100-1270	1	Switch-Proximity
7	32128-32	4	Nut-HHF	19	3256-51	2	Washer-Flat
8	71-2870	2	Bolt-Eye	20	32149-7	2	Nut-Keps
9	108-4724	1	Spring-Extension	21	32149-2	2	Nut-Keps
10	100-4203	1	Neutral Centering Lever ASM	22	3256-22	4	Washer-Flat
10:2	256-156	2	Bushing-Flange	23	114-1337	2	Spacer-Spring
11	323-7	5	Screw-HH	24	256-257	2	Bushing-Nyliner
12	3296-39	7	Nut-Lock, NI	25	3256-24	2	Washer-Plain

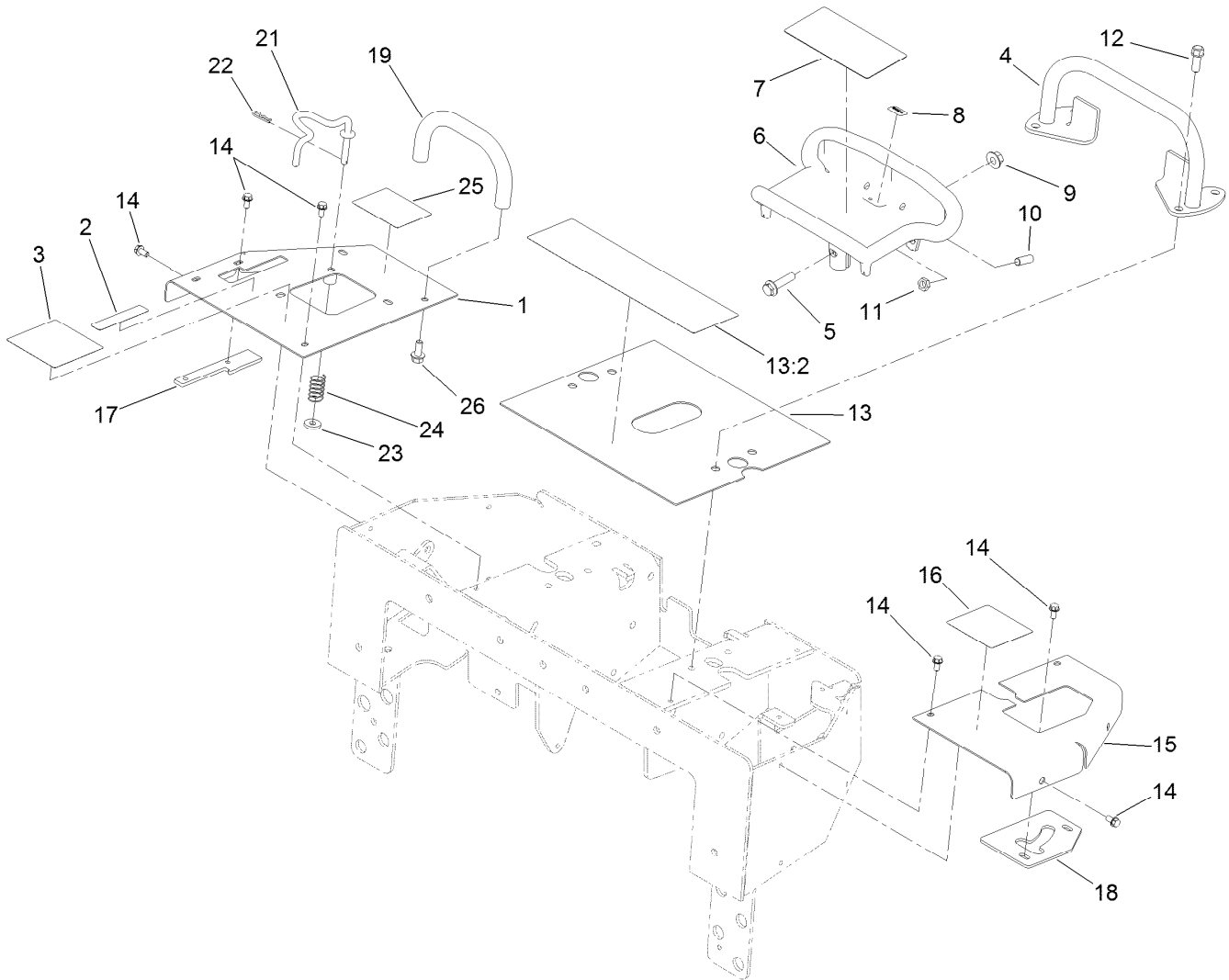
# Traction Control Assembly



## Traction Control Assembly (continued)

<i>Ref.</i>	<i>Part Number</i>	<i>Qty.</i>	<i>Description</i>	<i>Ref.</i>	<i>Part Number</i>	<i>Qty.</i>	<i>Description</i>
1	322-4	4	Screw-HH	19	3296-39	3	Nut-Lock, NI
2	27-2320	2	Bearing	20	112-2783	1	Lever-Pivot
3	322-7	1	Screw-HH	21	257-8	1	Washer-Thrust
4	251-259	1	Bearing-Ball	22	106-5737	1	Control Support ASM
5	88-7450	1	Spacer-Lever, Control	22:2	256-252	2	Bearing-Flange
6	3296-47	1	Nut-Lock,NI	23	117-6335	1	Rod-Drive
7	114-0282	1	Screw-HH	24	117-9915	4	Spacer
8	3256-22	1	Washer-Flat	25	103-1167	2	Joint-Ball End, LH
9	3253-3	1	Washer-Lock	26	3274-2	2	Screw-HSH
10	3217-5	1	Nut-Hex	27	3220-16	2	Nut-Hex Jam, LH
11	323-8	1	Screw-HH	28	117-9900	2	Rod-Linkage
12	3296-29	8	Nut-Lock, NI	29	322-6	2	Screw-HH
13	98-8407	1	Lever-Return, RH	30	117-3964-03	2	Arm-Control, Pump
14	108-4724	1	Spring-Extension	31	117-9969	2	Bearing-Rod End, RH
15	63-2650	2	Screw-Shoulder	32	33113-030	2	Screw-HH
16	32151-91	1	Ring-Retaining	33	33023-00	2	Nut-Lock
17	108-9743	3	Washer-Plain	34	3256-39	2	Washer-Flat
18	98-8408	1	Lever-Return, LH	35	95-3703	2	Washer-Spring, Wave

# Control Handle and Reference Bar Assembly

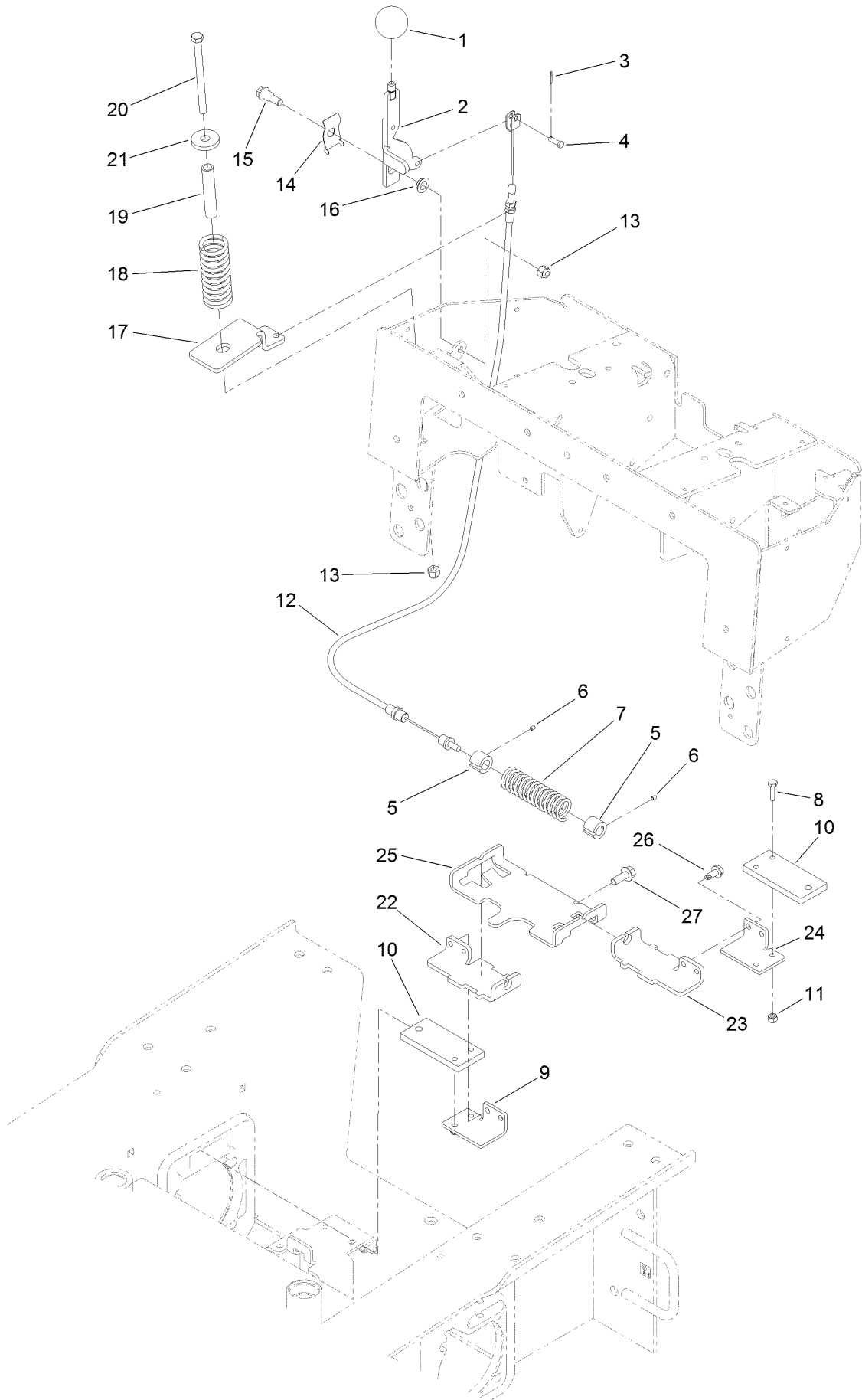




## Control Handle and Reference Bar Assembly (continued)

<i>Ref.</i>	<i>Part Number</i>	<i>Qty.</i>	<i>Description</i>	<i>Ref.</i>	<i>Part Number</i>	<i>Qty.</i>	<i>Description</i>
1	115-4836-01	1	Panel-RH	13:2	115-4860	1	Decal-Danger
2	115-4859	1	Decal-Brake	14	9266714	11	Screw-HWH
3	115-4857	1	Decal-Control, Loader	15	112-2737-01	1	Panel-LH
4	106-7715	1	Bar-Reference	16	115-4861	1	Decal-Control, Auxiliary
5	3234-18	1	Screw-HHF	17	112-2691	1	Plate-Locking, Brake
6	120-5380-03	1	Handle-Control	18	112-2749-01	1	Plate-Stop
7	115-4020	1	Decal-Traction	19	112-2620	1	Bar-Reference
8	98-1459	1	Decal	21	115-4580	1	Rod-Interlock
9	32128-43	1	Nut-Flange	22	3290-307	1	Pin-Cotter
10	3247-6	2	Screw-Set	23	88-7200	1	Washer-Flat
11	3218-3	2	Nut-Jam	24	85-6750	1	Spring-Control
12	95-1726	4	Screw-Taptite	25	115-4862	1	Decal-Loader Lock
13	108-4643	1	Center Panel ASM	26	3234-5	2	Screw-HHF

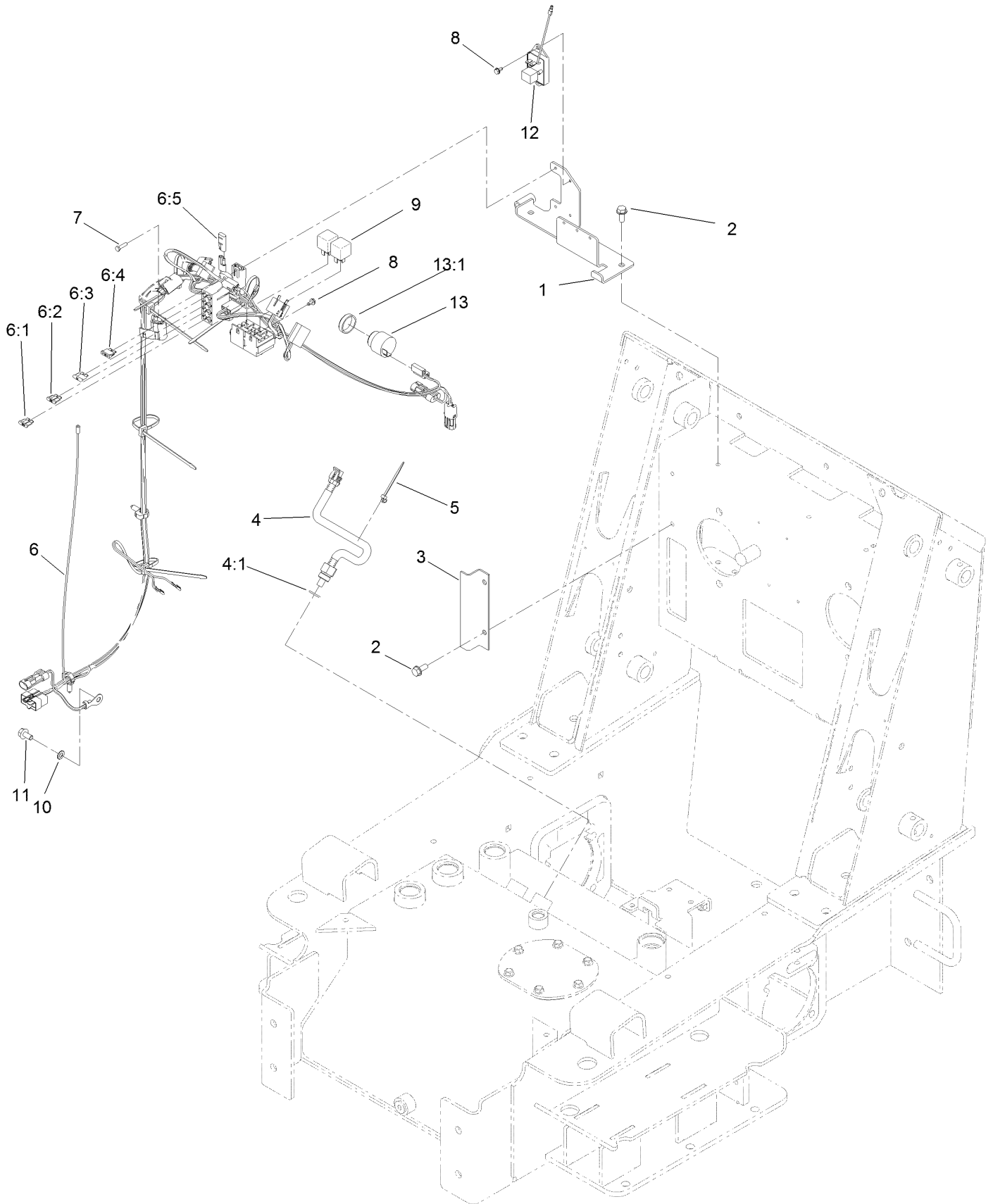
# Brake Handle and Bracket Assembly



## Brake Handle and Bracket Assembly (continued)

<i>Ref.</i>	<i>Part Number</i>	<i>Qty.</i>	<i>Description</i>	<i>Ref.</i>	<i>Part Number</i>	<i>Qty.</i>	<i>Description</i>
1	233-21	1	Knob	15	94-6177	1	Bolt-Shoulder
2	112-2694-03	1	Handle-Brake	16	93-2368	1	Bushing-Flange
3	3272-1	1	Pin-Cotter	17	115-4854-03	1	Bracket-Cable, Spring
4	283-67	1	Pin-Clevis	18	114-1254	1	Spring-Compression
5	100-6274	2	Tube-Guide	19	114-1255	1	Spacer-Spring
6	3245-20	2	Screw-Set	20	323-39	1	Screw-HH
7	100-1678	1	Spring	21	98-0691	1	Washer-Hardened
8	321-6	4	Screw-HH	22	112-2788-03	1	Bracket-Mounting, Brake RH
9	112-2789-03	1	Bar-Link, Brake RH	23	112-2733-03	1	Bracket-Mounting, Brake LH
10	112-2735-03	2	Plate-Brake	24	112-2734-03	1	Bar-Link, Brake LH
11	3296-42	4	Nut-Lock, NI	25	110-0224-03	1	Support-Bar, Brake
12	112-2791	1	Cable-Brake	26	32104-32	4	Screw-HWH
13	3296-39	2	Nut-Lock, NI	27	3234-11	2	Screw-HHF
14	112-2695	1	Spring-Leaf				

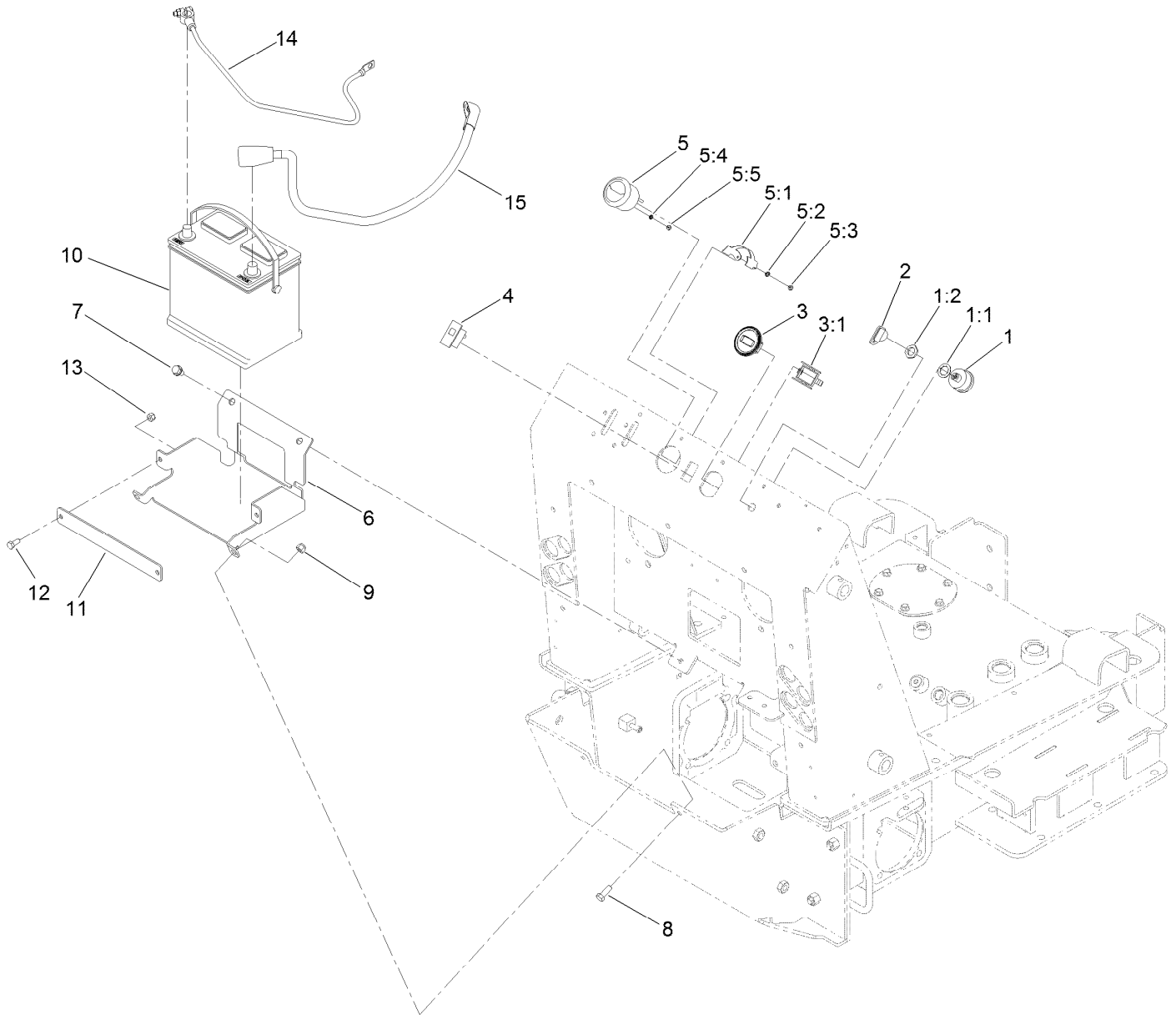
# Wire Harness, Temperature Sensor and Shield Assembly



## Wire Harness, Temperature Sensor and Shield Assembly (continued)

<i>Ref.</i>	<i>Part Number</i>	<i>Qty.</i>	<i>Description</i>	<i>Ref.</i>	<i>Part Number</i>	<i>Qty.</i>	<i>Description</i>
1	117-1735-03	1	Bracket-Fuse/Relay	6:4	109355	2	Fuse-Blade, 15 Amp
2	32144-11	4	Screw-HWH	6:5	116-0053	1	Cap-Plug
3	100-6117-03	1	Shield-Wiring	7	32104-4	2	Screw
4	98-2765	1	Switch-Temperature	8	104-2065	4	Screw-HWH
4:1	237-79	1	O-Ring	9	98-7249	2	Relay
5	3290-381	3	Tie-Cable	10	3255-8	1	Washer-Lock
6	117-1732	1	Harness-Wire	11	33104-016	1	Screw-HHF
6:1	109103	1	Fuse-Blade, 30 Amp	12	99-7422	1	Module-Delay, Ignition
6:2	109102	1	Fuse-Blade, 25 Amp	13	80-9330	1	Audio Alarm ASM
6:3	218-578	1	Fuse-Blade, 10 Amp	13:1	104-5107	1	Nut-Plastic, Knurled

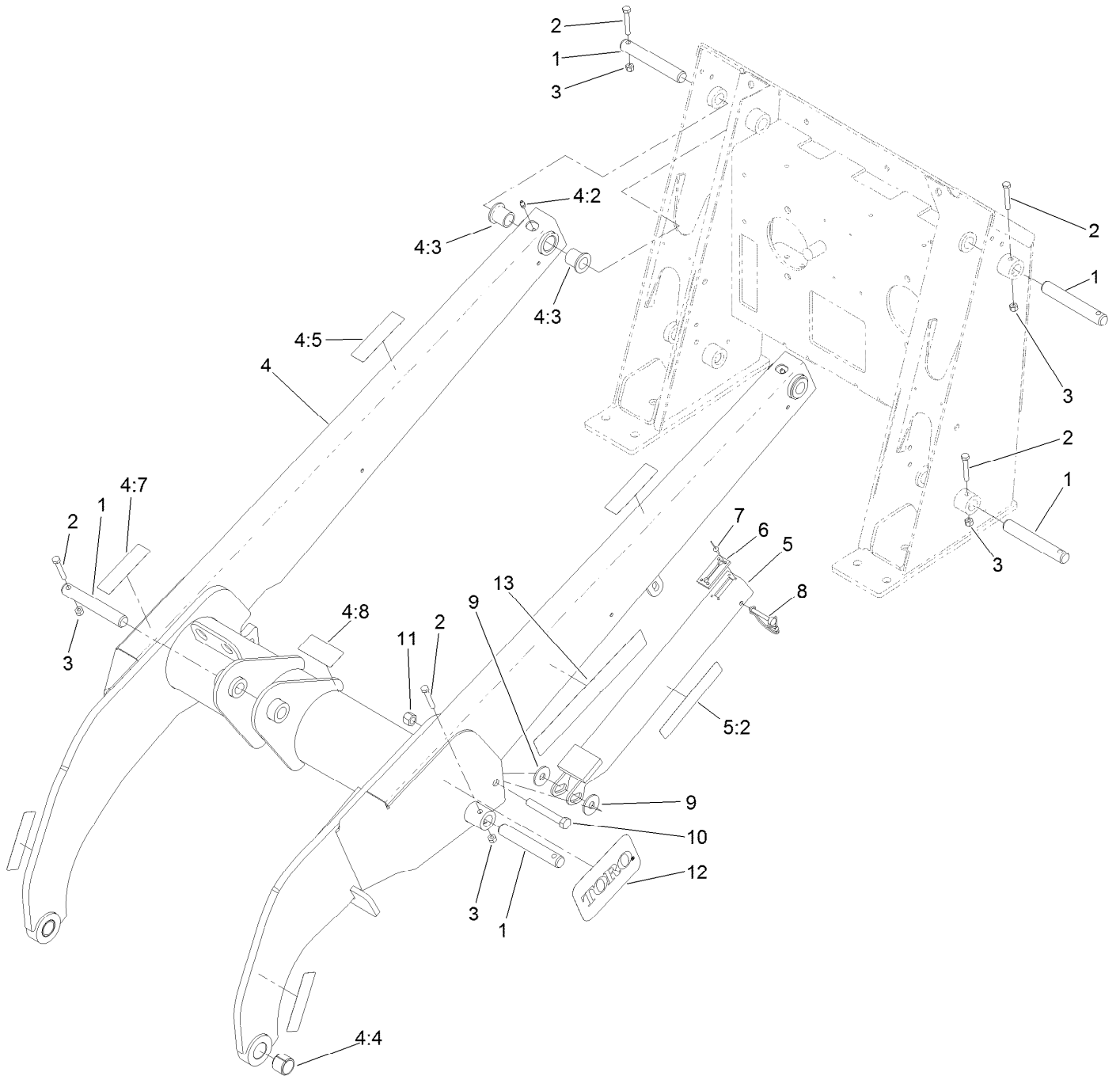
# Battery, Key Switch and Fuel Gauge Assembly



## Battery, Key Switch and Fuel Gauge Assembly (continued)

<i>Ref.</i>	<i>Part Number</i>	<i>Qty.</i>	<i>Description</i>	<i>Ref.</i>	<i>Part Number</i>	<i>Qty.</i>	<i>Description</i>
1	88-9830	1	Key Switch ASM	5:5	3217-16	3	Nut-Hex
1:1	3254-5	1	Washer-Lock	6	106-9390-03	1	Tray-Mounting, Battery
1:2	218-461	1	Nut-HH	7	32144-69	2	Screw-HWHTF
2	63-8360	3	Key-Ignition	8	323-6	2	Screw-HH
3	104-7427	1	Inductive Hourmeter ASM	9	3296-39	2	Nut-Lock, NI
3:1	104-4234	1	Clip-Mounting	10	104-9979	1	Battery
4	104-2839	1	Light-Temp, Oil	11	105-0371-03	1	Clamp-Battery
5	66-2940	1	Gauge-Fuel	12	322-3	2	Screw-HH
5:1	100-6147	1	Bracket-Mounting, Gauge	13	3296-29	2	Nut-Lock, NI
5:2	3254-1	2	Washer-Lock, Int	14	106-5708	1	Cable-Battery, Negative
5:3	3217-27	2	Nut-Hex	15	106-5707	1	Cable-Battery, Positive
5:4	3255-24	3	Washer-Lock / EXT				

# Loader Arm Assembly

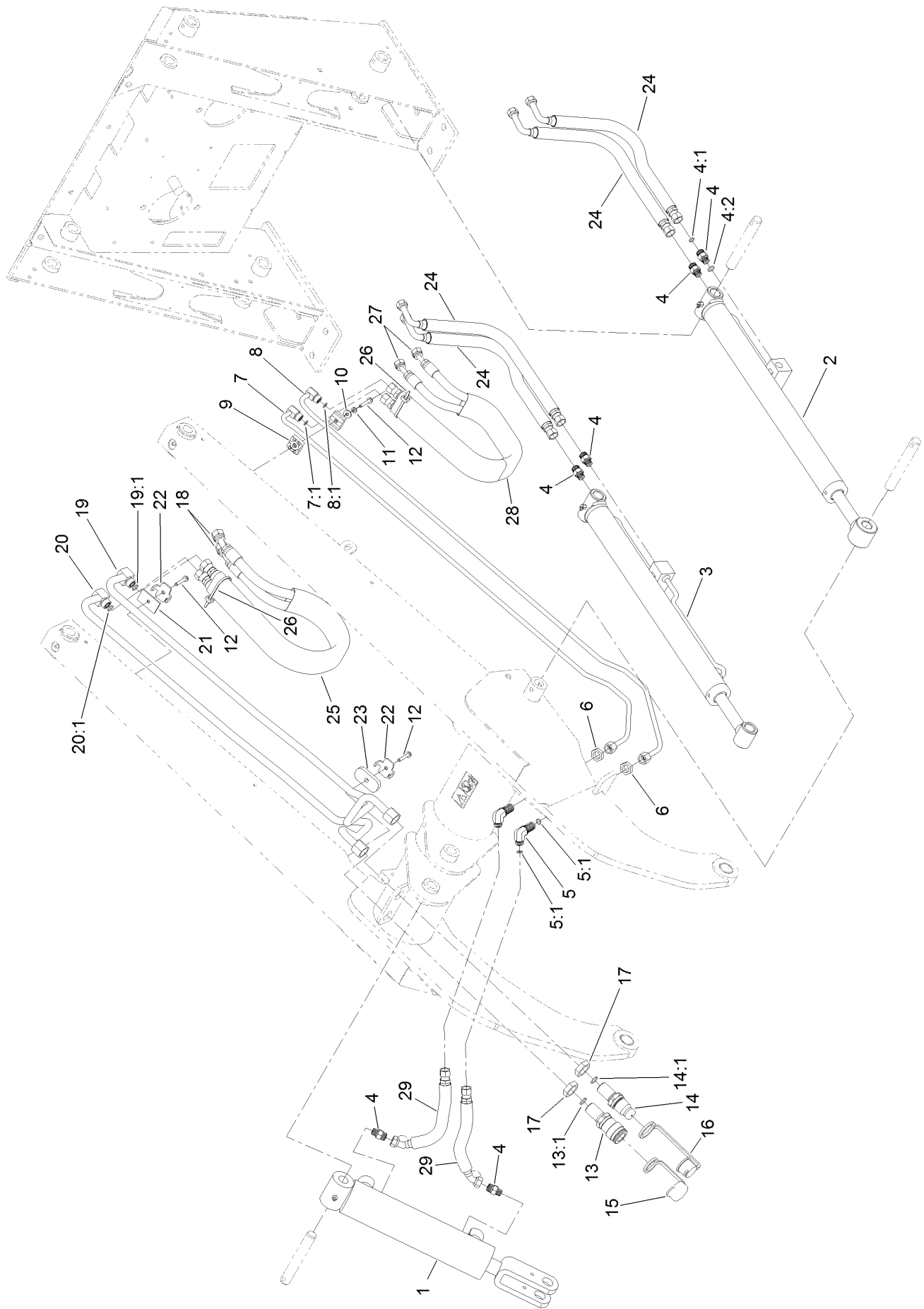




## Loader Arm Assembly (continued)

<i>Ref.</i>	<i>Part Number</i>	<i>Qty.</i>	<i>Description</i>	<i>Ref.</i>	<i>Part Number</i>	<i>Qty.</i>	<i>Description</i>
1	104-2849	7	Pin-Locking	5	108-4639	1	Locking Arm ASM
2	322-10	7	Screw-HH	5:2	115-4858	2	Decal-Danger
3	3296-29	7	Nut-Lock, NI	6	98-0083	1	Stop-Rubber
4	108-4638	1	Loader Arm ASM	7	95-1687	4	Rivet
4:2	302-5	2	Fitting-Grease	8	100-1663	1	Pin-Hitch
4:3	95-3577	4	Bushing	9	68-1440	2	Washer-Rubber
4:4	98-4871	2	Bushing-Tension	10	325-14	1	Screw-HH
4:5	100-8821	4	Decal-Warning, Pinch	11	3296-23	1	Nut-Lock, NI
4:7	115-4855	1	Decal-Caution	12	105-1217	2	Decal
4:8	100-8822	1	Decal-No Rider	13	115-4866	2	Decal

# Loader Arm Hydraulic Assembly

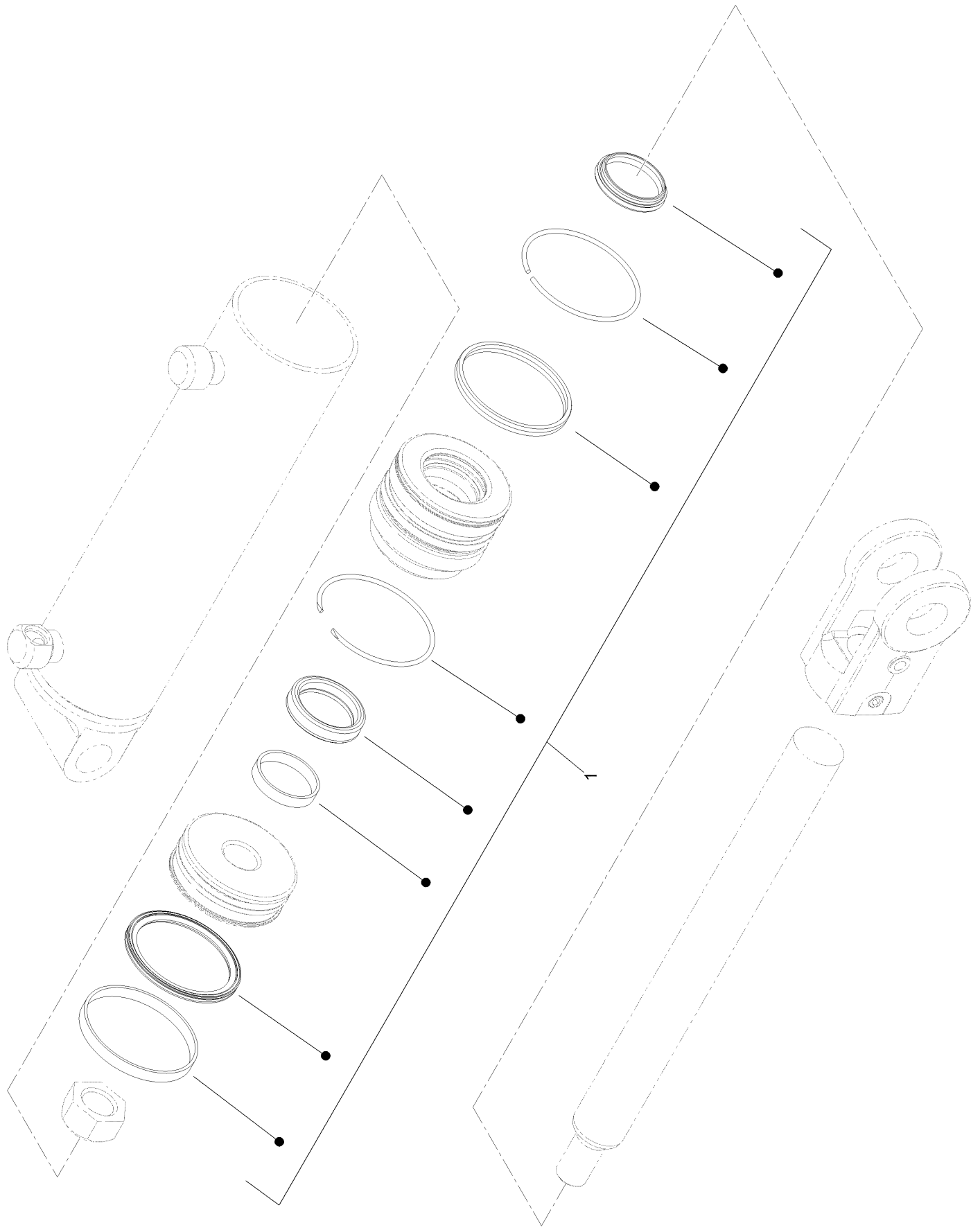


## Loader Arm Hydraulic Assembly (continued)

<i>Ref.</i>	<i>Part Number</i>	<i>Qty.</i>	<i>Description</i>	<i>Ref.</i>	<i>Part Number</i>	<i>Qty.</i>	<i>Description</i>
1	139-0778	1	HYD CYL ASM	14:1	237-65	1	O-Ring
2	139-0776	1	LH HYD CYL ASM	14:2	100-6120	1	Seal Kit ●
3	139-0777	1	RH HYD CYL ASM	15	100-8816	1	Cap-Dust, Coupler
4	340-2	6	Fitting-Straight	16	100-8815	1	Cap-Dust, Nipple
4:1	237-22	1	O-Ring	17	340-74	2	Nut-Lock, Bulkhead
4:2	237-42	1	O-Ring	18	98-0242	2	Hose-HYD
5	340-154	2	Union-Bulkhead	19	112-2563	1	HYD Tube ASM
5:1	237-22	2	O-Ring	19:1	237-30	1	O-Ring
6	340-70	2	Nut-Lock	20	108-6319	1	HYD Tube ASM
7	106-9364	1	HYD Tube ASM	20:1	237-30	1	O-Ring
7:1	237-22	1	O-Ring	21	106-9366	1	Spacer-Hardline
8	106-9365	1	HYD Tube ASM	22	98-0237	2	Plate-Clamp, Tube
8:1	237-22	1	O-Ring	23	112-2565	1	Plate-Hardline
9	56-7973	2	Clamp-Tube	24	98-0216	4	Hose-HYD
10	3256-2	1	Washer-Flat	25	100-6128	1	Sleeve-Protective
11	3253-3	1	Washer-Lock	26	3290-378	2	Tie-Cable
12	94-2691	3	Screw-HWH Taptite	27	98-0213	2	Hose-HYD
13	105-8394	1	Bulkhead Coupler ASM	28	100-6127	1	Sleeve-Protective
13:1	237-65	1	O-Ring	29	98-0207	2	Hose-HYD
14	105-8395	1	Bulkhead Nipple ASM				

● Not illustrated

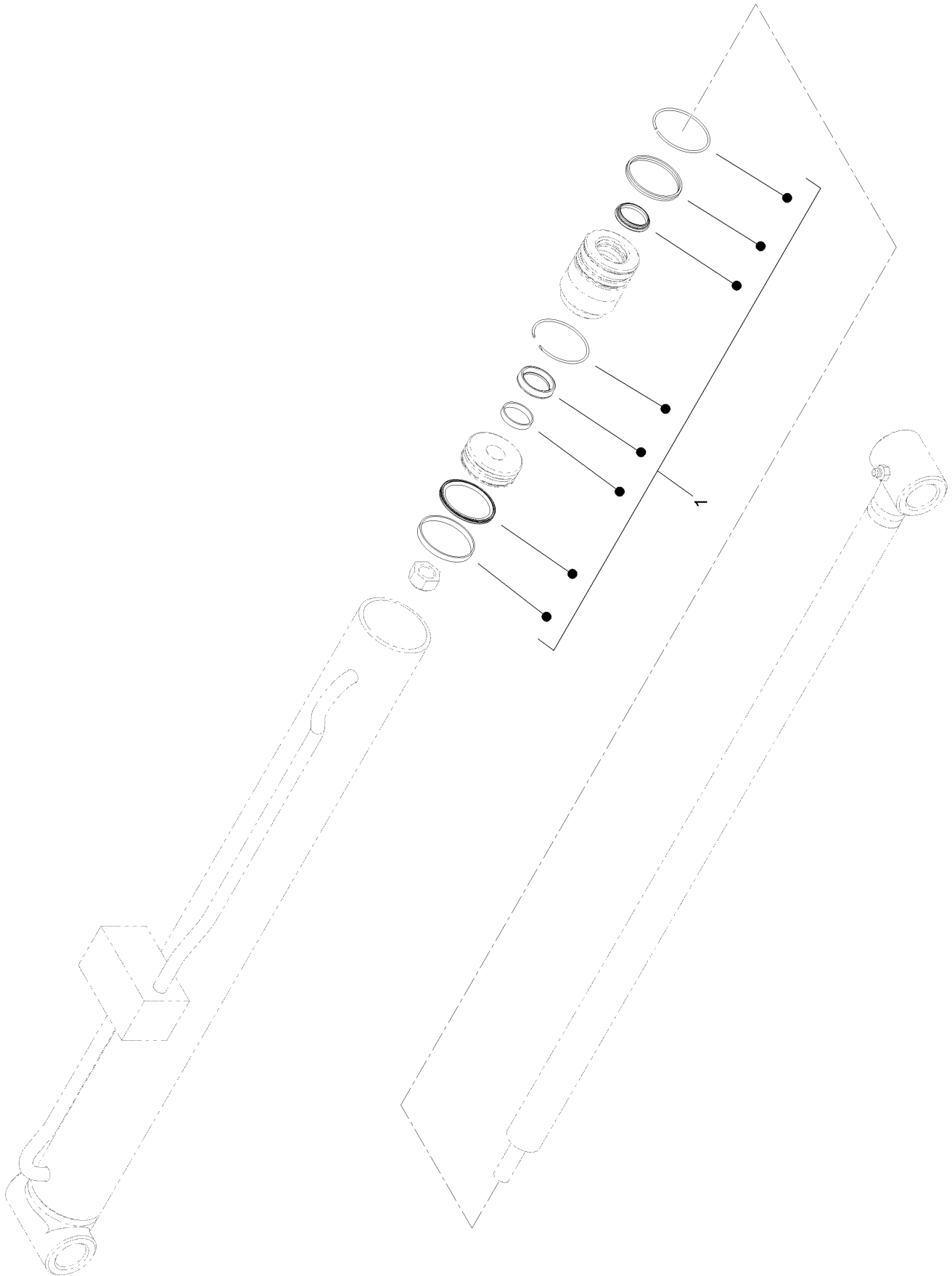
# Hydraulic Cylinder Assembly No. 139-0778



# Hydraulic Cylinder Assembly No. 139-0778 (continued)

<i>Ref.</i>	<i>Part Number</i>	<i>Qty.</i>	<i>Description</i>
1	139-0808	1	Seal Kit

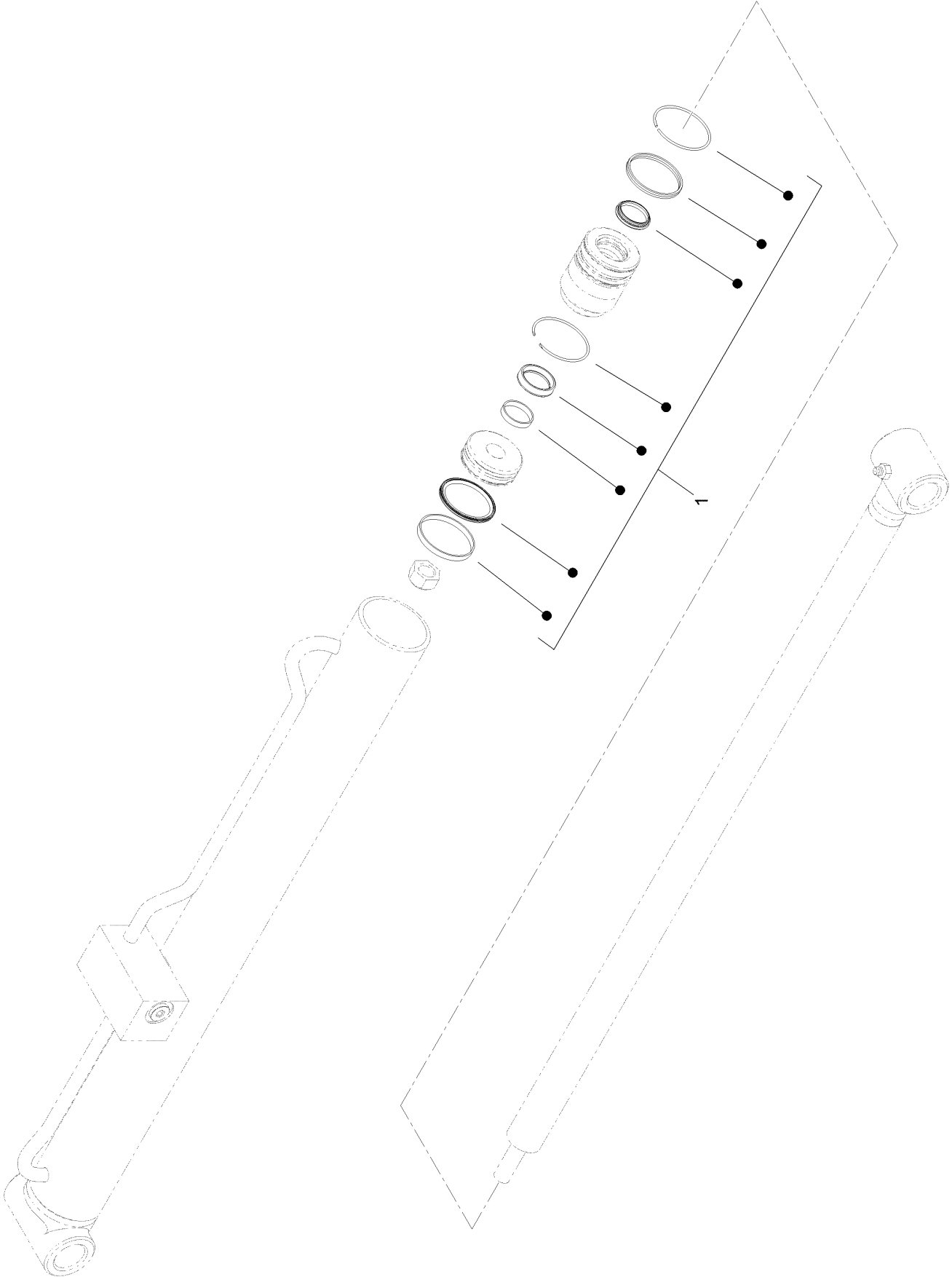
# Hydraulic Cylinder Assembly No. 139-0777



# Hydraulic Cylinder Assembly No. 139-0777 (continued)

<i>Ref.</i>	<i>Part Number</i>	<i>Qty.</i>	<i>Description</i>
1	139-0807	1	Seal Kit

# Hydraulic Cylinder Assembly No. 139-0776

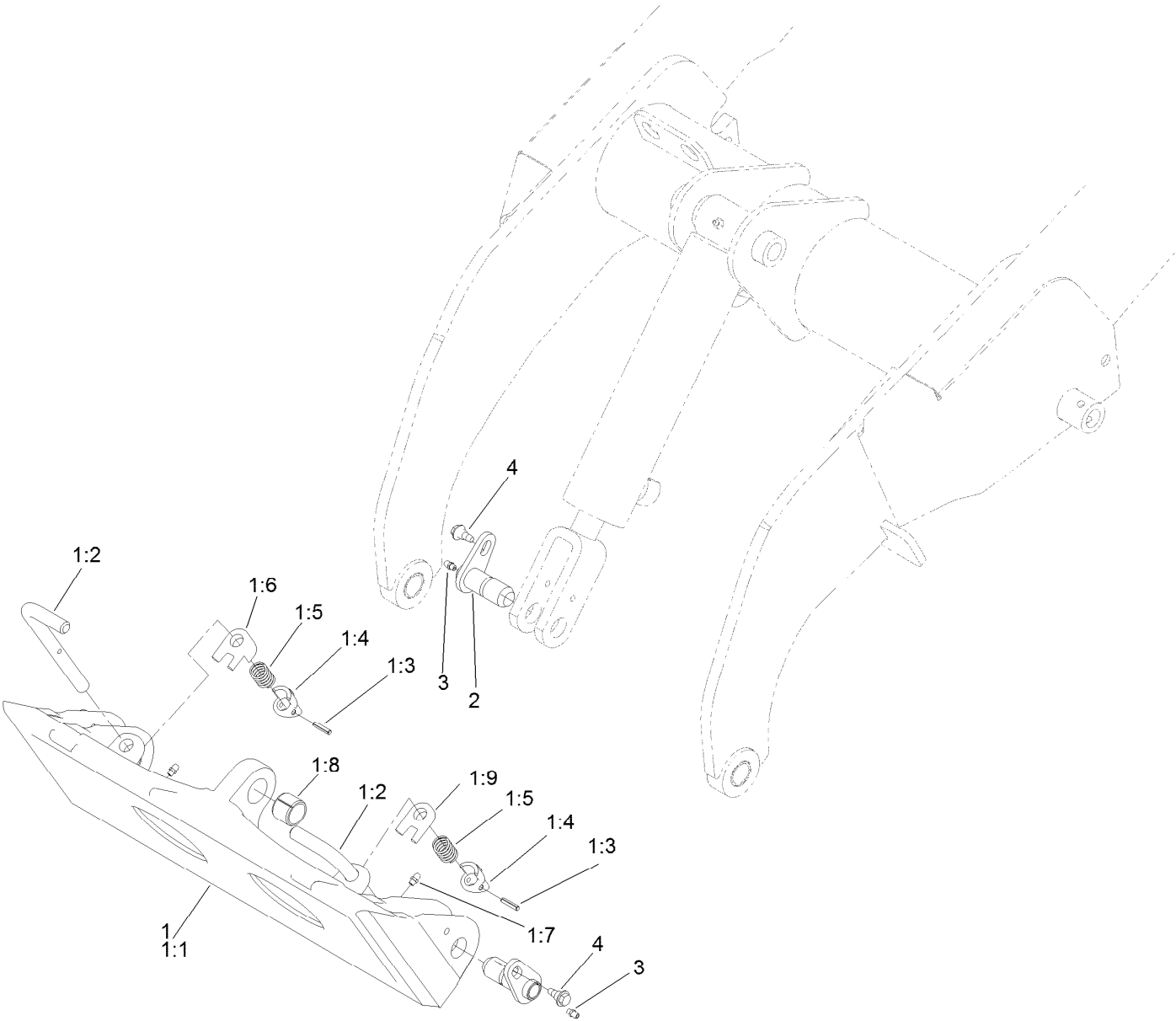




# Hydraulic Cylinder Assembly No. 139-0776 (continued)

<i>Ref.</i>	<i>Part Number</i>	<i>Qty.</i>	<i>Description</i>
1	139-0807	1	Seal Kit

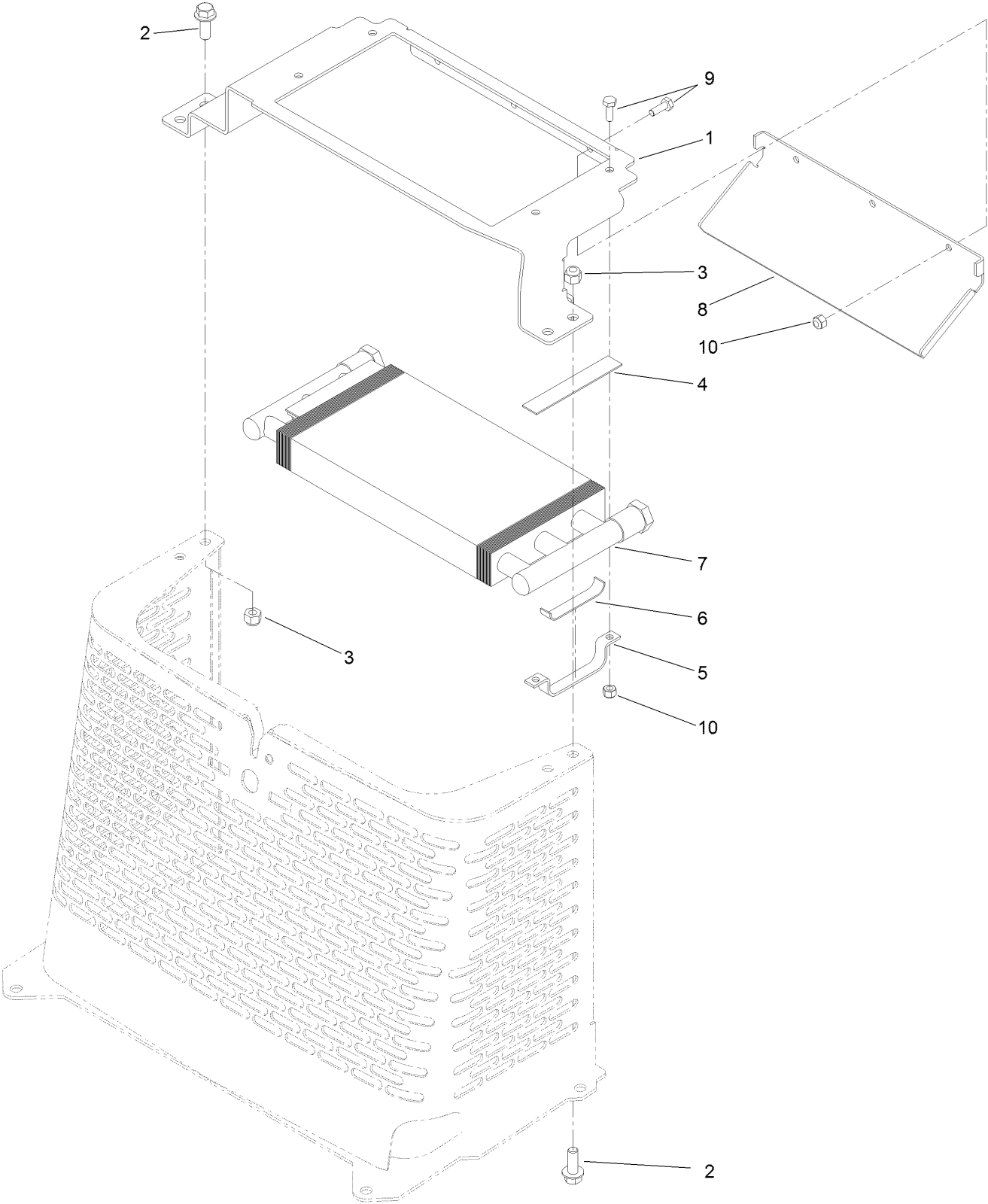
# Quick Attach Assembly



## Quick Attach Assembly (continued)

<i>Ref.</i>	<i>Part Number</i>	<i>Qty.</i>	<i>Description</i>	<i>Ref.</i>	<i>Part Number</i>	<i>Qty.</i>	<i>Description</i>
1	132-8418	1	Quick Attach ASM	1:7	3285-1	2	Pin-Grooved
1:1	130-7708-03	1	Mount-Qtach	1:8	302-5	2	Fitting-Grease
1:2	105-0246	2	Cam	1:9	98-4871	1	Bushing-Tension
1:3	98-4694	2	Spring-Compression	2	130-5222	3	Pin-Pivot
1:4	104-5909	1	Stop-RH	3	302-5	3	Fitting-Grease
1:5	104-5903	1	Stop-LH	4	99-5105	3	Screw-Shoulder
1:6	132-8419	2	Pin-Locking				

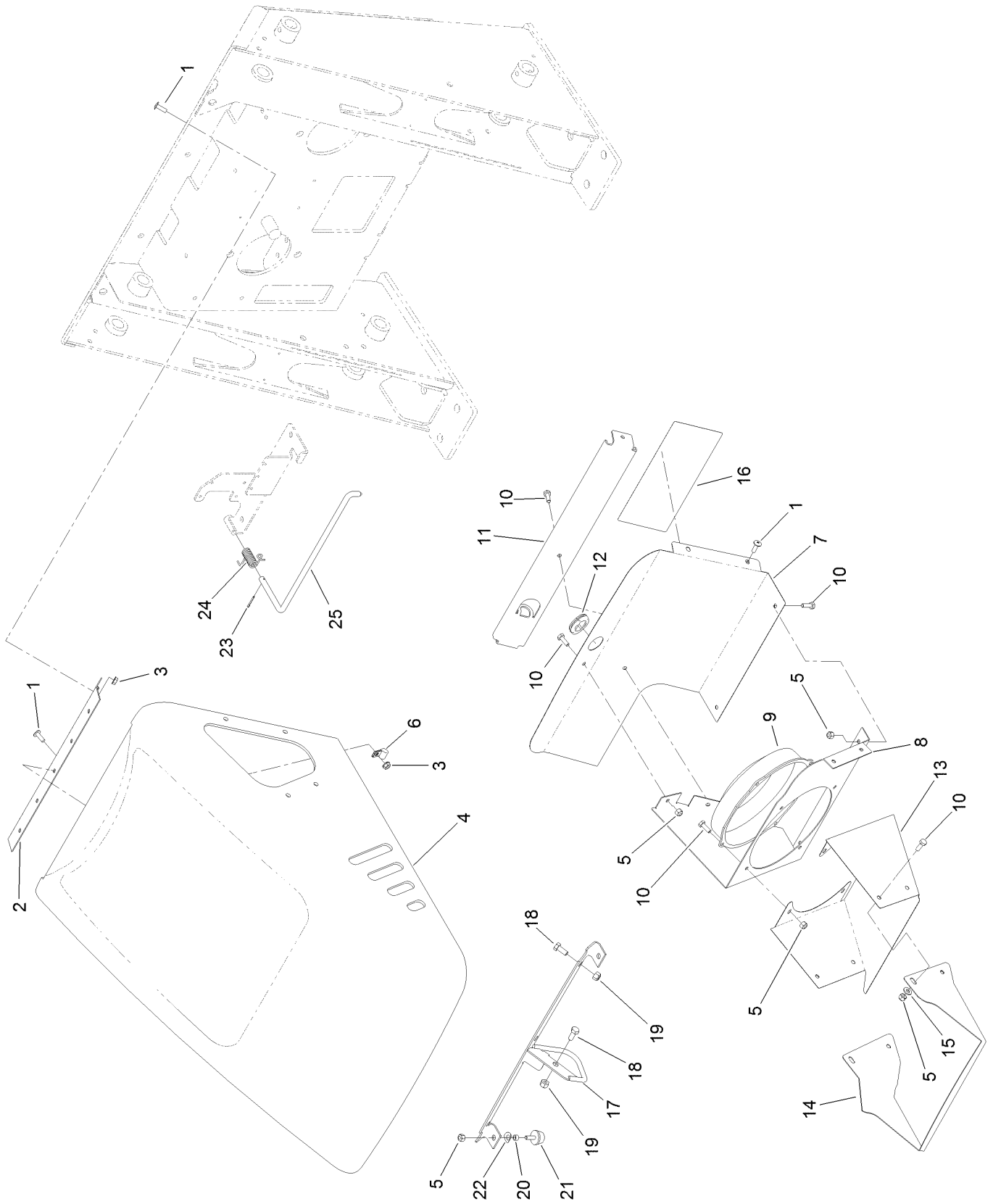
# Heat Exchanger Assembly



## Heat Exchanger Assembly (continued)

<i>Ref.</i>	<i>Part Number</i>	<i>Qty.</i>	<i>Description</i>	<i>Ref.</i>	<i>Part Number</i>	<i>Qty.</i>	<i>Description</i>
1	120-5360-03	1	Bracket-Mounting, Cooler	6	104-2816	2	Pad-Support
2	3234-42	4	Screw-HHF	7	105-0352	1	Exchanger-Heat
3	3296-39	4	Nut-Lock, NI	8	115-0798-03	1	Deflector-Cooler
4	94-9566	2	Pad-Footrest	9	321-4	7	Screw-HH
5	104-2803	2	Support-Cooler	10	3296-42	7	Nut-Lock, NI

# Hood and Fan Assembly



## Hood and Fan Assembly (continued)

<i>Ref.</i>	<i>Part Number</i>	<i>Qty.</i>	<i>Description</i>	<i>Ref.</i>	<i>Part Number</i>	<i>Qty.</i>	<i>Description</i>
1	9114604	14	Screw-Head, Truss	16	139-8823	1	Decal-Service Tx427 ES
2	100-1284	1	Hinge-Hood	16	139-8827	1	Decal-Service Tx427 Fr
3	32128-33	6	Nut-HF	16	139-8832	1	Decal-Service Tx427 It
4	114-1363	1	Hood	16	139-8837	1	Decal-Service Tx427 Ne
5	3296-42	22	Nut-Lock, NI	16	139-8842	1	Decal-Service Tx427 PI
6	2412-91	2	Clamp	16	139-8847	1	Decal-Service Tx427 Ru
7	114-8715-03	1	Bracket-Fan, Back	16	139-8852	1	Decal-Service Tx427 Sk
8	114-8714-03	1	Bracket-Fan, Back	17	117-1725-03	1	Latch-Rod
9	104-2809	1	Fan	18	322-3	4	Screw-HH
10	321-4	12	Screw-HH	19	3296-29	4	Nut-Lock, NI
11	115-4849-03	1	Bracket-Support, Hood	20	106-9308	2	Spacer
12	240-5	1	Grommet	21	1-523420	2	Bumper
13	114-8711-03	1	Shroud-Fan	22	121-4605	2	Washer-Spring
14	114-8712-03	1	Shroud-Fan, Front	23	3272-6	1	Pin-Cotter
15	3256-22	2	Washer-Flat	24	106-2584	1	Spring-Torsion
16	139-8812	1	Decal-Service, Tx 427	25	106-2554	1	Rod-Support, Hood
16	139-8818	1	Decal-Service Tx427 De				

# Attachments and Accessories

## For 22321 TX 427 Compact Tool Carrier

<b>Product Name</b>	<b>Model/Part</b>
Track Kit.....	104-6106
Road Wheel Kit.....	106-7620
Road Wheel Kit (5-Pack) .....	106-7627
Reference Guide Kit .....	107-9310
Track-Aggressive Tread.....	108-5640
Track-Aggressive Tread, Wide .....	108-9749
50 Hour Filter Kit.....	136-4774
200 Hour Filter Kit.....	136-4775
Kit-TX427/525 Snow Thrower Power.....	144-2512
Light Kit ASM.....	144-7101
Adjustable Forks.....	22341
4 Cubic Foot Standard Bucket.....	22409
Loose Materials Bucket .....	22410
48in Hydraulic Blade.....	22414
Bore Drive Head .....	22420
Rod and Reamer .....	22421
Multi-Purpose Tool.....	22423
Direct Drive Power Box Rake .....	22426
Stump Grinder .....	22429
Tree Forks .....	22438
Cement Bowl .....	22442
40in Tiller .....	22445
Crumber Kit .....	22464
Trench Filler.....	22472
High-Torque Trencher Head .....	22473
High-Speed Trencher Head.....	22474
TX Platform.....	22475
4-in-1 Bucket .....	22478
Narrow Bucket.....	22520
Grapple Rake .....	22577
Floor Scraper.....	22673
Auger Head .....	22805
Universal Swivel Auger Head .....	22806
18in Auger Bit.....	22814
24in Auger Bit.....	22815
30in Auger Bit .....	22816
12in Auger Bit Extension .....	22818
24in Auger Bit Extension .....	22819
6in Full-Flight Auger Bit .....	22820
9in Full-Flight Auger Bit .....	22821
12in Full-Flight Auger Bit.....	22822
15in Full-Flight Auger Bit.....	22823
Vibratory Plow .....	22911
Soil Cultivator .....	23102
Concrete Breaker .....	23135
Backhoe Fitup Kit.....	23162



# Attachments and Accessories (continued)

Backhoe.....	23163
Leveler.....	23165
30in Standard Bucket .....	23174
30in Pallet Fork.....	23175
30in Grapple.....	23176
Spark Arrestor Screen .....	75-6880

**Notes:**

**Notes:**



**Count on it.**