



**Count on it.**

**Parts Catalog**

**GrandStand® HDX Mower  
With 60in TURBO FORCE® Cutting Unit**

Model No. 72514—Serial No. 416790000 and Up



# Ordering Replacement Parts

To order replacement parts, please supply the part number, the quantity, and the description of each part desired.

## Understanding Reference Numbers

Each identified part in an illustration has a reference number. The reference number for a part also appears in the parts list, along with other information about the part.

This catalog uses two special reference number formats, one to indicate parts in a service assembly and another to indicate the quantity of a given part in an illustration.

## Service Assembly Reference Numbers

Parts in service assemblies have reference numbers in the form a:b. The a represents the reference number of the entire service assembly and the b represents a sequential number unique to each part within the service assembly.

For example, a wheel assembly might be identified by reference number 6, the tire by 6:1, the valve by 6:2, and the wheel by 6:3. When you order the assembly identified by reference number 6, you receive all parts identified by reference numbers 6:1, 6:2, and 6:3. However, you may also order any part individually. Reference numbers of this type appear in illustration and in parts lists.

## Reference Numbers Indicating Quantity

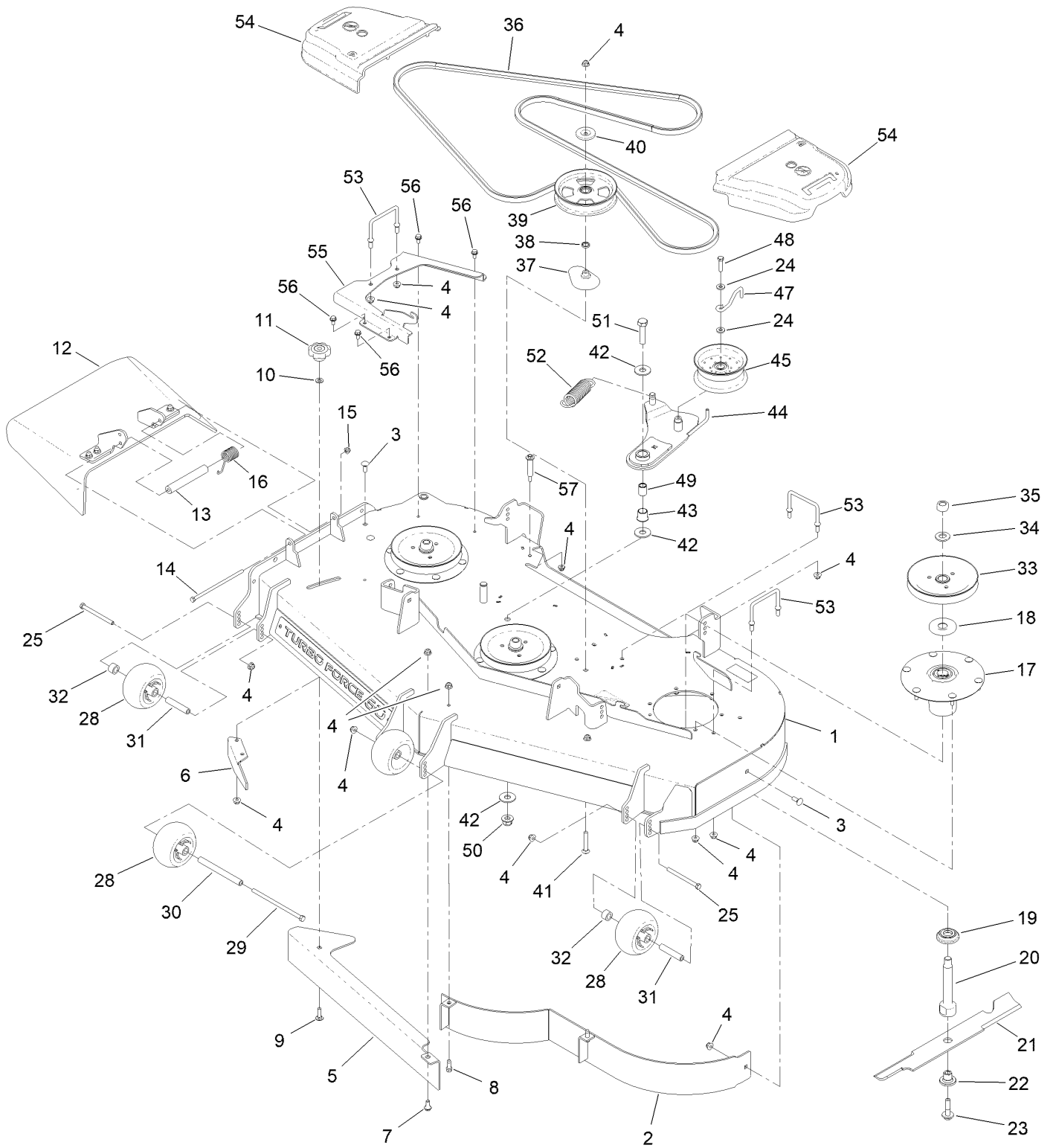
In an illustration, if a reference number indicates more than one part, the reference number has the form nX y. The n represents the quantity of the part, the X is the multiplication symbol, and the y represents the reference number.

For example, in an illustration, the reference number 2X 37 means that two of the parts identified by reference number 37 are indicated.

# Contents

60 Inch Deck Assembly	4
Deck Assembly No. 145-1617	6
Deflector Assembly No. 144-2635	8
Spindle Assembly No. 137-9780	10
Ground Drive Assembly	12
LH Transmission Assembly No. 161-1323	14
RH Transmission Assembly No. 161-9807	16
Hydraulic Hose Assembly	18
Motion Control Assembly	20
Control Handle Assembly No. 132-5157	22
Control Handle Assembly No. 132-5158	24
Parking Brake Assembly	26
Deck Lift Assembly	28
HOC Lever Assembly No. 161-6735	30
Deck Strut Assembly No. 147-4557	32
Frame Assembly	34
Wheel and Bearing Assembly No. 140-4896	36
Platform Assembly	38
Engine Assembly	40
Oil Guard Assembly	42
Fuel Tank Assembly	44
Electrical Assembly	46
Attachments and Accessories	48

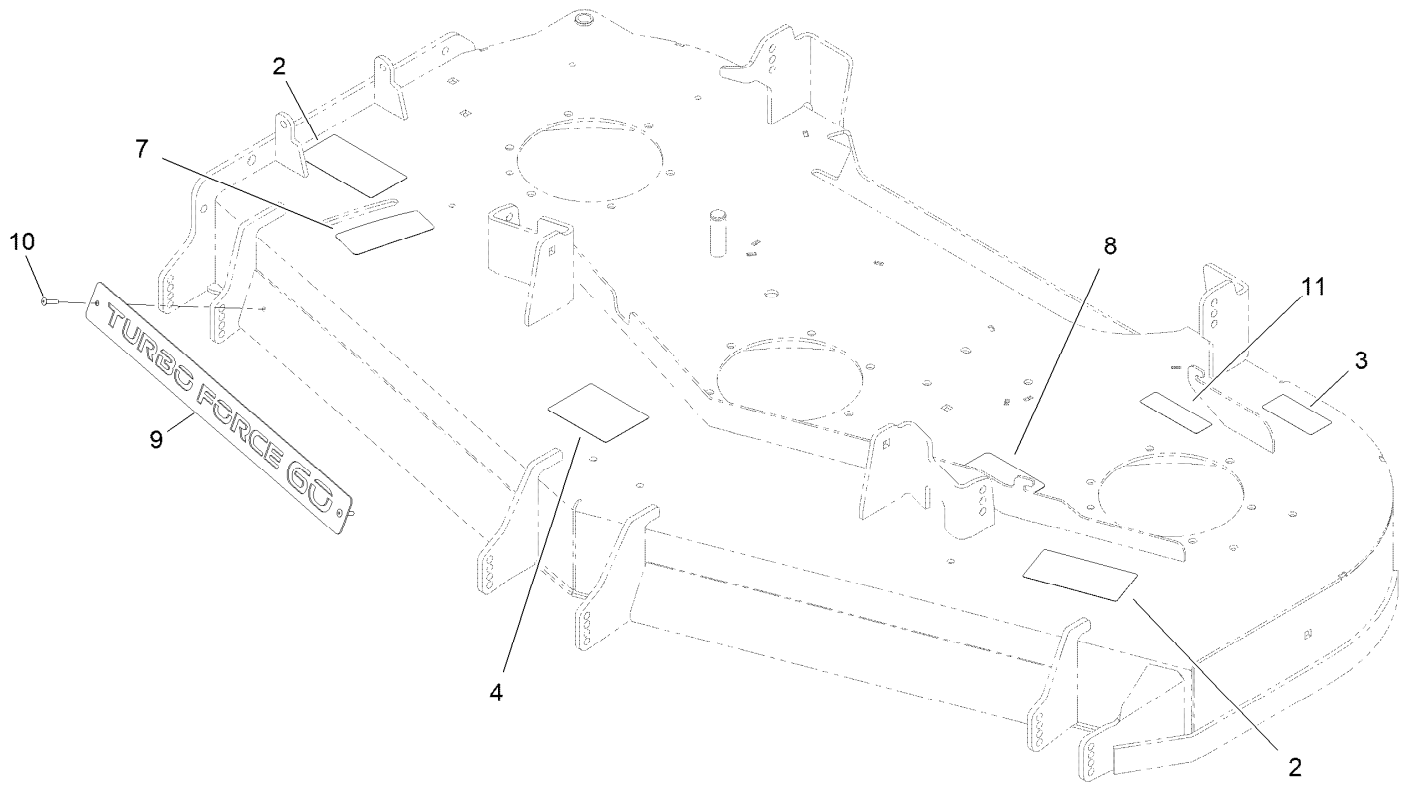
# 60 Inch Deck Assembly



## 60 Inch Deck Assembly (continued)

<i>Ref.</i>	<i>Part Number</i>	<i>Qty.</i>	<i>Description</i>	<i>Ref.</i>	<i>Part Number</i>	<i>Qty.</i>	<i>Description</i>
1	145-1617	1	60 Deck ASM W/Decals	31	133-2129	2	Tube-Shafting
2	117-9701-01	1	Baffle ASM	32	133-2128	2	Tube-Spacer
3	3231-2	3	Bolt-CARR	33	138-6059	3	Sheave-Drive, Blade
4	104-8301	35	Nut-HF, NI	34	103-2802	3	Washer
5	139-8106-01	1	Plate-Baffle, Formed [red]	35	116-7306	3	Nut-Hex
6	106-3216-01	1	Baffle-Discharge	36	131-1121	1	Belt-V
7	94-7582	1	Bolt-Shoulder	37	109-2872	1	Spacer-Pulley
8	92-1624	2	Screw-HWH Thd Form	38	107-4293	1	Spacer-Plate, BBC
9	119-4162	1	Screw-CARR	39	136-5404	1	Pulley-Idler, Flat
10	100-4852	1	Washer-Hardened	40	132-5153	1	Shield-Dust
11	109-1092	1	Knob	41	3231-44	1	Screw-CARR
12	144-2635	1	Rubber Deflector ASM	42	104-9216	3	Washer-Hardened
13	105-4622	1	Spacer	43	135-1248	1	Bushing, Igus
14	322-50	1	Screw-HH	44	147-7796-03	1	Idler Arm ASM [black]
15	104-8300	1	Nut-HF, NI	45	116-4666	1	Idler-Pulley, Flat
16	108-4052	1	Spring-Torsion	47	147-4644	1	Wireform Belt Guide,Idler, Top
17	137-9780	3	Spindle ASM	48	323-8	1	Screw-HH
18	103-1330	3	Guard-Bearing, Top	49	163-3438	1	Bushing-Idler Pivot
19	137-9784	3	Guard-Bottom	50	133-9681	1	Nut-HF
20	138-6045	3	Shaft-Spindle	51	327-7	1	Screw-HH
21	140-1240	3	Blade	52	108-5412	1	Spring-Extension
22	137-9787	3	Bushing-Hex	53	109-6982	3	Wireform-Cover
23	109-9220	3	Screw-Sems	54	109-6936	2	Cover-Belt, LH
24	138-7207	2	Spacer-Hub, Blower	55	147-4552-01	1	Platform, Belt Cover 60
25	323-23	2	Screw-HH	56	32144-70	4	Screw-HWHTF
28	1-603299	4	Roller-Scalp, Anti	57	112-3977	1	Bolt-Shoulder
29	108-5388	1	Screw-HH				
30	98-5967	1	Spacer-Wheel				

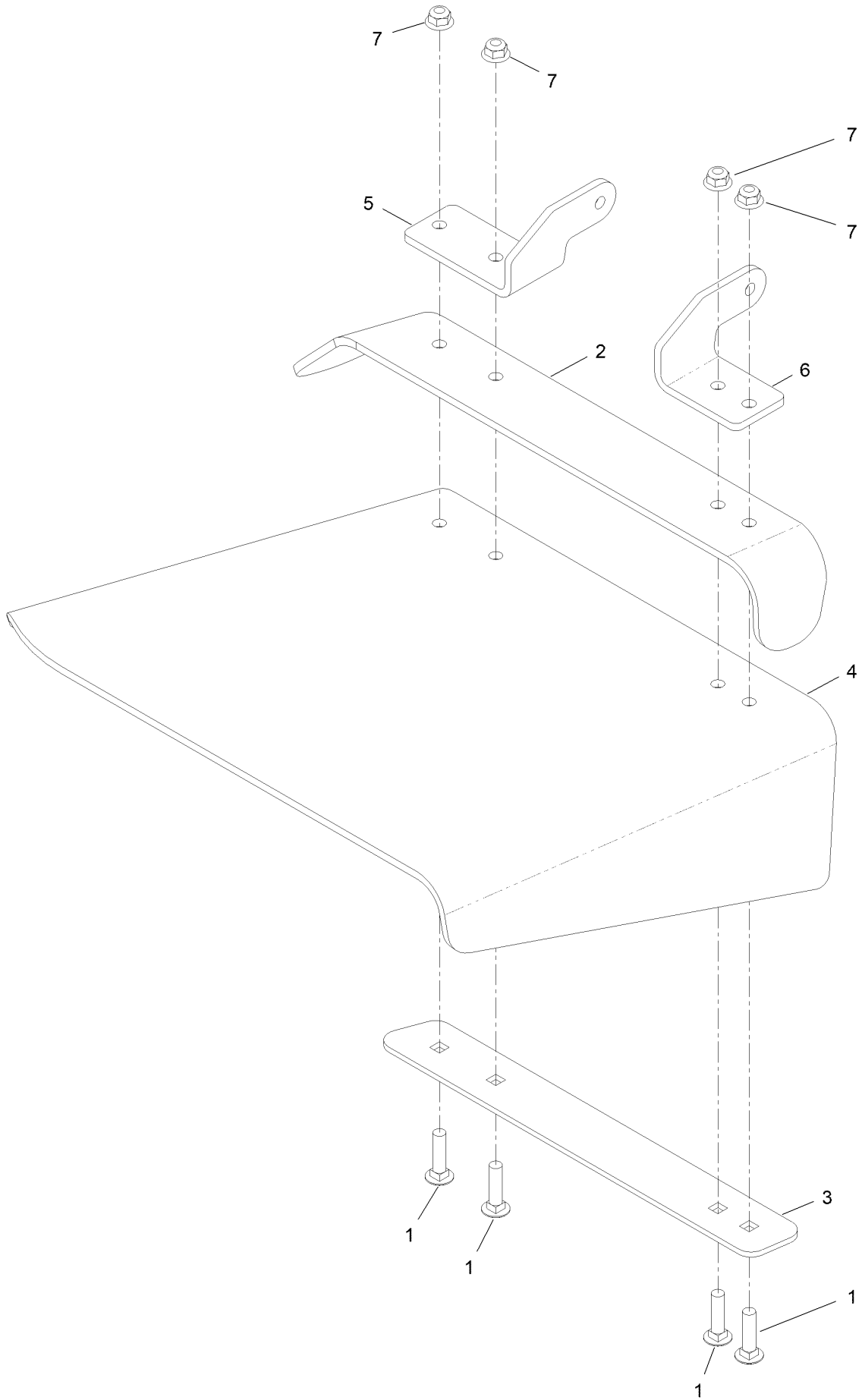
# Deck Assembly No. 145-1617



## Deck Assembly No. 145-1617 (continued)

<i>Ref.</i>	<i>Part Number</i>	<i>Qty.</i>	<i>Description</i>	<i>Ref.</i>	<i>Part Number</i>	<i>Qty.</i>	<i>Description</i>
2	133-4604	2	Decal-Danger	8	147-4766	1	Decal-Belt Routing
3	116-8283	1	Decal-Torque, Bolt	9	147-4631-03	1	Plate-Turbo Force [black]
4	127-0326	1	Decal-Scalp, Anti	10	130-8451	2	Rivet-Trifold
7	138-1147	1	Decal - Baffle Adjustment	11	112-9028	2	Decal-Cover, Missing

# Deflector Assembly No. 144-2635





## Deflector Assembly No. 144-2635 (continued)

<i>Ref.</i>	<i>Part Number</i>	<i>Qty.</i>	<i>Description</i>	<i>Ref.</i>	<i>Part Number</i>	<i>Qty.</i>	<i>Description</i>
1	3231-5	4	Screw-CARR	5	108-4059-01	1	Plate-Hinge, Rear
2	106-3246-01	1	Deflector	6	106-3253-01	1	Plate-Hinge, Front
3	106-3248-03	1	Strap-Discharge	7	104-8301	4	Nut-HF, NI
4	161-3464	1	Deflector-Deck, Rubber				

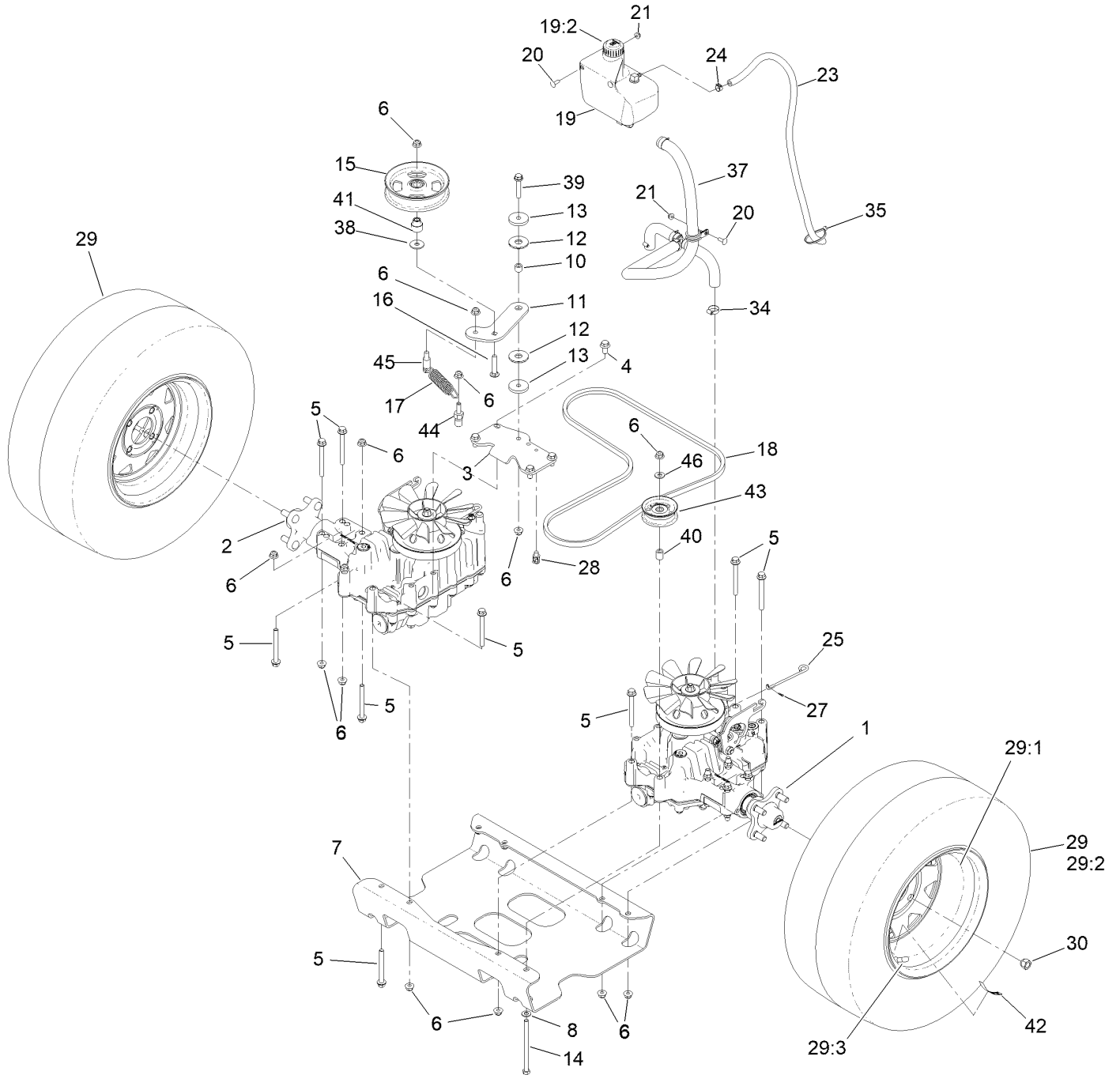
# Spindle Assembly No. 137-9780



# Spindle Assembly No. 137-9780 (continued)

<i>Ref.</i>	<i>Part Number</i>	<i>Qty.</i>	<i>Description</i>
2	116-0720	2	Bearing-Ball
3	138-6042	1	Spacer-Bearing

# Ground Drive Assembly



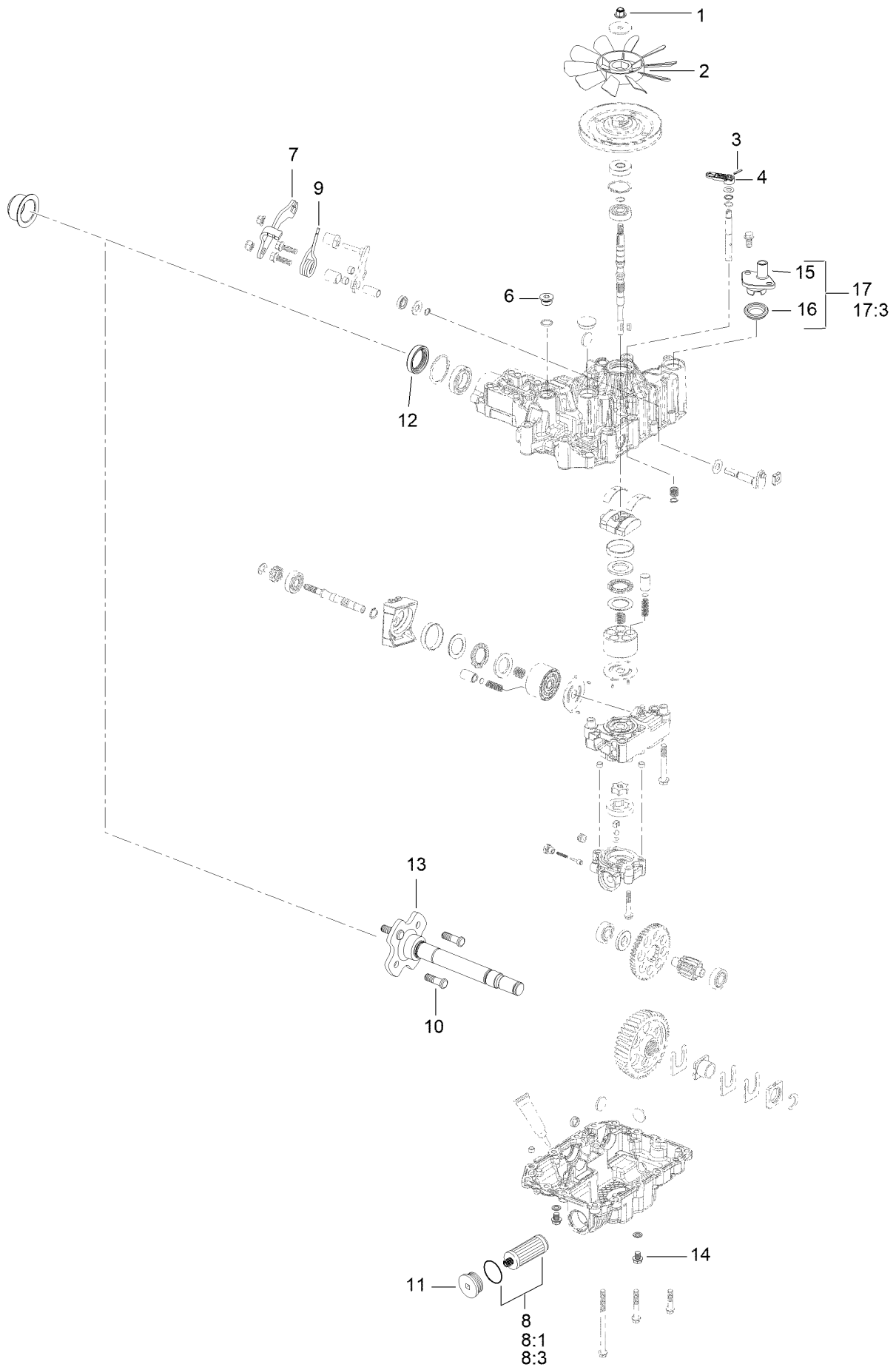
## Ground Drive Assembly (continued)

<i>Ref.</i>	<i>Part Number</i>	<i>Qty.</i>	<i>Description</i>	<i>Ref.</i>	<i>Part Number</i>	<i>Qty.</i>	<i>Description</i>
1	161-1323	1	LH Transmisson (Tzt13Sy)	24	92-2379	1	Clamp-Hose
2	161-9807	1	RH Transmisson (Tzt13Sx)	25	145-6176	2	Rod-Bypass
3	147-4756-03	1	Plate, Support, Transaxle	27	108-2992	2	Pin-Hair
4	161-1312	4	Screw-Bshs	28	161-1316	2	Clip, Fir Tree
5	116-4701	15	Screw-HHF	29	144-6607	2	Wheel And Tire ASM
6	104-8301	19	Nut-HF, NI	29:1	144-6606	1	Wheel
7	147-4636-03	1	Plate-Hydro	29:2	140-7975	1	Tire
8	3256-24	1	Washer-Plain	29:3	232-27	1	Stem-Valve
10	1-413088	1	Bushing-Lever, Lift	30	242-50	8	Nut-Lug
11	147-4757	1	Plate-Arm, Idler	34	2412-129	2	Clamp-Hose
12	114-0463	2	Washer-Friction, Composite	35	3290-378	1	Tie-Cable
13	110-9981	2	Washer-Plain	37		1	HYD Hose ASM ■
14	323-25	1	Screw-HH	38	93-8806	1	Washer-Hardened
15	136-5405	1	Pulley-Idler, Flat	39	108-3742	1	Screw-HHF
16	3231-6	1	Screw-CARR	40	115-1451	1	Spacer-Wheel
17	138-1104	1	Spring-Extension	41	138-7227	1	Bushing-Idler
18	145-5186	1	Belt-V	42	126-2055	2	Decal-Torque, Wheel Hub Lug
19	132-1135	1	Tank-HYD	43	130-8362	1	Pulley-Idler, Flat
19:2	133-8677	1	Cap-Vented	44	132-4724	1	Pin-Anchor, Spring
19:5	140-9463	1	Strainer-Neck, Removable ●	45	110-3841	1	Anchor-Spring
20	3229-25	3	Screw-CARR	46	109-6658	1	Nut-Flange, NI
21	104-7201	3	Nut-HF, NI				
23	109-0309	1	Hose-Fuel				

● Not illustrated

■ Not serviced separately

# LH Transmission Assembly No. 161-1323



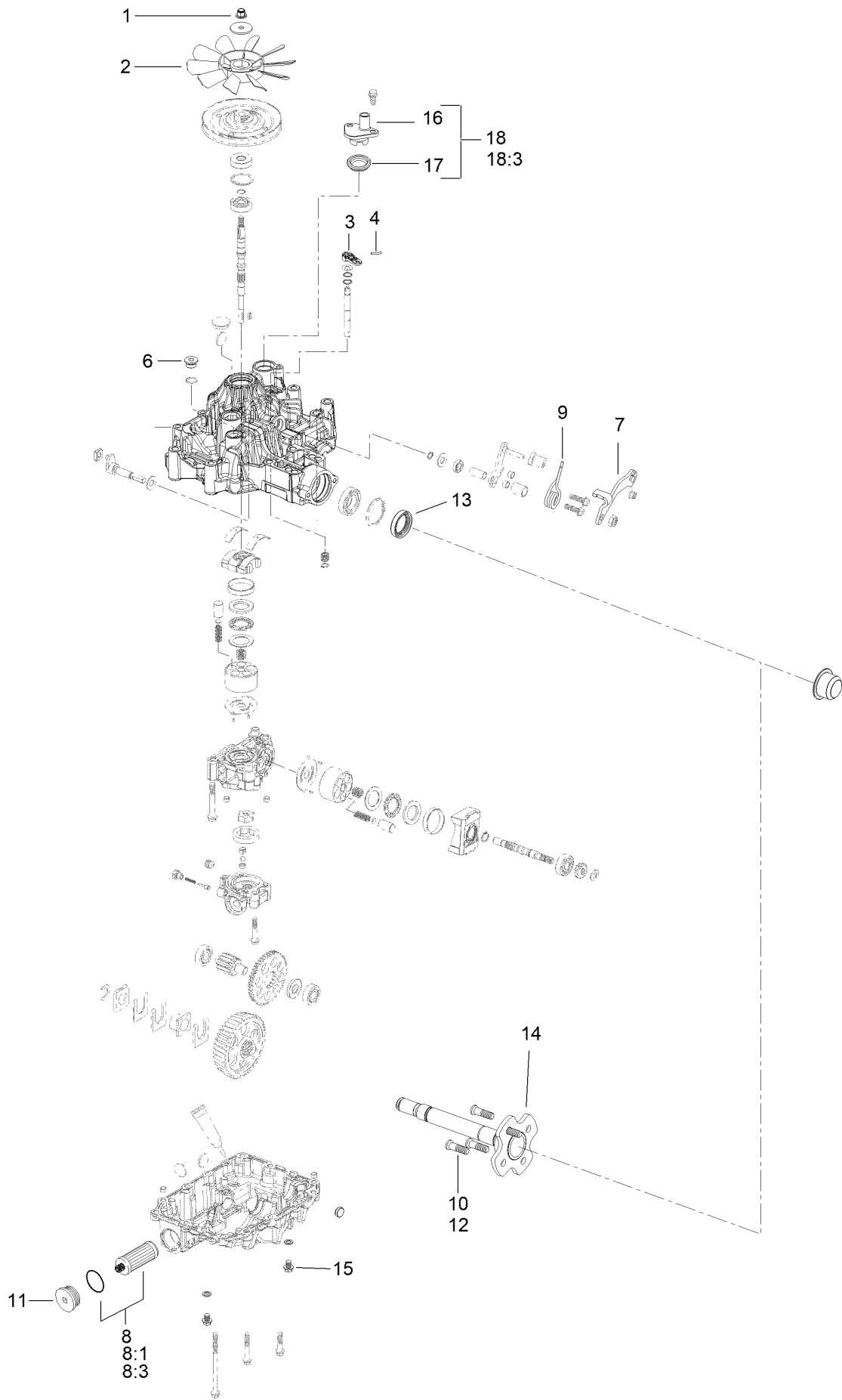
# LH Transmission Assembly No. 161-1323 (continued)

<i>Ref.</i>	<i>Part Number</i>	<i>Qty.</i>	<i>Description</i>	<i>Ref.</i>	<i>Part Number</i>	<i>Qty.</i>	<i>Description</i>
1	132-4737	1	Nut-Lock	10	137-9509	4	Stud-Wheel
2	132-4738	1	Fan	11	138-4613	1	Cap-Oil Filter
3	104-3265	1	Pin	12	139-5587	1	Seal-Axle, Ua
4	132-4700	1	Lever-Bypass	13	139-5588	1	Axle
5	161-7919	1	Brake Kit, Y ●	14	139-5589	2	Drain Bolt
6	132-4735	1	Cap-Oil	15	139-5590	1	Expansion Fitting
7	161-7914	1	Lever-Control, LH	16	139-5591	1	Grommet Seal, Expansion Fitting
8	144-3842	1	2 Transmission Filter Kit				
8:1		2	Filter (1A6370-26450) ■	17	139-7871	1	Expansion Fitting - W/ Seal
8:3		4	Sealing Washer ■	17:3		1	M8*20 Flange Bolt ■
9	137-4109	1	Spring-Torsion	18	161-7916	1	Pulley ●

● Not illustrated

■ Not serviced separately

# RH Transmission Assembly No. 161-9807





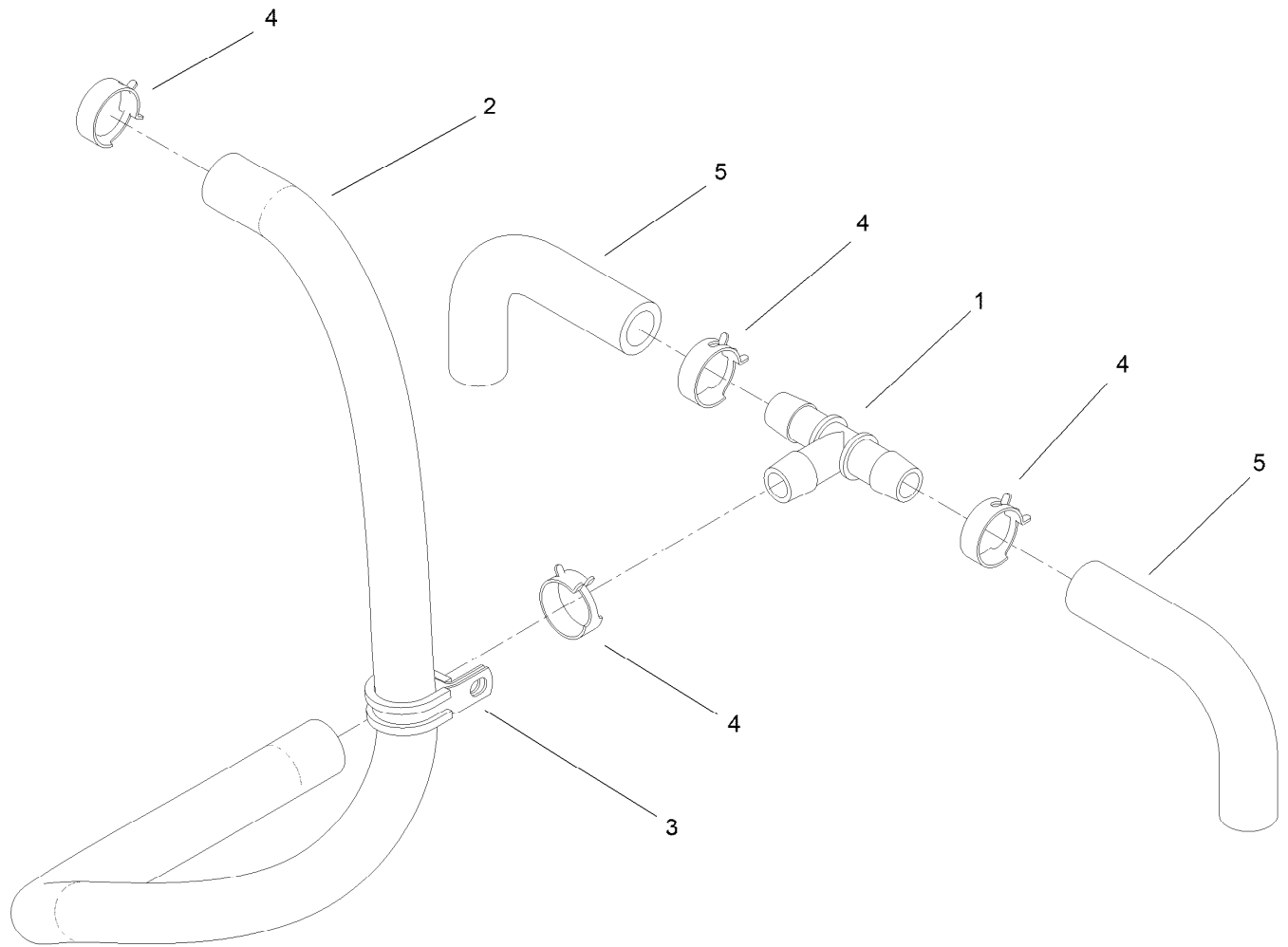
# RH Transmission Assembly No. 161-9807 (continued)

<i>Ref.</i>	<i>Part Number</i>	<i>Qty.</i>	<i>Description</i>	<i>Ref.</i>	<i>Part Number</i>	<i>Qty.</i>	<i>Description</i>
1	132-4737	1	Nut-Lock	11	138-4613	1	Cap-Oil Filter
2	132-4738	1	Fan	12	137-9509	4	Stud-Wheel
3	104-3265	1	Pin	13	139-5587	1	Seal-Axle, Ua
4	132-4700	1	Lever-Bypass	14	139-5588	1	Axle
5	161-7917	1	Brake Kit, X ●	15	139-5589	2	Drain Bolt
6	132-4735	1	Cap-Oil	16	139-5590	1	Expansion Fitting
7	161-7915	1	Lever-Control, RH	17	139-5591	1	Grommet Seal, Expansion Fitting
8	144-3842	1	2 Transmission Filter Kit	18	139-7871	1	Expansion Fitting - W/ Seal
8:1		2	Filter (1A6370-26450) ■	18:3		1	M8*20 Flange Bolt ■
8:3		4	Sealing Washer ■	19	161-7916	1	Pulley ●
9	137-4109	1	Spring-Torsion				
10	137-9509	1	Stud-Wheel				

● Not illustrated

■ Not serviced separately

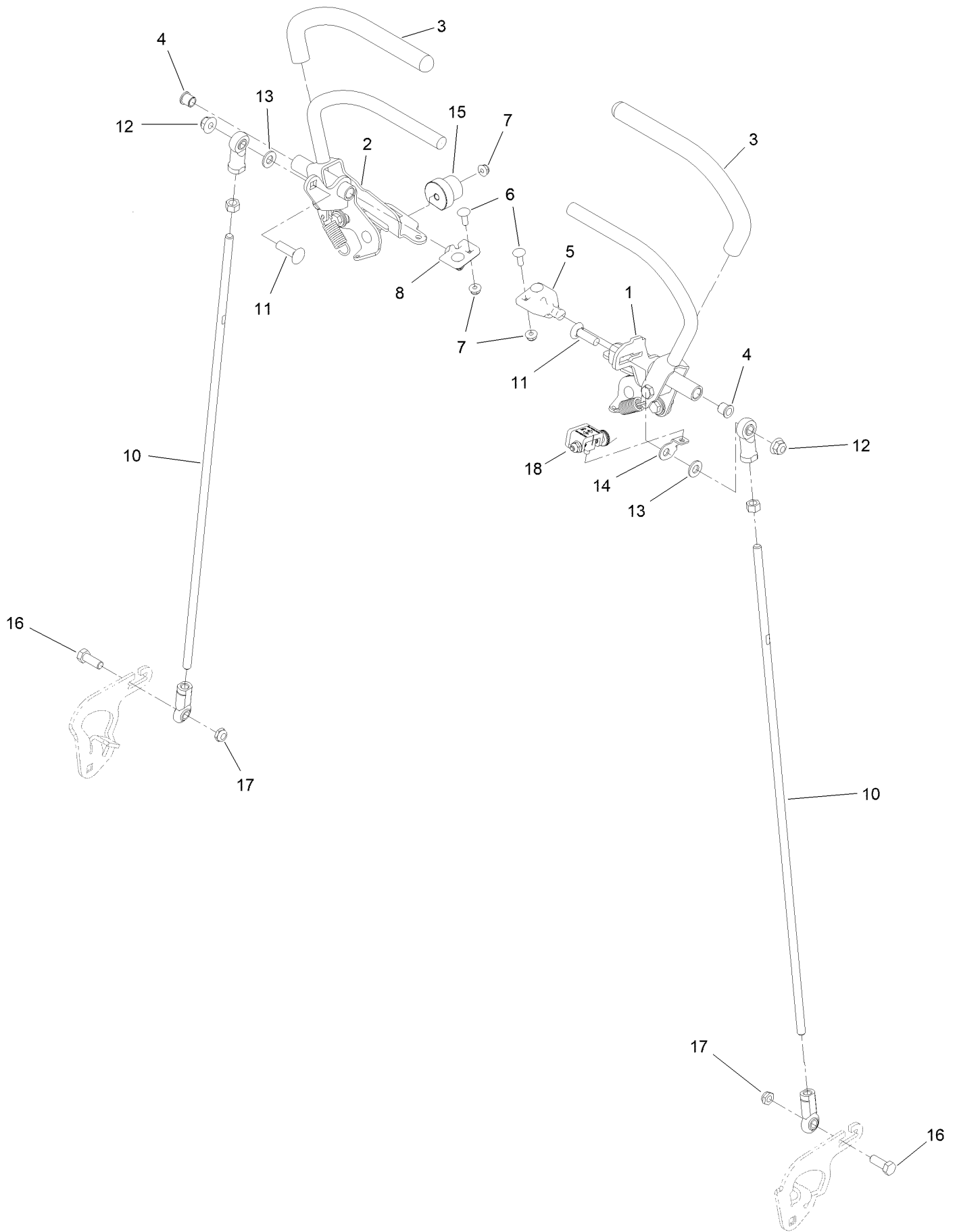
# Hydraulic Hose Assembly



## Hydraulic Hose Assembly (continued)

<i>Ref.</i>	<i>Part Number</i>	<i>Qty.</i>	<i>Description</i>	<i>Ref.</i>	<i>Part Number</i>	<i>Qty.</i>	<i>Description</i>
1	139-4055	1	Fitting Tee	4	145-3599	4	Hose Clamp
2	145-1644	1	Hydraulic Hose	5	145-6177	2	Hose-Hydraulic
3	147-0201	1	R-Clamp				

# Motion Control Assembly



## Motion Control Assembly (continued)

<i>Ref.</i>	<i>Part Number</i>	<i>Qty.</i>	<i>Description</i>	<i>Ref.</i>	<i>Part Number</i>	<i>Qty.</i>	<i>Description</i>
1	132-5157	1	LH Control Handle ASM	11	3231-28	2	Screw-CARR
2	132-5158	1	RH Control Handle ASM	12	104-8301	2	Nut-HF, NI
3	119-0222	2	Grip	13	3256-24	2	Washer-Plain
4	103-9928	2	Bearing	14	132-7538	1	Bracket-Adjustment, Speed
5	120-3288	1	Tab-Pivot, LH	15	126-1499	2	Cam
6	3229-1	4	Screw-CARR	16	323-6	2	Screw-HH
7	104-7201	6	Nut-HF, NI	17	3296-59	2	Nut-Lock, NI
8	120-3287	1	Tab-Pivot, RH	18	132-7595	1	Speed Setting Tool
10	161-2803	2	RH Control Rod ASM				

# Control Handle Assembly No. 132-5157



## Control Handle Assembly No. 132-5157 (continued)

<i>Ref.</i>	<i>Part Number</i>	<i>Qty.</i>	<i>Description</i>	<i>Ref.</i>	<i>Part Number</i>	<i>Qty.</i>	<i>Description</i>
2	131-3562	1	Bearing-Sleeve	7	116-2670	1	Screw-Shoulder
4	323-10	1	Screw-HH	8	104-8300	1	Nut-HF, NI
5	104-8301	1	Nut-HF, NI	9	132-5146	1	Spring-Extension
6	110-7191	2	Washer-Thrust				

# Control Handle Assembly No. 132-5158



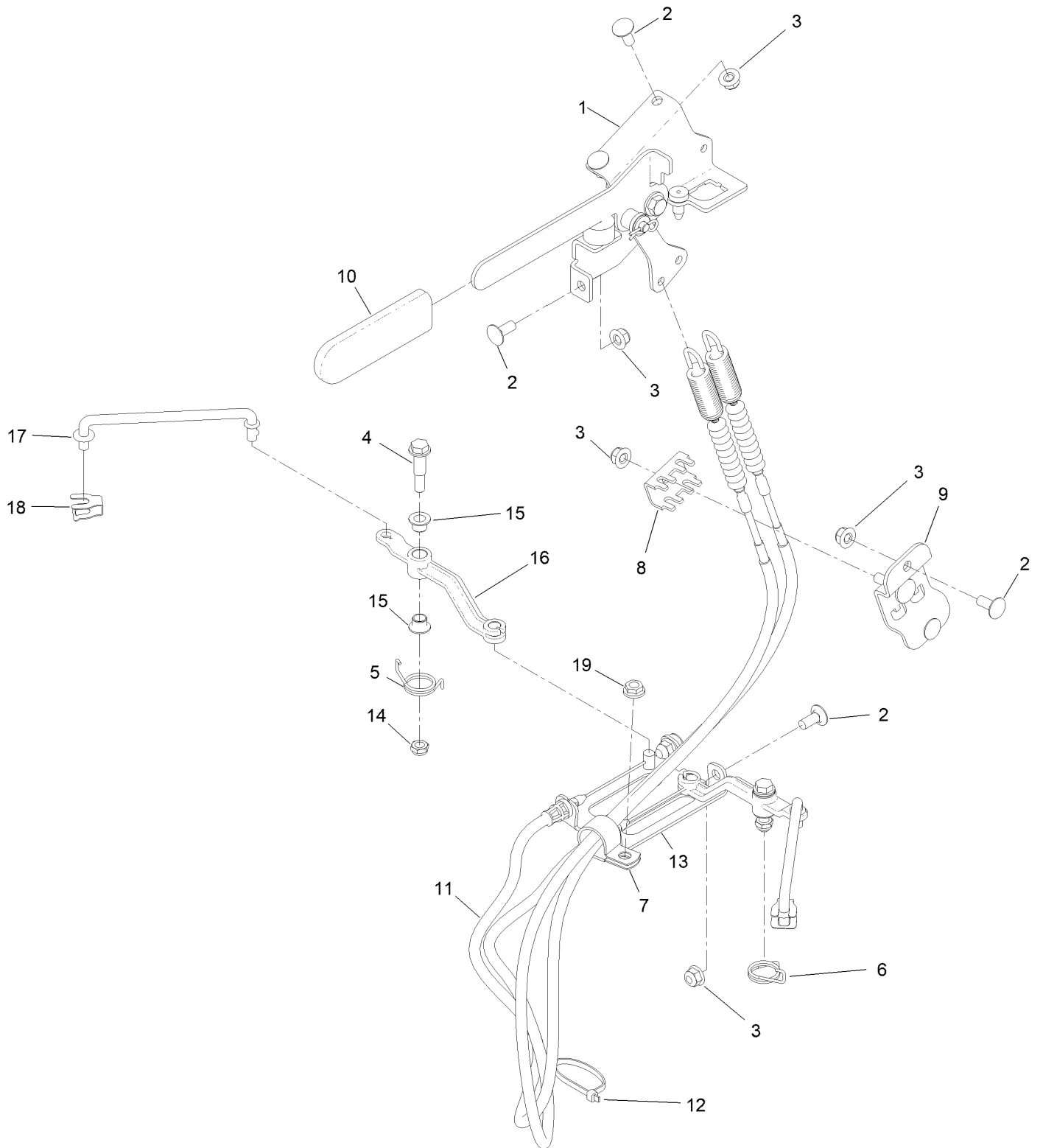


## Control Handle Assembly No. 132-5158 (continued)

<i>Ref.</i>	<i>Part Number</i>	<i>Qty.</i>	<i>Description</i>
3	104-8301	1	Nut-HF, NI
4	323-10	1	Screw-HH
5	110-7191	2	Washer-Thrust
6	116-2670	1	Screw-Shoulder

<i>Ref.</i>	<i>Part Number</i>	<i>Qty.</i>	<i>Description</i>
7	104-8300	1	Nut-HF, NI
8	131-3562	1	Bearing-Sleeve
9	132-5146	1	Spring-Extension

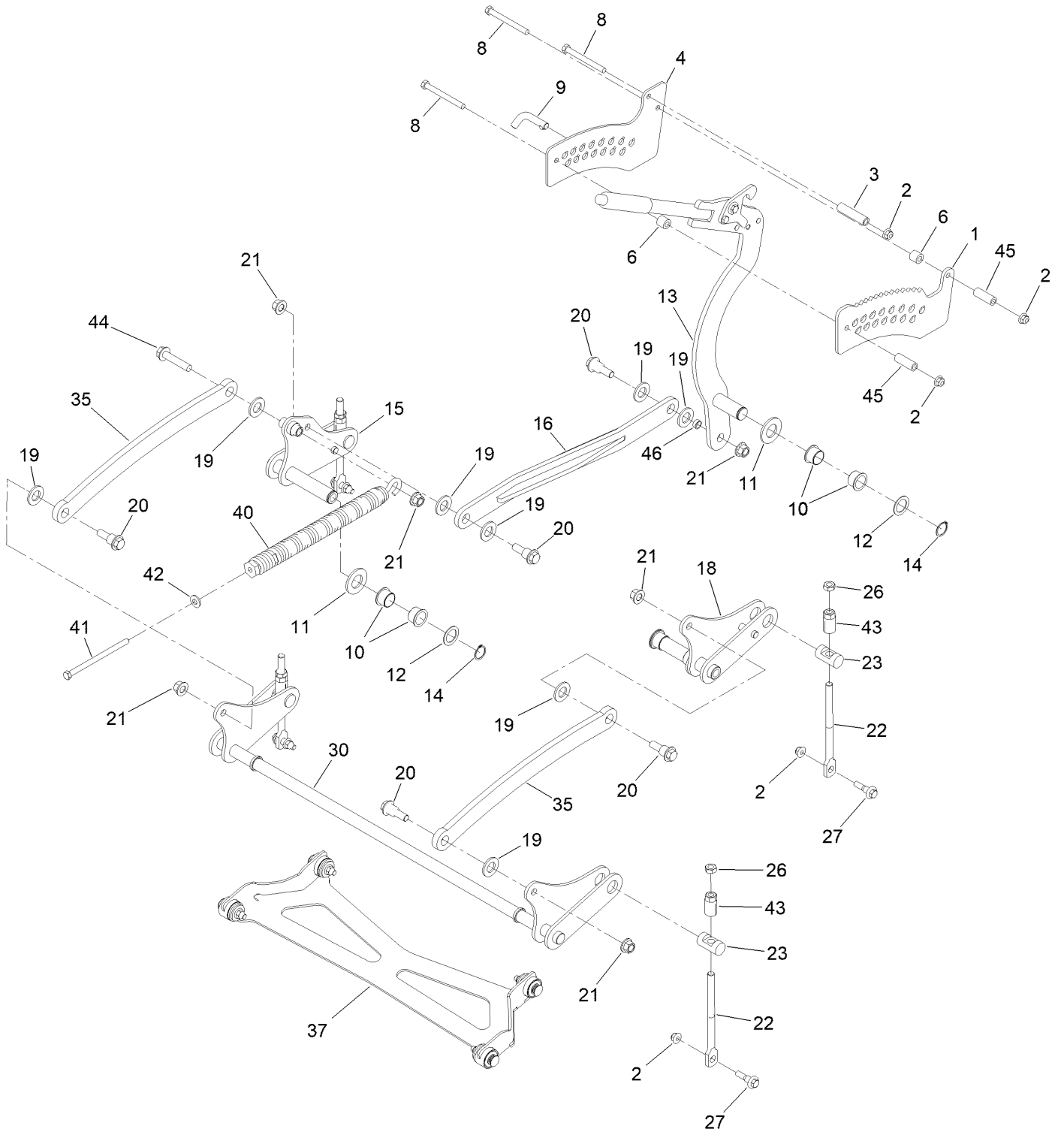
# Parking Brake Assembly



## Parking Brake Assembly (continued)

<i>Ref.</i>	<i>Part Number</i>	<i>Qty.</i>	<i>Description</i>	<i>Ref.</i>	<i>Part Number</i>	<i>Qty.</i>	<i>Description</i>
1	132-5170	1	Brake Handle ASM	11	145-1643	2	Cable-Brake
2	3230-23	7	Bolt-CARR	12	3290-378	1	Tie-Cable
3	104-8300	8	Nut-HF, NI	13	147-3494	1	Bracket-Cable, Mount
4	116-8607	2	Screw-Shoulder	14	3296-47	2	Nut-Lock,NI
5	139-1508	1	Spring-Torsion	15	137-2374	4	Bushing-Flange
6	139-1538	1	Spring-Torsion	16	147-4801	2	Arm-Brake
7	2412-39	1	Clamp-R	17	147-3484	2	Rod-Brake
8	132-1187	1	Clamp-Cable	18	147-4783	2	Retainer-Rod
9	132-7582	1	Mount-Cable, Brake	19	32128-20	1	Nut-HF
10	1-633268	1	Grip-Lever				

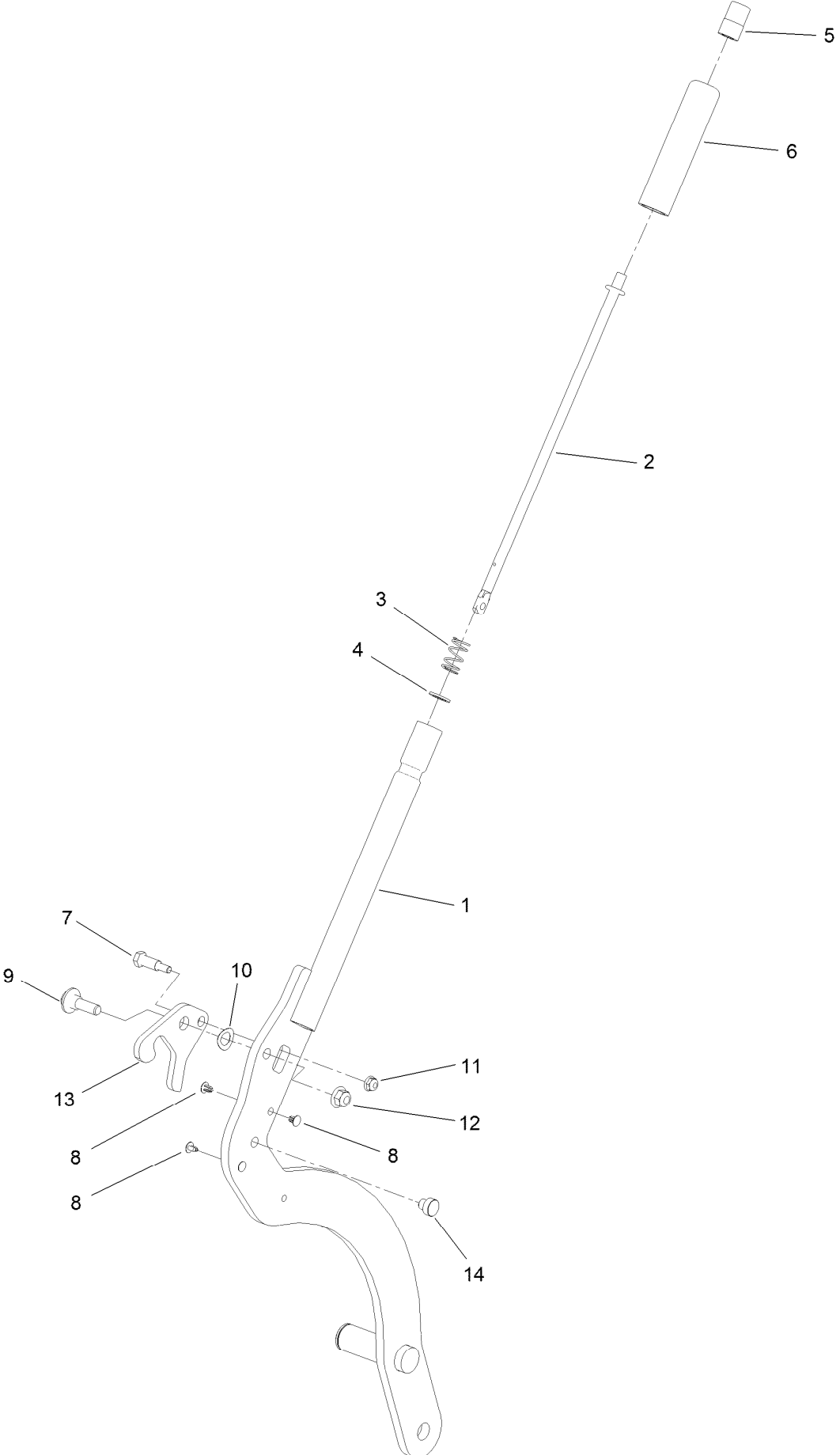
# Deck Lift Assembly



## Deck Lift Assembly (continued)

<i>Ref.</i>	<i>Part Number</i>	<i>Qty.</i>	<i>Description</i>	<i>Ref.</i>	<i>Part Number</i>	<i>Qty.</i>	<i>Description</i>
1	138-4887	1	Plate-HOC, Inner	20	116-0780	5	Screw-Shoulder, HHF
2	104-8301	7	Nut-HF, NI	21	99-5107	6	Nut-Lock
3	138-1111	1	Spacer	22	147-4822	4	Link-Adjuster, Deck Lift
4	132-7581	1	HOC Plate And Decal ASM	23	109-8353	4	Trunnion
6	121-1760	2	Spacer	26	3218-5	4	Nut-Jam
8	116-4701	3	Screw-HHF	27	130-0742	4	Bolt-Shoulder
9	116-5584	1	Pin-HOC	30	163-0503-03	1	Front Cross Shaft ASM [black]
10	127-0369	6	Bushing	35	127-1948-03	2	Link-Lift
11	3256-62	3	Washer-Flat	37	147-4557	1	ASM-Deck Strut W/Bushings
12	10-8110	3	Washer-Thrust	40	116-0886	1	Spring-Extension
13	161-6735	1	HOC Lever ASM	41	323-58	1	Bolt-TAP, HH
14	32151-29	3	Ring-Retaining	42	98-5975	1	Washer-Belleville
15	147-2441-03	1	RH Rear Lift Arm ASM [black]	43	109-7840	4	Adjuster-Lift, Deck
16	147-4810-03	1	HOC Link ASM [black]	44	127-7444	1	Screw-HHF
18	147-2446-03	1	LH Rear Lift Arm ASM [black]	45	95-6448	2	Spacer
19	3256-28	8	Washer-Flat	46	138-2235	1	Spacer

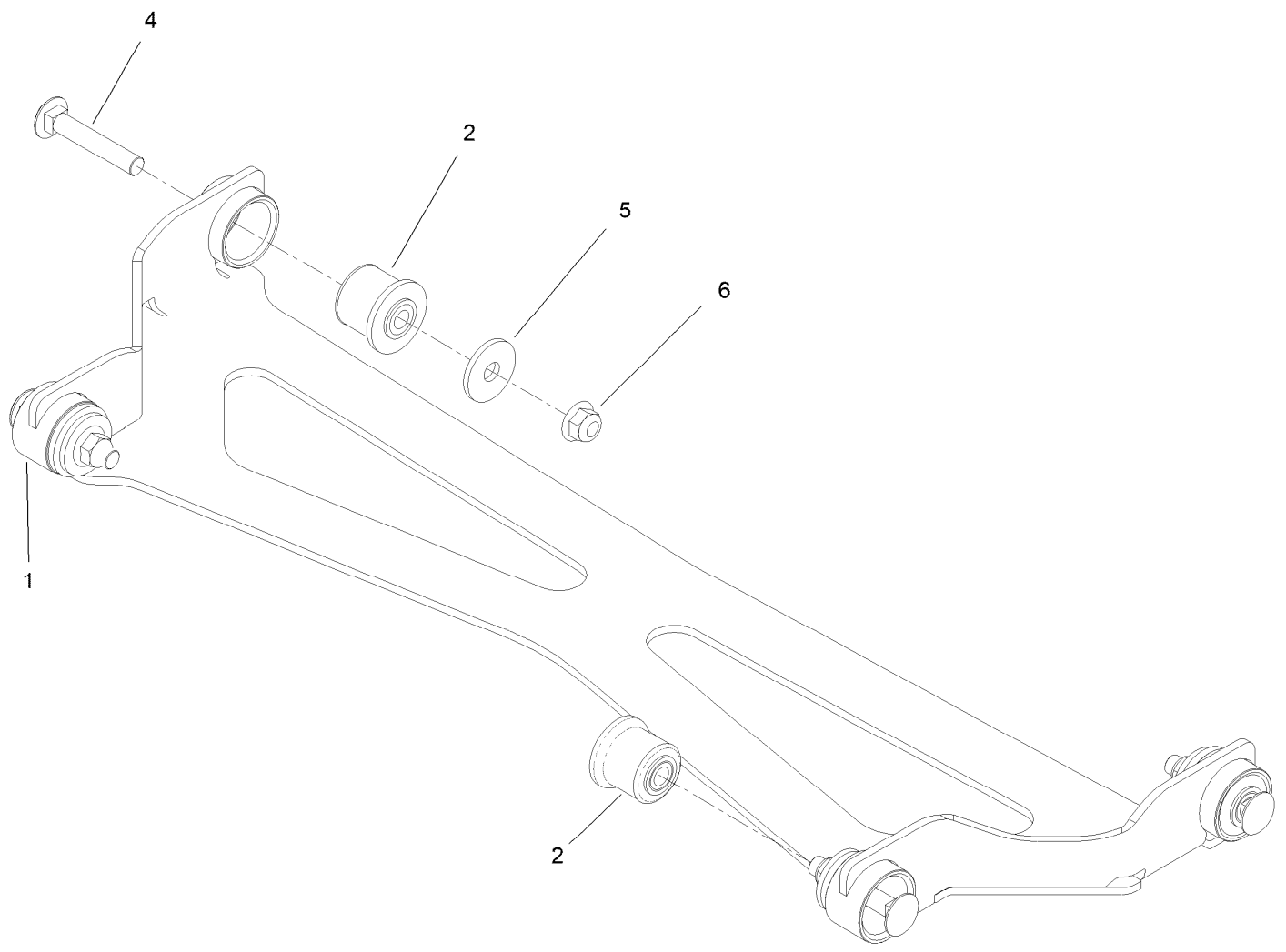
# HOC Lever Assembly No. 161-6735



## HOC Lever Assembly No. 161-6735 (continued)

<i>Ref.</i>	<i>Part Number</i>	<i>Qty.</i>	<i>Description</i>	<i>Ref.</i>	<i>Part Number</i>	<i>Qty.</i>	<i>Description</i>
1	161-6736-01	1	Lift Lever ASM [red]	8	103-1363	4	Rivet
2	136-0530	1	Rod-Latch, Release	9	614672	1	Screw-Shoulder, HWH
3	114-8187	1	Spring-Compression	10	110-8982	1	Washer-Spring
4	114-1207	1	Washer-Special	11	104-7201	1	Nut-HF, NI
5	115-2750	1	Knob	12	104-8301	1	Nut-HF, NI
6	115-3592	1	Grip	13	138-4888	1	Latch-HOC
7	119-2309	1	Bolt-Shldr,HH	14	138-4863	1	Plug-Wear

# Deck Strut Assembly No. 147-4557

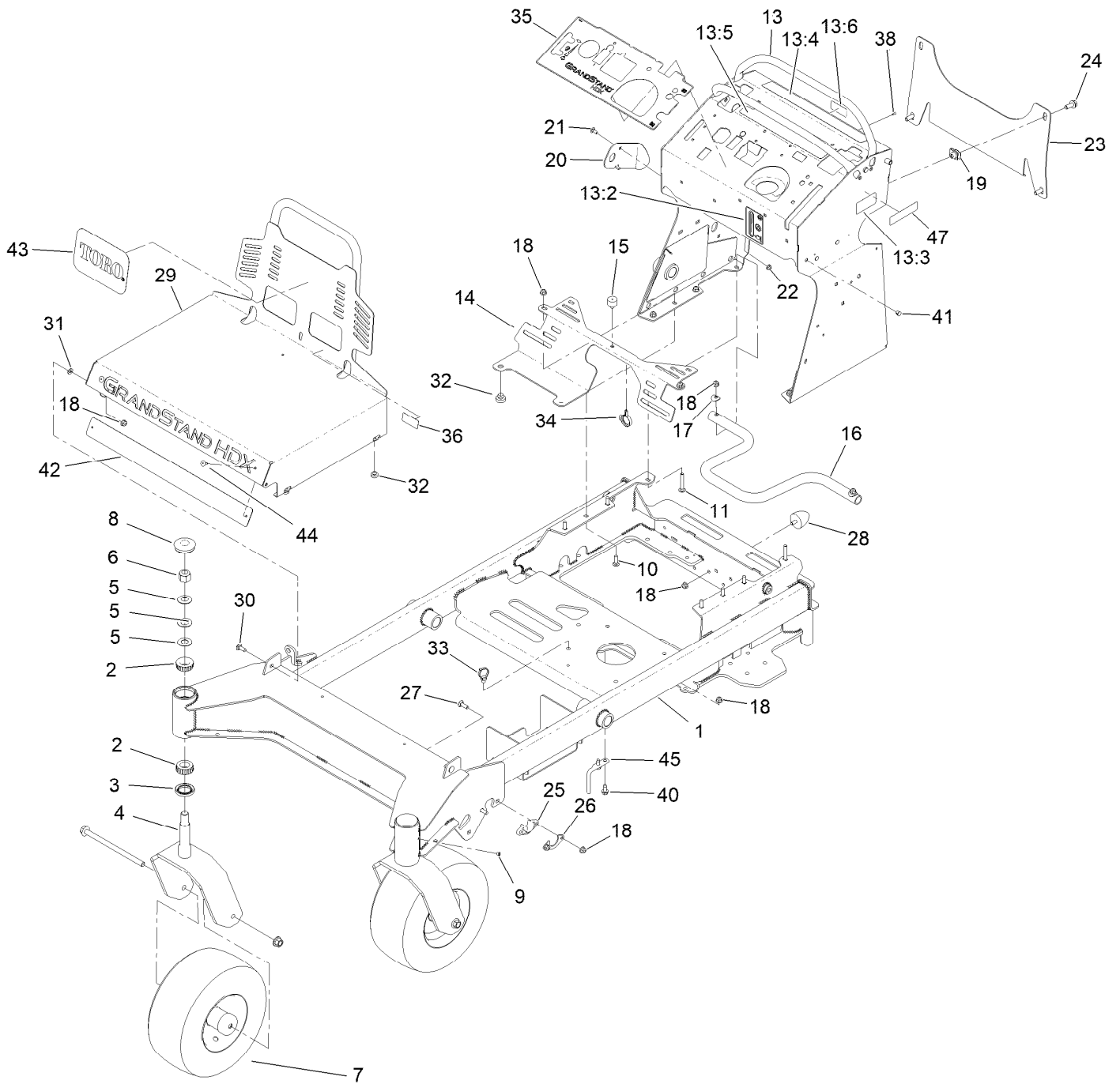




## Deck Strut Assembly No. 147-4557 (continued)

<i>Ref.</i>	<i>Part Number</i>	<i>Qty.</i>	<i>Description</i>	<i>Ref.</i>	<i>Part Number</i>	<i>Qty.</i>	<i>Description</i>
1	147-4558-03	1	ASM-Deck Strut [black]	5	2844	4	Washer
2	147-7351	4	Spacer, Bushing ASM	6	104-8301	4	Nut-HF, NI
4	3231-7	4	Screw-CARR				

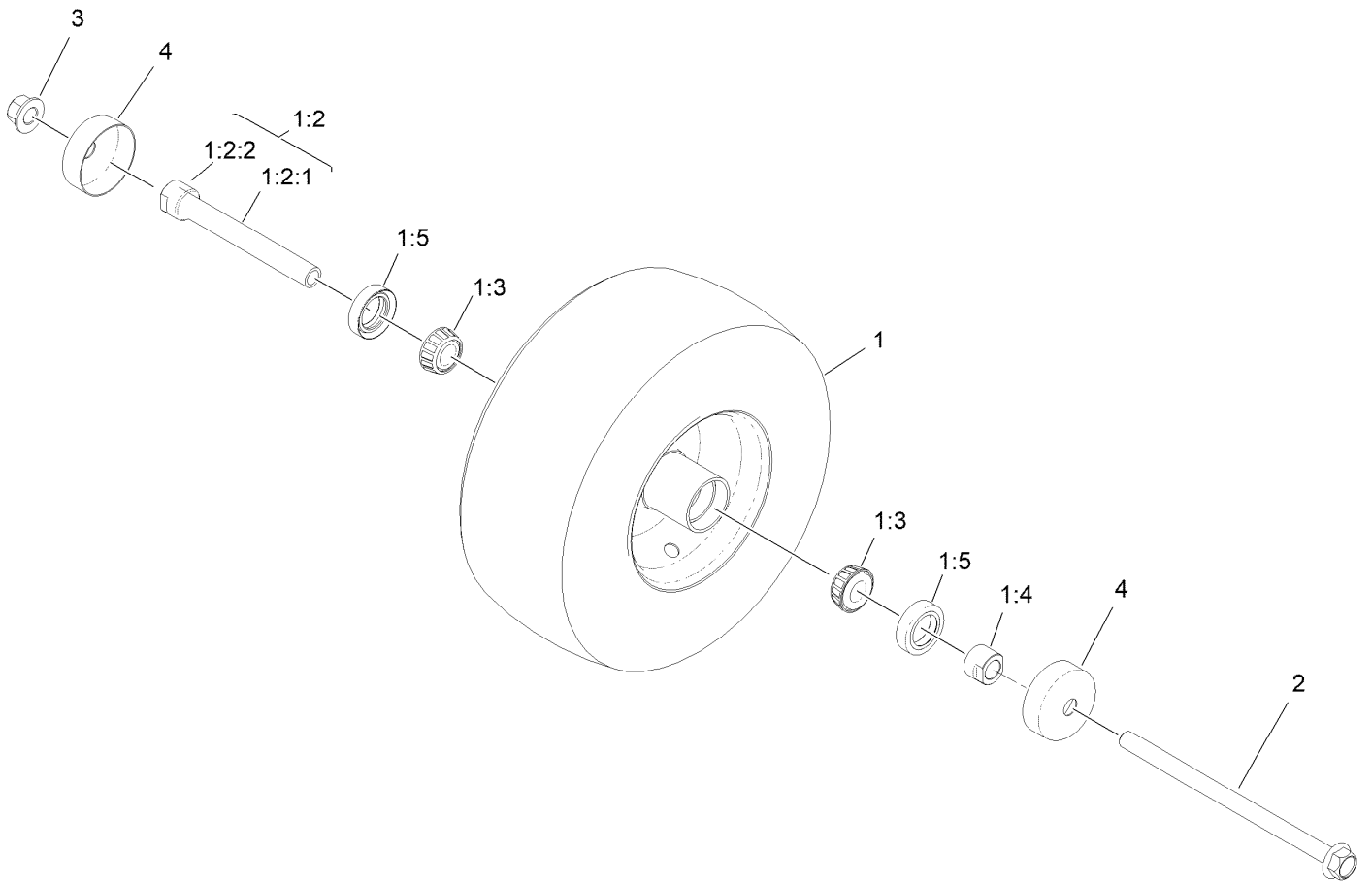
# Frame Assembly



## Frame Assembly (continued)

<i>Ref.</i>	<i>Part Number</i>	<i>Qty.</i>	<i>Description</i>	<i>Ref.</i>	<i>Part Number</i>	<i>Qty.</i>	<i>Description</i>
1	147-2432-01	1	Frame-60 [red]	21	3229-11	1	Screw-CARR
2	1-543509	4	Bearing-Roller, Tapered	22	104-7201	1	Nut-HF, NI
3	116-5647	2	Seal-Grease	23	147-4771-03	1	Bracket-Cross
4	142-9968-01	2	Caster-Fork [red]	24	3234-42	4	Screw-HHF
5	1-633508	6	Washer-Bellville	25	139-5872	2	Bearing-Flange
6	3296-51	2	Nut-Lock, NI	26	116-2887	2	Gusset-Lift, Deck
7	140-4896	2	Semi Pneumatic ASM 13X6.50-6	27	3230-22	4	Screw-CARR
8	144-0375	2	Cap, Grease	28	1-543963	3	Bumper-Rubber
9	1-811010	2	Plug	29	161-7909	1	ASM-Engine Guard
10	3230-2	6	Bolt-CARR	30	3230-10	2	Bolt-CARR
11	3230-6	2	Bolt-CARR	31	93-6079	2	Spacer-Nylon
13	145-5163	1	Tower Decal ASM	32	1-513658	6	Bumper
13:2	147-7921	1	Decal-Oil Level	33	32180-030	1	Clip-Tie
13:3	116-8775	1	Decal-Fill, Fuel	34	2412-39	1	Clamp-R
13:4	139-2878	1	Decal-Warning	35	147-4765	1	Decal-Panel Control, Briggs
13:5	131-3526	1	Decal-Controls	36	133-4641	1	Decal-Warning, No Riders
13:6	147-0212	1	Decal - Fuse	38	3290-271	2	Rivet-Pop
14	161-1339-01	1	Guard-Fan	40	32144-70	3	Screw-HWHTF
15	120-7893	1	Bumper-Grommet	41	145-3595	3	Dome Panel Plug
16	145-1586-01	1	Tube-Fuel Tank Mount	42	147-4805-01	1	Plate-Backing
17	107-3844	2	Washer	43	104-7213	1	Decal
18	104-8300	19	Nut-HF, NI	44	3269-20	2	Rivet-Pop
19	105-4886	4	Nut-Tinnerman	45	147-4825	1	Guide-Belt
20	147-4952	1	Plate-Striker	47	142-5864	1	Decal-Spark Arrester

# Wheel and Bearing Assembly No. 140-4896

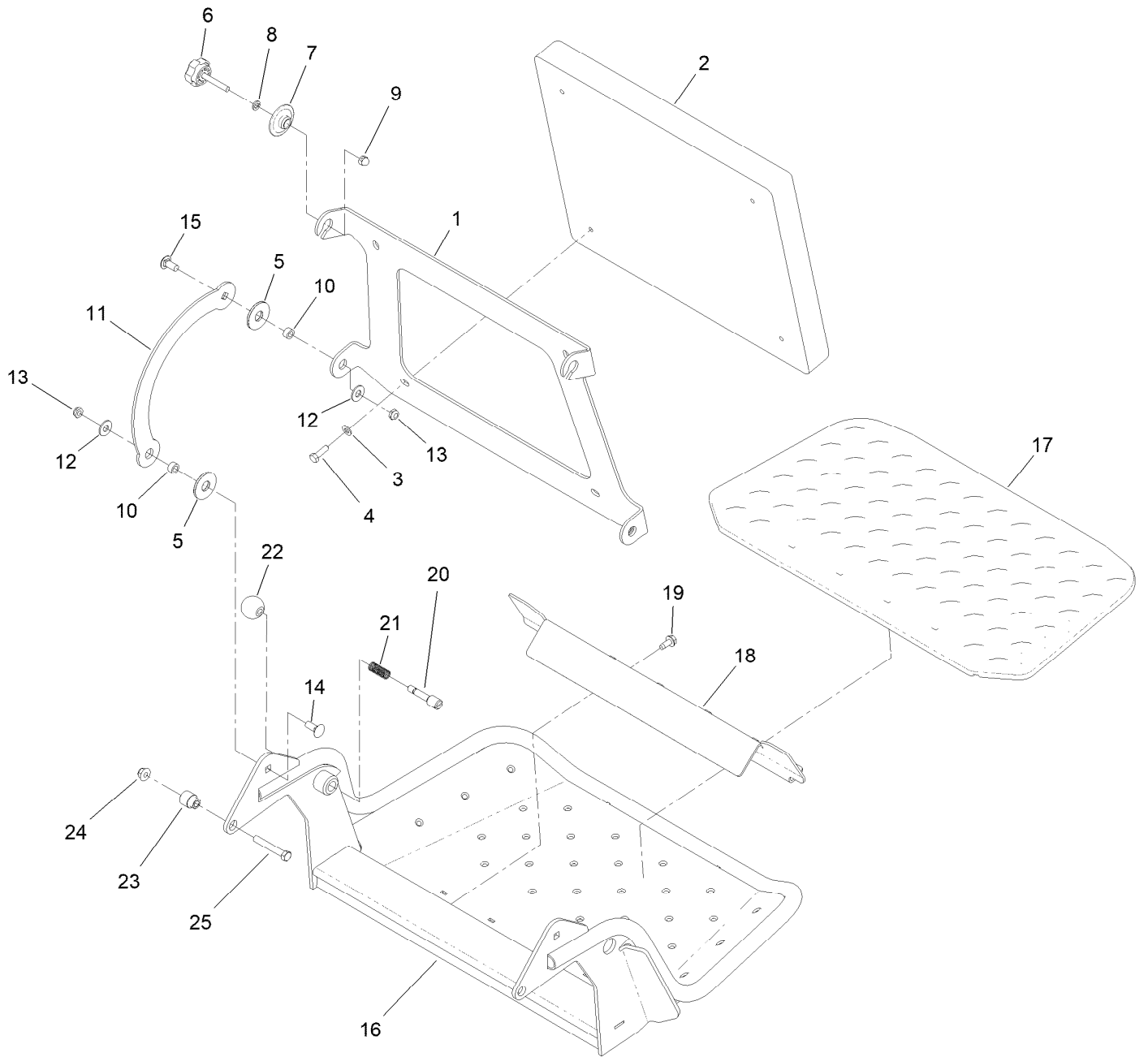


# Wheel and Bearing Assembly No. 140-4896 (continued)

<i>Ref.</i>	<i>Part Number</i>	<i>Qty.</i>	<i>Description</i>	<i>Ref.</i>	<i>Part Number</i>	<i>Qty.</i>	<i>Description</i>
1		1	Wheel And Bearings ASM ●	1:4	103-3051	1	Spacer-Nut
1:2	126-7796	1	Caster Axle ASM	1:5	103-0063	2	Seal-Caster
1:2:1	126-5220	1	Axle-Caster	2	126-5389	1	Screw-HHF
1:2:2	103-3051	1	Spacer-Nut	3	99-5107	1	Nut-Lock
1:3	1-633585	2	Bearing-Cone, Taper	4	103-2768	2	Guard-Seal

● Not serviced separately

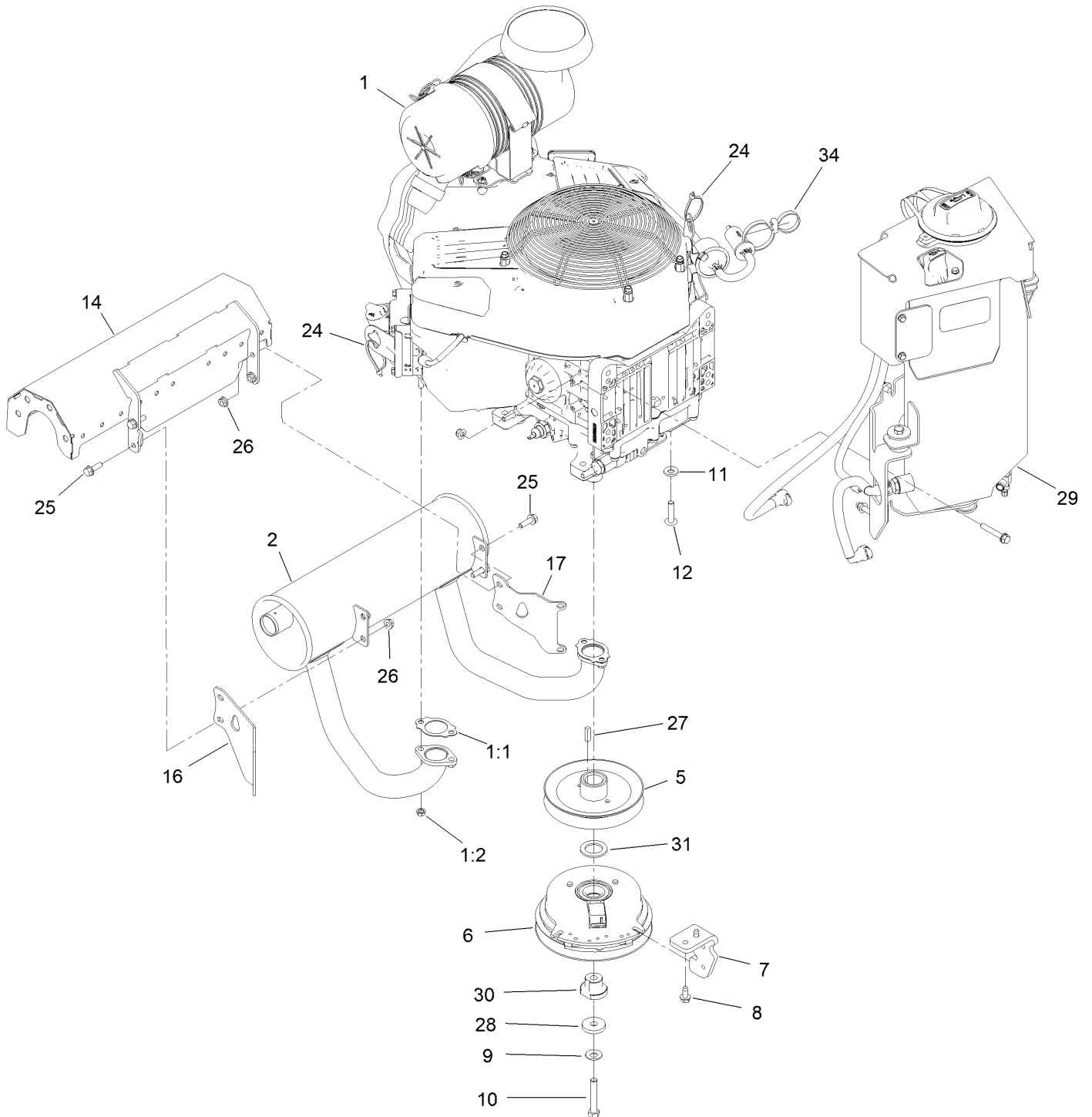
# Platform Assembly



## Platform Assembly (continued)

<i>Ref.</i>	<i>Part Number</i>	<i>Qty.</i>	<i>Description</i>	<i>Ref.</i>	<i>Part Number</i>	<i>Qty.</i>	<i>Description</i>
1	120-8499-03	1	Hinge-Pad	14	3231-2	2	Bolt-CARR
2	147-4839	1	Cushion-Pad	15	3231-27	2	Screw-CARR
3	3256-23	4	Washer-Plain	16	147-4809-01	1	Platform ASM [red]
4	121-7999	4	Screw-HH, Patch	17	126-7157	1	Mat-Platform
5	114-0463	4	Washer-Friction, Composite	18	161-6798	1	Shield Clamp Kit
6	133-1426	2	Knob	19	32144-70	2	Screw-HWHTF
7	116-2886	2	Slide-Bushing	20	119-8650	1	Pin-Latch
8	3253-4	2	Washer-Lock	21	114-5348	1	Spring
9	137-4808	2	Nut-Acorn	22	1-603175	1	Knob-Ball
10	111044	4	Spacer	23	132-7583	2	Bushing-Flanged
11	114-1915-01	2	Link-Pad	24	104-8301	2	Nut-HF, NI
12	3256-4	4	Washer-Flat	25	323-47	2	Screw-HH
13	3296-59	4	Nut-Lock, NI				

# Engine Assembly





## Engine Assembly (continued)

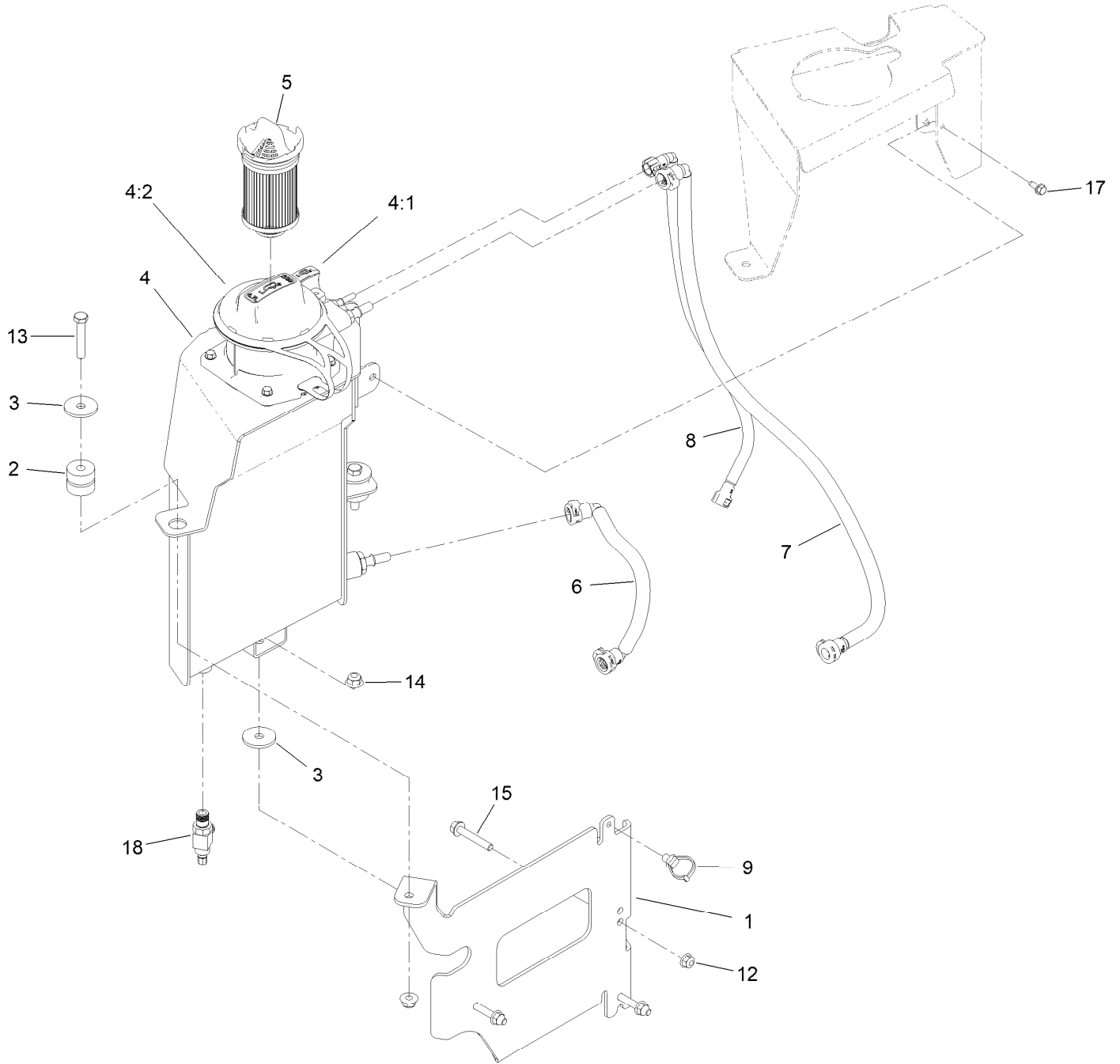
<i>Ref.</i>	<i>Part Number</i>	<i>Qty.</i>	<i>Description</i>	<i>Ref.</i>	<i>Part Number</i>	<i>Qty.</i>	<i>Description</i>
1		1	Engine Vanguard EFI ■▲	25	3234-17	4	Screw-HHF
1:1	142-6842	2	Gasket-Exhaust	26	32128-20	4	Nut-HF
1:2	142-6843	4	Nut-Hex	27	1-807259	1	Key
2	145-6193	1	Muffler, Basco 37HP	28	107-4136	1	Washer-Flat
5	145-6115	1	Pulley	29		1	Oil Guard ASM ■
6	139-7910	1	Clutch-200Cms	30	147-4838	1	Spacer, D-Drive
7	147-0345-03	1	Bracket, Clutch Stop	31	3-6781	1	Washer-Flat
8	32144-70	2	Screw-HWHTF	34	32180-450	1	Tie-Cable, Double Loop
9	1-603610	1	Washer-Spring	99	145-8479	1	Kit-Engine Maint B/S Vanguard ●
10	3212-10	1	Screw-HH	99:1	142-7451	1	Filter-Fuel ●
11	98-5975	4	Washer-Belleville	99:2	142-6841	1	Filter-Oil ●
12	126-0983	4	Screw-BHTF	99:3	142-8433	1	Filter, Outer Air ●
14	147-4831	1	Muffler Guard ASM	99:4	142-8434	1	Filter, Inner Air ●
16	147-3499	1	Bracket-Muffler	99:5	142-8435	2	Plug, Spark ●
17	147-4750	1	Bracket-Muffler	99:6	144-1029	5	Oil, 10W-50 Syn, Qt, Toro ●
24	3290-378	2	Tie-Cable				

● Not illustrated

▲ Obtain parts from [www.briggsandstratton.com](http://www.briggsandstratton.com)

■ Not serviced separately

# Oil Guard Assembly

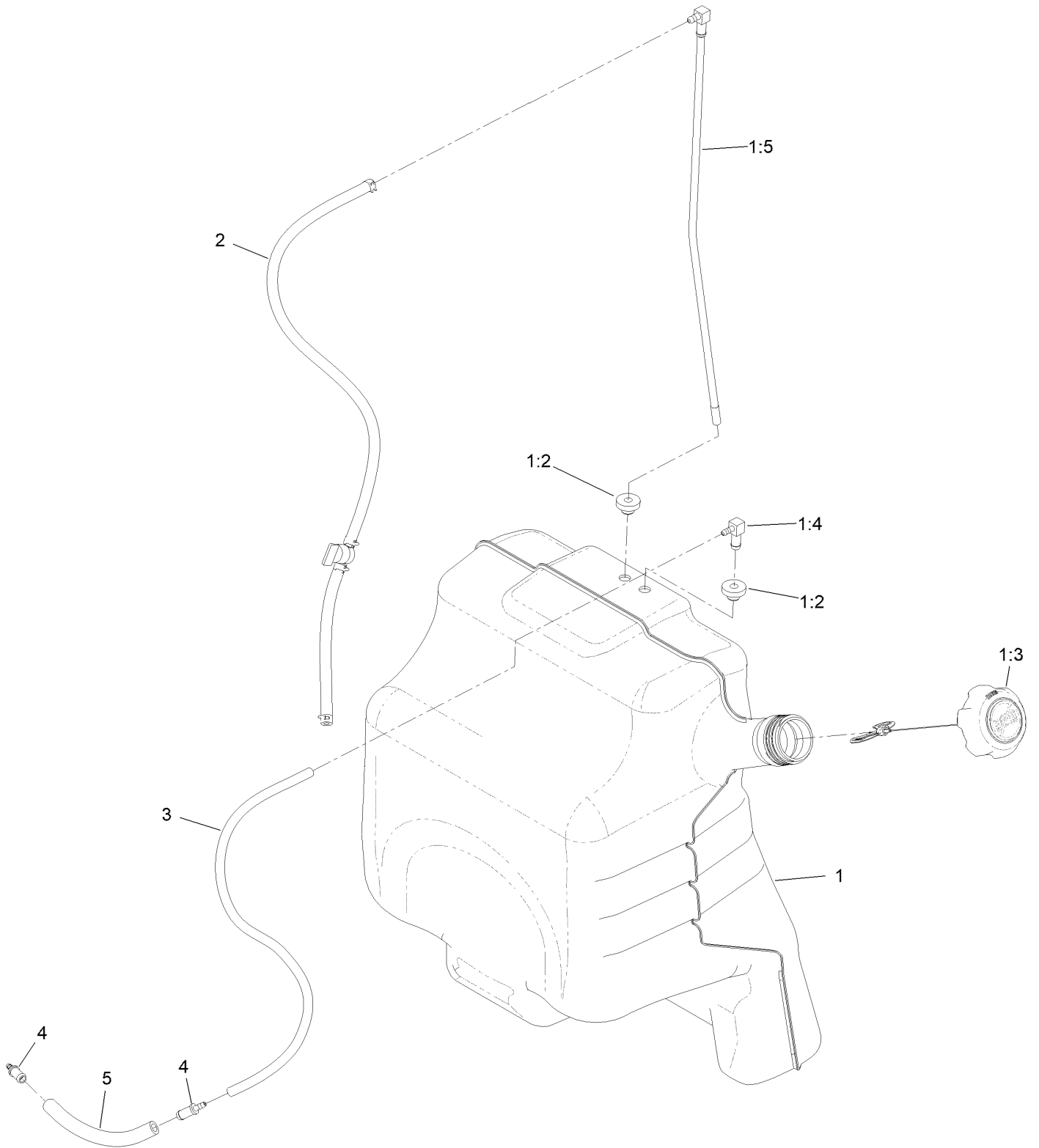


## Oil Guard Assembly (continued)

<i>Ref.</i>	<i>Part Number</i>	<i>Qty.</i>	<i>Description</i>	<i>Ref.</i>	<i>Part Number</i>	<i>Qty.</i>	<i>Description</i>
1	147-0346-03	1	Mount-Tank, Oil	8	147-4970	1	Hose-Vent
2	142-6009	3	Isolator-Tank	9	32180-030	1	Clip-Tie
3	1-213069	4	Washer	12	104-8300	3	Nut-HF, NI
4		1	Reservoir-Oil ●	13	323-10	3	Screw-HH
4:1	142-7452	1	Oil Dipstick ASM	14	104-8301	3	Nut-HF, NI
4:2	142-7453	1	Oil Tank Cap ASM	15	142-6275	3	Screw-HHF
5	142-6841	1	Filter-Oil	17	32144-10	3	Screw-HWH
6	142-7420	1	Hose-Supply	18	103-6602	1	Valve-Oil Drain
7	142-7421	1	Hose-Scavenge				

● Not serviced separately

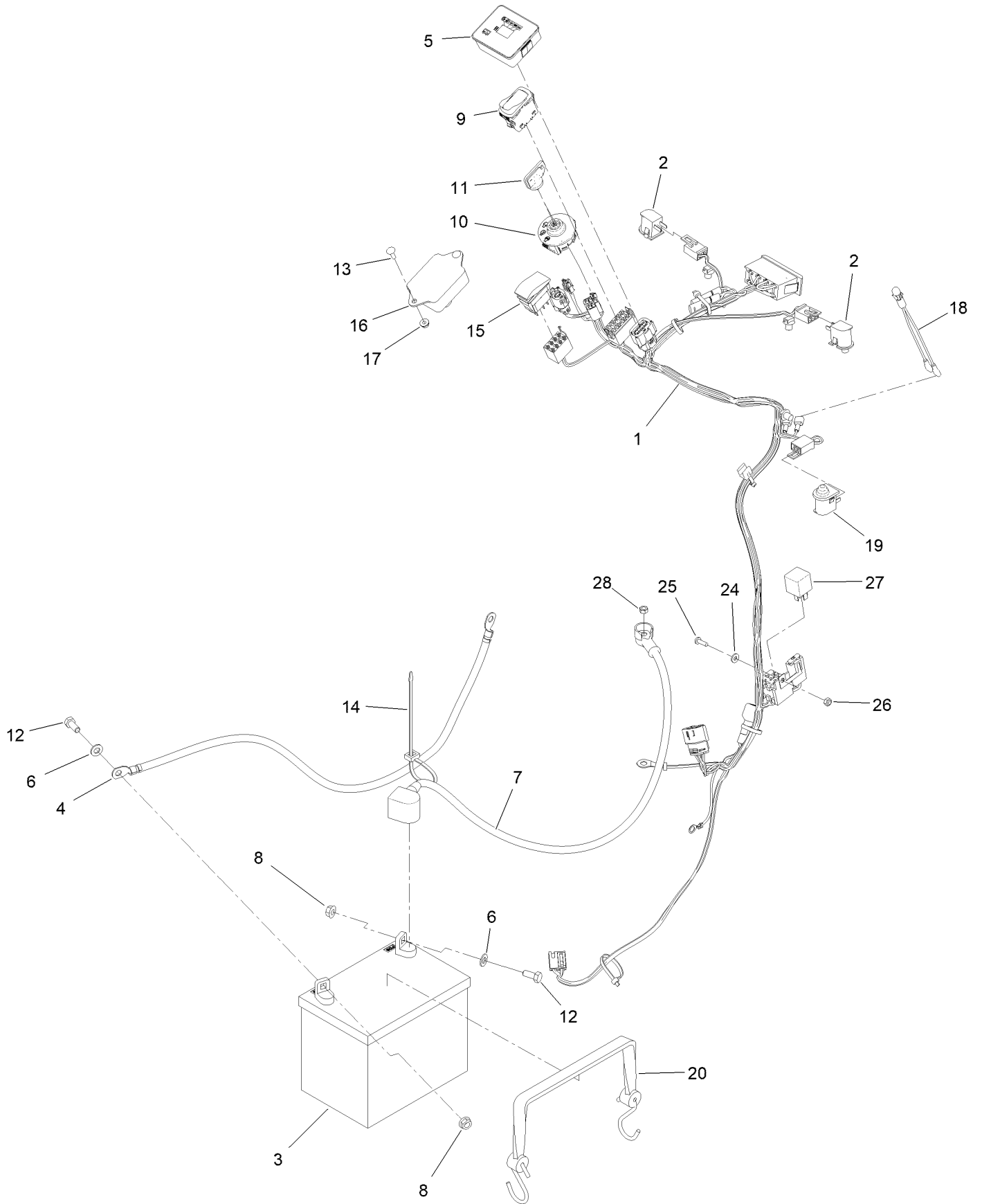
# Fuel Tank Assembly



## Fuel Tank Assembly (continued)

<i>Ref.</i>	<i>Part Number</i>	<i>Qty.</i>	<i>Description</i>	<i>Ref.</i>	<i>Part Number</i>	<i>Qty.</i>	<i>Description</i>
1	132-7560	1	Fuel Tank ASM	2	145-6123	1	Fuel Line ASM
1:2	46-6560	2	Bushing	3	110-8255	1	Hose-Fuel
1:3	137-4127	1	Cap-Fuel	4	98-2952	2	Fitting-Straight
1:4	104-5228	1	Fitting-Elbow, 90 DEG	5	132-7576	1	Hose-Fuel
1:5	145-6195	1	ASM, Tube-Fuel				

# Electrical Assembly



## Electrical Assembly (continued)

<i>Ref.</i>	<i>Part Number</i>	<i>Qty.</i>	<i>Description</i>	<i>Ref.</i>	<i>Part Number</i>	<i>Qty.</i>	<i>Description</i>
1	145-5226	1	Harness-Wire, Grandstand	14	3290-378	5	Tie-Cable
2	82-2190	2	Switch-Bail	15	112-3530	1	Switch-Rocker, On-On-On
3	104-8162	1	Battery	16	147-4767	1	Box-Resistor, ASM
4	147-4795	1	Battery-Cable, Bk ASM	17	32128-17	2	Nut-Lock, Flange
5	140-1884	1	Module-Meter, Hour	18	1-643267	1	Indicator-LED, Red
6	3256-23	2	Washer-Plain	19	133-4654	1	Switch-Plunger
7	147-4794	1	Battery-Cable, Rd ASM	20	139-2381	1	Strap-Rubber
8	109-5715	2	Nut-HHF, Smooth	24	3256-14	1	Washer-Flat
9	139-6367	1	Switch-Rocker, (On)-On-Off	25	3290-500	1	Screw-PPH
10	137-4101	1	Switch-Ignition	26	3296-2	1	Nut-Lock, NI
11	63-8360	1	Key-Ignition	27	1-643275	1	Relay
12	322-3	2	Screw-HH	28	33014-00	1	Nut-Hex
13	1-807533	2	Bolt-CARR				

# Attachments and Accessories

## For 72514 GrandStand HDX Mower With 60in TURBO FORCE Cutting Unit

<b>Product Name</b>	<b>Model/Part</b>
Hypr-Oil 500 (quart) .....	114-4713
Hypr-Oil 500 (gallon).....	114-4714
Hypr-Oil 500-5 (5 gallon).....	114-4715
Harness Wire Splitter .....	121-5988
Toro Premium Fuel Treatment 12oz Bottle.....	131-6572
Speed Setting Tool.....	132-7595
Trash Bag Assembly.....	133-1435
Light Kit.....	133-1437
HOC Set Blocks.....	133-1439
Hydro Oil Change Kit .....	133-1457
Strobe Light Kit .....	133-1495
5 Gallon Bucket .....	133-2533
Hydraulic Cap Lock Kit.....	136-5420
Bucket Mount Kit.....	136-5681
Tweel-Turf Tire.....	139-3649
Recycler Kit .....	139-6655
Blade-20.5 High Flow .....	140-1240
Blade-20.50 Atomic .....	140-1241
Blade-20.50 Medium Flow .....	140-4853
Blade-20.50, Low Flow .....	140-4854
Blade-20.50 Recycler .....	140-4855
6 Pack-Blade, 20.5 High Flow.....	140-4877
6 Pack-Blade, 20.5 Med Flow .....	140-4878
6 Pack-Blade, 20.5 Low Flow .....	140-4879
6 Pack-Blade, 20.5 Atomic.....	140-4880
6 Pack-Blade, 20.5 Recycler.....	140-4881
2 Transmission Filter Kit .....	144-3842
Spark Arrestor, 1.5in .....	146-0561
13x6.5n6 Caster Tweel Asm.....	147-6294
10W30 4-Cycle Engine Oil (32oz Bottle).....	38280
Toro 4-Cycle SAE 30 Oil (32oz Bottle) .....	38903



**Notes:**

**Notes:**

**Notes:**



**Count on it.**