



Count on it.

Parts Catalog

Greensmaster® 1021 Mower

Model No. 04830—Serial No. 416900000 and Up



Ordering Replacement Parts

To order replacement parts, please supply the part number, the quantity, and the description of each part desired.

Understanding Reference Numbers

Each identified part in an illustration has a reference number. The reference number for a part also appears in the parts list, along with other information about the part.

This catalog uses two special reference number formats, one to indicate parts in a service assembly and another to indicate the quantity of a given part in an illustration.

Service Assembly Reference Numbers

Parts in service assemblies have reference numbers in the form a:b. The a represents the reference number of the entire service assembly and the b represents a sequential number unique to each part within the service assembly.

For example, a wheel assembly might be identified by reference number 6, the tire by 6:1, the valve by 6:2, and the wheel by 6:3. When you order the assembly identified by reference number 6, you receive all parts identified by reference numbers 6:1, 6:2, and 6:3. However, you may also order any part individually. Reference numbers of this type appear in illustration and in parts lists.

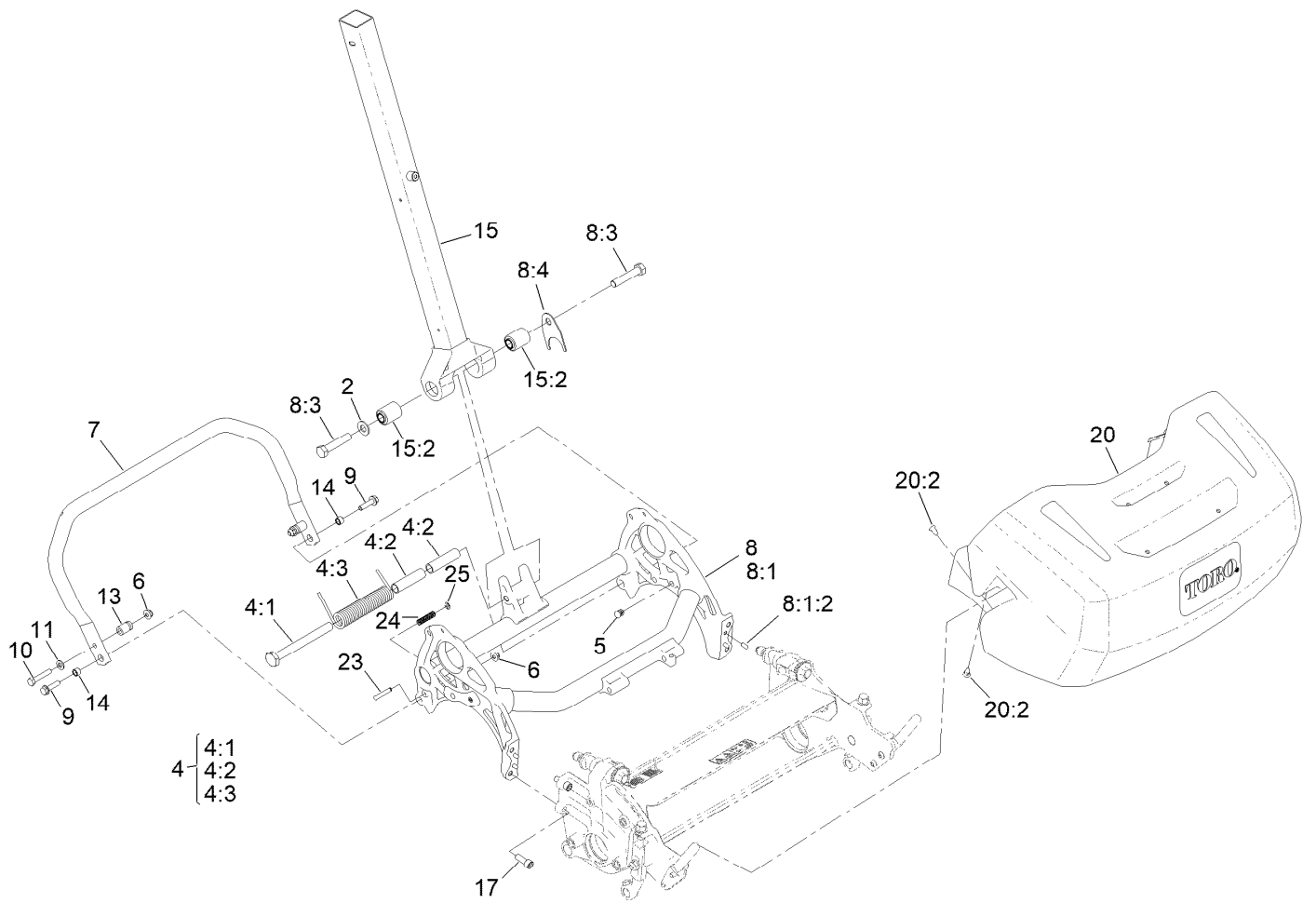
Reference Numbers Indicating Quantity

In an illustration, if a reference number indicates more than one part, the reference number has the form nX y. The n represents the quantity of the part, the X is the multiplication symbol, and the y represents the reference number.

For example, in an illustration, the reference number 2X 37 means that two of the parts identified by reference number 37 are indicated.

Contents

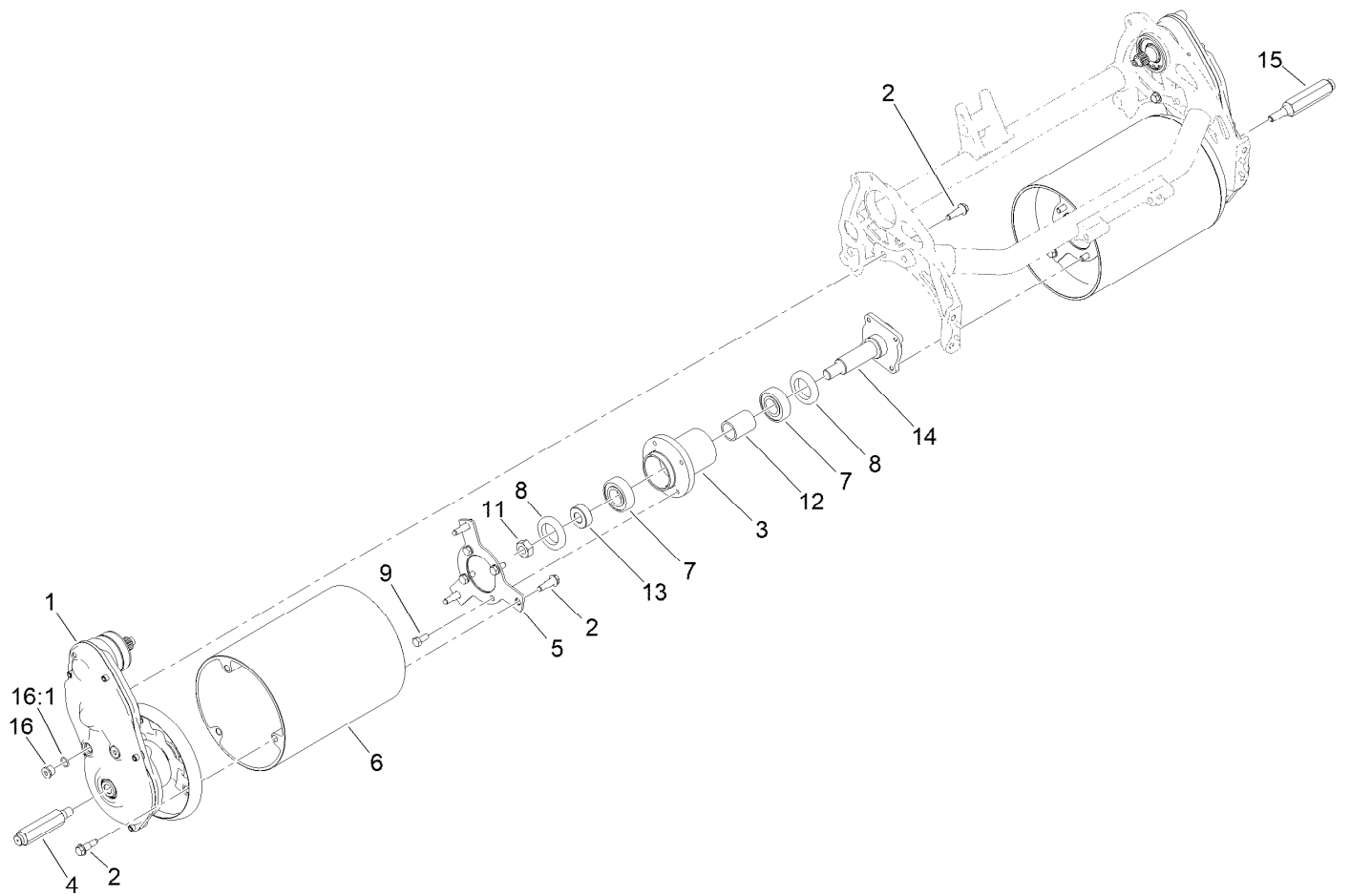
Frame and Handle Mount Assembly	4
Drum Drive Assembly	5
Drum Drive Replacement Kit Assembly No. 147-2345	6
Drum Drive Gear Box Assembly	7
Drive Shaft and Reel Components Assembly	8
Transmission and Engine Assembly	9
Engine Assembly No. 161-7372	11
Transmission Gearbox Assembly No. 140-9324 Transmission Case Assembly	12
Transmission Gearbox Assembly No. 140-9324 Reel Drive Assembly	13
Transmission Gearbox Assembly No. 140-9324 Traction Drive Assembly	14
Differential Assembly No. 132-4555	15
Reel Controls and Covers Assembly	16
Upper Receiver Assembly No. 147-2288	17
Upper Handle Assembly	18
Traction Bail Assembly	19
Miscellaneous Parts Assembly	20
Attachments and Accessories	21



Frame and Handle Mount Assembly

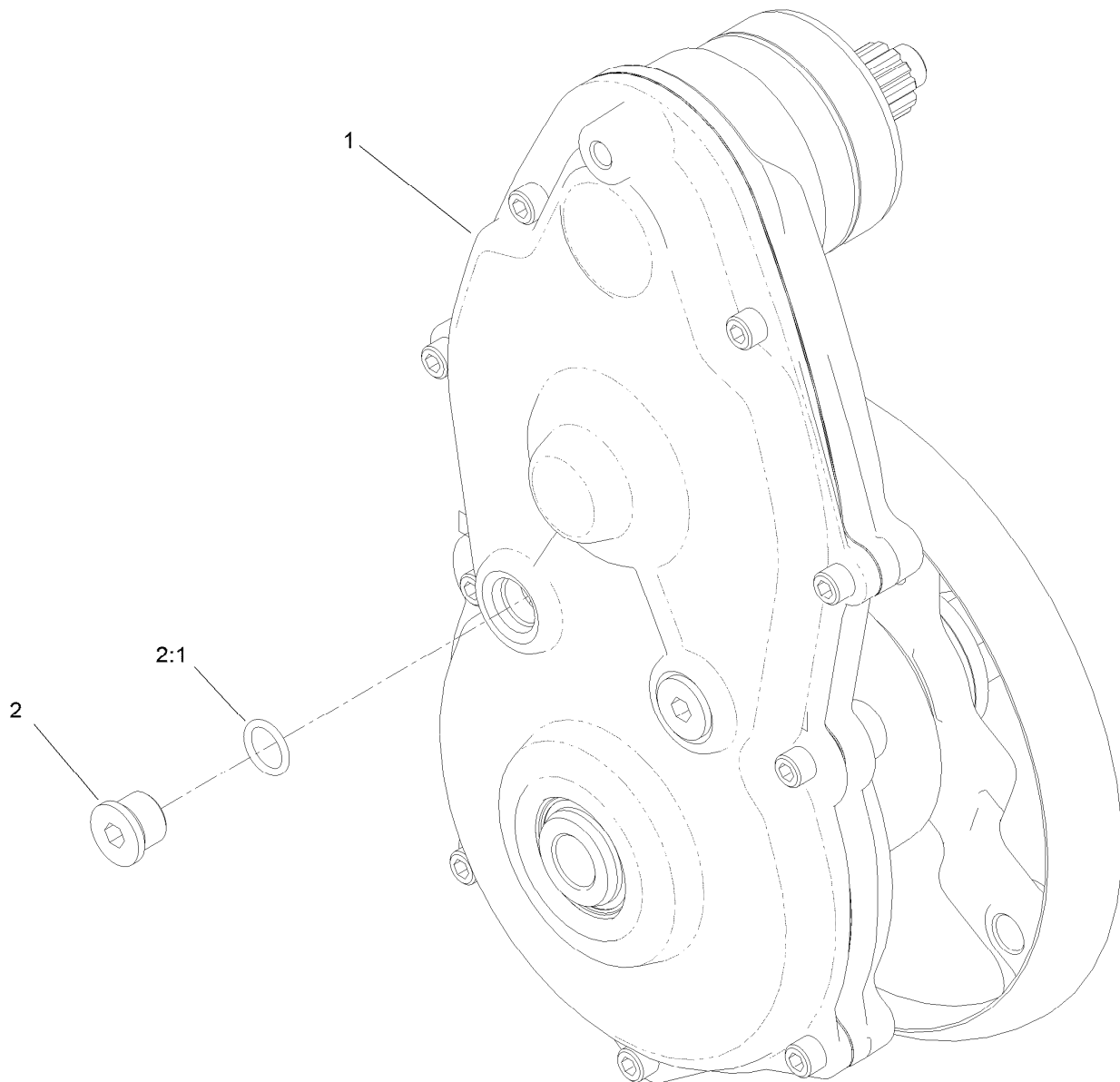
Ref.	Part Number	Qty.	Description	Ref.	Part Number	Qty.	Description
2	3256-26	1	Washer-Flat	9	112-6913	2	Screw-HF
4	147-2290	1	Kit-Kickstand Spring Replacement	10	322-9	2	Screw-HH
4:1	147-2285	1	Pin-Mount, Spring	11	3256-23	2	Washer-Plain
4:2	147-2286	2	Sleeve, Spring-Mount	13	65-7900	2	Retainer-Spring
4:3	147-2268	1	Spring-Torsion, LH	14	65-7910	2	Spacer
5	139-4326	2	Plug-Plastic	15	137-0292	1	Lower Handle ASM
6	119-4041	3	Nut-HF	15:2	138-1469	2	Bushing-Straight
7	147-2272	1	Kickstand, 21 Inch	17	3274-7	4	Screw-HSH
8	140-9344	1	Frame ASM, 21"	20	140-9293	1	Basket-Grass, GR1021
8:1		1	Frame ASM, 21" ●	20:2	121-4729	4	Plug
8:1:2	95-0715	4	Pin-Dowel	23	139-7431	1	Pin-Kickstand, Lock
8:3	325-10	2	Screw-HH	24	73-3450	1	Spring-Compression
8:4	140-9333	1	Washer, Anti-Rotation	25	32151-86	1	E-Ring

● Not serviced separately



Drum Drive Assembly

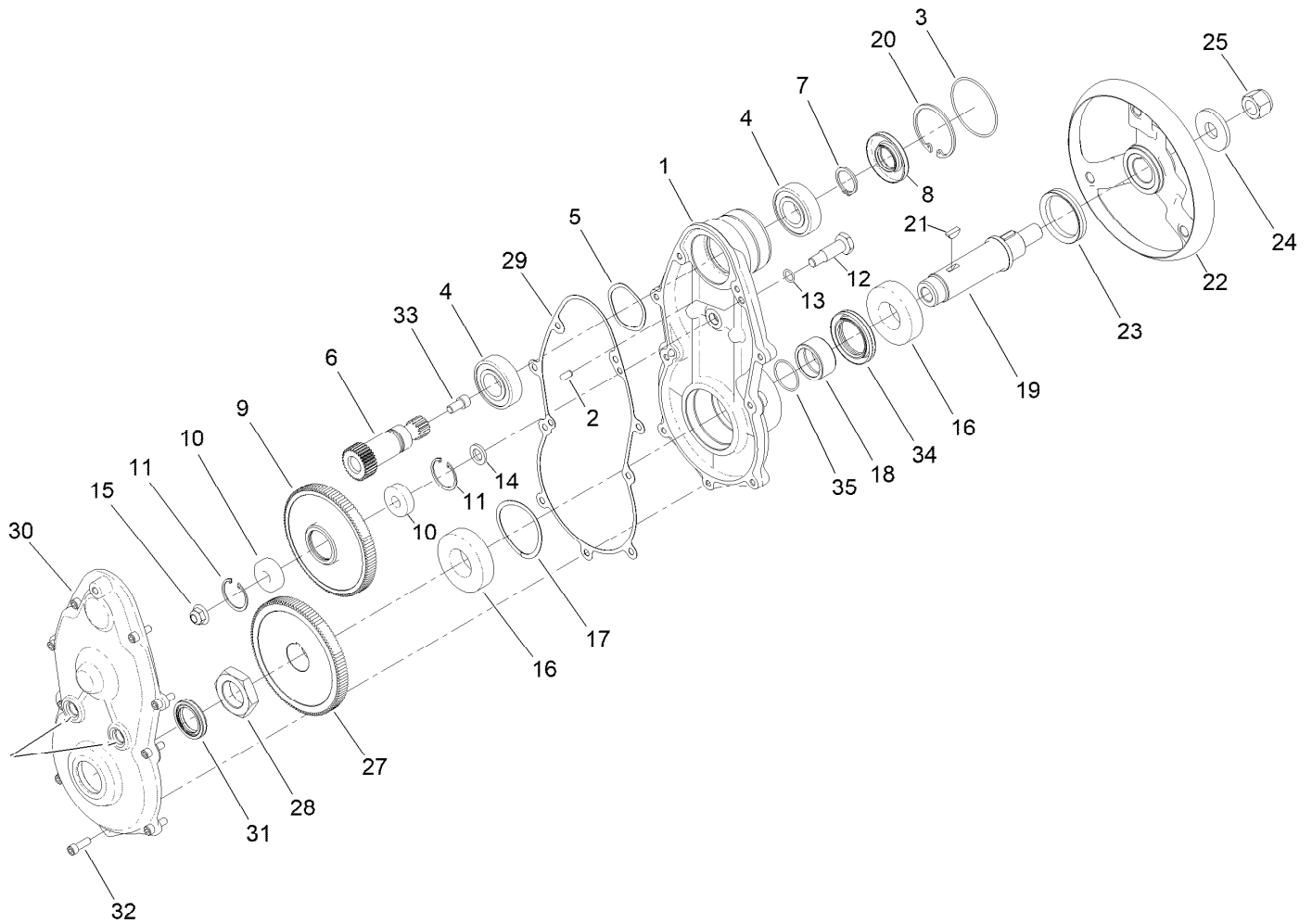
<i>Ref.</i>	<i>Part Number</i>	<i>Qty.</i>	<i>Description</i>	<i>Ref.</i>	<i>Part Number</i>	<i>Qty.</i>	<i>Description</i>
1	147-2345	1	Kit-Drum Drive Replacement	9	114-7728	8	Screw-HF
2	132-4607	14	Bolt-Shoulder, Flange	11	3296-33	1	Nut-Lock, NI
3	132-6971	1	Hub-Drum	12	65-6520	1	Spacer
4	132-4605	1	Shaft-Hex, RH	13	65-6530	1	Spacer
5	147-2257	2	Plate-Drum, Hub	14	94-5850	1	Spindle-Drum
6	133-9246	2	Drum-Traction, 21 Inch	15	132-4606	1	Shaft-Hex, LH
7	251-82	2	Bearing-Ball	16	353-989	4	Plug-Hex, Hollow
8	253-159	2	Seal	16:1	237-42	1	O-Ring



Drum Drive Replacement Kit Assembly No. 147-2345

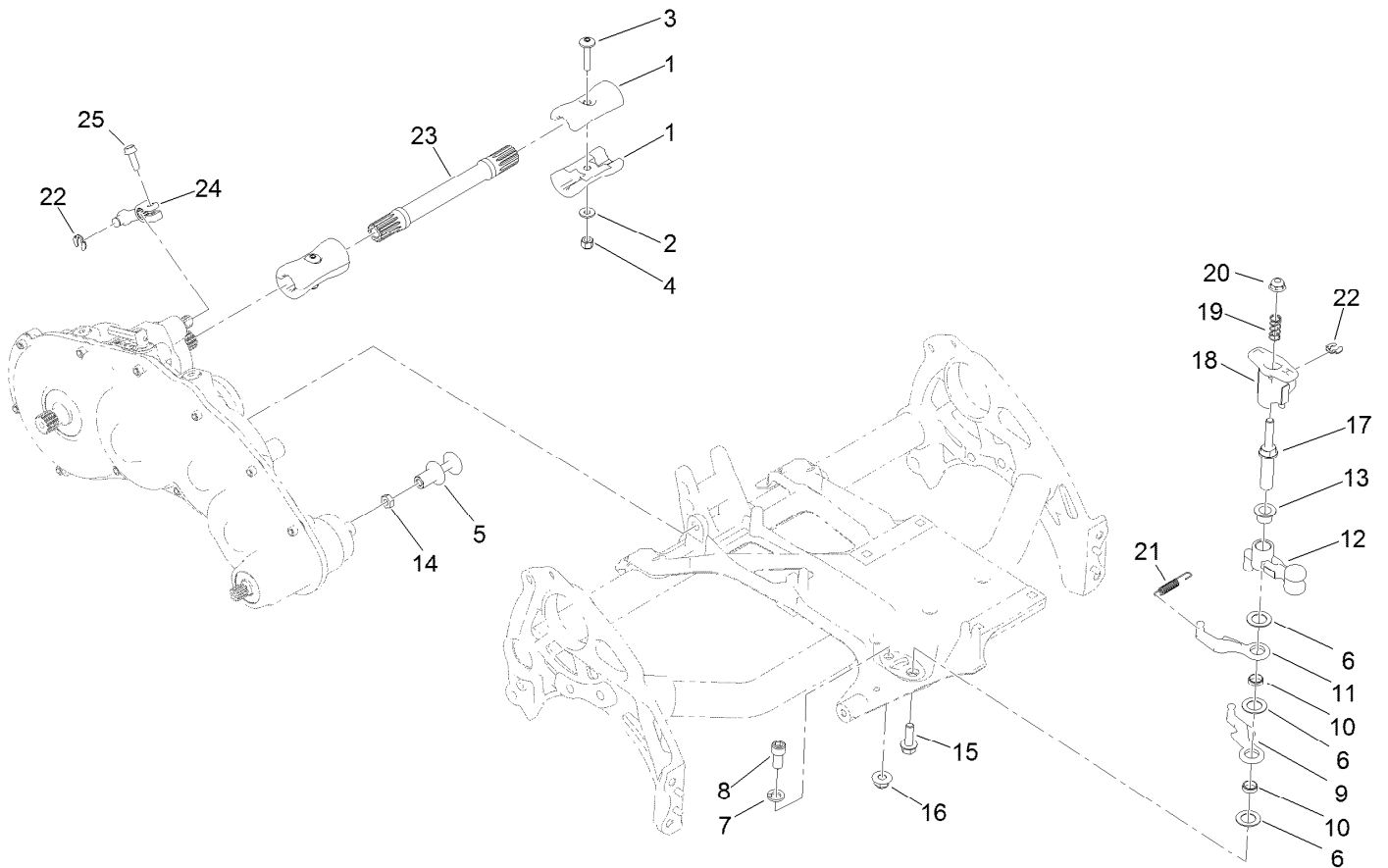
<i>Ref.</i>	<i>Part Number</i>	<i>Qty.</i>	<i>Description</i>
1		1	Drum Drive Gear Box ASM ●
2	353-989	2	Plug-Hex, Hollow
2:1	237-42	1	O-Ring

● Not serviced separately



Drum Drive Gear Box Assembly

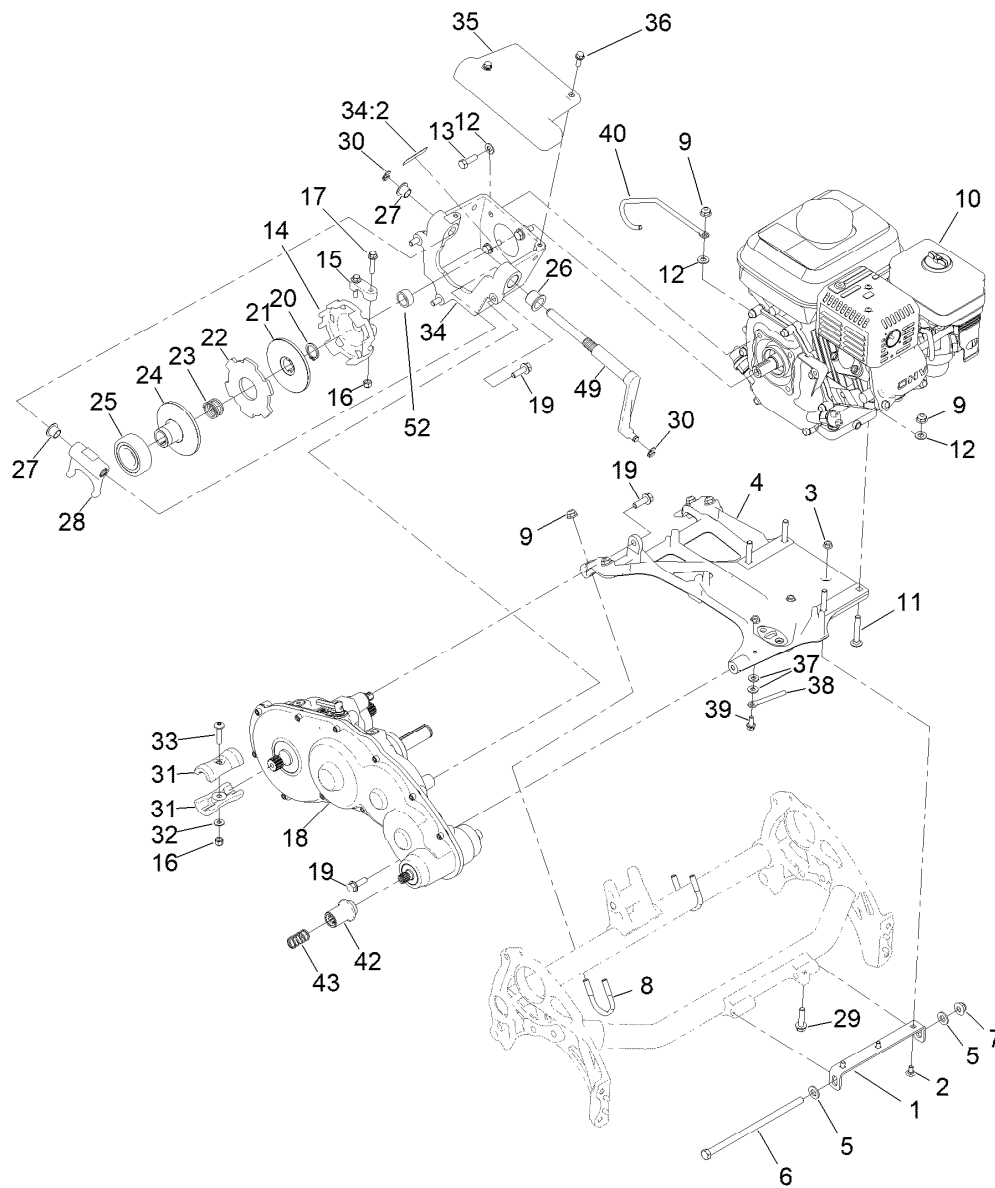
Ref.	Part Number	Qty.	Description	Ref.	Part Number	Qty.	Description
1	147-2321	1	Housing-Drive, Drum	18	147-2348	1	Spacer
2	133-4591	2	Pin-Dowel	19	133-4562	1	Shaft-Drum, Drive
3	133-9082	1	O-Ring	20	138-1480	1	Ring-Retaining, Int (52MM)
4	251-82	2	Bearing-Ball	21	138-1504	2	Key-Woodruff, 5MM
5	3290-485	1	Washer-Wave	22	133-9244	1	Hub-Drum, Outer
6	132-4565	1	Gear-Spur, 30T	23	253-161	1	Seal-V-Ring
7	138-1507	1	Ring-Retaining, EXT (25MM)	24	104-9216	1	Washer-Hardened
8	138-1491	1	Seal-Oil	25	126-3841	1	Nut-Hex, NI
9	137-0274	1	Gear-Spur, 108T	27	147-2349	1	Gear-Spur, 114T
10	49-2410	2	Bearing-Ball	28	133-9078	1	Nut-Hex
11	138-1506	2	Ring-Retaining, Int (32MM)	29	147-2324	1	Gasket-Drum Drive
12	133-4558	1	Pin-Bearing, Short	30	147-2323	1	Cover-Drive, Drum
13	80-8460	1	O-Ring	31	133-4559	1	Seal-Oil
14	133-4553	1	Spacer-Bearing	32	140-9233	9	Screw-HSH
15	119-4042	1	Nut-HF, NI	33	3274-12	1	Screw-HSH
16	251-312	2	Bearing-Ball	34	147-2346	1	Seal-Oil
17	115-5258	1	Spring-Wire, Flat	35	147-2347	1	O-Ring



Drive Shaft and Reel Components Assembly

Ref.	Part Number	Qty.	Description
1	133-9100	4	Coupler-Splined, 4 Tooth
2	119-8952	2	Washer-Spcl
3	126-8232	2	Screw-Truss Hex Skt
4	3296-42	2	Nut-Lock, NI
5	133-9207	1	Adapter-Slider
6	139-7362	3	Washer-Poly
7	3253-21	1	Washer-Lock
8	131-8573	1	Screw-HSH
9	138-1523	1	Reel Lever
10	133-9226	2	Bushing-Straight
11	138-1524	1	Lever-Reel
12	133-9206	1	Bellcrank-Reel
13	125-5239	1	Bushing-Flange

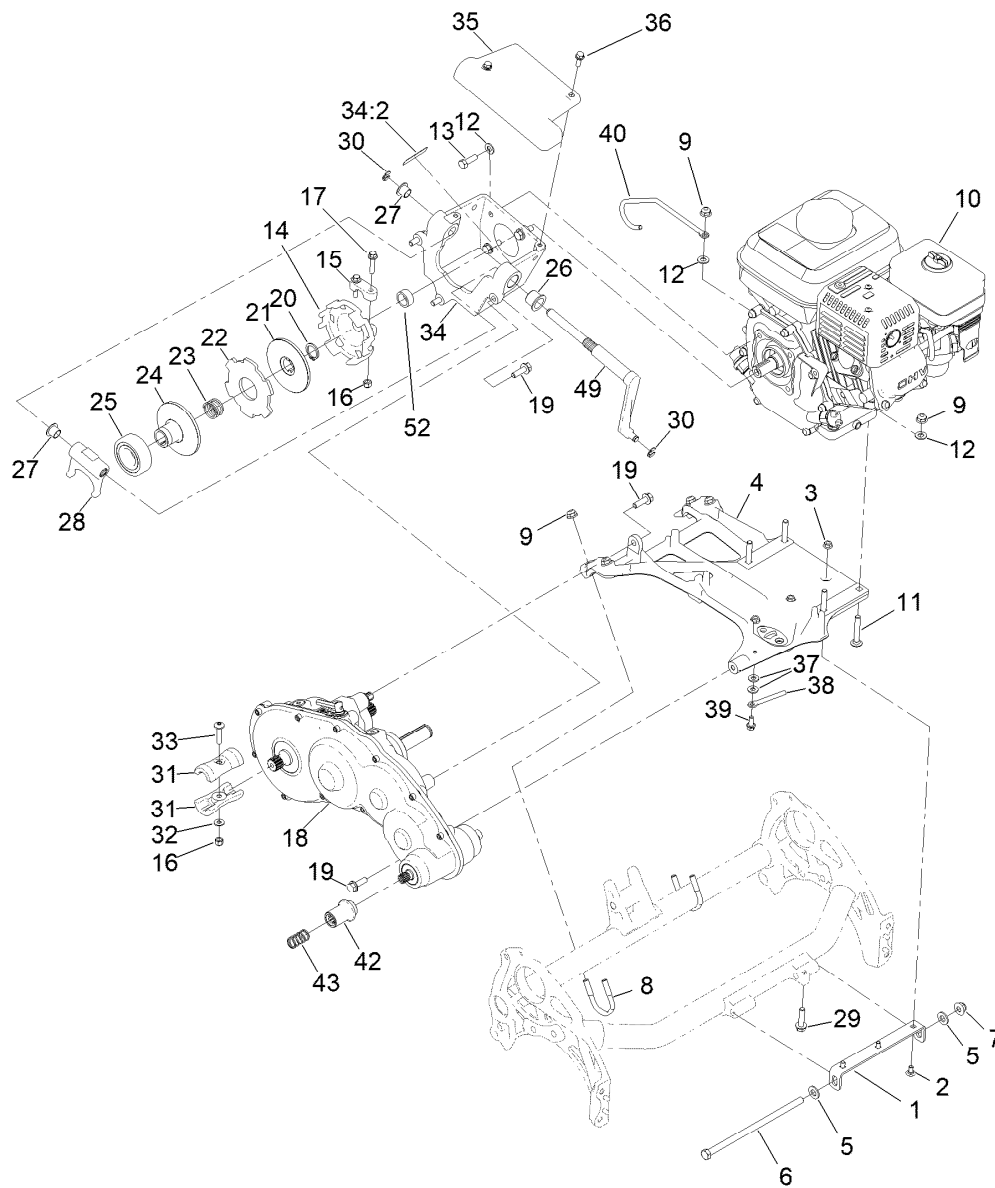
Ref.	Part Number	Qty.	Description
14	120-9638	1	Nut-Jam
15	115-5142	1	Screw-HHF
16	119-4042	1	Nut-HF, NI
17	137-0298	1	Shaft-Selector, Reel
18	137-0299	1	Hub-Selector, Reel
19	117-1031	1	Spring-Compression
20	119-4041	1	Nut-HF
21	119-4609	1	Spring-Extension
22	32151-47	2	Ring-Retaining
23	133-9208	1	Shaft-Drive
24	133-9117	1	Lever-Brake, Cable
25	131-6150	1	Screw-HWHTF



Transmission and Engine Assembly

Ref.	Part Number	Qty.	Description	Ref.	Part Number	Qty.	Description
1	138-1623-01	1	Bracket-Mount, Engine	18	140-9324	1	Kit-Transmission Replacement
2	116-5611	3	Bolt-Carrige 1/4-20 X 1/2 Short Neck	19	115-5142	5	Screw-HHF
3	32128-10	3	Nut-Lock, HHF	20	32151-33	1	Ring-Retaining, EXT
4	138-5517	1	Base-Engine	21	133-9095	1	Disc-Clutch
5	3256-24	2	Washer-Plain	22	133-9094	1	Plate-Friction
6	323-30	1	Screw-HH	23	133-9123	1	Spring-Compression, Clutch
7	119-4042	1	Nut-HF, NI	24	138-1508	1	Disc-Clutch, Slider
8	137-0301	2	Clamp-Tube	25	138-1505	1	Bearing-Sealed, Self Aligning
9	119-4041	8	Nut-HF	26	132-4089	1	Bushing
10	161-7372	1	Engine ASM, Honda ●	27	125-5239	2	Bushing-Flange
11	3230-6	4	Bolt-CARR	28	138-3548	1	Fork-Clutch
12	3256-23	8	Washer-Plain	29	112-6913	1	Screw-HF
13	131-5919	4	Screw-HH, Patch	30	32151-47	2	Ring-Retaining
14	138-3542	1	Hub-Clutch, External	31	133-9100	2	Coupler-Splined, 4 Tooth
15	138-5522	1	Clamp-Hub, Clutch	32	119-8952	1	Washer-Spcl
16	3296-42	3	Nut-Lock, NI	33	126-8232	1	Screw-Truss Hex Skt
17	127-8639	2	Screw-HHF				

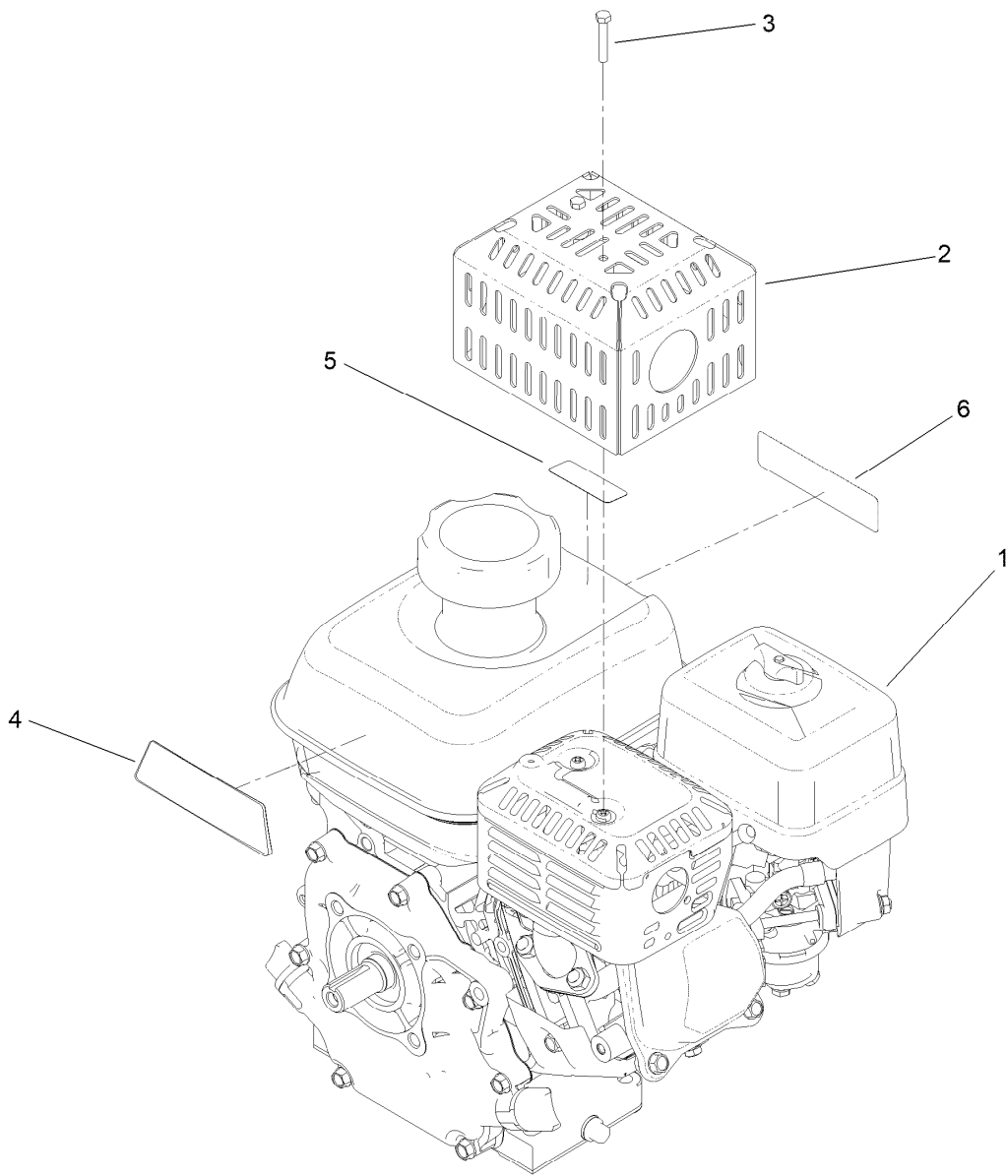
● Obtain parts from www.honda-engines.com



Transmission and Engine Assembly (continued)

<i>Ref.</i>	<i>Part Number</i>	<i>Qty.</i>	<i>Description</i>	<i>Ref.</i>	<i>Part Number</i>	<i>Qty.</i>	<i>Description</i>
34	139-4301	1	Bell Housing ASM	40	139-4309	1	Guide-Cable
34:2	120-9570	1	Decal-Warning	42	140-9366	1	Tube-Drive, Reel
35	138-5545	1	Cover-Clutch	43	133-9128	1	Spring-Compression, Coupler
36	119-1138	2	Screw-HHF, Patch	49	138-3549	1	Shaft-Fork
37	3256-22	2	Washer-Flat	52	147-2265	1	Spacer-Clutch
38	138-1591	1	Guide-Cable				
39	3234-33	1	Screw-HHF				

● Obtain parts from www.honda-engines.com

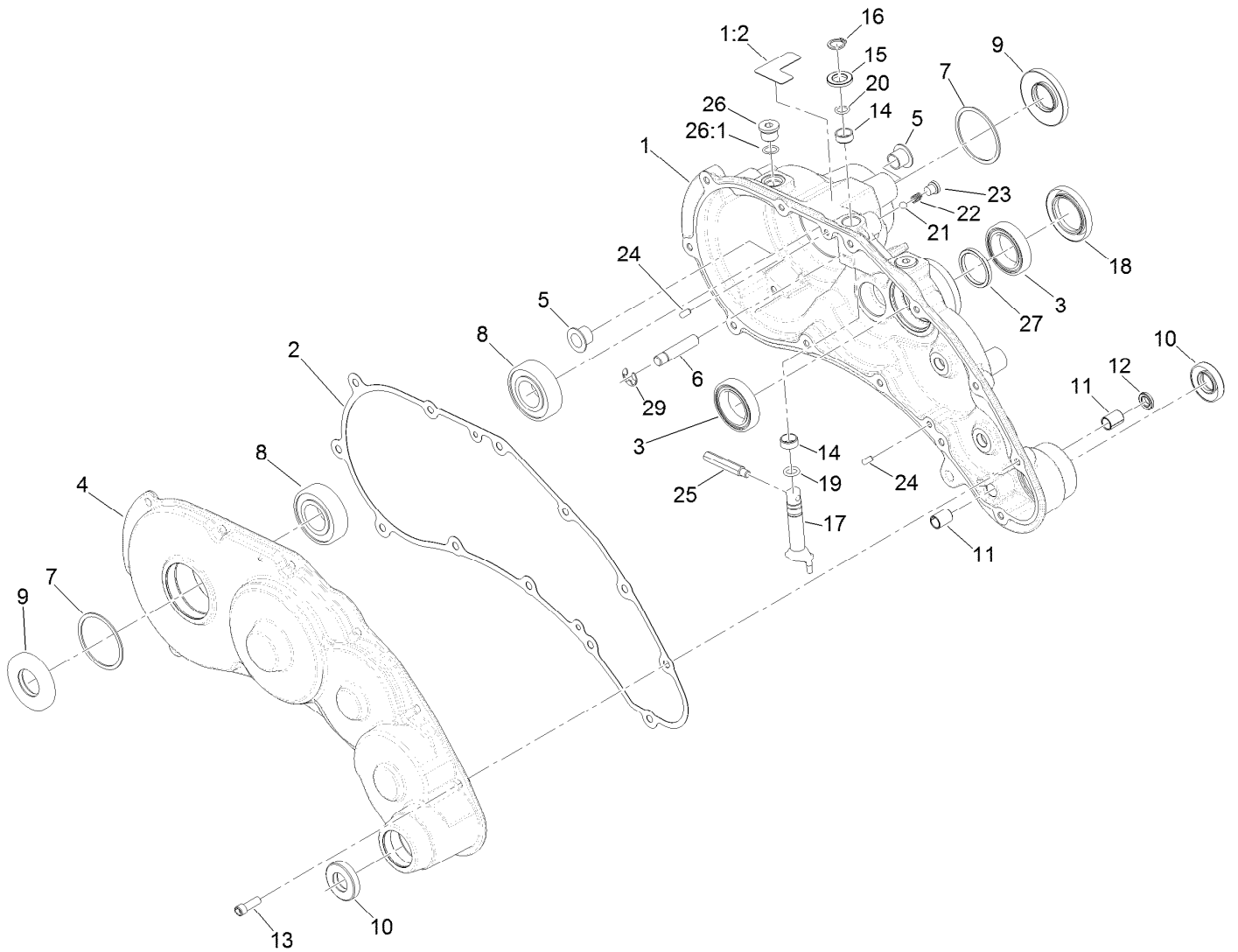


Engine Assembly No. 161-7372

Ref.	Part Number	Qty.	Description
1		1	Engine ASM, Honda ●■
2	138-2128-03	1	Guard-Muffler
3	87-5150	2	Screw-HH
4	138-2138	1	Decal-Warning, Engine
5	130-8322	1	Decal-Warning, Ethanol
6	133-8062	1	Decal-Spark Arrestor

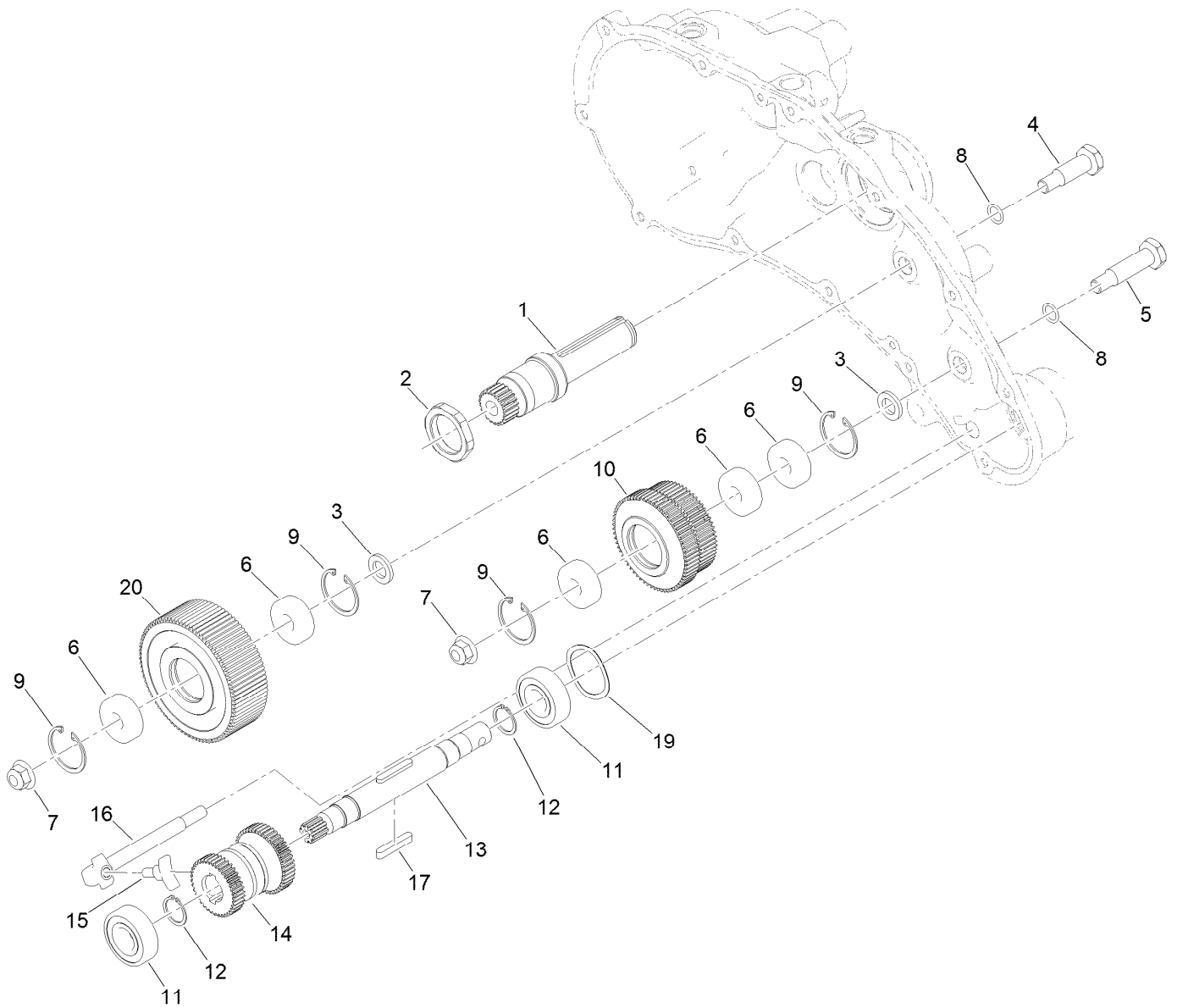
● Not serviced separately

■ Obtain parts from www.honda-engines.com



Transmission Gearbox Assembly No. 140-9324 Transmission Case Assembly

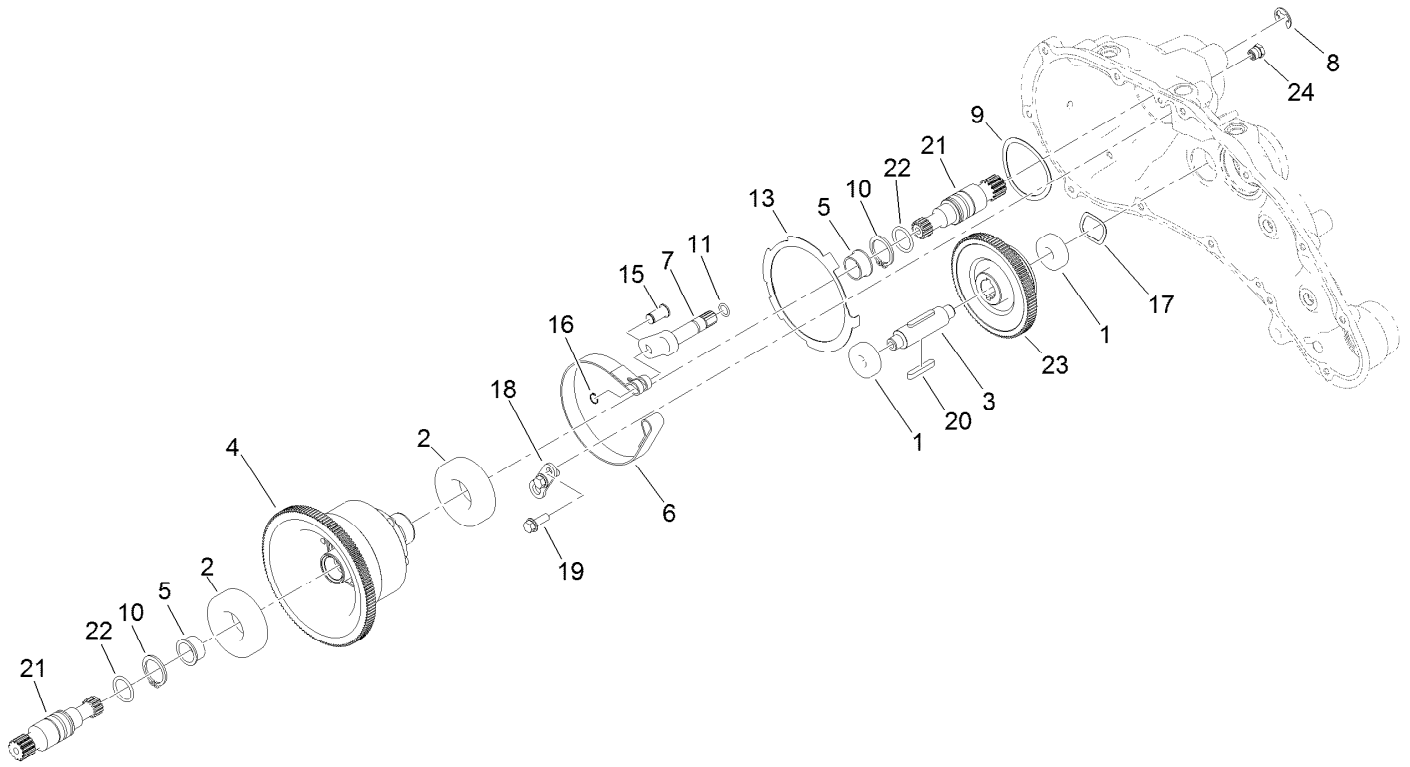
<i>Ref.</i>	<i>Part Number</i>	<i>Qty.</i>	<i>Description</i>	<i>Ref.</i>	<i>Part Number</i>	<i>Qty.</i>	<i>Description</i>
1	139-4306	1	Transmission Housing ASM	15	108-5059	1	Spacer-Bushing
1:2	138-1644	1	Decal-Release, Traction	16	32151-61	1	Ring-Retaining
2	132-4551	1	Gasket-Transmission	17	130-6816	1	Shaft-Selector, Traction
3	121-9281	2	Bearing-Ball	18	140-9325	1	Seal-Grease, High Temp
4	138-1603	1	Transmission Cover ASM	19	131-1879	1	O-Ring Seal
5	125-5239	2	Bushing-Flange	20	237-22	1	O-Ring
6	133-9122	1	Pin-Mount, Brake	21	105-2442	1	Ball-Detent
7	32151-92	2	Ring-Retaining	22	105-2443	1	Spring-Detent
8	251-82	2	Bearing-Ball	23	131-1825	2	Plug-ORB
9	133-9075	2	Seal-Oil	24	121-9249	2	Pin-Dowel
10	130-9463	2	Seal-Oil	25	133-9149	1	Pin-Groomer
11	131-3038	2	Bushing-Sleeve	26	353-989	2	Plug-Hex, Hollow
12	131-3126	1	Seal-Oil	26:1	237-42	1	O-Ring
13	140-9233	12	Screw-HSH	27	138-1496	1	Spacer
14	121-4738	2	Bushing-Straight	29	105-7004	1	E-Ring



Transmission Gearbox Assembly No. 140-9324 Reel Drive Assembly

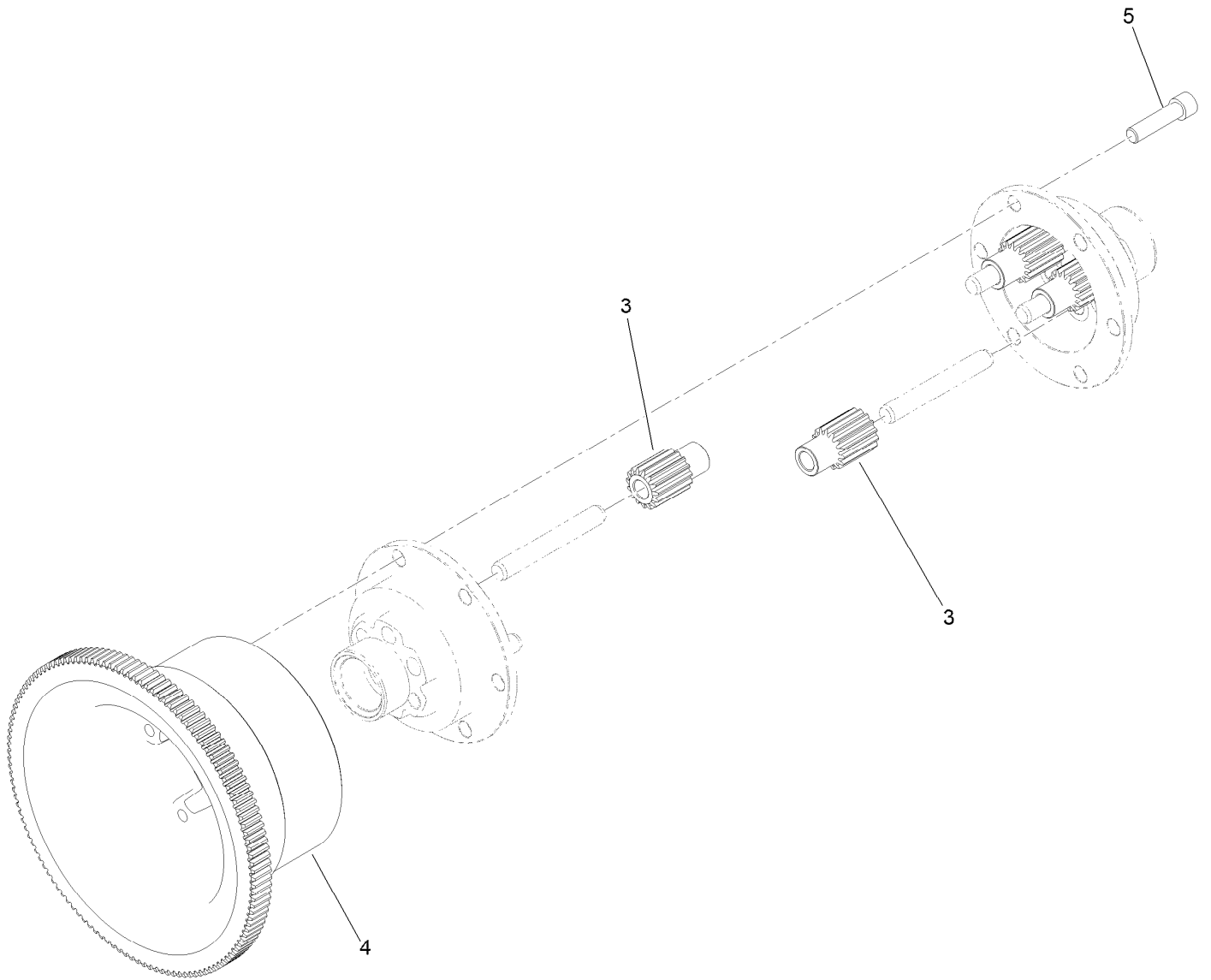
<i>Ref.</i>	<i>Part Number</i>	<i>Qty.</i>	<i>Description</i>
1	138-1509	1	Shaft-Input, 22T
2	138-1495	1	Nut-Lock, Thin
3	133-4553	2	Spacer-Bearing
4	133-4558	1	Pin-Bearing, Short
5	133-4557	1	Pin-Bearing, Long
6	49-2410	5	Bearing-Ball
7	104-8301	2	Nut-HF, NI
8	80-8460	2	O-Ring
9	138-1506	4	Ring-Retaining, Int (32MM)
10	137-0272	1	Gear-Spur, 60T/65T

<i>Ref.</i>	<i>Part Number</i>	<i>Qty.</i>	<i>Description</i>
11	38-7820	2	Bearing-Ball
12	138-1629	2	Ring-Retaining, EXT (17MM)
13	139-4359	1	Shaft-Drive, Reel
14	130-6834	1	Gear-Spur, Slider
15	133-9120	1	Shoe-Clutch, Reel
16	133-9121	1	Actuator-Clutch, Reel
17	103-2739	2	Key
19	131-3170	1	Spring-Wave
20	137-0273	1	Gear-Spur, 85T



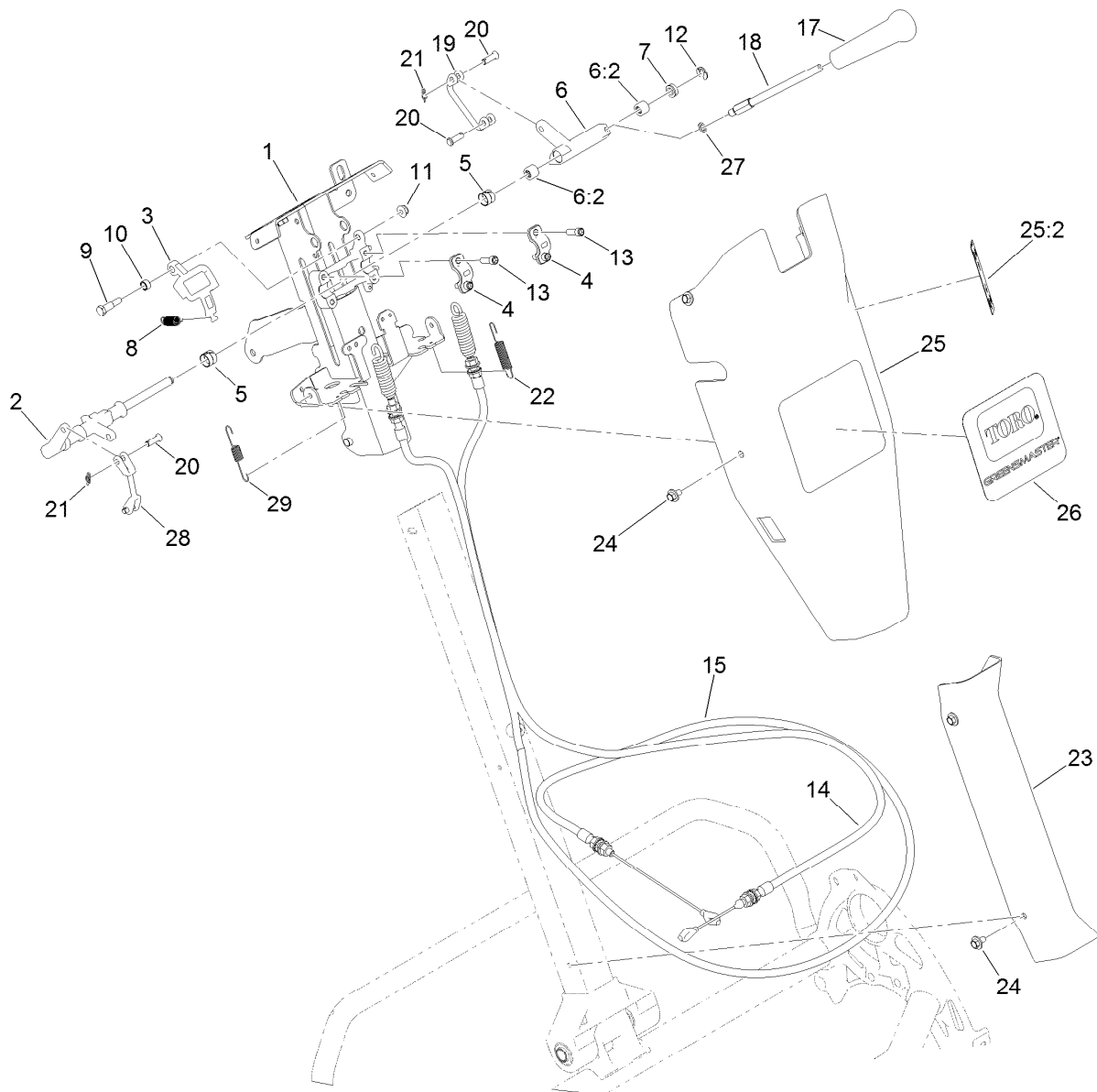
Transmission Gearbox Assembly No. 140-9324 Traction Drive Assembly

<i>Ref.</i>	<i>Part Number</i>	<i>Qty.</i>	<i>Description</i>	<i>Ref.</i>	<i>Part Number</i>	<i>Qty.</i>	<i>Description</i>
1	49-2410	2	Bearing-Ball	13	140-9236	1	Plate-Retainer, Brake
2	251-312	2	Bearing-Ball	15	120-9687	1	Pin-Clevis, Brake
3	137-0236	1	Shaft-Slider, Neutral	16	32120-46	1	Ring-Retaining
4	132-4555	1	Differential ASM	17	112-5163	1	Washer-Wave
5	256-252	2	Bearing-Flange	18	140-9279	1	Plate-Retainer, Pin
6	140-9277	1	Band-Brake	19	119-1138	2	Screw-HHF, Patch
7	132-4550	1	Lever-Brake	20	103-2739	2	Key
8	32120-47	1	Ring-Retaining, External	21	130-6841	2	Shaft-Differential
9	115-5258	1	Spring-Wire, Flat	22	237-159	2	O-Ring
10	32151-36	2	Ring-Retaining	23	137-0276	1	Gear-Spur, Neutral (93T)
11	237-22	1	O-Ring	24	133-4589	1	Fitting-Plug



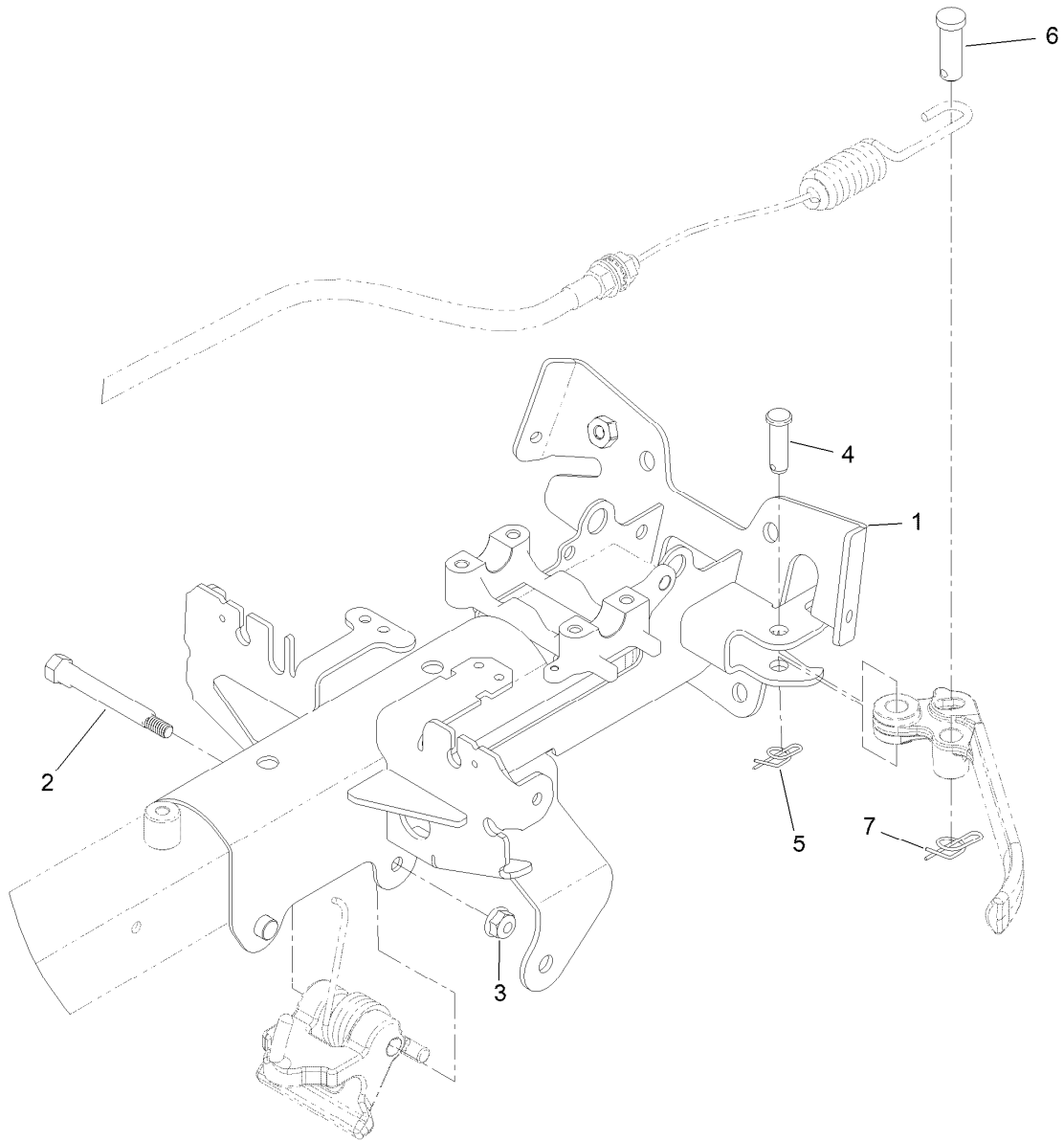
Differential Assembly No. 132-4555

<i>Ref.</i>	<i>Part Number</i>	<i>Qty.</i>	<i>Description</i>
3	130-6840	6	Gear-Spur, Differential
4	137-0294	1	Gear-Differential, 127T
5	3274-26	6	Screw-HSH



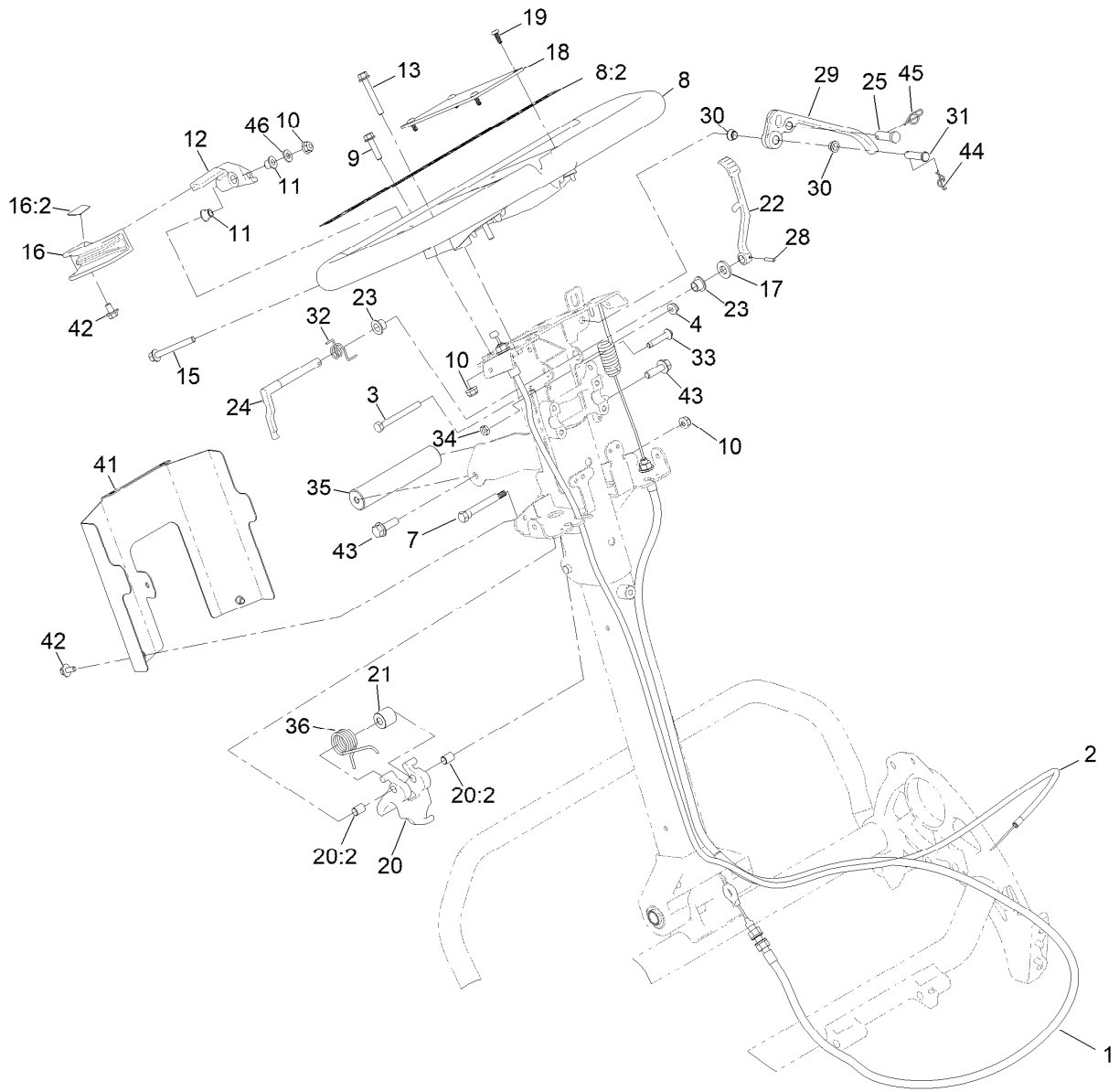
Reel Controls and Covers Assembly

Ref.	Part Number	Qty.	Description	Ref.	Part Number	Qty.	Description
1	147-2288	1	Kit- Upper Receiver Replacement	15	140-9330	1	Cable-Reel Engagement
2	140-9305	1	Shaft-Main, Controls	17	104-9760	1	Knob-Black
3	137-0266	1	Cam-Latch, Upper	18	137-0190	1	Rod-Handle, Reel Lever
4	138-1513	2	Clamp-Shaft, Control	19	137-0232	1	Connector-Clevis
5	137-0263	2	Bushing-Split	20	1-808265	4	Pin-Clevis
6	137-0312	1	Reel Lever ASM	21	138-1587	2	Clip-Pin, Cotter
6:2	138-1637	2	Bearing-Needle	22	138-1536	1	Spring-Extension
7	131-3187	1	Seal-V-Ring	23	138-1479	1	Cover-Handle, Lower
8	140-3410	1	Spring-Extension	24	46-6810	8	Screw And Washer ASM
9	137-0313	1	Screw-Shoulder	25	139-4304	1	Control Upper Cover ASM
10	137-0346	1	Spacer-Latch, Bail	25:2	138-1589	1	Decal-Reel Drive Engagement
11	104-7201	1	Nut-HF, NI	26	138-1580	1	Decal-Greensmaster 1021
12	32151-47	1	Ring-Retaining	27	75-5470	1	Spacer-Bearing
13	140-9233	4	Screw-HSH	28	138-1592	1	Connector-Clevis
14	137-0180	1	Cable-Clutch	29	140-3417	1	Spring-Extension



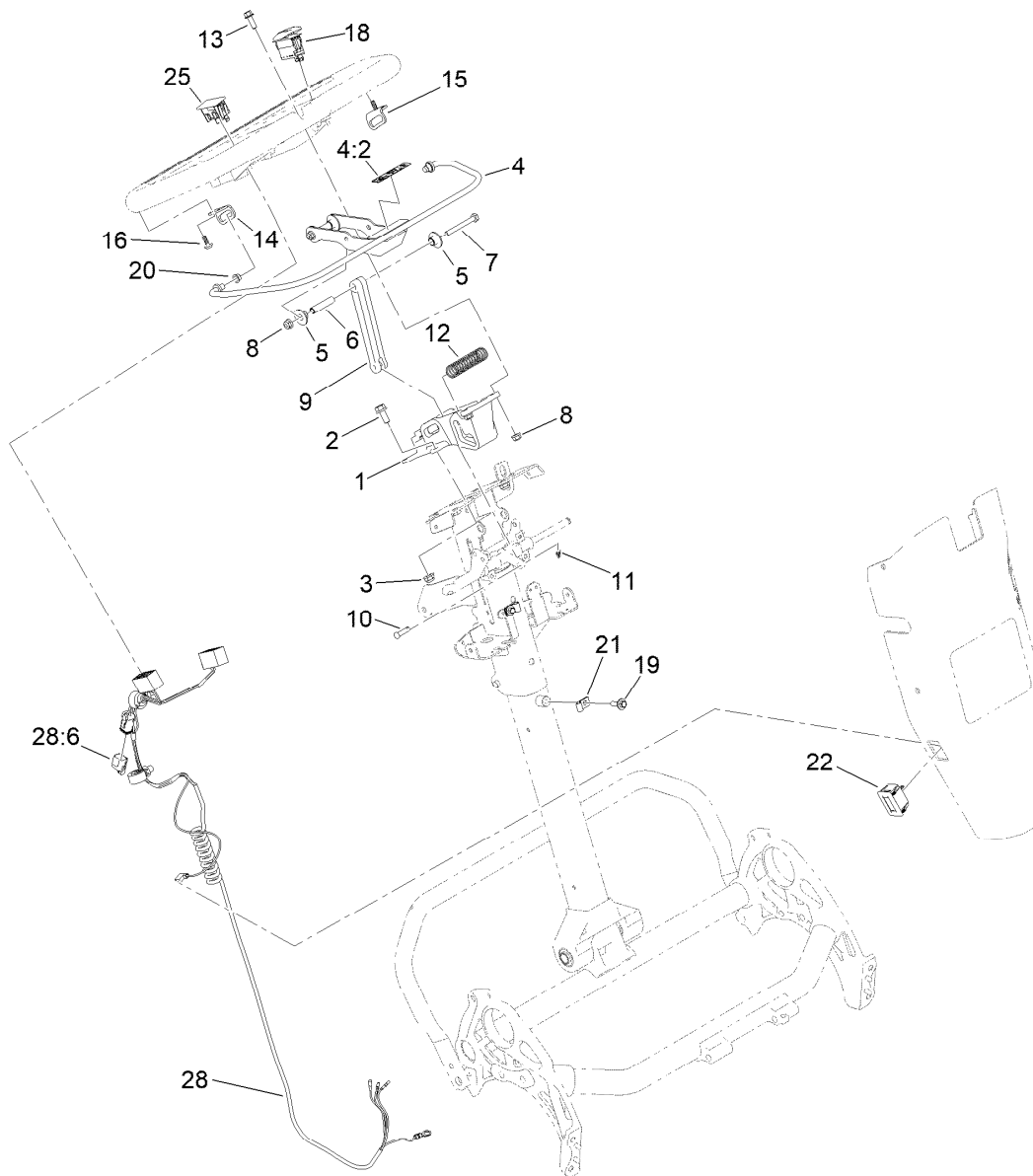
Upper Receiver Assembly No. 147-2288

<i>Ref.</i>	<i>Part Number</i>	<i>Qty.</i>	<i>Description</i>
1	147-2284-0P	1	Upper Receiver, Welded
2	147-2269	1	Cam-Handle, Pivot
3	119-4040	1	Nut-HF, NI
4	283-61	1	Pin-Yoke
5	116-6639	1	Pin-Cotter, Locking
6	1-808285	1	Pin-Clevis
7	140-9312	1	Pin-Cotter, Locking



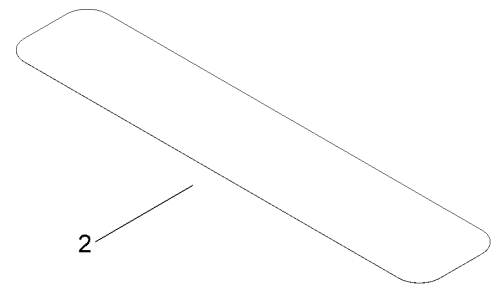
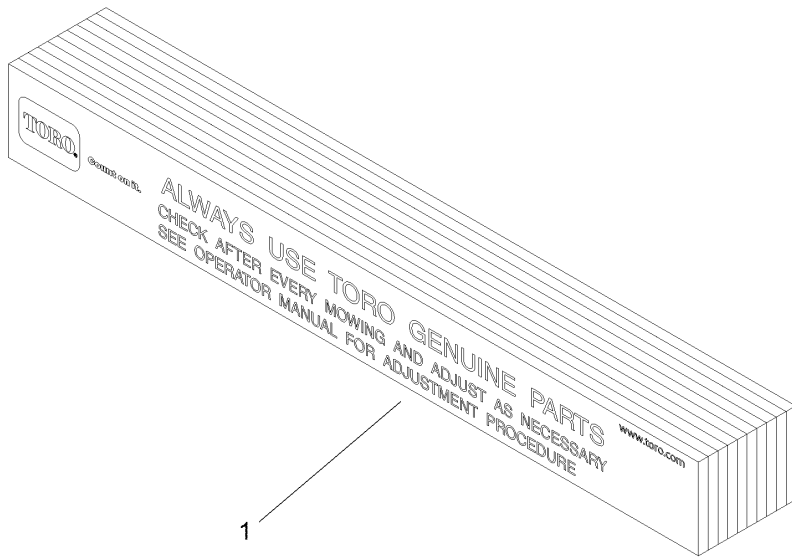
Upper Handle Assembly

Ref.	Part Number	Qty.	Description	Ref.	Part Number	Qty.	Description
1	140-9318	1	Cable ASM, Brake	21	140-9335	1	Spacer-Spring
2	137-0182	1	Cable-Throttle	22	140-3377	1	Lever-Lock, Brake
3	321-15	1	Screw-HH	23	138-1514	2	Bushing-Flange
4	104-7201	1	Nut-HF, NI	24	138-1573	1	Latch-Brake
7	147-2269	1	Cam-Handle, Pivot	25	1-808285	1	Pin-Clevis
8	138-1645	1	Handle ASM	28	32121-73	1	Pin-Roll
8:2	138-5532	1	Decal-Warning, General	29	140-9298	1	Lever-Brake
9	120-4654	2	Screw-HHF	30	138-5538	2	Bushing-Flange
10	119-4040	4	Nut-HF, NI	31	283-6	1	Pin-Clevis
11	138-3538	2	Bushing-Flange	32	138-1518	1	Spring-Brake, Torsion
12	138-1636	1	Arm-Throttle	33	132-6777	1	Screw-Twh Thd Roll
13	138-5527	1	Screw-HHF	34	120-9695	1	Nut-Jam
15	140-9317	1	Screw-HHF,Lock	35	138-1535	1	Handle-Assist, Lift
16	139-4303	1	Throttle Lever ASM	36	140-9334	1	Spring-Handle, Torsion
16:2	138-5534	1	Decal-Throttle	41	138-5530-03	1	Cover-Bottom, Controls
17	100-4852	1	Washer-Hardened	42	46-6810	3	Screw And Washer ASM
18	138-5514	1	Plate-Notepad, Handle	43	115-5142	2	Screw-HHF
19	127-6843	4	Screw-Plastite, Torx Pan	44	116-6639	1	Pin-Cotter, Locking
20	137-0317	1	Handle Adjuster ASM	45	140-9312	1	Pin-Cotter, Locking
20:2	137-0308	2	Bushing-Igus	46	139-1323	2	Washer-Spcl



Traction Bail Assembly

<i>Ref.</i>	<i>Part Number</i>	<i>Qty.</i>	<i>Description</i>	<i>Ref.</i>	<i>Part Number</i>	<i>Qty.</i>	<i>Description</i>
1	138-5524	1	Mount-Handle	13	120-9678	2	Screw-HHF
2	3234-47	2	Screw-HHF	14	138-3539	1	Bracket-Bail, RH
3	119-4041	2	Nut-HF	15	138-3540	1	Bracket-Bail, LH
4	139-4302	1	Clutch Bail ASM	16	138-5775	2	Screw-Delta Point
4:2	138-5533	1	Decal-Bail, Traction	18	122-1497	1	Switch-Rocker, On-None-Off
5	138-3466	4	Bushing-Flange	19	46-6811	2	Screw-Thd Roll Sems
6	138-3465	2	Spacer-Tube	20	138-5538	2	Bushing-Flange
7	321-18	2	Screw-HH	21	2412-91	2	Clamp
8	119-4040	4	Nut-HF, NI	22	119-1347	1	Meter-Hour
9	138-5515	1	Link-Bail, Clutch	25	119-7791	1	Plug-Hole
10	353-322	1	Pin-Clevis	28	122-1416	1	Harness-Wire
11	138-1587	1	Clip-Pin, Cotter	28:6	32180-091	1	Cap-Dust, 2 Way
12	138-3468	1	Spring-Compression				



Miscellaneous Parts Assembly

<i>Ref.</i>	<i>Part Number</i>	<i>Qty.</i>	<i>Description</i>
1	125-5610	1	Paper-Reel, Toro (10 Pack)
2	140-5531	1	Shim-Toro Reel (.002In)

Attachments and Accessories

For 04830 Greensmaster 1021 Mower

Product Name	Model/Part
Paspalum Wiehle Roller, Greensmaster Flex 1021 Traction Unit	04028
Wheel Kit	04123
Light Kit (2019+)	04135
Push Broom Kit, Walk Greensmower (2019+)	04136
CU Light Kit Mount.....	04138
Extended Wiehle Roller, 21in.....	04141
Wheel Loading Kit, Tp200	04219
Rail Loading Kit, Tp200	04229
Trans Pro 80 Tow-Behind Trailer.....	04238
TRANS PRO 200.....	04239
Flat Ramp	04245
Rail Ramp Kit (Update).....	04247
21in Soft Grooming Brush.....	04270
21in Stiff Grooming Brush.....	04271
Turf Evaluator	04399
Universal Groomer Drive	04707
Backlap Kit.....	04800
21in Twin Tip Groomer Reel	04802
21 Inch Interlaced Narrow Wiehle	04805
21in Full Roller.....	04815
21in Wide Wiehle Roller.....	04825
8-Blade 21in Fixed Cutting Unit	04832
11-Blade 21in Fixed Cutting Unit.....	04833
14-Blade 21in Fixed Cutting Unit	04834
Wide Wiehle Steel Roller Asm	107-3514
Bedknife-Tournament, Extended	108-4302
Bedknife-Microcut, Extended.....	108-4303
Bedknife-EDGEMAX, Microcut.....	115-1880
Bedknife-EDGEMAX, Tournament Cut	115-1881
Roller Extension Kit	115-7361
Front Brush for Wide Wiehle Roller (Qty 1)	115-7378
Front Brush for Full Roller (Qty 1)	115-7379
Front Comb for Wide Wiehle Roller (Qty 1)	115-7381
Front Comb for Full Roller (Qty 1)	115-7382
MVP Kit-Cutting Unit Re-Build	121-2637
Premium Engine Oil 10w30 (55 Gallon Drum)	121-6392
Premium Engine Oil 10w30 (5 Gallon Pail)	121-6393
Front Scraper for Wide Wiehle Roller (Qty 1)	125-3504
Front Scraper for Full Roller (Qty 1)	125-3505
Toro Reel Paper (10 Pack).....	125-5610
21in Soft Grooming Brush Kit.....	127-1547
21in Stiff Grooming Brush Kit.....	127-1548
Angle Indicator.....	131-6828
Angle Indicator Mount.....	131-6829
Bedbar	133-4525-01
Grease-Synthetic.....	136-8595

Attachments and Accessories (continued)

Bedknife-EDGEMAX	137-6092
Bedknife-Fairway	137-6097
Rail Ramp Kit TP100	138-5011
Retention Kit	139-2683
Bedknife-EDGEMAX, Microcut Short	139-4320
Bedknife-EDGEMAX, Tournament Short	139-4321
Access Backlap Kit	139-4342
Wireless Hour Meter Kit	139-4369
Front Brush for Interlaced Wiehle Roller (Qty 1)	139-4383
Front Scraper for Interlaced Wiehle Roller (Qty 1).....	139-4385
Retention Straps Kit.....	139-6477
Wiehle Roller ASM, 21 Inch	140-3363
Shim-TORO Reel (.002in)	140-5531
Blade-GR Groomer, Twin Tip (0.032in)	140-5580
Blade-GR Groomer, Helix (0.028in)	140-5581
Blade-GR Groomer, Helix (0.015"").....	140-5582
Bedknife-Microcut.....	93-4262
Bedknife-Tournament Cut.....	93-4263
Bedknife-Low Cut	93-4264
Bedknife-Highcut	94-6392
Height-of-Cut Bar.....	94-9010
Extended HOC Arm	99-4286

Notes:



Count on it.