



Count on it.

Parts Catalog

**Groundsmaster® 4500-D
Rotary Mower**

Model No. 30893—Serial No. 408000000 and Up



Ordering Replacement Parts

To order replacement parts, please supply the part number, the quantity, and the description of each part desired.

Understanding Reference Numbers

Each identified part in an illustration has a reference number. The reference number for a part also appears in the parts list, along with other information about the part.

This catalog uses two special reference number formats, one to indicate parts in a service assembly and another to indicate the quantity of a given part in an illustration.

Service Assembly Reference Numbers

Parts in service assemblies have reference numbers in the form a:b. The a represents the reference number of the entire service assembly and the b represents a sequential number unique to each part within the service assembly.

For example, a wheel assembly might be identified by reference number 6, the tire by 6:1, the valve by 6:2, and the wheel by 6:3. When you order the assembly identified by reference number 6, you receive all parts identified by reference numbers 6:1, 6:2, and 6:3. However, you may also order any part individually. Reference numbers of this type appear in illustration and in parts lists.

Reference Numbers Indicating Quantity

In an illustration, if a reference number indicates more than one part, the reference number has the form nX y. The n represents the quantity of the part, the X is the multiplication symbol, and the y represents the reference number.

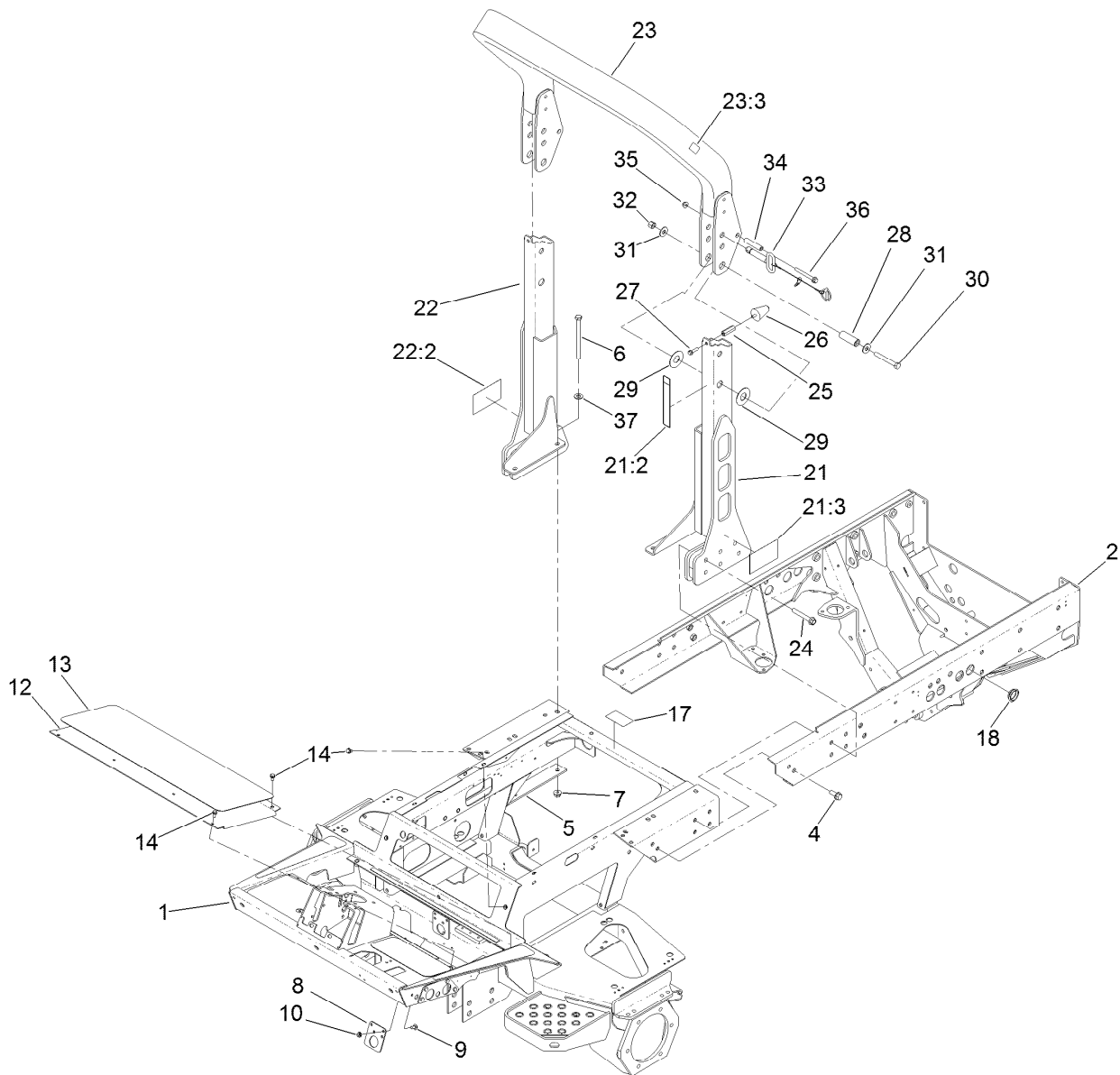
For example, in an illustration, the reference number 2X 37 means that two of the parts identified by reference number 37 are indicated.

Contents

Frame and Roll-Over Protection System Assembly	5
Front Frame Assembly No. 120-8086	6
Front Shroud Assembly	7
Engine Mount Assembly	8
Flywheel Assembly	9
Engine, Air Cleaner and Controller Assembly	10
Air Cleaner Assembly No. 99-5410	11
Radiator Assembly	12
Fan Mounting Assembly	14
Hydraulic Motor Assembly No. 137-5571	15
No. 1, No. 4 and No. 5 Lift Arm and Deck Assembly	16
Lift Cylinder Assembly No. 127-6429	18
Lift Cylinder Assembly No. 127-6427	19
No. 2 and 3 Lift Arm and Deck Assembly	20
Roller and Carrier Frame Assembly	22
Rear Roller Assembly No. 137-6141	23
Height-of-Cut Bracket Assembly	24
Chamber, Blade and Spindle Assembly	25
Spindle Assembly No. 121-3666	26
Lift Cylinder Assembly No. 127-6428	27
Hydraulic Tank Assembly	28
Fuel System Assembly	29
Battery Mount Assembly	30
Battery Storage Box Assembly No. 115-9100	31
Storage Box Assembly No. 115-9101	32
Seat Mounting Assembly	33
Air Ride Seat Suspension Assembly No. 130-2702	34
Vinyl Premium Seat Assembly No. 117-5676	35
Console Assembly	36
Console, Switch, Cover and Decal Assembly	37
Steering and Brake Assembly	38
Steering Tilt Column Assembly No. 106-3622	40
Steering Valve Assembly No. 114-8119	41
Pedal Assembly	42
Hood Assembly	43
Front Wheel Drive Assembly	45
Planetary Assembly No. 136-2913	46
LH Brake Assembly No. 100-3070	47
Piston Motor Assembly No. 136-2939	48
RH Brake Assembly No. 100-3069	49
Rear Axle Assembly	50
Bevel Pinion Shaft Assembly Rear Axle Assembly No. 110-4750	52
Differential Assembly Rear Axle Assembly No. 110-4750	53
Axle Support Assembly Rear Axle Assembly No. 110-4750	54
Bevel Gear Case Assembly Rear Axle Assembly No. 110-4750	55
Bevel Gear Shaft Assembly Rear Axle Assembly No. 110-4750	56
Axle Case Assembly Rear Axle Assembly No. 110-4750	57
Axle Assembly Rear Axle Assembly No. 110-4750	58
Hydraulic Steer Cylinder Assembly No. 127-6431	59
Rear Piston Motor No. 136-2938	60
Hydraulic System Assembly	61
Four Section Pump Assembly No. 114-4189	63
Hydraulic Pump Assembly No. 136-2940	64
Hydraulic Valve Mounting Assembly	66

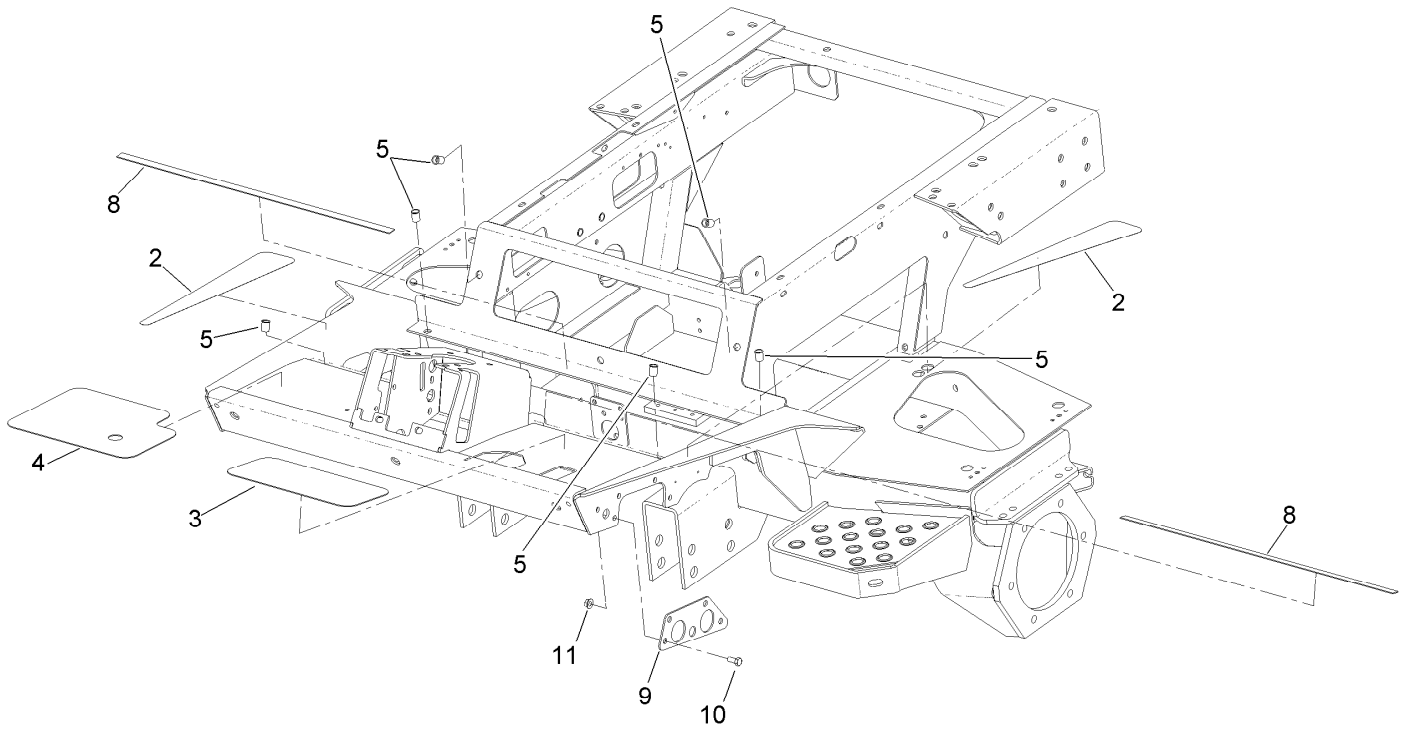
Contents (continued)

Mow Manifold Assembly No. 120-8064	68
Lift Manifold Assembly No. 117-2388	69
Junction Manifold Assembly No. 117-2394	70
Junction Manifold Assembly	71
Fan Drive Manifold Assembly No. 117-2395	72
Traction Manifold Assembly No. 136-3341	73
3-Way Valve Manifold Assembly No. 138-6946	74
Hydraulic Traction Circuit Assembly	75
Steering Hydraulic Assembly	77
Hydraulic Traction Circuit Assembly	78
Deck Lift Hydraulic Circuit Assembly	79
Hydraulic Mow Circuit Assembly	80
Deck No. 1, 4 and 5 Hydraulic Assembly	82
Gear Motor Assembly No. 117-5141	83
Deck No. 2 and 3 Hydraulic Assembly	84
Electrical Assembly	85
Engine Electrical Assembly	86
Controller Assembly	87
Cylinder Block Assembly	88
Gear Housing Assembly	89
Cylinder Head and Bonnet Assembly	90
Flywheel Housing and Oil Sump Assembly	92
Suction Manifold Assembly	93
Exhaust Manifold and Silencer Assembly	94
Camshaft and Driving Gear Assembly	95
Turbine Assembly	96
Crankshaft and Piston Assembly	97
Lubrication and Oil System Assembly	98
Lubrication Oil Line Assembly	99
Cooling Water System Assembly	100
Governor Assembly	101
Fuel Injection Pump Assembly	102
Fuel Injection Valve Assembly	104
Starting Motor Assembly	105
Generator Assembly	106
Electronic Control Unit Assembly	107
Gasket Set	108
Attachments and Accessories	109



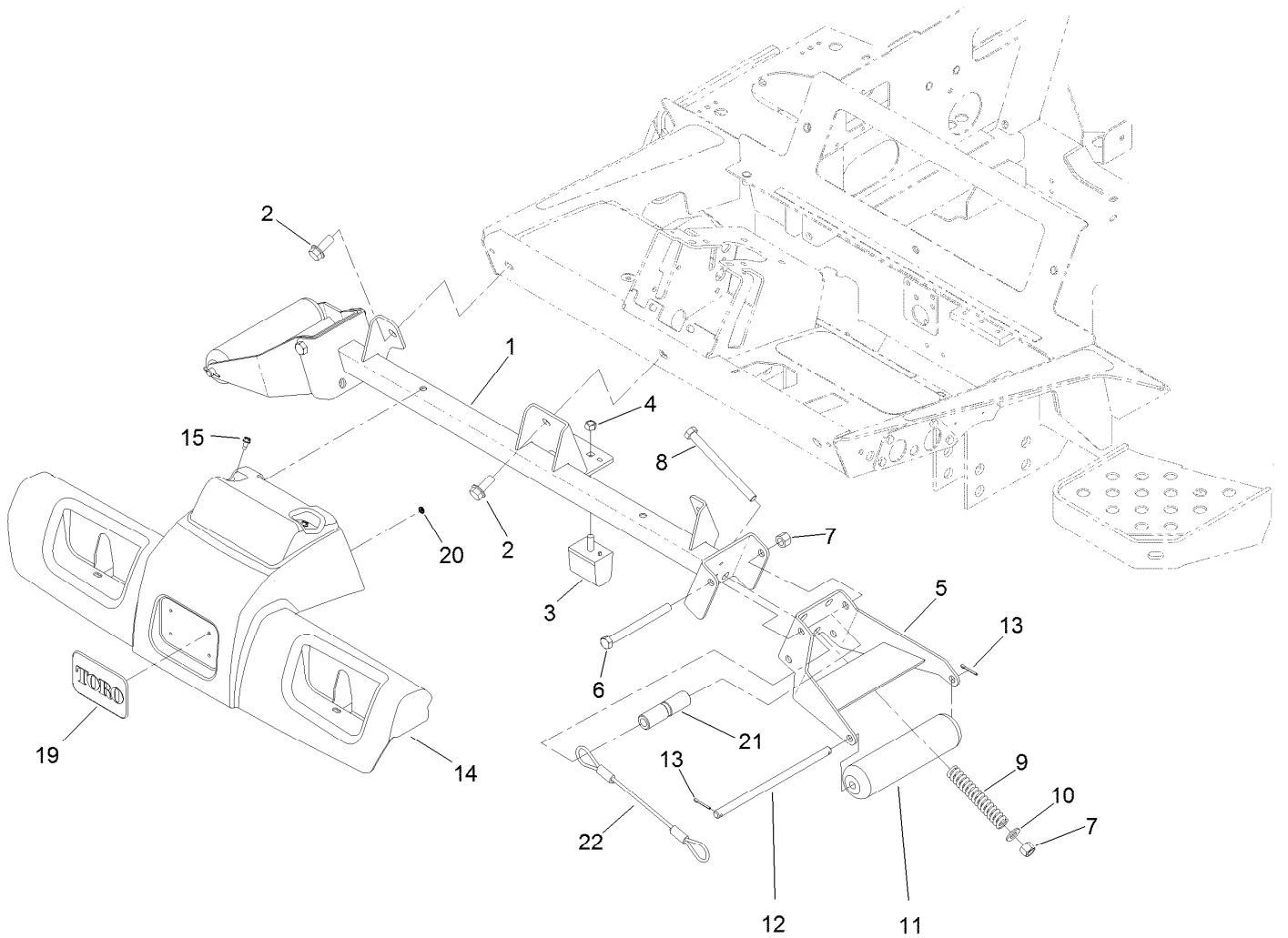
Frame and Roll-Over Protection System Assembly

Ref.	Part Number	Qty.	Description	Ref.	Part Number	Qty.	Description
1	120-8086	1	Front Frame ASM	22:2	94-8099	1	Decal
2	120-8007-03	1	Frame-Rear	23	136-2885	1	Top Tube ASM
4	3234-38	4	Screw-HHF	23:3	98-4387	1	Decal-Protection, Ear
5	104-5584-0P	2	Plate-Reinforcement,ROPS	24	114-8419	12	Screw-HHF
6	325-33	4	Screw-HH	25	136-2899	2	Standoff-Hex
7	32128-49	4	Nut-HHF	26	114-1925	2	Bumper-Rubber
8	104-5516-0P	1	Support-Tube	27	3234-36	2	Screw-HHF
9	3230-23	2	Bolt-CARR	28	136-2890	2	Spacer
10	32128-20	2	Nut-HF	29	136-2893	4	Washer-Plastic
12	75-1410-01	1	Plate-Access, Floor	30	325-17	2	Screw-HH
13	125-4614	1	Tread-Foot, Center	31	3256-6	4	Washer-Flat
14	3234-7	4	Screw-HHF	32	3296-23	2	Nut-Lock, NI
17	106-6754	1	Decal-Danger	33	136-2892	2	Pin ASM
18	105-9194	4	Plug	34	80-1890	2	Spacer
21	136-2900	1	LH ROPS ASM	35	104-8301	2	Nut-HF, NI
21:2	120-8947	1	Decal-Danger, ROPS	36	116-4701	2	Screw-HHF
21:3	94-8099	1	Decal	37	87-7270	4	Washer-Thrust
22	136-2901	1	RH ROPS ASM				



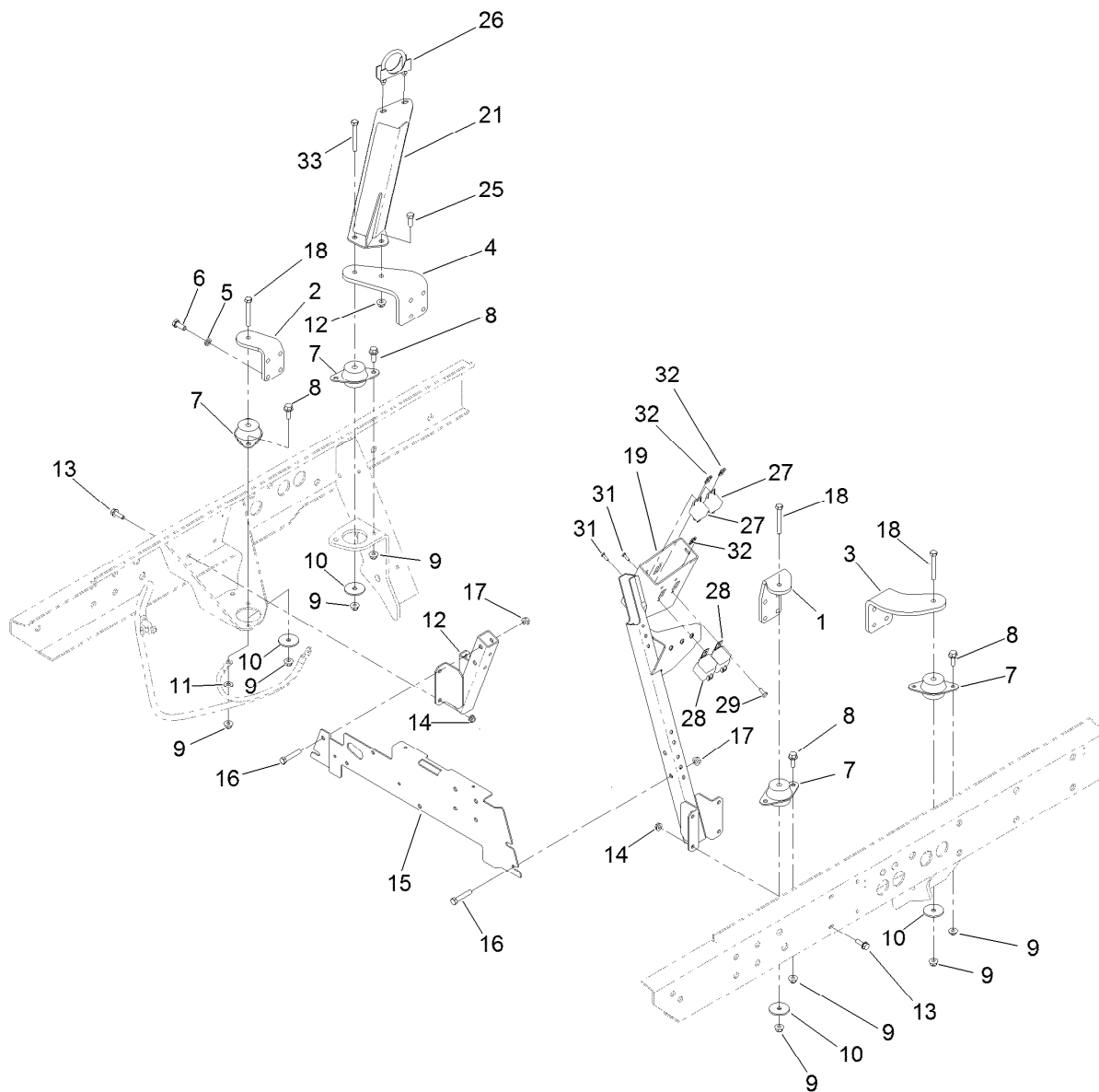
Front Frame Assembly No. 120-8086

<i>Ref.</i>	<i>Part Number</i>	<i>Qty.</i>	<i>Description</i>
2	93-7592	2	Tread-Rest, Foot
3	75-0620	1	Tread-Foot, LH
4	104-5223	1	Tread-Foot, RH
5	32148-7	10	Nut-Clinch
8	105-9860	2	Seal-Foam
9	106-7794-01	2	Plate-Mount, HYD Fitting
10	322-3	8	Screw-HH
11	32128-20	8	Nut-HF



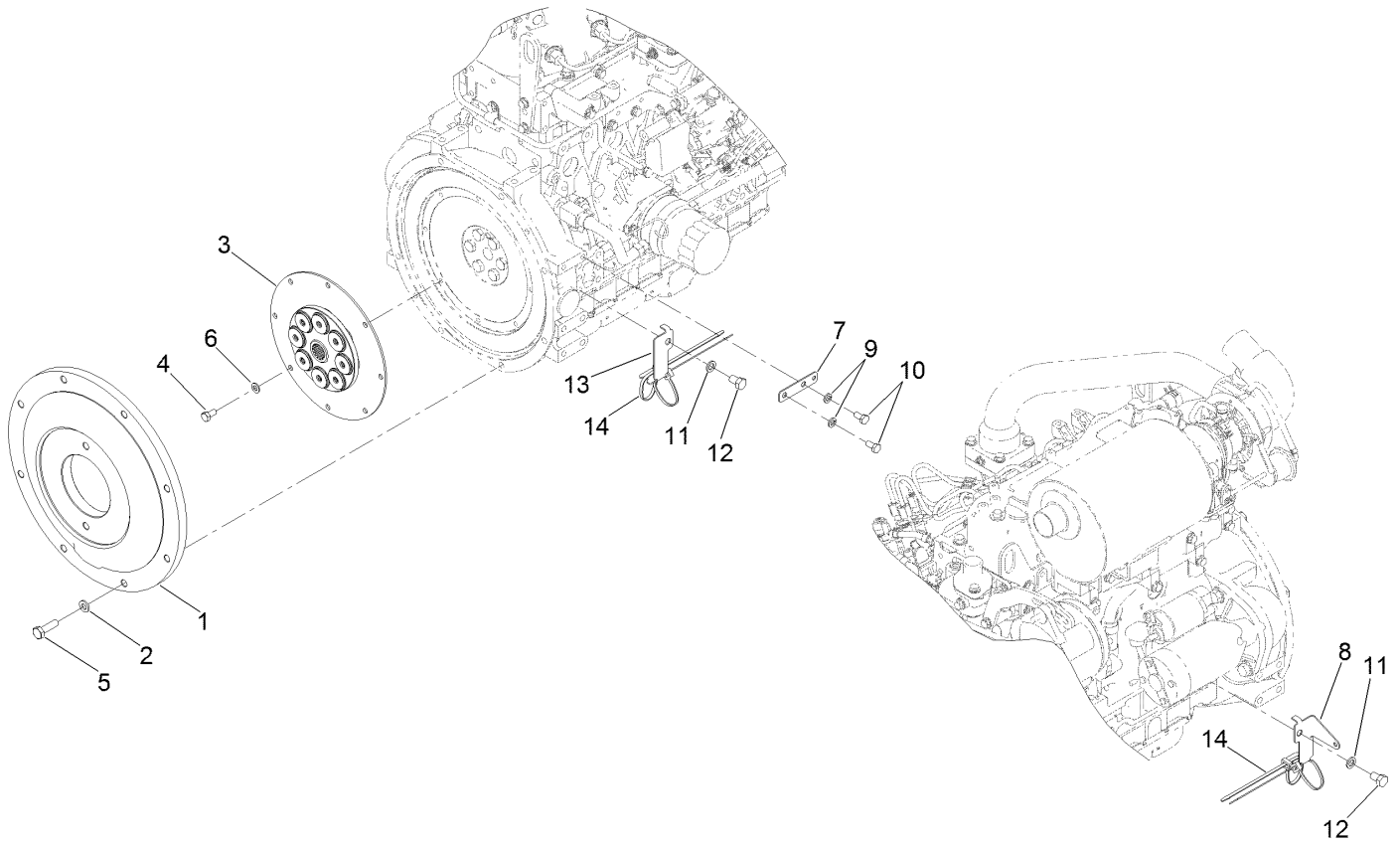
Front Shroud Assembly

<i>Ref.</i>	<i>Part Number</i>	<i>Qty.</i>	<i>Description</i>	<i>Ref.</i>	<i>Part Number</i>	<i>Qty.</i>	<i>Description</i>
1	117-4760-01	1	Support-Roller	11	105-9816	2	Roller-Plastic
2	3234-38	3	Screw-HHF	12	104-5545	2	Shaft-Roller
3	87-3470	1	Bumper	13	3272-11	4	Pin-Cotter
4	33025-00	1	Nut-Lock, NI	14	115-9137	1	Shroud-Platform
5	105-3996-01	2	Support-Roller	15	32104-17	2	Screw-HWH
6	325-22	2	Screw-HH	19	93-6028	1	Plate-Logo
7	3296-23	4	Nut-Lock, NI	20	138-6996	4	Nut-Push
8	325-20	2	Screw-HH	21	136-2923	2	Spacer-Centering
9	105-3970	2	Spring-Compression	22	136-7992	2	Lanyard
10	3256-26	2	Washer-Flat				



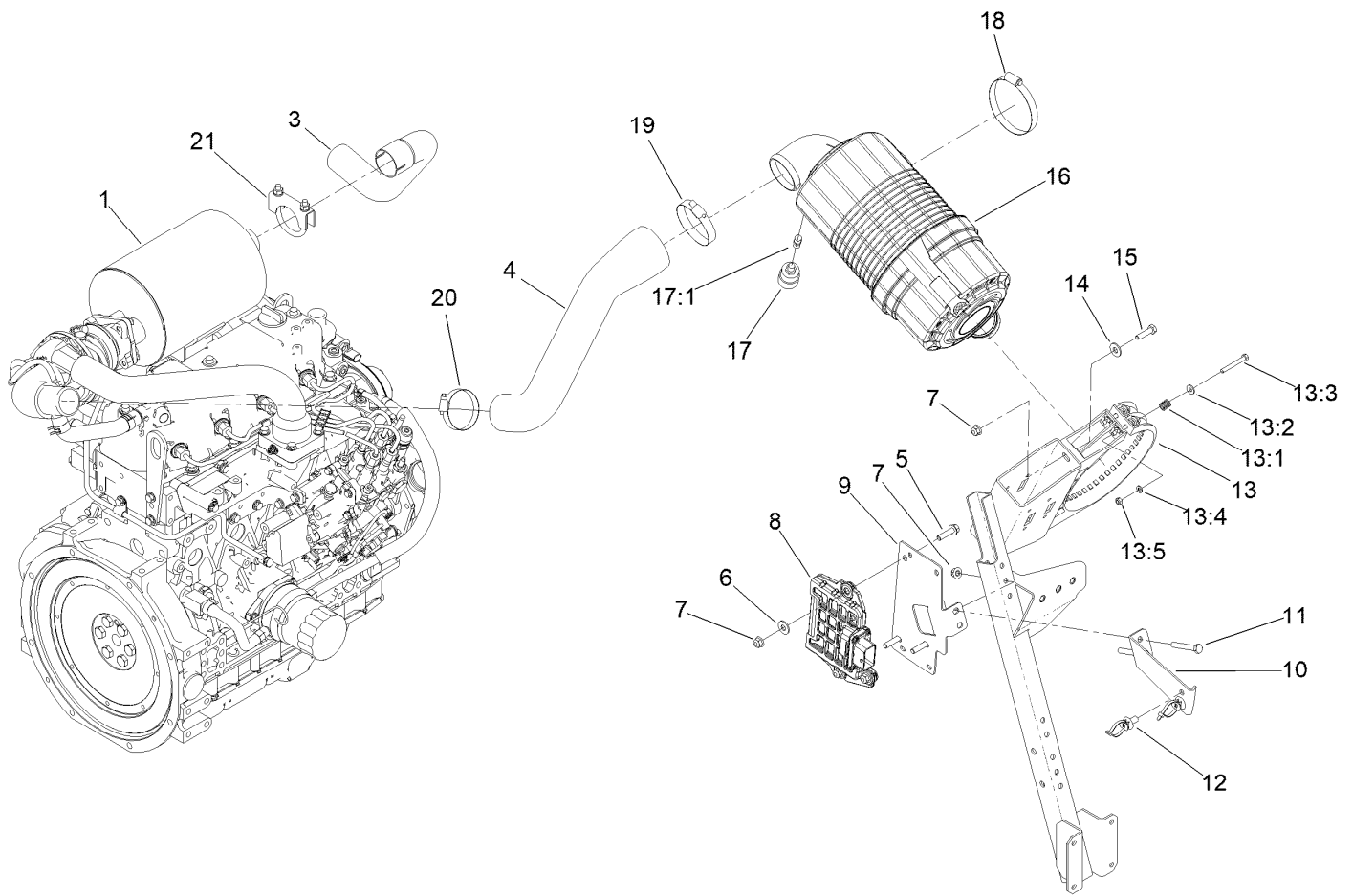
Engine Mount Assembly

<i>Ref.</i>	<i>Part Number</i>	<i>Qty.</i>	<i>Description</i>	<i>Ref.</i>	<i>Part Number</i>	<i>Qty.</i>	<i>Description</i>
1	120-8001-0P	1	Mount-Engine,LH,Front	15	114-8134-0P	1	Bracket-Manifold, Mow
2	120-8002-0P	1	Mount-Engine, RH Front	16	323-10	4	Screw-HH
3	120-8003-0P	1	Mount-Engine, LH Rear	17	32128-21	4	Nut-HF Lock
4	120-8004-0P	1	Mount-Engine, RH Rear	18	323-13	3	Screw-HH
5	48-9590	16	Washer-Lock	19	136-3615-0P	1	A/C Mount ASM [primed]
6	33115-025	16	Screw-HH	21	121-3098-0P	1	Tailpipe Support ASM [primed]
7	53-9682	4	Mount-Engine	25	323-6	1	Screw-HH
8	3234-11	8	Screw-HHF	26	18-2130	1	Clamp
9	104-8301	13	Nut-HF, NI	27	99-7435	2	Relay
10	63-7400	4	Washer-Rebound	28	99-7430	2	Relay-Mini
11	3256-24	1	Washer-Plain	29	321-3	2	Screw-HH
12	104-5420-0P	1	Battery Support ASM [primed]	31	3290-134	2	Screw
13	3234-29	8	Screw-HHF	32	3290-277	4	Nut-Speed
14	32128-20	8	Nut-HF	33	323-14	1	Screw-HH



Flywheel Assembly

<i>Ref.</i>	<i>Part Number</i>	<i>Qty.</i>	<i>Description</i>
1	132-6120-0P	1	Plate-Flywheel
2	107-1413	8	Washer-Hardened
3	132-6121	1	Coupling-Flywheel
4	99-5132	8	Bolt
5	117-5663	8	Screw-HH
6	87-7510	8	Washer-Flat
7	121-5636	1	Tab-Harness
8	127-2774	1	Bracket-Harness, RH
9	3253-4	2	Washer-Lock
10	33114-016	2	Screw-HH
11	48-9590	2	Washer-Lock
12	33115-016	2	Screw-HH
13	127-2773	1	Bracket-Harness, LH
14	3290-378	4	Tie-Cable



Engine, Air Cleaner and Controller Assembly

Ref.	Part Number	Qty.	Description
1	138-6918	1	Engine-Yanmar
3	120-8010	1	Tube-Exhaust
4	121-3141	1	Hose-Air Cleaner, Outlet
5	3234-36	3	Screw-HHF
6	3256-3	3	Washer-Flat
7	104-8300	7	Nut-HF, NI
8	135-4281	1	Ecu
9	121-3102-0P	1	Bracket-Controller [primed]
10	136-3328-0P	1	Plate-Bent
11	322-11	2	Screw-HH
12	32180-031	2	Clip-Tree (W/Tie)
13	99-5414	1	Strap-Cleaner, Air
13:1	108-1512	2	Spring

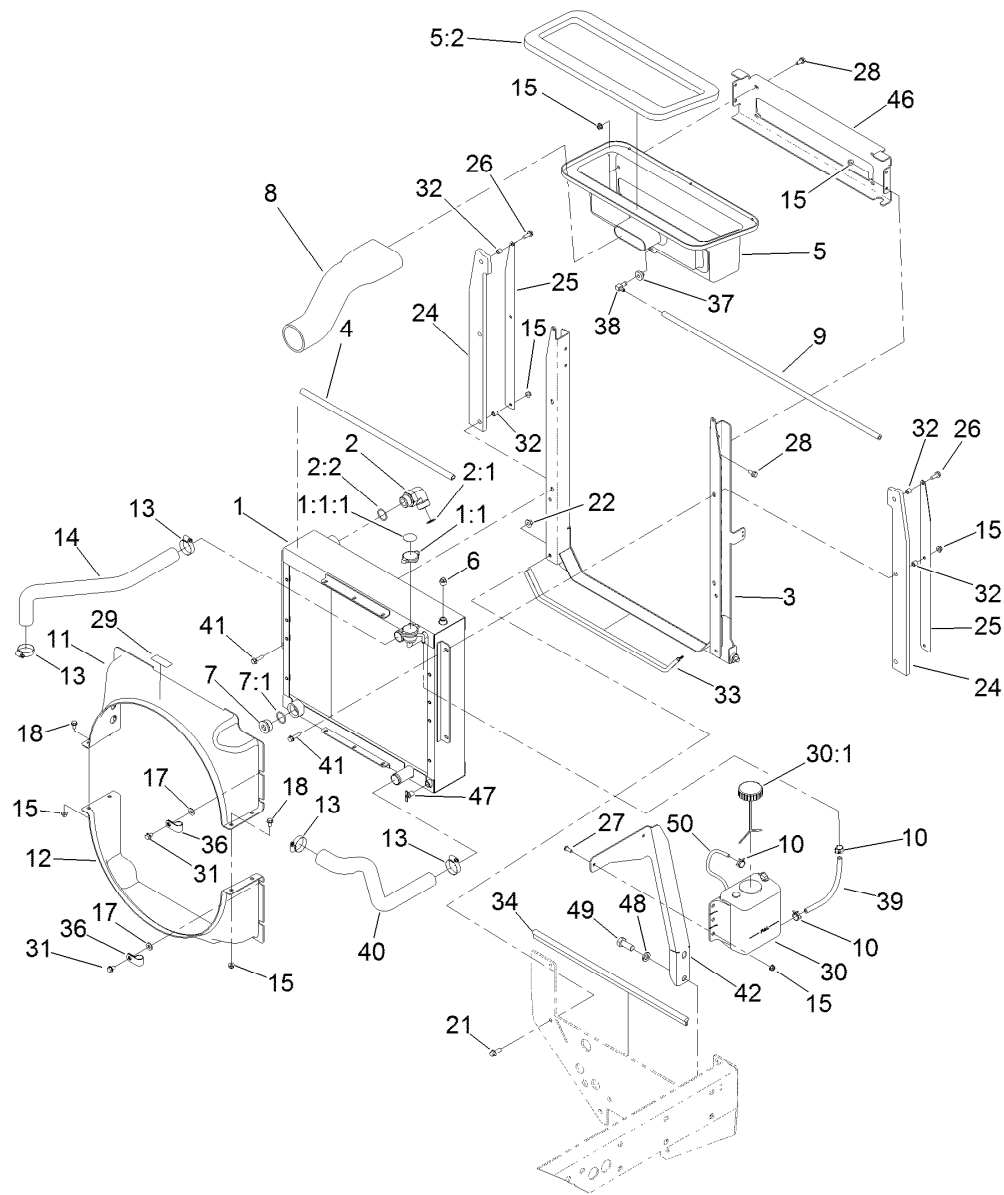
Ref.	Part Number	Qty.	Description
13:2	3256-22	2	Washer-Flat
13:3	33113-050	2	Screw-HH
13:4	33093-00	2	Washer-Flat
13:5	33023-00	2	Nut-Lock
14	3256-3	2	Washer-Flat
15	322-6	2	Screw-HH
16	99-5410	1	Air Cleaner ASM
17	104-3563	1	Indicator
17:1	94-1416	1	Adapter-Indicator
18	2412-110	1	Clamp-Band/Screw
19	2412-125	1	Clamp-Hose
20	2412-130	1	Clamp-Hose
21	18-2130	1	Clamp



Air Cleaner Assembly No. 99-5410

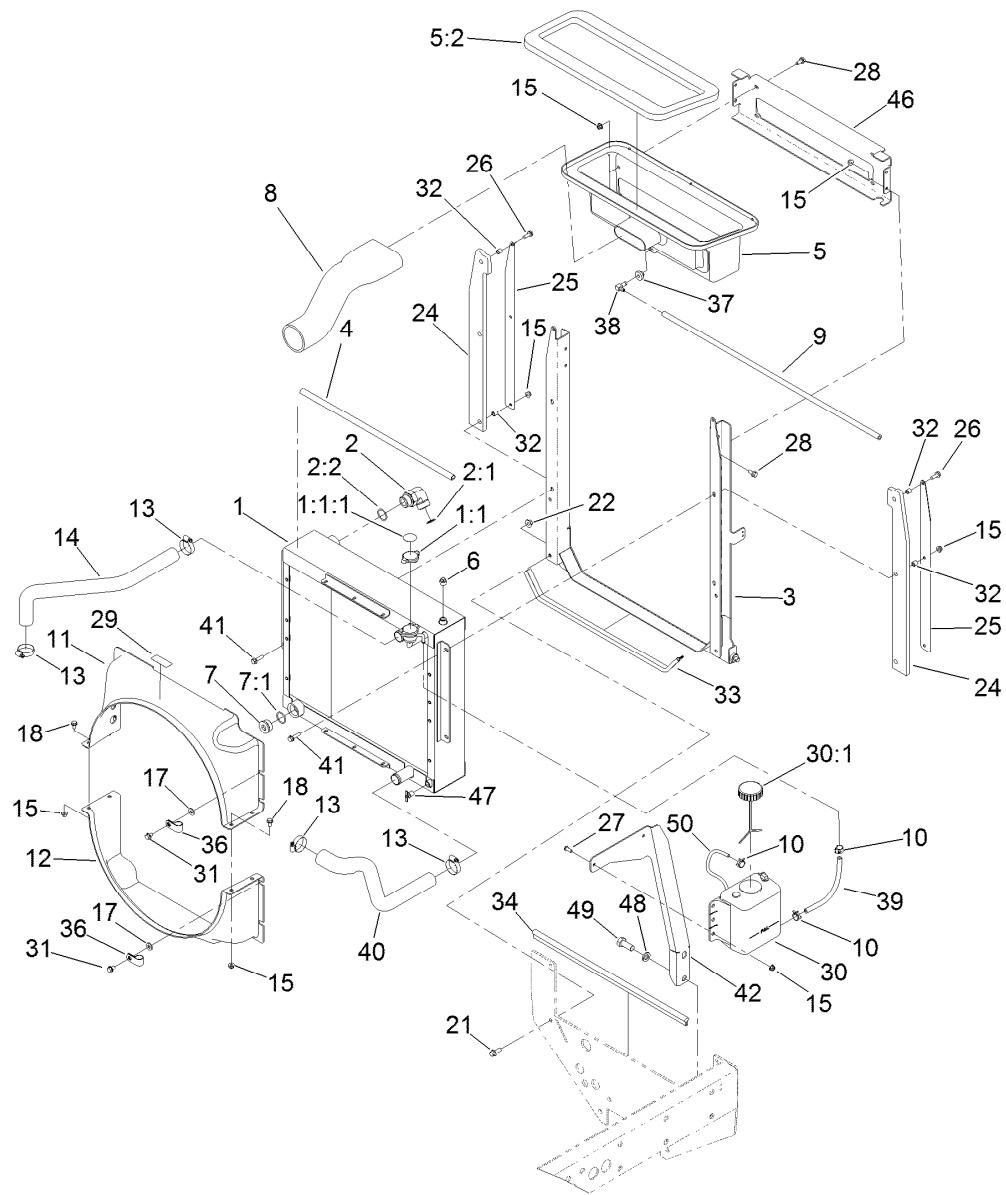
<i>Ref.</i>	<i>Part Number</i>	<i>Qty.</i>	<i>Description</i>
1	104-4258	1	Valve-Vacuator
3	104-4259	1	Cover
5		1	Body ASM ●
6	108-3814	1	Filter-Air
7	108-3816	1	Filter-Air

● Not serviced separately



Radiator Assembly

Ref.	Part Number	Qty.	Description	Ref.	Part Number	Qty.	Description
1	132-6161	1	Radiator/Oil Cooler	17	3256-3	8	Washer-Flat
1:1	115-7766	1	Cap-Radiator	18	3234-7	4	Screw-HHF
1:1:1	106-6755	1	Decal-Cap, Radiator	21	3234-11	4	Screw-HHF
2	340-129	2	Fitting-Elbow, 90 DEG	22	32128-43	4	Nut-Flange
2:1	237-146	1	O-Ring	24	121-3087	2	Seal-Foam, Hood
2:2	340-65	1	O-Ring	25	121-3086-0P	2	Bracket-Seal Hood
3	121-3084-03	1	Mount-Radiator	26	32144-41	2	Screw-Taptite
4	114-3828	1	Seal-Bulb	27	3274-55	2	Screw-HSBH
5	115-4363	1	Plenum ASM	28	3234-47	8	Screw-HHF
5:2	115-4393	1	Seal-Plenum	29	117-4766	1	Decal-Warning, Fan
6	281-13	1	Plug-Pipe	30	144-6219	1	Reservoir-Coolant ASM
7	105-3921	1	Fitting-Plug	30:1	87-7050	1	Cap-Reservoir
7:1	237-146	1	O-Ring	31	3234-30	8	Screw-HHF
8	121-3143	1	Hose-Air Cleaner, Inlet	32	1-603903	6	Spacer
9	110-3258	1	Hose-Fuel	33	117-4782	1	Seal-Bulb
10	92-2379	4	Clamp-Hose	34	105-9858	1	Seal-Bulb
11	125-4615	1	Shroud-Radiator, Upper	36	2412-81	2	Clamp-R
12	121-3106	1	Shroud-Radiator, Lower	37	46-6560	1	Bushing
13	2412-3	4	Clamp-Hose	38	46-6550	1	Fitting-Elbow, 90 DEG
14	121-1476	1	Hose-Radiator, Upper	39	109-0282	1	Hose-Fuel
15	104-8300	18	Nut-HF, NI	40	121-1477	1	Hose-Radiator, Lower



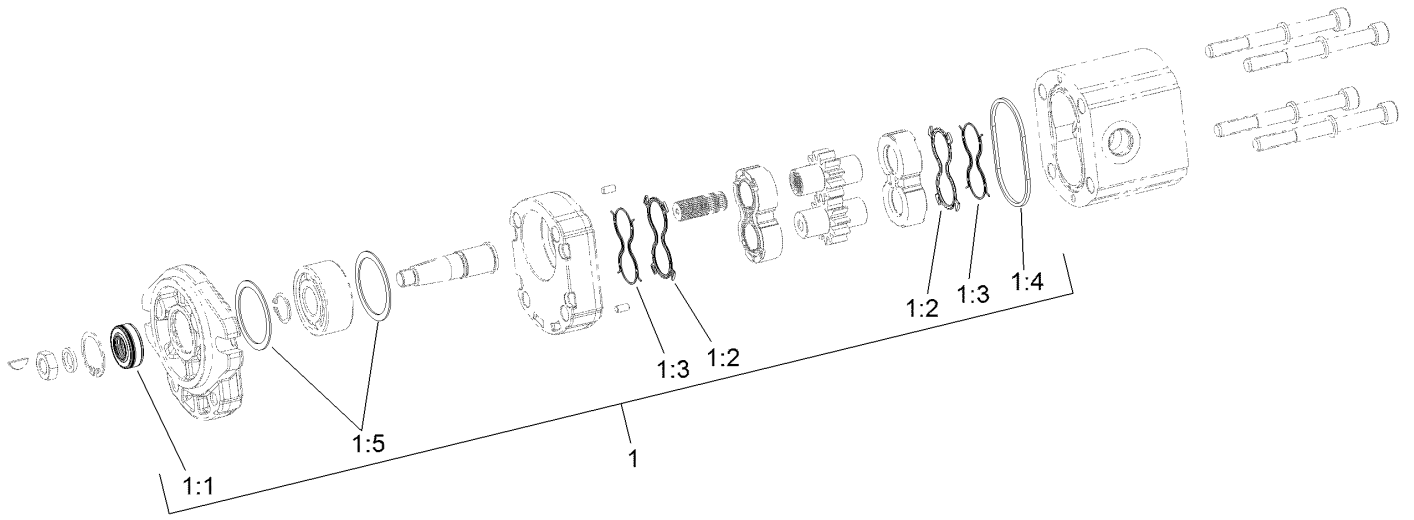
Radiator Assembly (continued)

<i>Ref.</i>	<i>Part Number</i>	<i>Qty.</i>	<i>Description</i>	<i>Ref.</i>	<i>Part Number</i>	<i>Qty.</i>	<i>Description</i>
41	3234-36	4	Screw-HHF	48	3253-8	2	Washer-Lock
42	136-3693-0P	1	Bracket-Mount, Tank	49	327-4	2	Screw-HH
46	121-3085-0P	1	Plate-Crossover	50	109-0273	1	Hose-Fuel
47	304-46	1	Draincock				



Fan Mounting Assembly

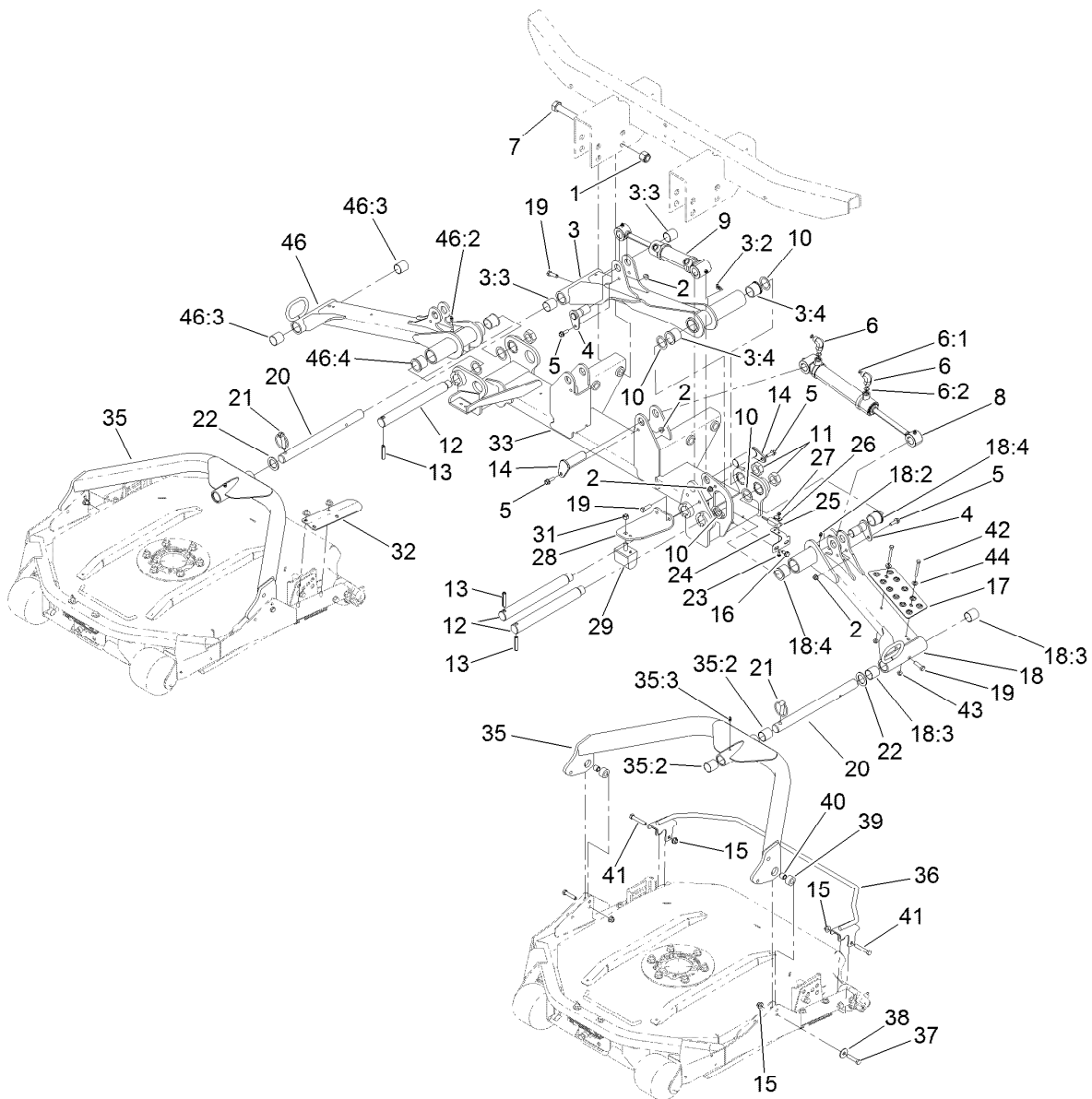
Ref.	Part Number	Qty.	Description	Ref.	Part Number	Qty.	Description
1	115-8486	4	Screw-HH	10:2	237-79	1	O-Ring
2	114-3825	1	Fan	11	80-6990	4	Washer-Hardened
3	117-2364	1	Hub-Fan	12	104-7201	6	Nut-HF, NI
4	340-2	1	Fitting-Straight	13	99-6810	6	Screw-HHF
4:1	237-22	1	O-Ring	14	125-4610	2	Shim-Support
4:2	237-42	1	O-Ring	16	138-6945	1	Tube ASM
5	137-5571	1	Hydraulic Motor ASM	16:1	237-22	1	O-Ring
6	137-5594	1	Mount-Fan	17	138-6943	1	Tube ASM
7	324-5	2	Screw-HH	17:1	237-30	1	O-Ring
8	3256-25	2	Washer-Flat	18	138-6944	1	Tube ASM
9	3296-48	2	Nut-Hex	18:1	237-30	1	O-Ring
10	340-4	2	Fitting-Straight	19	340-70	1	Nut-Lock
10:1	237-30	1	O-Ring	20	340-127	2	Nut-Bulkhead



Hydraulic Motor Assembly No. 137-5571

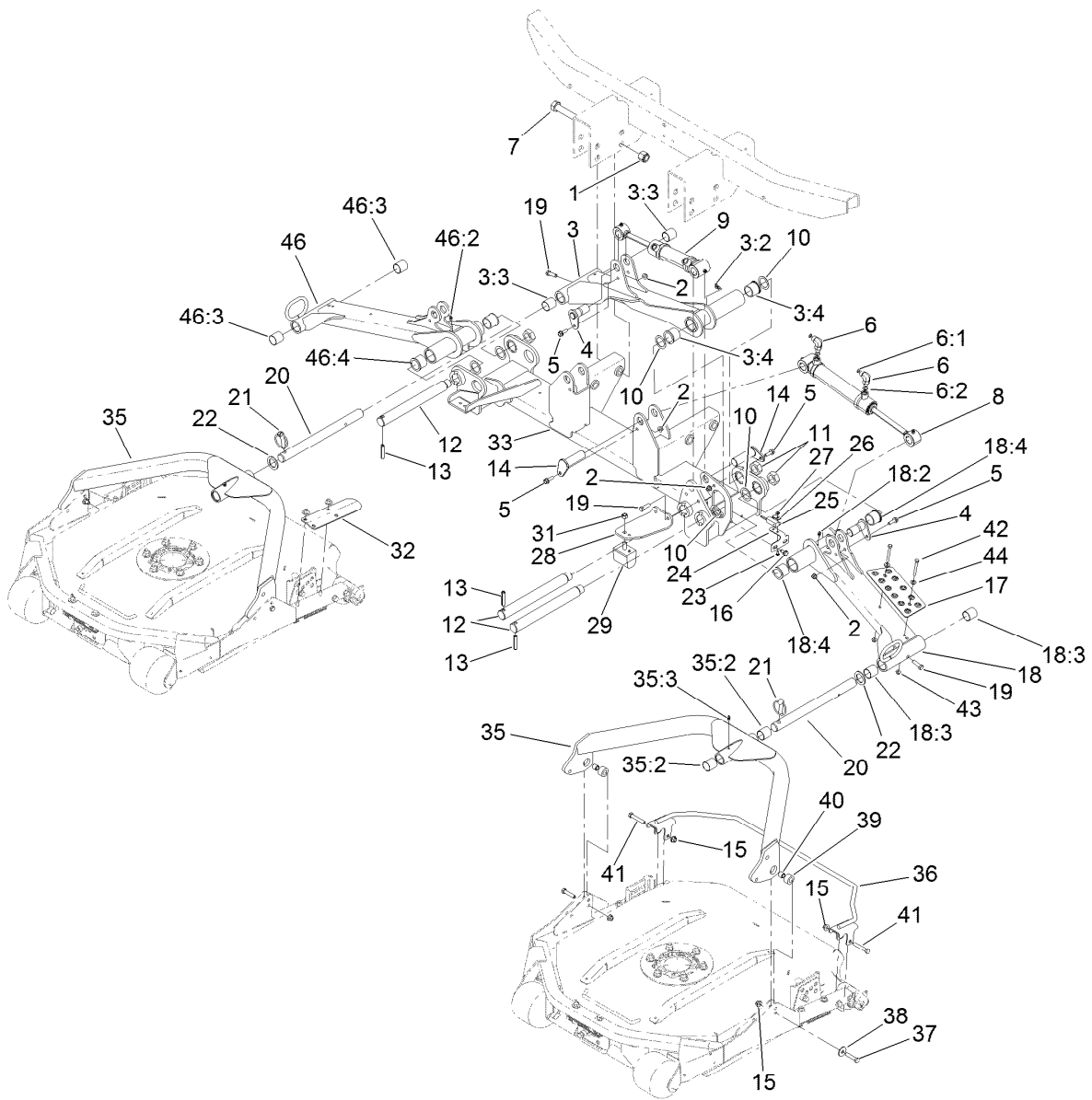
<i>Ref.</i>	<i>Part Number</i>	<i>Qty.</i>	<i>Description</i>
1	139-1019	1	Seal Kit
1:1		1	Seal-Shaft ●
1:2		2	Seal-Plate, Balancing ●
1:3		2	Seal-Anti Extrusion ●
1:4		1	O-Ring (Housing) ●
1:5		2	Seal-Square ●

● Not serviced separately



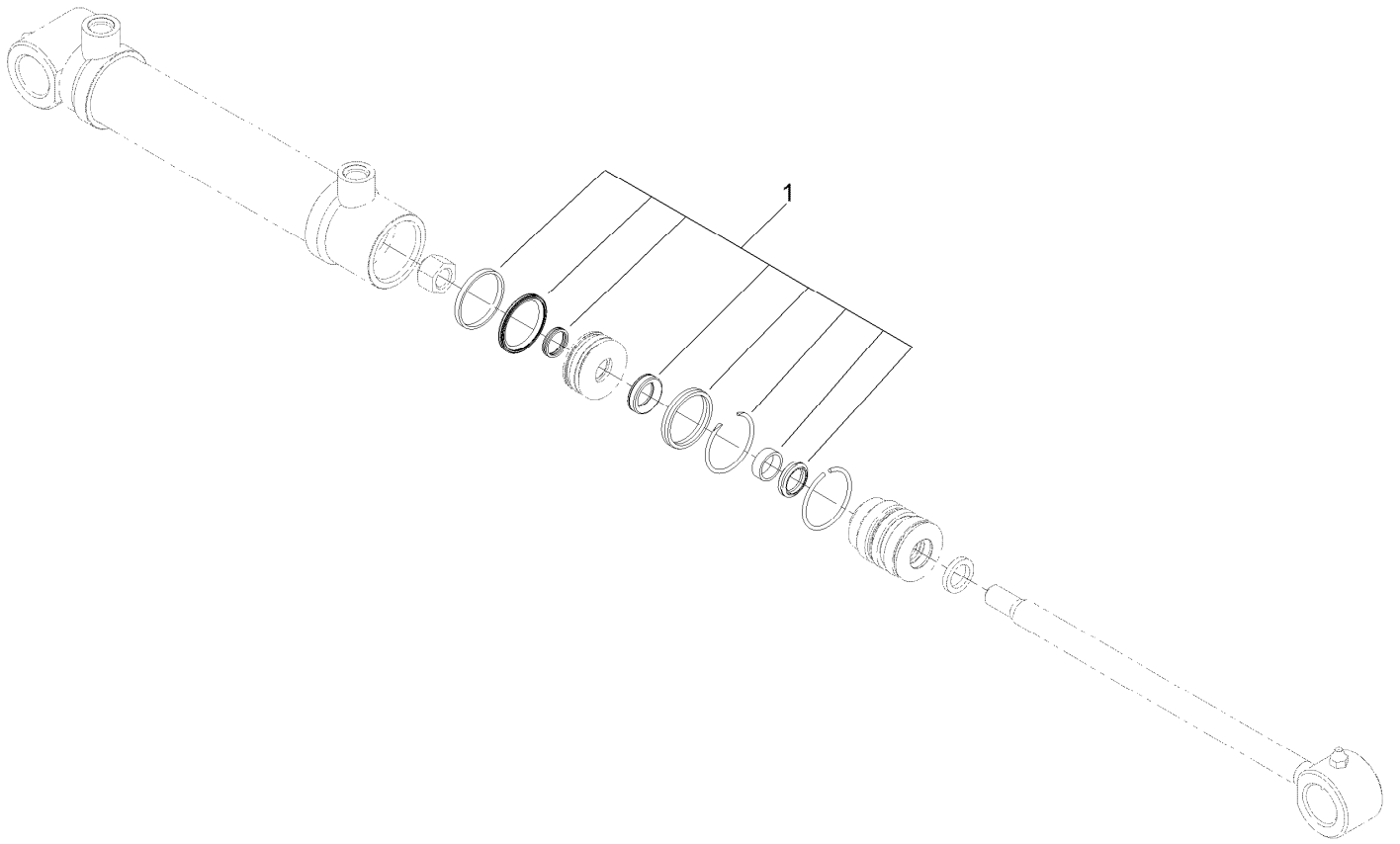
No. 1, No. 4 and No. 5 Lift Arm and Deck Assembly

Ref.	Part Number	Qty.	Description	Ref.	Part Number	Qty.	Description
1	3296-51	4	Nut-Lock, NI	17	105-3987-03	1	Plate-Skid
2	104-8300	6	Nut-HF, NI	18	136-3377	1	No.4 Liftarm ASM
3	136-3375	1	No.1 Liftarm ASM	18:2	302-5	1	Fitting-Grease
3:2	302-60	1	Fitting-Grease	18:3	108-4000	2	Bushing
3:3	108-4000	2	Bushing	18:4	104-0015	2	Bushing-Flange
3:4	104-0015	2	Bushing-Flange	19	323-7	5	Screw-HH
4	131-4201	3	Pin-Pivot	20	136-2922	3	Shaft-Carrier, Pivot
5	3234-17	6	Screw-HHF	21	3290-384	3	Pin-Lynch
6	340-77	6	Fitting-Elbow, 90 DEG	22	3-6781	3	Washer-Flat
6:1	237-22	1	O-Ring	23	104-1450	2	Bolt-CARR
6:2	237-42	1	O-Ring	24	104-5585	2	Bracket-Switch
7	328-7	4	Screw-HH	25	106-9288	2	Sensor-Proximity, Ferrous
8	127-6429	2	Lift Cylinder ASM	26	100-4872	2	Plate-Switch, Neutral
9	127-6427	1	Lift Cylinder ASM	27	32149-7	2	Nut-Keps
10	76-2980	6	Washer-Thrust	28	104-5689-03	1	Bracket-Support, Bumper
11	3296-49	3	Nut-Lock, NI	29	87-3470	2	Bumper
12	95-7158	3	Pin-Pivot	31	33025-00	2	Nut-Lock, NI
13	32121-110	3	Pin-Roll, Slotted	32	105-9831-03	2	Bracket-Bumper, No. 1
14	125-1906	3	Pin-Cylinder	33	104-5680-03	1	Frame-Carrier, Front
15	104-8301	12	Nut-HF, NI	35	115-3453	3	Carrier Frame ASM
16	32104-32	4	Screw-HWH	35:2	108-4000	2	Bushing



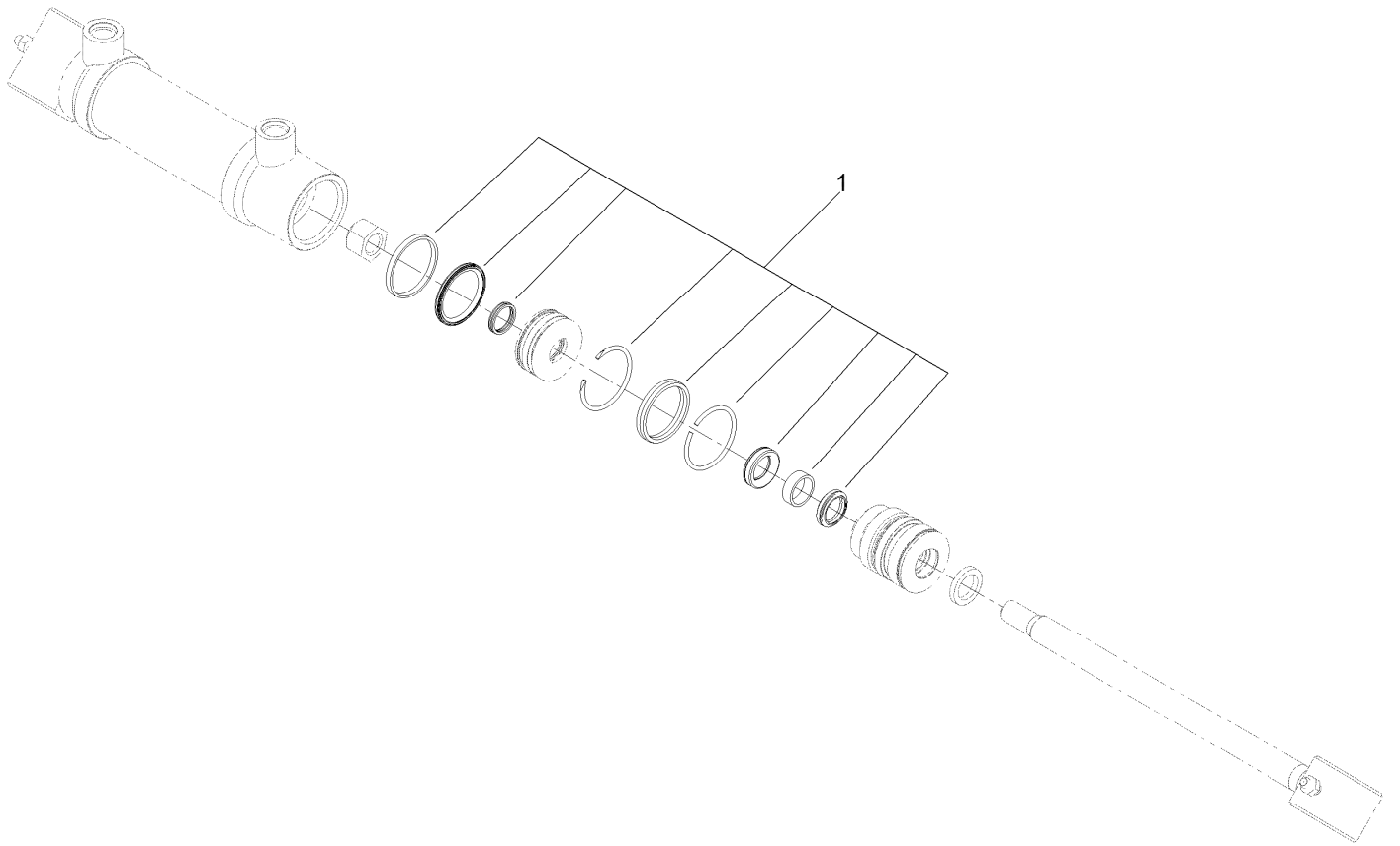
No. 1, No. 4 and No. 5 Lift Arm and Deck Assembly (continued)

<i>Ref.</i>	<i>Part Number</i>	<i>Qty.</i>	<i>Description</i>	<i>Ref.</i>	<i>Part Number</i>	<i>Qty.</i>	<i>Description</i>
35:3	302-5	1	Fitting-Grease	42	321-15	2	Screw-HH
36	112-9900-03	2	Guard-Foot	43	32128-33	2	Nut-HF
37	323-52	6	Screw-HH	44	3256-23	2	Washer-Plain
38	93-8806	6	Washer-Hardened	46	136-3379	1	No.5 Liftarm ASM
39	105-9823	6	Bushing-Carrier	46:2	302-5	1	Fitting-Grease
40	105-9822	6	Spacer	46:3	108-4000	2	Bushing
41	323-11	4	Screw-HH	46:4	104-0015	2	Bushing-Flange



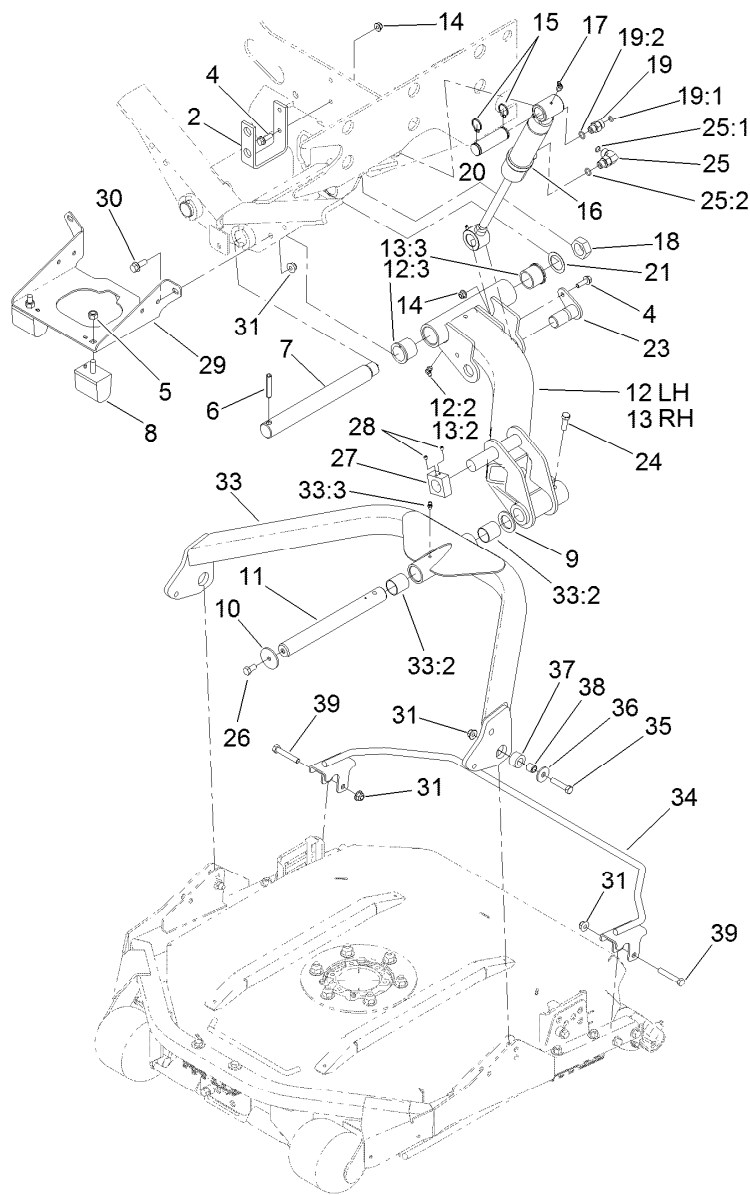
Lift Cylinder Assembly No. 127-6429

<i>Ref.</i>	<i>Part Number</i>	<i>Qty.</i>	<i>Description</i>
1	131-7755	1	Cylinder Seal Kit



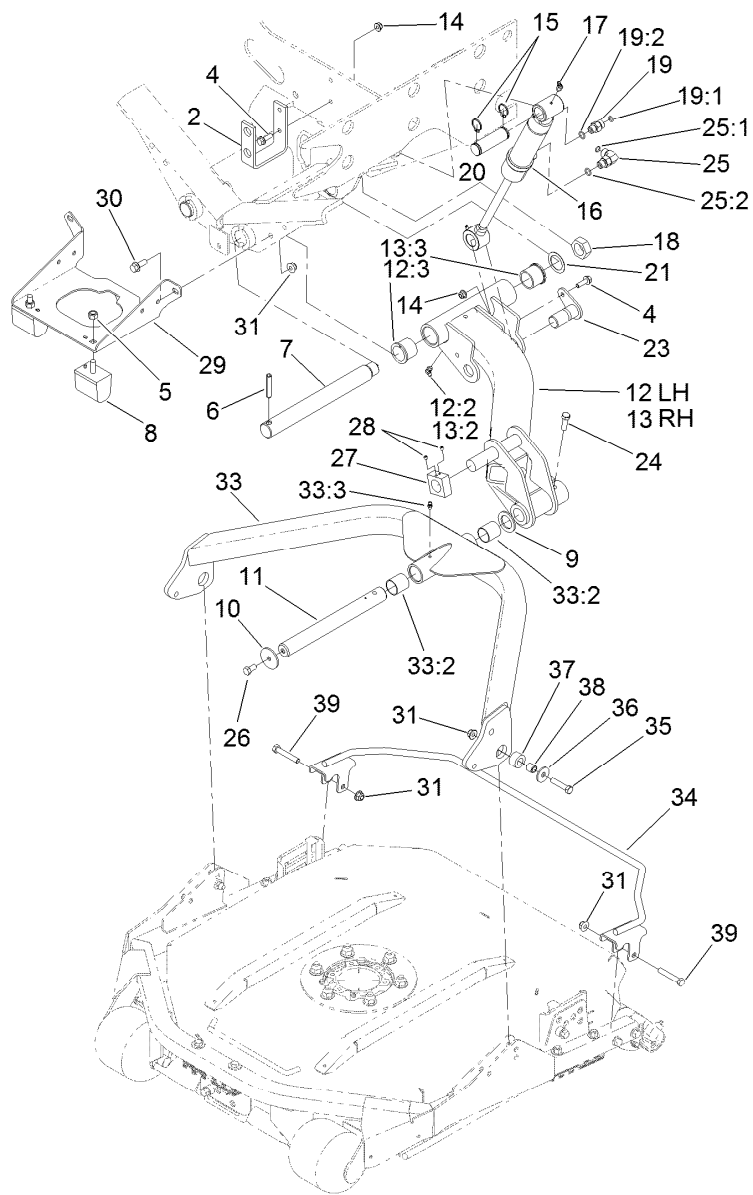
Lift Cylinder Assembly No. 127-6427

<i>Ref.</i>	<i>Part Number</i>	<i>Qty.</i>	<i>Description</i>
1	131-7755	1	Cylinder Seal Kit



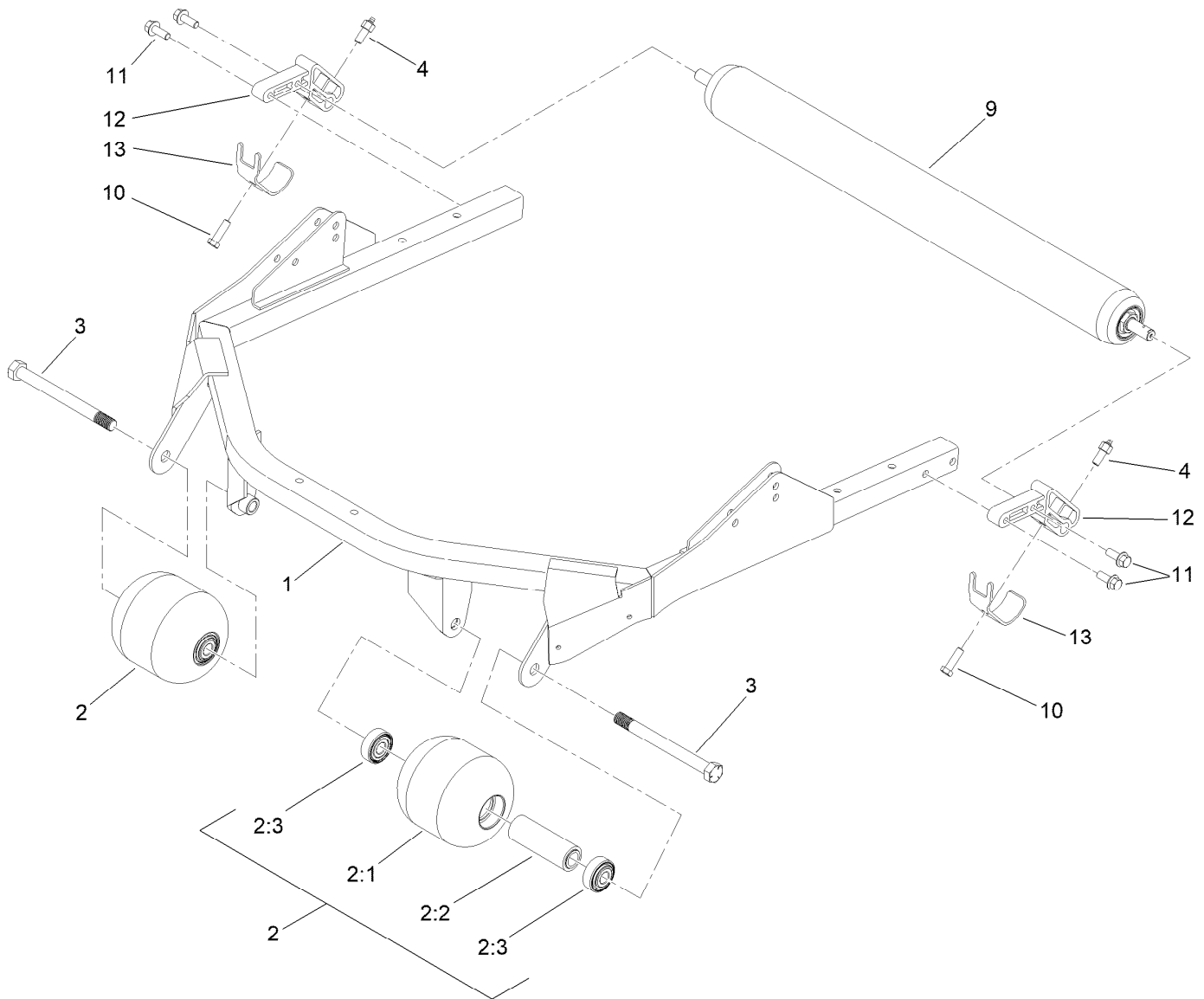
No. 2 and 3 Lift Arm and Deck Assembly

Ref.	Part Number	Qty.	Description	Ref.	Part Number	Qty.	Description
2	105-3992-0P	1	Bracket-Bulkhead	19:1	237-22	1	O-Ring
4	3234-17	4	Screw-HHF	19:2	237-42	1	O-Ring
5	33025-00	2	Nut-Lock, NI	20	92-7548	2	Pin-Cylinder
6	32121-110	2	Pin-Roll, Slotted	21	76-2980	2	Washer-Thrust
7	95-7158	2	Pin-Pivot	23	131-4201	2	Pin-Pivot
8	87-3470	2	Bumper	24	323-7	2	Screw-HH
9	3-6781	2	Washer-Flat	25	340-77	2	Fitting-Elbow, 90 DEG
10	63-7400	2	Washer-Rebound	25:1	237-22	1	O-Ring
11	105-9827	2	Shaft	25:2	237-42	1	O-Ring
12	136-3385	1	No.2 Liftarm ASM	26	323-4	2	Screw-HH
12:2	302-11	1	Fitting-Lube, 45 DEG	27	105-9839	2	Stop-Rotation, No. 2 And 3
12:3	104-0015	2	Bushing-Flange	28	3245-1	4	Screw-Set, HSH
13	136-3387	1	No. 3 Liftarm ASM	29	131-7765-0P	1	Support-Bumper, Rear
13:2	302-11	1	Fitting-Lube, 45 DEG	30	3234-11	3	Screw-HHF
13:3	104-0015	2	Bushing-Flange	31	104-8301	11	Nut-HF, NI
14	104-8300	4	Nut-HF, NI	33	115-3453	2	Carrier Frame ASM
15	32151-36	4	Ring-Retaining	33:2	108-4000	2	Bushing
16	127-6428	2	Lift Cylinder ASM	33:3	302-5	1	Fitting-Grease
17	302-11	2	Fitting-Lube, 45 DEG	34	112-9900-03	2	Guard-Foot
18	3296-49	2	Nut-Lock, NI	35	323-52	4	Screw-HH
19	340-2	2	Fitting-Straight	36	93-8806	4	Washer-Hardened



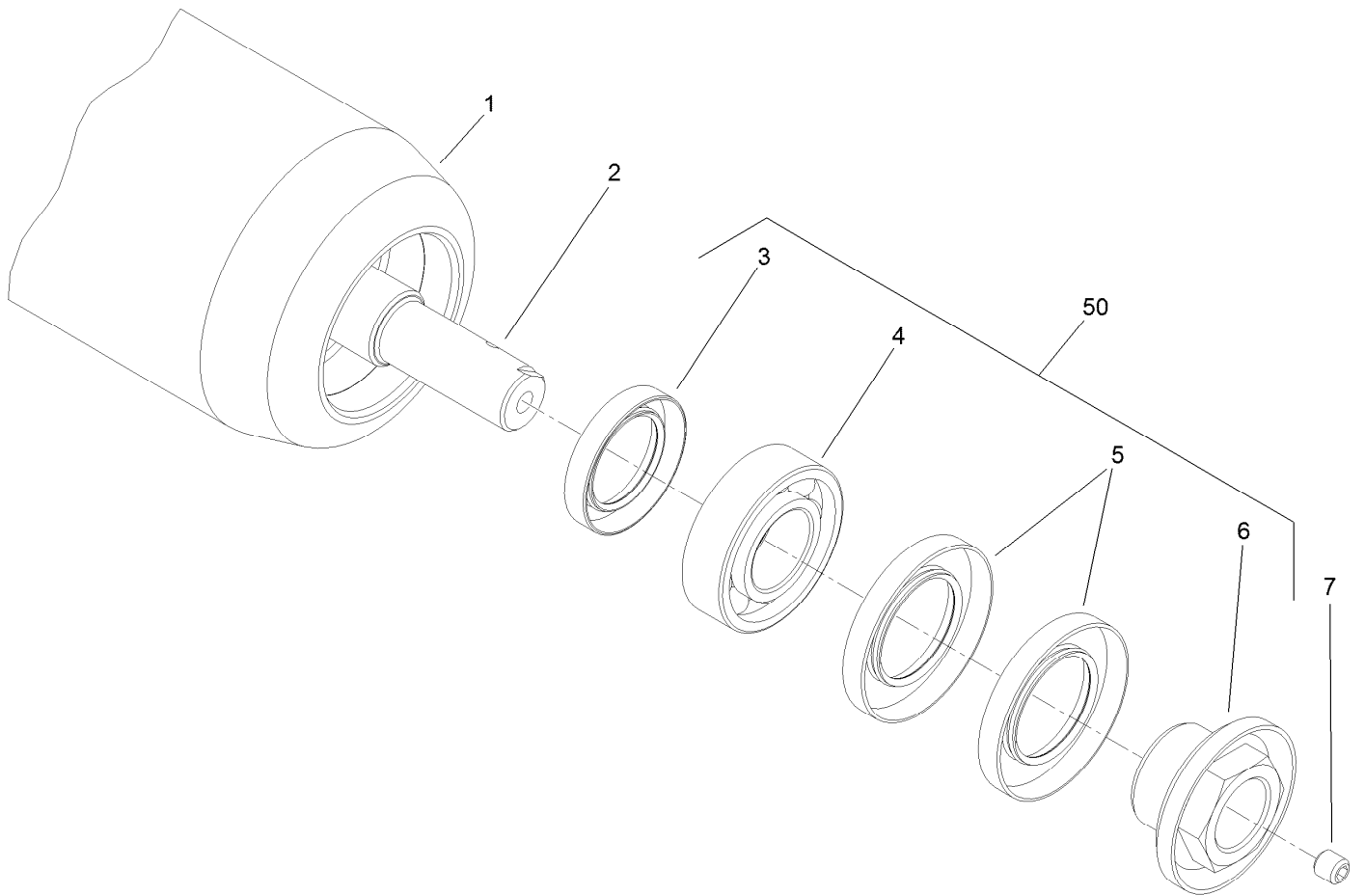
No. 2 and 3 Lift Arm and Deck Assembly (continued)

<i>Ref.</i>	<i>Part Number</i>	<i>Qty.</i>	<i>Description</i>	<i>Ref.</i>	<i>Part Number</i>	<i>Qty.</i>	<i>Description</i>
37	105-9823	4	Bushing-Carrier	38	105-9822	4	Spacer
				39	323-11	4	Screw-HH



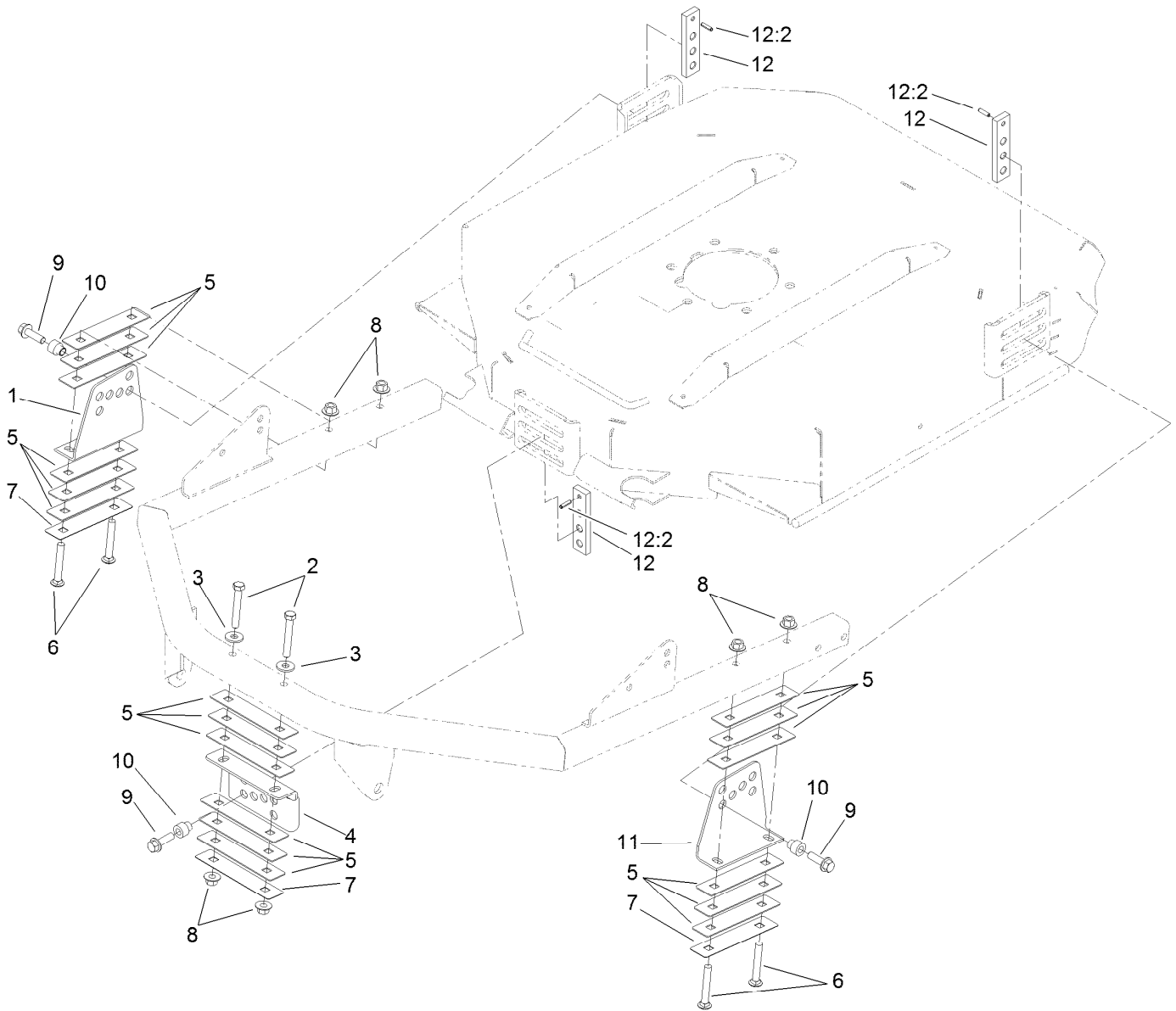
Roller and Carrier Frame Assembly

Ref.	Part Number	Qty.	Description
1	100-5780-03	1	Frame-Deck
2	136-2908	2	Roller ASM
2:1	104-1093	1	Roller
2:2	100-5762	1	Spacer-Bearing
2:3	120-3366	2	Bearing
3	136-2924	2	Screw-HH
4	127-6422	2	Screw-Grease, Roller
9	137-6141	1	Rear Roller ASM
10	323-7	2	Screw-HH
11	3234-11	4	Screw-HHF
12	112-5268	2	Mount-Roller
13	107-7816	2	Bracket-Skid



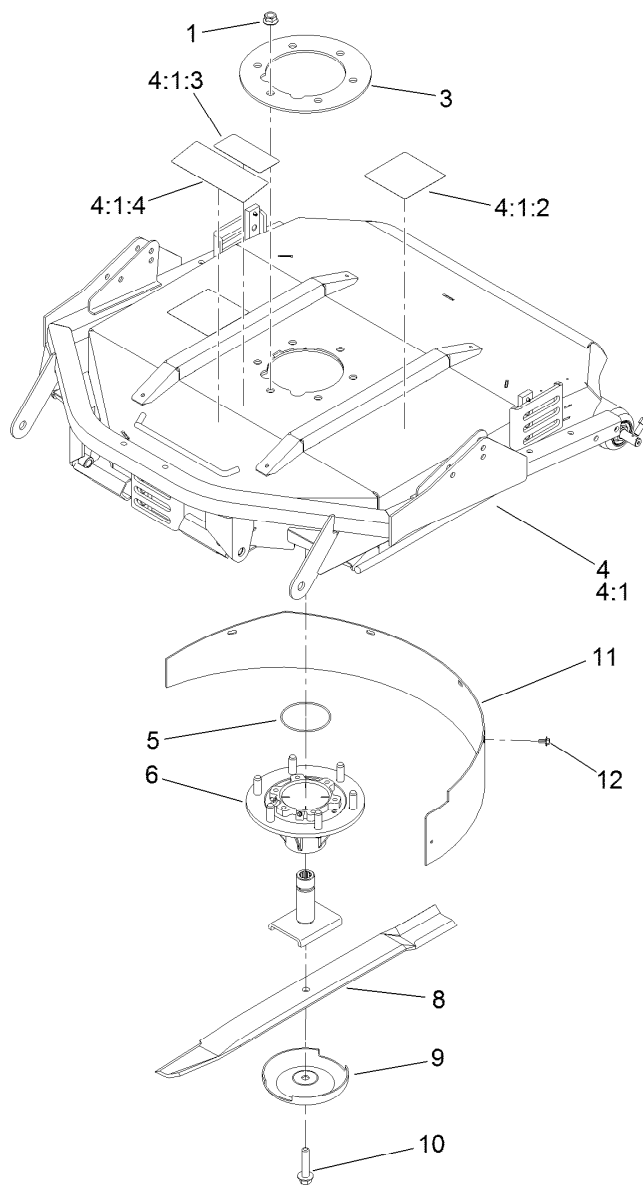
Rear Roller Assembly No. 137-6141

<i>Ref.</i>	<i>Part Number</i>	<i>Qty.</i>	<i>Description</i>
1	137-6140	1	Tube-Roller
2	117-5100	1	Shaft-Roller, Rear
3	114-3717	2	Seal-Oil
4	112-5290	2	Bearing-Steel, Stainless
5	112-7494	4	Seal
6	114-5411	2	Nut-Lock, Bearing
7	108-0989	2	Screw-Set
50	114-5430	1	Roller Rebuild Kit



Height-of-Cut Bracket Assembly

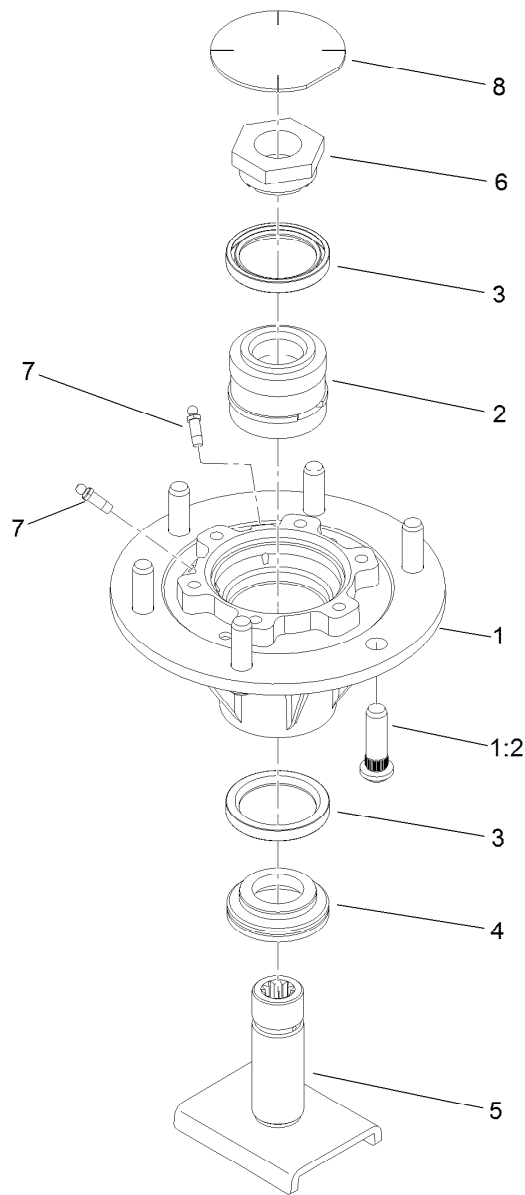
Ref.	Part Number	Qty.	Description
1	100-5797-03	1	Bracket-HOC, RH
2	323-12	2	Screw-HH
3	80-6990	2	Washer-Hardened
4	104-1052-03	1	Bracket-HOC, Front
5	100-5799	18	Shim-HOC, .060 Inch
6	3231-9	4	Screw-CARR
7	104-4641	3	Shim-HOC, .030 Inch
8	32128-43	6	Nut-Flange
9	3234-24	3	Screw-HHF
10	121-3575	3	Spacer-HOC
11	104-4624-03	1	Bracket-HOC, LH
12	136-2921	3	HOC Plate ASM
12:2	32121-5	1	Pin-Spring



Chamber, Blade and Spindle Assembly

Ref.	Part Number	Qty.	Description
1	32128-39	6	Nut-HF
3	104-1051-03	1	Plate-Spindle
4	127-6389	1	Deck Chamber Service ASM
4:1		1	Chamber ASM ●
4:1:2	117-4764	2	Decal-Danger
4:1:3	93-7818	1	Decal-Torque, Blade Bolt
4:1:4	121-3627	1	Decal-Height Of Cut
5	237-161	1	O-Ring
6	121-3666	1	Spindle ASM
8	107-0235-03	1	Blade-Atomic
8	108-9026-03	1	Blade-Combo
9	72-9361	1	Cup-Scalp, Anti
10	92-5816	1	Bolt-Blade
11	108-9025-01	1	Baffle-Mulching
12	46-8560	5	Screw-HHFTF

● Not serviced separately



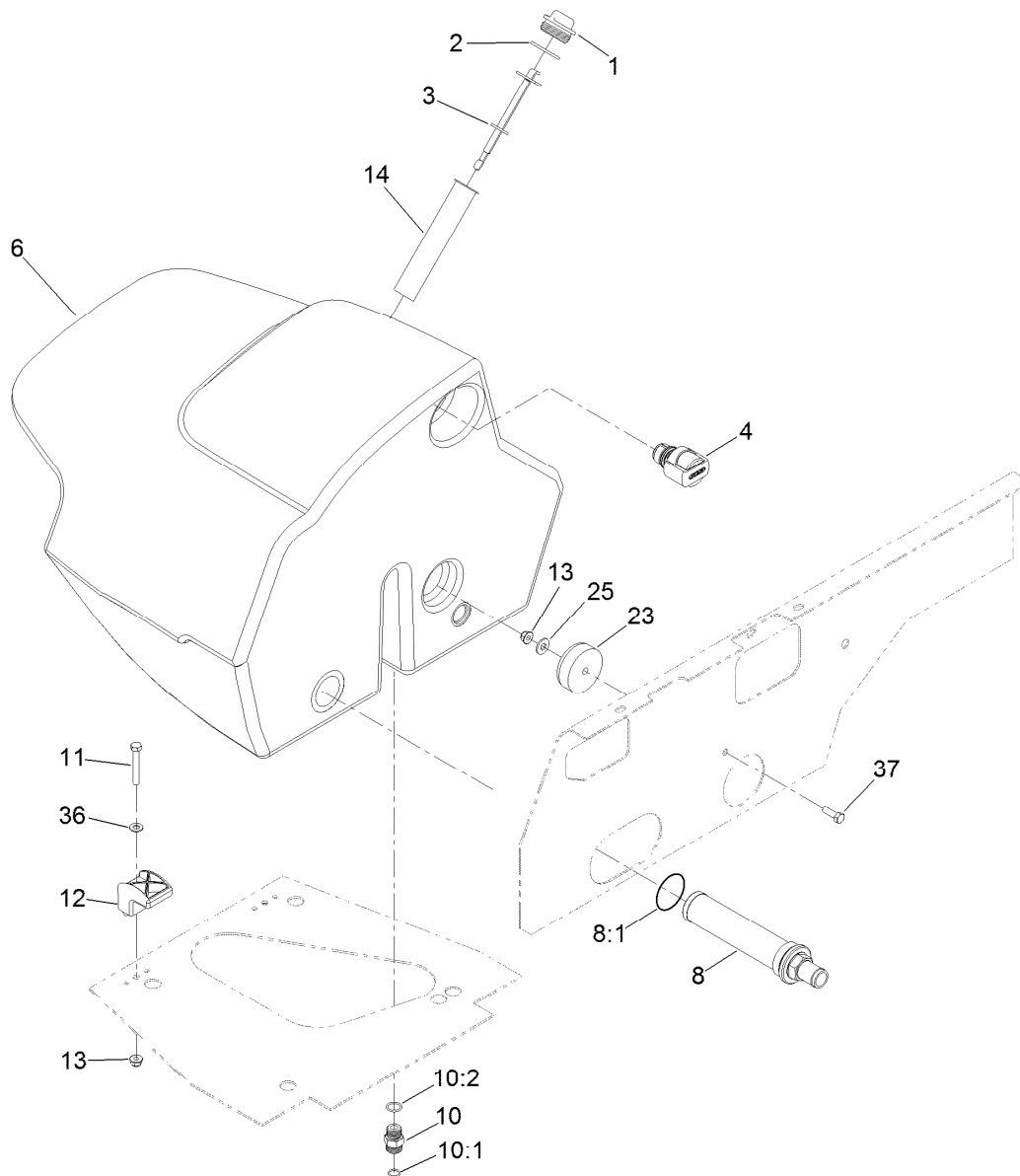
Spindle Assembly No. 121-3666

<i>Ref.</i>	<i>Part Number</i>	<i>Qty.</i>	<i>Description</i>
1	115-3434	1	Spindle
1:2	10-6830	6	Stud-Type, Drive
2	100-5703	1	Spacer And Bearing ASM
3	253-154	2	Seal-Oil
4	138-6416	1	Spacer-Spindle, Shaft
5	121-3664	1	Spindle Shaft ASM
6	100-5709	1	Nut-Spindle, Spcl
7	302-62	2	Fitting-Grease
8	94-2703	1	Plug



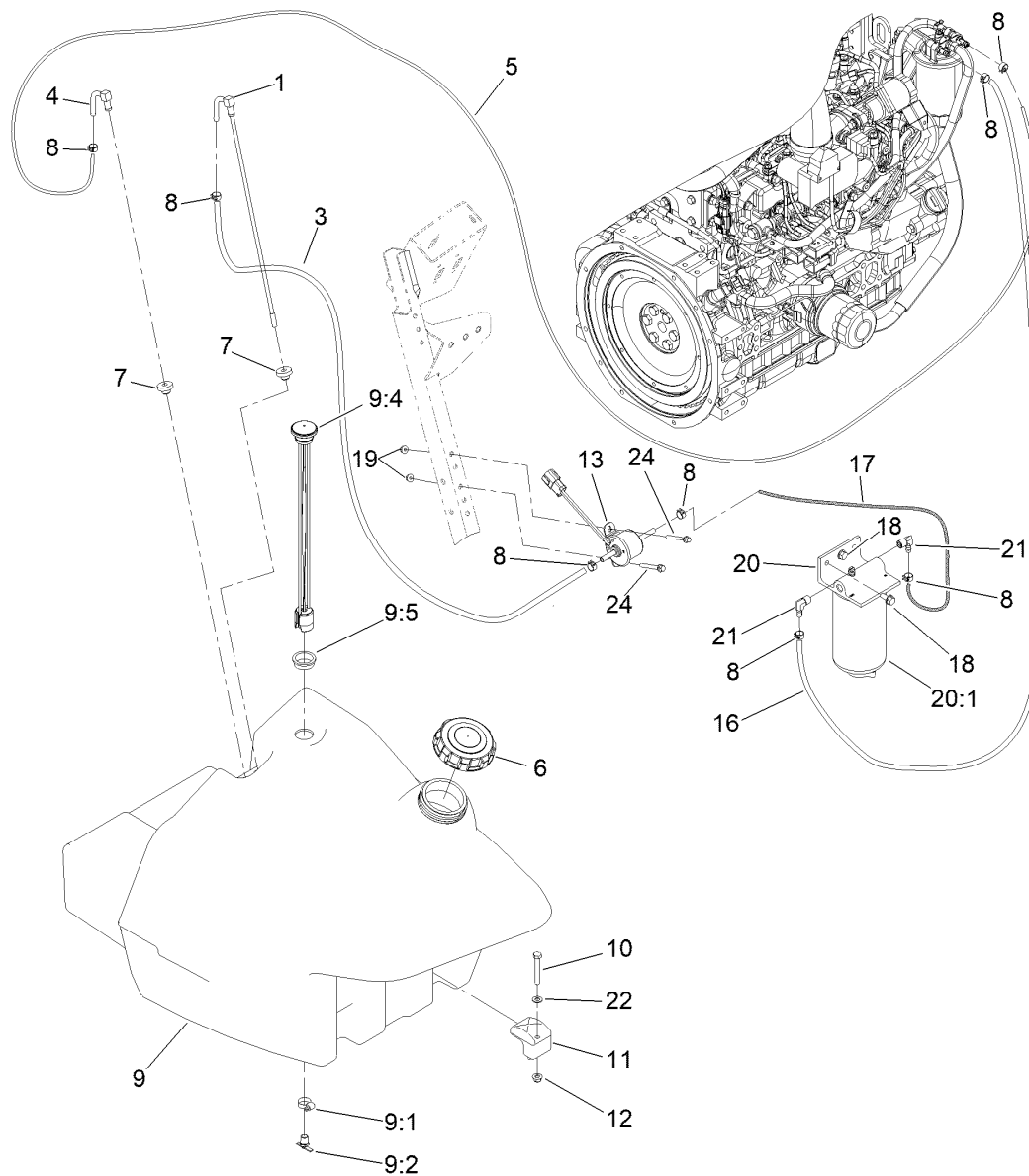
Lift Cylinder Assembly No. 127-6428

<i>Ref.</i>	<i>Part Number</i>	<i>Qty.</i>	<i>Description</i>
1	131-7755	1	Cylinder Seal Kit



Hydraulic Tank Assembly

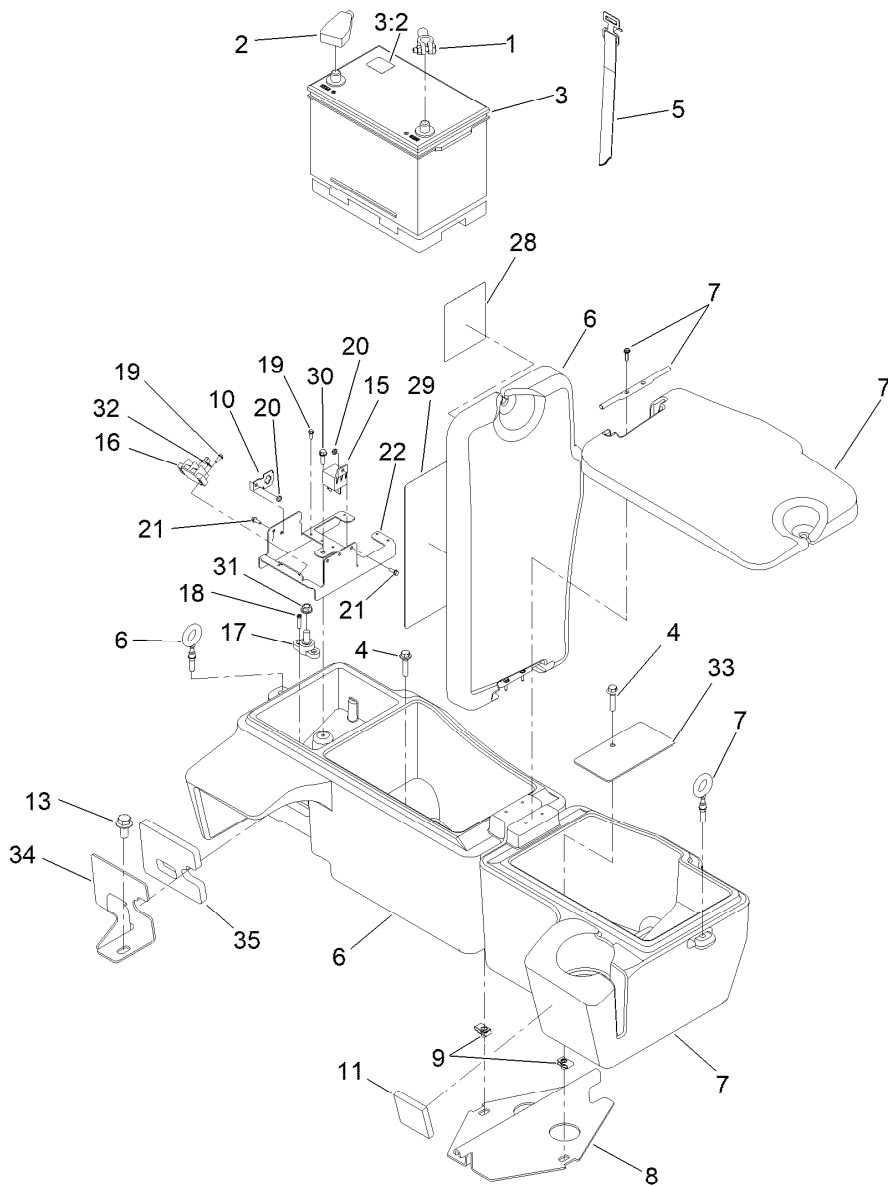
<i>Ref.</i>	<i>Part Number</i>	<i>Qty.</i>	<i>Description</i>	<i>Ref.</i>	<i>Part Number</i>	<i>Qty.</i>	<i>Description</i>
1	93-7498	1	Plug-Plastic	10:2	237-79	1	O-Ring
2	237-101	1	O-Ring	11	322-11	2	Screw-HH
3	119-6968	1	Dipstick-Oil	12	107-4543	2	Clamp
4	115-9793	1	Breather	13	104-8300	3	Nut-HF, NI
6	119-0017	1	Tank-HYD	14	61-2790	1	Filter-Screen
8	104-7546	1	Tank Strainer ASM	23	108-1605	1	Bumper-Recess
8:1	340-136	1	O-Ring	25	3256-3	1	Washer-Flat
10	340-4	1	Fitting-Straight	36	3256-23	2	Washer-Plain
10:1	237-30	1	O-Ring	37	322-5	1	Screw-HH



Fuel System Assembly

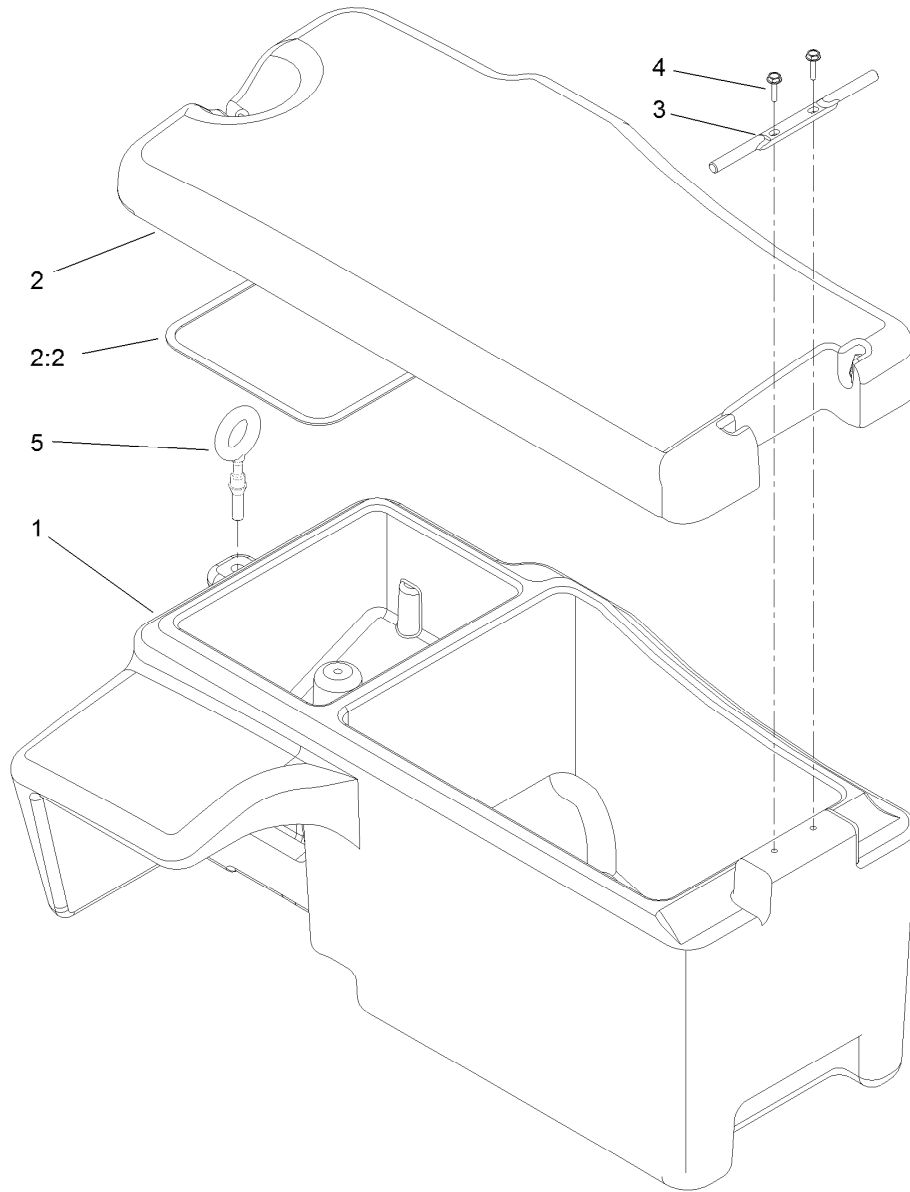
Ref.	Part Number	Qty.	Description
1	115-4354	1	Tube-Suction, Fuel
3	110-8802	1	Hose-Fuel
4	121-3127	1	Fitting-Return
5	119-0577	1	Hose-Fuel
6	114-5062	1	Cap-Biodiesel
7	46-6560	2	Bushing
8	92-2379	8	Clamp-Hose
9	115-4353	1	Fuel Tank ASM
9:1	2412-36	1	Clamp-Hose
9:2	304-46	1	Draincock
9:4	117-4790	1	Guage-Fuel
9:5	95-8972	1	Grommet
10	322-11	2	Screw-HH

Ref.	Part Number	Qty.	Description
11	107-4543	2	Clamp
12	104-8300	2	Nut-HF, NI
13	145-3154	1	Pump-Fuel, Electric
16	109-0308	1	Hose-Fuel
17	110-4113	1	Hose-Fuel
18	3234-5	2	Screw-HHF
19	104-7201	2	Nut-HF, NI
20	125-2914	1	Filter-Separator
20:1	125-2915	1	Filter-Fuel/Water Separator
21	353-781	2	Fitting-HYD, 90
22	3256-23	2	Washer-Plain
24	3234-34	2	Screw-HHF



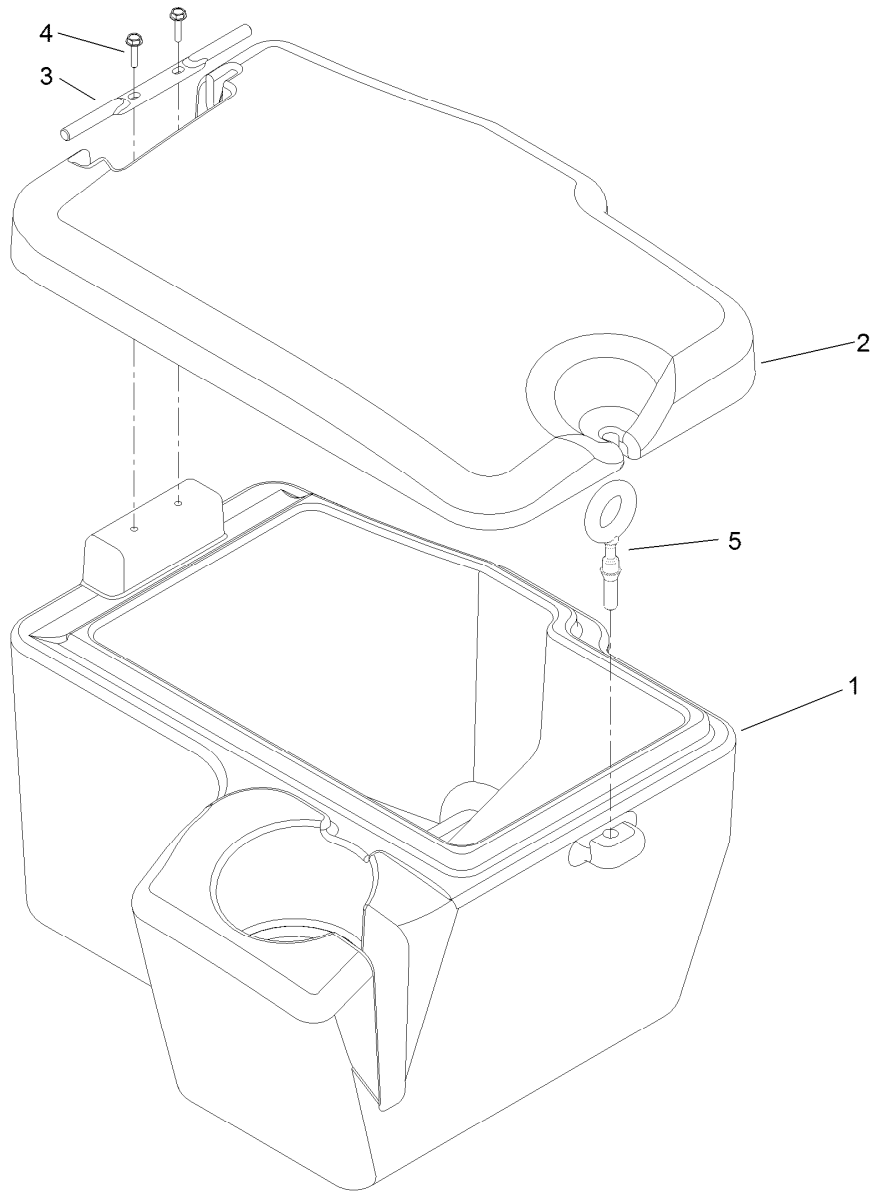
Battery Mount Assembly

<i>Ref.</i>	<i>Part Number</i>	<i>Qty.</i>	<i>Description</i>	<i>Ref.</i>	<i>Part Number</i>	<i>Qty.</i>	<i>Description</i>
1	117-2377	1	Cable-Battery, Negative	17	110-8822	1	Block-Junction
2	121-6589	1	Cable-Battery, Positive	18	93-0231	2	Screw-PPH
3	139-1005	1	Battery Kit	19	32144-87	6	Screw-HWHTF
3:2	139-1006	1	Decal	20	3296-54	4	Nut-Lock
4	115-1794	2	Screw-HHF	21	112-3169	4	Screw-HHF, Serrated
5	3339-175	1	Strapping-Web	22	115-4356-0P	1	Mount-Fuse Blocks
6	115-9100	1	Box-Storage, Battery	28	136-3338	1	Decal-Fuse
7	115-9101	1	Box-Storage	29	136-3566	1	Decal-Service, Gm45/4700
8	115-4387-0P	1	Support-Box, Storage	30	46-8091	1	Screw-HWH
9	112-3306	2	Nut	31	3290-357	1	Nut-HSF
10	114-5502	1	Clip-Fuse	32	42863	1	Strip-Jumper
11	117-4783	2	Seal-Foam	33	117-4768-0P	1	Plate-Storage Box
13	3234-6	1	Screw-HHF	34	117-4774-0P	1	Clamp [primed]
15	99-7435	3	Relay	35	117-4775	1	Seal-Battery Box
16	42862	1	Block-Terminal, Ground				



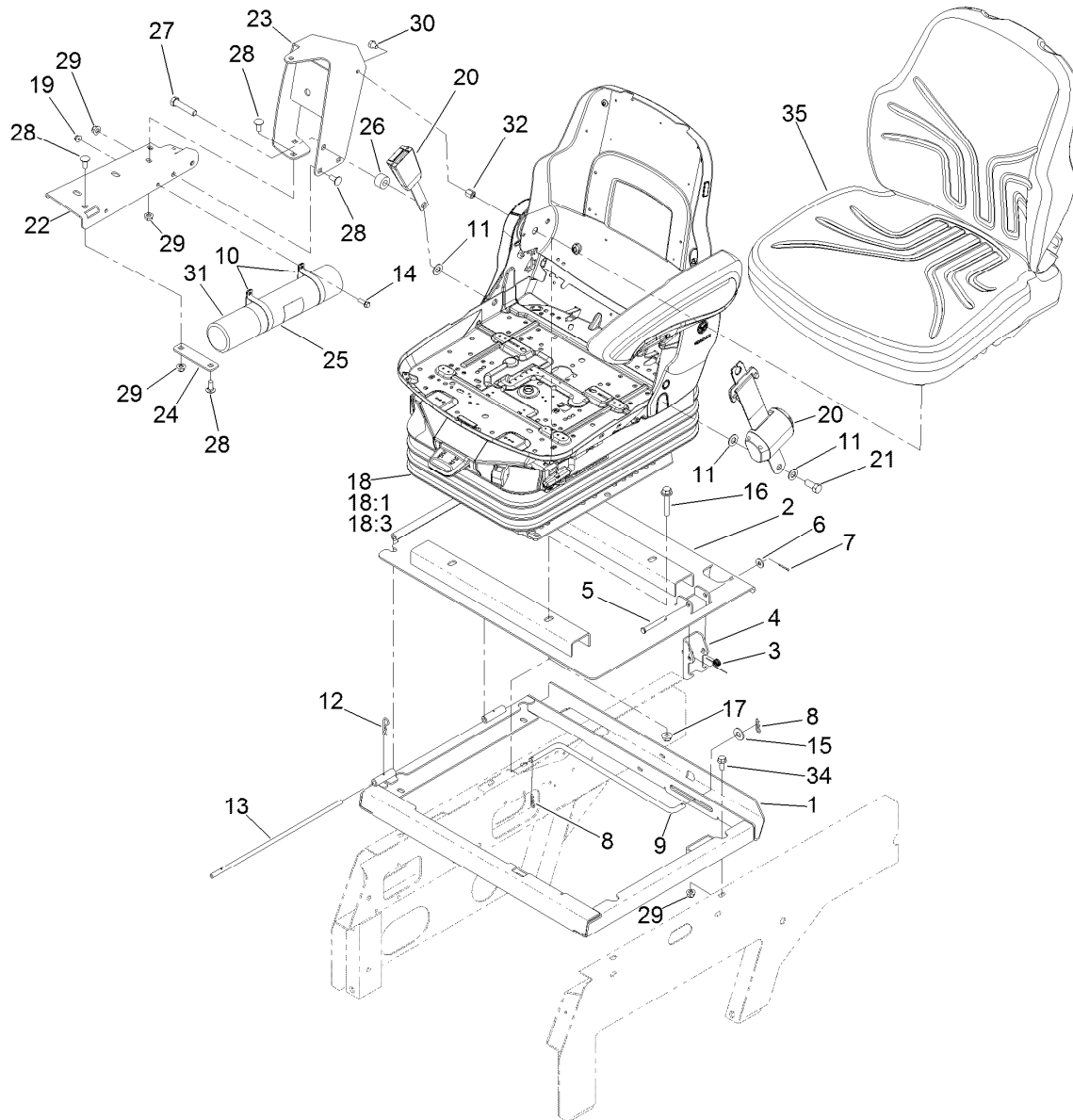
Battery Storage Box Assembly No. 115-9100

<i>Ref.</i>	<i>Part Number</i>	<i>Qty.</i>	<i>Description</i>
1	114-8124	1	Box-Storage, RH
2	115-4368	1	Cover ASM
2:2	115-4367	1	Seal-Cover
3	114-8132	1	Hinge-Cover
4	98-1375	2	Screw-HWH
5	115-4366	1	Latch-Rubber



Storage Box Assembly No. 115-9101

<i>Ref.</i>	<i>Part Number</i>	<i>Qty.</i>	<i>Description</i>
1	114-8123	1	Box-Storage, LH
2	114-8125	1	Cover-Storage Box, LH
3	114-8132	1	Hinge-Cover
4	98-1375	2	Screw-HWH
5	115-4366	1	Latch-Rubber

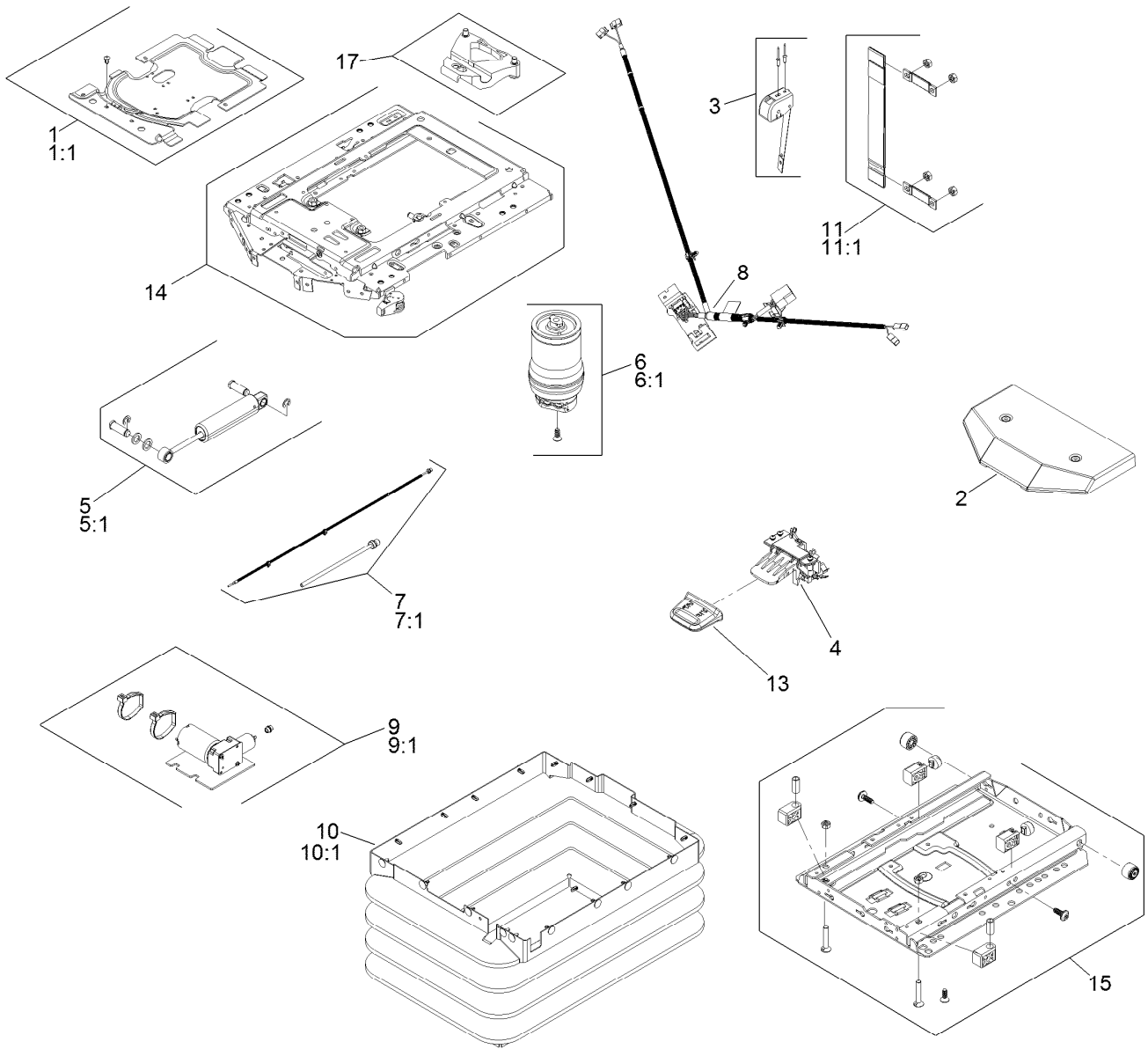


Seat Mounting Assembly

Ref.	Part Number	Qty.	Description	Ref.	Part Number	Qty.	Description
1	115-4400-03	1	Frame-Seat	18:1	130-2702	1	Air Ride Seat Suspension
2	115-4411-03	1	Plate-Seat	18:3	132-1304	1	Backrest Adjustment Kit
3	104-4821	1	Spring-Torsion	19	104-7201	2	Nut-HF, NI
4	115-4423-03	1	Latch-Seat Plate	20	110-0413	1	Seatbelt-Retractable
5	110-0618	1	Pin-Clevis	21	3212-4	1	Screw-HH
6	3256-2	1	Washer-Flat	22	119-0000-03	1	Channel-Support
7	3272-6	1	Pin-Cotter	23	117-4798-03	1	Arm-Support
8	3290-307	4	Pin-Cotter	24	112-7449	1	Strap-Support
9	117-4797	2	Rod-Seat Frame	25	104-7050	1	Tube-Manual
10	107-1865	2	R-Clamp	26	17-7190	1	Spacer-Finger
11	3256-25	3	Washer-Flat	27	3212-8	1	Screw-HH
12	3290-467	1	Pin-Hair	28	3230-23	6	Bolt-CARR
13	75-3400	1	Shaft-Pivot, Seat	29	104-8300	9	Nut-HF, NI
14	32105-15	2	Screw-HWH	30	108-8646	1	Screw-HH, Lock
15	3256-4	2	Washer-Flat	31	104-7048	1	Cap-Housing
16	66-9302	4	Screw-HHF Lock	32	112-7405	1	Nut-Hex, Coupling
17	104-8301	4	Nut-HF, NI	34	3234-47	4	Screw-HHF
18	132-1302	1	Seat And Suspension ASM	35	117-5676	1	Premium Seat ASM
			■	99	108-8024	1	Switch Kit ●

● Not illustrated

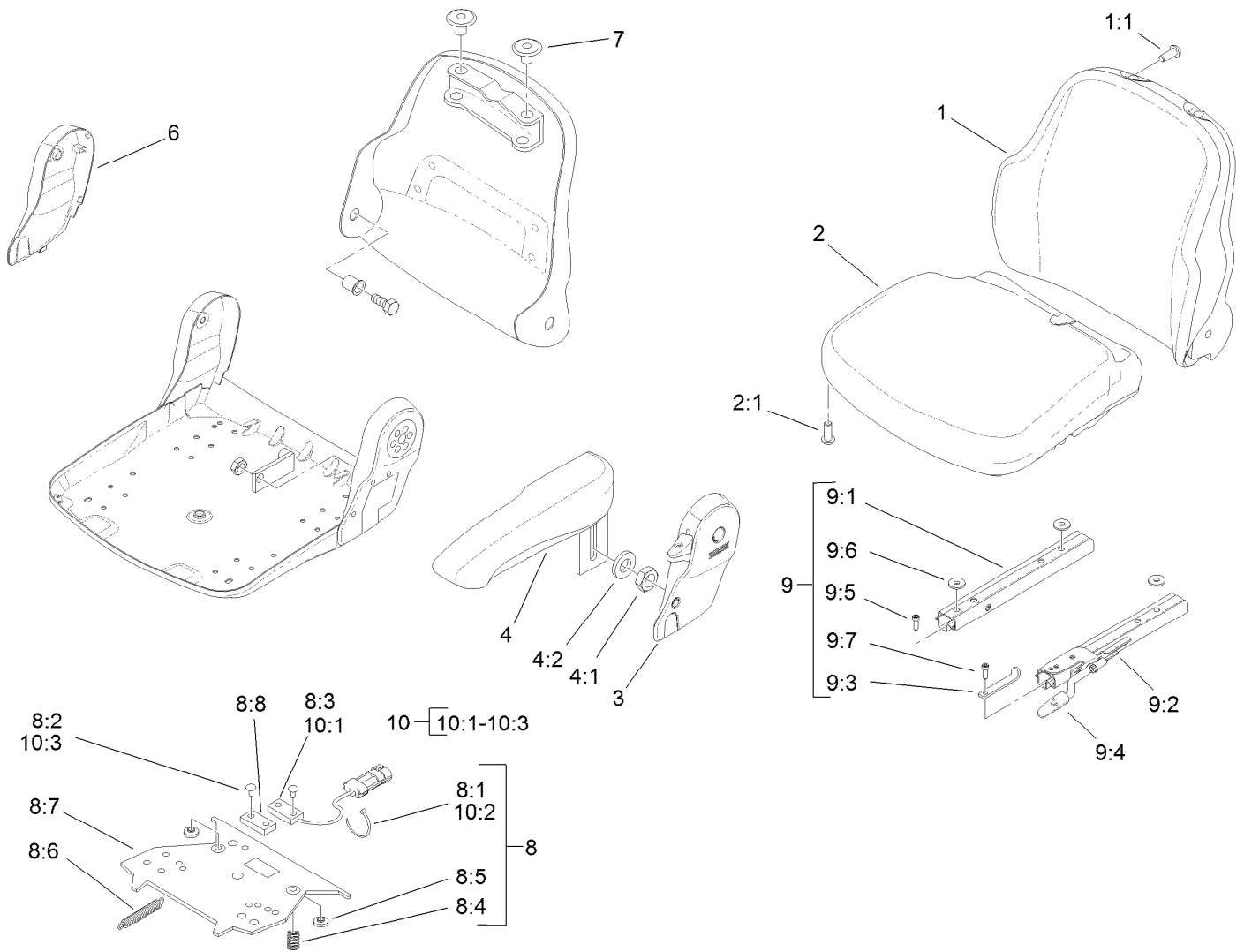
■ Not serviced separately



Air Ride Seat Suspension Assembly No. 130-2702

<i>Ref.</i>	<i>Part Number</i>	<i>Qty.</i>	<i>Description</i>	<i>Ref.</i>	<i>Part Number</i>	<i>Qty.</i>	<i>Description</i>
1	130-2709	1	Cover ASM	9	130-2719	1	Compressor
1:1	130-2710	1	Cover Kit	9:1	130-2720	1	Compressor Kit
2	108-8027	1	Cover	10	130-2721	1	Bellows ASM
3	130-2711	1	Control-Level	10:1	130-2722	1	Bellows Kit
4	108-8029	1	Valve-Control, Air	11	130-2723	1	Tether
5	130-2712	1	Shock Absorber ASM	11:1	130-2724	1	Tether Kit
5:1	130-2713	1	Shock Absorber Kit	12	130-2725	1	Wear Parts Kit ●
6	130-2714	1	Air Spring ASM	13	130-2726	1	Handle
6:1	130-2715	1	Air Spring Kit	14	130-2727	1	Upper Suspension Kit
7	130-2716	1	Air Tube ASM	15	130-2728	1	Lower Suspension Kit
7:1	130-2717	1	Air Tube Kit	16	130-2729	1	Adjuster Mounting Kit ●
8	130-2718	1	Harness-Wire	17	130-2730	1	Limiters-Thrust

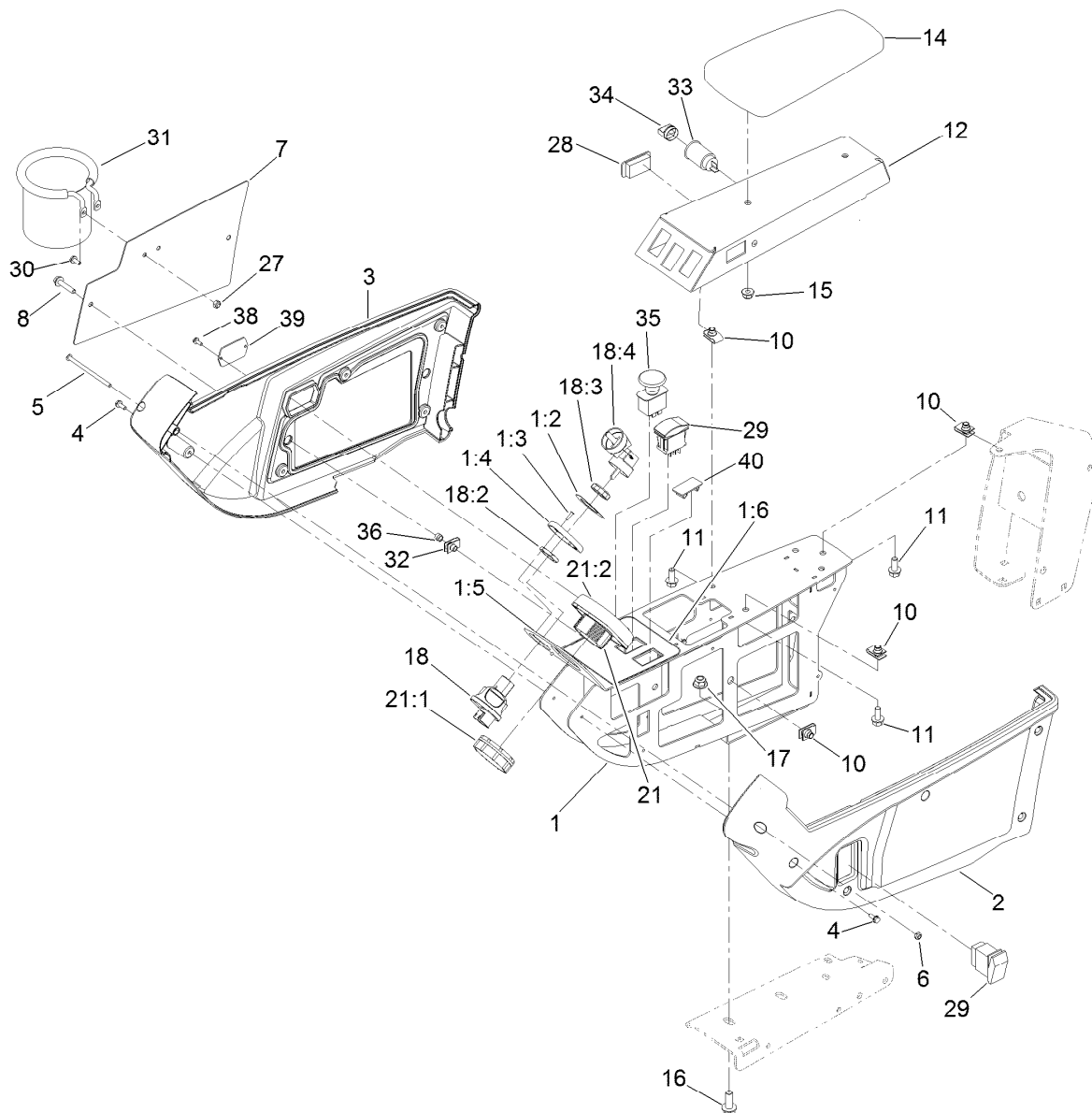
● Not illustrated



Vinyl Premium Seat Assembly No. 117-5676

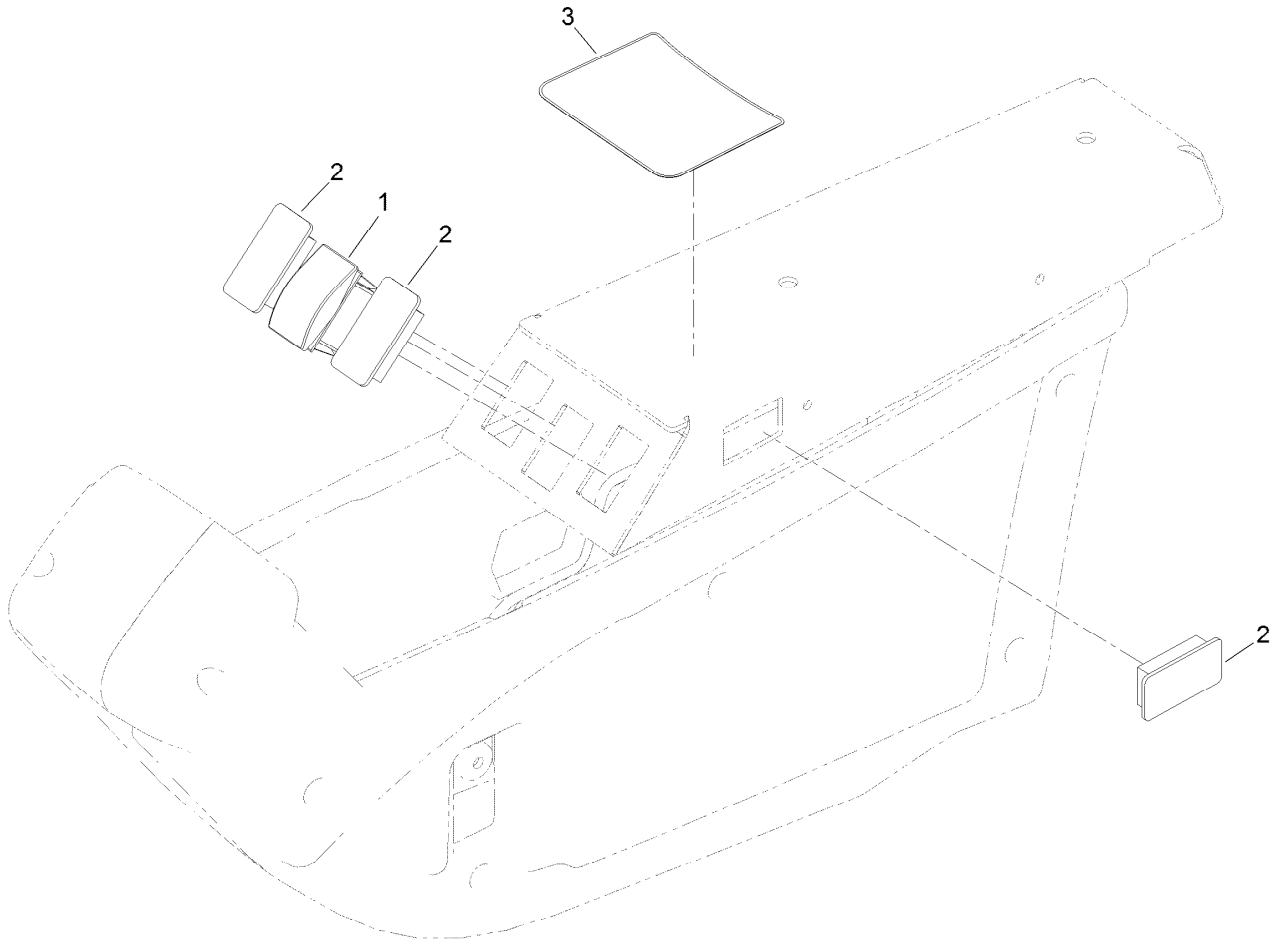
Ref.	Part Number	Qty.	Description	Ref.	Part Number	Qty.	Description
1	108-8016	1	Backrest Cushion ASM	8:6		1	Spring-Extension ●
1:1	119-7742	4	Screw-Cushion	8:7		1	Plate-Mounting ●
2	108-8017	1	Seat Cushion ASM	8:8		1	Magnet ●
2:1	119-7742	3	Screw-Cushion	9	108-8025	1	Adjustment Rail Set
3	108-8018	1	Cover-Armrest	9:1		1	Rail-Adjustment, RH ●
4	108-8019	1	LH Armrest ASM	9:2		1	Rail-Adjustment, LH ●
4:1	82-9650	1	Nut	9:3		1	Stop-Rail ●
4:2	107-1198	1	Washer	9:4		1	Handle ●
6	108-8021	1	Cover-Armrest	9:5		3	Screw ●
7	108-8022	2	Cover-Black	9:6		3	Washer ●
8	108-8024	1	Switch Kit	9:7		1	Screw ●
8:1		3	Wire Tie ●	10	110-6189	1	Switch Kit
8:2		4	Rivet ●	10:1		1	Switch ●
8:3		1	Sensor-Seat Switch ●	10:2		3	Wire Tie ●
8:4		2	Spring-Compression ●	10:3		2	Rivet ●
8:5		2	Bumper-Pressure Plate ●				

● Not serviced separately



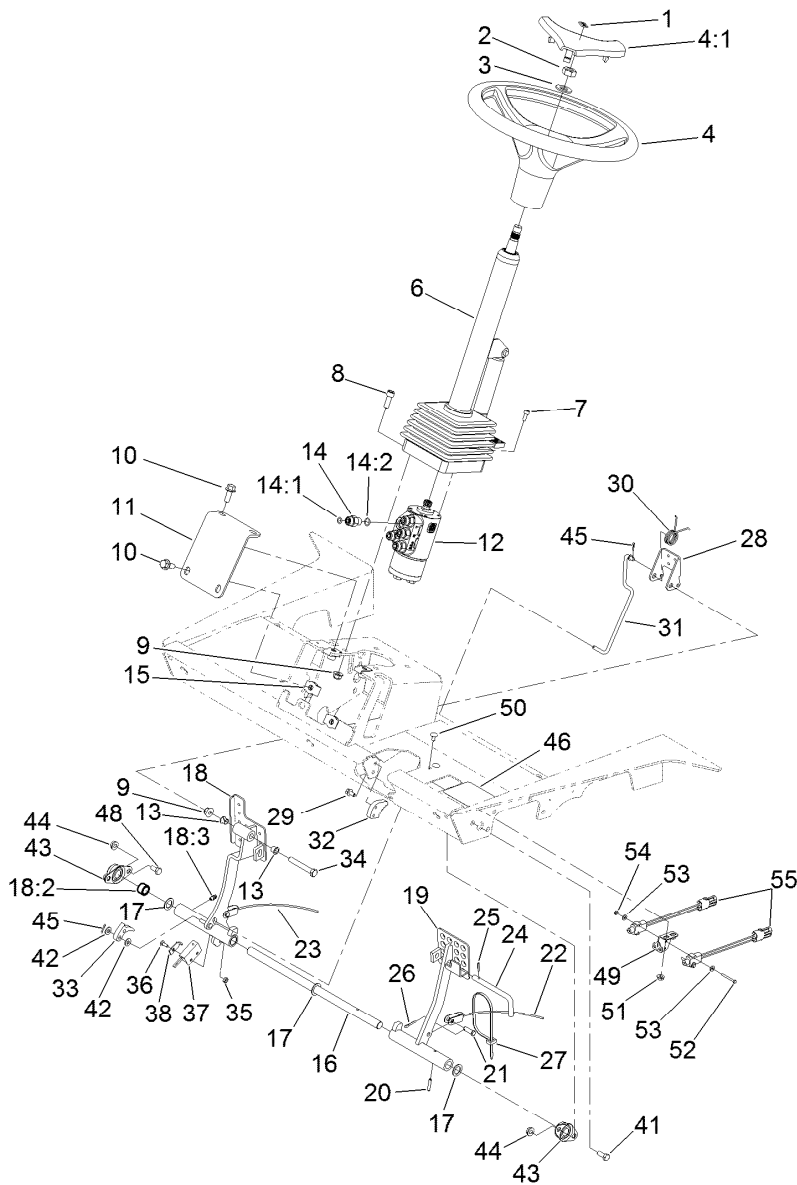
Console Assembly

Ref.	Part Number	Qty.	Description	Ref.	Part Number	Qty.	Description
1	136-3325	1	ASM-Panel	18:2	121-5160	1	Nut-Hex
1:2	136-3185	1	Decal-Console, Lower	18:3	121-5161	1	Nut-Face
1:3	121-3887	1	Decal-Console, Display	18:4	121-5162	1	Set-Key, Ignition
1:4	121-3889	1	Step-Elevated, Switch	21	120-6310	1	LCD Display ASM Kantrak 1700
1:5	3269-17	2	Rivet-Pop	21:1	120-4630	1	Nut-Display
1:6	121-3884	1	Decal-Console, Upper	21:2	120-6311	1	Decal-Display
2	108-7604	1	Cover-LH	27	3296-2	2	Nut-Lock, NI
3	108-7605	1	Cover-RH	28	114-3329	1	Switch-Rocker
4	32144-112	10	Screw-HWH	29	95-8999	2	Switch-Rocker, On-None-On
5	3250-22	1	Screw-PPH	30	3290-321	2	Screw-HWH
6	3296-12	1	Nut-Lock, NI	31	117-2378	1	Holder-Bag
7	115-8849-03	1	Plate-Cover	32	107069	2	Clip
8	3234-21	2	Screw-HHF	33	99-7411	1	Point-Power
10	94-2413	5	Nut-U	34	99-7416	1	Cap
11	3234-5	5	Screw-HHF	35	93-9999	1	Switch-PTO
12	125-4646-03	1	Panel-Control	36	110-0542	2	Spacer-Flange
14	108-7602	1	Rest-Arm	38	32144-18	2	Screw-HWH
15	104-8300	2	Nut-HF, NI	39	121-1630	1	Plate-Cover
16	3234-42	2	Screw-HHF	40	99-7420	1	Plug-Hole
17	104-8301	2	Nut-HF, NI				
18	121-5159	1	Switch-Ignition				



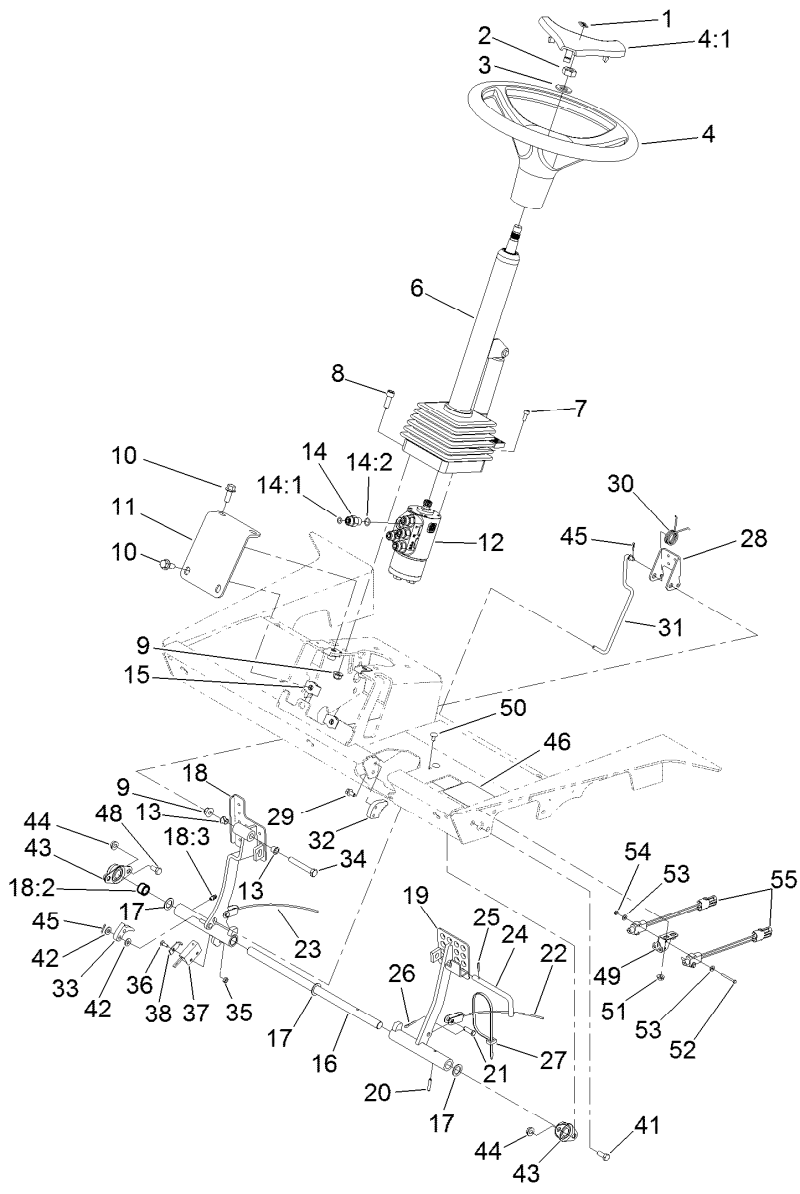
Console, Switch, Cover and Decal Assembly

<i>Ref.</i>	<i>Part Number</i>	<i>Qty.</i>	<i>Description</i>
1	100-1535	1	Switch-Rocker, (On)-Off-(On)
2	99-7420	3	Plug-Hole
3	136-2931	1	Decal-Lift



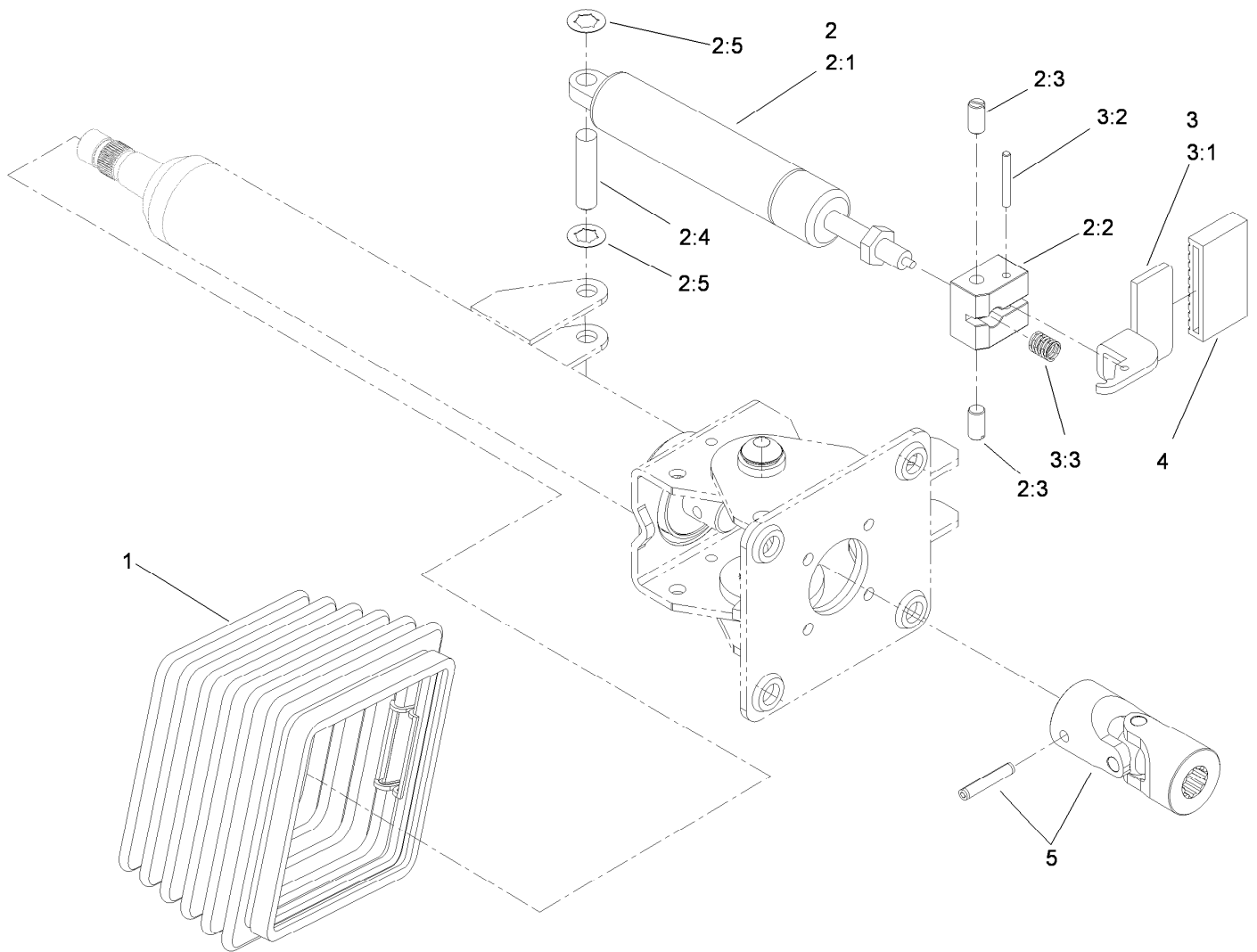
Steering and Brake Assembly

Ref.	Part Number	Qty.	Description	Ref.	Part Number	Qty.	Description
1	98-1459	1	Decal	18:3	302-5	1	Fitting-Grease
2	3296-33	1	Nut-Lock, NI	19	136-2887-03	1	Pedal-Brake, LH
3	3256-27	1	Washer-Flat	20	32121-16	1	Pin-Spring
4	98-1471	1	Wheel-Steering	21	283-58	2	Pin-Clevis
4:1	98-1468	1	Cover-Wheel, Steering	22	92-7530	1	Cable-Brake, LH
6	106-3622	1	Steering Tilt Column ASM	23	92-7529	1	Cable-Brake, RH
7	105-2409	4	Screw-HSH	24	63-7880	1	Pin-Latch, Brake
8	3274-7	4	Screw-HSH	25	32121-50	1	Pin-Spring
9	104-8301	5	Nut-HF, NI	26	3272-10	2	Pin-Cotter
10	3234-11	4	Screw-HHF	27	3290-378	1	Tie-Cable
11	115-4379-0P	1	Brace-Column	28	99-7963-03	1	Pedal-Park
12	114-8119	1	Steering Valve ASM	29	3234-13	2	Screw-HHF
13	52-2891	2	Bushing-Flanged, Nylon	30	99-7140	1	Spring-Torsion
14	340-2	5	Fitting-Straight	31	115-4417	1	Rod-Brake Pawl
14:1	237-22	1	O-Ring	32	119-0002	1	Pawl-Brake
14:2	237-42	1	O-Ring	33	120-1691	1	Detent-Brake
15	105-4886	4	Nut-Tinnerman	34	323-12	1	Screw-HH
16	75-1470	1	Pin-Pivot, Brake	35	3296-2	1	Nut-Lock, NI
17	3256-69	3	Washer-Flat	36	3229-34	1	Screw-CARR
18	136-2889	1	Pedal-Brake, RH	37	100-1270	1	Switch-Proximity
18:2	256-42	2	Bushing	38	100-4872	1	Plate-Switch, Neutral



Steering and Brake Assembly (continued)

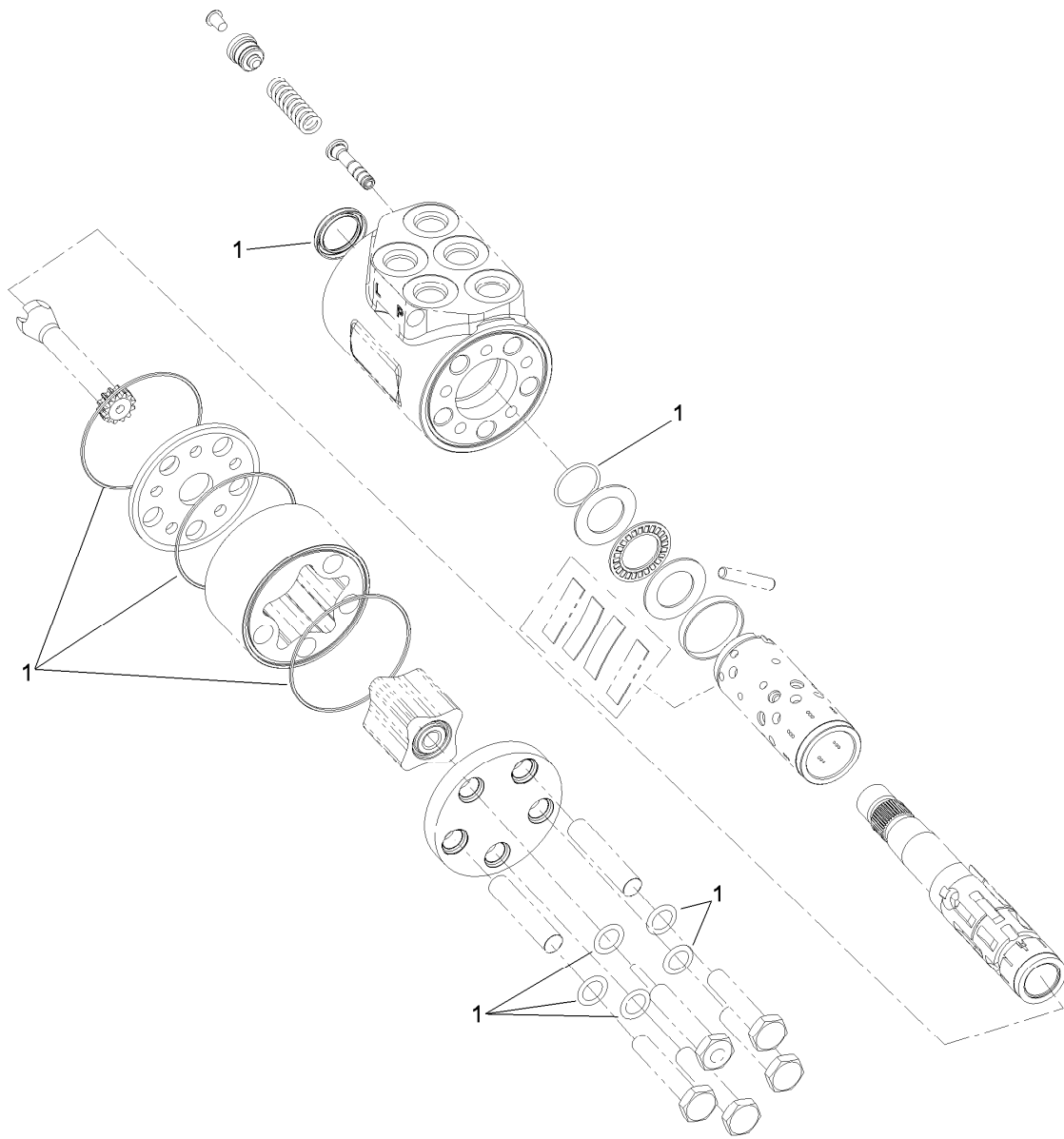
<i>Ref.</i>	<i>Part Number</i>	<i>Qty.</i>	<i>Description</i>	<i>Ref.</i>	<i>Part Number</i>	<i>Qty.</i>	<i>Description</i>
41	322-3	1	Screw-HH	50	116-5611	2	Bolt-Carriage 1/4-20 X 1/2 Short Neck
42	3256-22	3	Washer-Flat	51	32128-33	2	Nut-HF
43	256-236	2	Bearing-Mount, Flange	52	32105-21	2	Screw-HH
44	32128-20	3	Nut-HF	53	3256-21	4	Washer-Flat
45	3272-5	3	Pin-Cotter	54	3296-9	2	Nut-Hex
46	117-4763	1	Decal-Brake	55	99-3410	2	Switch
48	322-2	2	Screw-HH				
49	131-7842	1	Plate-Bent, Bracket				



Steering Tilt Column Assembly No. 106-3622

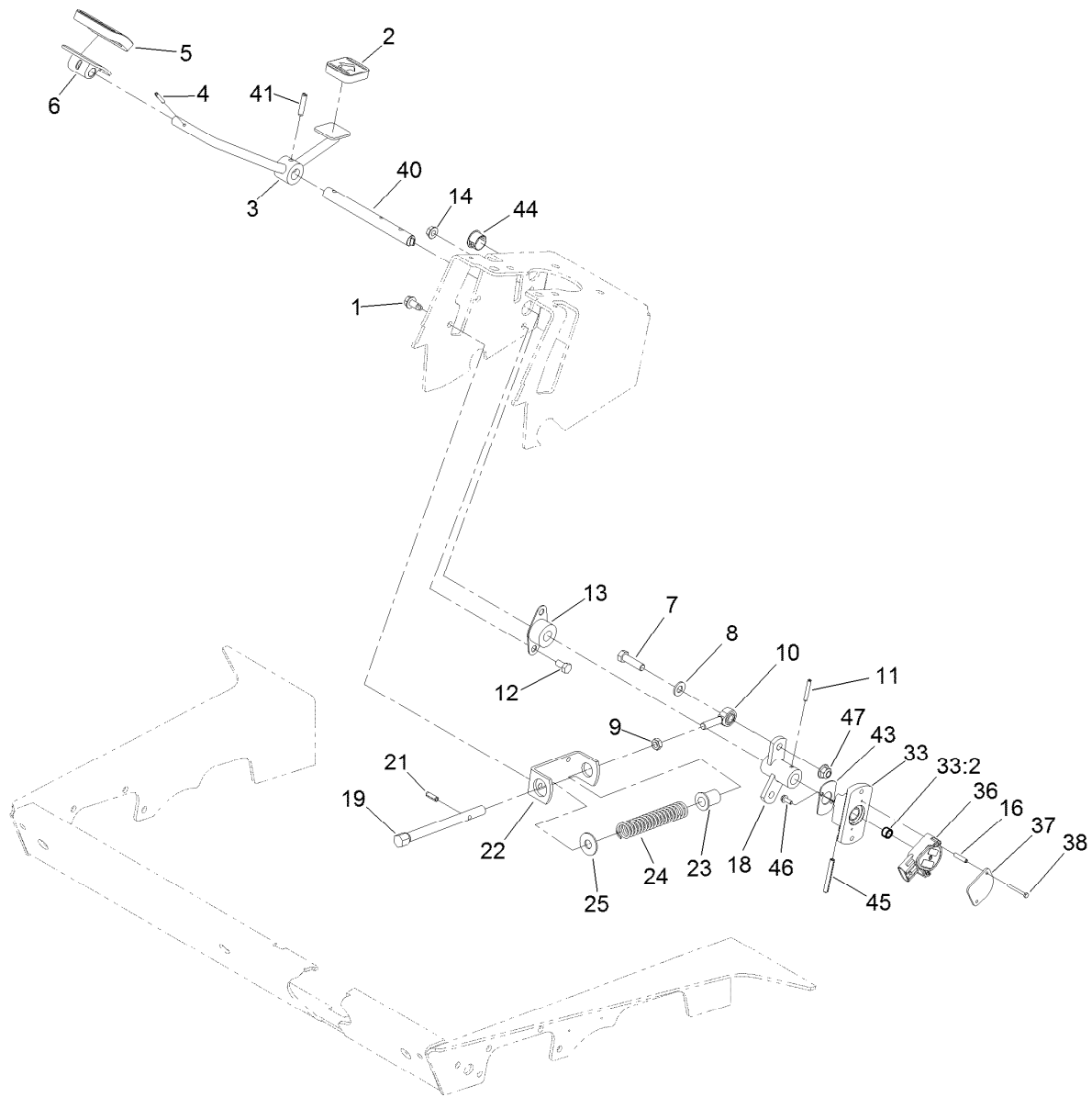
Ref.	Part Number	Qty.	Description
1	110-6462	1	Bellows-Rubber
2	110-6463	1	Cylinder Service Kit
2:1		1	Cylinder-Gas ●
2:2		1	Block-Pedal ●
2:3		2	Bolt ●
2:4		1	Pin ●
2:5		2	Washer-Lock ●
3	110-6464	1	Pedal Service Kit
3:1		1	Pedal ●
3:2		1	Pin ●
3:3		1	Spring ●
4	110-6465	1	Cover-Pedal
5	120-6256	1	Universal Joint Kit

● Not serviced separately



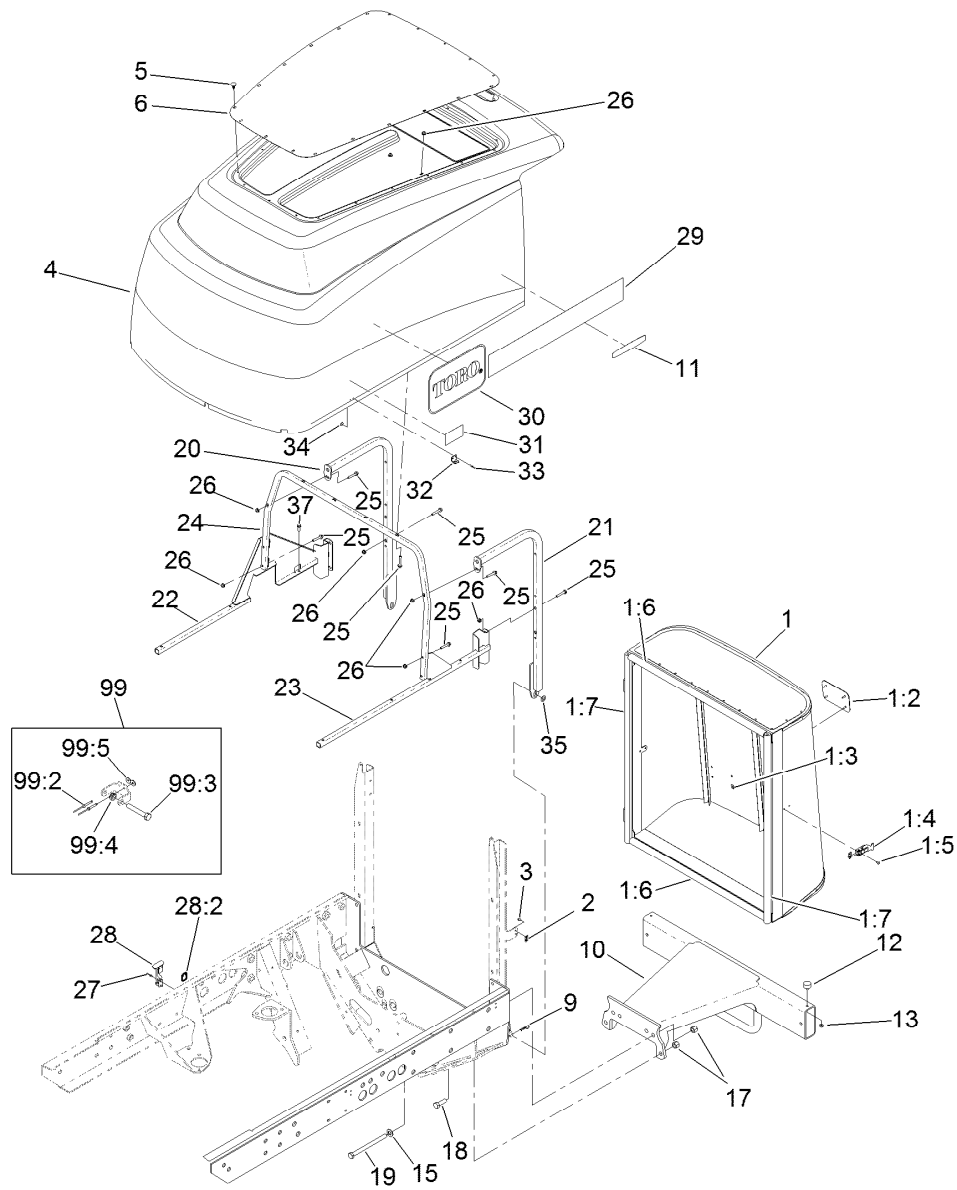
Steering Valve Assembly No. 114-8119

<i>Ref.</i>	<i>Part Number</i>	<i>Qty.</i>	<i>Description</i>
1	106-6716	1	Seal Kit



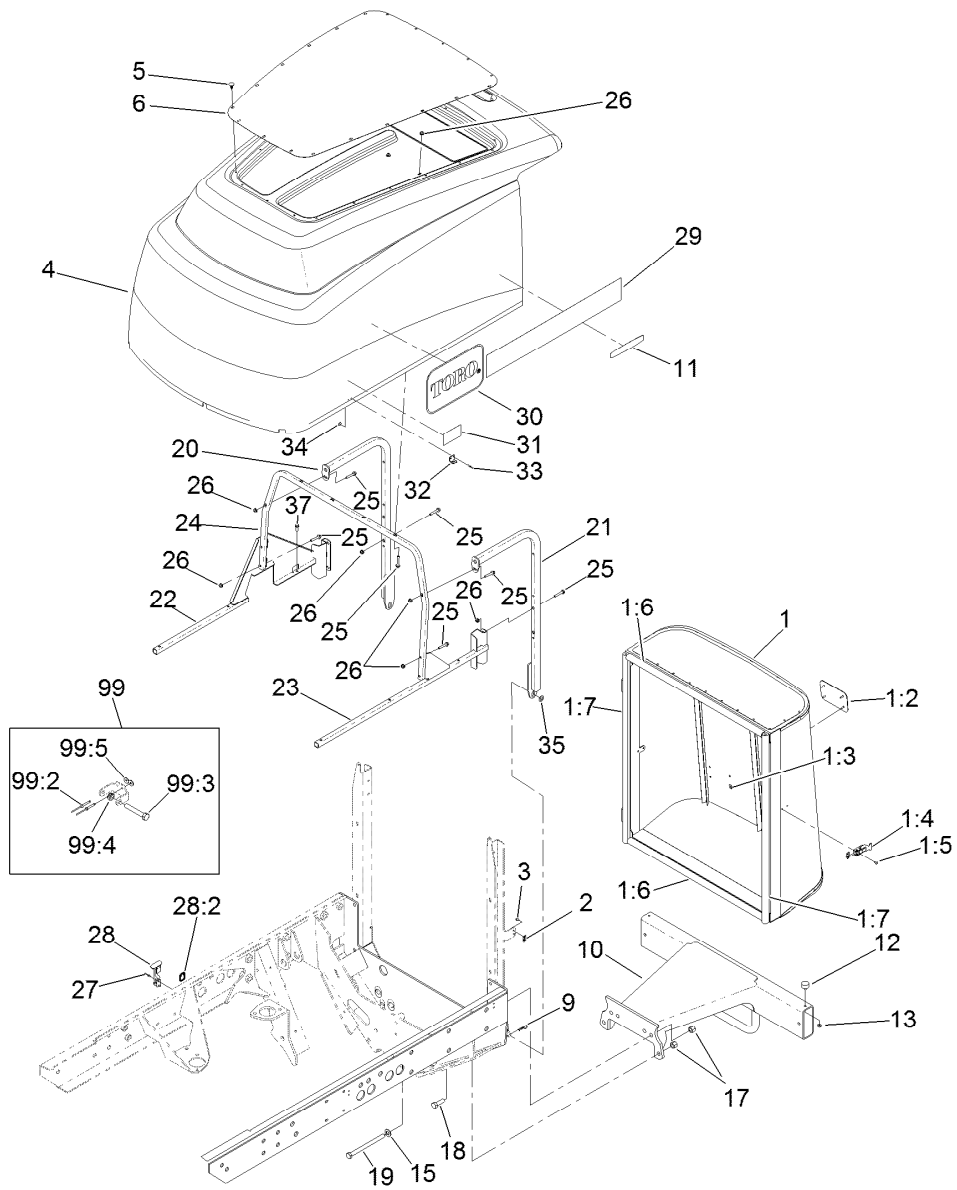
Pedal Assembly

<i>Ref.</i>	<i>Part Number</i>	<i>Qty.</i>	<i>Description</i>	<i>Ref.</i>	<i>Part Number</i>	<i>Qty.</i>	<i>Description</i>
1	32104-32	2	Screw-HWH	21	32121-11	1	Pin-Roll
2	74-9110	1	Pad-Pedal, Reverse	22	92-7608-03	1	Bracket-Spring
3	120-8095	1	Pedal	23	92-7610	1	Retainer-Spring
4	32121-45	1	Pin-Spring	24	84-9100	1	Spring
5	74-9100	1	Pad-Pedal, Forward	25	3256-5	1	Washer-Flat
6	117-9507	1	Pedal-Accelerator	33	120-8038	1	Hub ASM
7	323-29	1	Screw-HH	33:2	95-7497	1	Bushing-Wheel
8	3256-24	1	Washer-Plain	36	114-5609	1	Sensor-Position
9	3220-3	1	Nut-HJ	37	114-5595	1	Plate-Capture
10	2411-36	1	Bearing-End, Rod	38	32105-21	2	Screw-HH
11	32121-6	1	Pin-Roll, Slotted	40	120-8091	1	Shaft-Pivot, Traction
12	322-2	4	Screw-HH	41	32121-69	1	Pin-Roll
13	256-236	1	Bearing-Mount, Flange	43	120-8089	1	Plate-Cover, Sensor
14	32128-20	2	Nut-HF	44	121-3099	1	Plug-Panel, Plastic
16	114-5608	2	Spacer-Standoff	45	32121-78	1	Pin-Roll
18	120-8088-0P	1	Hub-Traction Pedal Pivot	46	3290-321	2	Screw-HWH
19	115-4383	1	Shaft-Spring	47	104-8301	1	Nut-HF, NI



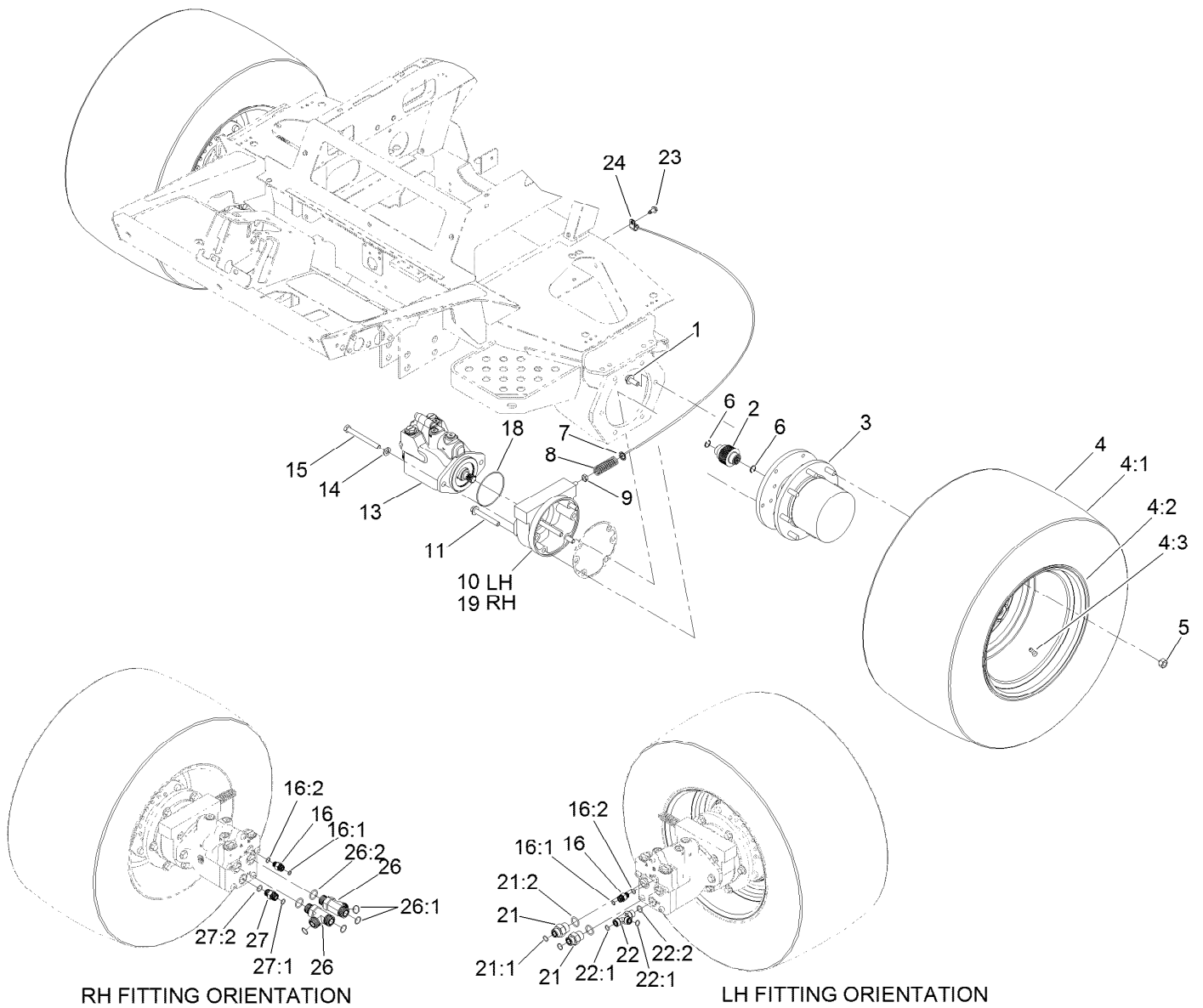
Hood Assembly

Ref.	Part Number	Qty.	Description	Ref.	Part Number	Qty.	Description
1	115-4362	1	Screen ASM	20	114-8108-03	1	Tube-RH
1:2	93-6028	1	Plate-Logo	21	114-8109-03	1	Tube-LH
1:3	138-6996	4	Nut-Push	22	121-3136-0P	1	Tube ASM R.H. [primed]
1:4	114-8117	1	Latch-Adjustable	23	114-8102-0P	1	Tube ASM
1:5	3269-3	2	Rivet-Pop	24	121-3133-0P	1	Tube-Hood Frame
1:6	115-4358	2	Seal-Bulb	25	94-5781	25	Screw-HHF
1:7	115-4359	2	Seal-Bulb	26	104-7201	26	Nut-HF, NI
2	115-4357	1	Latch-Keeper	27	3290-55	4	Rivet-Pop
3	3269-3	2	Rivet-Pop	28	59-9740	2	Flex Draw Latch ASM
4	125-4576	1	Hood ASM	28:2	249-40	1	Keeper
5	117-2382	20	Plug-Plastic	29	105-9877	2	Decal
6	114-4192-03	1	Screen-Hood	30	139-6028	2	Decal-Logo, Toro
9	3290-467	2	Pin-Hair	31	106-6754	2	Decal-Danger
10	120-8020-03	1	Bumper-Rear	32	249-40	2	Keeper
11	121-1594	2	Decal-Smart Power	33	3269-17	4	Rivet-Pop
12	240-14	2	Bumper-Rubber	34	3269-10	4	Washer-Back
13	32128-33	2	Nut-HF	35	98-1629	2	Washer
15	3256-26	2	Washer-Flat	37	115-5103	1	Screw-HHF
17	3296-23	4	Nut-Lock, NI	99	119-2004	1	CE Latch Kit
18	325-6	2	Screw-HH	99:2	107-0333	2	Rivet-Pop
19	325-33	2	Screw-HH	99:3	322-10	1	Screw-HH



Hood Assembly (continued)

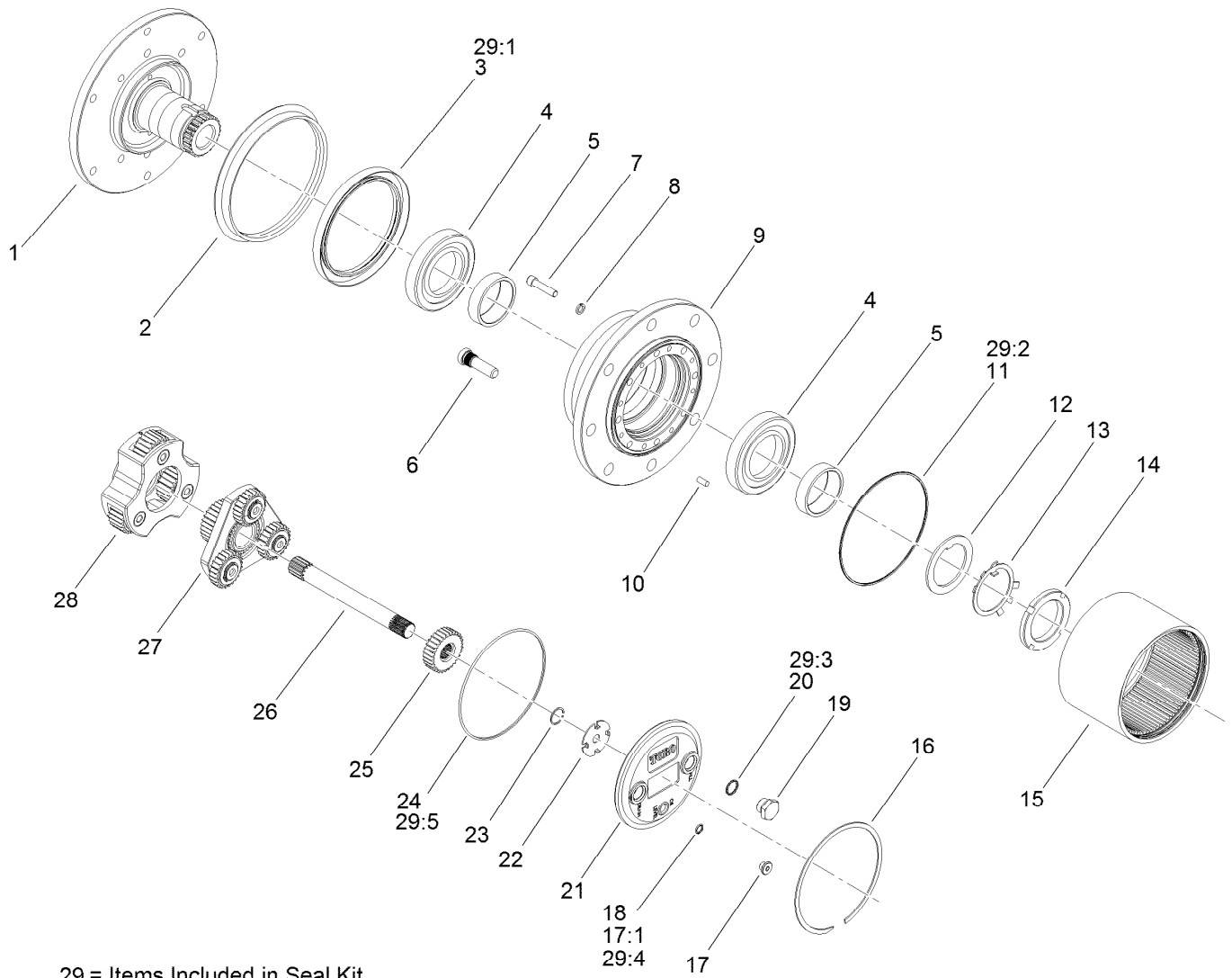
<i>Ref.</i>	<i>Part Number</i>	<i>Qty.</i>	<i>Description</i>
99:4	3296-47	1	Nut-Lock,NI
99:5	3269-10	2	Washer-Back



Front Wheel Drive Assembly

Ref.	Part Number	Qty.	Description	Ref.	Part Number	Qty.	Description
1	33106-030	12	Screw-HHF	16:1	237-22	1	O-Ring
2	100-3046	2	Shaft-Brake, Splined	16:2	237-42	1	O-Ring
3	136-2913	2	Planetary ASM	18	237-166	2	O-Ring
4		2	Tire And Wheel ASM ●	19	100-3069	1	RH Brake ASM
4:1	119-0023	1	Tire	21	340-8	2	Fitting-Straight
4:2	119-0024	1	Wheel	21:1	237-65	1	O-Ring
4:3	232-24	1	Stem-Valve	21:2	237-81	1	O-Ring
5	92-7483	16	Nut-Lug	22	340-109	1	Fitting-Tee
6	93-7972	4	Ring-Retaining, Internal	22:1	237-79	1	O-Ring
7	94-3050	2	Plate-Spring	22:2	237-30	2	O-Ring
8	94-3088	2	Spring-Compression	23	32104-32	2	Screw-HWH
9	3218-4	2	Nut-Jam	24	2412-93	2	Clamp-R
10	100-3070	1	LH Brake ASM	26	340-148	2	Fitting-Tee
11	33106-080	8	Screw-HHF	26:1	237-81	1	O-Ring
13	136-2939	2	Motor-Piston, Front	26:2	237-58	2	O-Ring
14	106-9888	4	Washer-Flat	27	340-4	1	Fitting-Straight
15	33116-110	4	Screw-HH	27:1	237-30	1	O-Ring
16	340-2	2	Fitting-Straight	27:2	237-79	1	O-Ring

● Not serviced separately

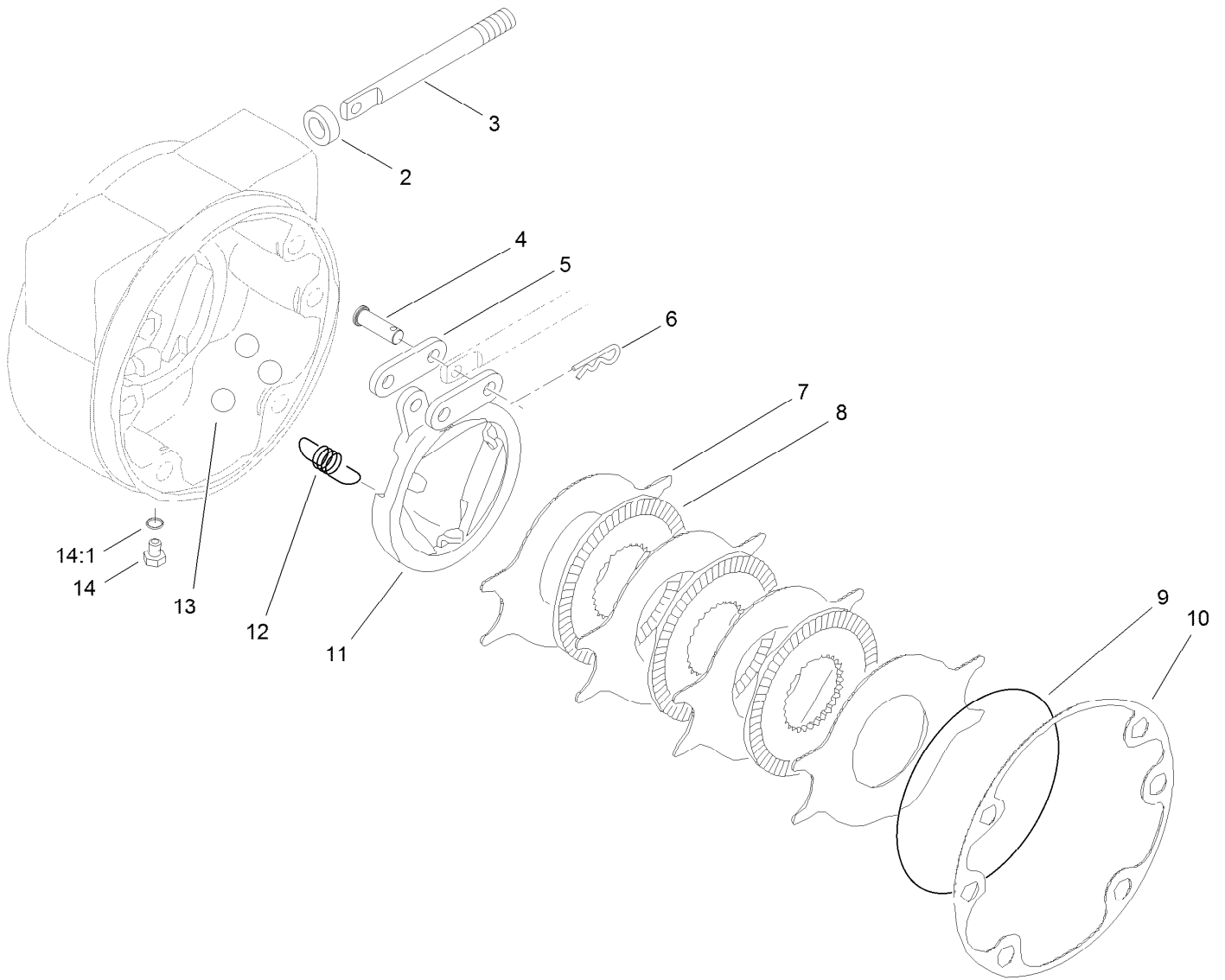


29 = Items Included in Seal Kit

Planetary Assembly No. 136-2913

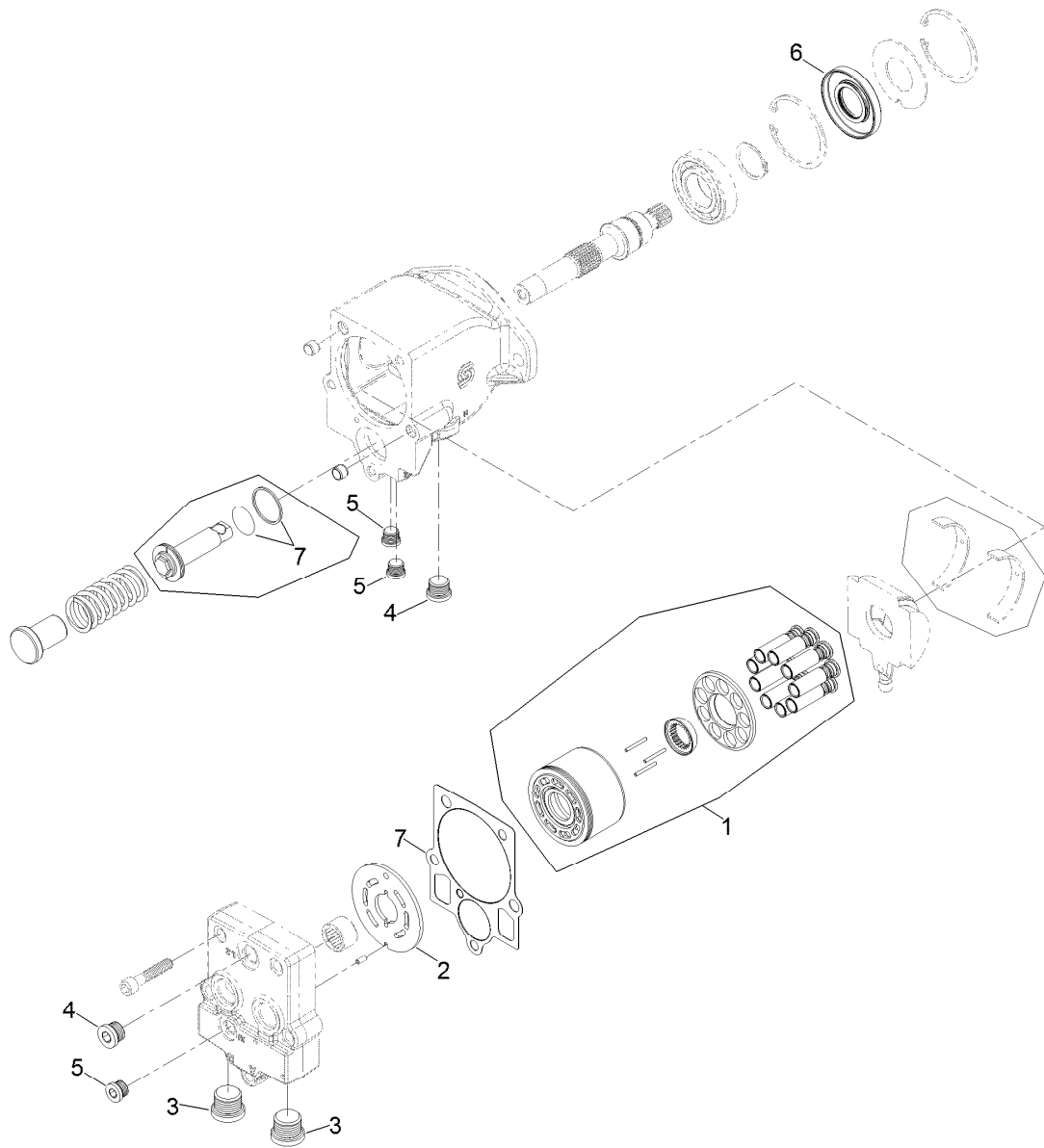
Ref.	Part Number	Qty.	Description	Ref.	Part Number	Qty.	Description
1		1	Spindle ●	18	237-78	1	O-Ring
2	138-1204	1	Seal-Boot	19	138-1211	2	Plug-Flange, Magnetic
3		1	Seal-Lip ●	20	138-1212	2	O-Ring
4	138-1205	2	Bearing-Cup	21	138-1213	1	Cap-End
5	138-1206	2	Bearing-Cone	22	138-1214	1	Washer-Thrust, Sun
6	105-8124	8	Stud-Wheel	23	105-8131	2	Ring-Retaining
7	138-1207	8	Screw-Socket Head	24		1	O-Ring ●
8	138-1208	8	Washer-Lock	25	138-1215	1	Gear-Primary, Sun
9		1	Housing ●	26	138-1216	1	Shaft-Drive
10	105-8121	4	Pin-Dowel	27	138-1217	1	Primary Carrier ASM
11		1	O-Ring ●	28	138-1218	1	Secondary Carrier ASM
12	138-6928	1	Spacer	29	138-1219	1	Seal Kit
13	138-6929	1	Washer	29:1		1	Seal-Lip ●
14	138-6930	1	Nut-Lock	29:2		1	O-Ring ●
15	138-1209	1	Gear-Ring	29:3		1	O-Ring ●
16	138-1210	1	Ring-Snap	29:4		1	O-Ring ●
17	353-990	1	Plug ASM	29:5		1	O-Ring ●
17:1	237-78	1	O-Ring				

● Not serviced separately



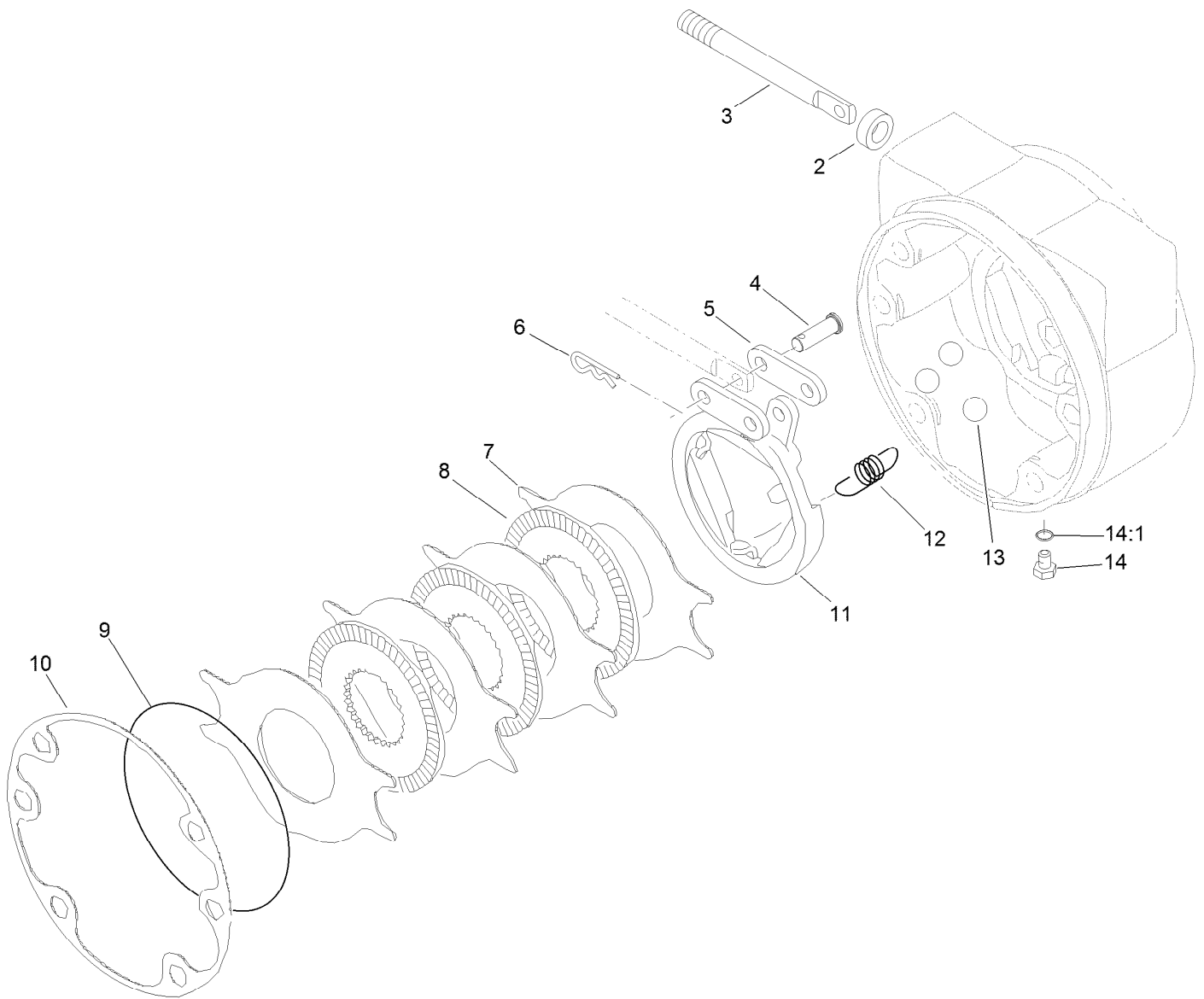
LH Brake Assembly No. 100-3070

<i>Ref.</i>	<i>Part Number</i>	<i>Qty.</i>	<i>Description</i>
2	93-7977	1	Seal
3	93-7978	1	Rod-Pull
4	93-7983	2	Pin-Clevis
5	93-7980	2	Link
6	93-7979	2	Pin-Hitch
7	93-7986	4	Disc-Stationary
8	104-4278	3	Disc-Rotating
9	93-7976	1	Ring-Retaining
10	93-7984	1	Gasket
11	104-4279	1	Actuator-Rotating
12	93-7987	3	Spring-Extension
13	93-7985	3	Ball
14	353-990	2	Plug ASM
14:1	237-78	1	O-Ring



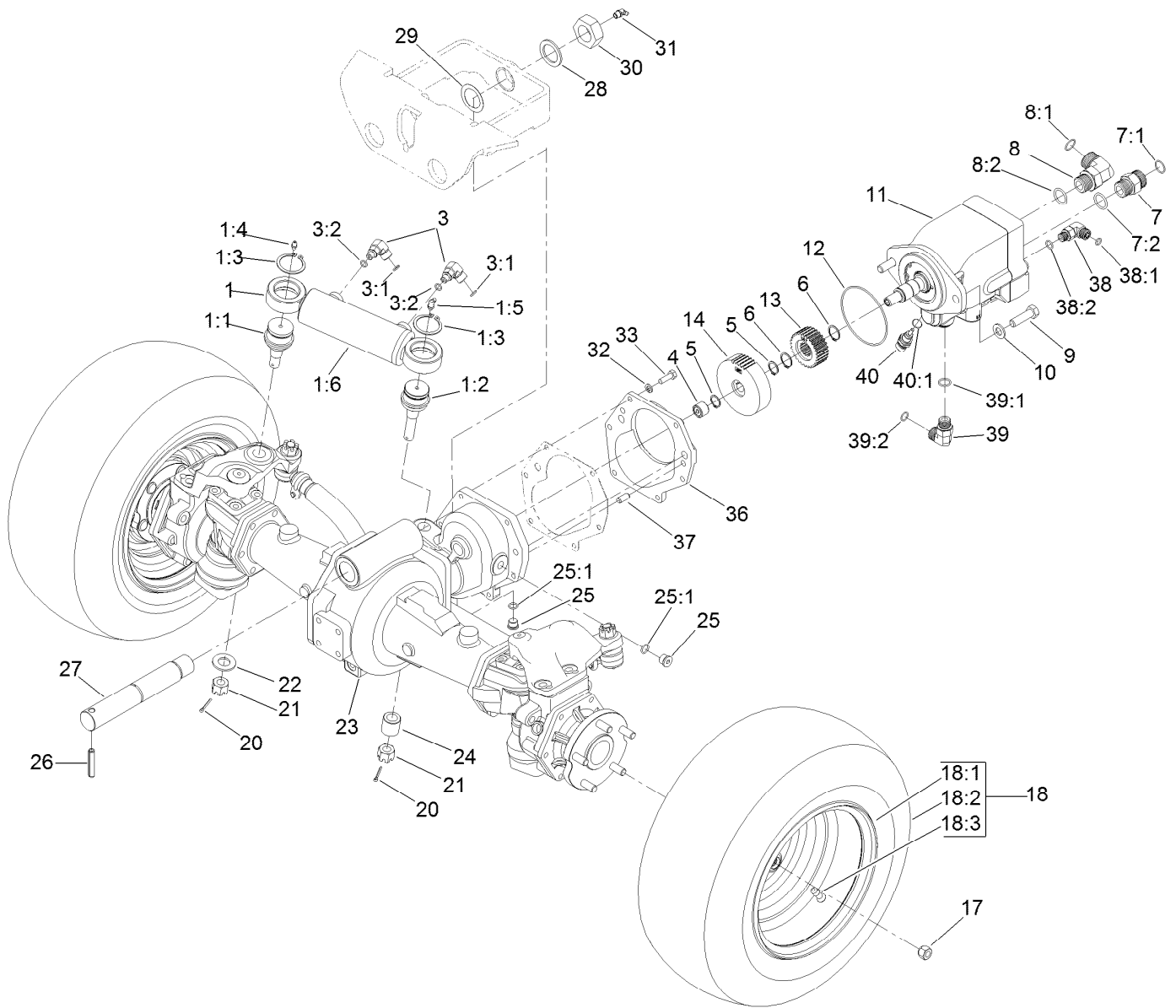
Piston Motor Assembly No. 136-2939

<i>Ref.</i>	<i>Part Number</i>	<i>Qty.</i>	<i>Description</i>
1	121-1735	1	Cylinder Block Kit
2	121-1734	1	Plate-Valve
3	69-3130	2	Plug
4	67-9090	2	Plug
5	69-3080	3	Plug
6	127-6214	1	Seal-Lip
7	138-7823	1	Overhaul Seal Kit



RH Brake Assembly No. 100-3069

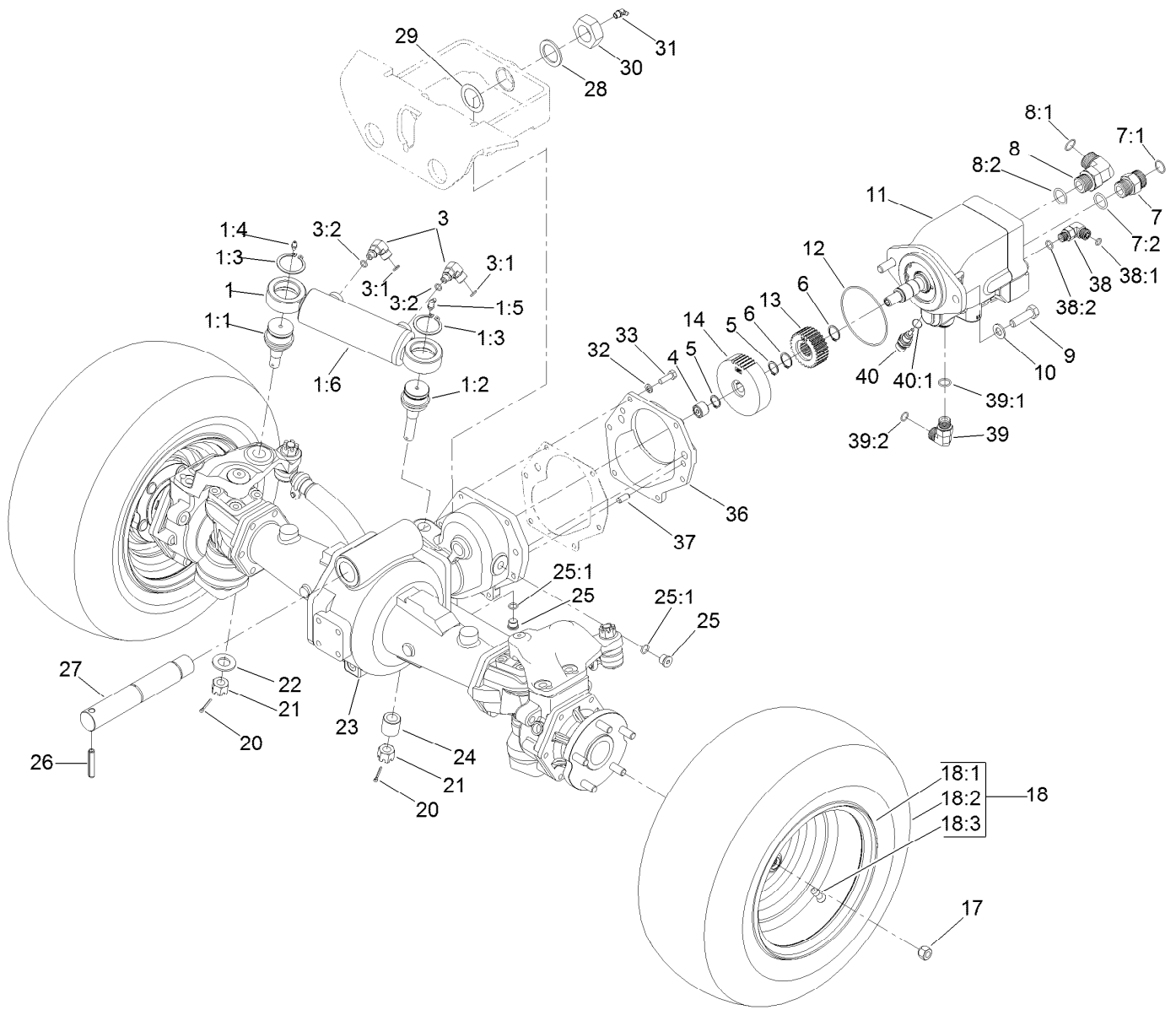
<i>Ref.</i>	<i>Part Number</i>	<i>Qty.</i>	<i>Description</i>
2	93-7977	1	Seal
3	93-7978	1	Rod-Pull
4	93-7983	2	Pin-Clevis
5	93-7980	2	Link
6	93-7979	2	Pin-Hitch
7	93-7986	4	Disc-Stationary
8	104-4278	3	Disc-Rotating
9	93-7976	1	Ring-Retaining
10	93-7984	1	Gasket
11	104-4280	1	Actuator-Rotating
12	93-7987	3	Spring-Extension
13	93-7985	3	Ball
14	353-990	2	Plug ASM
14:1	237-78	1	O-Ring



Rear Axle Assembly

Ref.	Part Number	Qty.	Description	Ref.	Part Number	Qty.	Description
1	105-9861	1	Steering Cylinder ASM	8:1	237-58	1	O-Ring
1:1	106-6774	1	Joint-Ball	8:2	237-81	1	O-Ring
1:2	100-3795	1	Joint-Ball	9	325-7	2	Screw-HH
1:3	32151-104	2	Ring-Retaining, External	10	106-9888	2	Washer-Flat
1:4	302-5	1	Fitting-Grease	11	136-2938	1	Motor-Piston, Rear
1:5	302-60	1	Fitting-Grease	12	237-166	1	O-Ring
1:6	127-6431	1	Hydraulic Steer Cylinder ASM	13	104-5663	1	Pinion-28T
3	340-97	2	Fitting-Elbow, 90 DEG	14	104-5664	1	Gear-44T
3:1	237-22	1	O-Ring	17	93-5268	10	Nut-Lug
3:2	237-78	1	O-Ring	18		2	Rim And Tire ASM ●
4	74-5700	1	Bearing-Needle, Roller	18:1	115-1573	1	Rim
5	32120-15	2	Ring-Snap, EXT	18:2	115-1572	1	Tire
6	32120-76	2	Ring-Snap, EXT	18:3	232-27	1	Stem-Valve
7	340-9	1	Fitting-STR	20	3272-11	2	Pin-Cotter
7:1	237-58	1	O-Ring	21	32136-14	2	Nut-Hst
7:2	237-81	1	O-Ring	22	92-5836	1	Washer
8	340-142	1	Fitting-Elbow, 90 DEG	23	110-4750	1	Drive Axle ASM
				24	100-3796	1	Spacer-Joint, Ball

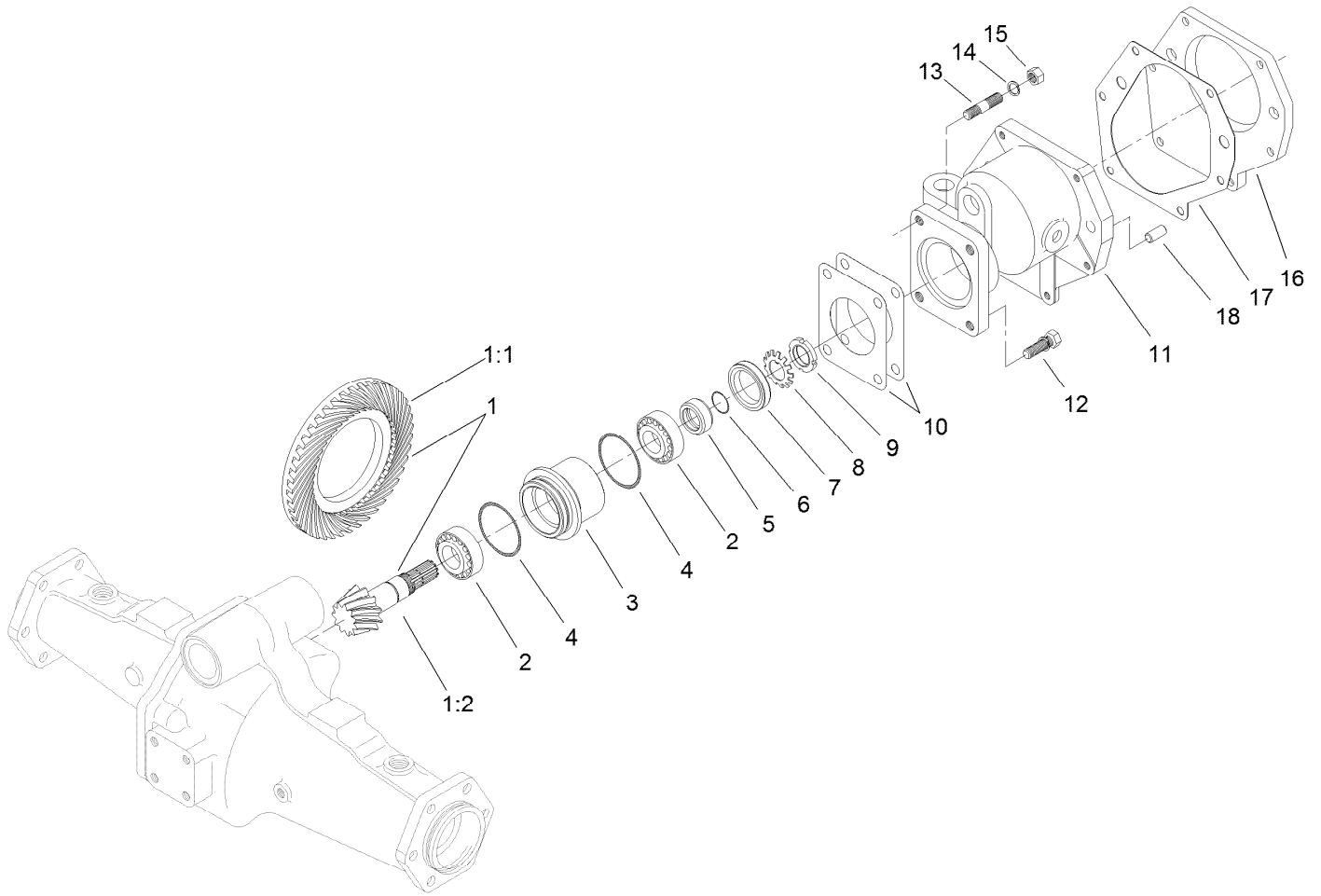
● Not serviced separately



Rear Axle Assembly (continued)

Ref.	Part Number	Qty.	Description	Ref.	Part Number	Qty.	Description
25	353-989	2	Plug-Hex, Hollow	36	95-7541	1	Plate-Cover
25:1	237-42	1	O-Ring	37	104-2353	2	Pin-Dowel
26	32121-110	1	Pin-Roll, Slotted	38	340-77	1	Fitting-Elbow, 90 DEG
27	115-9142	1	Pin-Rear Axle	38:1	237-22	1	O-Ring
28	92-1765	1	Washer-Thrust	38:2	237-42	1	O-Ring
29	98-3867	2	Washer-Thrust	39	340-98	1	Fitting-Elbow, 90 DEG
30	3296-68	1	Nut-Lock, NI	39:1	237-79	1	O-Ring
31	302-33	1	Fitting-Grease	39:2	237-30	1	O-Ring
32	3253-4	6	Washer-Lock	40	110-8829	1	Sender-Temperature
33	33114-025	6	Screw-HH	40:1	237-42	1	O-Ring

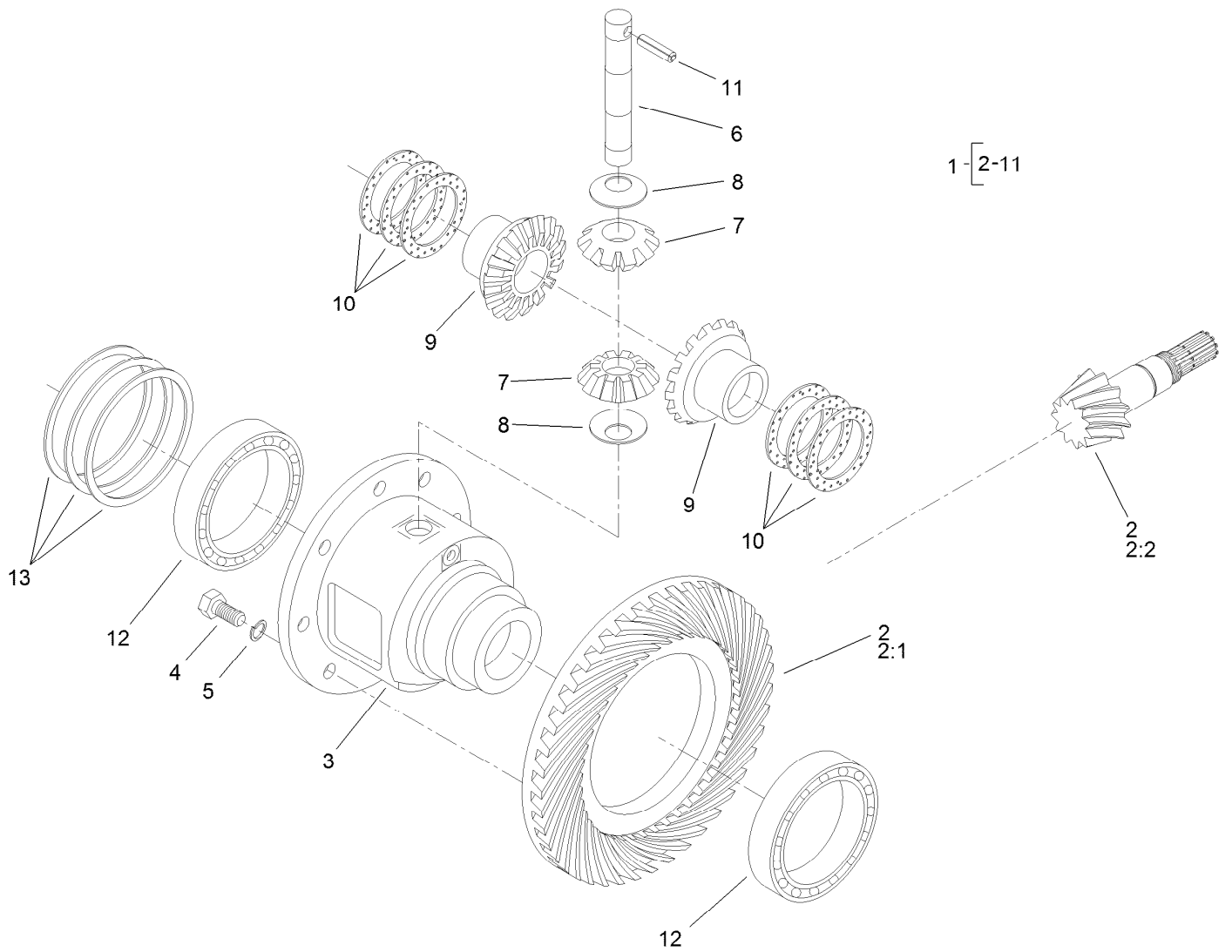
● Not serviced separately



Bevel Pinion Shaft Assembly Rear Axle Assembly No. 110-4750

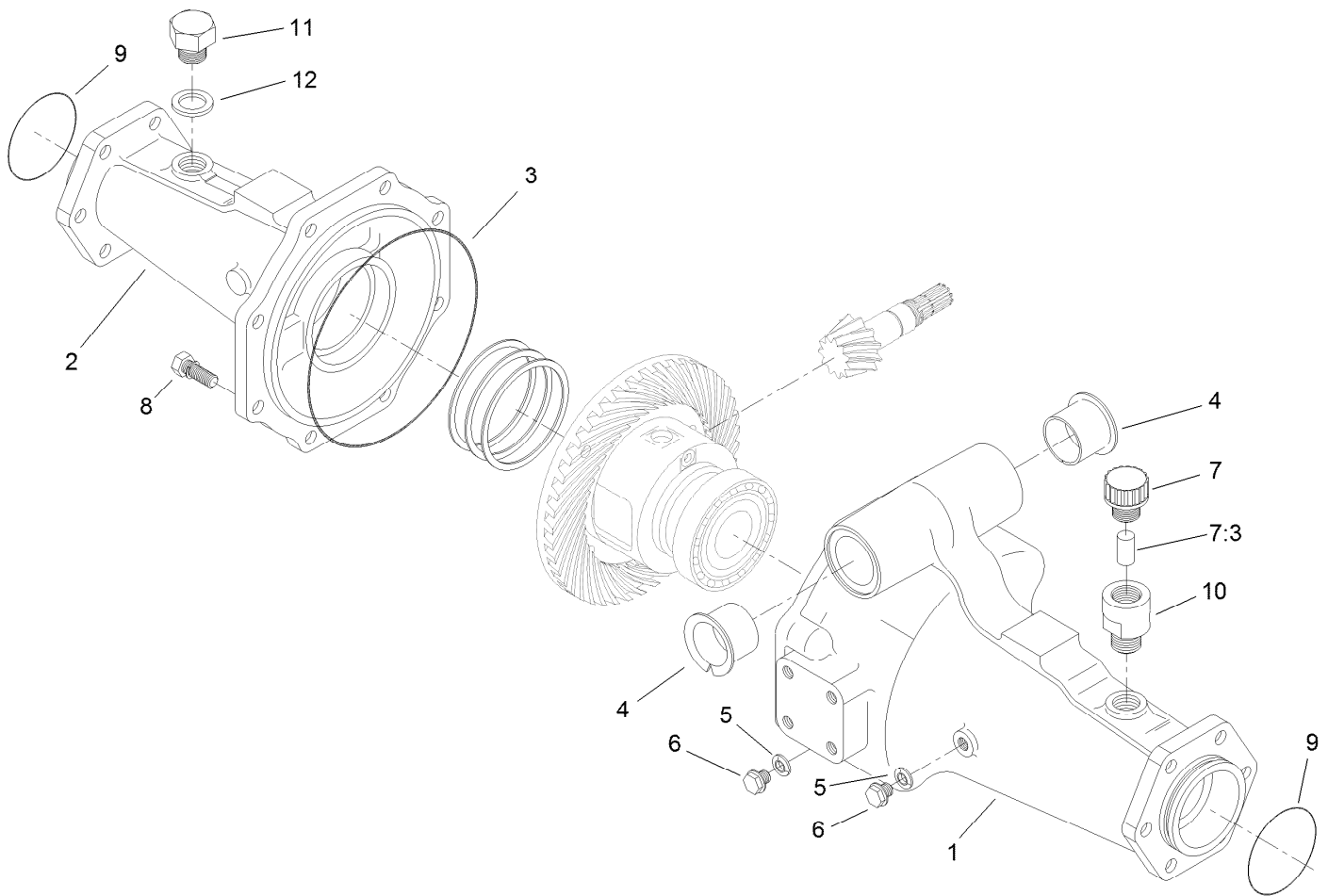
<i>Ref.</i>	<i>Part Number</i>	<i>Qty.</i>	<i>Description</i>
1	106-1093	1	Ring And Pinion Set
1:1	95-7504	1	Gear-43 Tooth, Bevel Spiral
1:2	106-1092	1	Pinion-Spiral, Bevel
2	99-7570	2	Bearing-Roller, Taper
3	95-7534	1	Case-Bearing
4	106-1065	2	O-Ring
5	99-7572	1	Collar-Seal, Oil
6	106-1066	1	O-Ring
7	99-7574	1	Seal-Oil
8	99-7559	1	Washer-Lock
9	99-7560	1	Nut-Lock

<i>Ref.</i>	<i>Part Number</i>	<i>Qty.</i>	<i>Description</i>
10	99-7550	2	Shim 0.1
10	99-7551	2	Shim 0.2
11	95-7533	1	Case-Gear
12	99-7575	2	Bolt
13	98-7735	2	Stud
14	99-7527	2	Washer-Spring
15	99-7526	2	Nut
16	95-7541	1	Plate-Cover
17	106-1140	1	Gasket
18	104-2353	2	Pin-Dowel



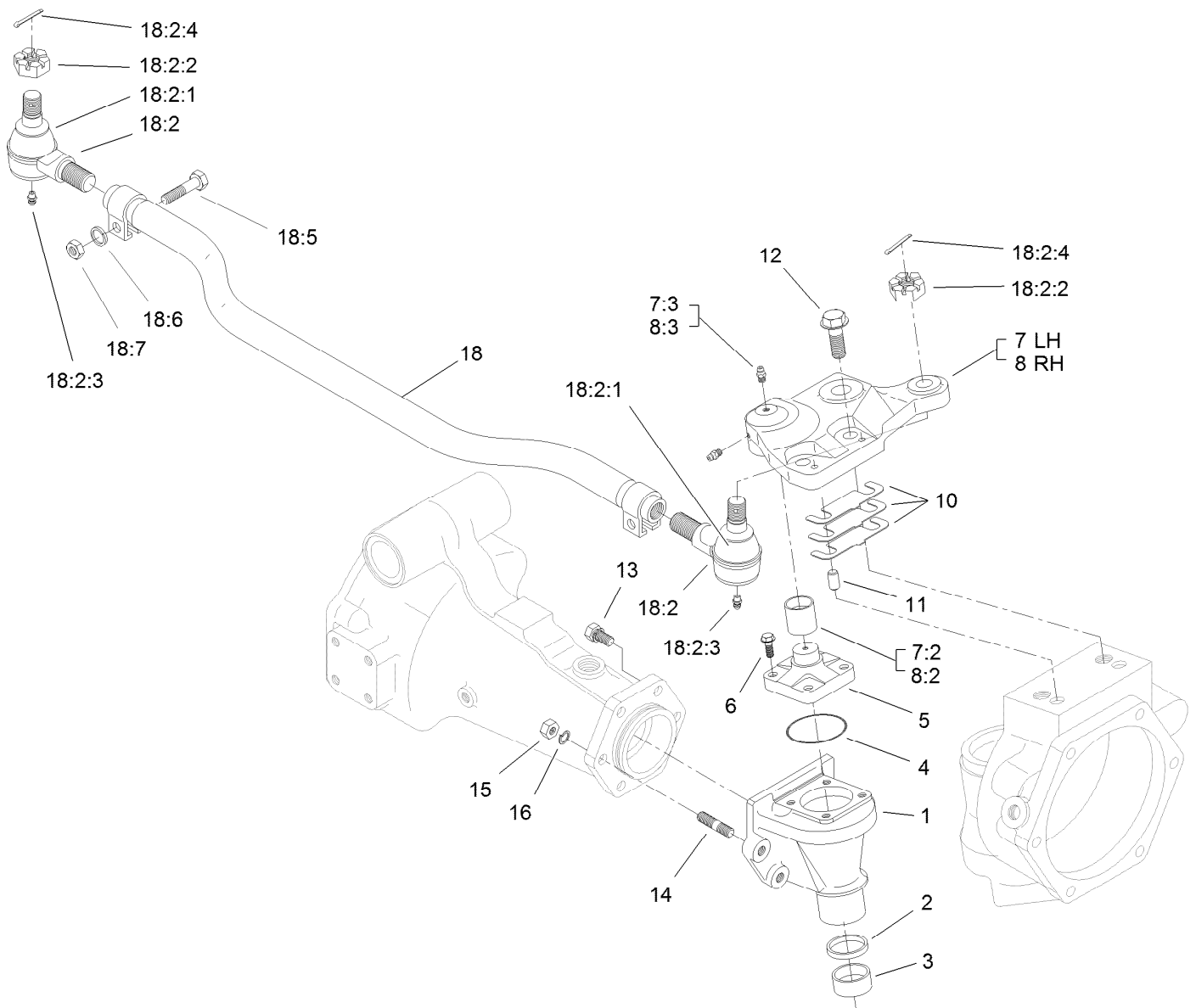
Differential Assembly Rear Axle Assembly No. 110-4750

<i>Ref.</i>	<i>Part Number</i>	<i>Qty.</i>	<i>Description</i>	<i>Ref.</i>	<i>Part Number</i>	<i>Qty.</i>	<i>Description</i>
1	95-7503	1	Differential ASM	9	99-7581	2	Gear-Differential
2	106-1093	1	Ring And Pinion Set	10	99-7582	2	Washer-Differential
2:1	95-7504	1	Gear-43 Tooth, Bevel Spiral	10	99-7583	2	Washer-Differential
2:2	106-1092	1	Pinion-Spiral, Bevel	10	99-7584	2	Washer-Differential
3	95-7502	1	Case-Differential	11	99-7588	1	Pin-Spring
4	99-7576	8	Bolt	12	99-7562	2	Bearing-Ball
5	3253-4	8	Washer-Lock	13	99-7585	2	Shim 0.1
6	99-7578	1	Shaft-Differential	13	99-7586	2	Shim 0.2
7	99-7579	2	Pinion-Differential	13	99-7587	2	Shim 0.4
8	99-7580	2	Washer-Differential				



Axle Support Assembly Rear Axle Assembly No. 110-4750

<i>Ref.</i>	<i>Part Number</i>	<i>Qty.</i>	<i>Description</i>
1	95-7508	1	Support-Axle
2	95-7506	1	Support-Axle
3	106-1067	1	O-Ring
4	95-7537	2	Bushing-Flanged
5	99-7590	2	Washer-Seal
6	99-7589	2	Plug
7	110-4812	1	Axle Vent ASM
7:3	110-4815	1	Insert-Filter, Foam
8	99-7592	8	Bolt
9	106-1068	2	O-Ring
10	104-2377	1	Extension-Vent
11	104-8643	1	Plug
12	104-8644	1	O-Ring



Bevel Gear Case Assembly Rear Axle Assembly No. 110-4750

Ref.	Part Number	Qty.	Description	Ref.	Part Number	Qty.	Description
1	110-4752	2	Case-Gear, Bevel	12	104-2375	4	Bolt
2	110-4754	2	Seal-Oil	13	99-7599	8	Bolt
3	104-2378	2	Bushing	14	99-7525	4	Stud
4	106-1069	2	O-Ring	15	99-7526	4	Nut
5	104-2373	2	Knuckle	16	99-7527	4	Washer-Spring
6	104-2374	8	Bolt	18	106-1141	1	Steering Tie Rod ASM
7	100-3768	1	LH Steering Arm ASM	18:2	106-1113	2	Tie Rod End ASM - RH Thread
7:2	104-8634	1	Bushing	18:2:1	100-3853	1	Cover-Dust
7:3	106-1104	2	Fitting-Grease	18:2:2	100-3854	1	Nut-Castle
8	100-3766	1	RH Steering Arm ASM	18:2:3	110-4755	1	Fitting-Grease
8:2	104-8634	1	Bushing	18:2:4	3272-11	1	Pin-Cotter
8:3	106-1104	2	Fitting-Grease	18:5	100-3855	2	Bolt
10	95-7547	2	Shim 0.1	18:6	99-7527	2	Washer-Spring
10	95-7548	2	Shim 0.2	18:7	99-7526	2	Nut
10	95-7549	2	Shim 0.3				
11	99-7597	4	Pin-Dowel				



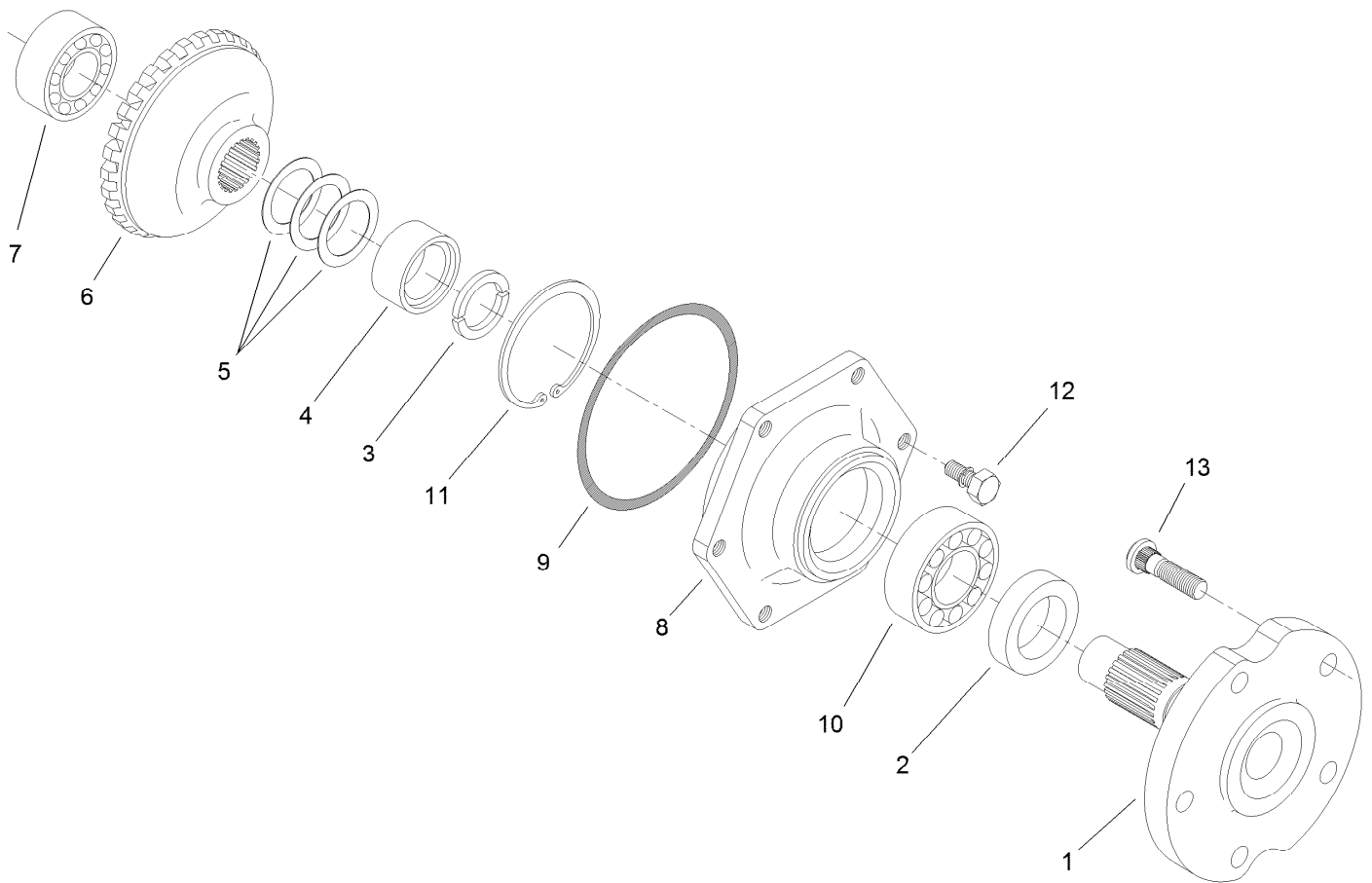
Bevel Gear Shaft Assembly Rear Axle Assembly No. 110-4750

<i>Ref.</i>	<i>Part Number</i>	<i>Qty.</i>	<i>Description</i>
1	95-7509	1	Shaft-Gear, Differential
2	95-7512	1	Shaft-Gear, Differential
3	95-7517	2	Gear-Bevel, 15 Tooth
4	99-7530	4	Bearing-Ball
5	99-7552	2	Shim 0.1
5	99-7553	2	Shim 0.2
5	99-7554	2	Shim 0.5
6	99-7531	2	Clip
7	110-4753	2	Shaft-Gear, Bevel
8	95-7519	2	Gear-Bevel, 17 Tooth
9	99-7532	2	Bearing-Roller, Taper
10	99-7558	2	Collar



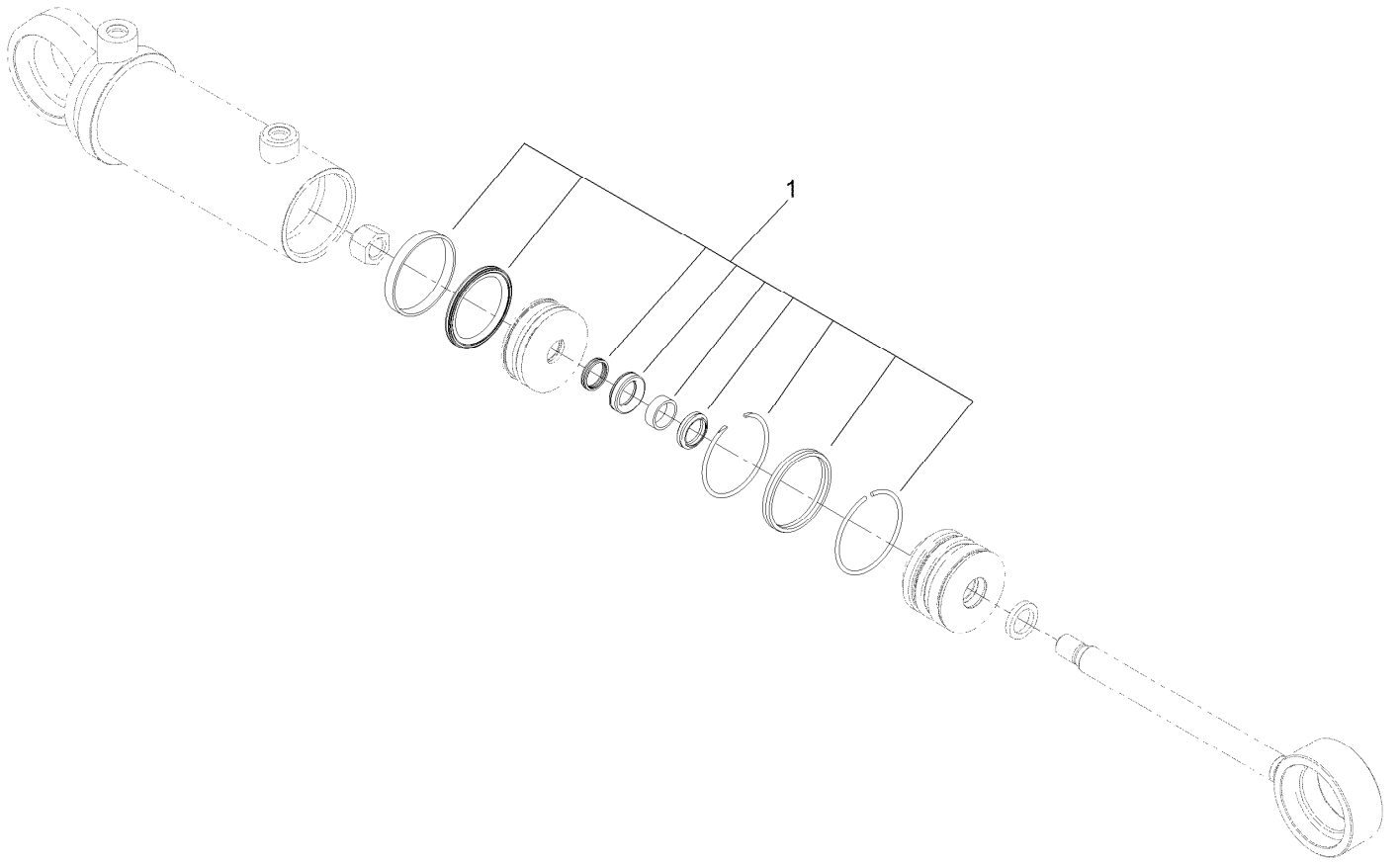
Axle Case Assembly Rear Axle Assembly No. 110-4750

<i>Ref.</i>	<i>Part Number</i>	<i>Qty.</i>	<i>Description</i>
1	110-4751	2	Case-Axle
2	99-7535	2	Plug
3	99-7536	2	Washer-Seal
4	95-7527	2	Gear-Bevel, 17 Tooth
5	99-7532	2	Bearing-Roller, Taper
6	100-2560	2	Cover
7	106-1070	2	O-Ring
8	99-7589	2	Plug
9	99-7590	2	Washer-Seal
10	100-2562	8	Bolt
11	106-1102	2	Bolt-Stop
12	106-1103	2	Nut



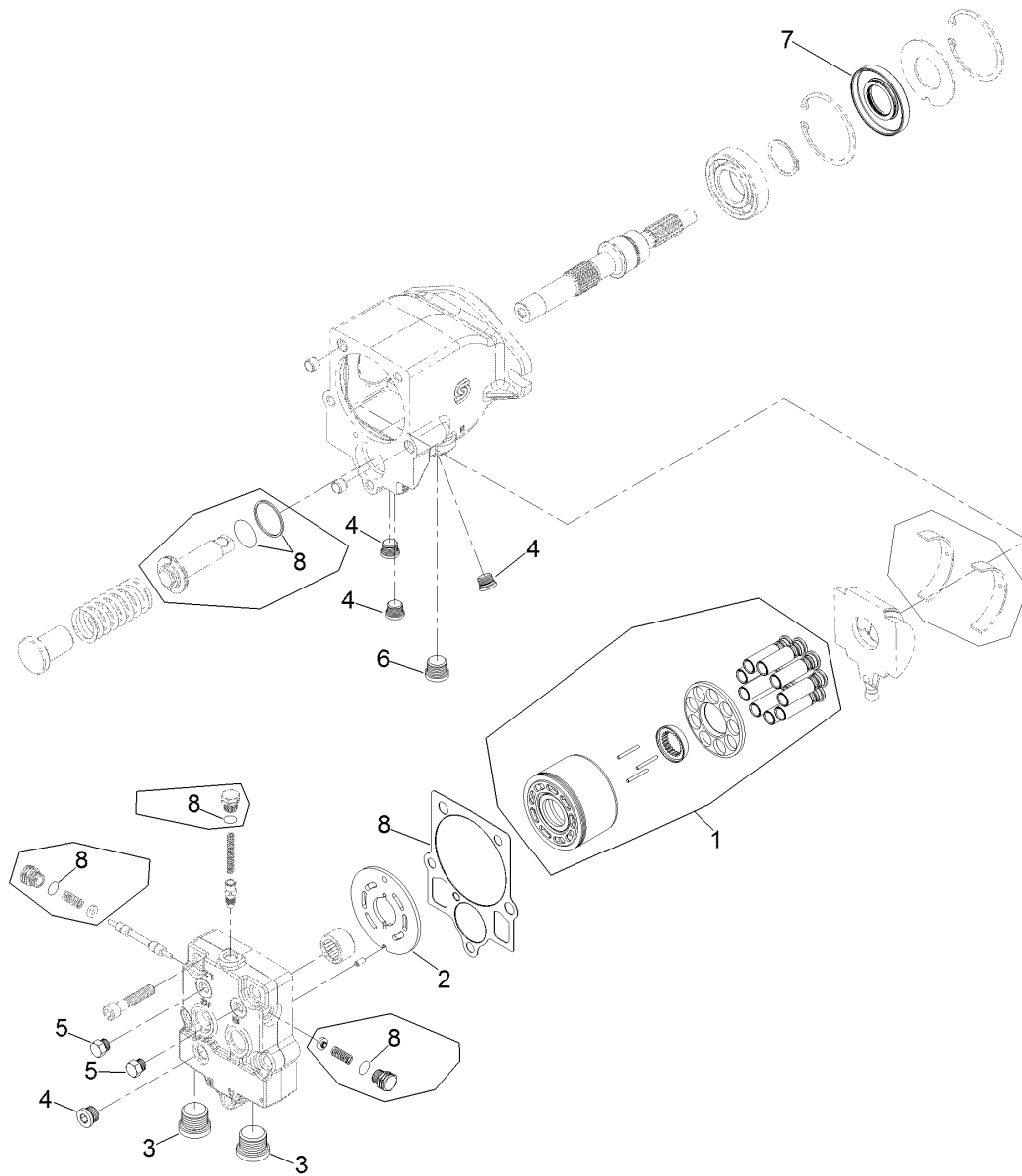
Axle Assembly Rear Axle Assembly No. 110-4750

<i>Ref.</i>	<i>Part Number</i>	<i>Qty.</i>	<i>Description</i>
1	95-7522	2	Axle
2	99-7564	2	Seal-Oil
3	95-7544	4	Clip
4	95-7523	2	Spacer
5	99-7555	2	Shim 0.3
5	99-7556	2	Shim 0.2
5	99-7557	2	Shim 0.5
6	95-7524	2	Gear-Bevel, 29 Tooth
7	99-7534	2	Bearing-Ball
8	95-7521	2	Cover-Axle
9	106-1071	2	O-Ring
10	99-7561	2	Bearing-Ball
11	99-7539	2	Clip
12	99-7596	12	Bolt
13	99-7563	10	Stud



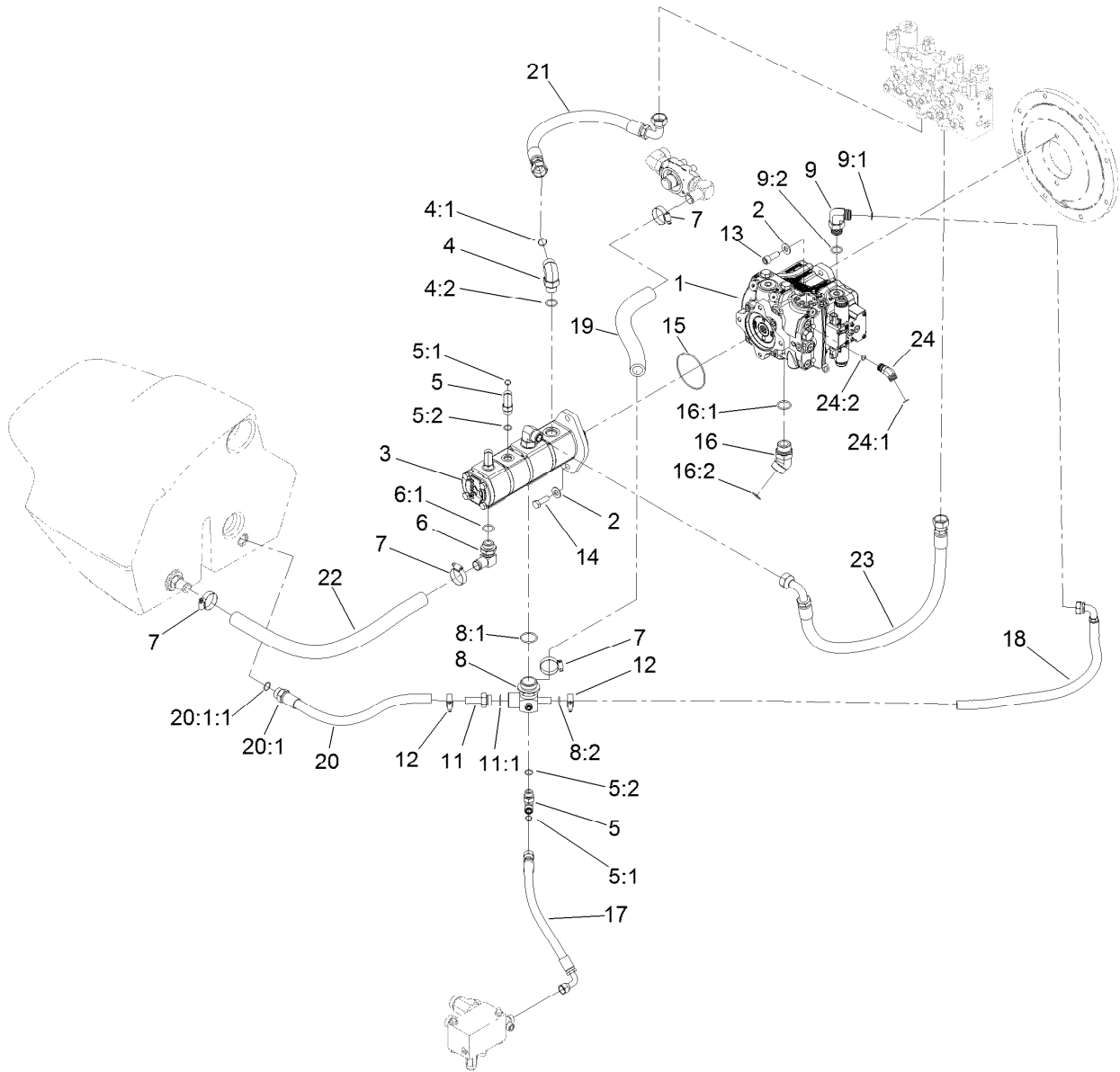
Hydraulic Steer Cylinder Assembly No. 127-6431

<i>Ref.</i>	<i>Part Number</i>	<i>Qty.</i>	<i>Description</i>
1	131-7756	1	Cylinder Seal Kit



Rear Piston Motor No. 136-2938

<i>Ref.</i>	<i>Part Number</i>	<i>Qty.</i>	<i>Description</i>
1	125-4639	1	Cylinder Block Kit
2	136-3314	1	Plate-Valve
3	69-3130	2	Plug
4	69-3080	4	Plug
5	92-1352	2	Plug
6	67-9090	1	Plug
7	127-6214	1	Seal-Lip
8	138-7823	1	Overhaul Seal Kit

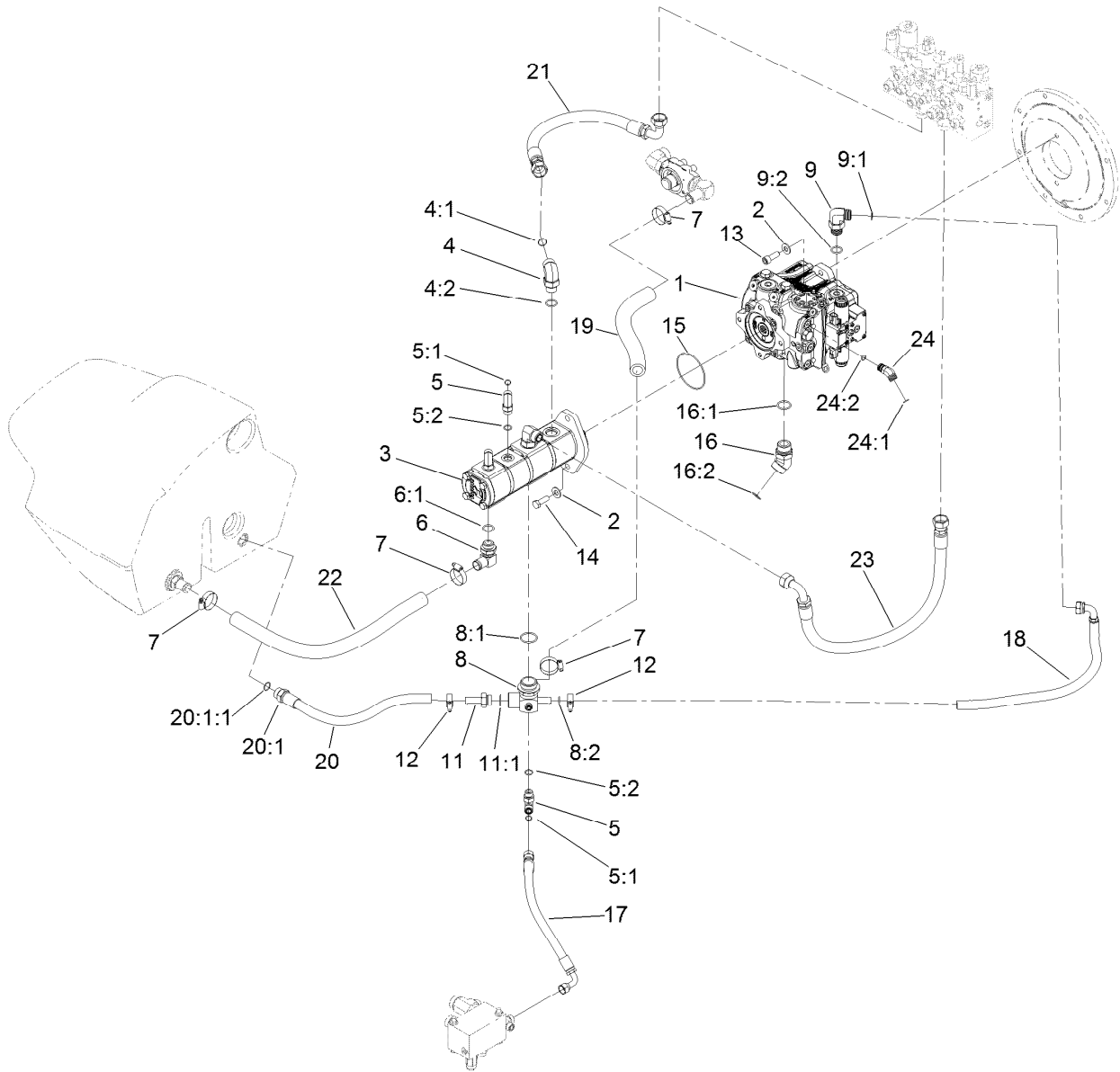


Hydraulic System Assembly

Ref.	Part Number	Qty.	Description
1	136-2940	1	Pump-Piston, 45Cc
2	137-5550	4	Washer-Thrust
3	114-4189	1	4-Section Pump ASM
4	340-142	2	Fitting-Elbow, 90 DEG
4:1	237-58	1	O-Ring
4:2	237-81	1	O-Ring
5	340-98	3	Fitting-Elbow, 90 DEG
5:1	237-79	1	O-Ring
5:2	237-30	1	O-Ring
6	100-4202	1	Fitting-90
6:1	237-81	1	O-Ring
7	2412-111	4	Clamp-Hose, W/Liner
8	120-8016	1	Fitting-Tee
8:1	237-101	1	O-Ring
8:2	237-22	1	O-Ring
9	340-139	1	Fitting-Elbow 90
9:1	237-81	1	O-Ring
9:2	237-65	1	O-Ring

Ref.	Part Number	Qty.	Description
11	121-1526	1	Fitting-STR
11:1	237-81	1	O-Ring
12	2412-129	2	Clamp-Hose
13	131-0661	2	Screw-HSH
14	121-1525	2	Screw-HH
15	107-9447	1	O-Ring
16	104-3509	2	Fitting-HYD, 45 DEG
16:1	237-146	1	O-Ring
16:2	340-65	1	O-Ring
17	125-4616	1	Hose ASM
18	136-2926	1	Hose ASM
19	121-3062	1	Hose-Suction
20	121-3079	1	Hose ASM
20:1		1	Fitting-Straight ●
20:1:1	237-81	1	O-Ring
21	105-3874	1	Hose ASM
22	125-4568	1	Hose-Suction
23	115-4384	1	Hose-HYD

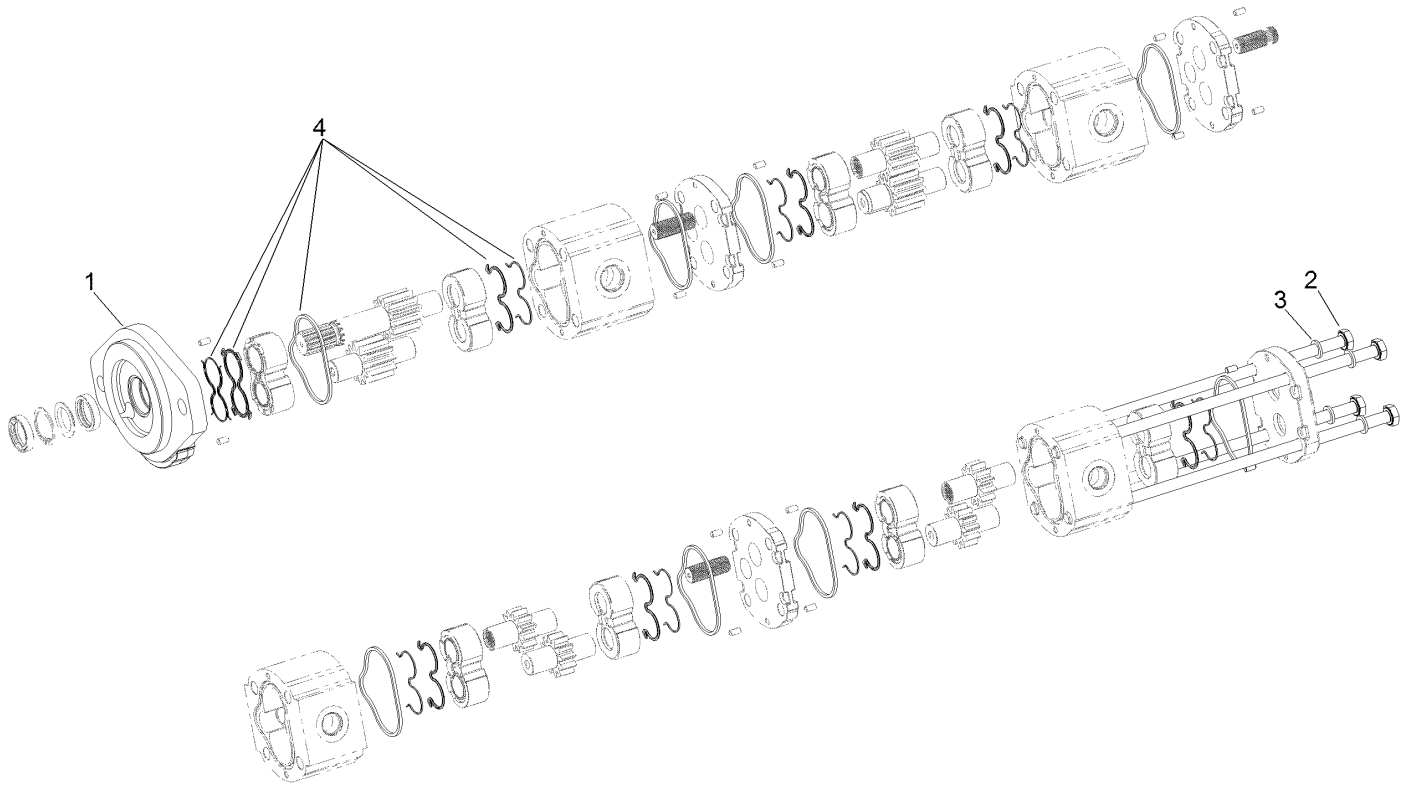
● Not serviced separately



Hydraulic System Assembly (continued)

<i>Ref.</i>	<i>Part Number</i>	<i>Qty.</i>	<i>Description</i>	<i>Ref.</i>	<i>Part Number</i>	<i>Qty.</i>	<i>Description</i>
24	340-96	1	Adapter	24:1	237-30	1	O-Ring
				24:2	237-42	1	O-Ring

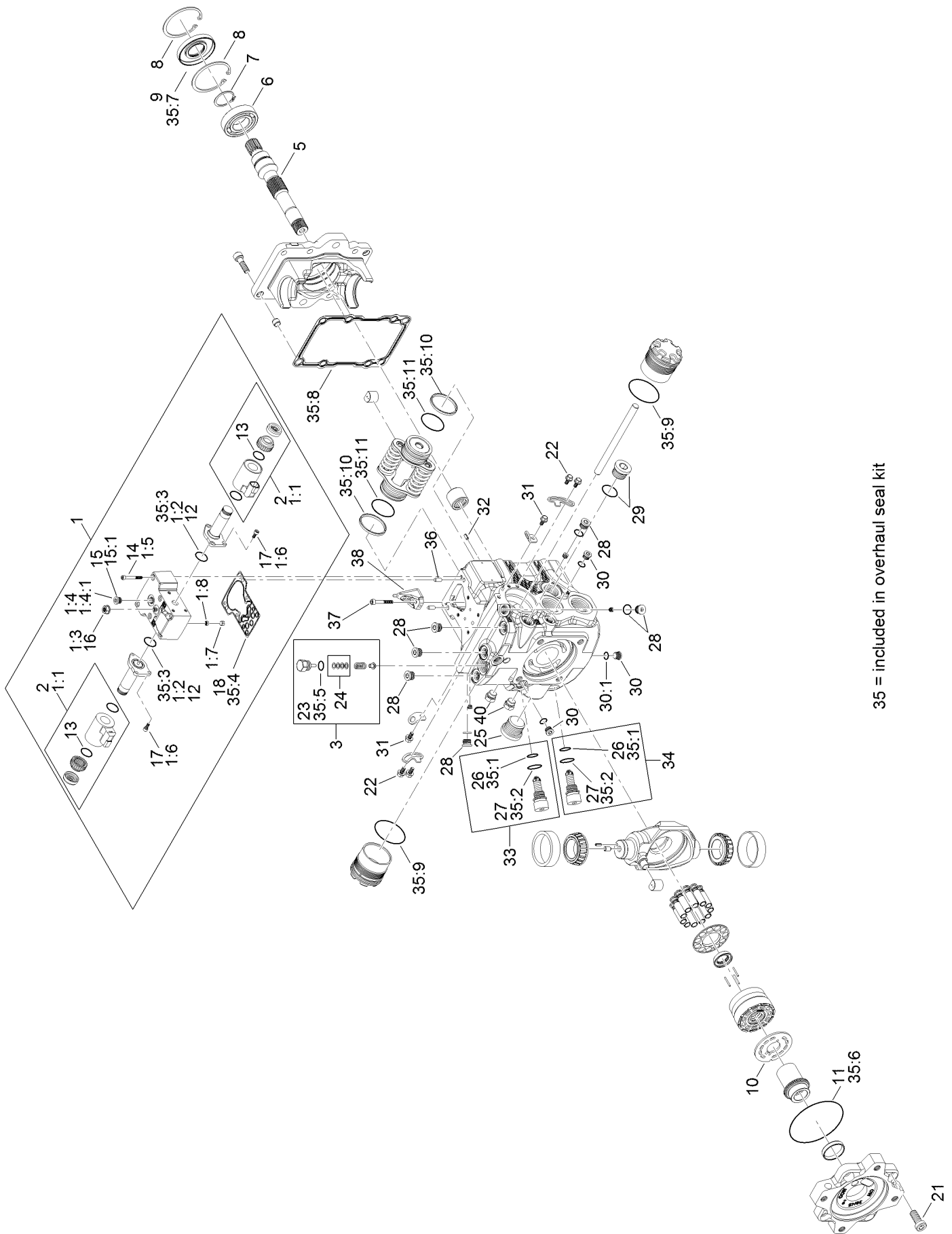
● Not serviced separately



Four Section Pump Assembly No. 114-4189

<i>Ref.</i>	<i>Part Number</i>	<i>Qty.</i>	<i>Description</i>
1	115-3774	1	Cover-Front
2	115-4444	4	Bolt
3	115-9138	4	Washer
4	115-3776	1	Seal Kit

Hydraulic Pump Assembly No. 136-2940



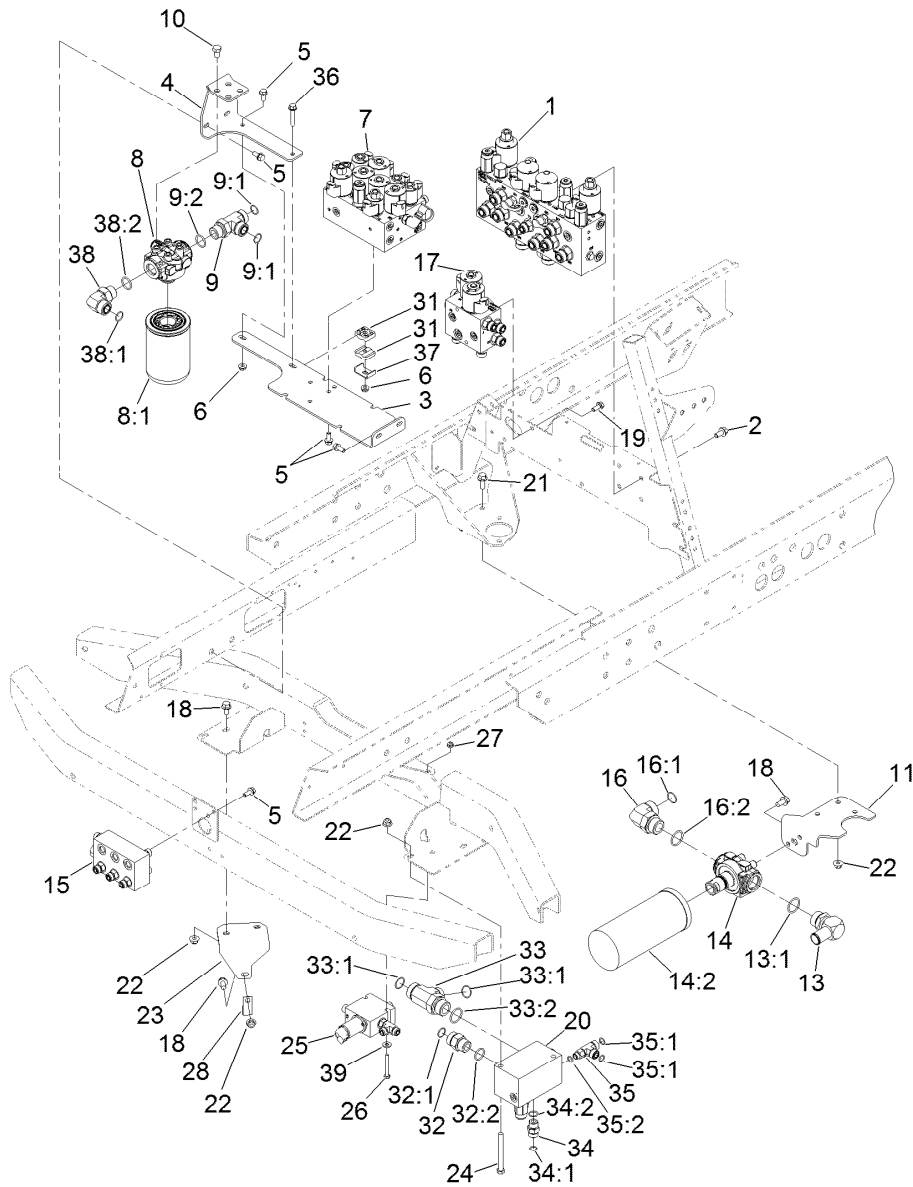
35 = included in overhaul seal kit

Hydraulic Pump Assembly No. 136-2940 (continued)

<i>Ref.</i>	<i>Part Number</i>	<i>Qty.</i>	<i>Description</i>	<i>Ref.</i>	<i>Part Number</i>	<i>Qty.</i>	<i>Description</i>
1	136-3209	1	Control Kit (12 Volt)	24	92-1353	1	Shim Kit
1:1	132-6204	2	Coil Kit	25	125-5301	1	Plug
1:2	125-5288	2	O-Ring	26	75-0240	2	O-Ring
1:3	125-5273	1	Nut-Seal	27	84-0560	2	O-Ring
1:4	75-0170	1	Plug-Thread, Straight	28	69-3080	6	Plug
1:4:1	92-8777	1	O-Ring	29	69-3130	1	Plug
1:5	125-5274	6	Screw	30	75-0170	3	Plug-Thread, Straight
1:6	125-5272	6	Screw	30:1	92-8777	1	O-Ring
1:7	136-3213	1	Gasket-Control	31	125-5270	2	Screw
1:8	136-3218	1	Sensor Kit	32	110-6485	1	Pin-Slotted
2	136-3210	2	Coil Kit	33	136-4393	1	Valve-Relief, High Pressure
3	136-4397	1	Charge Relief Kit	34	136-3214	1	Valve-Relief, High Pressure (360 Bar)
5	136-4399	1	Shaft	35	132-6205	1	Overhaul Seal Kit
6	136-3211	1	Bearing-Ball	35:1	75-0240	2	O-Ring
7	125-5280	1	Ring-Retaining	35:2	84-0560	2	O-Ring
8	131-8616	2	Ring-Retaining	35:3	125-5288	2	O-Ring
9	127-6214	1	Seal-Lip	35:4	125-5283	1	Gasket-Control
10	136-4398	1	Valve Plate	35:5	125-5298	1	O-Ring
11	132-6206	1	O-Ring	35:6	132-6206	1	O-Ring
12	125-5288	2	O-Ring	35:7	127-6214	1	Seal-Lip
13	131-7388	2	O-Ring	35:8		1	Gasket ■
14	125-5274	6	Screw	35:9		2	O-Ring ■
15	75-0170	1	Plug-Thread, Straight	35:10		2	Piston Ring ■
15:1	92-8777	1	O-Ring	35:11		2	O-Ring ■
16	125-5273	1	Nut-Seal	36	136-3215	1	Pin
17	125-5272	6	Screw	37	136-3216	1	Screw, M6 X 35
18	136-3213	1	Gasket-Control	38	136-3217	1	Link - Swashplate Feedback
21	125-5282	4	Screw	39	136-3218	1	Sensor Kit ●
22	125-5270	4	Screw	40	136-3219	2	Plug ASM
23	125-5298	1	O-Ring				

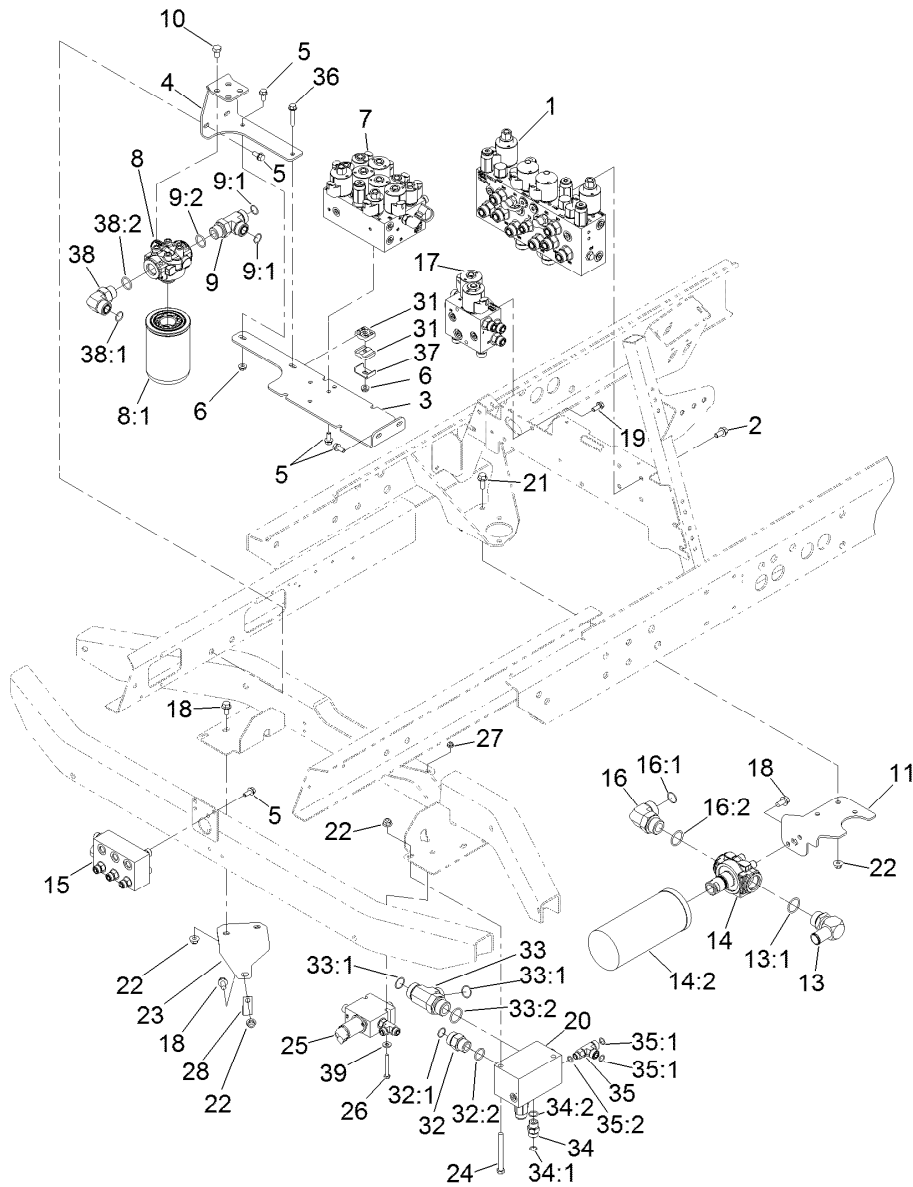
● Not illustrated

■ Not serviced separately



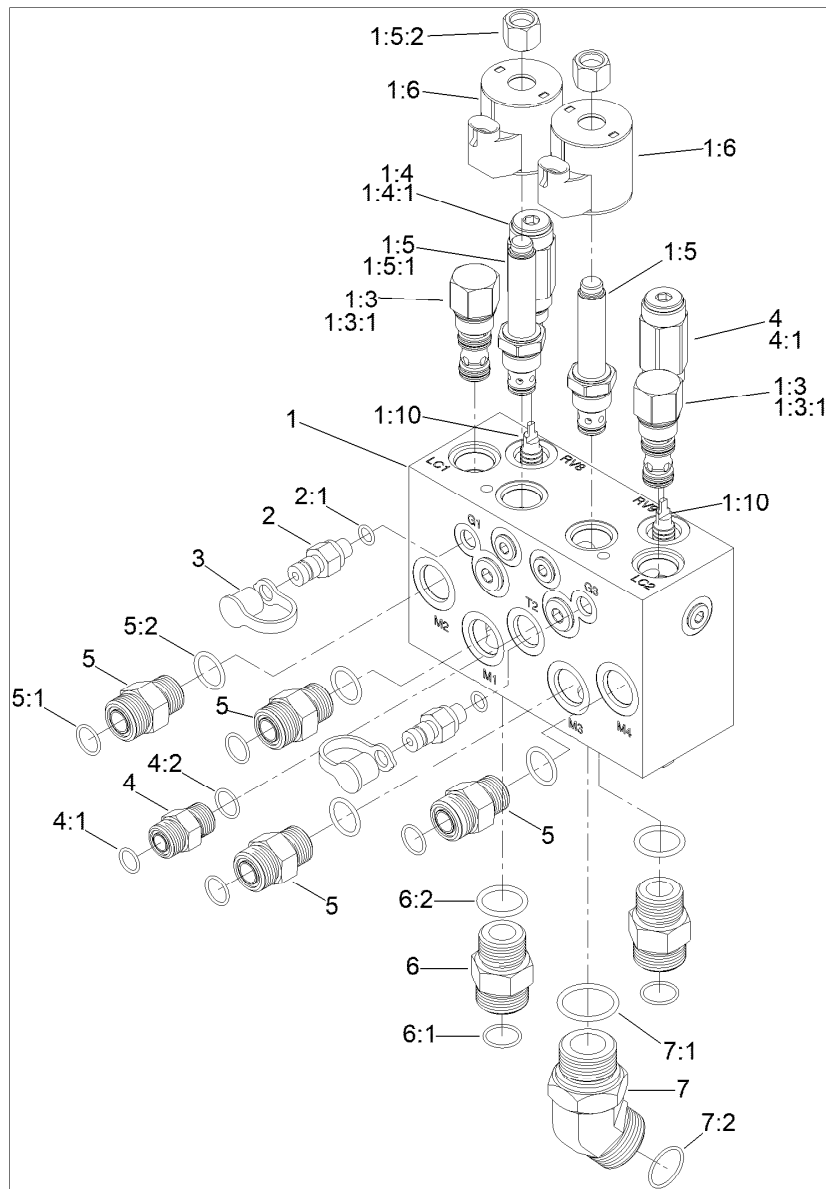
Hydraulic Valve Mounting Assembly

Ref.	Part Number	Qty.	Description	Ref.	Part Number	Qty.	Description
1	120-8064	1	Mow Manifold ASM	16:2	340-65	1	O-Ring
2	110-1718	4	Screw-HHF	17	117-2395	1	Fan Drive Manifold ASM
3	139-5957-0P	1	Bracket-Valve Mount	18	3234-1	5	Screw-HHF
4	104-5492-0P	1	Bracket-Filter Head	19	100-1668	2	Screw-HHF
5	3234-5	9	Screw-HHF	20	136-3341	1	Rear Traction Manifold ASM
6	32128-20	2	Nut-HF	21	3234-11	2	Screw-HHF
7	117-2388	1	Lift Manifold ASM	22	104-8301	7	Nut-HF, NI
8	93-2242	1	Oil Filter ASM	23	121-3089-0P	1	Plate-Mount,Tube
8:1	75-1310	1	Filter-HYD	24	323-42	2	Screw-HH
9	340-148	1	Fitting-Tee	25	138-6946	1	3-Way Valve Manifold ASM
9:1	237-81	1	O-Ring	26	321-18	2	Screw-HH
9:2	237-58	2	O-Ring	27	104-7201	2	Nut-HF, NI
10	33115-016	4	Screw-HH	28	2412-150	1	Clip-J
11	120-8022-0P	1	Plate-Mount,Filter	31	56-7973	2	Clamp-Tube
13	23-8910	1	Stem-Barb-90	32	340-9	1	Fitting-STR
13:1	237-146	1	O-Ring	32:1	237-58	1	O-Ring
14	139-1010	1	Filter Head ASM	32:2	237-81	1	O-Ring
14:2	94-2621	1	Element-Filter	33	104-3795	1	Fitting-Tee
15	117-2394	1	Junction Manifold ASM	33:1	340-65	2	O-Ring
16	340-129	1	Fitting-Elbow, 90 DEG	33:2	237-146	1	O-Ring
16:1	237-146	1	O-Ring	34	340-4	1	Fitting-Straight



Hydraulic Valve Mounting Assembly (continued)

<i>Ref.</i>	<i>Part Number</i>	<i>Qty.</i>	<i>Description</i>	<i>Ref.</i>	<i>Part Number</i>	<i>Qty.</i>	<i>Description</i>
34:1	237-30	1	O-Ring	37	119-1418	1	Plate-Clamp, Short
34:2	237-79	1	O-Ring	38	340-142	1	Fitting-Elbow, 90 DEG
35	110-0064	1	Fitting-Tee	38:1	237-58	1	O-Ring
35:1	237-30	2	O-Ring	38:2	237-81	1	O-Ring
35:2	237-42	1	O-Ring	39	3256-2	2	Washer-Flat
36	94-5780	1	Screw-HWH				



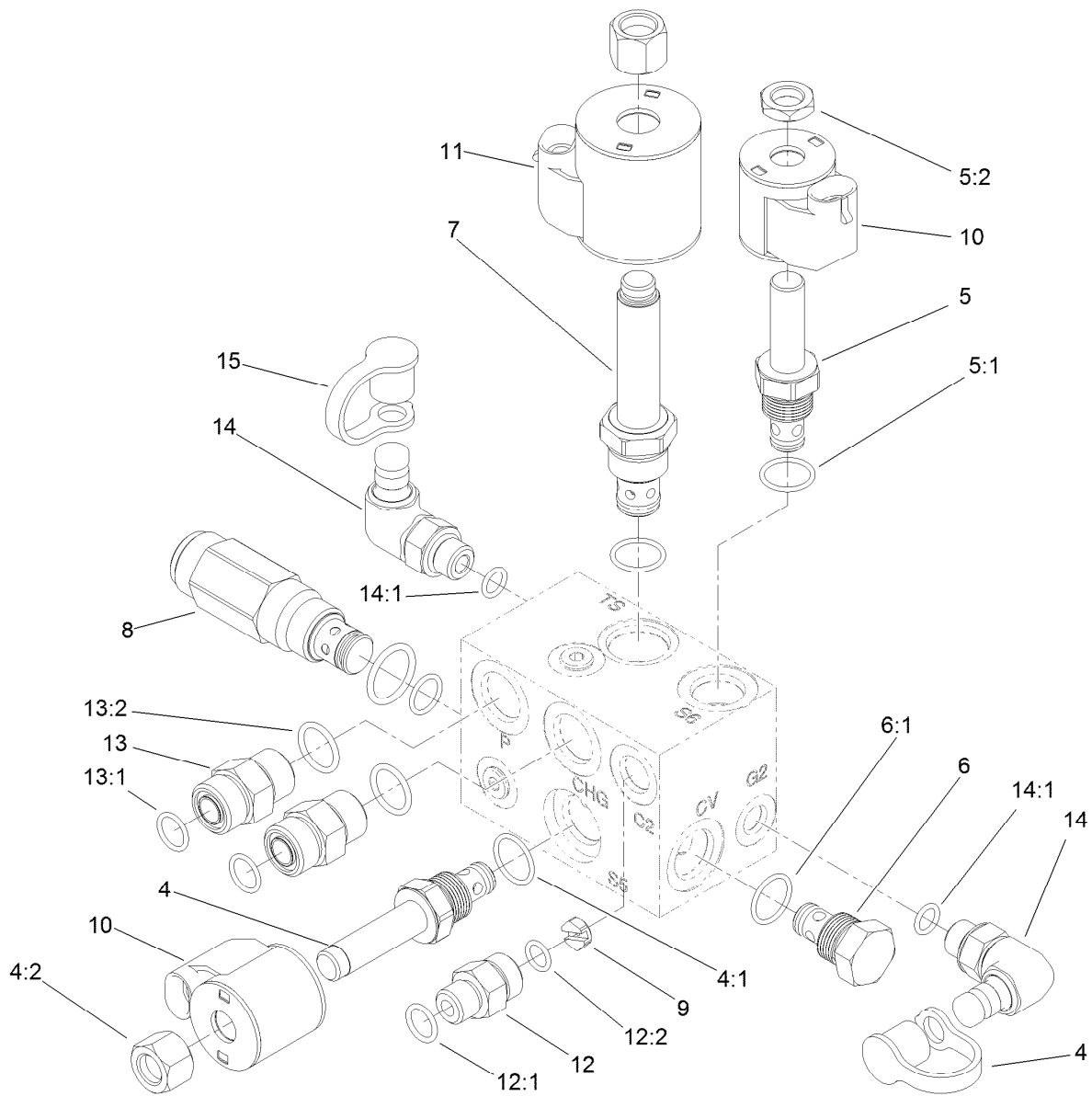
Mow Manifold Assembly No. 120-8064

Ref.	Part Number	Qty.	Description
1		1	Manifold-Mow ■
1:3	105-9153	2	Element-Logic, Vented
1:3:1	119-2159	1	Seal Kit ●
1:4	112-5259	2	Valve-Relief
1:4:1	105-9156	1	Seal Kit
1:5	110-8799	2	Valve-Relief, Proportional
1:5:1	110-6316	1	Seal Kit
1:5:2	130-8180	1	Nut-Coil (9/16-24 Unef-2B)
1:6	110-6344	2	Coil-12V, DC
1:10	105-9157	2	Piston-Pilot
2	354-77	2	Fitting-Quick
2:1	237-78	1	O-Ring ●
3	354-79	2	Cap-Dust

Ref.	Part Number	Qty.	Description
4	340-4	1	Fitting-Straight
4:1	237-30	1	O-Ring
4:2	237-79	1	O-Ring
5	340-7	4	Fitting-Straight
5:1	237-65	1	O-Ring
5:2	237-80	1	O-Ring
6	340-9	1	Fitting-STR
6:1	237-58	1	O-Ring
6:2	237-81	1	O-Ring
7	104-3509	1	Fitting-HYD, 45 DEG
7:1	237-146	1	O-Ring
7:2	340-65	1	O-Ring

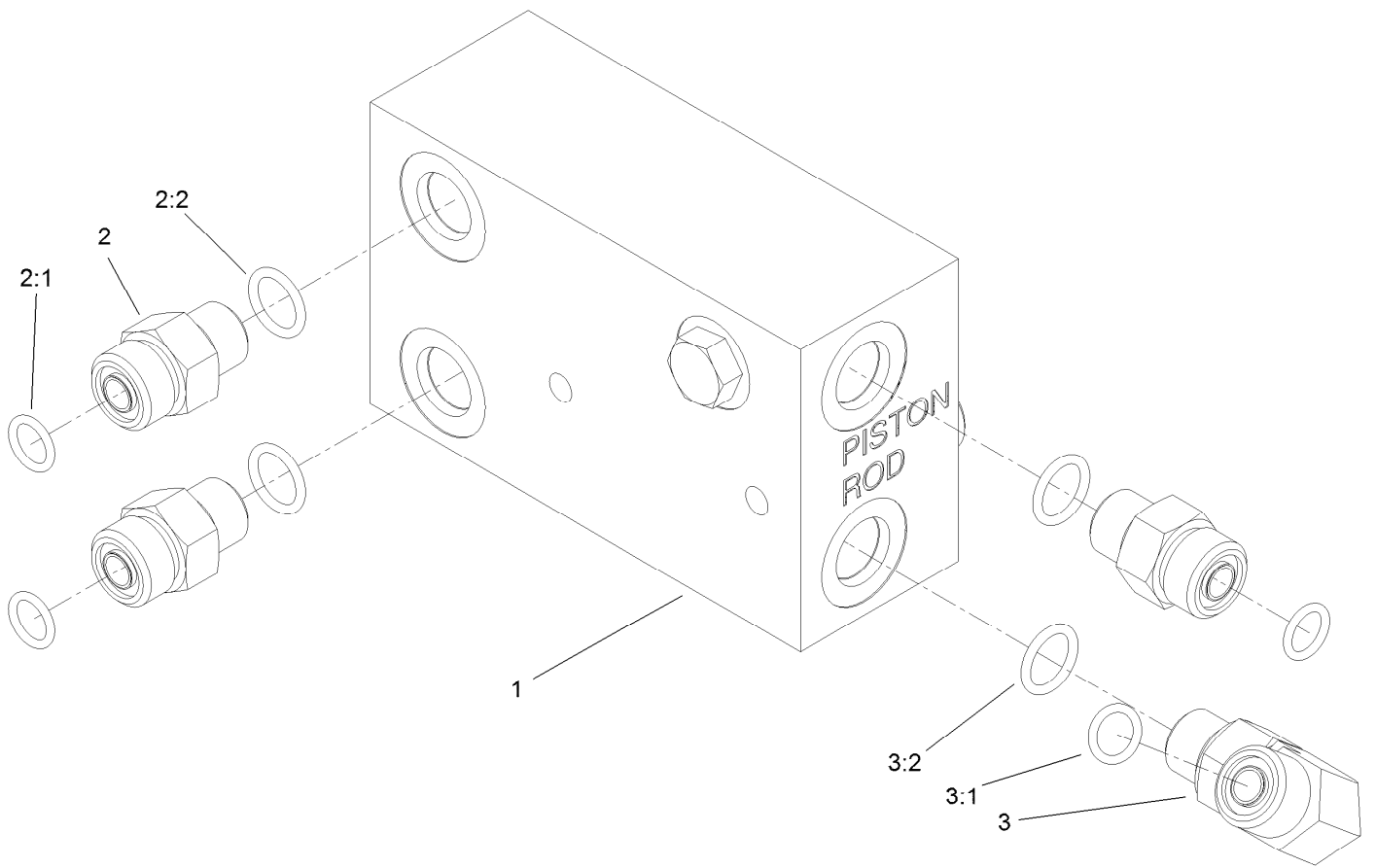
● Not illustrated

■ Not serviced separately



Lift Manifold Assembly No. 117-2388

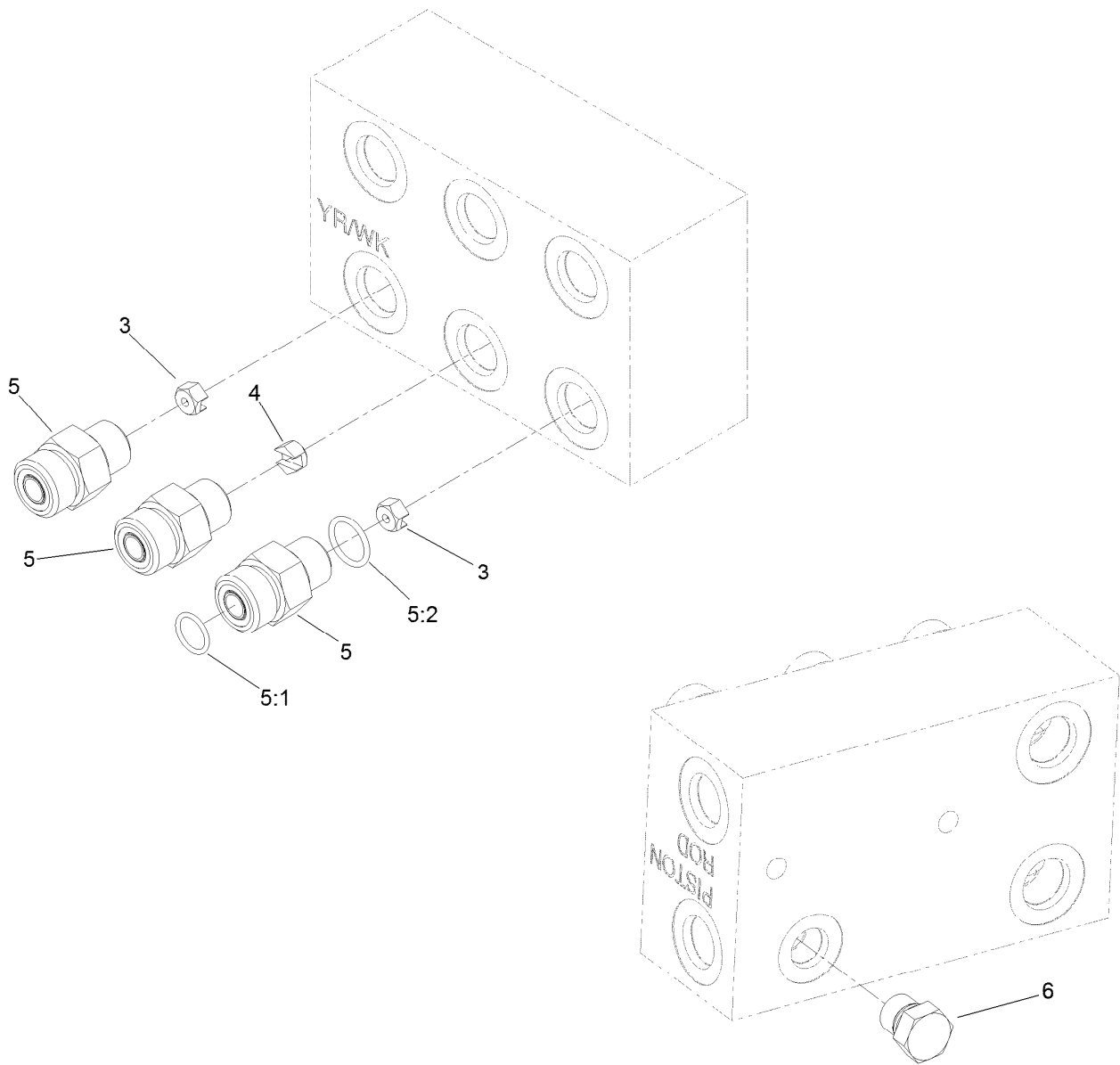
<i>Ref.</i>	<i>Part Number</i>	<i>Qty.</i>	<i>Description</i>	<i>Ref.</i>	<i>Part Number</i>	<i>Qty.</i>	<i>Description</i>
4	107-7517	1	Valve-Solenoid	10	110-0497	2	Coil-Solenoid
4:1	105-9156	1	Seal Kit	11	110-6344	1	Coil-12V, DC
4:2	107-7812	1	Nut-Solenoid	12	340-2	1	Fitting-Straight
5	112-9206	1	Solenoid Valve ASM	12:1	237-22	1	O-Ring
5:1	105-9156	1	Seal Kit	12:2	237-42	1	O-Ring
5:2	110-2634	1	Nut-Coil	13	340-4	2	Fitting-Straight
6	105-9321	1	Check Valve ASM	13:1	237-30	1	O-Ring
6:1	105-9156	1	Seal Kit	13:2	237-79	1	O-Ring
7	117-2399	1	Relief Valve-Proportional	14	115-9147	2	Fitting-Elbow, 90 DEG
8	117-4793	1	Valve-Relief	14:1	237-78	1	O-Ring
9	117-4756	1	Orifice-Flow Control, .080	15	354-79	2	Cap-Dust



Junction Manifold Assembly No. 117-2394

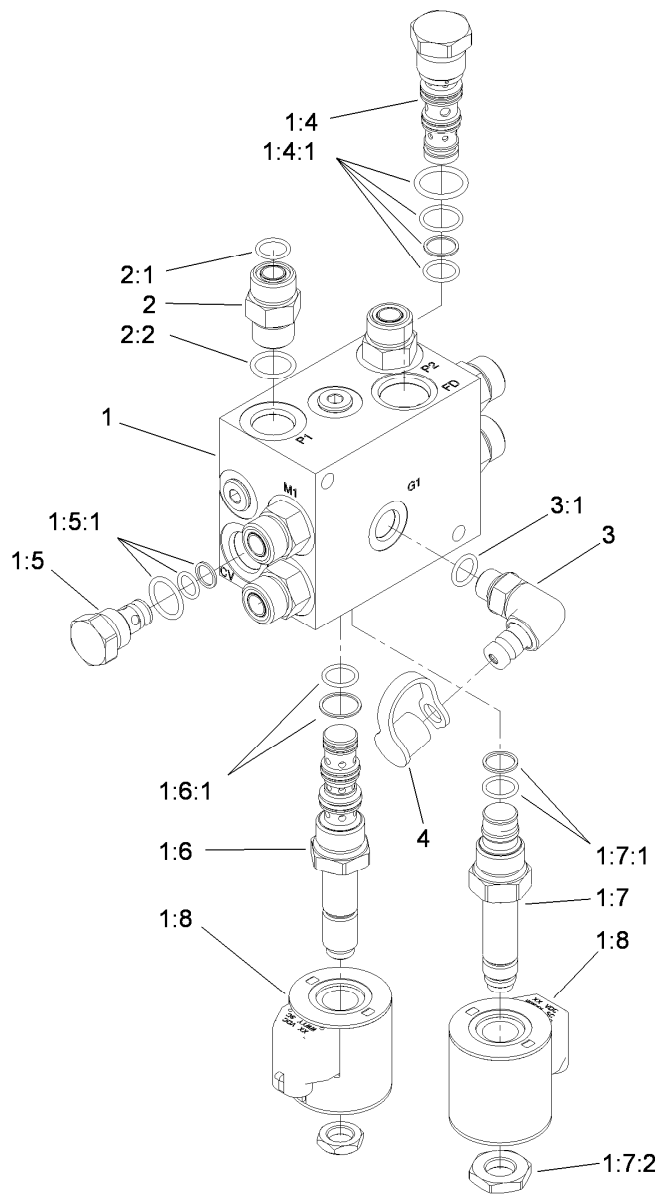
<i>Ref.</i>	<i>Part Number</i>	<i>Qty.</i>	<i>Description</i>
1		1	Manifold-Junction ●
2	340-2	3	Fitting-Straight
2:1	237-22	1	O-Ring
2:2	237-42	1	O-Ring
3	340-77	1	Fitting-Elbow, 90 DEG
3:1	237-22	1	O-Ring
3:2	237-42	1	O-Ring

● Not serviced separately



Junction Manifold Assembly

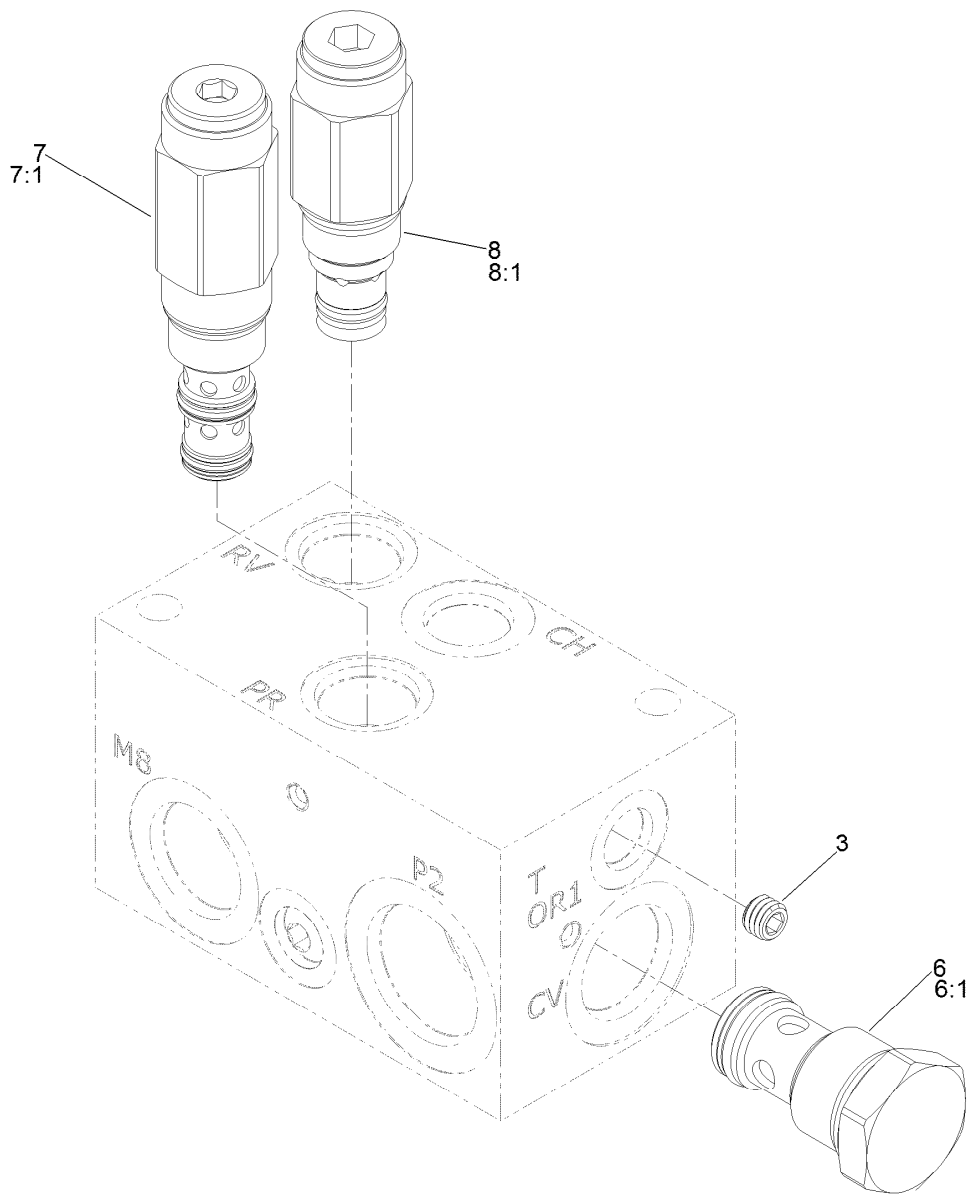
<i>Ref.</i>	<i>Part Number</i>	<i>Qty.</i>	<i>Description</i>
3	119-2010	1	Orifice-Control, Flow (0.055)
4	119-2009	2	Orifice-Flow Control (0.030)
5	340-2	3	Fitting-Straight
5:1	237-22	1	O-Ring
5:2	237-42	1	O-Ring
6	117-0115	1	Plug



Fan Drive Manifold Assembly No. 117-2395

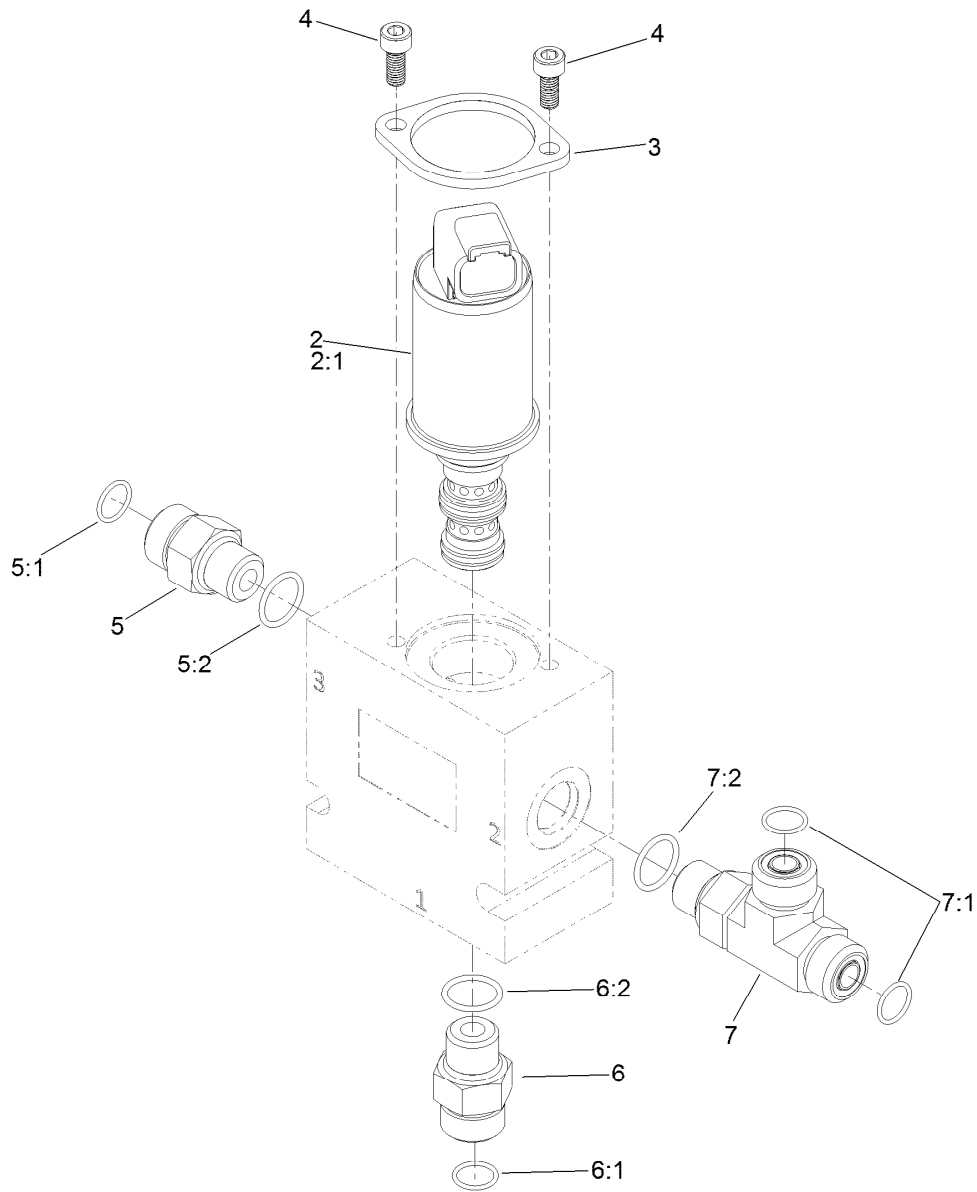
Ref.	Part Number	Qty.	Description	Ref.	Part Number	Qty.	Description
1		1	Fan Drive Manifold ASM ●	1:7:1	110-6316	1	Seal Kit
1:4	115-3024	1	Valve-Flow Divider/Combiner	1:7:2	119-7715	1	Nut-Coil
1:4:1	115-3025	1	Seal Kit	1:8	110-6344	2	Coil-12V, DC
1:5	105-9321	1	Check Valve ASM	2	340-4	7	Fitting-Straight
1:5:1	105-9156	1	Seal Kit	2:1	237-30	1	O-Ring
1:6	115-3023	1	Solenoid Valve ASM	2:2	237-79	1	O-Ring
1:6:1	110-8908	1	Spool Valve Seal Kit	3	115-9148	1	Fitting-Elbow-90
1:7	115-3022	1	Relief-Proportional	3:1	237-42	1	O-Ring
				4	354-79	1	Cap-Dust

● Not serviced separately



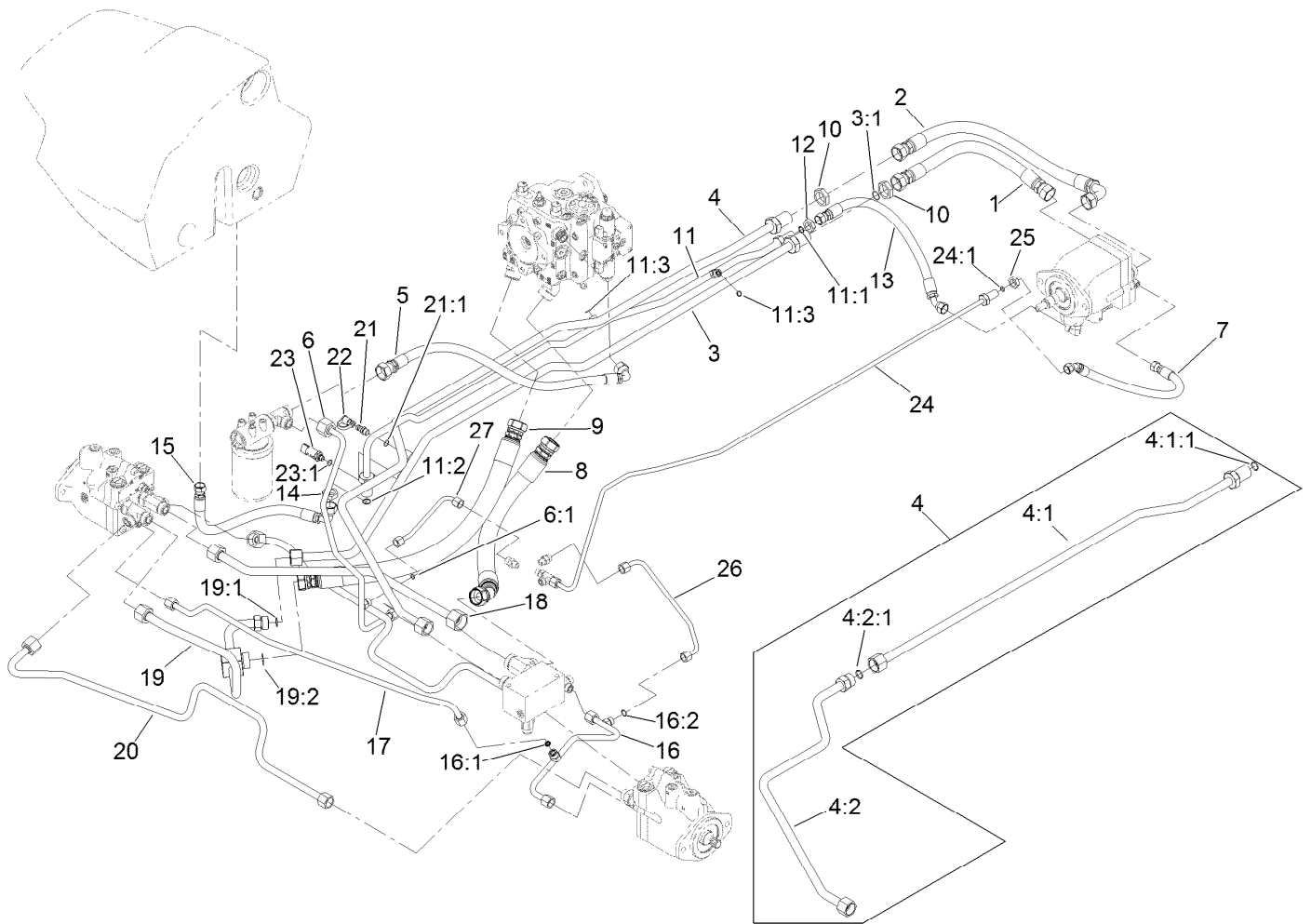
Traction Manifold Assembly No. 136-3341

<i>Ref.</i>	<i>Part Number</i>	<i>Qty.</i>	<i>Description</i>
3	110-0495	1	Plug-Orifice (0.050 Inch)
6	125-4328	1	Valve-Check
6:1	125-4336	1	Seal Kit
7	125-7567	1	Valve-Pressure Reducing
7:1	125-4334	1	Seal Kit
8	136-3342	1	Valve-Relief
8:1	110-6316	1	Seal Kit



3-Way Valve Manifold Assembly No. 138-6946

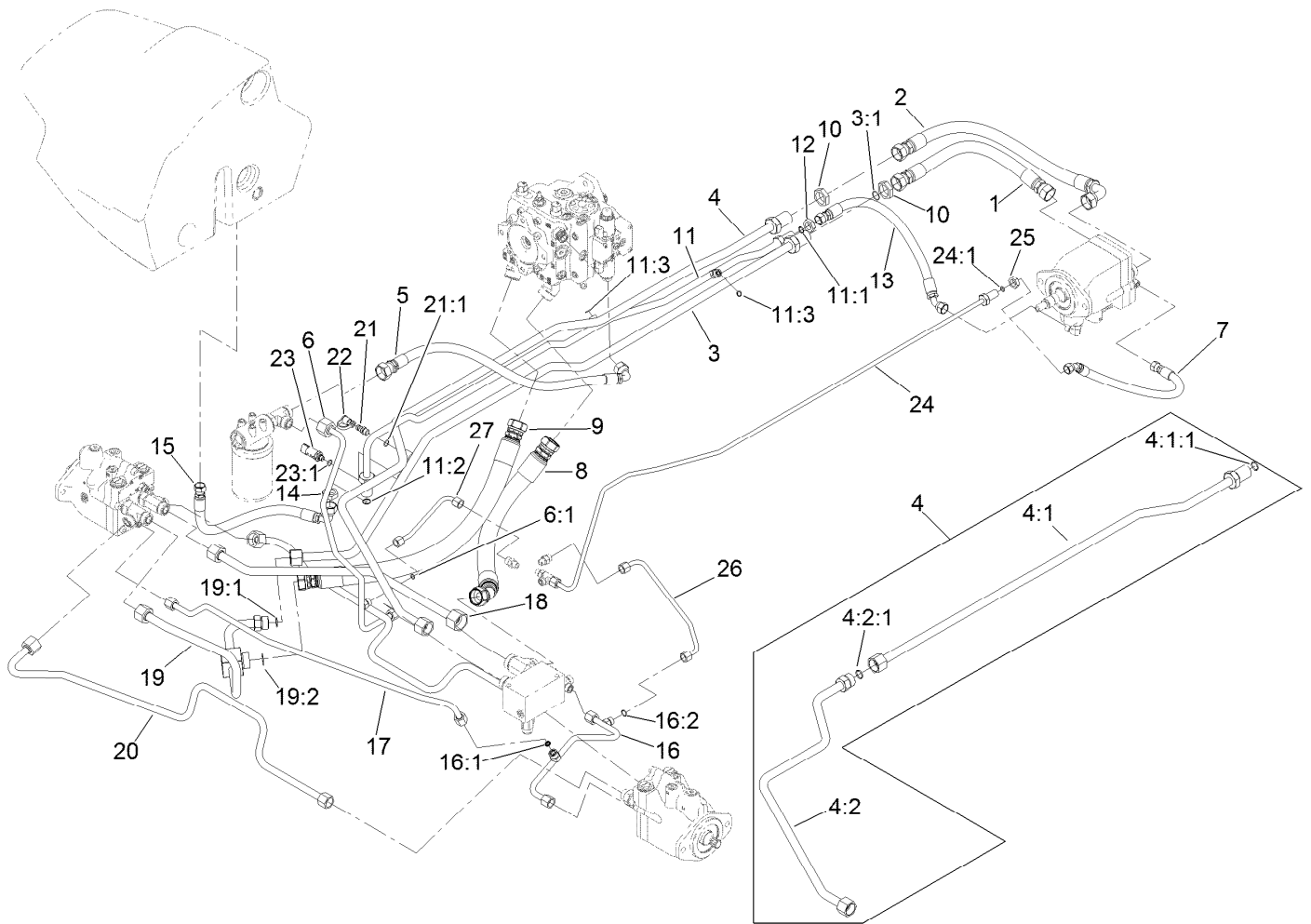
Ref.	Part Number	Qty.	Description
2	138-3828	1	Valve-Solenoid, 3 Way 2 Position
2:1	138-3831	1	Seal Kit
3	138-3825	2	Plate-Mounting, Standard
4	138-3827	1	Screw
5	92-9258	1	Adapter-Check
5:1	237-22	1	O-Ring
5:2	237-42	1	O-Ring
6	340-2	1	Fitting-Straight
6:1	237-22	1	O-Ring
6:2	237-42	1	O-Ring
7	340-86	1	Fitting-Tee
7:1	237-22	2	O-Ring
7:2	237-42	1	O-Ring



Hydraulic Traction Circuit Assembly

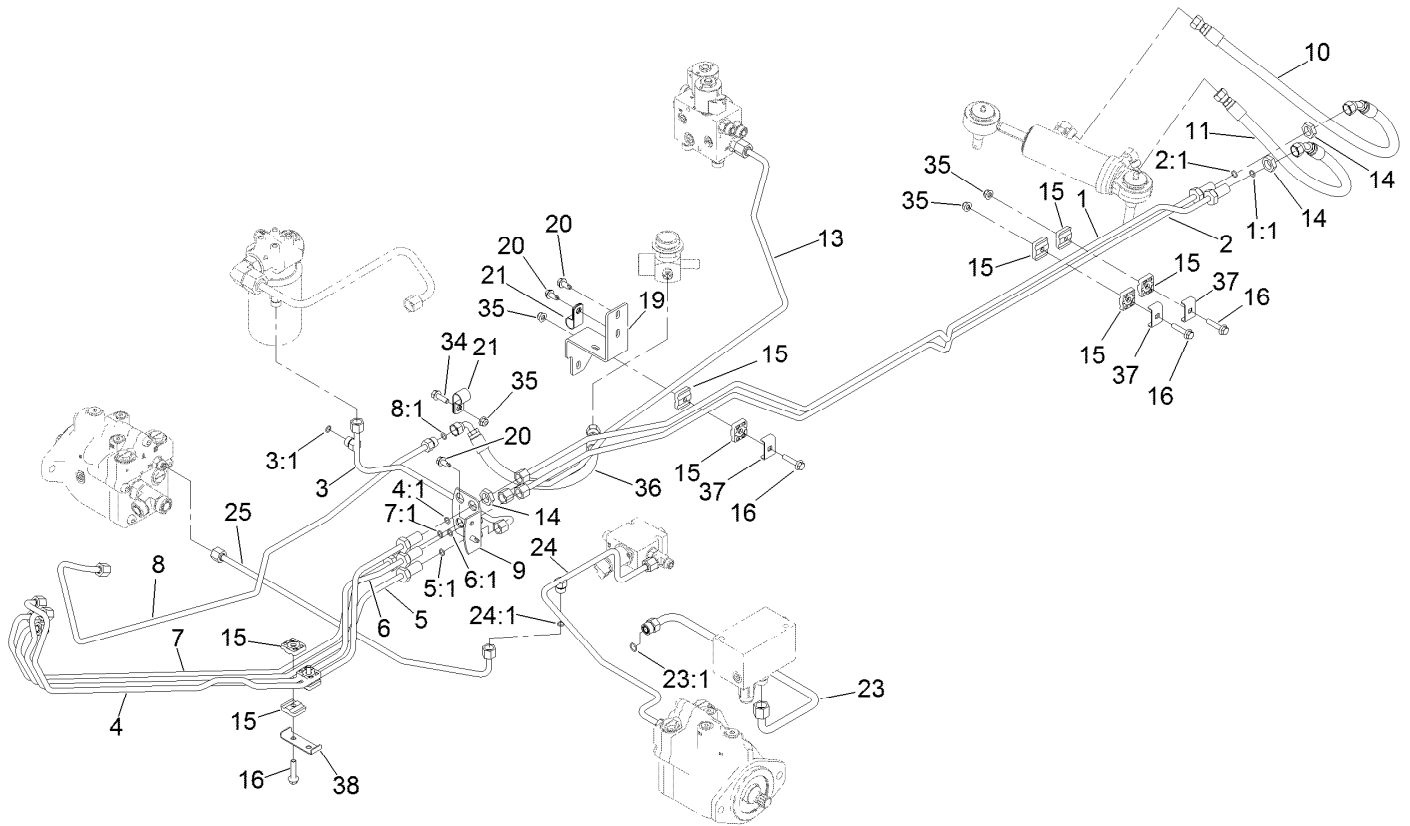
Ref.	Part Number	Qty.	Description
1	120-8053	1	Hose ASM
2	104-3789	1	Filter Hose ASM
3	120-8079	1	Tube ASM
3:1	237-58	1	O-Ring
4	136-2945	1	HYD Tube Kit
4:1	138-1246	1	Tube ASM
4:1:1	237-58	1	O-Ring
4:2	138-1247	1	Tube ASM
4:2:1	237-58	1	O-Ring
5	136-2925	1	Hose ASM
6	120-8047	1	Tube ASM
6:1	237-22	1	O-Ring
7	92-7595	1	Hose-HYD
8	136-2927	1	Hose ASM
9	136-2928	1	Hose ASM
10	340-126	2	Nut-Bulkhead
11	136-2882	1	HYD Tube ASM
11:1	237-30	1	O-Ring
11:2	237-65	1	O-Ring
11:3	237-22	2	O-Ring
12	340-127	1	Nut-Bulkhead

Ref.	Part Number	Qty.	Description
13	92-2406	1	Hose-HYD
14	340-74	1	Nut-Lock, Bulkhead
15	136-2911	1	Hose ASM
16	121-3055	1	Tube ASM
16:1	237-30	1	O-Ring
16:2	237-22	1	O-Ring
17	121-3056	1	Tube ASM
18	121-3123	1	Tube ASM
19	125-4569	1	Tube ASM
19:1	237-58	1	O-Ring
19:2	340-65	1	O-Ring
20	121-3054	2	Tube ASM
21	59-7410	1	Fitting-Diagnostic
21:1	237-42	1	O-Ring
22	354-79	1	Cap-Dust
23	119-0011	1	Pressure Transducer ASM
23:1	237-78	1	O-Ring
24	120-8052	1	Tube ASM
24:1	237-22	1	O-Ring
25	340-70	1	Nut-Lock



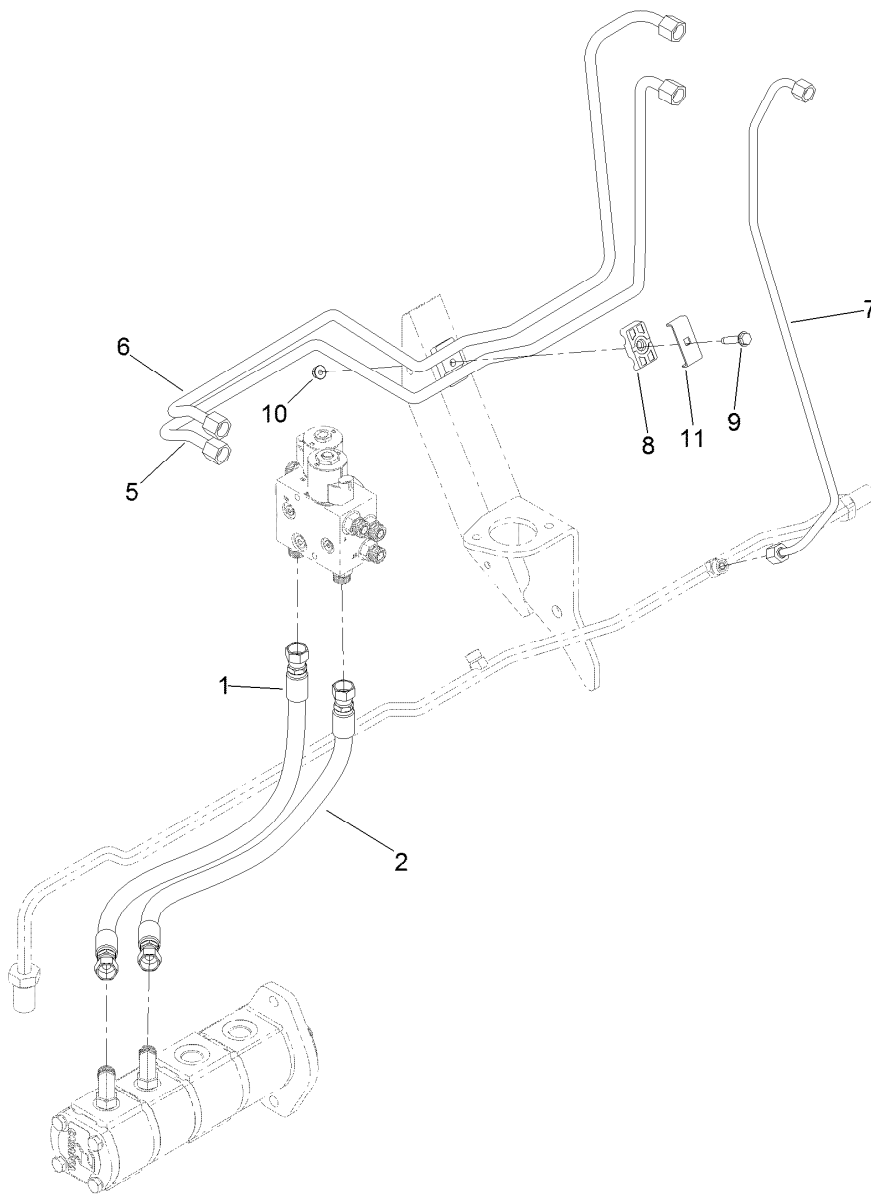
Hydraulic Traction Circuit Assembly (continued)

<i>Ref.</i>	<i>Part Number</i>	<i>Qty.</i>	<i>Description</i>
26	125-4563	1	Tube ASM
27	125-4566	1	Tube ASM



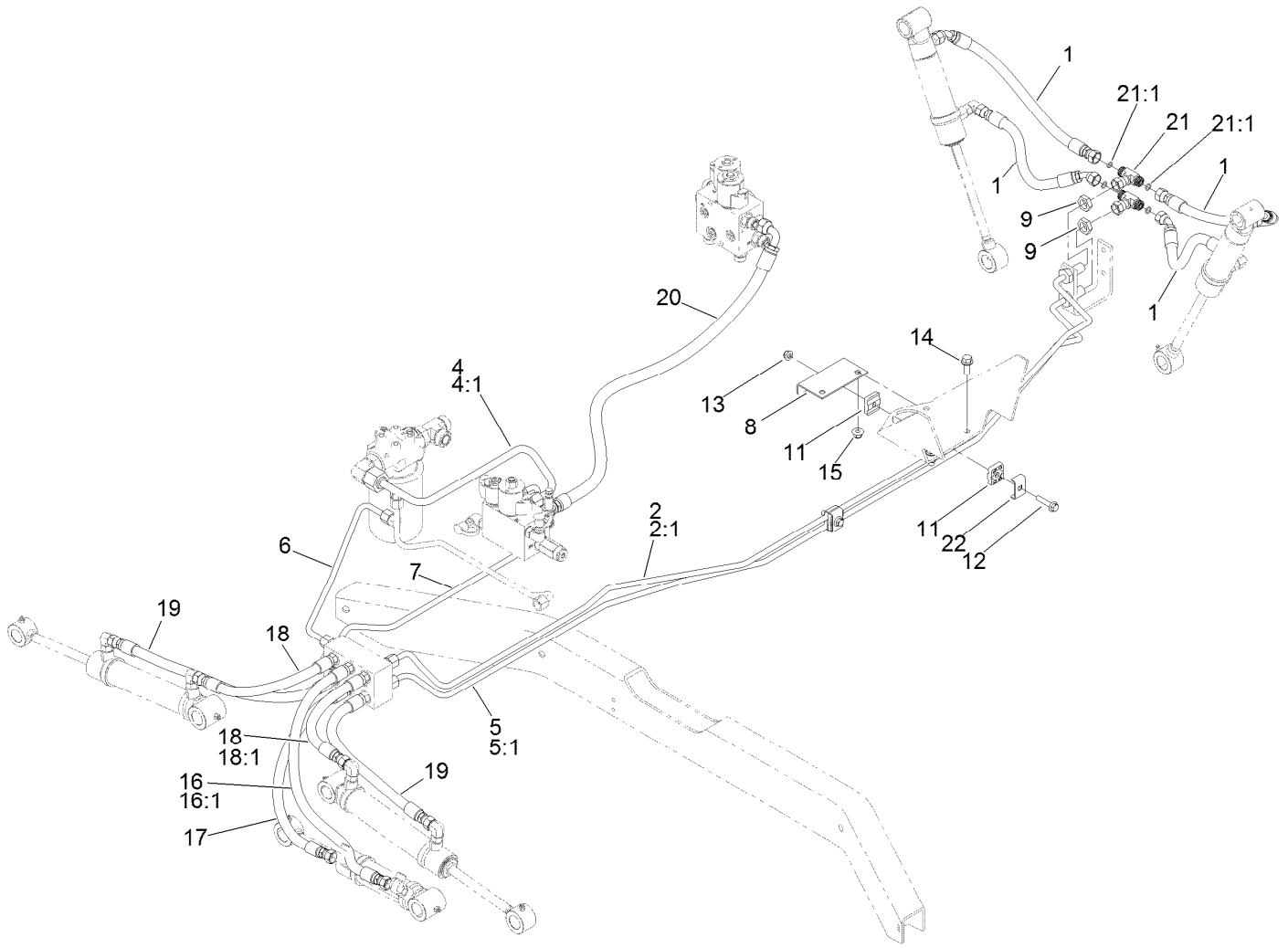
Steering Hydraulic Assembly

Ref.	Part Number	Qty.	Description	Ref.	Part Number	Qty.	Description
1	120-8056	1	Tube ASM	11	92-7539	1	Hose-HYD
1:1	237-22	1	O-Ring	13	120-8057	1	Tube ASM
2	120-8055	1	Tube ASM	14	340-70	6	Nut-Lock
2:1	237-22	1	O-Ring	15	56-7973	10	Clamp-Tube
3	136-3311	1	Hydraulic Tube ASM	16	115-1794	5	Screw-HHF
3:1	237-22	1	O-Ring	19	105-3993-0P	1	Bracket-Tube Support
4	115-4408	1	Tube ASM	20	32104-32	4	Screw-HWH
4:1	237-22	1	O-Ring	21	2412-81	2	Clamp-R
5	115-4406	1	Tube ASM	23	125-4570	1	Tube ASM
5:1	237-22	1	O-Ring	23:1	237-30	1	O-Ring
6	115-4409	1	Tube ASM	24	121-3064	1	Tube ASM
6:1	237-22	1	O-Ring	24:1	237-22	1	O-Ring
7	115-4405	1	Tube ASM	25	121-3063	1	Tube ASM
7:1	237-22	1	O-Ring	34	3234-29	1	Screw-HHF
8	136-3414	1	Hydraulic Tube ASM	35	104-8300	4	Nut-HF, NI
8:1	237-22	1	O-Ring	36	92-5694	1	Hose-Hydraulic
9	92-7606-0P	1	Bracket - Bulkhead *b	37	119-1418	3	Plate-Clamp, Short
10	125-4560	1	Hose ASM	38	131-7789	1	Plate-Bent, Clamp



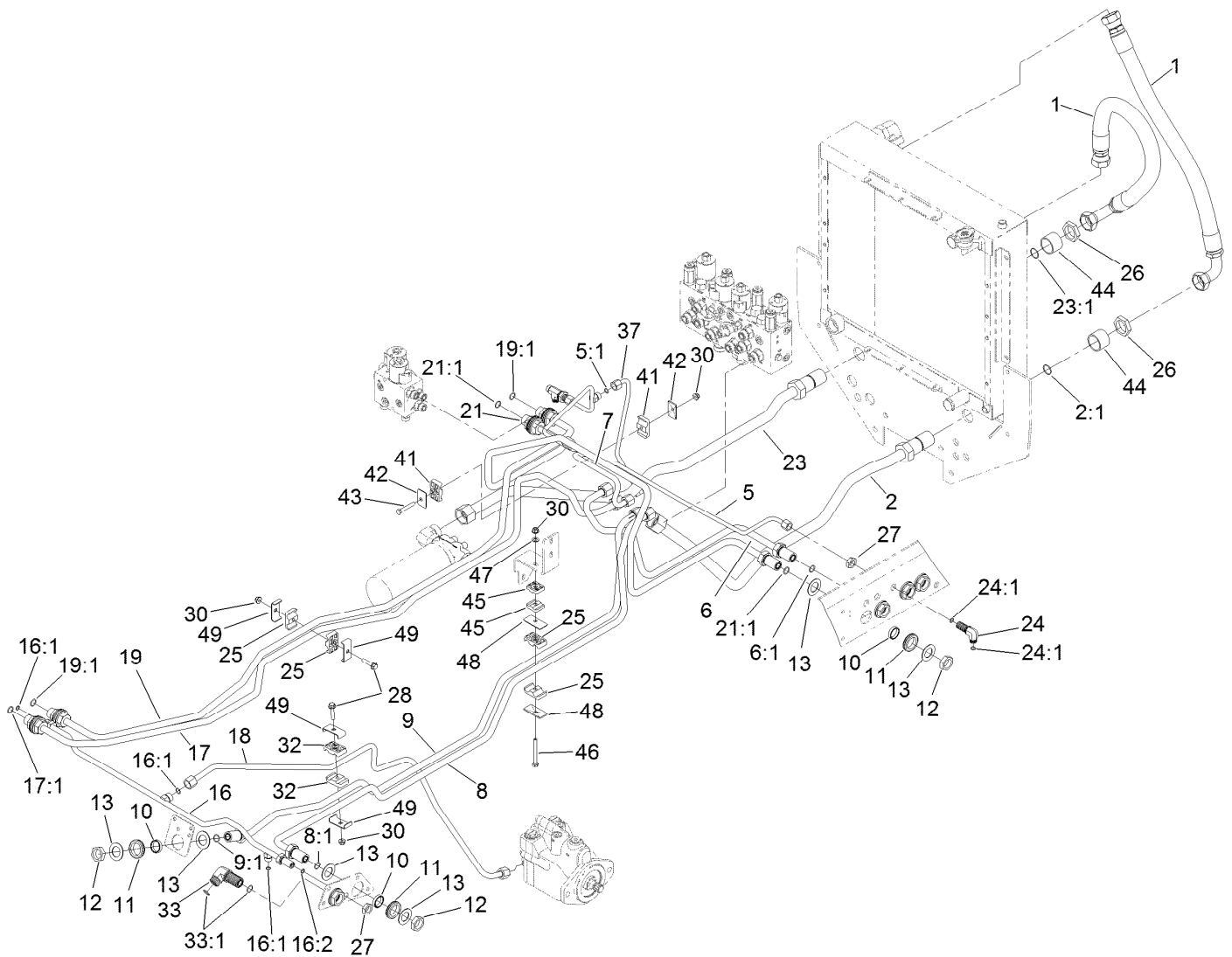
Hydraulic Traction Circuit Assembly

<i>Ref.</i>	<i>Part Number</i>	<i>Qty.</i>	<i>Description</i>
1	125-4558	1	Hose ASM
2	95-8829	1	Hose ASM
5	125-4601	1	Tube ASM
6	125-4599	1	Tube ASM
7	125-4602	1	Tube ASM
8	56-7976	2	Clamp-Tube
9	32144-57	1	Screw
10	104-8300	1	Nut-HF, NI
11	119-1419	1	Plate-Clamp



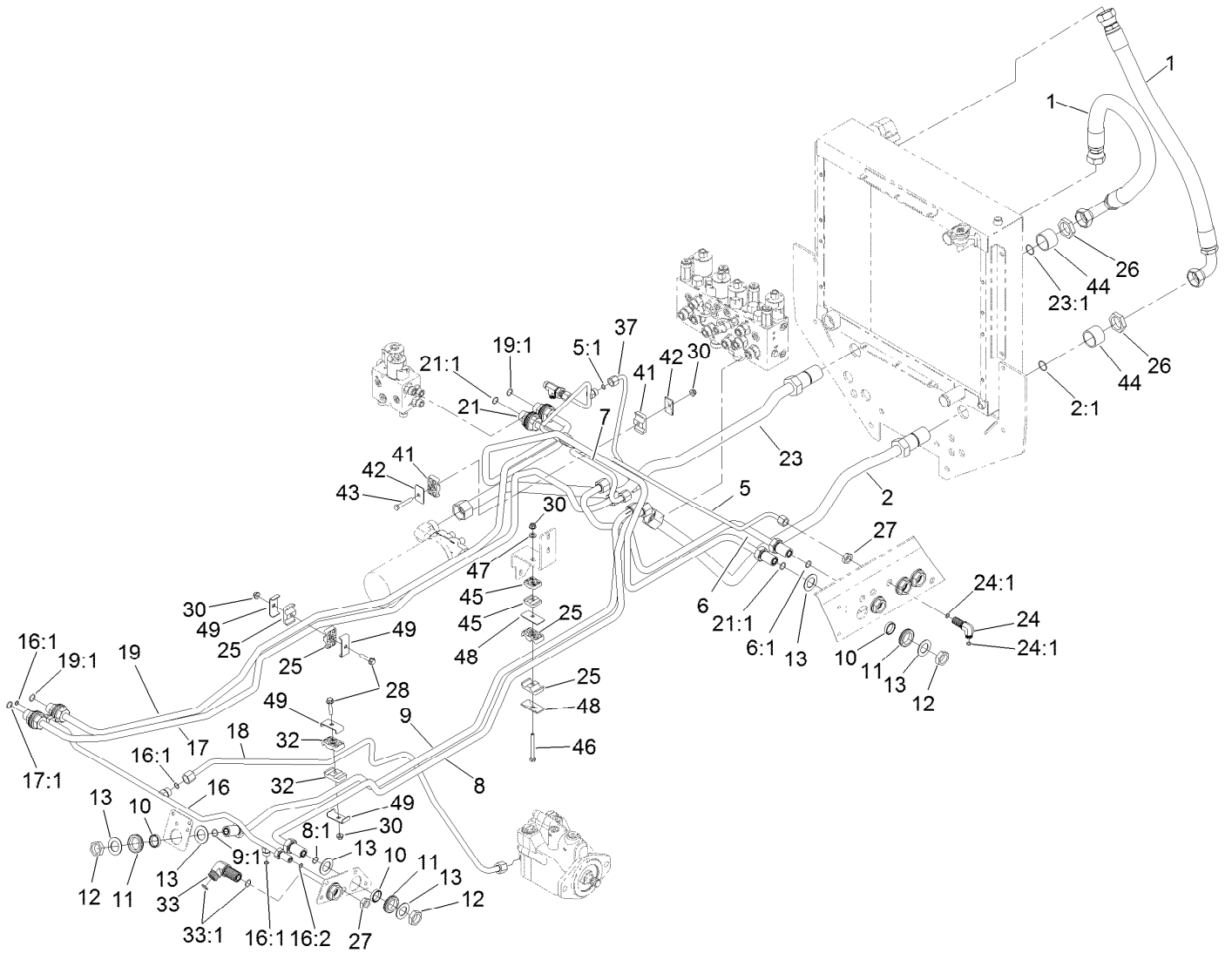
Deck Lift Hydraulic Circuit Assembly

<i>Ref.</i>	<i>Part Number</i>	<i>Qty.</i>	<i>Description</i>	<i>Ref.</i>	<i>Part Number</i>	<i>Qty.</i>	<i>Description</i>
1	105-9238	4	Hose-HYD	13	104-8300	2	Nut-HF, NI
2	121-3103	1	Tube ASM	14	3234-11	2	Screw-HHF
2:1	237-22	1	O-Ring	15	104-8301	2	Nut-HF, NI
4	136-3310	1	Hydraulic Tube ASM	16	104-5511	1	Hose -HYD
4:1	237-22	1	O-Ring	16:1	237-42	1	O-Ring
5	121-3104	1	Tube ASM	17	100-5629	1	Hose ASM
5:1	237-22	1	O-Ring	18	104-5512	2	Hose-HYD
6	136-3309	1	Hydraulic Tube	18:1	237-42	1	O-Ring
7	136-3308	1	Hydraulic Tube ASM	19	99-3579	2	Hose-HYD
8	105-3990-0P	1	Bracket-Tube Support	20	131-7758	1	Hose ASM
9	340-70	2	Nut-Lock	21	340-166	2	Fitting-Tee
11	56-7973	4	Clamp-Tube	21:1	237-22	2	O-Ring
12	115-1794	2	Screw-HHF	22	119-1418	3	Plate-Clamp, Short



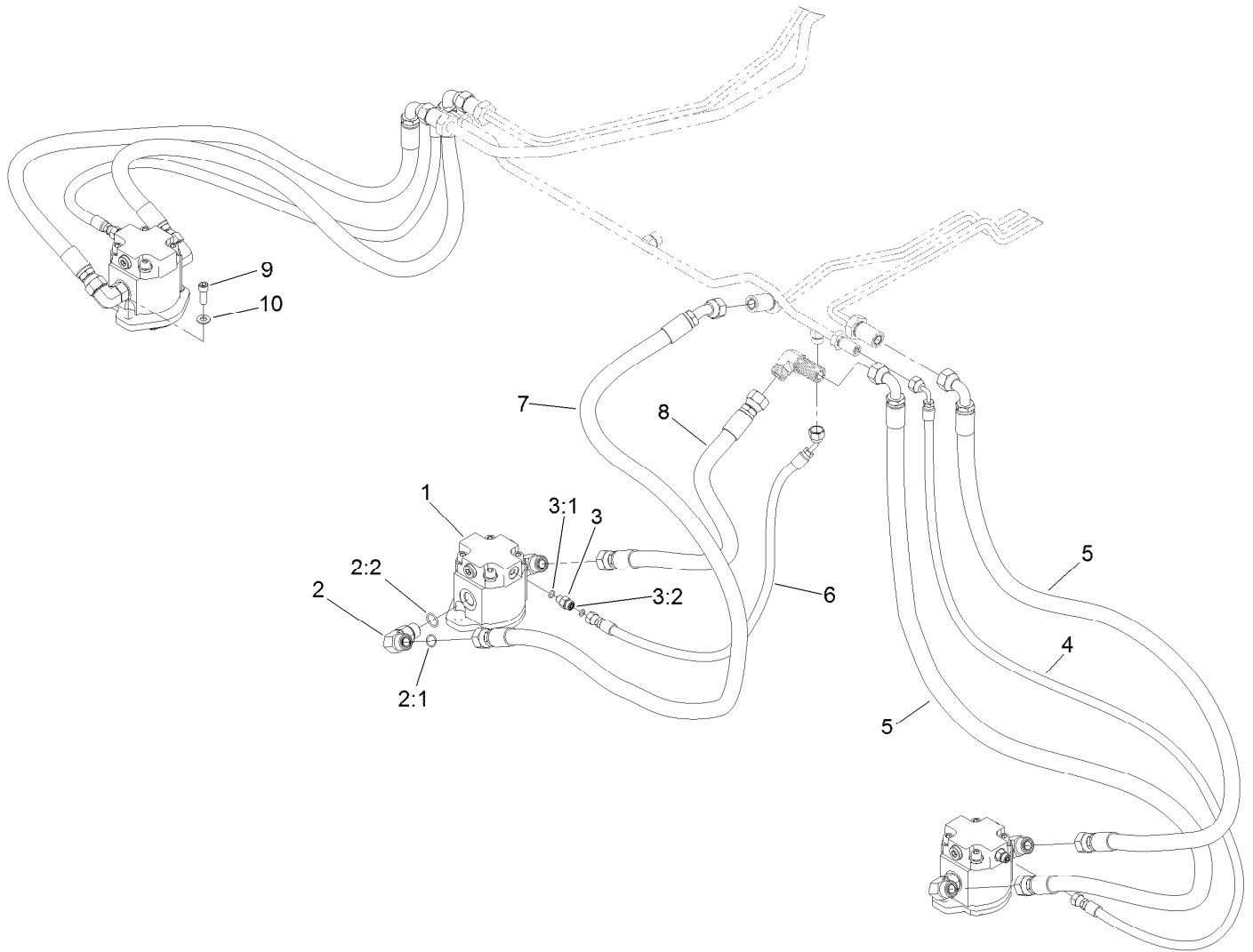
Hydraulic Mow Circuit Assembly

Ref.	Part Number	Qty.	Description	Ref.	Part Number	Qty.	Description
1	108-1689	2	Hose-HYD	18	120-8082	1	Tube ASM
2	125-4574	1	Tube ASM	19	105-3901	1	Tube ASM
2:1	340-65	1	O-Ring	19:1	237-65	2	O-Ring
5	121-3114	1	Tube ASM	21	121-3113	1	Tube ASM
5:1	237-22	1	O-Ring	21:1	237-65	2	O-Ring
6	125-4557	1	Tube ASM	23	125-4573	1	Tube ASM
6:1	237-65	1	O-Ring	23:1	340-65	1	O-Ring
7	115-4398	1	Tube-HYD	24	340-154	2	Union-Bulkhead
8	115-4371	1	Tube-HYD	24:1	237-22	2	O-Ring
8:1	237-65	1	O-Ring	25	56-7971	4	Clamp-Tube
9	115-4370	1	Tube-HYD	26	340-128	2	Nut-Bulkhead
9:1	237-65	1	O-Ring	27	340-70	4	Nut-Lock
10	125-1984	9	Spacer	28	94-5780	2	Screw-HWH
11	240-3	9	Grommet-Rubber	30	104-8300	4	Nut-HF, NI
12	340-74	9	Nut-Lock, Bulkhead	32	56-7972	2	Clamp-Tube
13	69-9010	18	Washer	33	340-72	1	Fitting-Bulkhead, 90 DEG
16	120-8081	1	Tube ASM	33:1	237-65	2	O-Ring
16:1	237-30	1	O-Ring	37	121-3115	1	Tube ASM
16:2	237-22	3	O-Ring	41	56-7977	2	Clamp-Tube
17	125-4556	1	Tube ASM	42	69-9760	2	Plate-Cover
17:1	237-65	1	O-Ring	43	322-10	1	Screw-HH



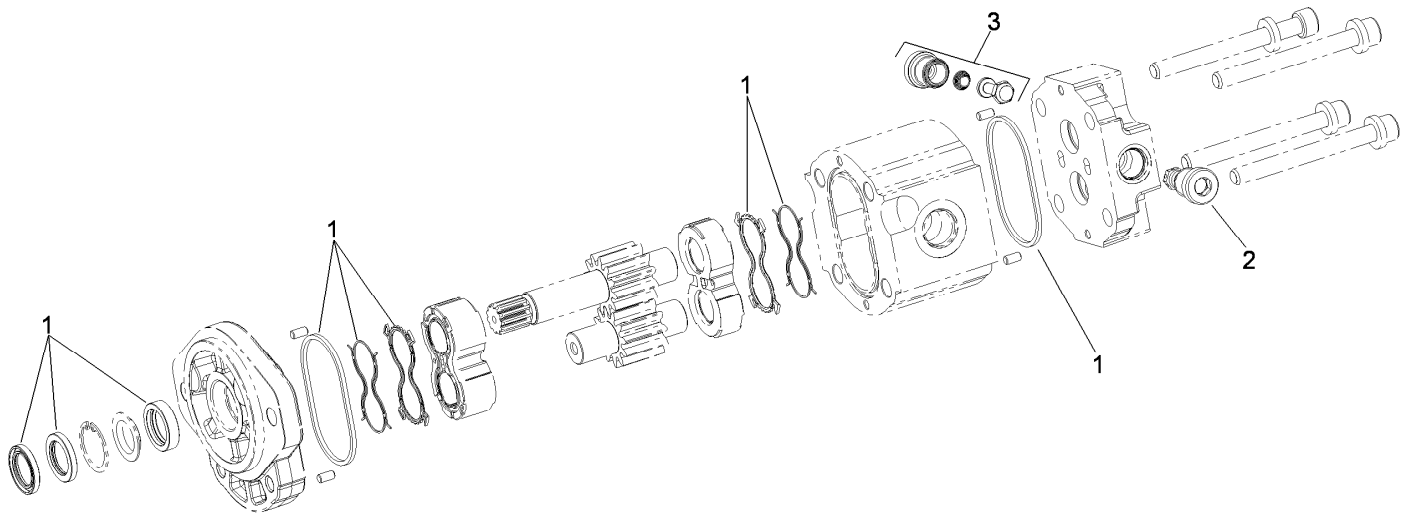
Hydraulic Mow Circuit Assembly (continued)

<i>Ref.</i>	<i>Part Number</i>	<i>Qty.</i>	<i>Description</i>	<i>Ref.</i>	<i>Part Number</i>	<i>Qty.</i>	<i>Description</i>
44	125-4577	2	Spacer	47	3256-23	1	Washer-Plain
45	56-7973	2	Clamp-Tube	48	69-9761	2	Plate-Cover
46	322-14	1	Screw-HH	49	119-1419	4	Plate-Clamp



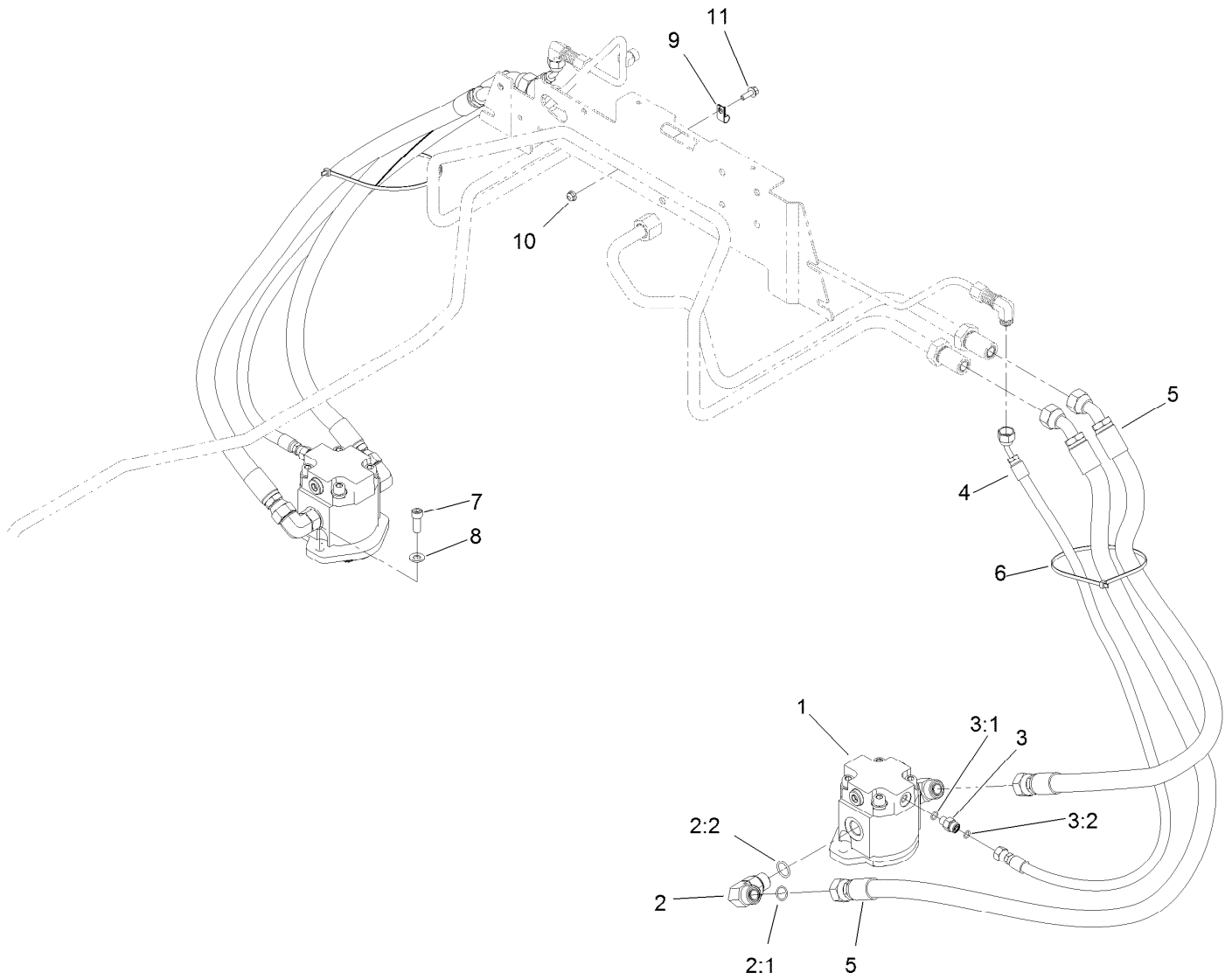
Deck No. 1, 4 and 5 Hydraulic Assembly

<i>Ref.</i>	<i>Part Number</i>	<i>Qty.</i>	<i>Description</i>
1	117-5141	3	HYD Motor ASM
2	340-17	6	Fitting-Elbow, 90 DEG
2:1	237-65	1	O-Ring
2:2	237-80	1	O-Ring
3	340-92	3	Fitting-Straight
3:1	237-78	1	O-Ring
3:2	237-21	1	O-Ring
4	104-5500	2	Hose-HYD
5	104-5501	4	Hose-HYD
6	104-5502	1	Hose-HYD
7	104-5504	1	Hose-HYD
8	104-5505	1	Hose-HYD
9	3274-7	6	Screw-HSH
10	3256-24	6	Washer-Plain



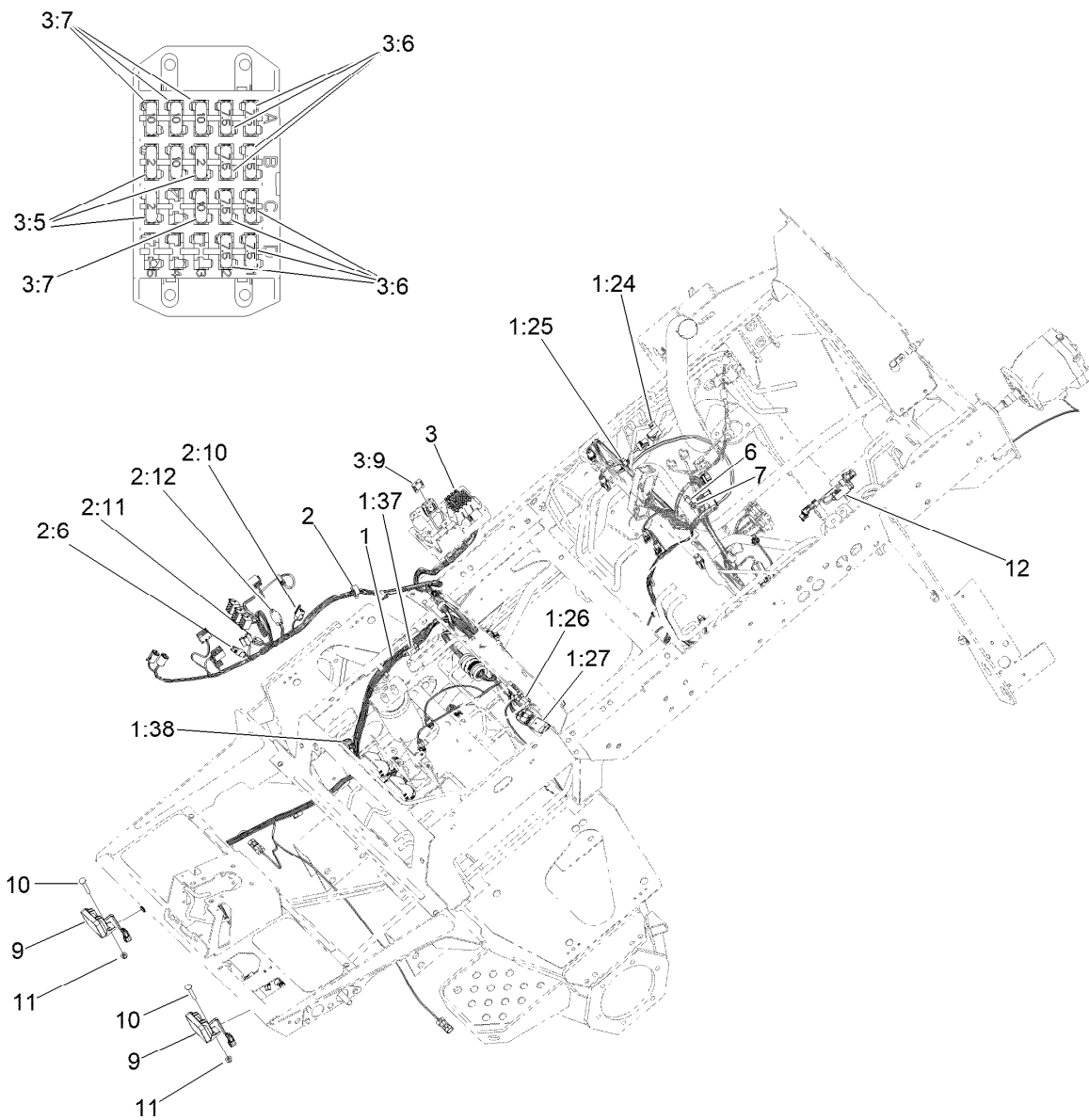
Gear Motor Assembly No. 117-5141

<i>Ref.</i>	<i>Part Number</i>	<i>Qty.</i>	<i>Description</i>
1	117-0235	1	Seal Kit
2	107-7820	1	Valve-Relief
3	107-7821	1	Valve-Anticavitation



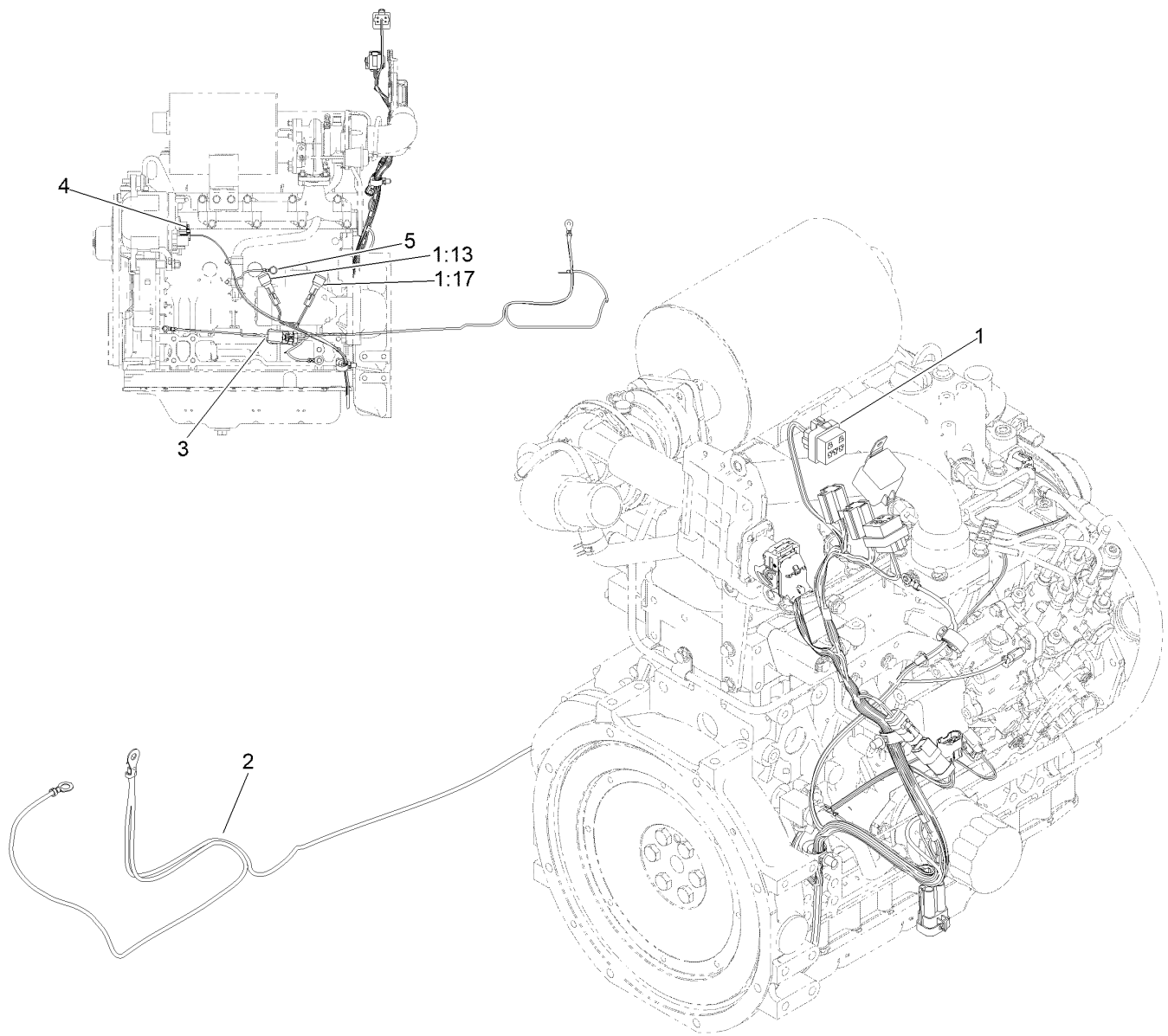
Deck No. 2 and 3 Hydraulic Assembly

Ref.	Part Number	Qty.	Description
1	117-5141	2	HYD Motor ASM
2	340-17	4	Fitting-Elbow, 90 DEG
2:1	237-65	1	O-Ring
2:2	237-80	1	O-Ring
3	340-92	2	Fitting-Straight
3:1	237-78	1	O-Ring
3:2	237-21	1	O-Ring
4	104-5502	2	Hose-HYD
5	104-5505	4	Hose-HYD
6	3290-379	2	Tie-Cable
7	3274-7	4	Screw-HSH
8	3256-24	4	Washer-Plain
9	2412-89	1	Clamp-R
10	104-7201	1	Nut-HF, NI
11	3234-4	1	Screw-HHF



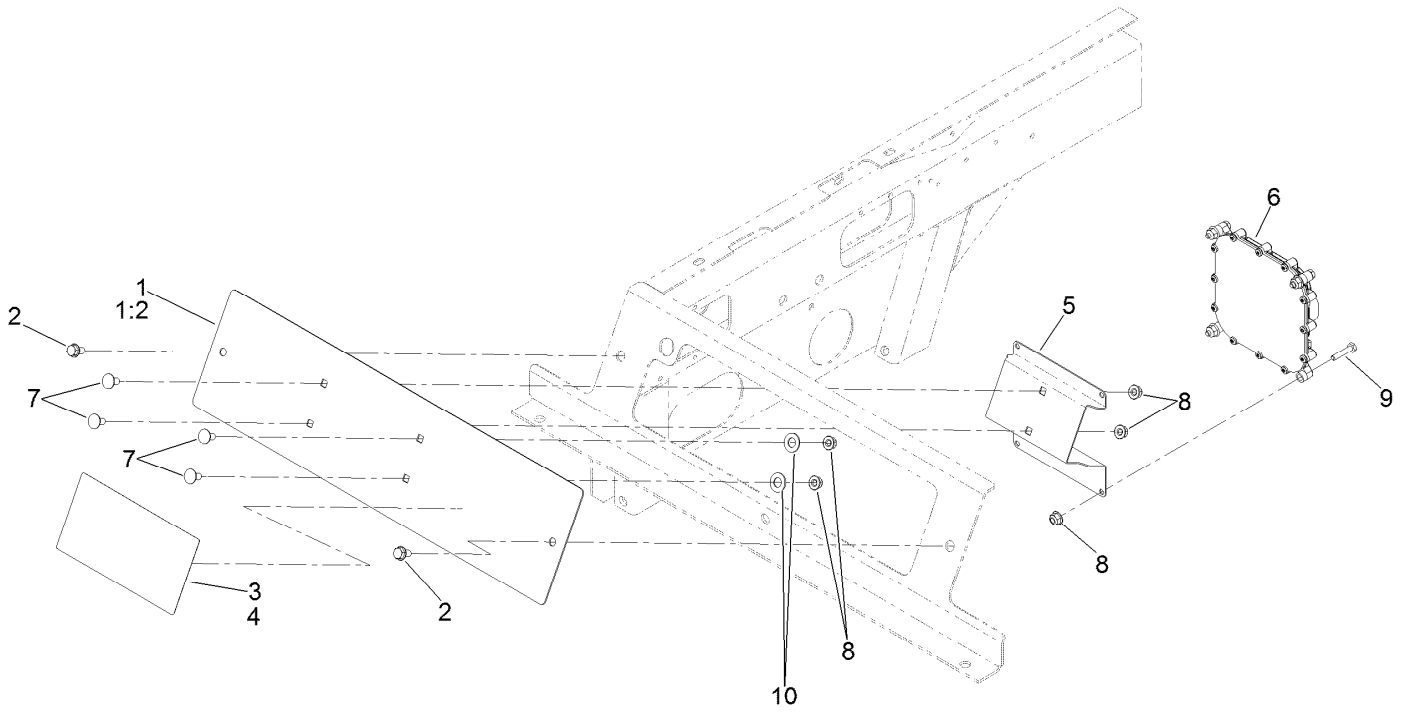
Electrical Assembly

<i>Ref.</i>	<i>Part Number</i>	<i>Qty.</i>	<i>Description</i>	<i>Ref.</i>	<i>Part Number</i>	<i>Qty.</i>	<i>Description</i>
1	122-1263	1	Harness-Wire, Main	3	122-1262	1	Harness-Wire, Pwr Ctr T4
1:24	32180-019	1	Cover-Fuse, Single	3:5	121-8861	3	Fuse-Mini Blade, 2 Amp
1:25	32180-156	1	Cap-Plug, 6 Way	3:6	121-8865	8	Fuse-Mini Blade, 7.5 Amp
1:26	32160-218	1	Connector-Mp630, 2M	3:7	121-8866	5	Fuse-Mini Blade, 10 Amp
1:27	32160-150	1	Connector-Molex, 16M	3:9	114-3342	1	Fuse-Maxi, 60 Amp
1:37	32180-091	1	Cap-Dust, 2 Way	6	33115-020	1	Screw-HH
1:38	122-1131	1	Capacitor-Sealed	7	33095-00	1	Washer-Flat
2	122-1264	1	Harness-Wire, Seat/Console	9	140-6990	2	Light-Work, LED
2:6	32180-282	1	Resistor-120 Ohm	10	3230-7	2	Bolt-CARR
2:10	32180-089	1	Cap-Plug, 3 Way	11	104-8300	2	Nut-HF, NI
2:11	32180-091	1	Cap-Dust, 2 Way	12	122-1130	1	Harness-Wire, Noise Reducer
2:12	32180-156	1	Cap-Plug, 6 Way				



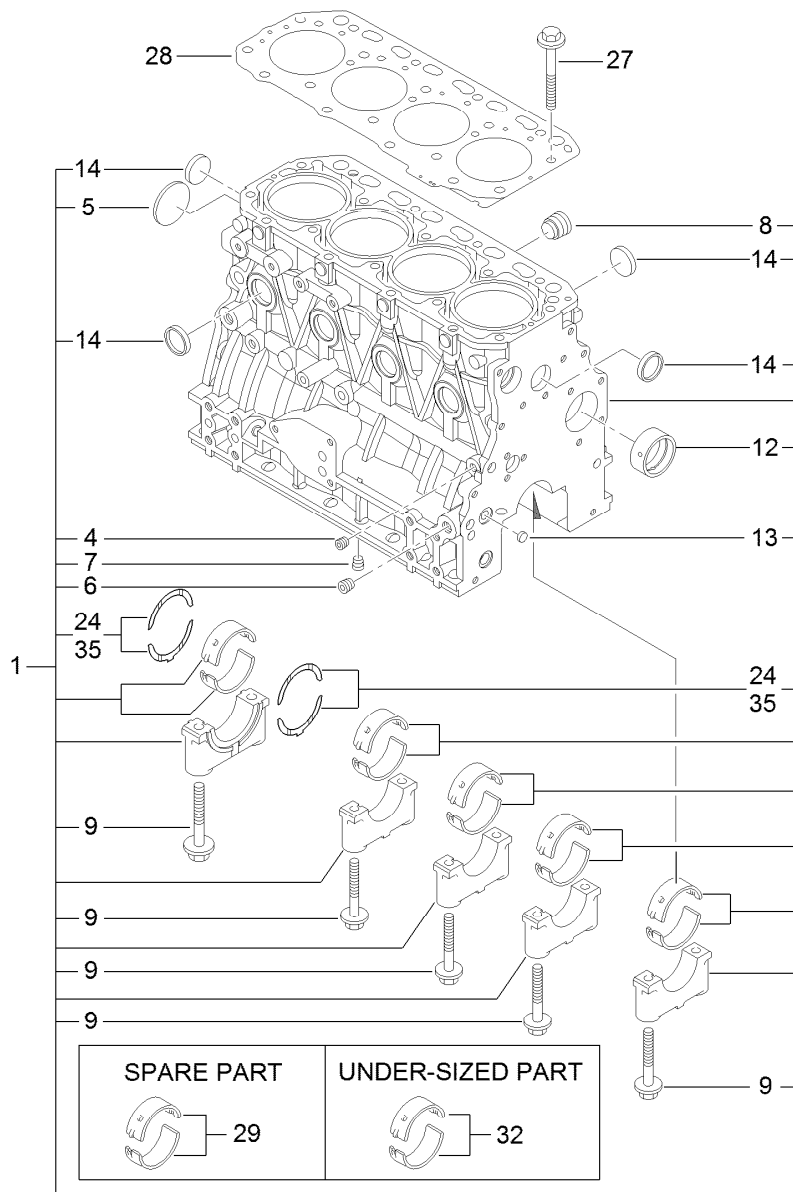
Engine Electrical Assembly

<i>Ref.</i>	<i>Part Number</i>	<i>Qty.</i>	<i>Description</i>
1	121-8853	1	Harness-Wire, Engine
1:13	100-4918	1	Diode
1:17	121-8891	1	Resistor (1.6K Ohm)
2	115-1930	1	Cable-Battery, Positive
3	108-9470	1	Harness-Wire, Fusible Link
4	33003-00	1	Nut-HF
5	33004-00	1	Nut-HF



Controller Assembly

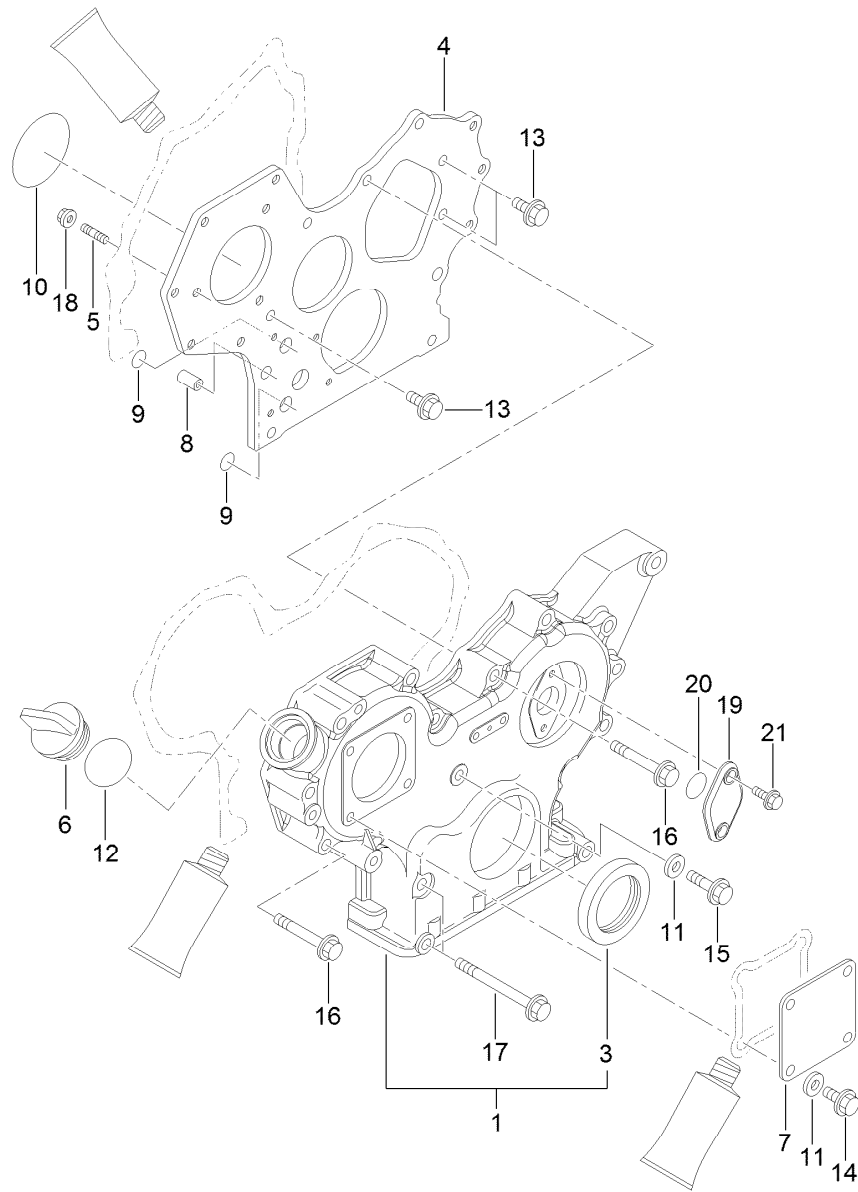
Ref.	Part Number	Qty.	Description
1	136-3322	1	Access Panel ASM
1:2	105-9860	2	Seal-Foam
2	3234-7	2	Screw-HHF
3	127-6447	1	Decal-Danger, CE (16 DEG)
4	112-5297	1	Decal-Danger
5	139-5992	1	Bracket-Controller
6	127-2770	1	Controller
7	3230-18	4	Screw-CARR
8	104-8300	8	Nut-HF, NI
9	321-8	4	Screw-HH
10	3256-25	2	Washer-Flat



Cylinder Block Assembly

<i>Ref.</i>	<i>Part Number</i>	<i>Qty.</i>	<i>Description</i>
1	125-7244	1	Cylinder Block ASM
4	125-6969	1	Plug
5	125-6980	1	Plug
6	125-6973	1	Plug
7	125-6973	1	Plug
8	125-7170	1	Plug
9	125-7007	10	Bolt
12	125-7108	1	Bushing

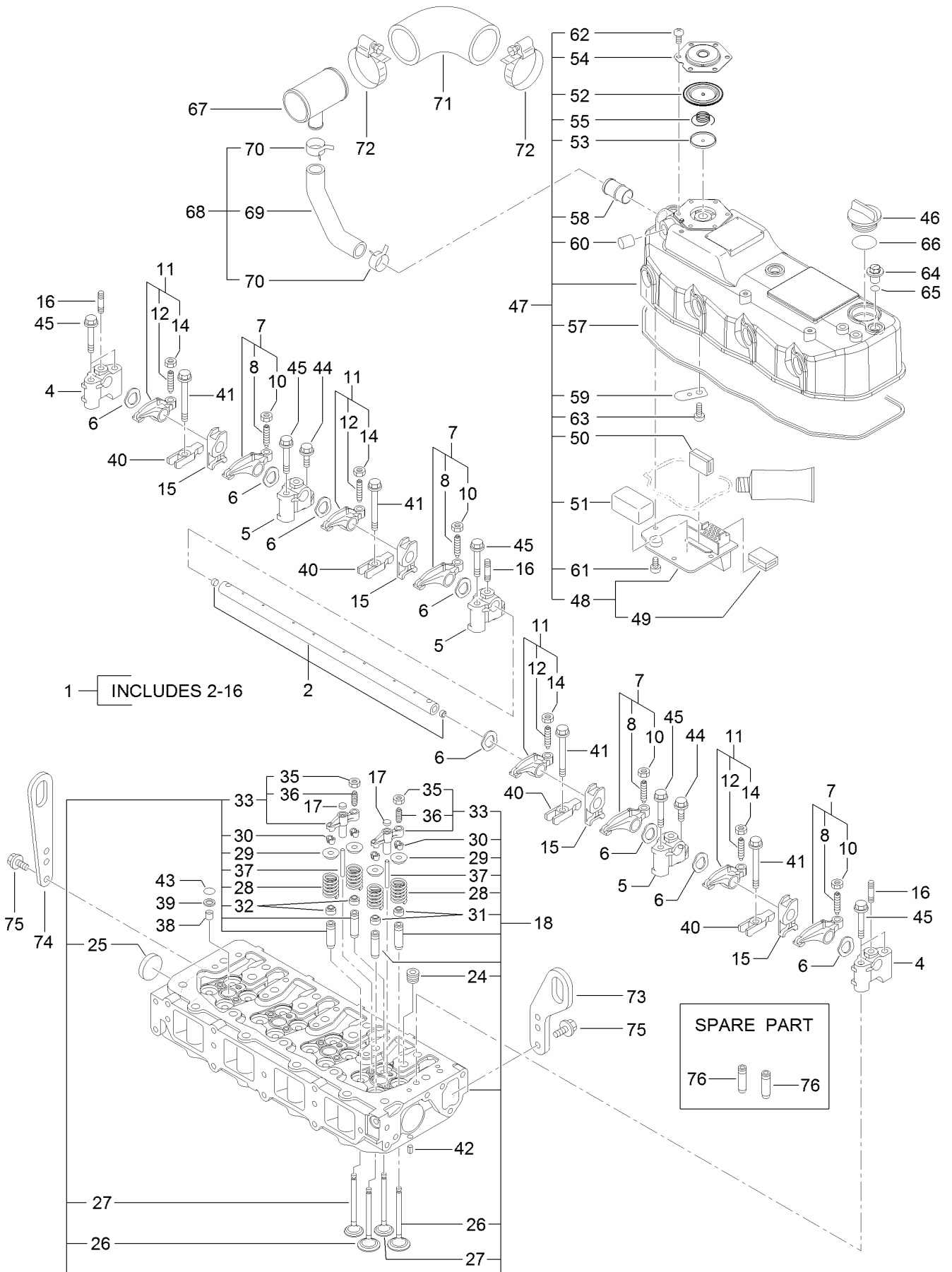
<i>Ref.</i>	<i>Part Number</i>	<i>Qty.</i>	<i>Description</i>
13	125-7237	2	Plug
14	125-7239	8	Plug
24	125-7010	2	Metal-Thrust
27	125-7006	18	Bolt
28	125-7049	1	Gasket-Head
29	125-6981	5	Metal-Main
32	125-7009	5	Metal-Main (0.25)
35	125-7011	1	Metal-Thrust (0.25)



Gear Housing Assembly

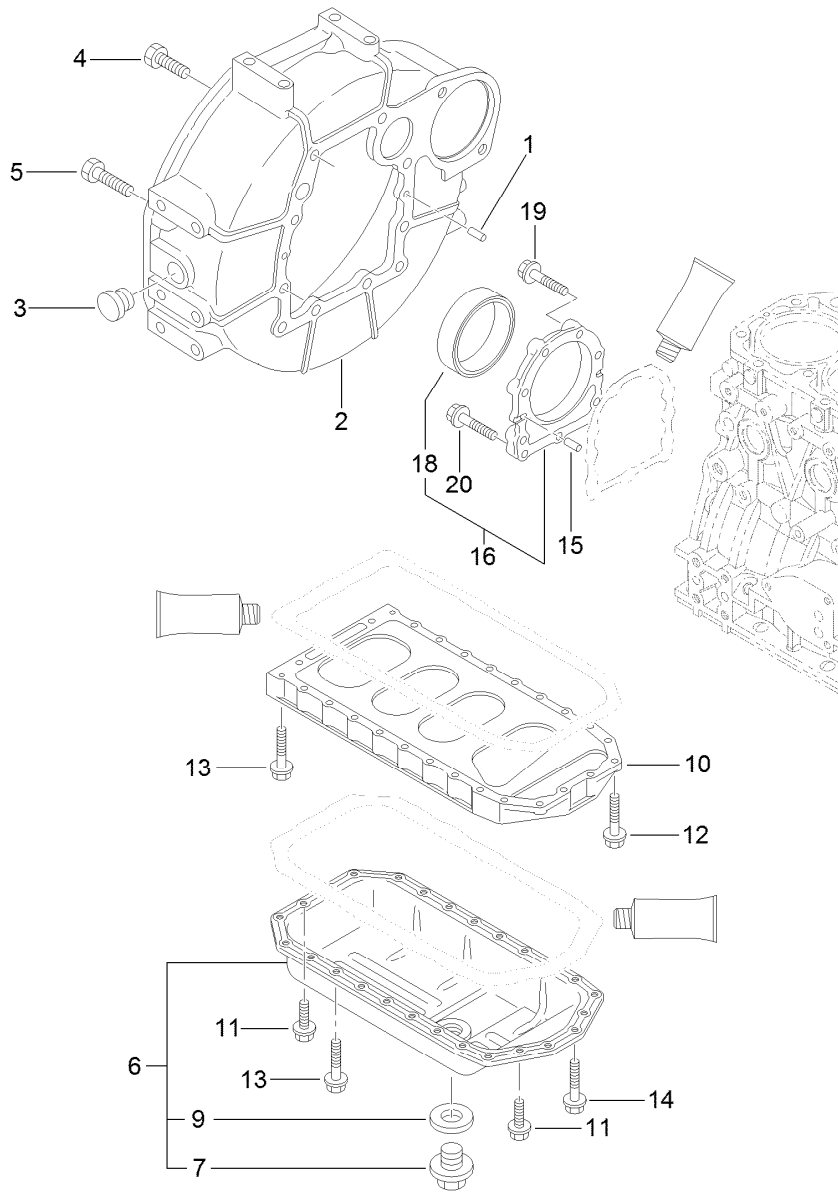
<i>Ref.</i>	<i>Part Number</i>	<i>Qty.</i>	<i>Description</i>	<i>Ref.</i>	<i>Part Number</i>	<i>Qty.</i>	<i>Description</i>
1	125-7247	1	Case ASM	12	125-7197	1	O-Ring
3	125-6944	1	Seal-Oil	13	125-7214	3	Bolt
4	125-6936	1	Flange	14	125-7214	4	Bolt
5	125-6919	3	Stud	15	125-7216	1	Bolt
6	125-6972	1	Cover-Filler	16	125-7221	12	Bolt
7	125-6977	1	Cover	17	125-7224	3	Bolt
8	125-7107	2	Pipe	18	125-7229	3	Nut
9	125-6909	2	O-Ring	19	125-6950	1	Cover
10	125-6957	1	O-Ring	20	125-7199	1	O-Ring
11	125-7174	5	Washer-Seal	21	125-7208	2	Bolt

Cylinder Head and Bonnet Assembly



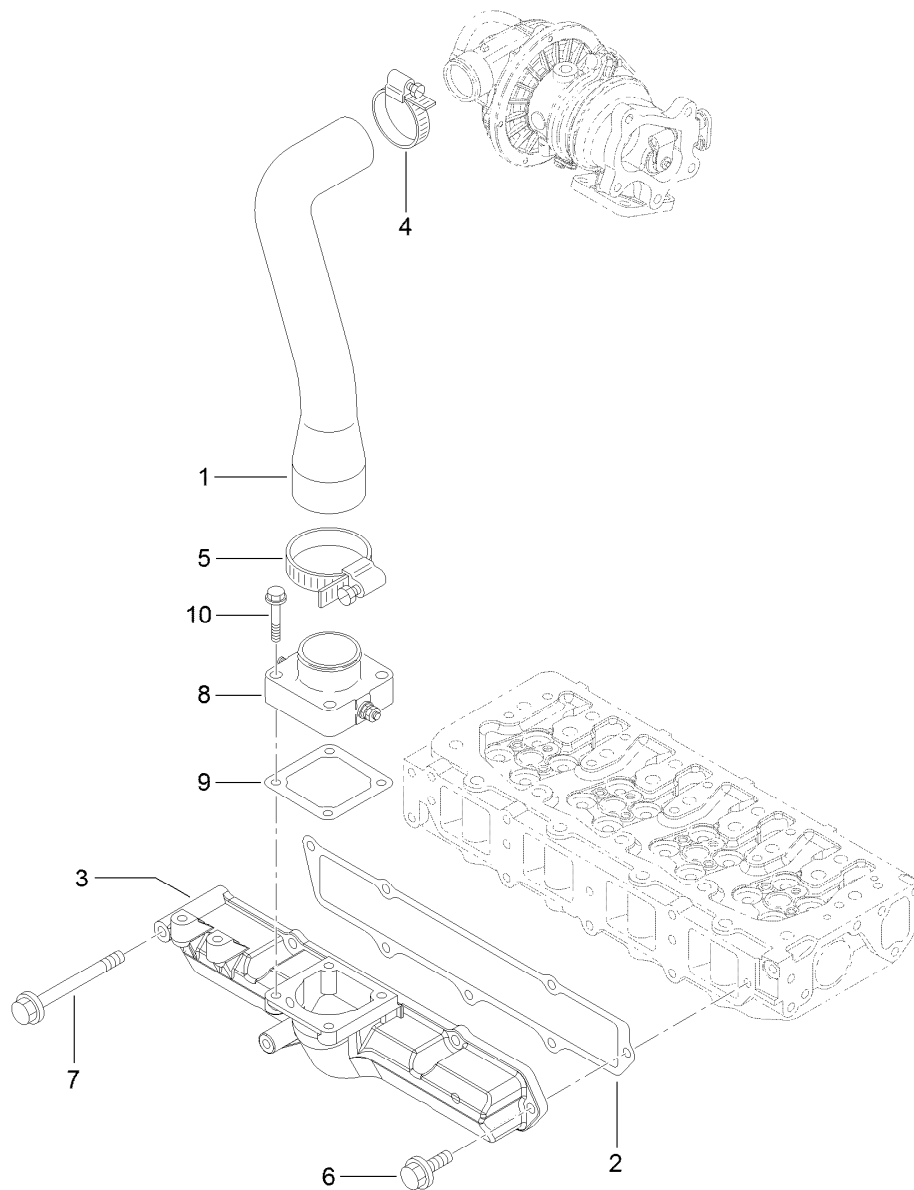
Cylinder Head and Bonnet Assembly (continued)

<i>Ref.</i>	<i>Part Number</i>	<i>Qty.</i>	<i>Description</i>	<i>Ref.</i>	<i>Part Number</i>	<i>Qty.</i>	<i>Description</i>
1	125-7055	1	Shaft ASM	43	93-0418	4	O-Ring
2	125-7056	1	Shaft	44	125-7215	3	Bolt
4	125-7057	2	Support	45	125-7220	7	Bolt
5	125-7058	3	Support	46	125-6972	1	Cover-Filler
6	125-7059	8	Washer	47	125-7099	1	Bonnet ASM
7	125-7061	4	Arm-Rocker	48	125-7050	1	Plate
8	125-7013	4	Screw-Adjust, Valve	49	125-6920	1	Baffle
10	125-7014	4	Nut	50	125-7012	1	Baffle
11	125-7062	4	Arm-Rocker	51	125-7118	1	Baffle-Breather
12	125-7013	4	Screw-Adjust, Valve	52	125-6959	1	Diaphragm
14	125-7014	4	Nut	53	125-6960	1	Plate
15	125-7593	1	Retainer	54	125-6961	1	Plate-Breather
16	125-7228	3	Stud	55	125-6962	1	Spring-Diaphragm
17	125-6963	8	Seat-Bridge, Valve	57	125-7060	1	Gasket
18	125-7089	1	Cylinder Head ASM	58	125-6982	1	Pipe
24	125-7196	4	Plug	59	125-6994	1	Spring
25	125-7240	2	Plug	60	125-6913	1	Plug
26	125-7051	8	Valve	61	125-7186	4	Screw
27	125-7052	8	Valve	62	125-7186	6	Screw
28	125-7053	16	Spring	63	125-7186	1	Screw
29	125-7054	16	Retainer	64	125-6974	3	Knob
30	125-6914	32	Cotter	65	93-0418	3	O-Ring
31	125-6915	8	Seal-Stem, Valve	66	125-7197	1	O-Ring
32	125-6916	8	Seal-Stem, Valve	67	125-7086	1	Joint
33	125-7104	8	Bridge ASM	68	125-7087	1	Hose ASM
35	125-7014	8	Nut	69	125-7088	1	Hose
36	125-6965	8	Adjuster	70	125-7040	2	Clip-Hose
37	125-7063	8	Guide	71	125-7090	1	Hose
38	125-6921	4	Protector	72	125-7190	2	Clamp-Hose
39	125-6911	4	Seat-Valve	73	125-7046	1	Lifter
40	125-7064	4	Retainer	74	125-7111	1	Lifter
41	125-7119	4	Bolt	75	125-7214	4	Bolt
42	125-7184	2	Pin-Spring	76	125-6917	16	Guide



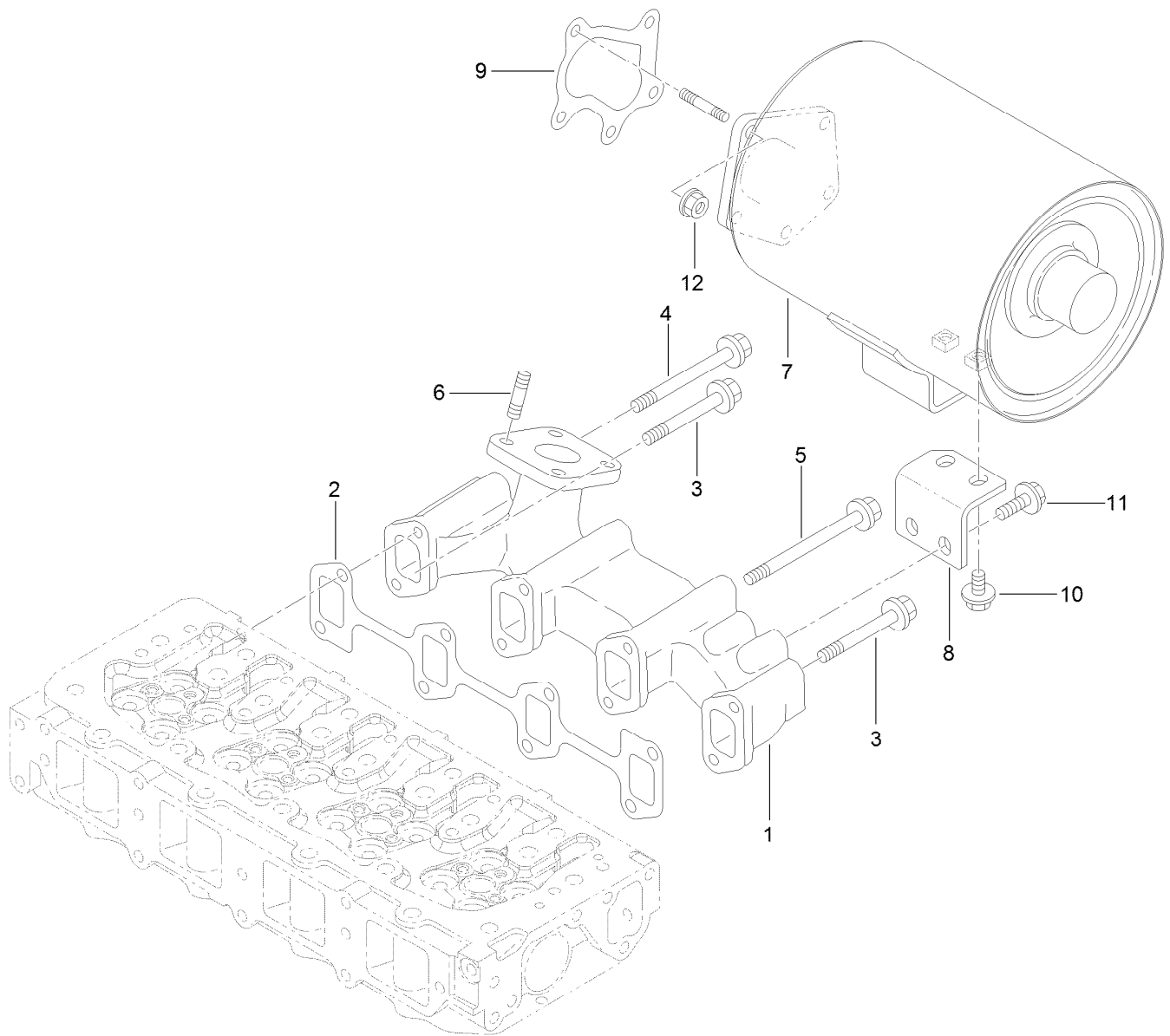
Flywheel Housing and Oil Sump Assembly

<i>Ref.</i>	<i>Part Number</i>	<i>Qty.</i>	<i>Description</i>	<i>Ref.</i>	<i>Part Number</i>	<i>Qty.</i>	<i>Description</i>
1	125-6995	2	Pin	11	125-7214	4	Bolt
2	125-7100	1	Housing	12	125-7215	2	Bolt
3	125-6910	1	Cap	13	125-7219	20	Bolt
4	125-7226	6	Bolt	14	125-7220	4	Bolt
5	125-7227	4	Bolt	15	125-6995	2	Pin
6	125-7241	1	Oil Sump ASM	16	125-6996	1	Case ASM
7	125-6912	1	Plug-Drain	18	125-7106	1	Seal-Oil
9	125-7177	1	Washer-Seal	19	125-7045	6	Bolt
10	125-7035	1	Spacer	20	125-7217	3	Bolt



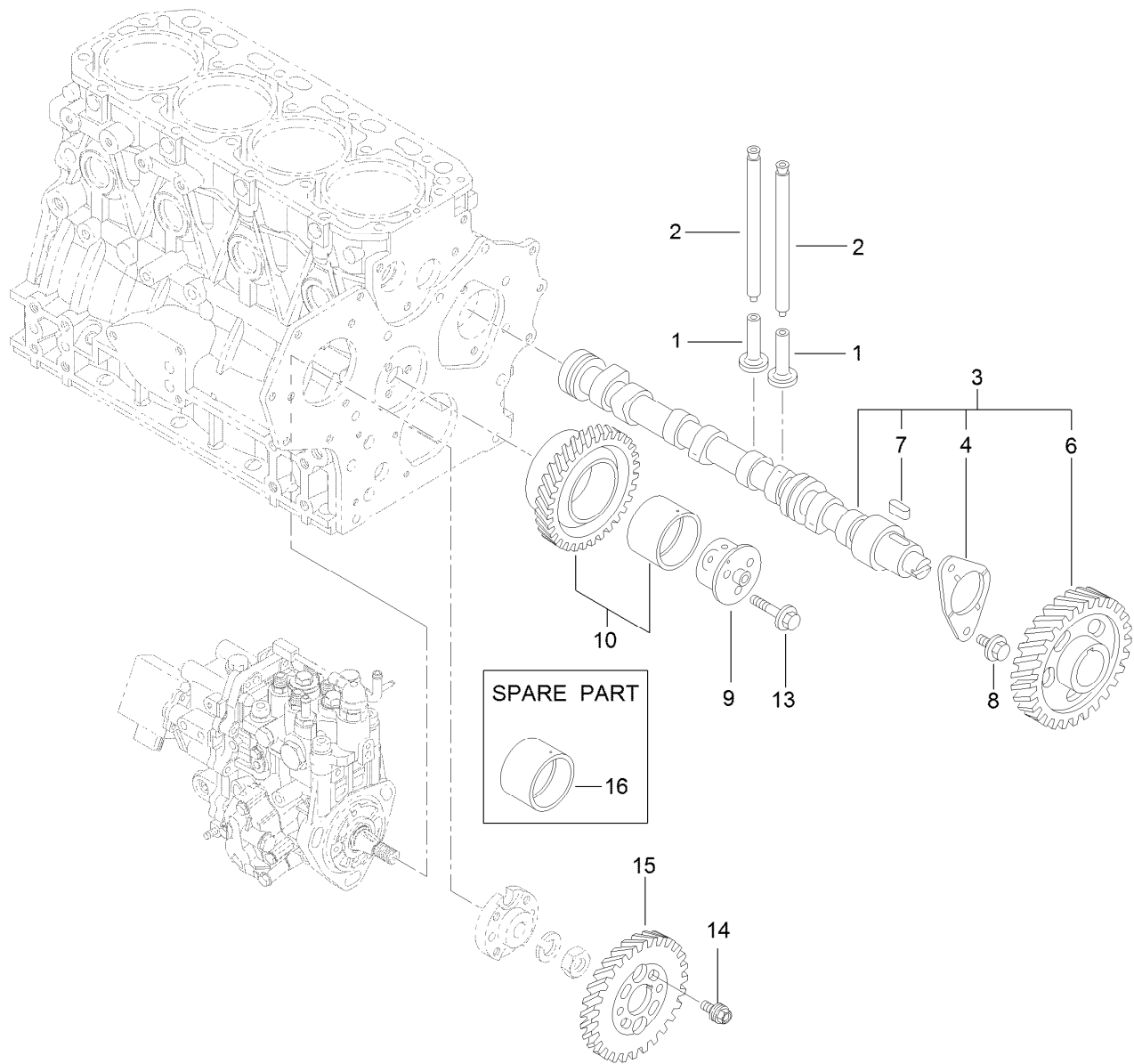
Suction Manifold Assembly

Ref.	Part Number	Qty.	Description
1	125-7065	1	Pipe
2	125-7066	1	Gasket
3	125-7067	1	Manifold-Intake
4	125-7189	1	Clamp-Hose
5	125-7190	1	Clamp-Hose
6	125-7595	6	Bolt
7	125-7223	1	Bolt
8	125-7002	1	Heater
9	125-7028	1	Gasket
10	125-7217	4	Bolt



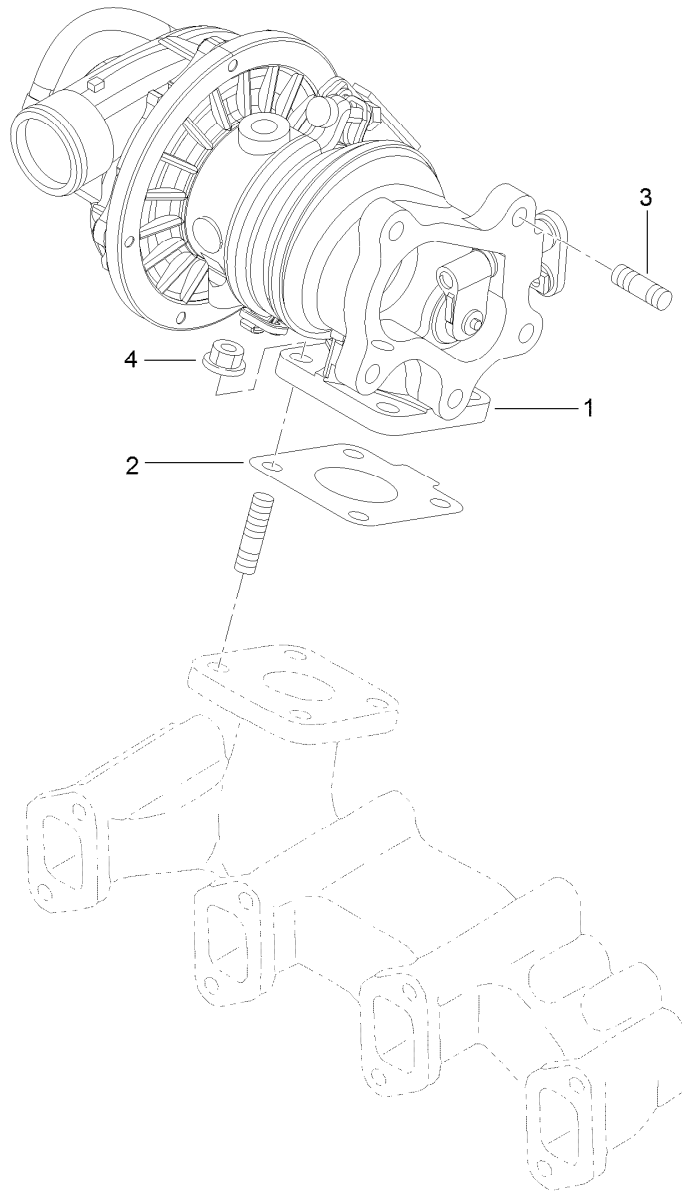
Exhaust Manifold and Silencer Assembly

<i>Ref.</i>	<i>Part Number</i>	<i>Qty.</i>	<i>Description</i>
1	125-7093	1	Manifold-Exhaust
2	125-7096	1	Gasket
3	125-6922	3	Bolt
4	125-6923	1	Bolt
5	125-6924	4	Bolt
6	125-6906	4	Stud
7	125-7094	1	Silencer
8	125-7095	1	Support-Silencer
9	125-7071	1	Gasket
10	125-7213	2	Bolt
11	125-7595	2	Bolt
12	125-7229	5	Nut



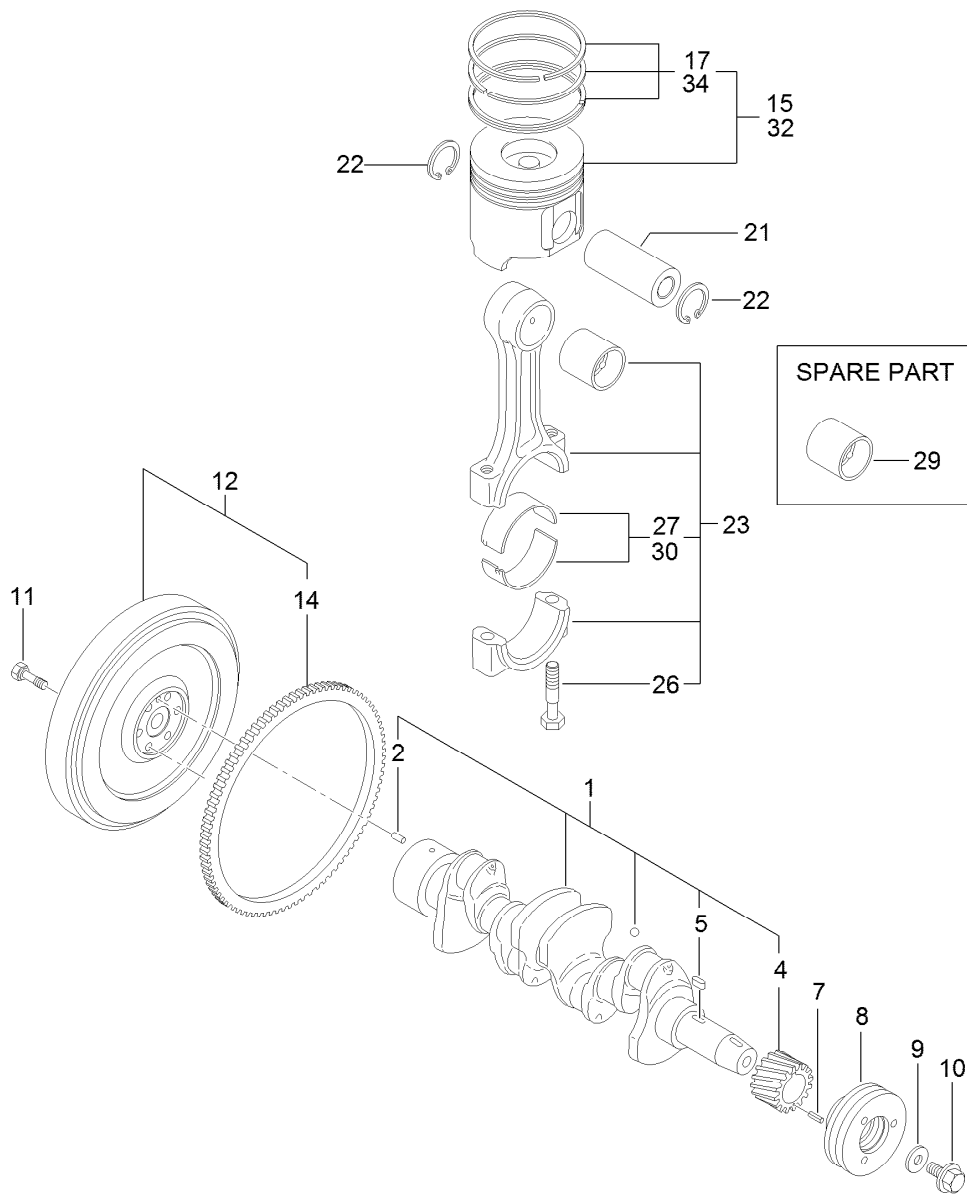
Camshaft and Driving Gear Assembly

Ref.	Part Number	Qty.	Description
1	125-7016	8	Tappet
2	125-7017	8	Rod-Push
3	125-7068	1	Camshaft ASM
4	125-7008	1	Metal-Thrust
6	125-7015	1	Gear
7	125-7185	1	Key
8	125-7213	2	Bolt
9	125-6938	1	Shaft
10	125-6928	1	Gear ASM
13	125-7218	3	Bolt
14	125-7020	4	Bolt
15	125-6929	1	Gear
16	125-6927	1	Bushing



Turbine Assembly

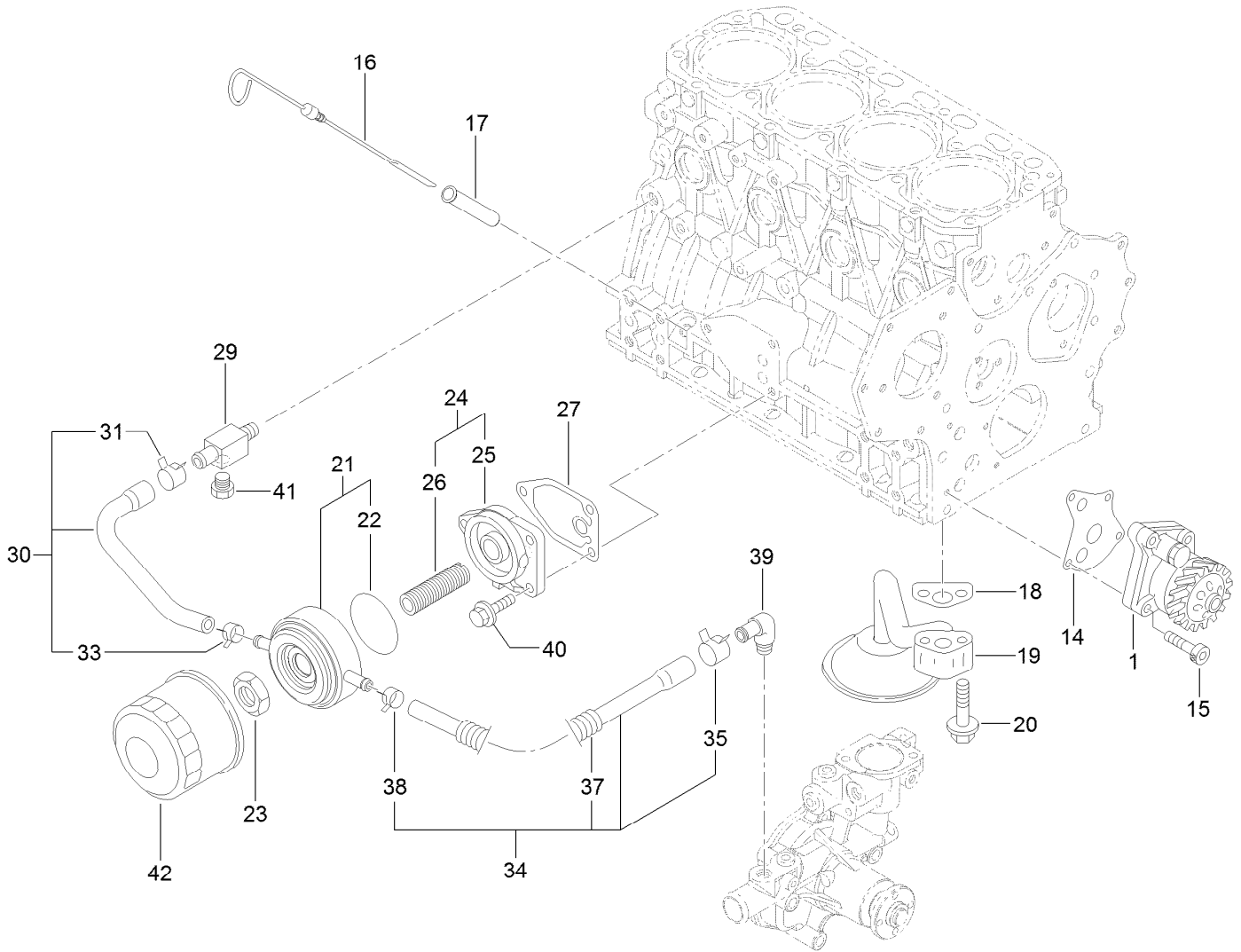
<i>Ref.</i>	<i>Part Number</i>	<i>Qty.</i>	<i>Description</i>
1	125-7069	1	Turbine
2	125-7070	1	Gasket
3	125-7043	5	Stud
4	125-7229	4	Nut



Crankshaft and Piston Assembly

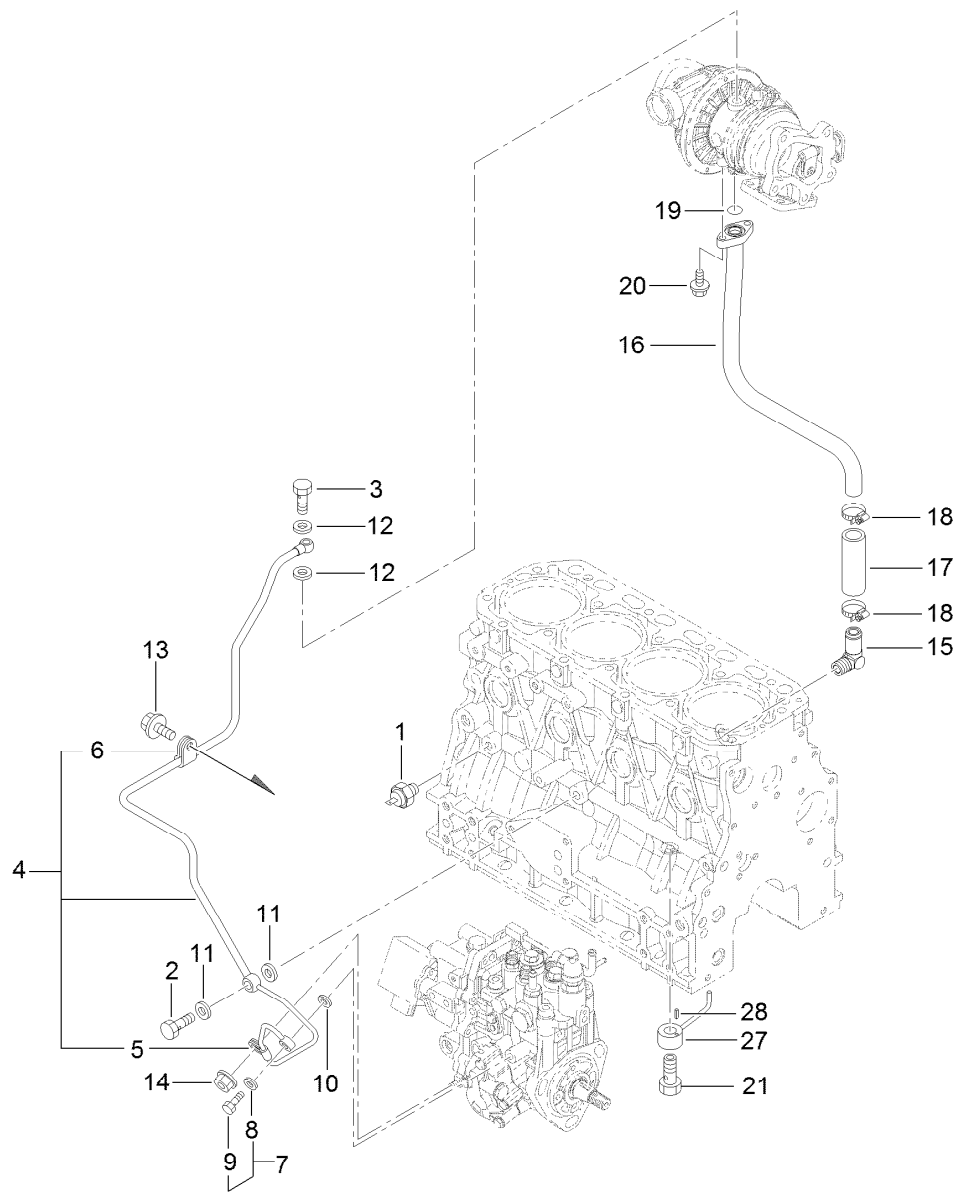
<i>Ref.</i>	<i>Part Number</i>	<i>Qty.</i>	<i>Description</i>
1	125-7091	1	Crankshaft ASM
2	125-6995	1	Pin
4	125-6937	1	Gear
5	125-7185	1	Key
7	125-7182	1	Pin-Spring
8	125-6925	1	V-Pulley
9	125-7109	1	Washer
10	125-6956	1	Bolt
11	125-6951	6	Bolt
12	125-7172	1	Flywheel ASM
14	125-6943	1	Gear

<i>Ref.</i>	<i>Part Number</i>	<i>Qty.</i>	<i>Description</i>
15	125-7072	4	Piston ASM
17	125-6983	4	Piston Ring Set
21	125-7030	4	Pin
22	125-7180	8	Ring
23	125-7242	4	Connecting Rod ASM
26	125-6955	8	Bolt
27	125-7018	4	Pin-Crank
29	125-6997	4	Pin-Piston
30	125-7019	4	Pin-Crank (.25)
32	125-7073	4	Piston ASM (0.25 Os)
34	125-6985	4	Piston Ring Set (.25)



Lubrication and Oil System Assembly

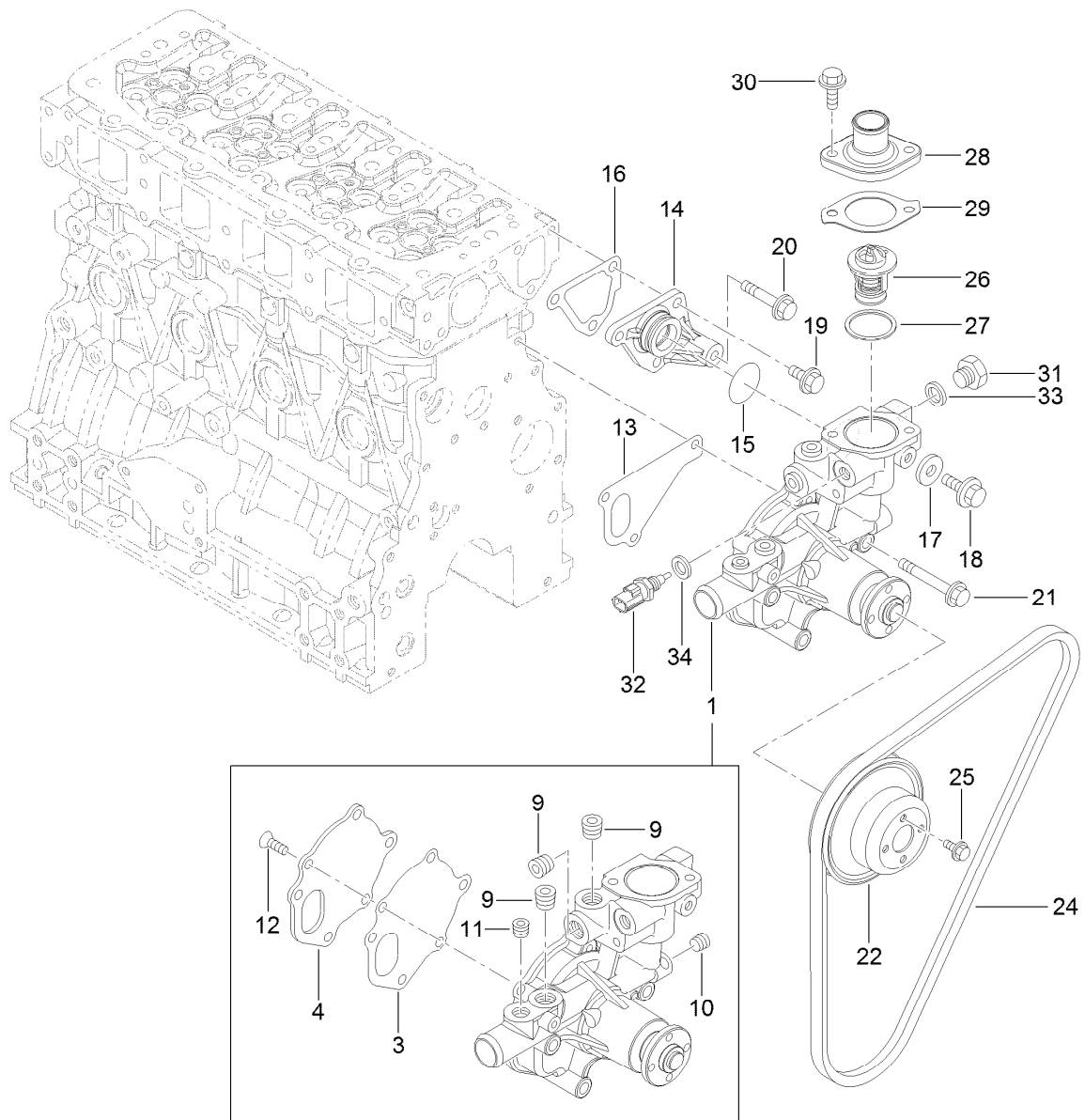
<i>Ref.</i>	<i>Part Number</i>	<i>Qty.</i>	<i>Description</i>	<i>Ref.</i>	<i>Part Number</i>	<i>Qty.</i>	<i>Description</i>
1	125-7044	1	Oil Pump ASM	27	125-7024	1	Gasket
14	125-7021	1	Gasket	29	125-6990	1	Joint
15	125-7232	4	Bolt	30	125-7078	1	Pipe ASM
16	125-6987	1	Dipstick	31	125-7162	1	Clip
17	125-6954	1	Guide-Dipstick	33	125-7191	1	Clamp-Hose
18	125-7022	1	Gasket	34	125-7079	1	Pipe ASM
19	125-7023	1	Pipe ASM	35	125-7162	1	Clip
20	125-7217	2	Bolt	37	125-6946	1	Tube
21	125-7074	1	Cooler ASM	38	125-7191	1	Clamp-Hose
22	125-7075	1	O-Ring	39	125-7001	1	Elbow
23	125-7041	1	Nut-Cooler, Oil	40	125-7595	3	Bolt
24	125-6989	1	Bracket ASM	41	125-7171	1	Plug-Drain
25	125-6930	1	Bracket	42	125-7025	1	Filter-Engine, Oil
26	125-7042	1	Stud				



Lubrication Oil Line Assembly

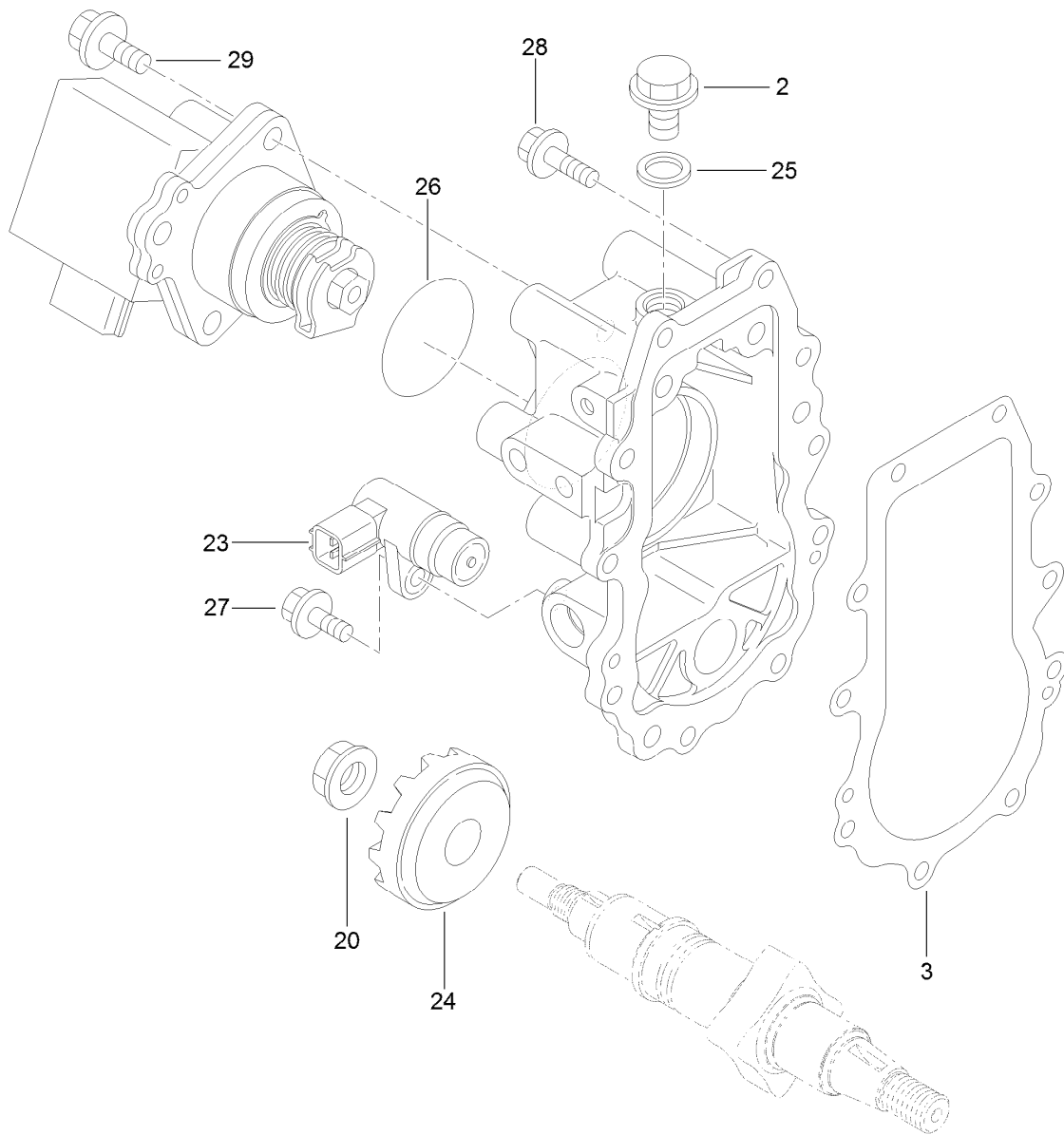
Ref.	Part Number	Qty.	Description
1	125-6918	1	Switch-Oil
2	125-6975	1	Bolt-Joint, Pipe
3	125-6952	1	Bolt-Joint, Pipe
4	125-7076	1	Pipe ASM
5	125-6931	1	Retainer
6	125-6976	1	Retainer
7	125-6988	1	Joint Bolt ASM
8	125-7174	1	Washer-Seal
9	125-7194	1	Bolt-Joint
10	125-7174	1	Washer-Seal
11	125-7175	2	Washer-Seal
12	125-7193	2	Gasket

Ref.	Part Number	Qty.	Description
13	125-7212	1	Bolt
14	125-7231	1	Nut
15	125-6971	1	Elbow
16	125-7077	1	Pipe
17	125-6958	1	Hose
18	125-7188	2	Clamp-Hose
19	125-7198	1	O-Ring
20	125-7208	2	Bolt
21	125-7105	4	Check Valve ASM
27	125-7098	4	Nozzle
28	125-7182	4	Pin-Spring



Cooling Water System Assembly

Ref.	Part Number	Qty.	Description	Ref.	Part Number	Qty.	Description
1	125-7031	1	CW Pump ASM	20	125-7219	1	Bolt
3	125-6998	1	Gasket	21	125-7222	3	Bolt
4	125-6999	1	Plate	22	125-7039	1	V-Pulley
9	125-7123	3	Plug	24	125-7204	1	V-Belt
10	125-7195	1	Plug	25	125-7206	4	Bolt
11	125-7196	1	Plug	26	125-7029	1	Thermostat
12	125-7234	3	Screw	27	125-7026	1	Gasket
13	125-7047	1	Gasket	28	125-7034	1	Cover
14	125-6986	1	Joint	29	125-7110	1	Gasket
15	125-7048	1	O-Ring	30	125-7594	2	Bolt
16	125-6978	1	Gasket	31	125-6953	1	Plug
17	125-7192	1	Gasket	32	125-7124	1	Sensor-Thermostat, CW
18	125-7212	1	Bolt	33	125-6979	1	Gasket
19	125-7214	3	Bolt	34	125-7176	1	Washer-Seal

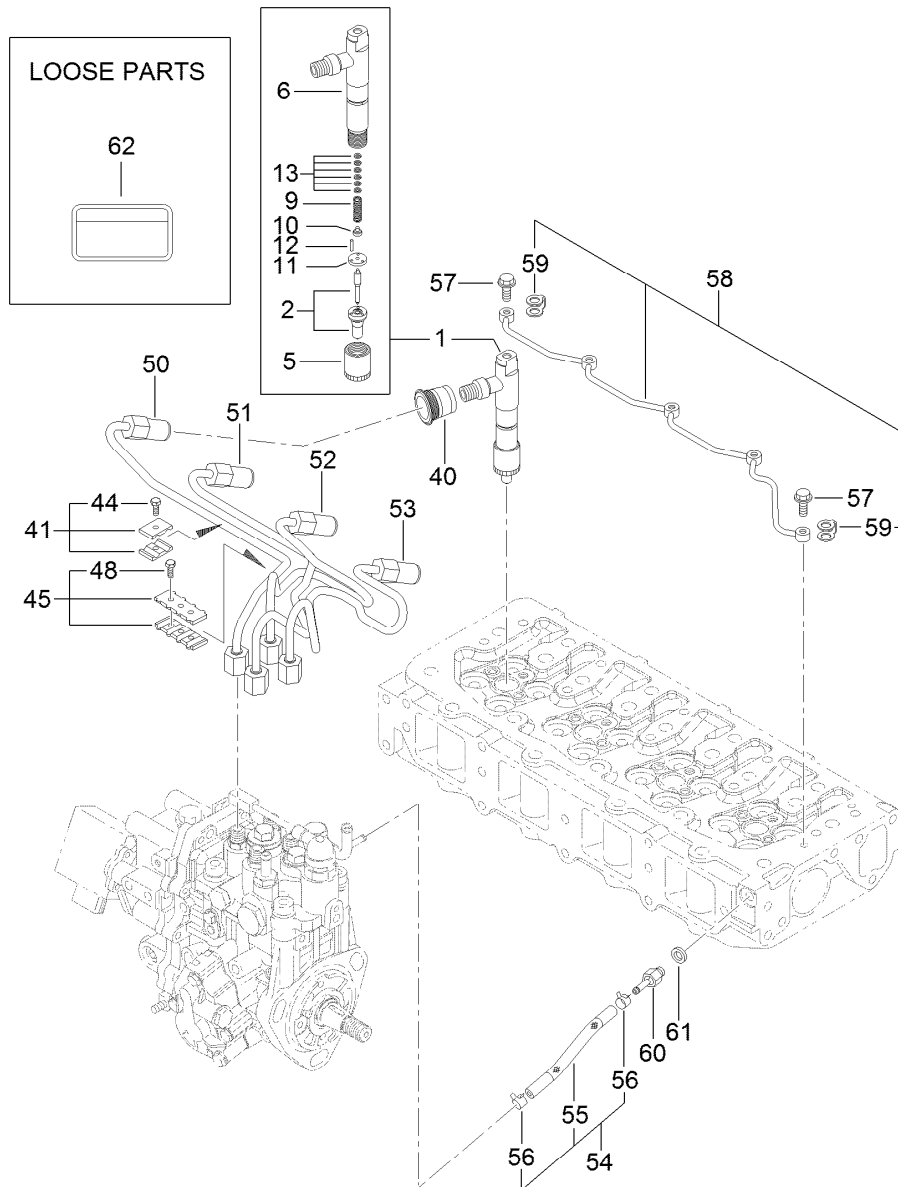


Governor Assembly

<i>Ref.</i>	<i>Part Number</i>	<i>Qty.</i>	<i>Description</i>
2	125-7148	1	Plug
3	125-7149	1	Gasket
20	125-6993	1	Nut
23	125-7152	1	Sensor
24	125-7150	1	Gear
25	125-7176	1	Washer-Seal
26	125-7200	1	O-Ring
27	125-7208	1	Bolt
28	125-7209	10	Bolt
29	125-7215	3	Bolt

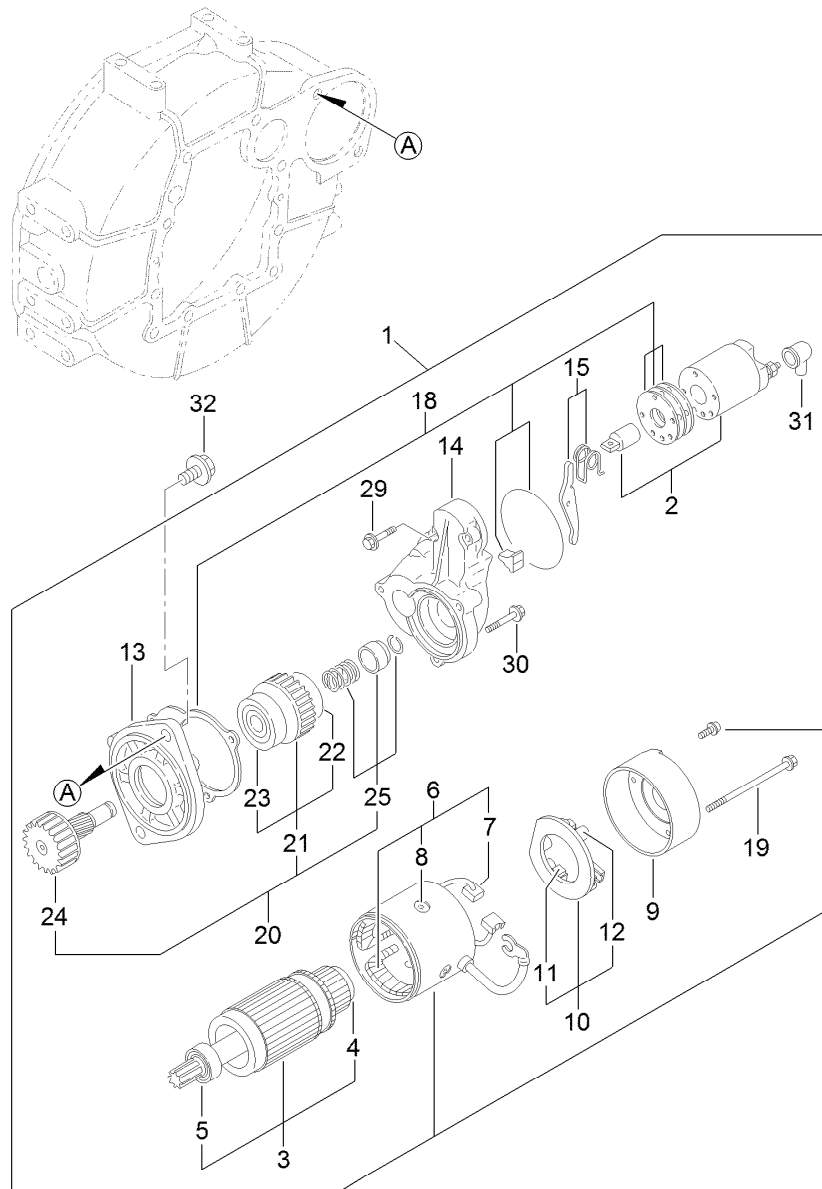
Fuel Injection Pump Assembly (continued)

<i>Ref.</i>	<i>Part Number</i>	<i>Qty.</i>	<i>Description</i>	<i>Ref.</i>	<i>Part Number</i>	<i>Qty.</i>	<i>Description</i>
1	125-7246	1	Fie ASM	106	125-7176	1	Washer-Seal
10	125-6991	1	Cover	107	125-7591	1	Washer-Seal
11	125-6992	2	Bolt	108	125-7147	4	Bolt
12	125-6932	1	Key	111	125-7142	1	O-Ring
15	125-7135	1	Flange	112	125-7143	1	O-Ring
39	125-7156	1	Stopper	113	125-7176	2	Washer-Seal
40	125-7154	1	O-Ring	114	125-7179	1	Washer-Spring
41	125-7154	1	O-Ring	115	125-7181	2	Pin-Parallel
42	125-7092	4	Valve ASM	116	125-7183	2	Pin-Spring
51	125-7155	4	Spring	118	93-0400	1	O-Ring
59	125-7157	1	Plug	119	125-7201	1	O-Ring
60	125-6933	1	Plug	120	125-7202	1	O-Ring
61	125-7136	4	Gasket	121	125-7205	1	Bolt
62	125-7136	1	Gasket	123	125-7233	4	Bolt
63	125-7151	1	Plug	124	125-7236	1	Nut
64	125-7137	1	Lifter	127	125-7125	1	Harness ASM
65	125-7102	1	Timer Set	128	125-7126	1	Harness
66	125-7103	1	Timer ASM	129	125-7033	1	Cap
69	125-7145	1	O-Ring	130	125-7158	1	Joint
70	125-6934	1	Ring	131	125-7127	1	Bracket
71	125-6935	1	O-Ring	132	125-7139	1	Joint
72	125-7202	1	O-Ring	134	125-7141	1	Feed Pump ASM
73	125-7203	1	Ring-Back Up	135	125-7144	1	O-Ring
74	125-7138	1	Gasket	136	125-6945	1	Joint
75	125-6940	1	Spring	137	125-7176	1	Washer-Seal
76	125-6941	1	Cap	138	125-7178	1	Washer-Spring
78	125-6942	1	Solenoid Valve ASM	139	125-7207	1	Bolt
81	125-7146	1	Gasket	140	125-7235	1	Nut
101	125-7159	1	Piston	141	125-7238	1	Plug
102	125-7140	1	Spring	143	125-7032	1	Retainer
103	125-7160	1	Plug	144	125-7214	4	Bolt
105	125-7148	1	Plug				



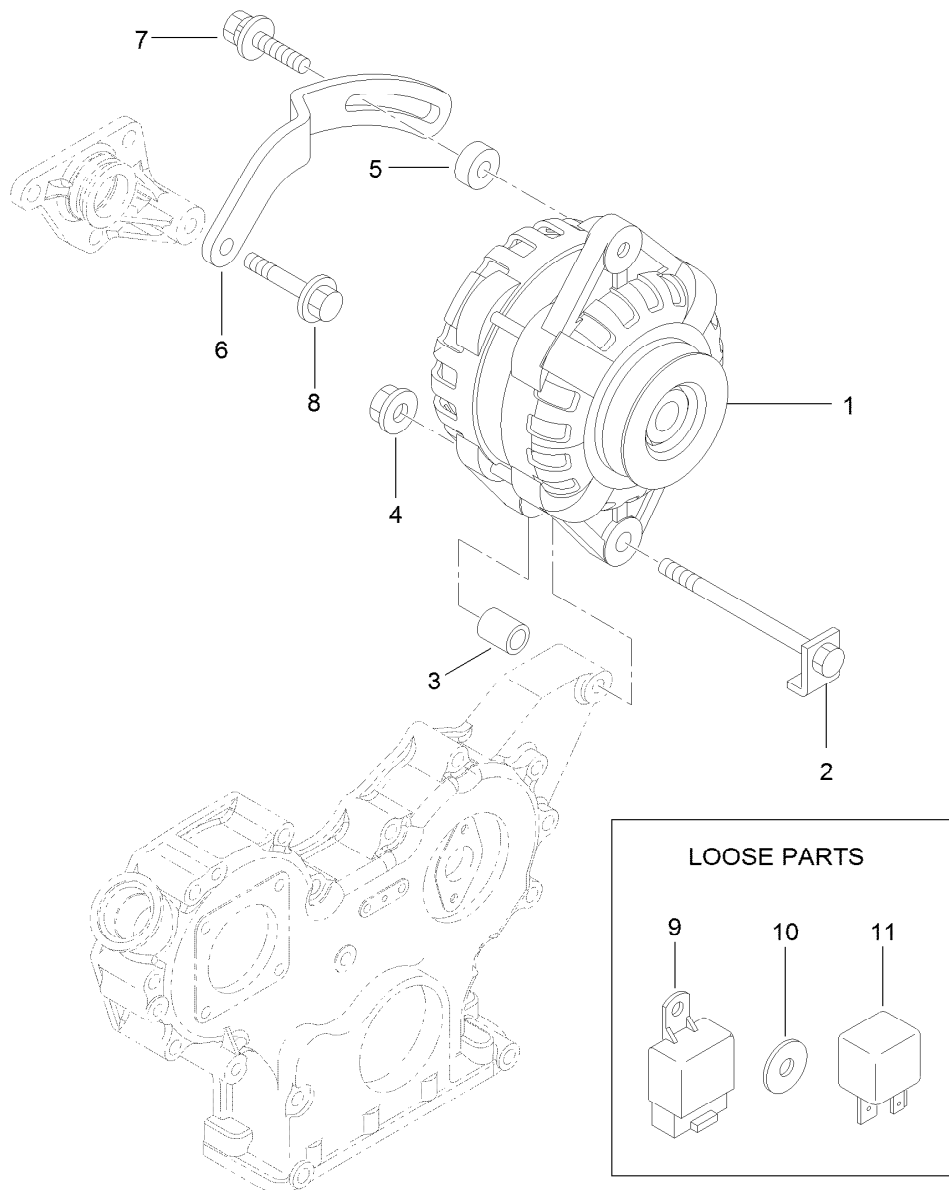
Fuel Injection Valve Assembly

Ref.	Part Number	Qty.	Description	Ref.	Part Number	Qty.	Description
1	125-7245	4	Injection Valve ASM	50	125-7082	1	Injection Pipe ASM
2	125-7133	4	Nozzle ASM	51	125-7083	1	Injection Pipe ASM
5	125-6901	4	Nut	52	125-7084	1	Injection Pipe ASM
6	125-7080	4	Holder ASM	53	125-7085	1	Injection Pipe ASM
9	125-6902	4	Spring	54	125-6948	1	Pipe ASM
10	125-6903	4	Seat-Spring	55	125-6949	1	Pipe
11	125-6904	4	Plate	56	125-6970	2	Clip
12	125-6905	8	Pin	57	125-6966	5	Bolt-Joint, Pipe
13	125-6939	4	Shim Set	58	125-7081	1	Pipe ASM
40	125-6964	4	Seal	59	125-6967	5	Gasket
41	125-6907	2	Retainer	60	125-6968	1	Joint
44	125-7027	2	Bolt	61	125-7174	1	Washer-Seal
45	125-7097	1	Retainer	62	125-6900	1	Label-Caution, Fuel Oil
48	125-7027	2	Bolt				



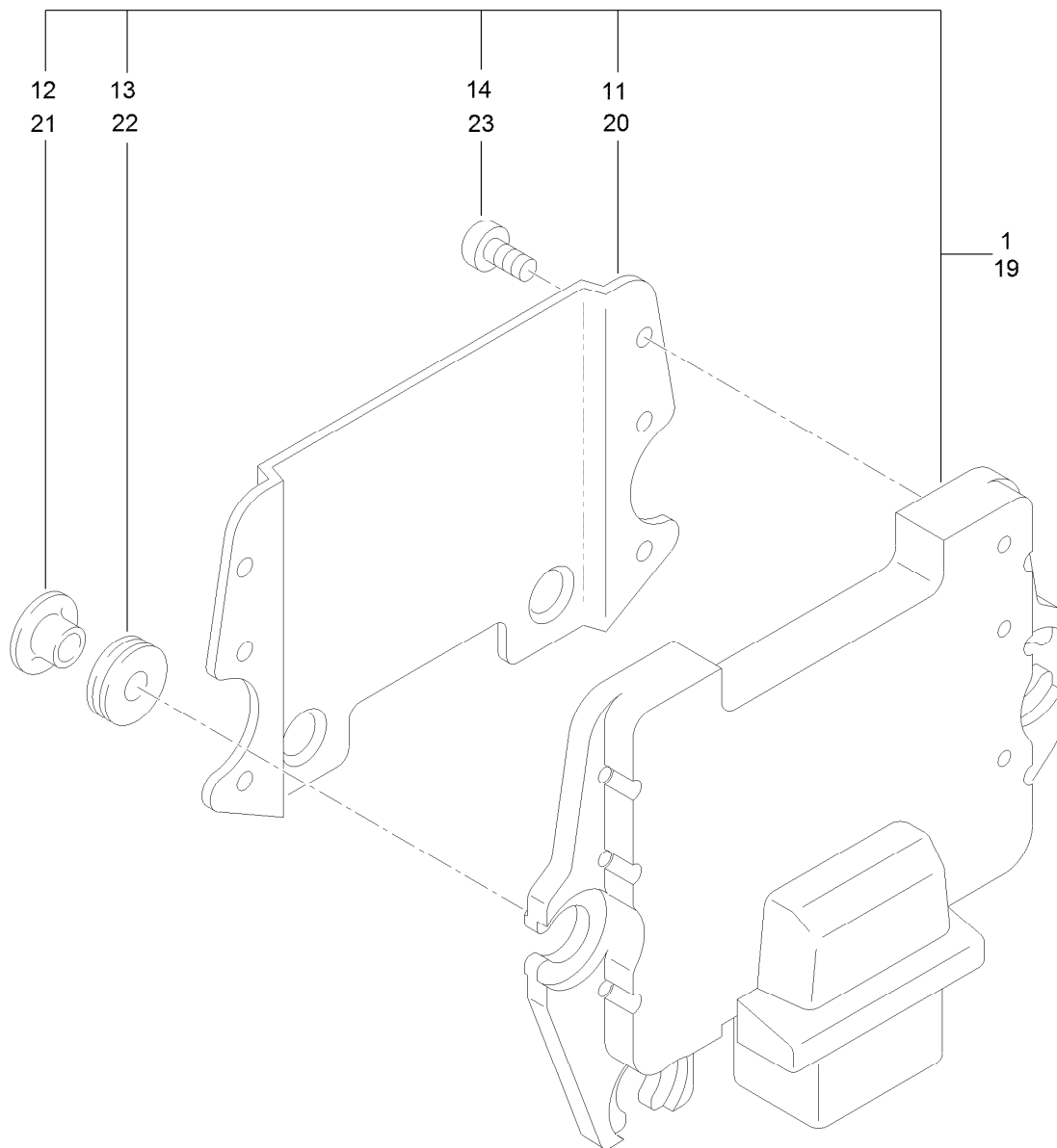
Starting Motor Assembly

<i>Ref.</i>	<i>Part Number</i>	<i>Qty.</i>	<i>Description</i>	<i>Ref.</i>	<i>Part Number</i>	<i>Qty.</i>	<i>Description</i>
1	125-7003	1	Starter	15	125-7165	1	Lever Set
2	125-7004	1	Switch ASM	18	125-7037	1	Dust Cover ASM
3	125-7112	1	Armature ASM	19	125-7117	2	Bolt-Through
4	125-7252	1	Bearing-Ball	20	125-7166	1	Pinion ASM
5	125-7249	1	Bearing, Ball	21	125-7250	1	Clutch ASM
6	125-7113	1	Field Coil ASM	22	125-7251	1	Bearing-Ball
7	125-7114	2	Brush	23	125-7253	1	Bearing-Ball
8	125-7163	4	Screw	24	125-7167	1	Shaft
9	125-7115	1	Cover	25	125-7168	1	Stopper Set
10	125-7116	1	Brush Holder ASM	29	125-7210	2	Bolt
11	125-7114	2	Brush	30	125-7211	3	Bolt
12	125-7036	4	Spring	31	125-7169	1	Cover
13	125-7164	1	Case-Gear	32	125-7225	2	Bolt
14	125-7005	1	Housing				



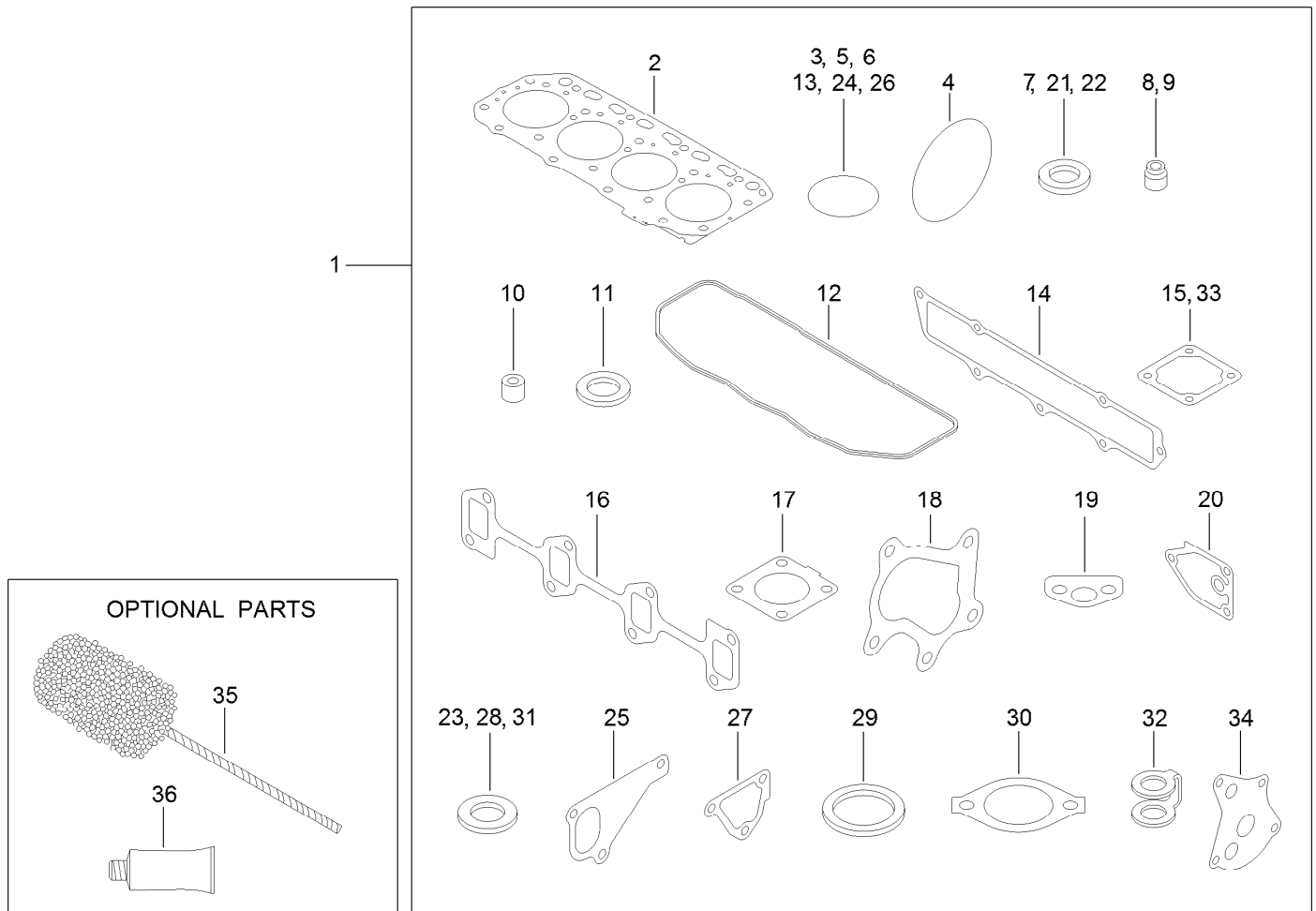
Generator Assembly

Ref.	Part Number	Qty.	Description
1	125-7120	1	Alternator-12V
2	125-7121	1	Bolt-Stopper
3	125-7122	1	Piece-Distance
4	125-7230	1	Nut
5	125-6947	1	Spacer
6	125-7101	1	Adjuster-Belt
7	125-7134	1	Bolt
8	125-7219	1	Bolt
9	125-7173	2	Relay
10	125-7131	3	Washer
11	125-7132	2	Relay



Electronic Control Unit Assembly

<i>Ref.</i>	<i>Part Number</i>	<i>Qty.</i>	<i>Description</i>
1	135-4281	1	Ecu
11	125-7129	1	Shield
12	125-7130	3	Collar
13	125-6908	3	Absorber
14	125-7187	6	Screw
19	125-7128	1	Ecu
20	125-7129	1	Shield
21	125-7130	3	Collar
22	125-6908	3	Absorber
23	125-7187	6	Screw



Gasket Set

Ref.	Part Number	Qty.	Description	Ref.	Part Number	Qty.	Description
1	125-7243	1	Gasket Set	19	125-7022	1	Gasket
2	125-7049	1	Gasket-Head	20	125-7024	1	Gasket
3	125-6909	2	O-Ring	21	125-7174	7	Washer-Seal
4	125-6957	1	O-Ring	22	125-7175	2	Washer-Seal
5	125-7197	2	O-Ring	23	125-7193	2	Gasket
6	125-7199	1	O-Ring	24	125-7198	1	O-Ring
7	125-7177	1	Washer-Seal	25	125-7047	1	Gasket
8	125-6915	8	Seal-Stem, Valve	26	125-7048	1	O-Ring
9	125-6916	8	Seal-Stem, Valve	27	125-6978	1	Gasket
10	125-6921	4	Protector	28	125-7192	1	Gasket
11	125-6911	4	Seat-Valve	29	125-7026	1	Gasket
12	125-7060	1	Gasket	30	125-7110	1	Gasket
13	93-0418	7	O-Ring	31	125-6979	2	Gasket
14	125-7066	1	Gasket	32	125-6967	5	Gasket
15	125-7028	1	Gasket	33	125-7000	1	Gasket
16	125-7096	1	Gasket	34	125-7021	1	Gasket
17	125-7070	1	Gasket	35	125-7038	1	Hone
18	125-7071	1	Gasket	36	125-7248	1	Gasket-Liquid

Attachments and Accessories

For 30893 Groundsmaster 4500-D Rotary Mower

Product Name	Model/Part
TÜV Kit - German Vehicle Serial Plate	02983
Operator Cooling Fan	03247
Switch Panel-Universal Sunshade.....	03248
Operator Golf Ball Guard, Reelmaster 3100/3500/5010 or Groundsmaster 3500/4300 Series Traction Unit	03614
Roller Scraper Kit.....	104-5168
Blade-High Lift	104-5183
Blade-Angle Sail	105-9810-03
Blade-Atomic	107-0235-03
Mvp Kit-blade Pack Combo (gm4500)	108-0800
Premium All Purpose Grease (Tube)	108-1190
27in Blade Service Pack (qty 5)	108-1463
Blade-Combo.....	108-9026-03
Deck Cover.....	111-4525
Premium Synthetic Bio-Degradable Hydraulic Fluid (5 Gallon Pail)	119-2157
Premium Synthetic Bio-Degradable Hydraulic Fluid (55 Gallon Drum).....	119-2158
Deck Lock Kit, Groundsmaster 4500-D/4700-D Traction Unit	119-8641
Service Decal	127-6369
Large Seat Cover.....	131-6691
Roller Asm (UHMW)	131-7800
PX Hydraulic Fluid (5 Gal)	133-8086
PX Hydraulic Fluid (55 Gal).....	133-8087
Ballast Kit (27in C/U)	136-2881
Reverse Tow Kit.....	136-3620
High HOC Turf Evaluator	136-3635
Adapter-ball Guard	137-1392
3in Dia, 27in Sectional Roller Assembly.....	137-6145
Beacon Kit	138-2699
Sunshade Work Lights Kit.....	138-2700
Power Harness Kit (GM45XX/GM47XX/GM7XXX).....	138-2995
MVP Filter Kit.....	30089
Homologation Kit	30667
White Universal Sunshade	30669
Red Universal Sunshade	30671
27in Rotary Cutting Unit.....	30834
Leaf Mulching Kit	30836
Cab Kit.....	30901
2 Post ROPS Extension Kit.....	31351
4wd Flow Divider Kit, Gm45/4700-f20 U	31529
New Red Paint - Gallon	361-11
Dark Metallic Gray Aerosol Paint	361-12
Semi-Gloss Black Spray Paint.....	361-9
1000 Hour Mvp Kit-Tier IV.....	44967
Air Dry Red Paint - Qt	5340

Notes:

Notes:



Count on it.