



Count on it.

Parts Catalog

**52in Z Master® 4000 Series
Riding Mower**

Model No. 74010—Serial No. 416268910 and Up



Ordering Replacement Parts

To order replacement parts, please supply the part number, the quantity, and the description of each part desired.

Understanding Reference Numbers

Each identified part in an illustration has a reference number. The reference number for a part also appears in the parts list, along with other information about the part.

This catalog uses two special reference number formats, one to indicate parts in a service assembly and another to indicate the quantity of a given part in an illustration.

Service Assembly Reference Numbers

Parts in service assemblies have reference numbers in the form a:b. The a represents the reference number of the entire service assembly and the b represents a sequential number unique to each part within the service assembly.

For example, a wheel assembly might be identified by reference number 6, the tire by 6:1, the valve by 6:2, and the wheel by 6:3. When you order the assembly identified by reference number 6, you receive all parts identified by reference numbers 6:1, 6:2, and 6:3. However, you may also order any part individually. Reference numbers of this type appear in illustration and in parts lists.

Reference Numbers Indicating Quantity

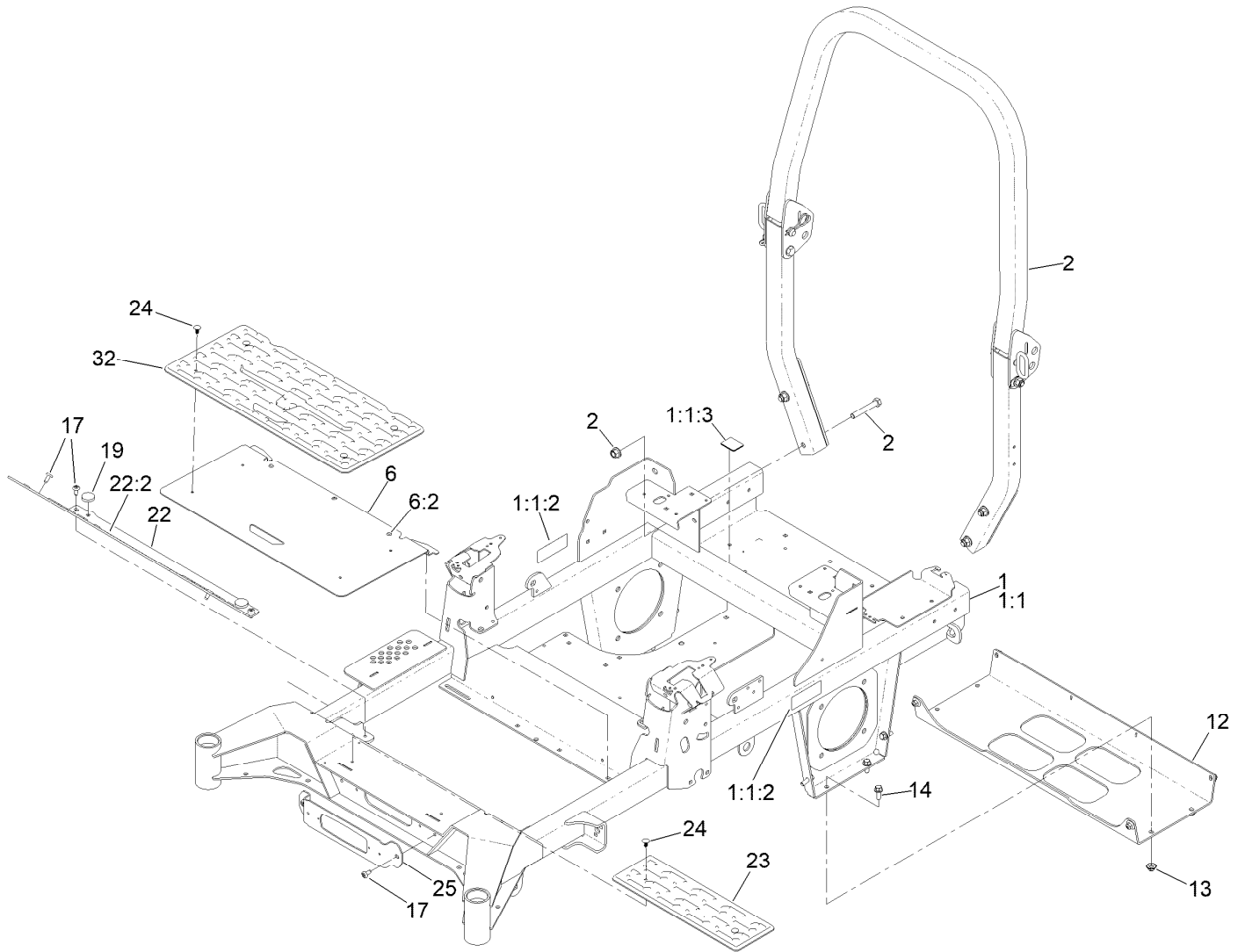
In an illustration, if a reference number indicates more than one part, the reference number has the form nX y. The n represents the quantity of the part, the X is the multiplication symbol, and the y represents the reference number.

For example, in an illustration, the reference number 2X 37 means that two of the parts identified by reference number 37 are indicated.

Contents

Frame Assembly	4
Roll-Over Protection System Assembly No. 139-8062	6
Hydro Assembly	8
LH Transaxle Assembly No. 138-6076	10
RH Transaxle Assembly No. 138-6077	12
Throttle, Choke Cable and Guard Assembly	14
Fuel System Assembly	16
Fuel Tank Assembly No. 139-6722	18
Seat Mount Assembly	20
Seat Assembly No. 144-2632	22
Motion Control Assembly	24
Left and Right Control Arm Assembly	26
Caster Wheel Assembly	28
Caster and Wheel Assembly	30
Rear Wheel Assembly	32
Electrical Assembly	34
Wire Harness Assembly No. 139-8078	36
Deck Lift Assembly	38
Deck Strut Assembly No. 140-1179	40
Engine, Clutch and Muffler Assembly	42
Decal Assembly	44
Deck Assembly	46
Deck Decal Assembly No. 147-4996	48
Spindle Assembly No. 137-9780	50
Deflector Assembly No. 144-2635	52
Idler Arm Assembly No. 139-1087	54
Attachments and Accessories	56

Frame Assembly



Frame Assembly (continued)

<i>Ref.</i>	<i>Part Number</i>	<i>Qty.</i>	<i>Description</i>	<i>Ref.</i>	<i>Part Number</i>	<i>Qty.</i>	<i>Description</i>
1	147-7830	1	Frame ASM-48/52	14	3234-42	8	Screw-HHF
1:1		1	Frame ASM-48/52 ●	17	138-9753	6	Screw
1:1:2	126-4363	2	Decal-Warning	19	109-9233	2	Bumper-Push-In, Rubber
1:1:3	144-2687	1	Decal, Belt Routing	22	140-4995	1	Toeboard
2	139-8062	1	ASM-ROPS	22:2	126-8383	1	Decal-Danger
6	138-6098	1	Floor Pan ASM	23	140-4992	1	Step
6:2	109-9233	2	Bumper-Push-In, Rubber	24	117-2382	6	Plug-Plastic
12	139-6717-01	1	Plate-Hydro	25	140-4994-01	1	Bracket-Light
13	109-6658	8	Nut-Flange, NI	32	140-7950	1	Floormat-Fixed Seat

● Not serviced separately

Roll-Over Protection System Assembly No. 139-8062

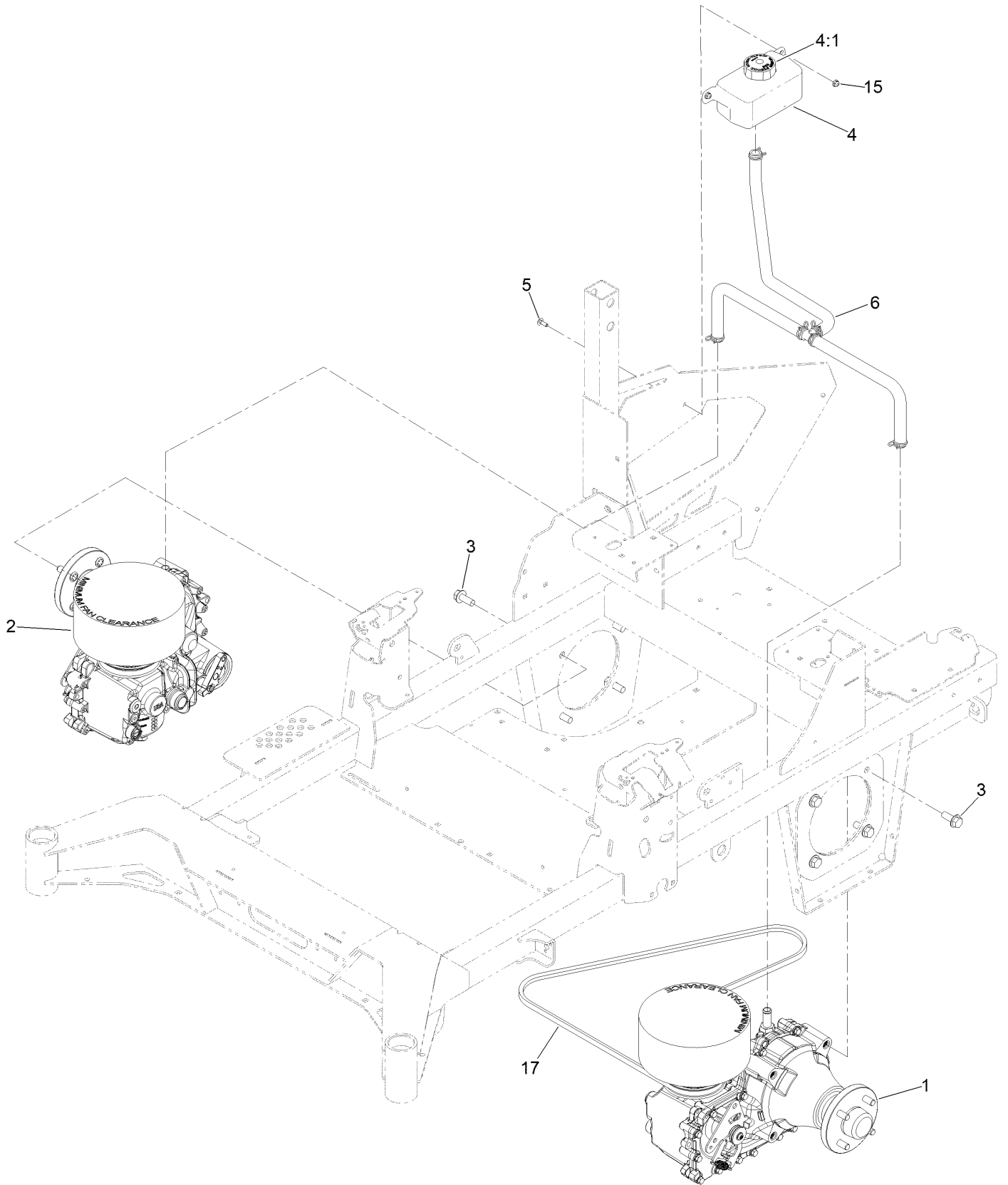


Roll-Over Protection System Assembly No. 139-8062 (continued)

<i>Ref.</i>	<i>Part Number</i>	<i>Qty.</i>	<i>Description</i>	<i>Ref.</i>	<i>Part Number</i>	<i>Qty.</i>	<i>Description</i>
1		1	Upper ROPS ASM ●	5	103-4553	2	ROPS Fold Pin ASM
1:2	107-3069	1	Decal-Warning	6	99-5107	6	Nut-Lock
2		1	RH Lower ROPS ASM ●	7	109-5337	2	Bumper-ROPS
3		1	LH Lower ROPS ASM ●	8	109-9505	4	Washer-Spring
4	126-9209	2	Bolt-Shoulder	9	325-13	4	Screw-HH

● Not serviced separately

Hydro Assembly



Hydro Assembly (continued)

<i>Ref.</i>	<i>Part Number</i>	<i>Qty.</i>	<i>Description</i>	<i>Ref.</i>	<i>Part Number</i>	<i>Qty.</i>	<i>Description</i>
1	138-6076	1	LH Transaxle ASM	5	3229-28	2	Screw-CARR
2	138-6077	1	RH Transaxle ASM	6	140-1225	1	ASM-Hose, Hydraulic
3	3234-38	8	Screw-HHF	15	104-7201	2	Nut-HF, NI
4	119-9908	1	Hydraulic Reservoir ASM	17	126-9835	1	Belt-V
4:1	109-3320	1	Cap-Reservoir, HYD				

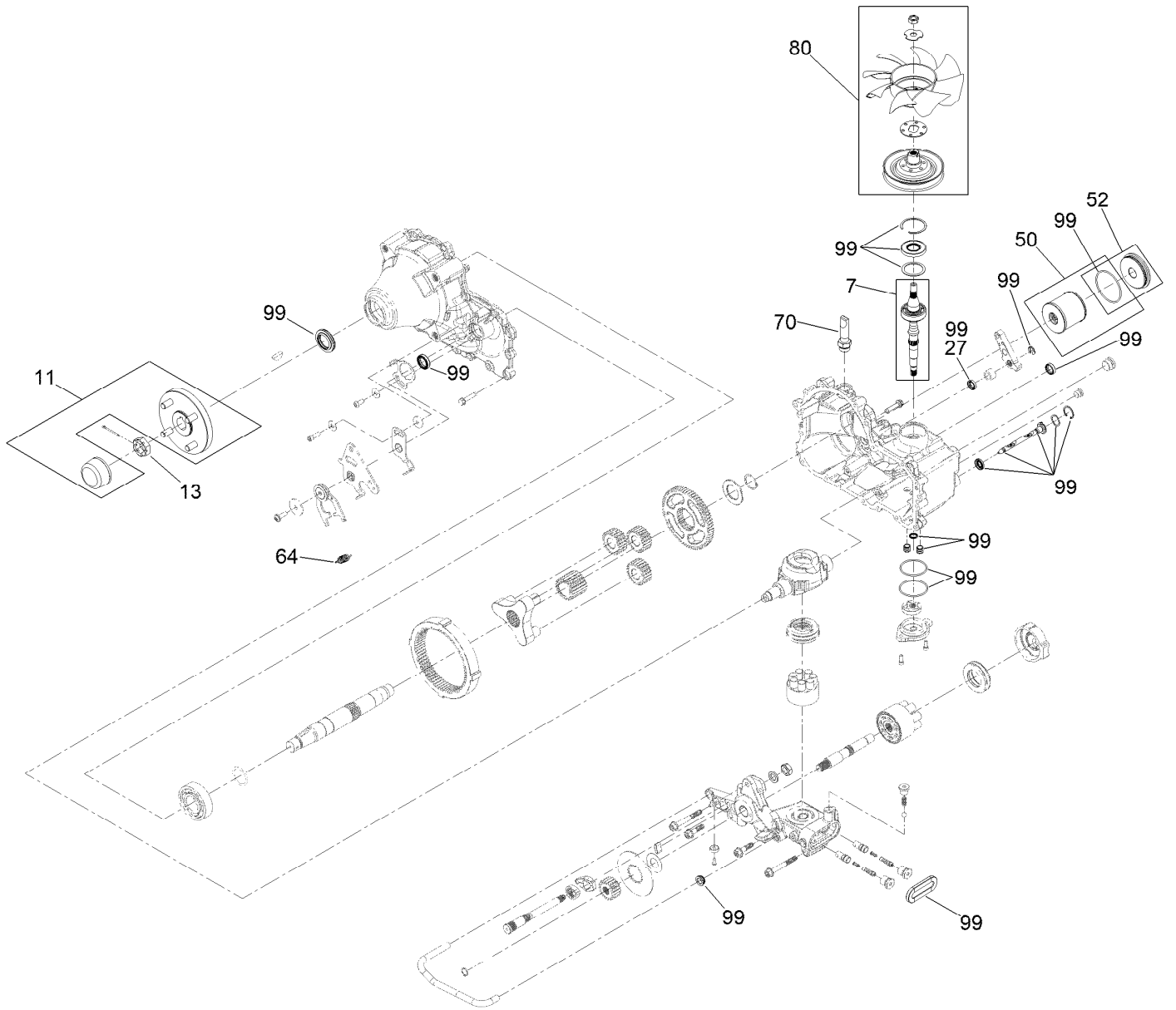
LH Transaxle Assembly No. 138-6076



LH Transaxle Assembly No. 138-6076 (continued)

<i>Ref.</i>	<i>Part Number</i>	<i>Qty.</i>	<i>Description</i>	<i>Ref.</i>	<i>Part Number</i>	<i>Qty.</i>	<i>Description</i>
7	147-1672	1	Kit, Input Shaft	52	144-6604	1	Kit, Filter Plug
11	144-6594	1	Hub-4 Bolt	64	125-4684	1	Spring-Extension
13	144-6595	1	Nut, Slotted	70	144-6601	1	Fitting-5/8 Beaded, 7/8 SAE
27	145-3678	1	Seal, Lip-Brake	80	144-6602	1	Kit, Fan And Pulley
50	144-6603	1	Kit, Filter	99	145-3683	1	Kit-Overhaul Seal

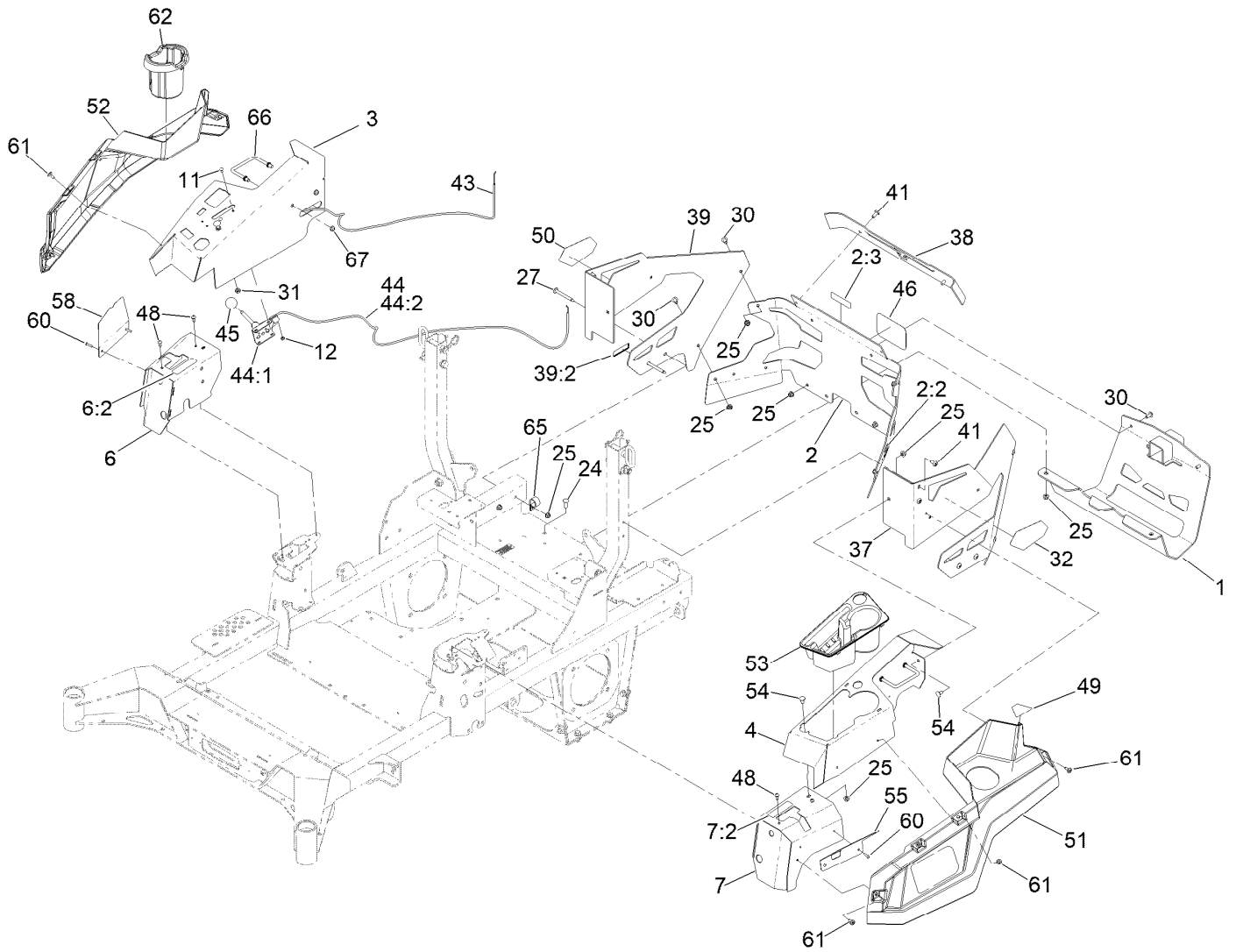
RH Transaxle Assembly No. 138-6077



RH Transaxle Assembly No. 138-6077 (continued)

<i>Ref.</i>	<i>Part Number</i>	<i>Qty.</i>	<i>Description</i>	<i>Ref.</i>	<i>Part Number</i>	<i>Qty.</i>	<i>Description</i>
7	147-1672	1	Kit, Input Shaft	52	144-6604	1	Kit, Filter Plug
11	144-6594	1	Hub-4 Bolt	64	125-4684	1	Spring-Extension
13	144-6595	1	Nut, Slotted	70	144-6601	1	Fitting-5/8 Beaded, 7/8 SAE
27	145-3678	1	Seal, Lip-Brake	80	144-6602	1	Kit, Fan And Pulley
50	144-6603	1	Kit, Filter	99	145-3683	1	Kit-Overhaul Seal

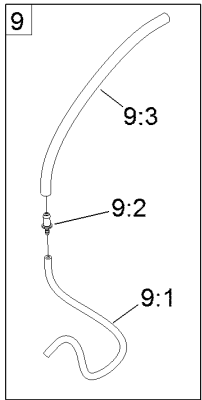
Throttle, Choke Cable and Guard Assembly



Throttle, Choke Cable and Guard Assembly (continued)

<i>Ref.</i>	<i>Part Number</i>	<i>Qty.</i>	<i>Description</i>	<i>Ref.</i>	<i>Part Number</i>	<i>Qty.</i>	<i>Description</i>
1	147-2408-03	1	Guard-Muffler	41	138-9753	6	Screw
2	161-6769	1	Rear Guard ASM	43	144-2647	1	Cable-Choke Control
2:2	106-5517	2	Decal-Warning	44	110-5727	1	Throttle Control ASM
2:3	161-6763	1	Decal-Hitch	44:1	112-2334	1	Lever-Throttle
3	144-6551-01	1	Console-RH	44:2	110-5728	1	Cable-Throttle
4	145-1287-01	1	Console-LH	45	1-603175	1	Knob-Ball
6	140-4867	1	RH Cover ASM	46	105-8278	1	Decal
6:2	99-8936	1	Decal-Control, Motion	48	87-6620	4	Screw-Tph Thd Form
7	140-4866	1	LH Cover ASM	49	126-9939	1	Decal-Fill, Fuel
7:2	99-8936	1	Decal-Control, Motion	50	140-7987	1	Decal-4000 Series, RH
11	1-807513	2	Bolt-CARR	51	140-7979	1	Side Pod, LH
12	3296-2	2	Nut-Lock, NI	52	140-7980	1	Side Pod, RH
24	3230-22	2	Screw-CARR	53	140-7968	1	Cup Holder
25	104-8300	16	Nut-HF, NI	54	3230-18	4	Screw-CARR
27	126-6267	4	Screw-TTH	55	140-7996-03	1	Plate-Cover, LH Front
30	126-6268	6	Screw-TTH	58	140-7998-03	1	Plate-Cover, RH Front
31	3220-3	1	Nut-HJ	60	130-8451	4	Rivet-Trifold
32	139-1149	1	Decal - 4000 Series, LH	61	120-7950	8	Screw-Torx
37	145-6964-01	1	Guard-Rear, LH	62	140-8019	1	Cupholder-RH
38	140-1221-01	1	Guard-Rear, Top	65	110-0824	1	R-Clamp
39	145-7012	1	RH Rear Guard ASM	66	144-2642	2	Rod-Support, Pod
39:2	133-8062	1	Decal-Spark Arrestor	67	3296-59	4	Nut-Lock, NI

Fuel System Assembly



Fuel System Assembly (continued)

<i>Ref.</i>	<i>Part Number</i>	<i>Qty.</i>	<i>Description</i>	<i>Ref.</i>	<i>Part Number</i>	<i>Qty.</i>	<i>Description</i>
1	139-6722	1	Fuel Tank ASM	7:1	109-0298	1	Line-Fuel
2	137-4119	1	Cap-Fuel, Ratcheting	7:2	114-3766	1	Hose-Fuel
3	104-2490	2	Clamp-Hose	7:3	1-603770	1	Valve-Fuel
4	131-8834	2	Bumper	7:4	2412-98	4	Clamp-Hose
5	104-7201	2	Nut-HF, NI	8	126-5523	3	Clip
6	139-8067	1	Vent Hose ASM	9	140-4957	1	ASM-Fuel Vent
6:1	138-3152	2	Hose-Fuel	9:1	138-3152	1	Hose-Fuel
6:2	120-2234	1	Fitting-Tee	9:2	116-4630	1	Fitting-Orifice, Straight
6:3	140-4956	1	Hose-Fuel	9:3	116-4344	1	Hose-Fuel
7	139-8068	1	Fuel Hose ASM				

Fuel Tank Assembly No. 139-6722



Fuel Tank Assembly No. 139-6722 (continued)

<i>Ref.</i>	<i>Part Number</i>	<i>Qty.</i>	<i>Description</i>
2	46-6560	4	Bushing
3	140-4955	1	Connector Elbow-90 DEG
4	133-9269	1	Grommet-Fuel

<i>Ref.</i>	<i>Part Number</i>	<i>Qty.</i>	<i>Description</i>
5	139-8058	1	Gauge-Fuel
6	126-9057	2	Fitting-90 DEG
7	140-4954	1	Fitting-Tee

Seat Mount Assembly



Seat Mount Assembly (continued)

<i>Ref.</i>	<i>Part Number</i>	<i>Qty.</i>	<i>Description</i>	<i>Ref.</i>	<i>Part Number</i>	<i>Qty.</i>	<i>Description</i>
1	140-1165-03	1	Pan-Seat [black]	14	5-0652	4	Spacer
4	104-8300	6	Nut-HF, NI	15	144-2632	1	Seat ASM-Suspension
5	144-2669	1	Decal-Service Aid	16	109-9233	1	Bumper-Push-In, Rubber
7	147-2436-03	1	Plate-Tank Retainer, Rear	17	147-4987-03	1	Plate-Tank Retainer, Front
8	3230-23	2	Bolt-CARR	18	130-0733	2	Pad-Rubber
10	138-9753	6	Screw	19	147-4954-01	1	Plate-Backer
12	135-0505	4	Bumper-Seat	20	130-8451	2	Rivet-Trifold
13	1-543286	1	Grommet				

Seat Assembly No. 144-2632

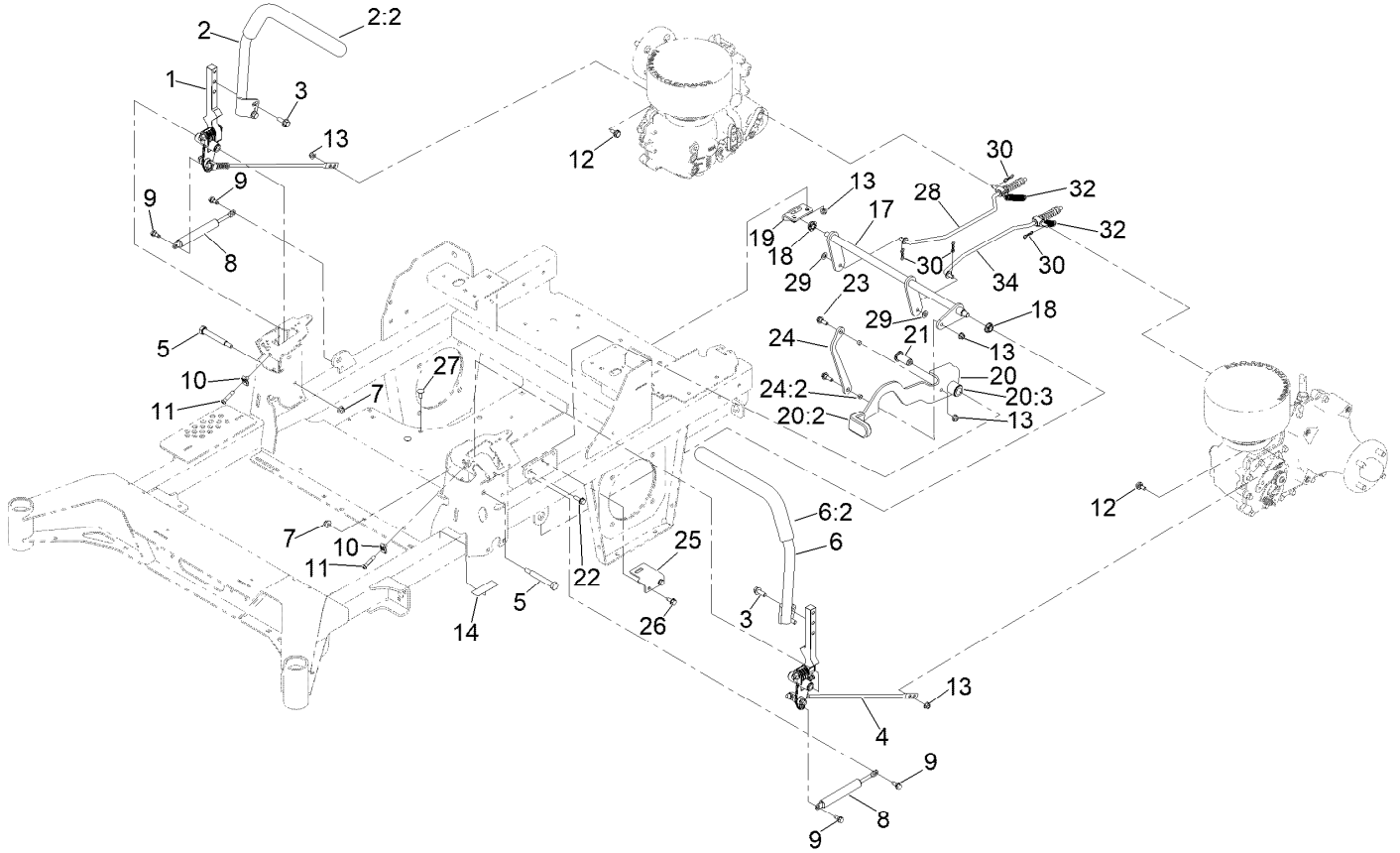
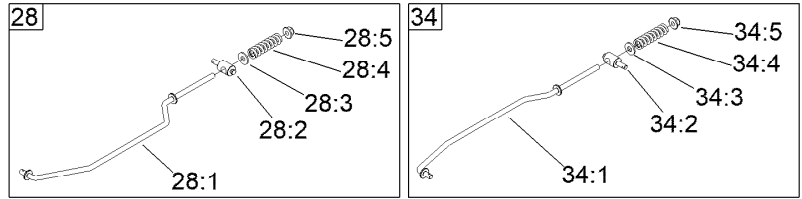


Seat Assembly No. 144-2632 (continued)

<i>Ref.</i>	<i>Part Number</i>	<i>Qty.</i>	<i>Description</i>
1	140-8012	1	Seat Track Set
2	116-8911	1	Knob-Adjuster
3	126-8559	1	Bellows-Seat
4	145-3641	1	Armrest Kit
5	145-3642	1	Pads-Armrest

<i>Ref.</i>	<i>Part Number</i>	<i>Qty.</i>	<i>Description</i>
6	126-8560	1	Kit-Seat Belt
7	145-3643	1	Cover-Back, Seat
8	145-3659	1	Cover-Bottom, Seat
9	82-2190	1	Switch-Bail

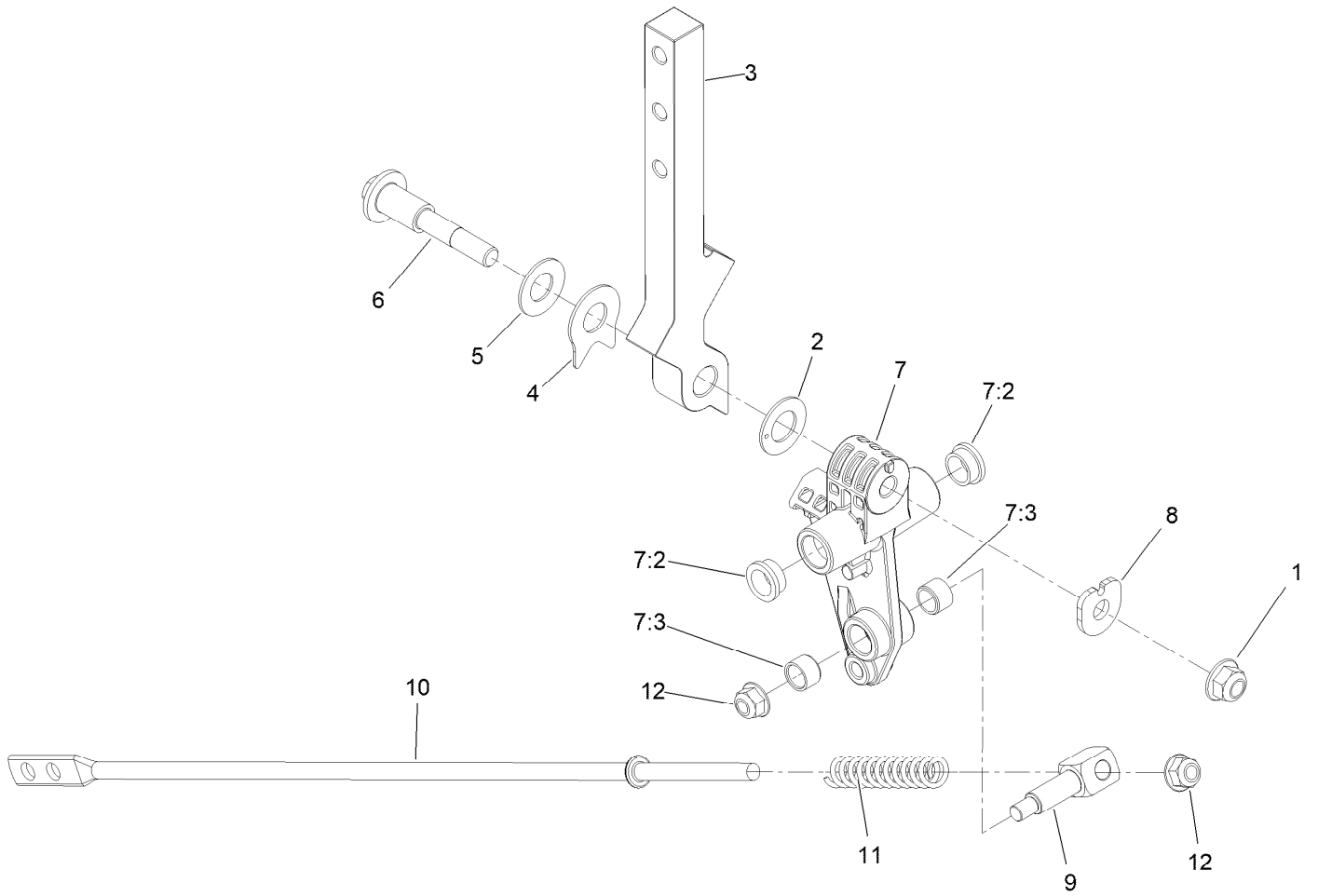
Motion Control Assembly



Motion Control Assembly (continued)

<i>Ref.</i>	<i>Part Number</i>	<i>Qty.</i>	<i>Description</i>	<i>Ref.</i>	<i>Part Number</i>	<i>Qty.</i>	<i>Description</i>
1	147-5046	1	Motion Control ASM-RH	22	3234-29	1	Screw-HHF
2	147-2390	1	RH Handle ASM	23	116-2670	2	Screw-Shoulder
2:2	109-5668	1	Grip-Lever, Control	24	144-6566	1	Brake Link ASM
3	110-5052	4	Screw-HHF	24:2	116-4976	2	Bushing-Sleeve
4	147-5047	1	Motion Control ASM-LH	25	139-6745	1	Plate-Switch
5	115-5099	2	Bolt-Pivot	26	32144-70	2	Screw-HWHTF
6	147-2391	1	LH Handle ASM	27	3230-23	2	Bolt-CARR
6:2	109-5668	1	Grip-Lever, Control	28	144-0352	1	RH Brake Rod ASM
7	104-8301	2	Nut-HF, NI	28:1	140-4950	1	Rod-Brake, RH
8	142-6851	2	Damper	28:2	139-6741	1	Fitting-Rod
9	126-4424	4	Screw-Shoulder	28:3	3256-3	1	Washer-Flat
10	112-3306	2	Nut	28:4	144-2645	1	Spring-Compression
11	126-4299	2	Screw-HSBH	28:5	104-8301	1	Nut-HF, NI
12	37-8771	2	Bolt-Shoulder, HF	29	3256-45	2	Washer-Flat
13	104-8300	6	Nut-HF, NI	30	119-1415	4	Pin-Cotter, Locking
14	115-9625	1	Decal-Brake, Parking	32	109-7124	2	Spring-Extension
17	144-2658	1	Brake ASM	34	144-0351	1	LH Brake Rod ASM
18	126-5820	2	Bearing-Spherical	34:1	140-4951	1	Rod-Brake, LH
19	139-6742	1	Bracket-Brake	34:2	139-6741	1	Fitting-Rod
20	139-6726	1	Brake Lever ASM W/Grip	34:3	3256-3	1	Washer-Flat
20:2	109-8054	2	Bushing-Flange	34:4	144-2645	1	Spring-Compression
20:3	132-4749	1	Grip-Lever	34:5	104-8301	1	Nut-HF, NI
21	139-6743	1	Pivot-Handle				

Left and Right Control Arm Assembly



Left and Right Control Arm Assembly (continued)

<i>Ref.</i>	<i>Part Number</i>	<i>Qty.</i>	<i>Description</i>	<i>Ref.</i>	<i>Part Number</i>	<i>Qty.</i>	<i>Description</i>
1	104-8301	1	Nut-HF, NI	7:2	126-8909	2	Bushing
2	126-7296	1	Washer-Friction	7:3	1-413152	2	Bushing-Sleeve
3	147-2389	1	Arm-Control	8	147-5048	1	Spacer-Actuator
4	142-8478	1	Spacer, Anti-Rotation	9	126-5434	1	Swivel
5	119-8925	1	Washer-Belleville	10	140-4949	1	Link-Control
6	117-1198	1	Bolt-Pivot	11	126-8195	1	Spring-Return, Neutral
7	145-5798	1	ASM-Control Arm	12	104-8300	2	Nut-HF, NI

Caster Wheel Assembly

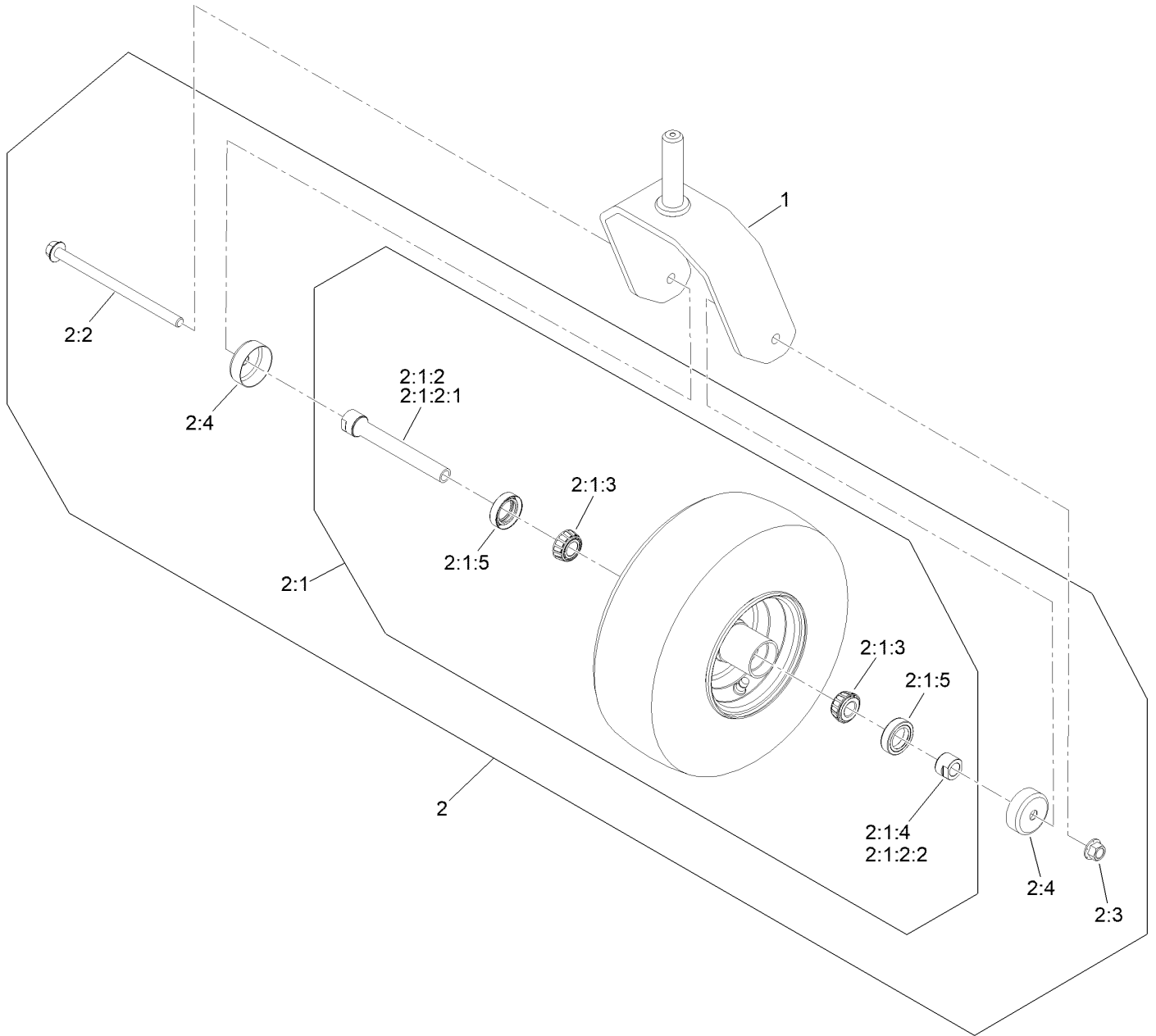


Caster Wheel Assembly (continued)

<i>Ref.</i>	<i>Part Number</i>	<i>Qty.</i>	<i>Description</i>	<i>Ref.</i>	<i>Part Number</i>	<i>Qty.</i>	<i>Description</i>
1		2	Front Caster W/ Fork ASM ●	4	3256-68	2	Washer-Flat
2	109-3678	4	Bearing-Ball	5	100-1668	2	Screw-HHF
3	145-3660	2	Spacer-Bearing	6	144-0375	2	Cap, Grease

● Not serviced separately

Caster and Wheel Assembly

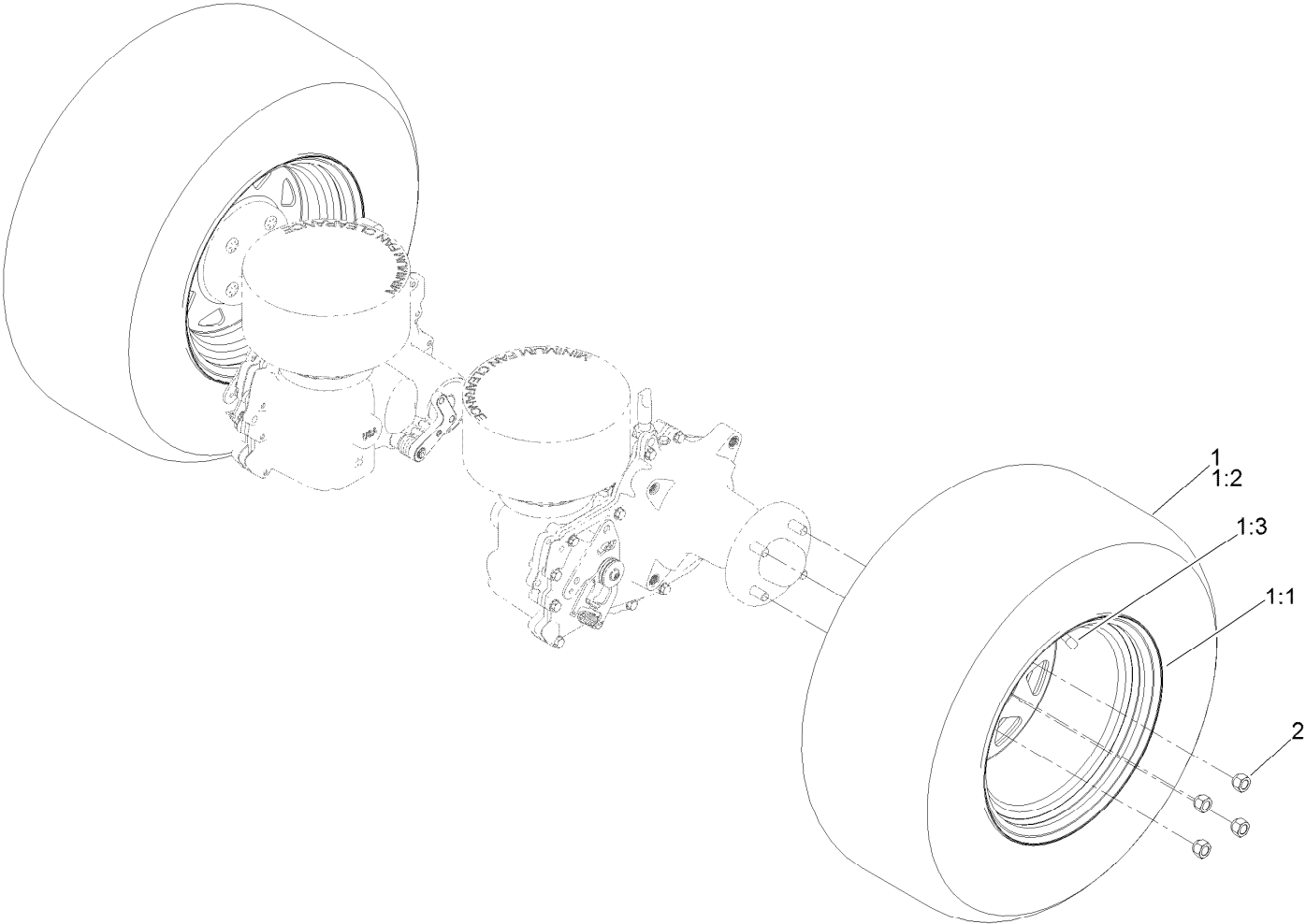


Caster and Wheel Assembly (continued)

<i>Ref.</i>	<i>Part Number</i>	<i>Qty.</i>	<i>Description</i>	<i>Ref.</i>	<i>Part Number</i>	<i>Qty.</i>	<i>Description</i>
1	142-7827-01	1	Fork-Caster	2:1:3	1-633585	2	Bearing-Cone, Taper
2	140-4896	1	Semi Pneumatic ASM	2:1:4	103-3051	1	Spacer-Nut
			13X6.50-6	2:1:5	103-0063	2	Seal-Caster
2:1		1	Wheel And Bearings ASM ●	2:2	126-5389	1	Screw-HHF
2:1:2	126-7796	1	Caster Axle ASM	2:3	99-5107	1	Nut-Lock
2:1:2:1	126-5220	1	Axle-Caster	2:4	103-2768	2	Guard-Seal
2:1:2:2	103-3051	1	Spacer-Nut				

● Not serviced separately

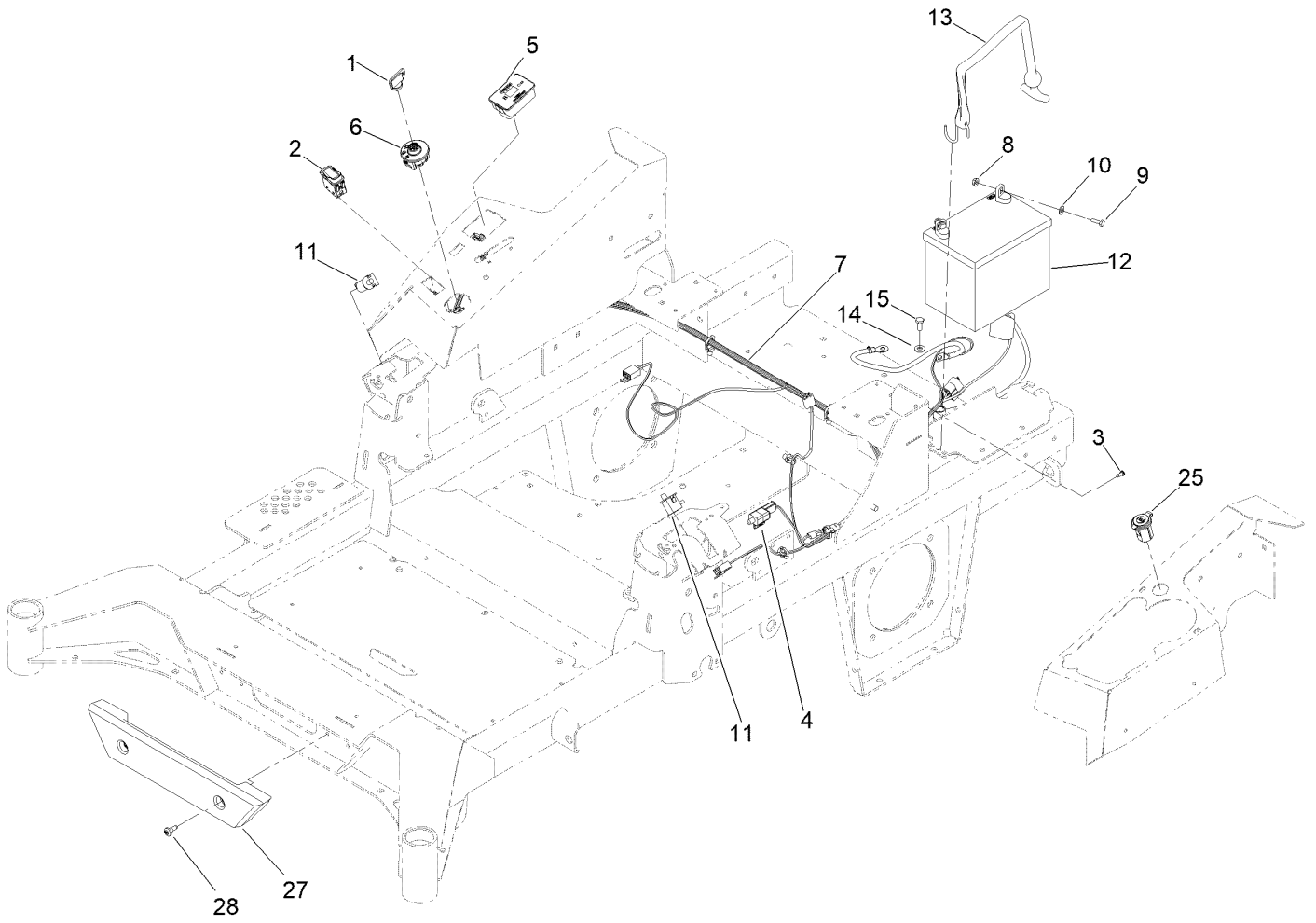
Rear Wheel Assembly



Rear Wheel Assembly (continued)

<i>Ref.</i>	<i>Part Number</i>	<i>Qty.</i>	<i>Description</i>	<i>Ref.</i>	<i>Part Number</i>	<i>Qty.</i>	<i>Description</i>
1	140-7959	2	Wheel And Tire ASM	1:3	232-27	1	Stem-Valve
1:1	140-7969	1	Wheel	2	242-50	2	Nut-Lug
1:2	140-7974	1	Tire				

Electrical Assembly



Electrical Assembly (continued)

<i>Ref.</i>	<i>Part Number</i>	<i>Qty.</i>	<i>Description</i>	<i>Ref.</i>	<i>Part Number</i>	<i>Qty.</i>	<i>Description</i>
1	1-603511	1	Keys-Ignition (Spare Pair)	9	321-4	2	Screw-HH
1	63-8360	1	Key-Ignition	10	3256-22	2	Washer-Flat
2	139-6368	1	Switch-Rocker, On-None-On	11	82-2190	2	Switch-Bail
3	99-8445	1	Screw-HWH	12	104-8162	1	Battery
4	110-6765	1	Switch	13	142-8697	1	Strap, Bungee
5	116-5609	1	Module ASM	14	33094-00	1	Washer-Plain
6	137-4100	1	Switch-Ignition	15	33114-020	1	Screw-HH
7	139-8078	1	Harness-Wire	25	140-7955	1	Port-Power, USB
8	32128-33	2	Nut-HF	27	140-4996	1	Bumper-Front
				28	135-2015	2	Screw-Shoulder

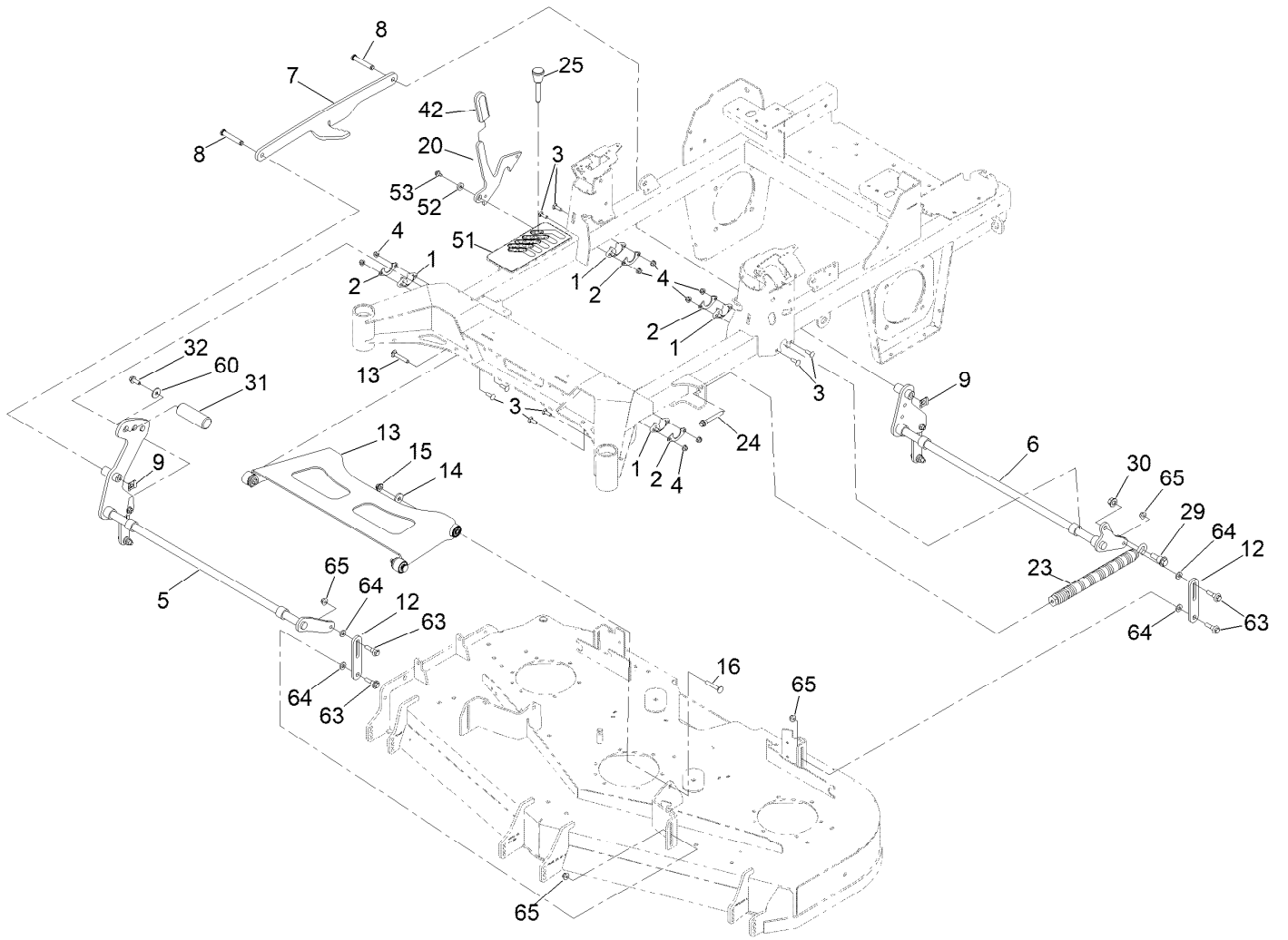
Wire Harness Assembly No. 139-8078



Wire Harness Assembly No. 139-8078 (continued)

<i>Ref.</i>	<i>Part Number</i>	<i>Qty.</i>	<i>Description</i>	<i>Ref.</i>	<i>Part Number</i>	<i>Qty.</i>	<i>Description</i>
11	116-0053	3	Cap-Plug	16	32180-176	1	Cover-Block, Fuse
12	103-3895	1	Diode	17	32180-177	1	Clip-Mounting
13	121-8867	1	Fuse-Mini Blade, 15 Amp	18	126-8876	1	Insulator-Battery
14	121-8868	1	Fuse-Mini Blade, 20 Amp	19	1-543393	1	Insulator-Solenoid
15	126-3991	1	Relay-Micro	24	121-8869	1	Fuse-Mini Blade, 25 Amp

Deck Lift Assembly



Deck Lift Assembly (continued)

<i>Ref.</i>	<i>Part Number</i>	<i>Qty.</i>	<i>Description</i>	<i>Ref.</i>	<i>Part Number</i>	<i>Qty.</i>	<i>Description</i>
1	139-5872	4	Bearing-Flange	23	116-0886	1	Spring-Extension
2	116-2887	4	Gusset-Lift, Deck	24	92-7674	1	Bolt-Shoulder
3	3230-22	8	Screw-CARR	25	126-5401	1	Pin-HOC
4	104-8300	8	Nut-HF, NI	29	116-0780	1	Screw-Shoulder, HHF
5	139-8050-03	1	Front Deck Lift Shaft ASM	30	99-5107	1	Nut-Lock
6	140-4975-03	1	Shaft-Lift, Deck	31	140-4959	1	Pedal-Foot Lift
7	126-4639-03	1	Link-HOC	32	3234-42	1	Screw-HHF
8	126-9181	2	Pin-Clevis	42	132-4749	1	Grip-Lever
9	138-8491	2	Clip-Pin	51	139-6699	1	Decal-HOC
12	145-5702-03	4	Link-Lift, Deck	52	104-7658	1	Spacer
13	140-1179	1	Deck Strut W/ Bushings ASM	53	9266934	1	Screw
14	1-373034	2	Washer	60	2844	1	Washer
15	109-6658	2	Nut-Flange, NI	63	130-0742	8	Bolt-Shoulder
16	3231-7	2	Screw-CARR	64	43-0940	8	Spacer
20	145-8475-03	1	Plate-Transport Lock	65	104-8301	8	Nut-HF, NI

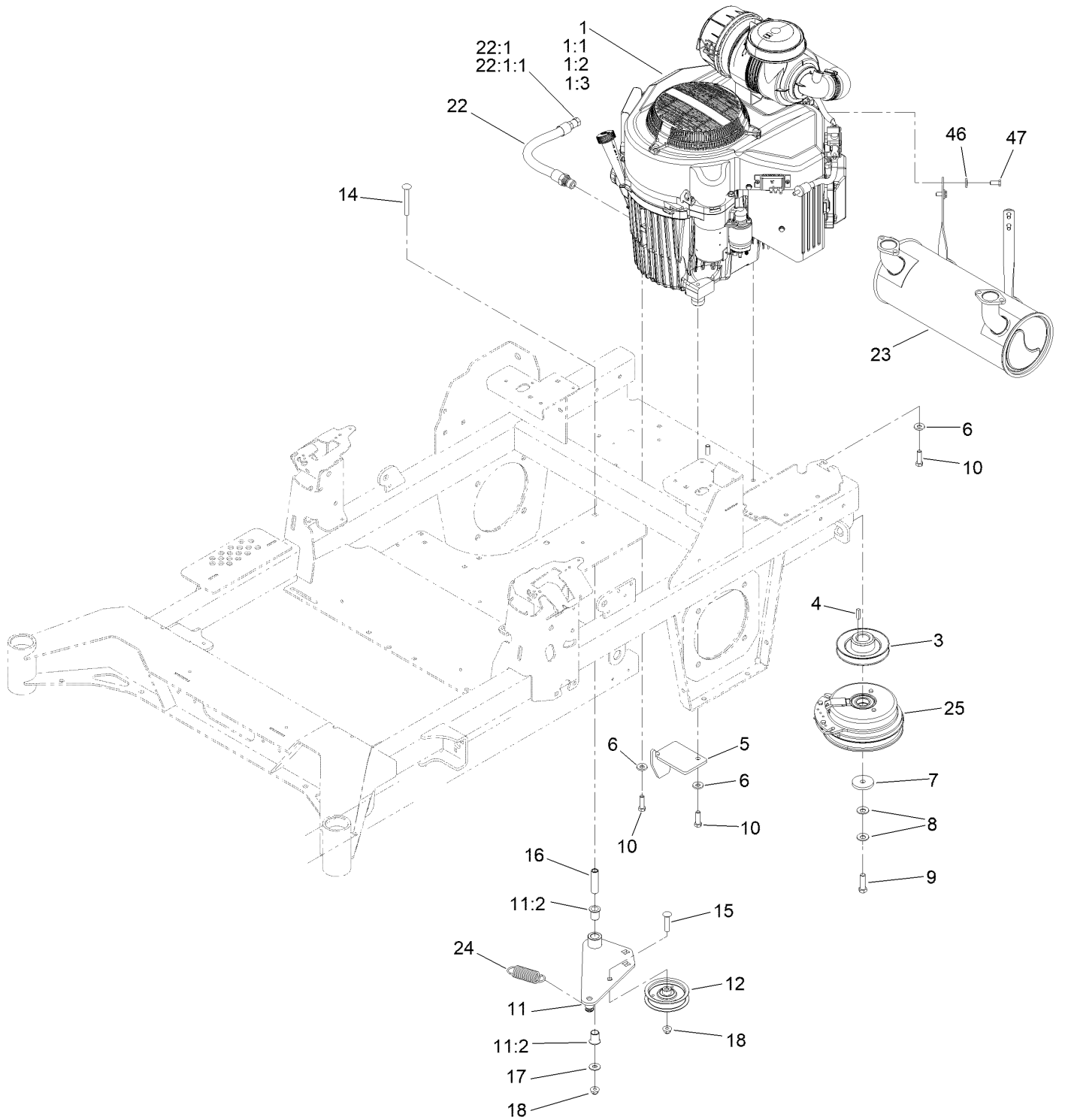
Deck Strut Assembly No. 140-1179



Deck Strut Assembly No. 140-1179 (continued)

<i>Ref.</i>	<i>Part Number</i>	<i>Qty.</i>	<i>Description</i>	<i>Ref.</i>	<i>Part Number</i>	<i>Qty.</i>	<i>Description</i>
2	126-8360	4	Bushing-Rubber, Suspension	4	3231-7	2	Screw-CARR
3	108-6544	4	Spacer	5	2844	2	Washer
				6	104-8301	2	Nut-HF, NI

Engine, Clutch and Muffler Assembly



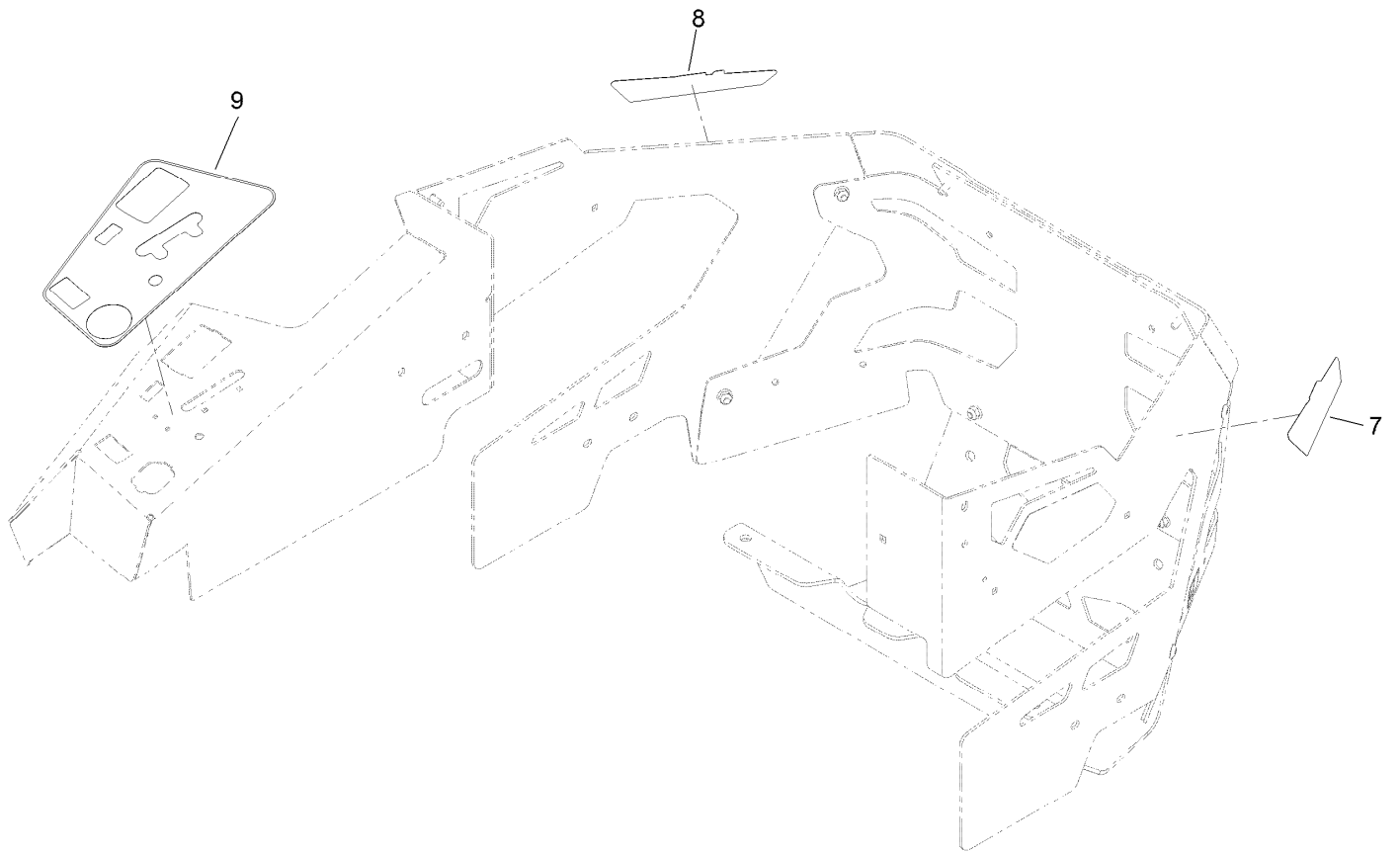
Engine, Clutch and Muffler Assembly (continued)

<i>Ref.</i>	<i>Part Number</i>	<i>Qty.</i>	<i>Description</i>	<i>Ref.</i>	<i>Part Number</i>	<i>Qty.</i>	<i>Description</i>
1	126-2131	1	Engine-Kawasaki, Fx921V-S04-R	11	144-2671	1	Idler Arm ASM
1:1		1	Kawasaki 49065-7007 Engine Oil Filter ■▲	11:2	138-2573	2	Bushing-Flange
1:2		1	Kawasaki 11013-7044 Engine Air Filter ■▲	12	140-4964	1	Pulley-Idler, Flat
1:3		1	Kawasaki 11013-7045 Safety Filter ■▲	14	3231-42	1	Screw-CARR
3	139-6702	1	Sheave, W/Hub	15	3231-29	1	Screw-CARR
4	1-807259	1	Key	16	139-6690	1	Bushing, Idler Pivot
5	140-1190	1	Anchor-Clutch	17	3256-4	1	Washer-Flat
6	98-5975	4	Washer-Belleville	18	104-8301	2	Nut-HF, NI
7	109-6919	1	Washer-Plain	22	116-4924	1	Engine Oil Drain Hose ASM
8	1-603610	2	Washer-Spring	22:1	353-508	1	Plug-HH ●
9	109-9761	1	Screw-HH	22:1:1	237-42	1	O-Ring
10	323-7	4	Screw-HH	23	140-8002	1	Muffler
				24	1-653331	1	Spring-Idler
				25	116-1604	1	Clutch
				46	1-303334	4	Washer-Spring
				47	33114-020	4	Screw-HH

● Torque to 24-26 ft-lb
▲ Obtain parts from www.kawpower.com

■ Not serviced separately

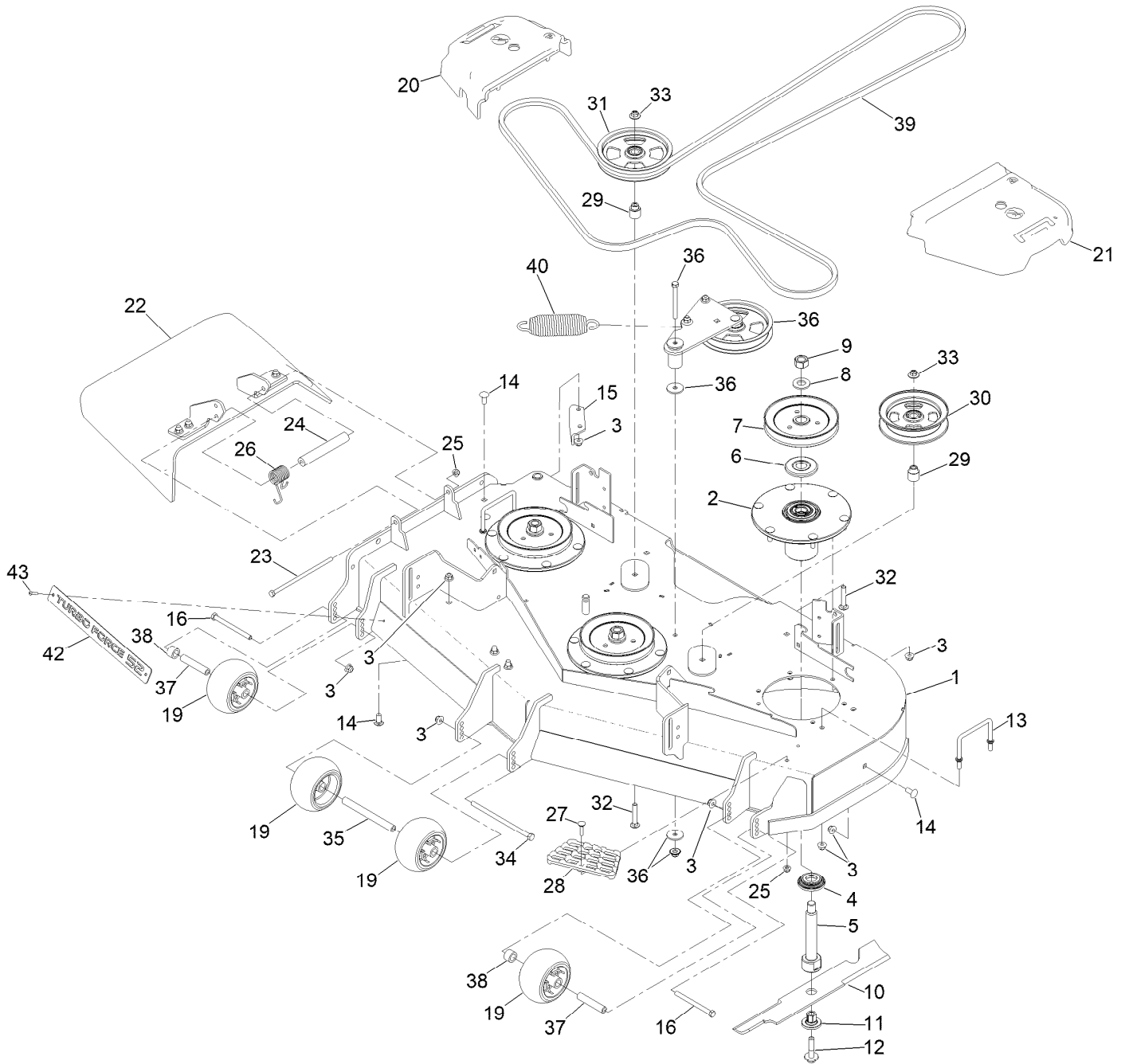
Decal Assembly



Decal Assembly (continued)

<i>Ref.</i>	<i>Part Number</i>	<i>Qty.</i>	<i>Description</i>
7	144-0444	1	Decal - HDX Pro
8	144-0445	1	Decal - HDX Pro
9	144-0405	1	Decal-Panel, Control

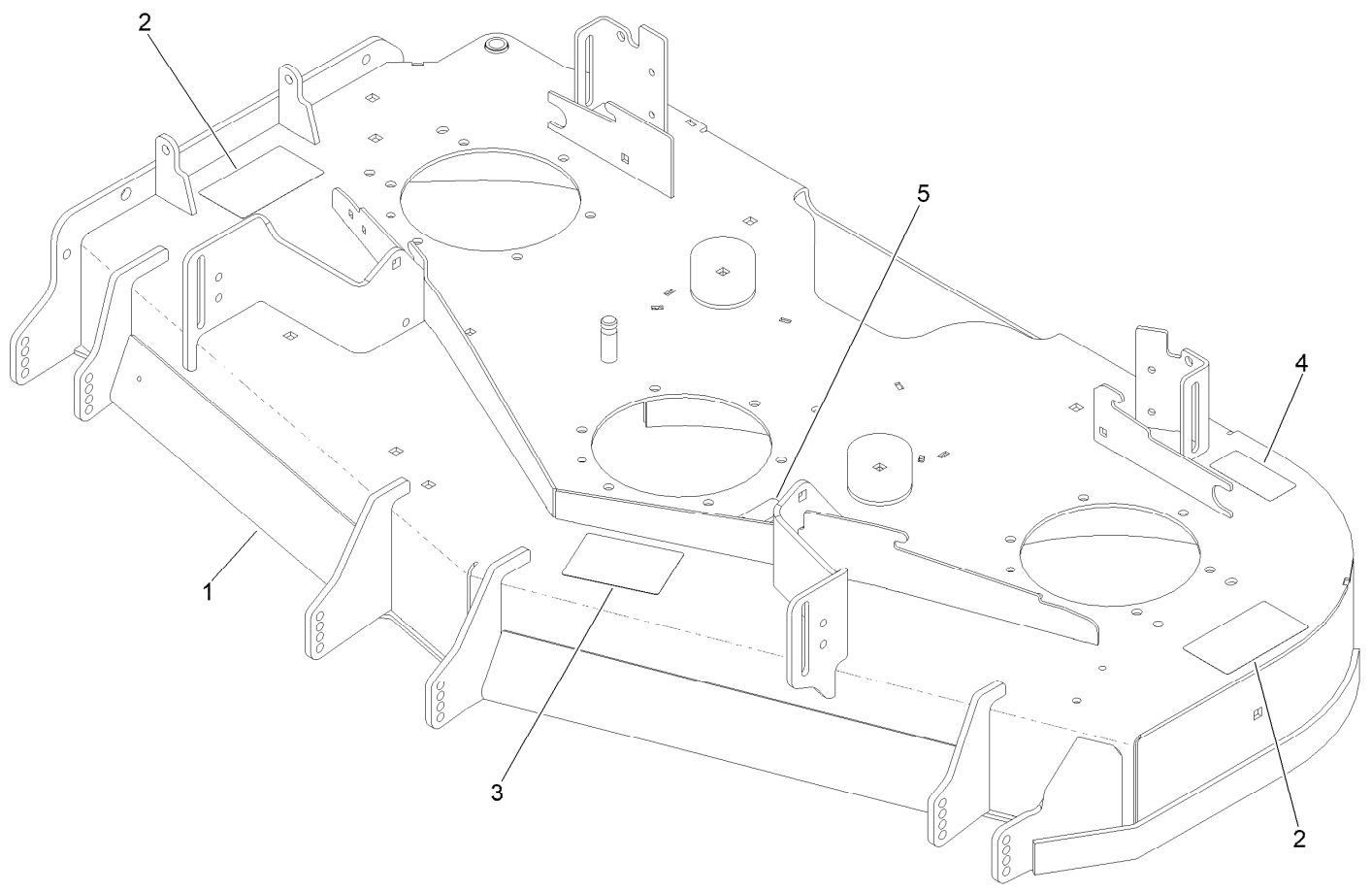
Deck Assembly



Deck Assembly (continued)

<i>Ref.</i>	<i>Part Number</i>	<i>Qty.</i>	<i>Description</i>	<i>Ref.</i>	<i>Part Number</i>	<i>Qty.</i>	<i>Description</i>
1	147-4996	1	Deck Decal ASM	23	322-50	1	Screw-HH
2	137-9780	3	Spindle ASM	24	105-4622	1	Spacer
3	104-8301	33	Nut-HF, NI	25	104-8300	2	Nut-HF, NI
4	137-9784	3	Guard-Bottom	26	108-4052	1	Spring-Torsion
5	138-6045	3	Shaft-Spindle	27	3230-3	1	Screw-CARR
6	103-1330	3	Guard-Bearing, Top	28	126-4781-03	1	Step-Deck
7	138-6058	3	Sheave-Blade Drive 6.50	29	139-8061	2	Bushing, Idler
8	103-2802	3	Washer	30	132-9425	1	Pulley-Idler, Flat
9	116-7306	3	Nut-Hex	31	132-9424	1	Pulley-Idler, Flat
10	140-1242	3	Blade-Flow, High	32	3231-7	2	Screw-CARR
11	137-9787	3	Bushing-Hex	33	109-6658	2	Nut-Flange, NI
12	109-9220	3	Screw-Sems	34	108-5388	1	Screw-HH
13	109-6982	2	Wireform-Cover	35	98-5967	1	Spacer-Wheel
14	3231-27	8	Screw-CARR	36	139-1087	1	Idler Arm ASM
15	107-8541-01	1	Baffle-Discharge	37	133-2129	2	Tube-Shafting
16	323-23	2	Screw-HH	38	133-2128	2	Tube-Spacer
19	1-603299	4	Roller-Scalp, Anti	39	144-0356	1	Belt-V
20	109-6935	1	Cover-Belt, RH	40	116-6317	1	Spring-Extension
21	109-6936	1	Cover-Belt, LH	42	147-4975-03	1	Plate-Turbo Force [black]
22	144-2635	1	Rubber Deflector ASM	43	130-8451	2	Rivet-Trifold

Deck Decal Assembly No. 147-4996



Deck Decal Assembly No. 147-4996 (continued)

<i>Ref.</i>	<i>Part Number</i>	<i>Qty.</i>	<i>Description</i>	<i>Ref.</i>	<i>Part Number</i>	<i>Qty.</i>	<i>Description</i>
1		1	Deck ASM W/Decals ●	4	116-8283	1	Decal-Torque, Bolt
2	117-3848	2	Decal-Danger	5	109-6035	1	Decal-Routing, Belt
3	127-0326	1	Decal-Scalp, Anti				

● Not serviced separately

Spindle Assembly No. 137-9780



Spindle Assembly No. 137-9780 (continued)

<i>Ref.</i>	<i>Part Number</i>	<i>Qty.</i>	<i>Description</i>
2	116-0720	2	Bearing-Ball
3	138-6042	1	Spacer-Bearing

Deflector Assembly No. 144-2635



Deflector Assembly No. 144-2635 (continued)

<i>Ref.</i>	<i>Part Number</i>	<i>Qty.</i>	<i>Description</i>	<i>Ref.</i>	<i>Part Number</i>	<i>Qty.</i>	<i>Description</i>
1	3231-4	4	Screw-CARR	5	108-4059-01	1	Plate-Hinge, Rear
2	106-3246-01	1	Deflector	6	106-3253-01	1	Plate-Hinge, Front
3	106-3248-03	1	Strap-Discharge	7	104-8301	4	Nut-HF, NI
4	139-8114	1	Deflector-Deck, Rubber				

Idler Arm Assembly No. 139-1087



Idler Arm Assembly No. 139-1087 (continued)

<i>Ref.</i>	<i>Part Number</i>	<i>Qty.</i>	<i>Description</i>	<i>Ref.</i>	<i>Part Number</i>	<i>Qty.</i>	<i>Description</i>
1	139-1086	1	Idler Arm ASM	7	109-6658	3	Nut-Flange, NI
2	138-2573	2	Bushing-Flange	8	323-15	1	Screw-HH
3	139-8060	1	Bushing, Idler	9	3231-5	1	Screw-CARR
4	132-9424	1	Pulley-Idler, Flat	10	132-4729	1	Anchor-Spring, Short
5	139-6690	1	Bushing, Idler Pivot	11	136-9028	1	Bolt-Shoulder, HWH
6	1-213069	3	Washer	12	104-8301	1	Nut-HF, NI

Attachments and Accessories

For 74010 52in Z Master 4000 Series Riding Mower

Product Name	Model/Part
Hypr-Oil 500 (quart)	114-4713
Hypr-Oil 500 (gallon).....	114-4714
Hypr-Oil 500-5 (5 gallon).....	114-4715
Spark Arrestor	117-3281
Striper Kit.....	126-7882
Jack Kit.....	127-6666
Tweel-Turf Tire.....	139-3649
Recycler Kit	139-6653
Blade-18.00 High Flow	140-1242
Blade-18.00 Medium Flow	140-4856
Blade-18.00 Low Flow	140-4857
Blade-18.00 Atomic	140-4858
Blade-18.00 Recycler	140-4859
6 Pack-Blade, 18.00 High Flow.....	140-4882
6 Pack-Blade, 18.00 Med Flow	140-4883
6 Pack-Blade, 18.00 Low Flow	140-4884
6 Pack-Blade, 18.00 Atomic.....	140-4885
6 Pack-Blade, 18.00 Recycler.....	140-4886
Base Light Kit-4000 Series	144-0389
Electric Deck Lift Kit-4000.....	144-0390
Trimmer Mount	144-2665
Jack Mount Kit.....	144-2676
Hardtop Sun Canopy	144-3719
52" Chute Gate Kit [4000]	144-6571
Handle Extension Kit	145-3615
Kit-Red Electric Deck Lift	147-1660
Asm-Voodoo Trac 24x10.5-12	147-5030
Blade-18.00 High Flow	147-6251
13x6.5n6 Caster Tweel Asm.....	147-6294
Bucket Mount Kit, Z Master 2000 or 4000 Series Riding Mower	147-6345
Universal Mount Kit, Z Master 2000 or 4000 Series Riding Mower	147-6346
Kit-Baffle, Turbo Force 52in	147-7361
2in Reciever Hitch Kit.....	161-2810
Bagger Kit, Z Master 2000 / 4000	78439
Z 4000 52in Completion Kit.....	78465

Notes:

Notes:

Notes:



Count on it.