



**Count on it.**

**Parts Catalog**

**52in Z Master® 4000 Series  
Riding Mower**

Model No. 74052—Serial No. 416273440 and Up



# Ordering Replacement Parts

To order replacement parts, please supply the part number, the quantity, and the description of each part desired.

## Understanding Reference Numbers

Each identified part in an illustration has a reference number. The reference number for a part also appears in the parts list, along with other information about the part.

This catalog uses two special reference number formats, one to indicate parts in a service assembly and another to indicate the quantity of a given part in an illustration.

## Service Assembly Reference Numbers

Parts in service assemblies have reference numbers in the form a:b. The a represents the reference number of the entire service assembly and the b represents a sequential number unique to each part within the service assembly.

For example, a wheel assembly might be identified by reference number 6, the tire by 6:1, the valve by 6:2, and the wheel by 6:3. When you order the assembly identified by reference number 6, you receive all parts identified by reference numbers 6:1, 6:2, and 6:3. However, you may also order any part individually. Reference numbers of this type appear in illustration and in parts lists.

## Reference Numbers Indicating Quantity

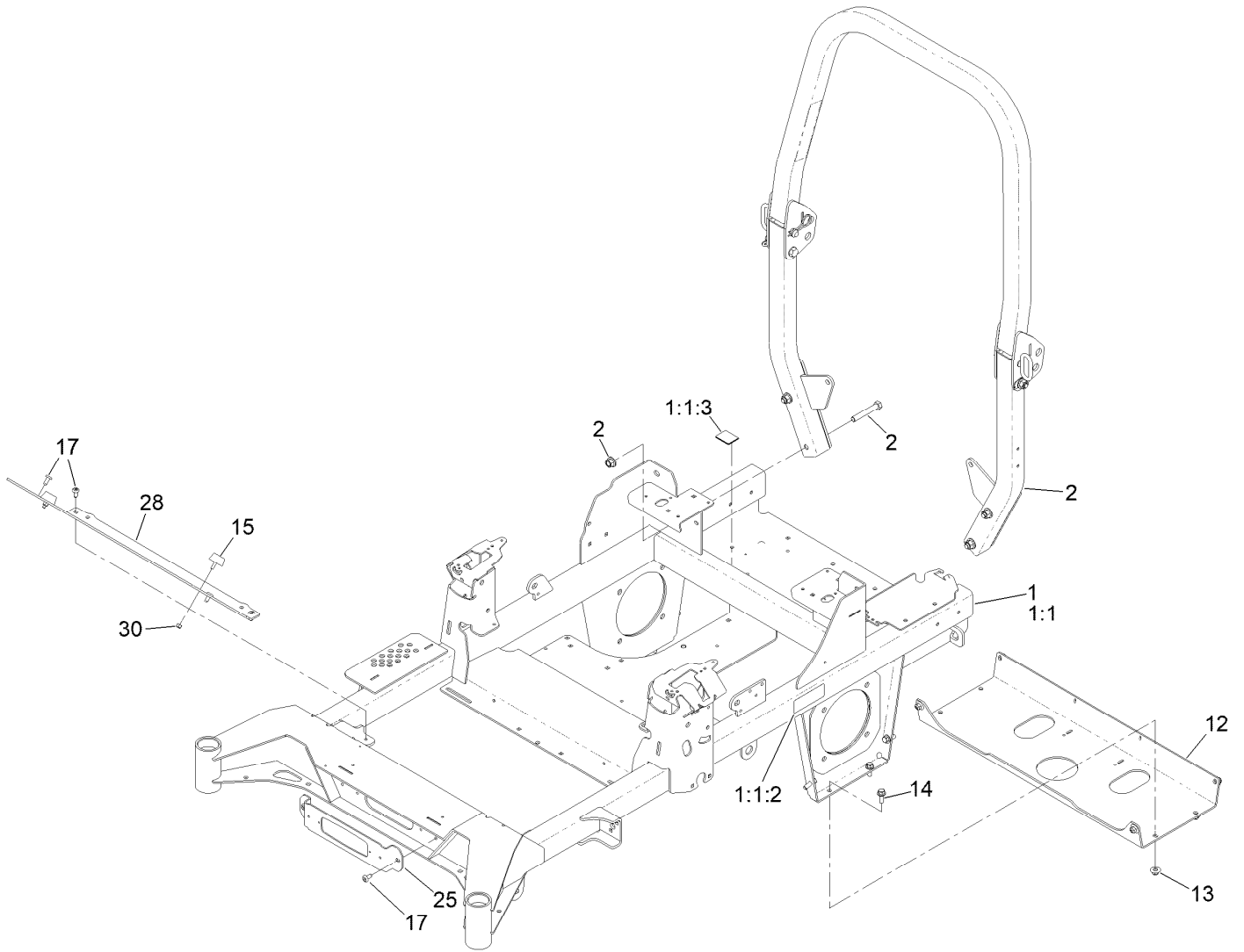
In an illustration, if a reference number indicates more than one part, the reference number has the form nX y. The n represents the quantity of the part, the X is the multiplication symbol, and the y represents the reference number.

For example, in an illustration, the reference number 2X 37 means that two of the parts identified by reference number 37 are indicated.

# Contents

Frame Assembly	4
Roll-Over Protection System Assembly No. 139-8063	6
Hydraulic Drive Assembly	8
LH Transaxle Assembly No. 145-3696	10
RH Transaxle Assembly No. 145-3695	12
Throttle, Choke Cable and Guard Assembly	14
Fuel System Assembly	16
Fuel Tank Assembly No. 139-6722	18
Tank Retainer Assembly	20
Motion Control Assembly	22
Left and Right Control Arm Assembly	24
Caster Wheel Assembly	26
Caster Wheel and Fork Assembly	28
Rear Wheel Assembly	30
Electrical Assembly	32
Wire Harness Assembly No. 139-8078	34
Deck Lift Assembly	36
Deck Strut Assembly No. 140-1179	38
Engine, Clutch and Muffler Assembly	40
Seat Suspension Platform Assembly	42
Seat Assembly No. 144-2631	44
Decal Assembly	46
Deck Assembly	48
Deck Decal Assembly No. 147-4996	50
Spindle Assembly No. 137-9780	52
Deflector Assembly No. 144-2635	54
Idler Arm Assembly No. 139-1087	56
Attachments and Accessories	58

# Frame Assembly

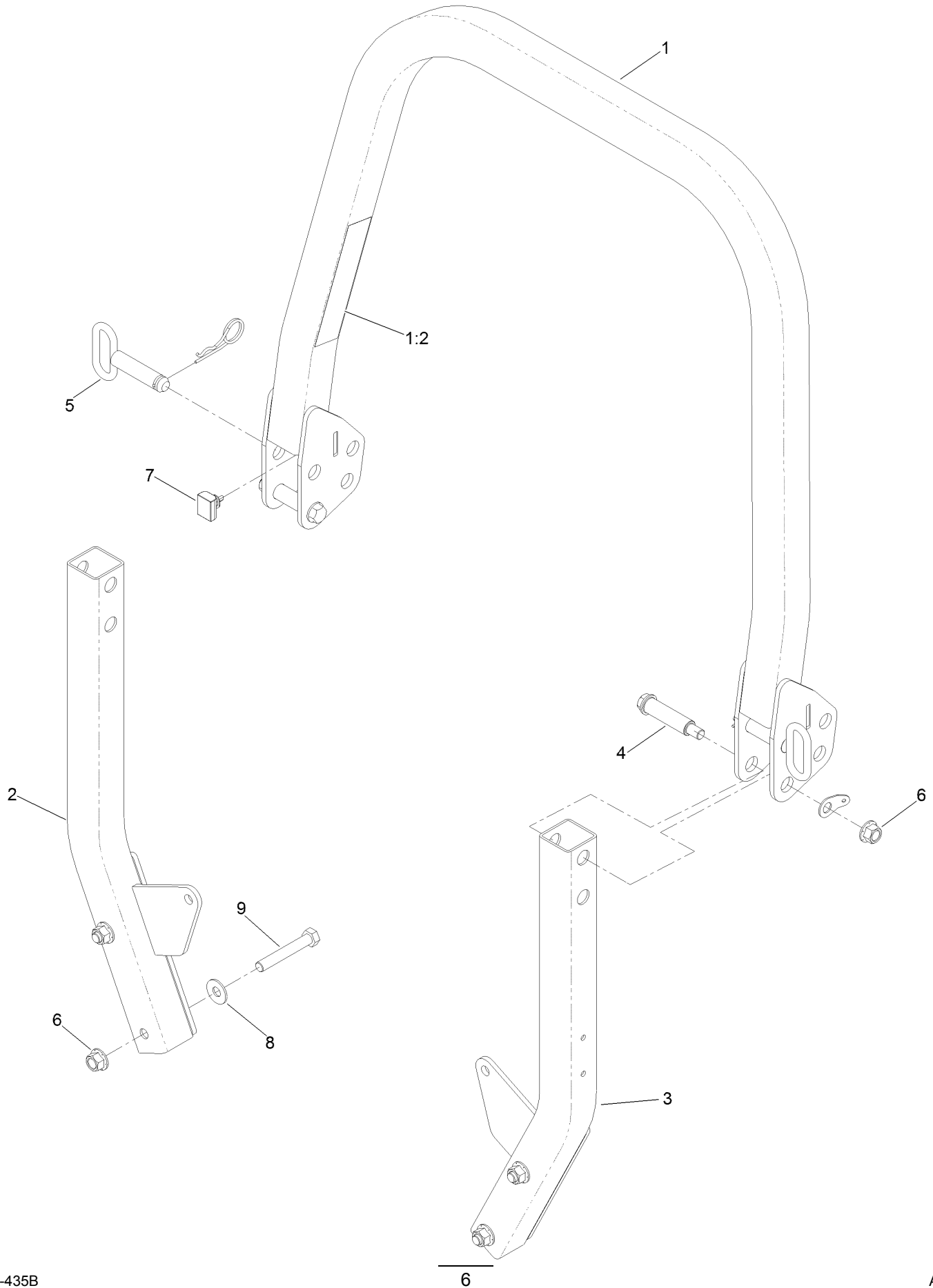


## Frame Assembly (continued)

<i>Ref.</i>	<i>Part Number</i>	<i>Qty.</i>	<i>Description</i>	<i>Ref.</i>	<i>Part Number</i>	<i>Qty.</i>	<i>Description</i>
1	147-7830	1	Frame ASM-48/52	14	3234-42	8	Screw-HHF
1:1		1	Frame ASM-48/52 ●	15	131-8834	2	Bumper
1:1:2	126-4363	2	Decal-Warning	17	138-9753	6	Screw
1:1:3	144-2687	1	Decal, Belt Routing	25	140-4994-01	1	Bracket-Light
2	139-8063	1	ASM-ROPS	28	140-4997-01	1	Toeboard
12	139-6717-01	1	Plate-Hydro	30	3296-42	2	Nut-Lock, NI
13	109-6658	8	Nut-Flange, NI				

● Not serviced separately

# Roll-Over Protection System Assembly No. 139-8063

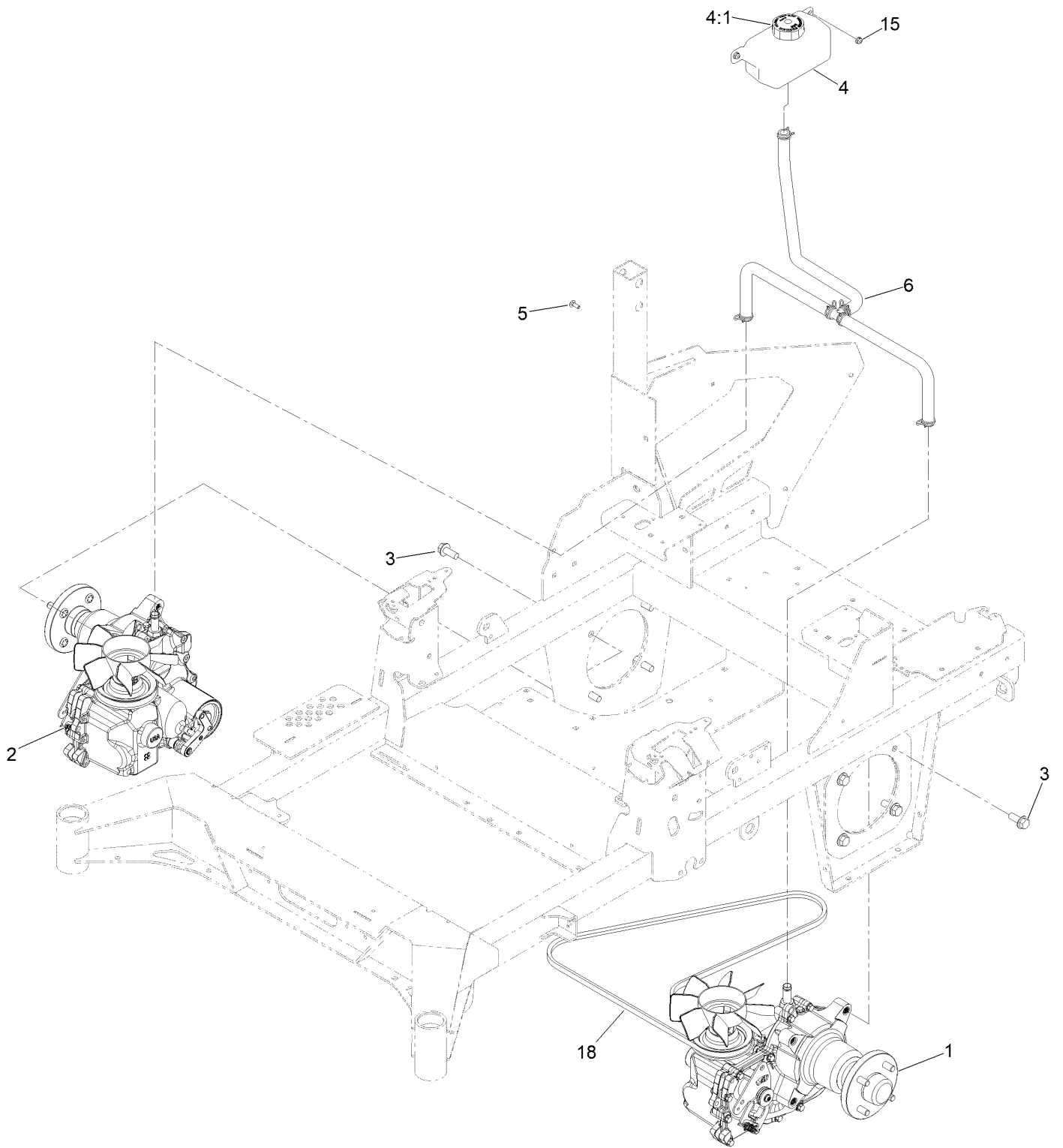


# Roll-Over Protection System Assembly No. 139-8063 (continued)

<i>Ref.</i>	<i>Part Number</i>	<i>Qty.</i>	<i>Description</i>	<i>Ref.</i>	<i>Part Number</i>	<i>Qty.</i>	<i>Description</i>
1		1	Upper ROPS ASM ●	4	126-9209	2	Bolt-Shoulder
1:2	107-3069	1	Decal-Warning	5	103-4553	2	ROPS Fold Pin ASM
2		1	ASM-ROPS, RH Suspension [black] ●	6	99-5107	6	Nut-Lock
3		1	ASM-ROPS, LH Suspension [black] ●	7	109-5337	2	Bumper-ROPS
				8	109-9505	4	Washer-Spring
				9	325-13	4	Screw-HH

● Not serviced separately

# Hydraulic Drive Assembly





## Hydraulic Drive Assembly (continued)

<i>Ref.</i>	<i>Part Number</i>	<i>Qty.</i>	<i>Description</i>	<i>Ref.</i>	<i>Part Number</i>	<i>Qty.</i>	<i>Description</i>
1	145-3696	1	LH Transaxle ASM W/Arm	5	3229-28	2	Screw-CARR
2	145-3695	1	RH Transaxle ASM W/Arm	6	140-1225	1	ASM-Hose, Hydraulic
3	3234-38	8	Screw-HHF	15	104-7201	2	Nut-HF, NI
4	119-9908	1	Hydraulic Reservoir ASM	18	140-7994	1	Belt-V
4:1	109-3320	1	Cap-Reservoir, HYD				

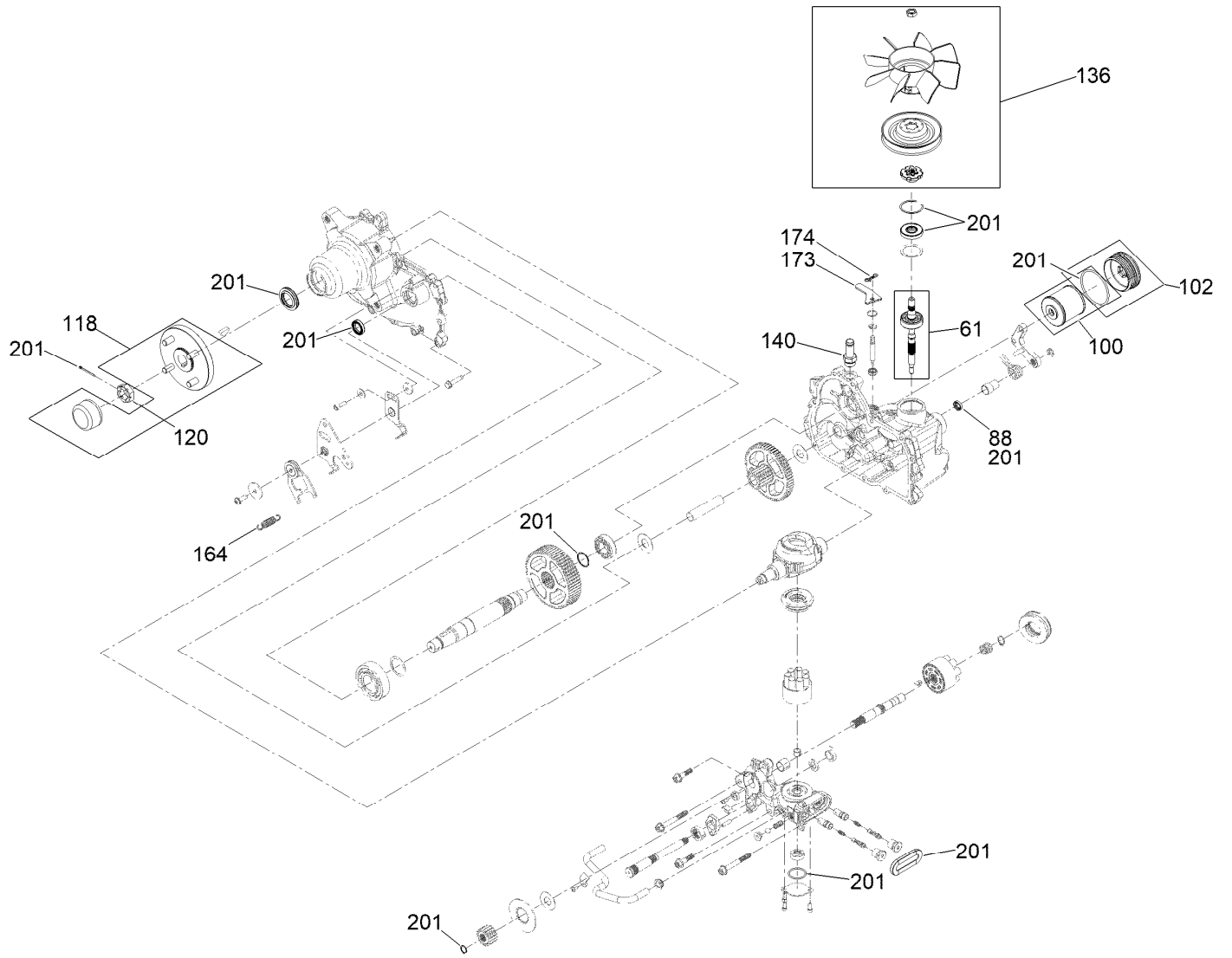
# LH Transaxle Assembly No. 145-3696



## LH Transaxle Assembly No. 145-3696 (continued)

<i>Ref.</i>	<i>Part Number</i>	<i>Qty.</i>	<i>Description</i>	<i>Ref.</i>	<i>Part Number</i>	<i>Qty.</i>	<i>Description</i>
61	147-1671	1	Kit, Input Shaft	136	144-6597	1	Kit, Fan And Pulley
88	145-3637	1	Seal, Brake	140	144-6601	1	Fitting-5/8 Beaded, 7/8 SAE
100	144-6598	1	Kit, Filter	164	125-4684	1	Spring-Extension
102	144-6599	1	Kit, Filler Cap	173	139-8091	1	Plate-Lever, Bypass
118	144-6594	1	Hub-4 Bolt	174	119-1415	1	Pin-Cotter, Locking
120	144-6595	1	Nut, Slotted	201	144-6600	1	Kit, Seal

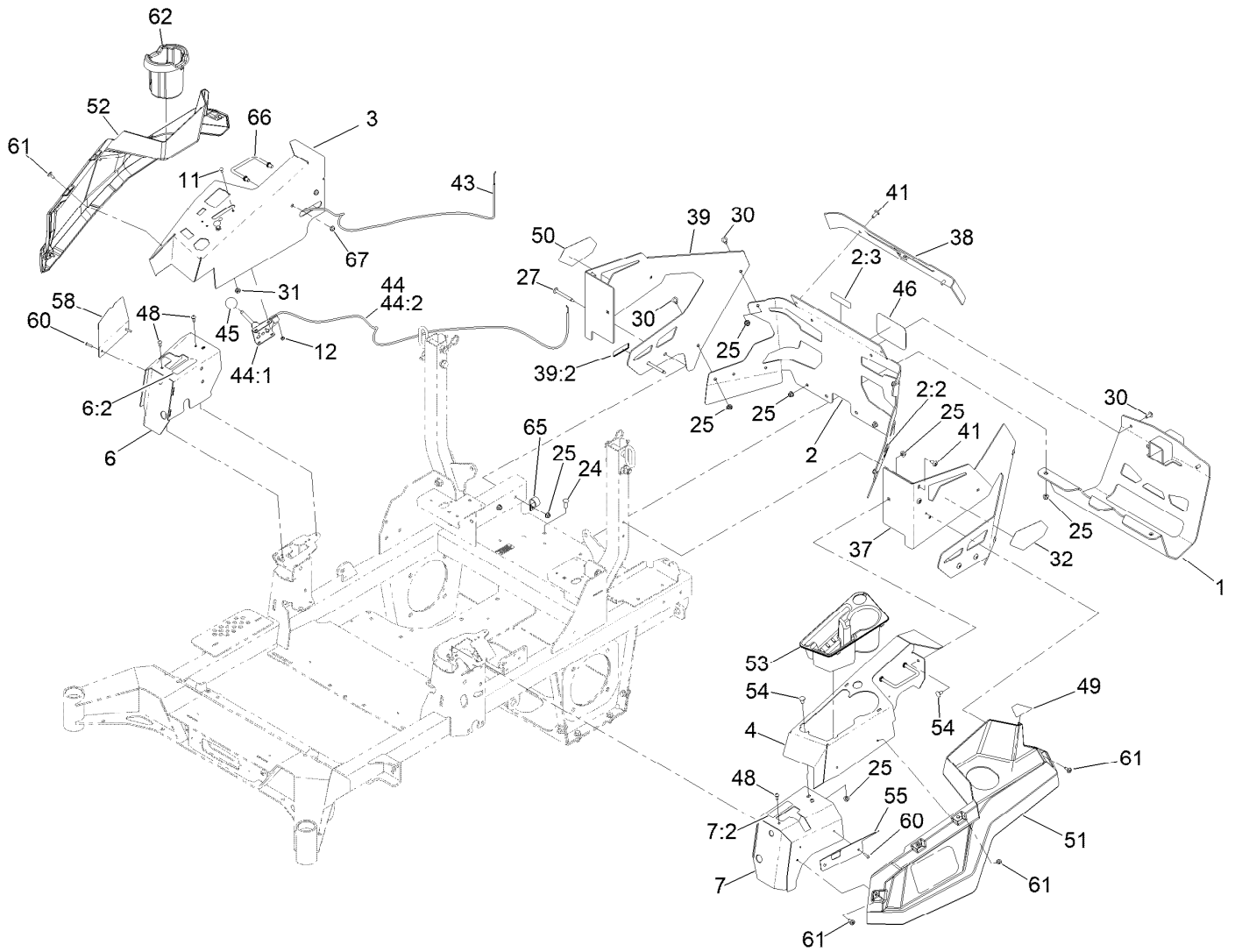
# RH Transaxle Assembly No. 145-3695



## RH Transaxle Assembly No. 145-3695 (continued)

<i>Ref.</i>	<i>Part Number</i>	<i>Qty.</i>	<i>Description</i>	<i>Ref.</i>	<i>Part Number</i>	<i>Qty.</i>	<i>Description</i>
61	147-1671	1	Kit, Input Shaft	136	144-6597	1	Kit, Fan And Pulley
88	145-3637	1	Seal, Brake	140	144-6601	1	Fitting-5/8 Beaded, 7/8 SAE
100	144-6598	1	Kit, Filter	164	125-4684	1	Spring-Extension
102	144-6599	1	Kit, Filler Cap	173	139-8091	1	Plate-Lever, Bypass
118	144-6594	1	Hub-4 Bolt	174	119-1415	1	Pin-Cotter, Locking
120	144-6595	1	Nut, Slotted	201	144-6600	1	Kit, Seal

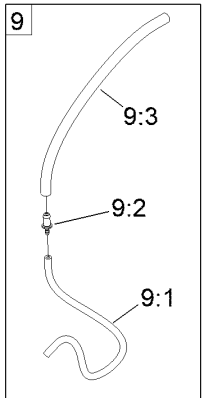
# Throttle, Choke Cable and Guard Assembly



## Throttle, Choke Cable and Guard Assembly (continued)

<i>Ref.</i>	<i>Part Number</i>	<i>Qty.</i>	<i>Description</i>	<i>Ref.</i>	<i>Part Number</i>	<i>Qty.</i>	<i>Description</i>
1	147-2408-03	1	Guard-Muffler	41	138-9753	6	Screw
2	161-6769	1	Rear Guard ASM	43	144-2647	1	Cable-Choke Control
2:2	106-5517	2	Decal-Warning	44	110-5727	1	Throttle Control ASM
2:3	161-6763	1	Decal-Hitch	44:1	112-2334	1	Lever-Throttle
3	144-6551-01	1	Console-RH	44:2	110-5728	1	Cable-Throttle
4	145-1287-01	1	Console-LH	45	1-603175	1	Knob-Ball
6	140-4867	1	RH Cover ASM	46	105-8278	1	Decal
6:2	99-8936	1	Decal-Control, Motion	48	87-6620	4	Screw-Tph Thd Form
7	140-4866	1	LH Cover ASM	49	126-9939	1	Decal-Fill, Fuel
7:2	99-8936	1	Decal-Control, Motion	50	140-7987	1	Decal-4000 Series, RH
11	1-807513	2	Bolt-CARR	51	140-7979	1	Side Pod, LH
12	3296-2	2	Nut-Lock, NI	52	140-7980	1	Side Pod, RH
24	3230-22	2	Screw-CARR	53	140-7968	1	Cup Holder
25	104-8300	16	Nut-HF, NI	54	3230-18	4	Screw-CARR
27	126-6267	4	Screw-TTH	55	140-7996-03	1	Plate-Cover, LH Front
30	126-6268	6	Screw-TTH	58	140-7998-03	1	Plate-Cover, RH Front
31	3220-3	1	Nut-HJ	60	130-8451	4	Rivet-Trifold
32	139-1149	1	Decal - 4000 Series, LH	61	120-7950	8	Screw-Torx
37	145-6964-01	1	Guard-Rear, LH	62	140-8019	1	Cupholder-RH
38	140-1221-01	1	Guard-Rear, Top	65	110-0824	1	R-Clamp
39	145-7012	1	RH Rear Guard ASM	66	144-2642	2	Rod-Support, Pod
39:2	133-8062	1	Decal-Spark Arrestor	67	3296-59	4	Nut-Lock, NI

# Fuel System Assembly





## Fuel System Assembly (continued)

<i>Ref.</i>	<i>Part Number</i>	<i>Qty.</i>	<i>Description</i>	<i>Ref.</i>	<i>Part Number</i>	<i>Qty.</i>	<i>Description</i>
1	139-6722	1	Fuel Tank ASM	7:1	109-0298	1	Line-Fuel
2	137-4119	1	Cap-Fuel, Ratcheting	7:2	114-3766	1	Hose-Fuel
3	104-2490	2	Clamp-Hose	7:3	1-603770	1	Valve-Fuel
4	131-8834	2	Bumper	7:4	2412-98	4	Clamp-Hose
5	104-7201	2	Nut-HF, NI	8	126-5523	3	Clip
6	139-8067	1	Vent Hose ASM	9	140-4957	1	ASM-Fuel Vent
6:1	138-3152	2	Hose-Fuel	9:1	138-3152	1	Hose-Fuel
6:2	120-2234	1	Fitting-Tee	9:2	116-4630	1	Fitting-Orifice, Straight
6:3	140-4956	1	Hose-Fuel	9:3	116-4344	1	Hose-Fuel
7	139-8068	1	Fuel Hose ASM				

# Fuel Tank Assembly No. 139-6722



## Fuel Tank Assembly No. 139-6722 (continued)

<i>Ref.</i>	<i>Part Number</i>	<i>Qty.</i>	<i>Description</i>	<i>Ref.</i>	<i>Part Number</i>	<i>Qty.</i>	<i>Description</i>
2	46-6560	4	Bushing	5	139-8058	1	Gauge-Fuel
3	140-4955	1	Connector Elbow-90 DEG	6	126-9057	2	Fitting-90 DEG
4	133-9269	1	Grommet-Fuel	7	140-4954	1	Fitting-Tee

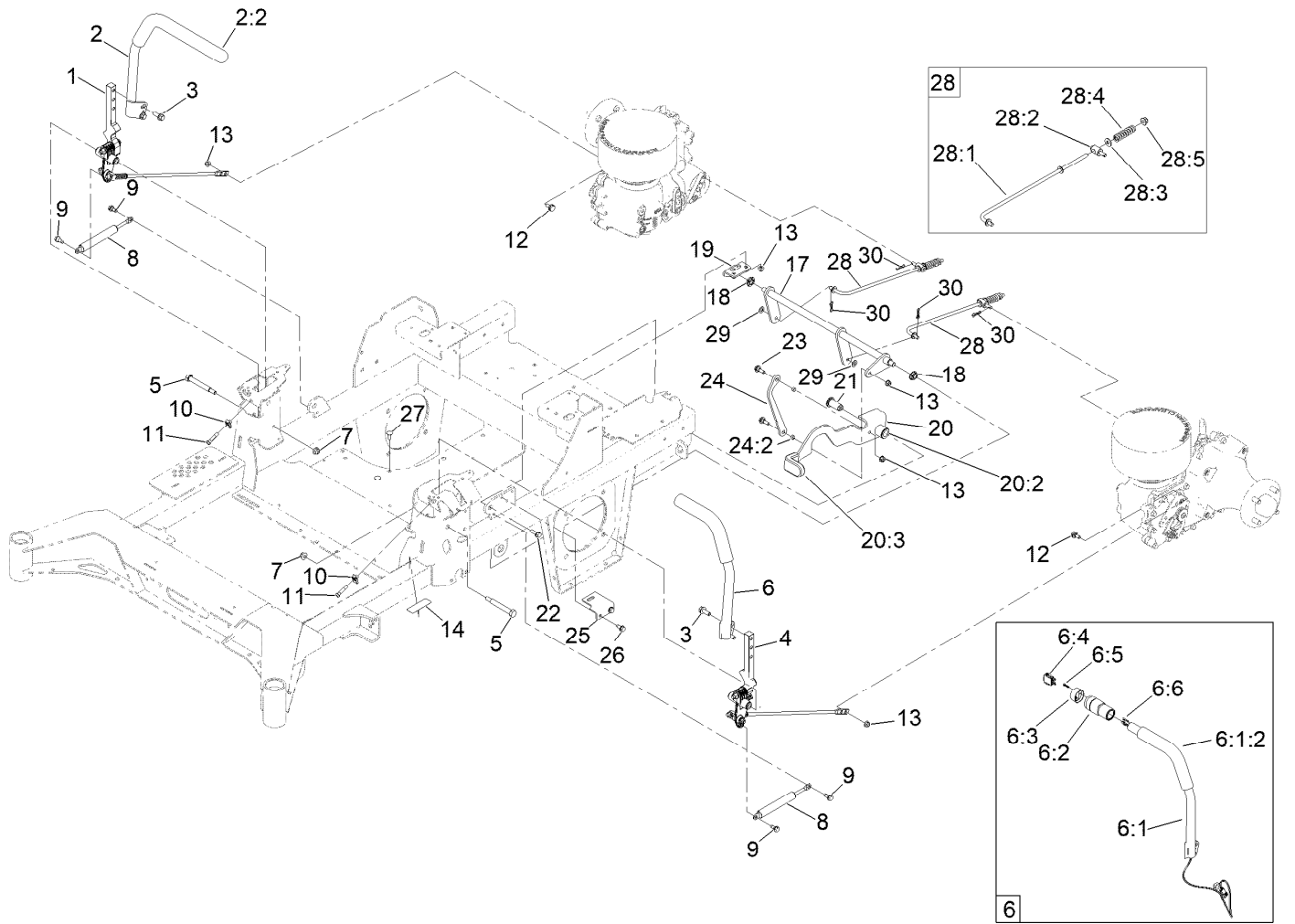
# Tank Retainer Assembly



## Tank Retainer Assembly (continued)

<i>Ref.</i>	<i>Part Number</i>	<i>Qty.</i>	<i>Description</i>	<i>Ref.</i>	<i>Part Number</i>	<i>Qty.</i>	<i>Description</i>
4	104-8300	2	Nut-HF, NI	10	138-9753	4	Screw
6	139-6706-03	1	Plate-Tank Retainer, Front	12	135-0505	4	Bumper-Seat
7	147-2436-03	1	Plate-Tank Retainer, Rear	13	1-543286	1	Grommet
8	3230-23	2	Bolt-CARR	16	109-9233	1	Bumper-Push-In, Rubber

# Motion Control Assembly

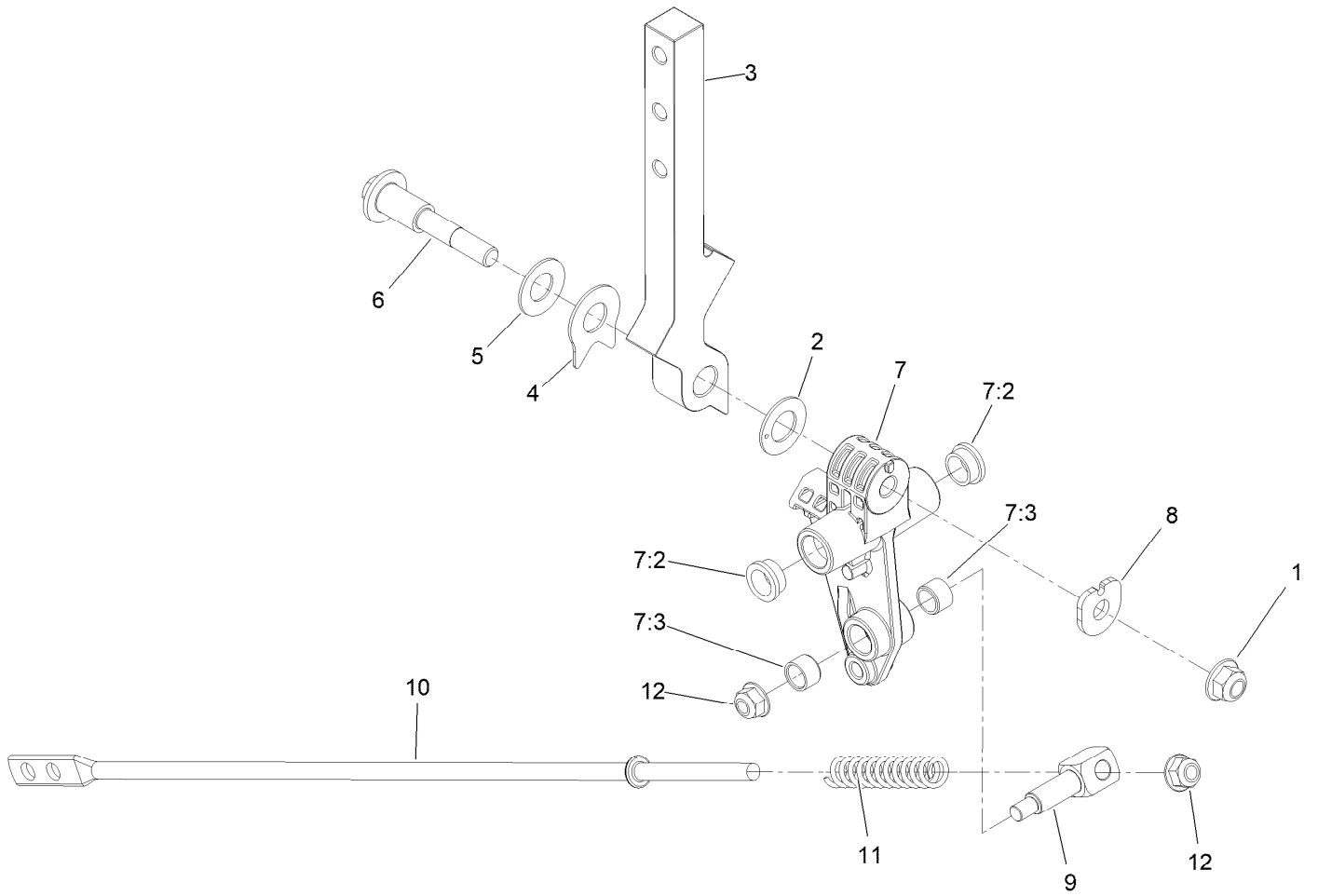


## Motion Control Assembly (continued)

<i>Ref.</i>	<i>Part Number</i>	<i>Qty.</i>	<i>Description</i>	<i>Ref.</i>	<i>Part Number</i>	<i>Qty.</i>	<i>Description</i>
1	147-5046	1	Motion Control ASM-RH	17	144-2658	1	Brake ASM
2	147-2390	1	RH Handle ASM	18	126-5820	2	Bearing-Spherical
2:2	109-5668	1	Grip-Lever, Control	19	139-6742	1	Bracket-Brake
3	110-5052	4	Screw-HHF	20	139-6726	1	Brake Lever ASM W/Grip
4	147-5047	1	Motion Control ASM-LH	20:2	109-8054	2	Bushing-Flange
5	115-5099	2	Bolt-Pivot	20:3	132-4749	1	Grip-Lever
6	147-4991	1	Handle ASM-LH	21	139-6743	1	Pivot-Handle
6:1		1	Handle ASM-LH ●	22	3234-29	1	Screw-HHF
6:1:2	109-5668	1	Grip-Lever, Control	23	116-2670	2	Screw-Shoulder
6:2	125-2662	1	Case ASM	24	144-6566	1	Brake Link ASM
6:3	121-3399	1	Cap-Switch	24:2	116-4976	2	Bushing-Sleeve
6:4	140-1228	1	Switch, Spdt (On)-Off-(On)	25	139-6745	1	Plate-Switch
6:5	94-4496	2	Screw-PPH	26	32144-70	2	Screw-HWHTF
6:6	144-0354	1	Harness-Wire, Handle	27	3230-23	2	Bolt-CARR
7	104-8301	2	Nut-HF, NI	28	144-0353	2	Brake Rod ASM
8	142-6851	2	Damper	28:1	140-4952	1	Rod-Brake
9	126-4424	4	Screw-Shoulder	28:2	139-6741	1	Fitting-Rod
10	112-3306	2	Nut	28:3	3256-3	1	Washer-Flat
11	126-4299	2	Screw-HSBH	28:4	144-2645	1	Spring-Compression
12	37-8771	2	Bolt-Shoulder, HF	28:5	104-8301	1	Nut-HF, NI
13	104-8300	6	Nut-HF, NI	29	3256-45	2	Washer-Flat
14	115-9625	1	Decal-Brake, Parking	30	119-1415	4	Pin-Cotter, Locking

● Not serviced separately

# Left and Right Control Arm Assembly

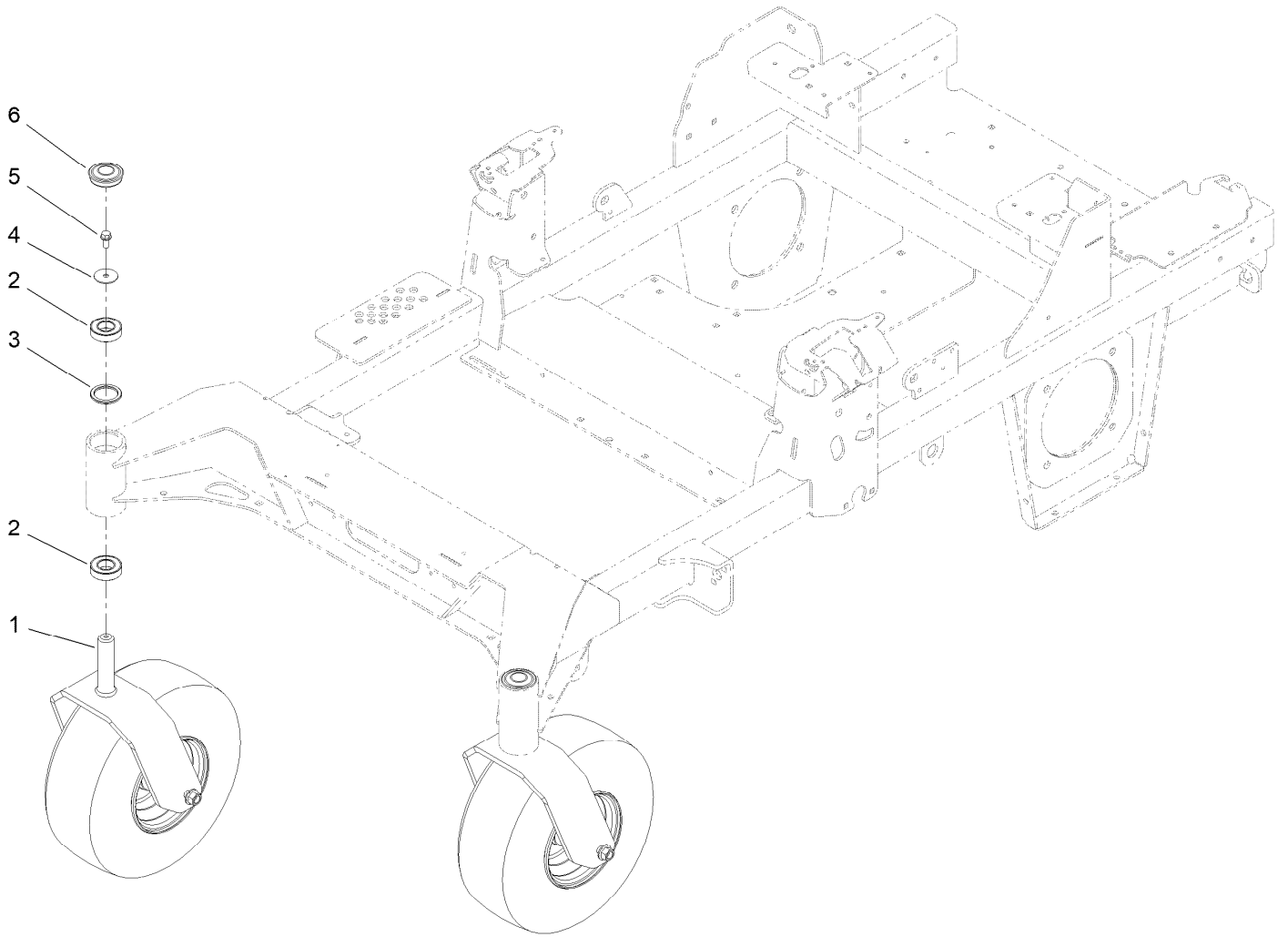




## Left and Right Control Arm Assembly (continued)

<i>Ref.</i>	<i>Part Number</i>	<i>Qty.</i>	<i>Description</i>	<i>Ref.</i>	<i>Part Number</i>	<i>Qty.</i>	<i>Description</i>
1	104-8301	1	Nut-HF, NI	7:2	126-8909	2	Bushing
2	126-7296	1	Washer-Friction	7:3	1-413152	2	Bushing-Sleeve
3	147-2389	1	Arm-Control	8	147-5048	1	Spacer-Actuator
4	142-8478	1	Spacer, Anti-Rotation	9	126-5434	1	Swivel
5	119-8925	1	Washer-Belleville	10	140-4949	1	Link-Control
6	117-1198	1	Bolt-Pivot	11	126-8195	1	Spring-Return, Neutral
7	145-5798	1	ASM-Control Arm	12	104-8300	2	Nut-HF, NI

# Caster Wheel Assembly



## Caster Wheel Assembly (continued)

<i>Ref.</i>	<i>Part Number</i>	<i>Qty.</i>	<i>Description</i>	<i>Ref.</i>	<i>Part Number</i>	<i>Qty.</i>	<i>Description</i>
1		2	ASM-Front Caster W/Fork ●	4	3256-68	2	Washer-Flat
2	109-3678	4	Bearing-Ball	5	100-1668	2	Screw-HHF
3	145-3660	2	Spacer-Bearing	6	144-0375	2	Cap, Grease

● Not serviced separately

# Caster Wheel and Fork Assembly



## Caster Wheel and Fork Assembly (continued)

<i>Ref.</i>	<i>Part Number</i>	<i>Qty.</i>	<i>Description</i>	<i>Ref.</i>	<i>Part Number</i>	<i>Qty.</i>	<i>Description</i>
1	147-0295-01	1	15In Caster Fork [red]	2:1:2		1	Caster Axle ASM ●
2	140-4943	1	ASM-Pneumatic 15X6.50-6	2:1:2:1	126-5220	1	Axle-Caster
2:1		1	ASM Whl/Brgs 15X6.5-6 ●	2:1:2:2	103-3051	1	Spacer-Nut
2:1:1	140-4945	1	Wheel And Tire ASM 15X6.5-6	2:1:3	1-633585	2	Bearing-Cone, Taper
2:1:1:1	139-3624	1	Wheel Rim 6X4.5	2:1:5	103-0063	2	Seal-Caster
2:1:1:2	5108	1	Valve	2:2	103-2768	2	Guard-Seal
2:1:1:3	140-4946	1	Tire	2:3	126-5389	1	Screw-HHF
				2:4	99-5107	1	Nut-Lock

● Not serviced separately

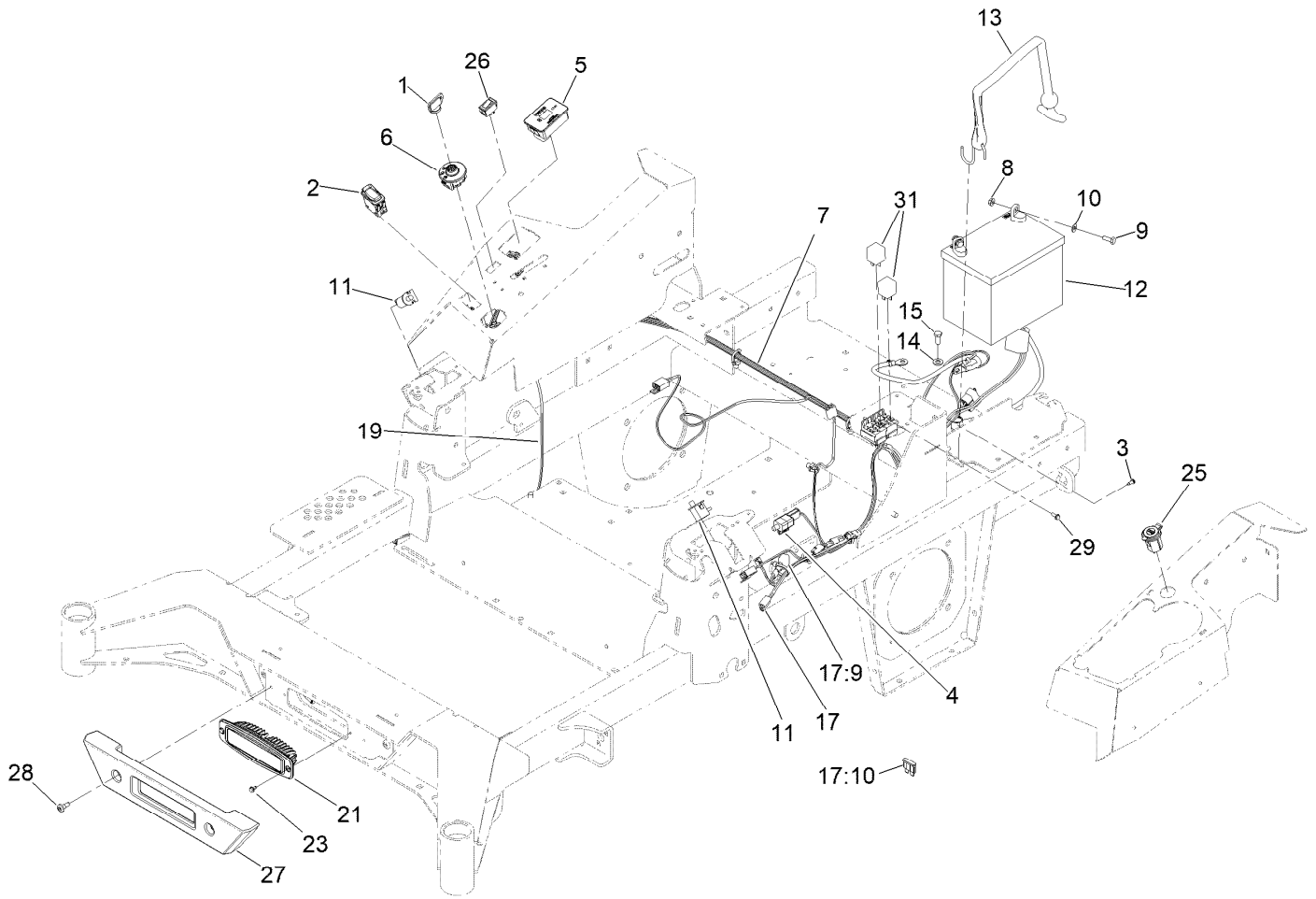
# Rear Wheel Assembly



## Rear Wheel Assembly (continued)

<i>Ref.</i>	<i>Part Number</i>	<i>Qty.</i>	<i>Description</i>	<i>Ref.</i>	<i>Part Number</i>	<i>Qty.</i>	<i>Description</i>
1	140-7981	2	Wheel And Tire ASM	1:3	232-27	1	Stem-Valve
1:1	140-7969	1	Wheel	2	242-50	2	Nut-Lug
1:2	140-7985	1	Tire				

# Electrical Assembly





## Electrical Assembly (continued)

<i>Ref.</i>	<i>Part Number</i>	<i>Qty.</i>	<i>Description</i>	<i>Ref.</i>	<i>Part Number</i>	<i>Qty.</i>	<i>Description</i>
1	1-603511	1	Keys-Ignition (Spare Pair)	14	33094-00	1	Washer-Plain
1	63-8360	1	Key-Ignition	15	33114-020	1	Screw-HH
2	139-6368	1	Switch-Rocker, On-None-On	17	140-1200	1	Harness-Wire, Deck Lift
3	99-8445	1	Screw-HWH	17:9	103-3895	1	Diode
4	110-6765	1	Switch	17:10	109101	1	Fuse-Blade, 20 Amp
5	116-5609	1	Module ASM	19	140-1213	1	Harness-Wire, Light Kit
6	137-4100	1	Switch-Ignition	21	139-8089	1	Mount-Flush, Light
7	139-8078	1	Harness-Wire	23	104-2065	2	Screw-HWH
8	32128-33	2	Nut-HF	25	140-7955	1	Port-Power, USB
9	321-4	2	Screw-HH	26	92-8875	1	Switch-Rocker
10	3256-22	2	Washer-Flat	27	140-4993	1	Bumper-Front
11	82-2190	2	Switch-Bail	28	135-2015	2	Screw-Shoulder
12	104-8162	1	Battery	29	32144-1	1	Screw-Taptite
13	142-8697	1	Strap, Bungee	31	1-643275	2	Relay

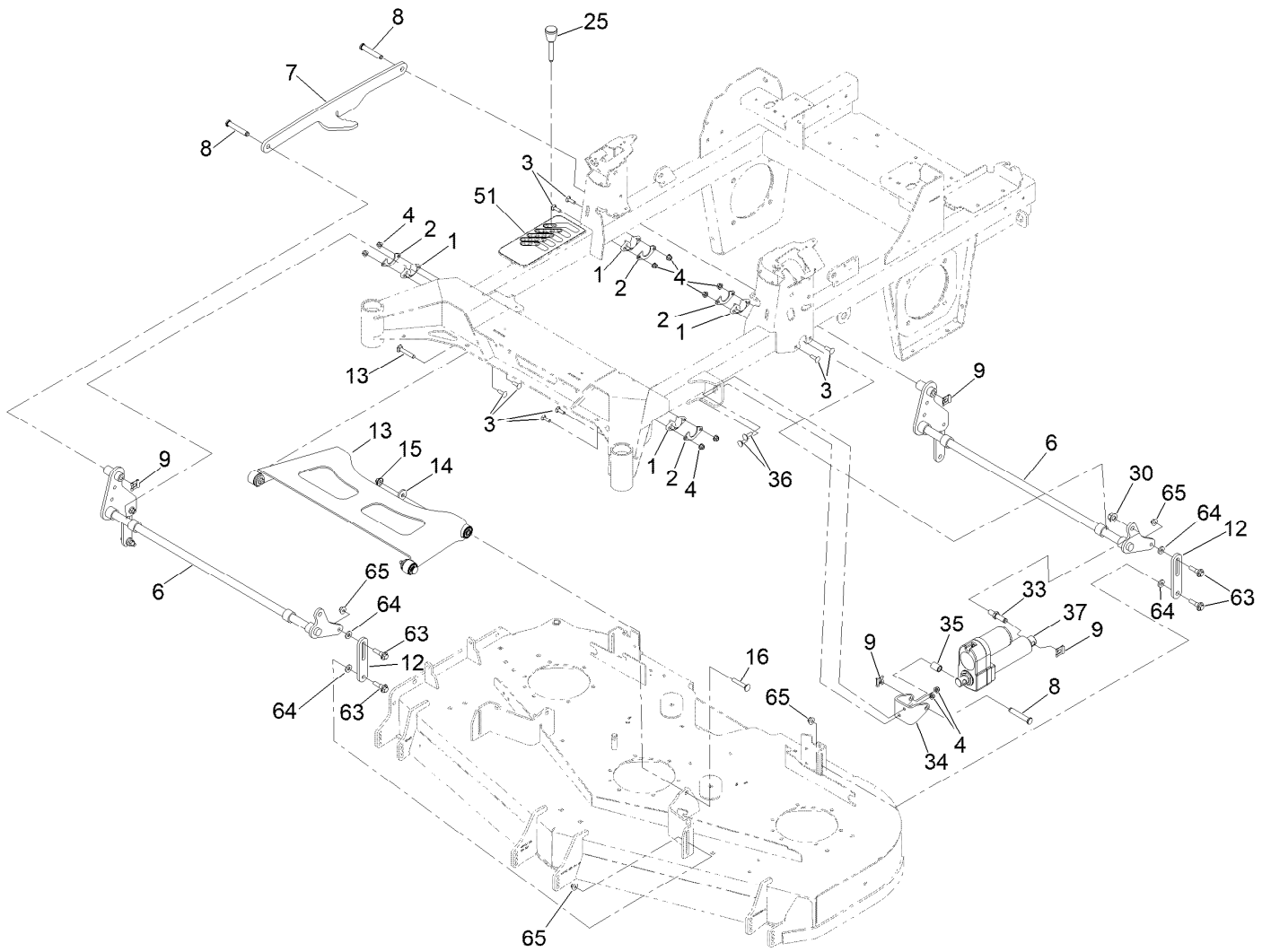
# Wire Harness Assembly No. 139-8078



## Wire Harness Assembly No. 139-8078 (continued)

<i>Ref.</i>	<i>Part Number</i>	<i>Qty.</i>	<i>Description</i>	<i>Ref.</i>	<i>Part Number</i>	<i>Qty.</i>	<i>Description</i>
11	116-0053	3	Cap-Plug	16	32180-176	1	Cover-Block, Fuse
12	103-3895	1	Diode	17	32180-177	1	Clip-Mounting
13	121-8867	1	Fuse-Mini Blade, 15 Amp	18	126-8876	1	Insulator-Battery
14	121-8868	1	Fuse-Mini Blade, 20 Amp	19	1-543393	1	Insulator-Solenoid
15	126-3991	1	Relay-Micro	24	121-8869	1	Fuse-Mini Blade, 25 Amp

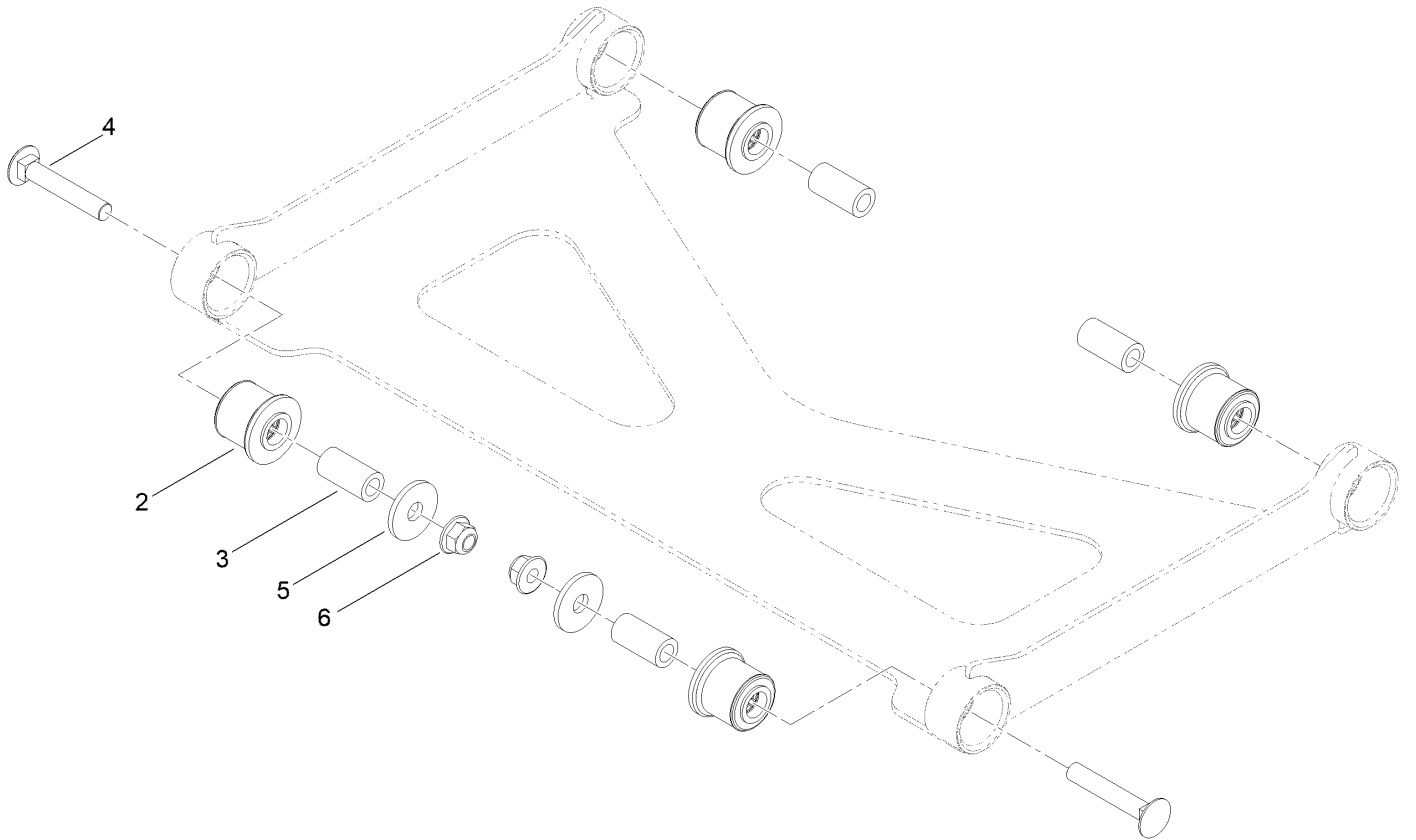
# Deck Lift Assembly



## Deck Lift Assembly (continued)

<i>Ref.</i>	<i>Part Number</i>	<i>Qty.</i>	<i>Description</i>	<i>Ref.</i>	<i>Part Number</i>	<i>Qty.</i>	<i>Description</i>
1	139-5872	4	Bearing-Flange	16	3231-7	2	Screw-CARR
2	116-2887	4	Gusset-Lift, Deck	25	126-5401	1	Pin-HOC
3	3230-22	8	Screw-CARR	30	99-5107	1	Nut-Lock
4	104-8300	12	Nut-HF, NI	33	139-8135	1	Pin-Pivot, Actuator
6	140-4975-03	2	Shaft-Lift, Deck	34	147-0271-01	1	CYL Mount Plate
7	126-4639-03	1	Link-HOC	35	127-6751	1	Spacer-Aluminum
8	126-9181	3	Pin-Clevis	36	3230-2	2	Bolt-CARR
9	138-8491	4	Clip-Pin	37	139-8111	1	Actuator-Linear
12	145-5702-03	4	Link-Lift, Deck	51	139-6699	1	Decal-HOC
13	140-1179	1	Deck Strut W/ Bushings ASM	63	130-0742	8	Bolt-Shoulder
14	1-373034	2	Washer	64	43-0940	8	Spacer
15	109-6658	2	Nut-Flange, NI	65	104-8301	8	Nut-HF, NI

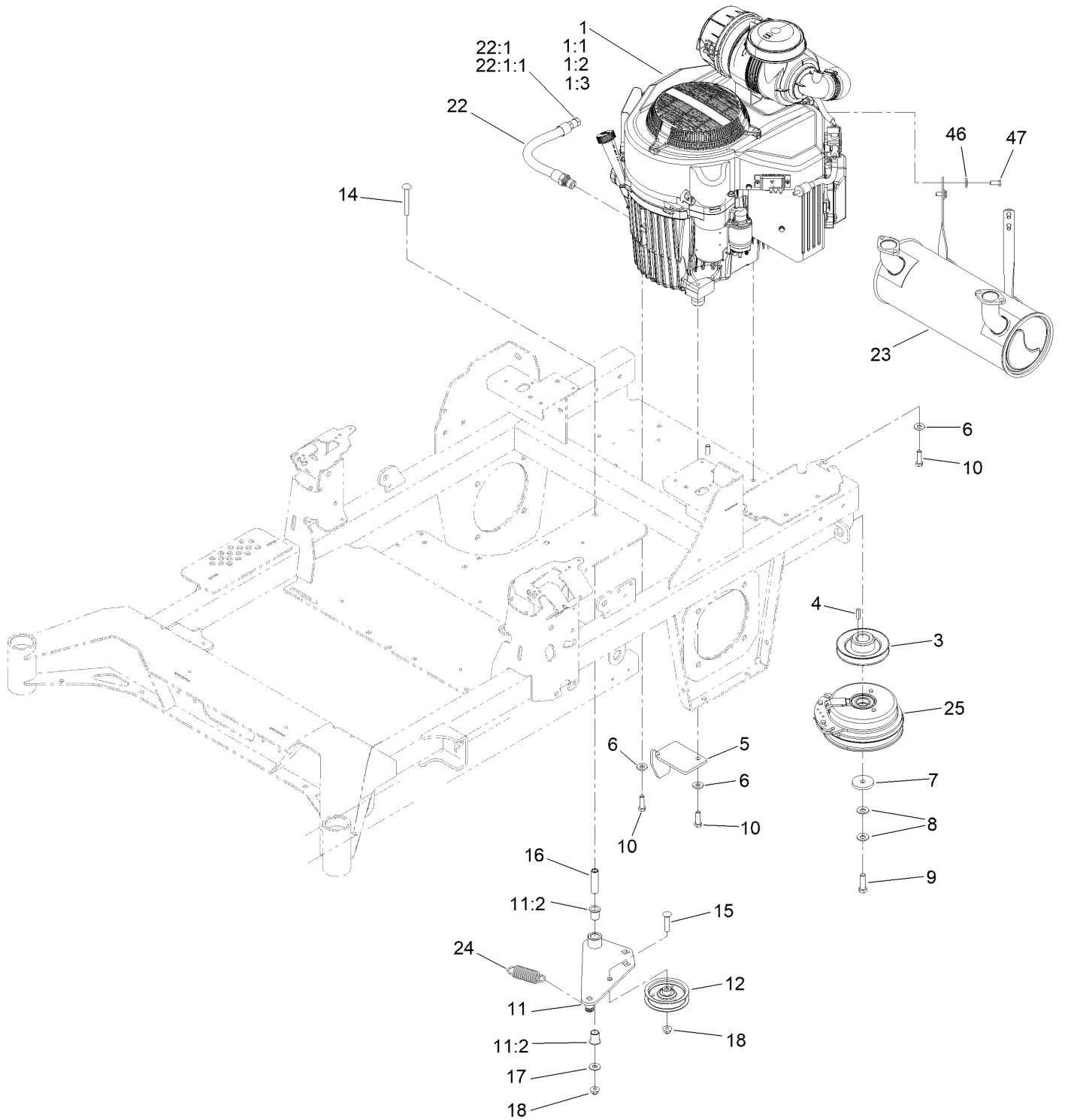
# Deck Strut Assembly No. 140-1179



## Deck Strut Assembly No. 140-1179 (continued)

<i>Ref.</i>	<i>Part Number</i>	<i>Qty.</i>	<i>Description</i>	<i>Ref.</i>	<i>Part Number</i>	<i>Qty.</i>	<i>Description</i>
2	126-8360	4	Bushing-Rubber, Suspension	4	3231-7	2	Screw-CARR
3	108-6544	4	Spacer	5	2844	2	Washer
				6	104-8301	2	Nut-HF, NI

# Engine, Clutch and Muffler Assembly





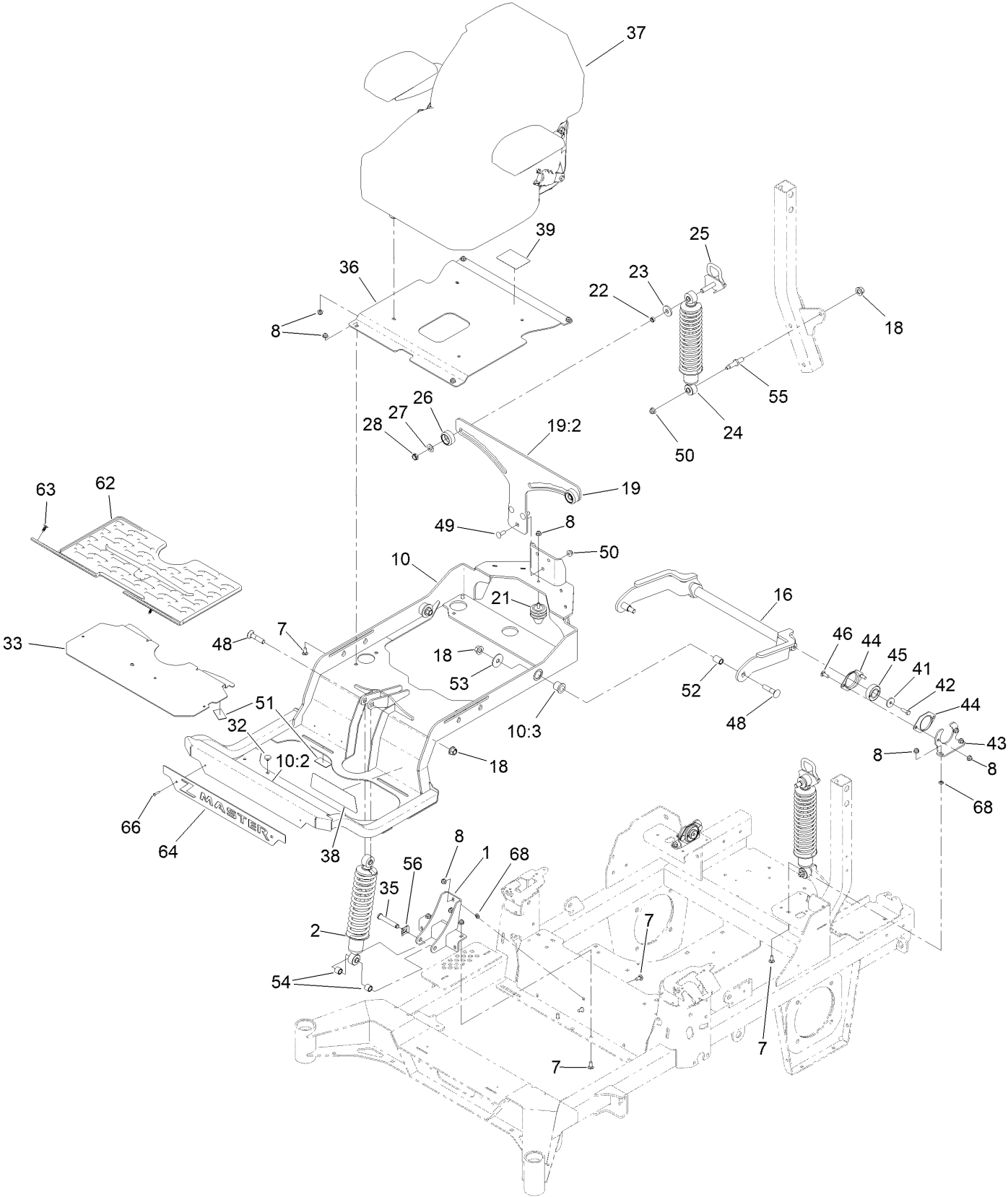
## Engine, Clutch and Muffler Assembly (continued)

<i>Ref.</i>	<i>Part Number</i>	<i>Qty.</i>	<i>Description</i>	<i>Ref.</i>	<i>Part Number</i>	<i>Qty.</i>	<i>Description</i>
1		1	Engine-Kawasaki, Fx921V-_s25-R ■▲	11:2	138-2573	2	Bushing-Flange
1:1		1	Filter-Oil Kaw ■▲	12	140-4964	1	Pulley-Idler, Flat
1:2		1	Element-Filter, Air (Outer) ■ ▲	14	3231-42	1	Screw-CARR
1:3		1	Element-Filter, Air (Inner) ■ ▲	15	3231-29	1	Screw-CARR
3	139-6702	1	Sheave, W/Hub	16	139-6690	1	Bushing, Idler Pivot
4	1-807259	1	Key	17	3256-4	1	Washer-Flat
5	140-1190	1	Anchor-Clutch	18	104-8301	2	Nut-HF, NI
6	98-5975	4	Washer-Belleville	22	116-4924	1	Engine Oil Drain Hose ASM
7	109-6919	1	Washer-Plain	22:1	353-508	1	Plug-HH ●
8	1-603610	2	Washer-Spring	22:1:1	237-42	1	O-Ring
9	109-9761	1	Screw-HH	23	140-8002	1	Muffler
10	323-7	4	Screw-HH	24	1-653331	1	Spring-Idler
11	144-2671	1	Idler Arm ASM	25	116-1604	1	Clutch
				46	1-303334	4	Washer-Spring
				47	33114-020	4	Screw-HH

● Torque to 24-26 ft-lb  
▲ Obtain parts from [www.kawpower.com](http://www.kawpower.com)

■ Not serviced separately

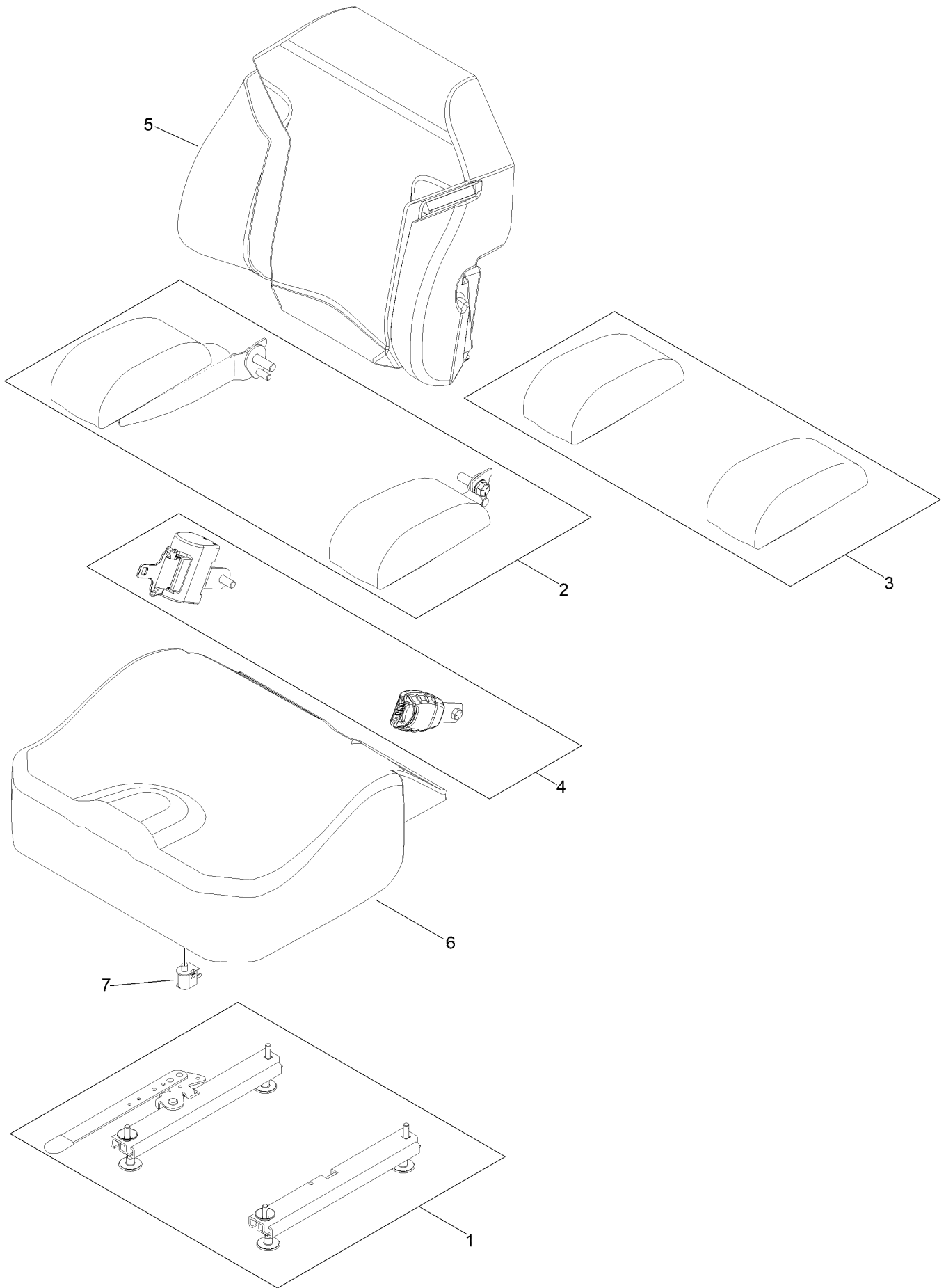
# Seat Suspension Platform Assembly



## Seat Suspension Platform Assembly (continued)

<i>Ref.</i>	<i>Part Number</i>	<i>Qty.</i>	<i>Description</i>	<i>Ref.</i>	<i>Part Number</i>	<i>Qty.</i>	<i>Description</i>
1	139-6691-03	1	Mount-Shock, Lower [black]	37	144-2631	1	Seat ASM-Standard
2	136-1719	1	Shock ASM-Front	38	144-0437	1	Decal-Myride
7	3230-23	4	Bolt-CARR	39	144-2669	1	Decal-Service Aid
8	104-8300	21	Nut-HF, NI	41	105-3048	2	Washer-Flat
10	147-4978	1	Subframe ASM	42	116-0648	2	Screw-HH, Thread Locking
10:2	132-0871	1	Decal-Danger	43	127-6759-03	2	Bracket-Bearing
10:3	127-6745	2	Bushing-Flange	44	127-6743	4	Housing-Bearing, Flange
16	127-6754-03	1	Arm-Trailing	45	1-653346	2	Bearing
18	99-5107	5	Nut-Lock	46	3230-10	8	Bolt-CARR
19	144-2602	1	Bracket-Mounting	48	127-6768	3	Screw-CARR
19:2	132-5067	1	Decal-Adjustment, Ride	49	3231-22	3	Screw-CARR
21	126-5491	1	Isolator	50	104-8301	5	Nut-HF, NI
22	133-5109	2	Bearing-Sleeve	51	130-0733	4	Pad-Rubber
23	131-4699	2	Washer-Plastic	52	127-6751	2	Spacer-Aluminum
24	133-1815	2	Shock/Spring ASM	53	86-1990	2	Washer-Thrust
25	136-9017	2	Cam Lock ASM	54	140-4869	2	Spacer-Tube
26	136-5636	2	Knob-Lock, Cam	55	133-4401	2	Bolt-Shoulder
27	3-6803	2	Washer-Adjusting	56	138-8491	1	Clip-Pin
28	3296-45	2	Nut-Hex	62	144-0355	1	Floormat-Myride
32	1-513658	2	Bumper	63	117-2382	2	Plug-Plastic
33	144-0381-01	1	Floorpan	64	147-4956-03	1	Plate-Badge
35	126-9181	1	Pin-Clevis	66	130-8451	2	Rivet-Trifold
36	140-1197-03	1	Pan-Seat	68	117-2749	6	Nut-Push

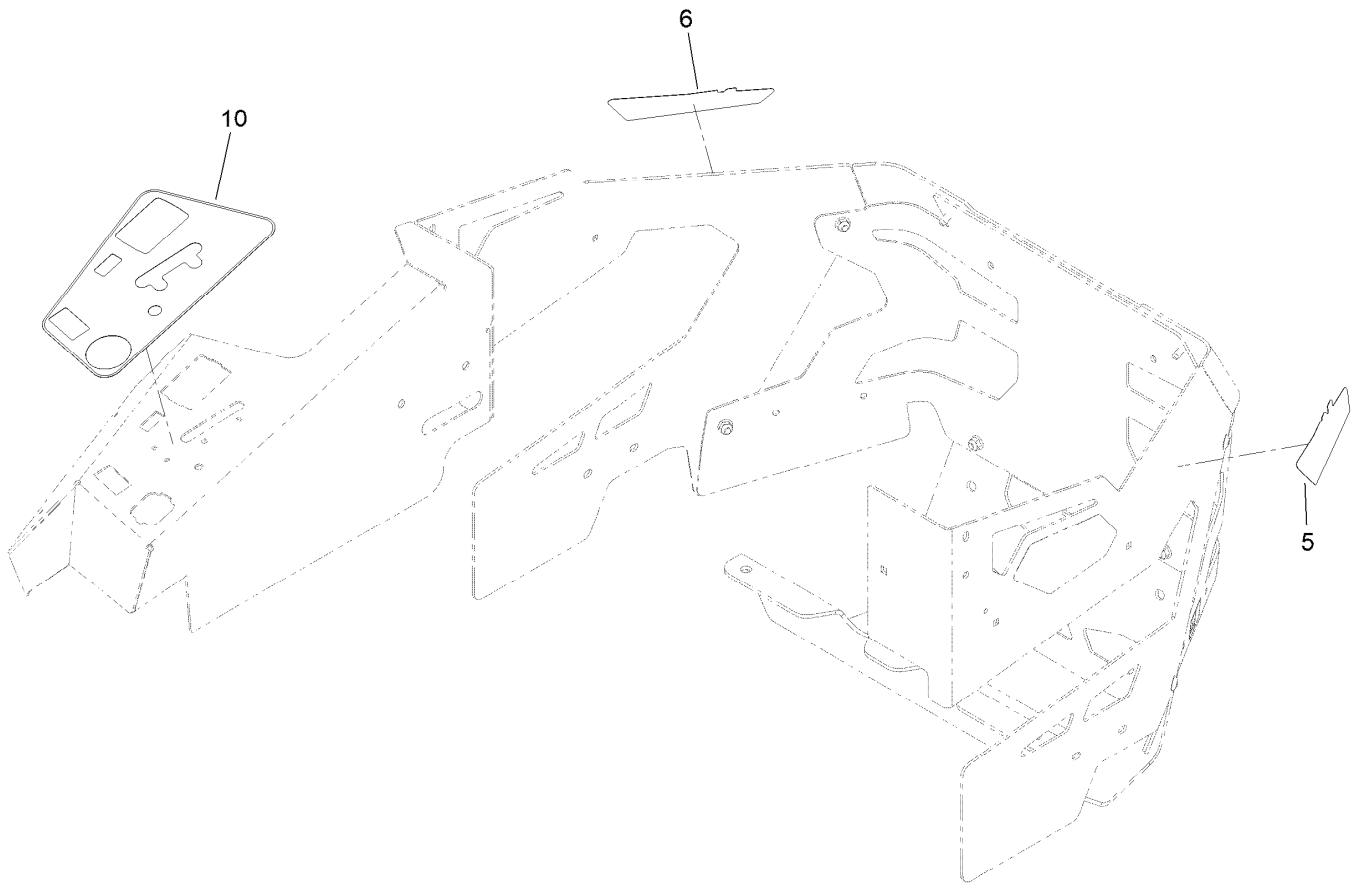
# Seat Assembly No. 144-2631



## Seat Assembly No. 144-2631 (continued)

<i>Ref.</i>	<i>Part Number</i>	<i>Qty.</i>	<i>Description</i>	<i>Ref.</i>	<i>Part Number</i>	<i>Qty.</i>	<i>Description</i>
1	147-7883	1	Seat Track Kit	5	145-3643	1	Cover-Back, Seat
2	145-3641	1	Armrest Kit	6	145-3644	1	Cover-Bottom, Seat
3	145-3642	1	Pads-Armrest	7	82-2190	1	Switch-Bail
4	130-2854	1	Seat Belt Kit				

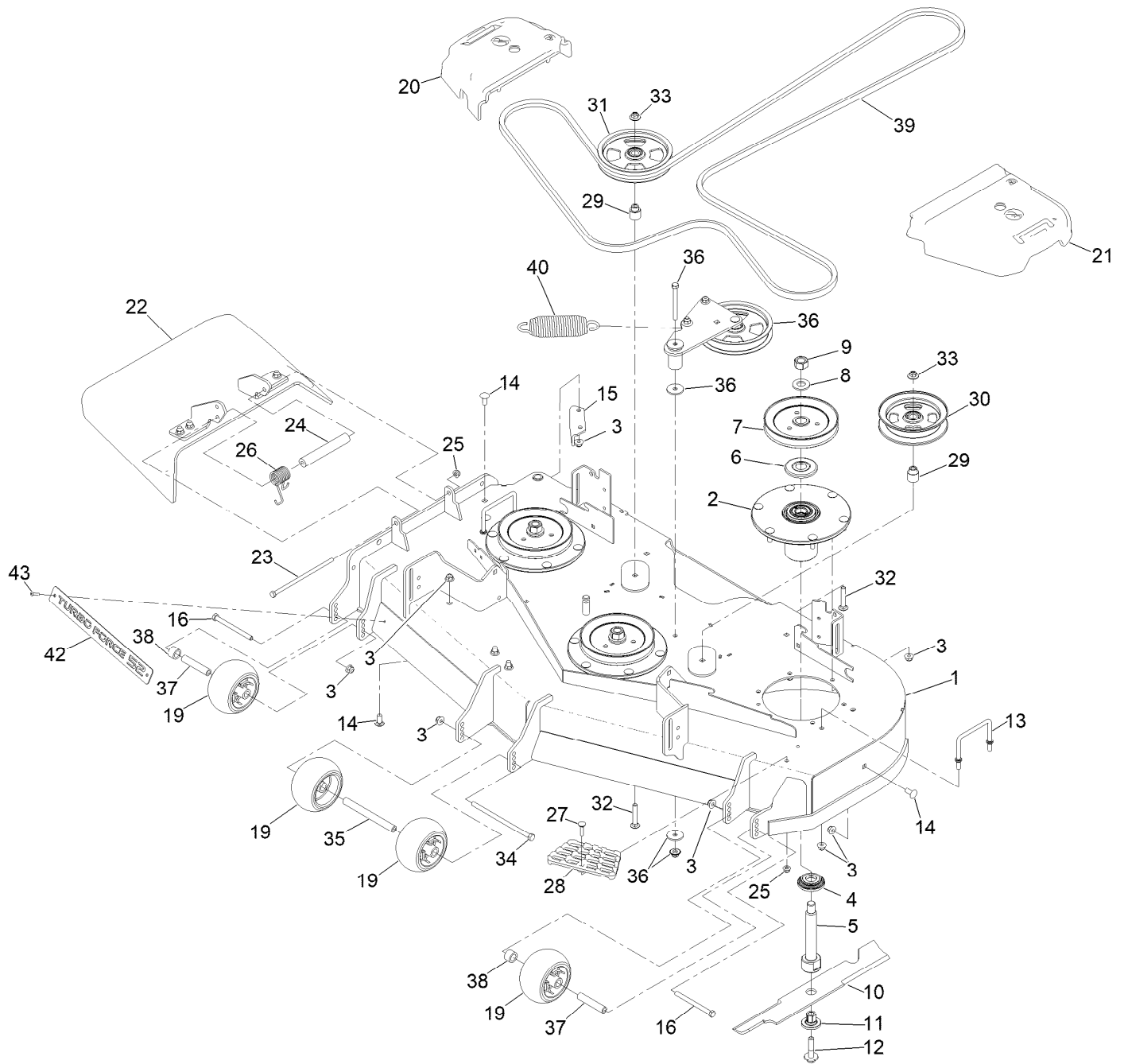
# Decal Assembly



## Decal Assembly (continued)

<i>Ref.</i>	<i>Part Number</i>	<i>Qty.</i>	<i>Description</i>
5	144-0442	1	Decal - HDX
6	144-0443	1	Decal - HDX
10	144-6569	1	Decal-Panel, Control

# Deck Assembly

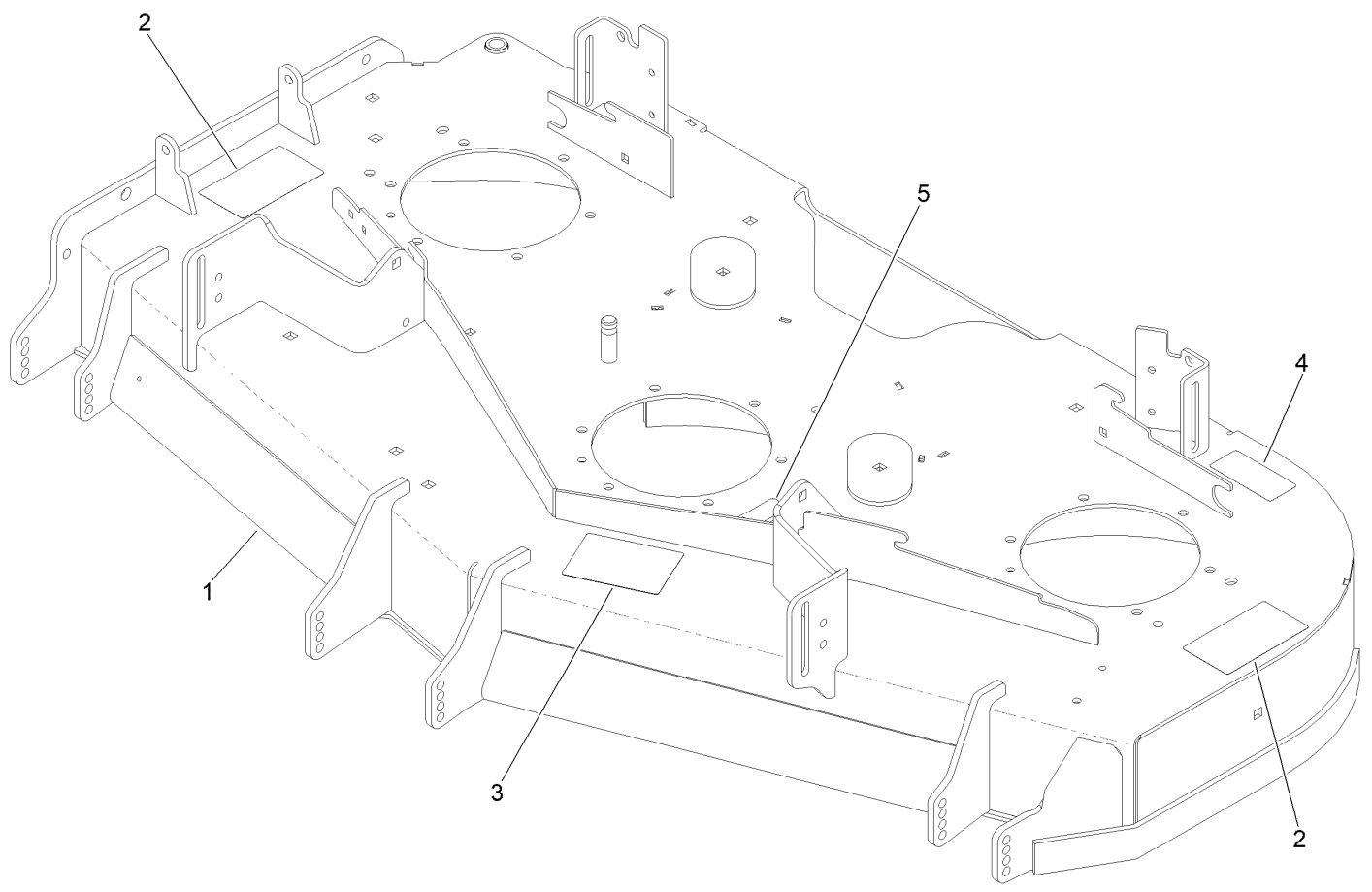




## Deck Assembly (continued)

<i>Ref.</i>	<i>Part Number</i>	<i>Qty.</i>	<i>Description</i>	<i>Ref.</i>	<i>Part Number</i>	<i>Qty.</i>	<i>Description</i>
1	147-4996	1	Deck Decal ASM	23	322-50	1	Screw-HH
2	137-9780	3	Spindle ASM	24	105-4622	1	Spacer
3	104-8301	33	Nut-HF, NI	25	104-8300	2	Nut-HF, NI
4	137-9784	3	Guard-Bottom	26	108-4052	1	Spring-Torsion
5	138-6045	3	Shaft-Spindle	27	3230-3	1	Screw-CARR
6	103-1330	3	Guard-Bearing, Top	28	126-4781-03	1	Step-Deck
7	138-6058	3	Sheave-Blade Drive 6.50	29	139-8061	2	Bushing, Idler
8	103-2802	3	Washer	30	132-9425	1	Pulley-Idler, Flat
9	116-7306	3	Nut-Hex	31	132-9424	1	Pulley-Idler, Flat
10	140-1242	3	Blade-Flow, High	32	3231-7	2	Screw-CARR
11	137-9787	3	Bushing-Hex	33	109-6658	2	Nut-Flange, NI
12	109-9220	3	Screw-Sems	34	108-5388	1	Screw-HH
13	109-6982	2	Wireform-Cover	35	98-5967	1	Spacer-Wheel
14	3231-27	8	Screw-CARR	36	139-1087	1	Idler Arm ASM
15	107-8541-01	1	Baffle-Discharge	37	133-2129	2	Tube-Shafting
16	323-23	2	Screw-HH	38	133-2128	2	Tube-Spacer
19	1-603299	4	Roller-Scalp, Anti	39	144-0356	1	Belt-V
20	109-6935	1	Cover-Belt, RH	40	116-6317	1	Spring-Extension
21	109-6936	1	Cover-Belt, LH	42	147-4975-03	1	Plate-Turbo Force [black]
22	144-2635	1	Rubber Deflector ASM	43	130-8451	2	Rivet-Trifold

# Deck Decal Assembly No. 147-4996



## Deck Decal Assembly No. 147-4996 (continued)

<i>Ref.</i>	<i>Part Number</i>	<i>Qty.</i>	<i>Description</i>	<i>Ref.</i>	<i>Part Number</i>	<i>Qty.</i>	<i>Description</i>
1		1	Deck ASM W/Decals ●	4	116-8283	1	Decal-Torque, Bolt
2	117-3848	2	Decal-Danger	5	109-6035	1	Decal-Routing, Belt
3	127-0326	1	Decal-Scalp, Anti				

● Not serviced separately

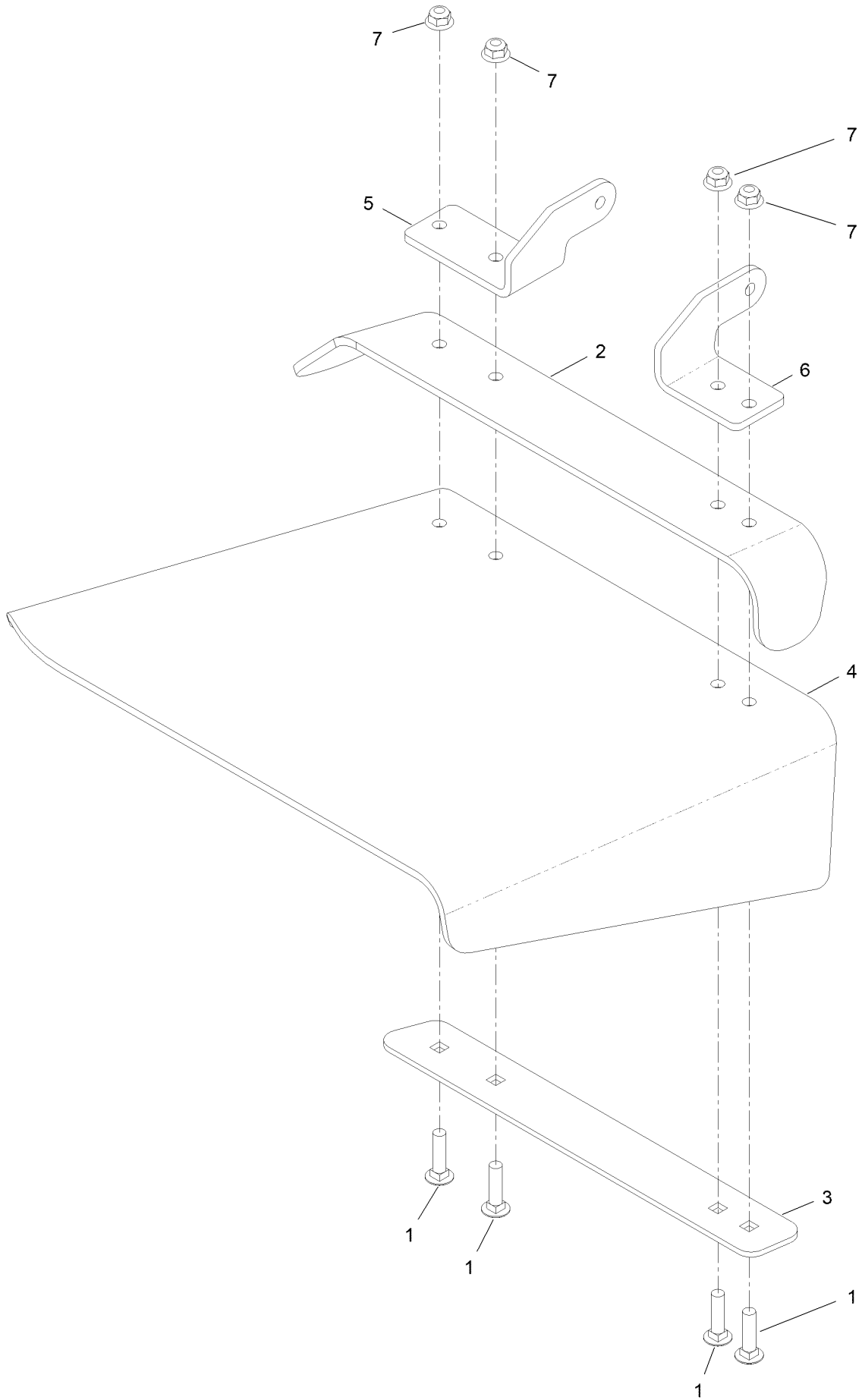
# Spindle Assembly No. 137-9780



## Spindle Assembly No. 137-9780 (continued)

<i>Ref.</i>	<i>Part Number</i>	<i>Qty.</i>	<i>Description</i>
2	116-0720	2	Bearing-Ball
3	138-6042	1	Spacer-Bearing

# Deflector Assembly No. 144-2635



## Deflector Assembly No. 144-2635 (continued)

<i>Ref.</i>	<i>Part Number</i>	<i>Qty.</i>	<i>Description</i>	<i>Ref.</i>	<i>Part Number</i>	<i>Qty.</i>	<i>Description</i>
1	3231-4	4	Screw-CARR	5	108-4059-01	1	Plate-Hinge, Rear
2	106-3246-01	1	Deflector	6	106-3253-01	1	Plate-Hinge, Front
3	106-3248-03	1	Strap-Discharge	7	104-8301	4	Nut-HF, NI
4	161-3464	1	Deflector-Deck, Rubber				

# Idler Arm Assembly No. 139-1087





## Idler Arm Assembly No. 139-1087 (continued)

<i>Ref.</i>	<i>Part Number</i>	<i>Qty.</i>	<i>Description</i>	<i>Ref.</i>	<i>Part Number</i>	<i>Qty.</i>	<i>Description</i>
1	139-1086	1	Idler Arm ASM	7	109-6658	3	Nut-Flange, NI
2	138-2573	2	Bushing-Flange	8	323-15	1	Screw-HH
3	139-8060	1	Bushing, Idler	9	3231-5	1	Screw-CARR
4	132-9424	1	Pulley-Idler, Flat	10	132-4729	1	Anchor-Spring, Short
5	139-6690	1	Bushing, Idler Pivot	11	136-9028	1	Bolt-Shoulder, HWH
6	1-213069	3	Washer	12	104-8301	1	Nut-HF, NI

# Attachments and Accessories

## For 74052 52in Z Master 4000 Series Riding Mower

<b>Product Name</b>	<b>Model/Part</b>
Hypr-Oil 500 (quart) .....	114-4713
Hypr-Oil 500 (gallon).....	114-4714
Hypr-Oil 500-5 (5 gallon).....	114-4715
Spark Arrestor .....	117-3281
Striper Kit.....	126-7882
Jack Kit.....	127-6666
Shock/Spring Asm .....	136-8993
Recycler Kit .....	139-6653
Blade-18.00 High Flow .....	140-1242
Blade-18.00 Medium Flow .....	140-4856
Blade-18.00 Low Flow .....	140-4857
Blade-18.00 Atomic .....	140-4858
Blade-18.00 Recycler .....	140-4859
6 Pack-Blade, 18.00 High Flow.....	140-4882
6 Pack-Blade, 18.00 Med Flow .....	140-4883
6 Pack-Blade, 18.00 Low Flow .....	140-4884
6 Pack-Blade, 18.00 Atomic.....	140-4885
6 Pack-Blade, 18.00 Recycler.....	140-4886
Trimmer Mount .....	144-2665
Jack Mount Kit.....	144-2676
Hardtop Sun Canopy .....	144-3719
52" Chute Gate Kit [4000] .....	144-6571
Asm-Semi Pneumatic 15x6.50-6 .....	145-1919
Handle Extension Kit .....	145-3615
Tweel-Turf.....	147-4600
Blade-18.00 High Flow .....	147-6251
6 Pack-blade, 18.00 High Flow .....	147-6255
15inx6n6 Caster Tweel Asm .....	147-6337
Bucket Mount Kit, Z Master 2000 or 4000 Series Riding Mower .....	147-6345
Universal Mount Kit, Z Master 2000 or 4000 Series Riding Mower .....	147-6346
Kit-Baffle, Turbo Force 52in .....	147-7361
2in Reciever Hitch Kit.....	161-2810
Bagger Kit, Z Master 2000 / 4000 .....	78439
Z 4000 52in Completion Kit.....	78465

**Notes:**



**Count on it.**