



Spindle Shaft Replacement Kit

36 inch, 44 inch, and 52 inch Mid-Size Mowers

Part No. 106-0796

Part No. 106-0797

Part No. 106-0798

Part No. 106-0799

Installation Instructions

Note: Determine the left and right sides of the machine from the normal operating position.

Loose Parts

Note: Use the chart below to verify all parts have been shipped.

Description	Qty.	Use
Spindle shaft	1	Installing the spindle shaft and bearings
Bearing	2	
Bearing spacer	1	
Bearing shield	1	

Removing the Existing Spindle Shaft

Note: Clean the mower thoroughly. Make sure both the top and bottom the the mower is cleaned.

1. Remove the PTO belt and the mower belt from the mower. Refer to the mower Operator's Manual for removing the PTO and mower belt.
2. Remove the mower blade.
3. Remove the nut and washer on top of the pulley (Fig. 1).
4. Remove the pulley assembly (Fig. 1).
5. Remove the existing spindle shaft.
6. Remove the upper and lower bearing from the spindle housing.

Note: The bearings may need to be tapped out with a punch. Do not damage the spindle housing.

7. Remove the bearing spacer.
8. Check the inside of the spindle housing for any dirt, grease or debris and remove it.

Installing the New Spindle and Bearings

Use the following tips when installing the bearings.

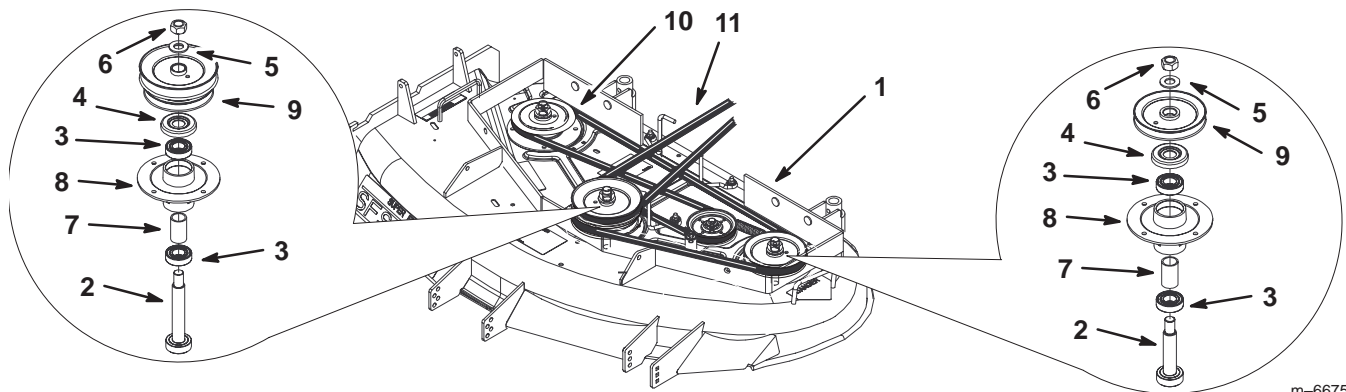
- Place the bearing square against the housing and manually hand press the bearings into the housing.
- Make sure the spindle housing is clean from grease or any other debris.
- If the bearings are mechanically pressed into the spindle housing, support both the inner and outer parts of the bearing with a flat surface.
- Do not use a hammer to assemble the bearings. This can damage the bearings.
- Do not use the spindle shaft, pulley and nut to install the bearings. This will apply pressure only on the inner part of the bearing.

Use the following instructions for both the center and outer spindle assemblies.

1. Install the new lower bearing into the spindle housing (Fig. 1). The bearing should be seated against the shoulder in the housing.
2. Insert the new spacer into the spindle housing and centered on the lower bearing.
3. Install the upper bearing into the housing until the bearing is seated against the spacer.
4. Install the spindle shaft into the bearings and spacer.
5. Install the bearing shield onto the shaft (Fig. 1).
6. Install the pulley, washer, and nut (Fig. 1).

Important The spindle nut must be torqued to 85 to 110 ft-lb (115 to 140 N•m).

7. Install the mower blades. Refer to the mower Operator's Manual.
8. Install the mower belt and PTO drive belt.



m-6675

Figure 1

- | | | | |
|------------------------|-------------------|--------------------|--------------------|
| 1. 44 inch mower shown | 4. Bearing shield | 7. Spacer | 10. Mower belt |
| 2. Spindle | 5. Washer | 8. Spindle housing | 11. PTO drive belt |
| 3. Bearing | 6. Spindle nut | 9. Pulley | |