



Count on it.

Parts Catalog

**Power TRX Commercial 1432
OHXE Snowthrower**

Model No. 38875—Serial No. 400000000 and Up



Ordering Replacement Parts

To order replacement parts, please supply the part number, the quantity, and the description of each part desired.

Understanding Reference Numbers

Each identified part in an illustration has a reference number. The reference number for a part also appears in the parts list, along with other information about the part.

This catalog uses two special reference number formats, one to indicate parts in a service assembly and another to indicate the quantity of a given part in an illustration.

Service Assembly Reference Numbers

Parts in service assemblies have reference numbers in the form a:b. The a represents the reference number of the entire service assembly and the b represents a sequential number unique to each part within the service assembly.

For example, a wheel assembly might be identified by reference number 6, the tire by 6:1, the valve by 6:2, and the wheel by 6:3. When you order the assembly identified by reference number 6, you receive all parts identified by reference numbers 6:1, 6:2, and 6:3. However, you may also order any part individually. Reference numbers of this type appear in illustration and in parts lists.

Reference Numbers Indicating Quantity

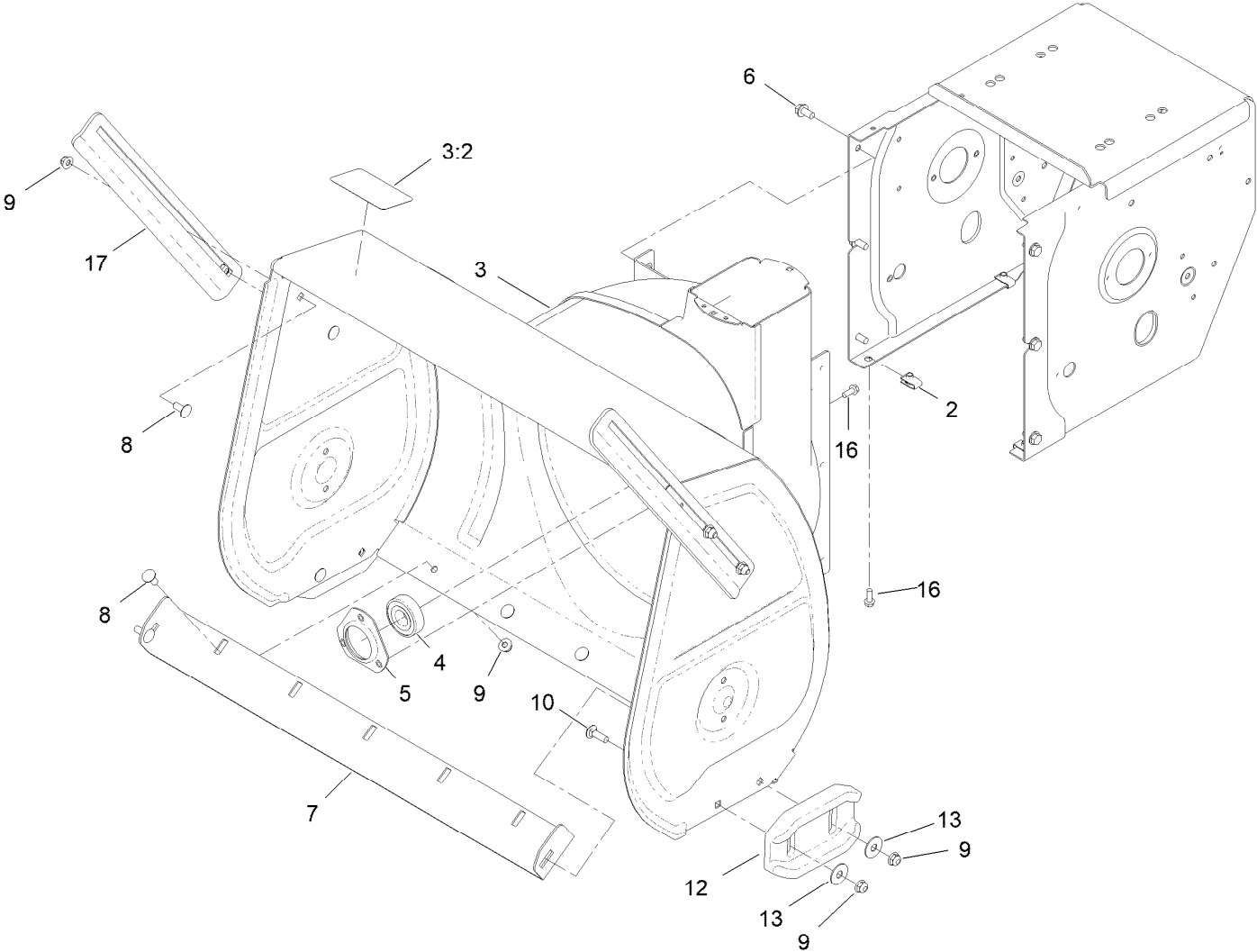
In an illustration, if a reference number indicates more than one part, the reference number has the form nX y. The n represents the quantity of the part, the X is the multiplication symbol, and the y represents the reference number.

For example, in an illustration, the reference number 2X 37 means that two of the parts identified by reference number 37 are indicated.

Contents

Main Frame Assembly	4
Traction Frame Assembly	6
Auger Drive Assembly	8
Belt Drive Assembly	10
Gear Case Assembly	12
Engine Assembly	14
Fuel Systems and Carburetor Assembly	16
Intake and Exhaust Assembly	18
Ignition and Electrical Assembly	20
Crankcase Assembly	22
Governor Assembly	24
Piston and Head Assembly	26
Blower Housing and Shrouds Assembly	28
Engine Decal Assembly	30
Chute Assembly	32
Chute Control Assembly	34
Traction Control Assembly	36
Handle Assembly	38
Hydrostatic Drive Assembly	40
Track Drive Assembly	42
Attachments and Accessories	44

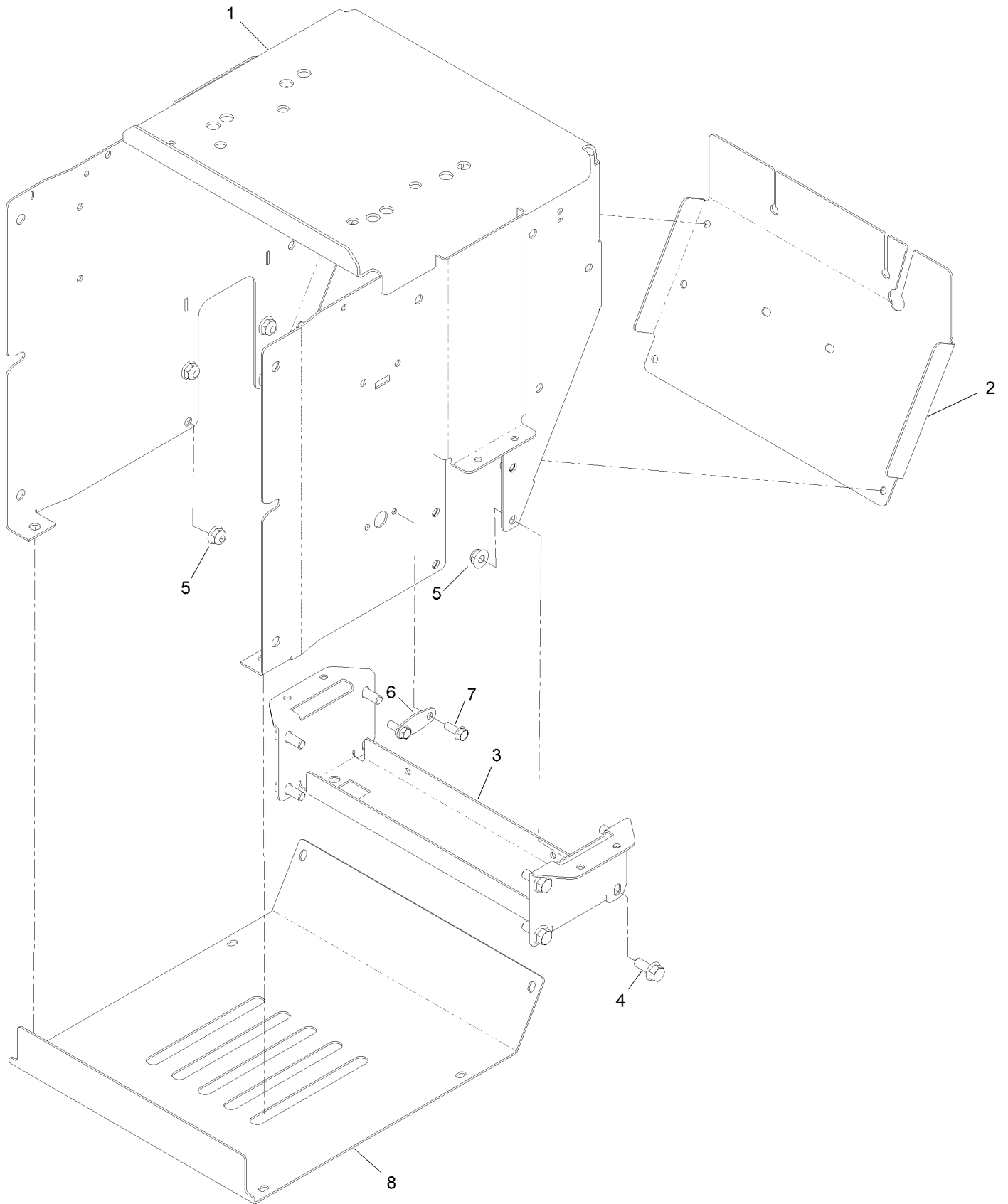
Main Frame Assembly



Main Frame Assembly (continued)

<i>Ref.</i>	<i>Part Number</i>	<i>Qty.</i>	<i>Description</i>	<i>Ref.</i>	<i>Part Number</i>	<i>Qty.</i>	<i>Description</i>
2	107069	8	Clip	8	137-3061	11	Bolt-CARR
3	139-1563	1	Auger Housing ASM	9	119-4041	11	Nut-HF
3:2	121-6817	1	Decal-Danger, Auger	10	110-3144	4	Bolt-CARR
4	136-6571	1	Bearing-Ball	12	120-3098-03	2	Skid-Cast
5	136-6573	1	Retainer-Bearing	13	119-4150	4	Washer-Flat
6	32144-14	6	Screw-HWHTF	16	32144-85	11	Screw-HWH Thd Form
7	136-6602-01	1	Blade-Scraper	17	121-1228-03	2	Breaker-Drift, Side

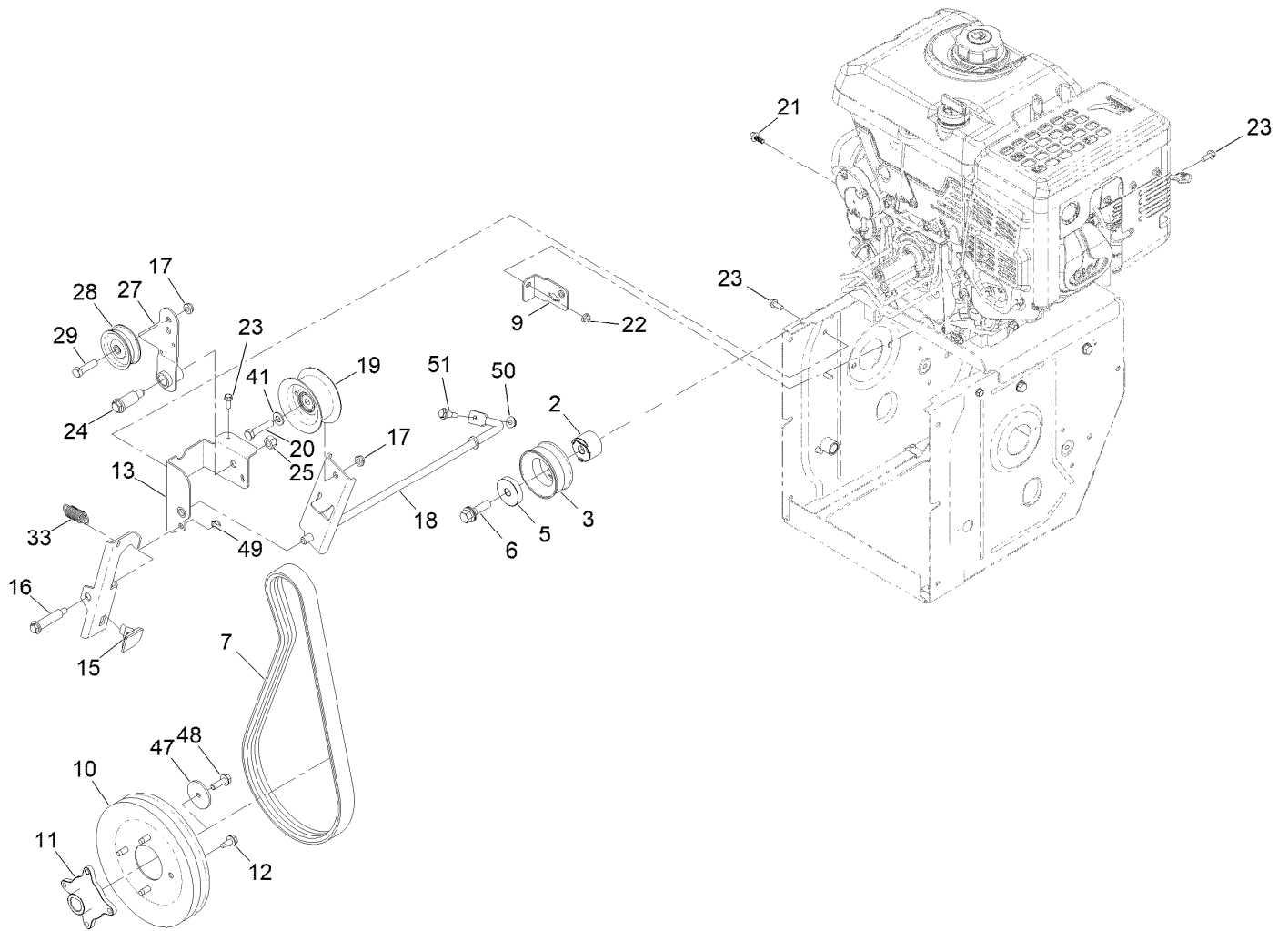
Traction Frame Assembly



Traction Frame Assembly (continued)

<i>Ref.</i>	<i>Part Number</i>	<i>Qty.</i>	<i>Description</i>	<i>Ref.</i>	<i>Part Number</i>	<i>Qty.</i>	<i>Description</i>
1	140-7904-01	1	Frame-Traction	5	119-4041	8	Nut-HF
2	140-7916-01	1	Cover-Rear	6	140-7934-03	1	Cover-Lock, Neutral
3	140-7915-01	1	Brace-Frame, Lower	7	32144-85	2	Screw-HWH Thd Form
4	139-2598	8	Screw-HHF	8	145-1654-01	1	Cover-Bottom

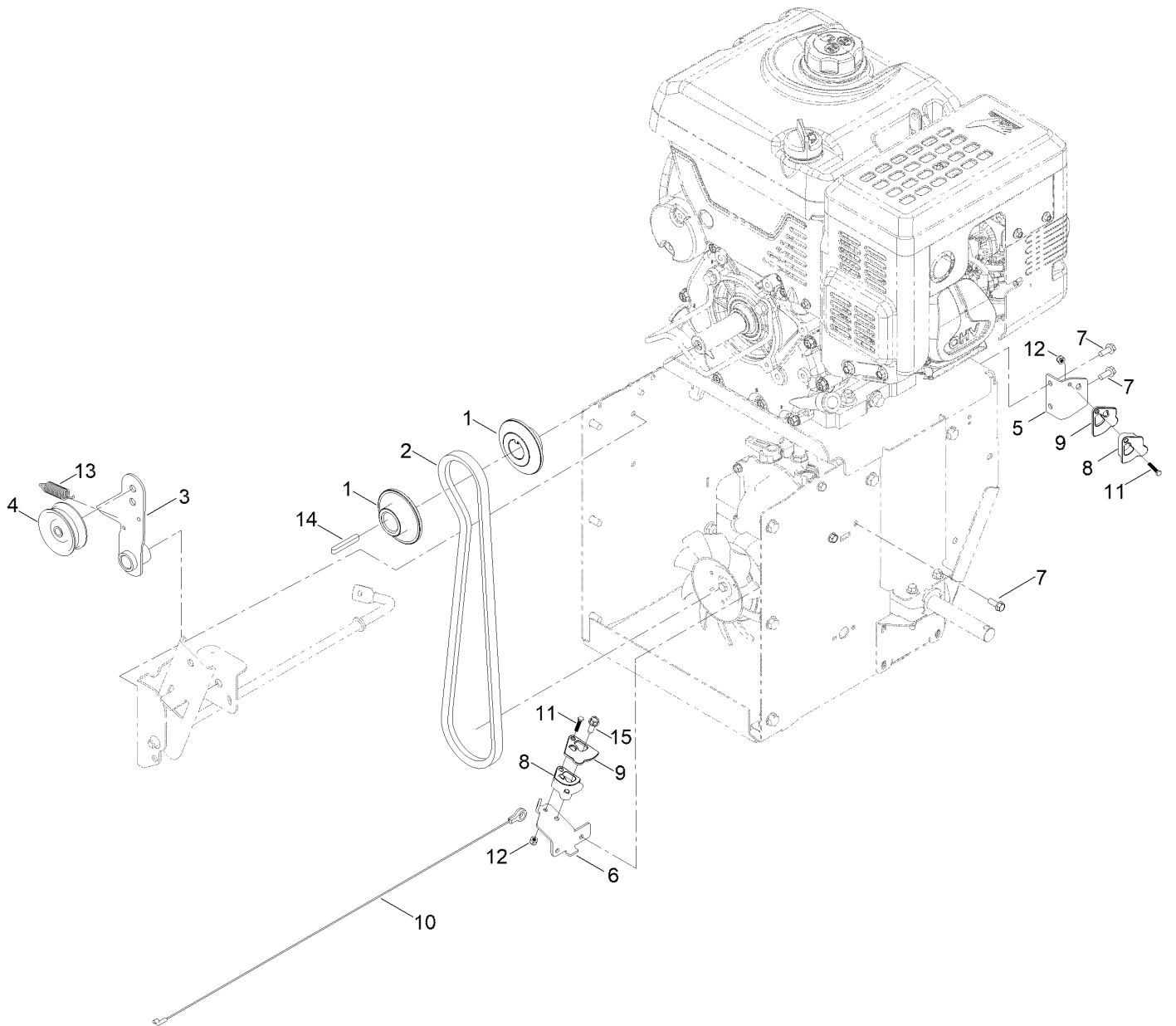
Auger Drive Assembly



Auger Drive Assembly (continued)

<i>Ref.</i>	<i>Part Number</i>	<i>Qty.</i>	<i>Description</i>	<i>Ref.</i>	<i>Part Number</i>	<i>Qty.</i>	<i>Description</i>
2	136-6691	1	Pulley-Spacer	20	138-0722	1	Screw-HH
3	136-6690	1	Pulley-Impeller, Double Sheave	21	137-3111	1	Screw-HHF
5	138-3662	1	Support-Pulley	22	137-3005	1	Nut-HF
6	125-2466	1	Bolt-Blade	23	32144-85	9	Screw-HWH Thd Form
7	136-6504	1	Belt-V	24	136-7116	1	Bolt-Shoulder
9	136-8654-03	1	Bracket-Clutch, Impeller	25	137-3095	1	Nut-Hex
10	136-6557	1	Pulley-Impeller, Double Sheave	27	136-7186	1	Arm-Idler, Traction
11	136-6558	1	Hub-Pulley	28	3-4244	1	Pulley-Idler
12	32144-70	4	Screw-HWHTF	29	137-3065	1	Screw-HH
13	136-8671-03	1	Bracket-Brake, Clutch	33	107-1045	1	Spring-Extension
15	66-8060	1	Pad-Brake	41	115-1166	2	Washer-Plain
16	136-7199	1	Bolt-Shoulder	47	137-3121	1	Washer-Plain
17	121-4600	2	Nut-Hex	48	115-5142	1	Screw-HHF
18	137-6234-03	1	Arm-Clutch, Impeller	49	137-3089	1	Nut-Hex
19	136-6531	1	Pulley, Idler	50	137-3016	1	Nut-HF
				51	104-0858	1	Bolt-Shoulder

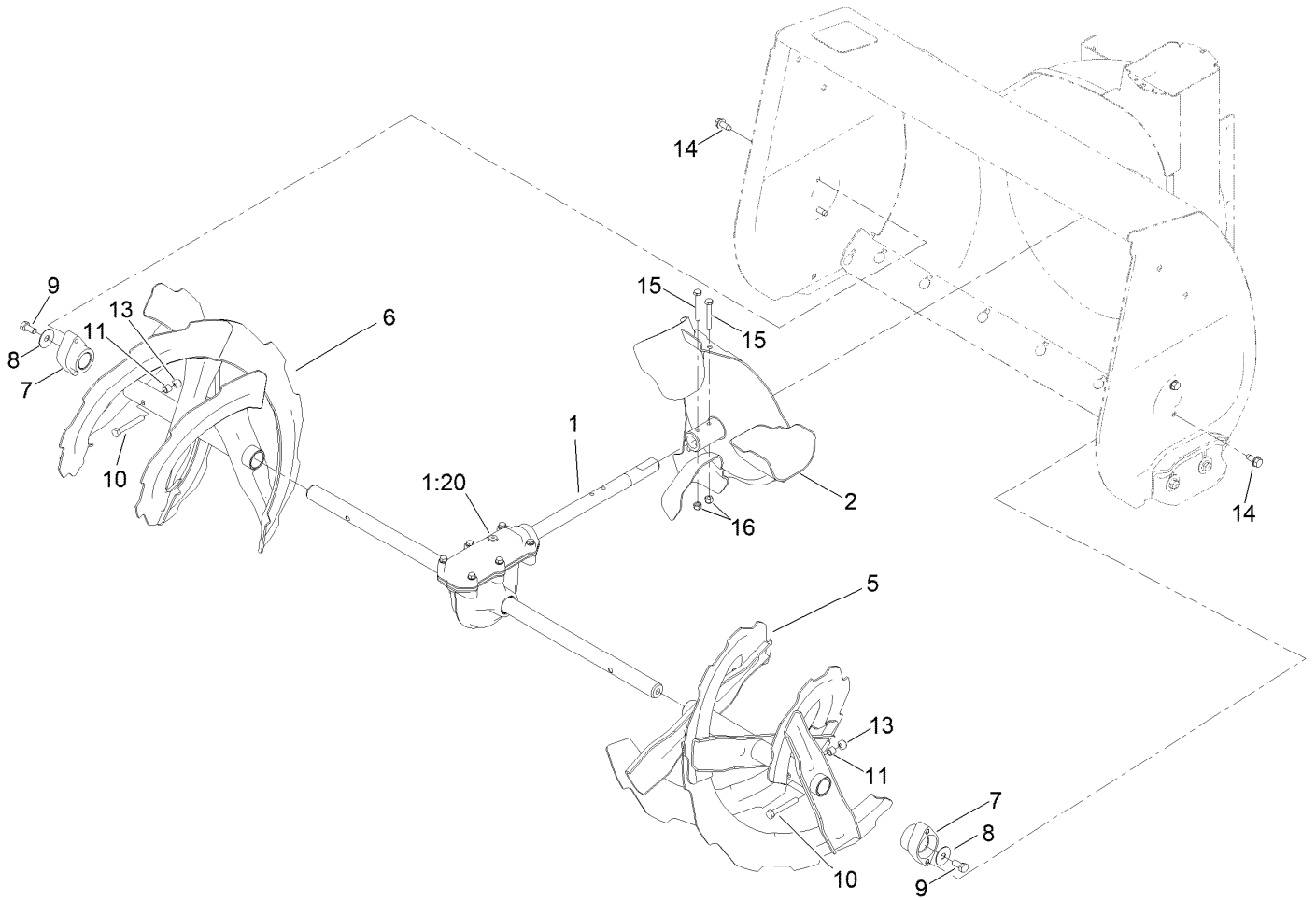
Belt Drive Assembly



Belt Drive Assembly (continued)

<i>Ref.</i>	<i>Part Number</i>	<i>Qty.</i>	<i>Description</i>	<i>Ref.</i>	<i>Part Number</i>	<i>Qty.</i>	<i>Description</i>
1	140-7944	2	Sheave-Traction	9	139-3564	2	Cap-Guide, Cable
2	140-7940	1	Belt-Traction (A, 41.00)	10	140-7924	1	Cable-Traction
3	136-7186	1	Arm-Idler, Traction	11	360-0272	2	Screw
4	3-4244	1	Pulley-Idler	12	520-0006	2	Nut-Hex, Nylock
5	140-7895-03	1	Bracket-Cable	13	80-4600	1	Spring-Extension
6	140-7894-03	1	Anchor-Cable	14	140-7941	1	Key-Square
7	32144-85	4	Screw-HWH Thd Form	15	49-2040	1	Screw-HWHTF
8	139-3565	2	Guide-Cable				

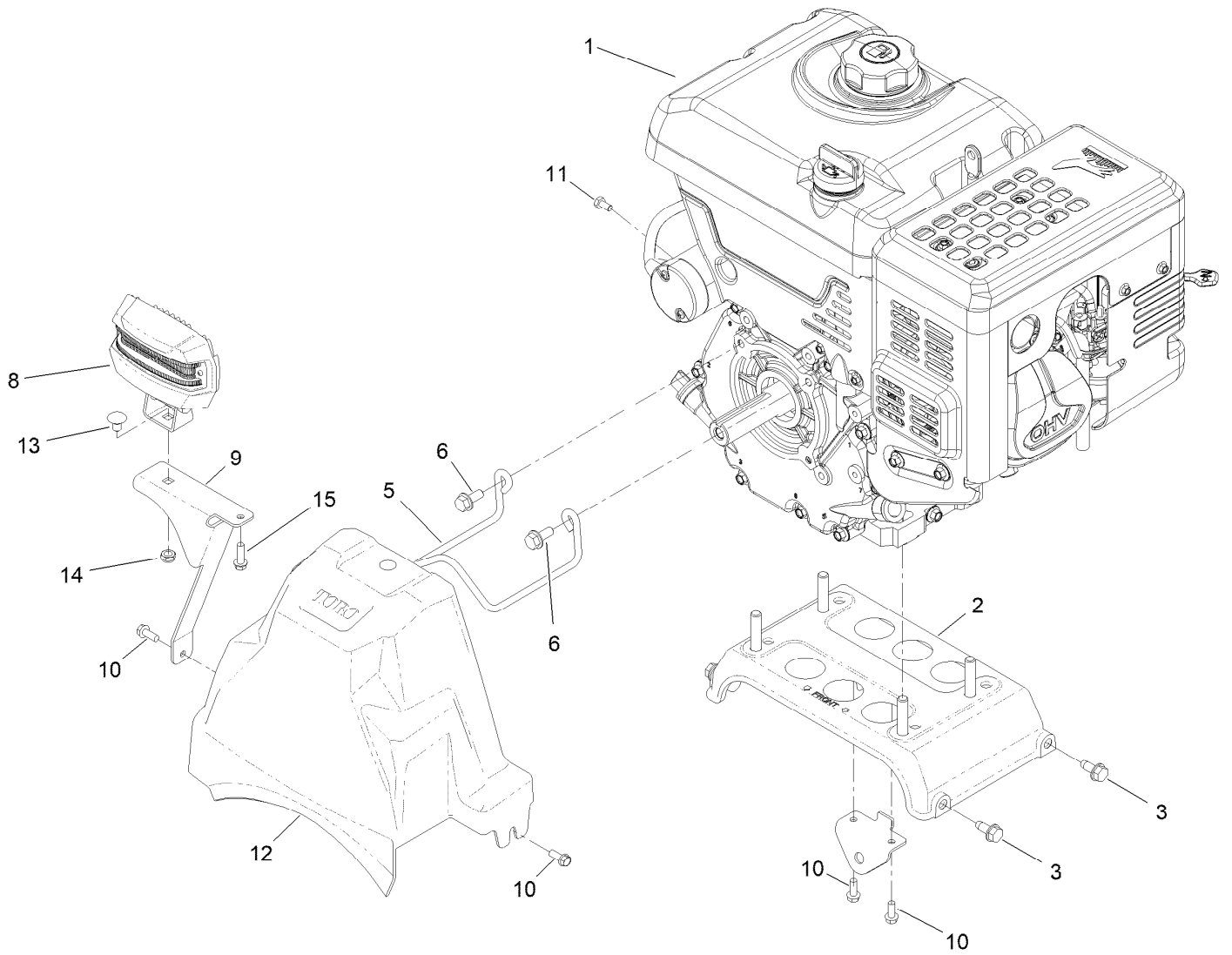
Gear Case Assembly



Gear Case Assembly (continued)

<i>Ref.</i>	<i>Part Number</i>	<i>Qty.</i>	<i>Description</i>	<i>Ref.</i>	<i>Part Number</i>	<i>Qty.</i>	<i>Description</i>
1	136-6620	1	Auger Gearcase ASM	9	137-3066	2	Screw-HH
1:20	138-3629	1	Plug-Oil	10	120-9738	2	Screw-HH
2	136-6570-03	1	Impeller	11	136-7148	2	Spacer-Grommet
5	136-6597-03	1	Auger-LH, 32 Inch	13	119-4038	2	Nut-Hex
6	136-6598-03	1	Auger-RH, 32 Inch	14	32144-70	4	Screw-HWHTF
7	106-4570	2	Bearing-Auger	15	137-3032	2	Screw-HH
8	3-0750	2	Washer	16	137-3088	2	Nut-Hex

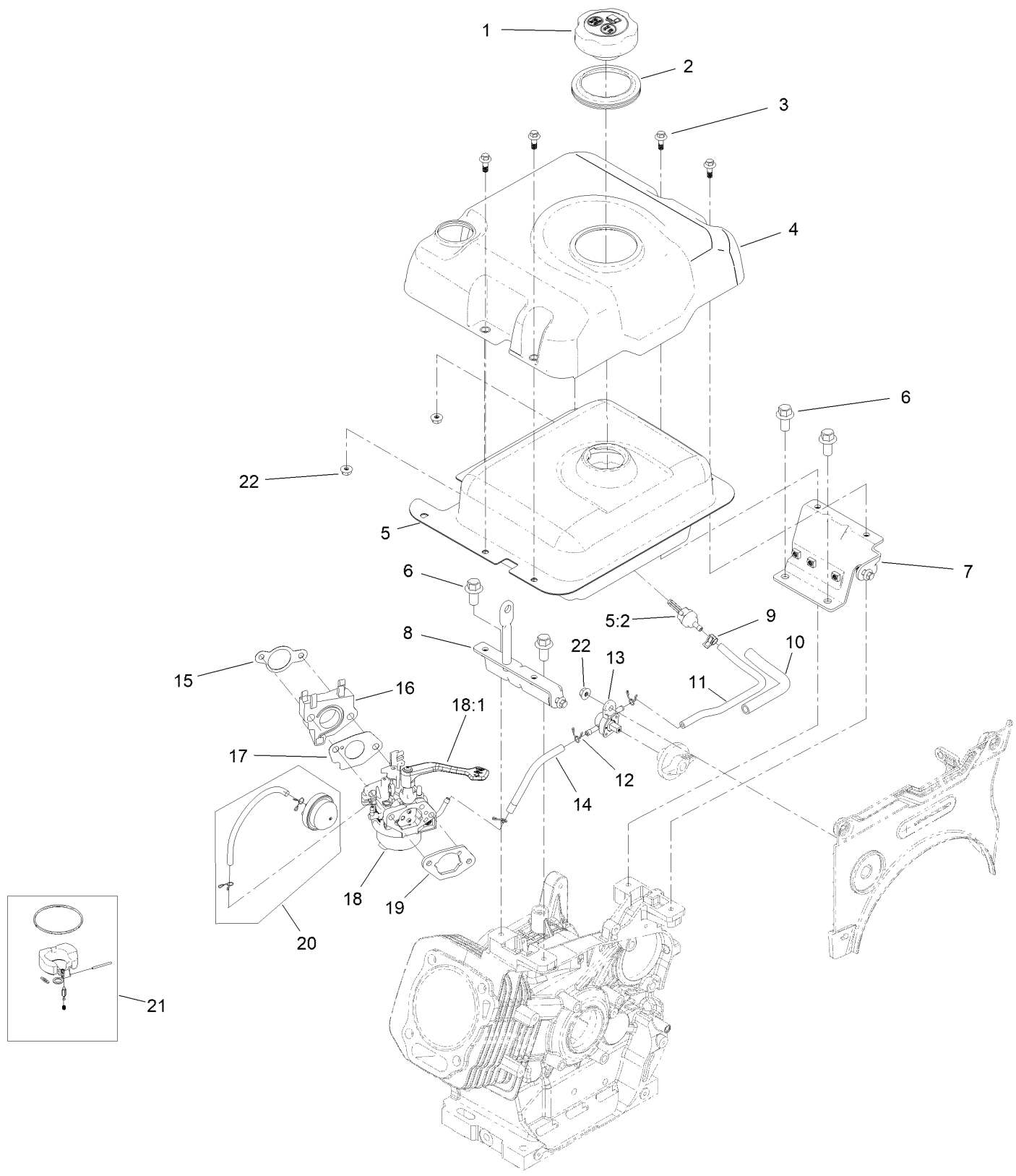
Engine Assembly



Engine Assembly (continued)

<i>Ref.</i>	<i>Part Number</i>	<i>Qty.</i>	<i>Description</i>	<i>Ref.</i>	<i>Part Number</i>	<i>Qty.</i>	<i>Description</i>
1	139-0732	1	Engine-Lc190Fds-1	10	32144-85	2	Screw-HWH Thd Form
2	137-6165	1	Engine Plate ASM	11	121-4604	1	Screw-HH
3	32144-70	4	Screw-HWHTF	12	136-6606	1	Cover-Belt
5	136-6607	1	Belt Guide	13	3230-19	1	Bolt-CARR
6	138-0690	2	Screw-HH	14	137-3089	1	Nut-Hex
8	138-0670	1	LED Light ASM	15	137-3099	1	Screw-Plastite, HWH
9	138-0683-03	1	Bracket-Light				

Fuel Systems and Carburetor Assembly

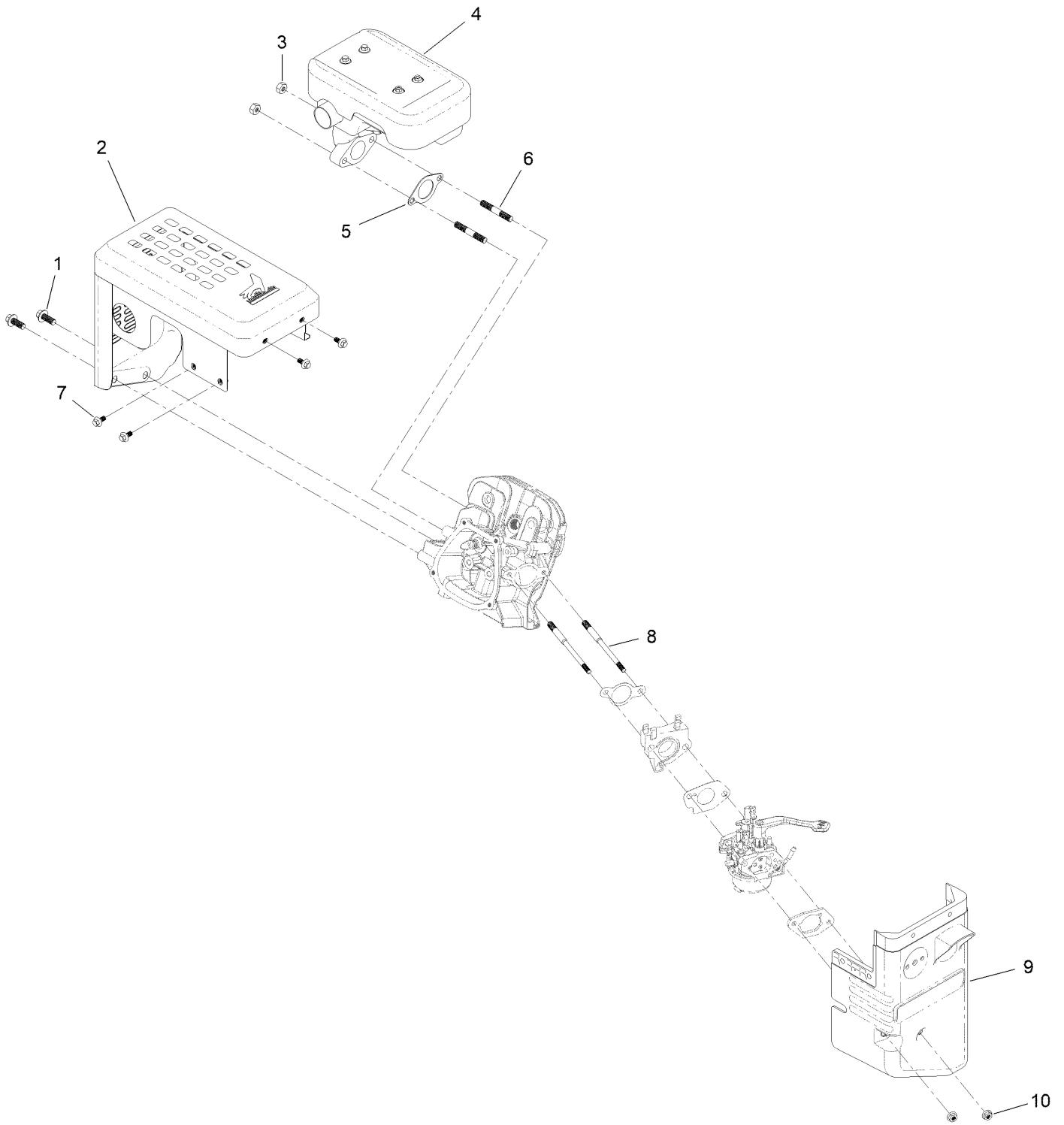


Fuel Systems and Carburetor Assembly (continued)

<i>Ref.</i>	<i>Part Number</i>	<i>Qty.</i>	<i>Description</i>	<i>Ref.</i>	<i>Part Number</i>	<i>Qty.</i>	<i>Description</i>
1	133-9823	1	Cap-Fuel	13	121-0258	1	Valve-Fuel
2	121-0324	1	Insert-Cover, Tank	14	139-0583	1	Hose-Fuel
3	121-0296	4	Screw-HHF	15	139-0579	1	Gasket-Carburetor
4	139-0574	1	Cover-Tank, Fuel	16	139-0580	1	Insulator-Carburetor
5	139-0567	1	Fuel Tank And Filter ASM	17	139-0581	1	Gasket-Carburetor
5:2	127-9065	1	Filter-Fuel	18	144-0964	1	Carburetor ASM
6	139-0569	4	Screw-HHF	18:1	139-0638	1	Lever-Choke
7	139-0571	1	Bracket-Tank, Right	19	121-0254	1	Gasket-Coated, Rubber
8	139-0570	1	Bracket-Tank, Left	20	127-9372	1	Primer Kit
9	127-9120	1	Clamp-Hose	21	139-0625	1	Internal Carb Service Kit
10	139-0566	1	Sleeve-Abrasion	22	121-0010	3	Nut-Flange
11	127-9064	1	Hose-Fuel	99	144-0970	1	High Altitude Kit ●
12	121-0087	3	Clamp-Hose				

● Not illustrated

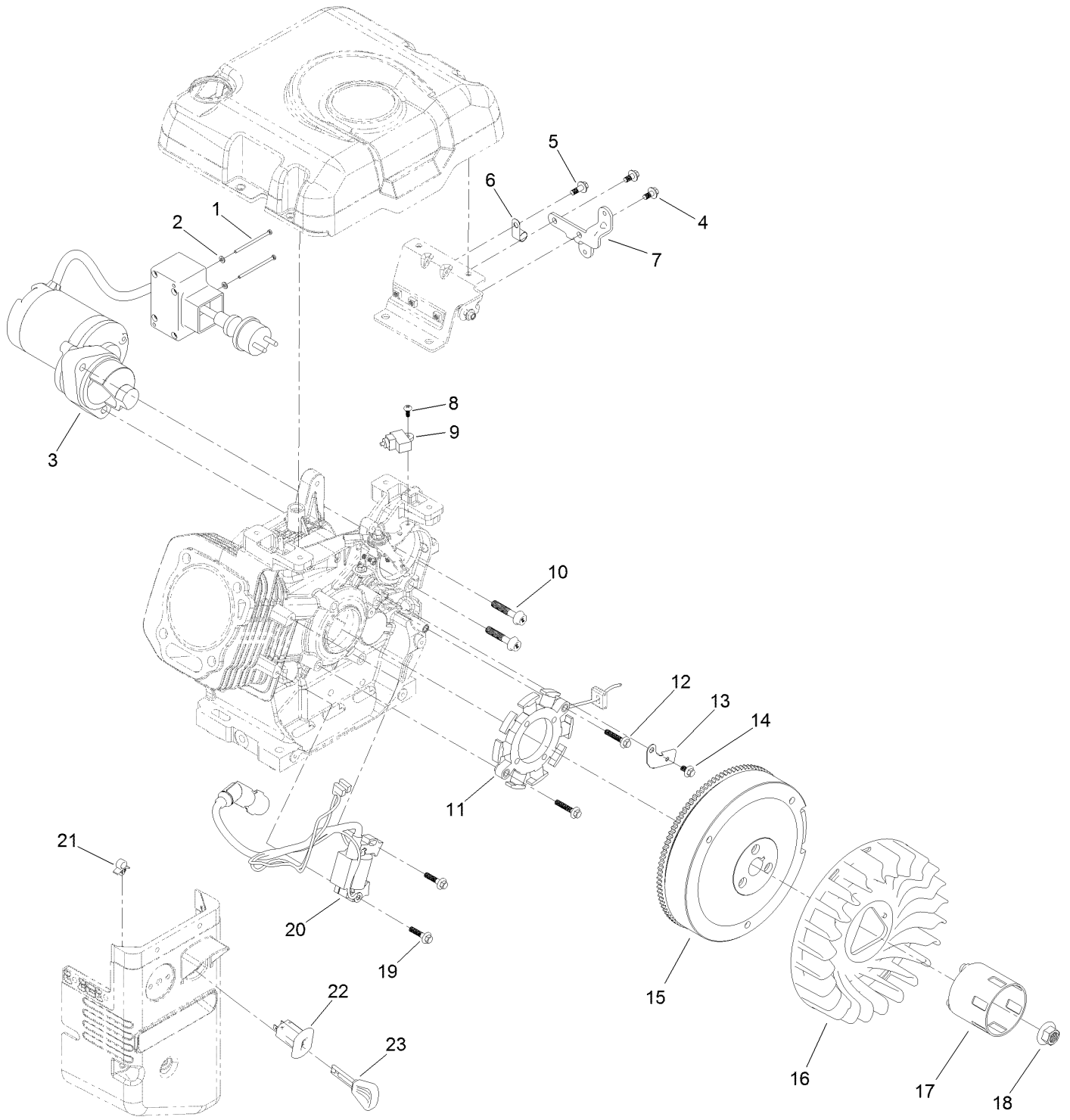
Intake and Exhaust Assembly



Intake and Exhaust Assembly (continued)

<i>Ref.</i>	<i>Part Number</i>	<i>Qty.</i>	<i>Description</i>	<i>Ref.</i>	<i>Part Number</i>	<i>Qty.</i>	<i>Description</i>
1	121-0297	2	Screw-HHF	6	121-0304	2	Stud-Mount, Muffler
2	139-0577	1	Shield-Muffler	7	121-0294	4	Screw-HHF
3	121-0199	2	Nut-HH	8	121-0303	2	Stud-Mount, Carburetor
4	139-0578	1	Muffler ASM	9	144-0962	1	Box-Heater
5	121-0272	1	Gasket-Exhaust	10	121-0308	2	Nut-Flange

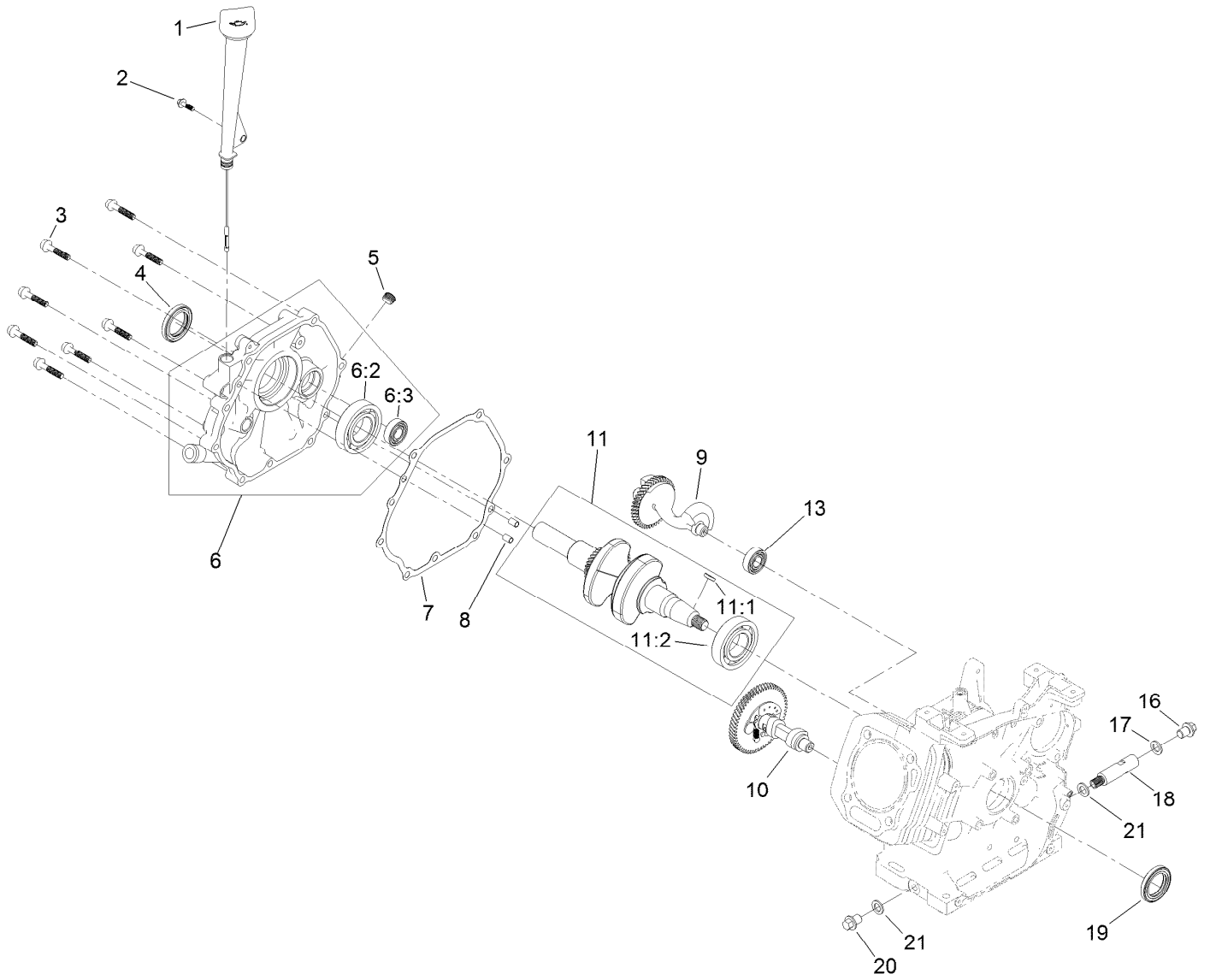
Ignition and Electrical Assembly



Ignition and Electrical Assembly (continued)

<i>Ref.</i>	<i>Part Number</i>	<i>Qty.</i>	<i>Description</i>	<i>Ref.</i>	<i>Part Number</i>	<i>Qty.</i>	<i>Description</i>
1	121-0306	2	Screw-Bhp	13	139-0555	1	Clamp-Wire, Charge
2	121-0312	2	Washer-Plain	14	121-0118	1	Screw-HHF
3	139-0589	1	Motor-Starter	15	139-0558	1	Flywheel ASM
4	121-0294	2	Screw-HHF	16	139-0559	1	Fan-Cooling
5	121-0296	1	Screw-HHF	17	139-0560	1	Cup-Starter
6	121-0017	1	Clip-Harness, Wire	18	121-0309	1	Nut-Flange
7	139-0572	1	Bracket-Box, Switch	19	121-0097	2	Screw-HHF
8	120-4461	1	Screw-PPH	20	139-0557	1	Ignition Coil ASM
9	139-0563	1	Switch-Stop, Engine	21	121-0326	1	Clip
10	121-0298	2	Screw-HHF	22	121-0283	1	Switch-Key
11	121-4108	1	Stator Coil ASM	23	117-7728	1	Key
12	120-4223	2	Screw-HHF				

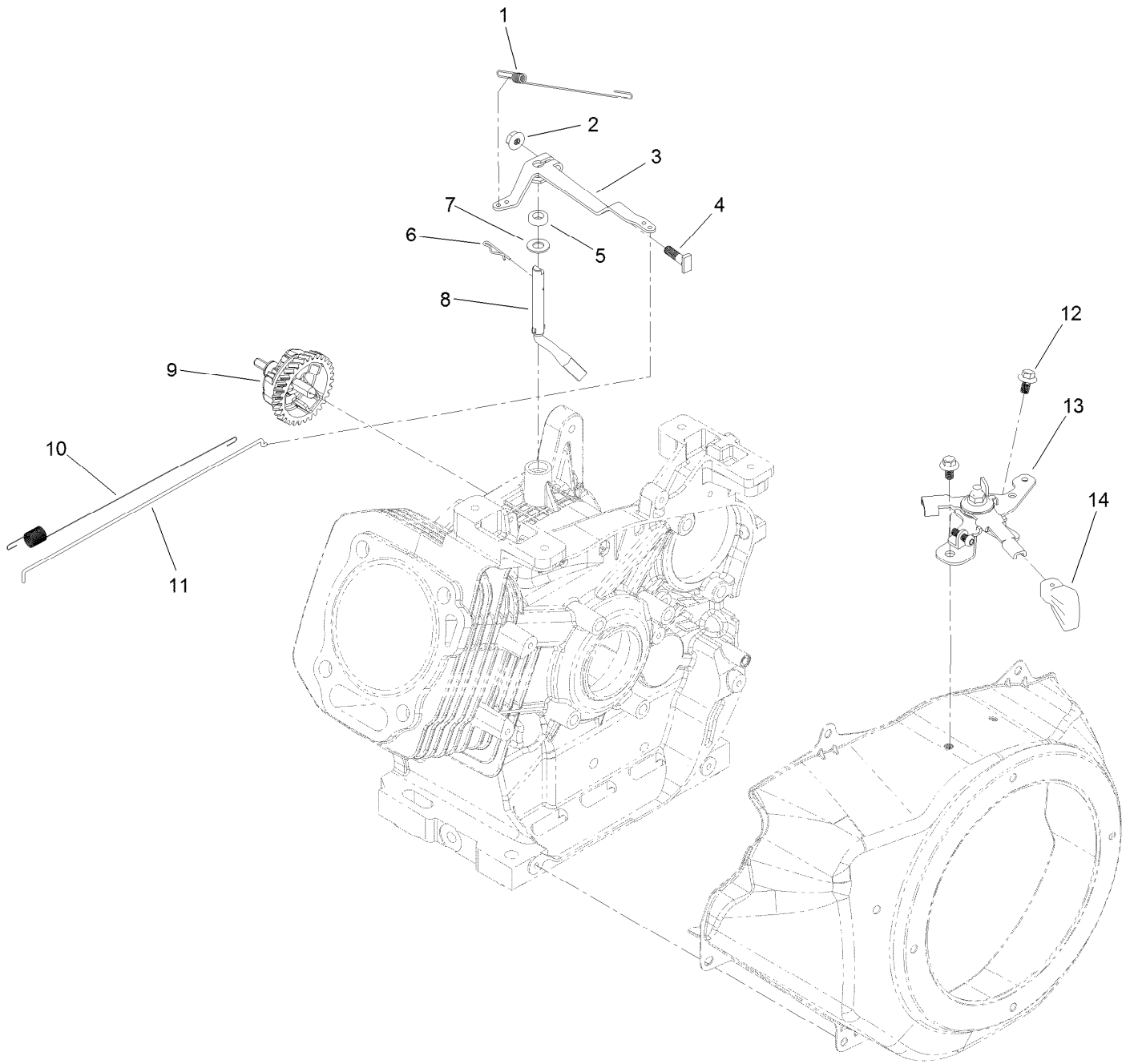
Crankcase Assembly



Crankcase Assembly (continued)

<i>Ref.</i>	<i>Part Number</i>	<i>Qty.</i>	<i>Description</i>	<i>Ref.</i>	<i>Part Number</i>	<i>Qty.</i>	<i>Description</i>
1	136-7941	1	Oil Fill ASM	10	136-7939	1	Camshaft ASM
2	127-9123	1	Screw-HHF	11	139-0586	1	Crankshaft ASM
3	121-0298	8	Screw-HHF	11:1	120-4320	1	Key-Woodruff
4	136-7942	1	Seal-Oil	11:2	120-4261	1	Bearing-Ball
5	133-9805	1	Plug-Drain	13	136-7949	1	Bearing-Ball
6	139-0611	1	Crankcase Cover ASM	16	121-0030	1	Screw-HHF
6:2	120-4261	1	Bearing-Ball	17	121-0048	1	Washer-Plain
6:3	136-7949	1	Bearing-Ball	18	121-0229	1	Tube-Drain, Oil
7	136-7945	1	Gasket-Cover, Case	19	139-0556	1	Seal-Oil
8	121-0314	2	Pin-Dowel	20	121-0222	1	Screw-HHF
9	139-0550	1	Shaft-Balance	21	121-0310	2	Washer-Plain

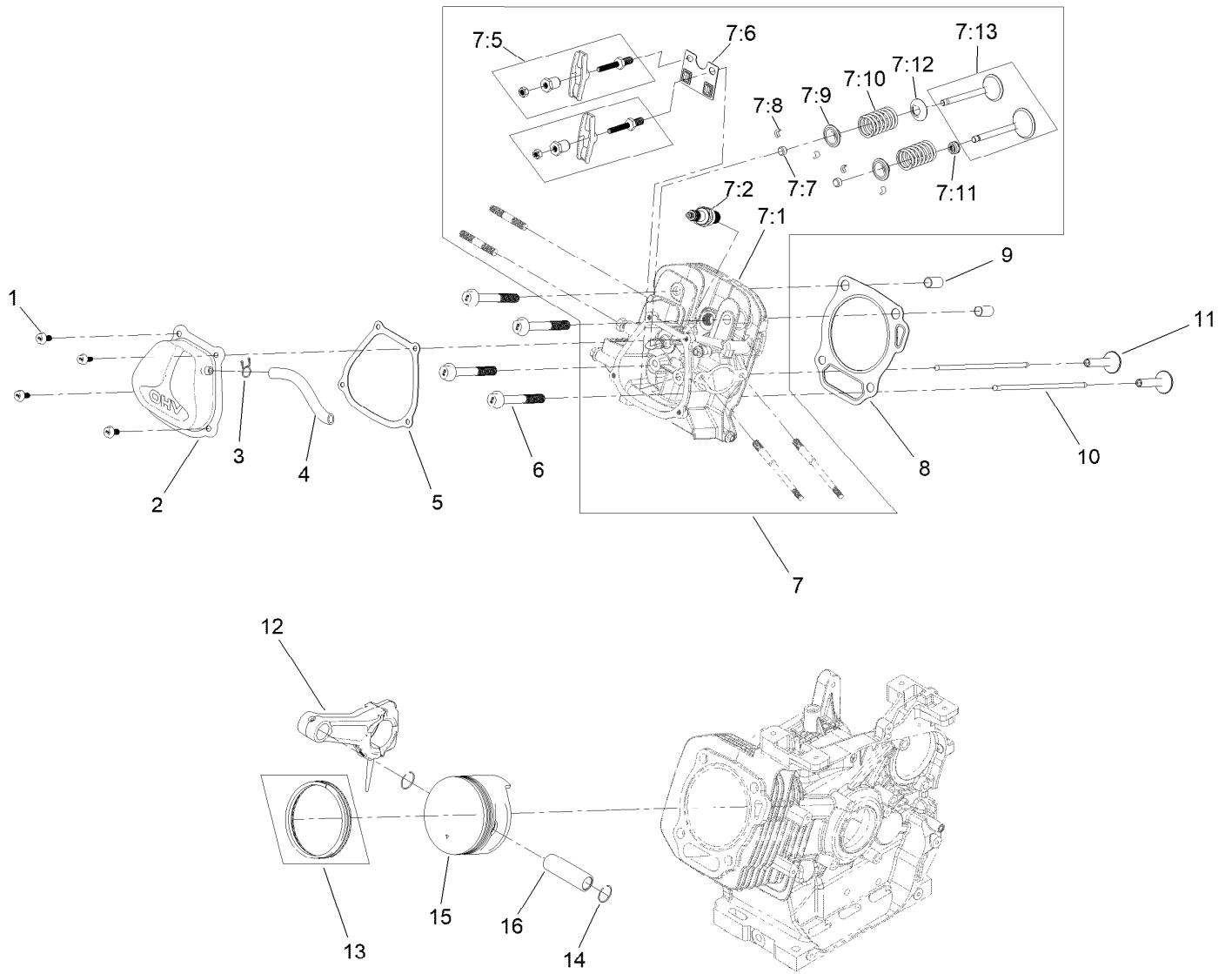
Governor Assembly



Governor Assembly (continued)

<i>Ref.</i>	<i>Part Number</i>	<i>Qty.</i>	<i>Description</i>	<i>Ref.</i>	<i>Part Number</i>	<i>Qty.</i>	<i>Description</i>
1	139-0564	1	Spring-Governor	8	139-0553	1	Shaft-Governor
2	139-0552	1	Nut-Flange	9	136-7944	1	Governor Gear ASM
3	139-0551	1	Arm-Governor	10	121-0261	1	Spring-Return, Throttle
4	120-4238	1	Bolt-Arm, Governor	11	139-0584	1	Rod-Governor
5	120-4257	1	Seal-Oil	12	121-0118	2	Screw-HHF
6	120-4256	1	Pin-Hair	13	139-0562	1	Throttle Control ASM
7	121-0311	1	Washer-Plain	14	121-0269	1	Knob-Control, Throttle

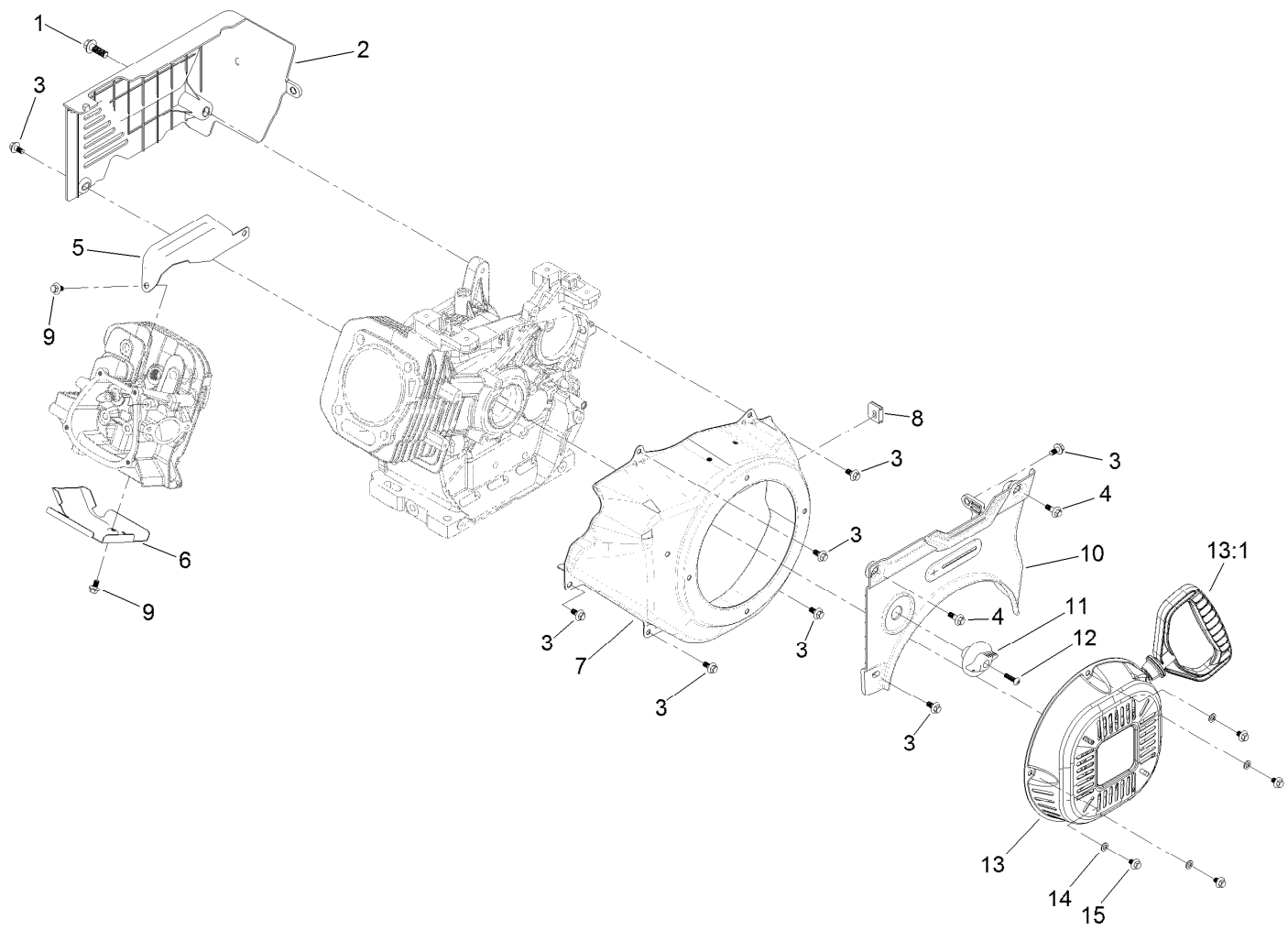
Piston and Head Assembly



Piston and Head Assembly (continued)

<i>Ref.</i>	<i>Part Number</i>	<i>Qty.</i>	<i>Description</i>	<i>Ref.</i>	<i>Part Number</i>	<i>Qty.</i>	<i>Description</i>
1	121-0044	4	Screw-HHF	7:10	120-4305	2	Spring-Valve
2	121-0233	1	Valve Cover ASM	7:11	120-4304	1	Seal-Stem, Valve
3	127-9408	1	Clamp-Hose	7:12	120-4303	1	Seat-Spring, Valve
4	144-0963	1	Tube-Breather	7:13	136-7940	1	Valve Set
5	121-0234	1	Gasket-Cover, Valve	8	139-0590	1	Gasket-Head, Cylinder
6	121-0302	4	Screw-HHF	9	120-4200	2	Pin-Dowel
7	139-0595	1	Complete Head ASM	10	136-7938	2	Rod-Push
7:1	136-7932	1	Head-Cylinder	11	120-4298	2	Lifter-Valve
7:2	81-3250	1	Spark Plug	12	136-7946	1	Connecting Rod ASM
7:5	121-0245	2	Rocker Arm ASM	13	144-0961	1	Ring Set, Piston
7:6	121-0247	1	Plate-Guide, Push Rod	14	120-4288	2	Ring-Retaining, Piston Pin
7:7	121-0244	2	Rotator-Valve	15	144-0960	1	Piston
7:8	120-4307	4	Keeper-Valve	16	120-4291	1	Pin-Piston
7:9	120-4306	2	Retainer-Spring, Valve				

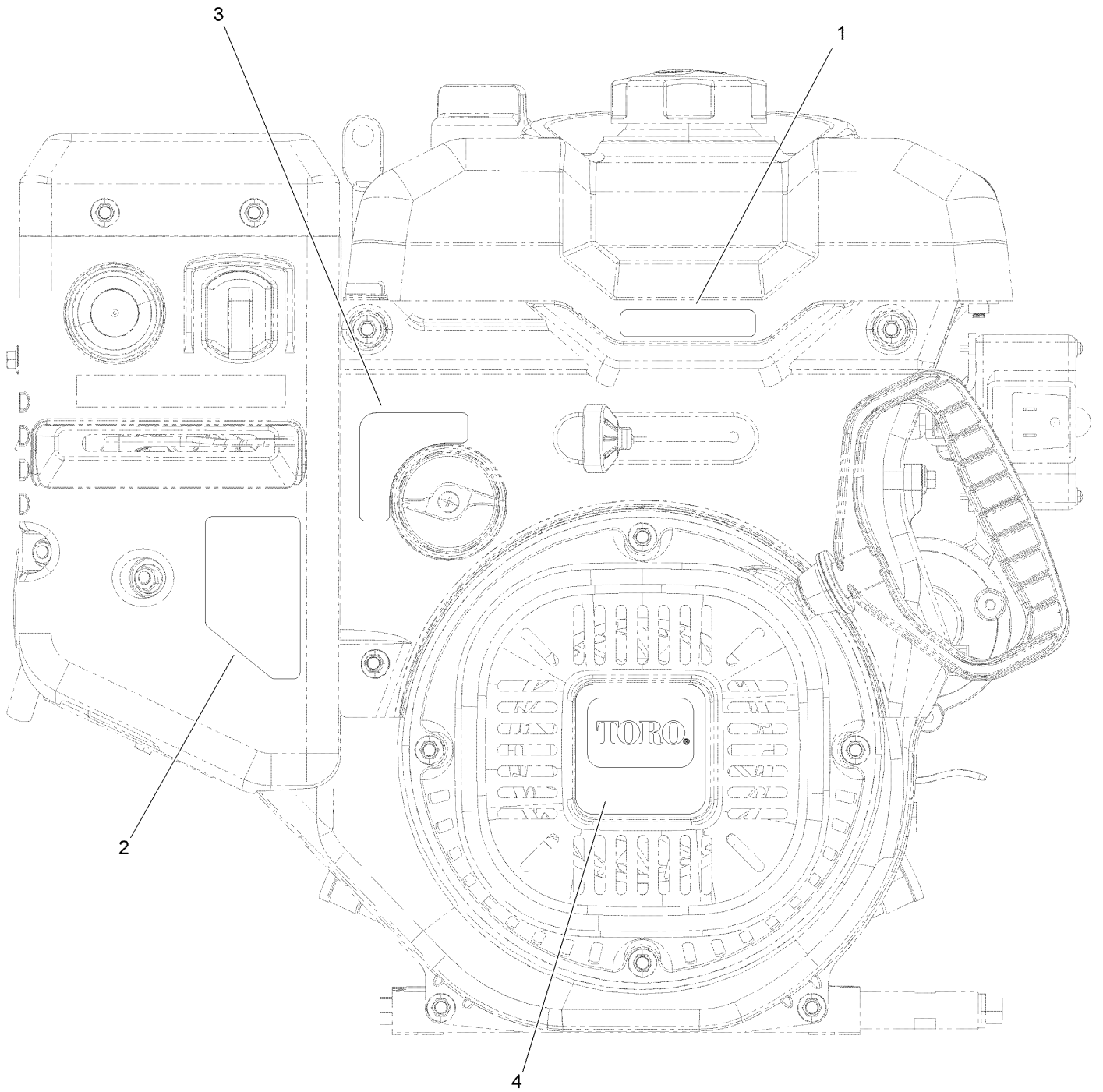
Blower Housing and Shrouds Assembly



Blower Housing and Shrouds Assembly (continued)

<i>Ref.</i>	<i>Part Number</i>	<i>Qty.</i>	<i>Description</i>	<i>Ref.</i>	<i>Part Number</i>	<i>Qty.</i>	<i>Description</i>
1	139-0575	1	Screw-HHF	9	121-0118	2	Screw-HHF
2	139-0576	1	Panel-Rear	10	139-0565	1	Panel-Control, Front
3	121-0294	8	Screw-HHF	11	121-0268	1	Knob-Valve, Fuel
4	121-0296	2	Screw-HHF	12	121-0305	1	Screw-Bhp
5	136-7937	1	Shroud-Head, Upper	13	139-0561	1	Recoil ASM
6	136-7933	1	Shroud-Head, Lower	13:1	121-0287	1	Handle-Recoil
7	121-0307	1	Shroud-Recoil	14	127-9380	4	Washer-Plain
8	121-0325	1	Grommet-Rubber	15	127-9031	4	Screw-HHF

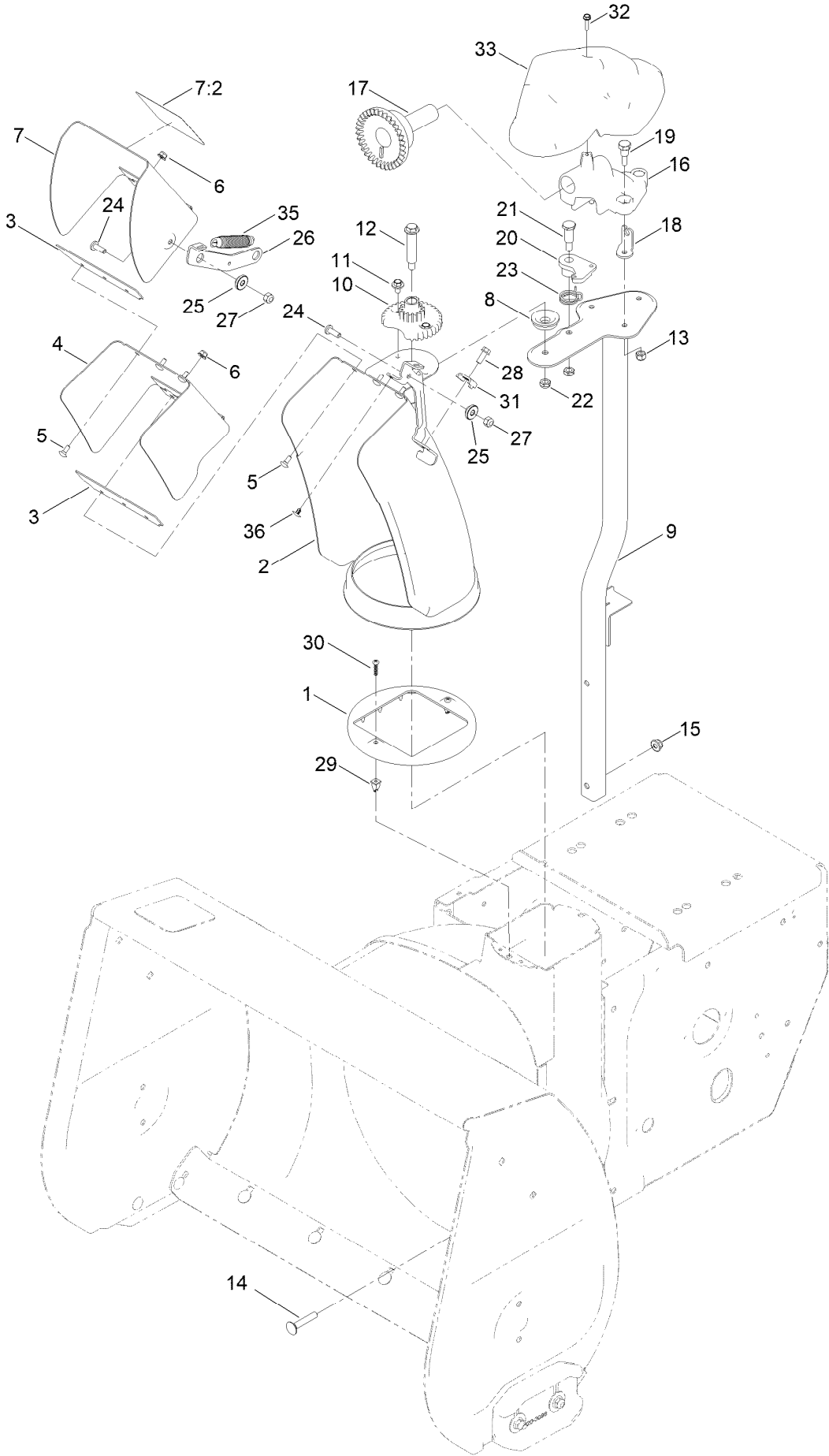
Engine Decal Assembly



Engine Decal Assembly (continued)

<i>Ref.</i>	<i>Part Number</i>	<i>Qty.</i>	<i>Description</i>	<i>Ref.</i>	<i>Part Number</i>	<i>Qty.</i>	<i>Description</i>
1	131-6487	1	Decal-Throttle	3	136-7825	1	Decal-Valve, Fuel
2	120-9805	1	Decal-Control, Engine	4	138-3622	1	Decal-Recoil

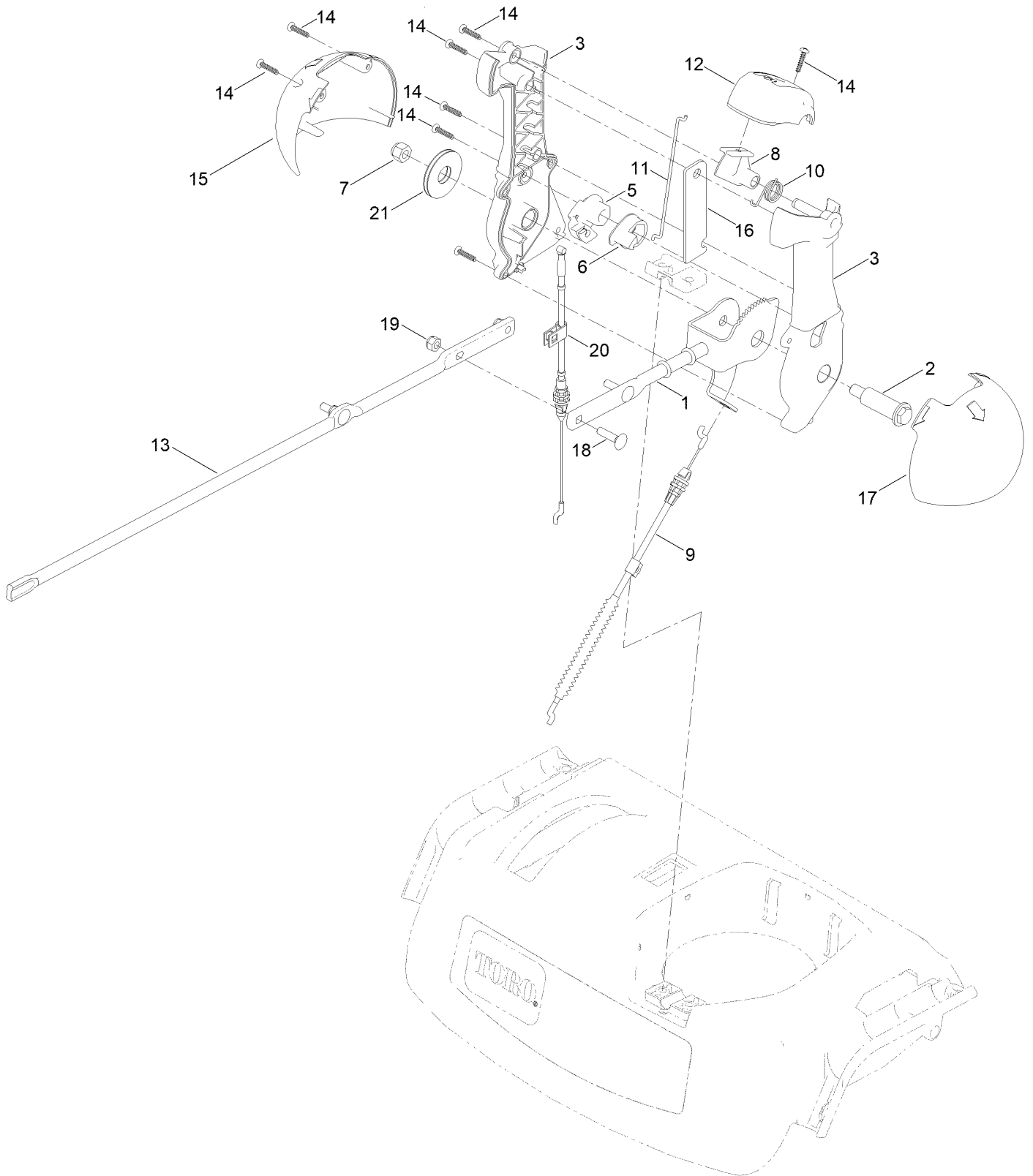
Chute Assembly



Chute Assembly (continued)

<i>Ref.</i>	<i>Part Number</i>	<i>Qty.</i>	<i>Description</i>	<i>Ref.</i>	<i>Part Number</i>	<i>Qty.</i>	<i>Description</i>
1	136-6515	1	Guide-Chute	18	136-6676	1	Anchor-Cable
2	136-6580-01	1	Lower Chute ASM	19	136-7197	3	Screw-Shoulder
3	138-3671	2	Gasket-Deflector	20	136-6525	1	Latch-Chute
4	136-6582-01	1	Middle Deflector ASM	21	137-3103	1	Screw-Shoulder, HH
5	135-1929	6	Bolt-CARR	22	137-3089	2	Nut-Hex
6	138-0719	6	Nut-HF	23	108-7315	1	Spring-Torsion
7	139-1564	1	Deflector ASM	24	138-0689	2	Screw-PH
7:2	121-6847	1	Decal-Danger	25	138-0687	2	Bushing-Pivot
8	106-4422	1	Spacer-Chute	26	136-6522	1	Link-Deflector
9	137-6245-03	1	Chute Post ASM	27	137-3094	2	Nut-Hex
10	106-4472	1	Gear-Chute	28	32144-85	1	Screw-HWH Thd Form
11	46-6810	2	Screw And Washer ASM	29	136-6586	2	Grommet-Screw
12	136-7199	1	Bolt-Shoulder	30	94-4496	2	Screw-PPH
13	137-3088	3	Nut-Hex	31	136-7191	1	Clamp-Cable
14	137-3063	2	Bolt-Car	32	137-3110	1	Screw-Plastite, HWH
15	119-4041	2	Nut-HF	33	136-6672	1	Cover-Gear, Face
16	136-6517	1	Mount-Gear, Face	35	132-6915	1	Spring-Extension
17	106-4471	1	Gear-Face	36	138-3651	1	Plug-Plastic

Chute Control Assembly



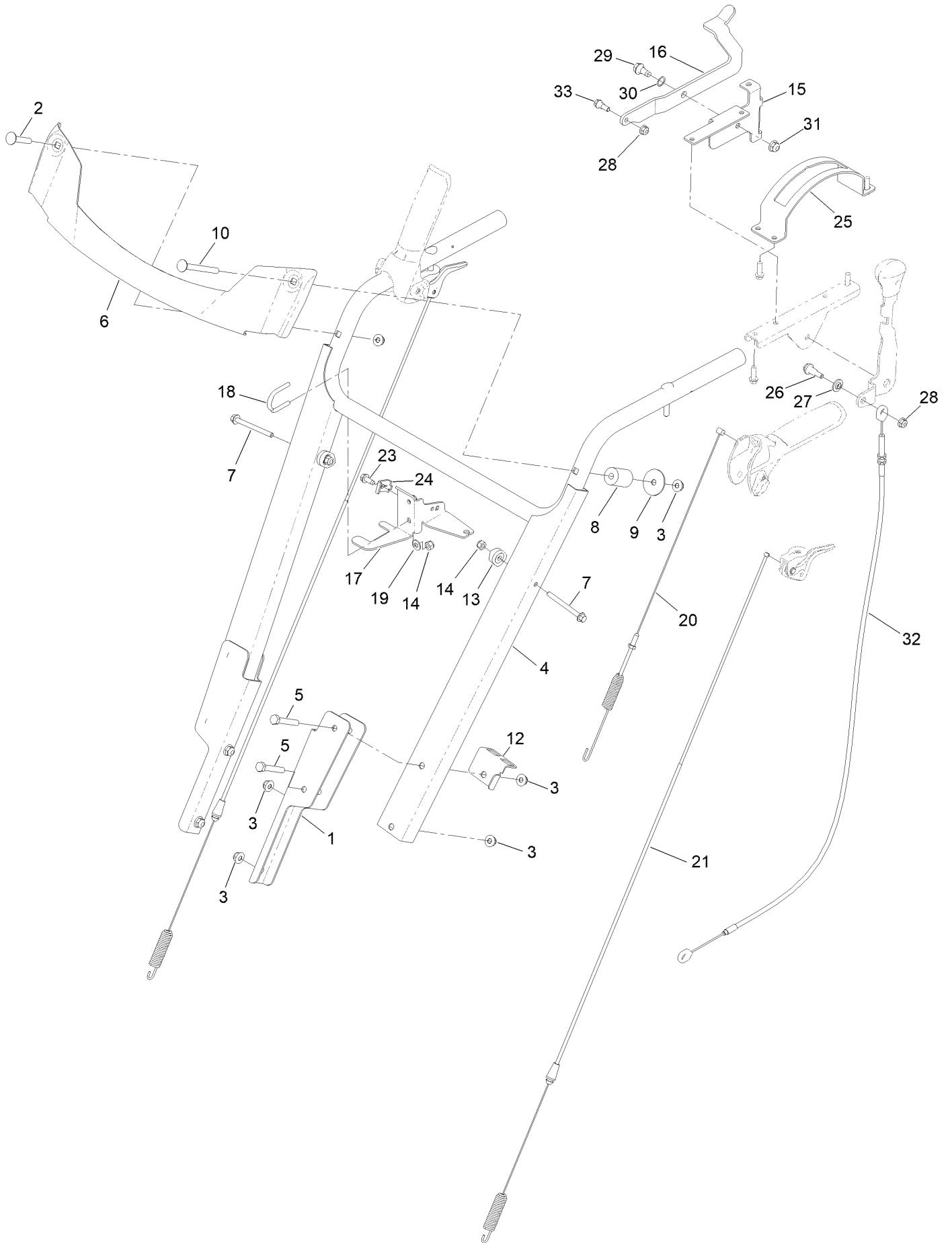
Chute Control Assembly (continued)

<i>Ref.</i>	<i>Part Number</i>	<i>Qty.</i>	<i>Description</i>	<i>Ref.</i>	<i>Part Number</i>	<i>Qty.</i>	<i>Description</i>
1	138-0662	1	Rod-Control, Chute	12	137-6239	1	Cap-Lever
2	138-0659	1	Screw-Shoulder, HWH	13	136-6578	1	Rod-Chute, Rotation
3	139-1552	1	Chute Control Lever ASM	14	94-4496	8	Screw-PPH
5	105-9988	1	Lever-Cable, Deflector	15	136-6677	1	Globe-Quickstick, RH
6	106-7310	1	Pawl-Latch	16	136-6632-03	1	Plate-Stiffner
7	137-3087	1	Nut-Hex	17	136-6678	1	Globe-Quickstick, LH
8	137-6238	1	Trigger-Latch	18	137-3056	3	Bolt-CARR
9	138-0730	1	Cable-Control, Deflector	19	137-3094	3	Nut-Hex
10	105-9982	1	Spring-Torsion	20	139-9903	1	Cable-Release, Chute
11	138-0688	1	Link-Latch	21	138-0744	1	Washer-Friction, Composite

Traction Control Assembly (continued)

<i>Ref.</i>	<i>Part Number</i>	<i>Qty.</i>	<i>Description</i>	<i>Ref.</i>	<i>Part Number</i>	<i>Qty.</i>	<i>Description</i>
2	137-3052	4	Screw-HH	39	98-3499	1	Washer-Flat
8	144-1601	1	Panel-Control, Assembly	40	138-0681	1	Screw-Shoulder
8:2	138-0650	1	Decal-Safety	41	137-6227	1	Lock-Handle
9	137-6178	1	Cover-Quickstick	42	137-9137	1	Screw-PPH
10	105-9987	2	Support-Rod	43	137-6229	1	Latch-Lockout
11	137-3099	9	Screw-Plastite, HWH	44	138-8466	1	Cam-Lockout
12	137-6197-01	1	Brace-Console	45	138-3652	1	Link-Lockout
14	137-6187-03	1	Gate-Shift	46	137-6171	2	Lever-Control
15	137-6188-03	1	Bracket-Shift	50	138-3644	1	Harness-Wire, LED And Hand Warmers
16	137-6231-03	1	Selector-Speed	51	614249	2	Tie-Cable
22	105-9999	1	Knob-Shift, LH	53	32180-030	1	Clip-Tie
23	106-4423	1	Knob-Shift, RH	54	110-3408	1	Stick-Cleanout
24	94-4496	1	Screw-PPH	55	122-1124	1	Switch-Rocker, On-None-Off (Heater)
30	105-9980	2	Mount-Lever, Clutch	57	3290-271	4	Rivet-Pop
31	106-4505	2	Lever-Clutch	58	138-8467	1	Collar-Cam
32	1-808265	2	Pin-Clevis	60	127-5951	2	Grip-Heated
33	138-3661	1	Cable-Auger	61	144-0329	1	Decal-Console, Powermax Trx HD 1432
34	108-2992	2	Pin-Hair	62	137-3093	1	Nut-Hex
35	136-7161	1	Spring-Lockout, Handle	63	140-3749	3	Nut-Lock Rohs
36	137-6182	1	Rod-Lockout				
37	138-0678	1	Spring-Torsion, Handle Return				
38	139-3694	3	Screw-HSH,Spl				

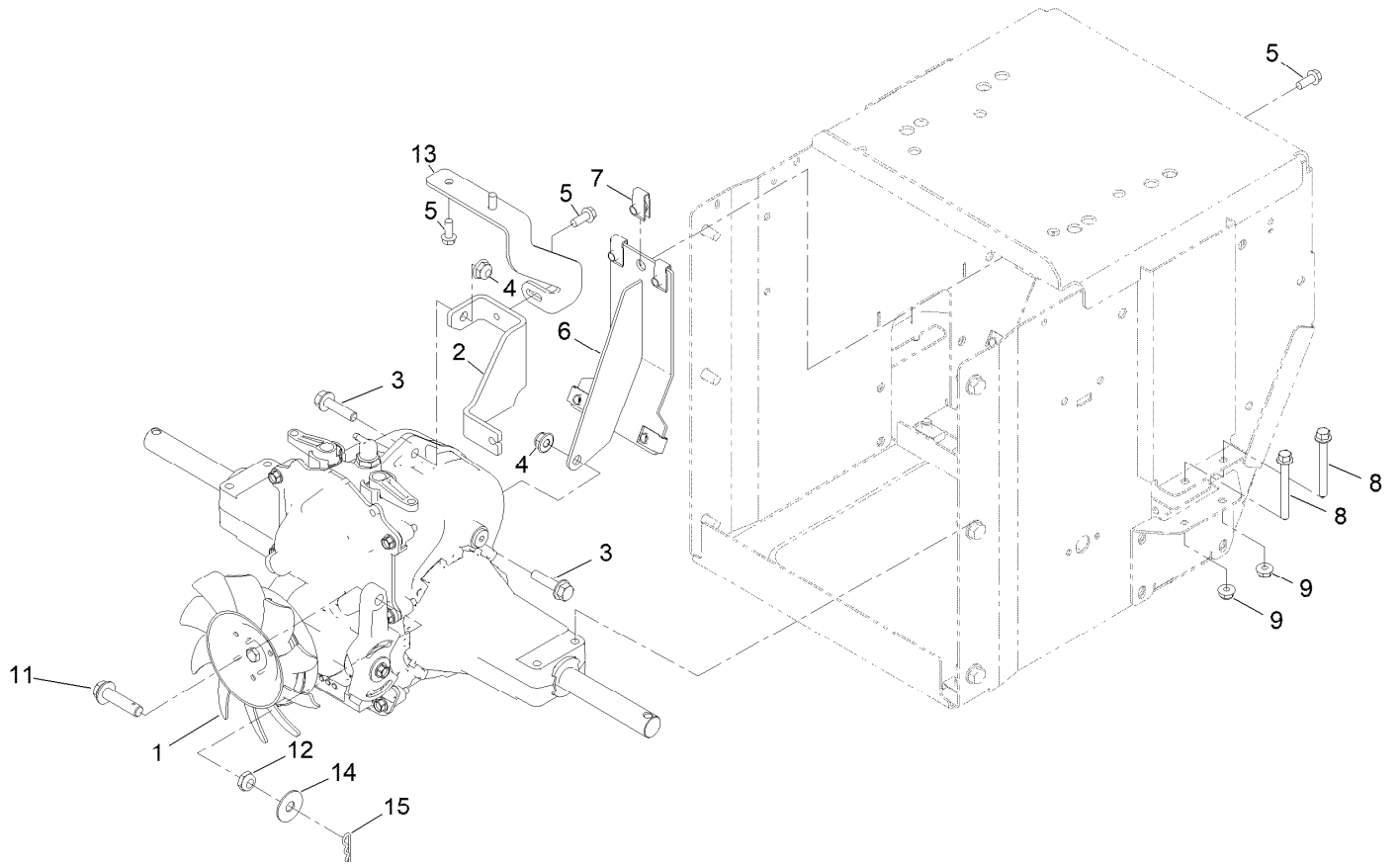
Handle Assembly



Handle Assembly (continued)

<i>Ref.</i>	<i>Part Number</i>	<i>Qty.</i>	<i>Description</i>	<i>Ref.</i>	<i>Part Number</i>	<i>Qty.</i>	<i>Description</i>
1	137-6221-03	2	Bracket-Handle, Lower	18	136-7120	1	Clamp-Light
2	138-8402	1	Bolt-CARR	19	139-1699	2	Washer-Flat
3	138-8401	12	Nut-HF	20	140-7927	1	Cable - Traction Upper
4	137-6224-03	1	HD Handle ASM	21	140-7926	2	Cable-Clutch
5	120-9686	4	Screw-HH	23	137-3043	1	Screw-HWH
6	137-6233-01	1	Trim-Metal, HD	24	136-7191	1	Clamp-Cable
7	138-3653	2	Screw-HHF	25	140-7925-03	1	Gate-Shift, Speed
8	108-2301	1	Spacer	26	104-0858	1	Bolt-Shoulder
9	115-1151	1	Washer-Flat	27	99-6808	1	Washer-Stepped
10	138-0741	1	Screw-CARR	28	119-4040	2	Nut-HF, NI
12	138-0724-03	1	Bracket-Stick, Cleanout	29	126-4424	1	Screw-Shoulder
13	106-4509	2	Clamp-Cable	30	142-2432	1	Washer, Wave
14	137-3094	2	Nut-Hex	31	119-4041	1	Nut-HF
15	140-7917-03	1	Bracket-Lever	32	140-7863	1	Cable-Hydro, Push Pull
16	140-7932-03	1	Lever-Adjustment, Track	33	42-3560	1	Bolt-Shoulder
17	140-7931-03	1	Bracket-Cable, Speed				

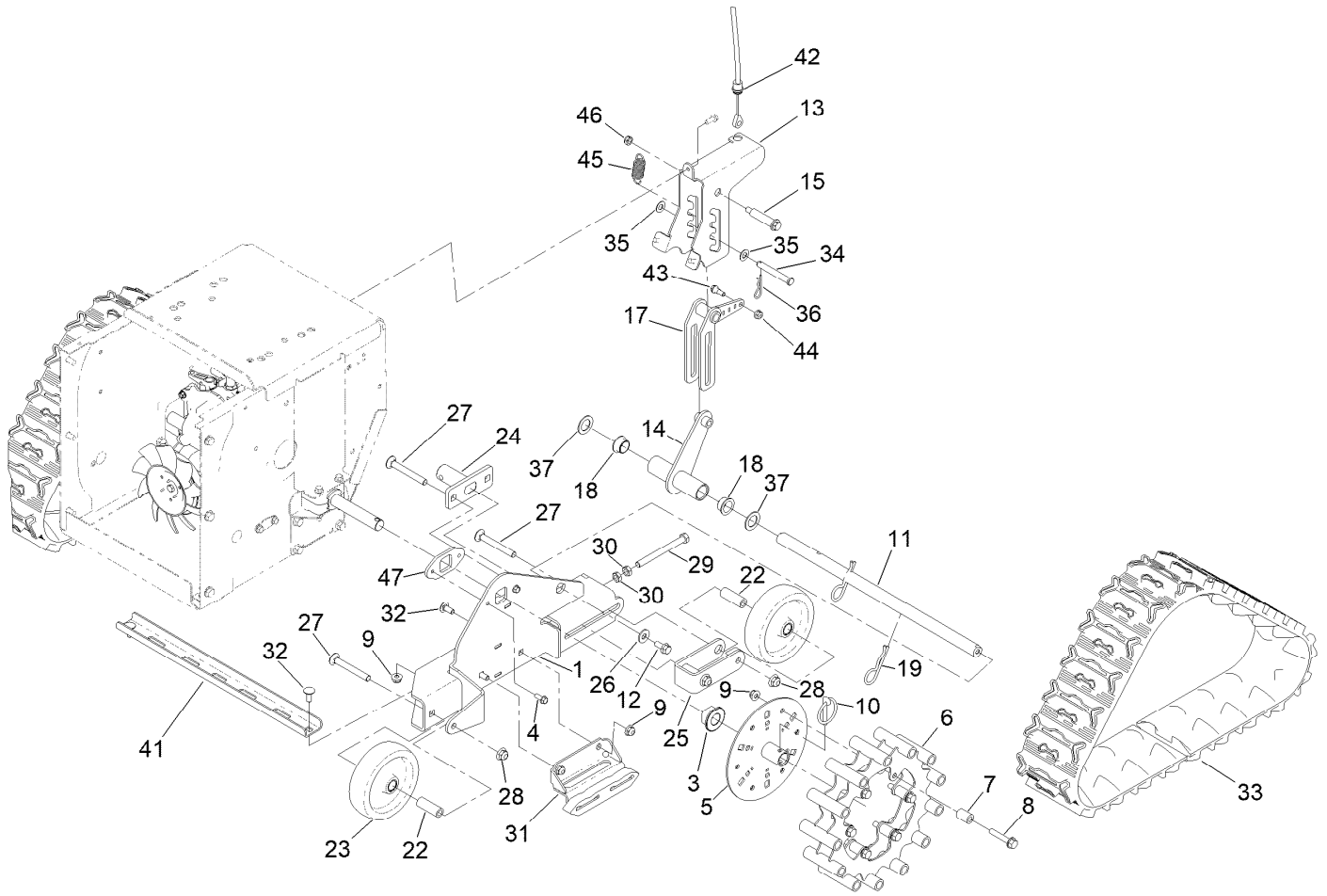
Hydrostatic Drive Assembly



Hydrostatic Drive Assembly (continued)

<i>Ref.</i>	<i>Part Number</i>	<i>Qty.</i>	<i>Description</i>	<i>Ref.</i>	<i>Part Number</i>	<i>Qty.</i>	<i>Description</i>
1	140-7930	1	Hydro - Sst	8	138-3326	4	Screw-HHF
2	140-7936-03	1	Bracket-Hydro, Cable	9	137-3005	4	Nut-HF
3	119-4036	2	Screw-HHF	11	144-1226	1	Screw-HHF Spcl
4	119-4041	2	Nut-HF	12	3296-59	1	Nut-Lock, NI
5	32144-85	8	Screw-HWH Thd Form	13	140-7937-03	1	Bracket-Hydro, Upper
6	140-7899-03	1	Bracket-Hydro, Rear	14	119-4150	1	Washer-Flat
7	107069	5	Clip	15	3290-307	1	Pin-Cotter

Track Drive Assembly



Track Drive Assembly (continued)

<i>Ref.</i>	<i>Part Number</i>	<i>Qty.</i>	<i>Description</i>	<i>Ref.</i>	<i>Part Number</i>	<i>Qty.</i>	<i>Description</i>
1	140-7865-03	1	Support-Track, ASM LH	25	140-7879-03	2	Yoke-Bogey
2	140-7870-03	1	Support-Track, ASM RH ●	26	139-1723	2	Washer-Flat
3	120-7162	2	Bushing-Axle	27	109-6868	6	Bolt-Carriage
4	32144-85	4	Screw-HWH Thd Form	28	119-4042	6	Nut-HF, NI
5	140-7886-03	2	Hub-Drive, Weld ASM	29	140-7923	2	Screw-HH
6	140-7889-01	2	Wheel-Drive, Weld ASM	30	115-1166	2	Washer-Plain
7	140-7864	12	Tube-Support	31	140-7878	2	Skid-Track, ASM
8	135-5779	12	Screw-HHF	32	137-3061	6	Bolt-CARR
9	119-4041	18	Nut-HF	33	140-7862	2	Track-Snow
10	107-3039	2	Pin-Lynch	34	283-52	1	Pin-Clevis
11	140-7914-03	1	Bar-Pivot	35	131-8667	2	Washer-Thrust
12	139-2598	2	Screw-HHF	36	3290-467	1	Pin-Hair
13	140-7905-03	1	Bracket-Height, Adjuster	37	3-8664	2	Washer-Thrust
14	140-7910-03	1	Pivot-Link, Weld ASM	41	140-7929-01	1	Brace-Front
15	136-7199	1	Bolt-Shoulder	42	140-7928	1	Cable-Adjust, Height
17	140-7909-03	1	Latch ASM, Welded	43	42-3560	1	Bolt-Shoulder
18	109-8054	2	Bushing-Flange	44	119-4040	1	Nut-HF, NI
19	3290-343	2	Pin-Hair	45	107-1045	1	Spring-Extension
22	140-7876	6	Bushing-Tensioner	46	137-3089	1	Nut-Hex
23	140-7921	4	Wheel-Bogey	47	140-7943-03	2	Support-Bushing, Axle
24	140-7890-03	2	Tensioner, Welded				

● Not illustrated

Attachments and Accessories

For 38875 Power TRX Commercial 1432 OHXE Snowthrower

Product Name	Model/Part
Heated Grip Kit	131-6460
Kit-Cab.....	139-1640
Toro Snow Oil 0W30 Synthetic 20-Ounce Bottle	38913
Power Max HD Covers (2019)	490-7415

Notes:

Notes:

Notes:



Count on it.