



**Count on it.**

**Parts Catalog**

**Power TRX Commercial 1432  
OHXE Snowthrower**

Model No. 38891—Serial No. 40000000 and Up



# Ordering Replacement Parts

To order replacement parts, please supply the part number, the quantity, and the description of each part desired.

## Understanding Reference Numbers

Each identified part in an illustration has a reference number. The reference number for a part also appears in the parts list, along with other information about the part.

This catalog uses two special reference number formats, one to indicate parts in a service assembly and another to indicate the quantity of a given part in an illustration.

## Service Assembly Reference Numbers

Parts in service assemblies have reference numbers in the form a:b. The a represents the reference number of the entire service assembly and the b represents a sequential number unique to each part within the service assembly.

For example, a wheel assembly might be identified by reference number 6, the tire by 6:1, the valve by 6:2, and the wheel by 6:3. When you order the assembly identified by reference number 6, you receive all parts identified by reference numbers 6:1, 6:2, and 6:3. However, you may also order any part individually. Reference numbers of this type appear in illustration and in parts lists.

## Reference Numbers Indicating Quantity

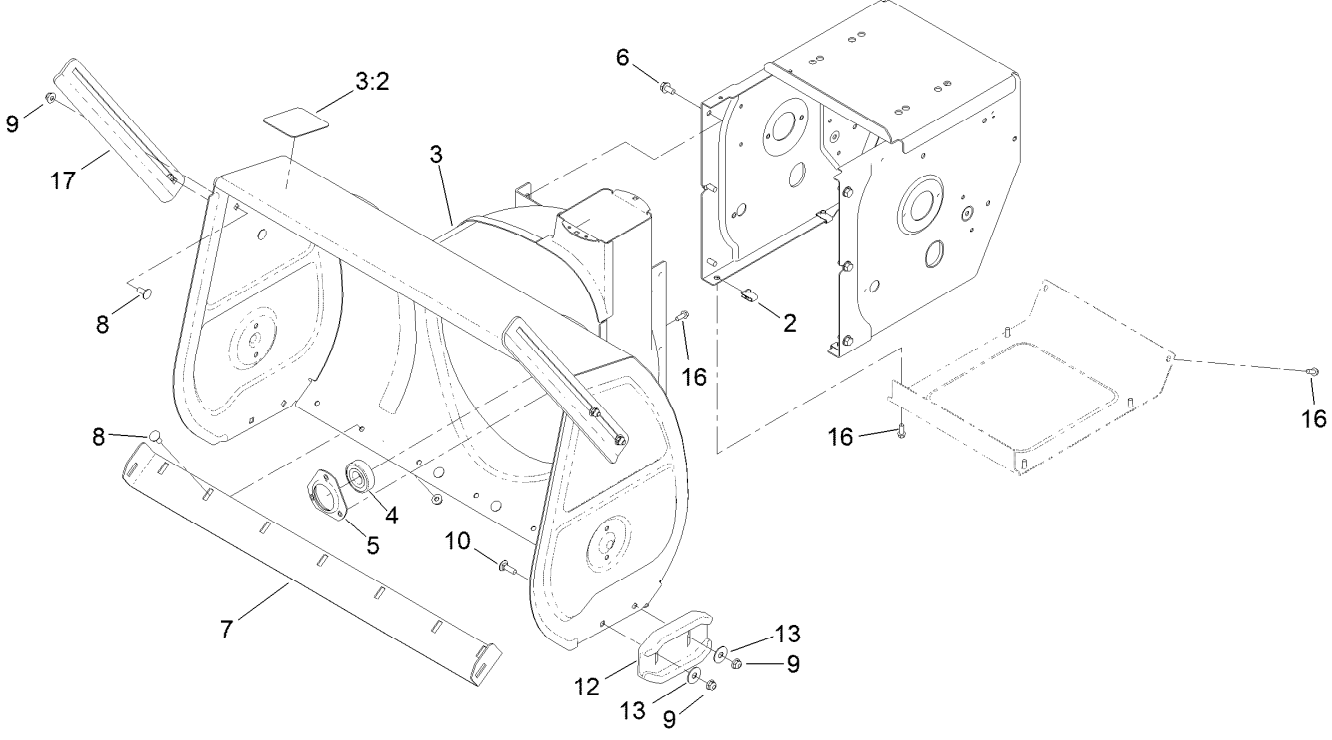
In an illustration, if a reference number indicates more than one part, the reference number has the form nX y. The n represents the quantity of the part, the X is the multiplication symbol, and the y represents the reference number.

For example, in an illustration, the reference number 2X 37 means that two of the parts identified by reference number 37 are indicated.

# Contents

Main Frame Assembly . . . . .	4
Traction Frame Assembly . . . . .	6
Auger Drive Assembly . . . . .	8
Belt Drive Assembly . . . . .	10
Gear Case Assembly . . . . .	12
Engine Assembly . . . . .	14
Fuel Systems and Carburetor Assembly . . . . .	16
Intake and Exhaust Assembly . . . . .	18
Ignition and Electrical Assembly . . . . .	20
Crankcase Assembly . . . . .	22
Governor Assembly . . . . .	24
Piston and Head Assembly . . . . .	26
Blower Housing and Shrouds Assembly . . . . .	28
Engine Decal Assembly . . . . .	30
Chute Assembly . . . . .	32
Chute Control Assembly . . . . .	34
Traction Control Assembly . . . . .	36
Handle Assembly . . . . .	38
Hydrostatic Drive Assembly . . . . .	40
Track Drive Assembly . . . . .	42
Attachments and Accessories . . . . .	44

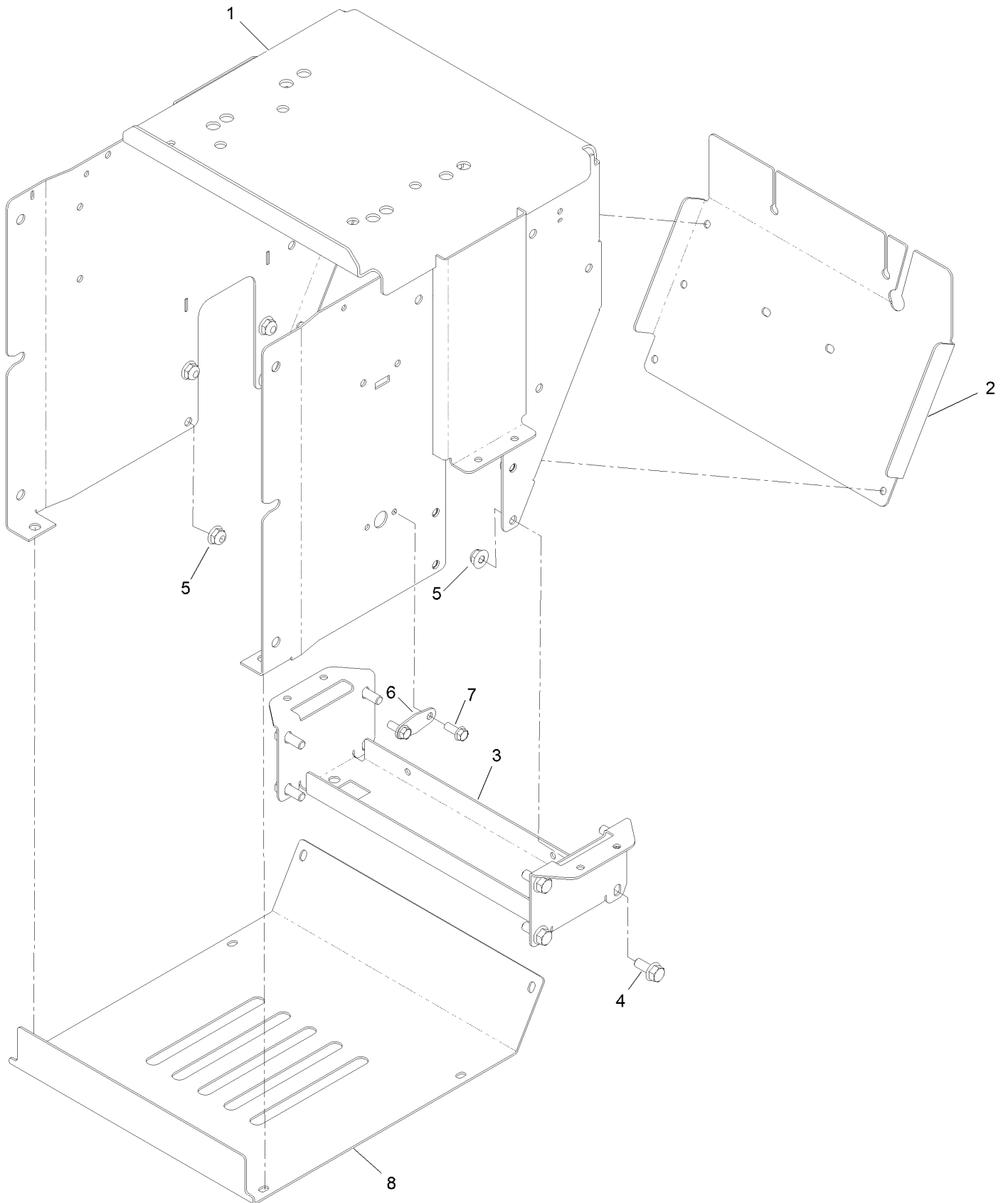
# Main Frame Assembly



## Main Frame Assembly (continued)

<i>Ref.</i>	<i>Part Number</i>	<i>Qty.</i>	<i>Description</i>	<i>Ref.</i>	<i>Part Number</i>	<i>Qty.</i>	<i>Description</i>
2	107069	8	Clip	8	137-3061	11	Bolt-CARR
3	139-1563	1	Auger Housing ASM	9	119-4041	15	Nut-HF
3:2	121-6817	1	Decal-Danger, Auger	10	110-3144	4	Bolt-CARR
4	136-6571	1	Bearing-Ball	12	120-3098-03	2	Skid-Cast
5	136-6573	1	Retainer-Bearing	13	119-4150	4	Washer-Flat
6	32144-14	6	Screw-HWHTF	16	32144-85	11	Screw-HWH Thd Form
7	136-6602-01	1	Blade-Scraper	17	121-1228-03	2	Breaker-Drift, Side

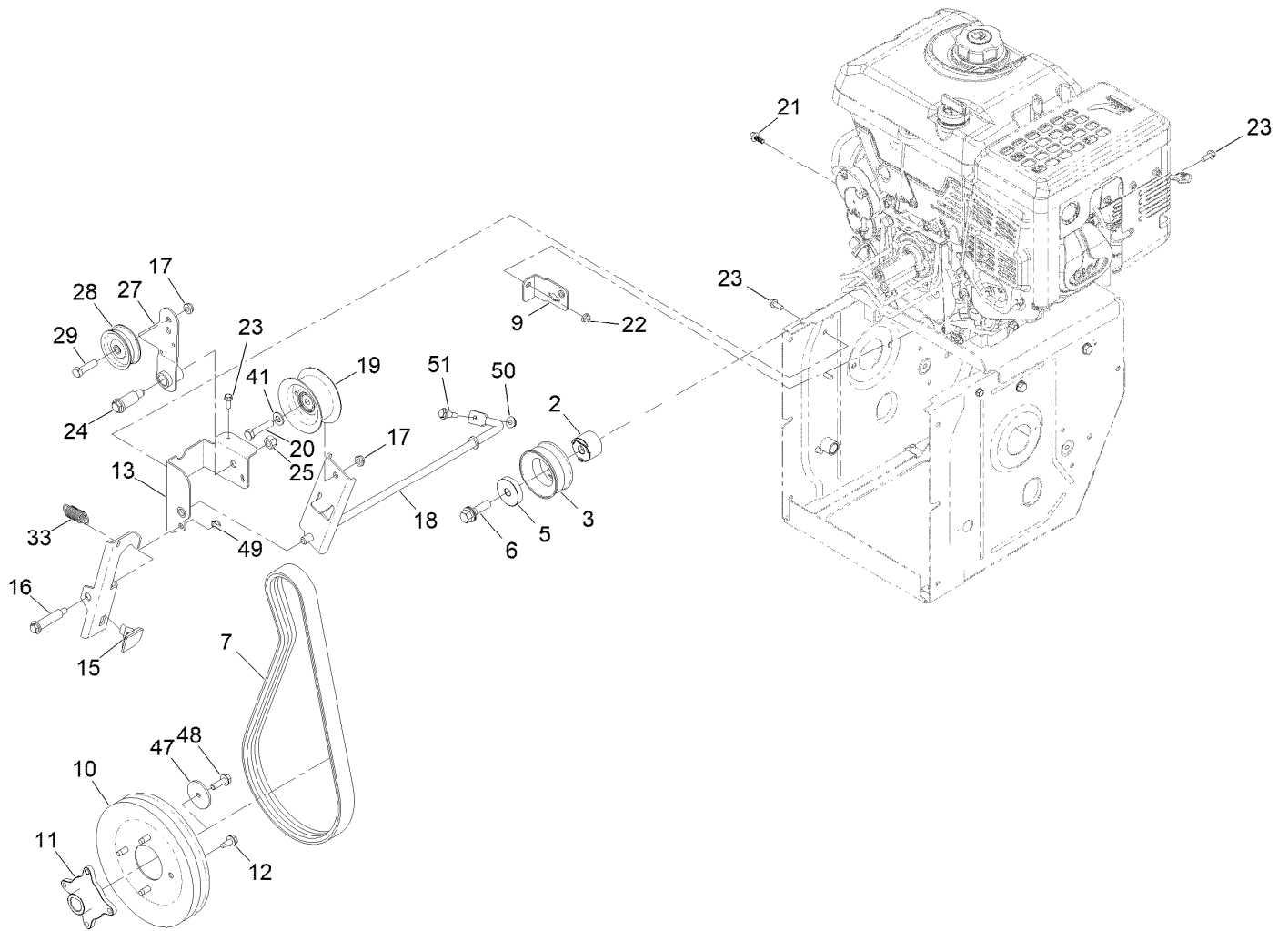
# Traction Frame Assembly



## Traction Frame Assembly (continued)

<i>Ref.</i>	<i>Part Number</i>	<i>Qty.</i>	<i>Description</i>	<i>Ref.</i>	<i>Part Number</i>	<i>Qty.</i>	<i>Description</i>
1	140-7904-01	1	Frame-Traction	5	119-4041	8	Nut-HF
2	140-7916-01	1	Cover-Rear	6	140-7934-03	1	Cover-Lock, Neutral
3	140-7915-01	1	Brace-Frame, Lower	7	32144-85	2	Screw-HWH Thd Form
4	139-2598	8	Screw-HHF	8	145-1654-01	1	Cover-Bottom

# Auger Drive Assembly

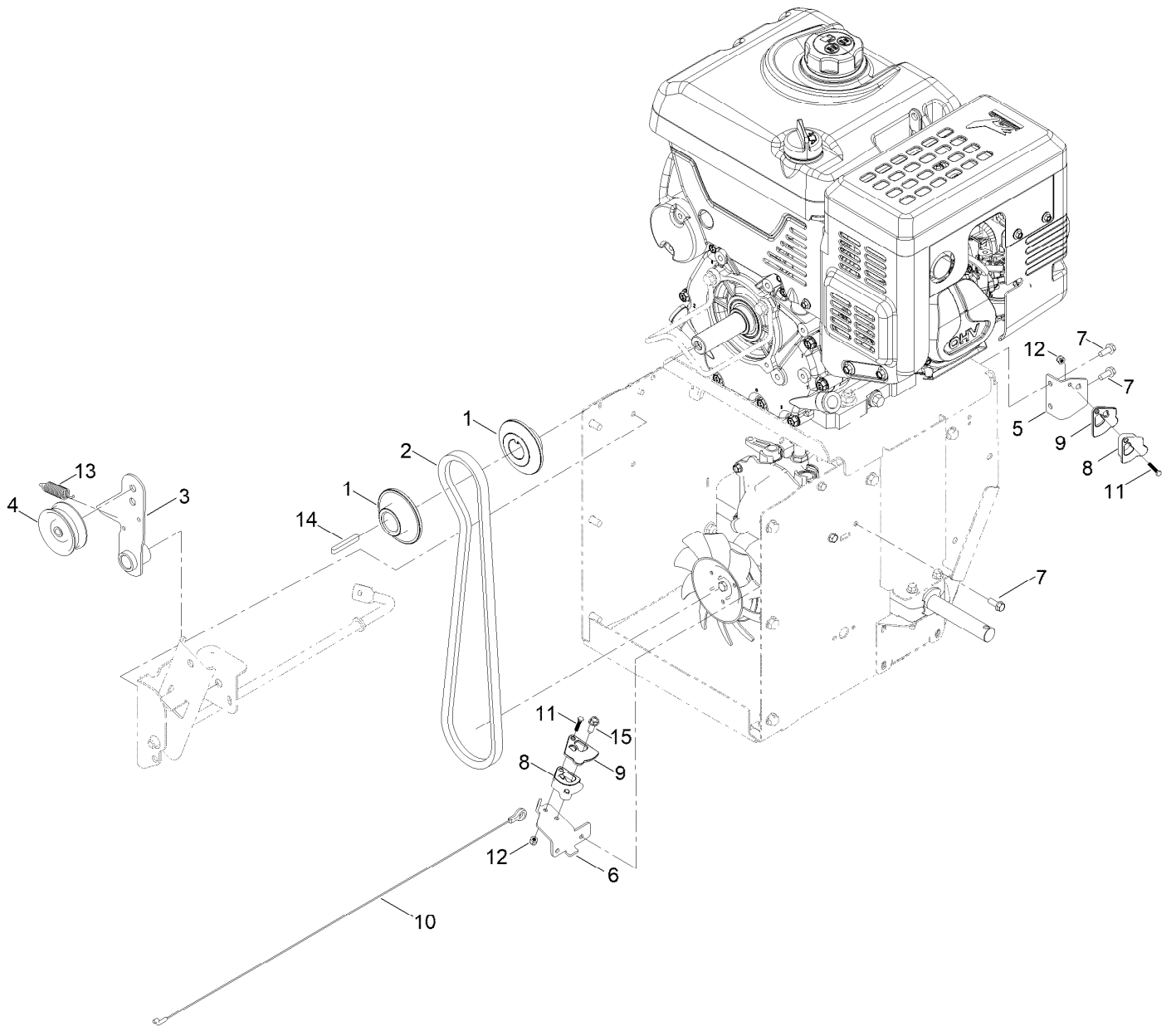




## Auger Drive Assembly (continued)

<i>Ref.</i>	<i>Part Number</i>	<i>Qty.</i>	<i>Description</i>	<i>Ref.</i>	<i>Part Number</i>	<i>Qty.</i>	<i>Description</i>
2	136-6691	1	Pulley-Spacer	20	138-0722	1	Screw-HH
3	136-6690	1	Pulley-Impeller, Double Sheave	21	137-3111	1	Screw-HHF
5	138-3662	1	Support-Pulley	22	137-3005	1	Nut-HF
6	125-2466	1	Bolt-Blade	23	32144-85	9	Screw-HWH Thd Form
7	136-6504	1	Belt-V	24	136-7116	1	Bolt-Shoulder
9	136-8654-03	1	Bracket-Clutch, Impeller	25	137-3095	1	Nut-Hex
10	136-6557	1	Pulley-Impeller, Double Sheave	27	136-7186	1	Arm-Idler, Traction
11	136-6558	1	Hub-Pulley	28	3-4244	1	Pulley-Idler
12	32144-70	4	Screw-HWHTF	29	137-3065	1	Screw-HH
13	136-8671-03	1	Bracket-Brake, Clutch	33	107-1045	1	Spring-Extension
15	66-8060	1	Pad-Brake	41	115-1166	2	Washer-Plain
16	136-7199	1	Bolt-Shoulder	47	137-3121	1	Washer-Plain
17	121-4600	2	Nut-Hex	48	115-5142	1	Screw-HHF
18	137-6234-03	1	Arm-Clutch, Impeller	49	137-3089	1	Nut-Hex
19	136-6531	1	Pulley, Idler	50	137-3016	1	Nut-HF
				51	104-0858	1	Bolt-Shoulder

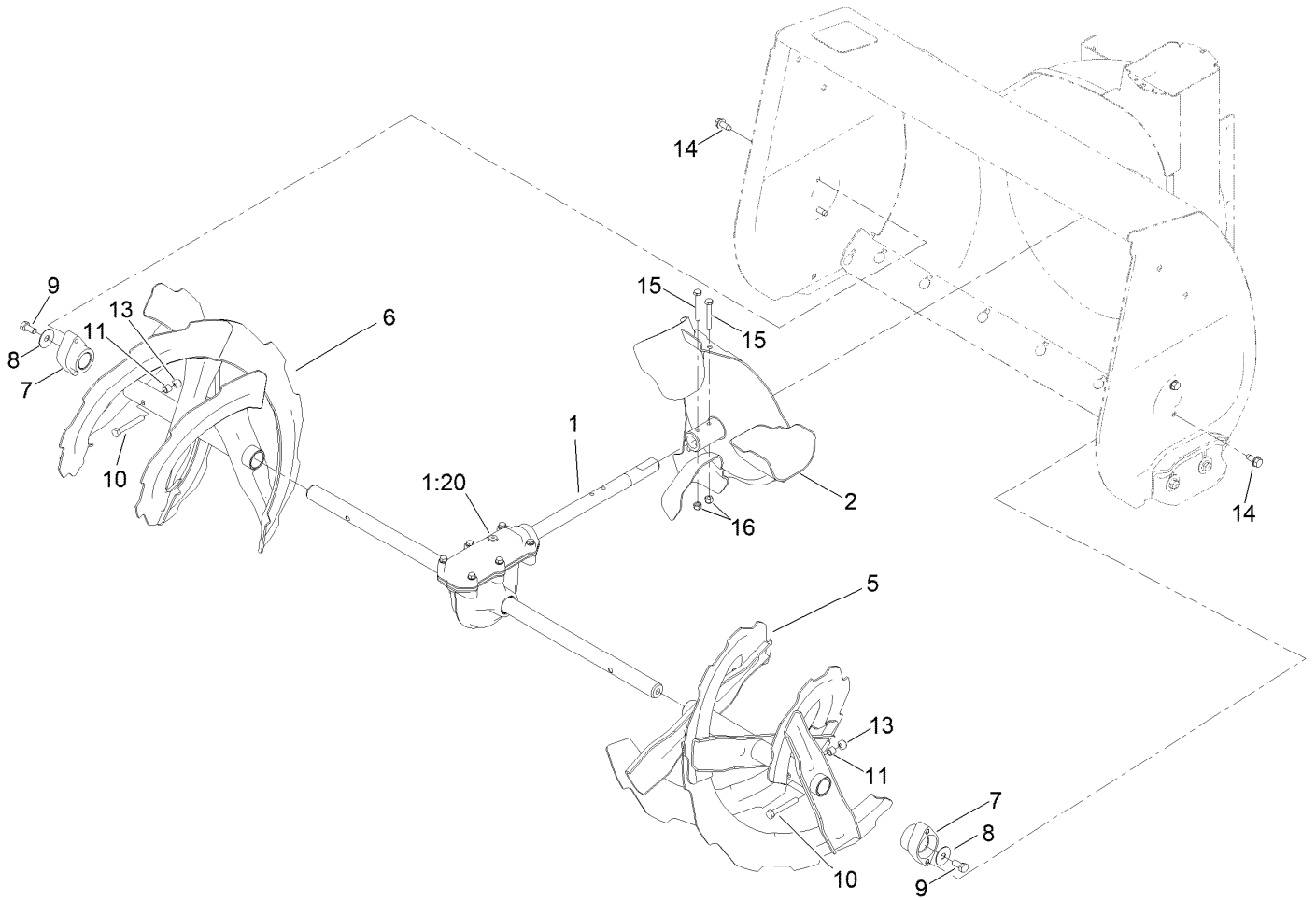
# Belt Drive Assembly



## Belt Drive Assembly (continued)

<i>Ref.</i>	<i>Part Number</i>	<i>Qty.</i>	<i>Description</i>	<i>Ref.</i>	<i>Part Number</i>	<i>Qty.</i>	<i>Description</i>
1	140-7944	2	Sheave-Traction	9	139-3564	2	Cap-Guide, Cable
2	140-7940	1	Belt-Traction (A, 41.00)	10	140-7924	1	Cable-Traction
3	136-7186	1	Arm-Idler, Traction	11	360-0272	2	Screw
4	3-4244	1	Pulley-Idler	12	520-0006	2	Nut-Hex, Nylock
5	140-7895-03	1	Bracket-Cable	13	80-4600	1	Spring-Extension
6	140-7894-03	1	Anchor-Cable	14	140-7941	1	Key-Square
7	32144-85	4	Screw-HWH Thd Form	15	49-2040	1	Screw-HWHTF
8	139-3565	2	Guide-Cable				

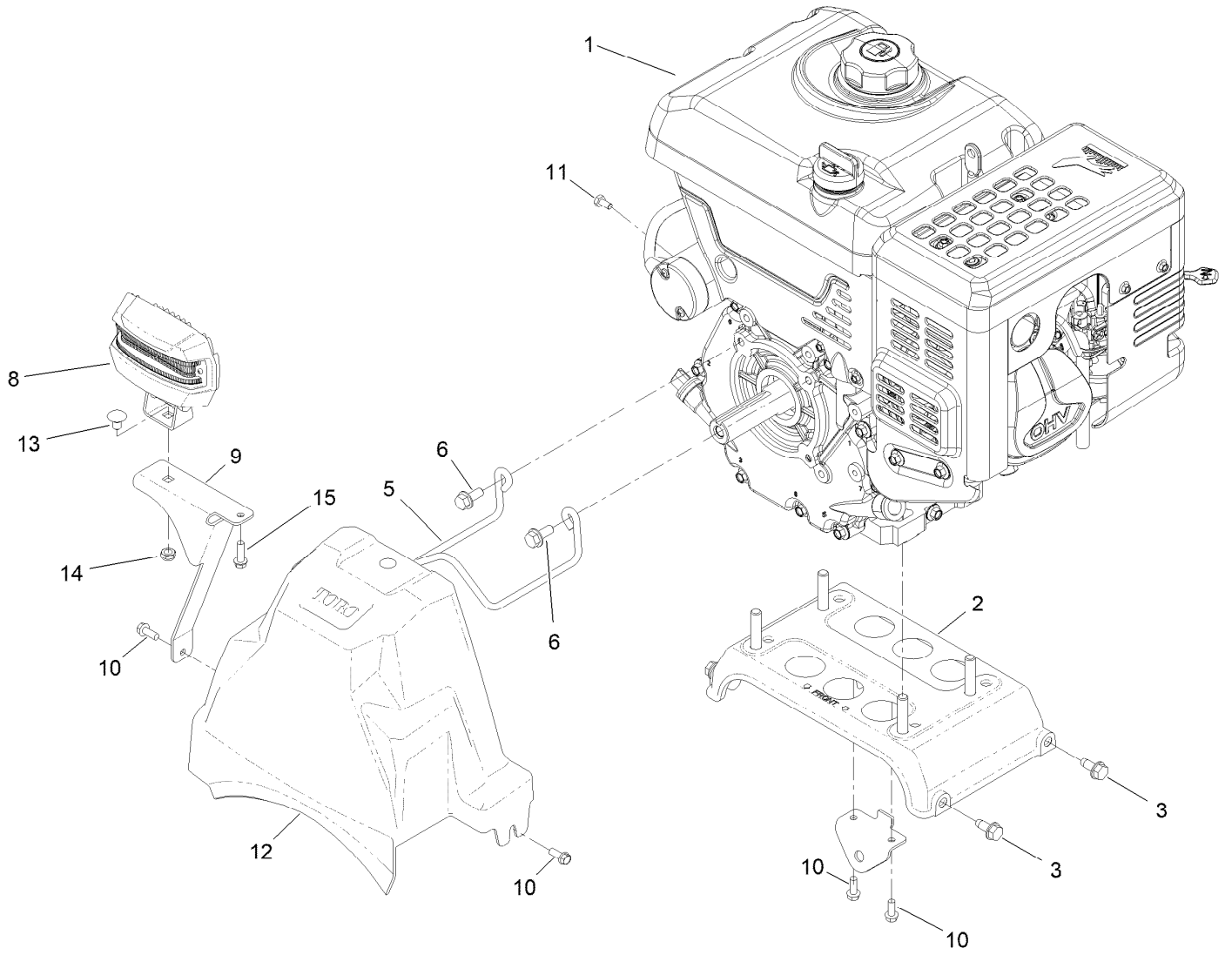
# Gear Case Assembly



## Gear Case Assembly (continued)

<i>Ref.</i>	<i>Part Number</i>	<i>Qty.</i>	<i>Description</i>	<i>Ref.</i>	<i>Part Number</i>	<i>Qty.</i>	<i>Description</i>
1	136-6620	1	Auger Gearcase ASM	9	137-3066	2	Screw-HH
1:20	138-3629	1	Plug-Oil	10	120-9738	2	Screw-HH
2	136-6570-03	1	Impeller	11	136-7148	2	Spacer-Grommet
5	136-6597-03	1	Auger-LH, 32 Inch	13	119-4038	2	Nut-Hex
6	136-6598-03	1	Auger-RH, 32 Inch	14	32144-70	4	Screw-HWHTF
7	106-4570	2	Bearing-Auger	15	137-3032	2	Screw-HH
8	3-0750	2	Washer	16	137-3088	2	Nut-Hex

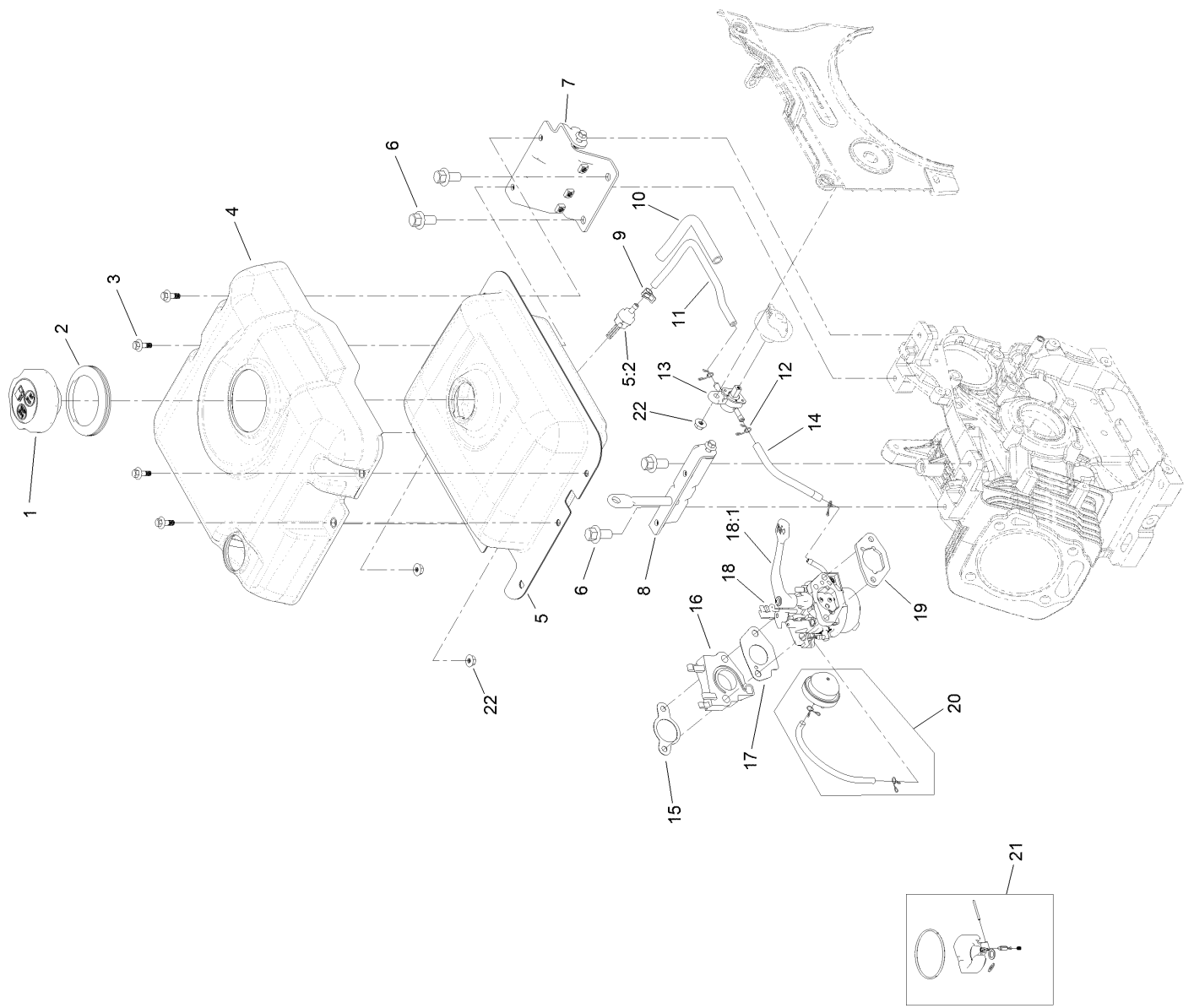
# Engine Assembly



## Engine Assembly (continued)

<i>Ref.</i>	<i>Part Number</i>	<i>Qty.</i>	<i>Description</i>	<i>Ref.</i>	<i>Part Number</i>	<i>Qty.</i>	<i>Description</i>
1	136-7796	1	Engine-190Fds	10	32144-85	2	Screw-HWH Thd Form
2	137-6165	1	Engine Plate ASM	11	121-4604	1	Screw-HH
3	32144-70	4	Screw-HWHTF	12	136-6606	1	Cover-Belt
5	136-6607	1	Belt Guide	13	3230-19	1	Bolt-CARR
6	138-0690	2	Screw-HH	14	137-3089	1	Nut-Hex
8	138-0670	1	LED Light ASM	15	137-3099	1	Screw-Plastite, HWH
9	138-0683-03	1	Bracket-Light				

# Fuel Systems and Carburetor Assembly



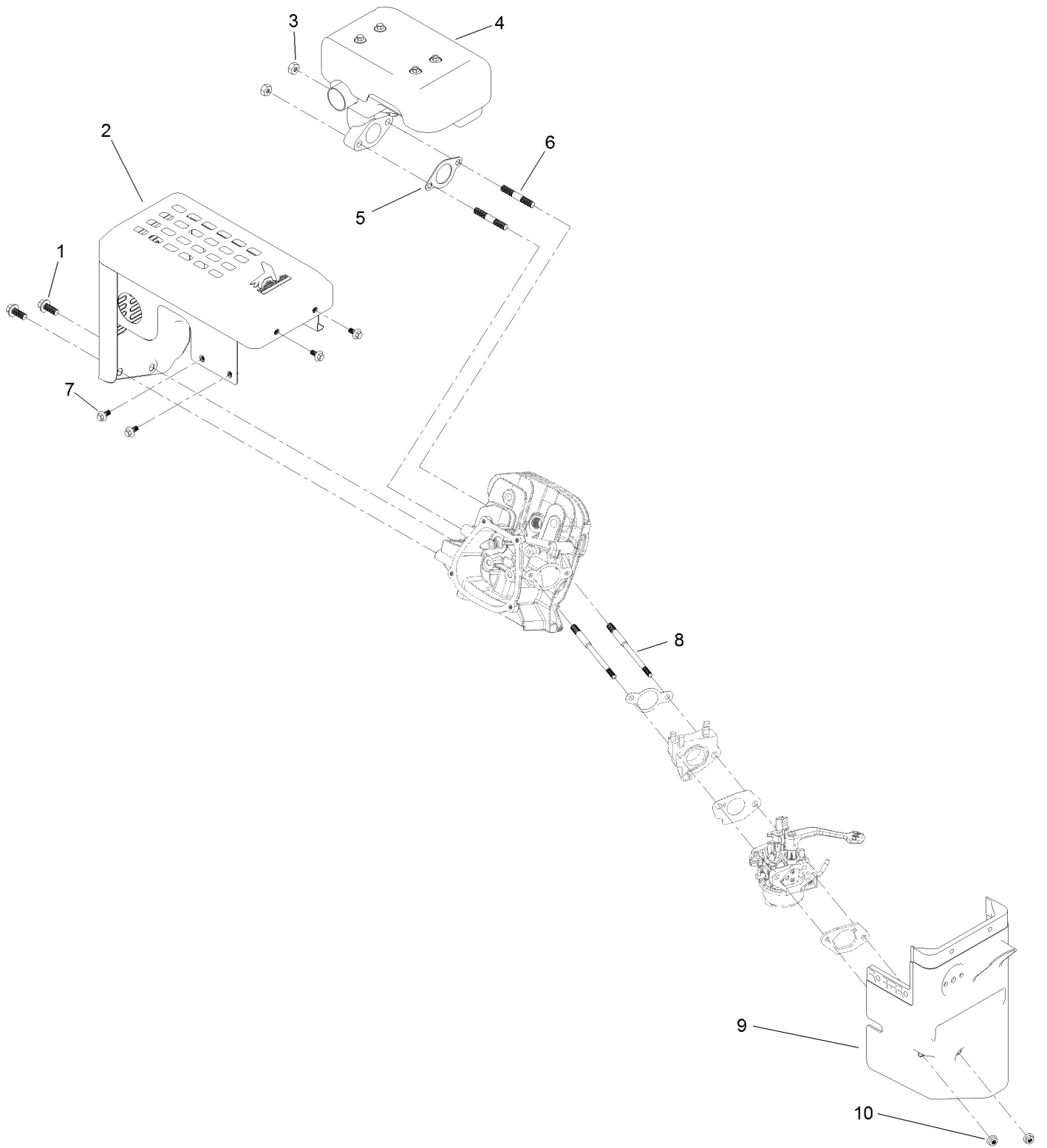


## Fuel Systems and Carburetor Assembly (continued)

<i>Ref.</i>	<i>Part Number</i>	<i>Qty.</i>	<i>Description</i>	<i>Ref.</i>	<i>Part Number</i>	<i>Qty.</i>	<i>Description</i>
1	133-9823	1	Cap-Fuel	13	121-0258	1	Valve-Fuel
2	121-0324	1	Insert-Cover, Tank	14	139-0583	1	Hose-Fuel
3	121-0296	4	Screw-HHF	15	139-0579	1	Gasket-Carburetor
4	139-0574	1	Cover-Tank, Fuel	16	139-0580	1	Insulator-Carburetor
5	139-0567	1	Fuel Tank And Filter ASM	17	139-0581	1	Gasket-Carburetor
5:2	127-9065	1	Filter-Fuel	18	139-0594	1	Carburetor ASM
6	139-0569	4	Screw-HHF	18:1	139-0638	1	Lever-Choke
7	139-0571	1	Bracket-Tank, Right	19	121-0254	1	Gasket-Coated, Rubber
8	139-0570	1	Bracket-Tank, Left	20	127-9372	1	Primer Kit
9	127-9120	1	Clamp-Hose	21	139-0625	1	Internal Carb Service Kit
10	139-0566	1	Sleeve-Abrasion	22	121-0010	3	Nut-Flange
11	127-9064	1	Hose-Fuel	99	139-0610	1	High Altitude Kit ●
12	121-0087	3	Clamp-Hose				

● Not illustrated

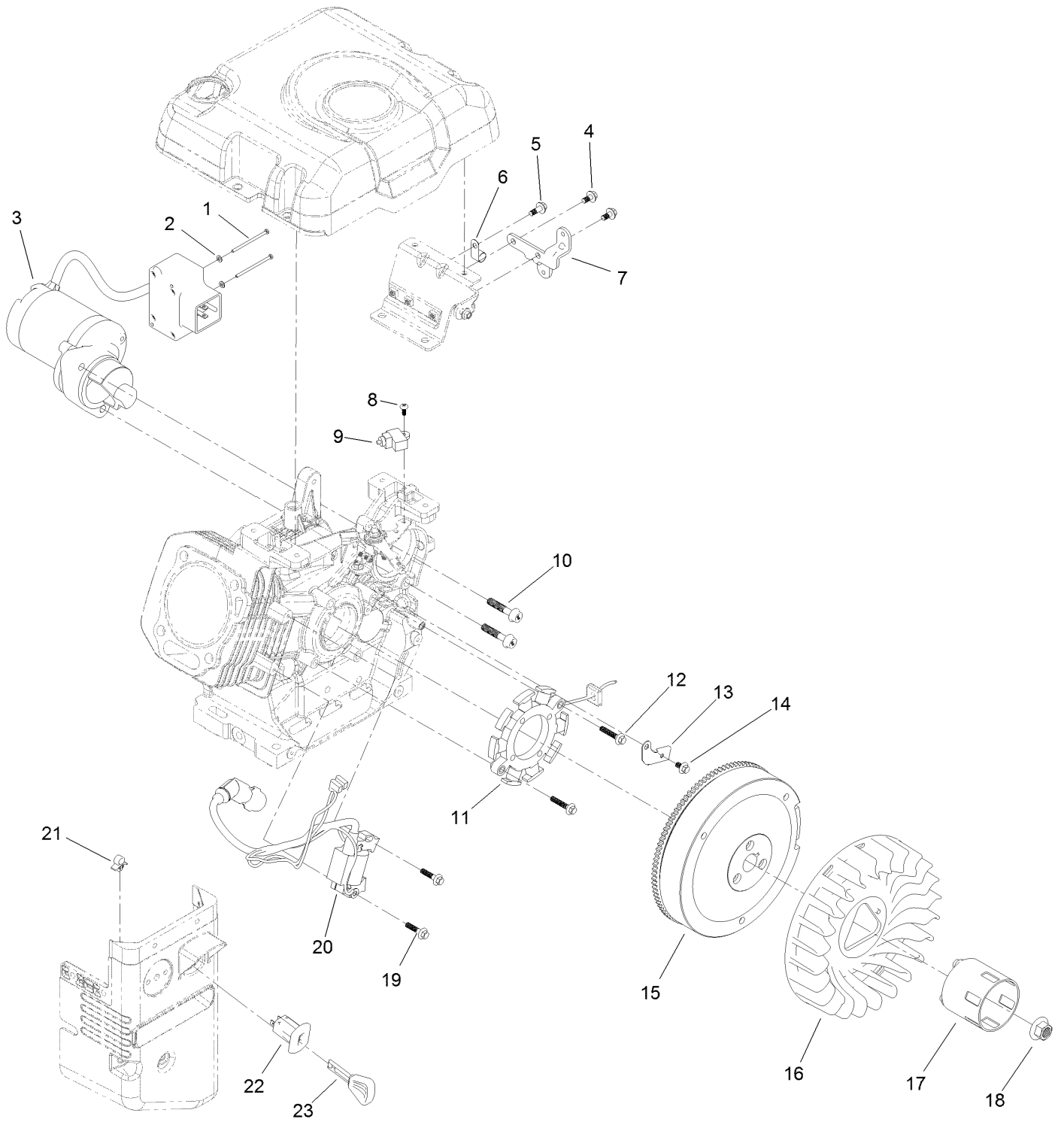
# Intake and Exhaust Assembly



## Intake and Exhaust Assembly (continued)

<i>Ref.</i>	<i>Part Number</i>	<i>Qty.</i>	<i>Description</i>	<i>Ref.</i>	<i>Part Number</i>	<i>Qty.</i>	<i>Description</i>
1	121-0297	2	Screw-HHF	6	121-0304	2	Stud-Mount, Muffler
2	139-0577	1	Shield-Muffler	7	121-0294	4	Screw-HHF
3	121-0199	2	Nut-HH	8	121-0303	2	Stud-Mount, Carburetor
4	139-0578	1	Muffler ASM	9	139-0585	1	Box-Heater
5	121-0272	1	Gasket-Exhaust	10	121-0308	2	Nut-Flange

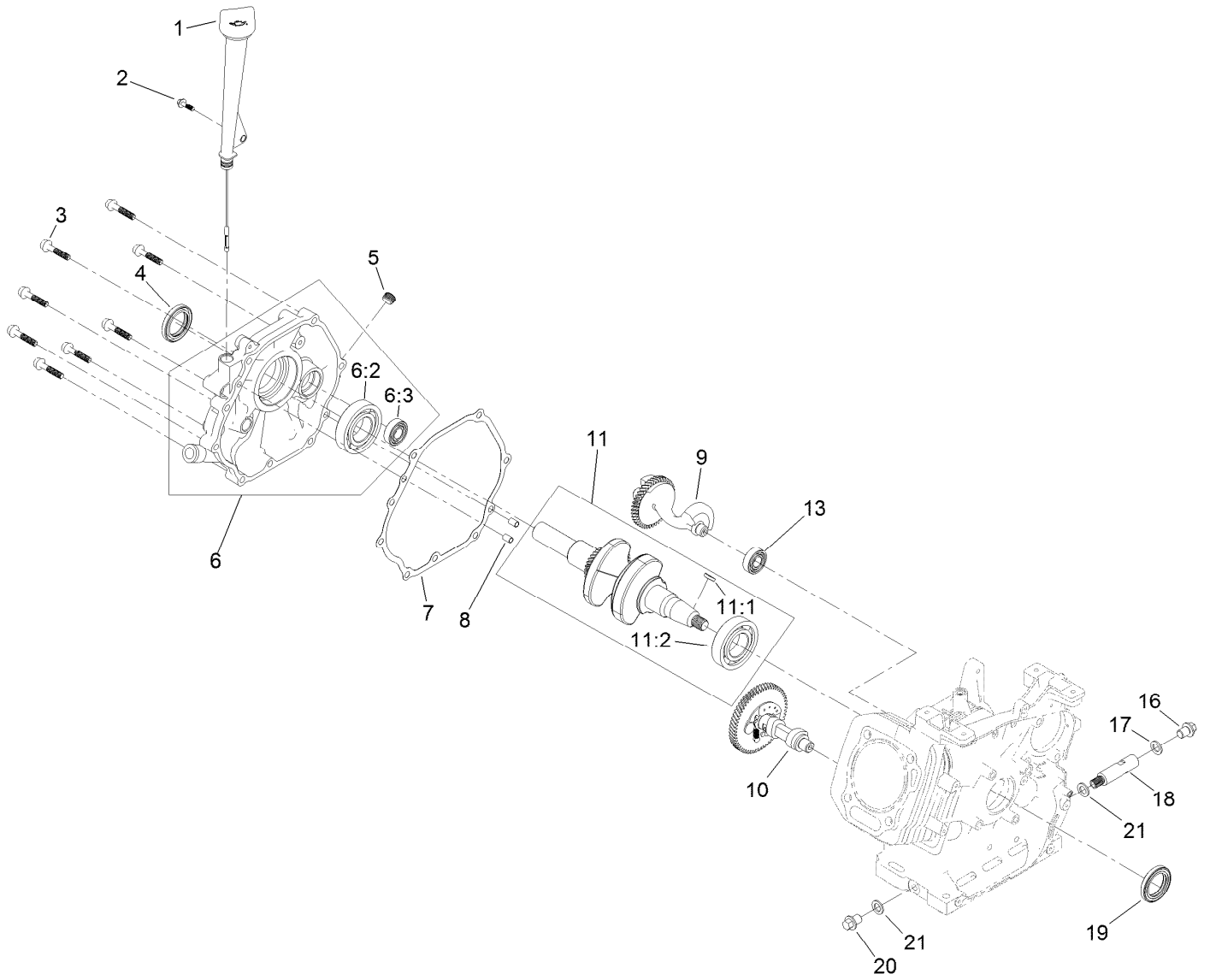
# Ignition and Electrical Assembly



## Ignition and Electrical Assembly (continued)

<i>Ref.</i>	<i>Part Number</i>	<i>Qty.</i>	<i>Description</i>	<i>Ref.</i>	<i>Part Number</i>	<i>Qty.</i>	<i>Description</i>
1	121-0306	2	Screw-Bhp	13	139-0555	1	Clamp-Wire, Charge
2	121-0312	2	Washer-Plain	14	121-0118	1	Screw-HHF
3	139-0573	1	Motor-Starter	15	139-0558	1	Flywheel ASM
4	121-0294	2	Screw-HHF	16	139-0559	1	Fan-Cooling
5	121-0296	1	Screw-HHF	17	139-0560	1	Cup-Starter
6	121-0017	1	Clip-Harness, Wire	18	121-0309	1	Nut-Flange
7	139-0572	1	Bracket-Box, Switch	19	121-0097	2	Screw-HHF
8	120-4461	1	Screw-PPH	20	139-0557	1	Ignition Coil ASM
9	139-0563	1	Switch-Stop, Engine	21	121-0326	1	Clip
10	121-0298	2	Screw-HHF	22	121-0283	1	Switch-Key
11	121-4108	1	Stator Coil ASM	23	117-7728	1	Key
12	120-4223	2	Screw-HHF				

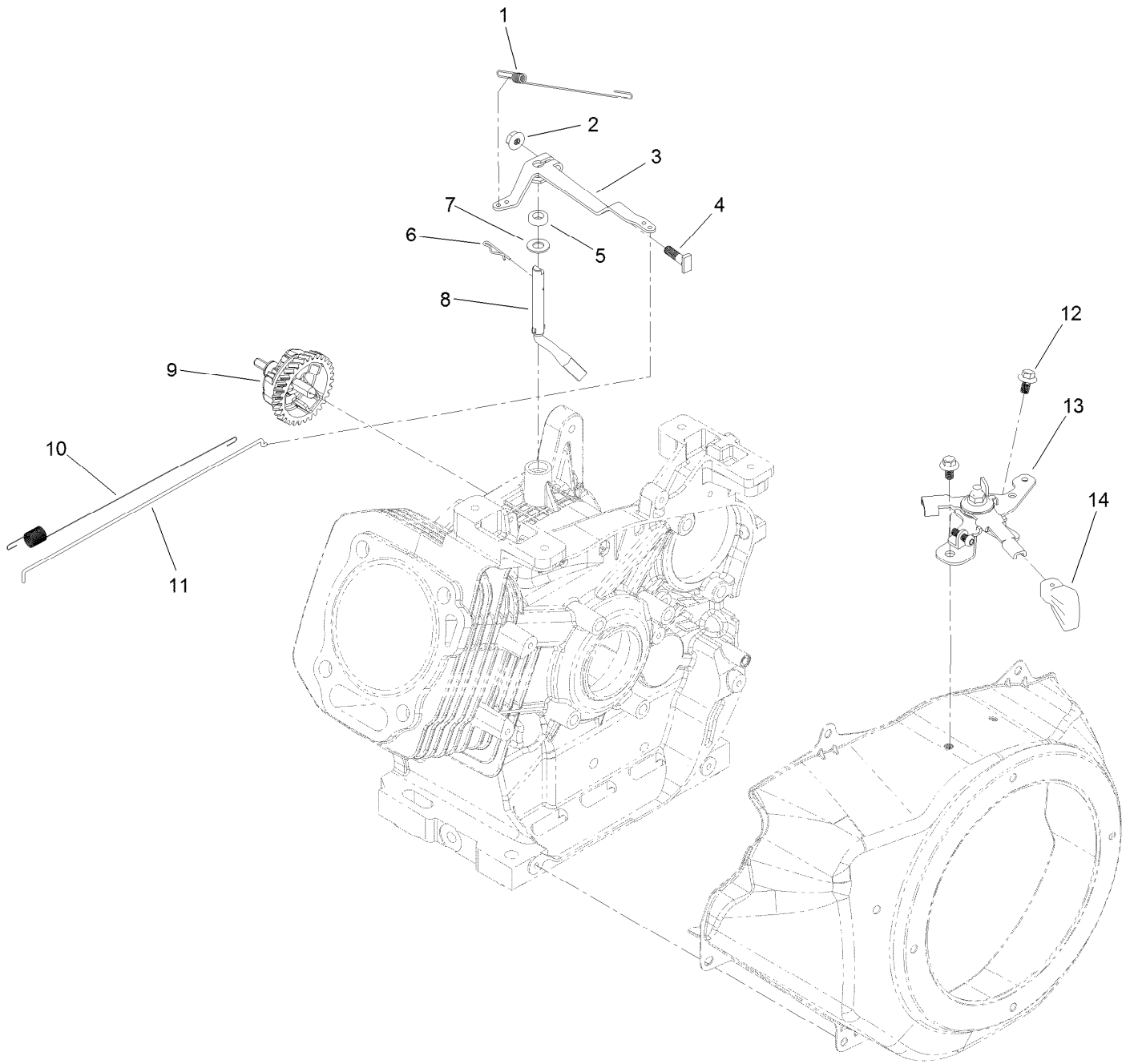
# Crankcase Assembly



## Crankcase Assembly (continued)

<i>Ref.</i>	<i>Part Number</i>	<i>Qty.</i>	<i>Description</i>	<i>Ref.</i>	<i>Part Number</i>	<i>Qty.</i>	<i>Description</i>
1	136-7941	1	Oil Fill ASM	10	136-7939	1	Camshaft ASM
2	127-9123	1	Screw-HHF	11	139-0586	1	Crankshaft ASM
3	121-0298	8	Screw-HHF	11:1	120-4320	1	Key-Woodruff
4	136-7942	1	Seal-Oil	11:2	120-4261	1	Bearing-Ball
5	133-9805	1	Plug-Drain	13	136-7949	1	Bearing-Ball
6	139-0611	1	Crankcase Cover ASM	16	121-0030	1	Screw-HHF
6:2	120-4261	1	Bearing-Ball	17	121-0048	1	Washer-Plain
6:3	136-7949	1	Bearing-Ball	18	121-0229	1	Tube-Drain, Oil
7	136-7945	1	Gasket-Cover, Case	19	139-0556	1	Seal-Oil
8	121-0314	2	Pin-Dowel	20	121-0222	1	Screw-HHF
9	139-0550	1	Shaft-Balance	21	121-0310	2	Washer-Plain

# Governor Assembly

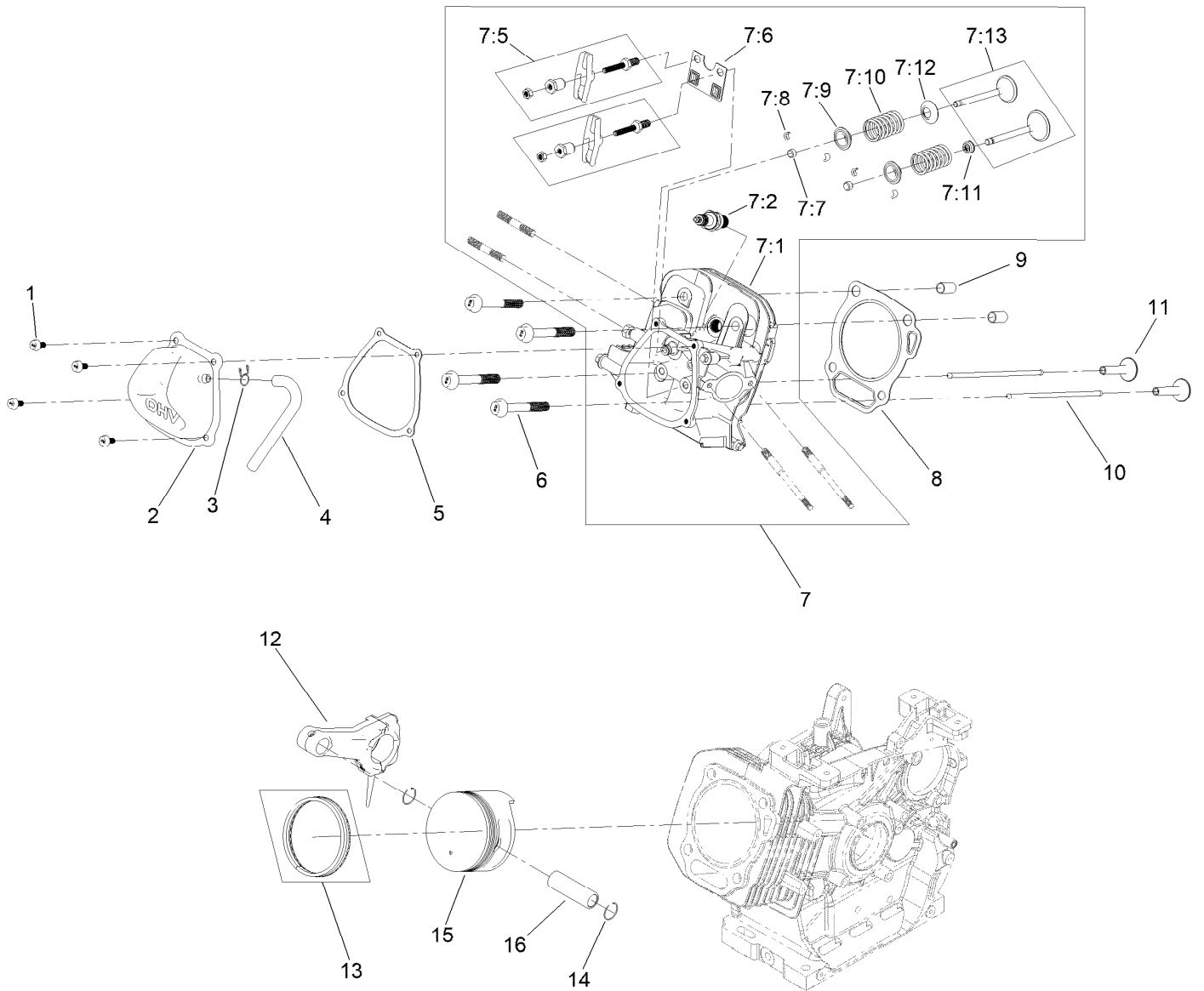




## Governor Assembly (continued)

<i>Ref.</i>	<i>Part Number</i>	<i>Qty.</i>	<i>Description</i>	<i>Ref.</i>	<i>Part Number</i>	<i>Qty.</i>	<i>Description</i>
1	139-0564	1	Spring-Governor	8	139-0553	1	Shaft-Governor
2	139-0552	1	Nut-Flange	9	136-7944	1	Governor Gear ASM
3	139-0551	1	Arm-Governor	10	121-0261	1	Spring-Return, Throttle
4	120-4238	1	Bolt-Arm, Governor	11	139-0584	1	Rod-Governor
5	120-4257	1	Seal-Oil	12	121-0118	2	Screw-HHF
6	120-4256	1	Pin-Hair	13	139-0562	1	Throttle Control ASM
7	121-0311	1	Washer-Plain	14	121-0269	1	Knob-Control, Throttle

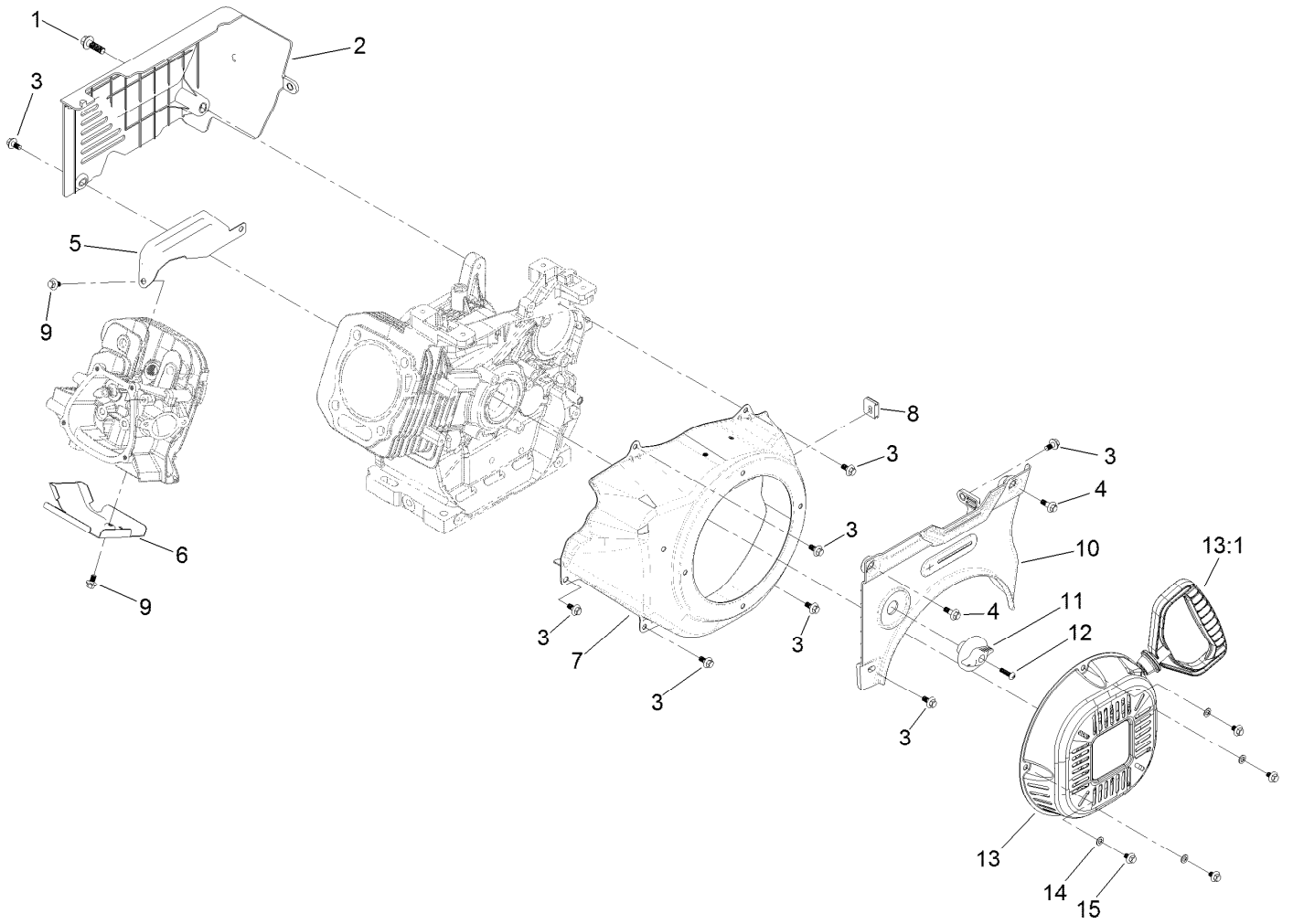
# Piston and Head Assembly



## Piston and Head Assembly (continued)

<i>Ref.</i>	<i>Part Number</i>	<i>Qty.</i>	<i>Description</i>	<i>Ref.</i>	<i>Part Number</i>	<i>Qty.</i>	<i>Description</i>
1	121-0044	4	Screw-HHF	7:10	120-4305	2	Spring-Valve
2	121-0233	1	Valve Cover ASM	7:11	120-4304	1	Seal-Stem, Valve
3	127-9408	1	Clamp-Hose	7:12	120-4303	1	Seat-Spring, Valve
4	139-0629	1	Tube-Breather	7:13	136-7940	1	Valve Set
5	121-0234	1	Gasket-Cover, Valve	8	139-0590	1	Gasket-Head, Cylinder
6	121-0302	4	Screw-HHF	9	120-4200	2	Pin-Dowel
7	139-0595	1	Complete Head ASM	10	136-7938	2	Rod-Push
7:1	136-7932	1	Head-Cylinder	11	120-4298	2	Lifter-Valve
7:2	81-3250	1	Spark Plug	12	136-7946	1	Connecting Rod ASM
7:5	121-0245	2	Rocker Arm ASM	13	139-0592	1	Ring Set
7:6	121-0247	1	Plate-Guide, Push Rod	14	120-4288	2	Ring-Retaining, Piston Pin
7:7	121-0244	2	Rotator-Valve	15	139-0591	1	Piston
7:8	120-4307	4	Keeper-Valve	16	120-4291	1	Pin-Piston
7:9	120-4306	2	Retainer-Spring, Valve				

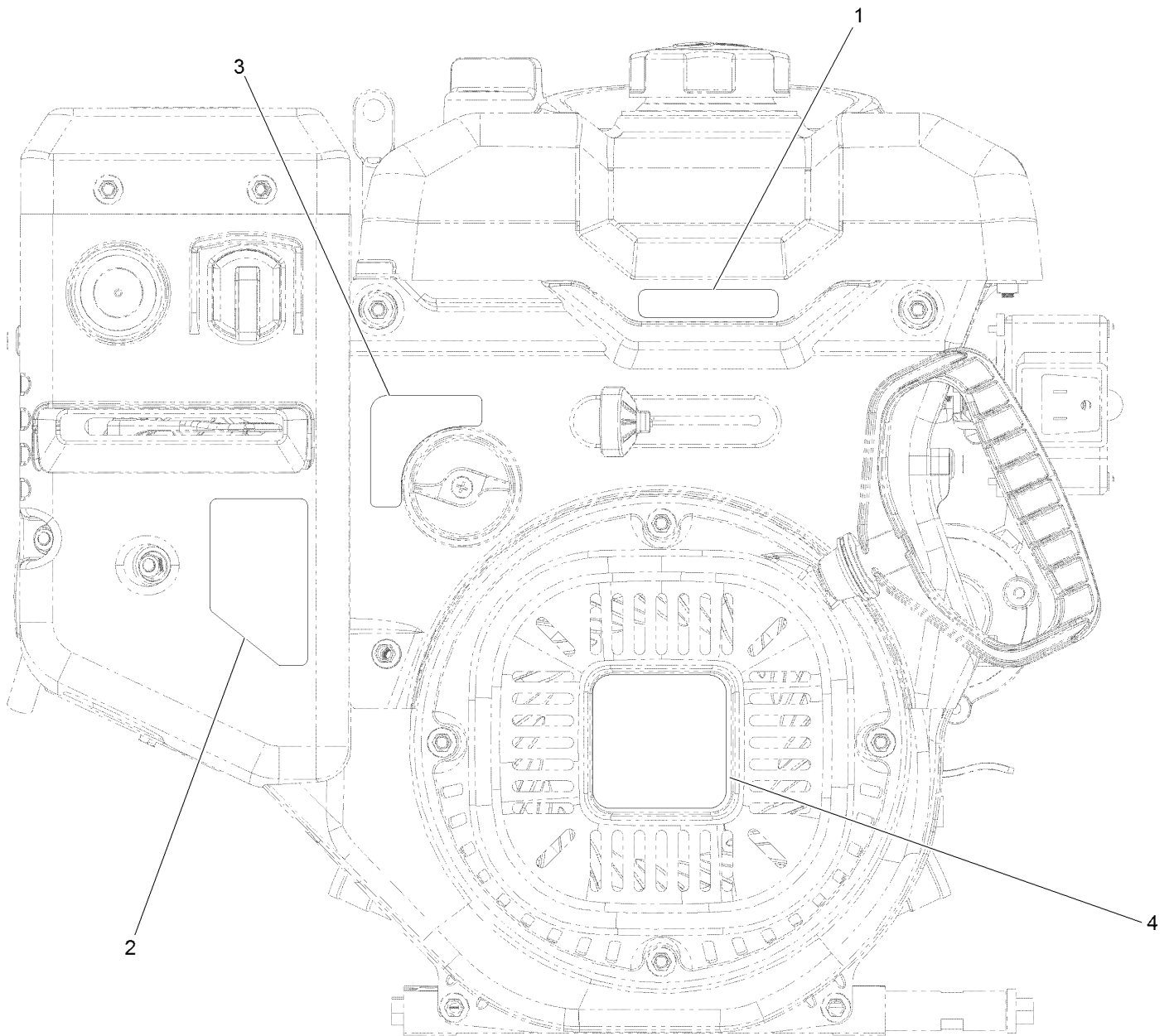
# Blower Housing and Shrouds Assembly



## Blower Housing and Shrouds Assembly (continued)

<i>Ref.</i>	<i>Part Number</i>	<i>Qty.</i>	<i>Description</i>	<i>Ref.</i>	<i>Part Number</i>	<i>Qty.</i>	<i>Description</i>
1	139-0575	1	Screw-HHF	9	121-0118	2	Screw-HHF
2	139-0576	1	Panel-Rear	10	139-0565	1	Panel-Control, Front
3	121-0294	8	Screw-HHF	11	121-0268	1	Knob-Valve, Fuel
4	121-0296	2	Screw-HHF	12	121-0305	1	Screw-Bhp
5	136-7937	1	Shroud-Head, Upper	13	139-0561	1	Recoil ASM
6	136-7933	1	Shroud-Head, Lower	13:1	121-0287	1	Handle-Recoil
7	121-0307	1	Shroud-Recoil	14	127-9380	4	Washer-Plain
8	121-0325	1	Grommet-Rubber	15	127-9031	4	Screw-HHF

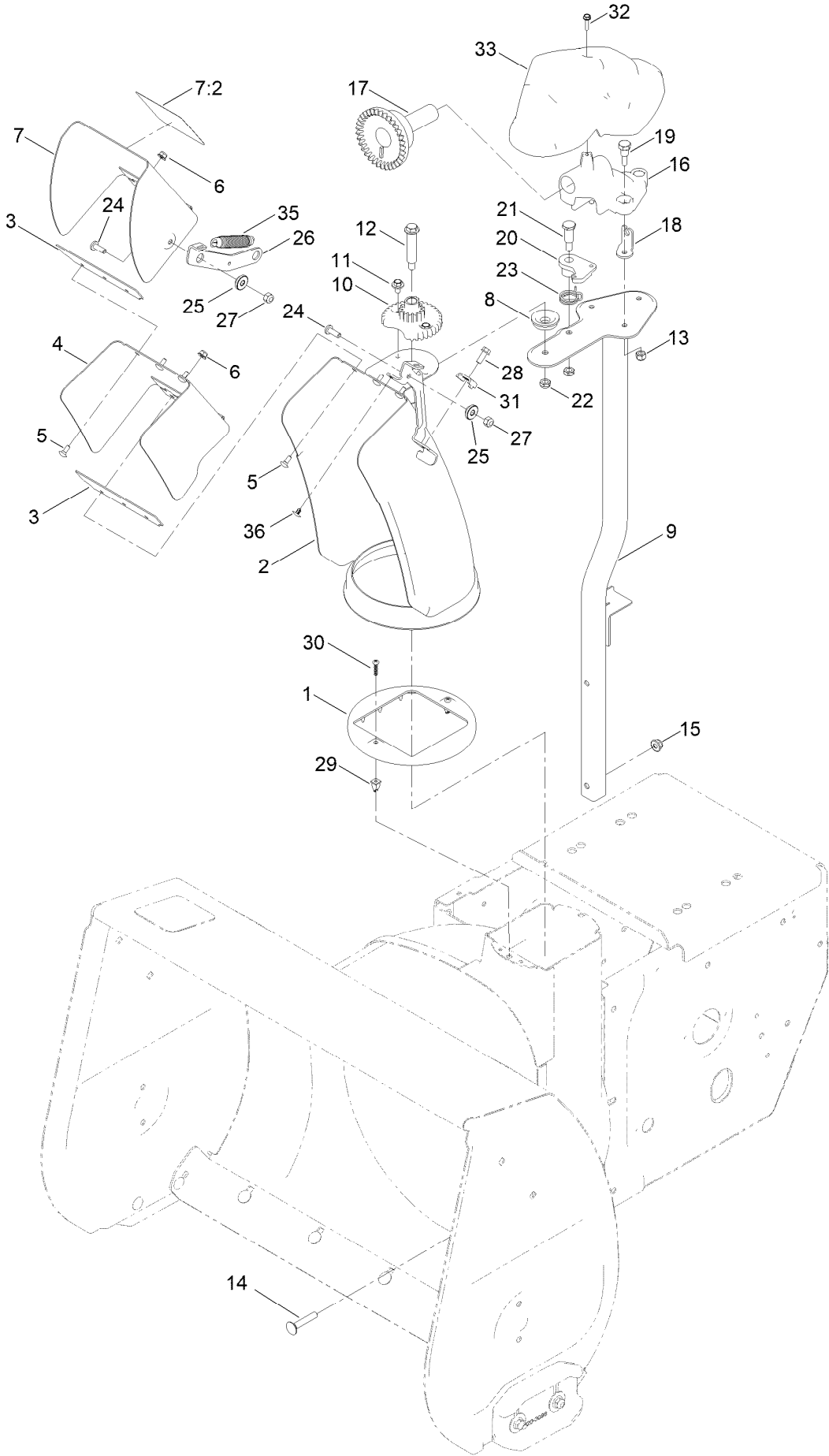
# Engine Decal Assembly



## Engine Decal Assembly (continued)

<i>Ref.</i>	<i>Part Number</i>	<i>Qty.</i>	<i>Description</i>	<i>Ref.</i>	<i>Part Number</i>	<i>Qty.</i>	<i>Description</i>
1	131-6487	1	Decal-Throttle	3	136-7825	1	Decal-Valve, Fuel
2	120-9805	1	Decal-Control, Engine	4	138-3622	1	Decal-Recoil

# Chute Assembly

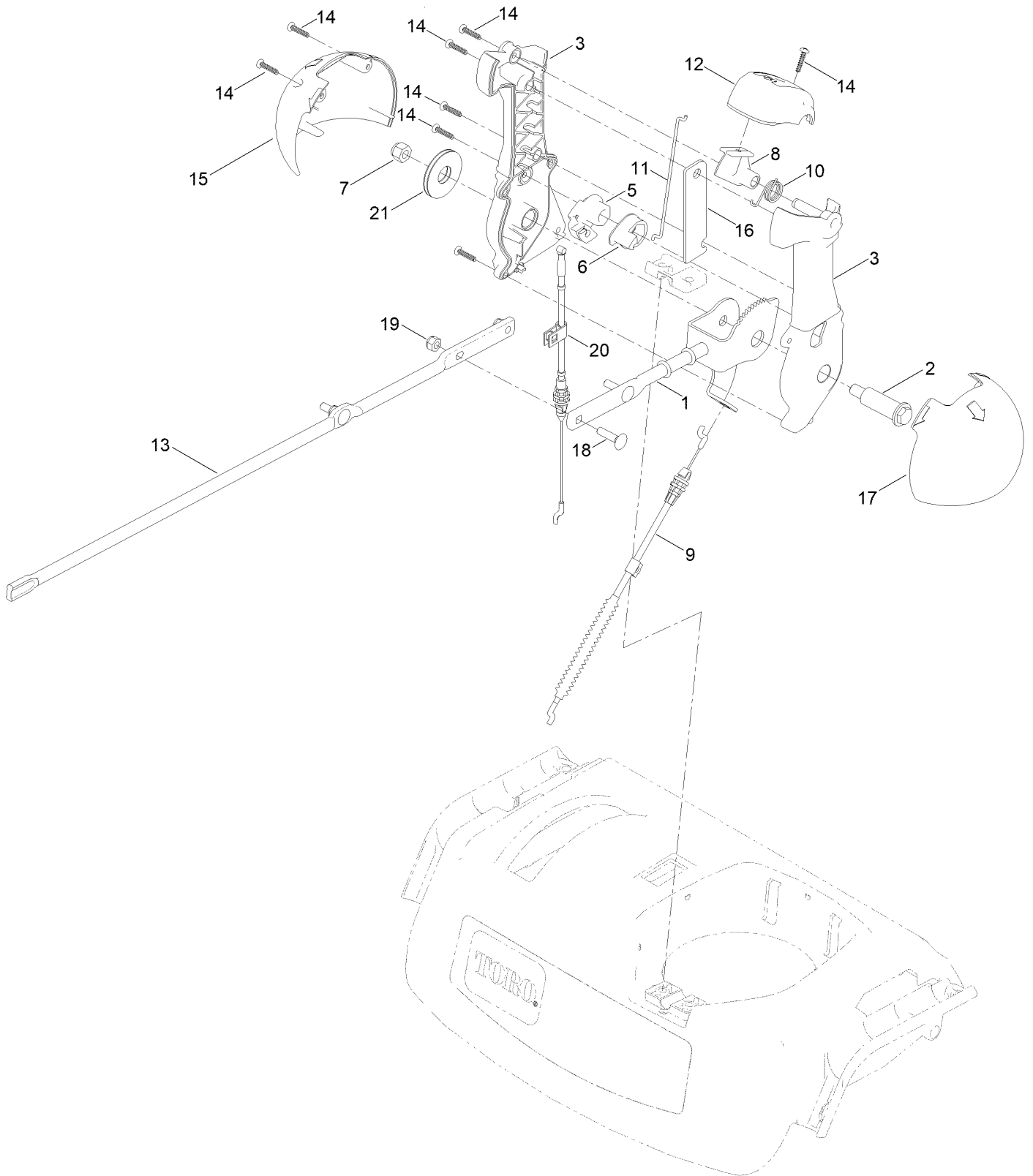




## Chute Assembly (continued)

<i>Ref.</i>	<i>Part Number</i>	<i>Qty.</i>	<i>Description</i>	<i>Ref.</i>	<i>Part Number</i>	<i>Qty.</i>	<i>Description</i>
1	136-6515	1	Guide-Chute	18	136-6676	1	Anchor-Cable
2	136-6580-01	1	Lower Chute ASM	19	136-7197	3	Screw-Shoulder
3	138-3671	2	Gasket-Deflector	20	136-6525	1	Latch-Chute
4	136-6582-01	1	Middle Deflector ASM	21	137-3103	1	Screw-Shoulder, HH
5	135-1929	6	Bolt-CARR	22	137-3089	2	Nut-Hex
6	138-0719	6	Nut-HF	23	108-7315	1	Spring-Torsion
7	139-1564	1	Deflector ASM	24	138-0689	2	Screw-PH
7:2	121-6847	1	Decal-Danger	25	138-0687	2	Bushing-Pivot
8	106-4422	1	Spacer-Chute	26	136-6522	1	Link-Deflector
9	137-6245-03	1	Chute Post ASM	27	137-3094	2	Nut-Hex
10	106-4472	1	Gear-Chute	28	32144-85	1	Screw-HWH Thd Form
11	46-6810	2	Screw And Washer ASM	29	136-6586	2	Grommet-Screw
12	136-7199	1	Bolt-Shoulder	30	94-4496	2	Screw-PPH
13	137-3088	3	Nut-Hex	31	136-7191	1	Clamp-Cable
14	137-3063	2	Bolt-Car	32	137-3110	1	Screw-Plastite, HWH
15	119-4041	2	Nut-HF	33	136-6672	1	Cover-Gear, Face
16	136-6517	1	Mount-Gear, Face	35	132-6915	1	Spring-Extension
17	106-4471	1	Gear-Face	36	138-3651	1	Plug-Plastic

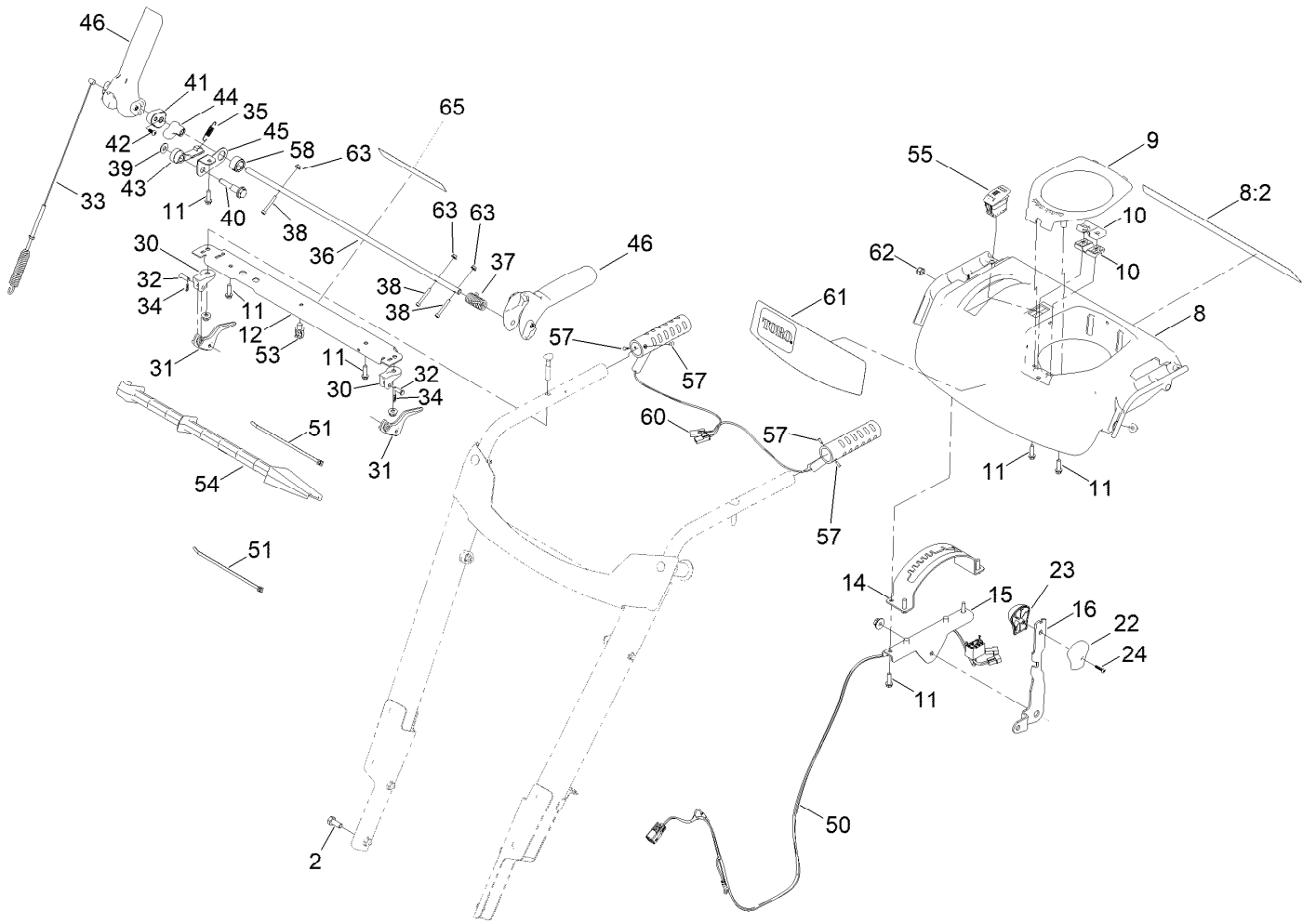
# Chute Control Assembly



## Chute Control Assembly (continued)

<i>Ref.</i>	<i>Part Number</i>	<i>Qty.</i>	<i>Description</i>	<i>Ref.</i>	<i>Part Number</i>	<i>Qty.</i>	<i>Description</i>
1	138-0662	1	Rod-Control, Chute	12	137-6239	1	Cap-Lever
2	138-0659	1	Screw-Shoulder, HWH	13	136-6578	1	Rod-Chute, Rotation
3	139-1552	1	Chute Control Lever ASM	14	94-4496	8	Screw-PPH
5	105-9988	1	Lever-Cable, Deflector	15	136-6677	1	Globe-Quickstick, RH
6	106-7310	1	Pawl-Latch	16	136-6632-03	1	Plate-Stiffner
7	137-3087	1	Nut-Hex	17	136-6678	1	Globe-Quickstick, LH
8	137-6238	1	Trigger-Latch	18	137-3056	3	Bolt-CARR
9	138-0730	1	Cable-Control, Deflector	19	137-3094	3	Nut-Hex
10	105-9982	1	Spring-Torsion	20	139-9903	1	Cable-Release, Chute
11	138-0688	1	Link-Latch	21	138-0744	1	Washer-Friction, Composite

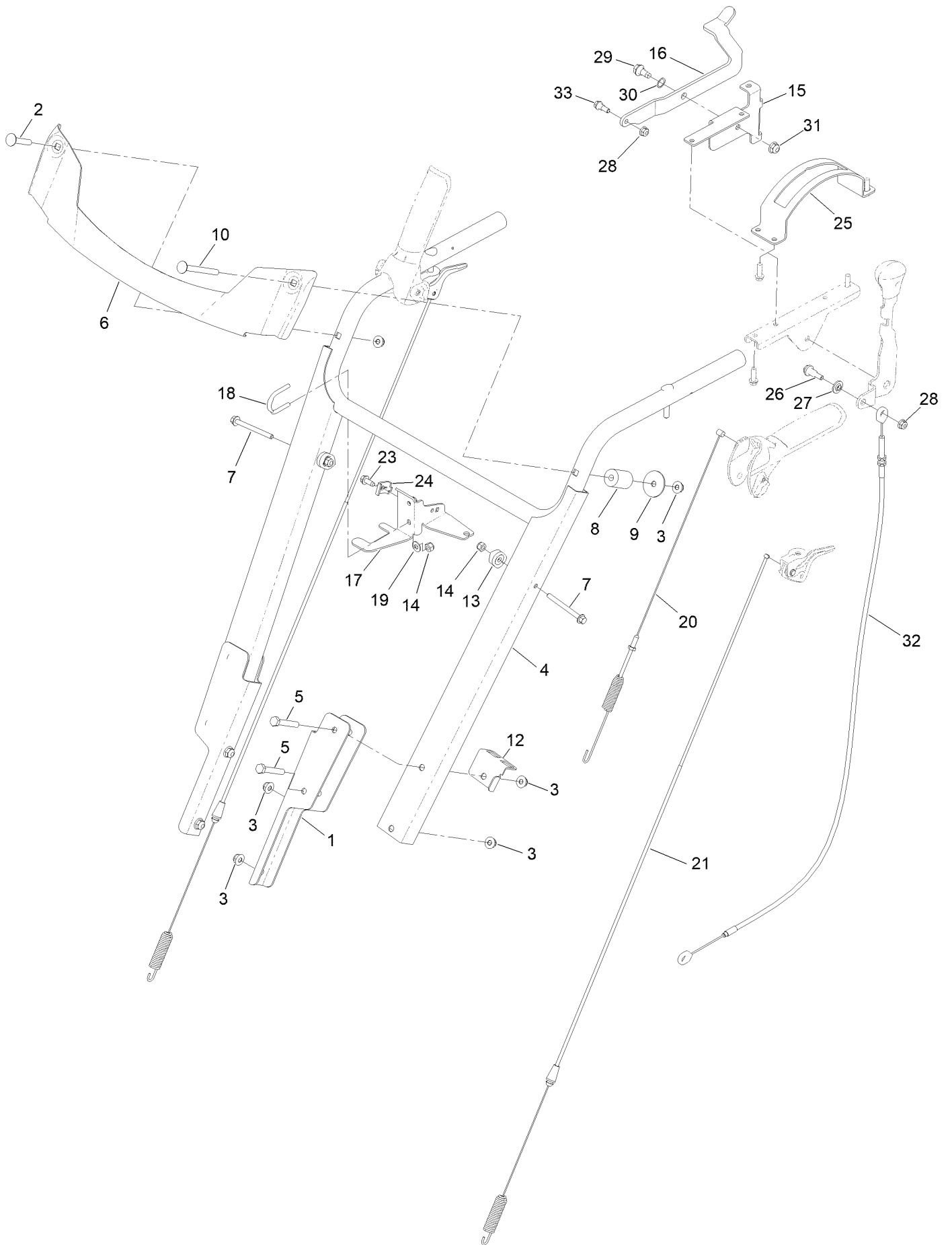
# Traction Control Assembly



## Traction Control Assembly (continued)

<i>Ref.</i>	<i>Part Number</i>	<i>Qty.</i>	<i>Description</i>	<i>Ref.</i>	<i>Part Number</i>	<i>Qty.</i>	<i>Description</i>
2	137-3052	4	Screw-HH	39	98-3499	1	Washer-Flat
8	144-1601	1	Panel-Control, Assembly	40	138-0681	1	Screw-Shoulder
8:2	138-0650	1	Decal-Safety	41	137-6227	1	Lock-Handle
9	137-6178	1	Cover-Quickstick	42	137-9137	1	Screw-PPH
10	105-9987	2	Support-Rod	43	137-6229	1	Latch-Lockout
11	137-3099	9	Screw-Plastite, HWH	44	138-8466	1	Cam-Lockout
12	137-6197-01	1	Brace-Console	45	138-3652	1	Link-Lockout
14	137-6187-03	1	Gate-Shift	46	137-6171	2	Lever-Control
15	137-6188-03	1	Bracket-Shift	50	138-3644	1	Harness-Wire, LED And Hand Warmers
16	137-6231-03	1	Selector-Speed	51	614249	2	Tie-Cable
22	105-9999	1	Knob-Shift, LH	53	32180-030	1	Clip-Tie
23	106-4423	1	Knob-Shift, RH	54	110-3408	1	Stick-Cleanout
24	94-4496	1	Screw-PPH	55	122-1124	1	Switch-Rocker, On-None-Off (Heater)
30	105-9980	2	Mount-Lever, Clutch	57	3290-271	4	Rivet-Pop
31	106-4505	2	Lever-Clutch	58	138-8467	1	Collar-Cam
32	1-808265	2	Pin-Clevis	60	127-5951	2	Grip-Heated
33	138-3661	1	Cable-Auger	61	144-0325	1	Decal-Console
34	108-2992	2	Pin-Hair	62	137-3093	1	Nut-Hex
35	136-7161	1	Spring-Lockout, Handle	63	140-3749	3	Nut-Lock Rohs
36	137-6182	1	Rod-Lockout	65	144-1619	1	Decal-Hydro, Trx
37	138-0678	1	Spring-Torsion, Handle Return				
38	139-3694	3	Screw-HSH,Spl				

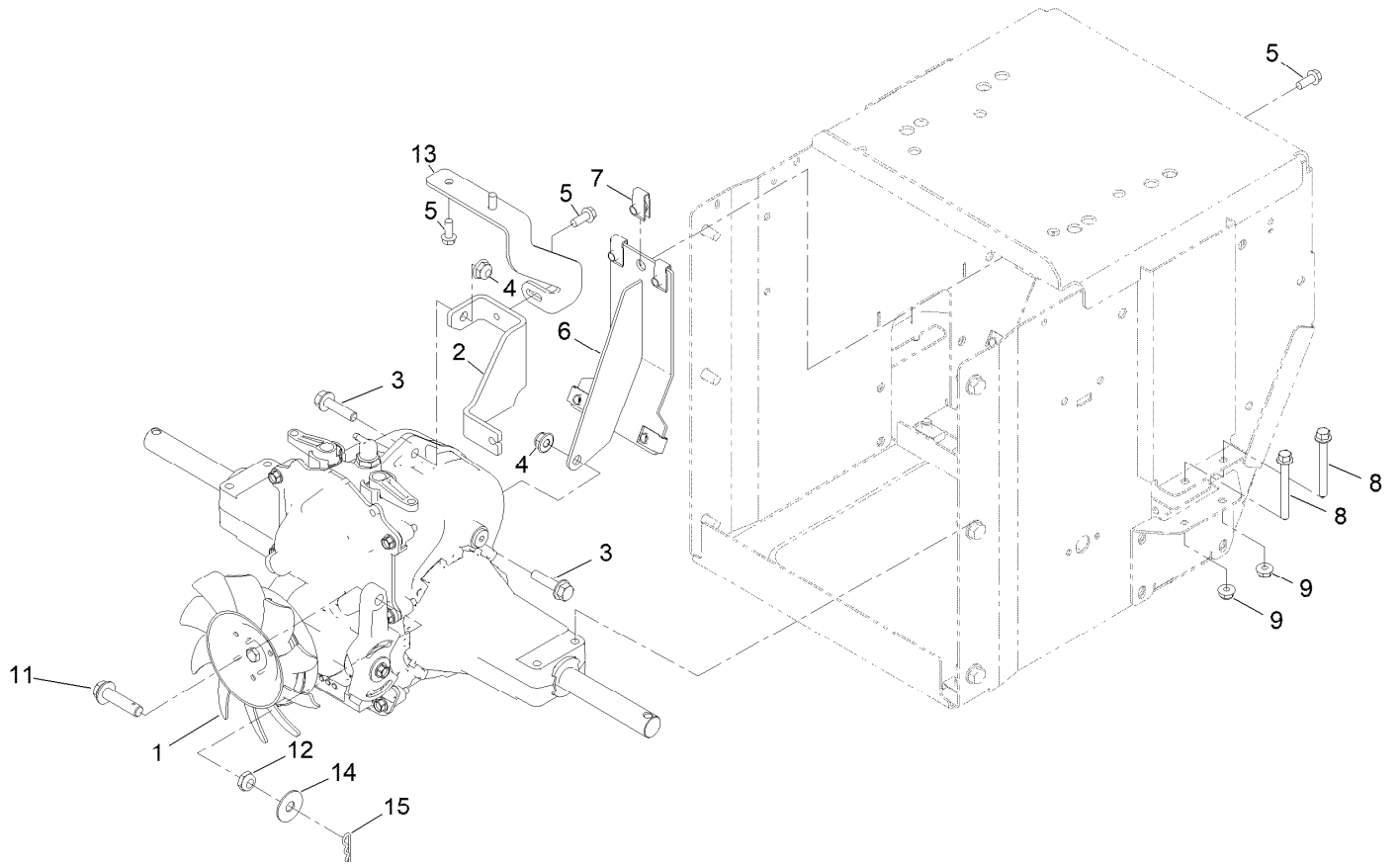
# Handle Assembly



## Handle Assembly (continued)

<i>Ref.</i>	<i>Part Number</i>	<i>Qty.</i>	<i>Description</i>	<i>Ref.</i>	<i>Part Number</i>	<i>Qty.</i>	<i>Description</i>
1	137-6221-03	2	Bracket-Handle, Lower	18	136-7120	1	Clamp-Light
2	138-8402	1	Bolt-CARR	19	139-1699	2	Washer-Flat
3	138-8401	12	Nut-HF	20	140-7927	1	Cable - Traction Upper
4	137-6224-03	1	HD Handle ASM	21	140-7926	2	Cable-Clutch
5	120-9686	4	Screw-HH	23	137-3043	1	Screw-HWH
6	137-6233-01	1	Trim-Metal, HD	24	136-7191	1	Clamp-Cable
7	138-3653	2	Screw-HHF	25	140-7925-03	1	Gate-Shift, Speed
8	108-2301	1	Spacer	26	104-0858	1	Bolt-Shoulder
9	115-1151	1	Washer-Flat	27	99-6808	1	Washer-Stepped
10	138-0741	1	Screw-CARR	28	119-4040	2	Nut-HF, NI
12	138-0724-03	1	Bracket-Stick, Cleanout	29	126-4424	1	Screw-Shoulder
13	106-4509	2	Clamp-Cable	30	142-2432	1	Washer, Wave
14	137-3094	2	Nut-Hex	31	119-4041	1	Nut-HF
15	140-7917-03	1	Bracket-Lever	32	140-7863	1	Cable-Hydro, Push Pull
16	140-7932-03	1	Lever-Adjustment, Track	33	42-3560	1	Bolt-Shoulder
17	140-7931-03	1	Bracket-Cable, Speed				

# Hydrostatic Drive Assembly

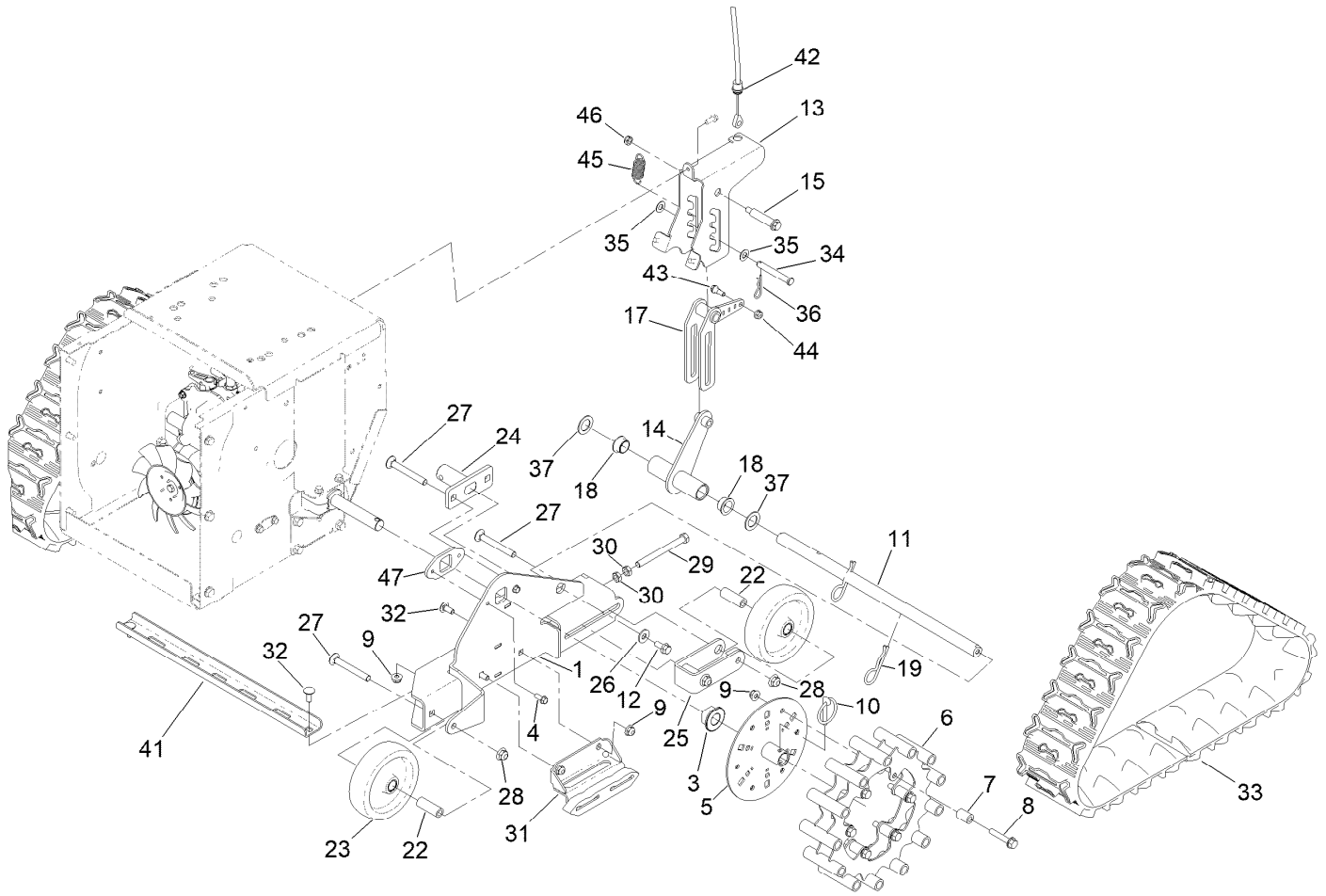




## Hydrostatic Drive Assembly (continued)

<i>Ref.</i>	<i>Part Number</i>	<i>Qty.</i>	<i>Description</i>	<i>Ref.</i>	<i>Part Number</i>	<i>Qty.</i>	<i>Description</i>
1	140-7930	1	Hydro - Sst	8	138-3326	4	Screw-HHF
2	140-7936-03	1	Bracket-Hydro, Cable	9	137-3005	4	Nut-HF
3	119-4036	2	Screw-HHF	11	144-1226	1	Screw-HHF Spcl
4	119-4041	2	Nut-HF	12	3296-59	1	Nut-Lock, NI
5	32144-85	8	Screw-HWH Thd Form	13	140-7937-03	1	Bracket-Hydro, Upper
6	140-7899-03	1	Bracket-Hydro, Rear	14	119-4150	1	Washer-Flat
7	107069	5	Clip	15	3290-307	1	Pin-Cotter

# Track Drive Assembly



## Track Drive Assembly (continued)

<i>Ref.</i>	<i>Part Number</i>	<i>Qty.</i>	<i>Description</i>	<i>Ref.</i>	<i>Part Number</i>	<i>Qty.</i>	<i>Description</i>
1	140-7865-03	1	Support-Track, ASM LH	25	140-7879-03	2	Yoke-Bogey
2	140-7870-03	1	Support-Track, ASM RH ●	26	139-1723	2	Washer-Flat
3	120-7162	2	Bushing-Axle	27	109-6868	6	Bolt-Carriage
4	32144-85	4	Screw-HWH Thd Form	28	119-4042	6	Nut-HF, NI
5	140-7886-03	2	Hub-Drive, Weld ASM	29	140-7923	2	Screw-HH
6	140-7889-01	2	Wheel-Drive, Weld ASM	30	115-1166	2	Washer-Plain
7	140-7864	12	Tube-Support	31	140-7878	2	Skid-Track, ASM
8	135-5779	12	Screw-HHF	32	137-3061	6	Bolt-CARR
9	119-4041	18	Nut-HF	33	140-7862	2	Track-Snow
10	107-3039	2	Pin-Lynch	34	283-52	1	Pin-Clevis
11	140-7914-03	1	Bar-Pivot	35	131-8667	2	Washer-Thrust
12	139-2598	2	Screw-HHF	36	3290-467	1	Pin-Hair
13	140-7905-03	1	Bracket-Height, Adjuster	37	3-8664	2	Washer-Thrust
14	140-7910-03	1	Pivot-Link, Weld ASM	41	140-7929-01	1	Brace-Front
15	136-7199	1	Bolt-Shoulder	42	140-7928	1	Cable-Adjust, Height
17	140-7909-03	1	Latch ASM, Welded	43	42-3560	1	Bolt-Shoulder
18	109-8054	2	Bushing-Flange	44	119-4040	1	Nut-HF, NI
19	3290-343	2	Pin-Hair	45	107-1045	1	Spring-Extension
22	140-7876	6	Bushing-Tensioner	46	137-3089	1	Nut-Hex
23	140-7921	4	Wheel-Bogey	47	140-7943-03	2	Support-Bushing, Axle
24	140-7890-03	2	Tensioner, Welded				

● Not illustrated

# Attachments and Accessories

## For 38891 Power TRX Commercial 1432 OHXE Snowthrower

<b>Product Name</b>	<b>Model/Part</b>
Heated Grip Kit .....	131-6460
Kit-Cab.....	139-1640
Toro Snow Oil 0W30 Synthetic 20-Ounce Bottle .....	38913
Power Max HD Covers (2019) .....	490-7415

**Notes:**

**Notes:**

**Notes:**



**Count on it.**