



Count on it.

Parts Catalog

21in Super Recycler®

Lawn Mower

Model No. 21564—Serial No. 411860000 and Up



Ordering Replacement Parts

To order replacement parts, please supply the part number, the quantity, and the description of each part desired.

Understanding Reference Numbers

Each identified part in an illustration has a reference number. The reference number for a part also appears in the parts list, along with other information about the part.

This catalog uses two special reference number formats, one to indicate parts in a service assembly and another to indicate the quantity of a given part in an illustration.

Service Assembly Reference Numbers

Parts in service assemblies have reference numbers in the form a:b. The a represents the reference number of the entire service assembly and the b represents a sequential number unique to each part within the service assembly.

For example, a wheel assembly might be identified by reference number 6, the tire by 6:1, the valve by 6:2, and the wheel by 6:3. When you order the assembly identified by reference number 6, you receive all parts identified by reference numbers 6:1, 6:2, and 6:3. However, you may also order any part individually. Reference numbers of this type appear in illustration and in parts lists.

Reference Numbers Indicating Quantity

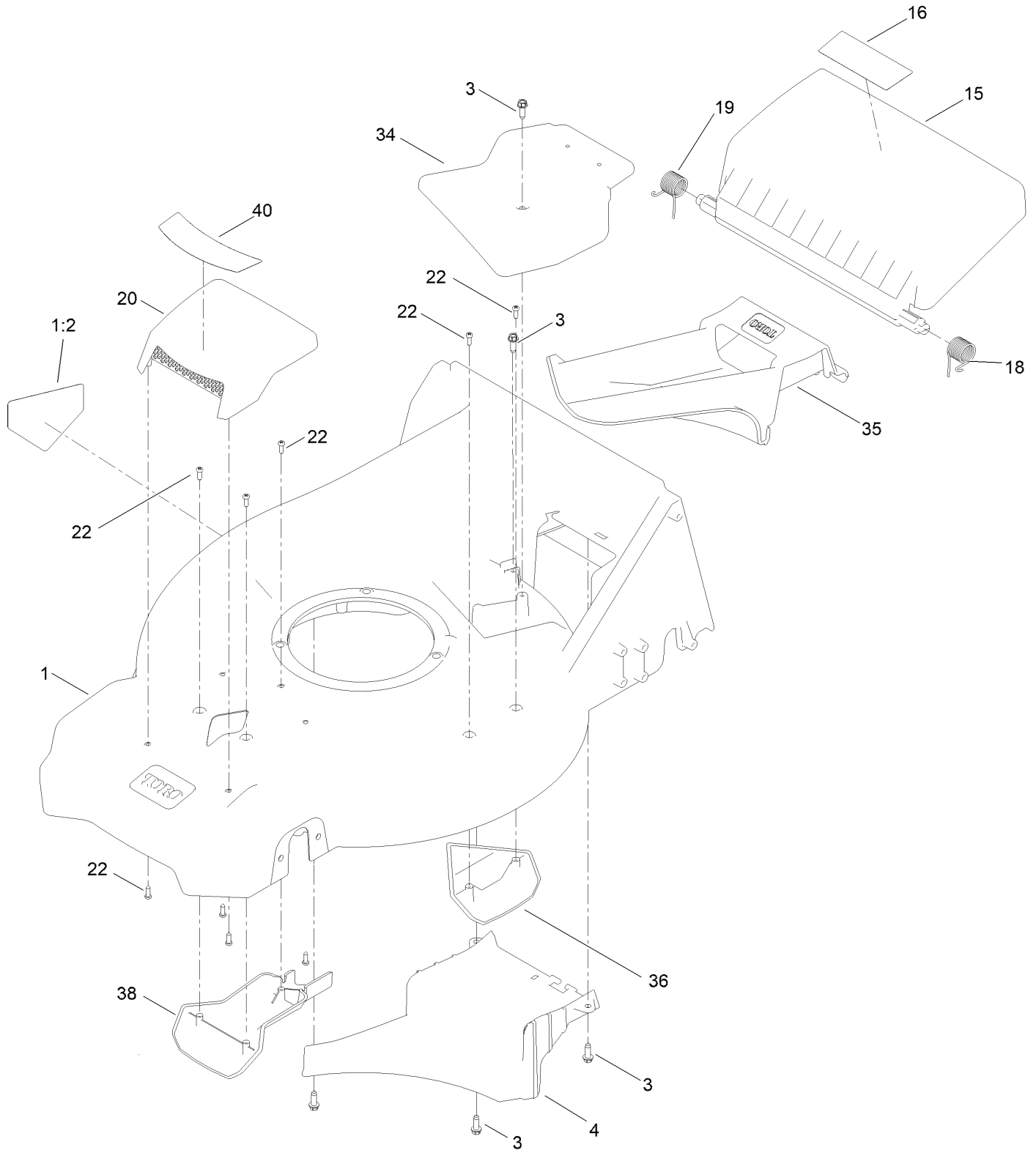
In an illustration, if a reference number indicates more than one part, the reference number has the form nX y. The n represents the quantity of the part, the X is the multiplication symbol, and the y represents the reference number.

For example, in an illustration, the reference number 2X 37 means that two of the parts identified by reference number 37 are indicated.

Contents

Housing Assembly	4
Rear Bag Assembly	6
Deck Decal Assembly	8
Engine and Blade Assembly	10
Front Wheel and Height-of-Cut Assembly	12
Rear Wheel and Height-of-Cut Assembly	14
Handle Assembly	16
Electric Start Assembly	18
Attachments and Accessories	20

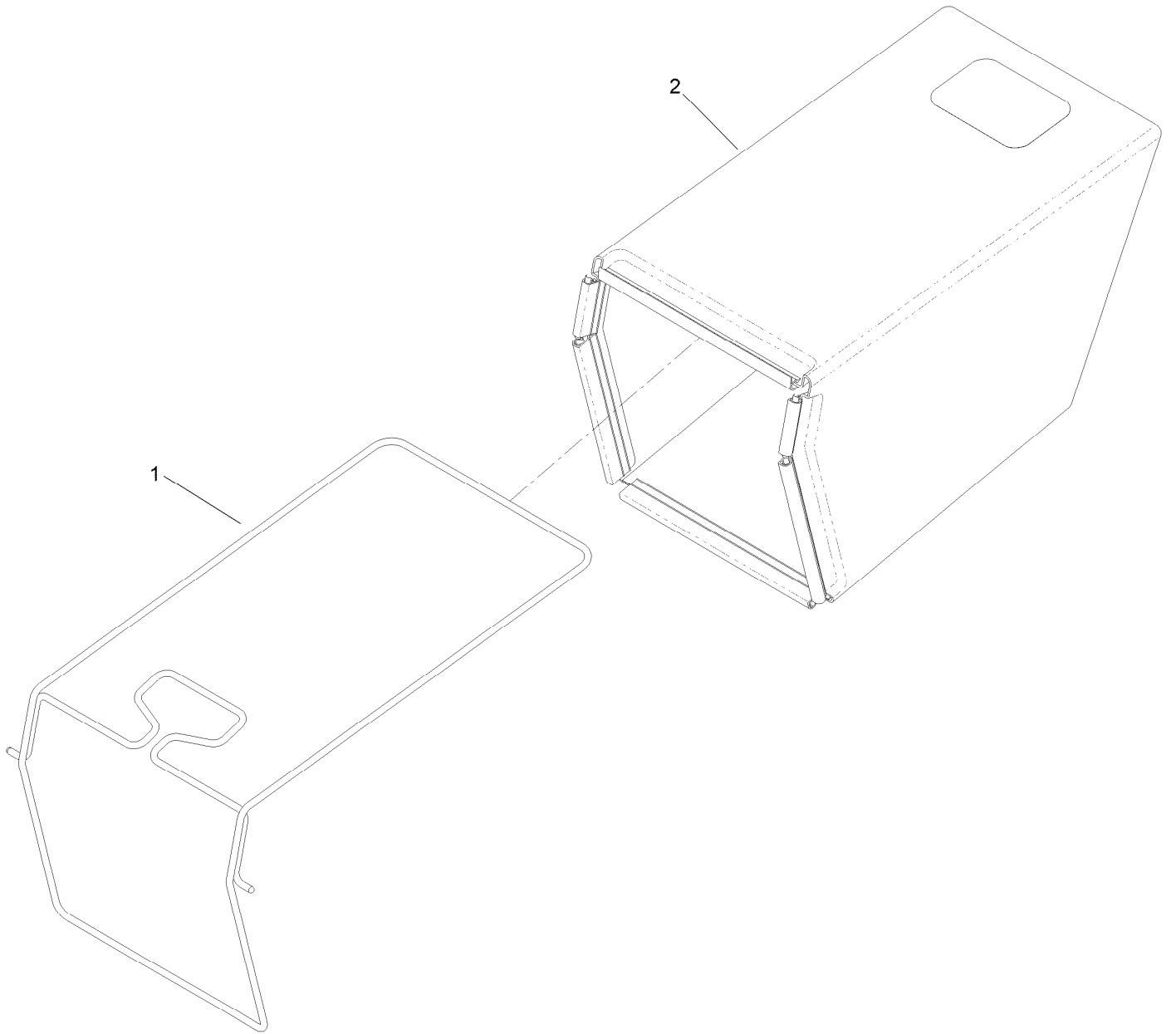
Housing Assembly



Housing Assembly (continued)

<i>Ref.</i>	<i>Part Number</i>	<i>Qty.</i>	<i>Description</i>	<i>Ref.</i>	<i>Part Number</i>	<i>Qty.</i>	<i>Description</i>
1	145-5835	1	Housing ASM	20	144-6531	1	ASM-Cover, Top Intake
1:2	94-8072	1	Decal-Danger	22	139-1703	9	Screw-Plastic, PPH
3	49-2040	5	Screw-HWHTF	34	144-0234	1	Cover-Belt, Top
4	144-0233	1	Ramp-Discharge	35	144-0236	1	Plug-Mulch
15	139-5477	1	Door-Rear	36	144-0237	1	Kicker-Housing
16	131-4514	1	Decal-Warning	38	144-6464	1	Cover-Intake, Bottom
18	139-5478	1	Spring-Torsion, LH	40	145-5600	1	Decal-Cover, Intake
19	139-5479	1	Spring-Torsion, RH				

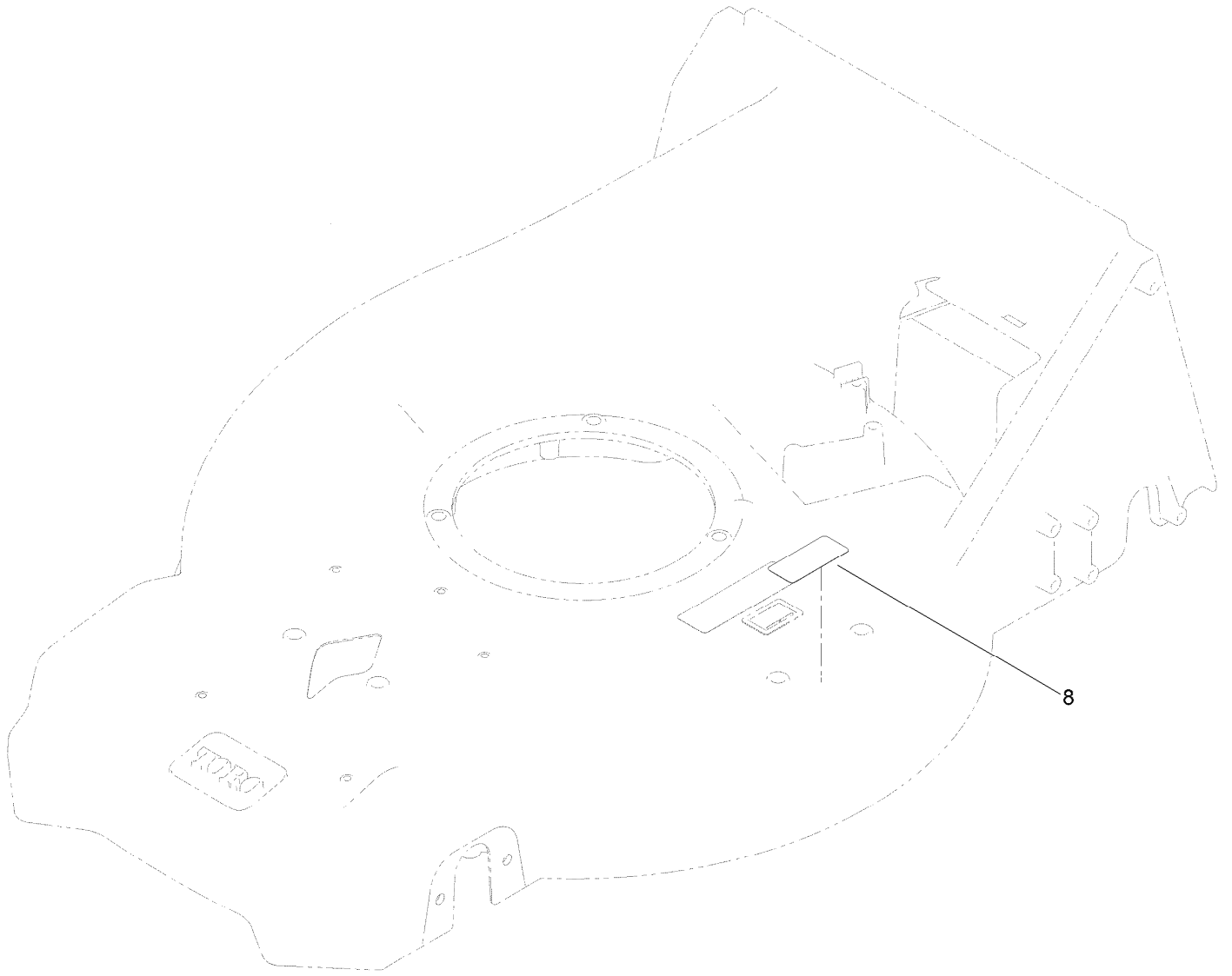
Rear Bag Assembly



Rear Bag Assembly (continued)

<i>Ref.</i>	<i>Part Number</i>	<i>Qty.</i>	<i>Description</i>
1	139-5470-03	1	ASM-Frame, Bag
2	144-6509	1	ASM-Bag, Grass

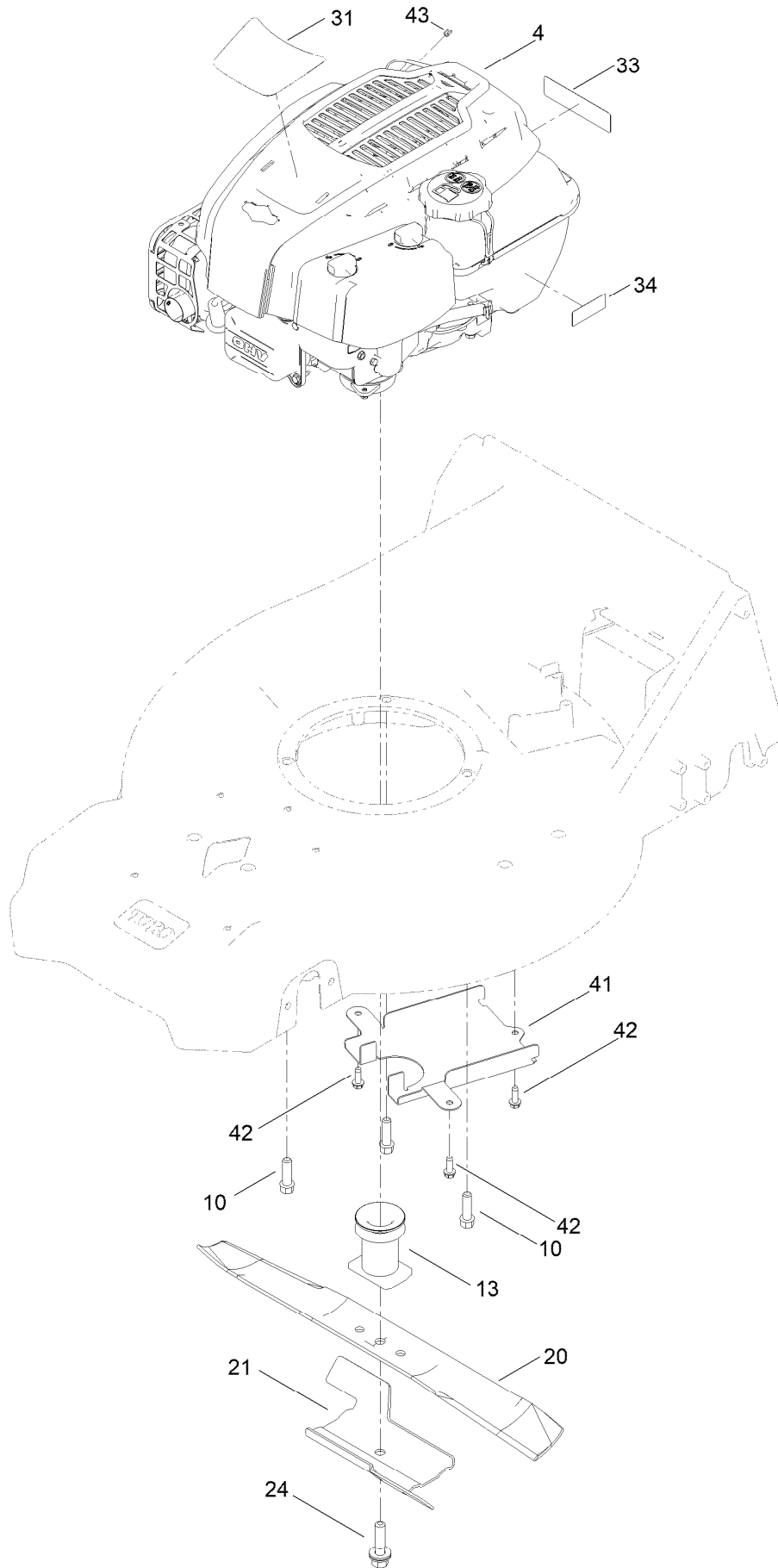
Deck Decal Assembly



Deck Decal Assembly (continued)

<i>Ref.</i>	<i>Part Number</i>	<i>Qty.</i>	<i>Description</i>
8	121-5684	1	Decal-Location, Service Dealer

Engine and Blade Assembly



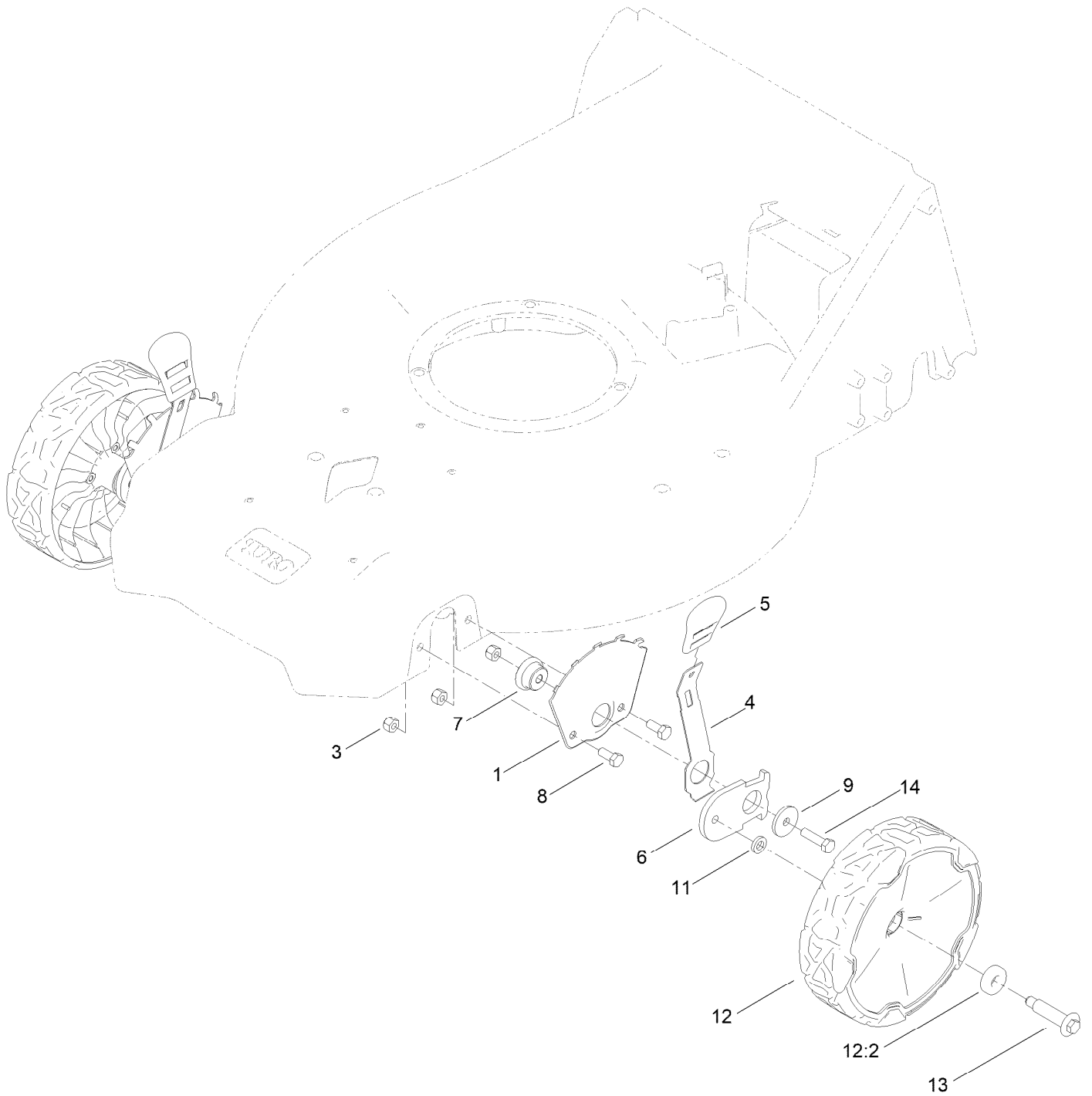
Engine and Blade Assembly (continued)

<i>Ref.</i>	<i>Part Number</i>	<i>Qty.</i>	<i>Description</i>	<i>Ref.</i>	<i>Part Number</i>	<i>Qty.</i>	<i>Description</i>
4		1	Engine-Briggs 875 ES SS ●	24	125-2466	1	Bolt-Blade
			■	31	145-5604	1	Decal-Briggs 875 Exi
10	95-1727	3	Screw-Taptite	33	133-8062	1	Decal-Spark Arrestor
13	139-1816	1	Driver-Blade	34	133-8198	1	Decal-Level, Fuel
20	133-8183-03	1	Blade-Recycling 21In (Bagging)	41	144-0238-05	1	Cover-Belt, Bottom
21	105-6848-01	1	Accelerator-Blade	42	49-2040	3	Screw-HWHTF
				43	2210-316	1	Stop-Rope

● Not serviced separately

■ Obtain parts from www.briggsandstratton.com

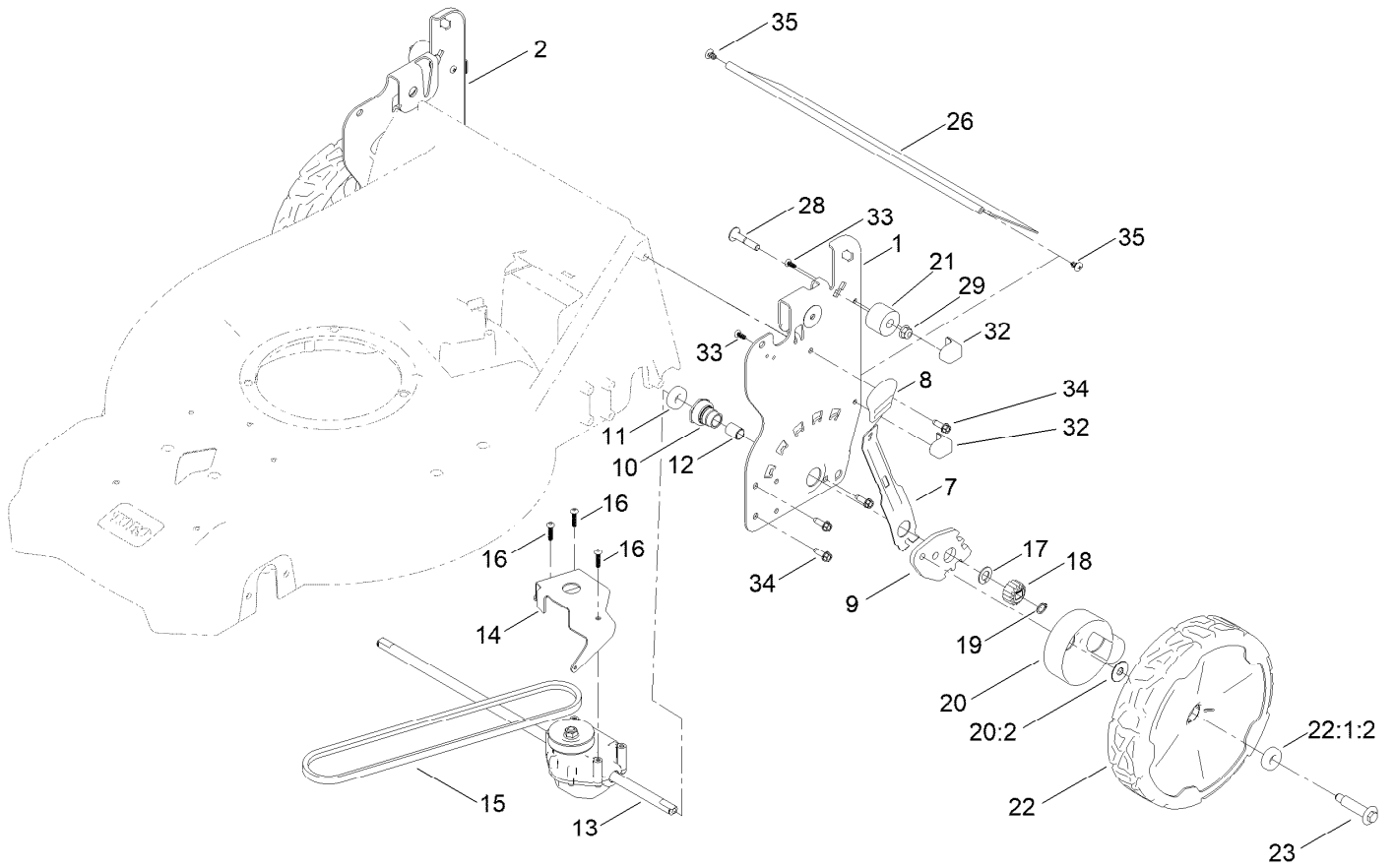
Front Wheel and Height-of-Cut Assembly



Front Wheel and Height-of-Cut Assembly (continued)

<i>Ref.</i>	<i>Part Number</i>	<i>Qty.</i>	<i>Description</i>	<i>Ref.</i>	<i>Part Number</i>	<i>Qty.</i>	<i>Description</i>
1	115-1956-05	2	Plate-HOC,Front Fsvq	9	105-3048	2	Washer-Flat
3	3296-29	6	Nut-Lock, NI	11	139-5449	2	Washer-Wheel Bolt
4	105-1809	2	Arm-Spring	12	144-6469	2	ASM-Wheel, 8" (Bearings)
5	110-0549	2	Knob-HOC	12:2	52-2450	2	Bearing-Wheel
6	137-9128	2	Arm-Pivot, Front	13	614650	2	Bolt-Shoulder
7	105-1818	2	Bushing-Mount, HOC	14	322-6	2	Screw-HH
8	322-3	4	Screw-HH				

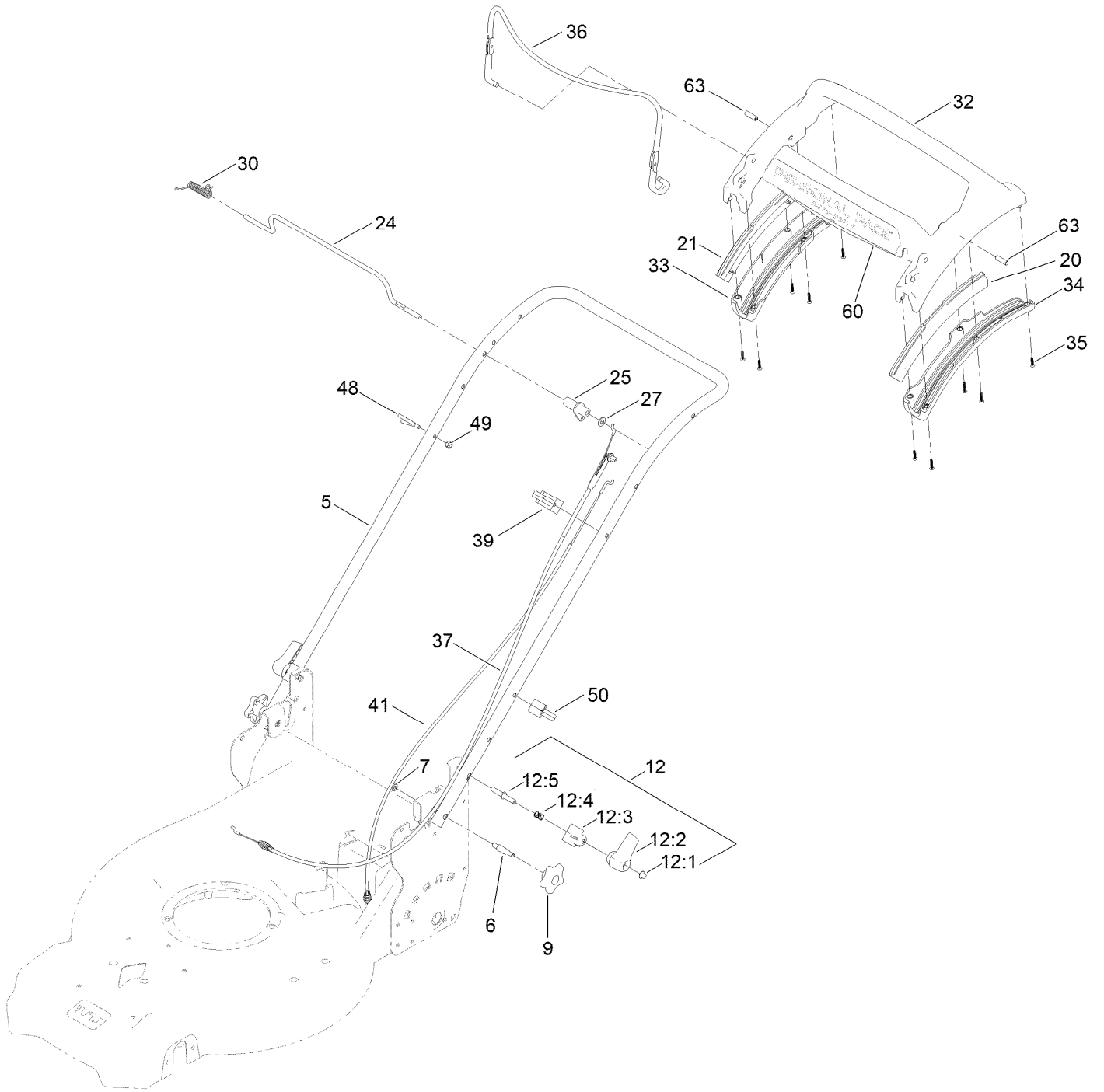
Rear Wheel and Height-of-Cut Assembly



Rear Wheel and Height-of-Cut Assembly (continued)

<i>Ref.</i>	<i>Part Number</i>	<i>Qty.</i>	<i>Description</i>	<i>Ref.</i>	<i>Part Number</i>	<i>Qty.</i>	<i>Description</i>
1	145-5651-05	1	Plate-HOC, LH (ISO)	19	32151-61	2	Ring-Retaining
2	145-5650-05	1	Plate-HOC, RH (ISO)	20	144-0240	2	ASM-Cover, Gear
7	132-4486	2	Arm-Spring	20:2	614426	1	Washer-Stepped
8	110-0549	2	Knob-HOC	21	144-0218	2	Bumper-Isolator
9	139-5451	2	Arm-Pivot, Rear	22	144-6474	2	ASM-9.65" Wheel, Geared
10	108-9779	2	Retainer-Bushing, HOC	22:1:2	52-2450	2	Bearing-Wheel
11	52-2450	2	Bearing-Wheel	23	145-3899	2	Wheel Bolt
12	108-9782	2	Bushing-Sleeve	26	139-6597	1	Shield-Trailing
13	144-0248	1	Transmission-Rwd, 5.25:1	28	144-6540	2	Screw-CARR-Spcl
14	132-4481-03	1	Bracket-Trans, Rwd Hi	29	104-8300	2	Nut-HF, NI
15	115-4669	1	Belt-V	32	140-2369	4	Pad-Smart Stow
16	108-7476	3	Screw-Plastite	33	107-7461	4	Screw-Plastite
17	110-7191	2	Washer-Thrust	34	49-2040	8	Screw-HWHTF
18	131-5399	2	Gear-Pinion, 15T	35	117-1092	2	Screw-PTH

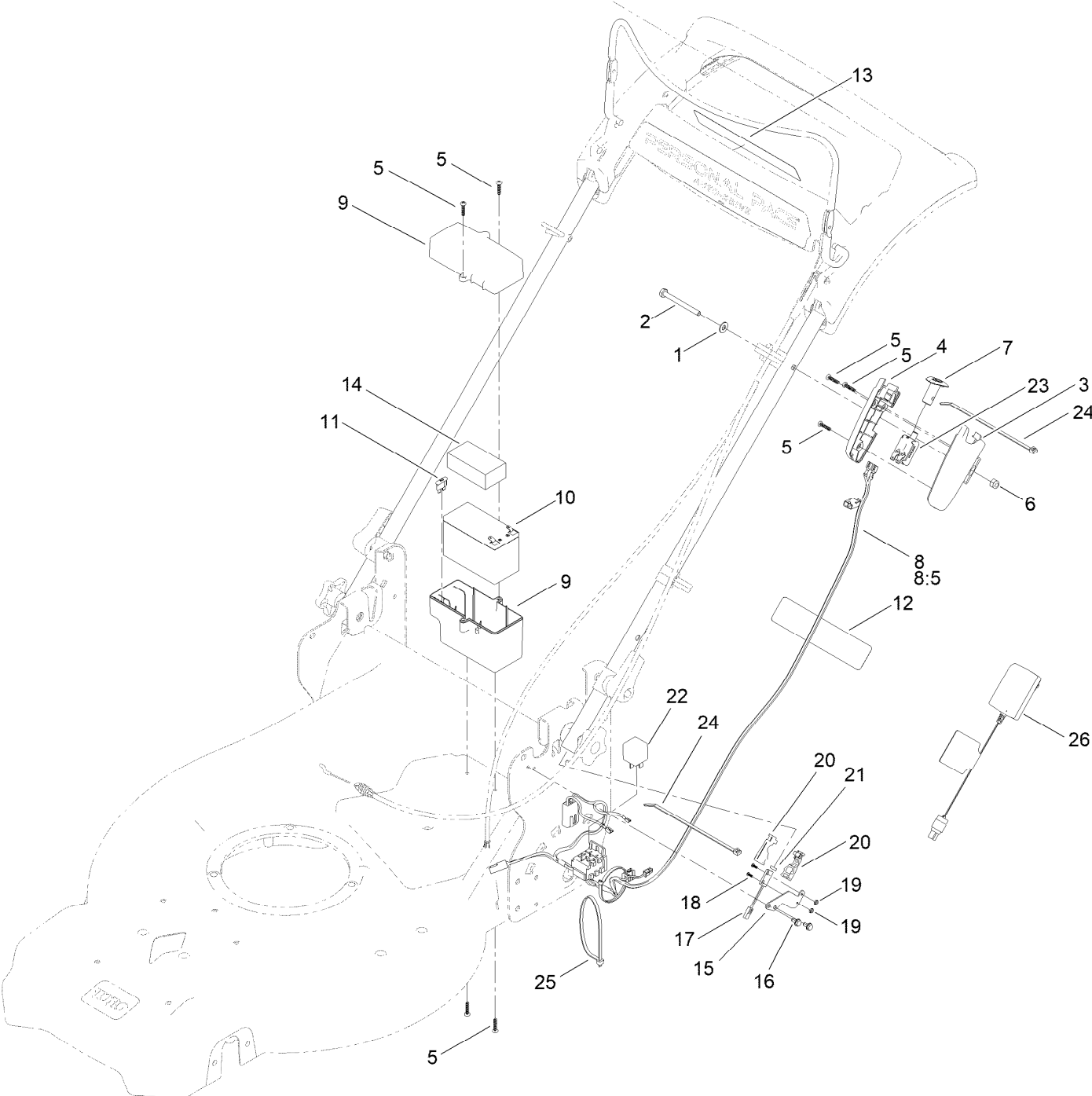
Handle Assembly



Handle Assembly (continued)

<i>Ref.</i>	<i>Part Number</i>	<i>Qty.</i>	<i>Description</i>	<i>Ref.</i>	<i>Part Number</i>	<i>Qty.</i>	<i>Description</i>
5	144-6516-05	1	Handle-Curved	30	140-4194	1	Spring-Torsion
6	139-6588	2	Bolt-Shoulder, Handle	32	139-6569	1	Handle-Personal Pace, Curved
7	3296-29	2	Nut-Lock, NI	33	139-6567	1	Bottom-Handle, RH
9	117-5976	2	Knob-Handle	34	139-6568	1	Bottom-Handle, LH
12	138-3249	2	Quick Release ASM	35	94-4496	10	Screw-PPH
12:1	140-4157	1	Nut-Push	36	140-4023-03	1	Bail-Brake
12:2	138-3248	1	Lever-Release	37	139-6594	1	Cable-Brake, Pp B&s
12:3	138-3253	1	Anchor-Spring	39	139-6581	1	Anchor-Cable, Rwd
12:4	115-2858	1	Spring-Compression	41	139-6595	1	Cable-Traction, Rwd (Pp)
12:5	140-4158	1	Rod-Release	48	86-9671	1	Guide-Rope
20	140-2367	1	Guide-Curved, LH (Rwd)	49	137-3094	1	Nut-Hex
21	140-2366	1	Guide-Curved, RH (Rwd)	50	114-7988	1	Guide-Cable
24	139-5464	1	Rod-Control, Traction	60	145-5601	1	Decal-Handle, Pp
25	139-6554	1	Lever-Traction, Rwd	63	139-6577	2	Pin-Handle, Pp
27	3256-23	1	Washer-Plain				

Electric Start Assembly



Electric Start Assembly (continued)

<i>Ref.</i>	<i>Part Number</i>	<i>Qty.</i>	<i>Description</i>	<i>Ref.</i>	<i>Part Number</i>	<i>Qty.</i>	<i>Description</i>
1	3256-1	1	Washer-Flat	13	133-1900	1	Decal-Button, Push
2	321-57	1	Screw-HH	14	107-3774	1	Foam-Battery, Top
3	133-8160	1	Housing-Switch, LH	15	144-0217	1	Brkt-Switch, SS
4	133-8161	1	Housing-Switch, RH	16	104-2065	2	Screw-HWH
5	94-4496	7	Screw-PPH	17	140-3832	1	Reed Switch ASM
6	137-3094	1	Nut-Hex	18	360-0224	2	Screw
7	125-2470	1	Button-Switch	19	3296-52	2	Nut-Lock, NI
8	140-6520	1	Harness-Wire, Sr5 Vert Stow	20	140-3806	2	Housing-Magnet
8:5	99-6124	1	Fuse-40 Amp	21	114-5896	1	Magnet
9	144-6390	1	Battery Box ASM	22	1-643275	1	Relay
10	127-0694	1	Battery-Nonspillable, 12 V	23	121-9173	1	Switch-Push Button
11	99-6124	1	Fuse-40 Amp	24	614249	2	Tie-Cable
12	140-4357	2	Decal-Battery Charging	25	3290-379	1	Tie-Cable
				26	136-9126	1	Charger, Battery (12V)

Attachments and Accessories

For 21564 21in Super Recycler Lawn Mower

Product Name	Model/Part
Bagging Blade	108-3759-03
Fuel Stabilizer .05 oz	130-2393
Briggs Maint Kit.....	130-8148
4-Cycle Fuel, Snow And Lawn 32oz Can	131-3823
Toro Premium Fuel Treatment 12oz Bottle.....	131-6572
Oil-30/10W-30 Synthetic (Quart).....	138-6053
Discharge Chute ASM	144-0242
Lawn Striping Kit with 22in Roller.....	20601
Summer Oil-Case of 24 (20oz Bottles).....	38916
Smart Stow Walk Power Mower Cover	490-2012
Bag-Walk Behind (Toro).....	490-7318
Lawnmower Cover.....	490-7462

For 21564 21in Super Recycler Lawn Mower

Product Name	Model/Part
Bagging Blade	108-3759-03
Fuel Stabilizer .05 oz	130-2393
Briggs Maint Kit.....	130-8148
4-Cycle Fuel, Snow And Lawn 32oz Can	131-3823
Toro Premium Fuel Treatment 12oz Bottle.....	131-6572
Oil-30/10W-30 Synthetic (Quart).....	138-6053
Discharge Chute ASM	144-0242
Lawn Striping Kit with 22in Roller.....	20601
Summer Oil-Case of 24 (20oz Bottles).....	38916
Smart Stow Walk Power Mower Cover	490-2012
Bag-Walk Behind (Toro).....	490-7318
Lawnmower Cover.....	490-7462

Notes:

Notes:

Notes:



Count on it.