



**Count on it.**

**Parts Catalog**

**21in Super Recycler<sup>®</sup>**

**Lawn Mower**

Model No. 21565—Serial No. 412110343 and Up



# Ordering Replacement Parts

To order replacement parts, please supply the part number, the quantity, and the description of each part desired.

## Understanding Reference Numbers

Each identified part in an illustration has a reference number. The reference number for a part also appears in the parts list, along with other information about the part.

This catalog uses two special reference number formats, one to indicate parts in a service assembly and another to indicate the quantity of a given part in an illustration.

## Service Assembly Reference Numbers

Parts in service assemblies have reference numbers in the form a:b. The a represents the reference number of the entire service assembly and the b represents a sequential number unique to each part within the service assembly.

For example, a wheel assembly might be identified by reference number 6, the tire by 6:1, the valve by 6:2, and the wheel by 6:3. When you order the assembly identified by reference number 6, you receive all parts identified by reference numbers 6:1, 6:2, and 6:3. However, you may also order any part individually. Reference numbers of this type appear in illustration and in parts lists.

## Reference Numbers Indicating Quantity

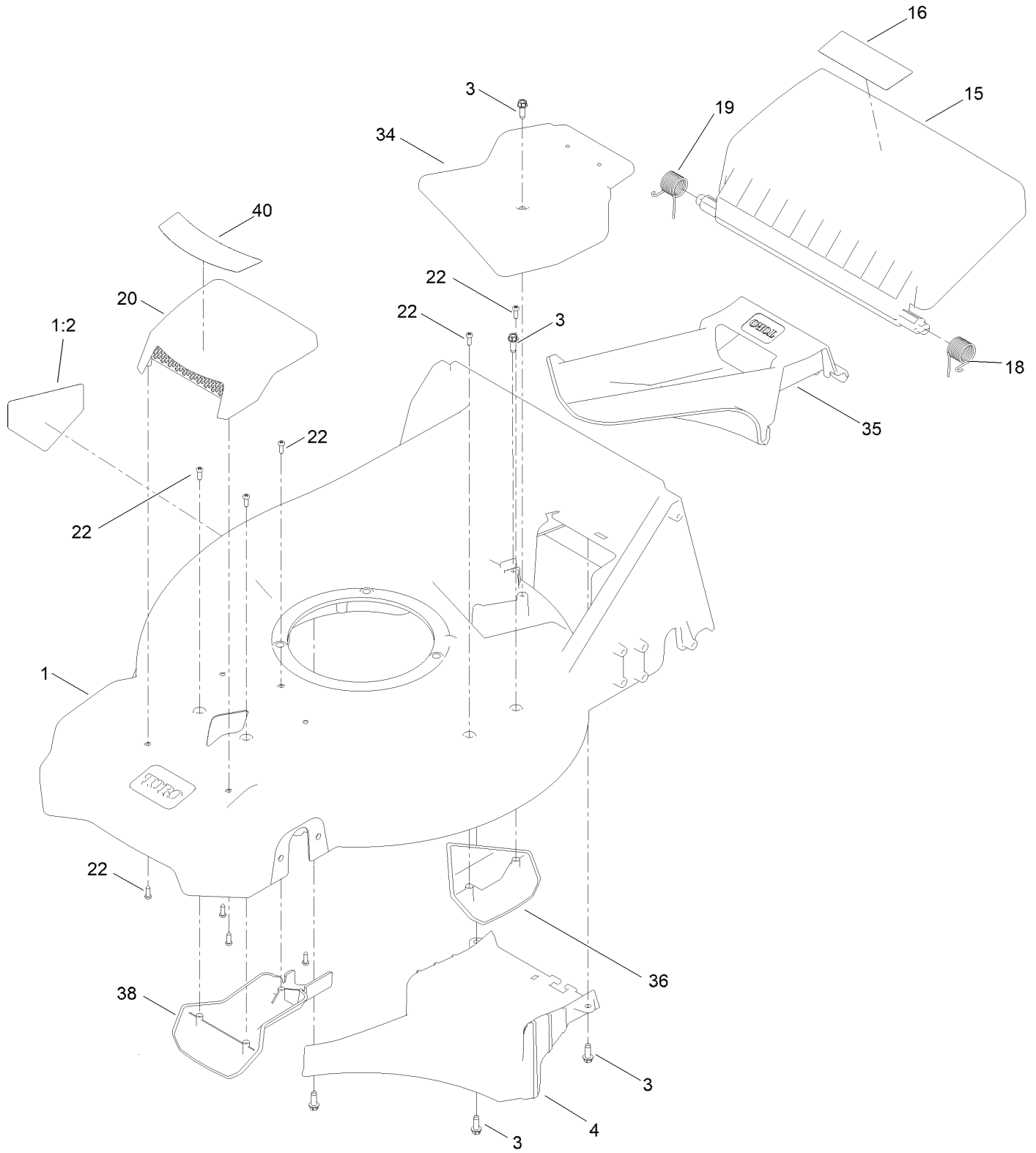
In an illustration, if a reference number indicates more than one part, the reference number has the form nX y. The n represents the quantity of the part, the X is the multiplication symbol, and the y represents the reference number.

For example, in an illustration, the reference number 2X 37 means that two of the parts identified by reference number 37 are indicated.

# Contents

|  |    |
|--|----|
| Housing Assembly .....                       | 4  |
| Rear Bag Assembly .....                      | 6  |
| Deck Decal Assembly .....                    | 8  |
| Engine and Blade Assembly .....              | 10 |
| Front Wheel and Height-of-Cut Assembly ..... | 12 |
| Rear Wheel and Height-of-Cut Assembly .....  | 14 |
| Handle Assembly .....                        | 16 |
| Attachments and Accessories .....            | 18 |

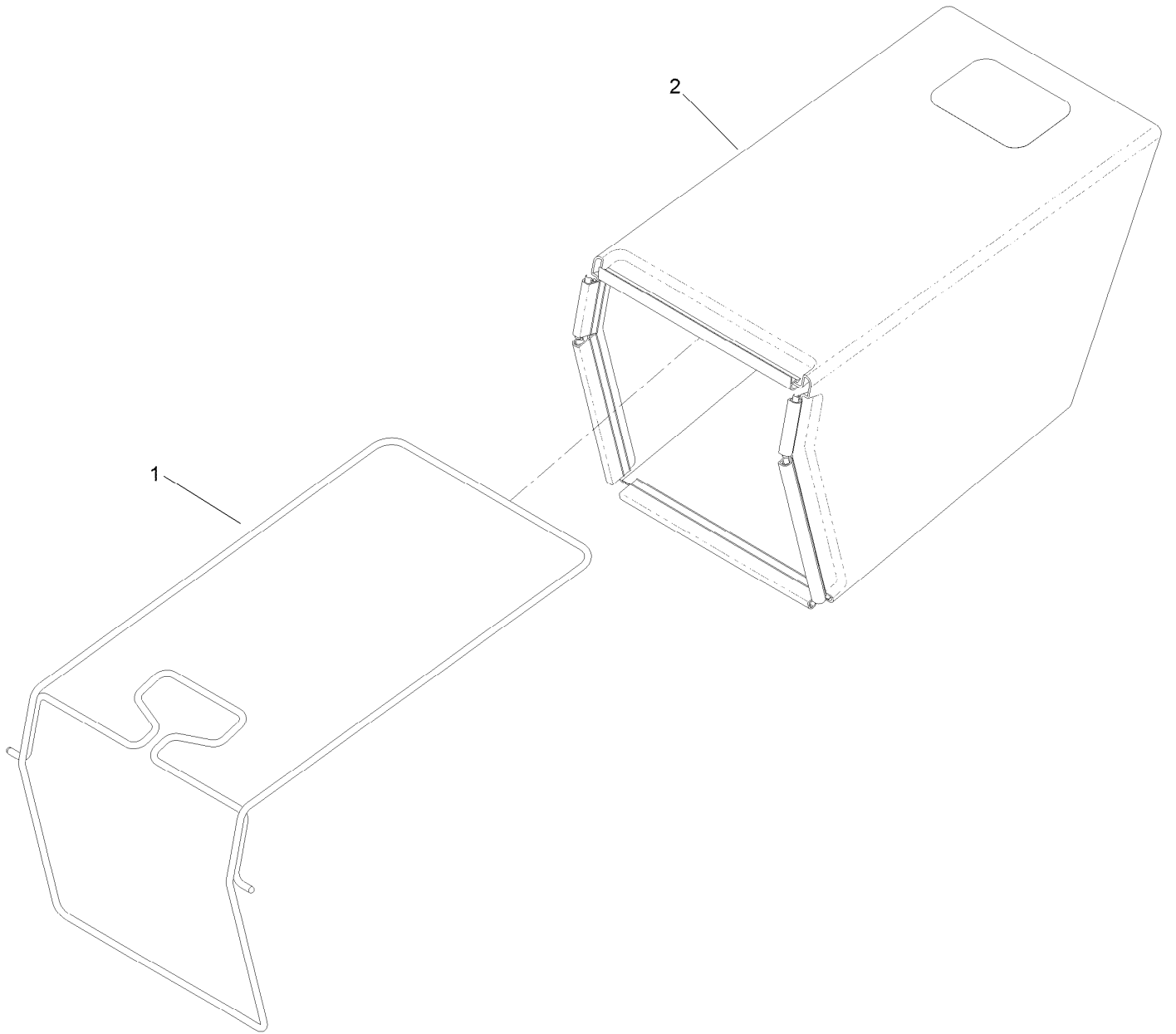
# Housing Assembly



## Housing Assembly (continued)

| <i>Ref.</i> | <i>Part Number</i> | <i>Qty.</i> | <i>Description</i> | <i>Ref.</i> | <i>Part Number</i> | <i>Qty.</i> | <i>Description</i>    |
|-------------|--------------------|-------------|--------------------|-------------|--------------------|-------------|-----------------------|
| 1           | 145-5835           | 1           | Housing ASM        | 20          | 144-6531           | 1           | ASM-Cover, Top Intake |
| 1:2         | 94-8072            | 1           | Decal-Danger       | 22          | 139-1703           | 9           | Screw-Plastic, PPH    |
| 3           | 49-2040            | 5           | Screw-HWHTF        | 34          | 144-0234           | 1           | Cover-Belt, Top       |
| 4           | 144-0233           | 1           | Ramp-Discharge     | 35          | 144-0236           | 1           | Plug-Mulch            |
| 15          | 139-5477           | 1           | Door-Rear          | 36          | 144-0237           | 1           | Kicker-Housing        |
| 16          | 131-4514           | 1           | Decal-Warning      | 38          | 144-6464           | 1           | Cover-Intake, Bottom  |
| 18          | 139-5478           | 1           | Spring-Torsion, LH | 40          | 145-5600           | 1           | Decal-Cover, Intake   |
| 19          | 139-5479           | 1           | Spring-Torsion, RH |             |                    |             |                       |

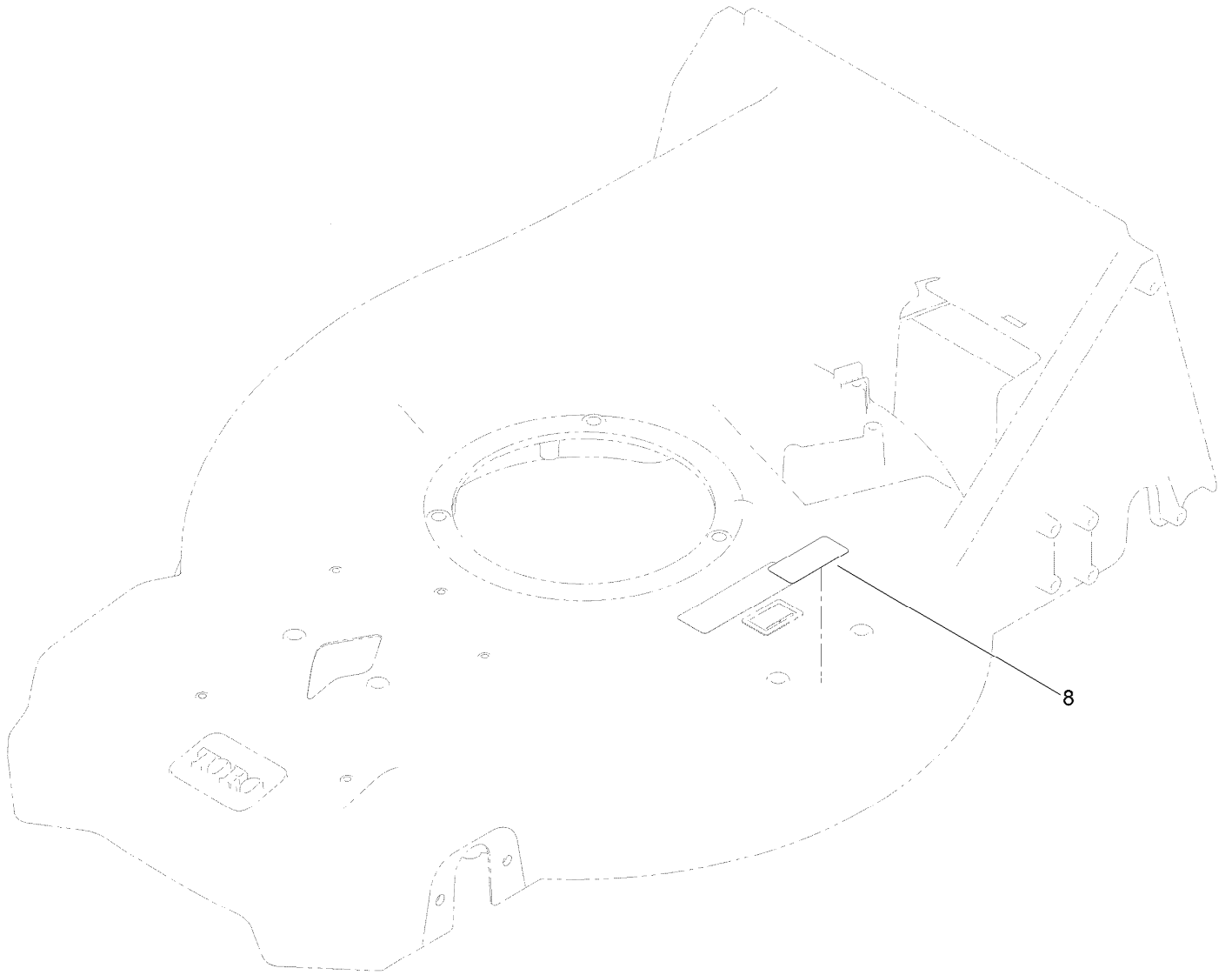
# Rear Bag Assembly



## Rear Bag Assembly (continued)

| <i>Ref.</i> | <i>Part Number</i> | <i>Qty.</i> | <i>Description</i> |
|-------------|--------------------|-------------|--------------------|
| 1           | 139-5470-03        | 1           | ASM-Frame, Bag     |
| 2           | 144-6509           | 1           | ASM-Bag, Grass     |

# Deck Decal Assembly





## Deck Decal Assembly (continued)

| <i>Ref.</i> | <i>Part Number</i> | <i>Qty.</i> | <i>Description</i>             |
|-------------|--------------------|-------------|--------------------------------|
| 8           | 121-5684           | 1           | Decal-Location, Service Dealer |



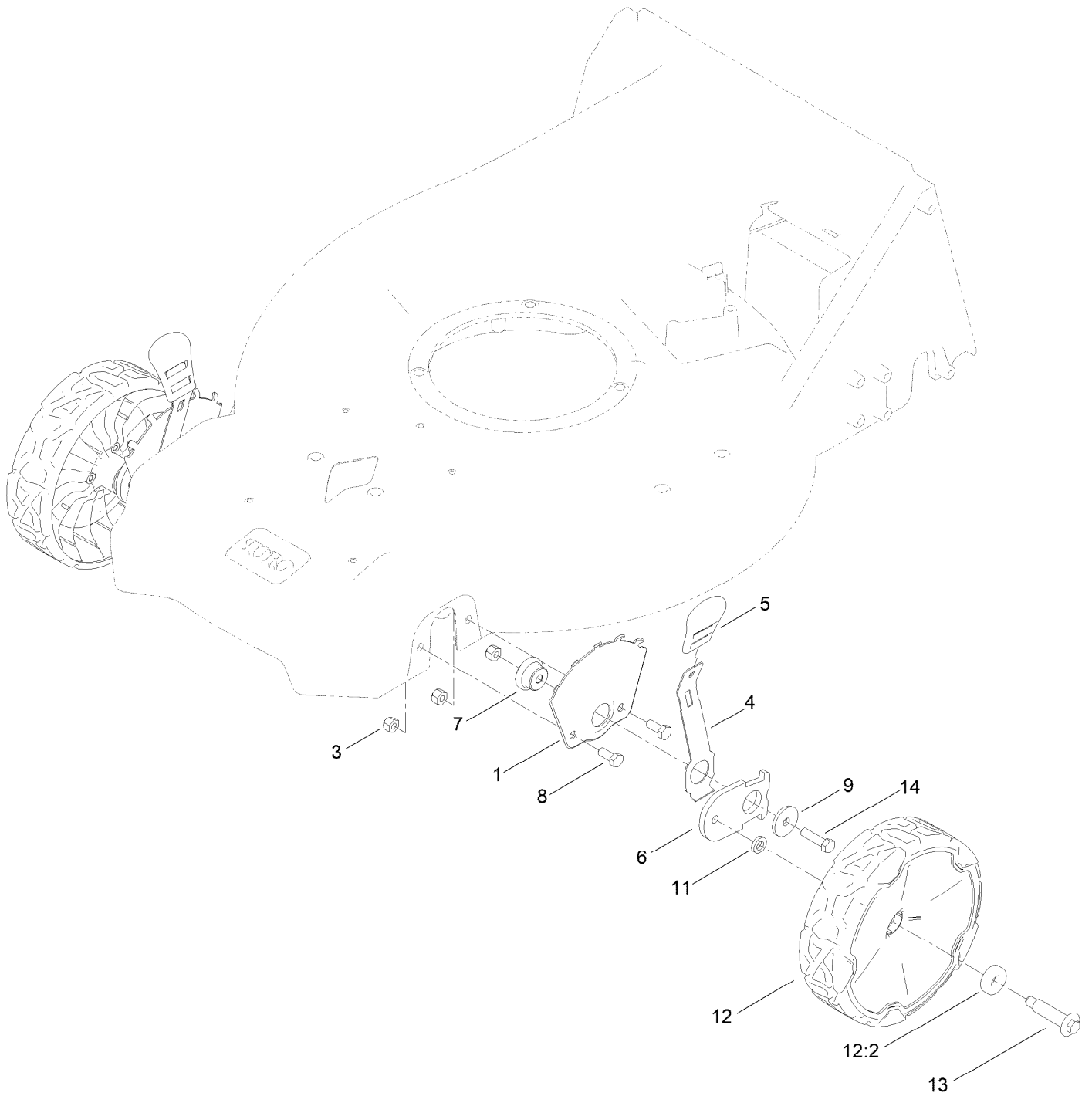
## Engine and Blade Assembly (continued)

| <i>Ref.</i> | <i>Part Number</i> | <i>Qty.</i> | <i>Description</i>                | <i>Ref.</i> | <i>Part Number</i> | <i>Qty.</i> | <i>Description</i>      |
|-------------|--------------------|-------------|-----------------------------------|-------------|--------------------|-------------|-------------------------|
| 2           |                    | 1           | Engine-Briggs<br>104M020254F1 ●■  | 24          | 125-2466           | 1           | Bolt-Blade              |
| 10          | 95-1727            | 3           | Screw-Taptite                     | 30          | 145-5603           | 1           | Decal-Briggs 725 Exi SS |
| 13          | 139-1816           | 1           | Driver-Blade                      | 33          | 133-8062           | 1           | Decal-Spark Arrestor    |
| 20          | 133-8183-03        | 1           | Blade-Recycling 21In<br>(Bagging) | 34          | 133-8198           | 1           | Decal-Level, Fuel       |
| 21          | 105-6848-01        | 1           | Accelerator-Blade                 | 41          | 144-0238-05        | 1           | Cover-Belt, Bottom      |
|             |                    |             |                                   | 42          | 49-2040            | 3           | Screw-HWHTF             |
|             |                    |             |                                   | 43          | 2210-316           | 1           | Stop-Rope               |

● Not serviced separately

■ Obtain parts from [www.briggsandstratton.com](http://www.briggsandstratton.com)

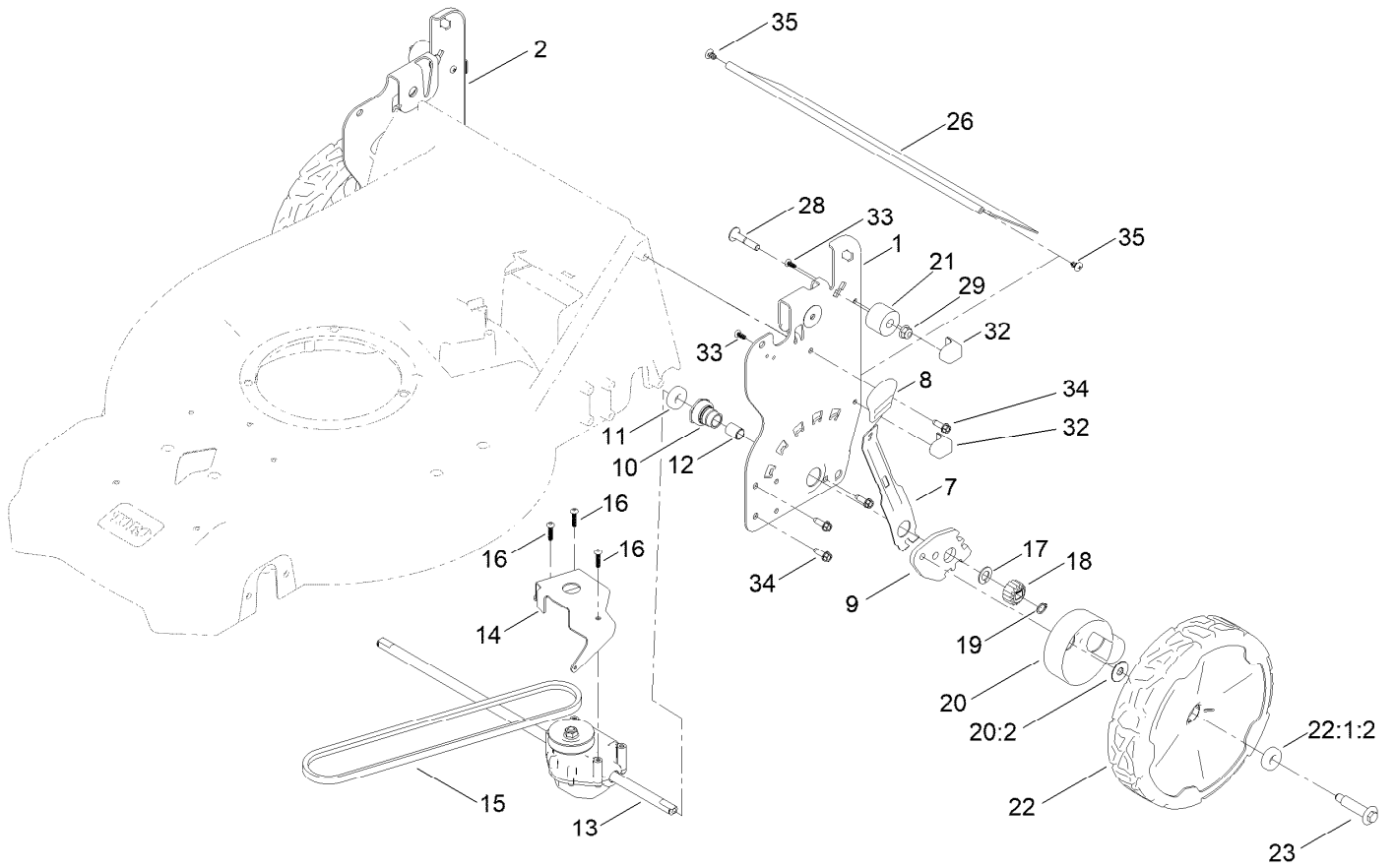
# Front Wheel and Height-of-Cut Assembly



## Front Wheel and Height-of-Cut Assembly (continued)

| <i>Ref.</i> | <i>Part Number</i> | <i>Qty.</i> | <i>Description</i>   | <i>Ref.</i> | <i>Part Number</i> | <i>Qty.</i> | <i>Description</i>       |
|-------------|--------------------|-------------|----------------------|-------------|--------------------|-------------|--------------------------|
| 1           | 115-1956-05        | 2           | Plate-HOC,Front Fsvq | 9           | 105-3048           | 2           | Washer-Flat              |
| 3           | 3296-29            | 6           | Nut-Lock, NI         | 11          | 139-5449           | 2           | Washer-Wheel Bolt        |
| 4           | 105-1809           | 2           | Arm-Spring           | 12          | 144-6469           | 2           | ASM-Wheel, 8" (Bearings) |
| 5           | 110-0549           | 2           | Knob-HOC             | 12:2        | 52-2450            | 2           | Bearing-Wheel            |
| 6           | 137-9128           | 2           | Arm-Pivot, Front     | 13          | 614650             | 2           | Bolt-Shoulder            |
| 7           | 105-1818           | 2           | Bushing-Mount, HOC   | 14          | 322-6              | 2           | Screw-HH                 |
| 8           | 322-3              | 4           | Screw-HH             |             |                    |             |                          |

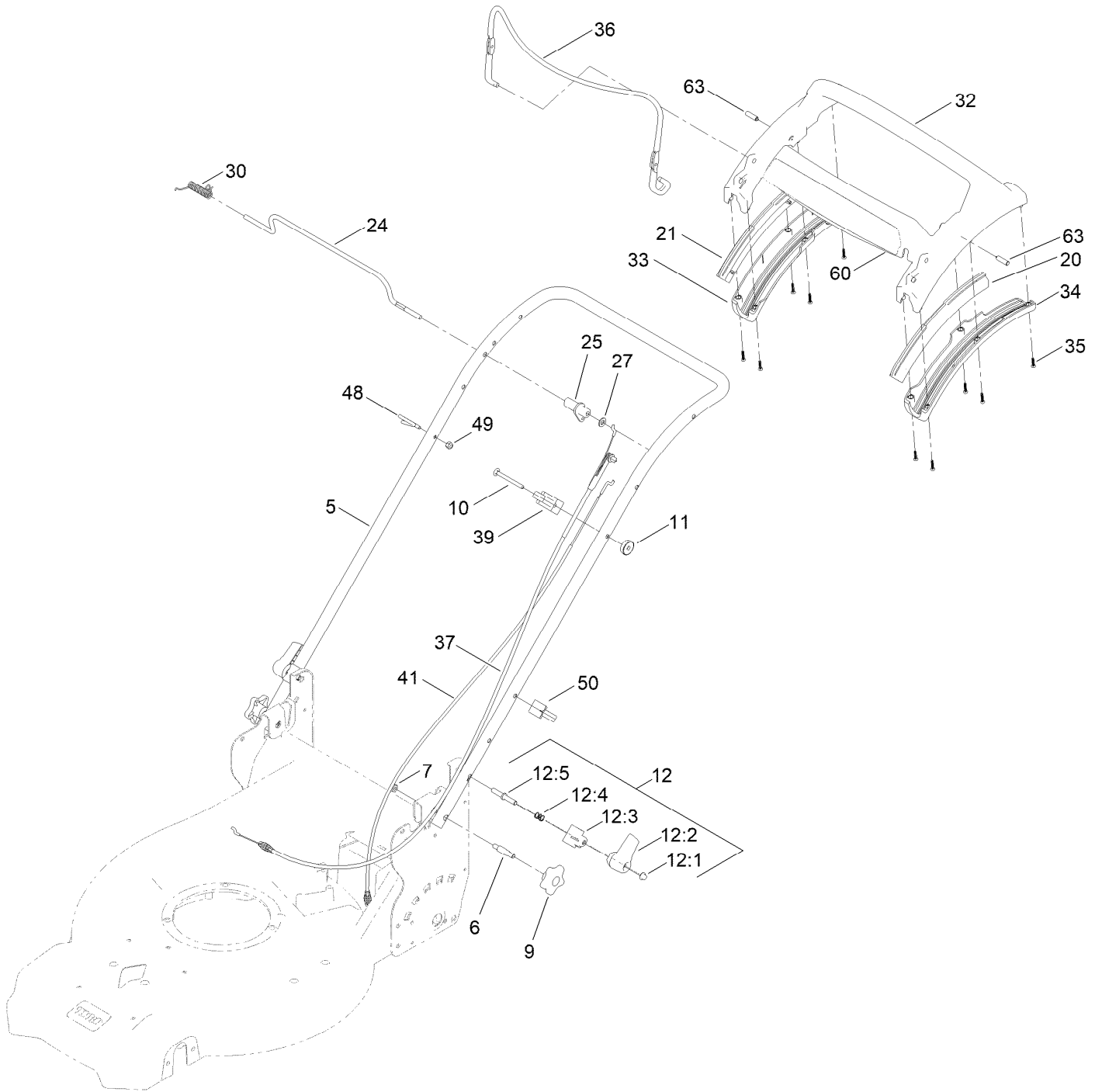
# Rear Wheel and Height-of-Cut Assembly



## Rear Wheel and Height-of-Cut Assembly (continued)

| <i>Ref.</i> | <i>Part Number</i> | <i>Qty.</i> | <i>Description</i>       | <i>Ref.</i> | <i>Part Number</i> | <i>Qty.</i> | <i>Description</i>      |
|-------------|--------------------|-------------|--------------------------|-------------|--------------------|-------------|-------------------------|
| 1           | 145-5651-05        | 1           | Plate-HOC, LH (ISO)      | 19          | 32151-61           | 2           | Ring-Retaining          |
| 2           | 145-5650-05        | 1           | Plate-HOC, RH (ISO)      | 20          | 144-0240           | 2           | ASM-Cover, Gear         |
| 7           | 132-4486           | 2           | Arm-Spring               | 20:2        | 614426             | 1           | Washer-Stepped          |
| 8           | 110-0549           | 2           | Knob-HOC                 | 21          | 144-0218           | 2           | Bumper-Isolator         |
| 9           | 139-5451           | 2           | Arm-Pivot, Rear          | 22          | 144-6474           | 2           | ASM-9.65" Wheel, Geared |
| 10          | 108-9779           | 2           | Retainer-Bushing, HOC    | 22:1:2      | 52-2450            | 2           | Bearing-Wheel           |
| 11          | 52-2450            | 2           | Bearing-Wheel            | 23          | 145-3899           | 2           | Wheel Bolt              |
| 12          | 108-9782           | 2           | Bushing-Sleeve           | 26          | 139-6597           | 1           | Shield-Trailing         |
| 13          | 144-0248           | 1           | Transmission-Rwd, 5.25:1 | 28          | 144-6540           | 2           | Screw-CARR-Spcl         |
| 14          | 132-4481-03        | 1           | Bracket-Trans, Rwd Hi    | 29          | 104-8300           | 2           | Nut-HF, NI              |
| 15          | 115-4669           | 1           | Belt-V                   | 32          | 140-2369           | 4           | Pad-Smart Stow          |
| 16          | 108-7476           | 3           | Screw-Plastite           | 33          | 107-7461           | 4           | Screw-Plastite          |
| 17          | 110-7191           | 2           | Washer-Thrust            | 34          | 49-2040            | 8           | Screw-HWHTF             |
| 18          | 131-5399           | 2           | Gear-Pinion, 15T         | 35          | 117-1092           | 2           | Screw-PTH               |

# Handle Assembly





## Handle Assembly (continued)

| <i>Ref.</i> | <i>Part Number</i> | <i>Qty.</i> | <i>Description</i>     | <i>Ref.</i> | <i>Part Number</i> | <i>Qty.</i> | <i>Description</i>              |
|-------------|--------------------|-------------|------------------------|-------------|--------------------|-------------|---------------------------------|
| 5           | 144-6516-05        | 1           | Handle-Curved          | 27          | 3256-23            | 1           | Washer-Plain                    |
| 6           | 139-6588           | 2           | Bolt-Shoulder, Handle  | 30          | 140-4194           | 1           | Spring-Torsion                  |
| 7           | 3296-29            | 2           | Nut-Lock, NI           | 32          | 139-6569           | 1           | Handle-Personal Pace,<br>Curved |
| 9           | 117-5976           | 2           | Knob-Handle            | 33          | 139-6567           | 1           | Bottom-Handle, RH               |
| 10          | 144-0221           | 1           | Screw-CARR             | 34          | 139-6568           | 1           | Bottom-Handle, LH               |
| 11          | 136-9075           | 1           | Washer-Curved          | 35          | 94-4496            | 10          | Screw-PPH                       |
| 12          | 138-3249           | 2           | Quick Release ASM      | 36          | 140-4023-03        | 1           | Bail-Brake                      |
| 12:1        | 140-4157           | 1           | Nut-Push               | 37          | 139-6594           | 1           | Cable-Brake, Pp B&s             |
| 12:2        | 138-3248           | 1           | Lever-Release          | 39          | 139-6581           | 1           | Anchor-Cable, Rwd               |
| 12:3        | 138-3253           | 1           | Anchor-Spring          | 41          | 139-6595           | 1           | Cable-Traction, Rwd (Pp)        |
| 12:4        | 115-2858           | 1           | Spring-Compression     | 48          | 86-9671            | 1           | Guide-Rope                      |
| 12:5        | 140-4158           | 1           | Rod-Release            | 49          | 137-3094           | 2           | Nut-Hex                         |
| 20          | 140-2367           | 1           | Guide-Curved, LH (Rwd) | 50          | 114-7988           | 1           | Guide-Cable                     |
| 21          | 140-2366           | 1           | Guide-Curved, RH (Rwd) | 60          | 145-5601           | 1           | Decal-Handle, Pp                |
| 24          | 139-5464           | 1           | Rod-Control, Traction  | 63          | 139-6577           | 2           | Pin-Handle, Pp                  |
| 25          | 139-6554           | 1           | Lever-Traction, Rwd    |             |                    |             |                                 |

# Attachments and Accessories

## For 21565 21in Super Recycler Lawn Mower

| <b>Product Name</b>                          | <b>Model/Part</b> |
|--|-------------------|
| Discharge Chute ASM .....                    | 144-0242          |
| Briggs Maint Kit.....                        | 130-8148          |
| Smart Stow Walk Power Mower Cover .....      | 490-2012          |
| Lawnmower Cover.....                         | 490-7462          |
| Lawn Striping Kit with 22in Roller.....      | 20601             |
| Bagging Blade .....                          | 108-3759-03       |
| Bag-Walk Behind (Toro).....                  | 490-7318          |
| Fuel Stabilizer .05 oz .....                 | 130-2393          |
| Summer Oil-Case of 24 (20oz Bottles).....    | 38916             |
| 4-Cycle Fuel, Snow And Lawn 32oz Can .....   | 131-3823          |
| Oil-30/10W-30 Synthetic (Quart).....         | 138-6053          |
| Toro Premium Fuel Treatment 12oz Bottle..... | 131-6572          |

## For 21565 21in Super Recycler Lawn Mower

| <b>Product Name</b>                          | <b>Model/Part</b> |
|--|-------------------|
| Discharge Chute ASM .....                    | 144-0242          |
| Briggs Maint Kit.....                        | 130-8148          |
| Smart Stow Walk Power Mower Cover .....      | 490-2012          |
| Lawnmower Cover.....                         | 490-7462          |
| Lawn Striping Kit with 22in Roller.....      | 20601             |
| Bagging Blade .....                          | 108-3759-03       |
| Bag-Walk Behind (Toro).....                  | 490-7318          |
| Fuel Stabilizer .05 oz .....                 | 130-2393          |
| Summer Oil-Case of 24 (20oz Bottles).....    | 38916             |
| 4-Cycle Fuel, Snow And Lawn 32oz Can .....   | 131-3823          |
| Oil-30/10W-30 Synthetic (Quart).....         | 138-6053          |
| Toro Premium Fuel Treatment 12oz Bottle..... | 131-6572          |

**Notes:**



**Count on it.**