



Count on it.

Parts Catalog

**22in Recycler[®] Lawn Mower
with SmartStow[®]**

Model No. 21445—Serial No. 411998892 and Up



Ordering Replacement Parts

To order replacement parts, please supply the part number, the quantity, and the description of each part desired.

Understanding Reference Numbers

Each identified part in an illustration has a reference number. The reference number for a part also appears in the parts list, along with other information about the part.

This catalog uses two special reference number formats, one to indicate parts in a service assembly and another to indicate the quantity of a given part in an illustration.

Service Assembly Reference Numbers

Parts in service assemblies have reference numbers in the form a:b. The a represents the reference number of the entire service assembly and the b represents a sequential number unique to each part within the service assembly.

For example, a wheel assembly might be identified by reference number 6, the tire by 6:1, the valve by 6:2, and the wheel by 6:3. When you order the assembly identified by reference number 6, you receive all parts identified by reference numbers 6:1, 6:2, and 6:3. However, you may also order any part individually. Reference numbers of this type appear in illustration and in parts lists.

Reference Numbers Indicating Quantity

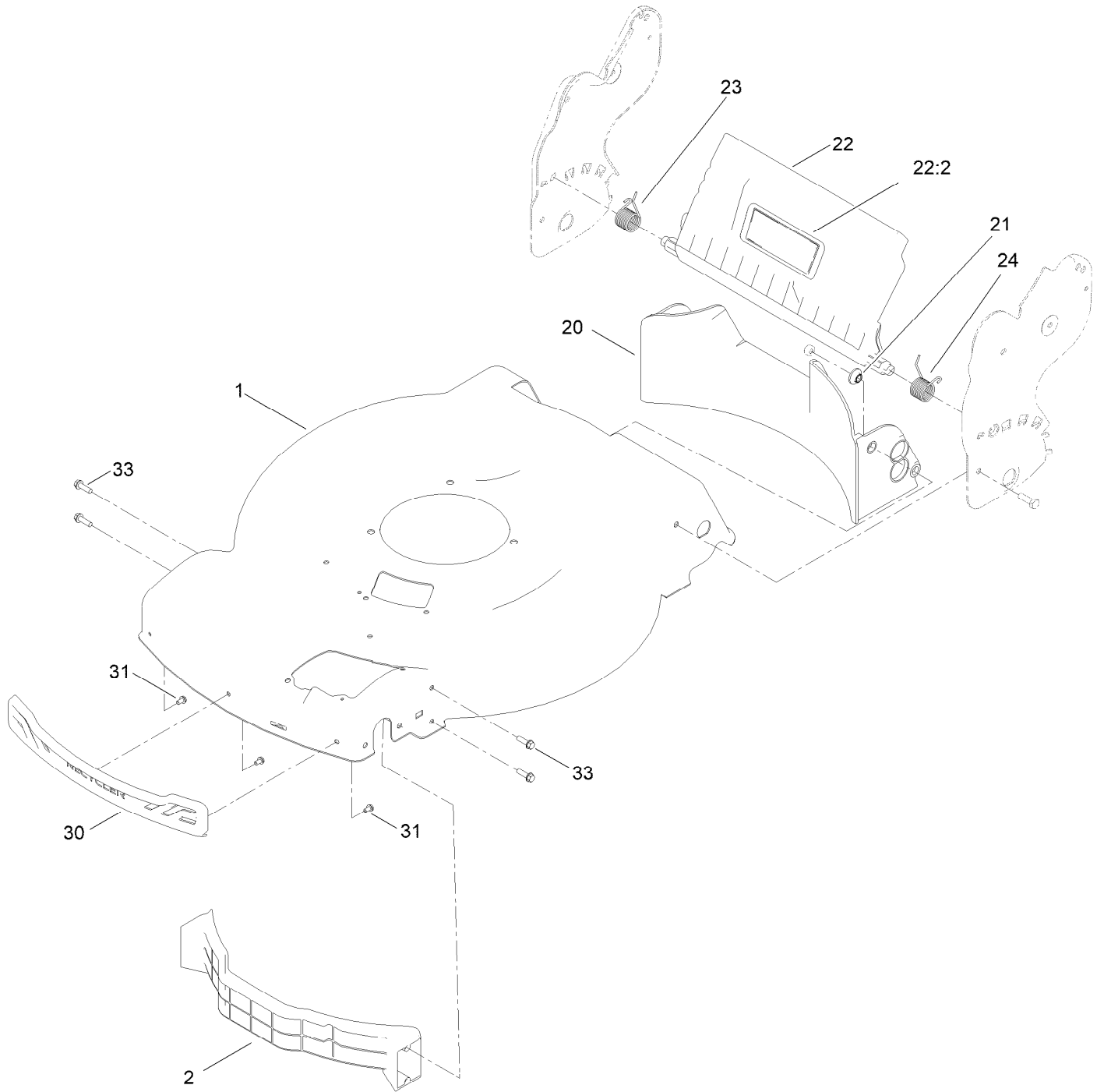
In an illustration, if a reference number indicates more than one part, the reference number has the form nX y. The n represents the quantity of the part, the X is the multiplication symbol, and the y represents the reference number.

For example, in an illustration, the reference number 2X 37 means that two of the parts identified by reference number 37 are indicated.

Contents

| | |
|--|----|
| Housing Assembly | 4 |
| Rear Bag Assembly | 6 |
| Decal Assembly | 8 |
| Engine and Blade Assembly | 10 |
| Front Wheel and Height-of-Cut Assembly | 12 |
| Rear Wheel and Height-of-Cut Assembly | 14 |
| Handle Assembly | 16 |
| Attachments and Accessories | 18 |

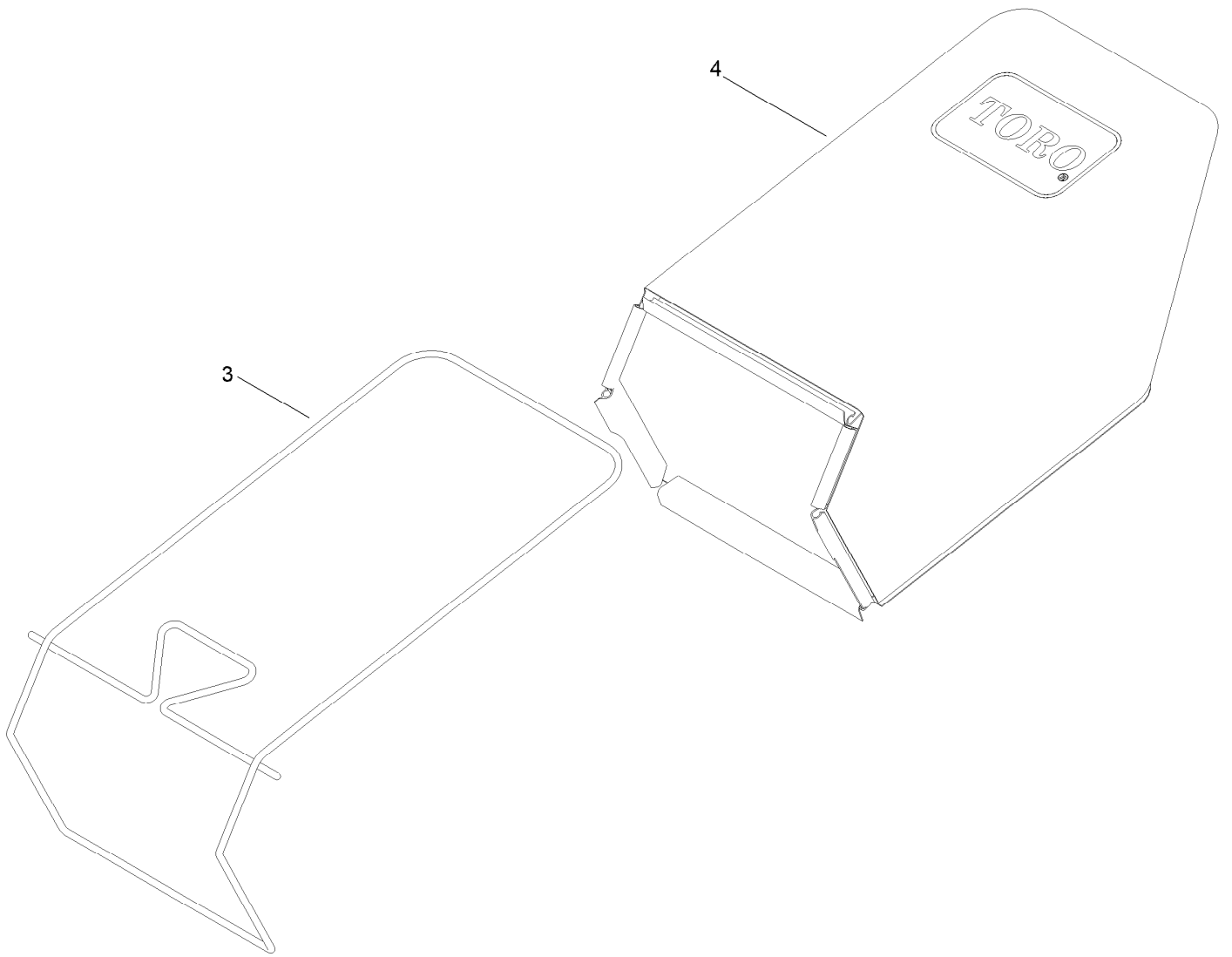
Housing Assembly



Housing Assembly (continued)

| <i>Ref.</i> | <i>Part Number</i> | <i>Qty.</i> | <i>Description</i> | <i>Ref.</i> | <i>Part Number</i> | <i>Qty.</i> | <i>Description</i> |
|-------------|--------------------|-------------|------------------------|-------------|--------------------|-------------|--------------------|
| 1 | 144-3191 | 1 | Housing ASM | 23 | 140-4197 | 1 | Spring-Torsion |
| 2 | 144-6427 | 1 | Baffle-Front | 24 | 140-4198 | 1 | Spring-Torsion |
| 20 | 140-3906 | 1 | Baffle-Rear, Fwd | 30 | 139-5457 | 1 | Bumper-Front |
| 21 | 117-5991 | 2 | Washer-Stepped, Baffle | 31 | 139-5467 | 3 | Screw-Plastic, HWH |
| 22 | 136-7003 | 1 | Rear Deflector ASM | 33 | 46-8091 | 4 | Screw-HWH |
| 22:2 | 131-4514 | 1 | Decal-Warning | | | | |

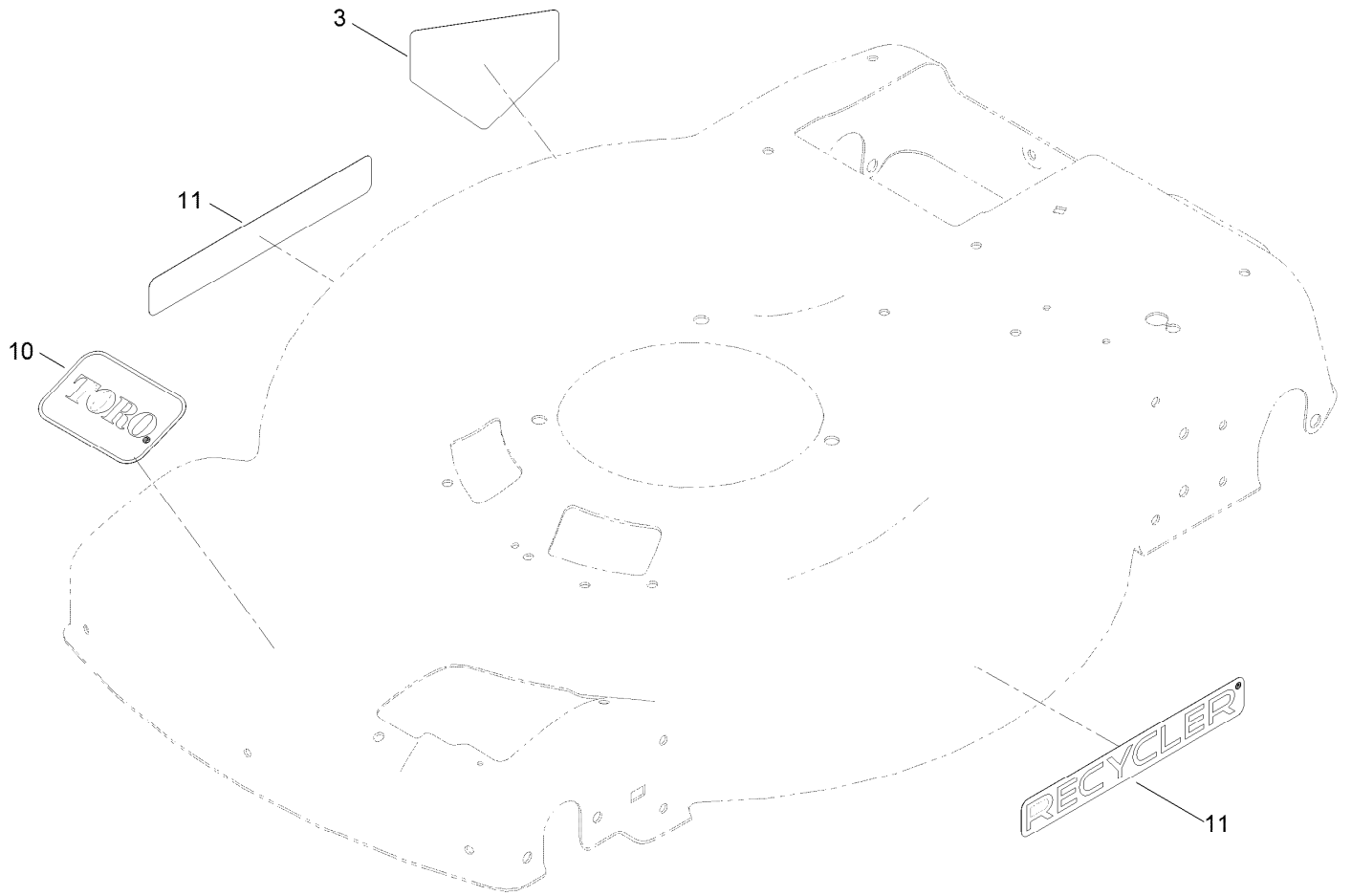
Rear Bag Assembly



Rear Bag Assembly (continued)

| <i>Ref.</i> | <i>Part Number</i> | <i>Qty.</i> | <i>Description</i> |
|-------------|--------------------|-------------|------------------------|
| 3 | 140-3931-03 | 1 | Bag Frame ASM (Welded) |
| 4 | 140-3933 | 1 | Grass Bag ASM |

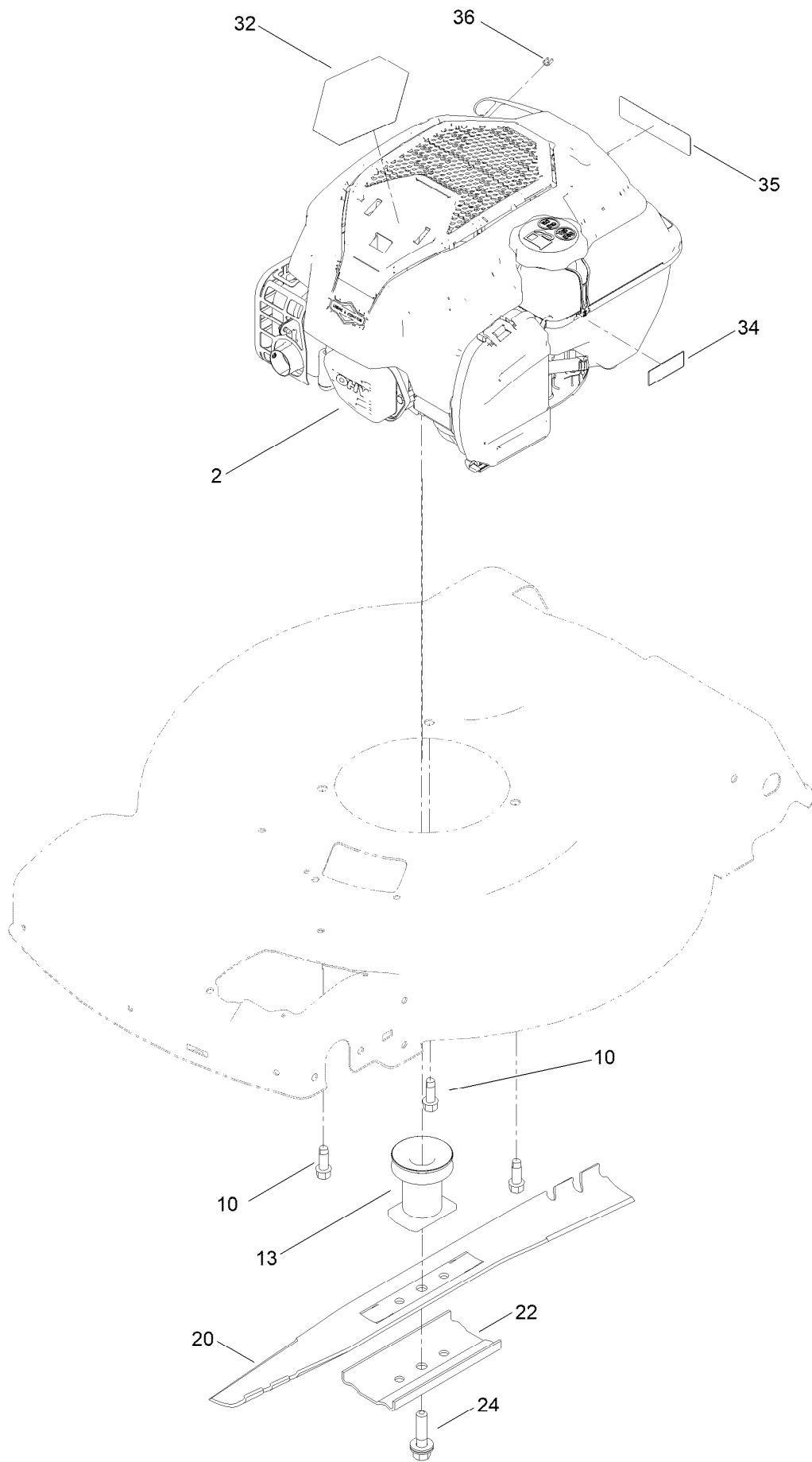
Decal Assembly



Decal Assembly (continued)

| <i>Ref.</i> | <i>Part Number</i> | <i>Qty.</i> | <i>Description</i> |
|-------------|--------------------|-------------|--------------------|
| 3 | 94-8072 | 1 | Decal-Danger |
| 10 | 140-4183 | 1 | Decal |
| 11 | 140-4184 | 2 | Decal |

Engine and Blade Assembly



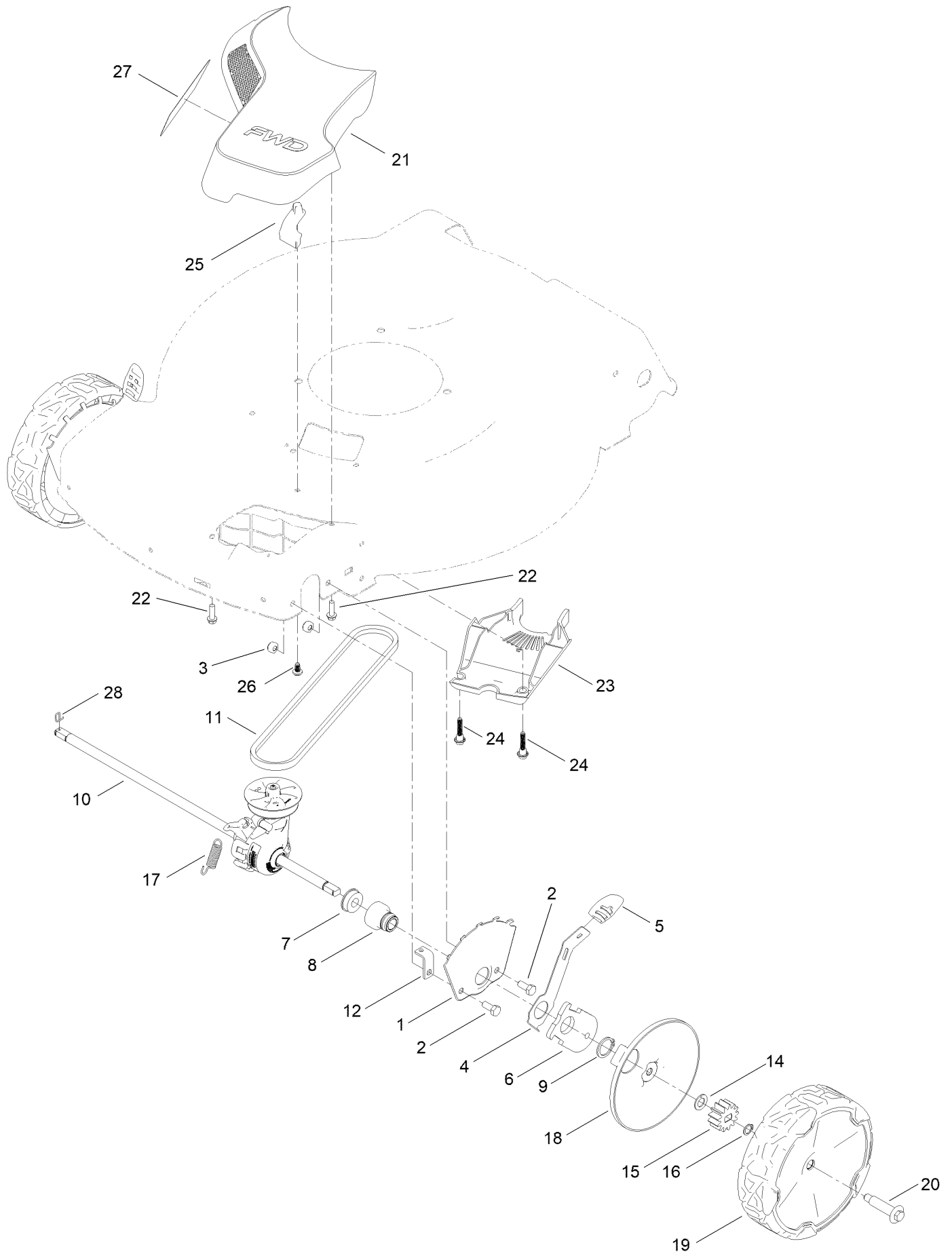
Engine and Blade Assembly (continued)

| <i>Ref.</i> | <i>Part Number</i> | <i>Qty.</i> | <i>Description</i> | <i>Ref.</i> | <i>Part Number</i> | <i>Qty.</i> | <i>Description</i> |
|-------------|--------------------|-------------|-------------------------------------|-------------|--------------------|-------------|-------------------------|
| 2 | | 1 | Engine-Briggs, 625 Exi Zs SS ● ■ | 24 | 125-2466 | 1 | Bolt-Blade |
| 10 | 95-1726 | 3 | Screw-Taptite | 32 | 140-4247 | 1 | Decal-Briggs 625 Exi SS |
| 13 | 140-3975 | 1 | Driver-Blade | 34 | 133-8198 | 1 | Decal-Level, Fuel |
| 20 | 131-4547-03 | 1 | Blade-22 Inch | 35 | 133-8062 | 1 | Decal-Spark Arrestor |
| 22 | 108-3766-03 | 1 | Support-Blade | 36 | 2210-316 | 1 | Stop-Rope |

● Not serviced separately

■ Obtain parts from www.briggsandstratton.com

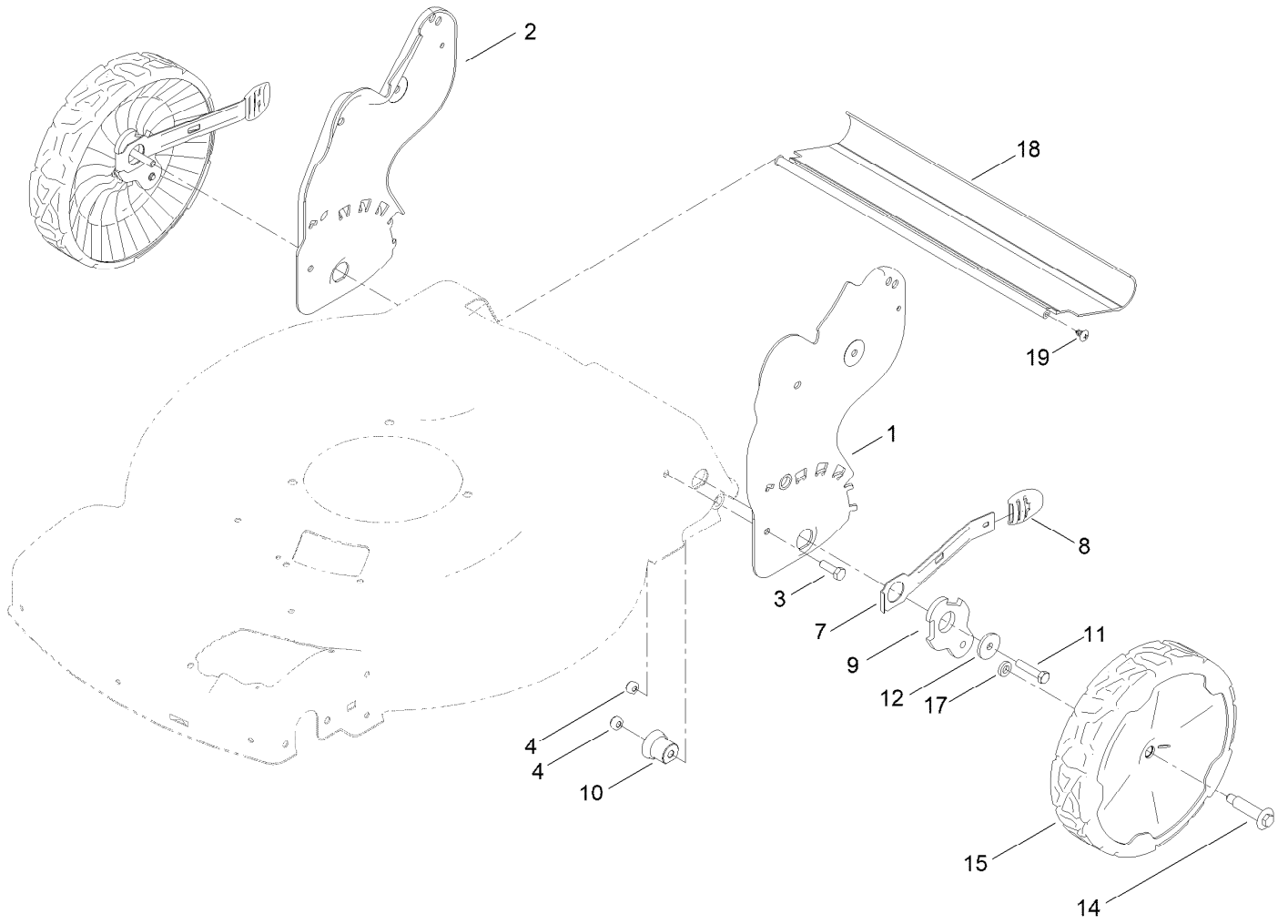
Front Wheel and Height-of-Cut Assembly



Front Wheel and Height-of-Cut Assembly (continued)

| <i>Ref.</i> | <i>Part Number</i> | <i>Qty.</i> | <i>Description</i> | <i>Ref.</i> | <i>Part Number</i> | <i>Qty.</i> | <i>Description</i> |
|-------------|--------------------|-------------|-----------------------|-------------|--------------------|-------------|------------------------------|
| 1 | 115-1956-05 | 2 | Plate-HOC,Front Fsvq | 17 | 145-3863 | 1 | Spring-Extension |
| 2 | 322-3 | 4 | Screw-HH | 18 | 140-2364 | 2 | ASM-Cover, Wheel (Dk Gray) |
| 3 | 3296-29 | 4 | Nut-Lock, NI | 19 | 140-2358 | 2 | ASM-8" Wheel, Fwd (Bushings) |
| 4 | 105-1809 | 2 | Arm-Spring | 20 | 145-3899 | 2 | Wheel Bolt |
| 5 | 105-3042 | 2 | Knob-Lever, HOC | 21 | 144-0215 | 1 | ASM-Intake, Fwd |
| 6 | 137-9128 | 2 | Arm-Pivot, Front | 22 | 46-8091 | 3 | Screw-HWH |
| 7 | 104-8699 | 2 | Bearing-Ball | 23 | 140-2389 | 1 | Cover-Belt, Lower (Awd) |
| 8 | 131-0836 | 2 | Retainer-Bearing, HOC | 24 | 131-0837 | 2 | Screw-Shoulder, HHF |
| 9 | 32151-36 | 2 | Ring-Retaining | 25 | 144-6371 | 1 | Pad-Stop |
| 10 | 139-6562 | 1 | Transmission-Fwd | 26 | 139-1679 | 1 | Screw-Plastic,PH |
| 11 | 117-1018 | 1 | V-Belt | 27 | 140-4186 | 1 | Decal |
| 12 | 144-6392 | 1 | Tab-Mount, Cable | 28 | 130-2369 | 1 | Pin-Snap |
| 14 | 110-7191 | 2 | Washer-Thrust | | | | |
| 15 | 131-0896 | 2 | Gear-Pinion, 13T | | | | |
| 16 | 32151-61 | 1 | Ring-Retaining | | | | |

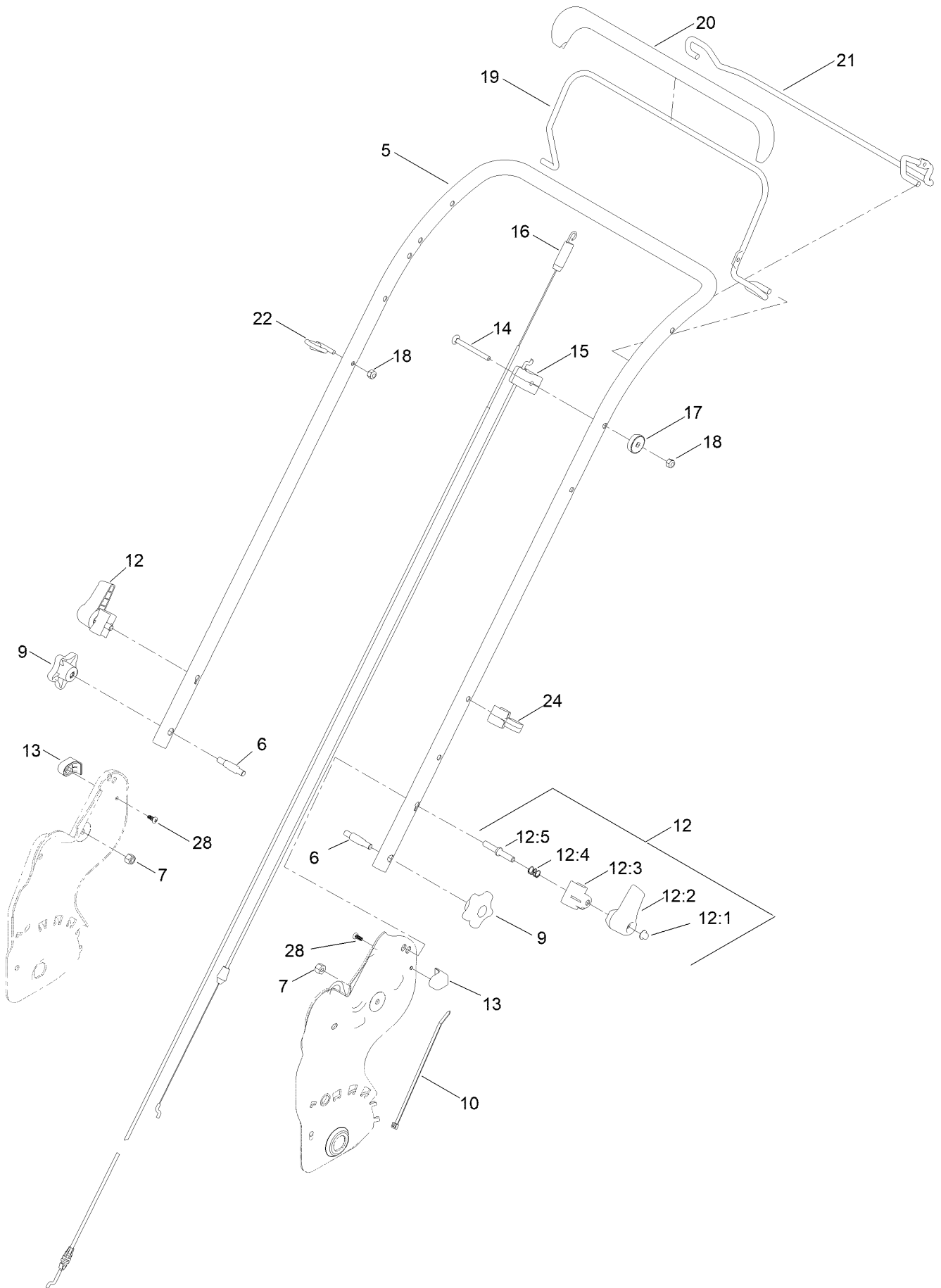
Rear Wheel and Height-of-Cut Assembly



Rear Wheel and Height-of-Cut Assembly (continued)

| <i>Ref.</i> | <i>Part Number</i> | <i>Qty.</i> | <i>Description</i> | <i>Ref.</i> | <i>Part Number</i> | <i>Qty.</i> | <i>Description</i> |
|-------------|--------------------|-------------|--------------------------------|-------------|--------------------|-------------|---------------------------|
| 1 | 140-3910-05 | 1 | Plate-HOC, Fwd LH [blk-Txt] | 10 | 131-0895 | 2 | Bushing-Mount, HOC |
| 2 | 140-3911-05 | 1 | Plate-HOC, Fwd RH [blk-Txt] | 11 | 322-7 | 2 | Screw-HH |
| 3 | 322-5 | 2 | Screw-HH | 12 | 105-3048 | 2 | Washer-Flat |
| 4 | 3296-29 | 4 | Nut-Lock, NI | 14 | 145-3899 | 2 | Wheel Bolt |
| 7 | 115-2899 | 2 | Arm-Spring, Rear | 15 | 140-2351 | 2 | ASM-9.65" Wheel, Bushings |
| 8 | 105-3042 | 2 | Knob-Lever, HOC | 17 | 139-5449 | 2 | Washer-Wheel Bolt |
| 9 | 140-3878 | 2 | Arm-Pivot, Rear | 18 | 144-6431 | 1 | Shield-Trailing |
| | | | | 19 | 117-1092 | 2 | Screw-PTH |

Handle Assembly



Handle Assembly (continued)

| <i>Ref.</i> | <i>Part Number</i> | <i>Qty.</i> | <i>Description</i> | <i>Ref.</i> | <i>Part Number</i> | <i>Qty.</i> | <i>Description</i> |
|-------------|--------------------|-------------|-----------------------|-------------|--------------------|-------------|---------------------|
| 5 | 144-6516-05 | 1 | Handle-Curved | 14 | 144-0221 | 1 | Screw-CARR |
| 6 | 139-6588 | 2 | Bolt-Shoulder, Handle | 15 | 140-3948 | 1 | Cable-Brake, Fwd |
| 7 | 3296-29 | 2 | Nut-Lock, NI | 16 | 140-3947 | 1 | Cable-Traction, Fwd |
| 9 | 117-5976 | 2 | Knob-Handle | 17 | 136-9075 | 1 | Washer-Curved |
| 10 | 614249 | 1 | Tie-Cable | 18 | 3296-73 | 2 | Nut-Lock, NI |
| 12 | 138-3249 | 2 | Quick Release ASM | 19 | 140-3918-03 | 1 | Bail-Brake |
| 12:1 | 140-4157 | 1 | Nut-Push | 20 | 140-3879 | 1 | Cover-Bail |
| 12:2 | 138-3248 | 1 | Lever-Release | 21 | 140-4024-03 | 1 | Bail-Traction |
| 12:3 | 138-3253 | 1 | Anchor-Spring | 22 | 86-9671 | 1 | Guide-Rope |
| 12:4 | 115-2858 | 1 | Spring-Compression | 24 | 114-7988 | 1 | Guide-Cable |
| 12:5 | 140-4158 | 1 | Rod-Release | 28 | 107-7461 | 2 | Screw-Plastite |
| 13 | 140-2369 | 2 | Pad-Smart Stow | | | | |

Attachments and Accessories

For 21445 22in Recycler Lawn Mower with SmartStow

| Product Name | Model/Part |
|--|-------------------|
| Fuel Stabilizer .05 oz | 130-2393 |
| Briggs Maint Kit..... | 130-8148 |
| 4-Cycle Fuel, Snow And Lawn 32oz Can | 131-3823 |
| Toro Premium Fuel Treatment 12oz Bottle..... | 131-6572 |
| Oil-30/10W-30 Synthetic (Quart)..... | 138-6053 |
| SD Chute ASM | 145-1538 |
| Lawn Striping Kit with 22in Roller..... | 20601 |
| Toro 4-Cycle SAE 30 Oil (32oz Bottle) | 38903 |
| Summer Oil-Case of 24 (20oz Bottles)..... | 38916 |
| Smart Stow Walk Power Mower Cover | 490-2012 |
| Bag-Walk Behind (Toro)..... | 490-7318 |
| 22 Inch Atomic Blade..... | 59534P |

For 21445 22in Recycler Lawn Mower with SmartStow

| Product Name | Model/Part |
|--|-------------------|
| Fuel Stabilizer .05 oz | 130-2393 |
| Briggs Maint Kit..... | 130-8148 |
| 4-Cycle Fuel, Snow And Lawn 32oz Can | 131-3823 |
| Toro Premium Fuel Treatment 12oz Bottle..... | 131-6572 |
| Oil-30/10W-30 Synthetic (Quart)..... | 138-6053 |
| SD Chute ASM | 145-1538 |
| Lawn Striping Kit with 22in Roller..... | 20601 |
| Toro 4-Cycle SAE 30 Oil (32oz Bottle) | 38903 |
| Summer Oil-Case of 24 (20oz Bottles)..... | 38916 |
| Smart Stow Walk Power Mower Cover | 490-2012 |
| Bag-Walk Behind (Toro)..... | 490-7318 |
| 22 Inch Atomic Blade..... | 59534P |

Notes:



Count on it.