



Count on it.

Parts Catalog

TRX-16 Trencher

Model No. 22972—Serial No. 414861000 and Up



Ordering Replacement Parts

To order replacement parts, please supply the part number, the quantity, and the description of each part desired.

Understanding Reference Numbers

Each identified part in an illustration has a reference number. The reference number for a part also appears in the parts list, along with other information about the part.

This catalog uses two special reference number formats, one to indicate parts in a service assembly and another to indicate the quantity of a given part in an illustration.

Service Assembly Reference Numbers

Parts in service assemblies have reference numbers in the form a:b. The a represents the reference number of the entire service assembly and the b represents a sequential number unique to each part within the service assembly.

For example, a wheel assembly might be identified by reference number 6, the tire by 6:1, the valve by 6:2, and the wheel by 6:3. When you order the assembly identified by reference number 6, you receive all parts identified by reference numbers 6:1, 6:2, and 6:3. However, you may also order any part individually. Reference numbers of this type appear in illustration and in parts lists.

Reference Numbers Indicating Quantity

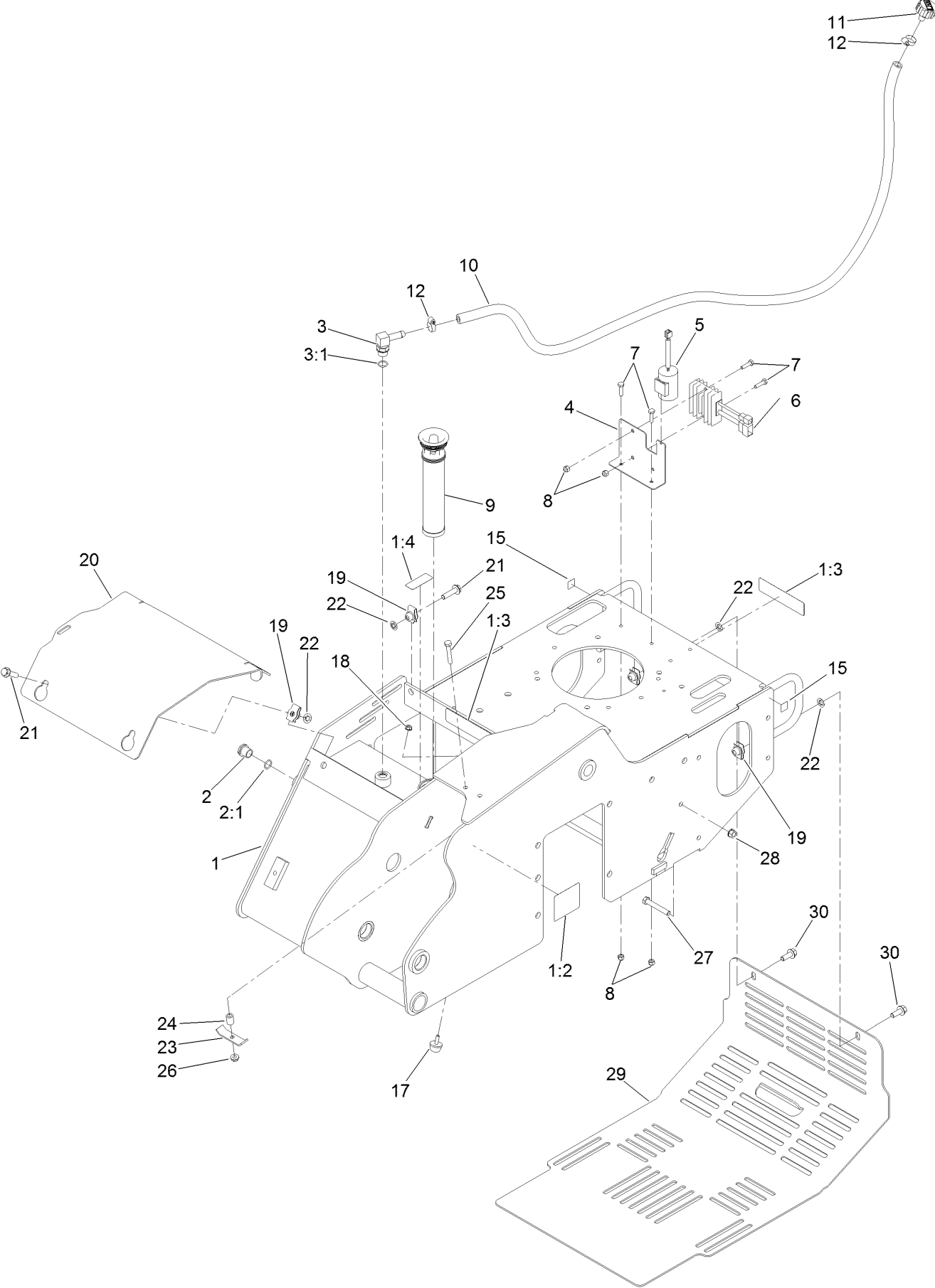
In an illustration, if a reference number indicates more than one part, the reference number has the form nX y. The n represents the quantity of the part, the X is the multiplication symbol, and the y represents the reference number.

For example, in an illustration, the reference number 2X 37 means that two of the parts identified by reference number 37 are indicated.

Contents

Main Frame Assembly	4
Tower and Fuel Tank Assembly	6
Track Drive Assembly	8
Hydraulic Pump Assembly No. 117-6409	10
Hydraulic Pump Assembly No. 117-6410	12
Hydraulic Motor Assembly No. 104-8470	14
Parking Brake Assembly	16
Engine Assembly	18
Gear Pump, Idler Arm and Pulley Assembly	20
Gear Pump Assembly No. 114-3072	22
Hydraulic Control Assembly	24
2-Spool Valve Assembly No. 115-4062	26
Hydraulic Cylinder Assembly No. 121-1955	28
Hydraulic Motor Assembly No. 131-0652	30
Hydraulic Oil Cooler Assembly	32
Trencher Head and Auger Assembly	34
Traction Control Assembly	36
Engine Wire Harness Assembly	38
Attachments and Accessories	40

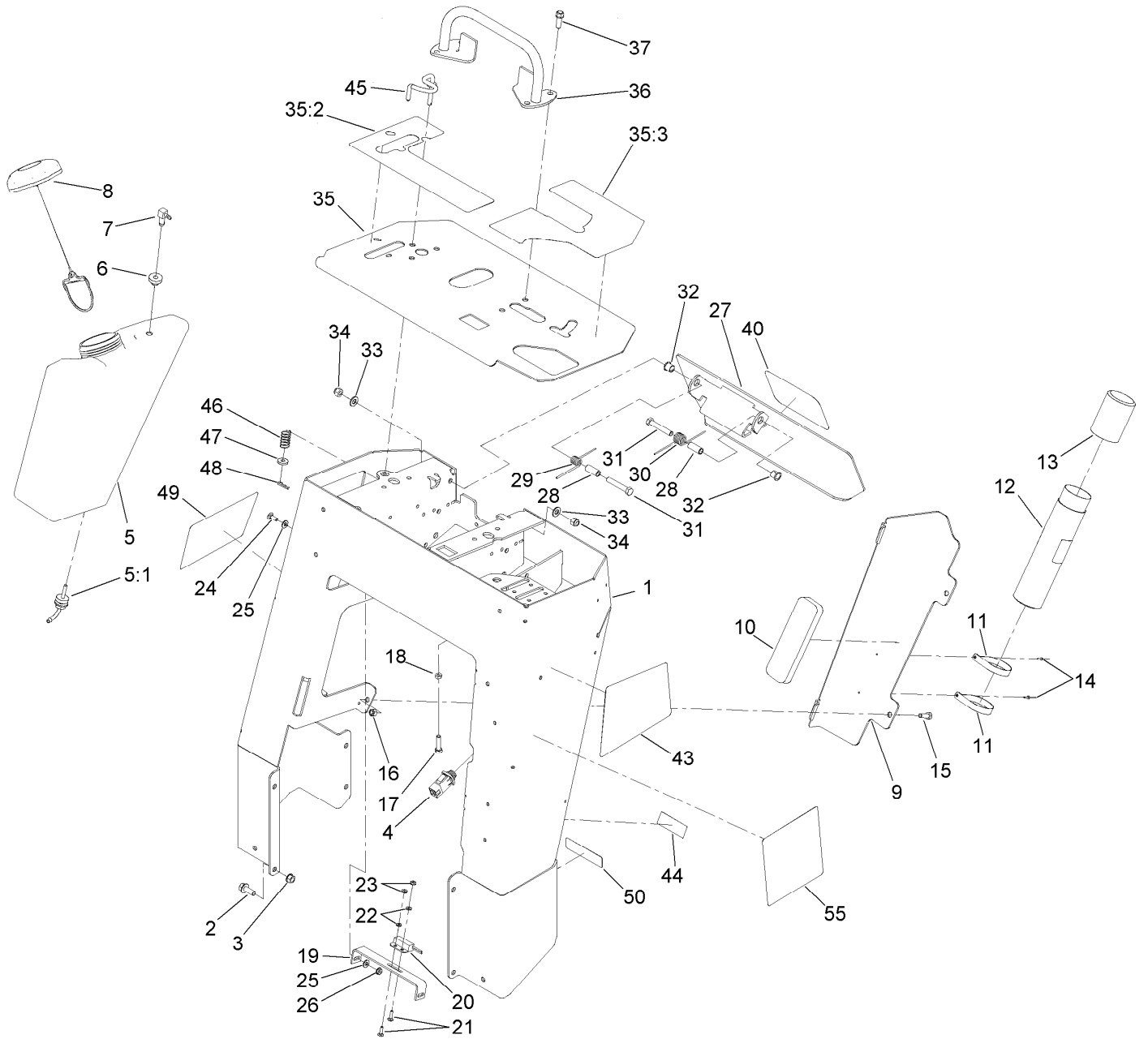
Main Frame Assembly



Main Frame Assembly (continued)

<i>Ref.</i>	<i>Part Number</i>	<i>Qty.</i>	<i>Description</i>	<i>Ref.</i>	<i>Part Number</i>	<i>Qty.</i>	<i>Description</i>
1	127-9602	1	Main Frame ASM	12	2412-36	2	Clamp-Hose
1:2	100-4650	1	Decal-Warning	15	93-9084	2	Decal-Point, Lift
1:3	93-7814	2	Decal-Danger	17	1-523420	1	Bumper
1:4	93-6686	1	Decal-Oil, HYD	18	32128-33	1	Nut-HF
2	114-3075	1	Sight Glass ASM	19	140-1146	5	Nut-Clip, U
2:1	237-79	1	O-Ring	20	119-4566-03	1	Plate-Cover, Front
3	354-120	1	Fitting-Elbow, 90	21	33105-040	3	Screw-HHF
3:1	237-79	1	O-Ring	22	140-1144	5	Nut-Push
4	117-6399-01	1	Bracket-Electrical	23	100-4860	1	Bracket-Clamp
5	117-6397	1	Condenser (F/W Engine)	24	93-5023	1	Spacer
6	117-6398	1	Regulator (F/W Engine)	25	322-10	1	Screw-HH
7	321-6	4	Screw-HH	26	32128-20	1	Nut-HF
8	3296-42	4	Nut-Lock, NI	27	323-12	1	Screw-HH
9	114-3039	1	Filter-Tank, In	28	32128-40	2	Nut-Flange
10	114-3042	1	Hose-Breather	29	115-6503-01	1	Cover-Rear
11	68-6150	1	Breather	30	108-1531	2	Screw-HHF

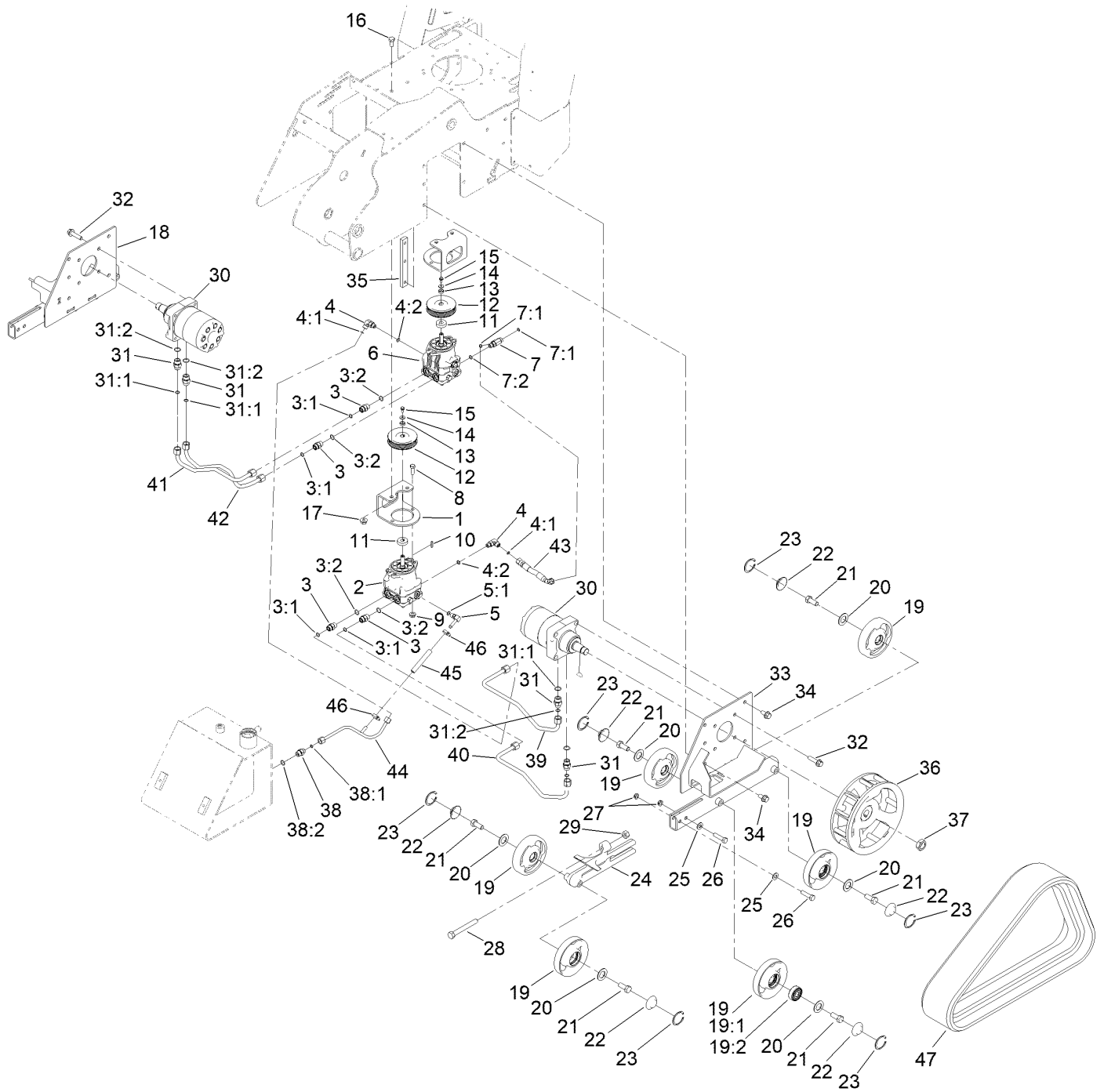
Tower and Fuel Tank Assembly



Tower and Fuel Tank Assembly (continued)

<i>Ref.</i>	<i>Part Number</i>	<i>Qty.</i>	<i>Description</i>	<i>Ref.</i>	<i>Part Number</i>	<i>Qty.</i>	<i>Description</i>
1	117-6419-01	1	Tower	25	3256-22	4	Washer-Flat
2	3234-11	8	Screw-HHF	26	32149-2	2	Nut-Keps
3	32128-40	8	Nut-Flange	27	114-3012-03	1	Plate-Reverse
4	100-1268	1	Switch-Plunger	28	114-1337	2	Spacer-Spring
5	120-7357	1	Tank-Fuel	29	98-8425	1	Spring-Torsion, LH
5:1	103-2605	1	Fitting-Fuel, Bulkhead	30	98-8424	1	Spring-Torsion, RH
6	46-6560	1	Bushing	31	323-11	2	Screw-HH
7	104-5228	1	Fitting-Elbow, 90 DEG	32	256-257	2	Bushing-Nyliner
8	137-4119	1	Cap-Fuel, Ratcheting	33	3256-24	2	Washer-Plain
9	114-3065-01	1	Bracket-Cover, Tank	34	3296-39	2	Nut-Lock, NI
10	107-7507	1	Pad-Foam	35	117-6389	1	Panel-Control
11	2412-120	2	Clamp-R	35:2	115-1231	1	Decal-Console, RH
12	104-7050	1	Tube-Manual	35:3	115-1230	1	Decal-Console, LH
13	104-7048	1	Cap-Housing	36	106-7715	1	Bar-Reference
14	3269-17	2	Rivet-Pop	37	95-1726	4	Screw-Taptite
15	322-5	2	Screw-HH	40	105-1217	1	Decal
16	3296-29	2	Nut-Lock, NI	43	117-6281	1	Decal-Side, LH
17	3210-7	1	Screw-HH	44	120-7531	1	Decal-Info
18	3220-2	1	Nut-Jam	45	114-8727	1	Rod-Interlock
19	100-1263	1	Plate-Switch	46	85-6750	1	Spring-Control
20	100-1270	1	Switch-Proximity	47	88-7200	1	Washer-Flat
21	3229-20	2	Screw-CARR	48	3290-307	1	Pin-Cotter
22	3256-51	2	Washer-Flat	49	117-6270	1	Decal-Side, RH
23	32149-7	2	Nut-Keps	50	133-8062	1	Decal-Spark Arrestor
24	3229-1	2	Screw-CARR	55	137-3873	1	Decal-Service

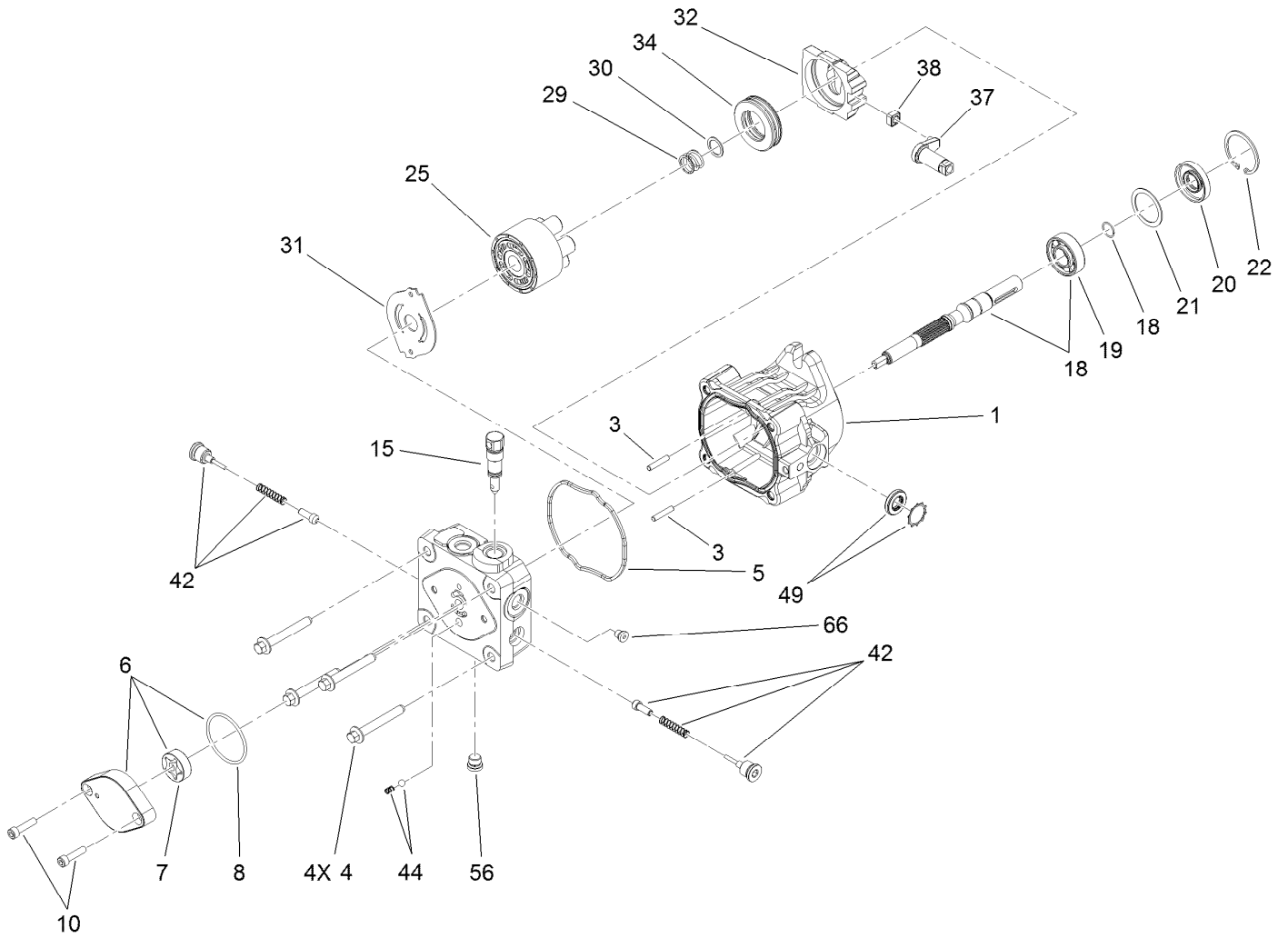
Track Drive Assembly



Track Drive Assembly (continued)

<i>Ref.</i>	<i>Part Number</i>	<i>Qty.</i>	<i>Description</i>	<i>Ref.</i>	<i>Part Number</i>	<i>Qty.</i>	<i>Description</i>
1	115-1289-03	2	Bracket-Mount, Pump	22	106-7557	12	Cap-Wheel, Bearing
2	117-6409	1	RH HYD Pump ASM	23	106-7595	12	Ring-Snap, Internal
3	340-4	4	Fitting-Straight	24	114-3077-03	2	Tensioner-Track
3:1	237-30	1	O-Ring	25	3256-26	4	Washer-Flat
3:2	237-79	1	O-Ring	26	325-8	4	Screw-HH
4	340-77	2	Fitting-Elbow, 90 DEG	27	3296-45	4	Nut-Hex
4:1	237-22	1	O-Ring	28	112-4874	2	Screw-HH, TAP
4:2	237-42	1	O-Ring	29	3217-11	2	Nut-Hex
5	100-4887	1	Fitting-Elbow, 90	30	104-8470	2	HYD Wheel Motor ASM
5:1	237-42	1	O-Ring	31	340-6	4	Fitting-Straight
6	117-6410	1	LH HYD Pump ASM	31:1	237-30	1	O-Ring
7	340-86	1	Fitting-Tee	31:2	237-80	1	O-Ring
7:1	237-22	2	O-Ring	32	3234-27	8	Screw-HHF
7:2	237-42	1	O-Ring	33	114-2992-03	1	Frame-Track, LH
8	324-5	4	Screw-HH	34	3234-6	10	Screw-HHF
9	32128-42	4	Nut-HF	35	114-3091	2	Bar-Thread
10	80-6090	2	Key-Pump	36	117-6426-03	2	Wheel-Drive
11	115-4002	2	Spacer	37	106-8159	2	Nut-Hex Jam Lck
12	115-1298	2	Sheave	38	340-3	1	Fitting-Straight
13	108-4211	2	Bushing	38:1	237-22	1	O-Ring
14	73-3580	2	Washer	38:2	237-79	1	O-Ring
15	33103-016	2	Screw-HHF	39	115-1285	1	Tube-HYD
16	325-4	4	Screw-HH	40	115-1286	1	Tube-HYD
17	32128-49	8	Nut-HHF	41	115-1287	1	Tube-HYD
18	114-2993-03	1	Frame-Track, RH	42	115-1288	1	Tube-HYD
19	138-3139	12	Tensioner Wheel ASM	43	115-1297	1	Hose-HYD
19:1	138-7118	1	Wheel-Track	44	117-1305	1	Tube-HYD
19:2	120-5378	1	Bearing-Ball	45	115-4083	1	Hose
20	106-7585	12	Gasket-Bogie	46	2412-36	2	Clamp-Hose
21	327-4	12	Screw-HH	47	112-4816	2	Track-Rubber

Hydraulic Pump Assembly No. 117-6409

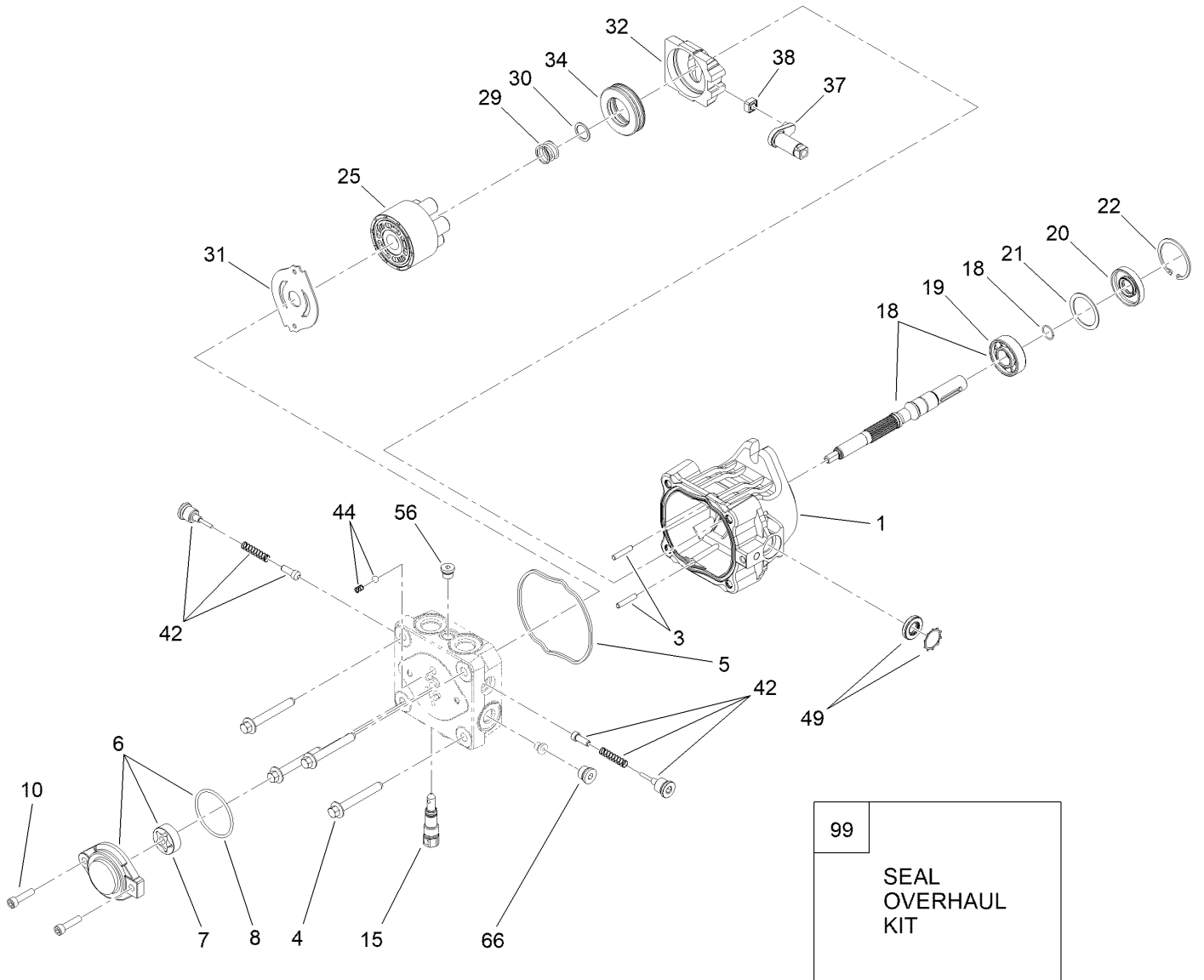


Hydraulic Pump Assembly No. 117-6409 (continued)

<i>Ref.</i>	<i>Part Number</i>	<i>Qty.</i>	<i>Description</i>	<i>Ref.</i>	<i>Part Number</i>	<i>Qty.</i>	<i>Description</i>
1	115-4464	1	Housing Kit	29	94-1936	1	Spring-Block
3	106-8753	2	Pin-Headless, Straight	30	94-1937	1	Washer-Thrust
4	106-8754	4	Bolt-HF	31	105-6185	1	Plate-Valve
5	106-8755	1	O-Ring	32	94-1907	1	Swashplate-Variable
6	106-8756	1	Charge Pump Kit	34	94-6922	1	Bearing-Thrust
7	104-2122	1	Gerotor ASM	37	115-4458	1	Arm-Trunnion, Tapered Square
8	106-8757	1	O-Ring	38	94-1910	1	Guide-Slot
10	104-2111	2	Capscrew	42	98-3252	2	Valve-Check (W/Poppet)
15	106-8759	1	Bypass Valve Kit	44	106-8760	1	Charge Relief Valve Kit
18	103-2664	1	Input Shaft Kit	49	114-8155	1	Trunnion Seal Kit
19	104-5311	1	Bearing-Ball	56	106-8762	1	Plug-HSH
20	104-5310	1	Seal-Lip	66	106-8763	1	Plug-HSH
21	104-5308	1	Spacer	99	105-6184	1	Seal Overhaul Kit ●
22	104-5309	1	Ring-Retaining				
25	103-2666	1	Cylinder Block Kit				

● Not illustrated

Hydraulic Pump Assembly No. 117-6410

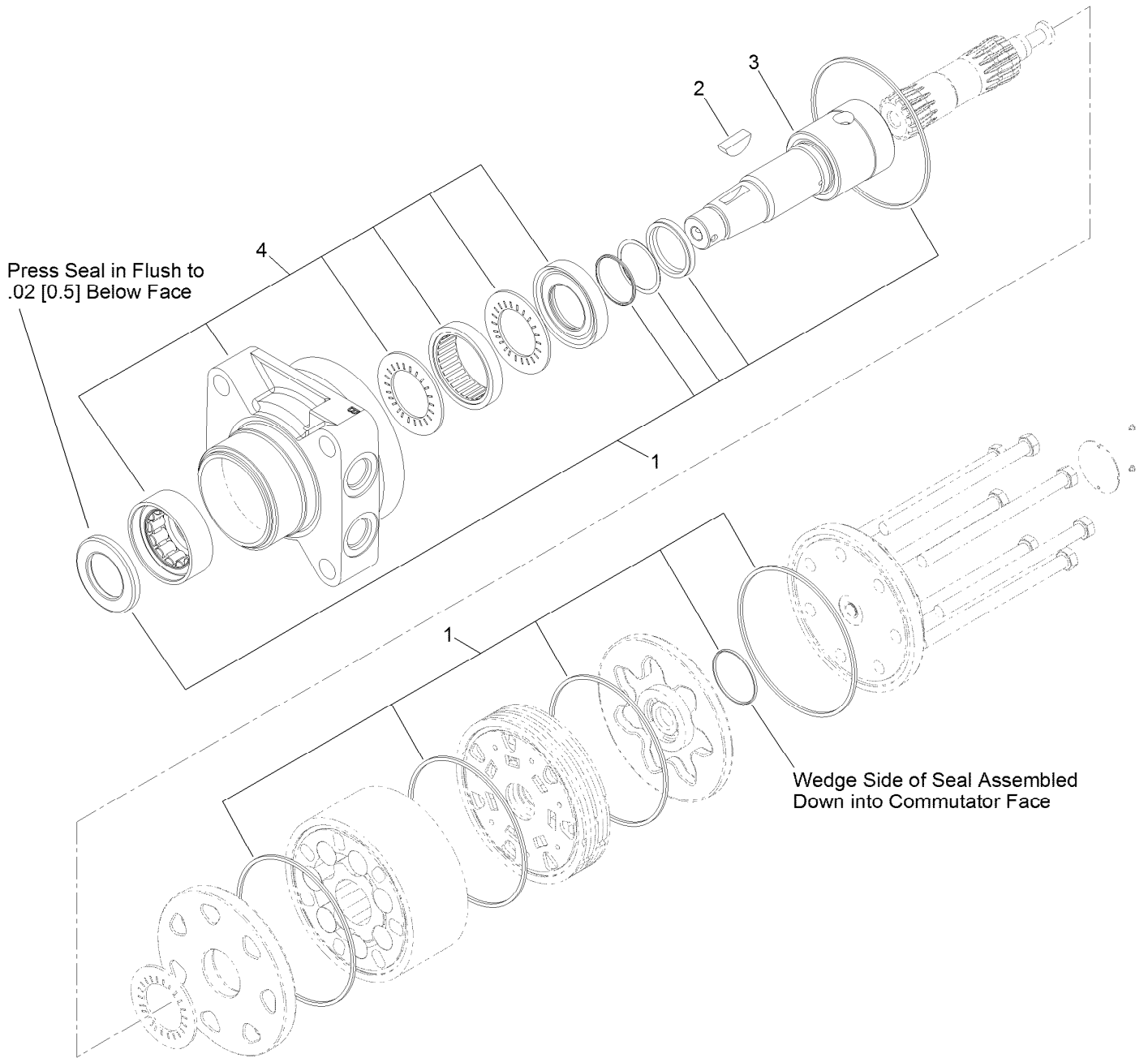


Hydraulic Pump Assembly No. 117-6410 (continued)

<i>Ref.</i>	<i>Part Number</i>	<i>Qty.</i>	<i>Description</i>	<i>Ref.</i>	<i>Part Number</i>	<i>Qty.</i>	<i>Description</i>
1	115-4464	1	Housing Kit	29	94-1936	1	Spring-Block
3	106-8753	2	Pin-Headless, Straight	30	94-1937	1	Washer-Thrust
4	106-8754	4	Bolt-HF	31	105-6185	1	Plate-Valve
5	106-8755	1	O-Ring	32	94-1907	1	Swashplate-Variable
6	106-8756	1	Charge Pump Kit	34	94-6922	1	Bearing-Thrust
7	104-2122	1	Gerotor ASM	37	115-4458	1	Arm-Trunnion, Tapered Square
8	106-8757	1	O-Ring	38	94-1910	1	Guide-Slot
10	104-2111	2	Capscrew	42	98-3252	2	Valve-Check (W/Poppet)
15	106-8759	1	Bypass Valve Kit	44	106-8760	1	Charge Relief Valve Kit
18	103-2664	1	Input Shaft Kit	49	114-8155	1	Trunnion Seal Kit
19	104-5311	1	Bearing-Ball	56	106-8762	1	Plug-HSH
20	104-5310	1	Seal-Lip	66	106-8763	1	Plug-HSH
21	104-5308	1	Spacer	99	105-6184	1	Seal Overhaul Kit ●
22	104-5309	1	Ring-Retaining				
25	103-2666	1	Cylinder Block Kit				

● Not illustrated

Hydraulic Motor Assembly No. 104-8470

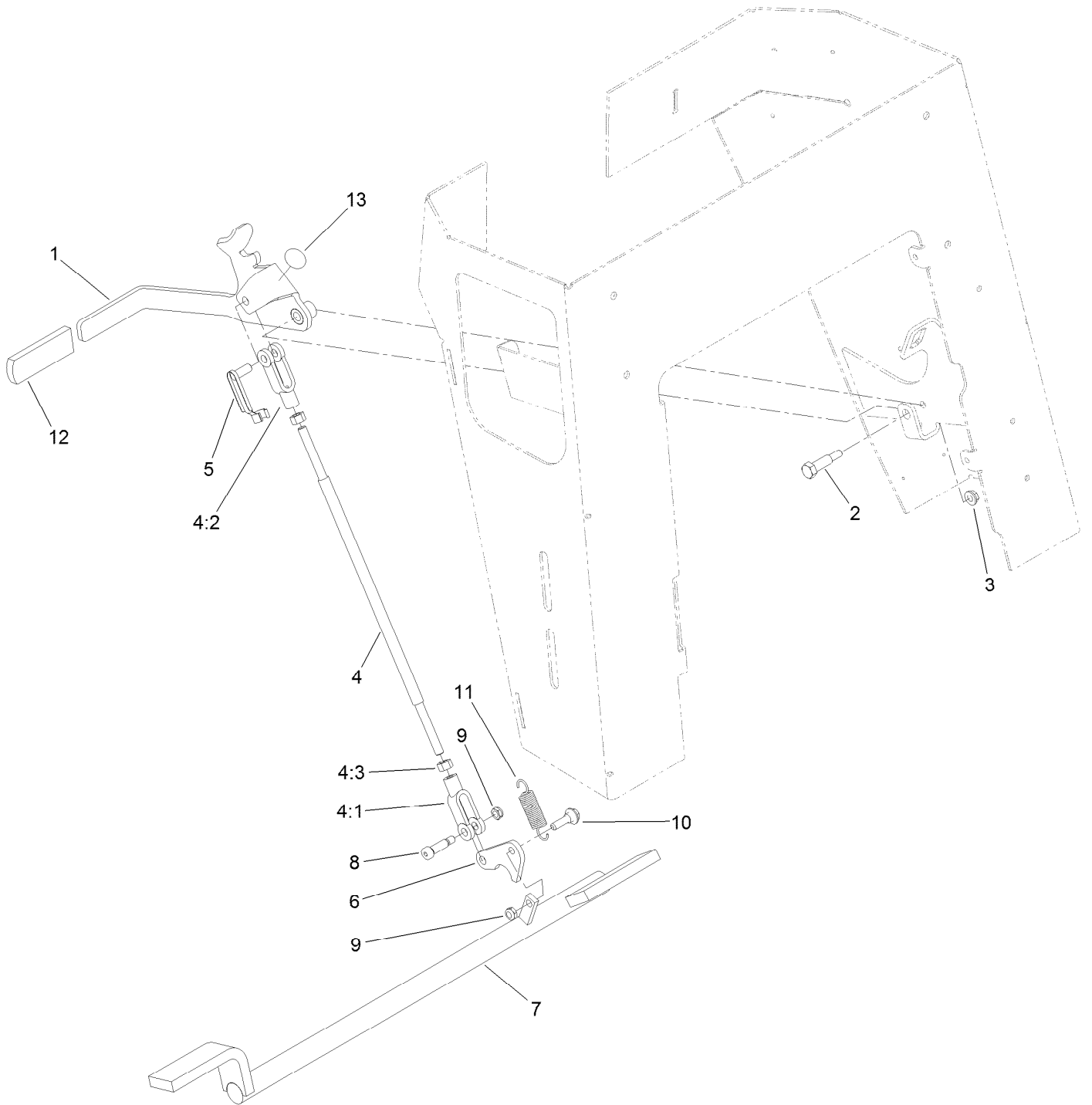


Hydraulic Motor Assembly No. 104-8470 (continued)

<i>Ref.</i>	<i>Part Number</i>	<i>Qty.</i>	<i>Description</i>
1	115-4061	1	Seal Kit
2	3257-42	1	Key-Woodruff

<i>Ref.</i>	<i>Part Number</i>	<i>Qty.</i>	<i>Description</i>
3	99-3090	1	Shaft-Coupling
4	120-5395	1	Motor Housing ASM

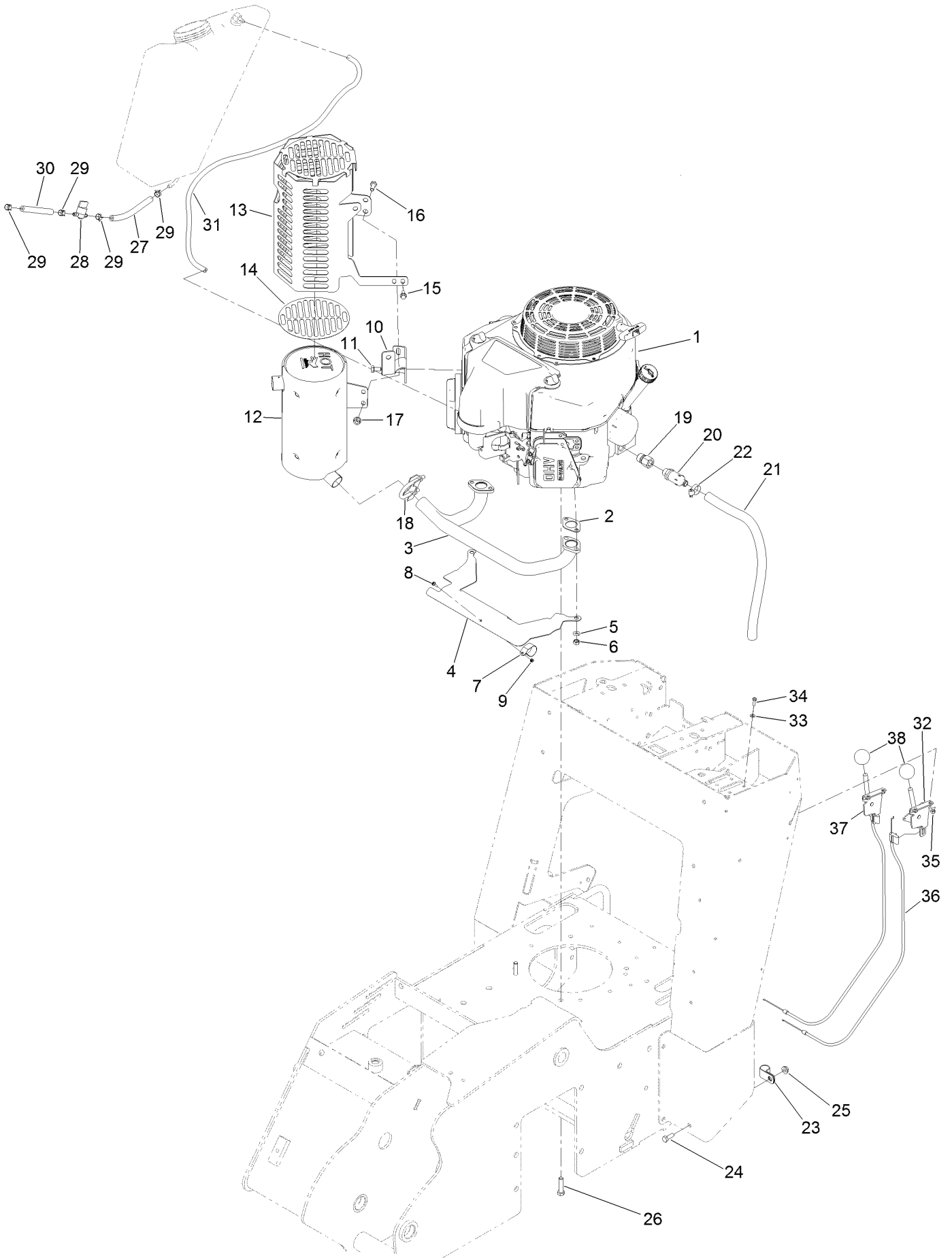
Parking Brake Assembly



Parking Brake Assembly (continued)

<i>Ref.</i>	<i>Part Number</i>	<i>Qty.</i>	<i>Description</i>	<i>Ref.</i>	<i>Part Number</i>	<i>Qty.</i>	<i>Description</i>
1	117-6421-03	1	Handle-Brake	6	114-2975	1	Link-Mounting
2	7-0030	1	Screw-Shoulder, HH	7	114-2972-03	1	Bar-Brake
3	32128-20	1	Nut-HF	8	114-8629	1	Bolt-Shldr
4	103-4335	1	Brake Rod ASM	9	3296-47	2	Nut-Lock,NI
4:1	1-633131	2	Yoke-Linkage, Brake	10	27-7211	1	Screw-Shoulder
4:2	103-3907	1	Linkage-Handle, Brake	11	67-1450	1	Spring-Idler
4:3	3219-3	2	Nut-Hex	12	62-9130	1	Grip-Handle
5	103-2399	1	Pin-Spring, Clevis	13	107-8495	1	Decal-Brake, Parking

Engine Assembly



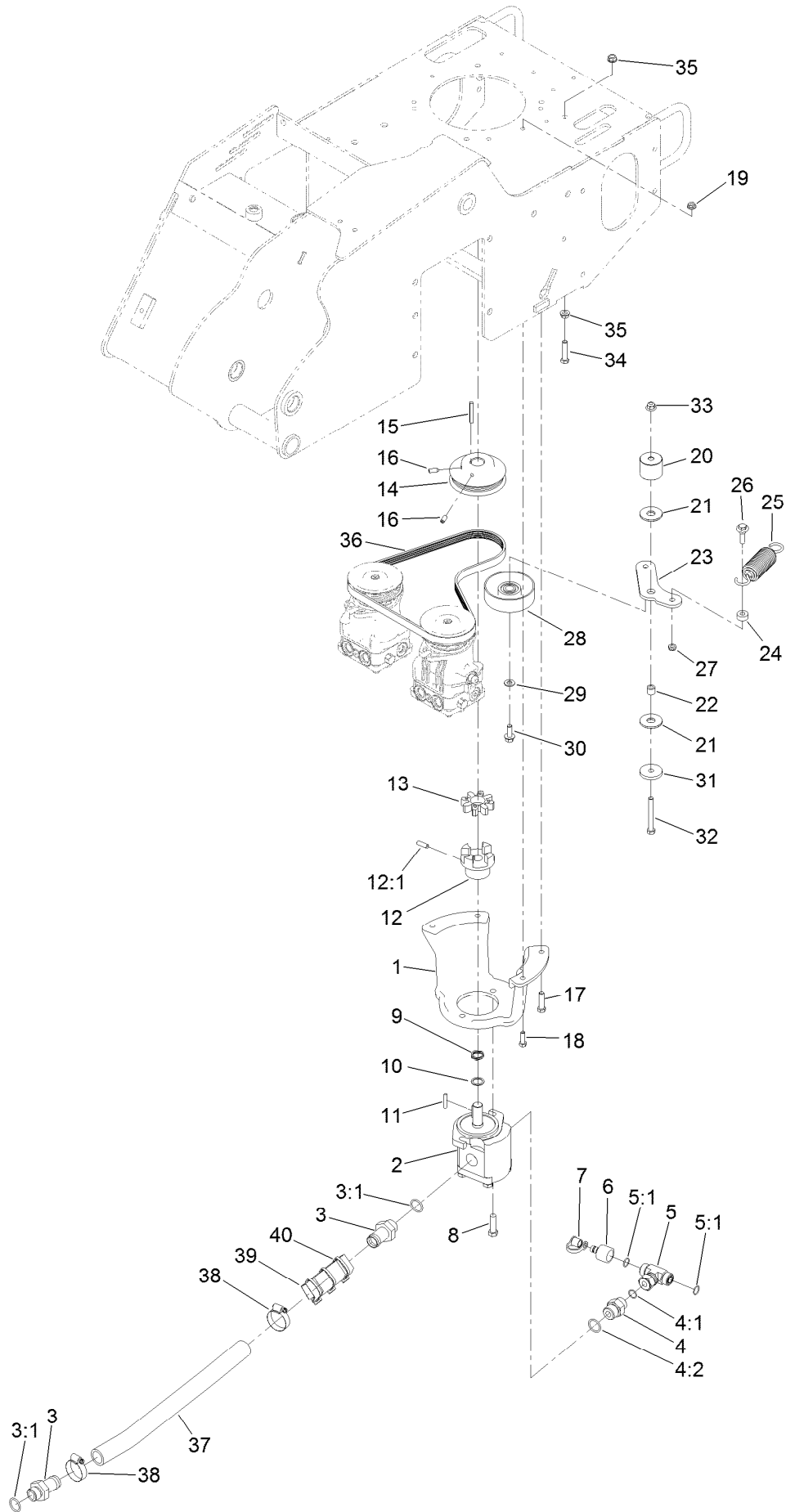
Engine Assembly (continued)

<i>Ref.</i>	<i>Part Number</i>	<i>Qty.</i>	<i>Description</i>	<i>Ref.</i>	<i>Part Number</i>	<i>Qty.</i>	<i>Description</i>
1		1	Engine-Kawasaki, Fs481V ●■	20	92-6877	1	Valve-Drain, Oil
2	1-653313	2	Gasket-Exhaust	21	106-5709	1	Hose-Vent
3	120-7537	1	Manifold-Muffler	22	2412-36	1	Clamp-Hose
4	131-0662	1	Plate-Shield, Heat	23	2412-81	1	Clamp-R
5	115-6496	4	Washer-Spring	24	322-4	1	Screw-HH
6	115-6611	4	Nut-Hex	25	32128-20	1	Nut-HF
7	115-6488	1	Clamp	26	323-8	2	Screw-HH
8	115-6494	1	Screw-Pan	27	109-0306	1	Hose-Fuel
9	115-6495	1	Nut-Hex	28	1-603770	1	Valve-Fuel
10	131-0670-03	1	Bracket-Guard, Muffler	29	2412-98	4	Clamp-Hose
11	33114-016	2	Screw-HH	30	109-0295	1	Hose-Fuel
12	120-7536	1	Muffler	31	117-6396	1	Hose-Vent, Tank
13	137-4879-03	1	Guard-Muffler	32	110-5547	1	Lever-Control
14	131-0604	1	Guard-Foil	33	3256-21	4	Washer-Flat
15	33103-016	1	Screw-HHF	34	3290-134	4	Screw
16	33114-020	3	Screw-HH	35	3296-2	4	Nut-Lock, NI
17	112-2844	3	Nut-HF	36	115-1211	2	Cable-Control
18	2112-11	1	Clamp-Muffler	37	108-9730	1	Lever-Control
19	103-1966	1	Adapter-STR	38	233-42	2	Knob

● Not serviced separately

■ Obtain parts from www.kawpower.com

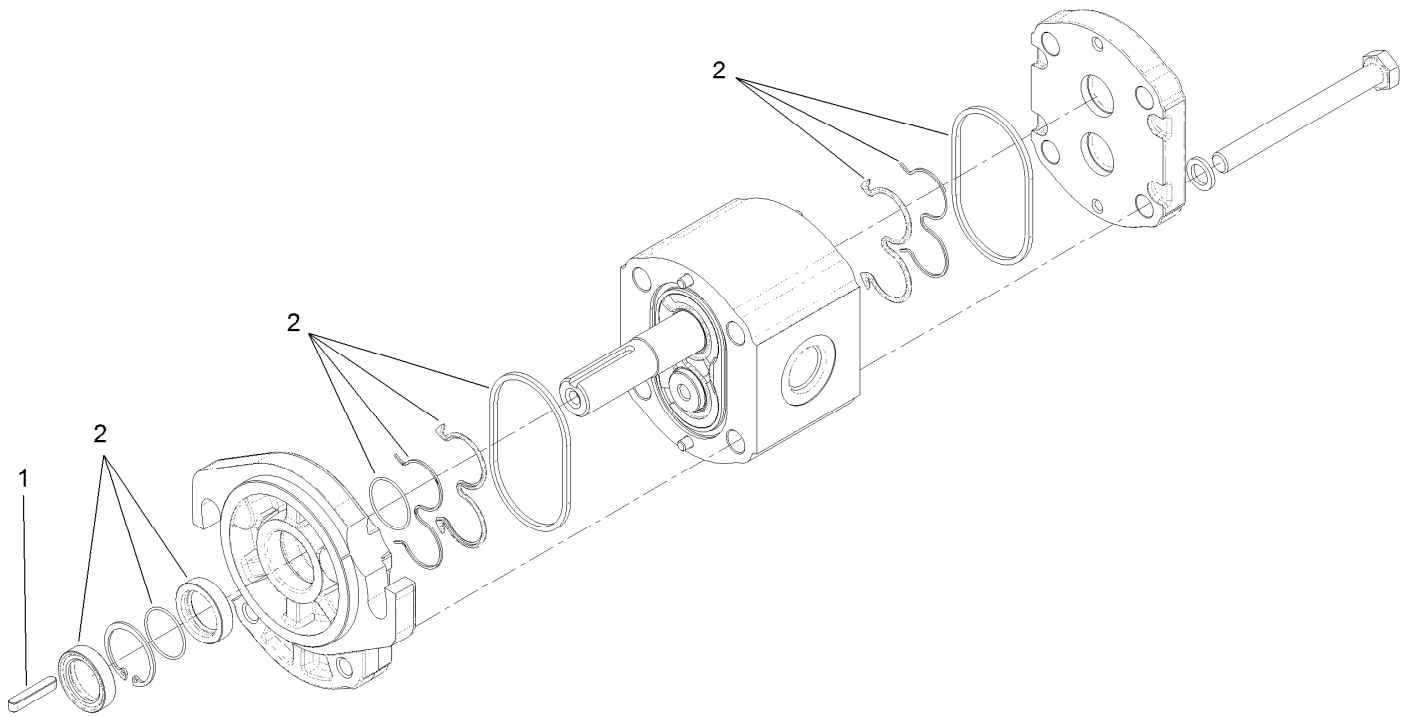
Gear Pump, Idler Arm and Pulley Assembly



Gear Pump, Idler Arm and Pulley Assembly (continued)

<i>Ref.</i>	<i>Part Number</i>	<i>Qty.</i>	<i>Description</i>	<i>Ref.</i>	<i>Part Number</i>	<i>Qty.</i>	<i>Description</i>
1	115-1480-03	1	Mount-Pump	19	32128-20	2	Nut-HF
2	114-3072	1	Gear Pump ASM	20	125-0251	1	Spacer-Idler
3	99-3017	2	Fitting	21	114-0463	2	Washer-Friction, Composite
3:1	237-81	1	O-Ring	22	1-413088	1	Bushing-Lever, Lift
4	340-8	1	Fitting-Straight	23	125-0252	1	Arm-Idler
4:1	237-65	1	O-Ring	24	104-8426	1	Spacer
4:2	237-81	1	O-Ring	25	121-4523	1	Spring-Extension
5	340-167	1	Fitting-Tee	26	614672	1	Screw-Shoulder, HWH
5:1	237-65	2	O-Ring	27	3296-59	1	Nut-Lock, NI
6	86-5860	1	Nipple	28	95-8802	1	Pulley-Idler
7	354-79	1	Cap-Dust	29	3256-24	1	Washer-Plain
8	324-6	2	Screw-HH	30	3234-11	1	Screw-HHF
9	121-4517	1	Washer-Wave	31	110-9981	1	Washer-Plain
10	115-7210	1	Washer-Thrust	32	323-14	1	Screw-HH
11	27-8590	1	Key-Square	33	104-8301	1	Nut-HF, NI
12	114-2933	1	Coupler-Flex	34	323-9	1	Screw-HH
12:1	105-4068	1	Screw-Set,Cphs	35	3290-357	2	Nut-HSF
13	93-8827	1	Coupler-Spider	36	114-2991	1	Belt-V
14	145-3291	1	Pulley-Engine,	37	114-2917	1	Hose-Suction
15	608006	1	Key-Square	38	2412-111	2	Clamp-Hose, W/Liner
16	3246-6	2	Screw-Set, HSH	39	AU112950	2	Protector-Hose
17	323-8	2	Screw-HH	40	3290-378	3	Tie-Cable
18	322-5	2	Screw-HH				

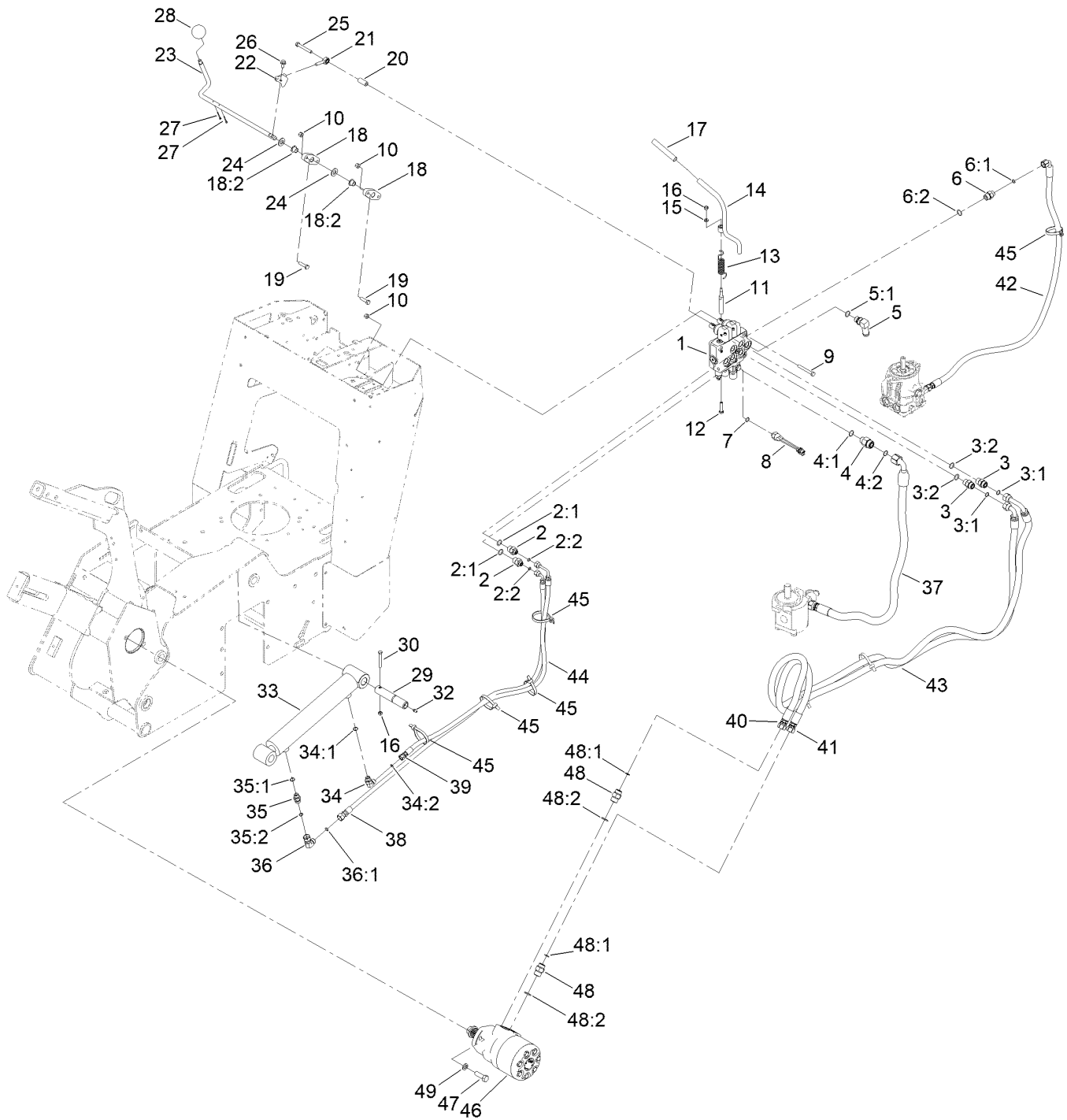
Gear Pump Assembly No. 114-3072



Gear Pump Assembly No. 114-3072 (continued)

<i>Ref.</i>	<i>Part Number</i>	<i>Qty.</i>	<i>Description</i>
1	104-5839	1	Key-Square
2	115-1265	1	Seal Kit

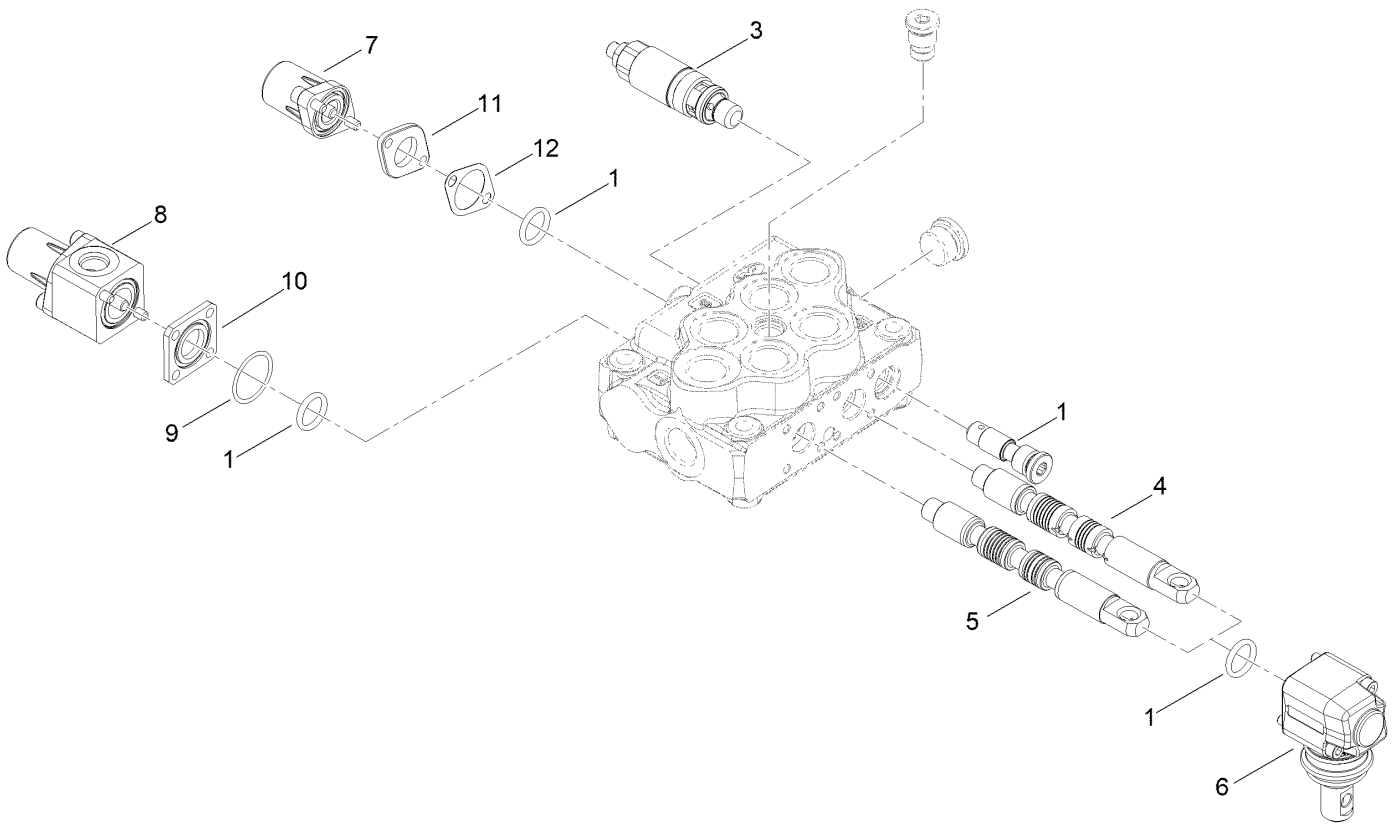
Hydraulic Control Assembly



Hydraulic Control Assembly (continued)

<i>Ref.</i>	<i>Part Number</i>	<i>Qty.</i>	<i>Description</i>	<i>Ref.</i>	<i>Part Number</i>	<i>Qty.</i>	<i>Description</i>
1	115-4062	1	HYD Valve ASM	24	3256-26	2	Washer-Flat
2	340-133	2	Fitting-STR	25	33114-060	1	Screw-HH
2:1	237-79	1	O-Ring	26	3234-14	1	Screw-HHF
2:2	237-21	1	O-Ring	27	3272-7	2	Pin-Cotter
3	340-4	2	Fitting-Straight	28	233-21	1	Knob
3:1	237-30	1	O-Ring	29	120-7352	1	Pin-Pivot
3:2	237-79	1	O-Ring	30	321-18	1	Screw-HH
4	340-155	1	Fitting-Straight	32	302-5	1	Fitting-Grease
4:1	237-79	1	O-Ring	33	121-1955	1	HYD Cylinder ASM
4:2	237-151	1	O-Ring	34	340-82	1	Fitting-Elbow, 90 DEG
5	353-954	1	Fitting-Elbow, 90	34:1	237-42	1	O-Ring
5:1	237-79	1	O-Ring	34:2	237-21	1	O-Ring
6	340-3	1	Fitting-Straight	35	115-4081	1	Valve-Check
6:1	237-22	1	O-Ring	35:1	237-42	1	O-Ring
6:2	237-79	1	O-Ring	35:2	237-22	1	O-Ring
7	237-42	1	O-Ring	36	340-159	1	Elbow-90
8	72-4310	1	Switch-Ball	36:1	237-22	2	O-Ring
9	322-12	3	Screw-HH	37	114-3043	1	Hose-HYD
10	3296-29	7	Nut-Lock, NI	38	114-3044	1	Hose-HYD
11	104-2827	1	Spacer-Hiflo	39	114-3045	1	Hose-HYD
12	33114-035	1	Screw-HH	40	114-3046	1	Hose-HYD
13	112-2738	1	Spring-Torsion	41	114-3085	1	Hose-HYD
14	112-2739	1	Lever-Auxiliary	42	117-4038	1	Hose-HYD
15	3256-16	1	Washer-Flat	43	99-5648	2	Sleeve-Protective
16	3296-42	2	Nut-Lock, NI	44	115-4064	1	Sleeve-Protective
17	112-2605	1	Grip-Rubber	45	3334-945	8	Tie-Cable
18	138-3142	2	Bushing ASM	46	131-0652	1	HYD Motor ASM
18:2	125-5239	1	Bushing-Flange	47	325-6	2	Screw-HH
19	322-6	4	Screw-HH	48	340-6	2	Fitting-Straight
20	103-0384	1	Spacer	48:1	237-30	1	O-Ring
21	115-1273	1	Bearing-Rod End	48:2	237-80	1	O-Ring
22	112-7210	1	Bracket-Control	49	3253-7	2	Washer-Lock
23	114-8598	1	Rod-Lever, Cylinder				

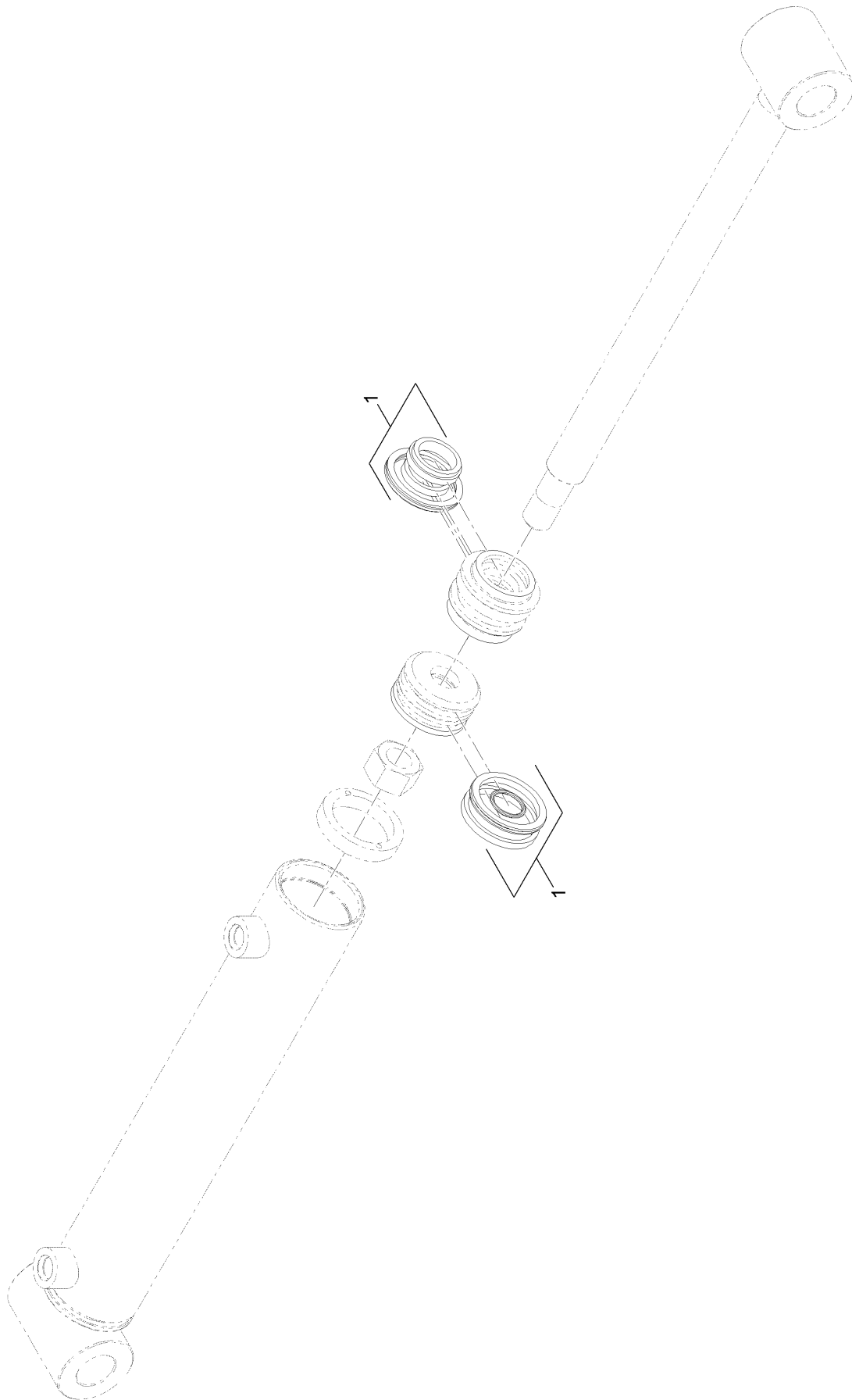
2-Spool Valve Assembly No. 115-4062



2-Spool Valve Assembly No. 115-4062 (continued)

<i>Ref.</i>	<i>Part Number</i>	<i>Qty.</i>	<i>Description</i>	<i>Ref.</i>	<i>Part Number</i>	<i>Qty.</i>	<i>Description</i>
1	106-7719	4	Seal-Valve	8	115-4093	1	Switch Spring Return Kit
3	100-8805	1	Valve-Relief	9	115-4097	1	Seal-Return
4	115-4084	1	Spool-Valve	10	115-4094	1	Spacer-Square
5	106-7572	1	Spool	11	115-4089	1	Spacer-Spring Return
6	100-7229	2	Lever Kit	12	115-4088	1	Gasket-Return
7	115-4092	1	Spring Return Kit				

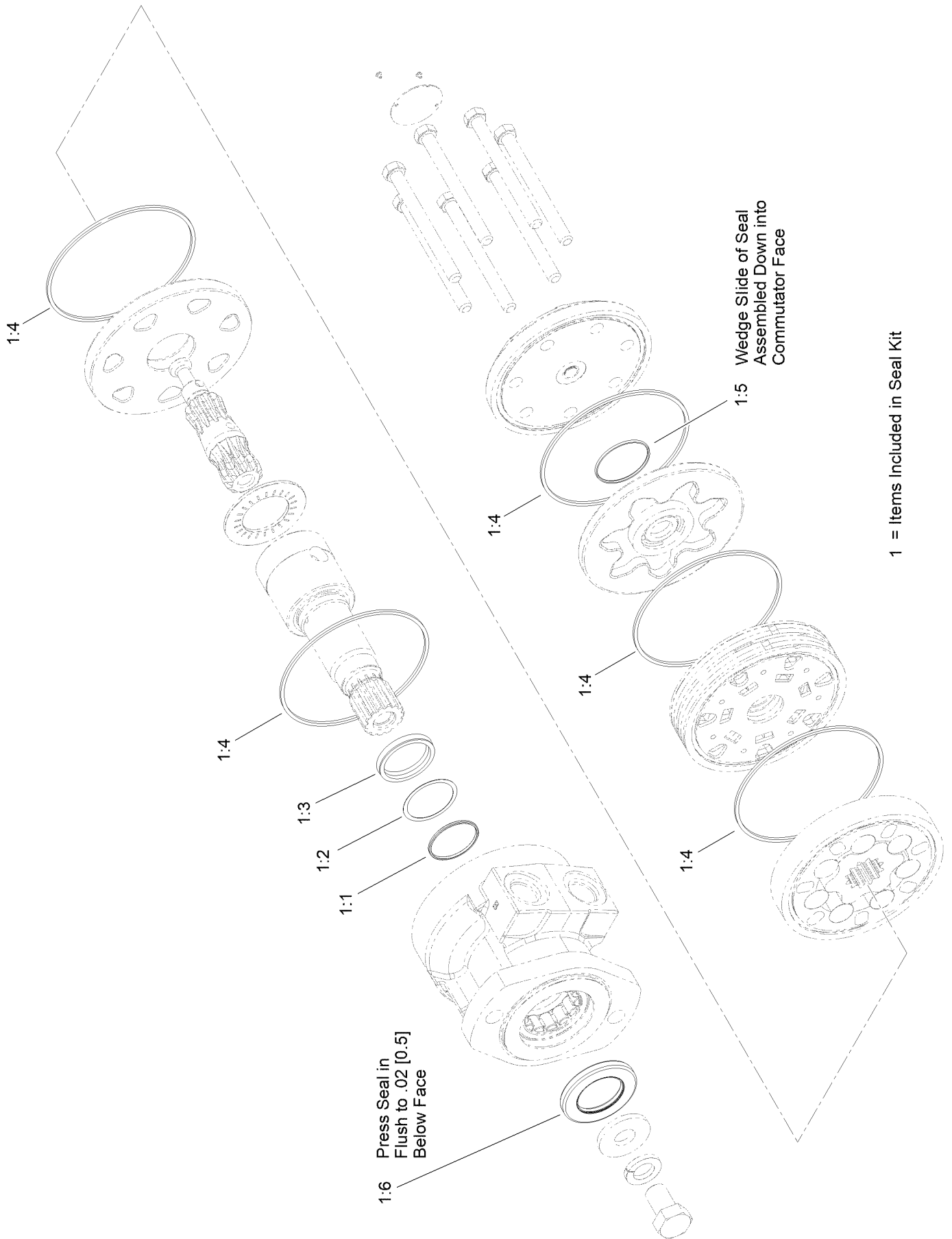
Hydraulic Cylinder Assembly No. 121-1955



Hydraulic Cylinder Assembly No. 121-1955 (continued)

<i>Ref.</i>	<i>Part Number</i>	<i>Qty.</i>	<i>Description</i>
1	131-0665	1	Seal Kit

Hydraulic Motor Assembly No. 131-0652

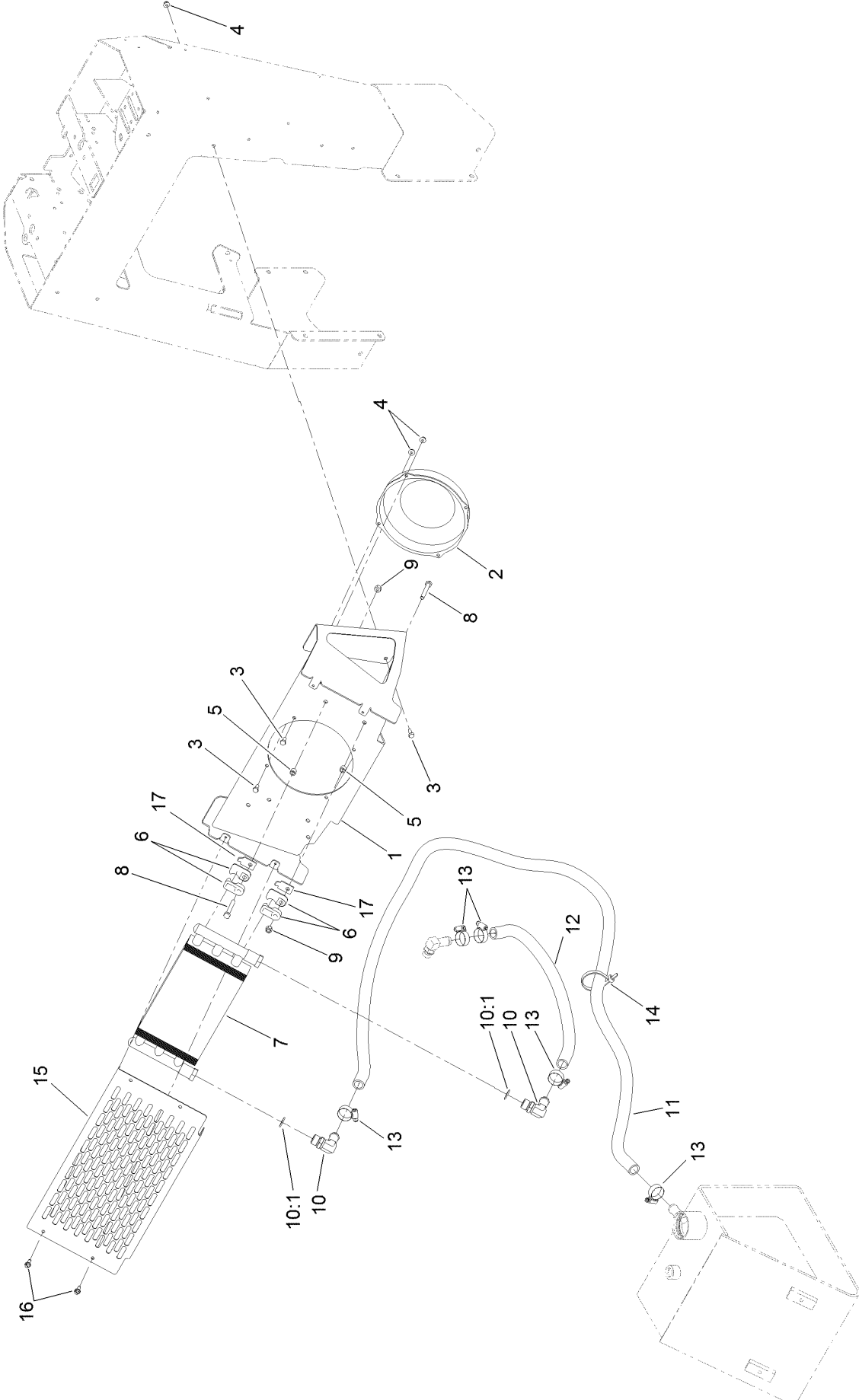


Hydraulic Motor Assembly No. 131-0652 (continued)

<i>Ref.</i>	<i>Part Number</i>	<i>Qty.</i>	<i>Description</i>	<i>Ref.</i>	<i>Part Number</i>	<i>Qty.</i>	<i>Description</i>
1	76-0800	1	Seal Kit	1:4		6	Seal-Ring ●
1:1		1	Ring-Back Up ●	1:5		1	Seal-Commutator ●
1:2		1	Washer-Back Up ●	1:6		1	Seal-Dirt And Water ●
1:3		1	Seal-Shaft ●				

● Not serviced separately

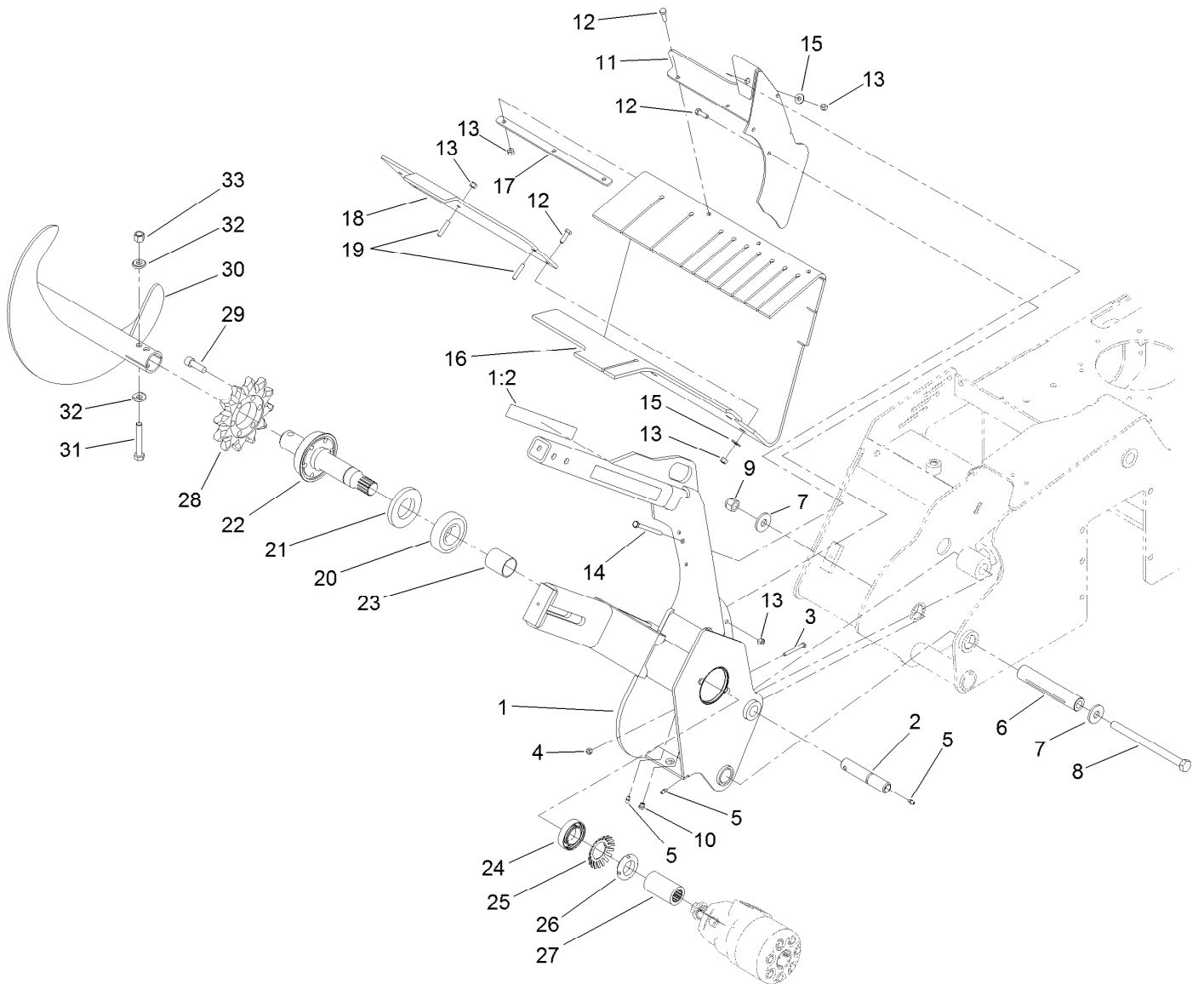
Hydraulic Oil Cooler Assembly



Hydraulic Oil Cooler Assembly (continued)

<i>Ref.</i>	<i>Part Number</i>	<i>Qty.</i>	<i>Description</i>	<i>Ref.</i>	<i>Part Number</i>	<i>Qty.</i>	<i>Description</i>
1	147-7009-01	1	Cooler Mount ASM [red]	10	87-8170	2	Fitting-90
2	104-2809	1	Fan	10:1	237-80	1	O-Ring
3	321-3	8	Screw-HH	11	115-1207	1	Hose-Return
4	104-7201	8	Nut-HF, NI	12	125-0266	1	Hose-Return
5	26-4840	4	Spacer-Pin, Mounting	13	2412-129	4	Clamp-Hose
6	131-0733	8	Clamp	14	3334-945	3	Tie-Cable
7	105-0352	1	Exchanger-Heat	15	119-4633-01	1	Cover-Cooler
8	322-11	4	Screw-HH	16	32104-95	4	Screw-HWH
9	3296-29	4	Nut-Lock, NI	17	131-0642	4	Plate-Support, Clamp

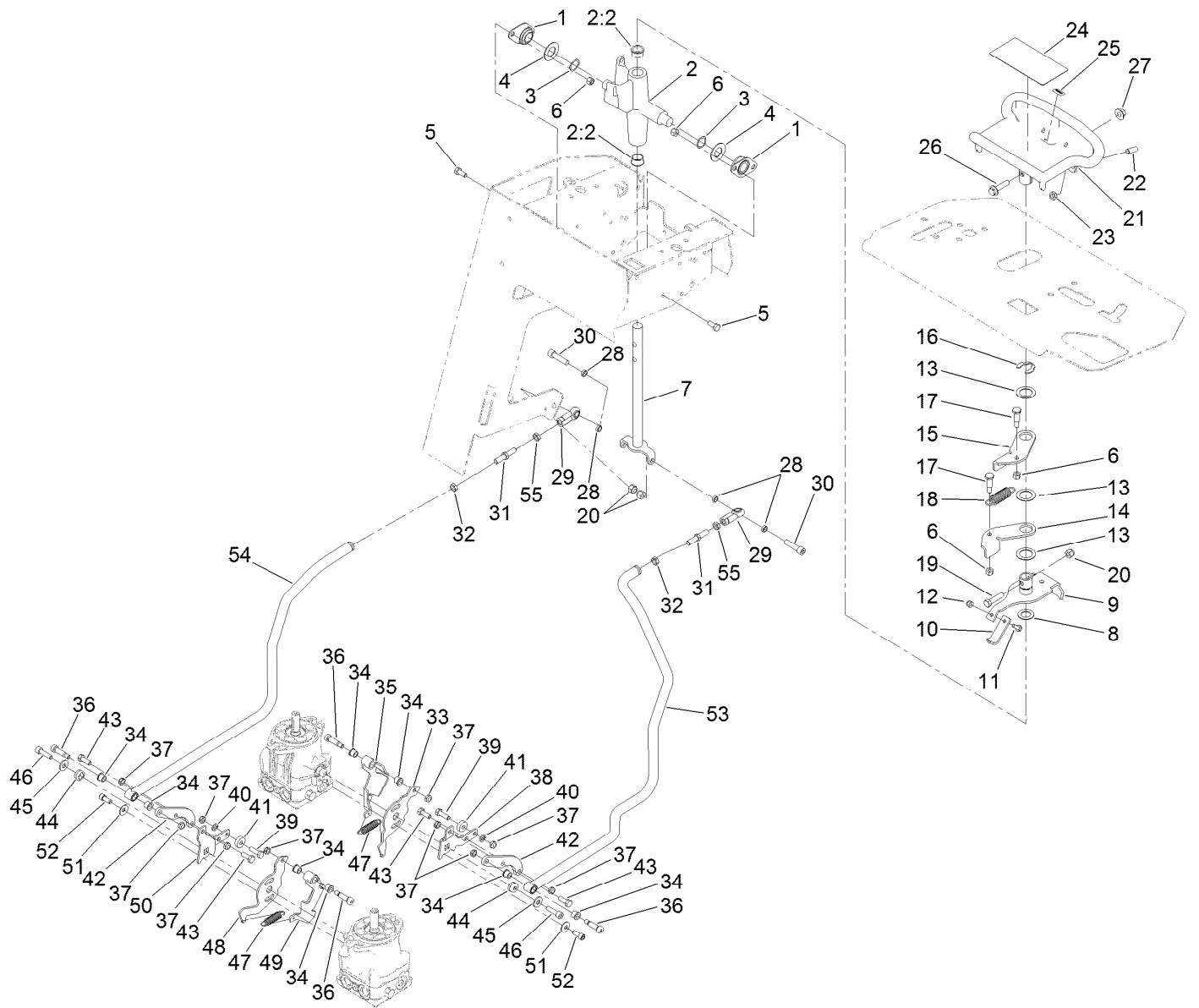
Trencher Head and Auger Assembly



Trencher Head and Auger Assembly (continued)

<i>Ref.</i>	<i>Part Number</i>	<i>Qty.</i>	<i>Description</i>	<i>Ref.</i>	<i>Part Number</i>	<i>Qty.</i>	<i>Description</i>
1	117-6423	1	Trencher Head ASM	17	115-4001-03	1	Plate-Strap, Shield
1:2	99-9952	2	Decal-Danger	18	117-6316-03	1	Clamp-Bar
2	120-7352	1	Pin-Pivot	19	115-4049	2	Screw-HSH
3	321-18	1	Screw-HH	20	106-8871	1	Bearing-Ball
4	3296-42	1	Nut-Lock, NI	21	114-2955	1	Seal-Grease
5	302-5	3	Fitting-Grease	22	117-6308	1	Shaft-Trencher
6	121-4571	1	Spacer-Pivot	23	112-4979	1	Spacer
7	104-9216	2	Washer-Hardened	24	111199	1	Bearing-Ball
8	117-6327	1	Bolt-HH	25	114-2956	1	Lockwasher-Bearing
9	3296-53	1	Nut-Lock, NI	26	88-1450	1	Locknut-Bearing
10	302-34	1	Fitting-Lube	27	117-6315	1	Collar-Splined
11	115-1279-03	1	Bracket-Shield	28	104-1964	1	Sprocket-Trencher
12	322-5	8	Screw-HH	29	3274-4	6	Screw-HSH
13	3296-29	11	Nut-Lock, NI	30	137-3737-03	1	Auger-Trencher
14	322-23	1	Screw-HH	31	325-13	1	Screw-HH
15	3256-3	4	Washer-Flat	32	117-3479	2	Washer-Saddle
16	117-6317	1	Shield-Dirt	33	3296-23	1	Nut-Lock, NI

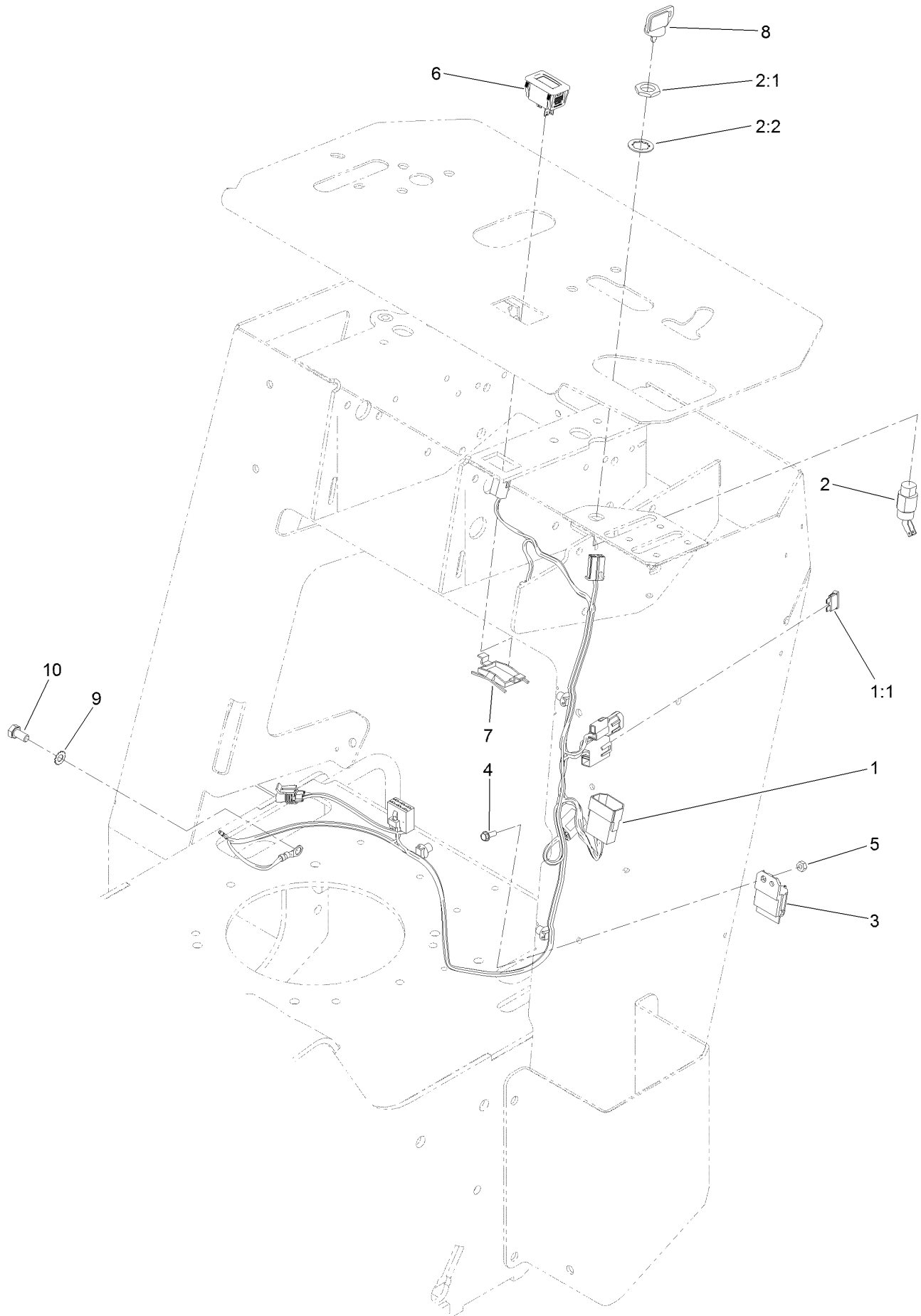
Traction Control Assembly



Traction Control Assembly (continued)

<i>Ref.</i>	<i>Part Number</i>	<i>Qty.</i>	<i>Description</i>	<i>Ref.</i>	<i>Part Number</i>	<i>Qty.</i>	<i>Description</i>
1	27-2320	2	Bearing	28	108-0634	4	Spacer-Plate, Retaining
2	106-5737	1	Control Support ASM	29	103-1167	2	Joint-Ball End, LH
2:2	256-252	2	Bearing-Flange	30	3274-2	2	Screw-HSH
3	95-3703	2	Washer-Spring, Wave	31	AU107344	2	Screw-Jack, Control
4	3256-39	2	Washer-Flat	32	3220-3	2	Nut-HJ
5	322-3	4	Screw-HH	33	115-6549	1	Plate-Base, LH
6	3296-29	6	Nut-Lock, NI	34	256-116	8	Bushing-Flange
7	117-6335	1	Rod-Drive	35	115-6637	1	Pivot-LH
8	257-8	1	Washer-Thrust	36	114-8629	4	Bolt-Shldr
9	112-2783	1	Lever-Pivot	37	3296-47	10	Nut-Lock,NI
10	115-1204	1	Plate-Neutral	38	115-6628	1	Plate-Arm, Return, LH
11	321-4	1	Screw-HH	39	322-5	2	Screw-HH
12	3296-42	1	Nut-Lock, NI	40	3253-4	2	Washer-Lock
13	108-9743	3	Washer-Plain	41	251-259	2	Bearing-Ball
14	98-8407	1	Lever-Return, RH	42	115-1290	2	Plate-Adapter, Control, RH
15	98-8408	1	Lever-Return, LH	43	322-4	4	Screw-HH
16	32151-91	1	Ring-Retaining	44	117-6429	2	Lock-Trunion
17	63-2650	2	Screw-Shoulder	45	3256-3	2	Washer-Flat
18	108-4724	1	Spring-Extension	46	94-3559	2	Screw-HSH
19	323-8	1	Screw-HH	47	121-4409	2	Spring-Extension
20	3296-39	3	Nut-Lock, NI	48	115-6535	1	Plate-Base, RH
21	120-5380-03	1	Handle-Control	49	115-6636	1	Pivot-RH
22	3247-6	2	Screw-Set	50	115-6536	1	Plate-Arm, Return
23	3218-3	2	Nut-Jam	51	3290-456	2	Washer-Belleville
24	115-4020	1	Decal-Traction	52	3273-14	2	Screw-HSH
25	98-1459	1	Decal	53	131-0668	1	Link-Steering, LH
26	3234-18	1	Screw-HHF	54	131-0669	1	Link-Steering, RH
27	32128-43	1	Nut-Flange	55	AU129-289	2	Nut-Jam, LH

Engine Wire Harness Assembly



Engine Wire Harness Assembly (continued)

<i>Ref.</i>	<i>Part Number</i>	<i>Qty.</i>	<i>Description</i>	<i>Ref.</i>	<i>Part Number</i>	<i>Qty.</i>	<i>Description</i>
1	117-6287	1	Harness-Wire	5	3296-2	1	Nut-Lock, NI
1:1	109355	1	Fuse-Blade, 15 Amp	6	120-2244	1	Hourmeter
2	29-5560	1	Switch-On / Off	7	104-4234	1	Clip-Mounting
2:1	218-461	1	Nut-HH	8	63-8360	1	Key-Ignition
2:2	3254-5	1	Washer-Lock	9	3255-8	1	Washer-Lock
3	1-323430	1	Switch-Module-Interlock	10	33114-016	1	Screw-HH
4	32105-23	1	Screw				

Attachments and Accessories

For 22972 TRX-16 Trencher

Product Name	Model/Part
Crumber Kit	22477
24in Trencher Boom	22975
36in Trencher Boom	22976
48in Trencher Boom	22977
24in X 4in Soil Chain.....	22480
24in X 6in Soil Chain.....	22483
36in X 4in Soil Chain.....	22486
36in X 6in Soil Chain.....	22490
24in X 4in Combination Chain	22481
24in X 6in Combination Chain	22484
36in X 4in Combination Chain	22487
36in X 6in Combination Chain	22491
24in X 4in Rock Tooth Chain.....	22482
24in X 6in Rock Tooth Chain.....	22485
36in X 4in Rock Tooth Chain.....	22488
36in X 6in Rock Tooth Chain.....	22489
48in x 4in Soil Chain	22492
48in x 4in Combination Chain	22493
48in x 6in Soil Chain	22494
48in x 6in Combination Chain	22495
24in X 4in Bullet Chain.....	22496
24in X 6in Bullet Chain.....	22497
36in X 4in Bullet Chain.....	22498
Spark Arrestor Screen	94-8157
36in X 6in Bullet Chain.....	22499
Bore Drive Attachment.....	22978
Backfill Blade	22980
Semi-Gloss Black Spray Paint.....	361-9
Toro Red 12oz Aerosol Can	361-10
New Red Paint - Gallon	361-11
Decal Kit - Herc.....	145-6939
Spot 2 GPS Kit.....	161-6885
10W30 4-Cycle Engine Oil (32oz Bottle).....	38280
Oil-30/10W-30 Synthetic (Quart).....	138-6053
PX Hydraulic Fluid-4 Pack (Gallon).....	138-9460
PX Hydraulic Fluid (5 Gal)	133-8086
PX Hydraulic Fluid (55 Gal).....	133-8087

Notes:

Notes:

Notes:



Count on it.