



TimeCutter® Riding Mowers

For All TimeCutter Max Riding Mowers

Setup Instructions

Installing the Back Cushion

Machines with MyRide™ Suspension System Only

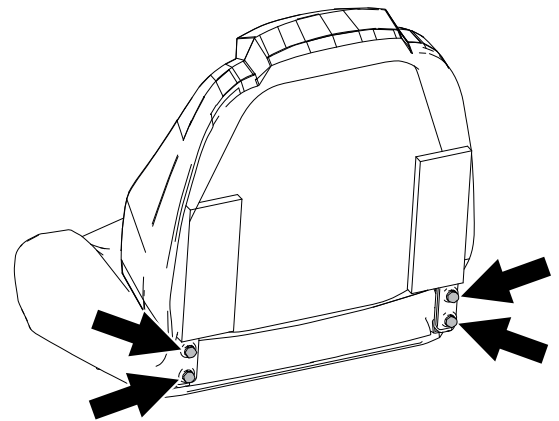
Parts Required

1	Seat back
4	Bolt (5/16 x 1-1/4 inches)

1. Slide the seat back on to the seat-base posts and align the holes.
2. Secure the seat back using 4 bolts (5/16 x 1-1/4 inches). Torque the bolts to **19.7 N·m (14.5 ft-lb)**.



Note: Insert the bolts from back to front.

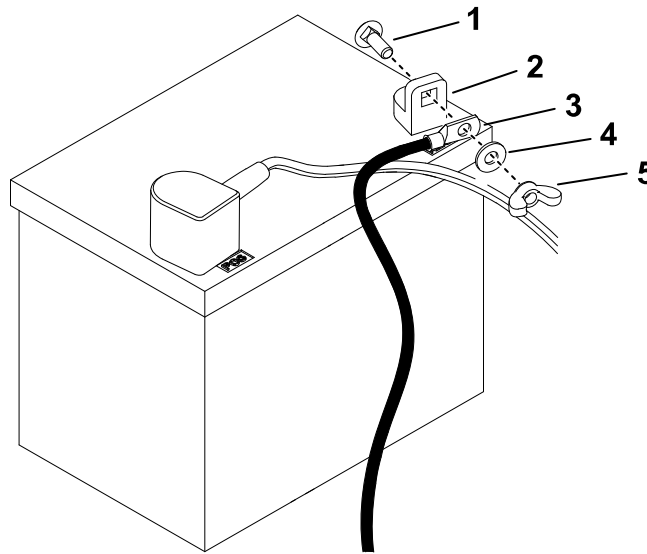


G462153



Connecting the Battery

1. Locate the battery and negative battery cable.
2. Remove the plastic cap from the negative battery post.
3. Remove the fasteners on the negative battery cable and use them to secure the negative battery cable to the negative battery post.



G452546

- | | | |
|-------------------------|--------------------------|------------|
| ① Carriage bolt | ③ Negative battery cable | ⑤ Wing nut |
| ② Negative battery post | ④ Washer | |

4. Install the previously removed plastic cap.

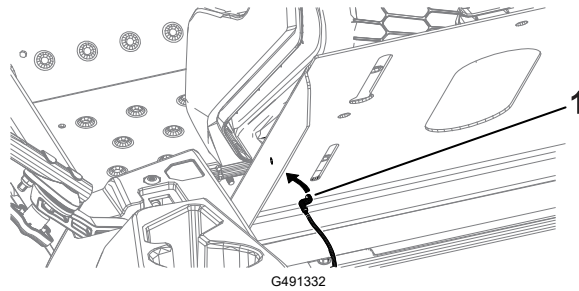
Attaching the Seat-Tilt Cable

Non-MyRide™ Machines Only

Parts Required

1	Seat-tilt cable
---	-----------------

1. Tilt the seat back partway.
2. Attach the seat-tilt cable from inside the seat pan as shown.



① Seat-tilt cable

3. Lower the seat.

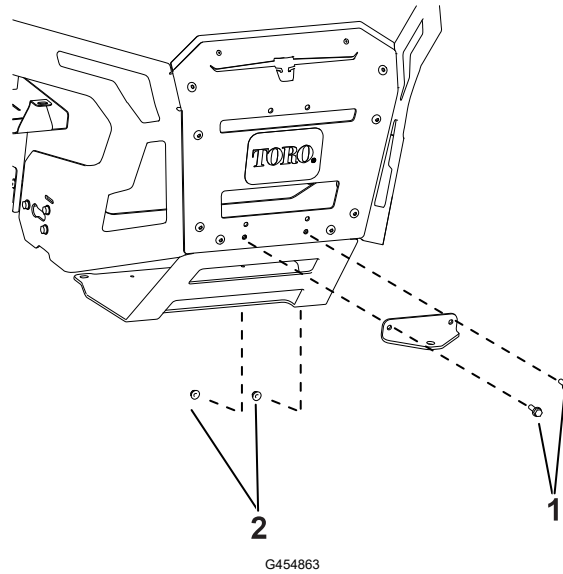
Installing the Rear Hitch

Parts Required

1	Rear hitch bracket
---	--------------------

Remove the fasteners from the rear frame and use them to install the rear hitch bracket as shown.

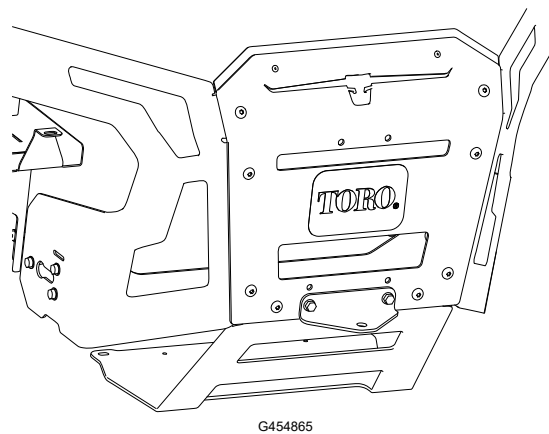
Figure 1 Before assembly



① Bolts

② Locknuts

Figure 2 After assembly

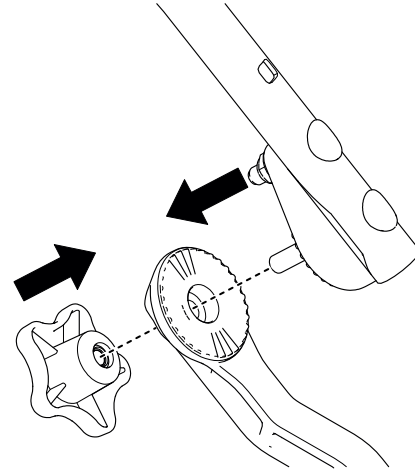


Installing the Motion-Control Levers

Parts Required

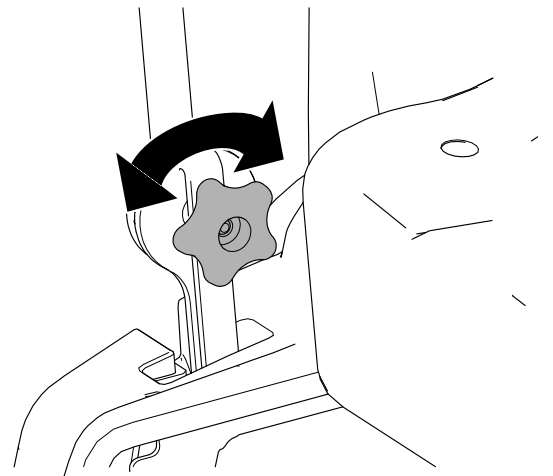
2	Lever assembly
2	Knob

1. Install the motion-control levers.



G462688

2. Adjust the levers to the desired position.
3. Tighten the knob.



G439363

Completing the Setup

Parts Required

1	Key
1	<i>Operator's Manual</i>
1	Operator training material

Checking the Mower Adjustment

Adjust the side-to-side level and the front-to-rear blade slope. Use the relevant procedures in the *Operator's Manual* to verify that the deck is level, and make any adjustments as necessary. Refer to the *Operator's Manual* for more information.

Checking the Tire Pressure

Check the front and rear tires for proper inflation; refer to Checking the Tire Pressure in the *Operator's Manual* for the recommended inflation pressure.

Checking the Side-Discharge Chute

Remove the packing restraint holding the side discharge chute up and lower the chute into place.

Checking the Engine-Oil Level

Before you start the engine and use the machine, check the oil level in the engine crankcase.

Organizing the Material

Keep all the following items with the machine:

- Ignition key
- *Operator's Manual*
- View the operator training material before operating the machine

Notes:

