

LAWN-BOY®

Silver Pro Series®

Walk-Behind Mower

Model No. 10323—230000001 and Up

Model No. 10324—230000001 and Up

Model No. 10324C—230000001 and Up

Parts Catalog

Ordering Replacement Parts

To order replacement parts, please supply: the part number, the quantity, and the description of each part desired.

Understanding Reference Numbers

Each identified part in an illustration has a reference number. The reference number for a part also appears in the parts list, along with other information about the part.

This catalog uses two special reference number formats, one to indicate parts in a service assembly and another to indicate the quantity of a given part in an illustration.

Service Assembly Reference Numbers

Parts in service assemblies have reference numbers in the form **a:b**. The **a** represents the reference number of the entire service assembly and the **b** represents a sequential number unique to each part within the service assembly.

For example, a wheel assembly might be identified by reference number **6**, the tire by **6:1**, the valve by **6:2**, and the wheel by **6:3**. When you order the assembly identified by reference number **6**, you receive all parts identified by reference numbers **6:1**, **6:2**, and **6:3**. However, you may also order any part individually.

Reference numbers of this type appear in illustrations and in part lists.

Reference Numbers Indicating Quantity

In an illustration, if a reference number indicates more than one part, the reference number has the form **nX y**. The **n** represents the quantity of the part, the **X** is the multiplication symbol, and the **y** represents the reference number.

For example, in an illustration, the reference number **2X 37** means that two of the parts identified by reference number **37** are indicated.

Contents

Description	Page	Description	Page
Housing, Handle Bracket And Wheel Assembly	3	Grass Bagging Assembly	9
Gear Case Assembly No. 104–7672	5	Engine Assembly No. 98–1393	10
Engine And Blade Assembly	6	Short Block Assembly No. 95–7636	12
Rear Axle Assembly	7	Carburetor Assembly No. 98–7042	13
Handle And Controls Assembly	8		

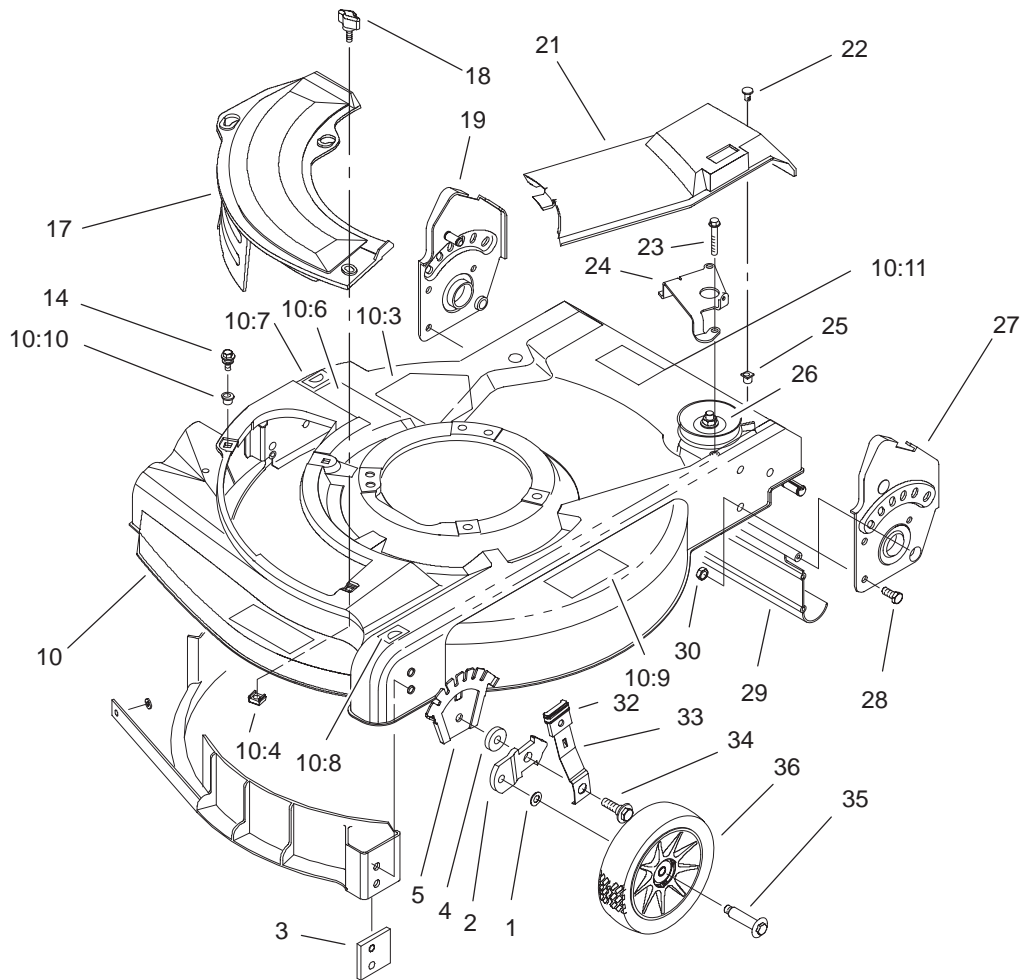
Accessories

Description	Model / Part No.	Description	Model / Part No.
Side Bagging Kit	89817	Leaf Shredder Kit	89860
Leaf Bag	89804	Leaf Bag Kit with Chute	89811

Part Description Abbreviations

Part descriptions in this catalog may include the following abbreviations.

Abbreviation	Meaning	Abbreviation	Meaning
AR	as required	INC	incorporated
ASM	assembly	LH	left hand
CARR	carriage	NI	nylon insert
DEG	degrees	PPH	Phillips pan head
FH	flat head	PTH	Phillips truss head
GA	gauge	PTO	power take off
HF	hex flange	RH	right hand
HH	hex head	SFH	slotted fillister head
HHF	hex head flange	SHH	slotted hex head
HLH	hex lag head	SQH	square head
HJ	hex jam	SHWH	slotted hex washer head
HOC	height-of-cut	SPH	slotted pan head
HS	hex socket	SRH	slotted round head
HSBH	hex socket button head	STD	standard
HSFH	hex socket flat head	TAP	self tapping
HSH	hex socket head	TTH	Torx truss head
HWH	hex washer head	WH	wing head
HWHTF	hex washer head thread forming		

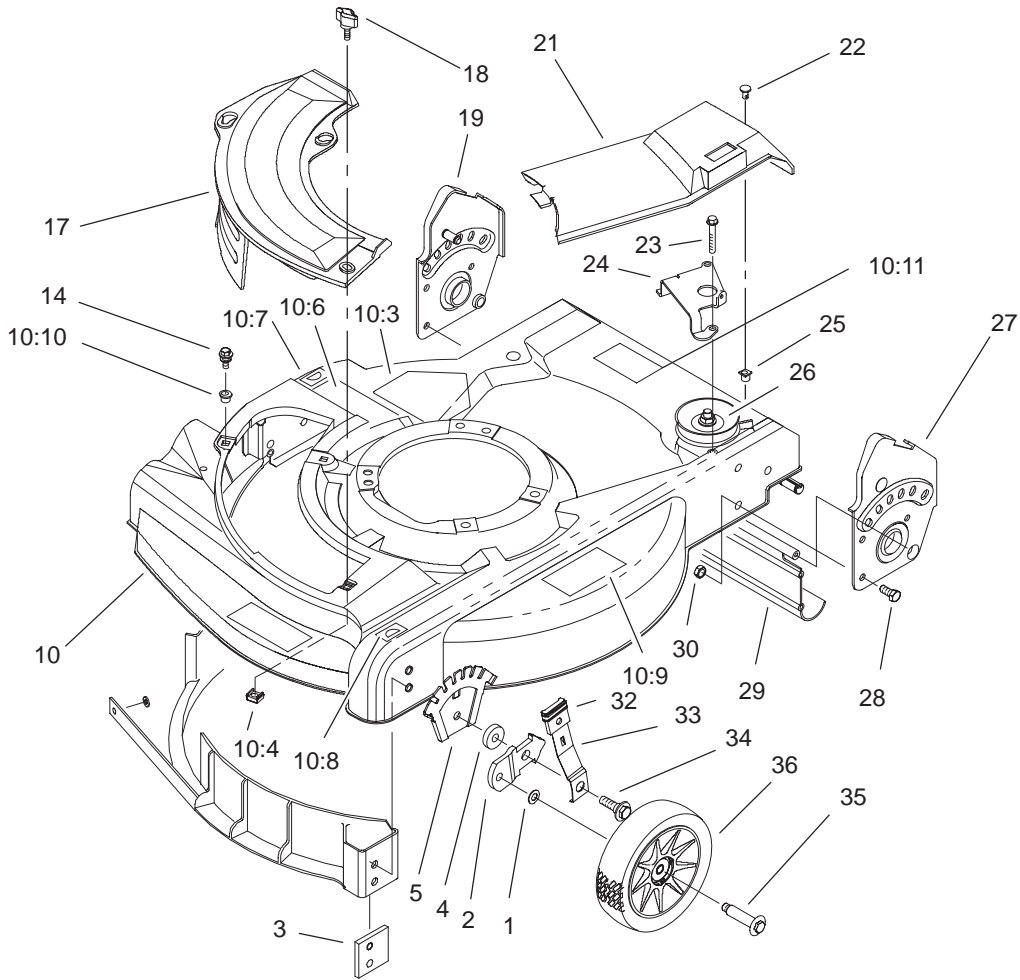


Sheet No.:2

Housing, Handle Bracket And Wheel Assembly

Ref. No.	Part No.	Qty.	Description
1	40-1940	2	Washer
2	95-7403-03	2	Bracket-Height Adjustment, Wheel
3	92-7731	2	Plate-Baffle
4	92-4890	2	Washer-Wheel
5	92-4881-03	2	Plate-Height, Adjustment
10	104-7639	1	Housing-Service (only on: 10324c)
10	98-4472	1	Deck ASM (only on: 10323, 10324)
10:3	56-6270	1	Decal-Danger (only on: 10324c)
10:3	43-8480	1	Decal-Danger (only on: 10323, 10324)
10:4	613765	1	Nut-Cage
10:6	99-6018	1	Decal-Warning (only on: 10323, 10324)
10:6	104-7629	1	Decal-Warning (only on: 10324c)
10:7	92-2914	1	Decal-HOC, LH (only on: 10323, 10324)
10:7	104-7616	1	Decal-HOC,LH (only on: 10324c)
10:8	104-7617	1	Decal-HOC,RH (only on: 10324c)

Ref. No.	Part No.	Qty.	Description
10:8	92-2915	1	Decal-HOC, RH (only on: 10323, 10324)
10:9	93-7250	1	Decal-Warning (only on: 10323, 10324)
10:9	104-7627	1	Decal-Warning (only on: 10324c)
10:10	94-1610	2	Grommet-Plastic
10:11	104-7634	1	Decal-Manual (only on: 10324c)
14	614677	2	Screw-Sems (only on: 10323)
17	92-8630	1	Plate-Mulch
18	98-8332	1	Knob
19	105-8602	1	RH Bracket ASM
21	95-7413	1	Cover-Drive
22	92-9665	1	Screw
23	65-5221	2	Screw-HWHTF
24	95-1732-03	1	Guide-Transmission
25	605120	1	Grommet
26	104-7672	1	Gear Case ASM
27	105-8604	1	LH Bracket ASM
28	322-3	6	Screw-HH

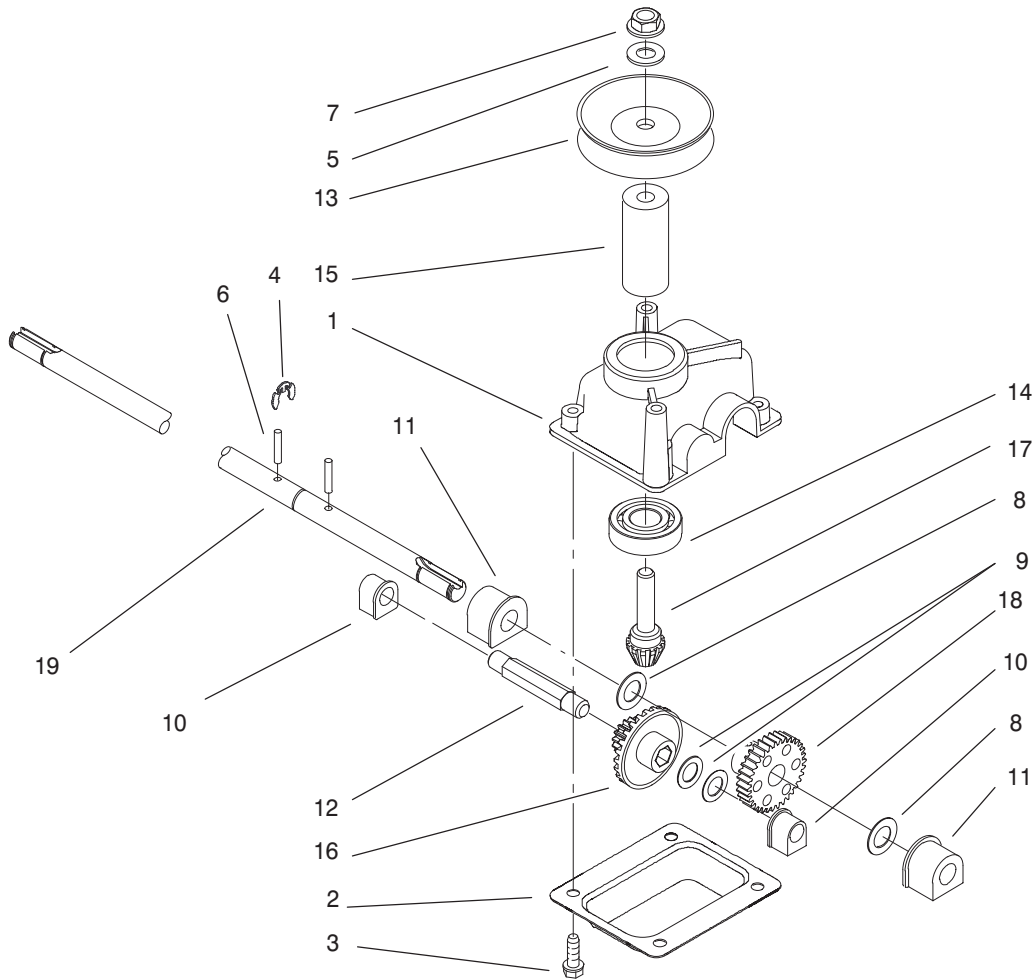


Sheet No.:2

Housing, Handle Bracket And Wheel Assembly (Continued)

Ref. No.	Part No.	Qty.	Description	Ref. No.	Part No.	Qty.	Description
29	92-8647	1	Shield-Trailing				
30	3296-29	6	Nut-Lock, NI				
32	92-1008	2	Knob-Lever, Height Adjustment				
33	614687	2	Arm-Front Spring				
34	614672	2	Bolt-Shoulder				
35	92-1099	2	Bolt-Shoulder				
36	684776	2	Wheel & Tire ASM				
*	95-7052	1	Plate-Opening, Chute				

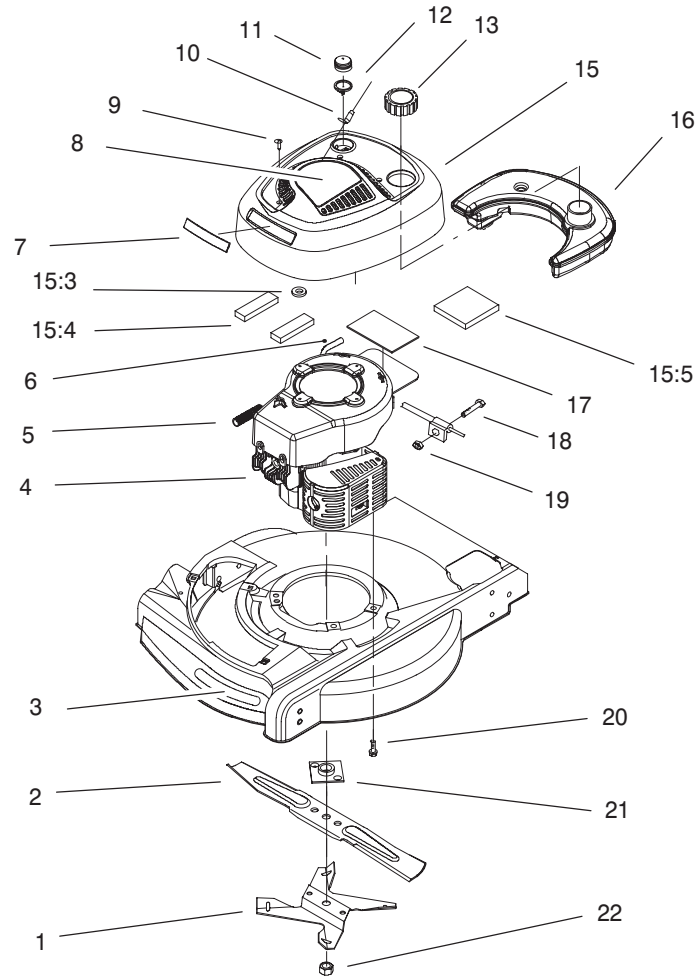
* Not Illustrated



Sheet No.:A1

Gear Case Assembly No. 104-7672

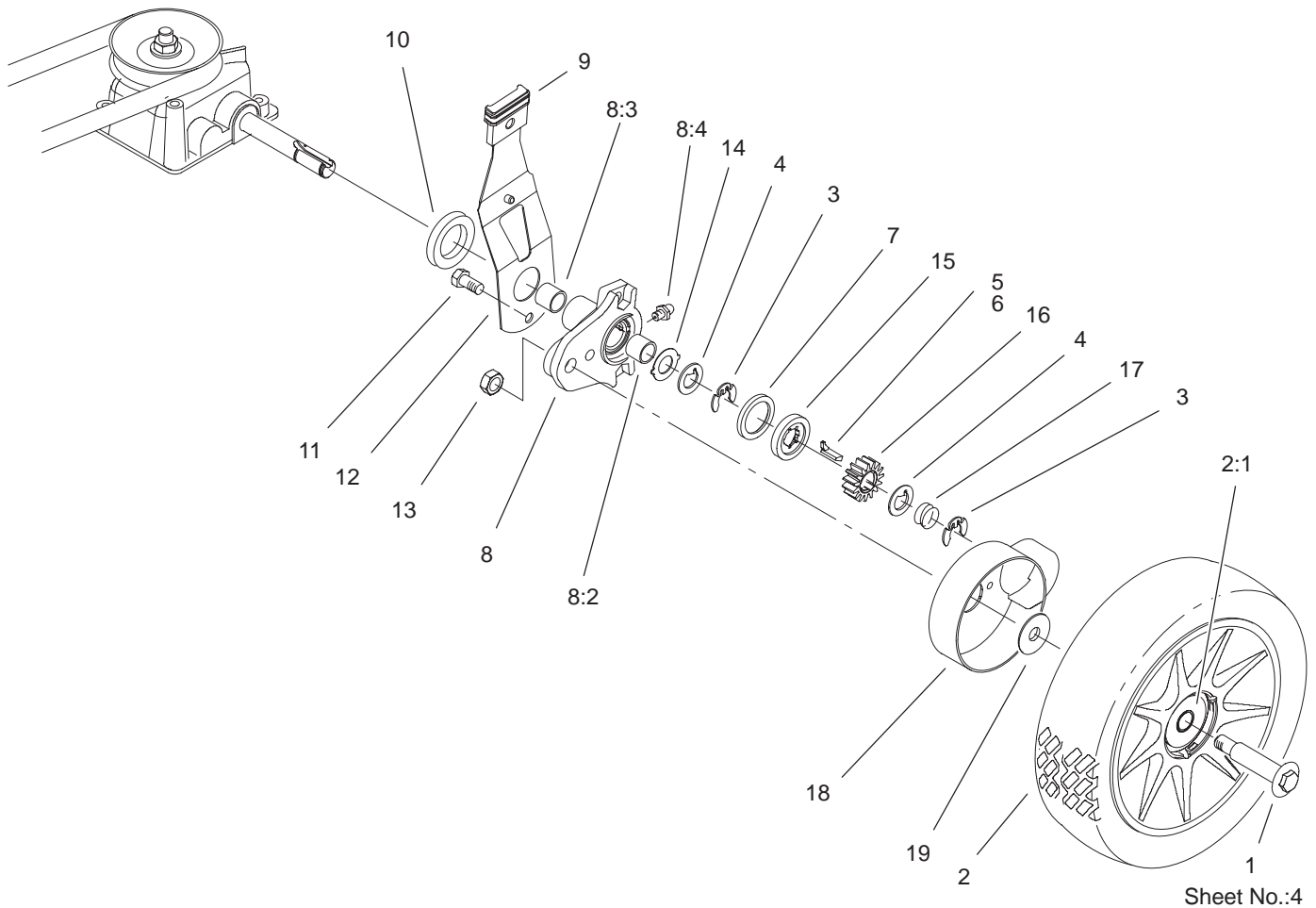
Ref. No.	Part No.	Qty.	Description	Ref. No.	Part No.	Qty.	Description
1	104-7619	1	Case-Gear				
2	614668-03	1	Cover-Case, Gear				
3	32144-4	4	Screw-HWH				
4	32151-68	1	Ring-Retaining				
5	3256-24	1	Washer-Flat				
6	3285-19	2	Pin-Groove				
7	3296-5	1	Nut-Lock, NI				
8	36-4780	2	Washer				
9	36-4791	2	Washer-Thrust				
10	60-8750	2	Bushing				
11	60-8850	2	Bushing				
12	614696	1	Shaft-Intermediate				
13	614669	2	Half-Pulley				
14	100-1048	1	Bearing-Ball				
15	95-5550	1	Spacer-Pulley				
16	104-7668	1	Gear-15t Spur, 37t Bevel				
17	104-7669	1	Gear-Pinion, Bevel				
18	614596	1	Gear				
19	104-7670	1	Shaft-Output				



Sheet No.:3

Engine And Blade Assembly

Ref. No.	Part No.	Qty.	Description
1	99-6351-03	1	Fan-Mulching
2	612543-03	1	Blade
3	104-7955	1	Decal-Deck
4		1	Engine
5	93-4306	1	Spring-Compression
6	612782	1	Line-Fuel
7	92-8615	1	Applique-Shroud
8	95-7417	1	Decal-Recoil
9	95-7621	3	Screw
10	92-1701	1	Stop-Rope
11	44-2750	1	Body-Primer
12	66-7460	1	Bulb-Primer
13	98-8344	1	Fuel & Oil Cap ASM
15	100-6398	1	Shroud & Recoil Cover ASM
15:3	613329	2	Nut-Push
15:4	99-1522	2	Strip-Foam
15:5	99-1521	1	Strip-Foam
16	95-1897	1	Tank
17	98-1386	1	Pad-Foam
18	314576	1	Screw
19	306531	1	Nut-Hex
20	611774	3	Screw-HH
21	677525	1	Plate & Collar ASM
22	603164	1	Nut-Blade

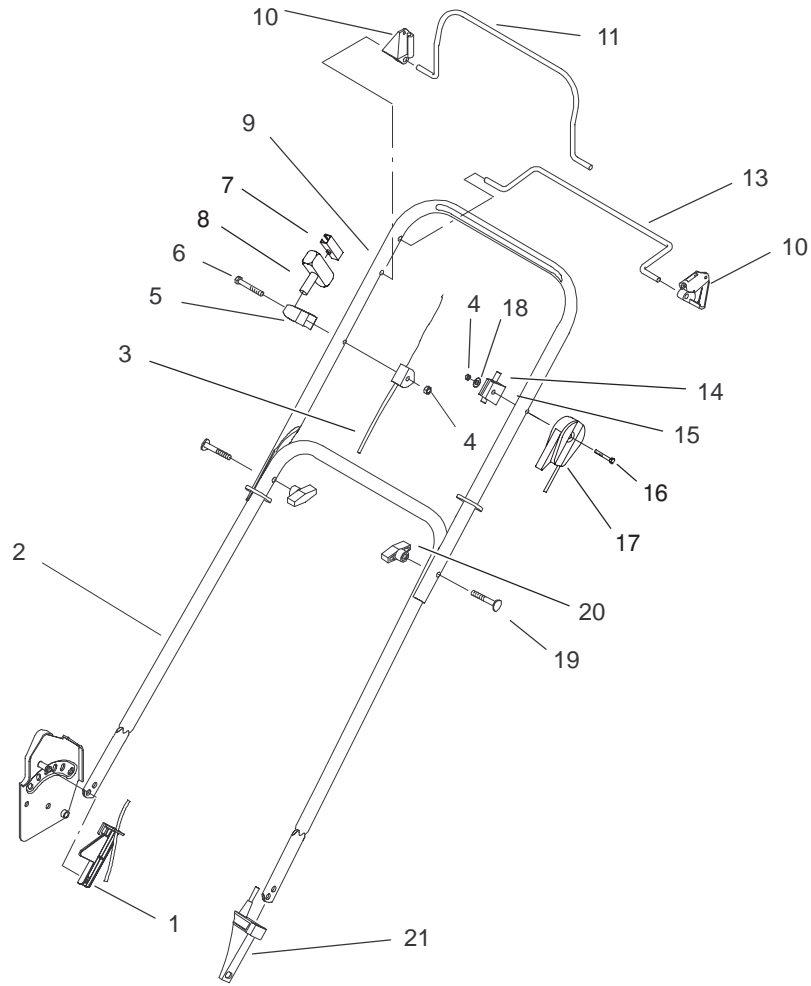


Sheet No.:4

Rear Axle Assembly

Ref. No.	Part No.	Qty.	Description
1	92-1057	2	Bolt-Shoulder
2	92-1042	2	Wheel & Tire ASM
2:1	27-6250	2	Bushing
3	65-2720	4	Klipring-Locking
4	65-4740	4	Washer-Thrust, Keyed
5	66-6050	1	Key-Rocking, LH
6	66-6040	1	Key-Rocking, RH
7	65-4710	2	Ring-Friction
8	92-7746	2	Rear Height Adjustment Arm ASM
8:2	70-9760	1	Bushing
8:3	47-2900	1	Bushing
8:4	302-56	1	Fitting-Grease
9	92-1008	2	Knob-Lever, Height Adjustment
10	614447	2	Spacer-Axle Shaft
11	32144-85	2	Screw-HWH
12	92-1004	2	Rear Spring Arm ASM
13	603773	2	Nut
14	65-4730	2	Washer-Arm, Pivot
15	65-4760	2	Washer-Clutch
16	65-4750	2	Gear-Pinion
17	65-4720	2	Spring-Compression
18	94-1609	2	Cover-Wheel
19	614426	2	Washer-Stepped

Ref. No.	Part No.	Qty.	Description

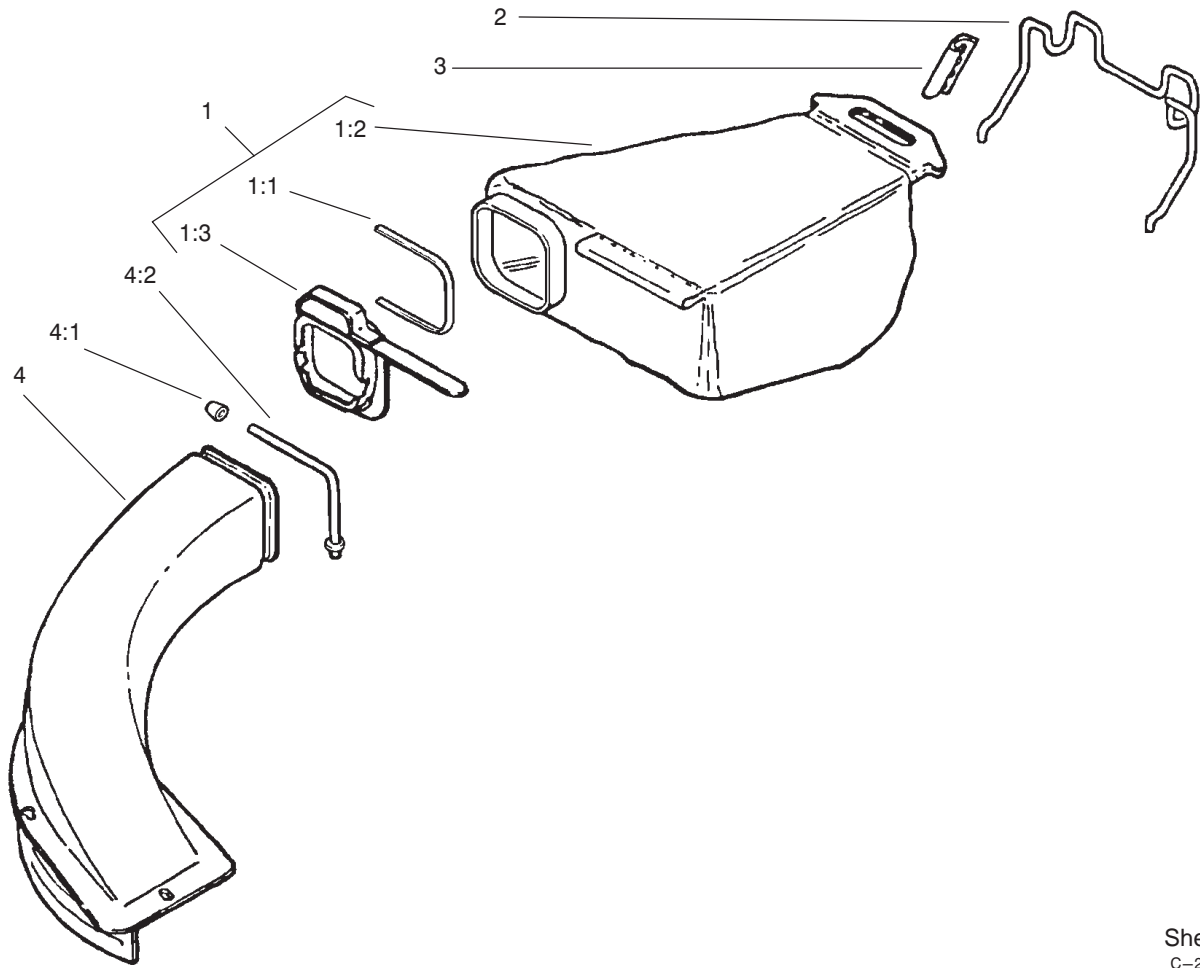


Sheet No.:5

Handle And Controls Assembly

Ref. No.	Part No.	Qty.	Description
1	104-1013	1	Guard-Cable
2	614643-05	1	Handle-Lower
3	100-5983	1	Cable-Brake
4	3296-73	2	Nut-Lock, NI
5	93-7383	1	Guide-Rope
6	321-50	1	Screw-HH
7	612824	1	Clip-Starter
8	612825	1	Handle-Start
9	100-2888-05	1	Handle-Upper
10	92-5412	2	Stop-Pivot
11	93-4184-03	1	Bail-Brake
13	92-1001-03	1	Bail-Control
14	100-5990	1	Cable-Ground Speed
15	92-7729	1	Anchor-Upper, Cable
16	321-55	1	Screw-HH
17	100-5987	1	Throttle Control ASM
18	3256-1	1	Washer-Flat
19	614697	2	Screw
20	98-7134	2	Knob-Handle
21	93-7380	1	Anchor-Cable

Ref. No.	Part No.	Qty.	Description

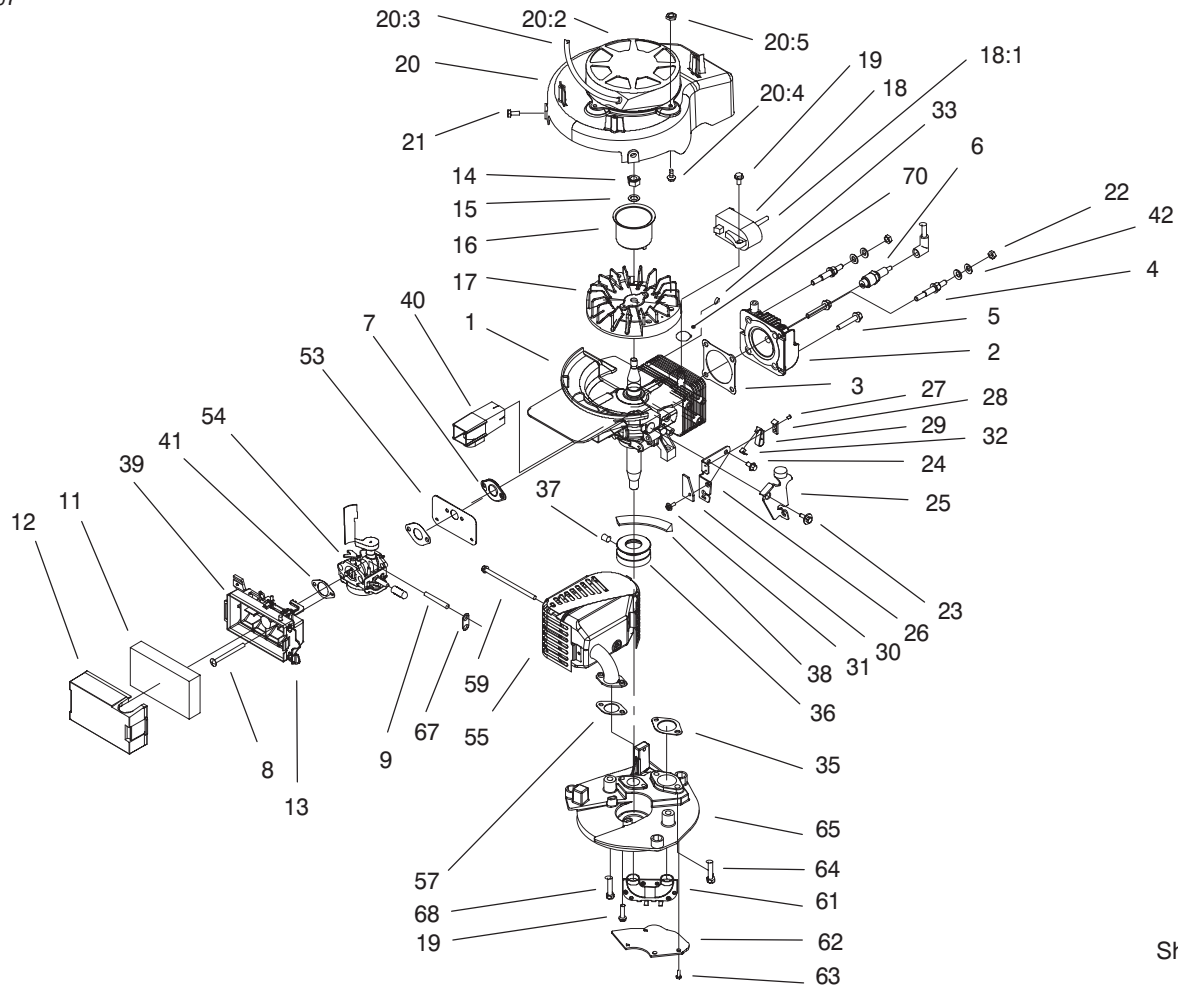


Sheet No.:7
C-2955

Grass Bagging Assembly

Ref. No.	Part No.	Qty.	Description
1	100-6361	1	Bag & Adapter ASM. (only on: 10324, 10324c)
1:1	614700	1	Strap-Tie (only on: 10324, 10324c)
1:2	100-6362	1	Replacement Bag ASM. (only on: 10324, 10324c)
1:3	684727-03	1	Adapter (only on: 10324, 10324c)
2	613455	1	Hanger-Wire (only on: 10324, 10324c)
3	613462-03	2	Clamp-Hanger (only on: 10324, 10324c)
4	684729	1	Chute & Support ASM (only on: 10324, 10324c)
4:1	614589	1	Nut-Cap (only on: 10324, 10324c)
4:2	614591	1	Support-Chute (only on: 10324, 10324c)

Ref. No.	Part No.	Qty.	Description



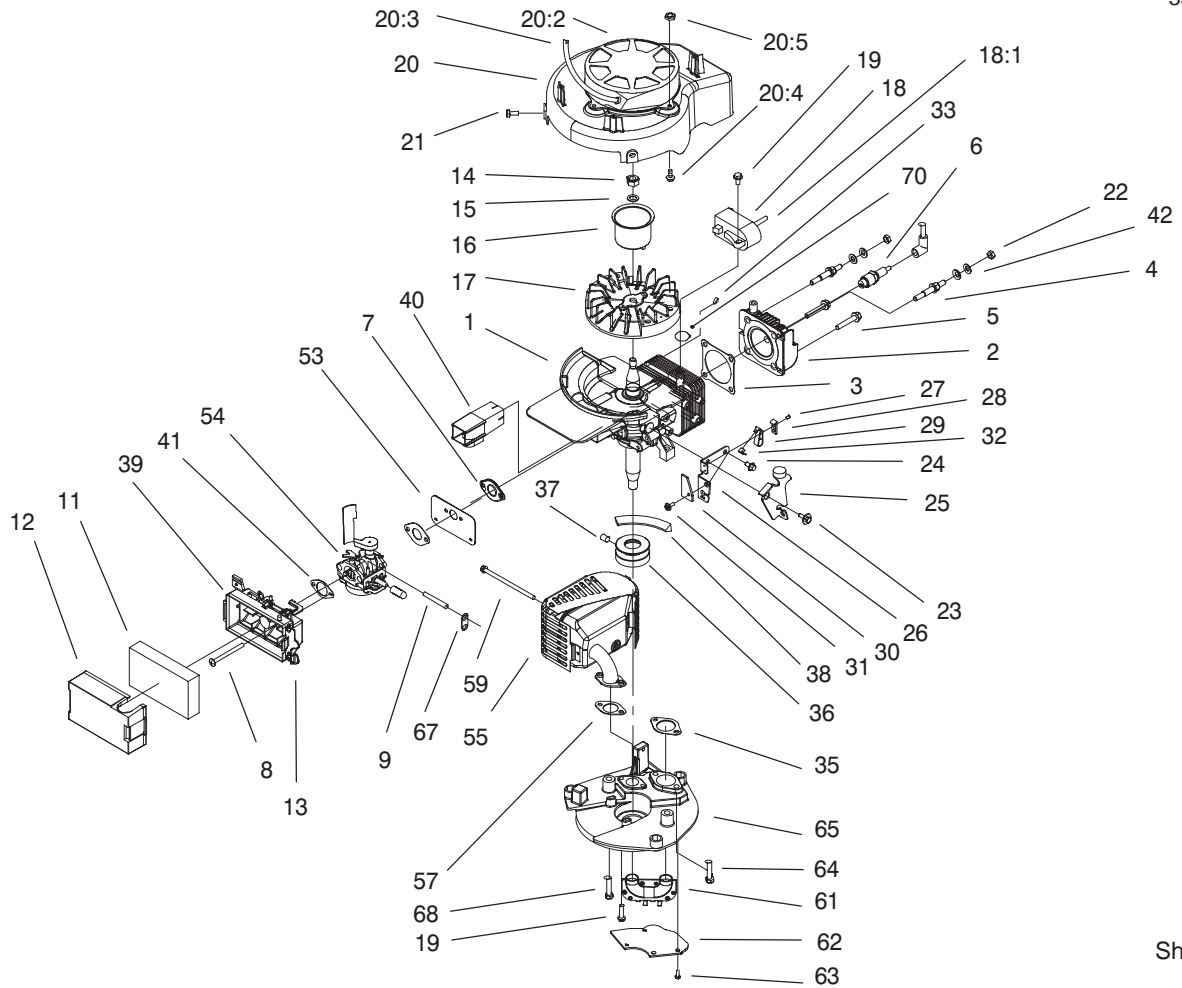
Sheet No.:2

Engine Assembly No. 98-1393

Ref. No.	Part No.	Qty.	Description
1	95-7636	1	Short Block ASM
2	94-5776	1	Head-Cylinder
3	94-5778	1	Gasket-Head
4	94-5779	2	Stud
5	94-5780	2	Bolt - Head
6	50-1170	1	Plug-Spark
7	94-5795	2	Gasket-Intake
8	612507	2	Screw
9	95-1861	1	Hose-Primer
11	95-5574	1	Filter-Air
12	95-5577	1	Cover-Filter, Air
13	610383	1	Retainer-Cover, Filter
14	130743	1	Nut
15	316959	1	Washer-Lock
16	95-1786	1	Cup-Starter
17	95-1866	1	Flywheel
18	99-2911	1	Module-Ign.
18:2	99-6719	1	Lead-Tension, High
19	613208	4	Screw
20	95-1868	1	Shroud-Recoil
20:2	99-6713	1	Recoil And Decal ASM
20:3	613773	1	Rope
20:4	3290-321	4	Screw-HWH
20:5	3296-2	4	Nut-Lock
21	700094	2	Screw-HH
22	146501	2	Nut

Ref. No.	Part No.	Qty.	Description
23	95-1870	1	Screw-Shoulder
24	95-1871	1	Screw-HWH
25	93-4312	1	Brake Plate ASM
26	84-7820	1	Plate-Brake
27	3290-459	2	Rivet-Plastic
28	92-2925	1	Strap-Insulation
29	60-9010	1	Strap-Ground
30	100-2929	1	Stop-Strap, Ground
31	12-5450	1	Screw
32	98-7037	1	Lead Wire-Switch, Brake
33	607199	1	Key
35	95-1778	1	Gasket-Exhaust
36	95-1878	1	Pulley
37	104-0214	1	Screw-Set, Cone Point
38	92-1043	1	V-Belt
39	95-5588	1	Air Base ASM
40	95-5578	1	Tunnel-Inlet
41	95-7613	1	Gasket-Filter
42	3290-456	4	Washer-Belleliver
*51	609790	1	Sealer-Loctite 50cc
53	98-1388	1	Shield-Carburetor

* Not illustrated

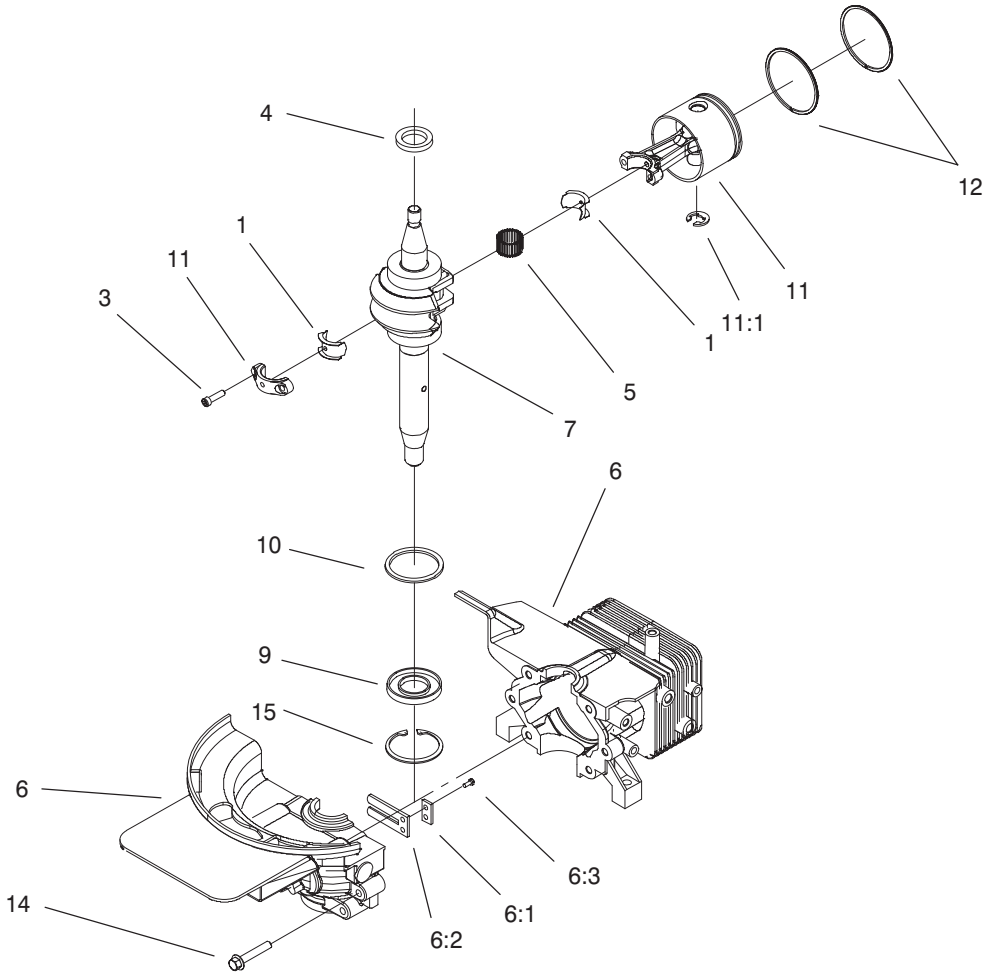


Sheet No.:2

Engine Assembly No. 98-1393 (Continued)

Ref. No.	Part No.	Qty.	Description
54	98-7042	1	Carburetor ASM
54		1	Carburetor ASM
55	100-9514	1	Muffler And Guard ASM
57	98-1392	1	Gasket
59	611228	1	Bolt-Console
61	98-1557	1	Pipe-Transfer
62	98-1591	1	Cover-Muffler
63	700822	4	Screw-HH
64	322-17	2	Screw-HH
65	98-1384	1	Plate-Muffler
67	95-7615	1	Hose-Retainer
68	322-7	2	Screw-HH
70	317893	1	Strap-Tie

Ref. No.	Part No.	Qty.	Description

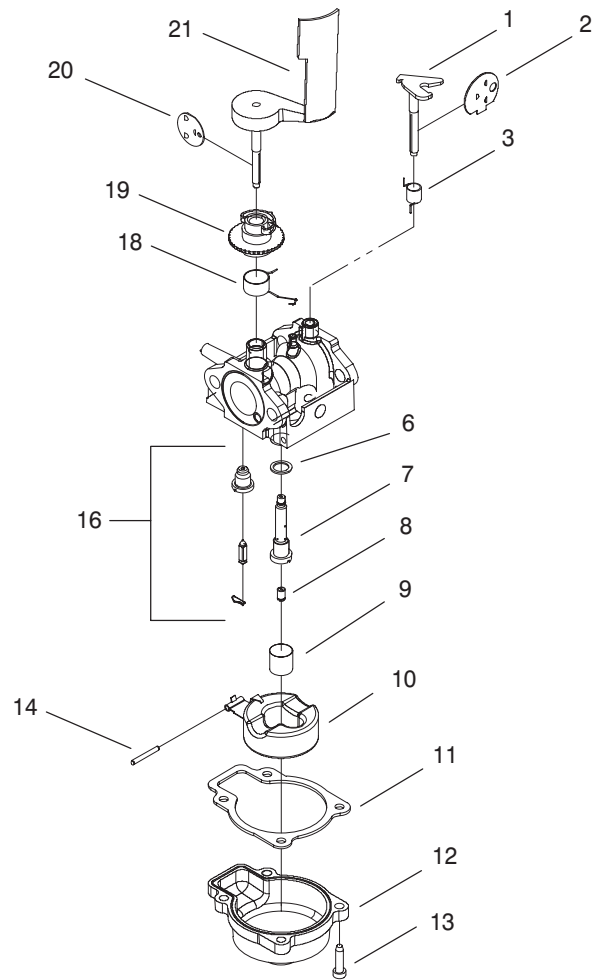


Short Block Assembly No. 95-7636

Ref. No.	Part No.	Qty.	Description
1	677982	1	Liner ASM
*2	610372	1	Sealer-Loctite 6cc
*2	609790	1	Sealer-Loctite 50cc
3	611393	2	Screw-HSH
4	611396	1	Seal-Oil
5	683911	1	Bearing-Needle
6		1	Cylinder And Crankcase ASM
6	95-7631	1	Cylinder And Crankcase ASM
6:1	602587	1	Plate-Backup, Reed
6:2	602588	1	Reed-Carburetor
6:3	612872	2	Screw-HH
7	99-2920	1	Crankshaft And Bearing ASM
9	94-5764	1	Seal-Oil
10	94-5765	1	Ring-Retaining
11		1	Piston And Connecting Rod ASM
11:1	303712	2	Ring - Retaining
*11:2	95-7629	1	Connecting Rod ASM
*11:4	94-5774	1	Pin-Wrist
*11:5	100-2916	1	Piston And Rings ASM
12	100-2917	1	Set-Ring
14	94-5781	6	Screw
15	98-7046	1	Ring - Retaining

Ref. No.	Part No.	Qty.	Description

* Not illustrated



Sheet No.:A2

Carburetor Assembly No. 98-7042

Ref. No.	Part No.	Qty.	Description	Ref. No.	Part No.	Qty.	Description
1	95-5581	1	Shaft-Choke				
2	94-5788	1	Disc-Choke				
3	95-5583	1	Spring-Choke				
6	612383	1	Washer				
7	98-7001	1	Nozzle				
8	98-1357	1	Jet-Main				
9	94-5787	1	Filter-Fuel				
10	95-1899	1	Float & Arm ASM				
11	98-1362	1	Gasket				
12	92-9691	1	Chamber-Float				
13	608850	4	Screw-HH				
14	92-6389	1	Pin-Straight				
16	92-9697	1	Valve/Seat-Float				
18	98-7011	1	Spring-Throttle				
19	610834	1	Collar-Adjust, Airvane				
20	104-4431	1	Throttle-Disc				
21	104-4430	1	Air Vane And Shaft				

Maintenance Record

Date								

Maintenance Record

Date								

LAWN-BOY®