



Count on it.

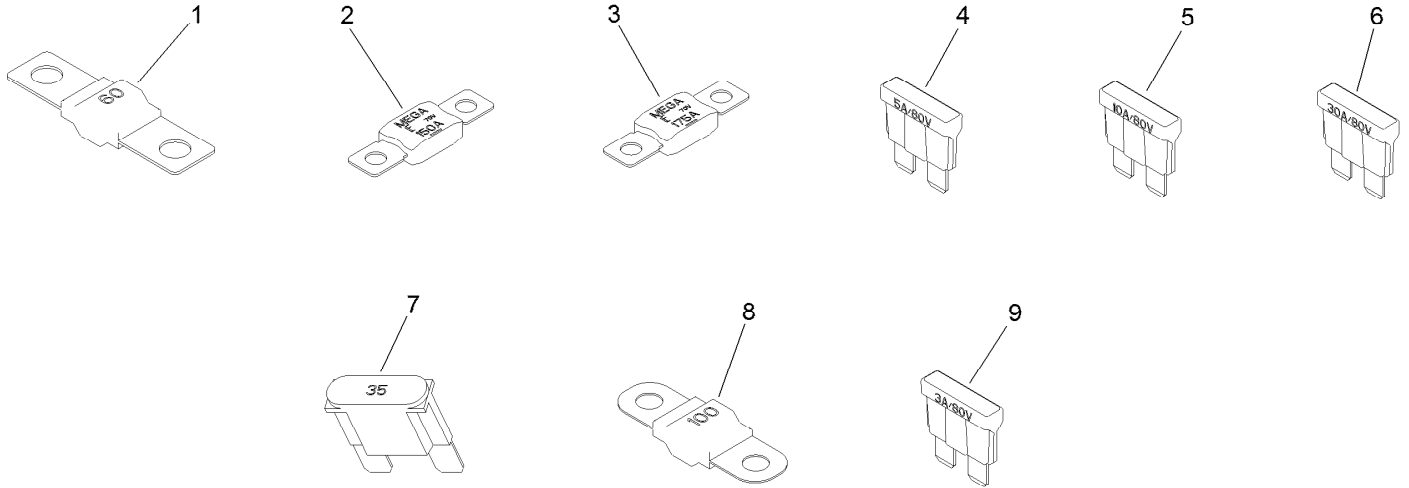
Parts Catalog

Fuse Kit

**Greensmaster® 3360 or 3370 eTriFlex
Traction Unit**

Model No. 139-8482





Fuse Kit No. 139-8482

Ref.	Part Number	Qty.	Description
1	122-3646	2	Fuse-80A
2	137-7722	1	Fuse-150 Amp
3	139-8414	1	Fuse-175 Amp
4	117-4722	1	Fuse-Blade, 5A
5	117-4724	5	Fuse-Blade, 10A
6	117-4728	1	Fuse-Blade, 30A
7	122-0255	3	Fuse-Maxi, 35 Amp-58V
8	137-7708	1	Fuse-100 Amp
9	117-4720	1	Fuse-Blade, 3A