



**Count on it.**

**Parts Catalog**

**Groundsmaster® 4010**

**Rotary Mower**

Model No. 30636—Serial No. 403450001 and Up



# Ordering Replacement Parts

To order replacement parts, please supply the part number, the quantity, and the description of each part desired.

## Understanding Reference Numbers

Each identified part in an illustration has a reference number. The reference number for a part also appears in the parts list, along with other information about the part.

This catalog uses two special reference number formats, one to indicate parts in a service assembly and another to indicate the quantity of a given part in an illustration.

## Service Assembly Reference Numbers

Parts in service assemblies have reference numbers in the form a:b. The a represents the reference number of the entire service assembly and the b represents a sequential number unique to each part within the service assembly.

For example, a wheel assembly might be identified by reference number 6, the tire by 6:1, the valve by 6:2, and the wheel by 6:3. When you order the assembly identified by reference number 6, you receive all parts identified by reference numbers 6:1, 6:2, and 6:3. However, you may also order any part individually. Reference numbers of this type appear in illustration and in parts lists.

## Reference Numbers Indicating Quantity

In an illustration, if a reference number indicates more than one part, the reference number has the form nX y. The n represents the quantity of the part, the X is the multiplication symbol, and the y represents the reference number.

For example, in an illustration, the reference number 2X 37 means that two of the parts identified by reference number 37 are indicated.

# Contents

|   |    |
|---|----|
| Front Frame and Steering Assembly                           | 6  |
| Planetary Assembly No. 136-2913                             | 7  |
| LH Brake Assembly No. 100-3070-03                           | 8  |
| RH Brake Assembly No. 100-3069-03                           | 9  |
| Battery, Shield and Rear Cover Assembly                     | 10 |
| Wing Lift Arm Assembly                                      | 11 |
| Hydraulic Cylinder Assembly No. 139-0956                    | 13 |
| Impact Arm Assembly   | 14 |
| Frame, Bumper and Proximity Sensor Assembly                 | 16 |
| Cab Step Assembly   | 17 |
| Flywheel and Motor Mount Assembly                           | 18 |
| Radiator Assembly   | 19 |
| Fan Mounting and Hardline Assembly                          | 21 |
| Hydraulic Motor Assembly No. 117-4769                       | 22 |
| Engine and Controller Assembly                              | 23 |
| Air Conditioner Compressor Assembly                         | 24 |
| Washer Fluid Bottle Assembly                                | 25 |
| Rear Axle and Steering Cylinder Assembly                    | 26 |
| Bevel Pinion Shaft Assembly Rear Axle Assembly No. 110-4750 | 28 |
| Differential Assembly Rear Axle Assembly No. 110-4750       | 29 |
| Axle Support Assembly Rear Axle Assembly No. 110-4750       | 30 |
| Bevel Gear Case Assembly Rear Axle Assembly No. 110-4750    | 31 |
| Bevel Gear Shaft Assembly Rear Axle Assembly No. 110-4750   | 32 |
| Axle Case Assembly Rear Axle Assembly No. 110-4750          | 33 |
| Axle Assembly Rear Axle Assembly No. 110-4750               | 34 |
| Hydraulic Motor Assembly No. 120-8814                       | 35 |
| Steering Cylinder Assembly No. 121-1534                     | 36 |
| Hydraulic Fitting Assembly                                  | 37 |
| Hose and Tube Routing Assembly                              | 38 |
| Fuel Tank and Air Cleaner Assembly                          | 39 |
| Air Cleaner Assembly No. 99-5410                            | 40 |
| Hood Assembly   | 41 |
| Fuel/Water Separator and Shield Assembly                    | 42 |
| Front Deck Installation Assembly                            | 43 |
| Hydraulic Motor Assembly No. 127-3694                       | 45 |
| Lift Cylinder Assembly No. 120-8802                         | 46 |
| Front Deck Hydraulic Fitting Assembly                       | 47 |
| Front Deck Hose Routing Assembly                            | 48 |
| Front Deck Idler and Skid Assembly                          | 50 |
| Double Driven Spindle Assembly No. 119-4548                 | 52 |
| High Driven Spindle Assembly No. 119-4549                   | 54 |
| Front Deck Caster Arm and Wheel Assembly                    | 55 |
| Driving Spindle Assembly                                    | 56 |
| Driven Spindle Assembly No. 119-4547                        | 58 |
| Cutting Chamber, Cover and Roller Assembly                  | 60 |
| Right Deck Mount Assembly                                   | 62 |
| Right Deck Hydraulic Fitting Assembly                       | 63 |
| Right Deck Hose Assembly                                    | 64 |
| Right Deck, Idler and Skid Assembly                         | 66 |
| Low Driven Spindle Assembly No. 119-4776                    | 68 |
| Right Hand and Left Hand Castor Arm and Wheel Assembly      | 70 |
| Deck Driving Spindle Assembly                               | 72 |
| Right Deck Discharge Chamber and Cover Assembly             | 74 |
| Left Deck Mount Assembly                                    | 76 |

# Contents (continued)

|   |     |
|---|-----|
| Left Deck Hydraulic Fitting Assembly .....                | 77  |
| Left Deck Hose Assembly .....                             | 78  |
| Left Deck, Idler and Skid Assembly .....                  | 80  |
| Left Deck Discharge Chamber and Cover Assembly .....      | 82  |
| Traction Pedal and Platform Assembly .....                | 84  |
| Brake Pedal Assembly .....                                | 86  |
| Seat Base and Seat Assembly .....                         | 87  |
| Cloth Premium Seat Assembly No. 117-9429 .....            | 89  |
| Seat Suspension Assembly No. 130-2702 .....               | 90  |
| Steering and Controller Assembly .....                    | 92  |
| Steering Column Assembly No. 132-6230 .....               | 94  |
| RH Fender Assembly .....                                  | 95  |
| Fender Assembly .....                                     | 96  |
| Acoustic Foam, Panel and Cover Assembly .....             | 97  |
| Platform Wire Harness and Fuse Assembly .....             | 98  |
| Rear Wire Harness Assembly .....                          | 99  |
| Battery Cable and Ground Assembly .....                   | 100 |
| Engine Harness Assembly .....                             | 101 |
| Piston Pump and Gear Pump Assembly .....                  | 102 |
| 4-Section Gear Pump Assembly No. 120-8904 .....           | 104 |
| Hydraulic Pump Assembly No. 132-6100 .....                | 106 |
| Combination Manifold Assembly .....                       | 108 |
| Combination Manifold Assembly No. 137-5582 .....          | 109 |
| Manifold Block Assembly .....                             | 111 |
| Left PTO Manifold Assembly No. 131-1249 .....             | 113 |
| Rear Traction Manifold Assembly No. 121-1530 .....        | 114 |
| Center and Right PTO Manifold Assembly No. 131-1248 ..... | 115 |
| Flow Divider Manifold Assembly No. 121-1550 .....         | 116 |
| Drive Motor, Steer Valve and Filter Head Assembly .....   | 117 |
| Hydraulic Motor Assembly No. 120-8812 .....               | 118 |
| Steering Valve Assembly No. 132-6256 .....                | 119 |
| Hydraulic Reservoir Assembly .....                        | 120 |
| Lift, Steer and Fan Hydraulic Assembly .....              | 122 |
| Oil Cooler Hydraulic Assembly .....                       | 124 |
| Traction Hydraulic Assembly .....                         | 125 |
| Armrest Control Panel Assembly .....                      | 126 |
| Cab, Tool Box and Flooring Assembly .....                 | 128 |
| Frame, Mount and Seal Assembly .....                      | 130 |
| Cab Headliner Assembly .....                              | 132 |
| Air Conditioning Duct Assembly No. 132-3468 .....         | 134 |
| Fan Panel Assembly No. 132-3488 .....                     | 136 |
| Window, Door and Striker Assembly .....                   | 138 |
| RH Door Assembly .....                                    | 140 |
| LH Door Assembly .....                                    | 141 |
| Engine Hose Routing Assembly .....                        | 142 |
| Pre-Filter Screen Assembly .....                          | 144 |
| Interior Foam Assembly .....                              | 146 |
| Roof and Headliner Assembly .....                         | 148 |
| Headliner Wire Harness and Control Assembly .....         | 150 |
| Mixing Box Mounting Bracket and Water Tray Assembly ..... | 152 |
| Blower Fan and Evaporator Core Assembly .....             | 154 |
| Heat/Air Conditioner Housing Assembly .....               | 156 |
| Air Diverter and Expansion Valve Assembly .....           | 158 |
| Air Diverter Assembly No. 121-8369 .....                  | 160 |

## Contents (continued)

|  |     |
|--|-----|
| Cylinder Block Assembly . . . . .                | 162 |
| Gear Housing Assembly . . . . .                  | 163 |
| Cylinder Head and Cover Assembly . . . . .       | 164 |
| Flywheel Housing and Oil Sump Assembly . . . . . | 166 |
| Suction Manifold Assembly . . . . .              | 167 |
| Diesel Particulate Filter Assembly . . . . .     | 168 |
| Camshaft and Driving Gear Assembly . . . . .     | 170 |
| Fuel System Assembly . . . . .                   | 172 |
| Turbine Assembly . . . . .                       | 173 |
| Crankshaft and Piston Assembly . . . . .         | 174 |
| Lubrication and Oil System Assembly . . . . .    | 175 |
| Lubrication Oil Line Assembly . . . . .          | 176 |
| Exhaust Manifold Assembly . . . . .              | 177 |
| Cooling Water System Assembly . . . . .          | 178 |
| Fuel Injection Valve Assembly . . . . .          | 179 |
| Fuel Line Assembly . . . . .                     | 180 |
| Starting Motor Assembly . . . . .                | 181 |
| Generator Assembly . . . . .                     | 182 |
| Electric Parts Assembly . . . . .                | 183 |
| Gasket Set . . . . .                             | 184 |
| Attachments and Accessories . . . . .            | 186 |



## Front Frame and Steering Assembly

| Ref. | Part Number | Qty. | Description              | Ref. | Part Number | Qty. | Description       |
|------|-------------|------|--------------------------|------|-------------|------|-------------------|
| 1    | 99-5107     | 6    | Nut-Lock                 | 11   | 100-3017    | 2    | *obs Pin-Lift Arm |
| 2    | 3256-26     | 6    | Washer-Flat              | 12   | 100-6116    | 4    | Screw-HHF         |
| 3    | 3272-30     | 4    | Pin-Cotter               | 13   | 93-7984     | 2    | Gasket            |
| 4    | 3256-29     | 8    | Washer-Flat              | 14   | 100-3070-03 | 1    | Brake ASM         |
| 5    | 110-6006    | 2    | Pin-Clevis               | 15   | 33106-080   | 8    | Screw-HHF         |
| 6    | 93-7972     | 4    | Ring-Retaining, Internal | 16   | 3218-4      | 2    | Nut-Jam           |
| 7    | 100-3046    | 2    | Shaft-Brake, Splined     | 17   | 3296-49     | 2    | Nut-Lock, NI      |
| 8    | 136-2913    | 2    | Planetary ASM            | 18   | 33106-030   | 12   | Screw-HHF         |
| 9    |             | 2    | Wheel And Tire ASM ●     | 19   | 325-13      | 2    | Screw-HH          |
| 9:1  | 119-8313    | 1    | Tire                     | 25   | 100-3069-03 | 1    | Brake ASM         |
| 9:2  | 136-4391    | 1    | Rim                      | 26   | 132-6250-03 | 1    | Frame-Front       |
| 9:3  | 232-27      | 1    | Stem-Valve               | 38   | 242-50      | 16   | Nut-Lug           |
| 10   | 32121-110   | 2    | Pin-Roll, Slotted        |      |             |      |                   |

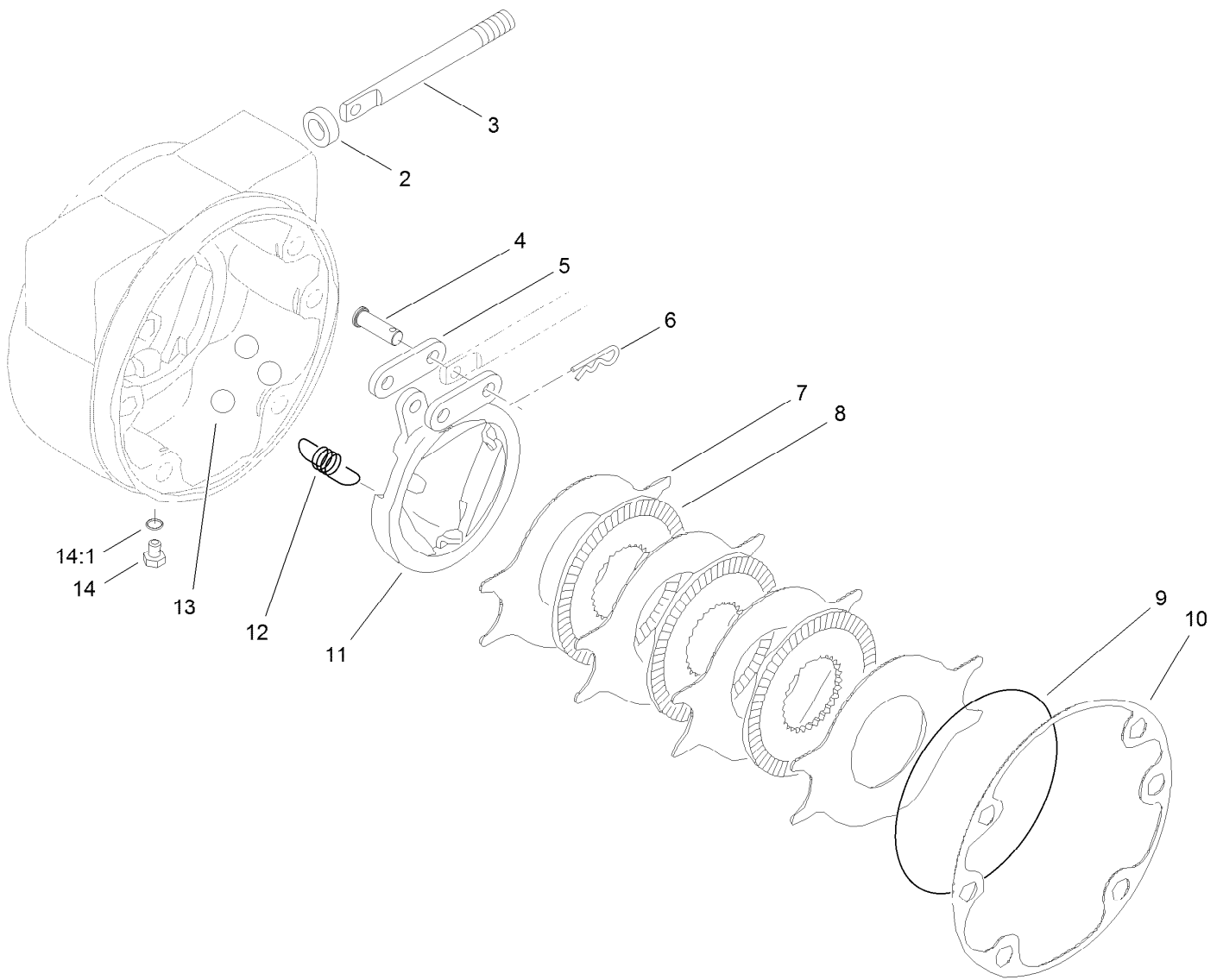
● Not serviced separately



## Planetary Assembly No. 136-2913

| Ref. | Part Number | Qty. | Description       | Ref. | Part Number | Qty. | Description           |
|------|-------------|------|-------------------|------|-------------|------|-----------------------|
| 1    |             | 1    | Spindle ●         | 18   | 237-78      | 1    | O-Ring                |
| 2    | 138-1204    | 1    | Seal-Boot         | 19   | 138-1211    | 2    | Plug-Flange, Magnetic |
| 3    |             | 1    | Seal-Lip ●        | 20   | 138-1212    | 2    | O-Ring                |
| 4    | 138-1205    | 2    | Bearing-Cup       | 21   | 138-1213    | 1    | Cap-End               |
| 5    | 138-1206    | 2    | Bearing-Cone      | 22   | 138-1214    | 1    | Washer-Thrust, Sun    |
| 6    | 105-8124    | 8    | Stud-Wheel        | 23   | 105-8131    | 2    | Ring-Retaining        |
| 7    | 138-1207    | 8    | Screw-Socket Head | 24   |             | 1    | O-Ring ●              |
| 8    | 138-1208    | 8    | Washer-Lock       | 25   | 138-1215    | 1    | Gear-Primary, Sun     |
| 9    |             | 1    | Housing ●         | 26   | 138-1216    | 1    | Shaft-Drive           |
| 10   | 105-8121    | 4    | Pin-Dowel         | 27   | 138-1217    | 1    | Primary Carrier ASM   |
| 11   |             | 1    | O-Ring ●          | 28   | 138-1218    | 1    | Secondary Carrier ASM |
| 12   | 138-6928    | 1    | Spacer            | 29   | 138-1219    | 1    | Seal Kit              |
| 13   | 138-6929    | 1    | Washer            | 29:1 |             | 1    | Seal-Lip ●            |
| 14   | 138-6930    | 1    | Nut-Lock          | 29:2 |             | 1    | O-Ring ●              |
| 15   | 138-1209    | 1    | Gear-Ring         | 29:3 |             | 1    | O-Ring ●              |
| 16   | 138-1210    | 1    | Ring-Snap         | 29:4 |             | 1    | O-Ring ●              |
| 17   | 353-990     | 1    | Plug ASM          | 29:5 |             | 1    | O-Ring ●              |
| 17:1 | 237-78      | 1    | O-Ring            |      |             |      |                       |

● Not serviced separately



## LH Brake Assembly No. 100-3070-03

| <i>Ref.</i> | <i>Part Number</i> | <i>Qty.</i> | <i>Description</i> |
|-------------|--------------------|-------------|--------------------|
| 2           | 93-7977            | 1           | Seal               |
| 3           | 93-7978            | 1           | Rod-Pull           |
| 4           | 93-7983            | 2           | Pin-Clevis         |
| 5           | 93-7980            | 2           | Link               |
| 6           | 93-7979            | 2           | Pin-Hitch          |
| 7           | 93-7986            | 4           | Disc-Stationary    |
| 8           | 104-4278           | 3           | Disc-Rotating      |
| 9           | 93-7976            | 1           | Ring-Retaining     |
| 10          | 93-7984            | 1           | Gasket             |
| 11          | 104-4279           | 1           | Actuator-Rotating  |
| 12          | 93-7987            | 3           | Spring-Extension   |
| 13          | 93-7985            | 3           | Ball               |
| 14          | 353-990            | 2           | Plug ASM           |
| 14:1        | 237-78             | 1           | O-Ring             |





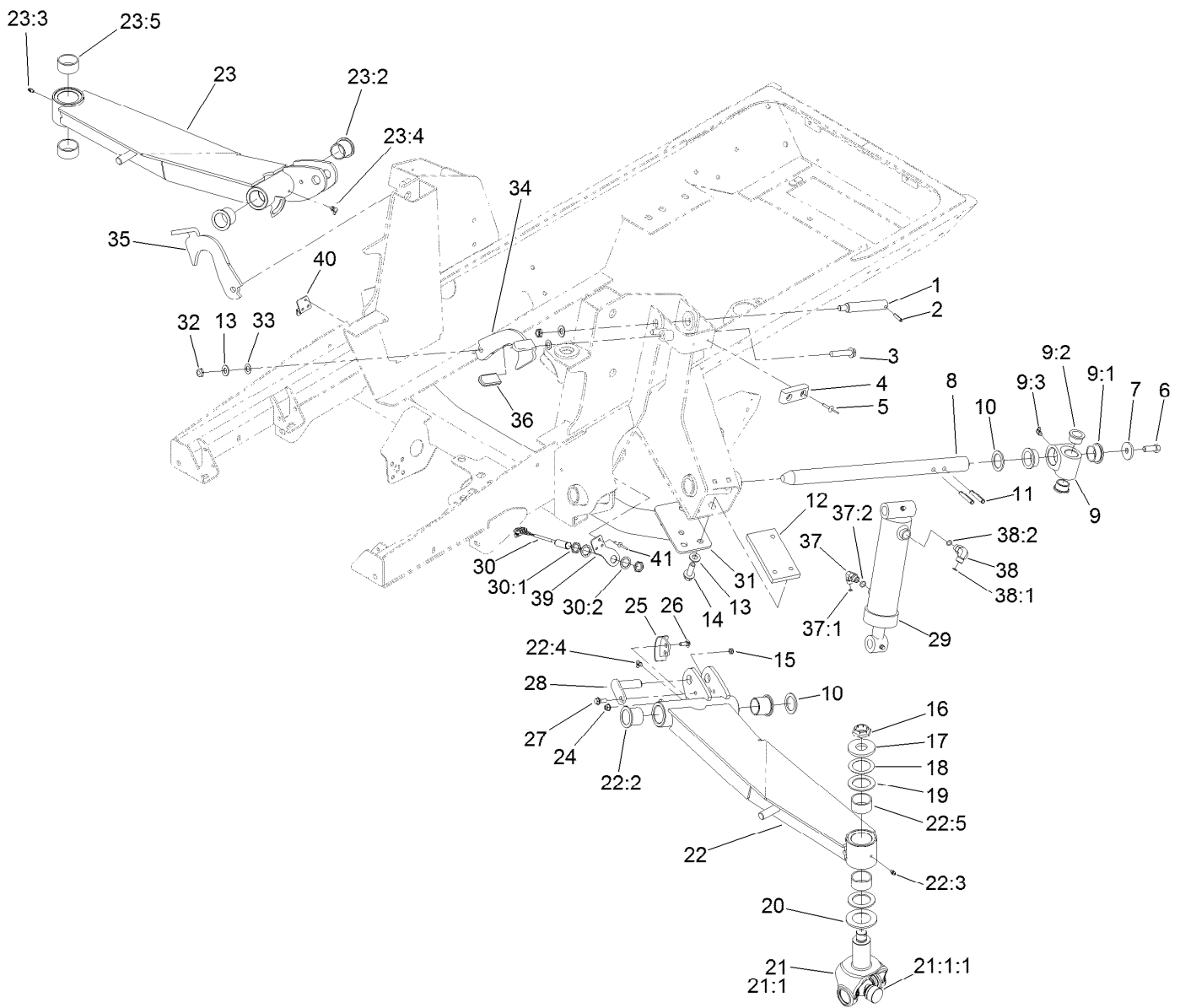
## RH Brake Assembly No. 100-3069-03

| <i>Ref.</i> | <i>Part Number</i> | <i>Qty.</i> | <i>Description</i> |
|-------------|--------------------|-------------|--------------------|
| 2           | 93-7977            | 1           | Seal               |
| 3           | 93-7978            | 1           | Rod-Pull           |
| 4           | 93-7983            | 2           | Pin-Clevis         |
| 5           | 93-7980            | 2           | Link               |
| 6           | 93-7979            | 2           | Pin-Hitch          |
| 7           | 93-7986            | 4           | Disc-Stationary    |
| 8           | 104-4278           | 3           | Disc-Rotating      |
| 9           | 93-7976            | 1           | Ring-Retaining     |
| 10          | 93-7984            | 1           | Gasket             |
| 11          | 104-4280           | 1           | Actuator-Rotating  |
| 12          | 93-7987            | 3           | Spring-Extension   |
| 13          | 93-7985            | 3           | Ball               |
| 14          | 353-990            | 2           | Plug ASM           |
| 14:1        | 237-78             | 1           | O-Ring             |



## Battery, Shield and Rear Cover Assembly

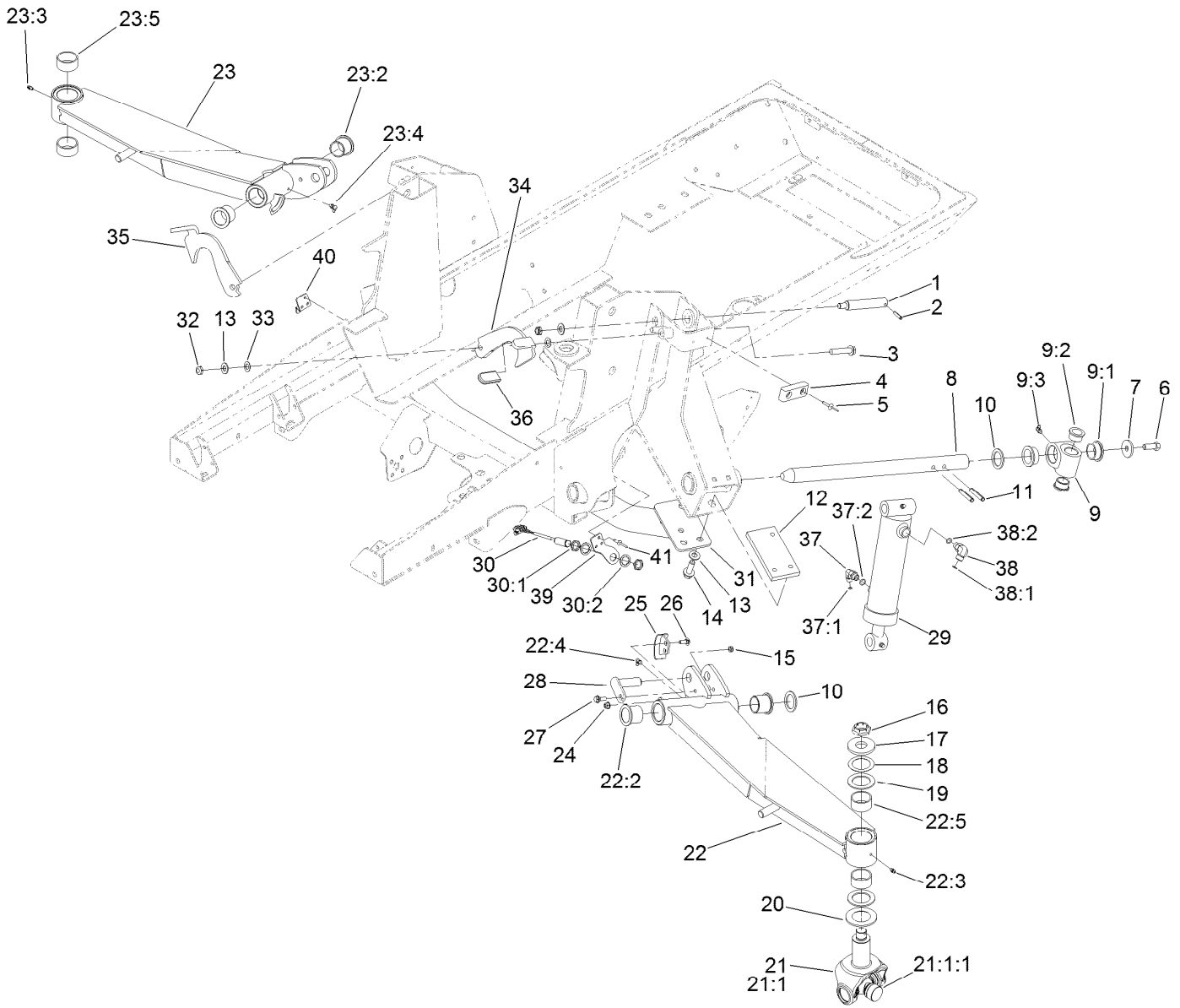
| <i>Ref.</i> | <i>Part Number</i> | <i>Qty.</i> | <i>Description</i> |
|-------------|--------------------|-------------|--------------------|
| 3           | 131-1246-03        | 1           | Plate-Cover        |
| 4           | 3256-3             | 2           | Washer-Flat        |
| 5           | 32104-6            | 2           | Screw-HH, TAP      |
| 11          | 3230-23            | 2           | Bolt-CARR          |
| 12          | 121-1512-03        | 1           | Shield-Battery     |
| 13          | 104-8300           | 2           | Nut-HF, NI         |
| 14          | 3231-5             | 1           | Screw-CARR         |
| 15          | 138-6335           | 1           | Retainer-Battery   |
| 16          | 104-8301           | 1           | Nut-HF, NI         |
| 17          | 139-1005           | 1           | Battery Kit        |
| 17:1        | 127-7507           | 1           | Battery            |
| 17:2        | 139-1006           | 1           | Decal              |



## Wing Lift Arm Assembly

| Ref. | Part Number | Qty. | Description           | Ref.   | Part Number | Qty. | Description           |
|------|-------------|------|-----------------------|--------|-------------|------|-----------------------|
| 1    | 104-3537    | 2    | Pin-Cylinder          | 16     | 116-1399    | 2    | Locknut               |
| 2    | 32121-9     | 2    | Pin-Roll, Slotted     | 17     | 104-0719    | 2    | Washer-Hardened       |
| 3    | 3234-46     | 2    | Screw-HHF             | 18     | 114-5641    | 2    | Washer-Thrust         |
| 4    | 86-5350     | 2    | Bumper-Rubber         | 19     | 104-0721    | 4    | Washer-Thrust         |
| 5    | 3269-11     | 4    | Rivet-Pop             | 20     | 104-0720    | 2    | Spacer                |
| 6    | 325-5       | 2    | Screw-HH              | 21     | 114-5640-03 | 2    | Joint Yoke ASM        |
| 7    | 106-2008    | 2    | Washer-Thrust         | 21:1   |             | 1    | Yoke-Joint ●          |
| 8    | 121-3882    | 2    | Shaft-Pivot, Lift Arm | 21:1:1 | 104-4299    | 1    | Cross And Bearing Kit |
| 9    | 115-5468    | 2    | Pivot Hub ASM         | 22     | 132-6210    | 1    | LH Lift Arm ASM       |
| 9:1  | 115-5469    | 2    | Bushing-Flange        | 22:2   | 69-6470     | 2    | Bushing-Caster        |
| 9:2  | 114-5680    | 2    | Bushing-Flange        | 22:3   | 302-5       | 1    | Fitting-Grease        |
| 9:3  | 302-60      | 1    | Fitting-Grease        | 22:4   | 302-60      | 1    | Fitting-Grease        |
| 10   | 256-304     | 4    | Washer-Thrust         | 22:5   | 114-5596    | 2    | Bushing-Straight      |
| 11   | 117-5479    | 4    | Pin-Spring            | 23     | 132-6217    | 1    | RH Lift Arm ASM       |
| 12   | 120-8859-03 | 2    | Block-Tapped          | 23:2   | 69-6470     | 2    | Bushing-Caster        |
| 13   | 3256-26     | 10   | Washer-Flat           | 23:3   | 302-5       | 1    | Fitting-Grease        |
| 14   | 100-6116    | 6    | Screw-HHF             | 23:4   | 302-60      | 1    | Fitting-Grease        |
| 15   | 3296-47     | 2    | Nut-Lock,NI           | 23:5   | 114-5596    | 2    | Bushing-Straight      |

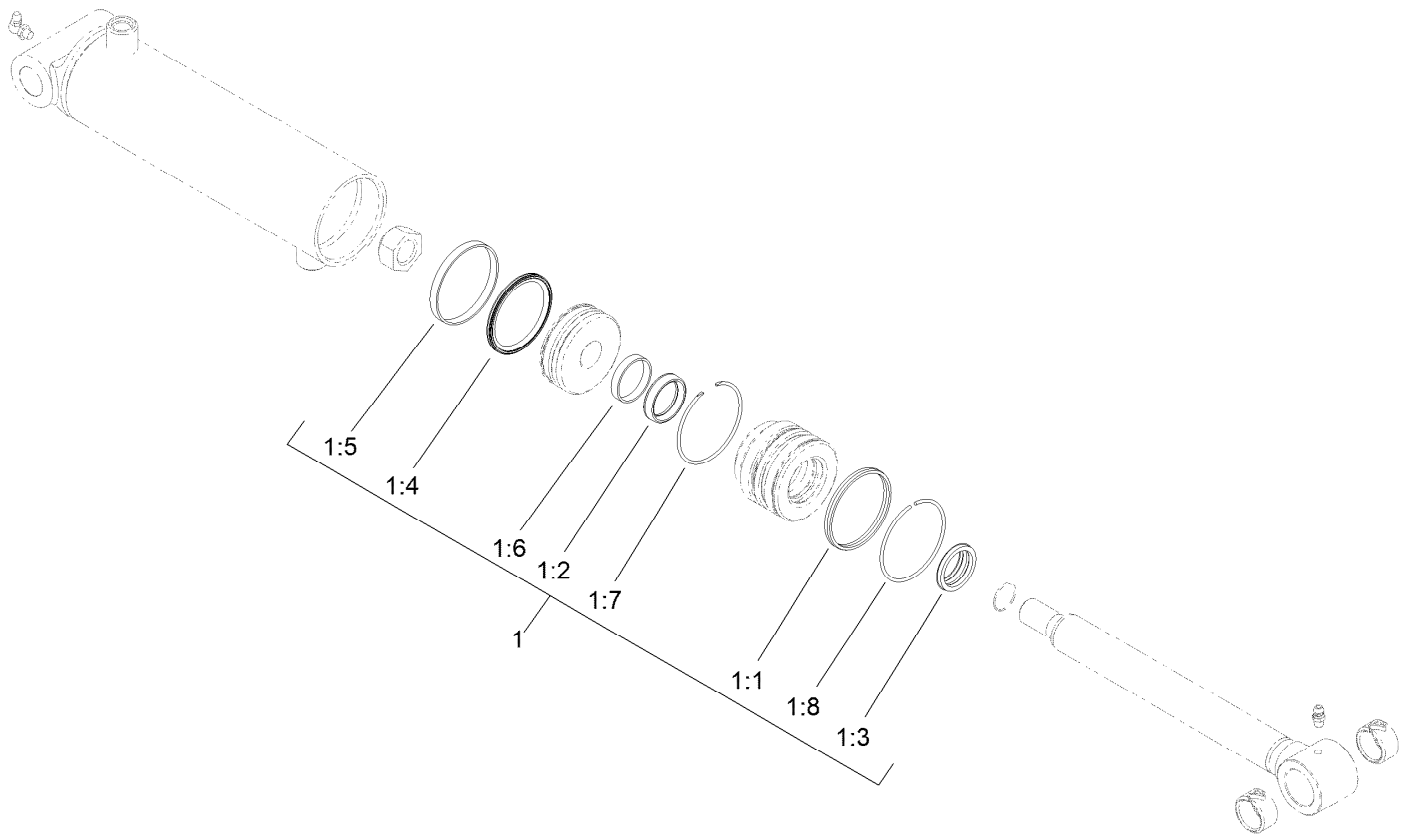
● Not serviced separately



## Wing Lift Arm Assembly (continued)

| Ref. | Part Number | Qty. | Description                 | Ref. | Part Number | Qty. | Description           |
|------|-------------|------|-----------------------------|------|-------------|------|-----------------------|
| 24   | 104-8300    | 4    | Nut-HF, NI                  | 34   | 136-4395-03 | 1    | Latch-Deck, LH        |
| 25   | 132-1429    | 2    | Sensor-Trigger              | 35   | 136-4394-03 | 1    | Latch-Deck, RH        |
| 26   | 3230-16     | 4    | Screw-CARR                  | 36   | 48-7081     | 2    | Grip-Plastic          |
| 27   | 27-0410     | 2    | Screw-Shoulder              | 37   | 340-82      | 2    | Fitting-Elbow, 90 DEG |
| 28   | 131-4305    | 2    | Pin                         | 37:1 | 237-42      | 1    | O-Ring                |
| 29   | 139-0956    | 2    | HYD Cylinder ASM            | 37:2 | 237-21      | 1    | O-Ring                |
| 30   | 115-5300    | 2    | Proximity Switch ASM        | 38   | 340-77      | 2    | Fitting-Elbow, 90 DEG |
| 30:1 | 117-3207    | 2    | Nut-Hex                     | 38:1 | 237-22      | 1    | O-Ring                |
| 30:2 | 117-3208    | 2    | Washer-Lock, Internal Tooth | 38:2 | 237-42      | 1    | O-Ring                |
| 31   | 120-9000-03 | 1    | Crossmember                 | 39   | 132-1421    | 1    | Plate-Pivot, LH       |
| 32   | 3296-45     | 4    | Nut-Hex                     | 40   | 132-1422    | 1    | Plate-Pivot, RH       |
| 33   | 104-3577    | 4    | Washer                      | 41   | 3290-412    | 6    | Rivet-Blind           |

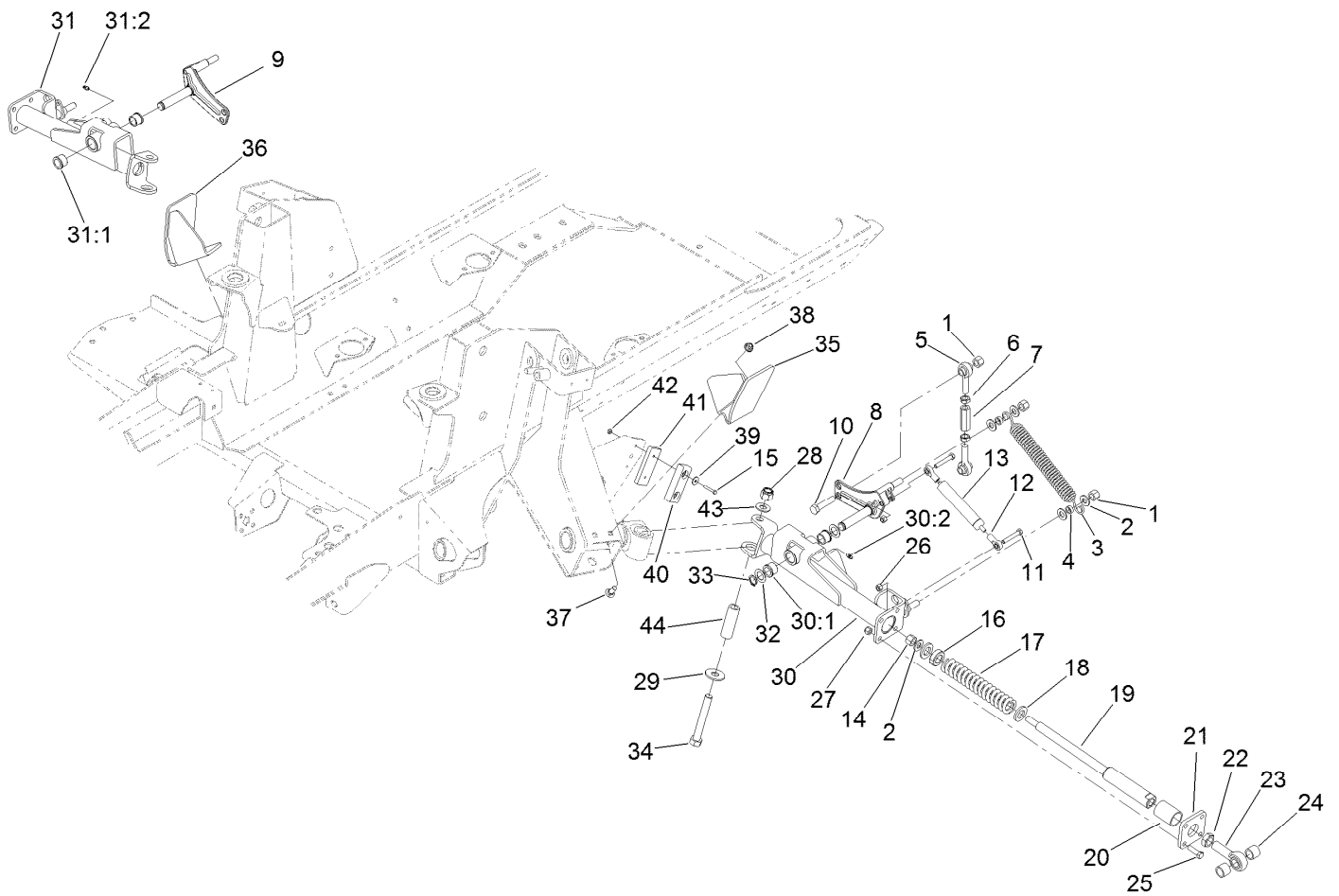
● Not serviced separately



## Hydraulic Cylinder Assembly No. 139-0956

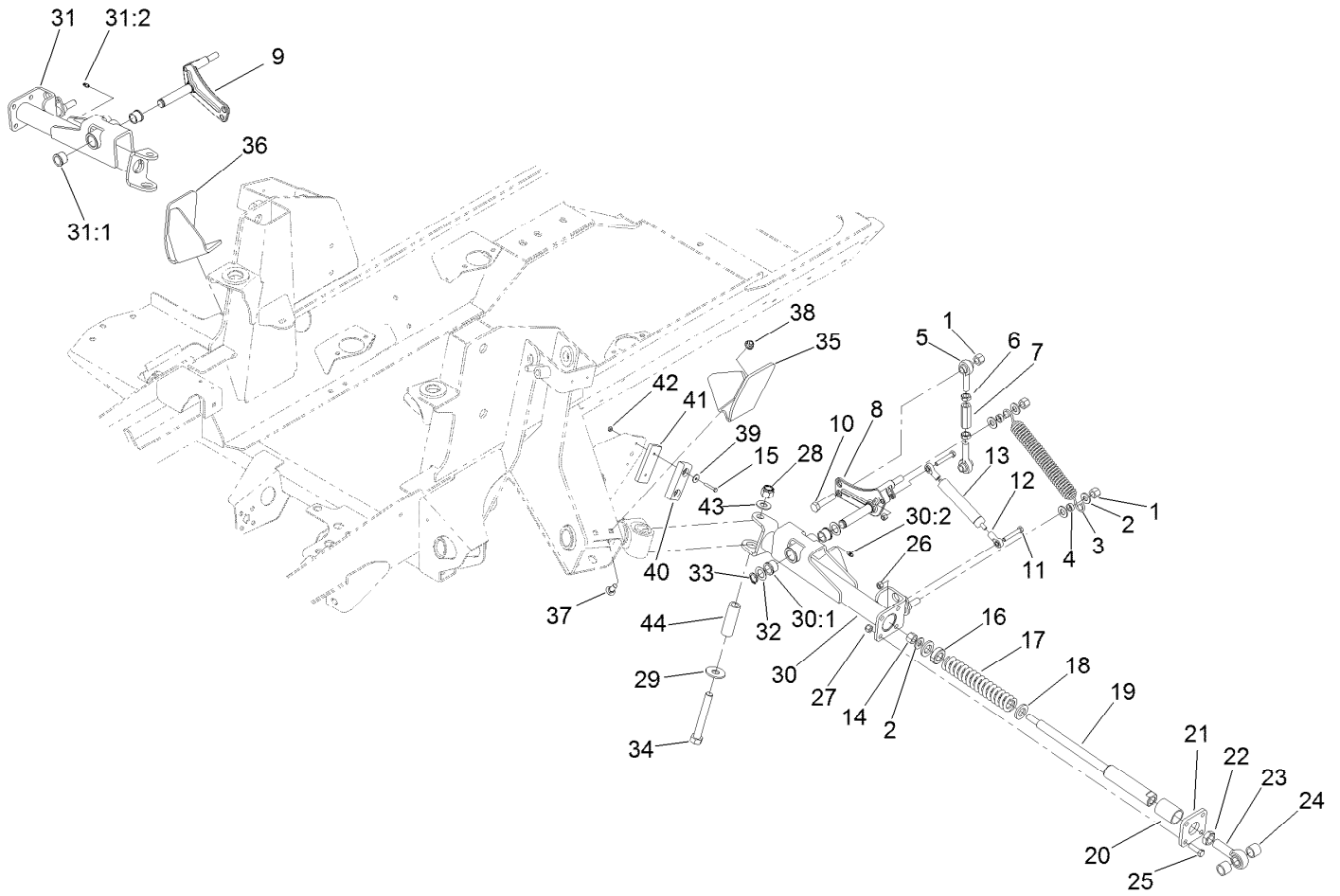
| <i>Ref.</i> | <i>Part Number</i> | <i>Qty.</i> | <i>Description</i>         |
|-------------|--------------------|-------------|----------------------------|
| 1           | 139-0994           | 1           | Seal Repair Kit            |
| 1:1         |                    | 1           | Seal-Dual ●                |
| 1:2         |                    | 1           | Seal-Rod ●                 |
| 1:3         |                    | 1           | Wiper-Rod ●                |
| 1:4         |                    | 1           | Seal-Piston ●              |
| 1:5         |                    | 1           | Ring-Wear, Piston ●        |
| 1:6         |                    | 1           | Ring-Wear, Rod ●           |
| 1:7         |                    | 1           | Ring-Retaining, Internal ● |
| 1:8         |                    | 1           | Ring-Retaining, External ● |

● Not serviced separately



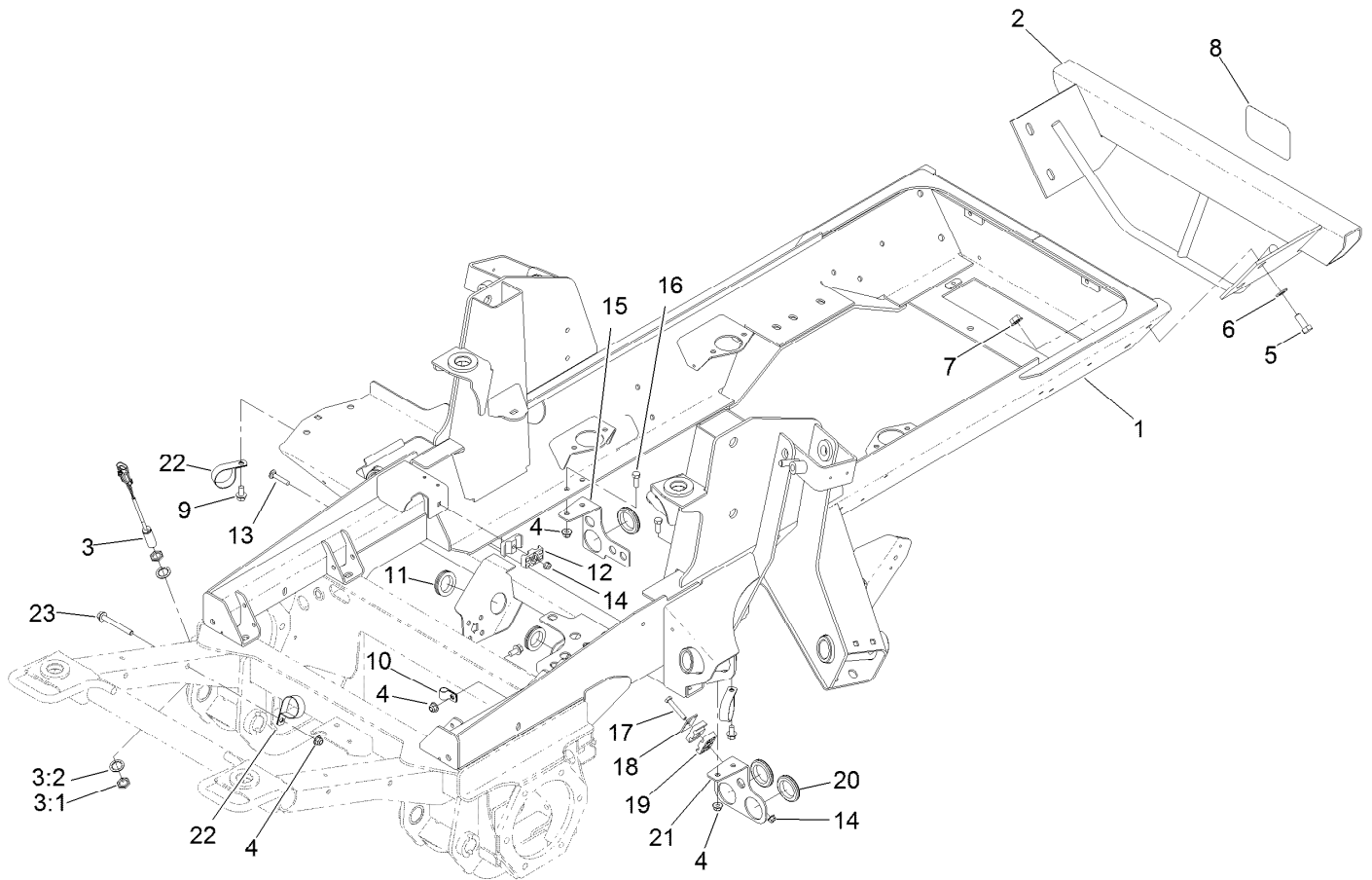
## Impact Arm Assembly

| Ref. | Part Number | Qty. | Description        | Ref. | Part Number | Qty. | Description        |
|------|-------------|------|--------------------|------|-------------|------|--------------------|
| 1    | 3296-23     | 6    | Nut-Lock, NI       | 22   | 3220-7      | 2    | Nut-Jam            |
| 2    | 3256-26     | 10   | Washer-Flat        | 23   | 105-2806    | 2    | End-Rod            |
| 3    | 104-7520    | 2    | Spring-Damper      | 24   | 136-0077    | 4    | Spacer             |
| 4    | 104-7521    | 4    | Bushing            | 25   | 323-7       | 8    | Screw-HH           |
| 5    | 105-2808    | 4    | End-Rod            | 26   | 3296-29     | 4    | Nut-Lock, NI       |
| 6    | 3220-5      | 4    | Nut-Jam            | 27   | 3296-39     | 8    | Nut-Lock, NI       |
| 7    | 105-2809    | 2    | Tube-Link          | 28   | 3296-53     | 2    | Nut-Lock, NI       |
| 8    | 114-2717    | 1    | Crank-Bell, LH     | 29   | 3256-7      | 2    | Washer-Flat        |
| 9    | 114-2716    | 1    | Crank-Bell, RH     | 30   | 120-8884    | 1    | LH Rear Arm ASM    |
| 10   | 325-9       | 2    | Screw-HH           | 30:1 | 256-113     | 2    | Bushing-Flange     |
| 11   | 322-10      | 4    | Screw-HH           | 30:2 | 302-5       | 1    | Fitting-Grease     |
| 12   | 104-8331    | 4    | End-Rod, Spherical | 31   | 120-8883    | 1    | RH Rear Arm ASM    |
| 13   | 105-3249    | 2    | Damper             | 31:1 | 256-113     | 2    | Bushing-Flange     |
| 14   | 3296-23     | 2    | Nut-Lock, NI       | 31:2 | 302-5       | 1    | Fitting-Grease     |
| 15   | 3290-360    | 4    | Screw-HH           | 32   | 3-6498      | 4    | Washer-Thrust      |
| 16   | 105-4552    | 2    | Bearing-Plastic    | 33   | 32120-93    | 2    | Ring-Retaining     |
| 17   | 100-8138    | 2    | Spring-Compression | 34   | 327-23      | 2    | Screw-HH           |
| 18   | 105-4551    | 4    | Washer-Flat        | 35   | 120-8856-03 | 1    | Bracket-Roller, LH |
| 19   | 105-4548    | 2    | Shaft-Spring       | 36   | 120-8874-03 | 1    | Bracket-Roller, RH |
| 20   | 105-4550    | 2    | Bushing-Straight   | 37   | 3231-2      | 4    | Bolt-CARR          |
| 21   | 105-2807-03 | 2    | Plate              | 38   | 104-8301    | 4    | Nut-HF, NI         |



## Impact Arm Assembly (continued)

| <i>Ref.</i> | <i>Part Number</i> | <i>Qty.</i> | <i>Description</i> | <i>Ref.</i> | <i>Part Number</i> | <i>Qty.</i> | <i>Description</i> |
|-------------|--------------------|-------------|--------------------|-------------|--------------------|-------------|--------------------|
| 39          | 3256-61            | 4           | Washer-Flat        | 42          | 3296-2             | 4           | Nut-Lock, NI       |
| 40          | 86-5350            | 2           | Bumper-Rubber      | 43          | 3256-27            | 2           | Washer-Flat        |
| 41          | 119-8308-03        | 2           | Plate              | 44          | 94-6604            | 2           | Tube-Spacer        |

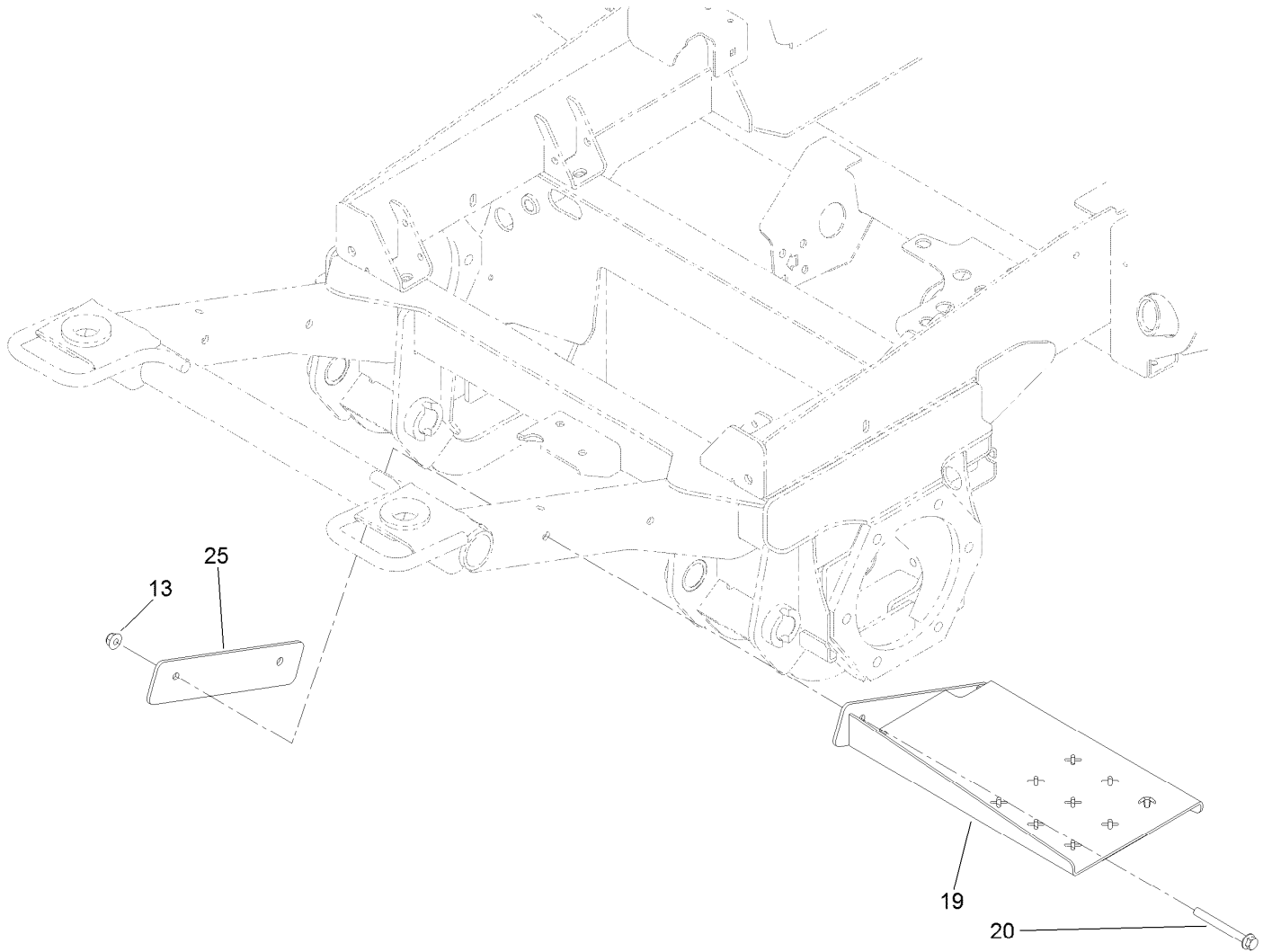


## Frame, Bumper and Proximity Sensor Assembly

| Ref. | Part Number | Qty. | Description                 |
|------|-------------|------|-----------------------------|
| 1    | 120-4010-03 | 1    | Frame                       |
| 2    | 120-8919-03 | 1    | Bumper                      |
| 3    | 115-0282    | 1    | Proximity Sensor ASM        |
| 3:1  | 117-3207    | 2    | Nut-Hex                     |
| 3:2  | 117-3208    | 2    | Washer-Lock, Internal Tooth |
| 4    | 104-8301    | 6    | Nut-HF, NI                  |
| 5    | 325-5       | 4    | Screw-HH                    |
| 6    | 3256-26     | 4    | Washer-Flat                 |
| 7    | 32128-23    | 4    | Nut-HF                      |
| 8    | 105-8278    | 1    | Decal                       |
| 9    | 3234-1      | 3    | Screw-HHF                   |
| 10   | 2412-138    | 1    | R-Clamp                     |
| 11   | 240-7       | 2    | Grommet-Rubber              |

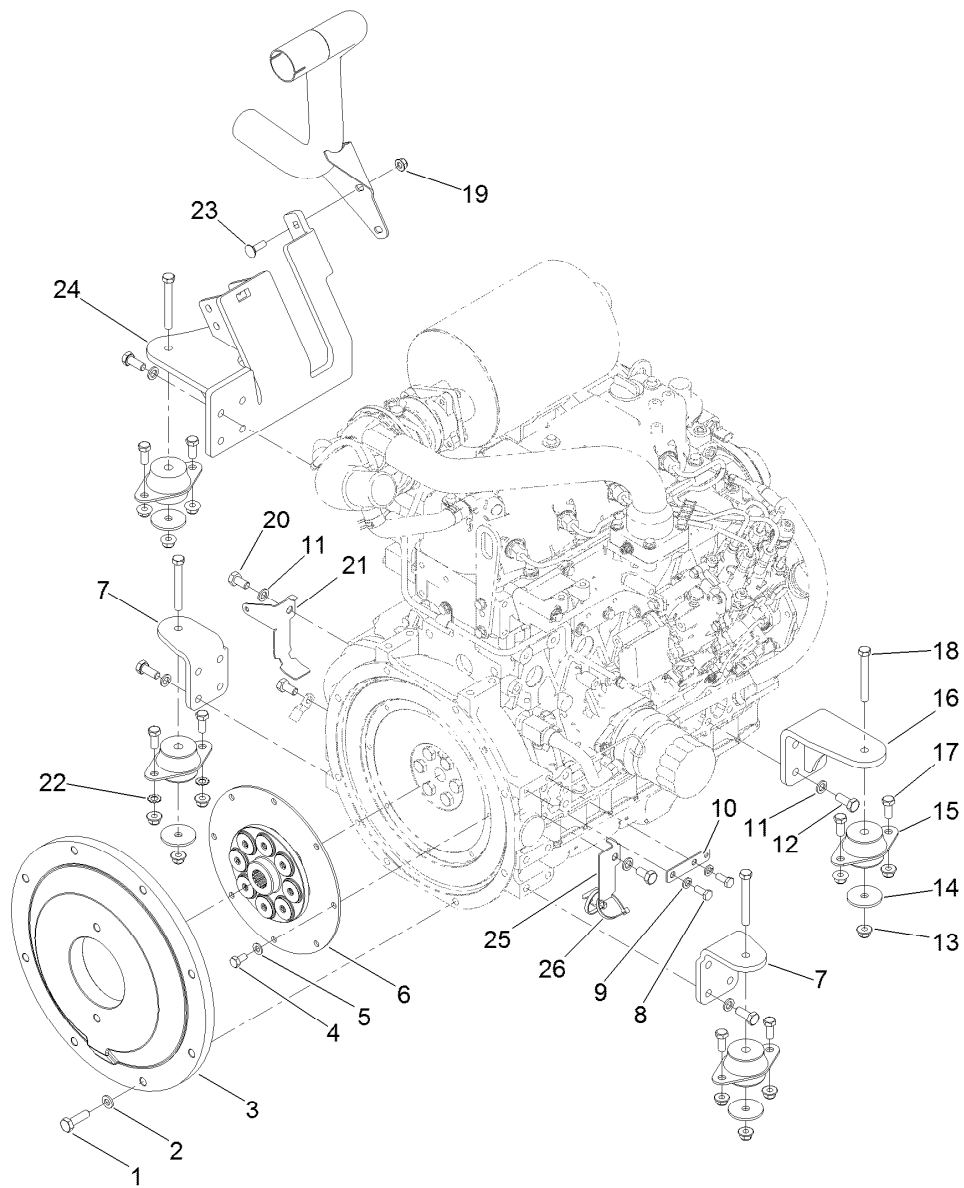
| Ref. | Part Number | Qty. | Description                |
|------|-------------|------|----------------------------|
| 12   | 56-7971     | 2    | Clamp-Tube                 |
| 13   | 3230-5      | 1    | Bolt-CARR                  |
| 14   | 104-8300    | 2    | Nut-HF, NI                 |
| 15   | 121-1508-03 | 1    | Bracket-Bulkhead           |
| 16   | 323-6       | 4    | Screw-HH                   |
| 17   | 322-10      | 1    | Screw-HH                   |
| 18   | 69-9760     | 1    | Plate-Cover                |
| 19   | 56-7976     | 2    | Clamp-Tube                 |
| 20   | 240-2       | 3    | Grommet-Rubber             |
| 21   | 121-1481-03 | 1    | Plate-Mount, Bulkhead (LH) |
| 22   | 2412-147    | 3    | Clamp-R                    |
| 23   | 3234-41     | 1    | Screw-HHF                  |





## Cab Step Assembly

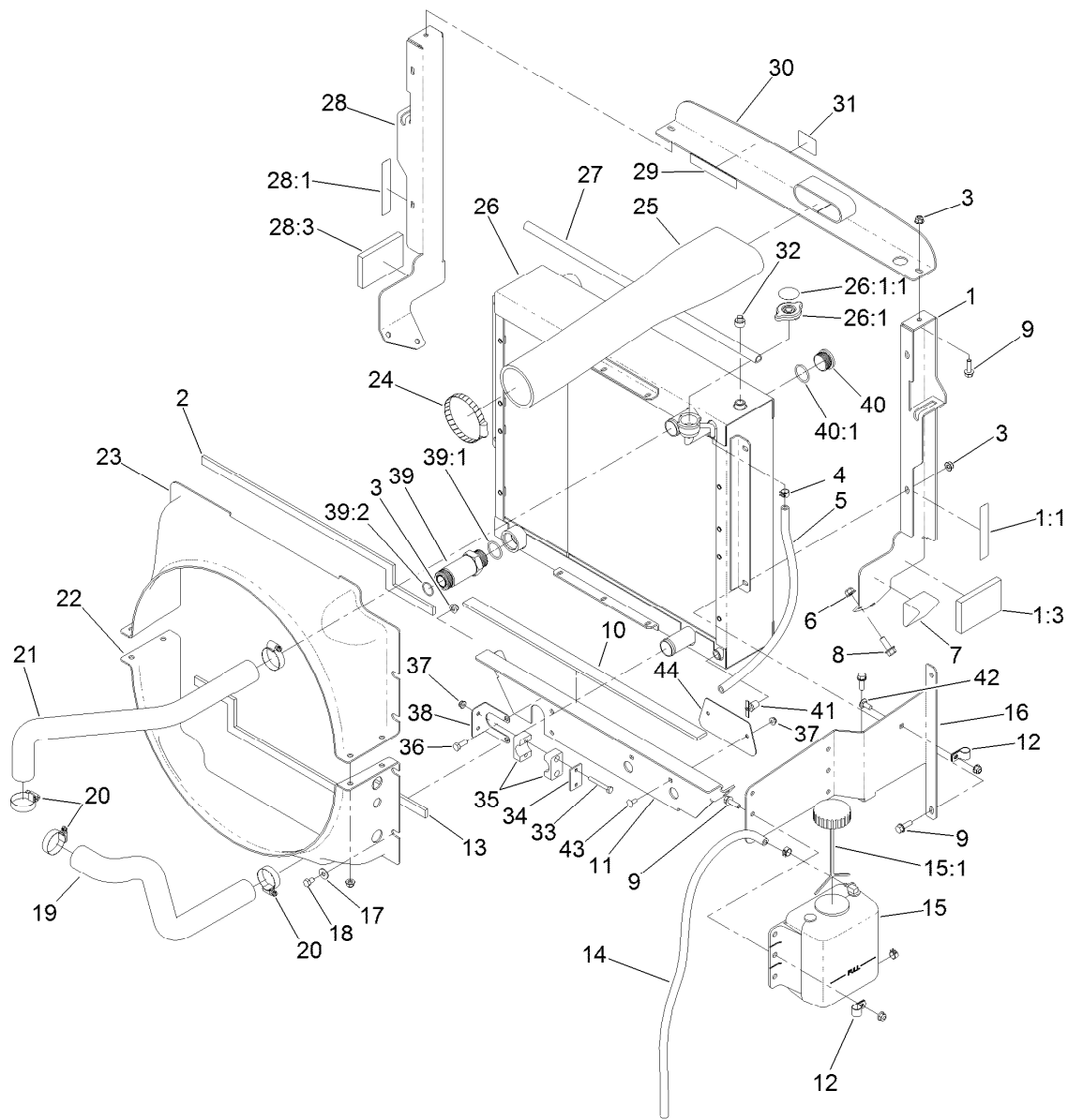
| <i>Ref.</i> | <i>Part Number</i> | <i>Qty.</i> | <i>Description</i> |
|-------------|--------------------|-------------|--------------------|
| 13          | 104-8301           | 2           | Nut-HF, NI         |
| 19          | 121-1739-03        | 1           | Step               |
| 20          | 116-4701           | 2           | Screw-HHF          |
| 25          | 120-9022-03        | 1           | Support-Step       |



## Flywheel and Motor Mount Assembly

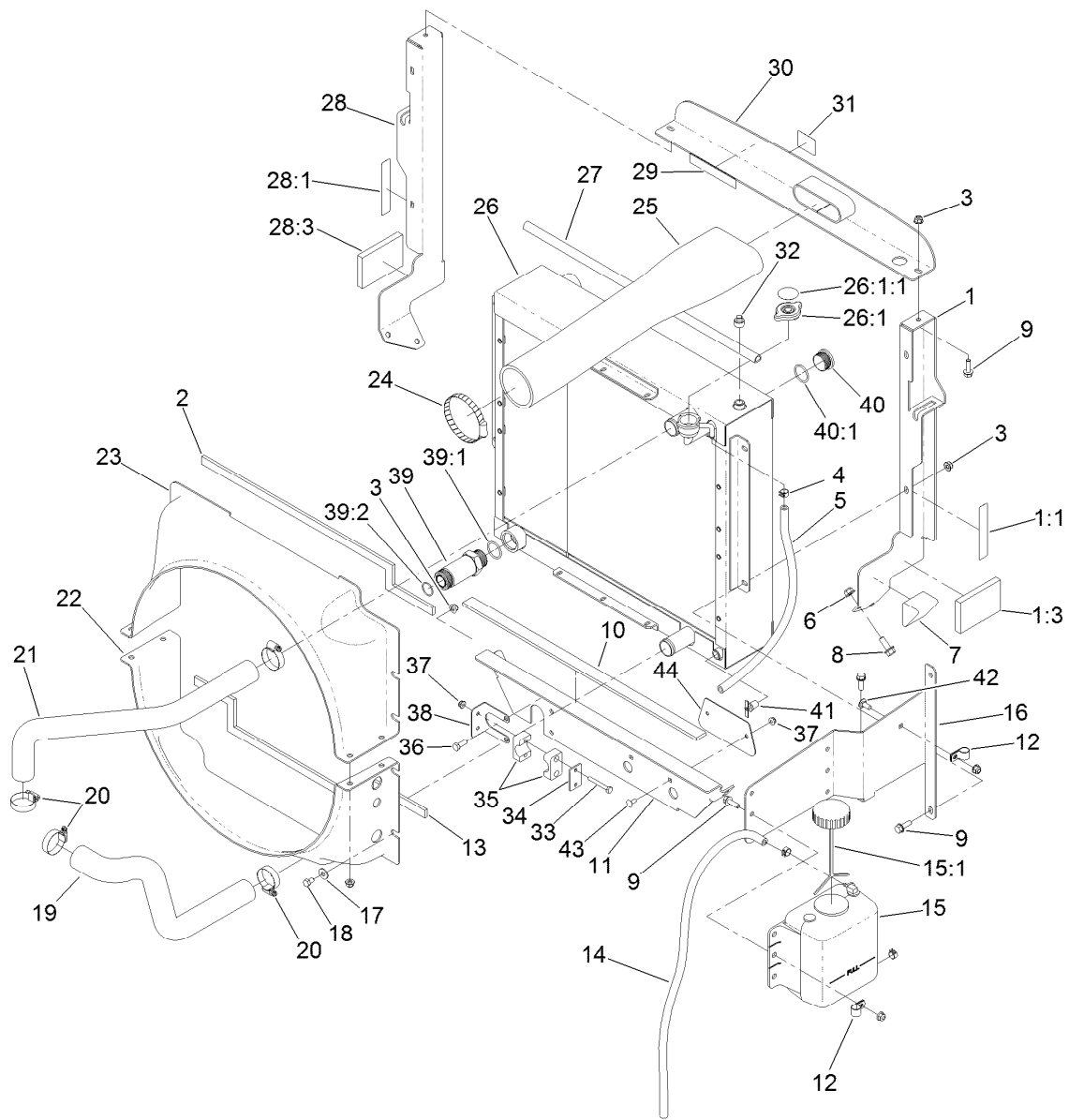
| <i>Ref.</i> | <i>Part Number</i> | <i>Qty.</i> | <i>Description</i> |
|-------------|--------------------|-------------|--------------------|
| 1           | 117-5663           | 8           | Screw-HH           |
| 2           | 107-1413           | 8           | Washer-Hardened    |
| 3           | 132-6120-03        | 1           | Plate-Flywheel     |
| 4           | 99-5132            | 8           | Bolt               |
| 5           | 87-7510            | 8           | Washer-Flat        |
| 6           | 132-6121           | 1           | Coupling-Flywheel  |
| 7           | 120-4066-03        | 2           | Mount-Motor, Front |
| 8           | 33114-020          | 2           | Screw-HH           |
| 9           | 3253-4             | 2           | Washer-Lock        |
| 10          | 121-5636           | 1           | Tab-Harness        |
| 11          | 48-9590            | 18          | Washer-Lock        |
| 12          | 33115-025          | 16          | Screw-HH           |
| 13          | 104-8301           | 12          | Nut-HF, NI         |

| <i>Ref.</i> | <i>Part Number</i> | <i>Qty.</i> | <i>Description</i>  |
|-------------|--------------------|-------------|---------------------|
| 14          | 63-7400            | 4           | Washer-Rebound      |
| 15          | 53-9682            | 4           | Mount-Engine        |
| 16          | 120-4068-03        | 1           | Mount-Motor         |
| 17          | 323-5              | 8           | Screw-HH            |
| 18          | 323-14             | 4           | Screw-HH            |
| 19          | 104-8300           | 2           | Nut-HF, NI          |
| 20          | 33115-020          | 3           | Screw-HH            |
| 21          | 139-0992           | 1           | Bracket-Harness, RH |
| 22          | 3255-9             | 2           | Washer-Lock         |
| 23          | 3230-2             | 2           | Bolt-CARR           |
| 24          | 127-3722-03        | 1           | Mount-Motor         |
| 25          | 139-0993           | 1           | Bracket-Harness, LH |
| 26          | 3290-378           | 2           | Tie-Cable           |



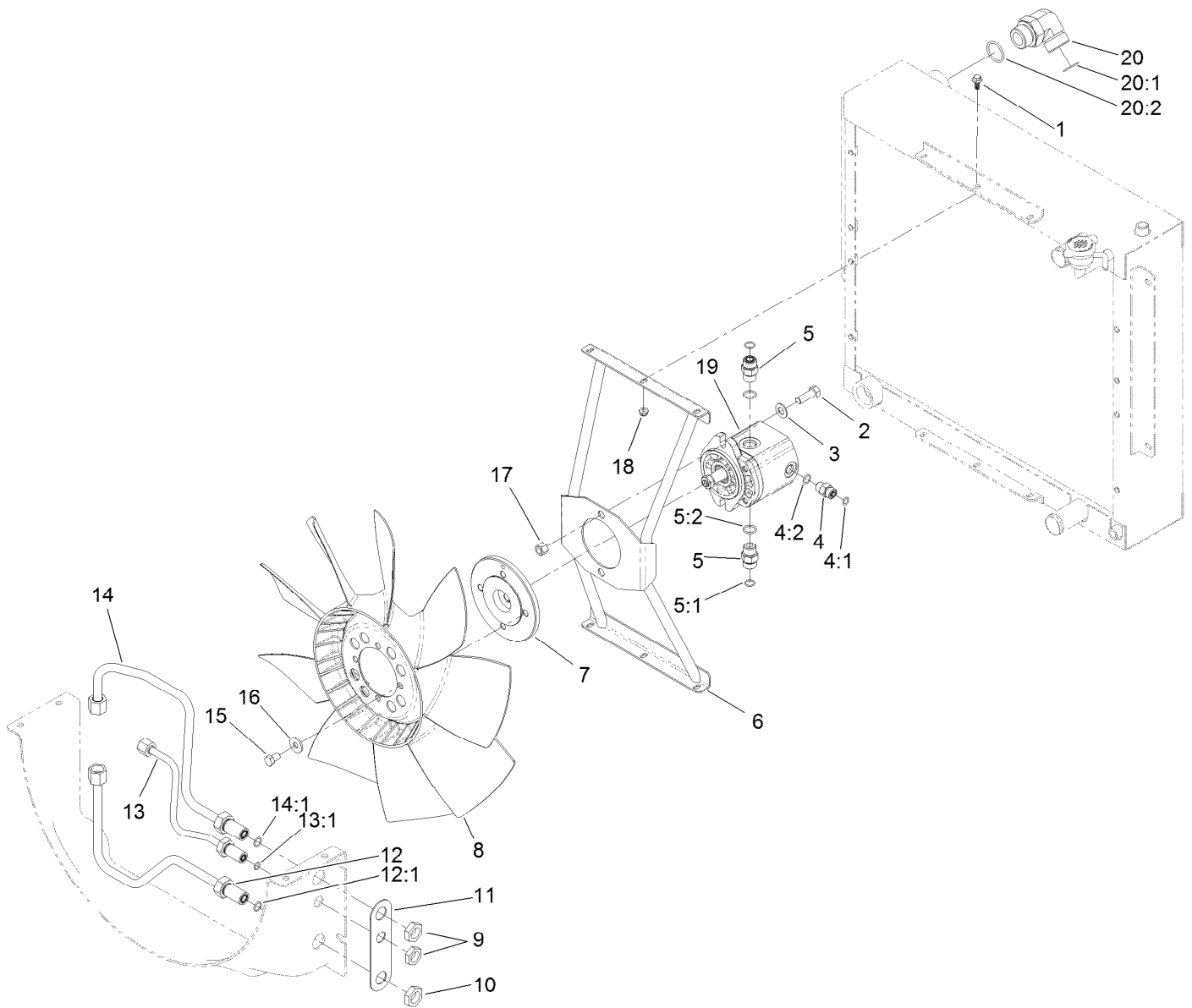
## Radiator Assembly

| Ref. | Part Number | Qty. | Description             | Ref.   | Part Number | Qty. | Description             |
|------|-------------|------|-------------------------|--------|-------------|------|-------------------------|
| 1    | 121-1479    | 1    | LH Radiator Support ASM | 19     | 121-1746    | 1    | Hose-Radiator, Lower    |
| 1:1  | 93-7272     | 1    | Decal-Warning           | 20     | 2412-111    | 4    | Clamp-Hose, W/Liner     |
| 1:3  | 100-2196    | 1    | Pad-Foam                | 21     | 121-1747    | 1    | Hose-Radiator, Upper    |
| 2    | 121-1684    | 1    | Foam-Radiator           | 22     | 121-1517    | 1    | Shroud-Radiator, Lower  |
| 3    | 104-8300    | 15   | Nut-HF, NI              | 23     | 121-1515    | 1    | Shroud-Radiator, Upper  |
| 4    | 92-2379     | 3    | Clamp-Hose              | 24     | 2412-110    | 1    | Clamp-Band/Screw        |
| 5    | 110-4112    | 1    | Hose-Fuel               | 25     | 121-1474    | 1    | Hose-Inlet, Air Cleaner |
| 6    | 104-8301    | 6    | Nut-HF, NI              | 26     | 132-6161    | 1    | Radiator/Oil Cooler     |
| 7    | 93-5954     | 2    | Plug-Foam               | 26:1   | 115-7766    | 1    | Cap-Radiator            |
| 8    | 3234-11     | 6    | Screw-HHF               | 26:1:1 | 106-6755    | 1    | Decal-Cap, Radiator     |
| 9    | 3234-29     | 12   | Screw-HHF               | 27     | 114-3828    | 1    | Seal-Bulb               |
| 10   | 104-2226    | 1    | Strip-Foam              | 28     | 121-1478    | 1    | RH Radiator Support ASM |
| 11   | 139-0952-03 | 1    | Support-Radiator        | 28:1   | 93-7272     | 1    | Decal-Warning           |
| 12   | 92-6064     | 2    | Clamp-R                 | 28:3   | 100-2196    | 1    | Pad-Foam                |
| 13   | 121-1685    | 1    | Foam-Radiator, Lower    | 29     | 93-7272     | 1    | Decal-Warning           |
| 14   | 110-9662    | 1    | Hose-Fuel               | 30     | 136-4364-03 | 1    | Bracket-Intake          |
| 15   | 120-5571    | 1    | Coolant Reservoir ASM   | 31     | 117-4765    | 1    | Decal-Starting Fluid    |
| 15:1 | 87-7050     | 1    | Cap-Reservoir           | 32     | 281-13      | 1    | Plug-Pipe               |
| 16   | 130-0603-03 | 1    | Bracket-Mount, Bottle   | 33     | 321-11      | 2    | Screw-HH                |
| 17   | 3256-3      | 8    | Washer-Flat             | 34     | 114-4902    | 1    | Plate-Cover             |
| 18   | 322-1       | 8    | Screw-HH                | 35     | 114-4901    | 1    | Clamp                   |



## Radiator Assembly (continued)

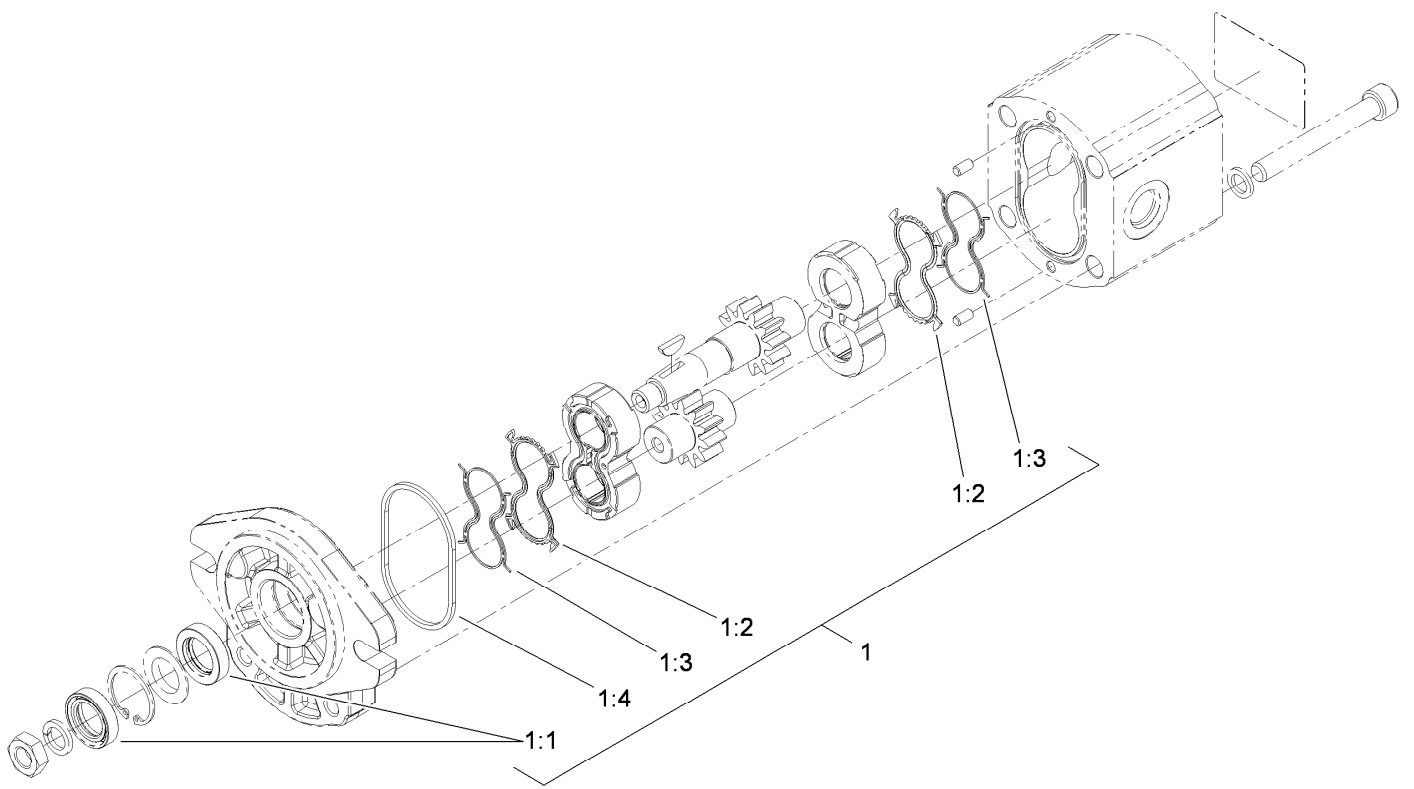
| <i>Ref.</i> | <i>Part Number</i> | <i>Qty.</i> | <i>Description</i> | <i>Ref.</i> | <i>Part Number</i> | <i>Qty.</i> | <i>Description</i> |
|-------------|--------------------|-------------|--------------------|-------------|--------------------|-------------|--------------------|
| 36          | 322-4              | 2           | Screw-HH           | 40          | 106-2030           | 1           | Plug-Hex, Hollow   |
| 37          | 104-7201           | 4           | Nut-HF, NI         | 40:1        | 237-146            | 1           | O-Ring             |
| 38          | 120-8984           | 1           | Bracket-Clamp      | 41          | 304-46             | 1           | Draincock          |
| 39          | 100-5565           | 1           | Fitting-STR        | 42          | 3230-23            | 1           | Bolt-CARR          |
| 39:1        | 237-146            | 1           | O-Ring             | 43          | 3229-11            | 2           | Screw-CARR         |
| 39:2        | 340-65             | 1           | O-Ring             | 44          | 139-0989-03        | 1           | Plate              |



## Fan Mounting and Hardline Assembly

| Ref. | Part Number | Qty. | Description      |
|------|-------------|------|------------------|
| 1    | 99-6810     | 6    | Screw-HHF        |
| 2    | 324-5       | 2    | Screw-HH         |
| 3    | 3256-25     | 2    | Washer-Flat      |
| 4    | 340-2       | 1    | Fitting-Straight |
| 4:1  | 237-22      | 1    | O-Ring           |
| 4:2  | 237-42      | 1    | O-Ring           |
| 5    | 340-4       | 2    | Fitting-Straight |
| 5:1  | 237-30      | 1    | O-Ring           |
| 5:2  | 237-79      | 1    | O-Ring           |
| 6    | 120-8935-03 | 1    | Bracket-Fan      |
| 7    | 117-2364    | 1    | Hub-Fan          |
| 8    | 114-3825    | 1    | Fan              |
| 9    | 340-70      | 1    | Nut-Lock         |
| 10   | 340-127     | 2    | Nut-Bulkhead     |
| 11   | 121-1518    | 1    | Shim-Support     |

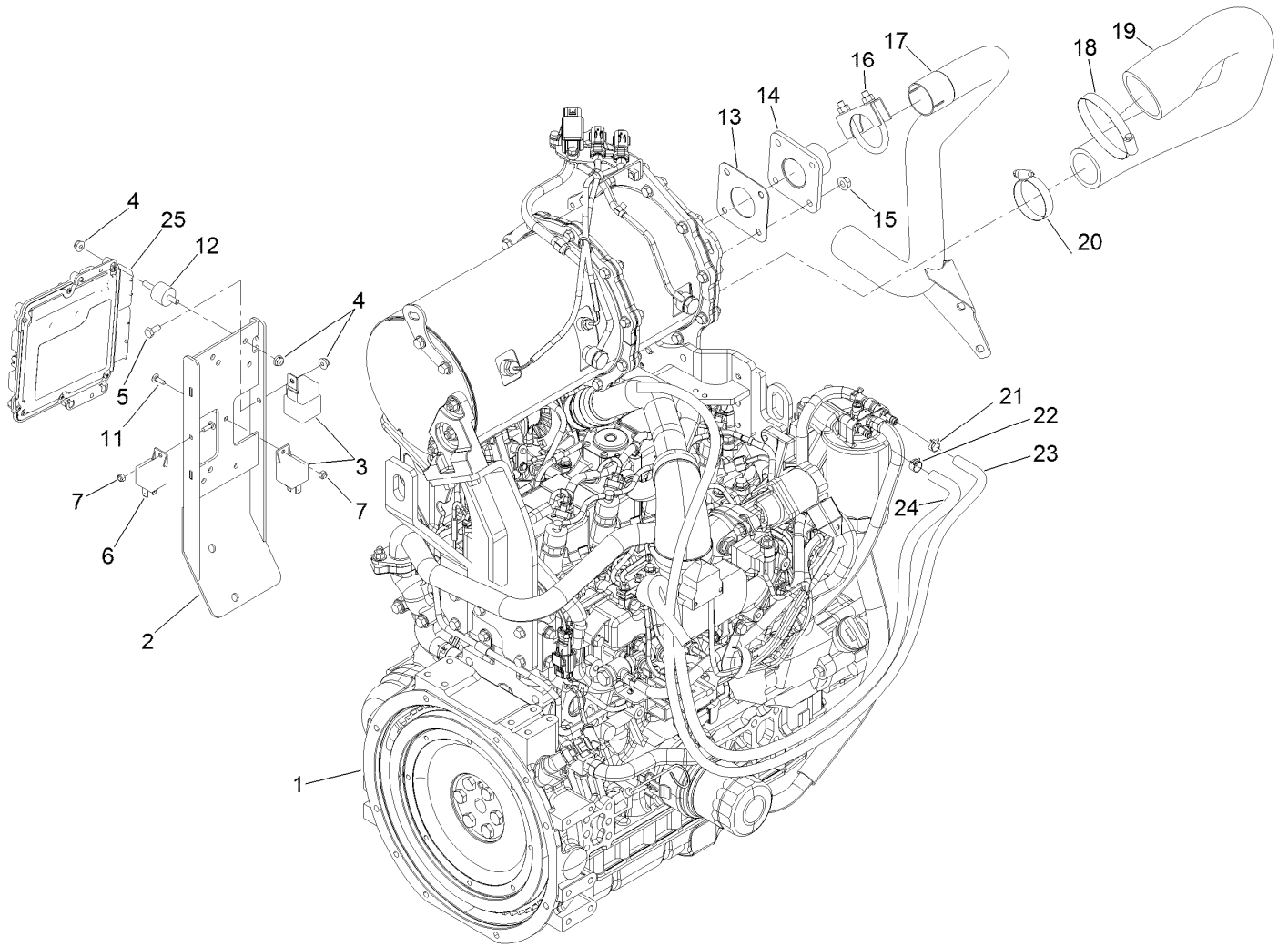
| Ref. | Part Number | Qty. | Description           |
|------|-------------|------|-----------------------|
| 12   | 121-1554    | 1    | Tube-HYD              |
| 12:1 | 237-30      | 1    | O-Ring                |
| 13   | 121-1555    | 1    | Tube ASM              |
| 13:1 | 237-22      | 1    | O-Ring                |
| 14   | 121-1553    | 1    | Tube-HYD              |
| 14:1 | 237-30      | 1    | O-Ring                |
| 15   | 115-8486    | 4    | Screw-HH              |
| 16   | 80-6990     | 4    | Washer-Hardened       |
| 17   | 3296-48     | 2    | Nut-Hex               |
| 18   | 104-7201    | 6    | Nut-HF, NI            |
| 19   | 117-4769    | 1    | HYD Motor ASM         |
| 20   | 340-129     | 1    | Fitting-Elbow, 90 DEG |
| 20:1 | 237-146     | 1    | O-Ring                |
| 20:2 | 340-65      | 1    | O-Ring                |



## Hydraulic Motor Assembly No. 117-4769

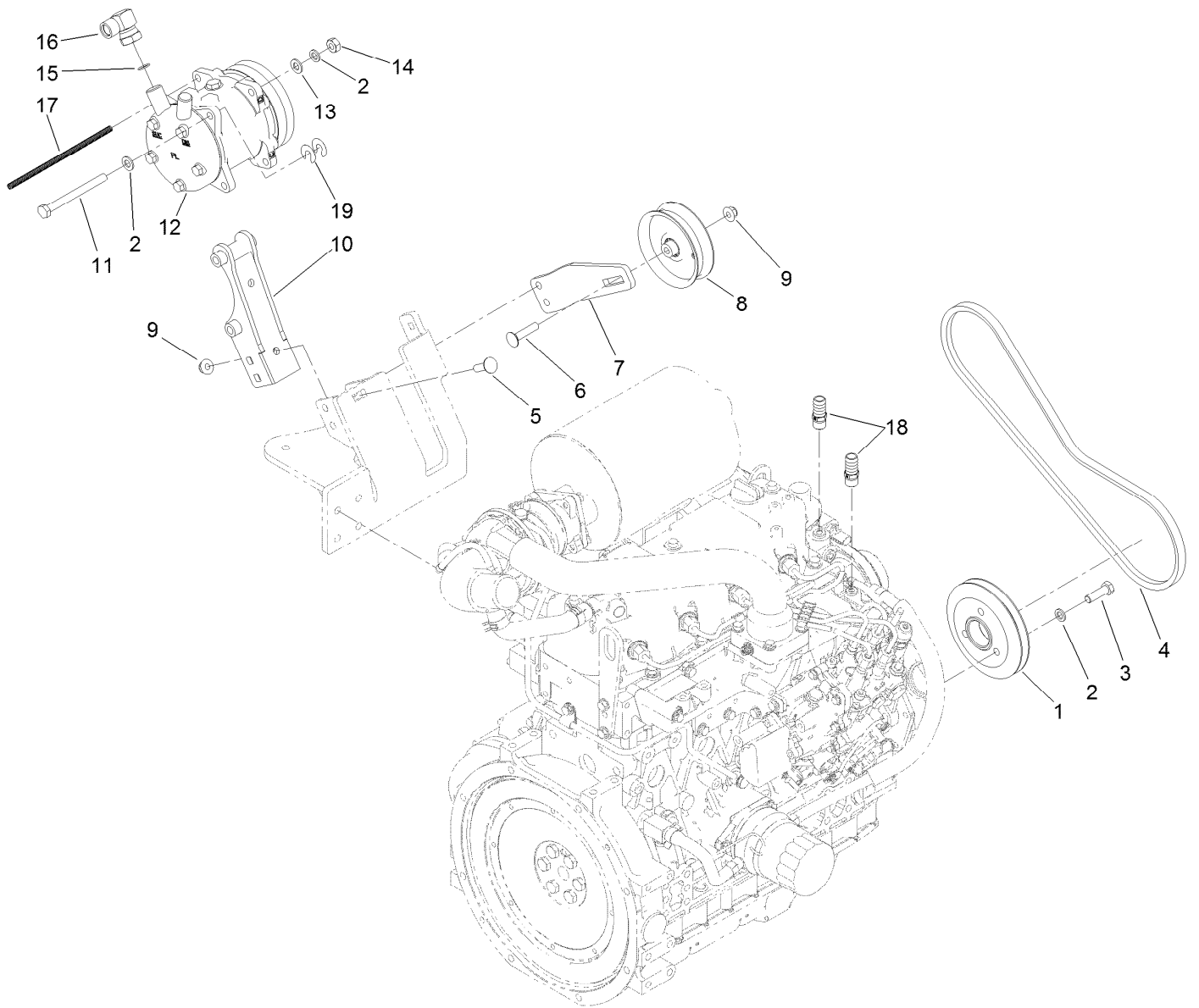
| <i>Ref.</i> | <i>Part Number</i> | <i>Qty.</i> | <i>Description</i>      |
|-------------|--------------------|-------------|-------------------------|
| 1           | 115-4110           | 1           | Seal Kit                |
| 1:1         |                    | 2           | Seal-Shaft ●            |
| 1:2         |                    | 2           | Seal-Plate, Balancing ● |
| 1:3         |                    | 2           | Seal-Anti Extrusion ●   |
| 1:4         |                    | 2           | O-Ring (Housing) ●      |

● Not serviced separately



## Engine and Controller Assembly

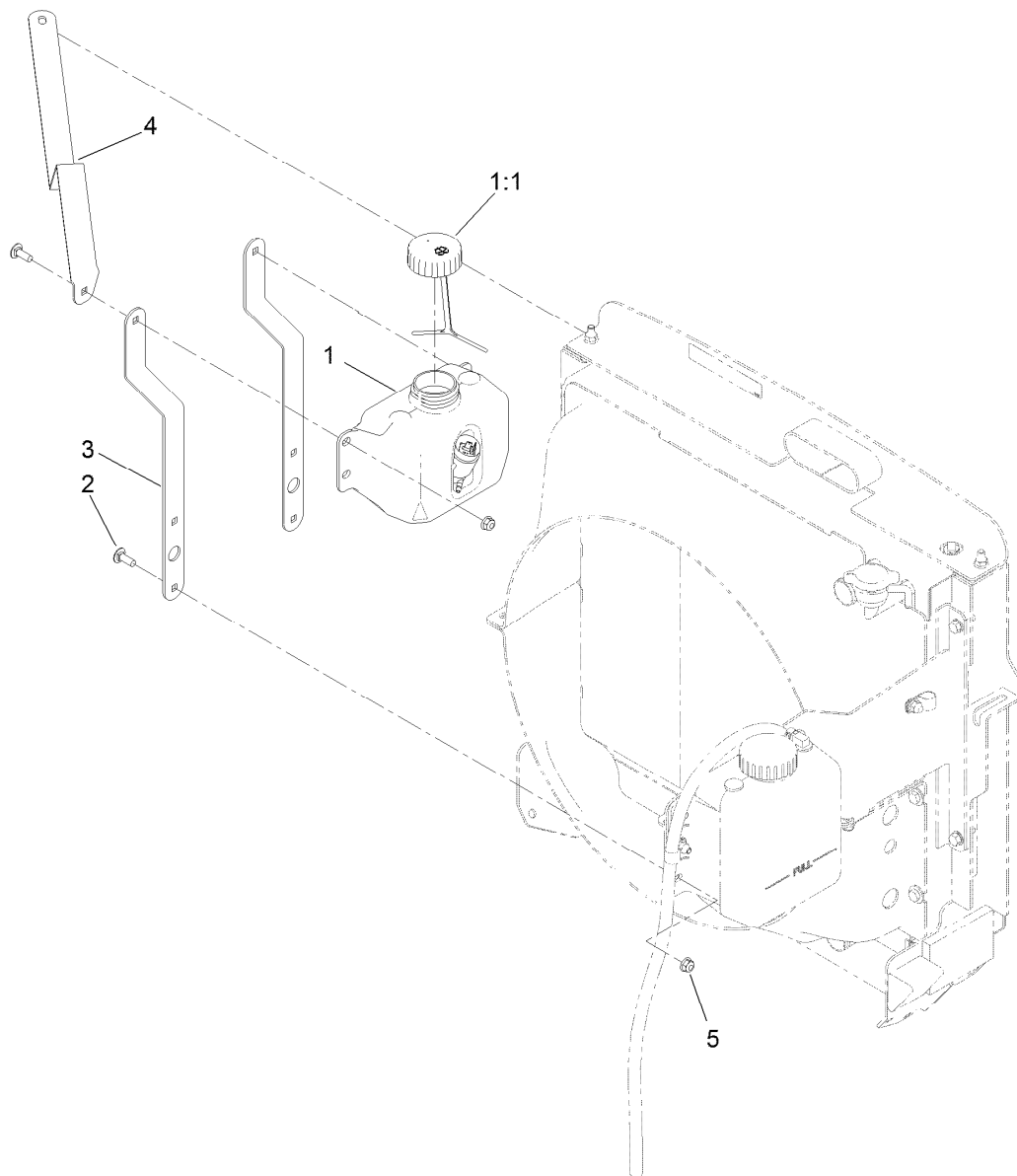
| <i>Ref.</i> | <i>Part Number</i> | <i>Qty.</i> | <i>Description</i> | <i>Ref.</i> | <i>Part Number</i> | <i>Qty.</i> | <i>Description</i>       |
|-------------|--------------------|-------------|--------------------|-------------|--------------------|-------------|--------------------------|
| 1           | 138-6917           | 1           | Engine-Yanmar      | 15          | 33004-00           | 4           | Nut-HF                   |
| 2           | 136-4430-03        | 1           | Mount-Controller   | 16          | 18-2130            | 1           | Clamp                    |
| 3           | 99-7430            | 1           | Relay-Mini         | 17          | 121-1613           | 1           | Pipe-Exhaust             |
| 4           | 104-7201           | 9           | Nut-HF, NI         | 18          | 2412-110           | 1           | Clamp-Band/Screw         |
| 5           | 321-3              | 1           | Screw-HH           | 19          | 121-1475           | 1           | Hose-Outlet, Air Cleaner |
| 6           | 99-7435            | 2           | Relay              | 20          | 2412-130           | 1           | Clamp-Hose               |
| 7           | 3296-2             | 2           | Nut-Lock, NI       | 21          | 2412-98            | 1           | Clamp-Hose               |
| 11          | 1-807533           | 2           | Bolt-CARR          | 22          | 92-2379            | 1           | Clamp-Hose               |
| 12          | 132-1356           | 4           | Mount-Isolator     | 23          | 115-2368           | 1           | Hose-Fuel                |
| 13          | 121-3058           | 1           | Gasket-Exhaust     | 24          | 110-4007           | 1           | Hose-Fuel                |
| 14          | 121-3060           | 1           | Flange-Exhaust     | 25          | 121-5592           | 1           | Electronic Control Unit  |



## Air Conditioner Compressor Assembly

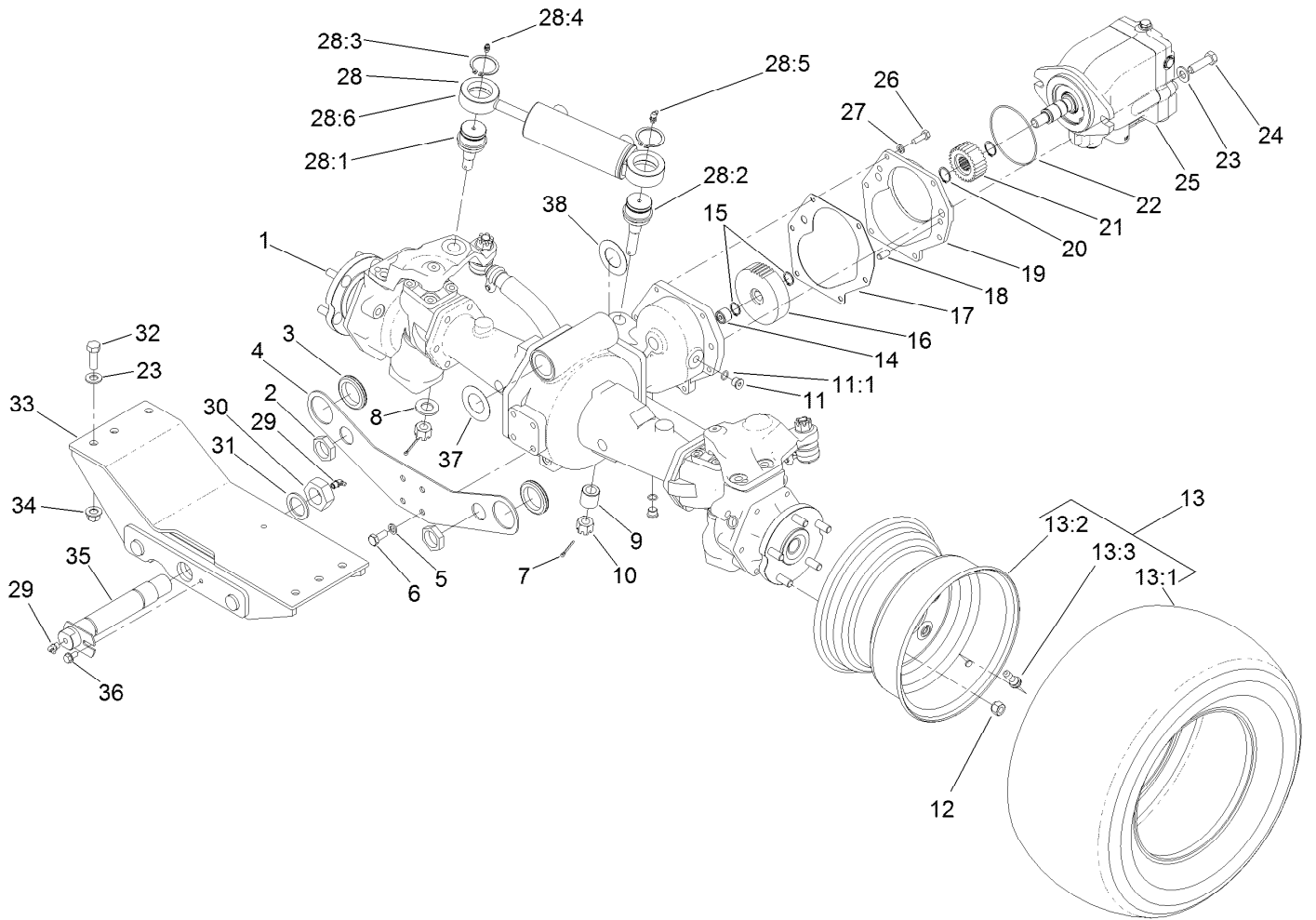
| <i>Ref.</i> | <i>Part Number</i> | <i>Qty.</i> | <i>Description</i> | <i>Ref.</i> | <i>Part Number</i> | <i>Qty.</i> | <i>Description</i>    |
|-------------|--------------------|-------------|--------------------|-------------|--------------------|-------------|-----------------------|
| 1           | 121-8177           | 1           | Pulley-Single      | 11          | 33115-110          | 2           | Screw-HH              |
| 2           | 48-9590            | 5           | Washer-Lock        | 12          | 119-0103           | 1           | Compressor            |
| 3           | 33115-035          | 3           | Screw-HH           | 13          | 33095-00           | 4           | Washer-Flat           |
| 4           | 110-6254           | 1           | Belt-V             | 14          | 33015-00           | 2           | Nut-Hex               |
| 5           | 3231-25            | 5           | Bolt-CARR          | 15          | 117-2780           | 1           | O-Ring                |
| 6           | 3231-5             | 1           | Screw-CARR         | 16          | 119-0128           | 1           | Fitting-Elbow, 90 DEG |
| 7           | 127-3727-03        | 1           | Mount-Pulley       | 17          | 115-8882           | 1           | Conduit-Convolute     |
| 8           | 98-3095            | 1           | Pulley-Idler       | 18          | 117-9410           | 2           | Fitting-Straight      |
| 9           | 104-8301           | 6           | Nut-HF, NI         | 19          | 119-7734           | 4           | Shim                  |
| 10          | 127-3726-03        | 1           | Mount-Compressor   |             |                    |             |                       |





## Washer Fluid Bottle Assembly

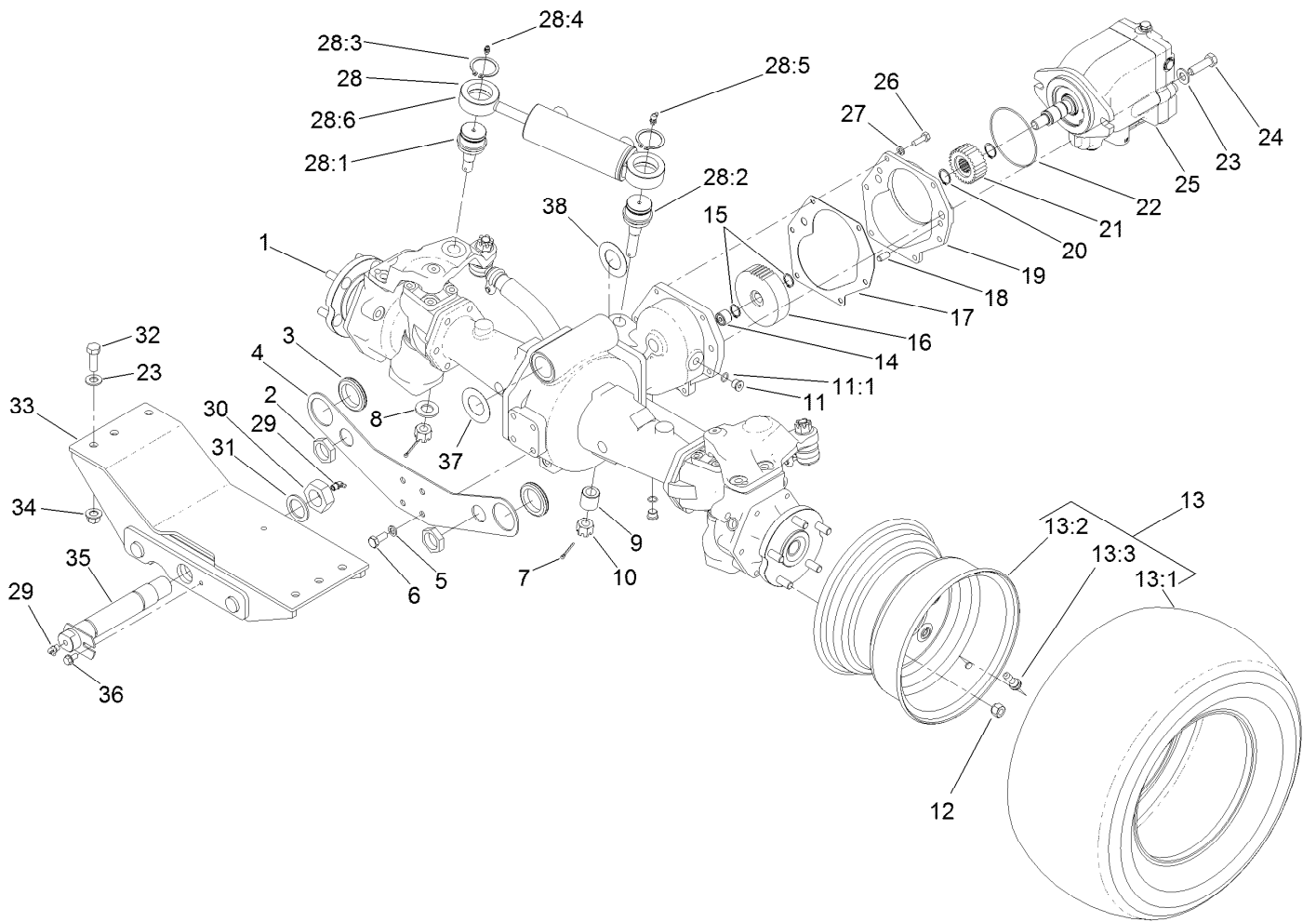
| <i>Ref.</i> | <i>Part Number</i> | <i>Qty.</i> | <i>Description</i>           |
|-------------|--------------------|-------------|------------------------------|
| 1           | 138-2702           | 1           | Tank-Fluid, Washer           |
| 1:1         | 125-5258           | 1           | Lid-Tank, Washer Fluid       |
| 2           | 3230-10            | 6           | Bolt-CARR                    |
| 3           | 130-0604-03        | 2           | Strap-Bottle, Washer Fluid   |
| 4           | 130-0605-03        | 1           | Support-Bottle, Washer Fluid |
| 5           | 104-8300           | 6           | Nut-HF, NI                   |



## Rear Axle and Steering Cylinder Assembly

| Ref. | Part Number | Qty. | Description            | Ref. | Part Number | Qty. | Description              |
|------|-------------|------|------------------------|------|-------------|------|--------------------------|
| 1    | 110-4750    | 1    | Drive Axle ASM         | 15   | 32120-15    | 2    | Ring-Snap, EXT           |
| 2    | 340-126     | 2    | Nut-Bulkhead           | 16   | 100-3053    | 1    | Gear-45 Tooth            |
| 3    | 240-2       | 2    | Grommet-Rubber         | 17   | 106-1140    | 1    | Gasket                   |
| 4    | 120-9069-03 | 1    | Plate-Mount, Bulkhead  | 18   | 104-2353    | 2    | Pin-Dowel                |
| 5    | 43-0090     | 4    | Screw-HH               | 19   | 95-7541     | 1    | Plate-Cover              |
| 6    | 48-9590     | 4    | Washer-Lock            | 20   | 32120-76    | 2    | Ring-Snap, EXT           |
| 7    | 3272-12     | 2    | Pin-Cotter             | 21   | 104-0755    | 1    | Pinion-27 Tooth          |
| 8    | 92-5836     | 1    | Washer                 | 22   | 237-166     | 1    | O-Ring                   |
| 9    | 100-3796    | 1    | Spacer-Joint, Ball     | 23   | 3256-26     | 8    | Washer-Flat              |
| 10   | 32136-14    | 2    | Nut-Hst                | 24   | 325-7       | 2    | Screw-HH                 |
| 11   | 353-989     | 2    | Plug-Hex, Hollow       | 25   | 120-8814    | 1    | HYD Motor ASM            |
| 11:1 | 237-42      | 1    | O-Ring                 | 26   | 33114-025   | 6    | Screw-HH                 |
| 12   | 93-5268     | 10   | Nut-Lug                | 27   | 3253-4      | 6    | Washer-Lock              |
| 13   |             | 2    | Tire And Wheel ASM ●   | 28   | 121-1535    | 1    | Steering Cylinder ASM    |
| 13:1 | 120-8910    | 1    | Tire-Off Road          | 28:1 | 106-6774    | 1    | Joint-Ball               |
| 13:2 | 120-8909    | 1    | Rim                    | 28:2 | 100-3795    | 1    | Joint-Ball               |
| 13:3 | 232-27      | 1    | Stem-Valve             | 28:3 | 32151-104   | 2    | Ring-Retaining, External |
| 14   | 74-5700     | 1    | Bearing-Needle, Roller | 28:4 | 302-5       | 1    | Fitting-Grease           |

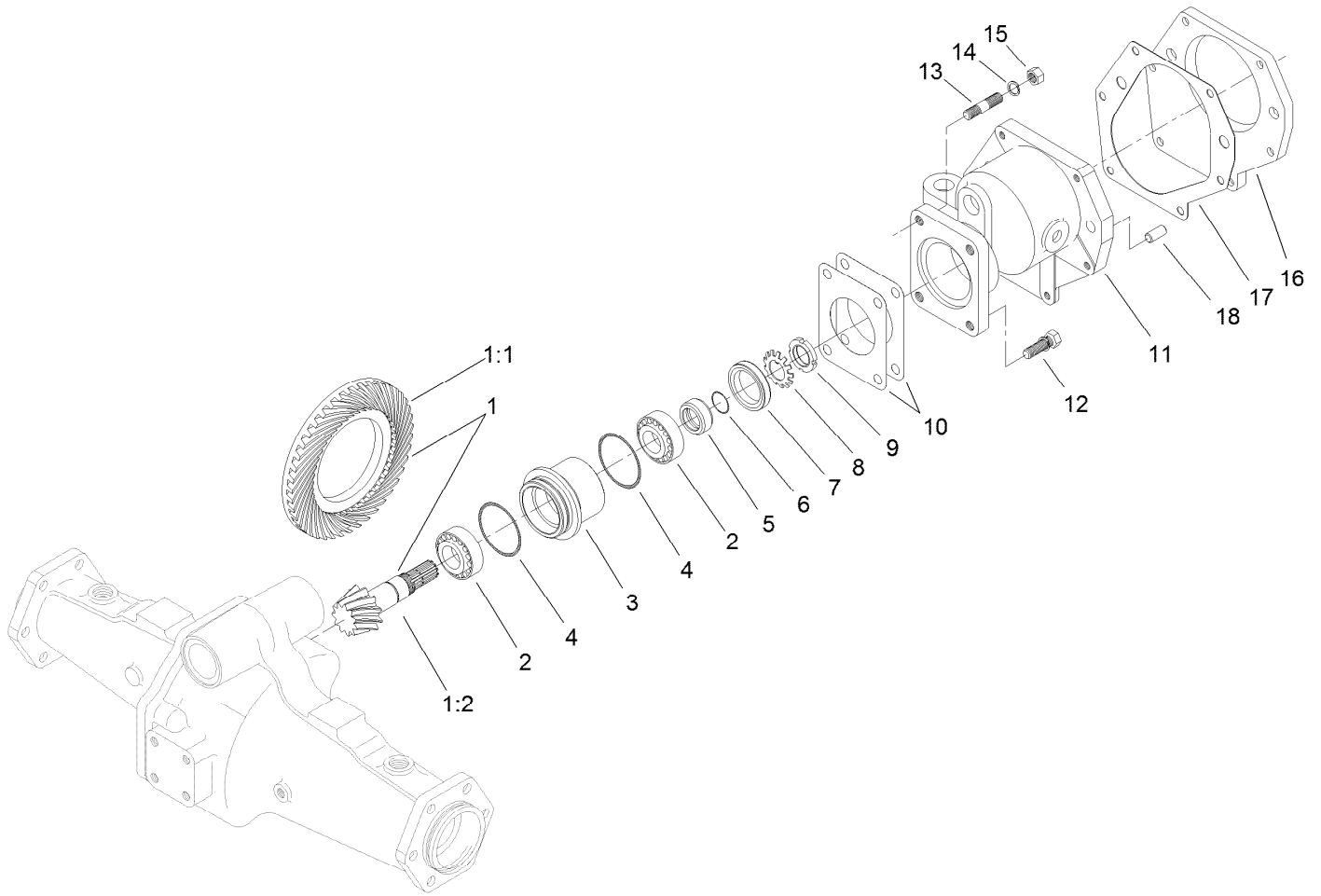
● Not serviced separately



## Rear Axle and Steering Cylinder Assembly (continued)

| <i>Ref.</i> | <i>Part Number</i> | <i>Qty.</i> | <i>Description</i>        | <i>Ref.</i> | <i>Part Number</i> | <i>Qty.</i> | <i>Description</i> |
|-------------|--------------------|-------------|---------------------------|-------------|--------------------|-------------|--------------------|
| 28:5        | 302-60             | 1           | Fitting-Grease            | 33          | 130-2744-03        | 1           | Mount-Rear         |
| 28:6        | 121-1534           | 1           | HYD Steering Cylinder ASM | 34          | 99-5107            | 6           | Nut-Lock           |
| 29          | 302-33             | 2           | Fitting-Grease            | 35          | 98-7077            | 1           | Pin-Axle, Rear     |
| 30          | 3296-68            | 1           | Nut-Lock, NI              | 36          | 32144-14           | 1           | Screw-HWHTF        |
| 31          | 92-1765            | 1           | Washer-Thrust             | 37          | 99-8431            | 2           | Washer-Thrust      |
| 32          | 325-6              | 6           | Screw-HH                  | 38          | 99-8432            | 2           | Washer-Thrust      |

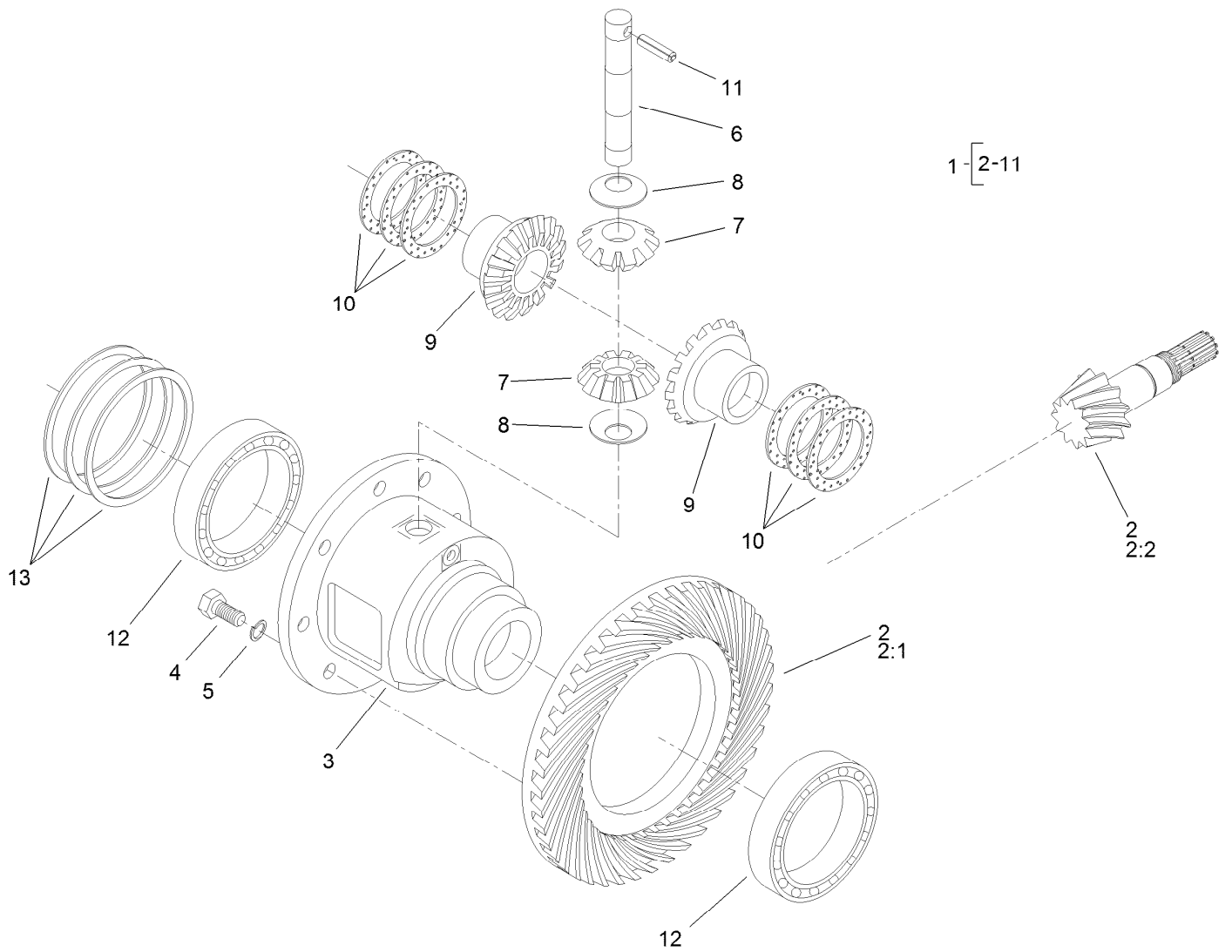
● Not serviced separately



## Bevel Pinion Shaft Assembly Rear Axle Assembly No. 110-4750

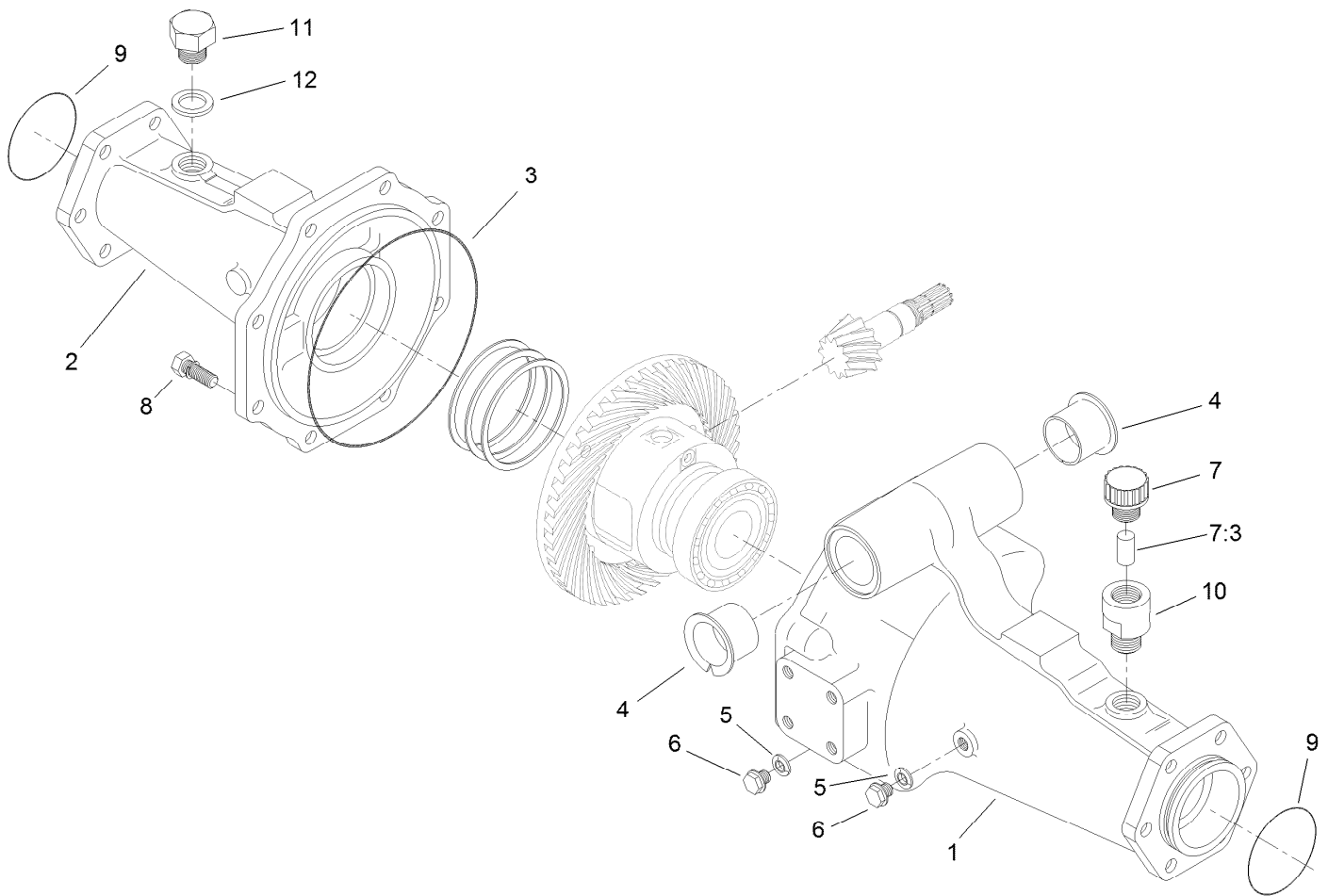
| <i>Ref.</i> | <i>Part Number</i> | <i>Qty.</i> | <i>Description</i>          |
|-------------|--------------------|-------------|-----------------------------|
| 1           | 106-1093           | 1           | Ring And Pinion Set         |
| 1:1         | 95-7504            | 1           | Gear-43 Tooth, Bevel Spiral |
| 1:2         | 106-1092           | 1           | Pinion-Spiral, Bevel        |
| 2           | 99-7570            | 2           | Bearing-Roller, Taper       |
| 3           | 95-7534            | 1           | Case-Bearing                |
| 4           | 106-1065           | 2           | O-Ring                      |
| 5           | 99-7572            | 1           | Collar-Seal, Oil            |
| 6           | 106-1066           | 1           | O-Ring                      |
| 7           | 99-7574            | 1           | Seal-Oil                    |
| 8           | 99-7559            | 1           | Washer-Lock                 |
| 9           | 99-7560            | 1           | Nut-Lock                    |

| <i>Ref.</i> | <i>Part Number</i> | <i>Qty.</i> | <i>Description</i> |
|-------------|--------------------|-------------|--------------------|
| 10          | 99-7550            | 2           | Shim 0.1           |
| 10          | 99-7551            | 2           | Shim 0.2           |
| 11          | 95-7533            | 1           | Case-Gear          |
| 12          | 99-7575            | 2           | Bolt               |
| 13          | 98-7735            | 2           | Stud               |
| 14          | 99-7527            | 2           | Washer-Spring      |
| 15          | 99-7526            | 2           | Nut                |
| 16          | 95-7541            | 1           | Plate-Cover        |
| 17          | 106-1140           | 1           | Gasket             |
| 18          | 104-2353           | 2           | Pin-Dowel          |



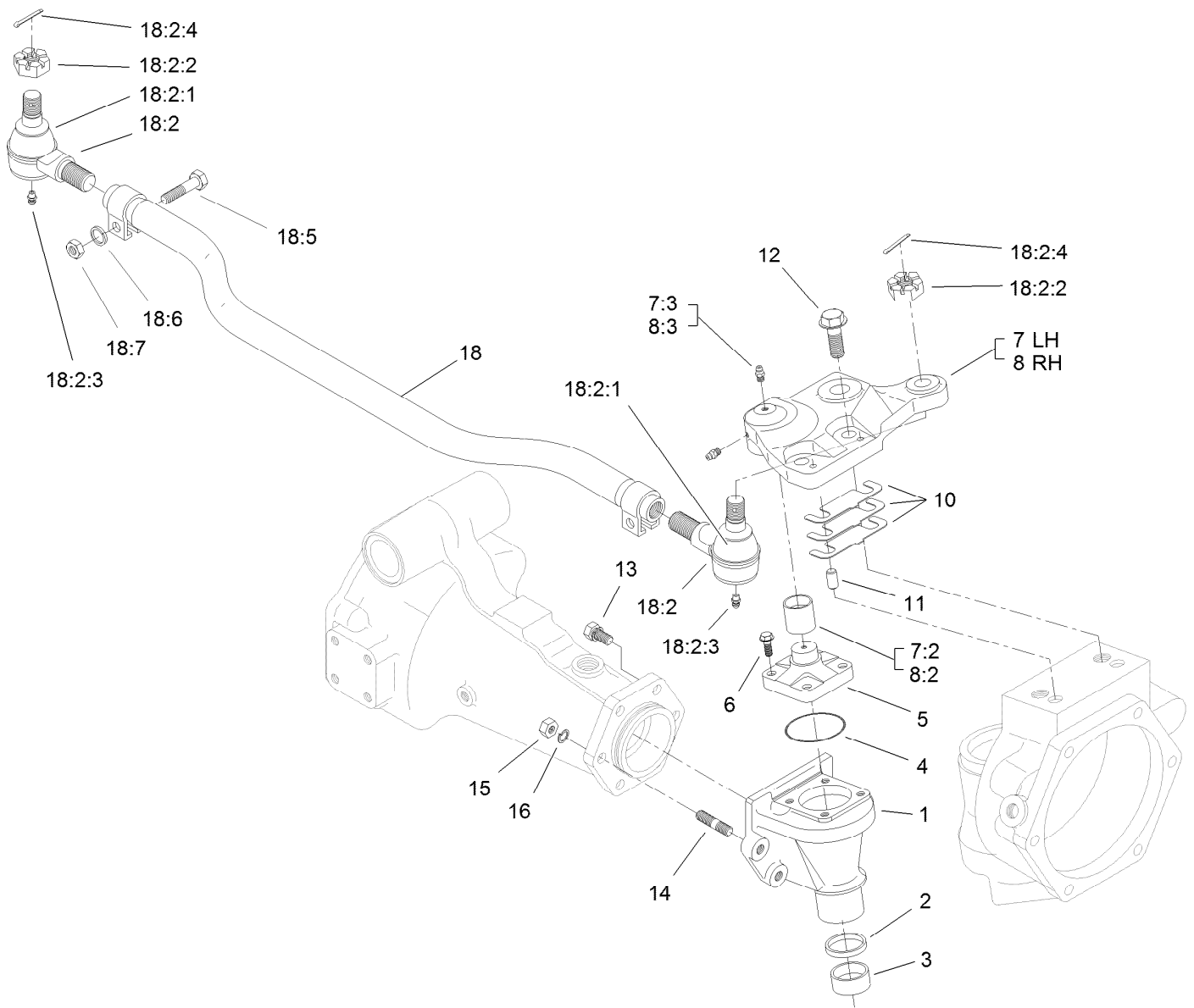
## Differential Assembly Rear Axle Assembly No. 110-4750

| <i>Ref.</i> | <i>Part Number</i> | <i>Qty.</i> | <i>Description</i>          | <i>Ref.</i> | <i>Part Number</i> | <i>Qty.</i> | <i>Description</i>  |
|-------------|--------------------|-------------|-----------------------------|-------------|--------------------|-------------|---------------------|
| 1           | 95-7503            | 1           | Differential ASM            | 9           | 99-7581            | 2           | Gear-Differential   |
| 2           | 106-1093           | 1           | Ring And Pinion Set         | 10          | 99-7582            | 2           | Washer-Differential |
| 2:1         | 95-7504            | 1           | Gear-43 Tooth, Bevel Spiral | 10          | 99-7583            | 2           | Washer-Differential |
| 2:2         | 106-1092           | 1           | Pinion-Spiral, Bevel        | 10          | 99-7584            | 2           | Washer-Differential |
| 3           | 95-7502            | 1           | Case-Differential           | 11          | 99-7588            | 1           | Pin-Spring          |
| 4           | 99-7576            | 8           | Bolt                        | 12          | 99-7562            | 2           | Bearing-Ball        |
| 5           | 3253-4             | 8           | Washer-Lock                 | 13          | 99-7585            | 2           | Shim 0.1            |
| 6           | 99-7578            | 1           | Shaft-Differential          | 13          | 99-7586            | 2           | Shim 0.2            |
| 7           | 99-7579            | 2           | Pinion-Differential         | 13          | 99-7587            | 2           | Shim 0.4            |
| 8           | 99-7580            | 2           | Washer-Differential         |             |                    |             |                     |



## Axle Support Assembly Rear Axle Assembly No. 110-4750

| <i>Ref.</i> | <i>Part Number</i> | <i>Qty.</i> | <i>Description</i>  |
|-------------|--------------------|-------------|---------------------|
| 1           | 95-7508            | 1           | Support-Axle        |
| 2           | 95-7506            | 1           | Support-Axle        |
| 3           | 106-1067           | 1           | O-Ring              |
| 4           | 95-7537            | 2           | Bushing-Flanged     |
| 5           | 99-7590            | 2           | Washer-Seal         |
| 6           | 99-7589            | 2           | Plug                |
| 7           | 110-4812           | 1           | Axle Vent ASM       |
| 7:3         | 110-4815           | 1           | Insert-Filter, Foam |
| 8           | 99-7592            | 8           | Bolt                |
| 9           | 106-1068           | 2           | O-Ring              |
| 10          | 104-2377           | 1           | Extension-Vent      |
| 11          | 104-8643           | 1           | Plug                |
| 12          | 104-8644           | 1           | O-Ring              |



## Bevel Gear Case Assembly Rear Axle Assembly No. 110-4750

| Ref. | Part Number | Qty. | Description         | Ref.   | Part Number | Qty. | Description                    |
|------|-------------|------|---------------------|--------|-------------|------|--------------------------------|
| 1    | 110-4752    | 2    | Case-Gear, Bevel    | 12     | 104-2375    | 4    | Bolt                           |
| 2    | 110-4754    | 2    | Seal-Oil            | 13     | 99-7599     | 8    | Bolt                           |
| 3    | 104-2378    | 2    | Bushing             | 14     | 99-7525     | 4    | Stud                           |
| 4    | 106-1069    | 2    | O-Ring              | 15     | 99-7526     | 4    | Nut                            |
| 5    | 104-2373    | 2    | Knuckle             | 16     | 99-7527     | 4    | Washer-Spring                  |
| 6    | 104-2374    | 8    | Bolt                | 18     | 106-1141    | 1    | Steering Tie Rod ASM           |
| 7    | 100-3768    | 1    | LH Steering Arm ASM | 18:2   | 106-1113    | 2    | Tie Rod End ASM - RH<br>Thread |
| 7:2  | 104-8634    | 1    | Bushing             | 18:2:1 | 100-3853    | 1    | Cover-Dust                     |
| 7:3  | 106-1104    | 2    | Fitting-Grease      | 18:2:2 | 100-3854    | 1    | Nut-Castle                     |
| 8    | 100-3766    | 1    | RH Steering Arm ASM | 18:2:3 | 110-4755    | 1    | Fitting-Grease                 |
| 8:2  | 104-8634    | 1    | Bushing             | 18:2:4 | 3272-11     | 1    | Pin-Cotter                     |
| 8:3  | 106-1104    | 2    | Fitting-Grease      | 18:5   | 100-3855    | 2    | Bolt                           |
| 10   | 95-7547     | 2    | Shim 0.1            | 18:6   | 99-7527     | 2    | Washer-Spring                  |
| 10   | 95-7548     | 2    | Shim 0.2            | 18:7   | 99-7526     | 2    | Nut                            |
| 10   | 95-7549     | 2    | Shim 0.3            |        |             |      |                                |
| 11   | 99-7597     | 4    | Pin-Dowel           |        |             |      |                                |



## Bevel Gear Shaft Assembly Rear Axle Assembly No. 110-4750

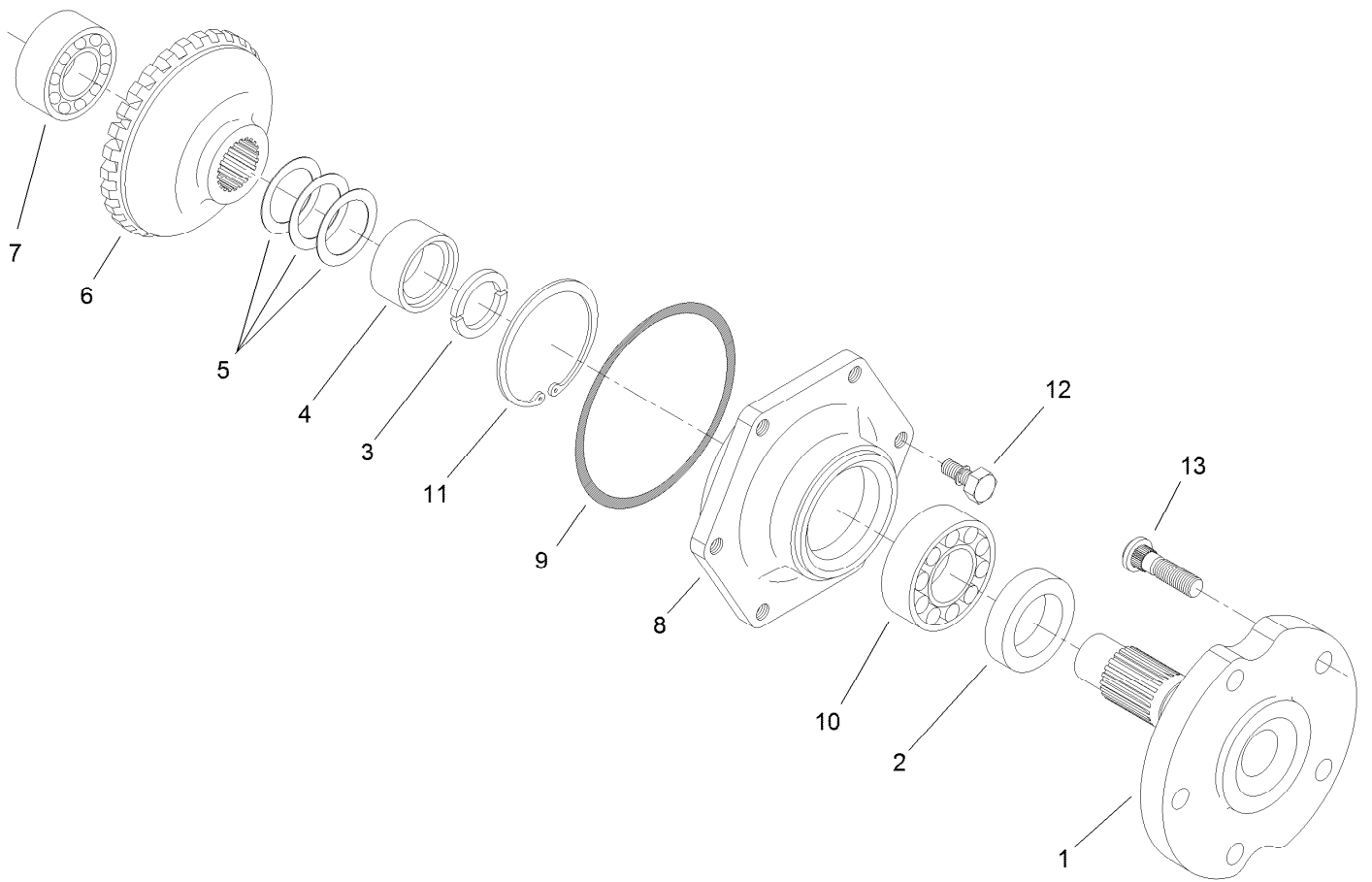
| <i>Ref.</i> | <i>Part Number</i> | <i>Qty.</i> | <i>Description</i>       |
|-------------|--------------------|-------------|--------------------------|
| 1           | 95-7509            | 1           | Shaft-Gear, Differential |
| 2           | 95-7512            | 1           | Shaft-Gear, Differential |
| 3           | 95-7517            | 2           | Gear-Bevel, 15 Tooth     |
| 4           | 99-7530            | 4           | Bearing-Ball             |
| 5           | 99-7552            | 2           | Shim 0.1                 |
| 5           | 99-7553            | 2           | Shim 0.2                 |
| 5           | 99-7554            | 2           | Shim 0.5                 |
| 6           | 99-7531            | 2           | Clip                     |
| 7           | 110-4753           | 2           | Shaft-Gear, Bevel        |
| 8           | 95-7519            | 2           | Gear-Bevel, 17 Tooth     |
| 9           | 99-7532            | 2           | Bearing-Roller, Taper    |
| 10          | 99-7558            | 2           | Collar                   |





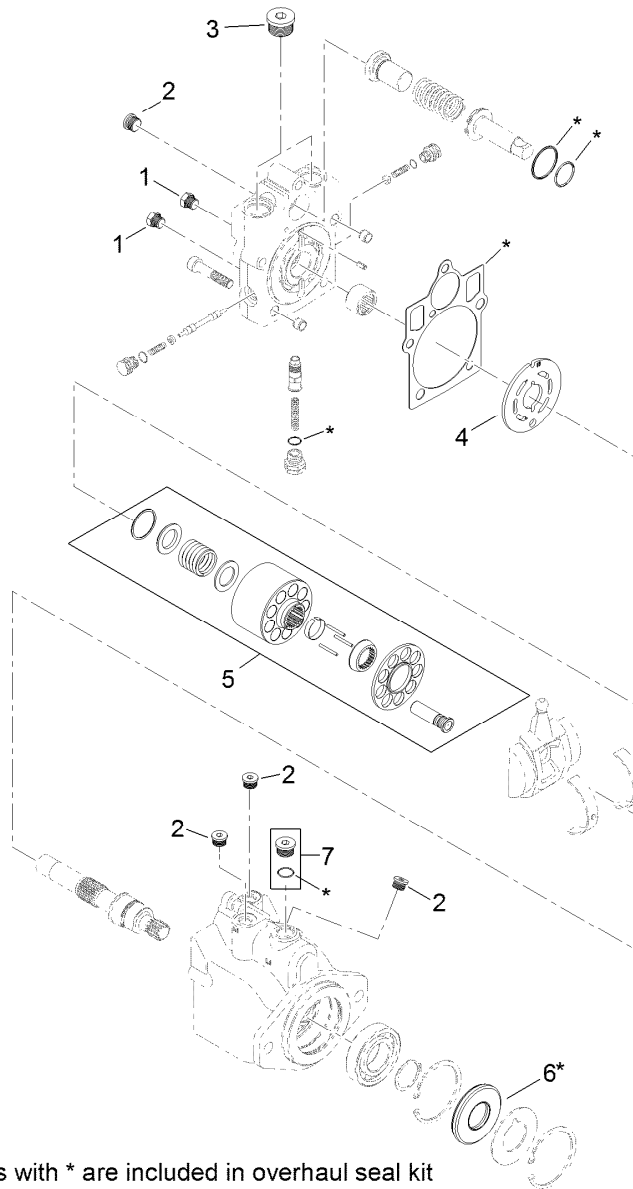
## Axle Case Assembly Rear Axle Assembly No. 110-4750

| <i>Ref.</i> | <i>Part Number</i> | <i>Qty.</i> | <i>Description</i>    |
|-------------|--------------------|-------------|-----------------------|
| 1           | 110-4751           | 2           | Case-Axle             |
| 2           | 99-7535            | 2           | Plug                  |
| 3           | 99-7536            | 2           | Washer-Seal           |
| 4           | 95-7527            | 2           | Gear-Bevel, 17 Tooth  |
| 5           | 99-7532            | 2           | Bearing-Roller, Taper |
| 6           | 100-2560           | 2           | Cover                 |
| 7           | 106-1070           | 2           | O-Ring                |
| 8           | 99-7589            | 2           | Plug                  |
| 9           | 99-7590            | 2           | Washer-Seal           |
| 10          | 100-2562           | 8           | Bolt                  |
| 11          | 106-1102           | 2           | Bolt-Stop             |
| 12          | 106-1103           | 2           | Nut                   |



## Axle Assembly Rear Axle Assembly No. 110-4750

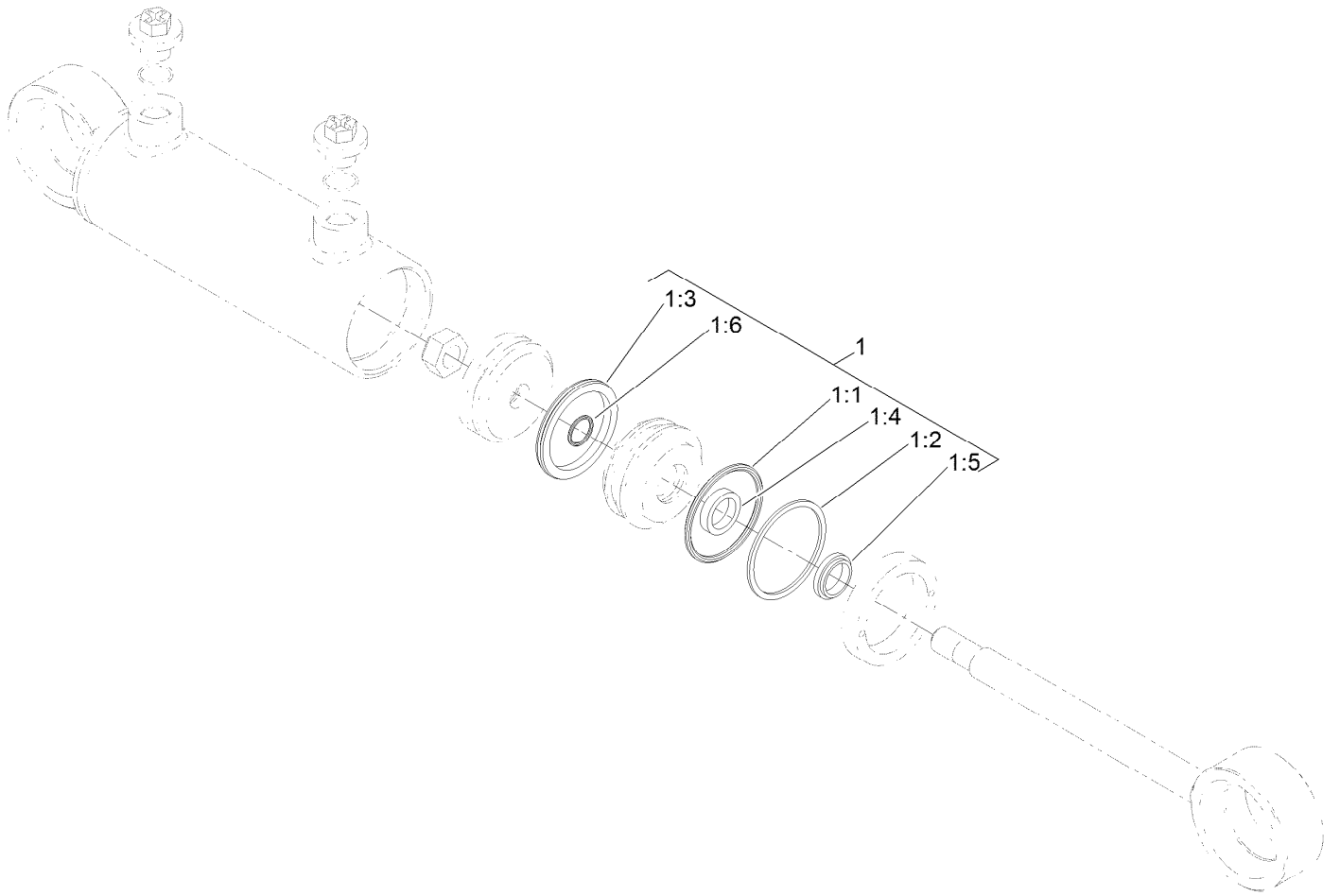
| <i>Ref.</i> | <i>Part Number</i> | <i>Qty.</i> | <i>Description</i>   |
|-------------|--------------------|-------------|----------------------|
| 1           | 95-7522            | 2           | Axle                 |
| 2           | 99-7564            | 2           | Seal-Oil             |
| 3           | 95-7544            | 4           | Clip                 |
| 4           | 95-7523            | 2           | Spacer               |
| 5           | 99-7555            | 2           | Shim 0.3             |
| 5           | 99-7556            | 2           | Shim 0.2             |
| 5           | 99-7557            | 2           | Shim 0.5             |
| 6           | 95-7524            | 2           | Gear-Bevel, 29 Tooth |
| 7           | 99-7534            | 2           | Bearing-Ball         |
| 8           | 95-7521            | 2           | Cover-Axle           |
| 9           | 106-1071           | 2           | O-Ring               |
| 10          | 99-7561            | 2           | Bearing-Ball         |
| 11          | 99-7539            | 2           | Clip                 |
| 12          | 99-7596            | 12          | Bolt                 |
| 13          | 99-7563            | 10          | Stud                 |



8 = all items with \* are included in overhaul seal kit

## Hydraulic Motor Assembly No. 120-8814

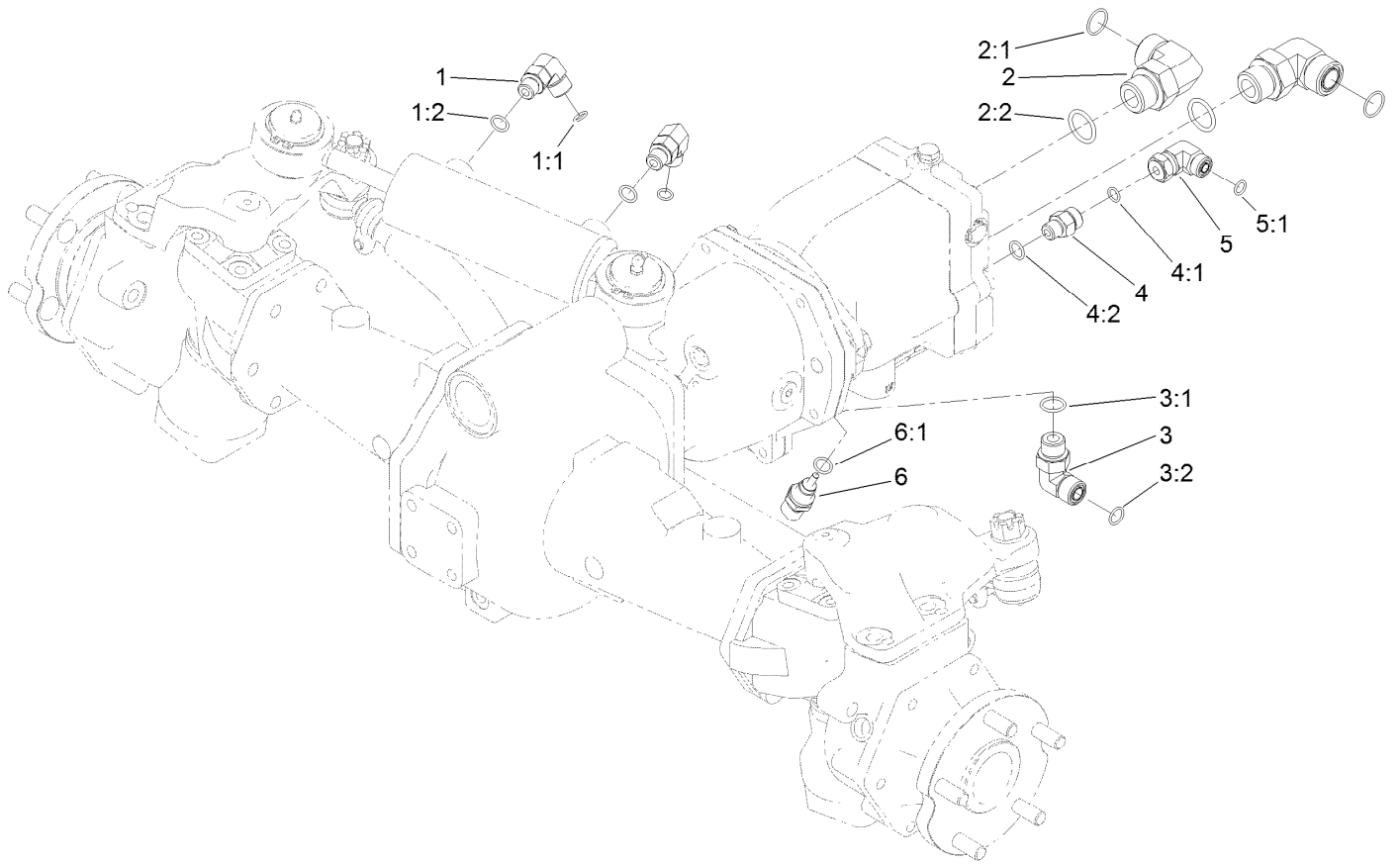
| <i>Ref.</i> | <i>Part Number</i> | <i>Qty.</i> | <i>Description</i>     |
|-------------|--------------------|-------------|------------------------|
| 1           | 92-1352            | 2           | Plug                   |
| 2           | 69-3080            | 5           | Plug                   |
| 3           | 69-3130            | 2           | Plug                   |
| 4           | 121-1734           | 1           | Plate-Valve            |
| 5           | 110-6472           | 1           | Cylinder Block Kit ASM |
| 6           | 69-3190            | 1           | Seal-Lip               |
| 7           | 67-9090            | 1           | Plug                   |
| 8           | 121-1736           | 1           | Overhaul Seal Kit      |



## Steering Cylinder Assembly No. 121-1534

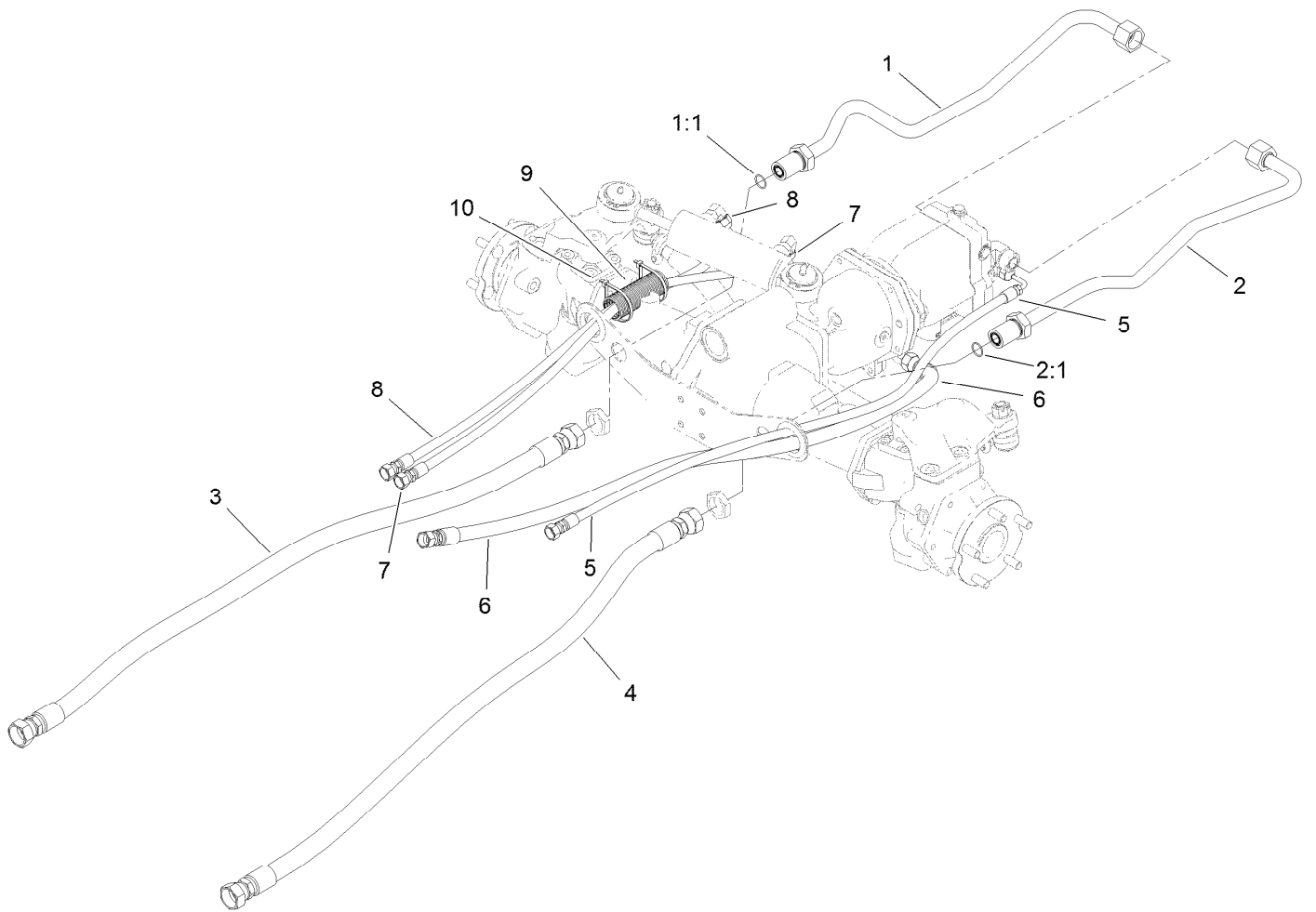
| <i>Ref.</i> | <i>Part Number</i> | <i>Qty.</i> | <i>Description</i> |
|-------------|--------------------|-------------|--------------------|
| 1           | 125-4302           | 1           | Seal Kit           |
| 1:1         |                    | 1           | O-Ring ●           |
| 1:2         |                    | 1           | Backup ●           |
| 1:3         |                    | 1           | Bp Seal ●          |
| 1:4         |                    | 1           | Bt Seal ●          |
| 1:5         |                    | 1           | Dust Seal ●        |
| 1:6         |                    | 1           | O-Ring ●           |

● Not serviced separately



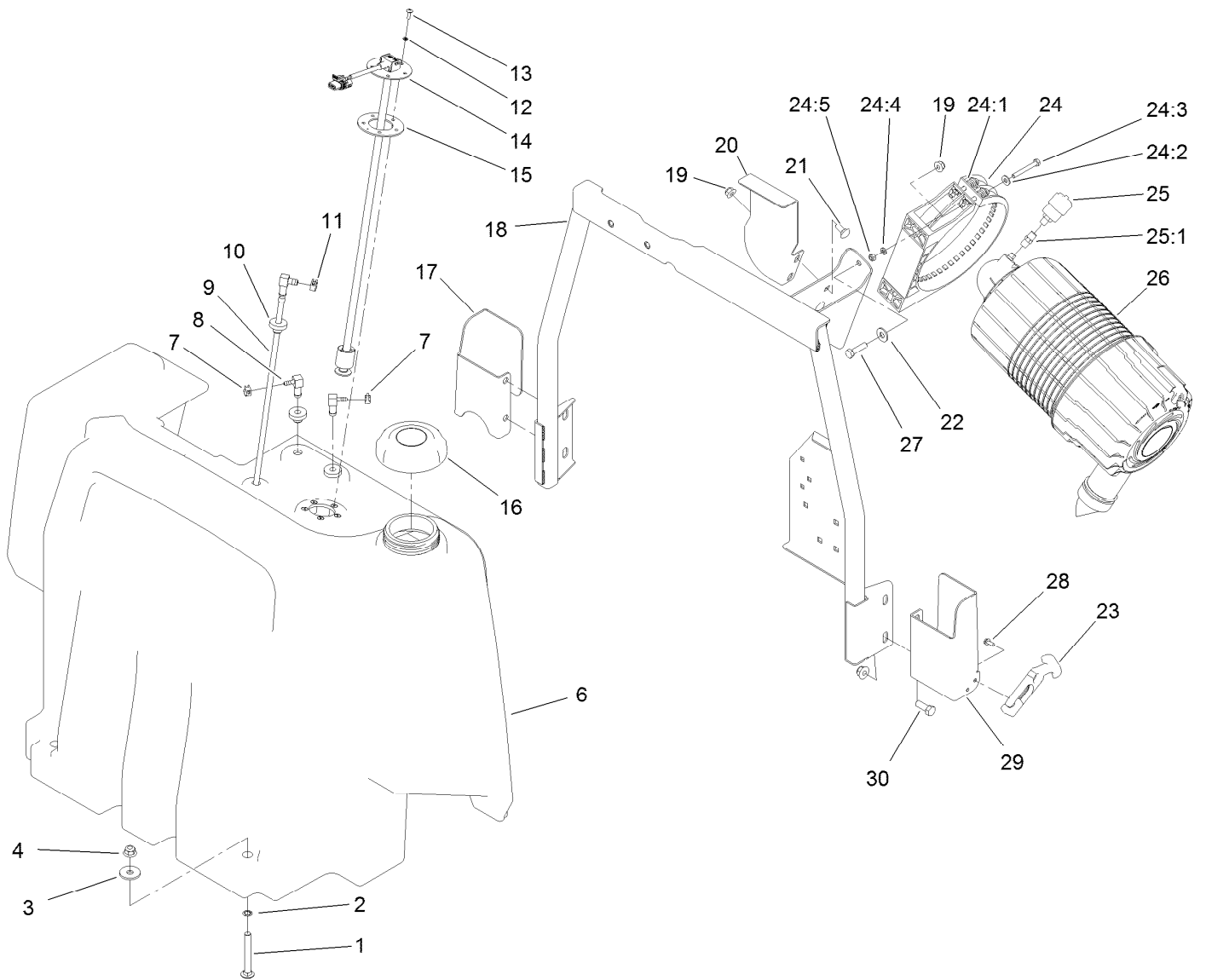
## Hydraulic Fitting Assembly

| <i>Ref.</i> | <i>Part Number</i> | <i>Qty.</i> | <i>Description</i>    | <i>Ref.</i> | <i>Part Number</i> | <i>Qty.</i> | <i>Description</i> |
|-------------|--------------------|-------------|-----------------------|-------------|--------------------|-------------|--------------------|
| 1           | 340-77             | 2           | Fitting-Elbow, 90 DEG | 3:2         | 237-30             | 1           | O-Ring             |
| 1:1         | 237-22             | 1           | O-Ring                | 4           | 340-2              | 1           | Fitting-Straight   |
| 1:2         | 237-42             | 1           | O-Ring                | 4:1         | 237-22             | 1           | O-Ring             |
| 2           | 340-142            | 2           | Fitting-Elbow, 90 DEG | 4:2         | 237-42             | 1           | O-Ring             |
| 2:1         | 237-58             | 1           | O-Ring                | 5           | 340-159            | 1           | Elbow-90           |
| 2:2         | 237-81             | 1           | O-Ring                | 5:1         | 237-22             | 2           | O-Ring             |
| 3           | 340-98             | 1           | Fitting-Elbow, 90 DEG | 6           | 110-8829           | 1           | Sender-Temperature |
| 3:1         | 237-79             | 1           | O-Ring                | 6:1         | 237-42             | 1           | O-Ring             |



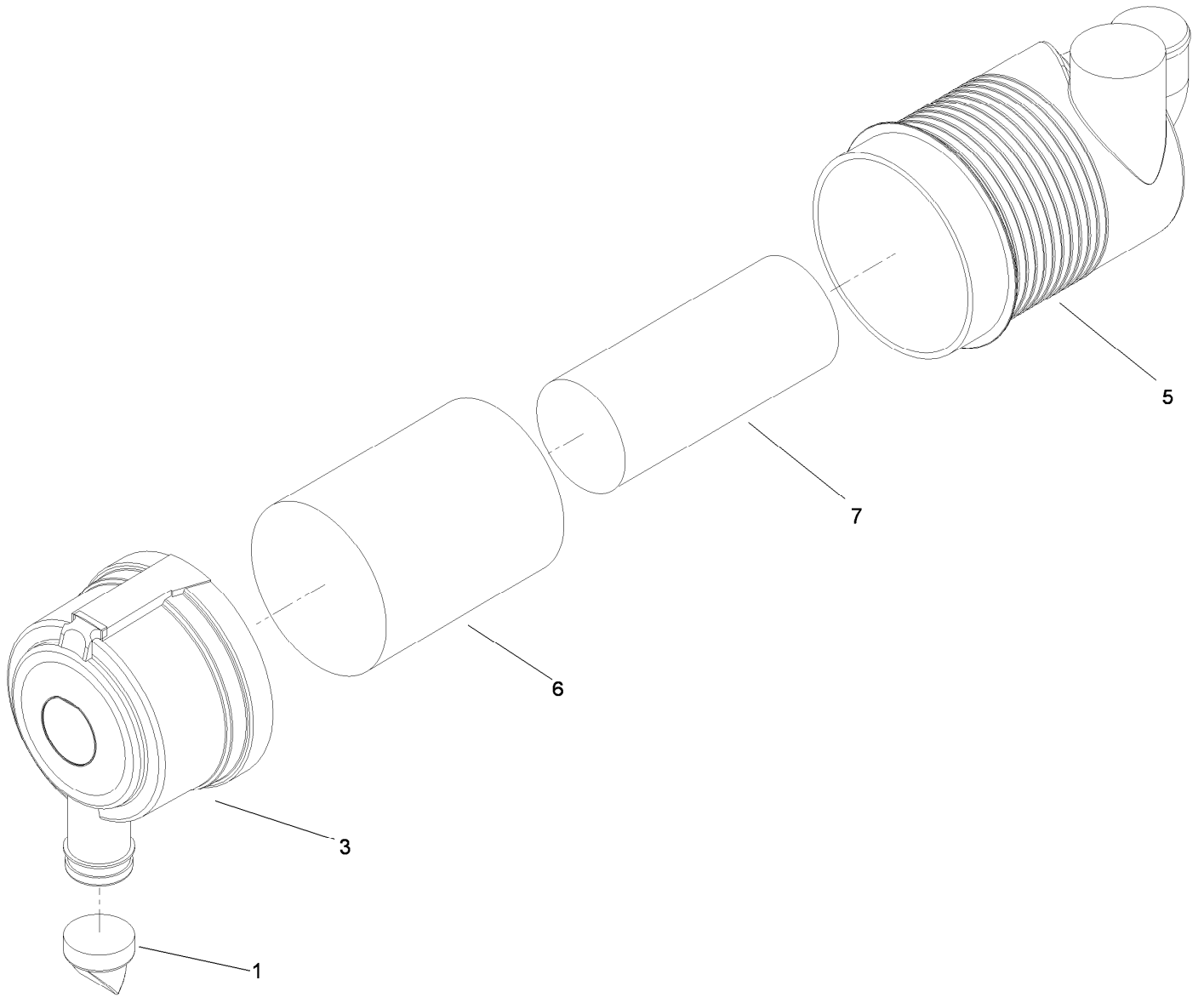
## Hose and Tube Routing Assembly

| <i>Ref.</i> | <i>Part Number</i> | <i>Qty.</i> | <i>Description</i> |
|-------------|--------------------|-------------|--------------------|
| 1           | 120-9067           | 1           | HYD Tube ASM       |
| 1:1         | 237-58             | 1           | O-Ring             |
| 2           | 120-9068           | 1           | Tube ASM           |
| 2:1         | 237-58             | 1           | O-Ring             |
| 3           | 121-1502           | 1           | Hose-HYD           |
| 4           | 114-0024           | 1           | Hose-HYD           |
| 5           | 121-1459           | 1           | Hose-HYD           |
| 6           | 121-1458           | 1           | Hose-HYD           |
| 7           | 121-1500           | 1           | Hose-HYD           |
| 8           | 121-1501           | 1           | Hose-HYD           |
| 9           | 121-1544           | 2           | Cover-Hose         |
| 10          | 3290-379           | 4           | Tie-Cable          |



## Fuel Tank and Air Cleaner Assembly

| Ref. | Part Number | Qty. | Description           | Ref. | Part Number | Qty. | Description        |
|------|-------------|------|-----------------------|------|-------------|------|--------------------|
| 1    | 3231-10     | 2    | Screw-CARR            | 20   | 120-4193-03 | 2    | Bracket-Fuel Tank  |
| 2    | 32151-72    | 2    | Ring-Retaining        | 21   | 3230-1      | 2    | Bolt-CARR          |
| 3    | 63-8410     | 2    | Washer                | 22   | 3256-3      | 2    | Washer-Flat        |
| 4    | 104-8301    | 6    | Nut-HF, NI            | 23   | 103-4080    | 2    | Latch-Rubber       |
| 6    | 120-4195    | 1    | Tank-Fuel             | 24   | 99-5414     | 1    | Strap-Cleaner, Air |
| 7    | 2412-98     | 2    | Clamp-Hose            | 24:1 | 108-1512    | 2    | Spring             |
| 8    | 104-5228    | 2    | Fitting-Elbow, 90 DEG | 24:2 | 3256-22     | 2    | Washer-Flat        |
| 9    | 120-8908    | 1    | Pipe-Stand            | 24:3 | 33113-050   | 2    | Screw-HH           |
| 10   | 46-6560     | 3    | Bushing               | 24:4 | 33093-00    | 2    | Washer-Flat        |
| 11   | 92-2379     | 1    | Clamp-Hose            | 24:5 | 33023-00    | 2    | Nut-Lock           |
| 12   | 3253-15     | 5    | Washer-Lock           | 25   | 104-3563    | 1    | Indicator          |
| 13   | 32122-24    | 5    | Screw-PTH             | 25:1 | 94-1416     | 1    | Adapter-Indicator  |
| 14   | 121-1688    | 1    | Gauge-Fuel            | 26   | 99-5410     | 1    | Air Cleaner ASM    |
| 15   | 121-1707    | 1    | Gasket-Fuel, Viton    | 27   | 322-6       | 2    | Screw-HH           |
| 16   | 125-9171    | 1    | Cap-Fuel              | 28   | 32144-1     | 4    | Screw-Taptite      |
| 17   | 121-1514-03 | 2    | Bracket-Latch, RH     | 29   | 121-1513-03 | 2    | Bracket-Latch, LH  |
| 18   | 120-4190-03 | 2    | Support-Tank          | 30   | 323-6       | 4    | Screw-HH           |
| 19   | 104-8300    | 4    | Nut-HF, NI            |      |             |      |                    |

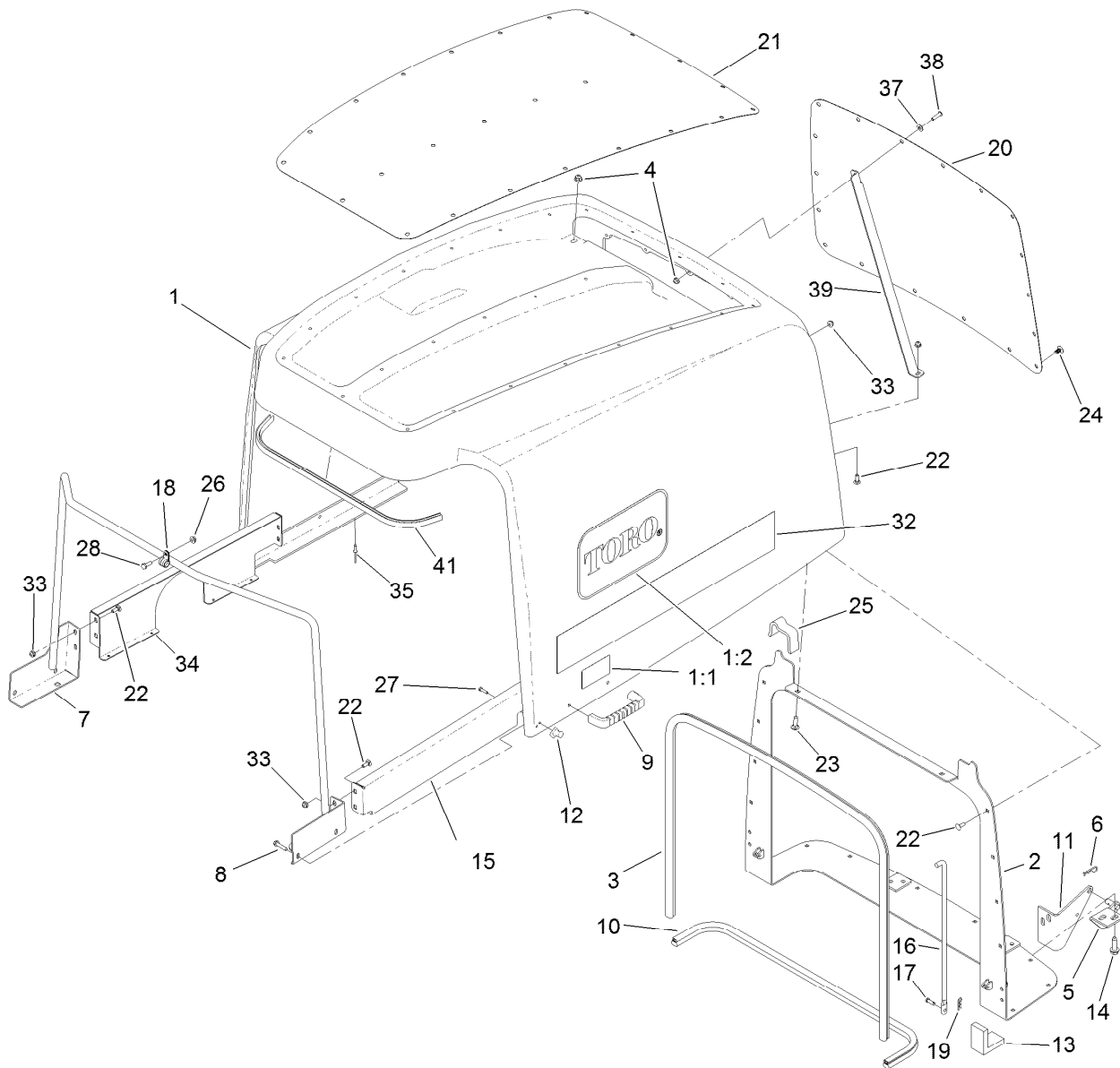


## Air Cleaner Assembly No. 99-5410

| Ref. | Part Number | Qty. | Description    |
|------|-------------|------|----------------|
| 1    | 104-4258    | 1    | Valve-Vacuator |
| 3    | 104-4259    | 1    | Cover          |
| 5    |             | 1    | Body ASM ●     |
| 6    | 108-3814    | 1    | Filter-Air     |
| 7    | 108-3816    | 1    | Filter-Air     |

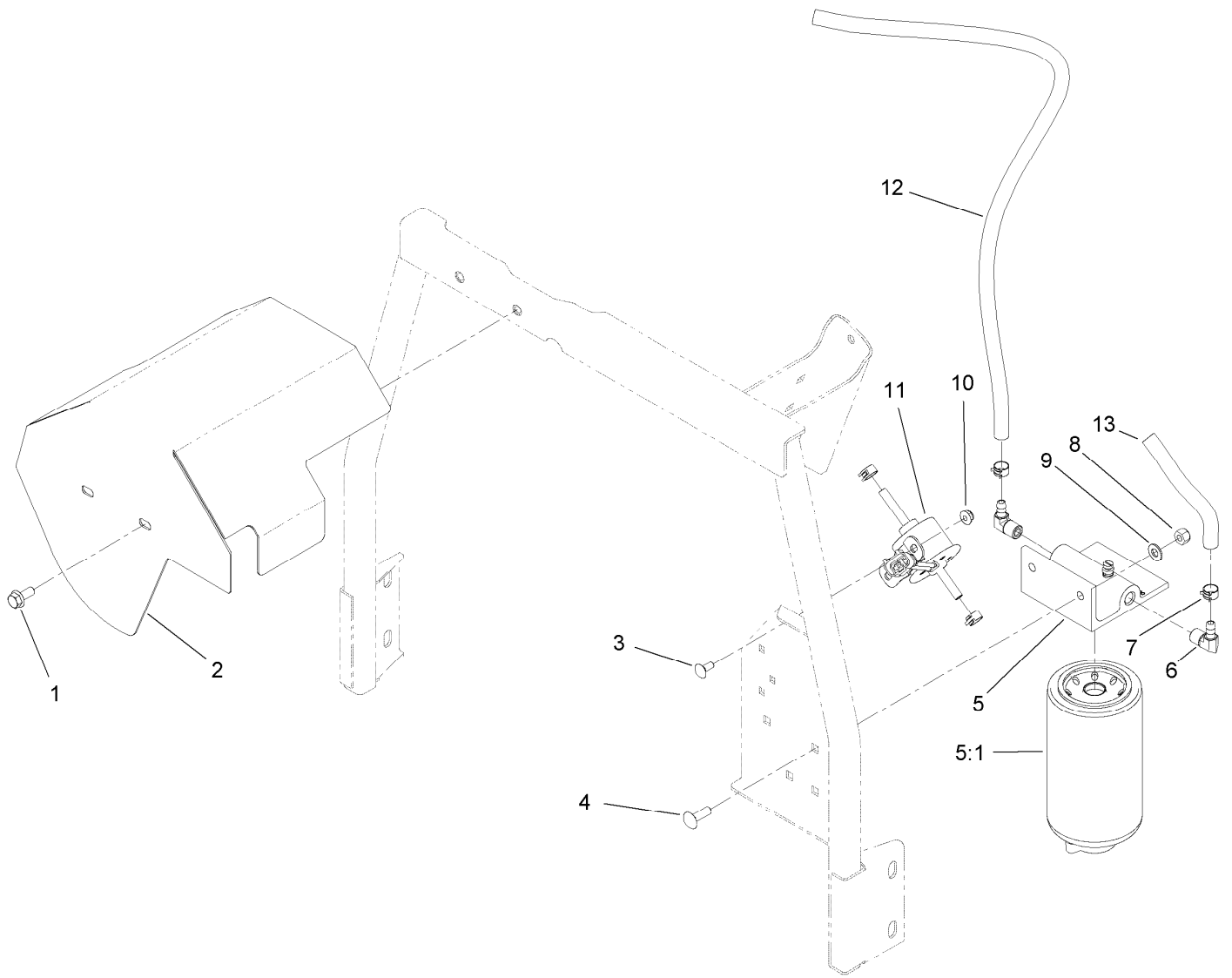
● Not serviced separately





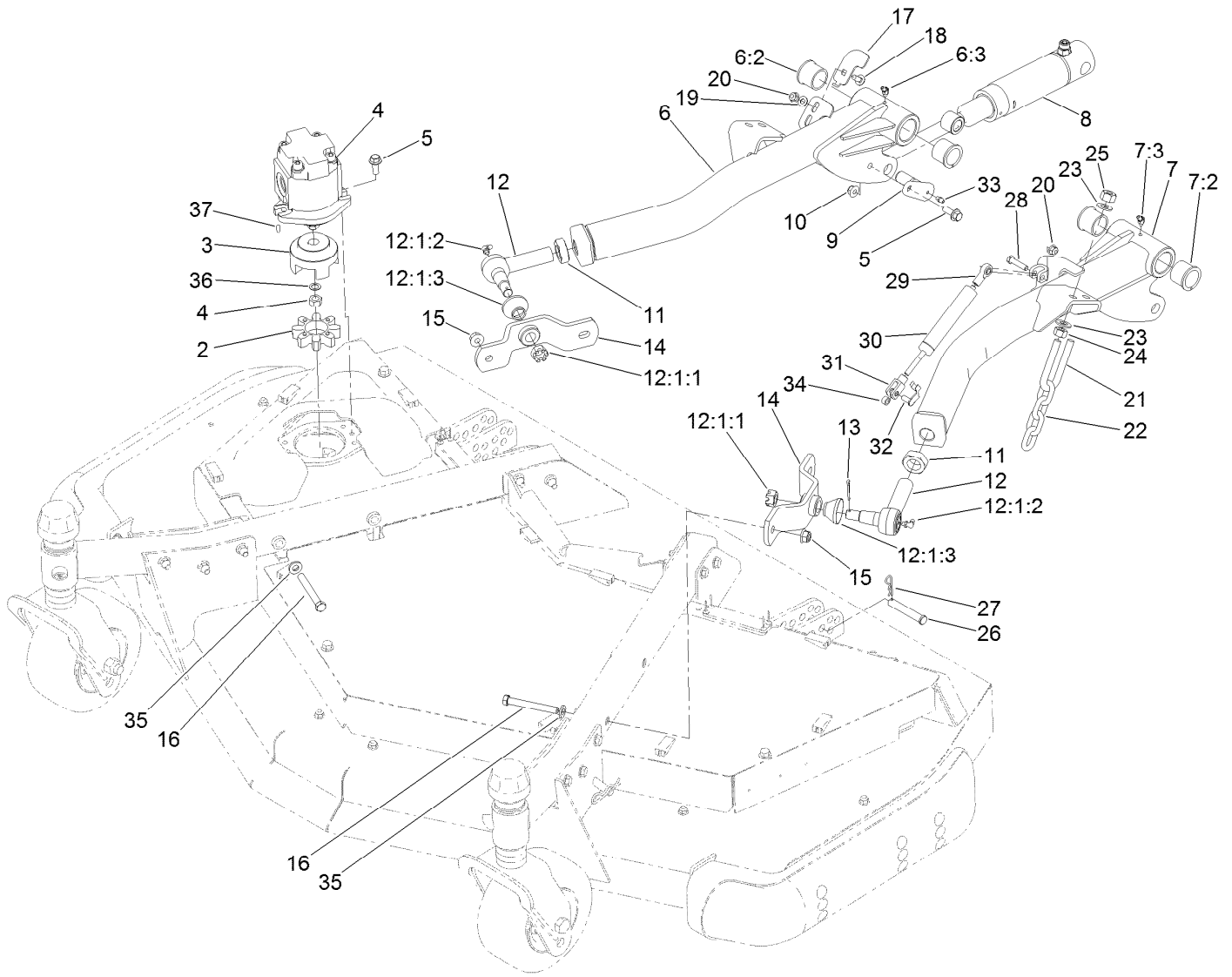
## Hood Assembly

| Ref. | Part Number | Qty. | Description         | Ref. | Part Number | Qty. | Description       |
|------|-------------|------|---------------------|------|-------------|------|-------------------|
| 1    | 120-9090    | 1    | Hood ASM            | 18   | 2412-134    | 2    | Clamp-R           |
| 1:1  | 106-6754    | 2    | Decal-Danger        | 19   | 3290-307    | 2    | Pin-Cotter        |
| 1:2  | 66-1210     | 2    | Decal               | 20   | 120-9096-03 | 2    | Screen-Hood, Rear |
| 2    | 120-9099-03 | 2    | Pivot-Hood          | 21   | 120-9097-03 | 2    | Screen-Hood, Top  |
| 3    | 114-3823    | 1    | Seal-Bulb           | 22   | 3229-1      | 24   | Screw-CARR        |
| 4    | 104-8300    | 2    | Nut-HF, NI          | 23   | 3230-2      | 2    | Bolt-CARR         |
| 5    | 121-1470    | 2    | Pivot-Screen        | 24   | 117-2382    | 42   | Plug-Plastic      |
| 6    | 3290-467    | 2    | Pin-Hair            | 25   | 120-9087    | 2    | Seal-Foam         |
| 7    | 120-4196-03 | 2    | Support-Hood        | 26   | 32128-33    | 2    | Nut-HF            |
| 8    | 46-8092     | 4    | Screw-Plastite      | 27   | 32104-4     | 2    | Screw             |
| 9    | 65-5100     | 2    | Handle-Door         | 28   | 321-4       | 2    | Screw-HH          |
| 10   | 104-3590    | 1    | Seal-Bulb           | 32   | 119-0054    | 2    | Decal-Hood        |
| 11   | 104-3588-03 | 4    | Pivot-Screen        | 33   | 104-7201    | 25   | Nut-HF, NI        |
| 12   | 103-4081    | 2    | Latch-Keeper        | 34   | 120-8948-03 | 2    | Support-Hood, RH  |
| 13   | 104-3580    | 2    | Seal-Corner, Screen | 35   | 3269-4      | 8    | Rivet-Pop         |
| 14   | 32144-109   | 8    | Screw-Thd           | 37   | 3256-1      | 1    | Washer-Flat       |
| 15   | 120-8949-03 | 2    | Support-Hood, LH    | 38   | 3274-65     | 1    | Screw-HSBH        |
| 16   | 104-8313    | 2    | Rod-Hood            | 39   | 127-3707-03 | 2    | Support-Hood      |
| 17   | 283-67      | 2    | Pin-Clevis          | 41   | 132-6181    | 1    | Trim              |



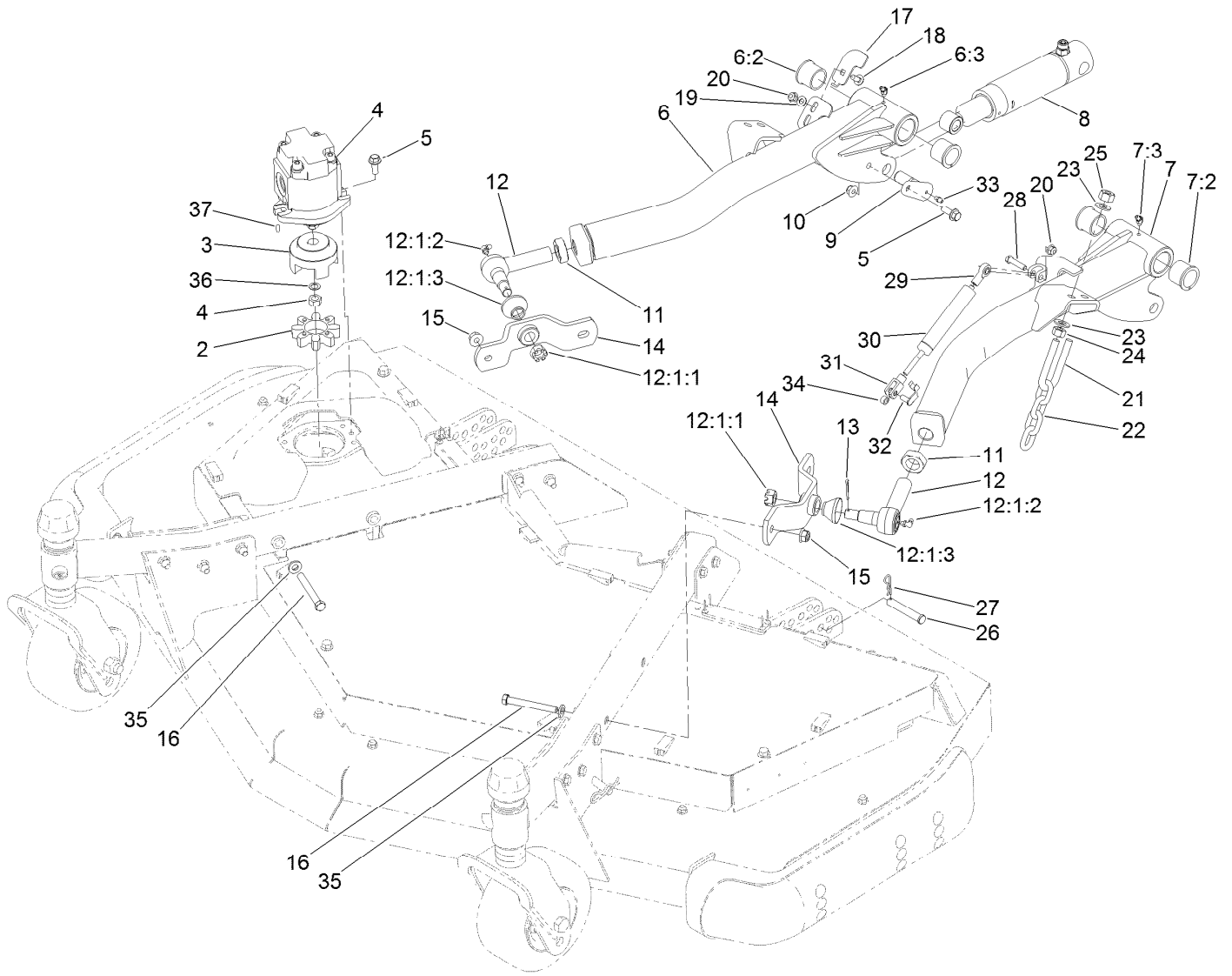
## Fuel/Water Separator and Shield Assembly

| <i>Ref.</i> | <i>Part Number</i> | <i>Qty.</i> | <i>Description</i>          |
|-------------|--------------------|-------------|-----------------------------|
| 1           | 3234-47            | 2           | Screw-HHF                   |
| 2           | 120-4188-03        | 1           | Bracket-Guard, Fuel Tank    |
| 3           | 3229-11            | 2           | Screw-CARR                  |
| 4           | 3230-22            | 2           | Screw-CARR                  |
| 5           | 125-2914           | 1           | Filter-Separator            |
| 5:1         | 125-2915           | 1           | Filter-Fuel/Water Separator |
| 6           | 353-781            | 2           | Fitting-HYD, 90             |
| 7           | 92-2379            | 4           | Clamp-Hose                  |
| 8           | 3296-29            | 2           | Nut-Lock, NI                |
| 9           | 3256-23            | 2           | Washer-Plain                |
| 10          | 104-7201           | 2           | Nut-HF, NI                  |
| 11          | 121-5613           | 1           | Pump-Fuel, Electric         |
| 12          | 109-0309           | 1           | Hose-Fuel                   |
| 13          | 110-3256           | 1           | Hose-Fuel                   |



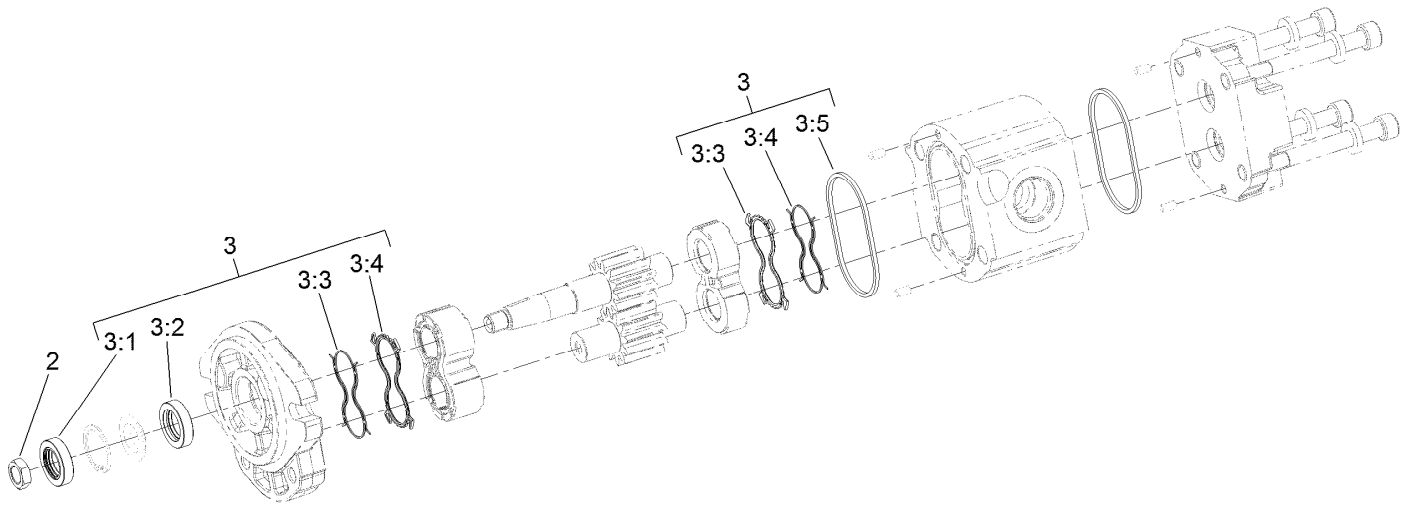
## Front Deck Installation Assembly

| Ref.   | Part Number | Qty. | Description            | Ref. | Part Number | Qty. | Description        |
|--------|-------------|------|------------------------|------|-------------|------|--------------------|
| 2      | 104-3542    | 1    | Spider                 | 16   | 324-19      | 4    | Screw-HH           |
| 3      | 104-3541    | 1    | Hub-Spider             | 17   | 120-8893    | 1    | Plate-Sensor       |
| 4      | 127-3694    | 1    | HYD Motor ASM          | 18   | 3230-23     | 1    | Bolt-CARR          |
| 5      | 3234-42     | 4    | Screw-HHF              | 19   | 3256-23     | 1    | Washer-Plain       |
| 6      | 120-8878    | 1    | RH Lift Arm ASM        | 20   | 104-8300    | 2    | Nut-HF, NI         |
| 6:2    | 104-0015    | 2    | Bushing-Flange         | 21   | 104-0108    | 2    | U-Bolt             |
| 6:3    | 302-11      | 1    | Fitting-Lube, 45 DEG   | 22   | 95-6231     | 2    | Chain-HOC          |
| 7      | 120-8879    | 1    | LH Lift Arm ASM        | 23   | 3256-26     | 8    | Washer-Flat        |
| 7:2    | 104-0015    | 2    | Bushing-Flange         | 24   | 3217-9      | 4    | Nut-HH             |
| 7:3    | 302-11      | 1    | Fitting-Lube, 45 DEG   | 25   | 3296-25     | 4    | Nut-Lock, NI       |
| 8      | 120-8802    | 2    | HYD Cylinder ASM       | 26   | 283-55      | 2    | Pin-Clevis         |
| 9      | 120-5575    | 2    | Pin                    | 27   | 3290-467    | 2    | Pin-Hair           |
| 10     | 104-8301    | 2    | Nut-HF, NI             | 28   | 322-17      | 1    | Screw-HH           |
| 11     | 21-3001     | 2    | Nut-Jam                | 29   | 104-8331    | 1    | End-Rod, Spherical |
| 12     | 86-8101-01  | 2    | Joint-Ball, LH         | 30   | 105-3249    | 1    | Damper             |
| 12:1:1 | 32136-2     | 1    | Nut-SHH                | 31   | 115-5455    | 1    | End-Rod, Clevis    |
| 12:1:2 | 302-40      | 1    | Fitting-Grease, 90 DEG | 32   | 115-5454    | 1    | Pin-Spring         |
| 12:1:3 | 114-2874    | 1    | Seal-Ball Joint        | 33   | 302-5       | 2    | Fitting-Grease     |
| 13     | 3272-12     | 2    | Pin-Cotter             | 34   | 115-2142    | 1    | Spacer             |
| 14     | 93-4583-01  | 2    | Mount-Joint, Ball      | 35   | 87-7480     | 4    | Washer             |
| 15     | 114-8417    | 4    | Nut-HF, NI             |      |             |      |                    |



## Front Deck Installation Assembly (continued)

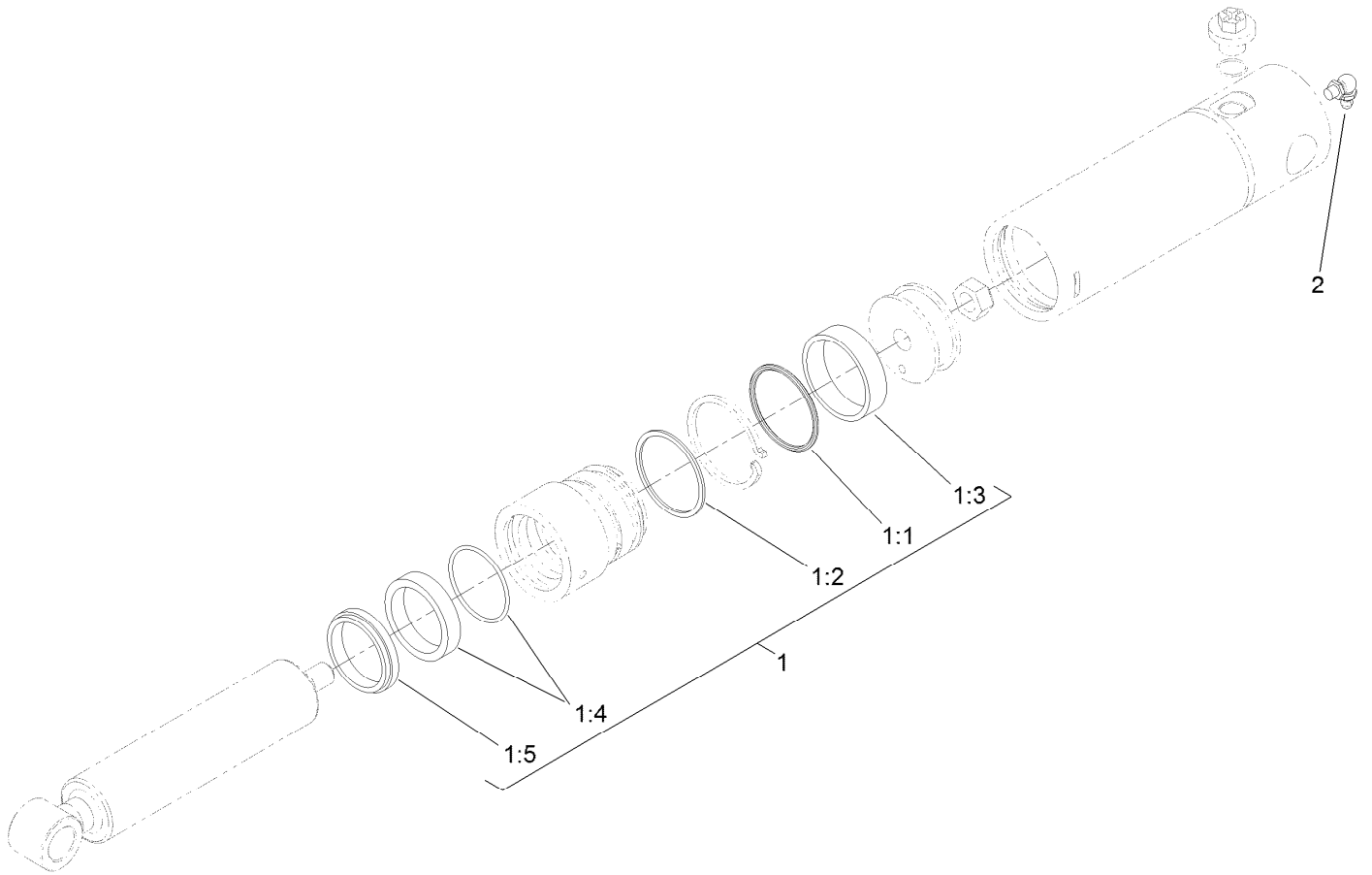
| Ref. | Part Number | Qty. | Description     |
|------|-------------|------|-----------------|
| 36   | 112-6957    | 1    | Washer-Hardened |
| 37   | 3257-3      | 1    | Key-Woodruff    |



## Hydraulic Motor Assembly No. 127-3694

| Ref. | Part Number | Qty. | Description             |
|------|-------------|------|-------------------------|
| 2    | 110-8815    | 1    | Nut-Hex                 |
| 3    | 114-5620    | 1    | Seal Kit                |
| 3:1  |             | 1    | Seal-Shaft ●            |
| 3:2  |             | 1    | Seal-Shaft ●            |
| 3:3  |             | 2    | Seal-Anti Extrusion ●   |
| 3:4  |             | 2    | Seal-Plate, Balancing ● |
| 3:5  |             | 2    | O Ring-Housing ●        |

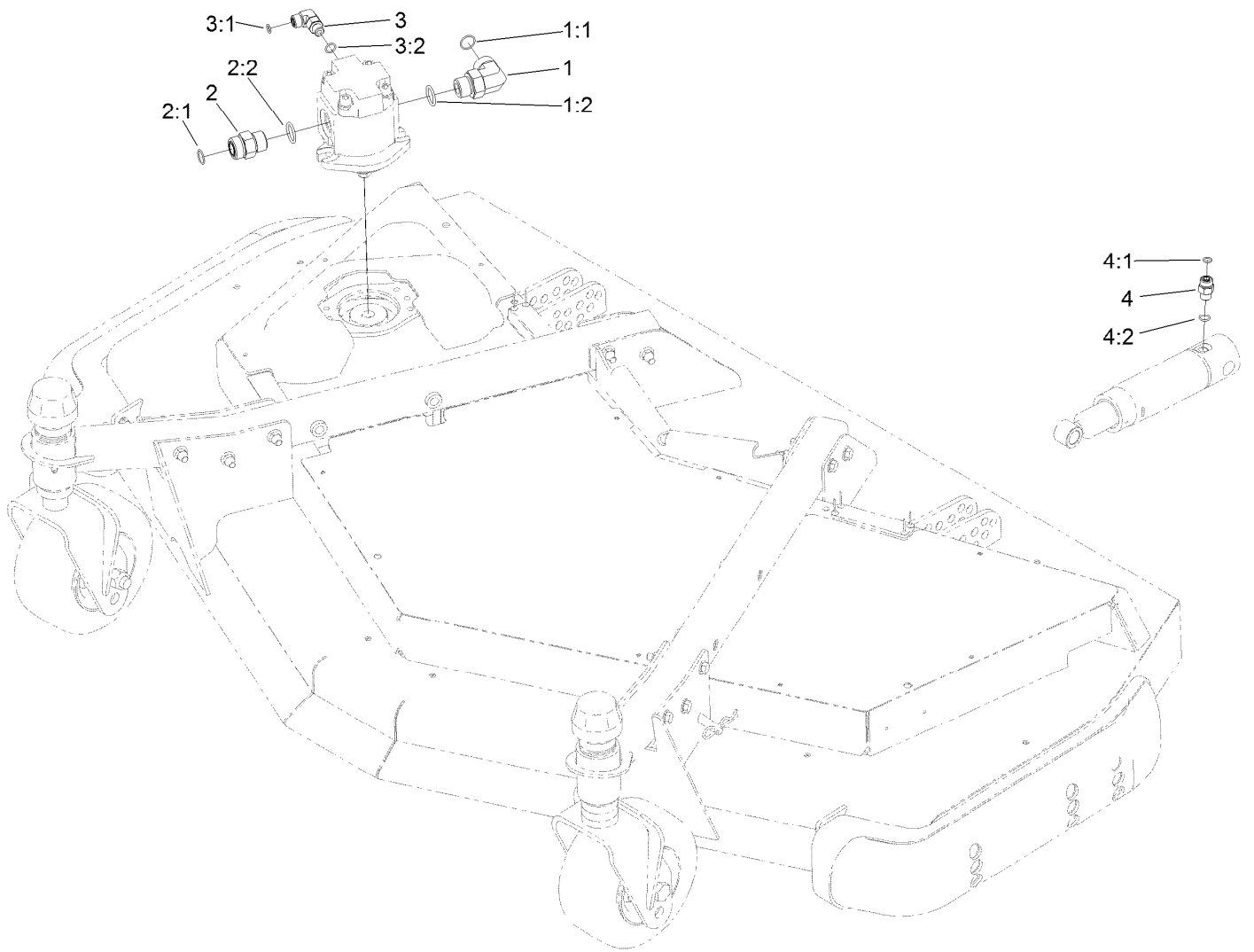
● Not serviced separately



## Lift Cylinder Assembly No. 120-8802

| <i>Ref.</i> | <i>Part Number</i> | <i>Qty.</i> | <i>Description</i> |
|-------------|--------------------|-------------|--------------------|
| 1           | 125-4301           | 1           | Seal Kit           |
| 1:1         |                    | 1           | O-Ring ●           |
| 1:2         |                    | 1           | Backup ●           |
| 1:3         |                    | 1           | Wear Ring ●        |
| 1:4         |                    | 1           | Bds Seal ●         |
| 1:5         |                    | 1           | Dust Seal ●        |
| 2           | 302-60             | 1           | Fitting-Grease     |

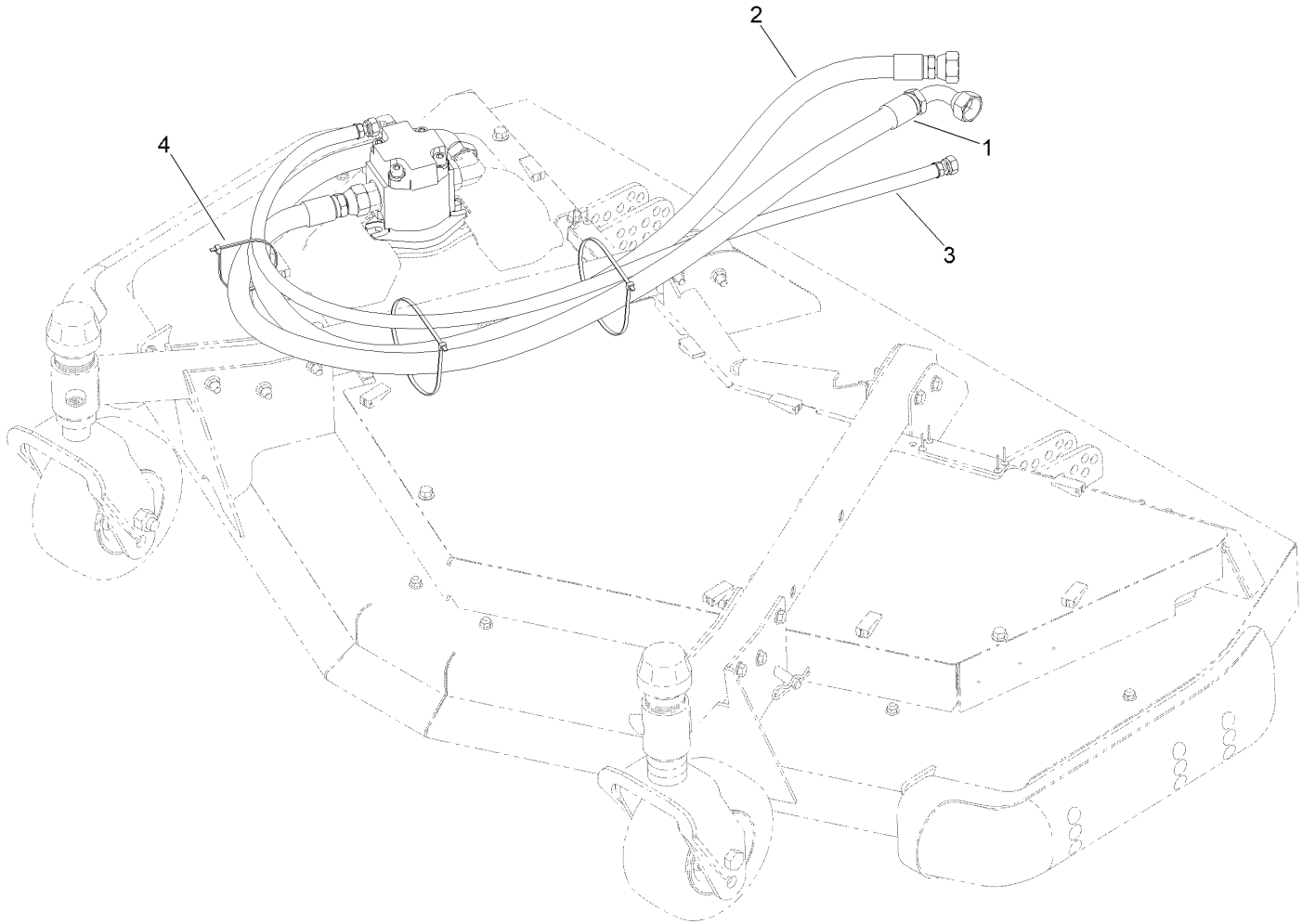
● Not serviced separately



## Front Deck Hydraulic Fitting Assembly

| Ref. | Part Number | Qty. | Description           |
|------|-------------|------|-----------------------|
| 1    | 340-142     | 1    | Fitting-Elbow, 90 DEG |
| 1:1  | 237-58      | 1    | O-Ring                |
| 1:2  | 237-81      | 1    | O-Ring                |
| 2    | 340-9       | 1    | Fitting-STR           |
| 2:1  | 237-58      | 1    | O-Ring                |
| 2:2  | 237-81      | 1    | O-Ring                |
| 3    | 340-77      | 1    | Fitting-Elbow, 90 DEG |
| 3:1  | 237-22      | 1    | O-Ring                |
| 3:2  | 237-42      | 1    | O-Ring                |
| 4    | 340-2       | 2    | Fitting-Straight      |
| 4:1  | 237-22      | 1    | O-Ring                |
| 4:2  | 237-42      | 1    | O-Ring                |

# Front Deck Hose Routing Assembly

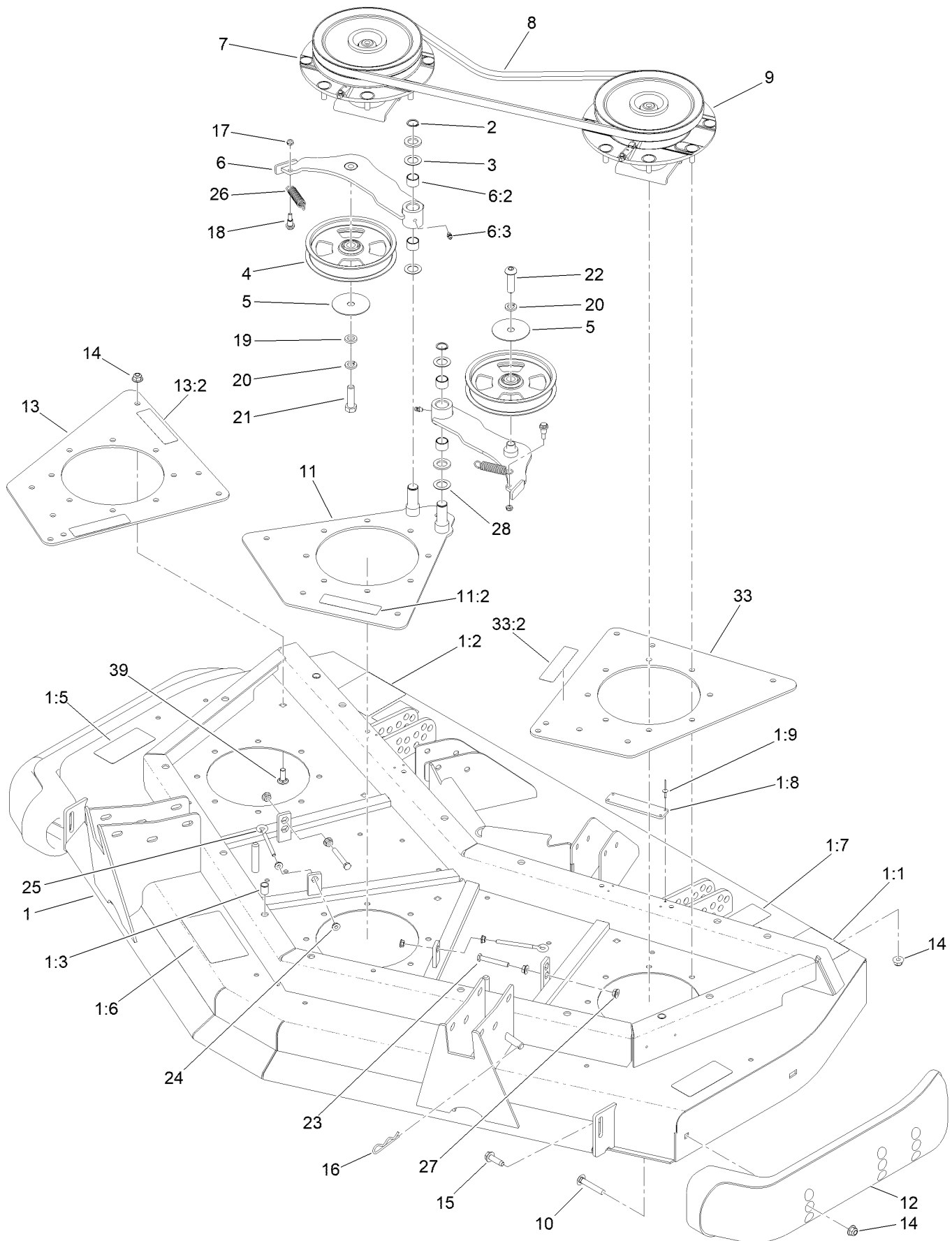




## Front Deck Hose Routing Assembly (continued)

| <i>Ref.</i> | <i>Part Number</i> | <i>Qty.</i> | <i>Description</i> | <i>Ref.</i> | <i>Part Number</i> | <i>Qty.</i> | <i>Description</i> |
|-------------|--------------------|-------------|--------------------|-------------|--------------------|-------------|--------------------|
| 1           | 120-8987           | 1           | Hose-HYD           | 3           | 120-8989           | 1           | Hose-HYD           |
| 2           | 120-8988           | 1           | Hose-HYD           | 4           | 3290-379           | 3           | Tie-Cable          |

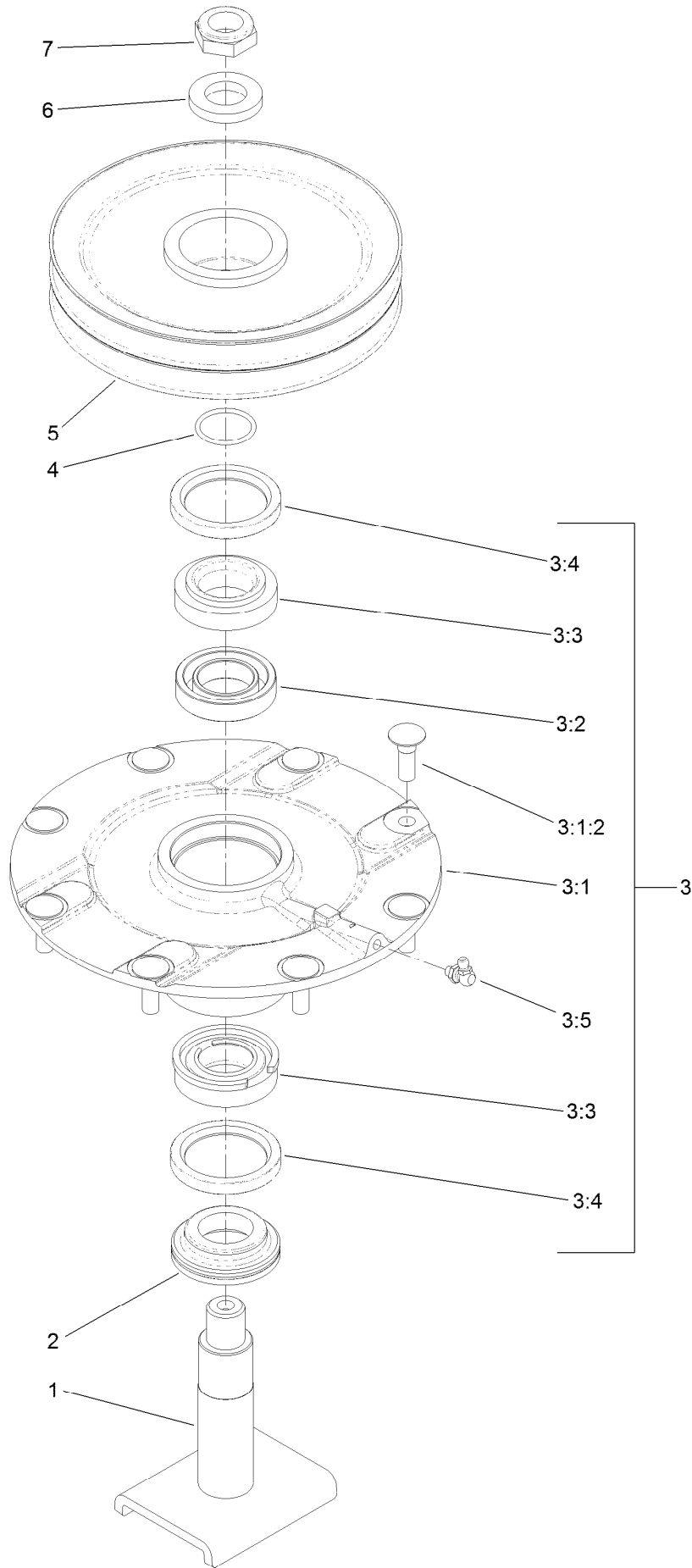
# Front Deck Idler and Skid Assembly



## Front Deck Idler and Skid Assembly (continued)

| <i>Ref.</i> | <i>Part Number</i> | <i>Qty.</i> | <i>Description</i>          | <i>Ref.</i> | <i>Part Number</i> | <i>Qty.</i> | <i>Description</i>         |
|-------------|--------------------|-------------|-----------------------------|-------------|--------------------|-------------|----------------------------|
| 1           | 131-1234           | 1           | Front Deck ASM              | 12          | 112-1479           | 2           | Skid-Bumper, Deck          |
| 1:1         | 120-6604           | 2           | Decal-Danger                | 13          | 131-1238           | 1           | Plate-Spindle, Front Right |
| 1:2         | 100-5624           | 1           | Decal-HOC, RH               | 13:2        | 100-6578           | 2           | Decal-Danger               |
| 1:3         | 32148-9            | 3           | Nut-Clinch                  | 14          | 104-8301           | 36          | Nut-HF, NI                 |
| 1:5         | 93-7818            | 2           | Decal-Torque, Blade Bolt    | 15          | 9136144            | 2           | Screw-HWHTF                |
| 1:6         | 100-5622           | 1           | Decal-HOC                   | 16          | 3290-355           | 1           | Pin-Hair                   |
| 1:7         | 104-3578           | 1           | Decal-HOC, LH               | 17          | 3296-56            | 2           | Nut-Lock, NI               |
| 1:8         | 105-0786           | 2           | Pad-Plastic                 | 18          | 104-0858           | 2           | Bolt-Shoulder              |
| 1:9         | 3269-8             | 8           | Rivet-Blind                 | 19          | 9202424            | 1           | Spacer                     |
| 2           | 32120-72           | 2           | Ring-Snap                   | 20          | 3253-7             | 2           | Washer-Lock                |
| 3           | 3-6498             | 4           | Washer-Thrust               | 21          | 325-7              | 1           | Screw-HH                   |
| 4           | 132-9421           | 2           | Pulley-Idler, Flat          | 22          | 108-1993           | 1           | Screw-HSBH                 |
| 5           | 100-3102           | 2           | Washer-Flat                 | 23          | 9114524            | 2           | Bolt-TAP, HH               |
| 6           | 110-6128           | 2           | Idler Arm ASM               | 24          | 32128-14           | 4           | Nut-HF                     |
| 6:2         | 256-76             | 2           | Bushing                     | 25          | 68-0090            | 2           | Screw-Adjusting            |
| 6:3         | 302-5              | 1           | Fitting-Grease              | 26          | 107938             | 2           | Spring-Extension           |
| 7           | 119-4548           | 1           | Double Driven Spindle ASM   | 27          | 32128-26           | 4           | Nut-HF                     |
| 8           | 108-8076           | 2           | V-Belt, Deck                | 28          | 70-1160            | 2           | Washer                     |
| 9           | 119-4549           | 1           | High-Driven Spindle ASM     | 33          | 131-1239           | 1           | Plate-Spindle, Front Left  |
| 10          | 3231-33            | 4           | Screw-CARR                  | 33:2        | 100-6578           | 1           | Decal-Danger               |
| 11          | 131-1237           | 1           | Plate-Spindle, Front Center | 39          | 3231-22            | 12          | Screw-CARR                 |
| 11:2        | 100-6578           | 1           | Decal-Danger                |             |                    |             |                            |

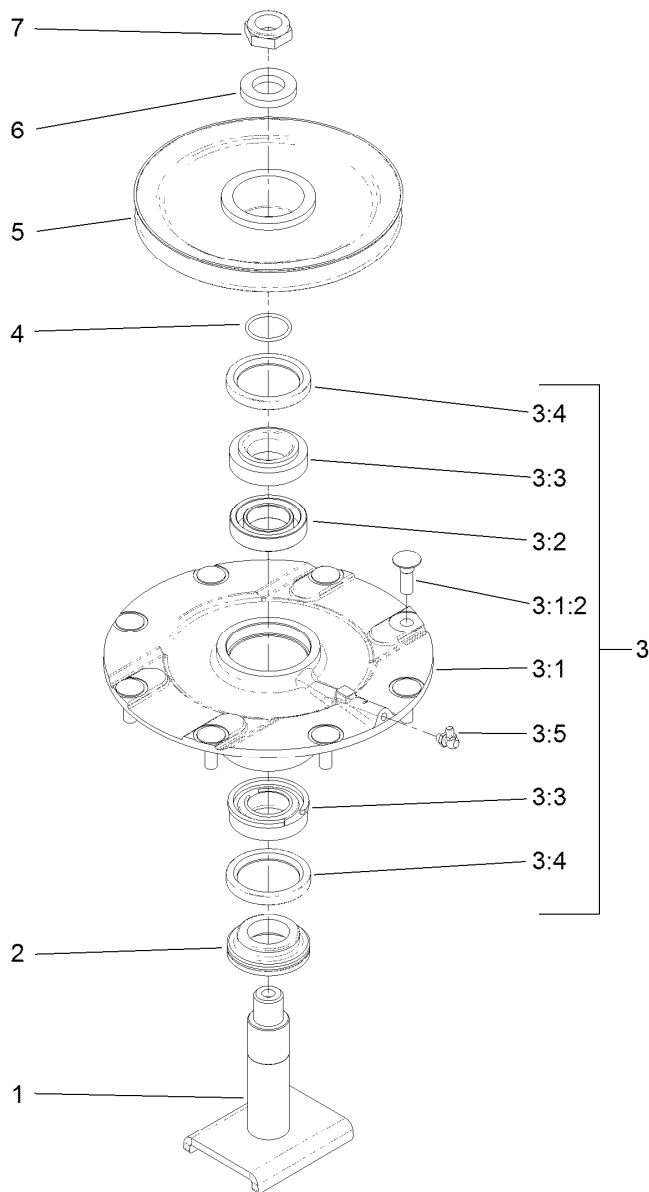
# Double Driven Spindle Assembly No. 119-4548



## Double Driven Spindle Assembly No. 119-4548 (continued)

| <i>Ref.</i> | <i>Part Number</i> | <i>Qty.</i> | <i>Description</i>    | <i>Ref.</i> | <i>Part Number</i> | <i>Qty.</i> | <i>Description</i>    |
|-------------|--------------------|-------------|-----------------------|-------------|--------------------|-------------|-----------------------|
| 1           | 104-3554           | 1           | Shaft-Spindle         | 3:4         | 253-154            | 2           | Seal-Oil              |
| 2           | 69-6950            | 1           | Spacer-Shaft, Spindle | 3:5         | 302-60             | 1           | Fitting-Grease        |
| 3           | 119-4775           | 1           | Spindle Housing ASM   | 4           | 106-7159           | 1           | O-Ring                |
| 3:1         |                    | 1           | Spindle ASM ●         | 5           | 104-3547           | 1           | Pulley-Driven, Double |
| 3:1:2       | 114-8195           | 8           | Bolt-Neck, Ribbed     | 6           | 120-5576           | 1           | Washer-Hardened       |
| 3:2         | 120-5577           | 1           | Bearing Spacer Set    | 7           | 3296-60            | 1           | Nut-Lock, NI          |
| 3:3         | 110-8297           | 1           | Bearing ASM           |             |                    |             |                       |

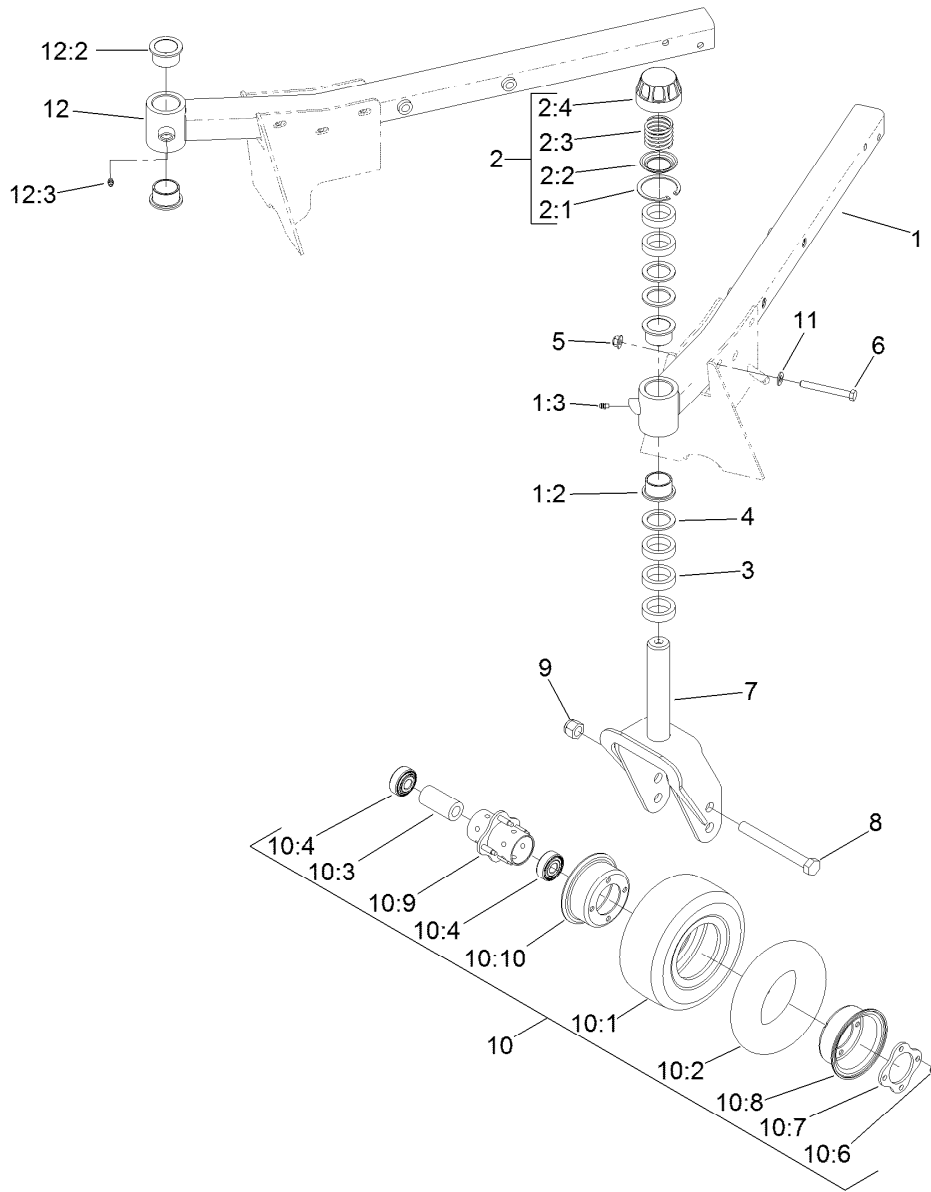
● Not serviced separately



## High Driven Spindle Assembly No. 119-4549

| Ref.  | Part Number | Qty. | Description           |
|-------|-------------|------|-----------------------|
| 1     | 104-3554    | 1    | Shaft-Spindle         |
| 2     | 69-6950     | 1    | Spacer-Shaft, Spindle |
| 3     | 119-4775    | 1    | Spindle Housing ASM   |
| 3:1   |             | 1    | Spindle ASM ●         |
| 3:1:2 | 114-8195    | 8    | Bolt-Neck, Ribbed     |
| 3:2   | 120-5577    | 1    | Bearing Spacer Set    |
| 3:3   | 110-8297    | 1    | Bearing ASM           |
| 3:4   | 253-154     | 2    | Seal-Oil              |
| 3:5   | 302-60      | 1    | Fitting-Grease        |
| 4     | 106-7159    | 1    | O-Ring                |
| 5     | 104-3548    | 1    | Pulley-Driven, High   |
| 6     | 120-5576    | 1    | Washer-Hardened       |
| 7     | 3296-60     | 1    | Nut-Lock, NI          |

● Not serviced separately

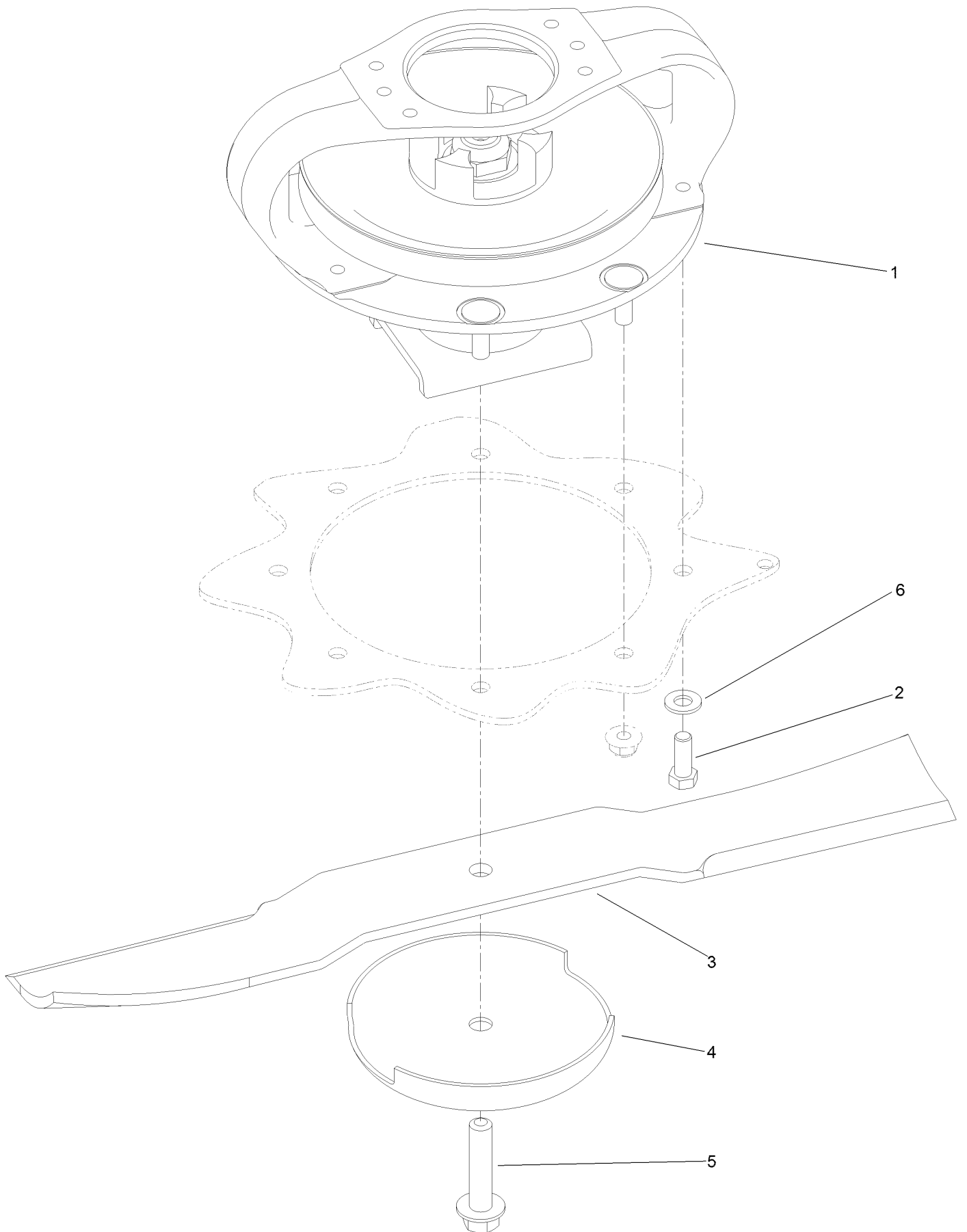


## Front Deck Caster Arm and Wheel Assembly

| Ref. | Part Number | Qty. | Description                    | Ref.  | Part Number | Qty. | Description           |
|------|-------------|------|--------------------------------|-------|-------------|------|-----------------------|
| 1    | 132-6169    | 1    | LH Caster Arm ASM              | 10    | 93-9938     | 2    | Wheel ASM             |
| 1:2  | 69-6470     | 2    | Bushing-Caster                 | 10:1  | 93-9939     | 1    | Tire                  |
| 1:3  | 302-5       | 1    | Fitting-Grease                 | 10:2  | 68-8950     | 1    | Tube-Inner (W/Valve)  |
| 2    | 92-9727     | 2    | HOC Cap ASM                    | 10:3  | 93-4241     | 1    | Spacer-Bearing, Inner |
| 2:1  | 92-5581     | 1    | Ring-Rtng, Snap, Int, Flat     | 10:4  | 120-3366    | 2    | Bearing               |
| 2:2  | 92-5583     | 1    | Washer-Cap                     | 10:6  | 32128-16    | 4    | Nut-HHF               |
| 2:3  | 92-9726     | 1    | Spring-Compression             | 10:7  | 93-4242     | 1    | Plate                 |
| 2:4  | 92-8861     | 1    | Cap-HOC                        | 10:8  | 93-4239     | 1    | Rim-Wheel, Half       |
| 3    | 69-1510     | 10   | Spacer                         | 10:9  | 93-5980     | 1    | Hub                   |
| 4    | 69-6860     | 6    | Washer-Thrust                  | 10:10 | 95-2741     | 1    | Rim-Wheel, Half       |
| 5    | 104-8301    | 10   | Nut-HF, NI                     | 11    | 3256-24     | 10   | Washer-Plain          |
| 6    | 323-20      | 10   | Screw-HH                       | 12    | 132-6176    | 1    | RH Caster Arm ASM     |
| 7    | 130-2736-01 | 2    | Fork-Caster                    | 12:2  | 69-6470     | 2    | Bushing-Caster        |
| 8    | 327-24      | 2    | Screw-HH                       | 12:3  | 302-5       | 1    | Fitting-Grease        |
| 9    | 3296-53     | 2    | Nut-Lock, NI                   |       |             |      |                       |
| 10   | 93-5974     | 2    | 8 Inch Foam Filled Wheel ASM ● |       |             |      |                       |

● Optional Equipment

# Driving Spindle Assembly

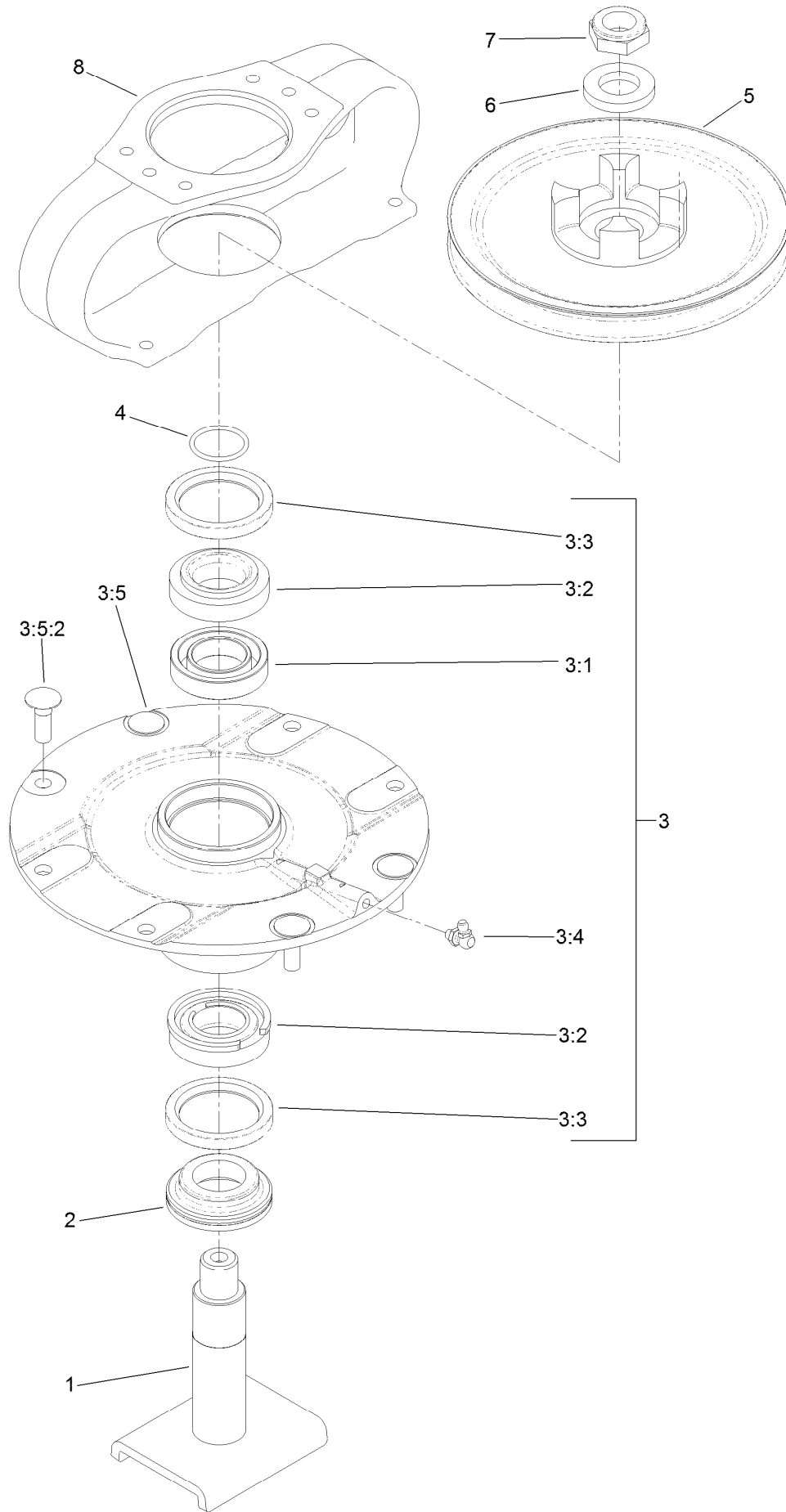




## Driving Spindle Assembly (continued)

| <i>Ref.</i> | <i>Part Number</i> | <i>Qty.</i> | <i>Description</i>  | <i>Ref.</i> | <i>Part Number</i> | <i>Qty.</i> | <i>Description</i> |
|-------------|--------------------|-------------|---------------------|-------------|--------------------|-------------|--------------------|
| 1           | 119-4547           | 1           | Driving Spindle ASM | 4           | 72-9361            | 3           | Cup-Scalp, Anti    |
| 2           | 323-6              | 4           | Screw-HH            | 5           | 92-5816            | 3           | Bolt-Blade         |
| 3           | 92-5608-03         | 3           | Blade               | 6           | 3256-24            | 4           | Washer-Plain       |

# Driven Spindle Assembly No. 119-4547

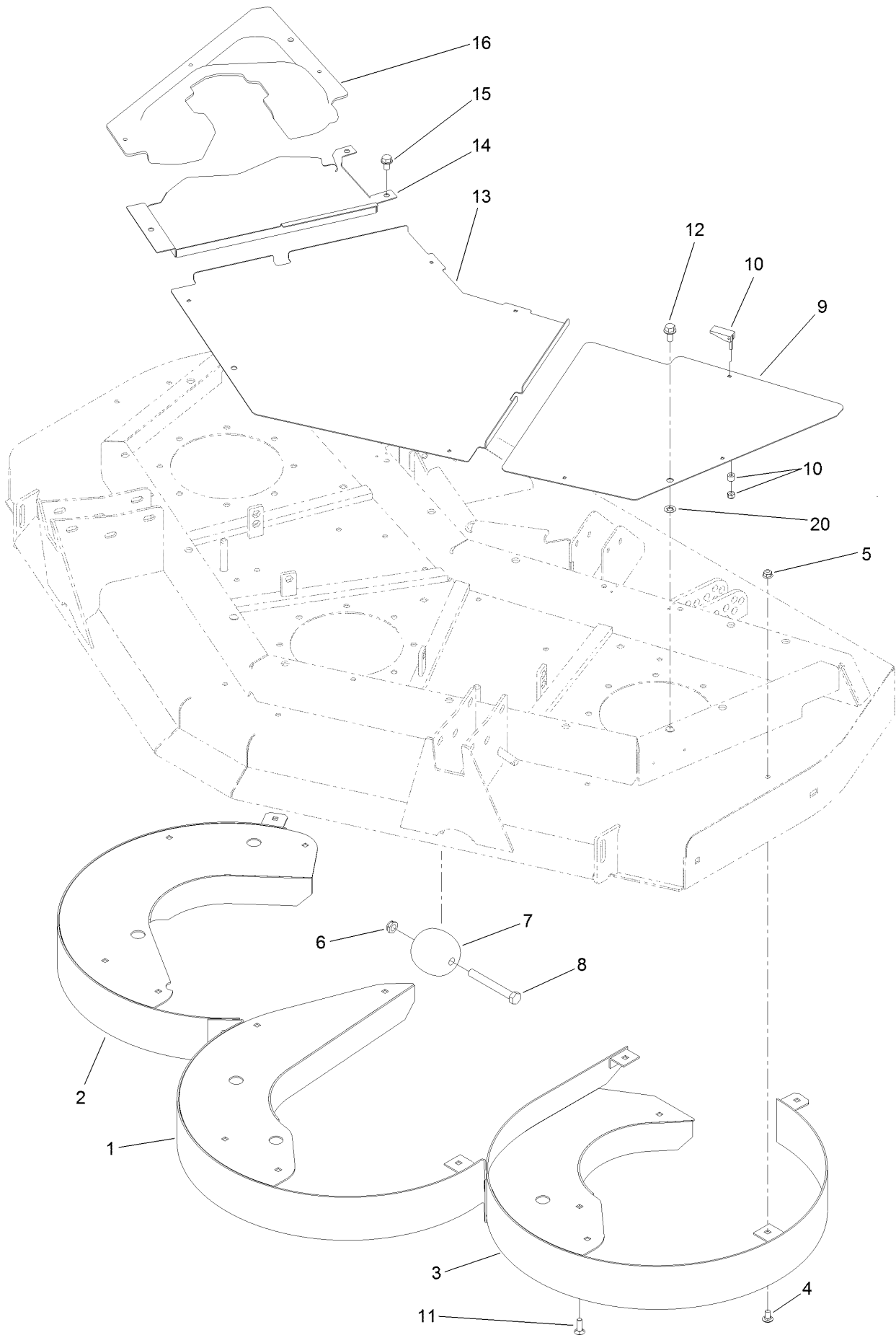


## Driven Spindle Assembly No. 119-4547 (continued)

| <i>Ref.</i> | <i>Part Number</i> | <i>Qty.</i> | <i>Description</i>    | <i>Ref.</i> | <i>Part Number</i> | <i>Qty.</i> | <i>Description</i> |
|-------------|--------------------|-------------|-----------------------|-------------|--------------------|-------------|--------------------|
| 1           | 104-3554           | 1           | Shaft-Spindle         | 3:5         |                    | 1           | Spindle ASM ●      |
| 2           | 69-6950            | 1           | Spacer-Shaft, Spindle | 3:5:2       | 114-8195           | 4           | Bolt-Neck, Ribbed  |
| 3           | 119-4546           | 1           | Spindle Housing ASM   | 4           | 106-7159           | 1           | O-Ring             |
| 3:1         | 120-5577           | 1           | Bearing Spacer Set    | 5           | 104-3545           | 1           | Pulley-Driving     |
| 3:2         | 110-8297           | 1           | Bearing ASM           | 6           | 120-5576           | 1           | Washer-Hardened    |
| 3:3         | 253-154            | 2           | Seal-Oil              | 7           | 3296-60            | 1           | Nut-Lock, NI       |
| 3:4         | 302-60             | 1           | Fitting-Grease        | 8           | 104-3544           | 1           | Mount-Motor, Drive |

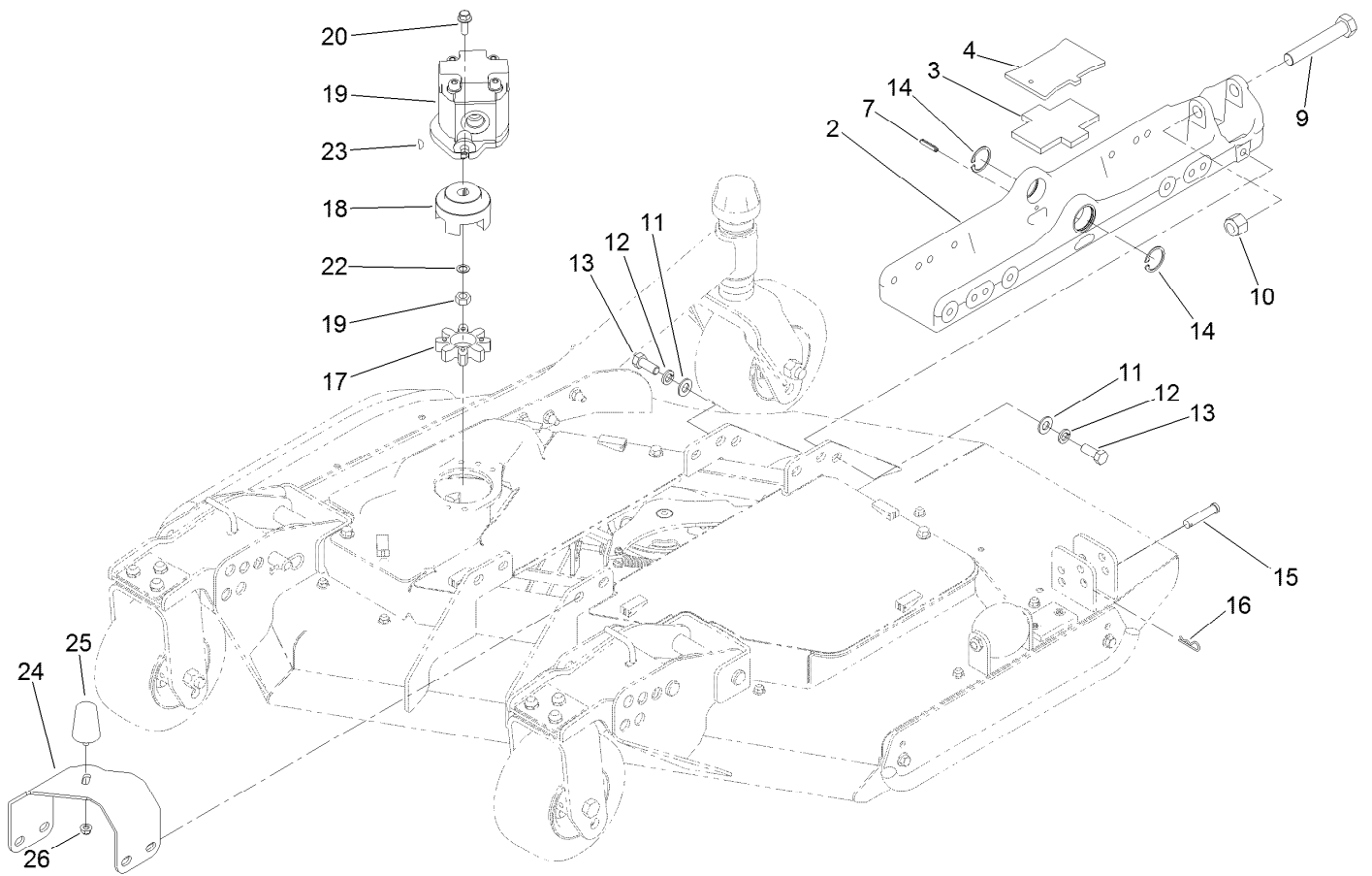
● Not serviced separately

# Cutting Chamber, Cover and Roller Assembly



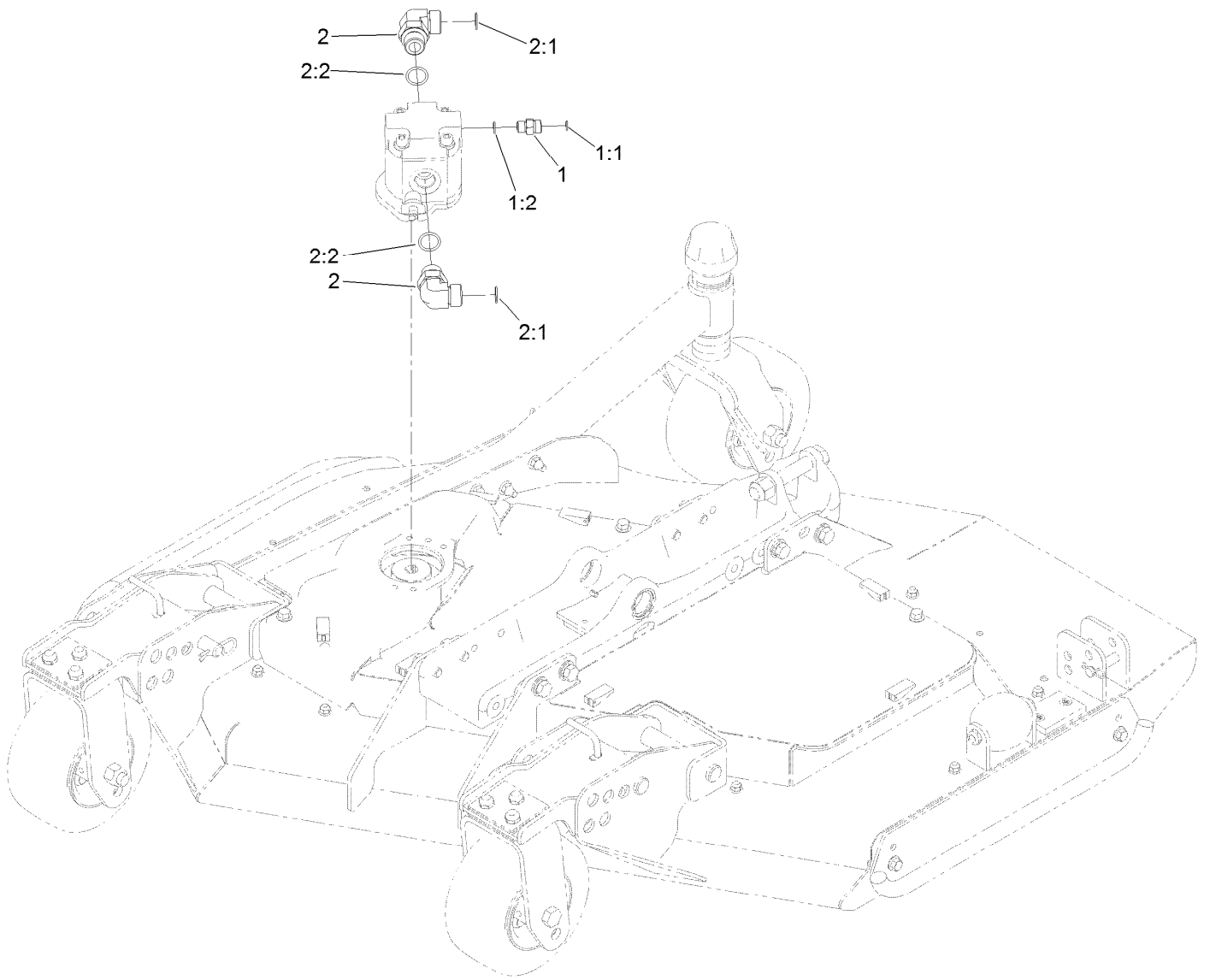
## Cutting Chamber, Cover and Roller Assembly (continued)

| <i>Ref.</i> | <i>Part Number</i> | <i>Qty.</i> | <i>Description</i> | <i>Ref.</i> | <i>Part Number</i> | <i>Qty.</i> | <i>Description</i>  |
|-------------|--------------------|-------------|--------------------|-------------|--------------------|-------------|---------------------|
| 1           | 130-2650-01        | 1           | Chamber-Center     | 10          | 74-5950            | 10          | Latch-Swell         |
| 2           | 130-2674-01        | 1           | Chamber-RH         | 11          | 3230-22            | 3           | Screw-CARR          |
| 3           | 130-2675-01        | 1           | Chamber-LH         | 12          | 3234-1             | 3           | Screw-HHF           |
| 4           | 3230-18            | 15          | Screw-CARR         | 13          | 100-5660-03        | 1           | Cover-Front, Center |
| 5           | 104-8300           | 18          | Nut-HF, NI         | 14          | 100-5662-03        | 1           | Cover-Front, RH     |
| 6           | 3296-45            | 2           | Nut-Hex            | 15          | 32144-69           | 3           | Screw-HWHTF         |
| 7           | 29-4820            | 2           | Roller             | 16          | 100-5661           | 1           | Cover-Front, Center |
| 8           | 325-17             | 2           | Screw-HH           | 20          | 107-3154           | 3           | Nut-Push            |
| 9           | 100-5663-03        | 1           | Cover-Front, LH    |             |                    |             |                     |



## Right Deck Mount Assembly

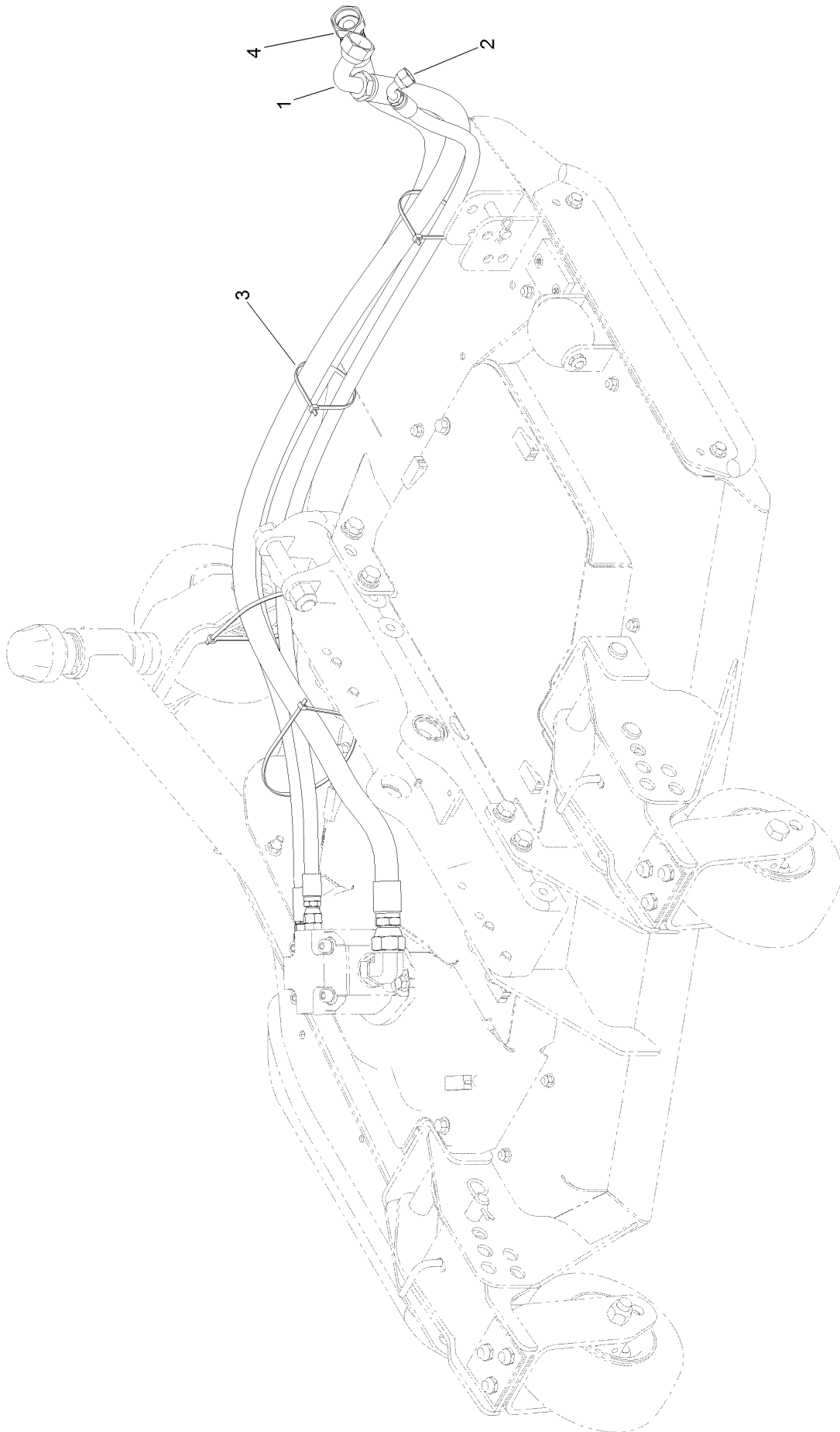
| <i>Ref.</i> | <i>Part Number</i> | <i>Qty.</i> | <i>Description</i> | <i>Ref.</i> | <i>Part Number</i> | <i>Qty.</i> | <i>Description</i> |
|-------------|--------------------|-------------|--------------------|-------------|--------------------|-------------|--------------------|
| 2           | 136-0033-03        | 1           | Mount-Deck         | 16          | 3290-467           | 1           | Pin-Hair           |
| 3           | 104-8348           | 1           | Plate-Rubber       | 17          | 104-3542           | 1           | Spider             |
| 4           | 136-0041-03        | 1           | Plate              | 18          | 104-3541           | 1           | Hub-Spider         |
| 7           | 32121-69           | 1           | Pin-Roll           | 19          | 127-3694           | 1           | HYD Motor ASM      |
| 9           | 328-8              | 1           | Screw-HH           | 20          | 3234-42            | 2           | Screw-HHF          |
| 10          | 3296-51            | 1           | Nut-Lock, NI       | 22          | 112-6957           | 1           | Washer-Hardened    |
| 11          | 3256-26            | 8           | Washer-Flat        | 23          | 3257-3             | 1           | Key-Woodruff       |
| 12          | 3253-7             | 8           | Washer-Lock        | 24          | 130-5966-03        | 1           | Bracket-Bumper, RH |
| 13          | 325-5              | 8           | Screw-HH           | 25          | 110-5070           | 1           | Bumper             |
| 14          | 32120-42           | 2           | Ring-Retaining     | 26          | 104-8300           | 1           | Nut-HF, NI         |
| 15          | 92-2739            | 1           | Pin-Clevis         |             |                    |             |                    |



## Right Deck Hydraulic Fitting Assembly

| <i>Ref.</i> | <i>Part Number</i> | <i>Qty.</i> | <i>Description</i>    |
|-------------|--------------------|-------------|-----------------------|
| 1           | 340-2              | 1           | Fitting-Straight      |
| 1:1         | 237-22             | 1           | O-Ring                |
| 1:2         | 237-42             | 1           | O-Ring                |
| 2           | 340-142            | 2           | Fitting-Elbow, 90 DEG |
| 2:1         | 237-58             | 1           | O-Ring                |
| 2:2         | 237-81             | 1           | O-Ring                |

# Right Deck Hose Assembly

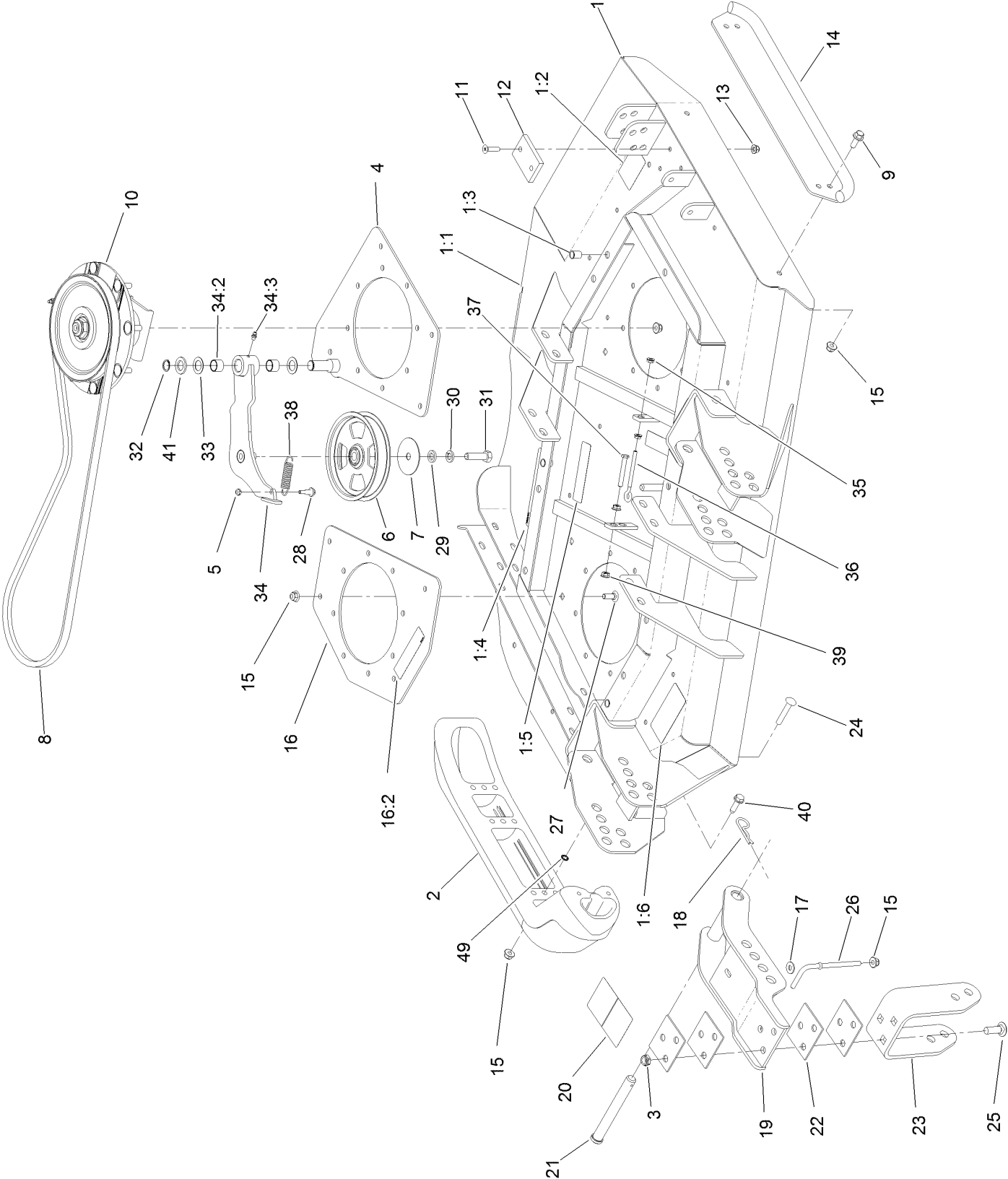




## Right Deck Hose Assembly (continued)

| <i>Ref.</i> | <i>Part Number</i> | <i>Qty.</i> | <i>Description</i> | <i>Ref.</i> | <i>Part Number</i> | <i>Qty.</i> | <i>Description</i> |
|-------------|--------------------|-------------|--------------------|-------------|--------------------|-------------|--------------------|
| 1           | 120-8959           | 1           | Hose-HYD           | 3           | 3290-379           | 4           | Tie-Cable          |
| 2           | 104-2265           | 1           | Hose-HYD           | 4           | 132-6116           | 1           | Hose-HYD           |

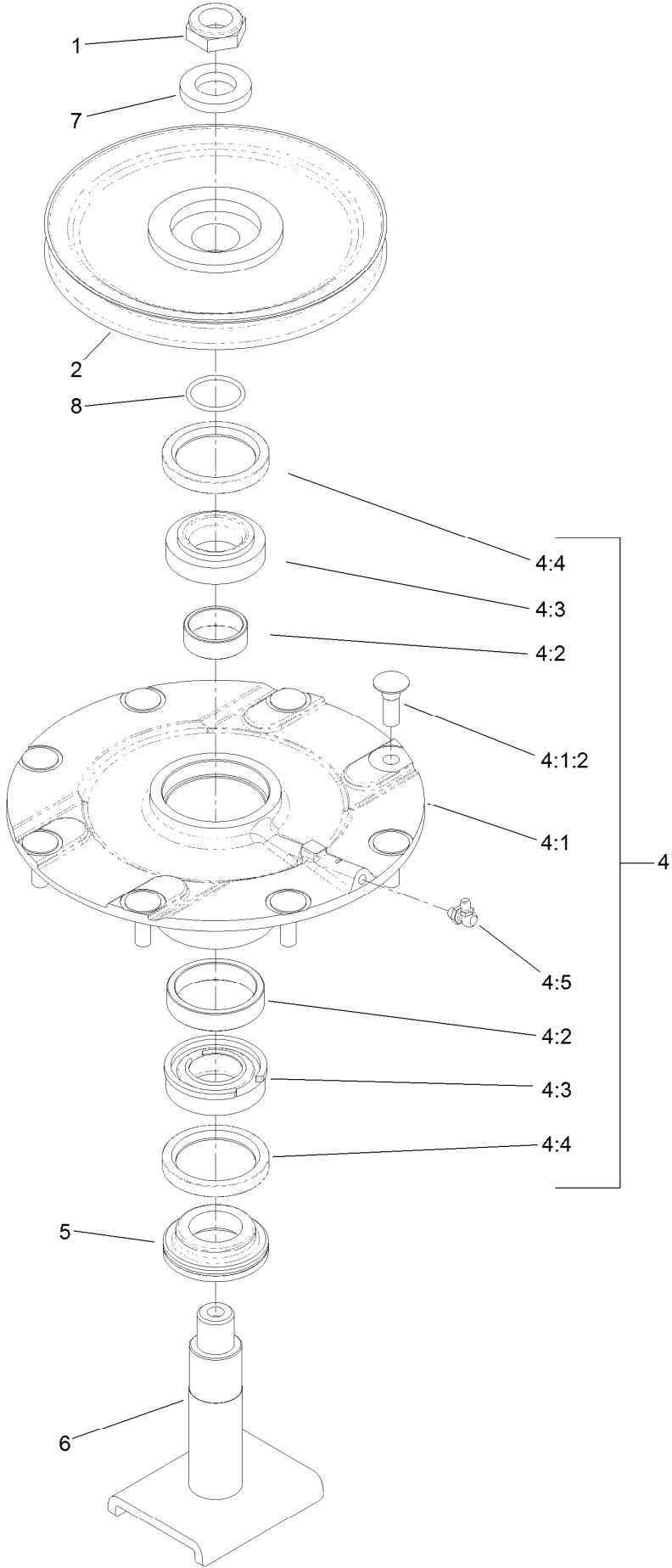
# Right Deck, Idler and Skid Assembly



## Right Deck, Idler and Skid Assembly (continued)

| <i>Ref.</i> | <i>Part Number</i> | <i>Qty.</i> | <i>Description</i>       | <i>Ref.</i> | <i>Part Number</i> | <i>Qty.</i> | <i>Description</i> |
|-------------|--------------------|-------------|--------------------------|-------------|--------------------|-------------|--------------------|
| 1           | 131-1235           | 1           | Right Deck ASM           | 20          | 100-5623           | 1           | Decal-HOC          |
| 1:1         | 120-6604           | 1           | Decal-Danger             | 21          | 120-5587           | 4           | Pin-Clevis         |
| 1:2         | 100-5694           | 1           | Decal-Rear HOC, RH       | 22          | 104-7524           | 8           | Shim               |
| 1:3         | 32148-9            | 3           | Nut-Clinch               | 23          | 132-6157-01        | 2           | Bracket-Fork       |
| 1:4         | 100-5622           | 1           | Decal-HOC                | 24          | 3231-33            | 2           | Screw-CARR         |
| 1:5         | 100-6578           | 2           | Decal-Danger             | 25          | 3233-2             | 6           | Screw-CARR         |
| 1:6         | 93-7818            | 1           | Decal-Torque, Blade Bolt | 26          | 106-2047           | 2           | Rod-Tension        |
| 2           | 112-1479           | 1           | Skid-Bumper, Deck        | 27          | 3231-22            | 8           | Screw-CARR         |
| 3           | 3296-45            | 6           | Nut-Hex                  | 28          | 104-0858           | 1           | Bolt-Shoulder      |
| 4           | 131-1231-01        | 1           | Plate-Stiffener          | 29          | 9202424            | 1           | Spacer             |
| 5           | 3296-56            | 1           | Nut-Lock, NI             | 30          | 3253-7             | 1           | Washer-Lock        |
| 6           | 132-9421           | 1           | Pulley-Idler, Flat       | 31          | 325-7              | 1           | Screw-HH           |
| 7           | 100-3102           | 1           | Washer-Flat              | 32          | 32120-72           | 1           | Ring-Snap          |
| 8           | 108-8076           | 1           | V-Belt, Deck             | 33          | 3-6498             | 2           | Washer-Thrust      |
| 9           | 3234-42            | 2           | Screw-HHF                | 34          | 110-6128           | 1           | Idler Arm ASM      |
| 10          | 119-4776           | 1           | Low-Driven Spindle ASM   | 34:2        | 256-76             | 2           | Bushing            |
| 11          | 32108-103          | 2           | Screw-FH                 | 34:3        | 302-5              | 1           | Fitting-Grease     |
| 12          | 69-9290            | 1           | Pad-Bumper               | 35          | 32128-14           | 2           | Nut-HF             |
| 13          | 104-8300           | 2           | Nut-HF, NI               | 36          | 68-0090            | 1           | Screw-Adjusting    |
| 14          | 104-2250-01        | 1           | Skid-Side                | 37          | 9114524            | 1           | Bolt-TAP, HH       |
| 15          | 104-8301           | 26          | Nut-HF, NI               | 38          | 107938             | 1           | Spring-Extension   |
| 16          | 131-1243           | 1           | Plate-Spindle            | 39          | 32128-26           | 2           | Nut-HF             |
| 16:2        | 100-6578           | 1           | Decal-Danger             | 40          | 9136144            | 1           | Screw-HWHTF        |
| 17          | 3256-3             | 2           | Washer-Flat              | 41          | 70-1160            | 1           | Washer             |
| 18          | 3290-343           | 4           | Pin-Hair                 | 49          | 32151-72           | 2           | Ring-Retaining     |
| 19          | 132-6150-01        | 2           | Bracket-Caster           |             |                    |             |                    |

# Low Driven Spindle Assembly No. 119-4776

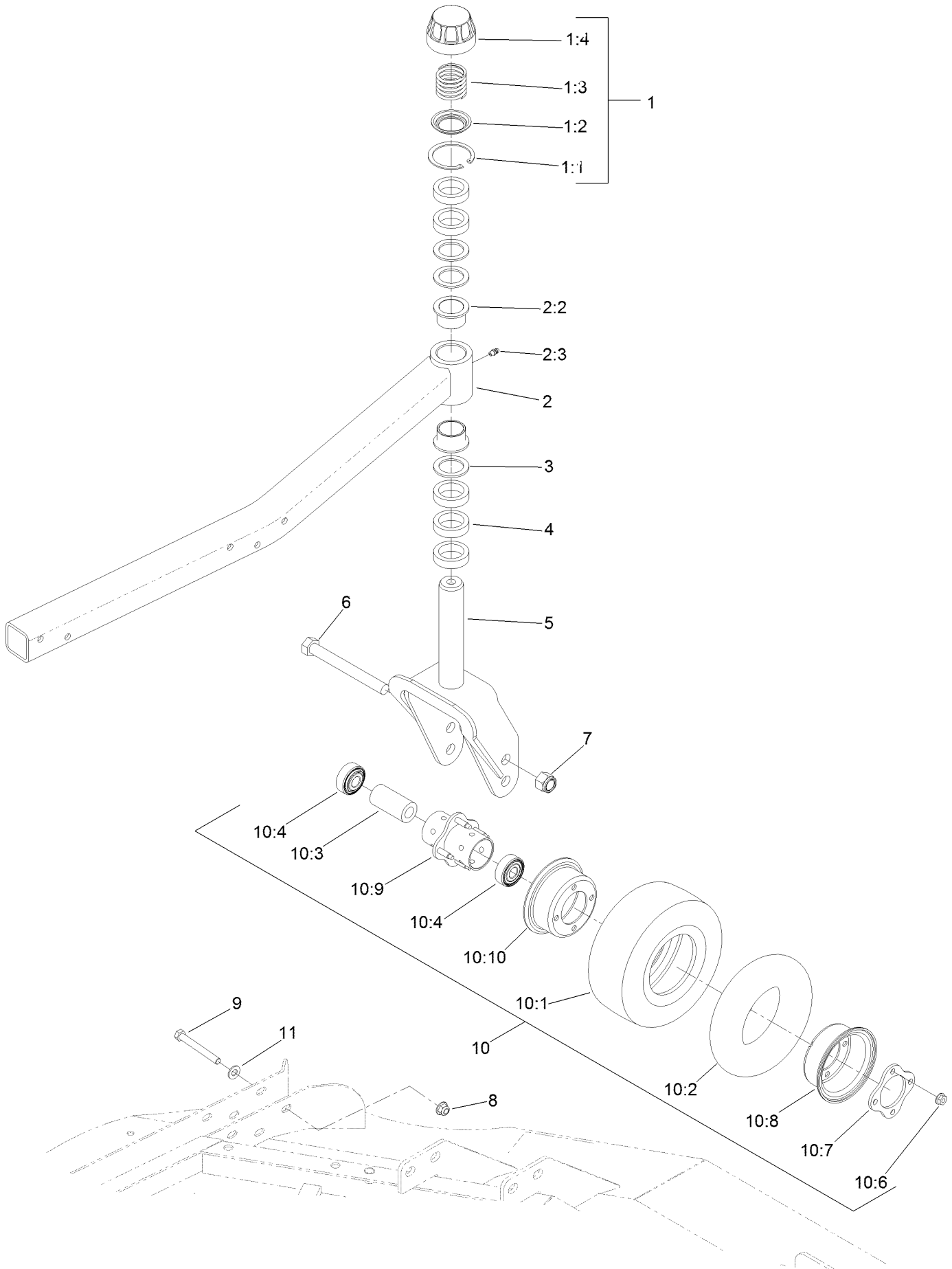


# Low Driven Spindle Assembly No. 119-4776 (continued)

| <i>Ref.</i> | <i>Part Number</i> | <i>Qty.</i> | <i>Description</i>  | <i>Ref.</i> | <i>Part Number</i> | <i>Qty.</i> | <i>Description</i>    |
|-------------|--------------------|-------------|---------------------|-------------|--------------------|-------------|-----------------------|
| 1           | 3296-60            | 1           | Nut-Lock, NI        | 4:4         | 253-154            | 2           | Seal-Oil              |
| 2           | 104-3546           | 1           | Pulley-Driven, Low  | 4:5         | 302-60             | 1           | Fitting-Grease        |
| 4           | 119-4775           | 1           | Spindle Housing ASM | 5           | 69-6950            | 1           | Spacer-Shaft, Spindle |
| 4:1         |                    | 1           | Spindle ASM ●       | 6           | 104-3554           | 1           | Shaft-Spindle         |
| 4:1:2       | 114-8195           | 8           | Bolt-Neck, Ribbed   | 7           | 120-5576           | 1           | Washer-Hardened       |
| 4:2         | 120-5577           | 1           | Bearing Spacer Set  | 8           | 106-7159           | 1           | O-Ring                |
| 4:3         | 110-8297           | 1           | Bearing ASM         |             |                    |             |                       |

● Not serviced separately

# Right Hand and Left Hand Castor Arm and Wheel Assembly

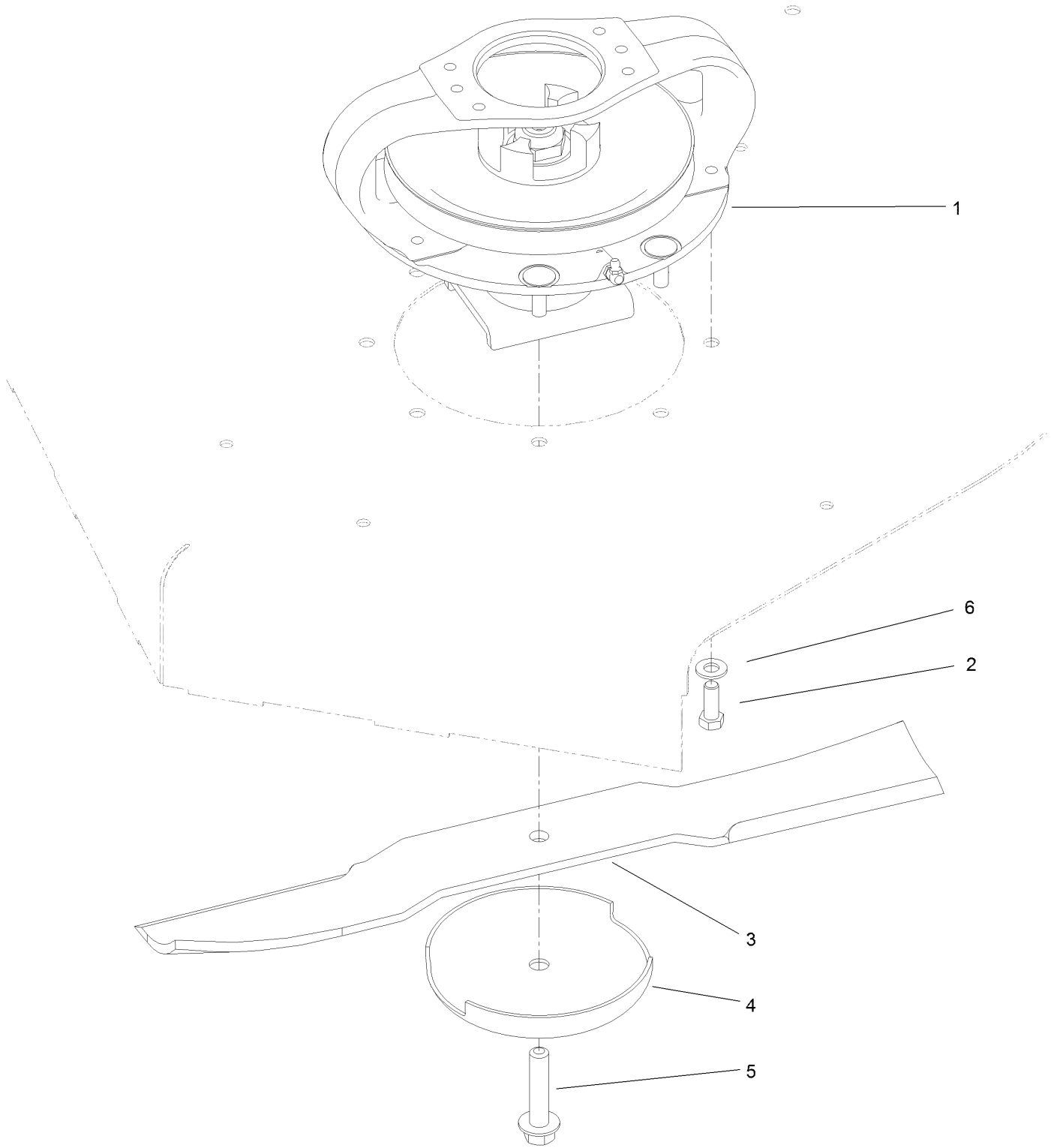


## Right Hand and Left Hand Castor Arm and Wheel Assembly (continued)

| <i>Ref.</i> | <i>Part Number</i> | <i>Qty.</i> | <i>Description</i>         | <i>Ref.</i> | <i>Part Number</i> | <i>Qty.</i> | <i>Description</i>                |
|-------------|--------------------|-------------|----------------------------|-------------|--------------------|-------------|-----------------------------------|
| 1           | 92-9727            | 1           | HOC Cap ASM                | 9           | 323-20             | 5           | Screw-HH                          |
| 1:1         | 92-5581            | 1           | Ring-Rtng, Snap, Int, Flat | 10          | 93-5974            | 3           | 8 Inch Foam Filled Wheel<br>ASM ● |
| 1:2         | 92-5583            | 1           | Washer-Cap                 |             |                    |             |                                   |
| 1:3         | 92-9726            | 1           | Spring-Compression         | 10          | 93-9938            | 3           | Wheel ASM                         |
| 1:4         | 92-8861            | 1           | Cap-HOC                    | 10:1        | 93-9939            | 1           | Tire                              |
| 2           | 132-6167           | 1           | Caster Arm ASM             | 10:2        | 68-8950            | 1           | Tube-Inner (W/Valve)              |
| 2:2         | 69-6470            | 2           | Bushing-Caster             | 10:3        | 93-4241            | 1           | Spacer-Bearing, Inner             |
| 2:3         | 302-5              | 1           | Fitting-Grease             | 10:4        | 120-3366           | 2           | Bearing                           |
| 3           | 69-6860            | 3           | Washer-Thrust              | 10:6        | 32128-16           | 4           | Nut-HHF                           |
| 4           | 69-1510            | 5           | Spacer                     | 10:7        | 93-4242            | 1           | Plate                             |
| 5           | 130-2736-01        | 1           | Fork-Caster                | 10:8        | 93-4239            | 1           | Rim-Wheel, Half                   |
| 6           | 327-24             | 3           | Screw-HH                   | 10:9        | 93-5980            | 1           | Hub                               |
| 7           | 3296-53            | 3           | Nut-Lock, NI               | 10:10       | 95-2741            | 1           | Rim-Wheel, Half                   |
| 8           | 104-8301           | 5           | Nut-HF, NI                 | 11          | 3256-24            | 5           | Washer-Plain                      |

● Optional Equipment

# Deck Driving Spindle Assembly



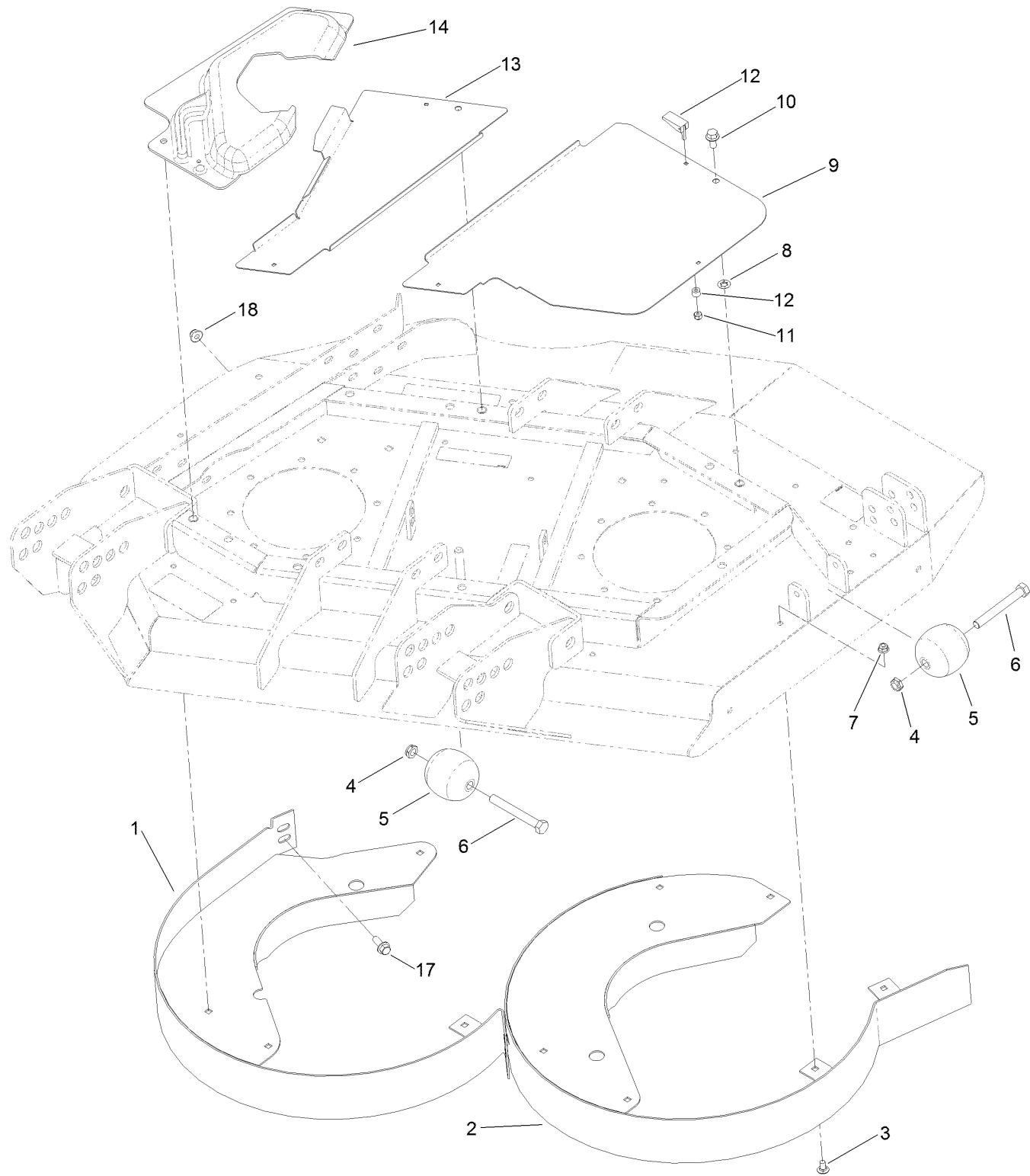


## Deck Driving Spindle Assembly (continued)

| <i>Ref.</i> | <i>Part Number</i> | <i>Qty.</i> | <i>Description</i>  |
|-------------|--------------------|-------------|---------------------|
| 1           | 119-4547           | 1           | Driving Spindle ASM |
| 2           | 323-6              | 4           | Screw-HH            |
| 3           | 92-5608-03         | 2           | Blade               |

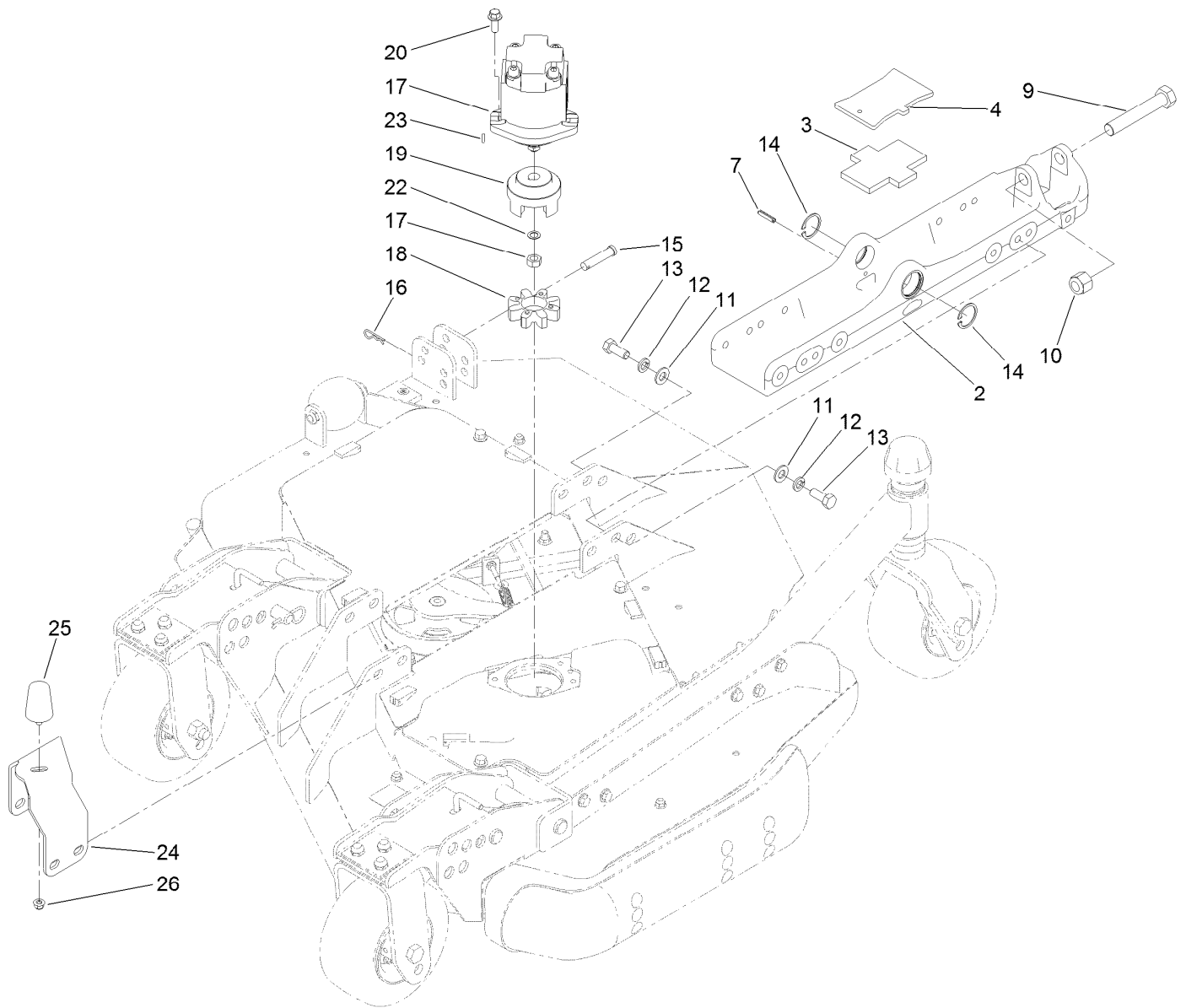
| <i>Ref.</i> | <i>Part Number</i> | <i>Qty.</i> | <i>Description</i> |
|-------------|--------------------|-------------|--------------------|
| 4           | 72-9361            | 2           | Cup-Scalp, Anti    |
| 5           | 92-5816            | 2           | Bolt-Blade         |
| 6           | 3256-24            | 4           | Washer-Plain       |

# Right Deck Discharge Chamber and Cover Assembly



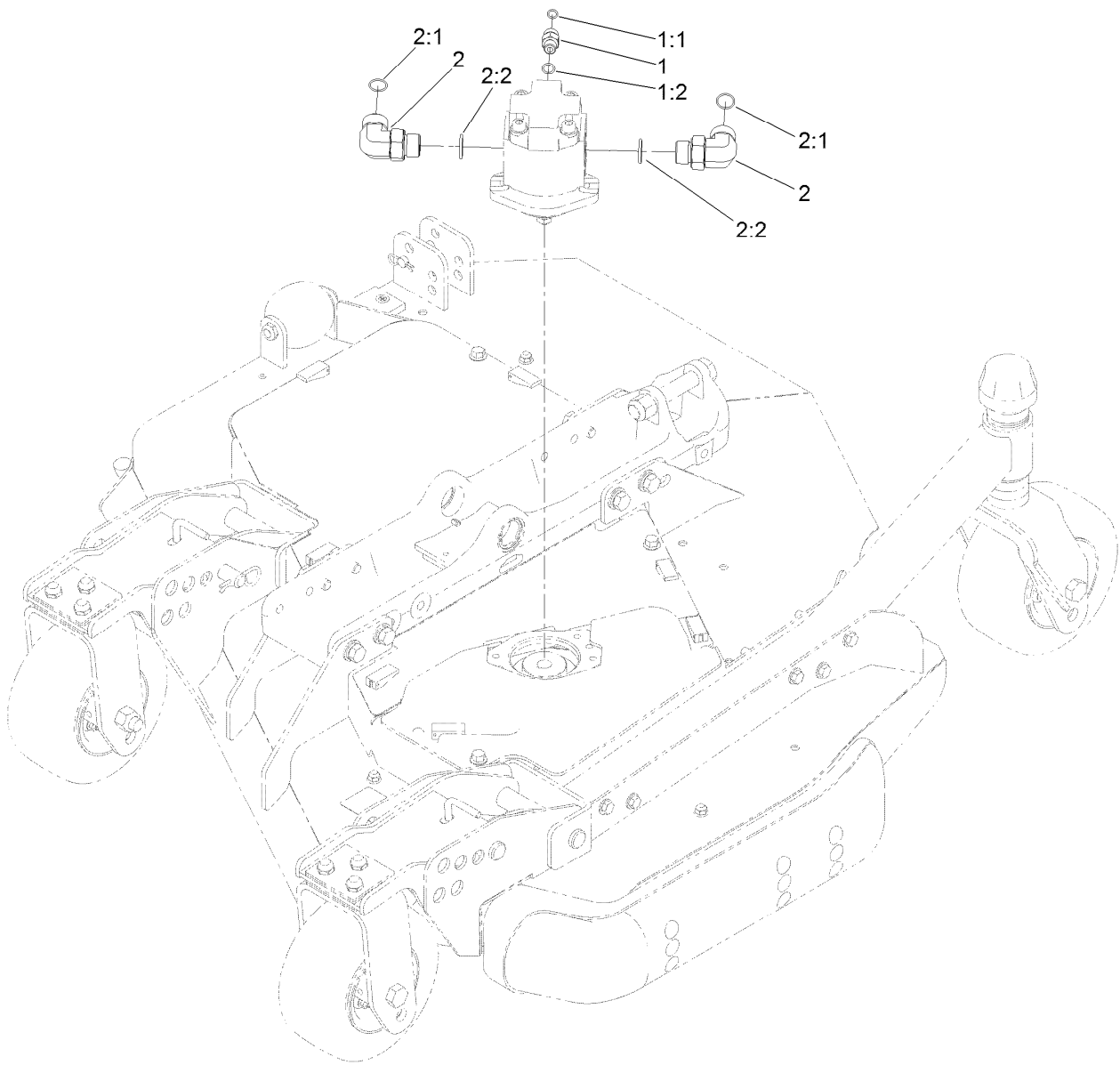
# Right Deck Discharge Chamber and Cover Assembly (continued)

| <i>Ref.</i> | <i>Part Number</i> | <i>Qty.</i> | <i>Description</i> | <i>Ref.</i> | <i>Part Number</i> | <i>Qty.</i> | <i>Description</i>   |
|-------------|--------------------|-------------|--------------------|-------------|--------------------|-------------|----------------------|
| 1           | 130-2680-01        | 1           | Chamber-Outer      | 9           | 100-5668-03        | 1           | Plate-Cover, RH Side |
| 2           | 130-2681-01        | 1           | Chamber-Inner      | 10          | 3234-1             | 3           | Screw-HHF            |
| 3           | 3230-18            | 11          | Screw-CARR         | 11          | 1-804254           | 7           | Nut-Lock, HH         |
| 4           | 3296-45            | 2           | Nut-Hex            | 12          | 74-5950            | 7           | Latch-Swell          |
| 5           | 29-4820            | 2           | Roller             | 13          | 100-5665-03        | 1           | Plate-Cover, RH      |
| 6           | 325-17             | 2           | Screw-HH           | 14          | 100-5666           | 1           | Cover-Motor, RH Deck |
| 7           | 104-8300           | 11          | Nut-HF, NI         | 17          | 3234-42            | 1           | Screw-HHF            |
| 8           | 107-3154           | 3           | Nut-Push           | 18          | 104-8301           | 1           | Nut-HF, NI           |



## Left Deck Mount Assembly

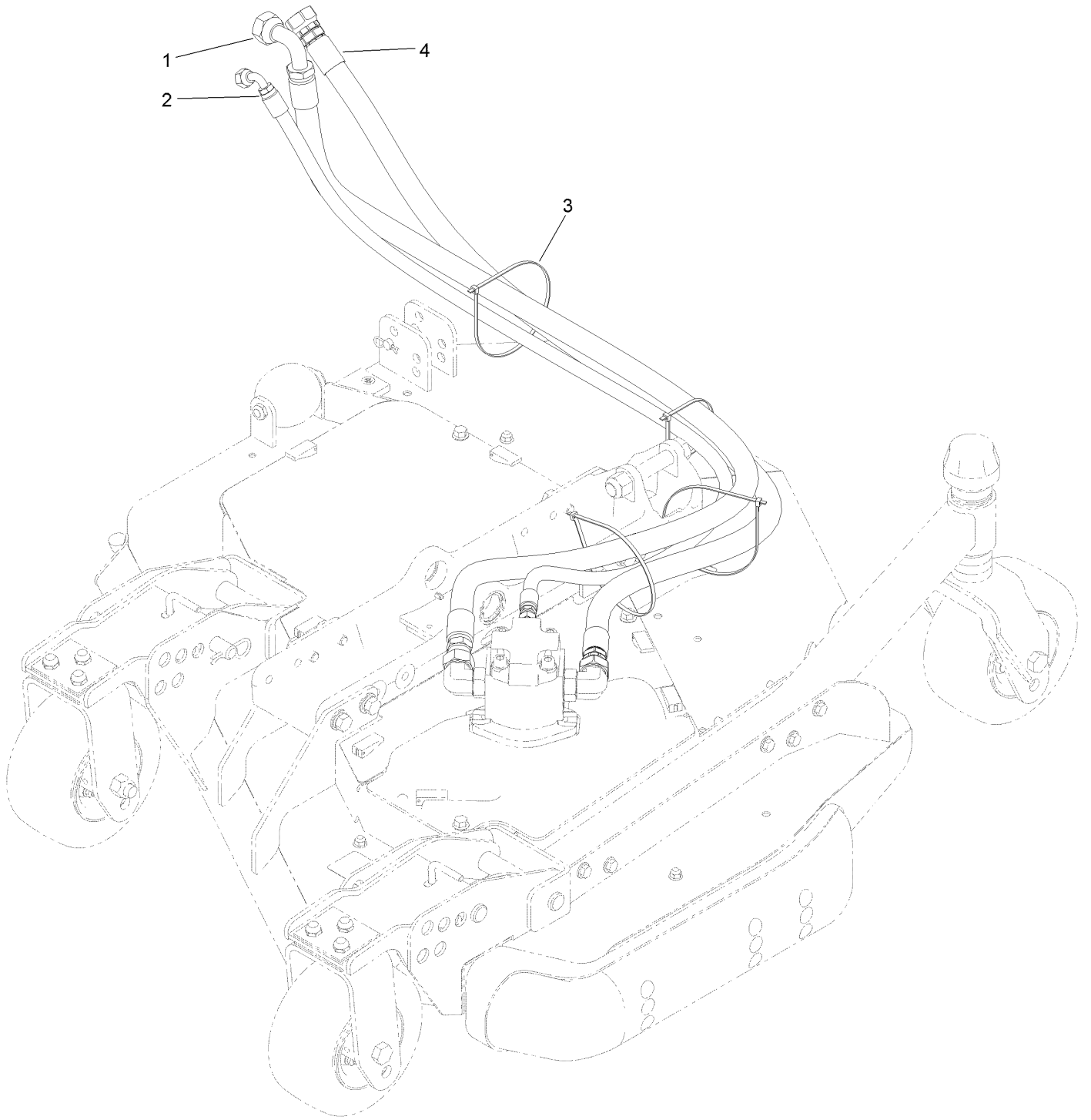
| <i>Ref.</i> | <i>Part Number</i> | <i>Qty.</i> | <i>Description</i> | <i>Ref.</i> | <i>Part Number</i> | <i>Qty.</i> | <i>Description</i> |
|-------------|--------------------|-------------|--------------------|-------------|--------------------|-------------|--------------------|
| 2           | 136-0033-03        | 1           | Mount-Deck         | 16          | 3290-467           | 1           | Pin-Hair           |
| 3           | 104-8348           | 1           | Plate-Rubber       | 17          | 127-3694           | 1           | HYD Motor ASM      |
| 4           | 136-0041-03        | 1           | Plate              | 18          | 104-3542           | 1           | Spider             |
| 7           | 32121-69           | 1           | Pin-Roll           | 19          | 104-3541           | 1           | Hub-Spider         |
| 9           | 328-8              | 1           | Screw-HH           | 20          | 3234-42            | 2           | Screw-HHF          |
| 10          | 3296-51            | 1           | Nut-Lock, NI       | 22          | 112-6957           | 1           | Washer-Hardened    |
| 11          | 3256-26            | 8           | Washer-Flat        | 23          | 3257-3             | 1           | Key-Woodruff       |
| 12          | 3253-7             | 8           | Washer-Lock        | 24          | 130-5965-03        | 1           | Bracket-Bumper, LH |
| 13          | 325-5              | 8           | Screw-HH           | 25          | 110-5070           | 1           | Bumper             |
| 14          | 32120-42           | 2           | Ring-Retaining     | 26          | 104-8300           | 1           | Nut-HF, NI         |
| 15          | 92-2739            | 1           | Pin-Clevis         |             |                    |             |                    |



## Left Deck Hydraulic Fitting Assembly

| <i>Ref.</i> | <i>Part Number</i> | <i>Qty.</i> | <i>Description</i>    |
|-------------|--------------------|-------------|-----------------------|
| 1           | 340-2              | 1           | Fitting-Straight      |
| 1:1         | 237-22             | 1           | O-Ring                |
| 1:2         | 237-42             | 1           | O-Ring                |
| 2           | 340-142            | 2           | Fitting-Elbow, 90 DEG |
| 2:1         | 237-58             | 1           | O-Ring                |
| 2:2         | 237-81             | 1           | O-Ring                |

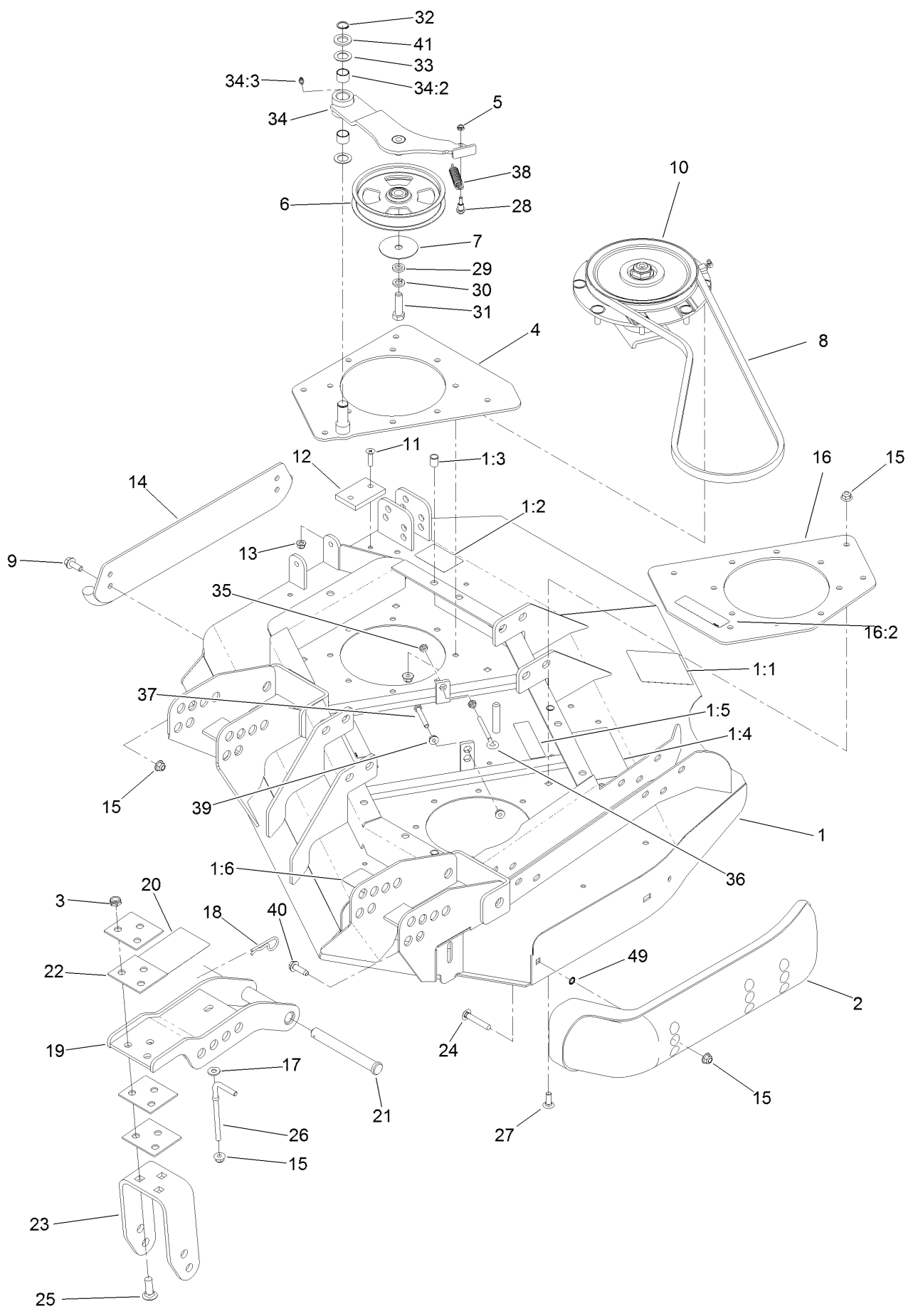
# Left Deck Hose Assembly



## Left Deck Hose Assembly (continued)

| <i>Ref.</i> | <i>Part Number</i> | <i>Qty.</i> | <i>Description</i> | <i>Ref.</i> | <i>Part Number</i> | <i>Qty.</i> | <i>Description</i> |
|-------------|--------------------|-------------|--------------------|-------------|--------------------|-------------|--------------------|
| 1           | 120-8959           | 1           | Hose-HYD           | 3           | 3290-379           | 4           | Tie-Cable          |
| 2           | 104-2265           | 1           | Hose-HYD           | 4           | 132-6116           | 1           | Hose-HYD           |

# Left Deck, Idler and Skid Assembly

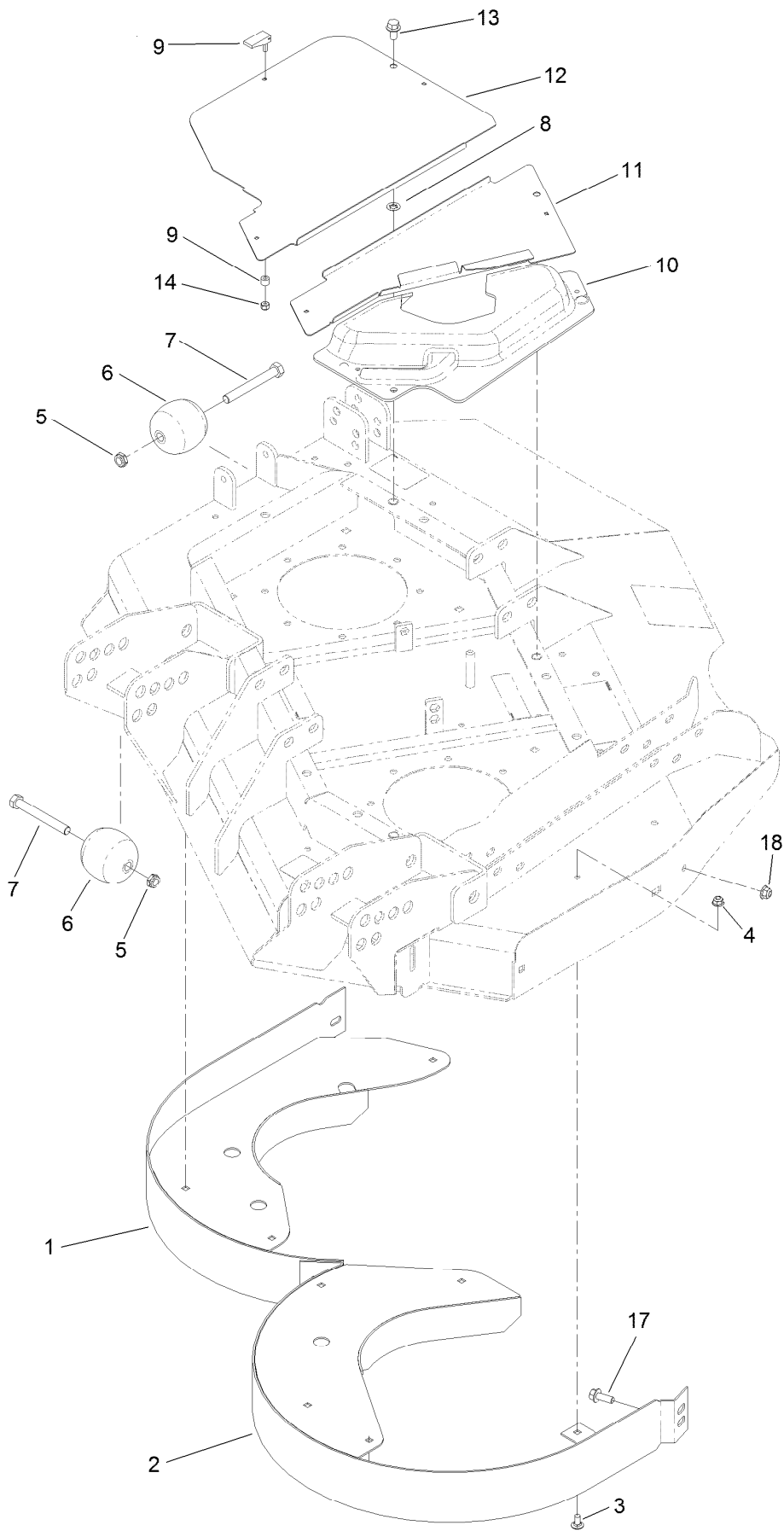




## Left Deck, Idler and Skid Assembly (continued)

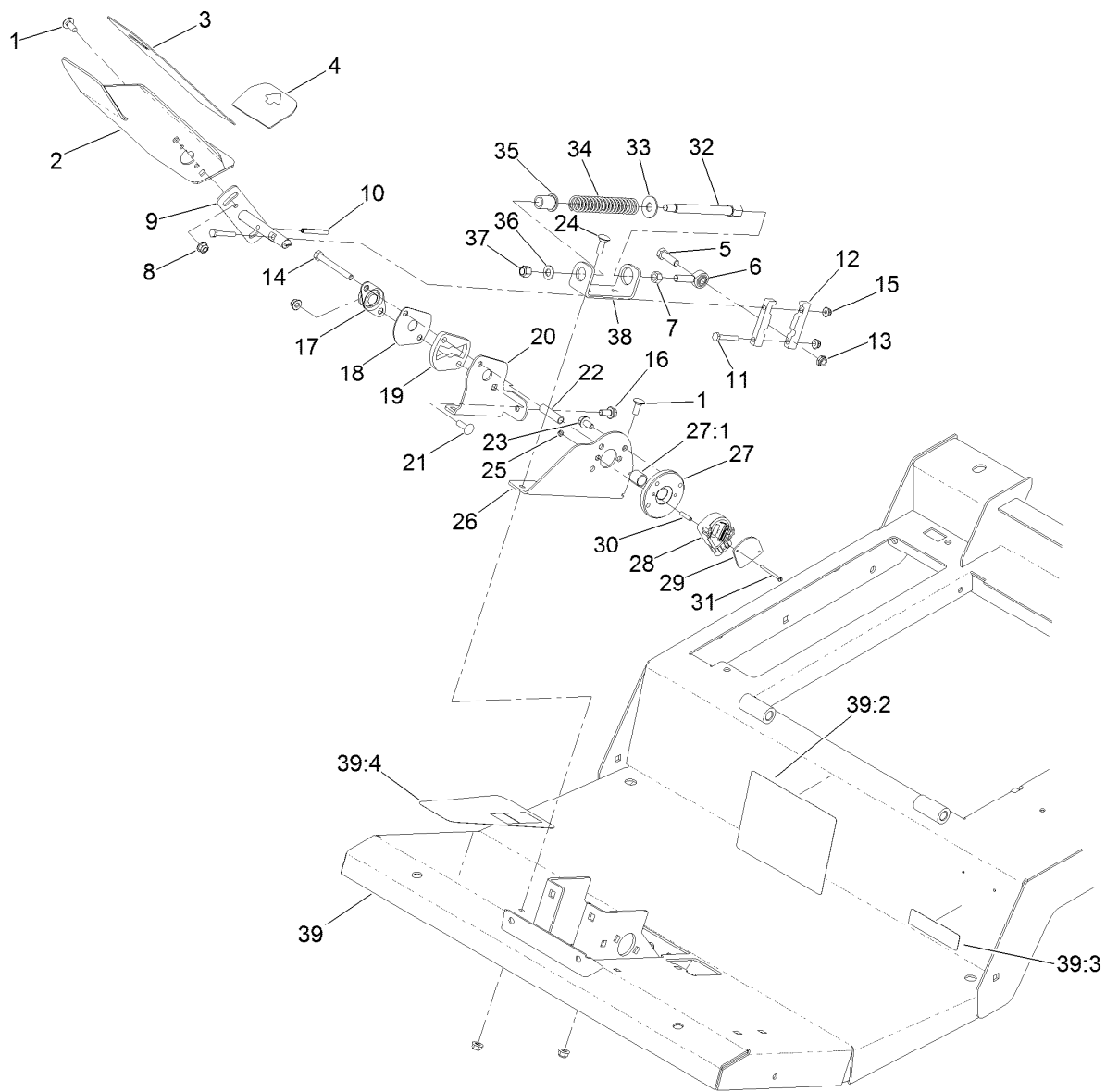
| <i>Ref.</i> | <i>Part Number</i> | <i>Qty.</i> | <i>Description</i>       | <i>Ref.</i> | <i>Part Number</i> | <i>Qty.</i> | <i>Description</i> |
|-------------|--------------------|-------------|--------------------------|-------------|--------------------|-------------|--------------------|
| 1           | 131-1236           | 1           | Left Deck ASM            | 20          | 104-3579           | 1           | Decal-HOC          |
| 1:1         | 120-6604           | 1           | Decal-Danger             | 21          | 120-5587           | 4           | Pin-Clevis         |
| 1:2         | 100-5693           | 1           | Decal-Rear HOC, LH       | 22          | 104-7524           | 8           | Shim               |
| 1:3         | 32148-9            | 3           | Nut-Clinch               | 23          | 132-6157-01        | 2           | Bracket-Fork       |
| 1:4         | 100-5622           | 1           | Decal-HOC                | 24          | 3231-33            | 2           | Screw-CARR         |
| 1:5         | 100-6578           | 2           | Decal-Danger             | 25          | 3233-2             | 6           | Screw-CARR         |
| 1:6         | 93-7818            | 1           | Decal-Torque, Blade Bolt | 26          | 106-2047           | 2           | Rod-Tension        |
| 2           | 112-1479           | 1           | Skid-Bumper, Deck        | 27          | 3231-22            | 8           | Screw-CARR         |
| 3           | 3296-45            | 6           | Nut-Hex                  | 28          | 104-0858           | 1           | Bolt-Shoulder      |
| 4           | 131-1233-01        | 1           | Plate-Stiffener          | 29          | 9202424            | 1           | Spacer             |
| 5           | 3296-56            | 1           | Nut-Lock, NI             | 30          | 3253-7             | 1           | Washer-Lock        |
| 6           | 132-9421           | 1           | Pulley-Idler, Flat       | 31          | 325-7              | 1           | Screw-HH           |
| 7           | 100-3102           | 1           | Washer-Flat              | 32          | 32120-72           | 1           | Ring-Snap          |
| 8           | 108-8076           | 1           | V-Belt, Deck             | 33          | 3-6498             | 2           | Washer-Thrust      |
| 9           | 3234-42            | 2           | Screw-HHF                | 34          | 110-6128           | 1           | Idler Arm ASM      |
| 10          | 119-4776           | 1           | Low-Driven Spindle ASM   | 34:2        | 256-76             | 2           | Bushing            |
| 11          | 32108-103          | 2           | Screw-FH                 | 34:3        | 302-5              | 1           | Fitting-Grease     |
| 12          | 69-9290            | 1           | Pad-Bumper               | 35          | 32128-14           | 2           | Nut-HF             |
| 13          | 104-8300           | 2           | Nut-HF, NI               | 36          | 68-0090            | 1           | Screw-Adjusting    |
| 14          | 104-2250-01        | 1           | Skid-Side                | 37          | 9114524            | 1           | Bolt-TAP, HH       |
| 15          | 104-8301           | 26          | Nut-HF, NI               | 38          | 107938             | 1           | Spring-Extension   |
| 16          | 131-1244           | 1           | Plate-Spindle            | 39          | 32128-26           | 2           | Nut-HF             |
| 16:2        | 100-6578           | 1           | Decal-Danger             | 40          | 9136144            | 1           | Screw-HWHTF        |
| 17          | 3256-3             | 2           | Washer-Flat              | 41          | 70-1160            | 1           | Washer             |
| 18          | 3290-343           | 4           | Pin-Hair                 | 49          | 32151-72           | 2           | Ring-Retaining     |
| 19          | 132-6150-01        | 2           | Bracket-Caster           |             |                    |             |                    |

# Left Deck Discharge Chamber and Cover Assembly



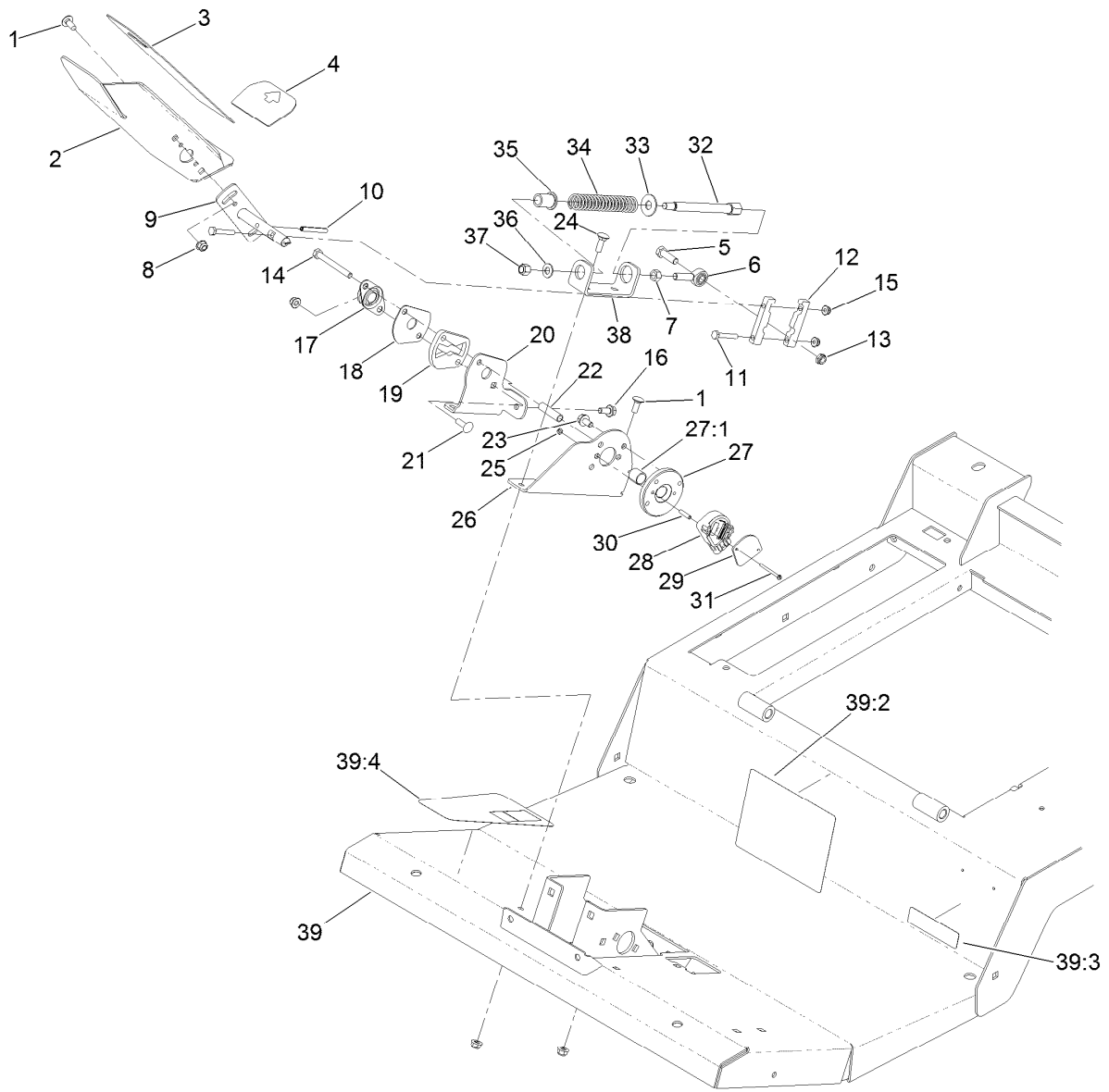
# Left Deck Discharge Chamber and Cover Assembly (continued)

| <i>Ref.</i> | <i>Part Number</i> | <i>Qty.</i> | <i>Description</i> | <i>Ref.</i> | <i>Part Number</i> | <i>Qty.</i> | <i>Description</i>   |
|-------------|--------------------|-------------|--------------------|-------------|--------------------|-------------|----------------------|
| 1           | 130-2682-01        | 1           | Chamber-Outer      | 9           | 74-5950            | 7           | Latch-Swell          |
| 2           | 130-2683-01        | 1           | Chamber-Inner      | 10          | 100-5669           | 1           | Cover-Motor, LH Deck |
| 3           | 3230-18            | 9           | Screw-CARR         | 11          | 100-5664-03        | 1           | Plate-Cover, LH      |
| 4           | 104-8300           | 9           | Nut-HF, NI         | 12          | 100-5667-03        | 1           | Plate-Cover, LH Side |
| 5           | 3296-45            | 2           | Nut-Hex            | 13          | 3234-1             | 3           | Screw-HHF            |
| 6           | 29-4820            | 2           | Roller             | 14          | 1-804254           | 7           | Nut-Lock, HH         |
| 7           | 325-17             | 2           | Screw-HH           | 17          | 3234-42            | 1           | Screw-HHF            |
| 8           | 107-3154           | 3           | Nut-Push           | 18          | 104-8301           | 1           | Nut-HF, NI           |



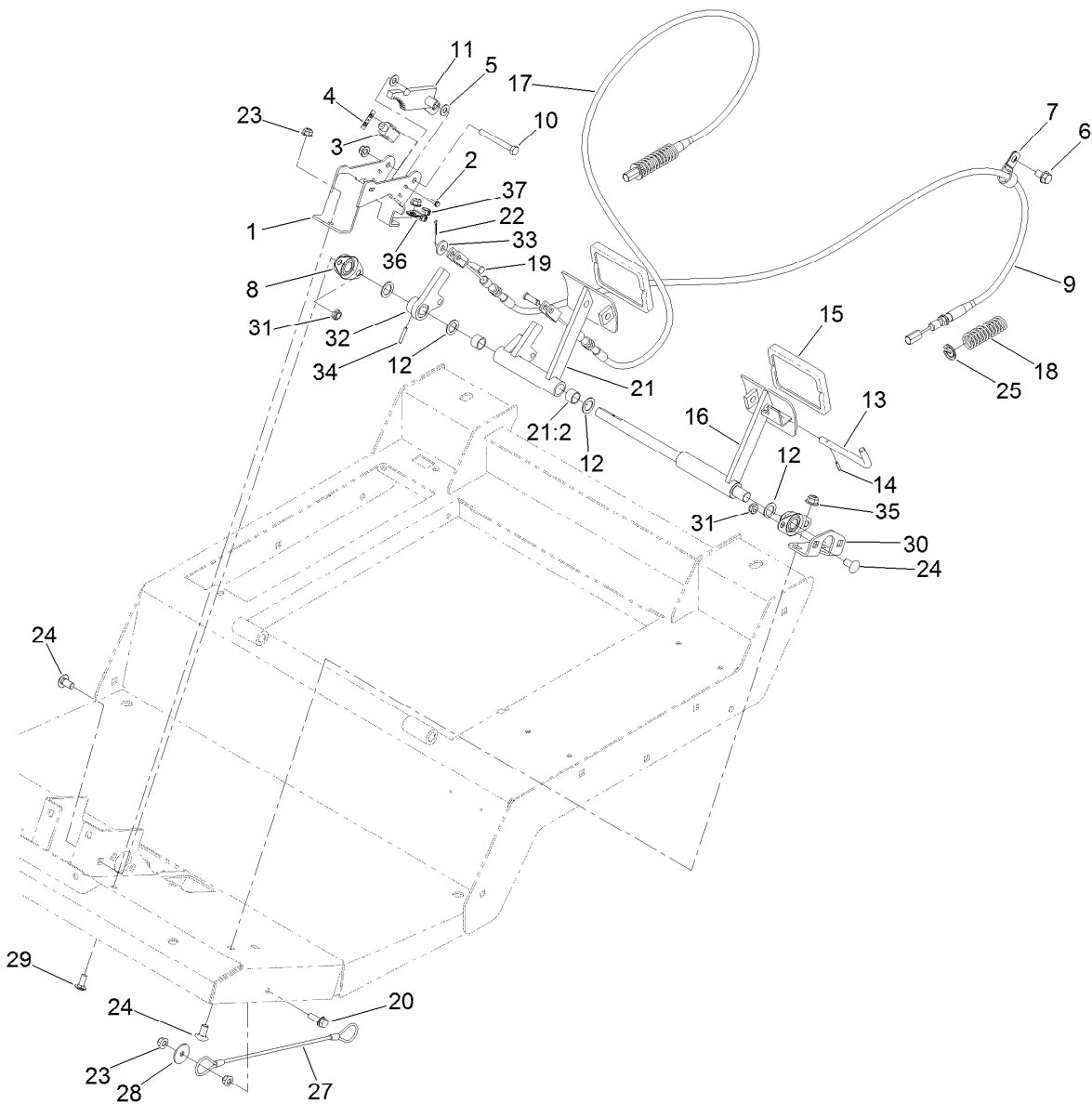
## Traction Pedal and Platform Assembly

| Ref. | Part Number | Qty. | Description           | Ref. | Part Number | Qty. | Description                   |
|------|-------------|------|-----------------------|------|-------------|------|-------------------------------|
| 1    | 3230-23     | 5    | Bolt-CARR             | 22   | 93-7960     | 1    | Spacer                        |
| 2    | 136-4368-01 | 1    | Pedal-Traction        | 23   | 114-7728    | 2    | Screw-HF                      |
| 3    | 93-5347     | 1    | Abrasive-Pedal        | 24   | 3230-2      | 2    | Bolt-CARR                     |
| 4    | 93-5368     | 1    | Abrasive-Pedal        | 25   | 3296-9      | 2    | Nut-Hex                       |
| 5    | 323-7       | 1    | Screw-HH              | 26   | 136-4384-01 | 1    | Bracket-Sender                |
| 6    | 2411-36     | 1    | Bearing-End, Rod      | 27   | 117-5445    | 1    | Bushing Hub ASM               |
| 7    | 3219-3      | 1    | Nut-Hex               | 27:1 | 95-7497     | 1    | Bushing-Wheel                 |
| 8    | 104-8300    | 9    | Nut-HF, NI            | 28   | 114-5609    | 1    | Sensor-Position               |
| 9    | 131-2245    | 1    | Shaft-Pedal, Traction | 29   | 114-5595    | 1    | Plate-Capture                 |
| 10   | 32121-78    | 1    | Pin-Roll              | 30   | 114-5608    | 2    | Spacer-Standoff               |
| 11   | 321-37      | 2    | Screw-HH              | 31   | 32105-25    | 2    | Screw-SHH                     |
| 12   | 117-5459    | 2    | Block-Clamp           | 32   | 117-5446    | 1    | Shaft-Spring                  |
| 13   | 3296-59     | 1    | Nut-Lock, NI          | 33   | 3256-5      | 1    | Washer-Flat                   |
| 14   | 322-14      | 1    | Screw-HH              | 34   | 84-9100     | 1    | Spring                        |
| 15   | 104-7201    | 2    | Nut-HF, NI            | 35   | 92-7610     | 1    | Retainer-Spring               |
| 16   | 3234-47     | 1    | Screw-HHF             | 36   | 3256-24     | 1    | Washer-Plain                  |
| 17   | 256-236     | 1    | Bearing-Mount, Flange | 37   | 3296-6      | 1    | Nut-Lock                      |
| 18   | 117-5455    | 1    | Plate-Cover           | 38   | 131-2252-01 | 1    | Bracket-Spring                |
| 19   | 117-5454    | 1    | Plate-Butterfly       | 39   | 132-6251    | 1    | Platform ASM                  |
| 20   | 131-2250-01 | 1    | Bracket-Butterfly     | 39:2 | 114-0846    | 1    | Decal-Instructions, Operating |
| 21   | 3230-22     | 1    | Screw-CARR            |      |             |      |                               |



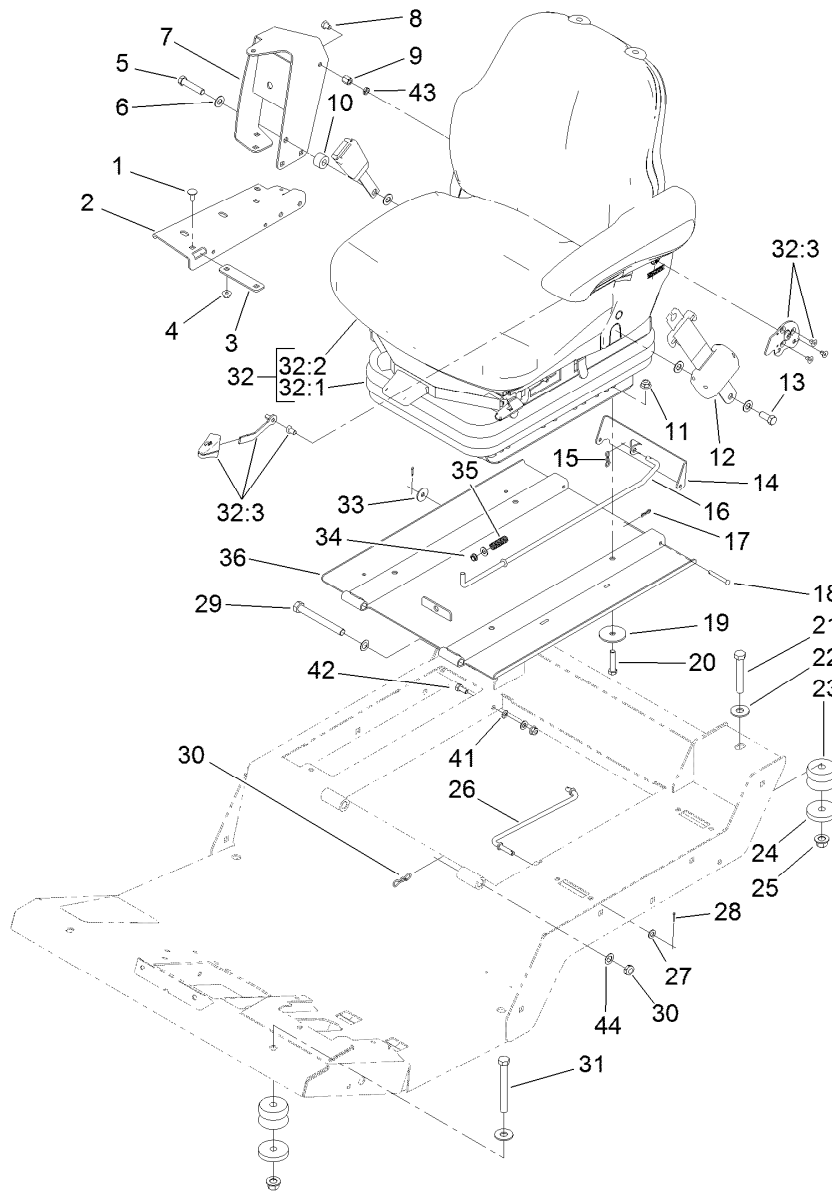
## Traction Pedal and Platform Assembly (continued)

| <i>Ref.</i> | <i>Part Number</i> | <i>Qty.</i> | <i>Description</i>    |
|-------------|--------------------|-------------|-----------------------|
| 39:3        | 133-8062           | 1           | Decal-Spark Arrestor  |
| 39:4        | 114-0849           | 1           | Decal-Pedal, Traction |



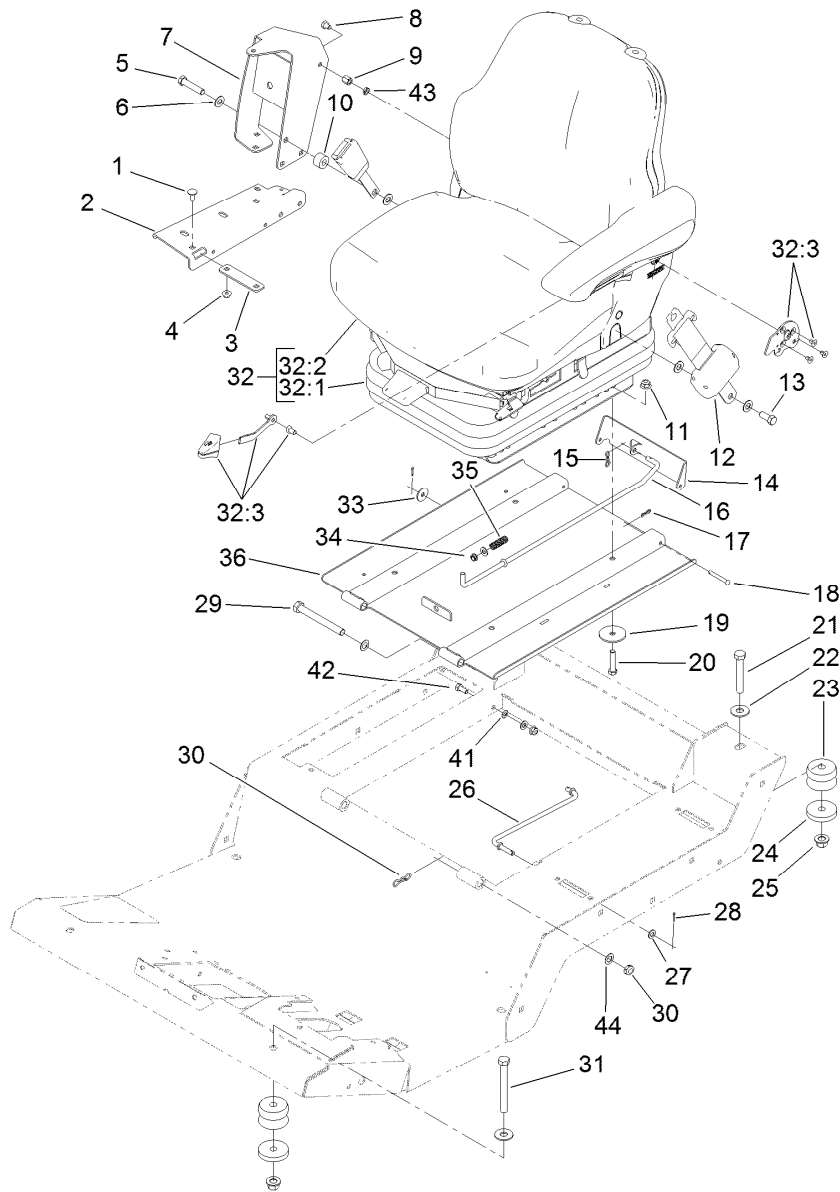
## Brake Pedal Assembly

| Ref. | Part Number | Qty. | Description           | Ref. | Part Number | Qty. | Description      |
|------|-------------|------|-----------------------|------|-------------|------|------------------|
| 1    | 132-6259-03 | 1    | Mount-Switch          | 20   | 3234-29     | 1    | Screw-HHF        |
| 2    | 117-5458    | 4    | Screw-HHF             | 21   | 132-6252    | 1    | Pedal-Brake, RH  |
| 3    | 99-3410     | 2    | Switch                | 21:2 | 256-42      | 2    | Bushing          |
| 4    | 108-9824    | 2    | Nut-Switch            | 22   | 3272-6      | 2    | Pin-Cotter       |
| 5    | 3256-23     | 2    | Washer-Plain          | 23   | 104-8300    | 5    | Nut-HF, NI       |
| 6    | 32144-69    | 2    | Screw-HWHTF           | 24   | 3231-21     | 6    | Screw-CARR       |
| 7    | 2412-4      | 2    | Clamp-R               | 25   | 94-3050     | 2    | Plate-Spring     |
| 8    | 256-236     | 2    | Bearing-Mount, Flange | 27   | 110-4896    | 1    | Lanyard          |
| 9    | 120-8899    | 1    | Cable-Brake, LH       | 28   | 3256-57     | 1    | Washer-Flat      |
| 10   | 322-13      | 1    | Screw-HH              | 29   | 3230-23     | 2    | Bolt-CARR        |
| 11   | 132-6290-03 | 1    | Rack                  | 30   | 132-6247-01 | 1    | Mount-Bearing    |
| 12   | 3256-69     | 4    | Washer-Flat           | 31   | 3296-59     | 4    | Nut-Lock, NI     |
| 13   | 63-7880     | 1    | Pin-Latch, Brake      | 32   | 132-6229    | 1    | Arm-Cable, Brake |
| 14   | 32121-50    | 1    | Pin-Spring            | 33   | 4-2390      | 2    | Washer-Flat      |
| 15   | 93-8742     | 2    | Footpad-Brake         | 34   | 32121-125   | 1    | Pin-Roll         |
| 16   | 132-6288-01 | 1    | Pedal-Brake, LH       | 35   | 104-8301    | 2    | Nut-HF, NI       |
| 17   | 120-8898    | 1    | Cable-Brake, RH       | 36   | 88-7970     | 1    | Clip             |
| 18   | 94-3088     | 2    | Spring-Compression    | 37   | 1-303287    | 2    | Tie-Cable        |
| 19   | 120-9694    | 2    | Pin-Clevis            |      |             |      |                  |



## Seat Base and Seat Assembly

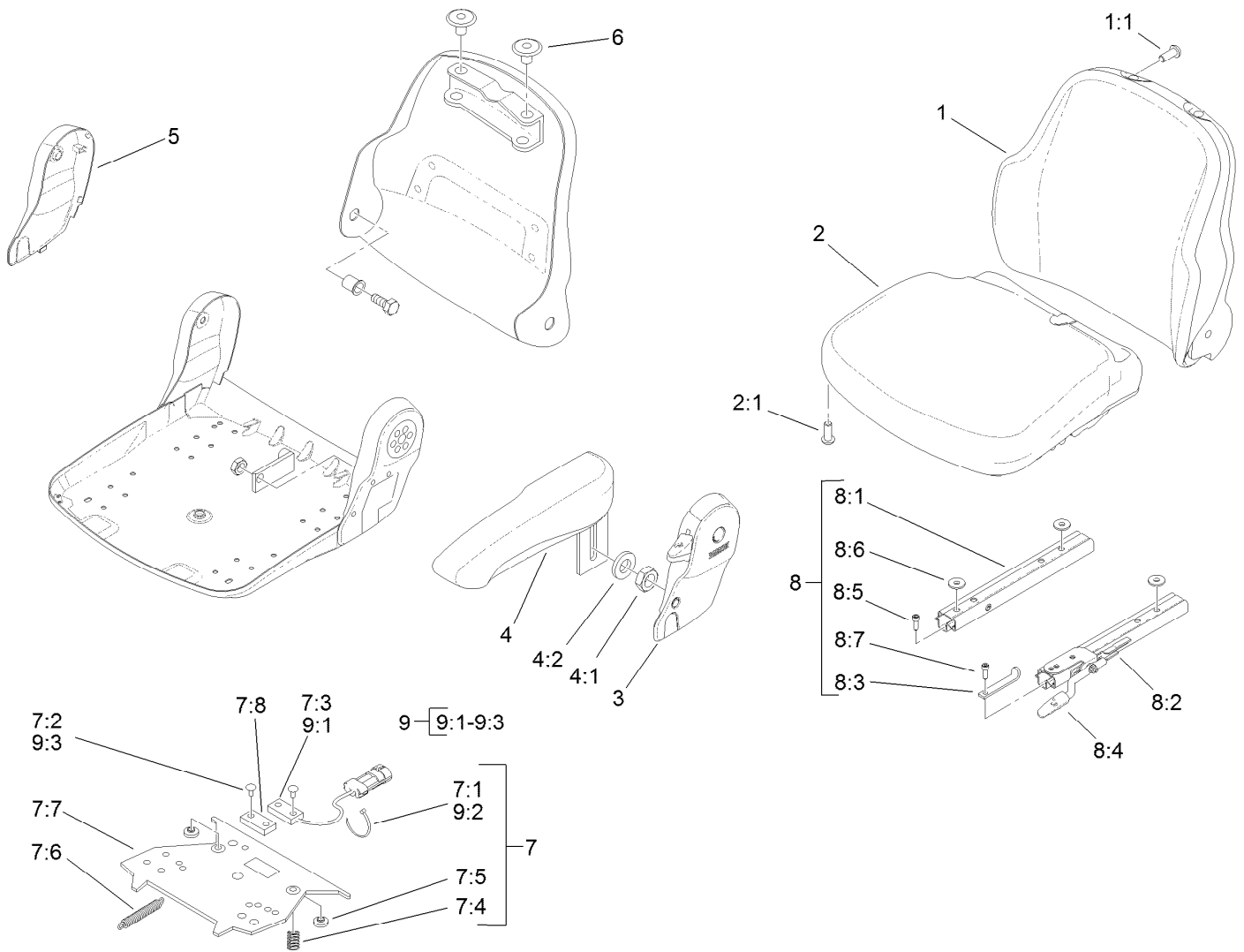
| <i>Ref.</i> | <i>Part Number</i> | <i>Qty.</i> | <i>Description</i>   | <i>Ref.</i> | <i>Part Number</i> | <i>Qty.</i> | <i>Description</i>       |
|-------------|--------------------|-------------|----------------------|-------------|--------------------|-------------|--------------------------|
| 1           | 3230-23            | 6           | Bolt-CARR            | 22          | 3256-6             | 4           | Washer-Flat              |
| 2           | 119-0000-03        | 1           | Channel-Support      | 23          | 110-5954           | 4           | Mount-Center, Bonded     |
| 3           | 112-7449-03        | 1           | Bracket-Support      | 24          | 115-5519           | 4           | Washer-Plain             |
| 4           | 104-8300           | 7           | Nut-HF, NI           | 25          | 99-5107            | 4           | Nut-Lock                 |
| 5           | 3212-8             | 1           | Screw-HH             | 26          | 93-5338            | 1           | Rod-Prop                 |
| 6           | 3256-25            | 4           | Washer-Flat          | 27          | 3256-23            | 3           | Washer-Plain             |
| 7           | 117-4798-03        | 1           | Arm-Support          | 28          | 3272-5             | 2           | Pin-Cotter               |
| 8           | 108-8646           | 1           | Screw-HH, Lock       | 29          | 325-18             | 2           | Screw-HH                 |
| 9           | 112-7405           | 1           | Nut-Hex, Coupling    | 30          | 3296-45            | 2           | Nut-Hex                  |
| 10          | 17-7190            | 1           | Spacer-Finger        | 31          | 702093             | 2           | Screw-HH                 |
| 11          | 104-8301           | 4           | Nut-HF, NI           | 32          | 130-2700           | 1           | Seat And Suspension ASM  |
| 12          | 110-0413           | 1           | Seatbelt-Retractable | 32:1        | 130-2702           | 1           | Air Ride Seat Suspension |
| 13          | 3212-4             | 1           | Screw-HH             | 32:2        | 117-9429           | 1           | Matrix Cloth Seat ASM    |
| 14          | 120-9017-03        | 1           | Latch-Seat           | 32:3        | 132-1304           | 1           | Backrest Adjustment Kit  |
| 15          | 119-1415           | 1           | Pin-Cotter, Locking  | 33          | 3256-82            | 1           | Washer-Flat              |
| 16          | 120-9018           | 1           | Rod-Latch            | 34          | 5979               | 1           | Bushing-Nyliner          |
| 17          | 119-1414           | 2           | Pin-Cotter, Locking  | 35          | 95-1821-03         | 1           | Spring-Compression       |
| 18          | 283-57             | 2           | Pin-Clevis           | 36          | 137-5475-03        | 1           | Plate-Seat               |
| 19          | 83-1040            | 4           | Washer-Flat          | 41          | 3255-8             | 1           | Washer-Lock              |
| 20          | 323-9              | 4           | Screw-HH             | 42          | 322-3              | 1           | Screw-HH                 |
| 21          | 112-7264           | 2           | Screw-HH             |             |                    |             |                          |



## Seat Base and Seat Assembly (continued)

| <i>Ref.</i> | <i>Part Number</i> | <i>Qty.</i> | <i>Description</i> |
|-------------|--------------------|-------------|--------------------|
| 43          | 117-4059           | 1           | Nut-Hex            |
| 44          | 36-4780            | 4           | Washer-Plain       |



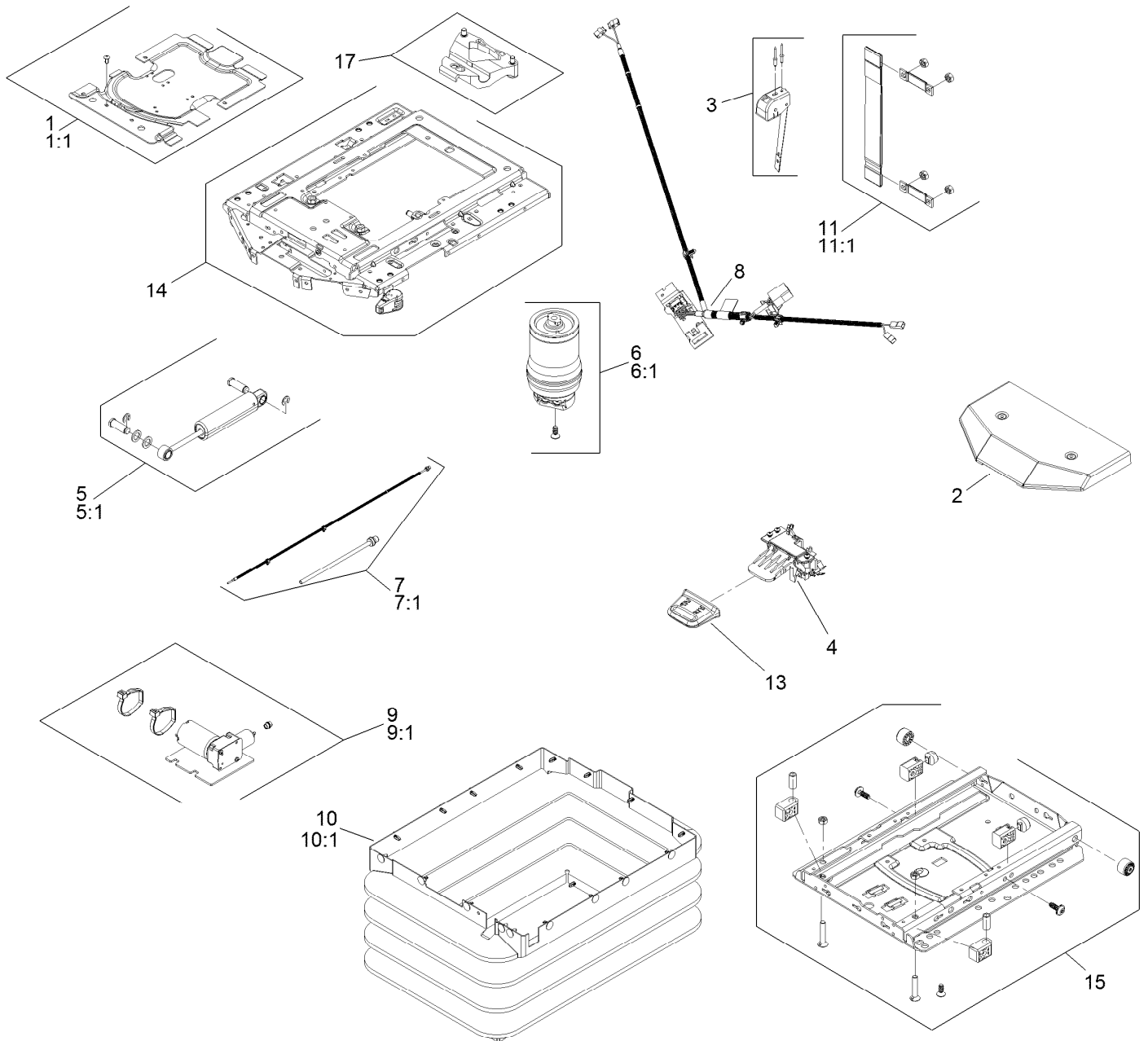


## Cloth Premium Seat Assembly No. 117-9429

| Ref. | Part Number | Qty. | Description                       | Ref. | Part Number | Qty. | Description             |
|------|-------------|------|-----------------------------------|------|-------------|------|-------------------------|
| 1    | 117-9415    | 1    | Backrest Cushion ASM Matrix Cloth | 7:5  |             | 2    | Bumper-Pressure Plate ● |
| 1:1  | 119-7742    | 4    | Screw-Cushion                     | 7:6  |             | 1    | Spring-Extension ●      |
| 2    | 117-9416    | 1    | Seat Cushion ASM Matrix Cloth     | 7:7  |             | 1    | Plate-Mounting ●        |
| 2:1  | 119-7742    | 3    | Screw-Cushion                     | 7:8  |             | 1    | Magnet ●                |
| 3    | 108-8018    | 1    | Cover-Armrest                     | 8    | 108-8025    | 1    | Adjustment Rail Set     |
| 4    | 108-8019    | 1    | LH Armrest ASM                    | 8:1  |             | 1    | Rail-Adjustment, RH ●   |
| 4:1  | 82-9650     | 1    | Nut                               | 8:2  |             | 1    | Rail-Adjustment, LH ●   |
| 4:2  | 107-1198    | 1    | Washer                            | 8:3  |             | 1    | Stop-Rail ●             |
| 5    | 108-8021    | 1    | Cover-Armrest                     | 8:4  |             | 1    | Handle ●                |
| 6    | 108-8022    | 2    | Cover-Black                       | 8:5  |             | 3    | Screw ●                 |
| 7    | 108-8024    | 1    | Switch Kit                        | 8:6  |             | 3    | Washer ●                |
| 7:1  |             | 3    | Wire Tie ●                        | 8:7  |             | 1    | Screw ●                 |
| 7:2  |             | 4    | Rivet ●                           | 9    | 110-6189    | 1    | Switch Kit              |
| 7:3  |             | 1    | Sensor-Seat Switch ●              | 9:1  |             | 1    | Switch ●                |
| 7:4  |             | 2    | Spring-Compression ●              | 9:2  |             | 3    | Wire Tie ●              |
|      |             |      |                                   | 9:3  |             | 2    | Rivet ●                 |

● Not serviced separately

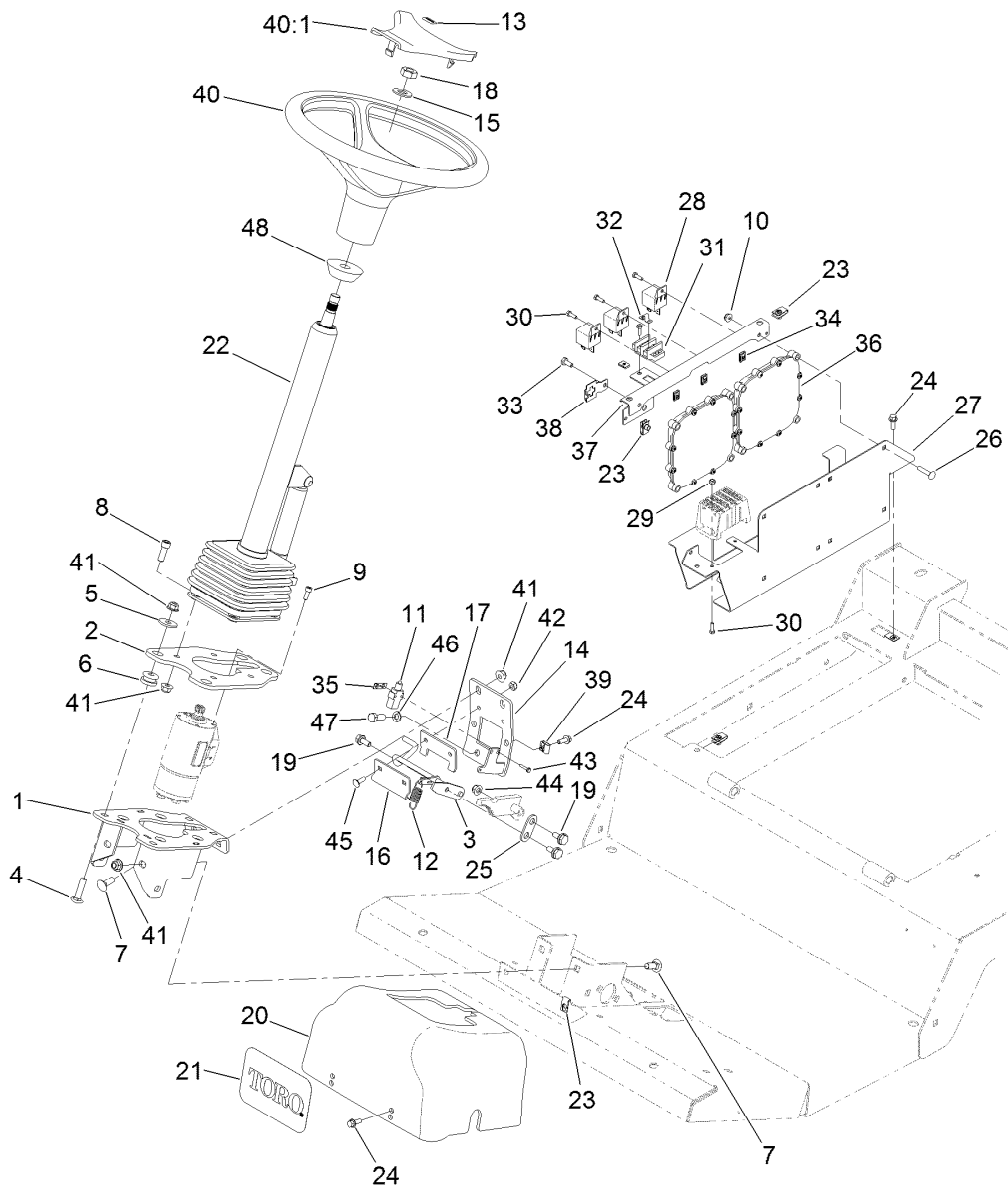
# Seat Suspension Assembly No. 130-2702



## Seat Suspension Assembly No. 130-2702 (continued)

| <i>Ref.</i> | <i>Part Number</i> | <i>Qty.</i> | <i>Description</i> | <i>Ref.</i> | <i>Part Number</i> | <i>Qty.</i> | <i>Description</i>      |
|-------------|--------------------|-------------|--------------------|-------------|--------------------|-------------|-------------------------|
| 1           | 130-2709           | 1           | Cover ASM          | 9           | 130-2719           | 1           | Compressor              |
| 1:1         | 130-2710           | 1           | Cover Kit          | 9:1         | 130-2720           | 1           | Compressor Kit          |
| 2           | 108-8027           | 1           | Cover              | 10          | 130-2721           | 1           | Bellows ASM             |
| 3           | 130-2711           | 1           | Control-Level      | 10:1        | 130-2722           | 1           | Bellows Kit             |
| 4           | 108-8029           | 1           | Valve-Control, Air | 11          | 130-2723           | 1           | Tether                  |
| 5           | 130-2712           | 1           | Shock Absorber ASM | 11:1        | 130-2724           | 1           | Tether Kit              |
| 5:1         | 130-2713           | 1           | Shock Absorber Kit | 12          | 130-2725           | 1           | Wear Parts Kit ●        |
| 6           | 130-2714           | 1           | Air Spring ASM     | 13          | 130-2726           | 1           | Handle                  |
| 6:1         | 130-2715           | 1           | Air Spring Kit     | 14          | 130-2727           | 1           | Upper Suspension Kit    |
| 7           | 130-2716           | 1           | Air Tube ASM       | 15          | 130-2728           | 1           | Lower Suspension Kit    |
| 7:1         | 130-2717           | 1           | Air Tube Kit       | 16          | 130-2729           | 1           | Adjuster Mounting Kit ● |
| 8           | 130-2718           | 1           | Harness-Wire       | 17          | 130-2730           | 1           | Limiters-Thrust         |

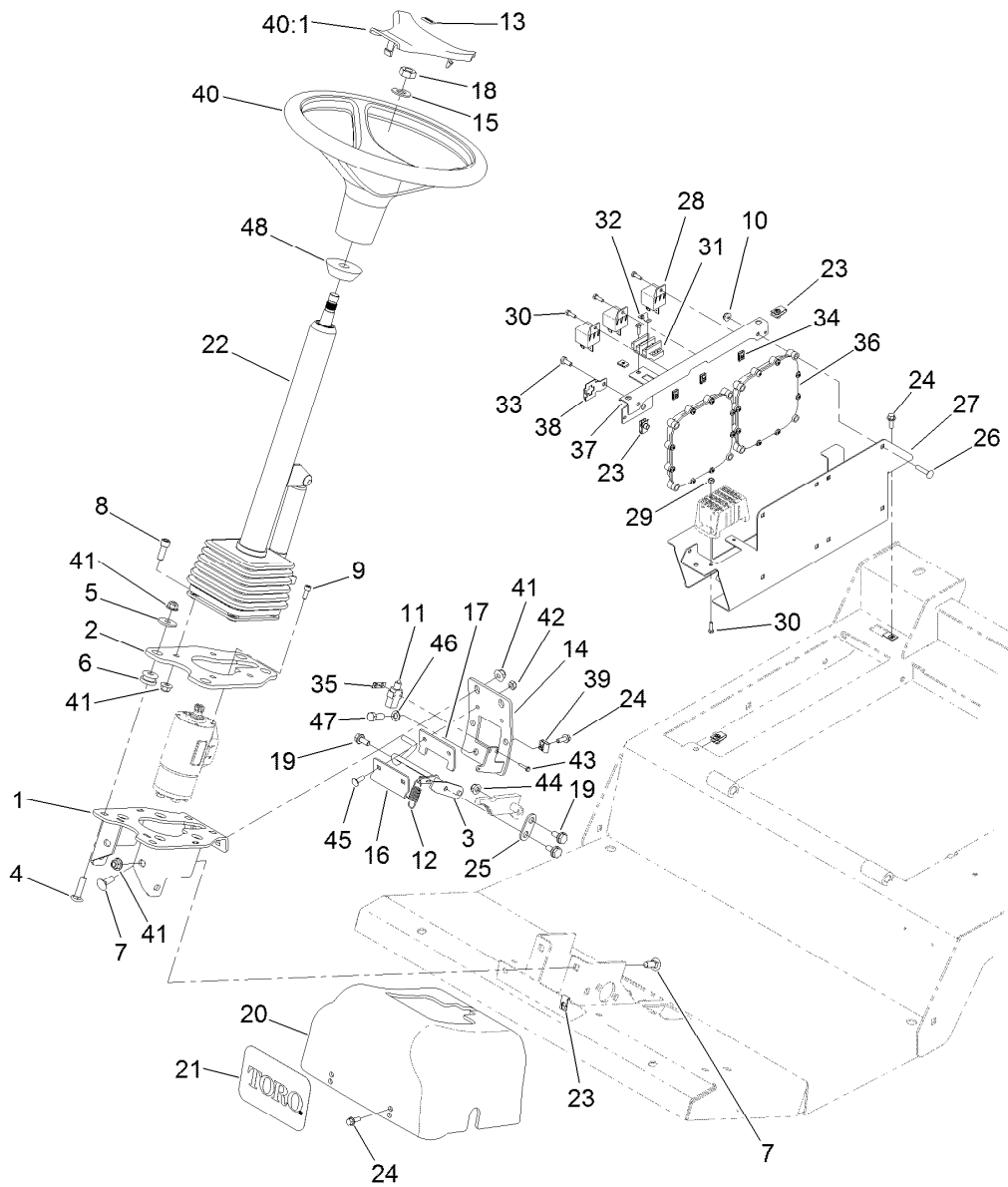
● Not illustrated



## Steering and Controller Assembly

| Ref. | Part Number | Qty. | Description         |
|------|-------------|------|---------------------|
| 1    | 137-5590-03 | 1    | Mount               |
| 2    | 137-5588-03 | 1    | Plate-Mount, Column |
| 3    | 132-6285    | 1    | Rod-Brake           |
| 4    | 3231-26     | 4    | Screw-CARR          |
| 5    | 63-8410     | 4    | Washer              |
| 6    | 63-9750     | 4    | Mount               |
| 7    | 3231-2      | 6    | Bolt-CARR           |
| 8    | 3274-7      | 4    | Screw-HSH           |
| 9    | 105-2409    | 4    | Screw-HSH           |
| 10   | 104-7201    | 8    | Nut-HF, NI          |
| 11   | 99-3410     | 1    | Switch              |
| 12   | 136-7153    | 1    | Spring-Extension    |
| 13   | 98-1459     | 1    | Decal               |
| 14   | 132-6225-03 | 1    | Support-Rear        |
| 15   | 3256-27     | 1    | Washer-Flat         |
| 16   | 132-6283    | 1    | Plate-Brake         |
| 17   | 132-6284    | 1    | Plate-Brake         |
| 18   | 3296-33     | 1    | Nut-Lock, NI        |
| 19   | 37-8771     | 2    | Bolt-Shoulder, HF   |
| 20   | 132-6244    | 1    | Cover-Steering      |
| 21   | 105-1217    | 1    | Decal               |

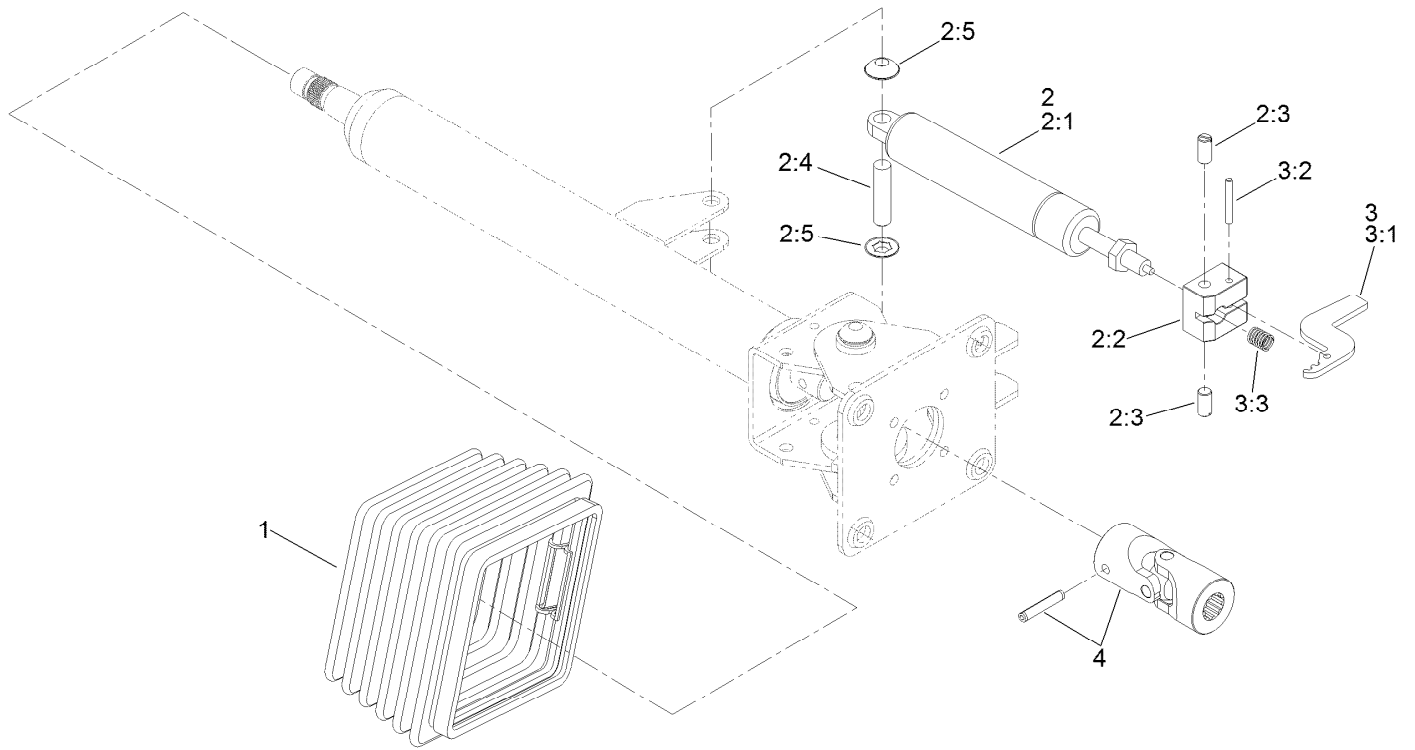
| Ref. | Part Number | Qty. | Description              |
|------|-------------|------|--------------------------|
| 22   | 132-6230    | 1    | Steering Tilt Column ASM |
| 23   | 107069      | 7    | Clip                     |
| 24   | 3234-4      | 6    | Screw-HHF                |
| 25   | 137-5548    | 1    | Link-Brake               |
| 26   | 3229-3      | 8    | Screw-CARR               |
| 27   | 120-4093-03 | 1    | Mount-Power              |
| 28   | 99-7435     | 3    | Relay                    |
| 29   | 3296-12     | 2    | Nut-Lock, NI             |
| 30   | 3290-134    | 7    | Screw                    |
| 31   | 42862       | 1    | Block-Terminal, Ground   |
| 32   | 42863       | 1    | Strip-Jumper             |
| 33   | 321-3       | 1    | Screw-HH                 |
| 34   | 107-1013    | 5    | Nut-Speed                |
| 35   | 108-9824    | 1    | Nut-Switch               |
| 36   | 114-3321    | 2    | Controller-Tec           |
| 37   | 120-4127-03 | 1    | Mount-Relay              |
| 38   | 114-5502    | 1    | Clip-Fuse                |
| 39   | 609900      | 2    | Nut-Speed                |
| 40   | 98-1471     | 1    | Wheel-Steering           |
| 40:1 | 98-1468     | 1    | Cover-Wheel, Steering    |
| 41   | 104-8301    | 14   | Nut-HF, NI               |



## Steering and Controller Assembly (continued)

| <i>Ref.</i> | <i>Part Number</i> | <i>Qty.</i> | <i>Description</i> |
|-------------|--------------------|-------------|--------------------|
| 42          | 3296-16            | 2           | Nut-Lock, NI       |
| 43          | 117-5458           | 2           | Screw-HHF          |
| 44          | 104-8300           | 2           | Nut-HF, NI         |
| 45          | 1-807512           | 2           | Bolt-CARR          |

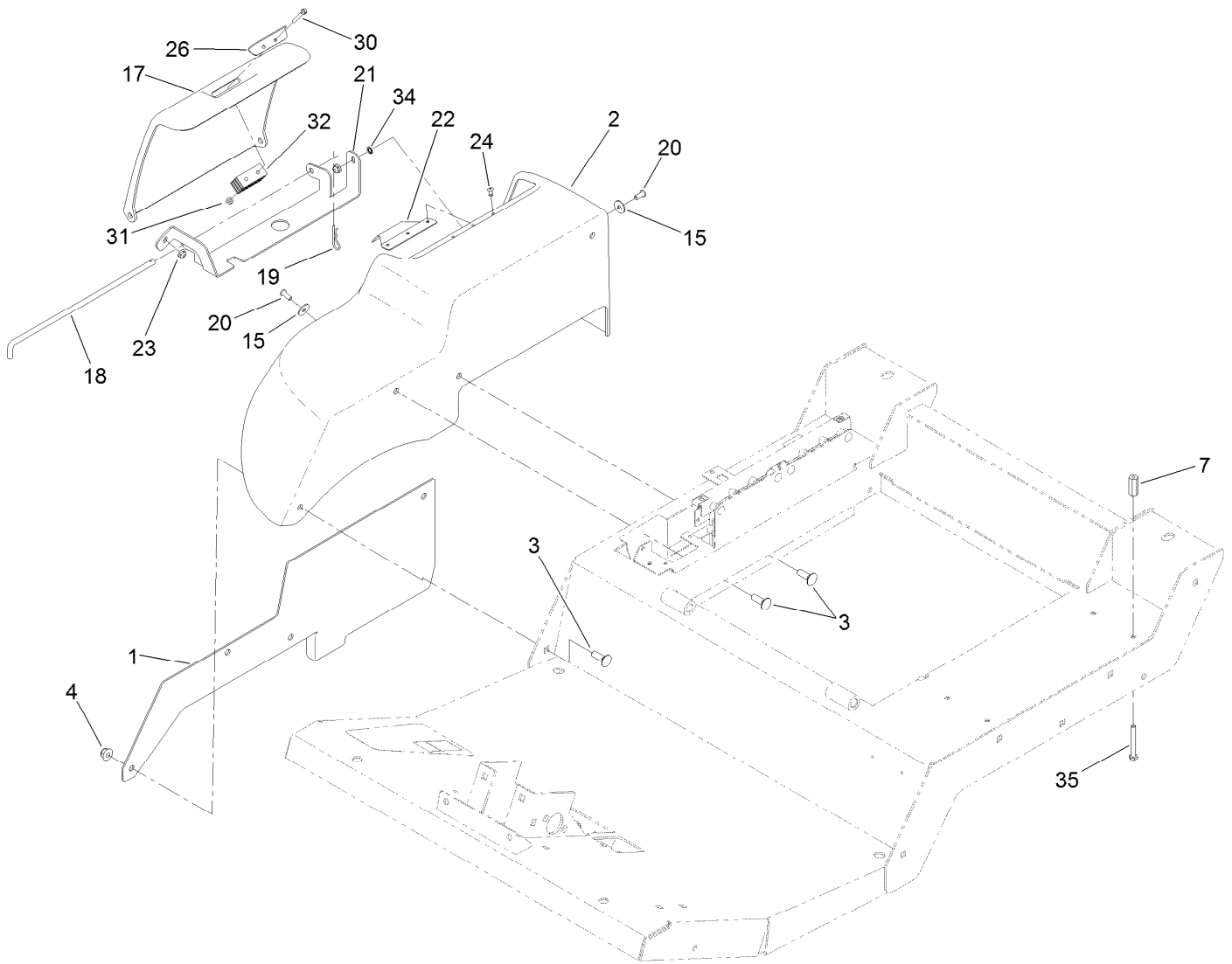
| <i>Ref.</i> | <i>Part Number</i> | <i>Qty.</i> | <i>Description</i> |
|-------------|--------------------|-------------|--------------------|
| 46          | 3253-21            | 2           | Washer-Lock        |
| 47          | 323-6              | 2           | Screw-HH           |
| 48          | 93-5429            | 1           | Collar-Foam        |



## Steering Column Assembly No. 132-6230

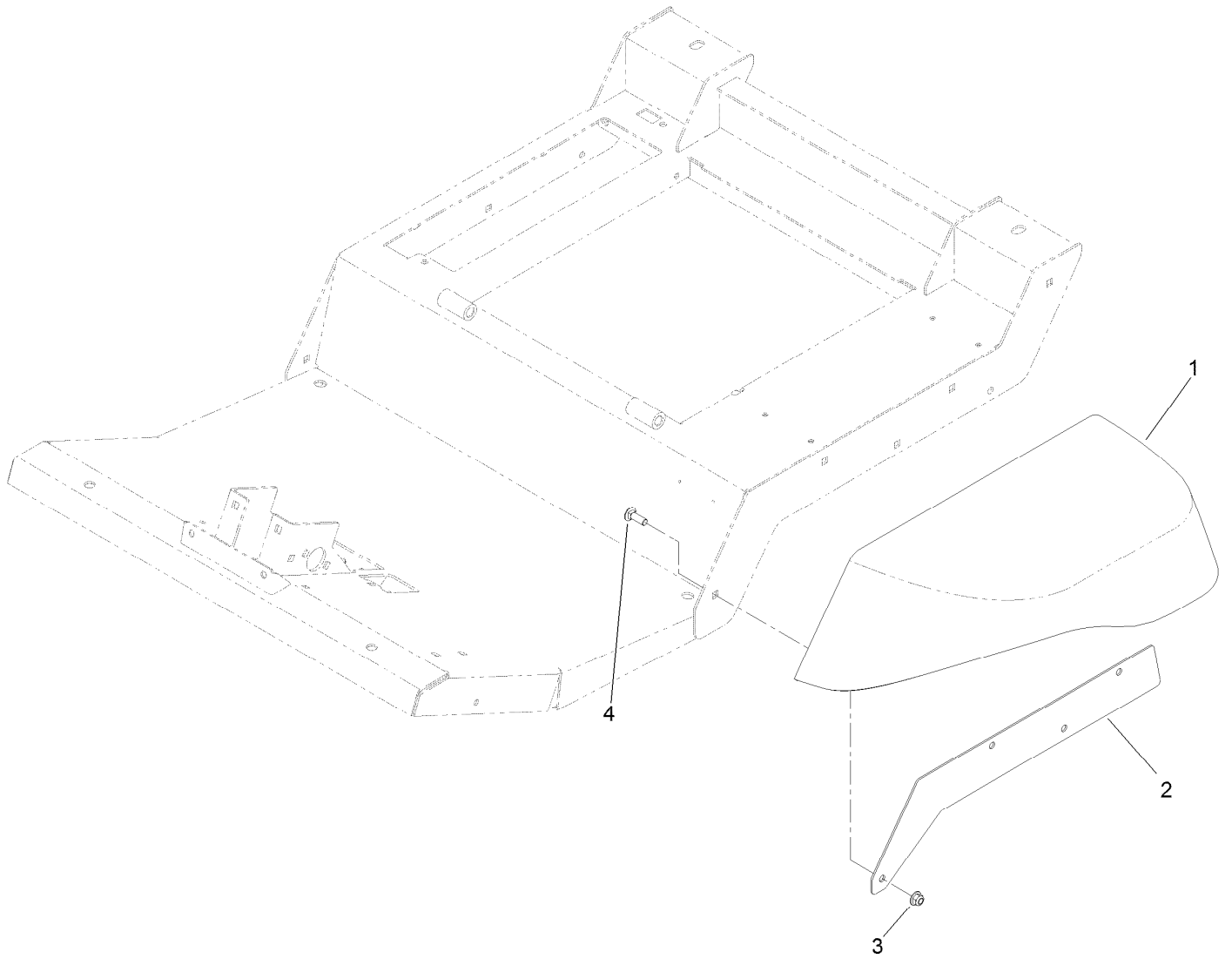
| Ref. | Part Number | Qty. | Description          |
|------|-------------|------|----------------------|
| 1    | 110-6462    | 1    | Bellows-Rubber       |
| 2    | 110-6463    | 1    | Cylinder Service Kit |
| 2:1  |             | 1    | Cylinder-Gas ●       |
| 2:2  |             | 1    | Block-Pedal ●        |
| 2:3  |             | 2    | Bolt ●               |
| 2:4  |             | 1    | Pin ●                |
| 2:5  |             | 2    | Washer-Lock ●        |
| 3    | 136-4385    | 1    | Pedal Service Kit    |
| 3:1  |             | 1    | Pedal ●              |
| 3:2  |             | 1    | Pin ●                |
| 3:3  |             | 1    | Spring ●             |
| 4    | 120-6256    | 1    | Universal Joint Kit  |

● Not serviced separately



## RH Fender Assembly

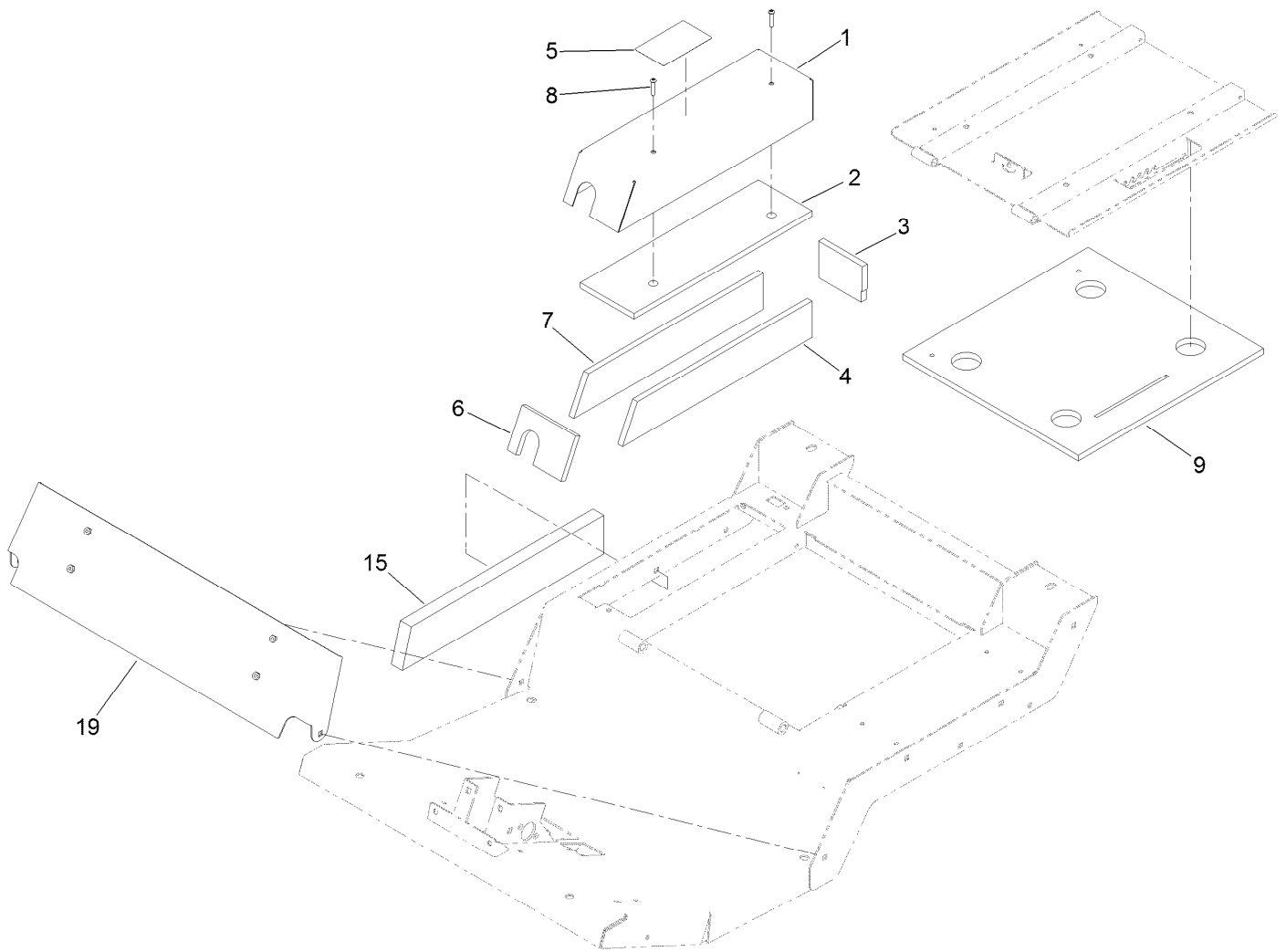
| <i>Ref.</i> | <i>Part Number</i> | <i>Qty.</i> | <i>Description</i> | <i>Ref.</i> | <i>Part Number</i> | <i>Qty.</i> | <i>Description</i> |
|-------------|--------------------|-------------|--------------------|-------------|--------------------|-------------|--------------------|
| 1           | 121-1579-03        | 1           | Plate-Fender, RH   | 21          | 121-1586-03        | 1           | Mount-Cover        |
| 2           | 120-4113           | 1           | Fender-RH          | 22          | 127-3706           | 1           | Plate-Cover        |
| 3           | 3231-25            | 4           | Bolt-CARR          | 23          | 104-7201           | 2           | Nut-HF, NI         |
| 4           | 104-8301           | 4           | Nut-HF, NI         | 24          | 3269-23            | 3           | Rivet-Pop          |
| 7           | 136-4358           | 4           | Nut-Coupling       | 26          | 127-3705           | 1           | Plate-Cover        |
| 15          | 87-6630            | 2           | Washer-Plain       | 30          | 32105-1            | 2           | Screw-SHH          |
| 17          | 120-4115           | 1           | Cover-Battery      | 31          | 3296-2             | 2           | Nut-Lock, NI       |
| 18          | 121-1588           | 1           | Rod-Hinge          | 32          | 69-6260            | 1           | Magnet             |
| 19          | 3290-467           | 1           | Pin-Hair           | 34          | 3255-7             | 1           | Washer-Lock/EXT    |
| 20          | 3274-31            | 2           | Screw-HSBH         | 35          | 100-5858           | 4           | Screw-HH           |



## Fender Assembly

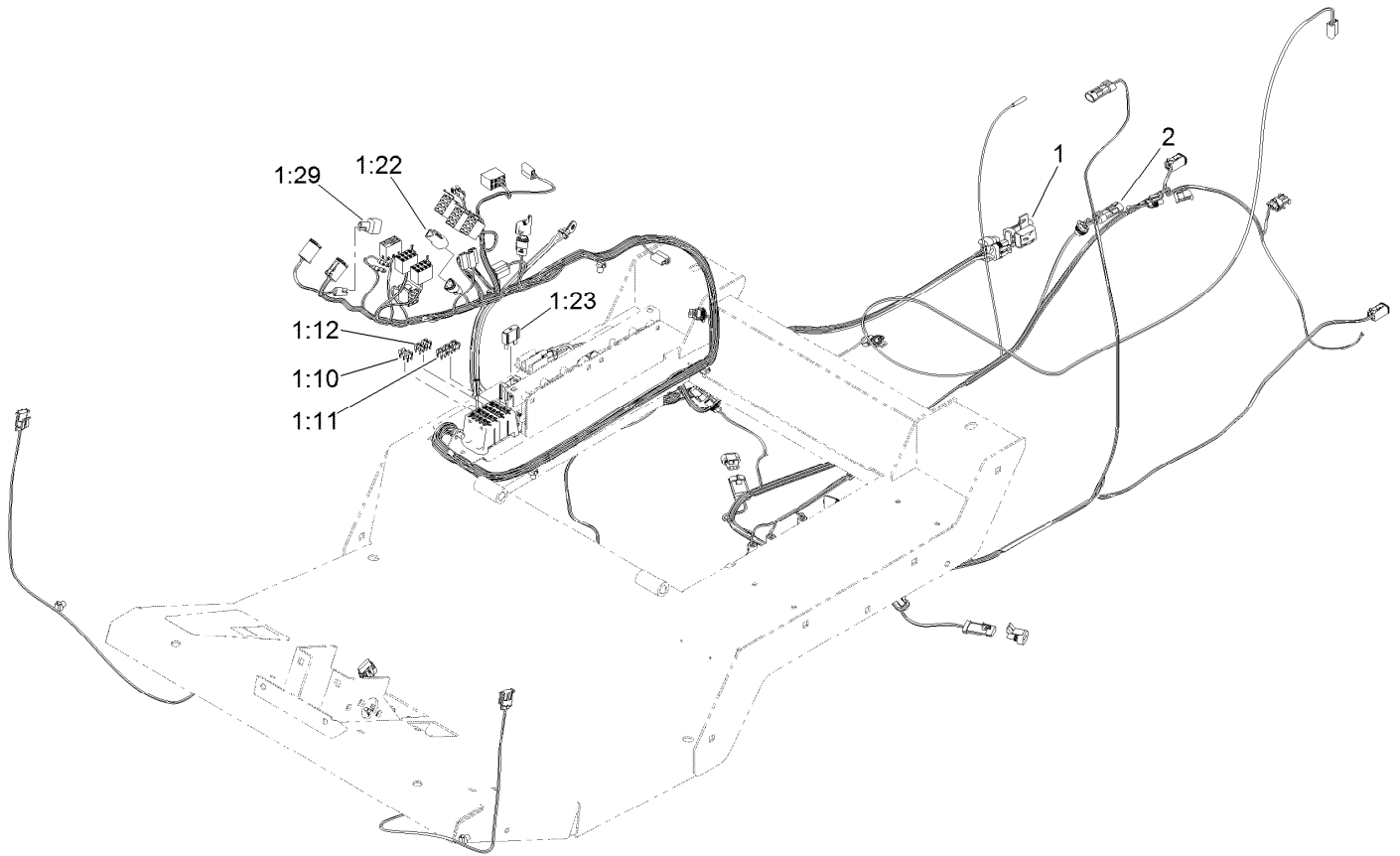
| <i>Ref.</i> | <i>Part Number</i> | <i>Qty.</i> | <i>Description</i> |
|-------------|--------------------|-------------|--------------------|
| 1           | 120-4114           | 1           | Fender-LH          |
| 2           | 121-1580-03        | 1           | Plate-Fender, LH   |
| 3           | 104-8301           | 4           | Nut-HF, NI         |
| 4           | 3231-25            | 4           | Bolt-CARR          |





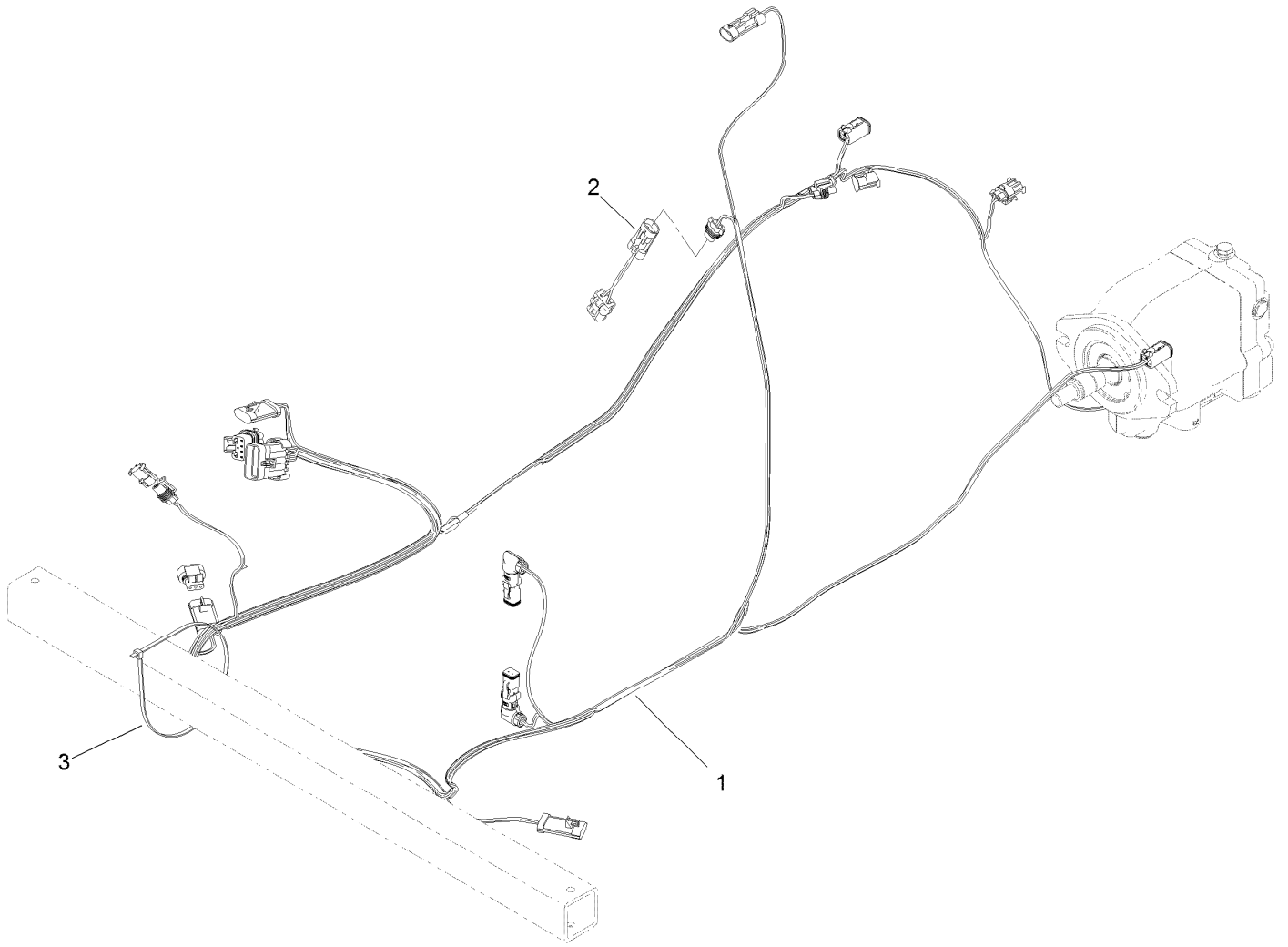
## Acoustic Foam, Panel and Cover Assembly

| <i>Ref.</i> | <i>Part Number</i> | <i>Qty.</i> | <i>Description</i> |
|-------------|--------------------|-------------|--------------------|
| 1           | 136-4386-03        | 1           | Cover-Controller   |
| 2           | 136-4378           | 1           | Foam-Cover, Top    |
| 3           | 136-4375           | 1           | Foam-Cover, Rear   |
| 4           | 136-4376           | 1           | Foam-Cover, Left   |
| 5           | 136-4436           | 1           | Decal-Fuses        |
| 6           | 136-4374           | 1           | Foam-Cover, Front  |
| 7           | 136-4377           | 1           | Foam-Cover, Right  |
| 8           | 120-0834           | 2           | Screw-HSBH         |
| 9           | 127-3696           | 1           | Foam-Seat          |
| 15          | 127-3708           | 1           | Foam-Right         |
| 19          | 136-4373-01        | 1           | Plate-Foot         |



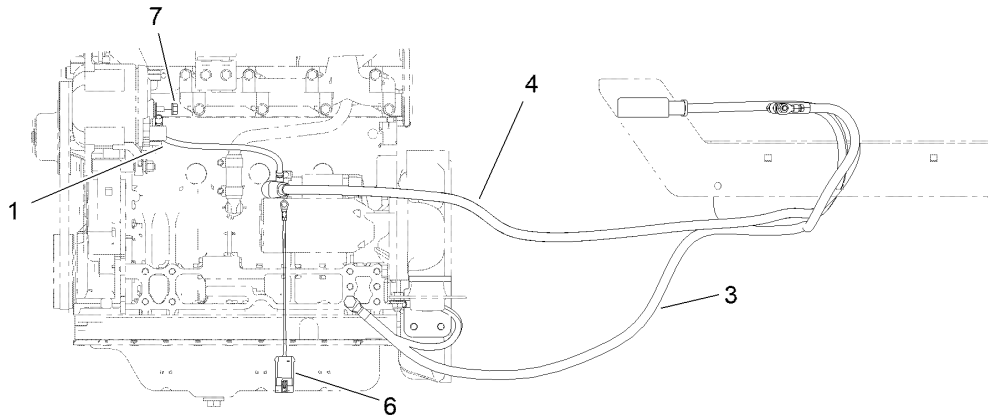
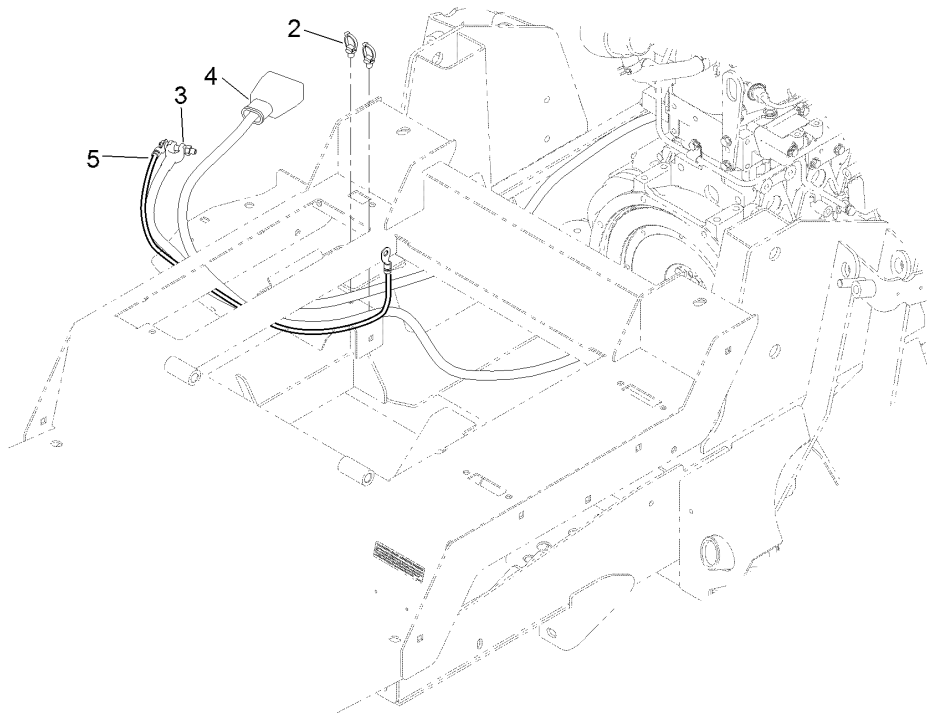
## Platform Wire Harness and Fuse Assembly

| <i>Ref.</i> | <i>Part Number</i> | <i>Qty.</i> | <i>Description</i>       |
|-------------|--------------------|-------------|--------------------------|
| 1           | 122-1530           | 1           | Harness-Wire, Platform   |
| 1:10        | 121-8861           | 3           | Fuse-Mini Blade, 2 Amp   |
| 1:11        | 121-8865           | 6           | Fuse-Mini Blade, 7.5 Amp |
| 1:12        | 121-8866           | 4           | Fuse-Mini Blade, 10 Amp  |
| 1:22        | 32180-043          | 1           | Resistor-120 Ohm         |
| 1:23        | 114-3342           | 1           | Fuse-Maxi, 60 Amp        |
| 1:29        | 104-4022           | 1           | Resistor-75 Ohm          |
| 2           | 122-0353           | 1           | Harness-Wire             |



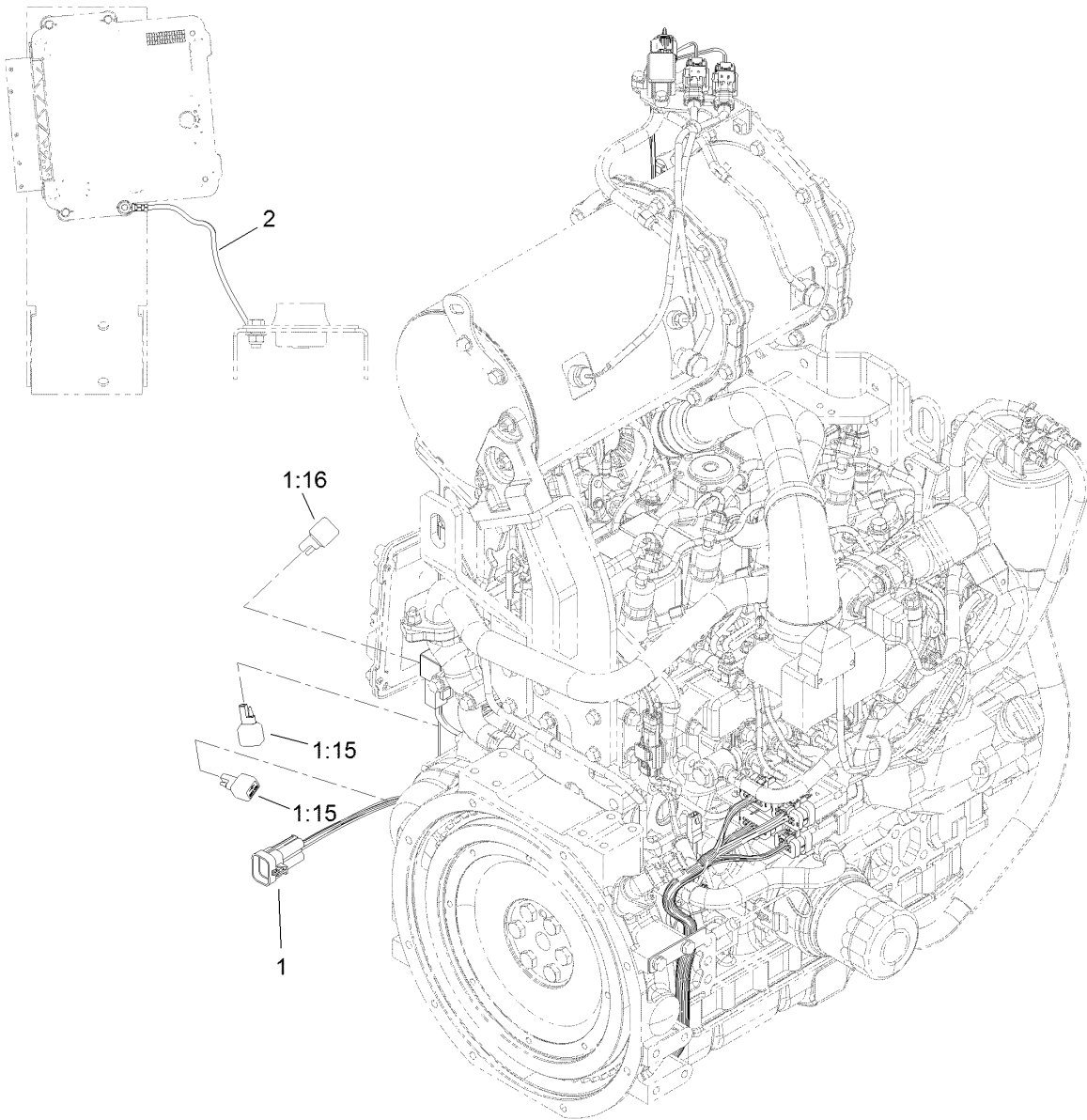
## Rear Wire Harness Assembly

| <i>Ref.</i> | <i>Part Number</i> | <i>Qty.</i> | <i>Description</i>              |
|-------------|--------------------|-------------|---------------------------------|
| 1           | 122-0974           | 1           | Harness-Wire, Rear              |
| 2           | 115-1931           | 1           | Harness-Wire, Fuel Pump Adapter |
| 3           | 3290-379           | 1           | Tie-Cable                       |



## Battery Cable and Ground Assembly

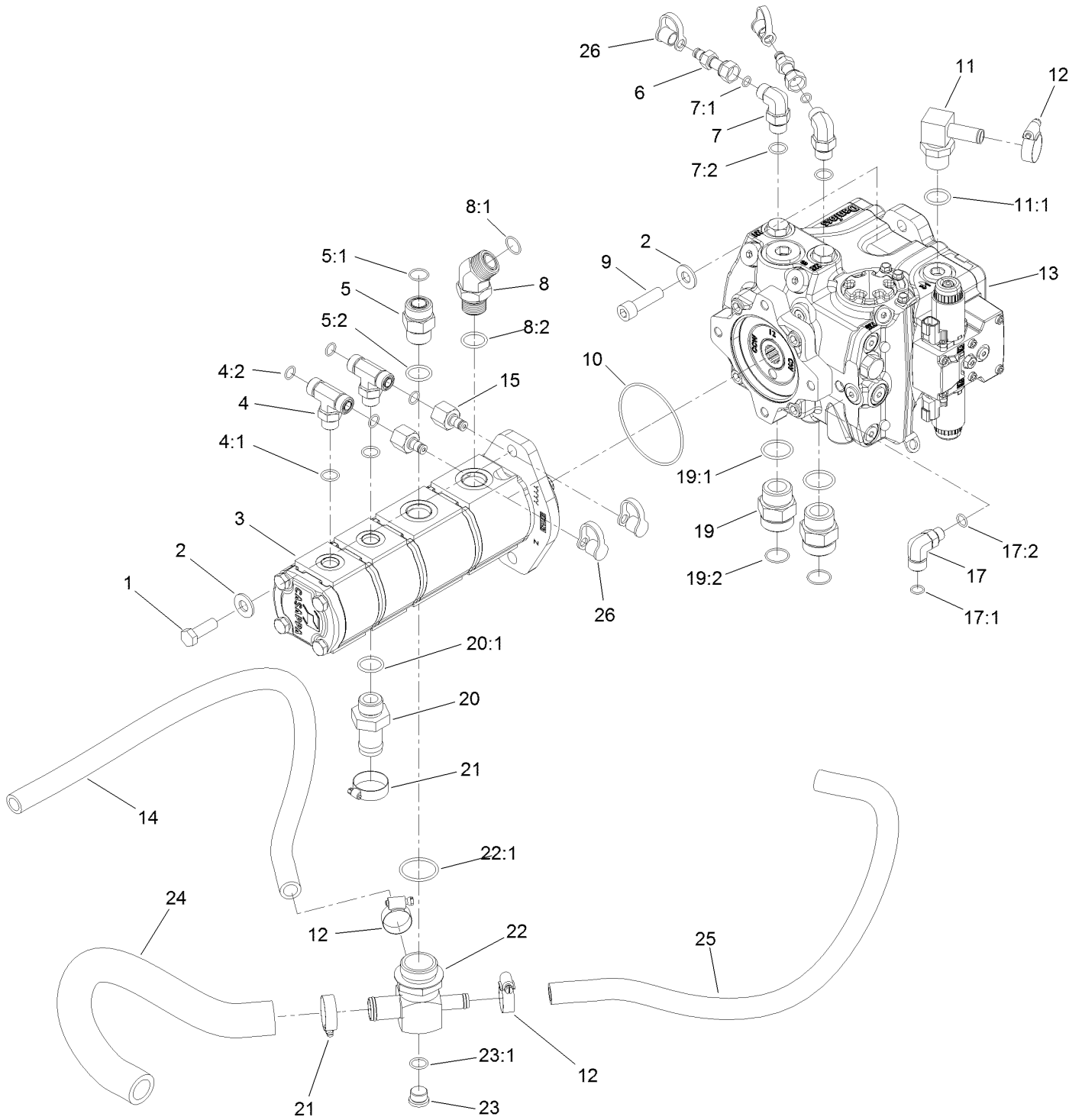
| Ref. | Part Number | Qty. | Description                |
|------|-------------|------|----------------------------|
| 1    | 122-0071    | 1    | Cable-Battery, Positive    |
| 2    | 32180-030   | 2    | Clip-Tie                   |
| 3    | 121-8898    | 1    | Cable-Battery, Negative    |
| 4    | 121-8897    | 1    | Cable-Battery, Positive    |
| 5    | 54-3094     | 1    | Cable                      |
| 6    | 108-9470    | 1    | Harness-Wire, Fusible Link |
| 7    | 33004-00    | 2    | Nut-HF                     |



## Engine Harness Assembly

| <i>Ref.</i> | <i>Part Number</i> | <i>Qty.</i> | <i>Description</i>   |
|-------------|--------------------|-------------|----------------------|
| 1           | 122-1569           | 1           | Harness-Wire, Engine |
| 1:15        | 100-4918           | 2           | Diode                |
| 1:16        | 121-8891           | 1           | Resistor (1.6K Ohm)  |
| 2           | 122-0057           | 1           | Harness-Wire, Ground |

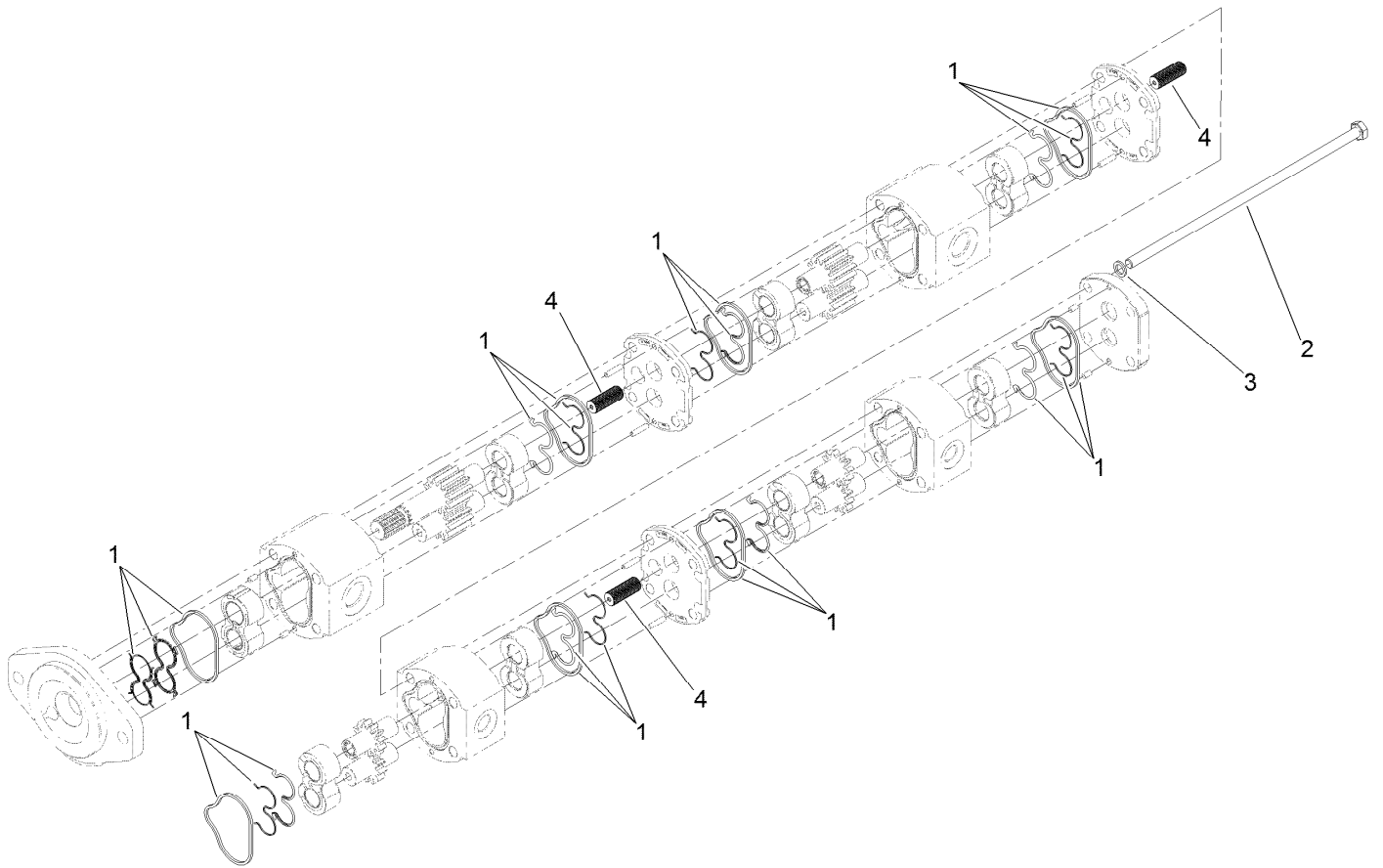
# Piston Pump and Gear Pump Assembly



## Piston Pump and Gear Pump Assembly (continued)

| <i>Ref.</i> | <i>Part Number</i> | <i>Qty.</i> | <i>Description</i>      | <i>Ref.</i> | <i>Part Number</i> | <i>Qty.</i> | <i>Description</i>  |
|-------------|--------------------|-------------|-------------------------|-------------|--------------------|-------------|---------------------|
| 1           | 121-1525           | 2           | Screw-HH                | 12          | 2412-129           | 3           | Clamp-Hose          |
| 2           | 137-5550           | 4           | Washer-Thrust           | 13          | 132-6100           | 1           | Pump-Piston         |
| 3           | 120-8904           | 1           | 4-Section Gear Pump ASM | 14          | 121-1647           | 1           | Hose-HYD            |
| 4           | 340-157            | 2           | Fitting-HYD, Tee        | 15          | 100-5616           | 2           | Fitting             |
| 4:1         | 237-79             | 1           | O-Ring                  | 17          | 340-99             | 1           | Fitting-HYD, 90 DEG |
| 4:2         | 237-30             | 2           | O-Ring                  | 17:1        | 237-30             | 1           | O-Ring              |
| 5           | 340-9              | 1           | Fitting-STR             | 17:2        | 237-42             | 1           | O-Ring              |
| 5:1         | 237-58             | 1           | O-Ring                  | 19          | 104-3797           | 2           | Fitting-Straight    |
| 5:2         | 237-81             | 1           | O-Ring                  | 19:1        | 237-146            | 1           | O-Ring              |
| 6           | 86-5480            | 2           | Nipple-Test             | 19:2        | 340-65             | 1           | O-Ring              |
| 7           | 340-18             | 2           | Fitting-HYD, 90 DEG     | 20          | 99-3017            | 1           | Fitting             |
| 7:1         | 237-79             | 1           | O-Ring                  | 20:1        | 237-81             | 1           | O-Ring              |
| 7:2         | 237-22             | 1           | O-Ring                  | 21          | 2412-34            | 2           | Clamp-Hose          |
| 8           | 100-5530           | 1           | Fitting-45 DEG          | 22          | 121-1682           | 1           | Fitting-Tee         |
| 8:1         | 237-58             | 1           | O-Ring                  | 22:1        | 237-101            | 1           | O-Ring              |
| 8:2         | 237-81             | 1           | O-Ring                  | 23          | 353-988            | 1           | Plug-Hex            |
| 9           | 131-0661           | 2           | Screw-HSH               | 23:1        | 237-79             | 1           | O-Ring              |
| 10          | 107-9447           | 1           | O-Ring                  | 24          | 120-8815           | 1           | Hose-Suction        |
| 11          | 136-4439           | 1           | Fitting-HYD, 90         | 25          | 120-9050           | 1           | Hose-HYD            |
| 11:1        | 237-81             | 1           | O-Ring                  | 26          | 354-79             | 4           | Cap-Dust            |

# 4-Section Gear Pump Assembly No. 120-8904



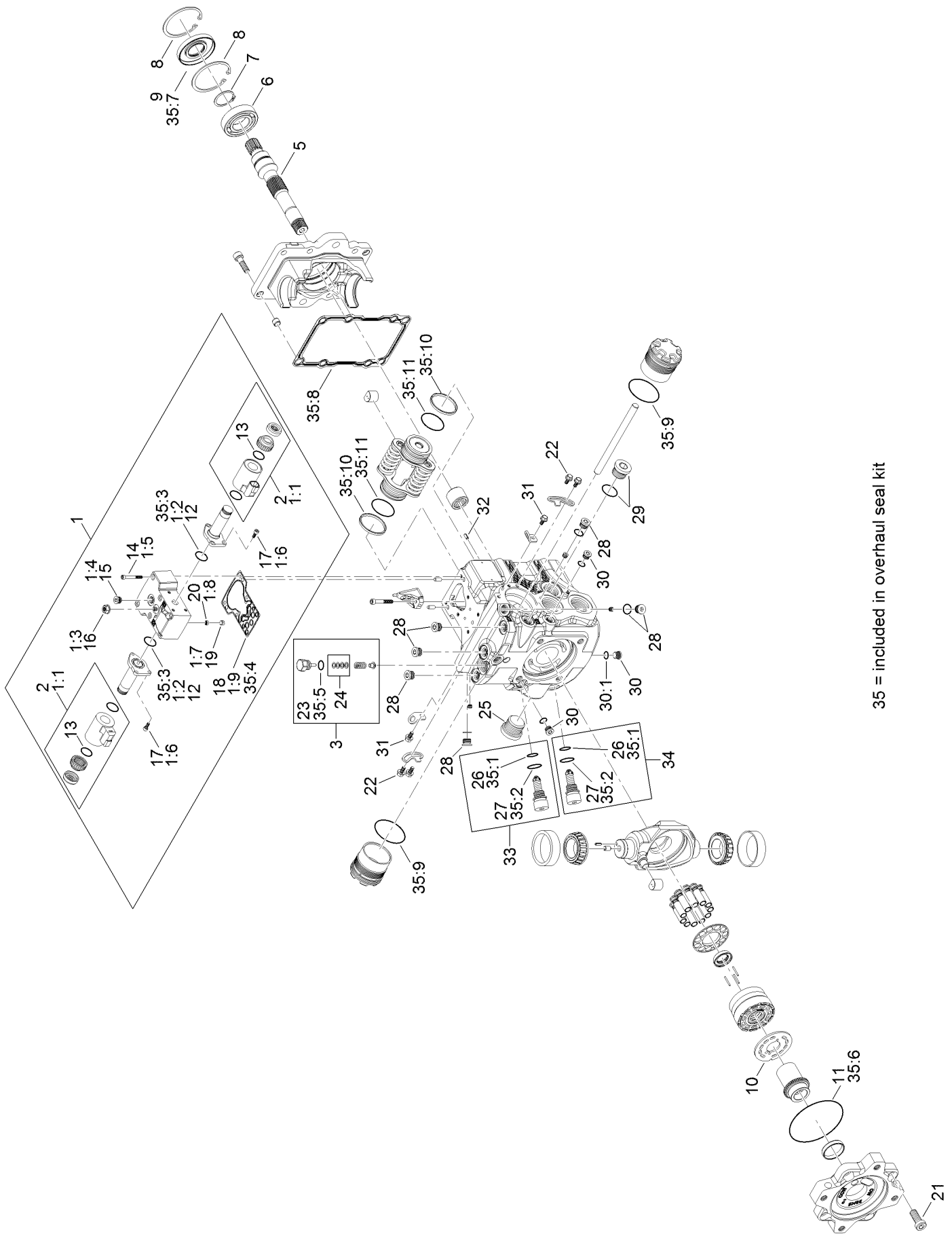


## 4-Section Gear Pump Assembly No. 120-8904 (continued)

| <i>Ref.</i> | <i>Part Number</i> | <i>Qty.</i> | <i>Description</i> |
|-------------|--------------------|-------------|--------------------|
| 1           | 115-3776           | 1           | Seal Kit           |
| 2           | 121-1721           | 4           | Bolt               |

| <i>Ref.</i> | <i>Part Number</i> | <i>Qty.</i> | <i>Description</i> |
|-------------|--------------------|-------------|--------------------|
| 3           | 121-1722           | 4           | Washer             |
| 4           | 120-6284           | 3           | Hub-Connecting     |

# Hydraulic Pump Assembly No. 132-6100

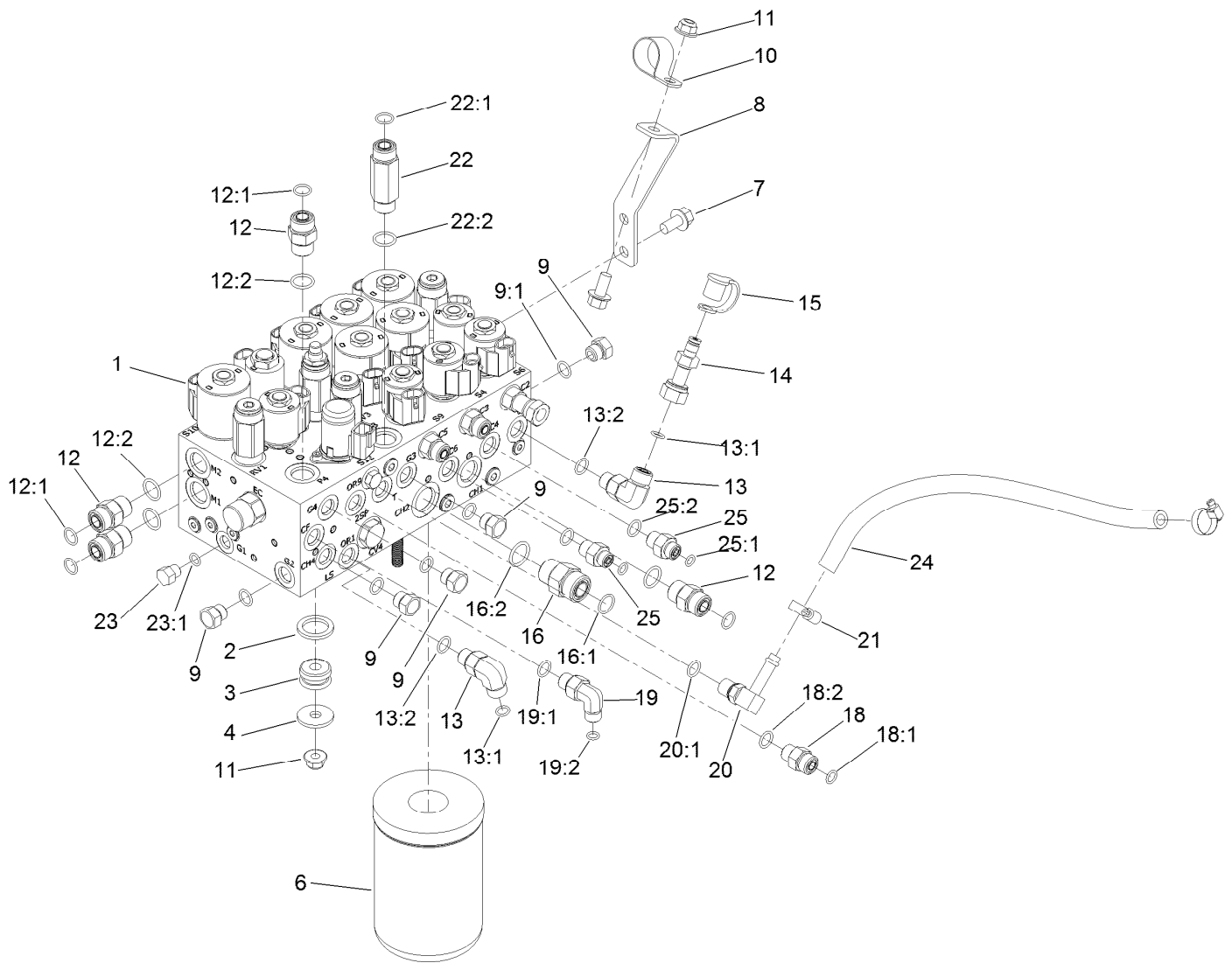


35 = included in overhaul seal kit

# Hydraulic Pump Assembly No. 132-6100 (continued)

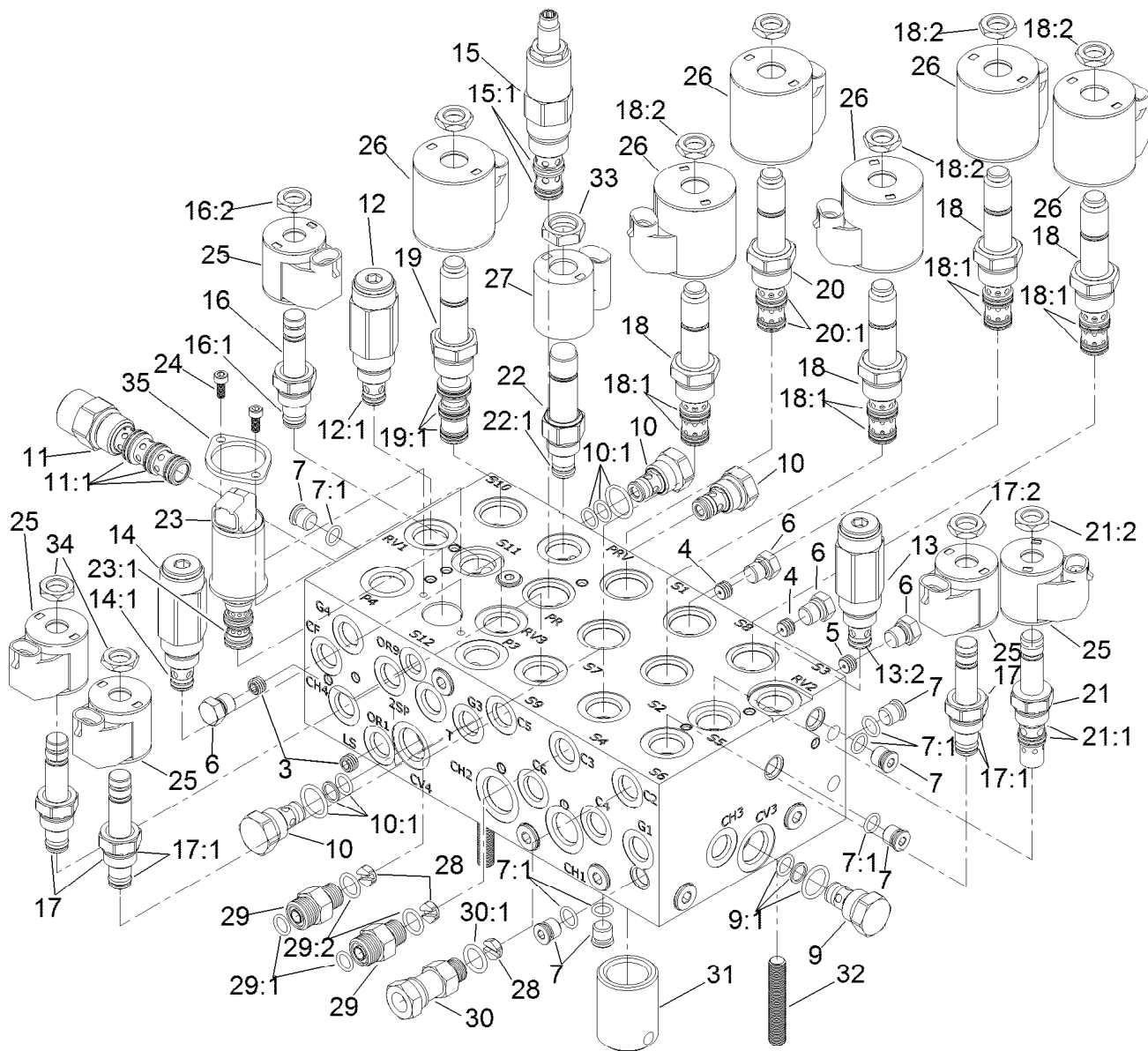
| <i>Ref.</i> | <i>Part Number</i> | <i>Qty.</i> | <i>Description</i> | <i>Ref.</i> | <i>Part Number</i> | <i>Qty.</i> | <i>Description</i>          |
|-------------|--------------------|-------------|--------------------|-------------|--------------------|-------------|-----------------------------|
| 1           | 132-6203           | 1           | Control Kit        | 21          | 125-5282           | 4           | Screw                       |
| 1:1         | 132-6204           | 2           | Coil Kit           | 22          | 125-5270           | 4           | Screw                       |
| 1:2         | 125-5288           | 2           | O-Ring             | 23          | 125-5298           | 1           | O-Ring                      |
| 1:3         | 125-5273           | 1           | Nut-Seal           | 24          | 92-1353            | 1           | Shim Kit                    |
| 1:4         | 125-5302           | 1           | Plug               | 25          | 125-5301           | 1           | Plug                        |
| 1:5         | 125-5274           | 6           | Screw              | 26          | 75-0240            | 2           | O-Ring                      |
| 1:6         | 125-5272           | 6           | Screw              | 27          | 84-0560            | 2           | O-Ring                      |
| 1:7         | 125-5269           | 1           | Ring-Locking       | 28          | 69-3080            | 6           | Plug                        |
| 1:8         | 125-5266           | 1           | Screen             | 29          | 69-3130            | 1           | Plug                        |
| 1:9         | 125-5283           | 1           | Gasket-Control     | 30          | 75-0170            | 3           | Plug-Thread, Straight       |
| 2           | 132-6204           | 2           | Coil Kit           | 30:1        | 92-8777            | 1           | O-Ring                      |
| 3           | 136-4397           | 1           | Charge Relief Kit  | 31          | 125-5270           | 2           | Screw                       |
| 5           | 136-4399           | 1           | Shaft              | 32          | 110-6485           | 1           | Pin-Slotted                 |
| 6           | 75-0460            | 1           | Bearing-Ball       | 33          | 136-4393           | 1           | Valve-Relief, High Pressure |
| 7           | 125-5280           | 1           | Ring-Retaining     | 34          | 136-4392           | 1           | Valve-Relief, High Pressure |
| 8           | 131-8616           | 2           | Ring-Retaining     | 35          | 132-6205           | 1           | Overhaul Seal Kit           |
| 9           | 127-6214           | 1           | Seal-Lip           | 35:1        | 75-0240            | 2           | O-Ring                      |
| 10          | 136-4398           | 1           | Valve Plate        | 35:2        | 84-0560            | 2           | O-Ring                      |
| 11          | 132-6206           | 1           | O-Ring             | 35:3        | 125-5288           | 2           | O-Ring                      |
| 12          | 125-5288           | 2           | O-Ring             | 35:4        | 125-5283           | 1           | Gasket-Control              |
| 13          | 131-7388           | 2           | O-Ring             | 35:5        | 125-5298           | 1           | O-Ring                      |
| 14          | 125-5274           | 6           | Screw              | 35:6        | 132-6206           | 1           | O-Ring                      |
| 15          | 125-5302           | 1           | Plug               | 35:7        | 127-6214           | 1           | Seal-Lip                    |
| 16          | 125-5273           | 1           | Nut-Seal           | 35:8        |                    | 1           | Gasket ●                    |
| 17          | 125-5272           | 6           | Screw              | 35:9        |                    | 2           | O-Ring ●                    |
| 18          | 125-5283           | 1           | Gasket-Control     | 35:10       |                    | 2           | Piston Ring ●               |
| 19          | 125-5269           | 1           | Ring-Locking       | 35:11       |                    | 2           | O-Ring ●                    |
| 20          | 125-5266           | 1           | Screen             |             |                    |             |                             |

● Not serviced separately



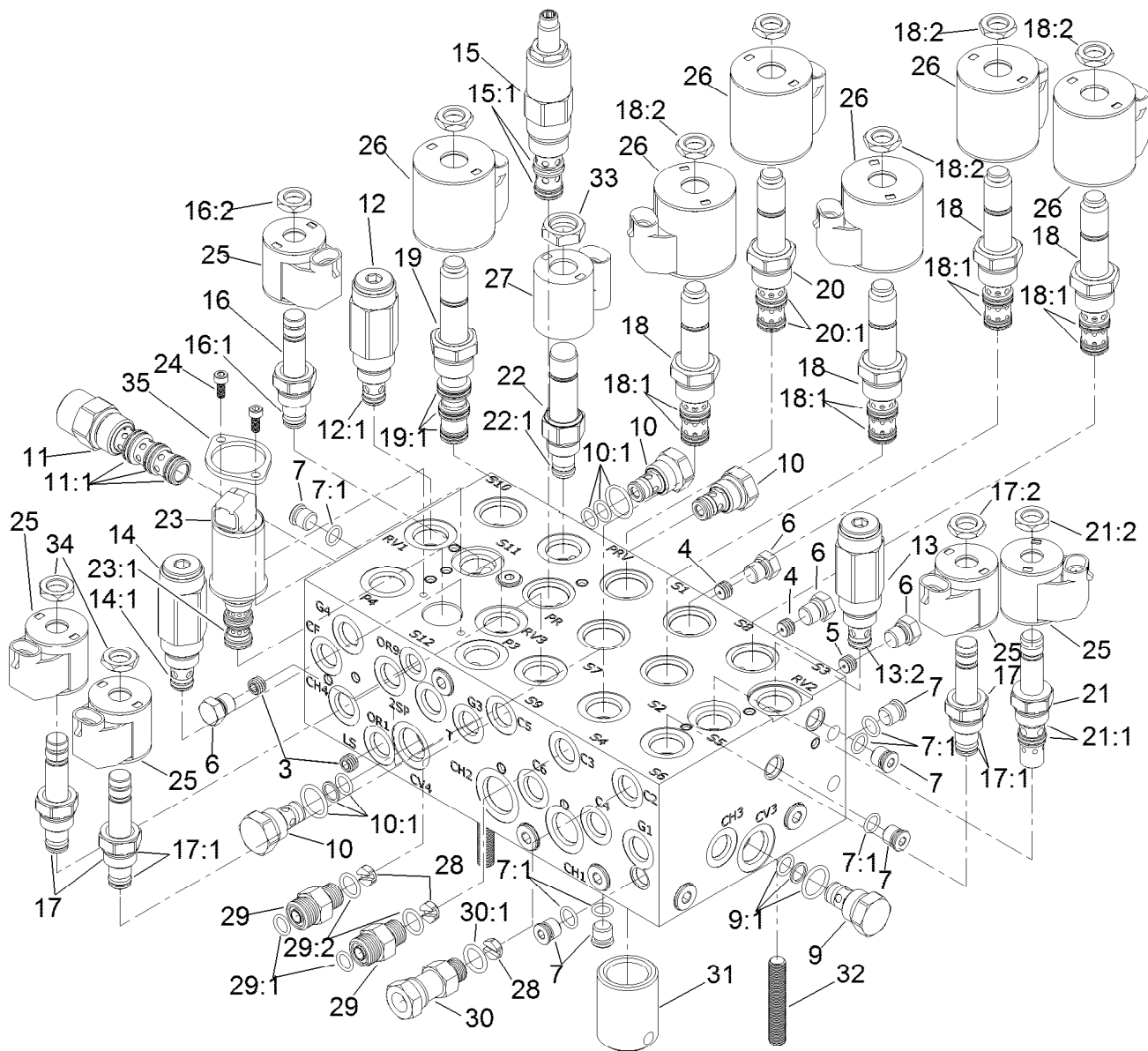
## Combination Manifold Assembly

| Ref. | Part Number | Qty. | Description           | Ref. | Part Number | Qty. | Description           |
|------|-------------|------|-----------------------|------|-------------|------|-----------------------|
| 1    | 137-5582    | 1    | Manifold-Combination  | 16:2 | 237-80      | 1    | O-Ring                |
| 2    | 92-2650     | 3    | Spacer-Clutch         | 18   | 340-2       | 1    | Fitting-Straight      |
| 3    | 63-9750     | 3    | Mount                 | 18:1 | 237-22      | 1    | O-Ring                |
| 4    | 63-8410     | 3    | Washer                | 18:2 | 237-42      | 1    | O-Ring                |
| 6    | 75-1310     | 1    | Filter-HYD            | 19   | 340-82      | 1    | Fitting-Elbow, 90 DEG |
| 7    | 3234-1      | 3    | Screw-HHF             | 19:1 | 237-42      | 1    | O-Ring                |
| 8    | 121-1542    | 1    | Plate-Mount, Hose     | 19:2 | 237-21      | 1    | O-Ring                |
| 9    | 353-508     | 5    | Plug-HH               | 20   | 100-4887    | 1    | Fitting-Elbow, 90     |
| 9:1  | 237-42      | 1    | O-Ring                | 20:1 | 237-42      | 1    | O-Ring                |
| 10   | 2412-126    | 1    | R-Clamp               | 21   | 2412-36     | 2    | Clamp-Hose            |
| 11   | 104-8301    | 4    | Nut-HF, NI            | 22   | 119-4854    | 1    | Fitting-STR           |
| 12   | 340-4       | 4    | Fitting-Straight      | 22:1 | 237-30      | 1    | O-Ring                |
| 12:1 | 237-30      | 1    | O-Ring                | 22:2 | 237-79      | 1    | O-Ring                |
| 12:2 | 237-79      | 1    | O-Ring                | 23   | 353-512     | 1    | Plug                  |
| 13   | 340-77      | 2    | Fitting-Elbow, 90 DEG | 23:1 | 237-78      | 1    | O-Ring                |
| 13:1 | 237-22      | 1    | O-Ring                | 24   | 87-5730     | 1    | Hose                  |
| 13:2 | 237-42      | 1    | O-Ring                | 25   | 340-1       | 2    | Fitting-Straight      |
| 14   | 86-5480     | 1    | Nipple-Test           | 25:1 | 237-21      | 1    | O-Ring                |
| 15   | 354-79      | 1    | Cap-Dust              | 25:2 | 237-42      | 1    | O-Ring                |
| 16   | 340-7       | 1    | Fitting-Straight      |      |             |      |                       |
| 16:1 | 237-65      | 1    | O-Ring                |      |             |      |                       |



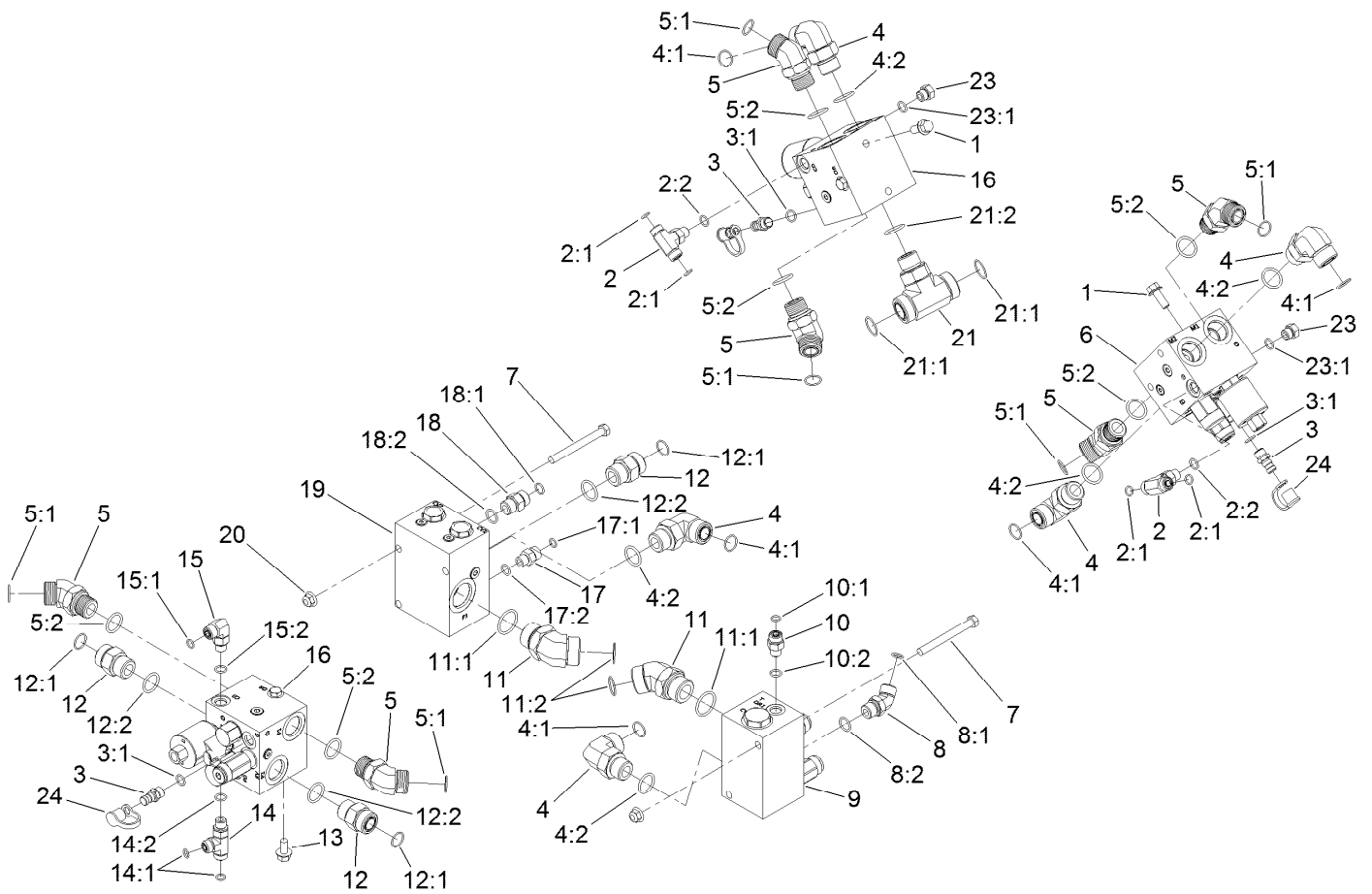
## Combination Manifold Assembly No. 137-5582

| Ref. | Part Number | Qty. | Description             | Ref. | Part Number | Qty. | Description                      |
|------|-------------|------|-------------------------|------|-------------|------|----------------------------------|
| 3    | 136-4363    | 2    | Orifice-0.028           | 16:1 | 105-9156    | 1    | Seal Kit                         |
| 4    | 112-6538    | 2    | Orifice (.063 Inch)     | 16:2 | 110-2634    | 1    | Nut-Coil                         |
| 5    | 110-8883    | 1    | Plug-Orifice (0.040)    | 17   | 112-9206    | 3    | Solenoid Valve ASM               |
| 6    | 117-0115    | 4    | Plug                    | 17:1 | 105-9156    | 1    | Seal Kit                         |
| 7    | 353-990     | 14   | Plug ASM                | 17:2 | 110-2634    | 1    | Nut-Coil                         |
| 7:1  | 237-78      | 1    | O-Ring                  | 18   | 115-5400    | 4    | Solenoid Valve ASM               |
| 9    | 114-2873    | 1    | Check Valve ASM         | 18:1 | 107-7813    | 1    | Seal Kit                         |
| 9:1  | 105-9156    | 1    | Seal Kit                | 18:2 | 110-2634    | 1    | Nut-Coil                         |
| 10   | 105-9321    | 3    | Check Valve ASM         | 19   | 115-3023    | 1    | Solenoid Valve ASM               |
| 10:1 | 105-9156    | 1    | Seal Kit                | 19:1 | 110-8908    | 1    | Spool Valve Seal Kit             |
| 11   | 115-5409    | 1    | Compensator ASM         | 20   | 125-7556    | 1    | Solenoid Valve ASM               |
| 11:1 | 110-8908    | 1    | Spool Valve Seal Kit    | 20:1 | 107-7813    | 1    | Seal Kit                         |
| 12   | 125-7560    | 1    | Relief Valve ASM        | 21   | 115-5405    | 1    | Solenoid Valve ASM               |
| 12:1 | 105-9156    | 1    | Seal Kit                | 21:1 | 115-5413    | 1    | Seal Kit                         |
| 13   | 105-9844    | 1    | Valve-Relief            | 21:2 | 110-2634    | 1    | Nut-Coil                         |
| 13:2 | 105-9156    | 1    | Seal Kit                | 22   | 125-7555    | 1    | Proportional Relief Valve ASM    |
| 14   | 125-7558    | 1    | Relief Valve ASM        | 22:1 | 110-6316    | 1    | Seal Kit                         |
| 14:1 | 105-9156    | 1    | Seal Kit                | 23   | 138-3828    | 1    | Valve-Solenoid, 3 Way 2 Position |
| 15   | 127-3663    | 1    | Valve-Pressure Reducing | 23:1 | 138-3831    | 1    | Seal Kit                         |
| 15:1 | 105-9154    | 1    | Seal Kit                |      |             |      |                                  |
| 16   | 107-7516    | 1    | Solenoid Valve ASM      |      |             |      |                                  |



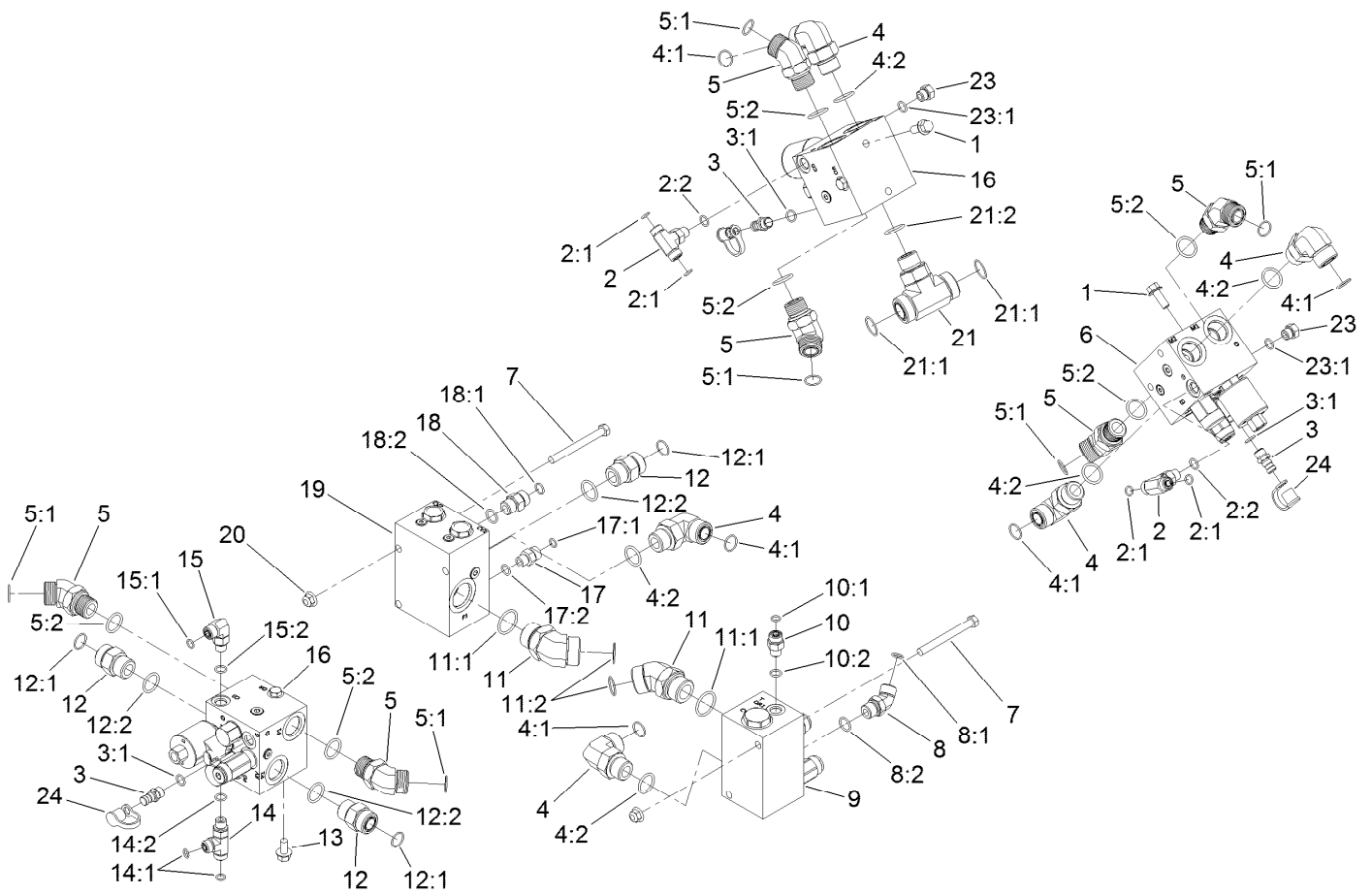
## Combination Manifold Assembly No. 137-5582 (continued)

| Ref. | Part Number | Qty. | Description             | Ref. | Part Number | Qty. | Description                |
|------|-------------|------|-------------------------|------|-------------|------|----------------------------|
| 24   | 138-3827    | 2    | Screw                   | 30   | 104-3779    | 1    | Connector-Swivel, Straight |
| 25   | 110-0497    | 5    | Coil-Solenoid           | 30:1 | 237-42      | 1    | O-Ring                     |
| 26   | 110-6344    | 6    | Coil-12V, DC            | 31   | 125-7551    | 1    | Nipple-Filter              |
| 27   | 125-7553    | 1    | E-Coil, 12Vdc           | 32   | 130-2661    | 3    | Stud-Manifold              |
| 28   | 125-7552    | 3    | Orifice-Check, .070 DIA | 33   | 125-7550    | 1    | Nut-Coil                   |
| 29   | 340-2       | 2    | Fitting-Straight        | 34   | 110-2634    | 11   | Nut-Coil                   |
| 29:1 | 237-22      | 1    | O-Ring                  | 35   | 138-3825    | 1    | Plate-Mounting, Standard   |
| 29:2 | 237-42      | 1    | O-Ring                  |      |             |      |                            |



## Manifold Block Assembly

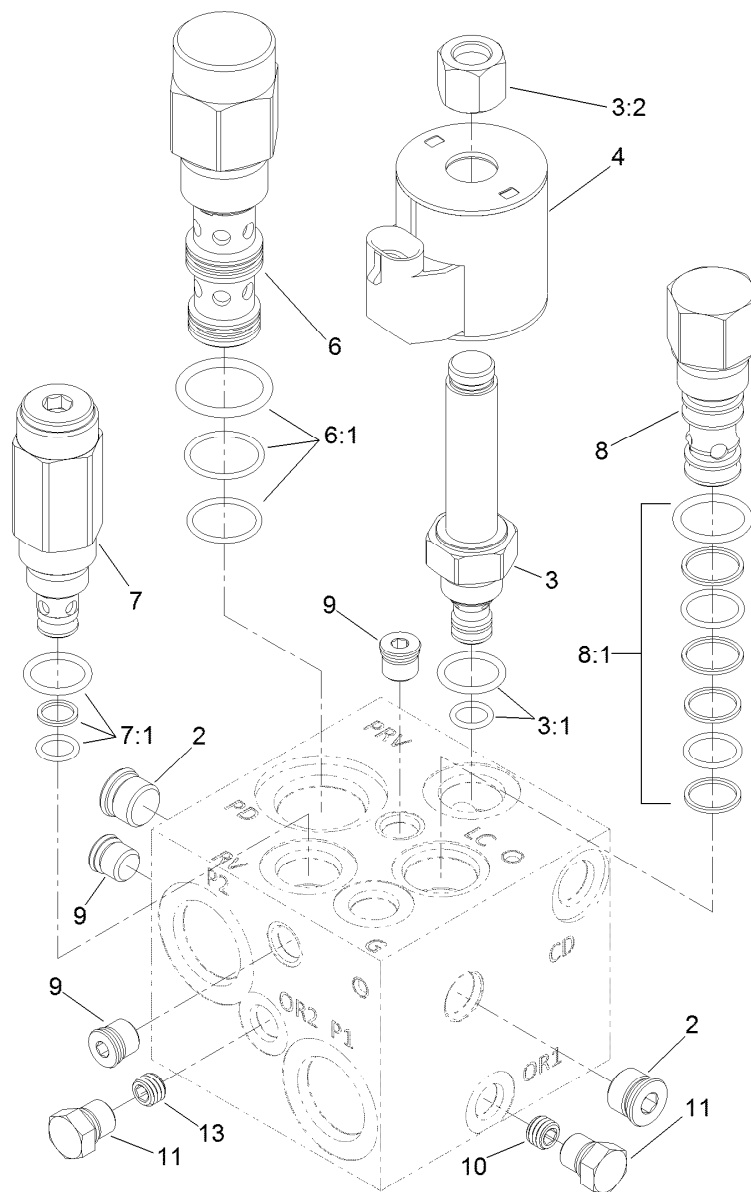
| Ref. | Part Number | Qty. | Description             | Ref. | Part Number | Qty. | Description                          |
|------|-------------|------|-------------------------|------|-------------|------|--------------------------------------|
| 1    | 3234-11     | 4    | Screw-HHF               | 11   | 104-3509    | 2    | Fitting-HYD, 45 DEG                  |
| 2    | 340-94      | 2    | Adapter                 | 11:1 | 237-146     | 1    | O-Ring                               |
| 2:1  | 237-22      | 2    | O-Ring                  | 11:2 | 340-65      | 1    | O-Ring                               |
| 2:2  | 237-42      | 1    | O-Ring                  | 12   | 340-9       | 3    | Fitting-STR                          |
| 3    | 59-7410     | 3    | Fitting-Diagnostic      | 12:1 | 237-58      | 1    | O-Ring                               |
| 3:1  | 237-42      | 1    | O-Ring                  | 12:2 | 237-81      | 1    | O-Ring                               |
| 4    | 340-142     | 5    | Fitting-Elbow, 90 DEG   | 13   | 3234-1      | 2    | Screw-HHF                            |
| 4:1  | 237-58      | 1    | O-Ring                  | 14   | 340-86      | 1    | Fitting-Tee                          |
| 4:2  | 237-81      | 1    | O-Ring                  | 14:1 | 237-22      | 2    | O-Ring                               |
| 5    | 100-5530    | 6    | Fitting-45 DEG          | 14:2 | 237-42      | 1    | O-Ring                               |
| 5:1  | 237-58      | 1    | O-Ring                  | 15   | 340-77      | 1    | Fitting-Elbow, 90 DEG                |
| 5:2  | 237-81      | 1    | O-Ring                  | 15:1 | 237-22      | 1    | O-Ring                               |
| 6    | 131-1249    | 1    | Manifold-PTO, Left      | 15:2 | 237-42      | 1    | O-Ring                               |
| 7    | 323-42      | 4    | Screw-HH                | 16   | 131-1248    | 2    | Center And Right PTO<br>Manifold ASM |
| 8    | 340-101     | 1    | Fitting-HYD, 45 DEG     | 17   | 92-9258     | 1    | Adapter-Check                        |
| 8:1  | 237-30      | 1    | O-Ring                  | 17:1 | 237-22      | 1    | O-Ring                               |
| 8:2  | 237-79      | 1    | O-Ring                  | 17:2 | 237-42      | 1    | O-Ring                               |
| 9    | 121-1530    | 1    | Manifold-Traction, Rear | 18   | 100-4890    | 1    | Fitting-Check                        |
| 10   | 340-2       | 1    | Fitting-Straight        | 18:1 | 237-79      | 1    | O-Ring                               |
| 10:1 | 237-22      | 1    | O-Ring                  | 18:2 | 237-30      | 1    | O-Ring                               |
| 10:2 | 237-42      | 1    | O-Ring                  |      |             |      |                                      |



## Manifold Block Assembly (continued)

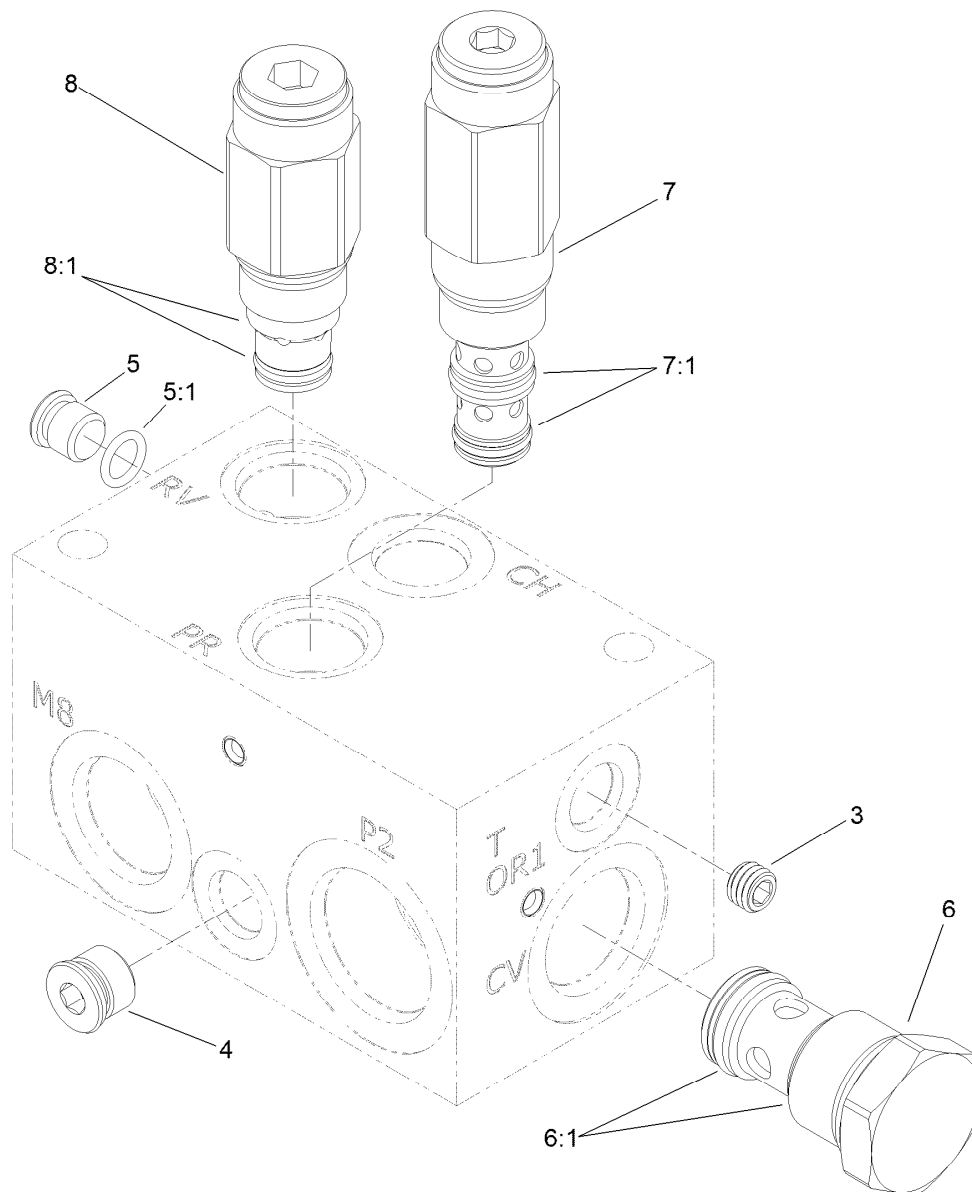
| <i>Ref.</i> | <i>Part Number</i> | <i>Qty.</i> | <i>Description</i>        | <i>Ref.</i> | <i>Part Number</i> | <i>Qty.</i> | <i>Description</i> |
|-------------|--------------------|-------------|---------------------------|-------------|--------------------|-------------|--------------------|
| 19          | 121-1550           | 1           | Flow Divider Manifold ASM | 21:2        | 237-81             | 1           | O-Ring             |
| 20          | 104-8301           | 4           | Nut-HF, NI                | 23          | 353-508            | 2           | Plug-HH            |
| 21          | 120-8825           | 1           | Fitting-Tee               | 23:1        | 237-42             | 1           | O-Ring             |
| 21:1        | 340-65             | 2           | O-Ring                    | 24          | 354-79             | 3           | Cap-Dust           |





## Left PTO Manifold Assembly No. 131-1249

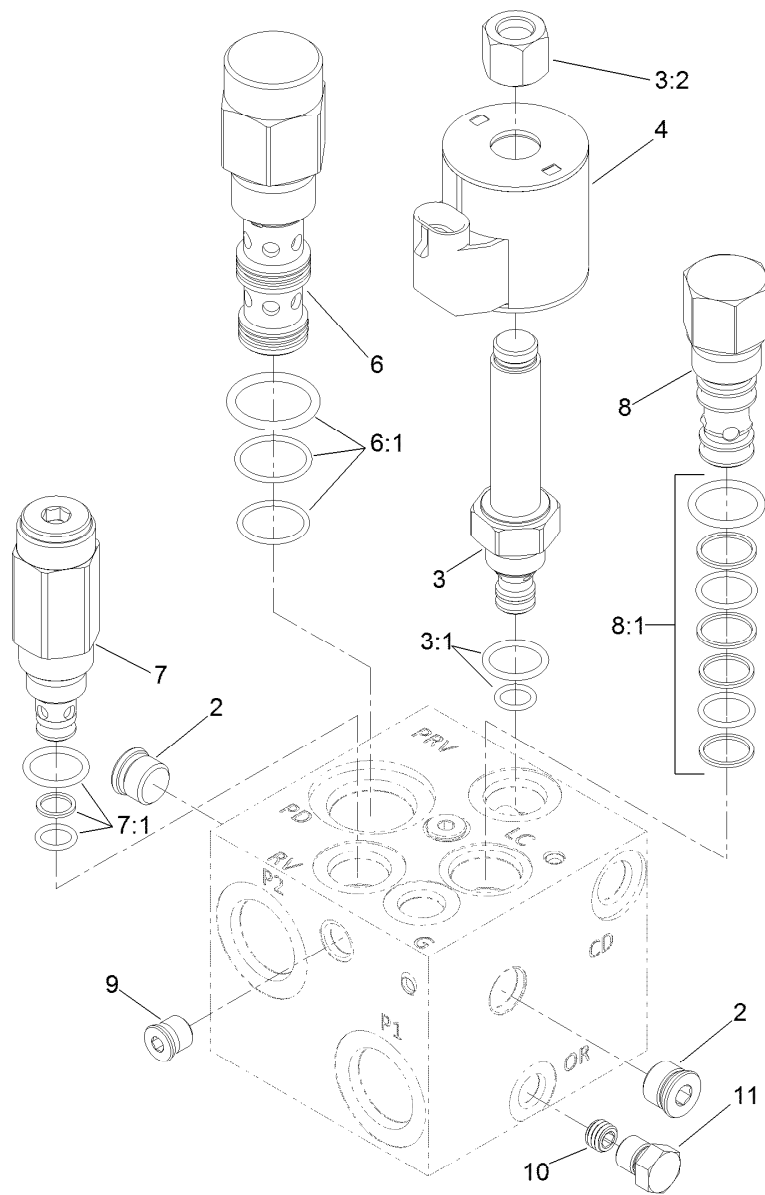
| Ref. | Part Number | Qty. | Description                |
|------|-------------|------|----------------------------|
| 2    | 112-9213    | 2    | Plug                       |
| 3    | 117-0227    | 1    | Valve-Relief, Proportional |
| 3:1  | 105-9156    | 1    | Seal Kit                   |
| 3:2  | 130-8180    | 1    | Nut-Coil (9/16-24 Unef-2B) |
| 4    | 110-6344    | 1    | Coil-12V, DC               |
| 6    | 125-4327    | 1    | Valve-Directional, Pilot   |
| 6:1  | 114-5515    | 1    | Seal Kit                   |
| 7    | 114-5512    | 1    | Valve-Relief, 600 PSI      |
| 7:1  | 105-9156    | 1    | Seal Kit                   |
| 8    | 105-9153    | 1    | Element-Logic, Vented      |
| 8:1  | 119-2159    | 1    | Seal Kit                   |
| 9    | 112-9212    | 3    | Plug                       |
| 10   | 117-8315    | 1    | Orifice (.025 Inch)        |
| 11   | 117-0115    | 2    | Plug                       |
| 13   | 112-6538    | 1    | Orifice (.063 Inch)        |



## Rear Traction Manifold Assembly No. 121-1530

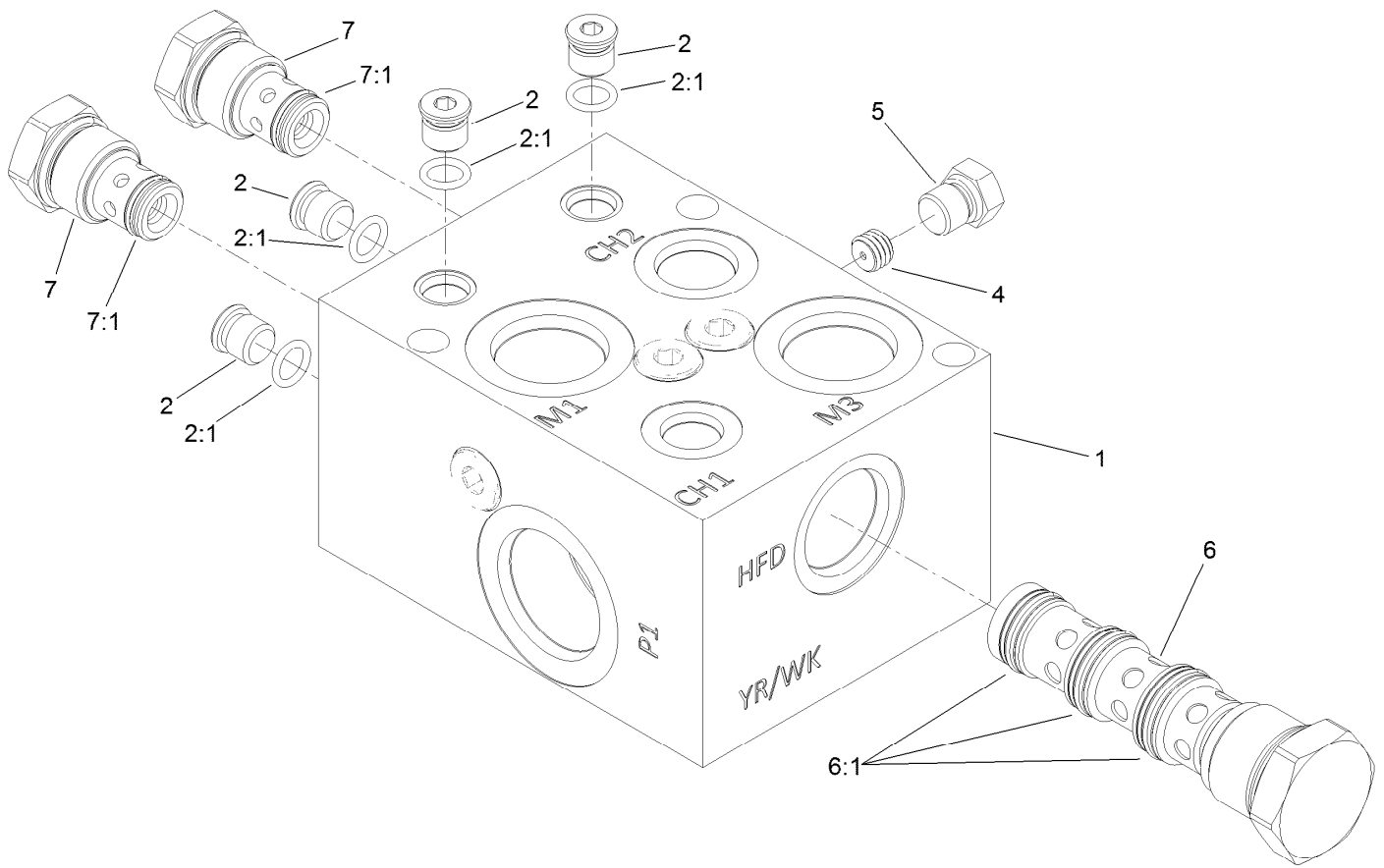
| <i>Ref.</i> | <i>Part Number</i> | <i>Qty.</i> | <i>Description</i>        |
|-------------|--------------------|-------------|---------------------------|
| 3           | 110-0495           | 1           | Plug-Orifice (0.050 Inch) |
| 4           |                    | 1           | Plug ●                    |
| 5           | 353-990            | 1           | Plug ASM                  |
| 5:1         | 237-78             | 1           | O-Ring                    |
| 6           | 125-4328           | 1           | Valve-Check               |
| 6:1         | 125-4336           | 1           | Seal Kit                  |
| 7           | 136-4362           | 1           | Valve-Reducing            |
| 7:1         | 136-4361           | 1           | Seal Kit                  |
| 8           | 125-4331           | 1           | Valve-Relief              |
| 8:1         | 110-6316           | 1           | Seal Kit                  |

● Not serviced separately



## Center and Right PTO Manifold Assembly No. 131-1248

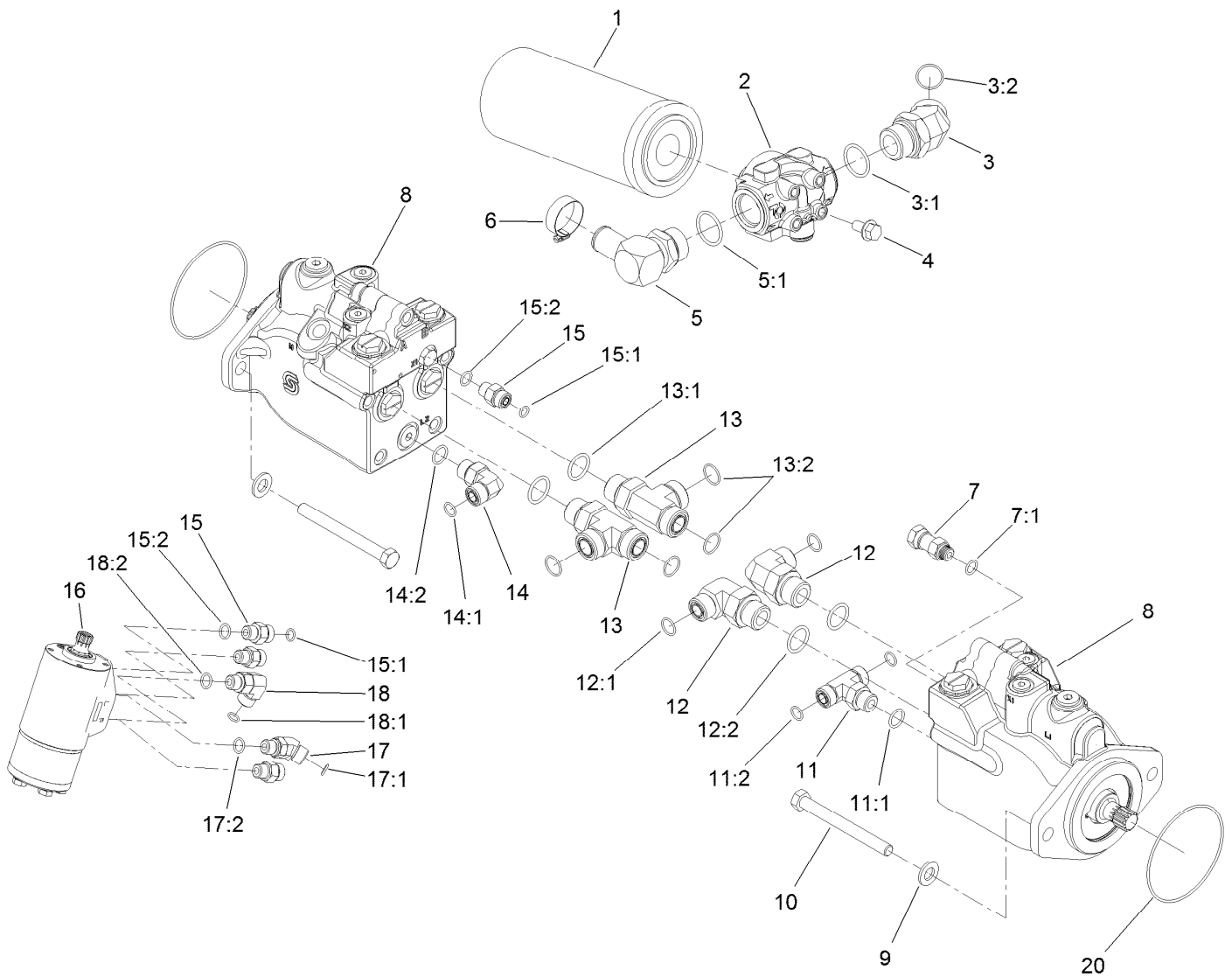
| Ref. | Part Number | Qty. | Description                |
|------|-------------|------|----------------------------|
| 2    | 112-9213    | 2    | Plug                       |
| 3    | 117-0227    | 1    | Valve-Relief, Proportional |
| 3:1  | 105-9156    | 1    | Seal Kit                   |
| 3:2  | 130-8180    | 1    | Nut-Coil (9/16-24 Unef-2B) |
| 4    | 110-6344    | 1    | Coil-12V, DC               |
| 6    | 125-4327    | 1    | Valve-Directional, Pilot   |
| 6:1  | 114-5515    | 1    | Seal Kit                   |
| 7    | 114-5512    | 1    | Valve-Relief, 600 PSI      |
| 7:1  | 105-9156    | 1    | Seal Kit                   |
| 8    | 105-9153    | 1    | Element-Logic, Vented      |
| 8:1  | 119-2159    | 1    | Seal Kit                   |
| 9    | 112-9212    | 3    | Plug                       |
| 10   | 117-8315    | 1    | Orifice (.025 Inch)        |
| 11   | 117-0115    | 1    | Plug                       |



## Flow Divider Manifold Assembly No. 121-1550

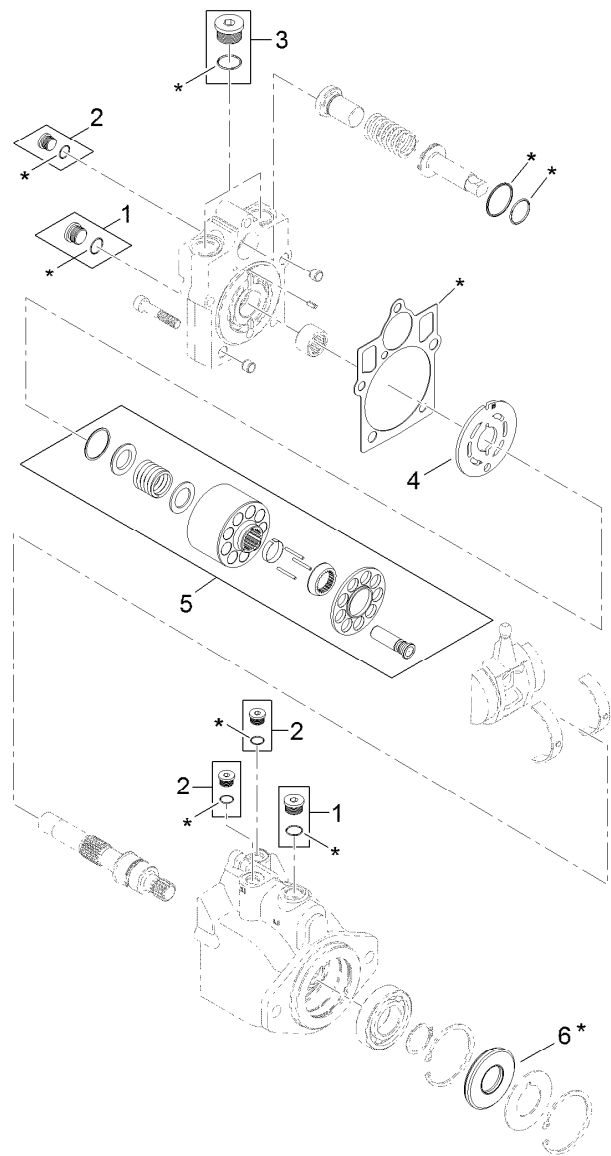
| Ref. | Part Number | Qty. | Description         |
|------|-------------|------|---------------------|
| 1    |             | 1    | Manifold Block ●    |
| 2    | 353-990     | 4    | Plug ASM            |
| 2:1  | 237-78      | 1    | O-Ring              |
| 4    | 112-6538    | 1    | Orifice (.063 Inch) |
| 5    | 117-0115    | 1    | Plug                |
| 6    | 125-4332    | 1    | Valve-Flow Divider  |
| 6:1  | 125-4338    | 1    | Seal Kit            |
| 7    | 125-4333    | 2    | Valve-Check         |
| 7:1  | 125-4337    | 1    | Seal Kit            |

● Not serviced separately



## Drive Motor, Steer Valve and Filter Head Assembly

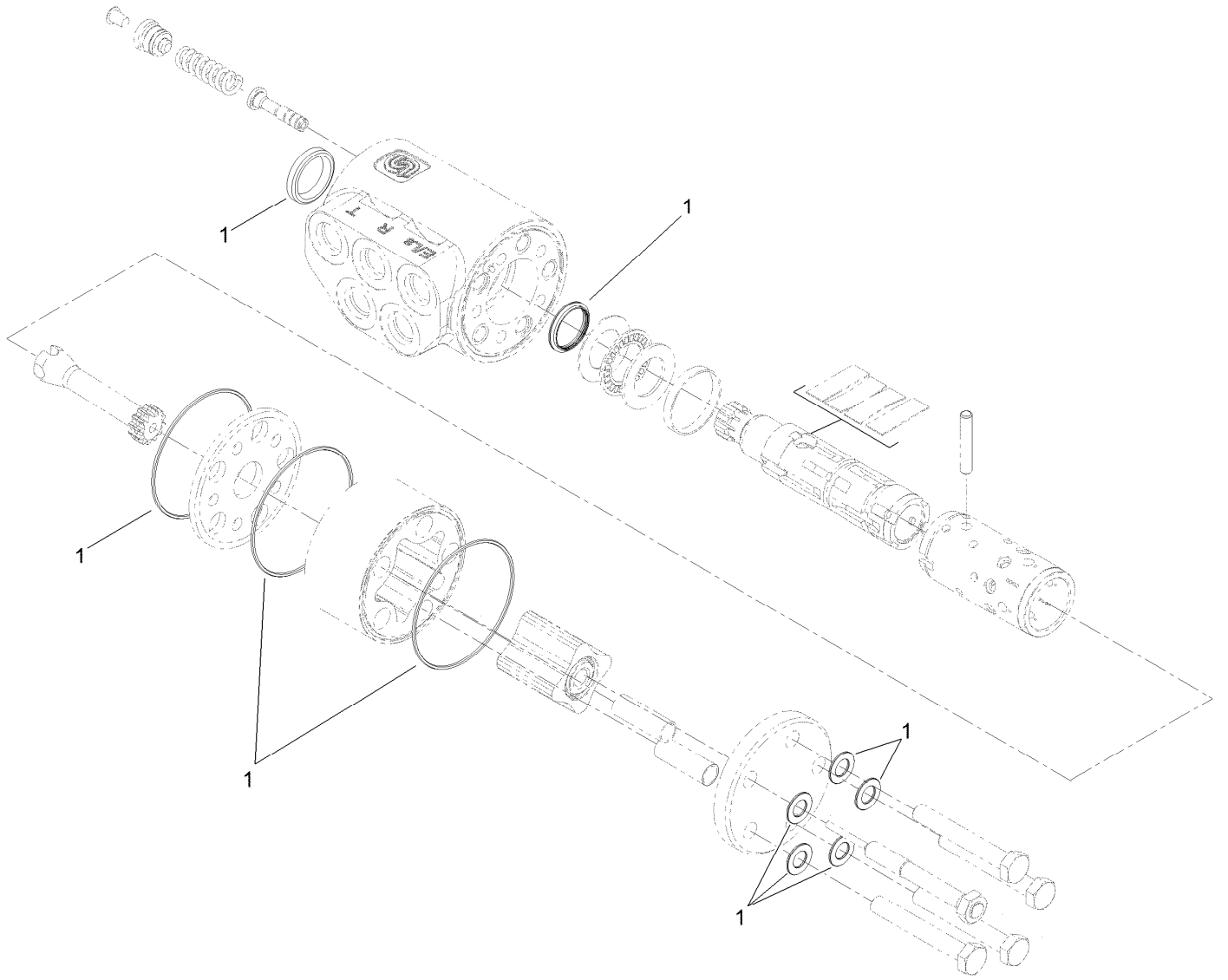
| Ref. | Part Number | Qty. | Description                | Ref. | Part Number | Qty. | Description           |
|------|-------------|------|----------------------------|------|-------------|------|-----------------------|
| 1    | 94-2621     | 1    | Element-Filter             | 12:2 | 237-65      | 1    | O-Ring                |
| 2    | 121-1577    | 1    | Head-Filter                | 13   | 340-148     | 2    | Fitting-Tee           |
| 3    | 104-3509    | 1    | Fitting-HYD, 45 DEG        | 13:1 | 237-81      | 1    | O-Ring                |
| 3:1  | 237-146     | 1    | O-Ring                     | 13:2 | 237-58      | 2    | O-Ring                |
| 3:2  | 340-65      | 1    | O-Ring                     | 14   | 340-98      | 1    | Fitting-Elbow, 90 DEG |
| 4    | 3234-1      | 4    | Screw-HHF                  | 14:1 | 237-79      | 1    | O-Ring                |
| 5    | 23-8910     | 1    | Stem-Barb-90               | 14:2 | 237-30      | 1    | O-Ring                |
| 5:1  | 237-146     | 1    | O-Ring                     | 15   | 340-2       | 4    | Fitting-Straight      |
| 6    | 2412-34     | 1    | Clamp-Hose                 | 15:1 | 237-22      | 1    | O-Ring                |
| 7    | 104-3779    | 1    | Connector-Swivel, Straight | 15:2 | 237-42      | 1    | O-Ring                |
| 7:1  | 237-42      | 1    | O-Ring                     | 16   | 132-6256    | 1    | Valve-Steer           |
| 8    | 120-8812    | 2    | HYD Motor ASM              | 17   | 340-87      | 1    | Fitting-Elbow, 45 DEG |
| 9    | 106-9888    | 4    | Washer-Flat                | 17:1 | 237-22      | 1    | O-Ring                |
| 10   | 33116-110   | 4    | Screw-HH                   | 17:2 | 237-42      | 1    | O-Ring                |
| 11   | 340-157     | 1    | Fitting-HYD, Tee           | 18   | 340-77      | 1    | Fitting-Elbow, 90 DEG |
| 11:1 | 237-79      | 1    | O-Ring                     | 18:1 | 237-22      | 1    | O-Ring                |
| 11:2 | 237-30      | 2    | O-Ring                     | 18:2 | 237-42      | 1    | O-Ring                |
| 12   | 340-139     | 2    | Fitting-Elbow 90           | 20   | 237-166     | 2    | O-Ring                |
| 12:1 | 237-81      | 1    | O-Ring                     |      |             |      |                       |



7 = all items with \* are included in overhaul seal kit

## Hydraulic Motor Assembly No. 120-8812

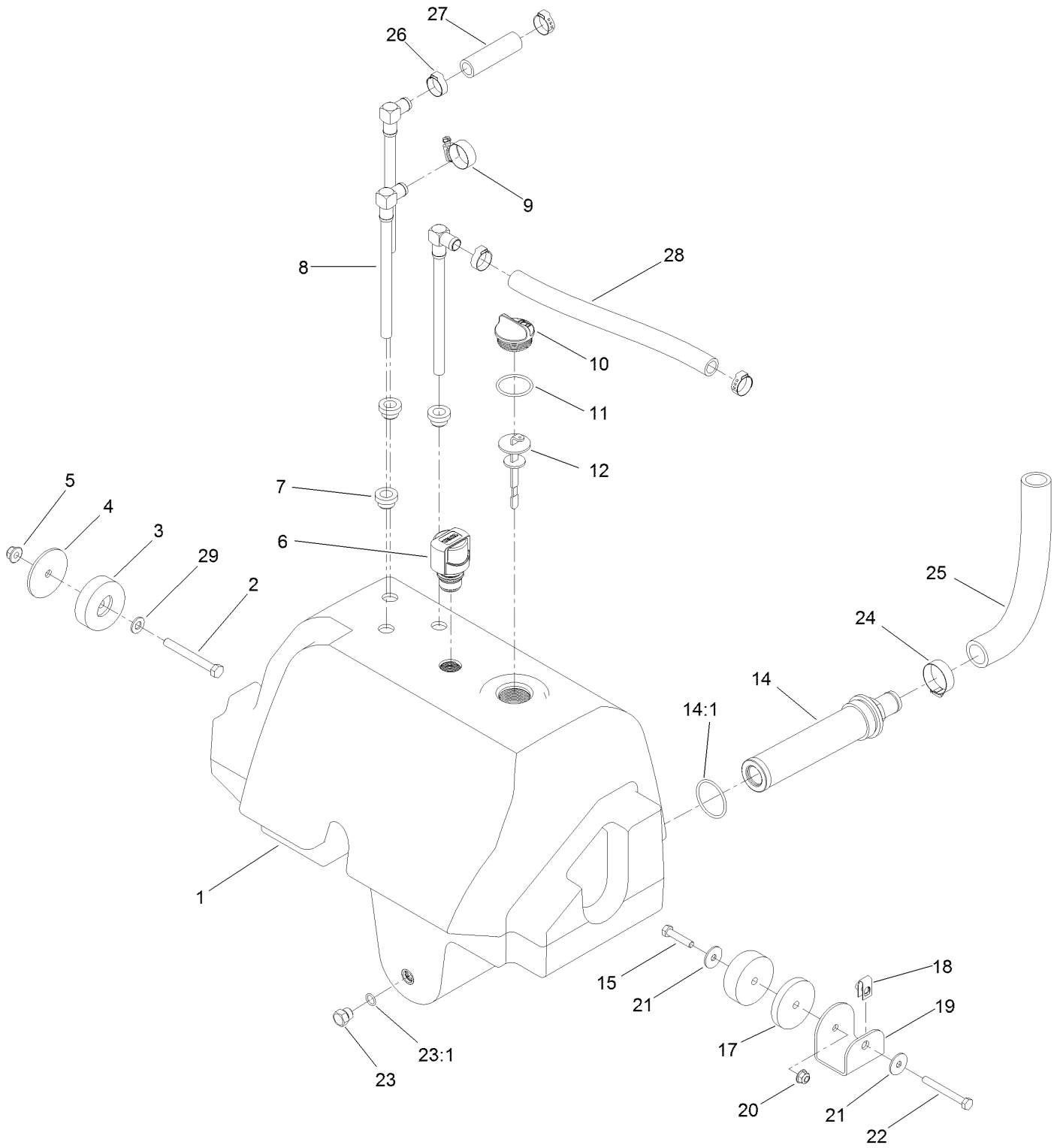
| <i>Ref.</i> | <i>Part Number</i> | <i>Qty.</i> | <i>Description</i> |
|-------------|--------------------|-------------|--------------------|
| 1           | 67-9090            | 2           | Plug               |
| 2           | 75-0070            | 3           | Plug               |
| 3           | 107-4352           | 1           | Plug               |
| 4           | 121-1734           | 1           | Plate-Valve        |
| 5           | 121-1735           | 1           | Cylinder Block Kit |
| 6           | 69-3190            | 1           | Seal-Lip           |
| 7           | 121-1736           | 1           | Overhaul Seal Kit  |



## Steering Valve Assembly No. 132-6256

| <i>Ref.</i> | <i>Part Number</i> | <i>Qty.</i> | <i>Description</i> |
|-------------|--------------------|-------------|--------------------|
| 1           | 106-6716           | 1           | Seal Kit           |

# Hydraulic Reservoir Assembly

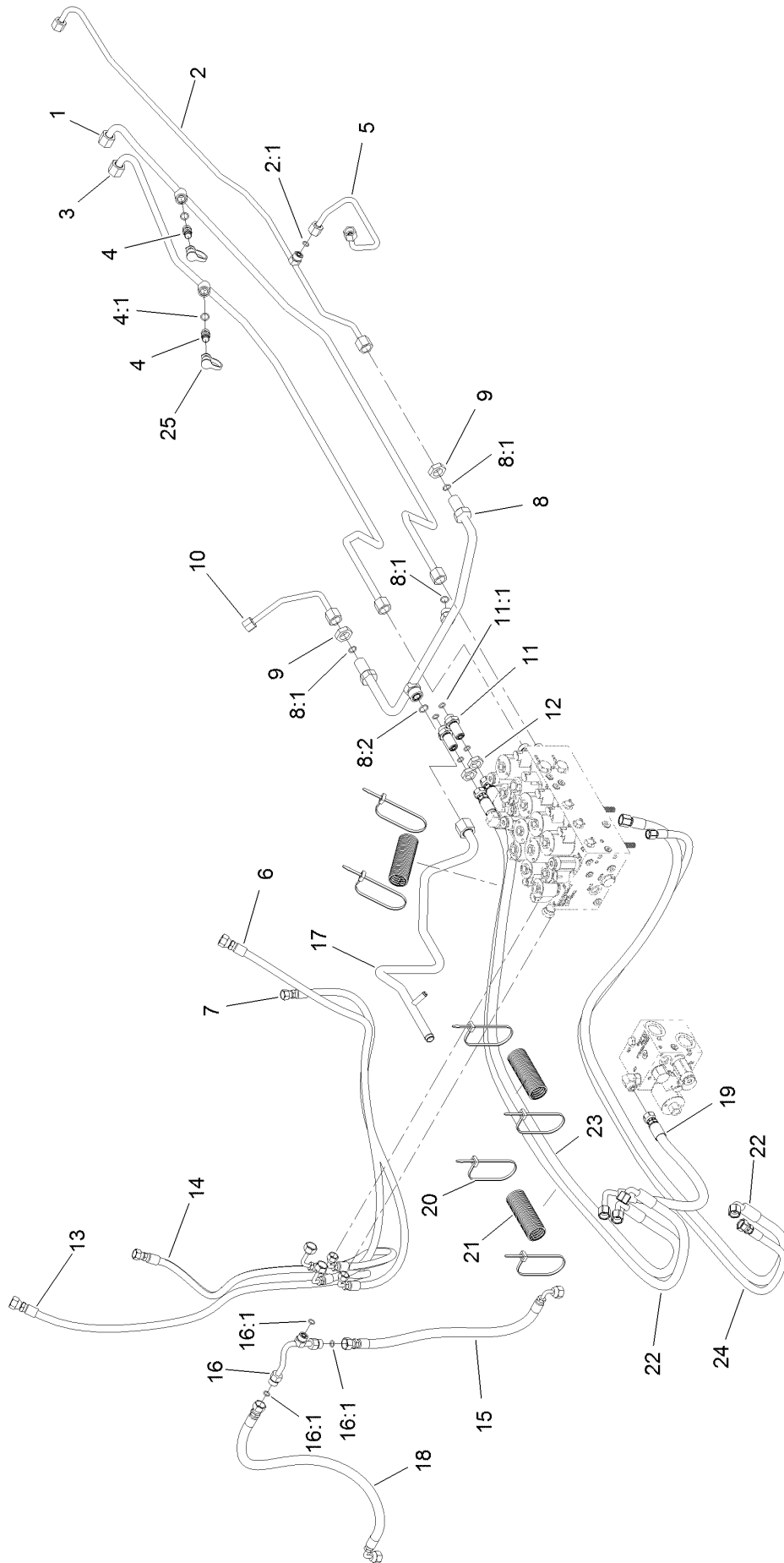




## Hydraulic Reservoir Assembly (continued)

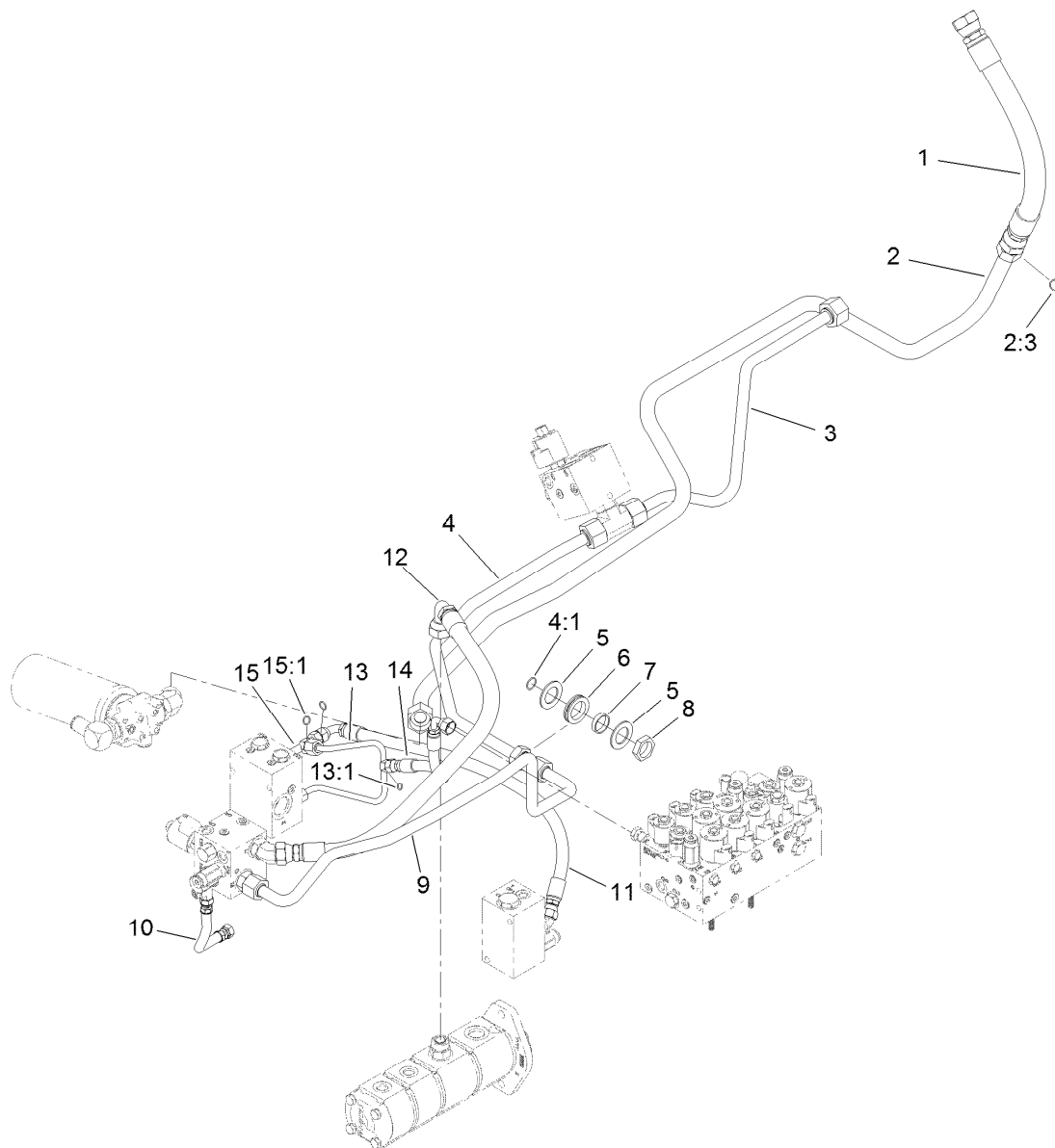
| <i>Ref.</i> | <i>Part Number</i> | <i>Qty.</i> | <i>Description</i> | <i>Ref.</i> | <i>Part Number</i> | <i>Qty.</i> | <i>Description</i> |
|-------------|--------------------|-------------|--------------------|-------------|--------------------|-------------|--------------------|
| 1           | 120-9077           | 1           | Reservoir-HYD      | 17          | 121-1533           | 1           | Spacer-Thick       |
| 2           | 323-20             | 1           | Screw-HH           | 18          | 115-7721           | 1           | Nut-Clip, U        |
| 3           | 108-1605           | 2           | Bumper-Recess      | 19          | 121-1557-03        | 1           | Mount-Tank         |
| 4           | 121-1456           | 1           | Spacer-Thin        | 20          | 104-8300           | 1           | Nut-HF, NI         |
| 5           | 104-8301           | 1           | Nut-HF, NI         | 21          | 3256-82            | 2           | Washer-Flat        |
| 6           | 115-9793           | 1           | Breather           | 22          | 322-13             | 1           | Screw-HH           |
| 7           | 104-0790           | 3           | Bushing            | 23          | 353-508            | 1           | Plug-HH            |
| 8           | 114-0002           | 3           | Pipe-Stand         | 23:1        | 237-42             | 1           | O-Ring             |
| 9           | 2412-129           | 1           | Clamp-Hose         | 24          | 2412-34            | 1           | Clamp-Hose         |
| 10          | 93-7498            | 1           | Plug-Plastic       | 25          | 120-8810           | 1           | Hose-Strainer      |
| 11          | 237-101            | 1           | O-Ring             | 26          | 115-5436           | 4           | Clamp-Hose, Crimp  |
| 12          | 112-6365           | 1           | Dipstick           | 27          | 114-4920           | 1           | Hose               |
| 14          | 104-7546           | 1           | Tank Strainer ASM  | 28          | 121-1521           | 1           | Hose               |
| 14:1        | 340-136            | 1           | O-Ring             | 29          | 3256-24            | 1           | Washer-Plain       |
| 15          | 322-7              | 1           | Screw-HH           |             |                    |             |                    |

# Lift, Steer and Fan Hydraulic Assembly



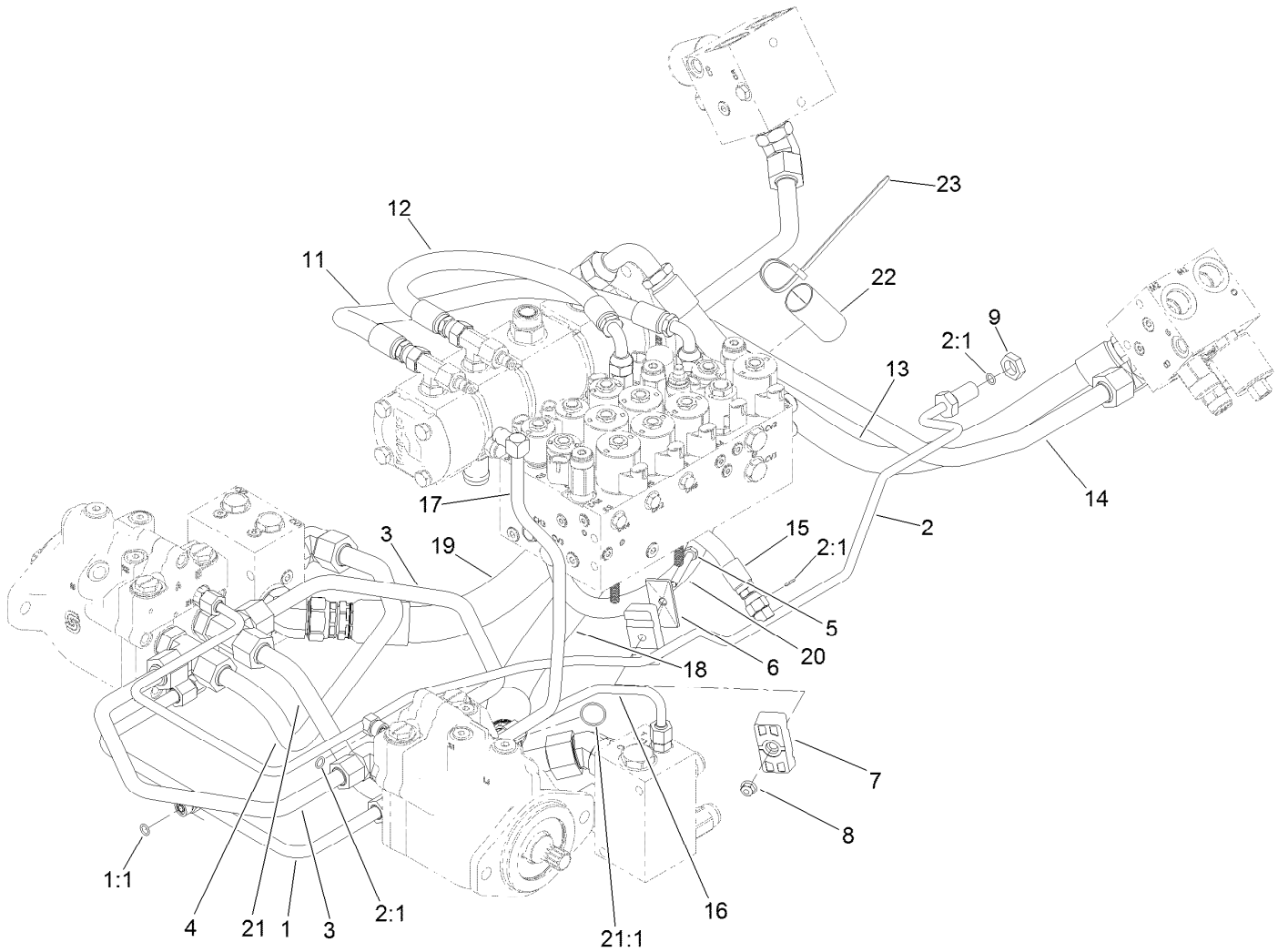
## Lift, Steer and Fan Hydraulic Assembly (continued)

| <i>Ref.</i> | <i>Part Number</i> | <i>Qty.</i> | <i>Description</i>         | <i>Ref.</i> | <i>Part Number</i> | <i>Qty.</i> | <i>Description</i> |
|-------------|--------------------|-------------|----------------------------|-------------|--------------------|-------------|--------------------|
| 1           | 120-9074           | 1           | Tube-Fan                   | 12          | 340-70             | 2           | Nut-Lock           |
| 2           | 120-8966           | 1           | Tube-Drain, Fan            | 13          | 127-3736           | 1           | Hose-HYD           |
| 2:1         | 237-22             | 1           | O-Ring                     | 14          | 100-3833           | 1           | Hose-HYD           |
| 3           | 120-9075           | 1           | Tube-Fan                   | 15          | 121-1567           | 1           | Hose-HYD           |
| 4           | 59-7410            | 2           | Fitting-Diagnostic         | 16          | 121-1565           | 1           | Tube-Tee           |
| 4:1         | 237-42             | 1           | O-Ring                     | 16:1        | 237-22             | 3           | O-Ring             |
| 5           | 132-6145           | 1           | Tube-HYD                   | 17          | 121-1510           | 1           | Tube-HYD           |
| 6           | 127-3737           | 1           | Hose-HYD                   | 18          | 121-1566           | 1           | Hose-HYD           |
| 7           | 127-3738           | 1           | Hose-HYD                   | 19          | 139-0950           | 1           | Hose ASM           |
| 8           | 121-1509           | 1           | Tube-HYD                   | 20          | 3290-378           | 7           | Tie-Cable          |
| 8:1         | 237-30             | 3           | O-Ring                     | 21          | 121-1544           | 3           | Cover-Hose         |
| 8:2         | 237-65             | 1           | O-Ring                     | 22          | 137-5575           | 2           | Hose ASM           |
| 9           | 340-127            | 2           | Nut-Bulkhead               | 23          | 137-5577           | 1           | Hose ASM           |
| 10          | 132-6146           | 1           | Tube-HYD                   | 24          | 137-5576           | 1           | Hose ASM           |
| 11          | 340-71             | 2           | Fitting-Straight, Bulkhead | 25          | 354-79             | 2           | Cap-Dust           |
| 11:1        | 237-22             | 2           | O-Ring                     |             |                    |             |                    |



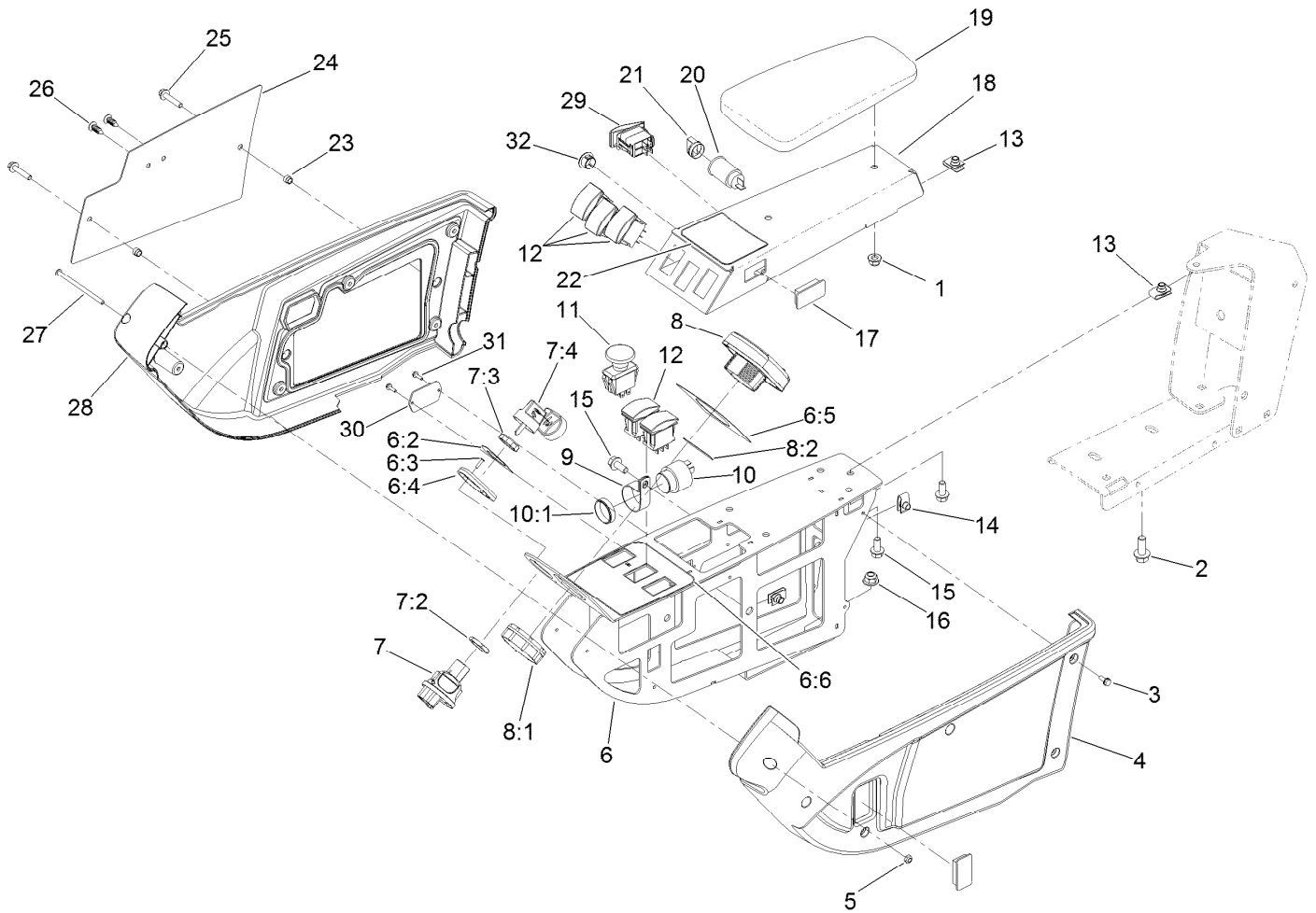
## Oil Cooler Hydraulic Assembly

| <i>Ref.</i> | <i>Part Number</i> | <i>Qty.</i> | <i>Description</i> | <i>Ref.</i> | <i>Part Number</i> | <i>Qty.</i> | <i>Description</i>     |
|-------------|--------------------|-------------|--------------------|-------------|--------------------|-------------|------------------------|
| 1           | 120-9060           | 1           | Hose-HYD           | 9           | 120-8838           | 1           | Tube-PTO, Front Return |
| 2           | 121-1612           | 1           | Tube ASM           | 10          | 121-1572           | 1           | Hose-HYD               |
| 2:3         | 340-65             | 1           | O-Ring             | 11          | 121-1559           | 1           | Hose-HYD               |
| 3           | 121-1626           | 1           | Tube-HYD           | 12          | 115-4384           | 1           | Hose-HYD               |
| 4           | 121-1507           | 1           | Tube ASM           | 13          | 121-1584           | 1           | Tube-HYD               |
| 4:1         | 237-58             | 1           | O-Ring             | 13:1        | 237-22             | 1           | O-Ring                 |
| 5           | 69-8910            | 2           | Washer             | 14          | 121-1583           | 1           | Hose-HYD               |
| 6           | 240-7              | 1           | Grommet-Rubber     | 15          | 121-1558           | 1           | Fitting-Tee            |
| 7           | 69-8900            | 1           | Spacer             | 15:1        | 237-30             | 2           | O-Ring                 |
| 8           | 340-126            | 1           | Nut-Bulkhead       |             |                    |             |                        |



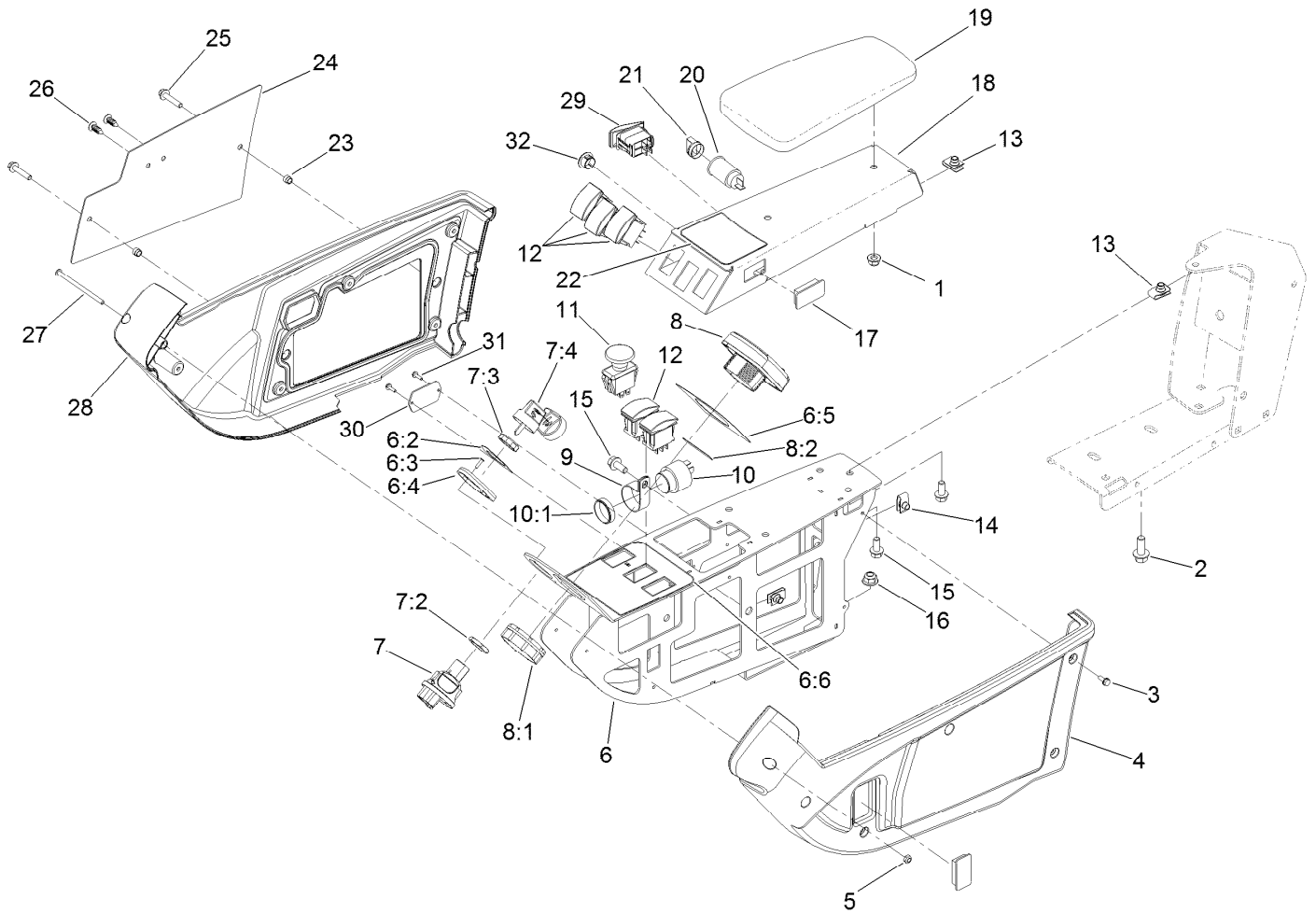
## Traction Hydraulic Assembly

| Ref. | Part Number | Qty. | Description | Ref. | Part Number | Qty. | Description        |
|------|-------------|------|-------------|------|-------------|------|--------------------|
| 1    | 120-9080    | 1    | Tube ASM    | 13   | 115-4384    | 1    | Hose-HYD           |
| 1:1  | 237-22      | 1    | O-Ring      | 14   | 120-8834    | 1    | Tube-PTO, LH To RH |
| 2    | 121-1552    | 1    | Tube ASM    | 15   | 104-2234    | 1    | Hose-HYD           |
| 2:1  | 237-22      | 3    | O-Ring      | 16   | 121-1480    | 1    | Tube-HYD           |
| 3    | 120-9079    | 2    | Tube-HYD    | 17   | 120-8961    | 1    | Tube-Return, Front |
| 4    | 121-1546    | 1    | Tube-HYD    | 18   | 132-6142    | 1    | Hose-HYD           |
| 5    | 322-11      | 1    | Screw-HH    | 19   | 132-6141    | 1    | Hose-HYD           |
| 6    | 69-9761     | 1    | Plate-Cover | 20   | 132-6241    | 1    | Hose-HYD           |
| 7    | 120-3200    | 2    | Clamp-Tube  | 21   | 121-1581    | 1    | Tube-Tee           |
| 8    | 104-8300    | 1    | Nut-HF, NI  | 21:1 | 340-65      | 1    | O-Ring             |
| 9    | 340-70      | 1    | Nut-Lock    | 22   | AU112950    | 1    | Protector-Hose     |
| 11   | 104-2807    | 1    | Hose-HYD    | 23   | 3290-378    | 3    | Tie-Cable          |
| 12   | 104-4584    | 1    | Hose-HYD    |      |             |      |                    |



## Armrest Control Panel Assembly

| Ref. | Part Number | Qty. | Description                  | Ref. | Part Number | Qty. | Description                  |
|------|-------------|------|------------------------------|------|-------------|------|------------------------------|
| 1    | 104-8300    | 2    | Nut-HF, NI                   | 10:1 | 104-5107    | 1    | Nut-Plastic, Knurled         |
| 2    | 3234-42     | 2    | Screw-HHF                    | 11   | 93-9999     | 1    | Switch-PTO                   |
| 3    | 32144-112   | 10   | Screw-HWH                    | 12   | 100-1535    | 5    | Switch-Rocker, (On)-Off-(On) |
| 4    | 108-7604    | 1    | Cover-LH                     | 13   | 94-2413     | 6    | Nut-U                        |
| 5    | 3296-12     | 1    | Nut-Lock, NI                 | 14   | 107069      | 2    | Clip                         |
| 6    | 120-4155    | 1    | Panel ASM                    | 15   | 3234-5      | 6    | Screw-HHF                    |
| 6:2  | 121-3884    | 1    | Decal-Console, Upper         | 16   | 104-8301    | 2    | Nut-HF, NI                   |
| 6:3  | 3269-17     | 2    | Rivet-Pop                    | 17   | 99-7420     | 2    | Plug-Hole                    |
| 6:4  | 121-3889    | 1    | Step-Elevated, Switch        | 18   | 136-4389-03 | 1    | Panel-Control                |
| 6:5  | 121-3887    | 1    | Decal-Console, Display       | 19   | 108-7602    | 1    | Rest-Arm                     |
| 6:6  | 120-4159    | 1    | Decal-Console, Lower         | 20   | 99-7411     | 1    | Point-Power                  |
| 7    | 121-5159    | 1    | Switch-Ignition              | 21   | 99-7416     | 1    | Cap                          |
| 7:2  | 121-5160    | 1    | Nut-Hex                      | 22   | 127-3700    | 1    | Decal-Lift                   |
| 7:3  | 121-5161    | 1    | Nut-Face                     | 23   | 110-0542    | 2    | Spacer-Flange                |
| 7:4  | 121-5162    | 1    | Set-Key, Ignition            | 24   | 115-8849-03 | 1    | Plate-Cover                  |
| 8    | 120-6310    | 1    | LCD Display ASM Kantrak 1700 | 25   | 3234-21     | 2    | Screw-HHF                    |
| 8:1  | 120-4630    | 1    | Nut-Display                  | 26   | 114-4899    | 2    | Rivet-Push                   |
| 8:2  | 120-6311    | 1    | Decal-Display                | 27   | 3250-22     | 1    | Screw-PPH                    |
| 9    | 2412-74     | 1    | R-Clamp                      | 28   | 108-7605    | 1    | Cover-RH                     |
| 10   | 80-9330     | 1    | Audio Alarm ASM              | 29   | 114-3329    | 1    | Switch-Rocker                |

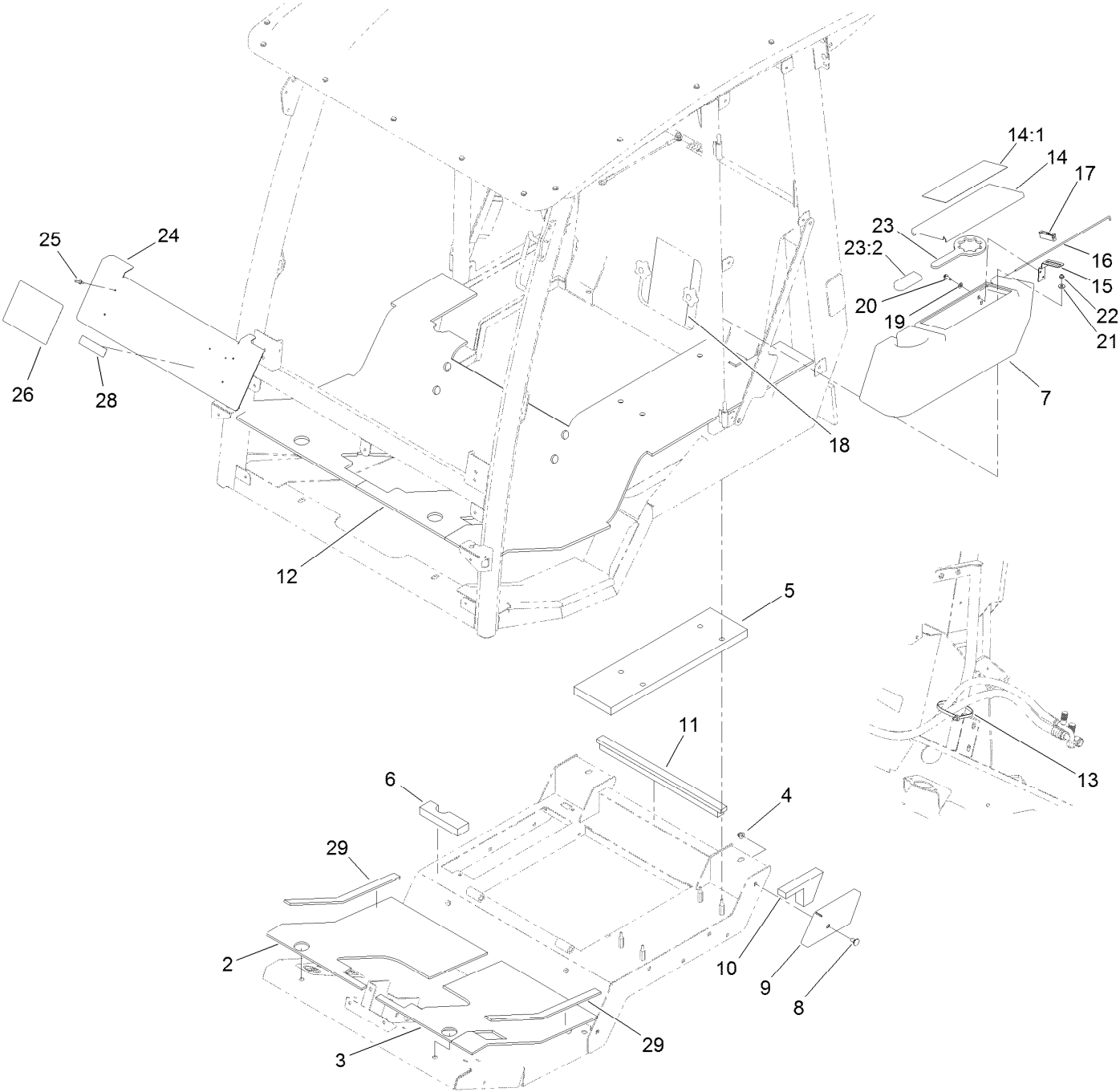


## Armrest Control Panel Assembly (continued)

| <i>Ref.</i> | <i>Part Number</i> | <i>Qty.</i> | <i>Description</i> |
|-------------|--------------------|-------------|--------------------|
| 30          | 121-1630           | 1           | Plate-Cover        |

| <i>Ref.</i> | <i>Part Number</i> | <i>Qty.</i> | <i>Description</i> |
|-------------|--------------------|-------------|--------------------|
| 31          | 32144-18           | 2           | Screw-HWH          |
| 32          | 94-5627            | 1           | Plug               |

# Cab, Tool Box and Flooring Assembly

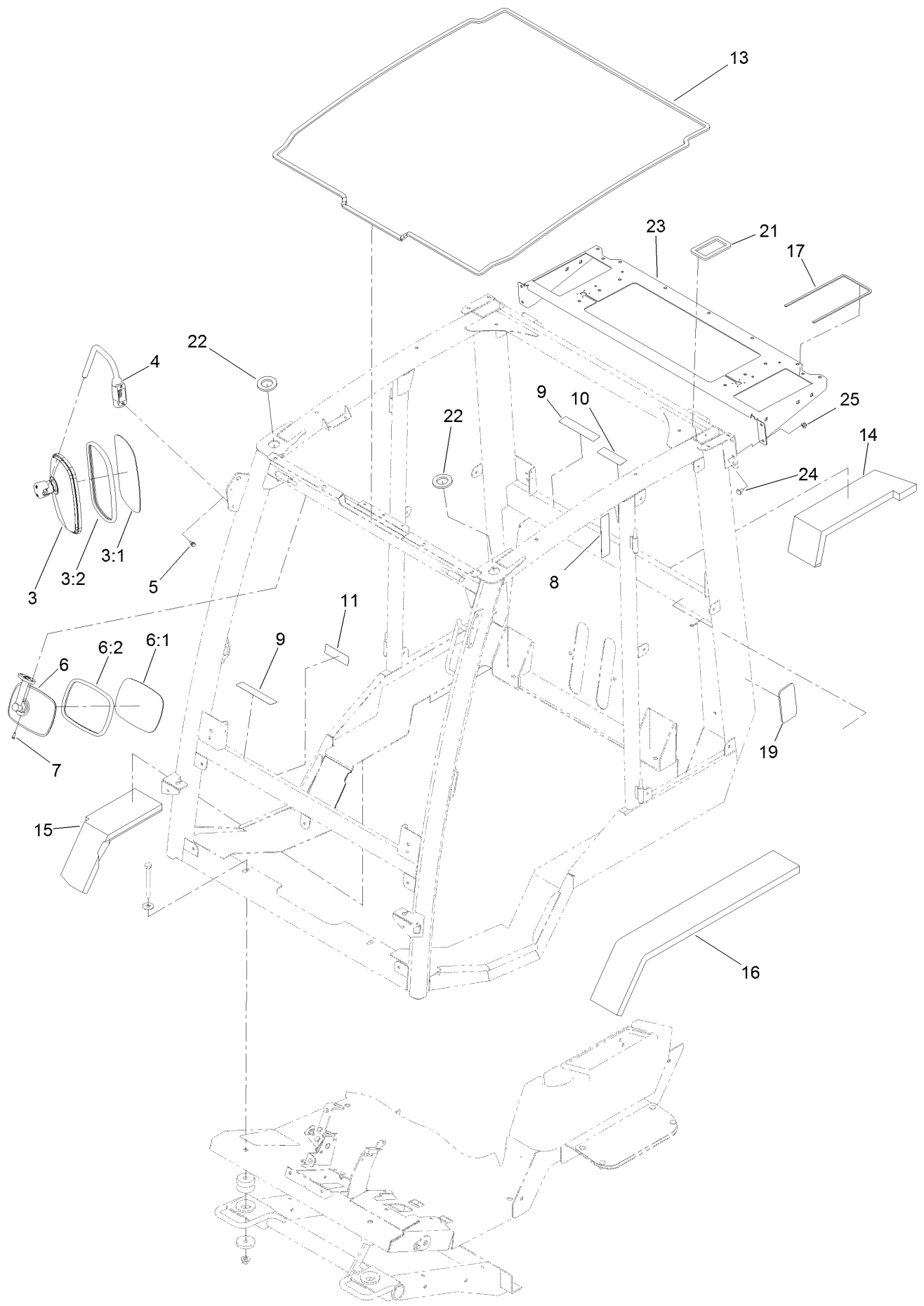




## Cab, Tool Box and Flooring Assembly (continued)

| <i>Ref.</i> | <i>Part Number</i> | <i>Qty.</i> | <i>Description</i> | <i>Ref.</i> | <i>Part Number</i> | <i>Qty.</i> | <i>Description</i>               |
|-------------|--------------------|-------------|--------------------|-------------|--------------------|-------------|----------------------------------|
| 2           | 136-2167           | 1           | Tread-Floor, RH    | 16          | 120-4122           | 1           | Rod-Hinge                        |
| 3           | 136-2166           | 1           | Tread-Floor, LH    | 17          | 58-4250            | 1           | Catch-Magnetic                   |
| 4           | 104-8301           | 1           | Nut-HF, NI         | 18          | 137-5497           | 1           | Decal-Service                    |
| 5           | 136-2124           | 1           | Foam-Fill, LH      | 19          | 3256-22            | 2           | Washer-Flat                      |
| 6           | 136-2125           | 1           | Foam-Fill, RH      | 20          | 32104-95           | 2           | Screw-HWH                        |
| 7           | 120-4125           | 1           | Housing-Tool Box   | 21          | 3256-2             | 4           | Washer-Flat                      |
| 8           | 3231-1             | 1           | Screw-CARR         | 22          | 104-7201           | 4           | Nut-HF, NI                       |
| 9           | 130-5747-03        | 1           | Cover-Mount        | 23          | 121-3874           | 1           | Wrench ASM                       |
| 10          | 127-9861           | 1           | Foam-Corner        | 23:2        | 119-1846           | 1           | Grip                             |
| 11          | 121-8548           | 1           | Foam-Seal, Rear    | 24          | 136-2123-03        | 1           | Plate-Decal                      |
| 12          | 136-2122           | 1           | Tread-Floor        | 25          | 3269-22            | 4           | Rivet-Pop                        |
| 13          | 3334-945           | 1           | Tie-Cable          | 26          | 114-0846           | 1           | Decal-Instructions,<br>Operating |
| 14          | 120-4124           | 1           | Tool Box Cover ASM | 28          | 133-8062           | 1           | Decal-Spark Arrestor             |
| 14:1        | 117-2754           | 1           | Decal-Warning      | 29          | 136-2165           | 2           | Tread-Floor, Edge                |
| 15          | 104-7545           | 1           | Bracket-Latch      |             |                    |             |                                  |

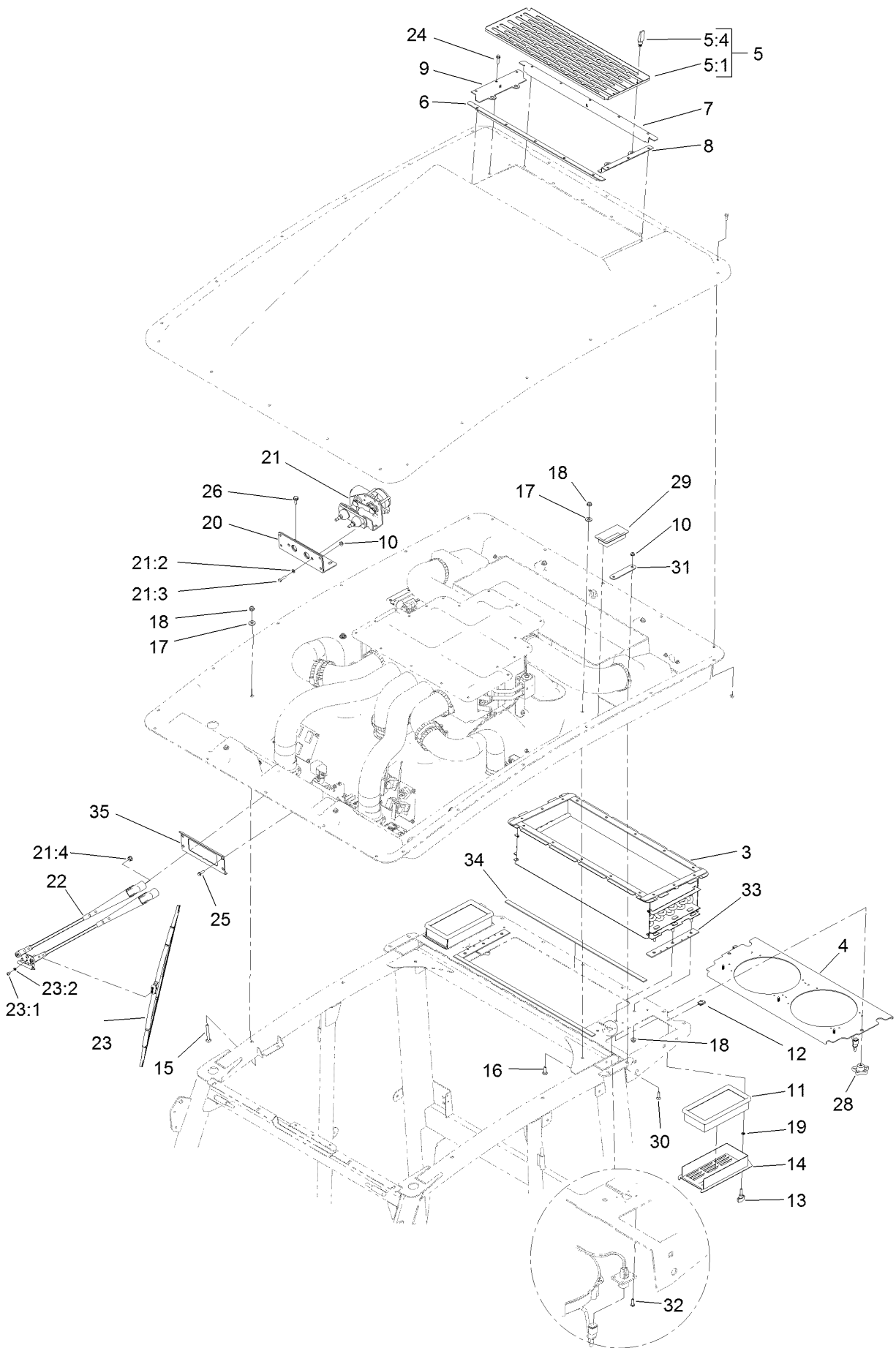
# Frame, Mount and Seal Assembly



## Frame, Mount and Seal Assembly (continued)

| <i>Ref.</i> | <i>Part Number</i> | <i>Qty.</i> | <i>Description</i>  | <i>Ref.</i> | <i>Part Number</i> | <i>Qty.</i> | <i>Description</i>         |
|-------------|--------------------|-------------|---------------------|-------------|--------------------|-------------|----------------------------|
| 3           | 121-8341           | 2           | Side Mirror ASM     | 11          | 130-5356           | 1           | Decal-Traction Pedal       |
| 3:1         | 121-8340           | 1           | Mirror              | 13          | 130-0586           | 1           | Seal-Foam, Frame Roof      |
| 3:2         | 121-8339           | 1           | Gasket              | 14          | 121-8545           | 1           | Seal-Foam, RH-Upper        |
| 4           | 121-8275           | 2           | Arm-Mirror, Side    | 15          | 121-8546           | 1           | Seal-Foam, RH              |
| 5           | 33103-016          | 4           | Screw-HHF           | 16          | 136-2182           | 1           | Foam-Seal, LH              |
| 6           | 121-8343           | 1           | Interior Mirror ASM | 17          | 130-0587           | 2           | Seal-Foam, Roof Air Filter |
| 6:1         | 121-8342           | 1           | Mirror              | 19          | 130-5923           | 2           | Pad                        |
| 6:2         | 121-8389           | 1           | Gasket              | 21          | 130-5855           | 2           | Seal-Tube, Rear            |
| 7           | 32144-32           | 2           | Screw               | 22          | 133-0982           | 2           | Tube-Seal, Front           |
| 8           | 130-0594           | 1           | Decal-Warning       | 23          | 136-1768-03        | 1           | Shelf-Mount, Fan           |
| 9           | 130-0611           | 4           | Decal-Window, Pin   | 24          | 3230-18            | 4           | Screw-CARR                 |
| 10          | 130-5355           | 1           | Decal-Window, Hood  | 25          | 104-8300           | 4           | Nut-HF, NI                 |

# Cab Headliner Assembly

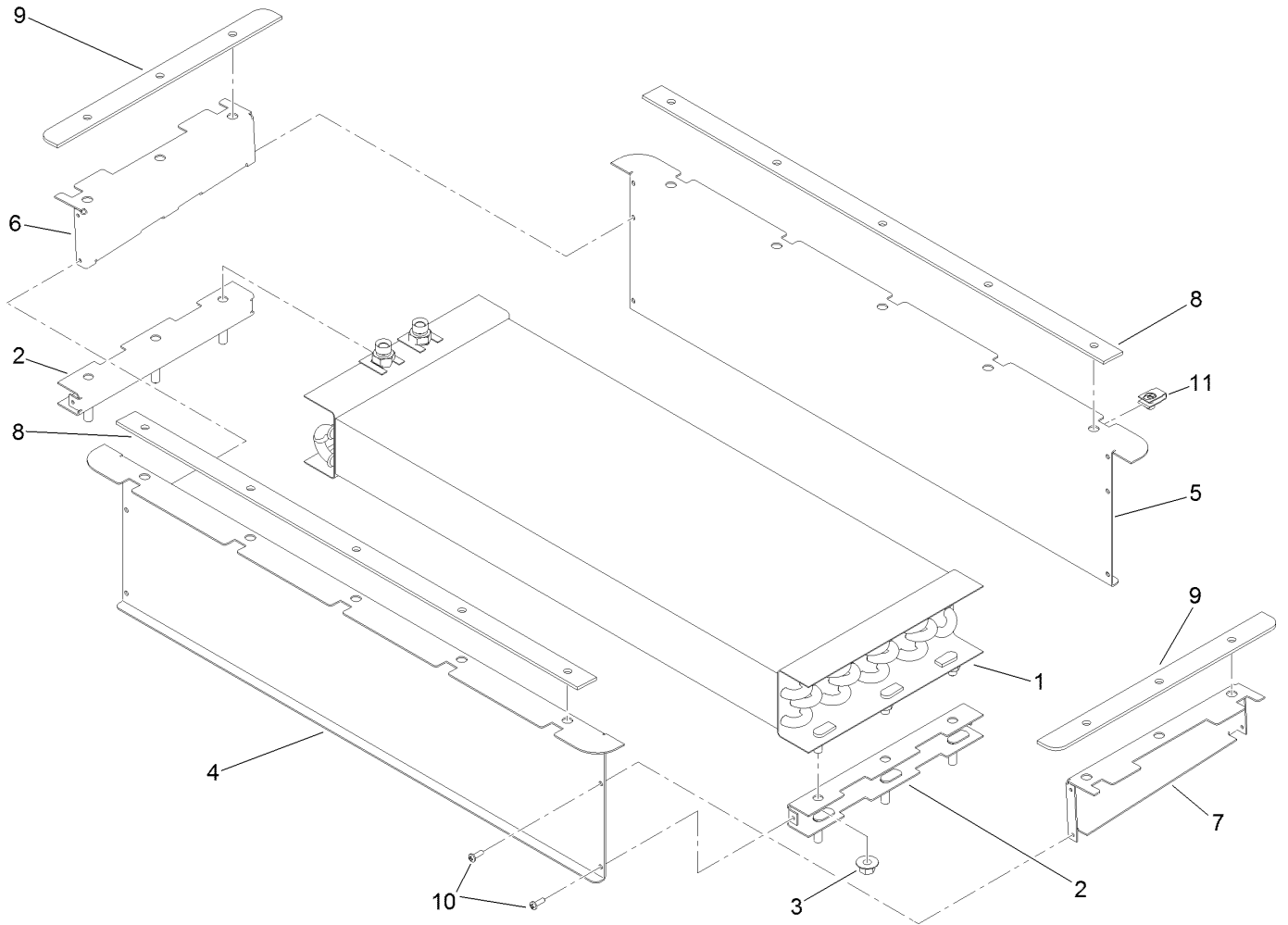


## Cab Headliner Assembly (continued)

| <i>Ref.</i> | <i>Part Number</i> | <i>Qty.</i> | <i>Description</i> | <i>Ref.</i> | <i>Part Number</i> | <i>Qty.</i> | <i>Description</i>        |
|-------------|--------------------|-------------|--------------------|-------------|--------------------|-------------|---------------------------|
| 3           | 132-3468           | 1           | A/C Duct ASM       | 21          | 125-7452           | 1           | Wiper Motor ASM           |
| 4           | 132-3488           | 1           | Panel-Fan          | 21:2        | 3253-3             | 1           | Washer-Lock               |
| 5           |                    | 1           | Screen ASM ●       | 21:3        | 33113-025          | 1           | Screw-HH                  |
| 5:1         | 132-3530-03        | 1           | Screen             | 21:4        | 112-2844           | 2           | Nut-HF                    |
| 5:4         | 74-5950            | 4           | Latch-Swell        | 22          | 125-7453           | 1           | Arm-Wiper                 |
| 6           | 132-3531-03        | 1           | Seal-Front         | 23          | 125-7454           | 1           | Blade-Wiper               |
| 7           | 132-3532-03        | 1           | Seal-Rear          | 23:1        | 47-2830            | 2           | Screw                     |
| 8           | 132-3533-03        | 1           | Seal-Side, Left    | 23:2        | 43-5920            | 2           | Washer-Lock, Spring       |
| 9           | 132-3534-03        | 1           | Seal-Side, Right   | 24          | 120-4654           | 16          | Screw-HHF                 |
| 10          | 104-7201           | 8           | Nut-HF, NI         | 25          | 32105-15           | 4           | Screw-HWH                 |
| 11          | 121-8457           | 2           | Filter-Air         | 26          | 32144-11           | 2           | Screw-HWH                 |
| 12          | 107069             | 2           | Clip               | 28          | 117-5976           | 2           | Knob-Handle               |
| 13          | 126-5846           | 2           | Knob-T             | 29          | 130-5661           | 2           | Tube-Sleeve               |
| 14          | 125-9825-03        | 2           | Cover-Air, Fresh   | 30          | 3229-30            | 4           | Screw-CARR                |
| 15          | 3230-9             | 4           | Screw-CARR         | 31          | 130-5854           | 2           | Brace-Seal                |
| 16          | 3230-22            | 13          | Screw-CARR         | 32          | 363-8245           | 8           | Screw-TAP                 |
| 17          | 3256-3             | 17          | Washer-Flat        | 33          | 132-3608           | 2           | Seal-Edge                 |
| 18          | 104-8300           | 21          | Nut-HF, NI         | 34          | 132-3609           | 2           | Seal-Strip                |
| 19          | 106-8737           | 2           | Nut-Retainer       | 35          | 130-6068-03        | 1           | Plate-Washer, Wiper Motor |
| 20          | 130-5871           | 1           | Bracket-Wiper      |             |                    |             |                           |

● Not serviced separately

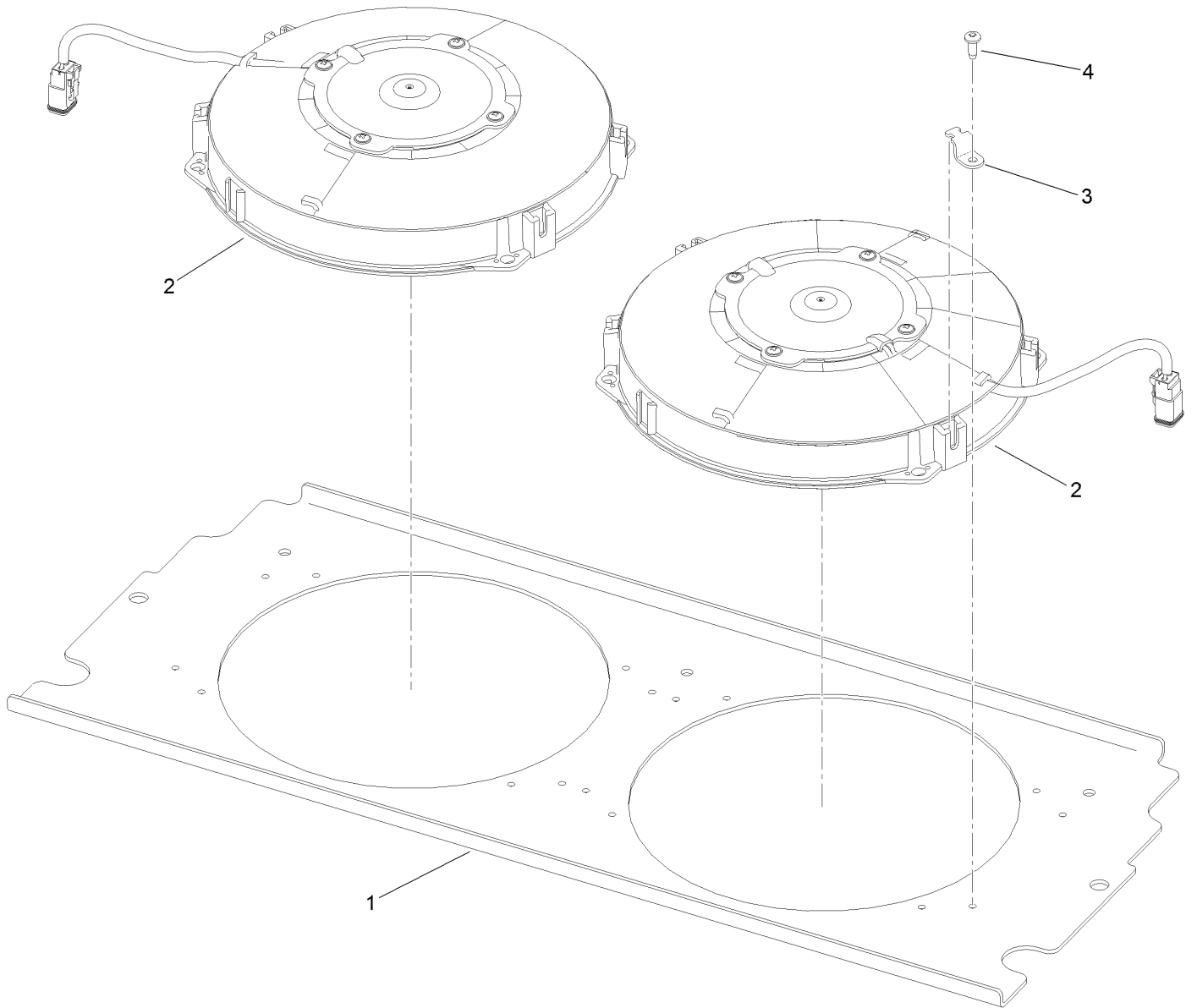
# Air Conditioning Duct Assembly No. 132-3468



# Air Conditioning Duct Assembly No. 132-3468 (continued)

| <i>Ref.</i> | <i>Part Number</i> | <i>Qty.</i> | <i>Description</i> | <i>Ref.</i> | <i>Part Number</i> | <i>Qty.</i> | <i>Description</i> |
|-------------|--------------------|-------------|--------------------|-------------|--------------------|-------------|--------------------|
| 1           | 121-8447           | 1           | Core-Condenser     | 7           | 132-3465-03        | 1           | Wall-Side, Left    |
| 2           | 132-3469-03        | 2           | Leg-Lower          | 8           | 132-3466           | 2           | Seal-Strip         |
| 3           | 32128-44           | 6           | Nut                | 9           | 132-3467           | 2           | Seal-Edge          |
| 4           | 132-3462-03        | 1           | Wall-Front         | 10          | 363-8245           | 12          | Screw-TAP          |
| 5           | 132-3463-03        | 1           | Wall-Back          | 11          | 107069             | 16          | Clip               |
| 6           | 132-3464-03        | 1           | Wall-Side, Right   |             |                    |             |                    |

# Fan Panel Assembly No. 132-3488

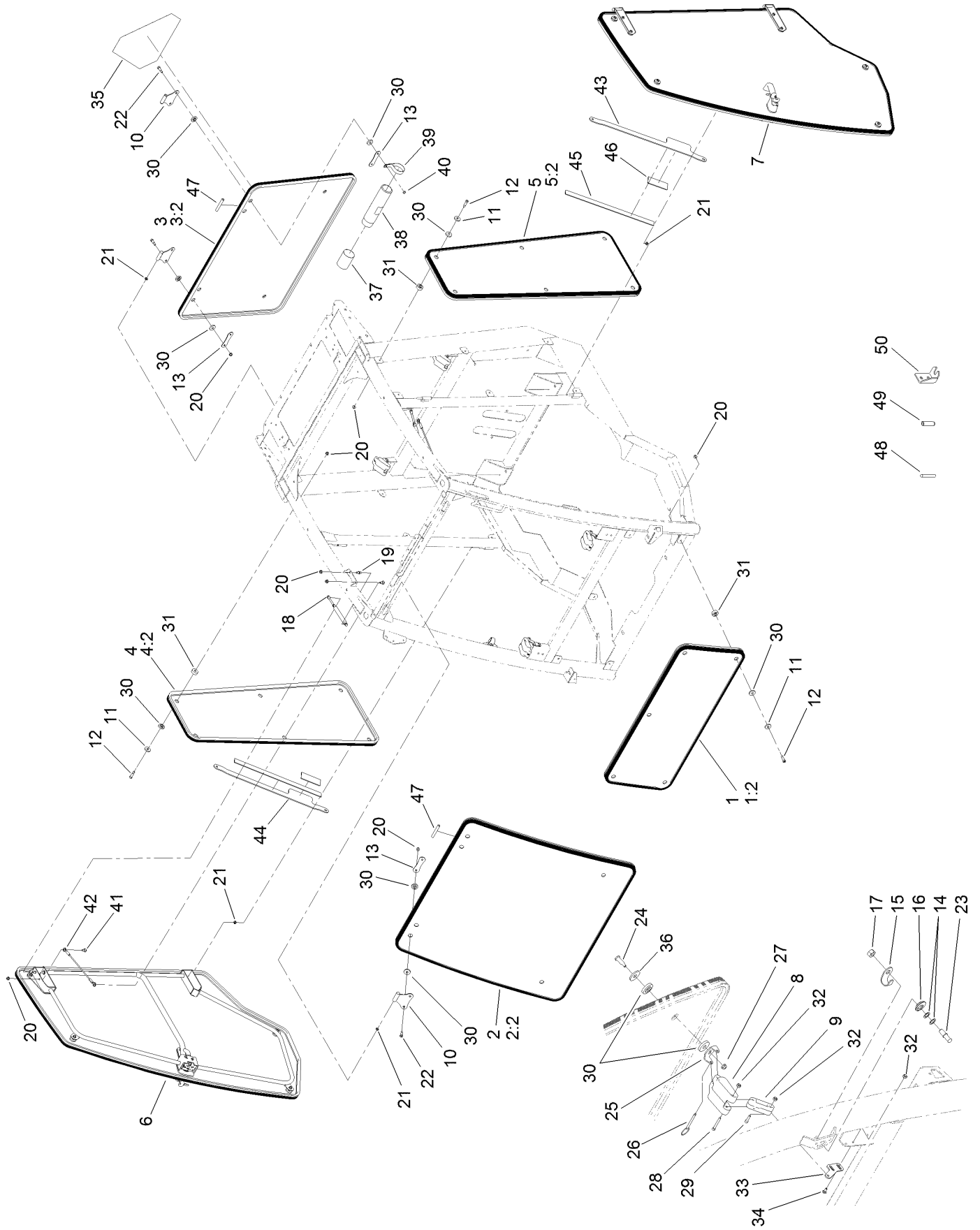




## Fan Panel Assembly No. 132-3488 (continued)

| <i>Ref.</i> | <i>Part Number</i> | <i>Qty.</i> | <i>Description</i> | <i>Ref.</i> | <i>Part Number</i> | <i>Qty.</i> | <i>Description</i>    |
|-------------|--------------------|-------------|--------------------|-------------|--------------------|-------------|-----------------------|
| 1           | 132-3486-03        | 1           | Plate-Mount, Fan   | 3           | 132-3606           | 8           | Tab-Fan               |
| 2           | 132-3607           | 2           | Fan-Condenser      | 4           | 105-6849           | 8           | Screw-Forming, Thread |

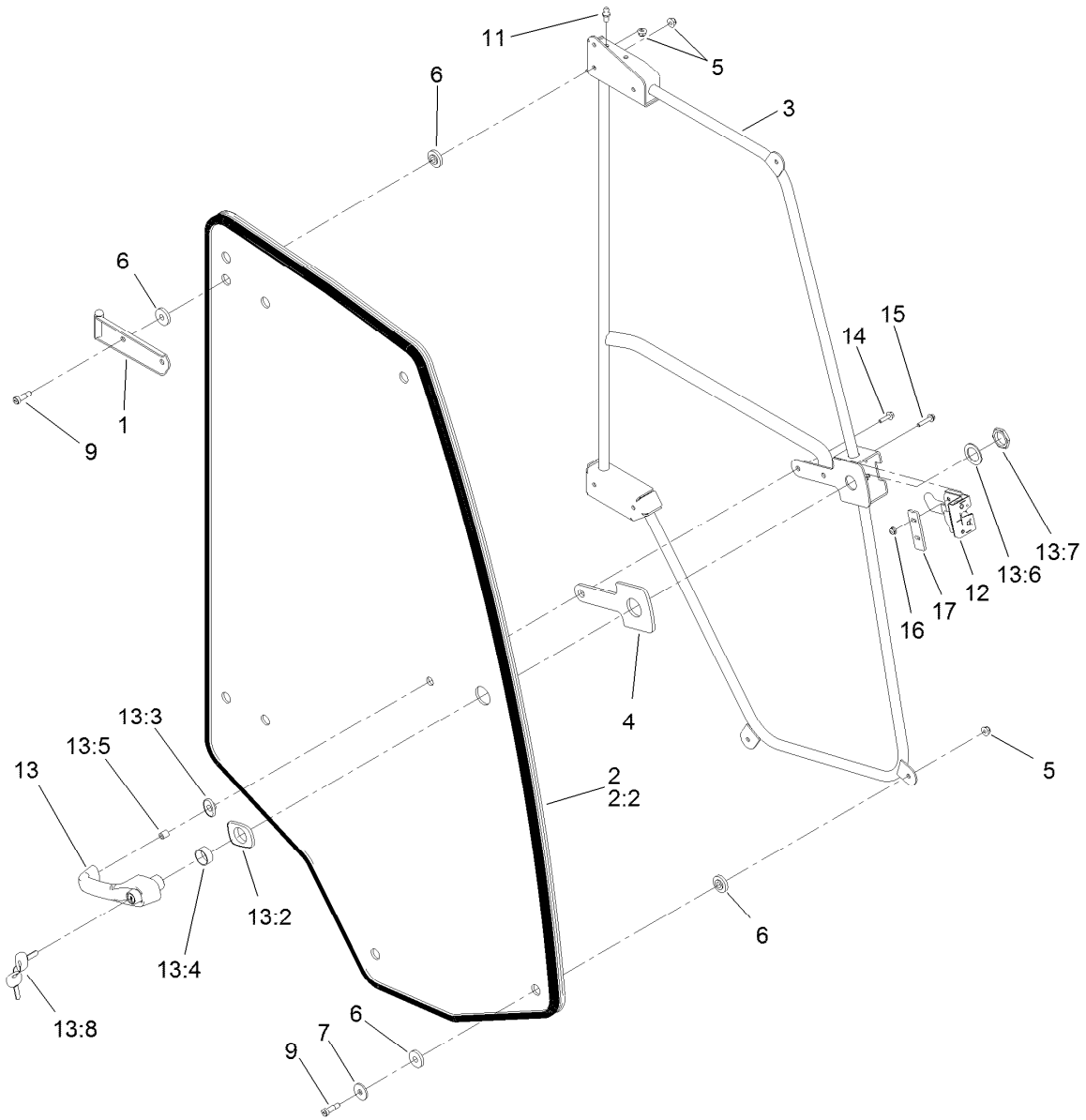
# Window, Door and Striker Assembly



## Window, Door and Striker Assembly (continued)

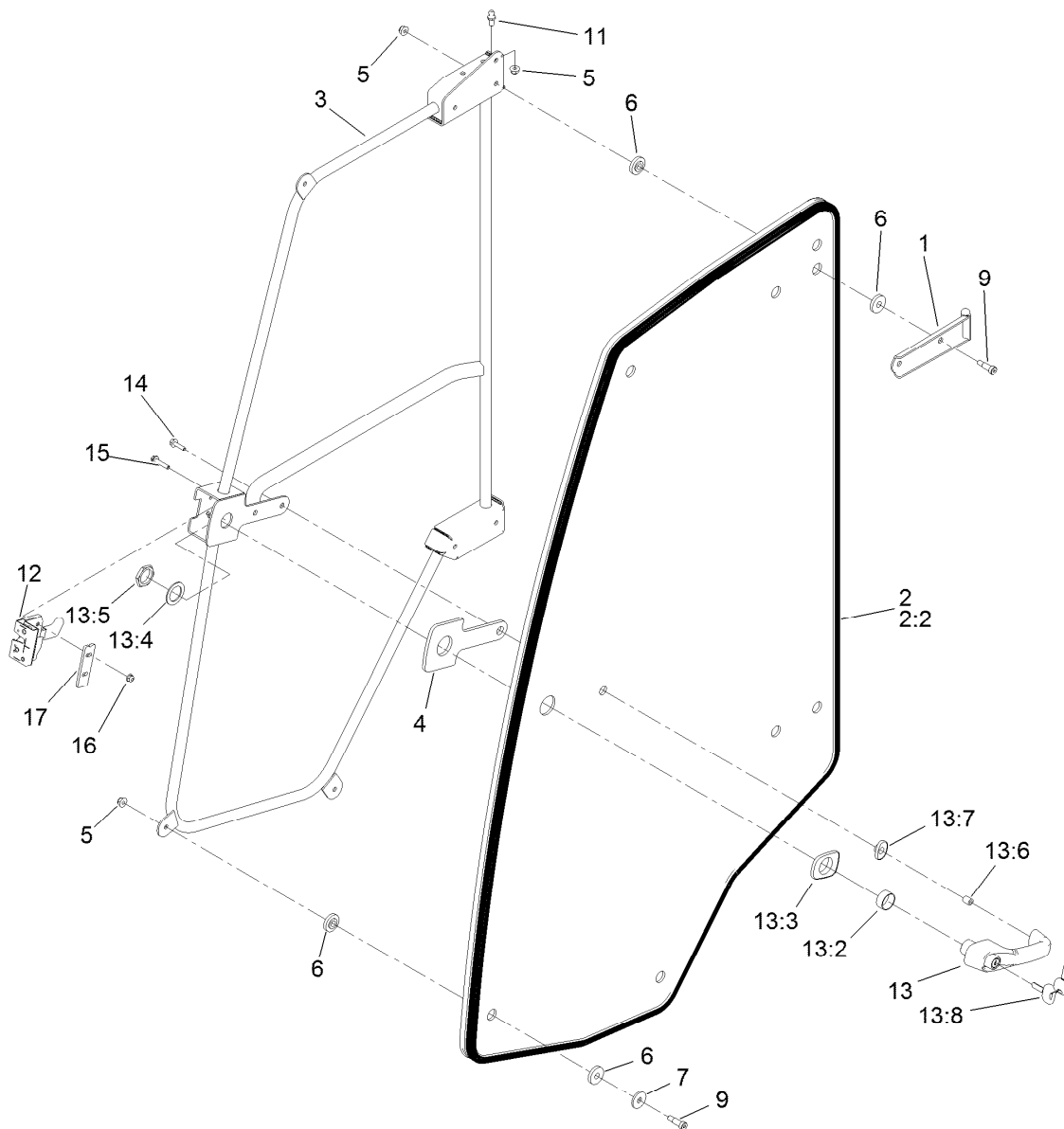
| <i>Ref.</i> | <i>Part Number</i> | <i>Qty.</i> | <i>Description</i>       | <i>Ref.</i> | <i>Part Number</i> | <i>Qty.</i> | <i>Description</i>    |
|-------------|--------------------|-------------|--------------------------|-------------|--------------------|-------------|-----------------------|
| 1           | 130-5681           | 1           | Lower Front Window ASM   | 24          | 119-9812           | 4           | Bolt-Shoulder         |
| 1:2         | 121-8211           | 1           | Trim-Window, Front       | 25          | 125-9987           | 4           | Mount-Latch           |
| 2           | 130-5680           | 1           | Upper Front Window ASM   | 26          | 127-9850           | 4           | Pin-Release, Quick    |
| 2:2         | 121-8212           | 1           | Seal-Trim                | 27          | 104-7201           | 4           | Nut-HF, NI            |
| 3           | 130-5682           | 1           | Rear Window ASM          | 28          | 3274-59            | 4           | Screw-HSH             |
| 3:2         | 130-0637           | 1           | Seal-Trim                | 29          | 3274-14            | 4           | Screw-HSH             |
| 4           | 130-5676           | 1           | RH-Side Window ASM       | 30          | 125-9982           | 41          | Bushing-Flange        |
| 4:2         | 121-8215           | 1           | Seal-Trim                | 31          | 125-9537           | 17          | Bushing-Flange        |
| 5           | 130-5677           | 1           | LH-Side Window ASM       | 32          | 120-9681           | 16          | Nut-Lock, NI          |
| 5:2         | 121-8215           | 1           | Seal-Trim                | 33          | 130-0590           | 4           | Mount-Tab             |
| 6           |                    | 1           | RH Door ASM ●            | 34          | 1-807513           | 8           | Bolt-CARR             |
| 7           |                    | 1           | LH Door ASM ●            | 35          | 120-0250           | 1           | Decal-Warning         |
| 8           | 125-9792           | 4           | Handle-Window            | 36          | 125-9676           | 4           | Washer-Backup         |
| 9           | 125-9793           | 4           | Link-Window              | 37          | 104-7048           | 1           | Cap-Housing           |
| 10          | 121-8535-03        | 4           | Hinge-Window             | 38          | 104-7050           | 1           | Tube-Manual           |
| 11          | 130-5815           | 13          | Washer-Backup            | 39          | 2412-133           | 2           | Clamp-R               |
| 12          | 125-9521           | 17          | Screw-Shldr HSH          | 40          | 3296-47            | 2           | Nut-Lock,NI           |
| 13          | 127-9933           | 4           | Plate-Backer, Windshield | 41          | 120-9471           | 4           | Bolt-Shoulder         |
| 14          | 73-0040            | 2           | Washer-Thrust            | 42          | 130-5726           | 2           | Lanyard               |
| 15          | 121-8393           | 2           | Guard-Striker            | 43          | 130-6095-03        | 1           | Strap-Support, Left   |
| 16          | 125-9992           | 2           | Adjuster-Stud            | 44          | 130-6091-03        | 1           | Strap-Support         |
| 17          | 106-0327           | 2           | Nut-Hex                  | 45          | 130-6096           | 2           | Strap-Foam, 19.5 Inch |
| 18          | 130-6083           | 2           | Spring-Gas, Door         | 46          | 130-6097           | 2           | Strap-Foam, 4.25 Inch |
| 19          | 98-3104            | 2           | Stud-Ball                | 47          | 130-5578           | 2           | Tubing-Seal, Rubber   |
| 20          | 104-8300           | 29          | Nut-HF, NI               | 48          | 133-1110           | 1           | Pin-Hinge             |
| 21          | 121-8441           | 8           | Washer-Spacer            | 49          | 121-8439           | 1           | Receiver-Pivot, Hinge |
| 22          | 125-9520           | 8           | Screw-Shoulder, HSH      | 50          | 121-4880           | 1           | Bracket-Mount, Cable  |
| 23          | 125-9993           | 2           | Striker-Stud             |             |                    |             |                       |

● Not serviced separately



## RH Door Assembly

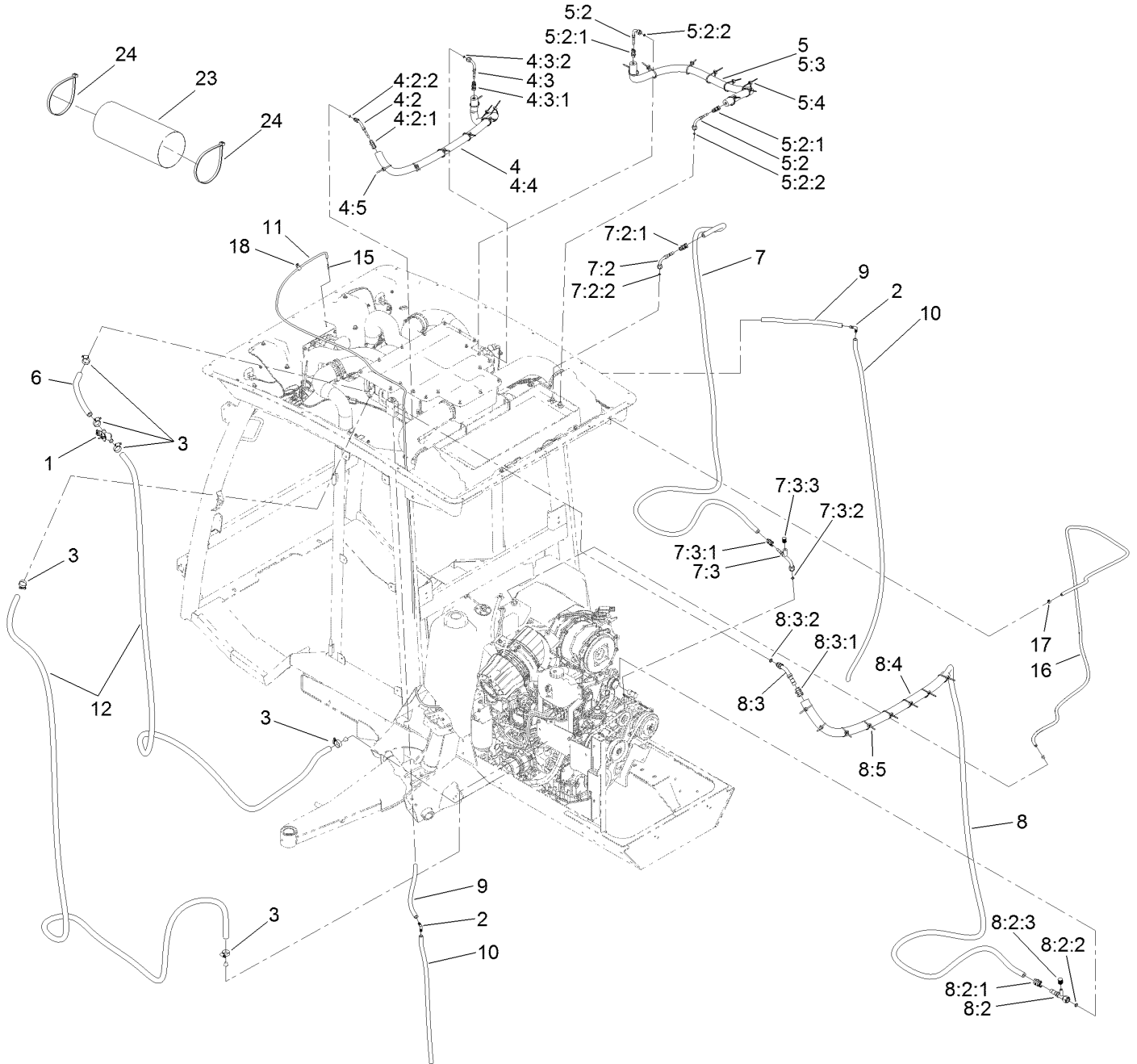
| <i>Ref.</i> | <i>Part Number</i> | <i>Qty.</i> | <i>Description</i>  | <i>Ref.</i> | <i>Part Number</i> | <i>Qty.</i> | <i>Description</i>      |
|-------------|--------------------|-------------|---------------------|-------------|--------------------|-------------|-------------------------|
| 1           | 125-9618-03        | 2           | Hinge-Door, RH      | 13:2        | 121-8628           | 1           | Cylinder-Mounting, Key  |
| 2           | 130-5678           | 1           | RH Door ASM         | 13:3        | 121-8322           | 1           | Grommet-Mounting, Large |
| 2:2         | 125-9799           | 1           | Trim-Door           | 13:4        | 121-8327           | 1           | Washer                  |
| 3           | 121-8570-03        | 1           | Frame-Door, RH      | 13:5        | 121-8328           | 1           | Nut                     |
| 4           | 121-8331           | 1           | Gasket-Handle       | 13:6        | 121-8627           | 1           | Cylinder-Mounting, End  |
| 5           | 104-8300           | 9           | Nut-HF, NI          | 13:7        | 121-8323           | 1           | Grommet-Mounting, Small |
| 6           | 125-9982           | 16          | Bushing-Flange      | 13:8        | 125-9531           | 1           | Key-Set                 |
| 7           | 125-9676           | 4           | Washer-Backup       | 14          | 33103-025          | 1           | Screw-HHF               |
| 9           | 125-9520           | 8           | Screw-Shoulder, HSH | 15          | 3234-21            | 2           | Screw-HHF               |
| 11          | 98-3104            | 1           | Stud-Ball           | 16          | 104-7201           | 2           | Nut-HF, NI              |
| 12          | 121-8390           | 1           | Latch-RH            | 17          | 121-8395           | 1           | Plate-Support, Latch    |
| 13          | 121-8630           | 1           | Handle ASM          |             |                    |             |                         |



## LH Door Assembly

| <i>Ref.</i> | <i>Part Number</i> | <i>Qty.</i> | <i>Description</i>  | <i>Ref.</i> | <i>Part Number</i> | <i>Qty.</i> | <i>Description</i>      |
|-------------|--------------------|-------------|---------------------|-------------|--------------------|-------------|-------------------------|
| 1           | 125-9619-03        | 2           | Hinge-Door, LH      | 13:2        | 121-8628           | 1           | Cylinder-Mounting, Key  |
| 2           | 130-5679           | 1           | LH Door ASM         | 13:3        | 121-8322           | 1           | Grommet-Mounting, Large |
| 2:2         | 121-8216           | 1           | Trim-Window         | 13:4        | 121-8327           | 1           | Washer                  |
| 3           | 121-8571-03        | 1           | Frame-Door, LH      | 13:5        | 121-8328           | 1           | Nut                     |
| 4           | 121-8331           | 1           | Gasket-Handle       | 13:6        | 121-8627           | 1           | Cylinder-Mounting, End  |
| 5           | 104-8300           | 9           | Nut-HF, NI          | 13:7        | 121-8323           | 1           | Grommet-Mounting, Small |
| 6           | 125-9982           | 16          | Bushing-Flange      | 13:8        | 125-9531           | 1           | Key-Set                 |
| 7           | 125-9676           | 4           | Washer-Backup       | 14          | 33103-025          | 1           | Screw-HHF               |
| 9           | 125-9520           | 8           | Screw-Shoulder, HSH | 15          | 3234-21            | 2           | Screw-HHF               |
| 11          | 98-3104            | 1           | Stud-Ball           | 16          | 104-7201           | 2           | Nut-HF, NI              |
| 12          | 121-8391           | 1           | Latch-LH            | 17          | 121-8395           | 1           | Plate-Support, Latch    |
| 13          | 121-8630           | 1           | Handle ASM          |             |                    |             |                         |

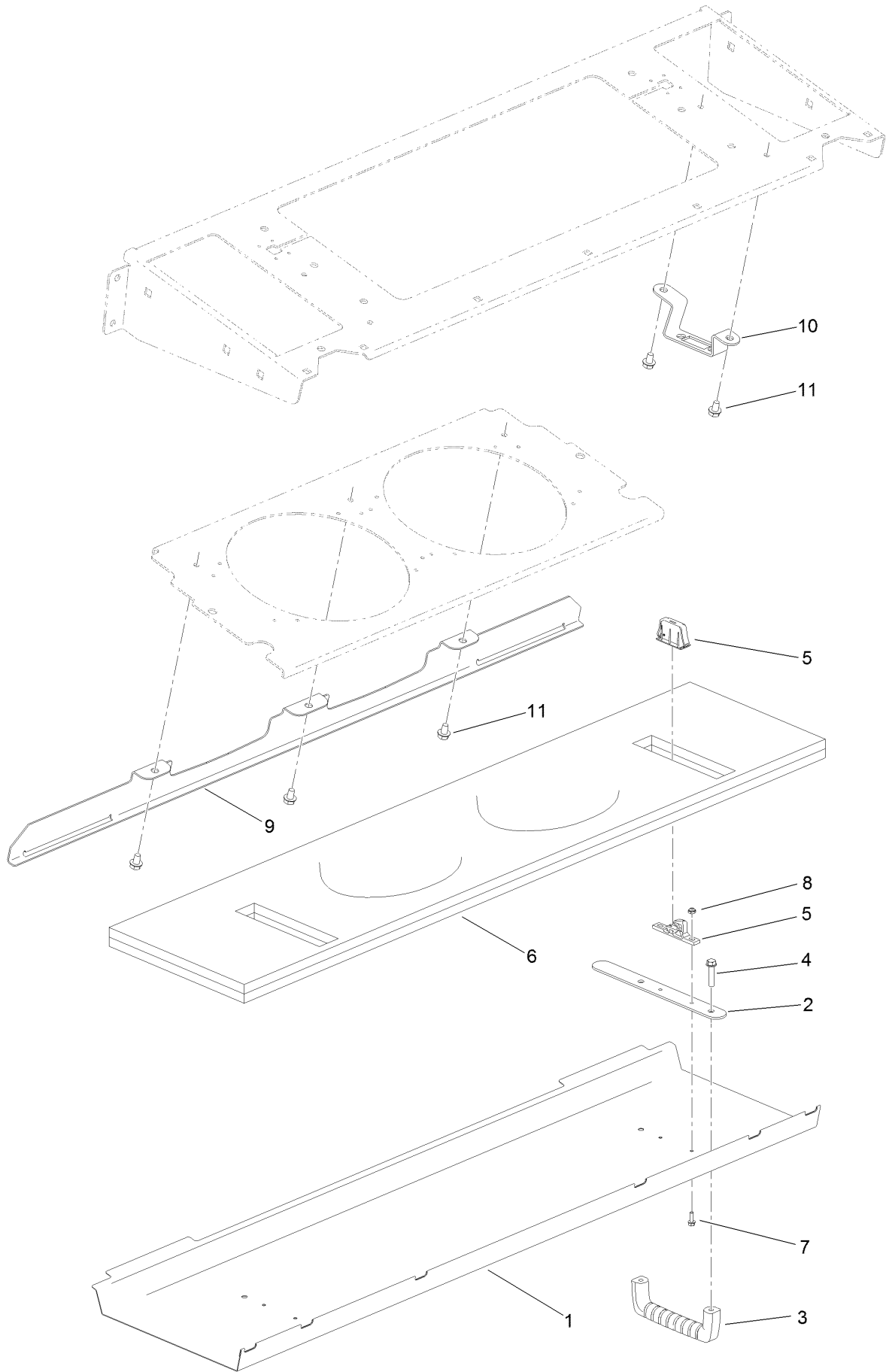
# Engine Hose Routing Assembly



## Engine Hose Routing Assembly (continued)

| <i>Ref.</i> | <i>Part Number</i> | <i>Qty.</i> | <i>Description</i>     | <i>Ref.</i> | <i>Part Number</i> | <i>Qty.</i> | <i>Description</i>       |
|-------------|--------------------|-------------|------------------------|-------------|--------------------|-------------|--------------------------|
| 1           | 120-4947           | 1           | Valve-Heater           | 7:3:1       | 130-5773           | 1           | Fitting Kit              |
| 2           | 130-0578           | 2           | Fitting-Barb, 90 DEG   | 7:3:2       | 117-2779           | 1           | O-Ring                   |
| 3           | 2412-129           | 6           | Clamp-Hose             | 7:3:3       | 117-2783           | 1           | Cap-Side, High           |
| 4           | 125-9702           | 1           | Hose ASM               | 8           | 125-9862           | 1           | Hose ASM                 |
| 4:2         | 130-5753           | 1           | Fitting-45 DEG         | 8:2         | 130-5755           | 1           | Fitting-Female, Straight |
| 4:2:1       | 130-5772           | 1           | Fitting Kit            | 8:2:1       | 130-5775           | 1           | Fitting Kit              |
| 4:2:2       | 117-2778           | 1           | O-Ring                 | 8:2:2       | 117-2780           | 1           | O-Ring                   |
| 4:3         | 130-5751           | 1           | Fitting-Female, 90 DEG | 8:2:3       | 117-2784           | 1           | Cap-Side, Low            |
| 4:3:1       | 130-5772           | 1           | Fitting Kit            | 8:3         | 130-5754           | 1           | Fitting-Male, 45 DEG     |
| 4:3:2       | 117-2778           | 1           | O-Ring                 | 8:3:1       | 130-5775           | 1           | Fitting Kit              |
| 4:4         | 130-5958           | 1           | Cover-Foam             | 8:3:2       | 117-2780           | 1           | O-Ring                   |
| 4:5         | 3290-378           | 8           | Tie-Cable              | 8:4         | 130-5959           | 1           | Cover-Foam               |
| 5           | 125-9703           | 1           | Hose ASM               | 8:5         | 3290-378           | 16          | Tie-Cable                |
| 5:2         | 130-5751           | 2           | Fitting-Female, 90 DEG | 9           | 125-9865           | 2           | Hose-Drain               |
| 5:2:1       | 130-5772           | 1           | Fitting Kit            | 10          | 125-9866           | 2           | Hose-Drain               |
| 5:2:2       | 117-2778           | 1           | O-Ring                 | 11          | 127-9901           | 1           | Hose-Washer Fluid        |
| 5:3         | 130-5958           | 1           | Cover-Foam             | 12          | 125-9864           | 2           | Hose-Heater              |
| 5:4         | 3290-378           | 8           | Tie-Cable              | 15          | 127-9905           | 1           | Fitting-Hose, Barb       |
| 6           | 125-9706           | 1           | Hose-Heater            | 16          | 130-5813           | 1           | Hose-Fuel                |
| 7           | 125-9861           | 1           | Hose ASM               | 17          | 2412-98            | 1           | Clamp-Hose               |
| 7:2         | 130-5752           | 1           | Fitting-Female, 90 DEG | 18          | 2412-73            | 1           | Clamp-R                  |
| 7:2:1       | 130-5773           | 1           | Fitting Kit            | 23          | 133-1025           | 1           | Wrap-Abrasion            |
| 7:2:2       | 117-2778           | 1           | O-Ring                 | 24          | 94-3890            | 2           | Tie-Cable                |
| 7:3         | 130-5758           | 1           | Fitting-Female, 90 DEG |             |                    |             |                          |

# Pre-Filter Screen Assembly

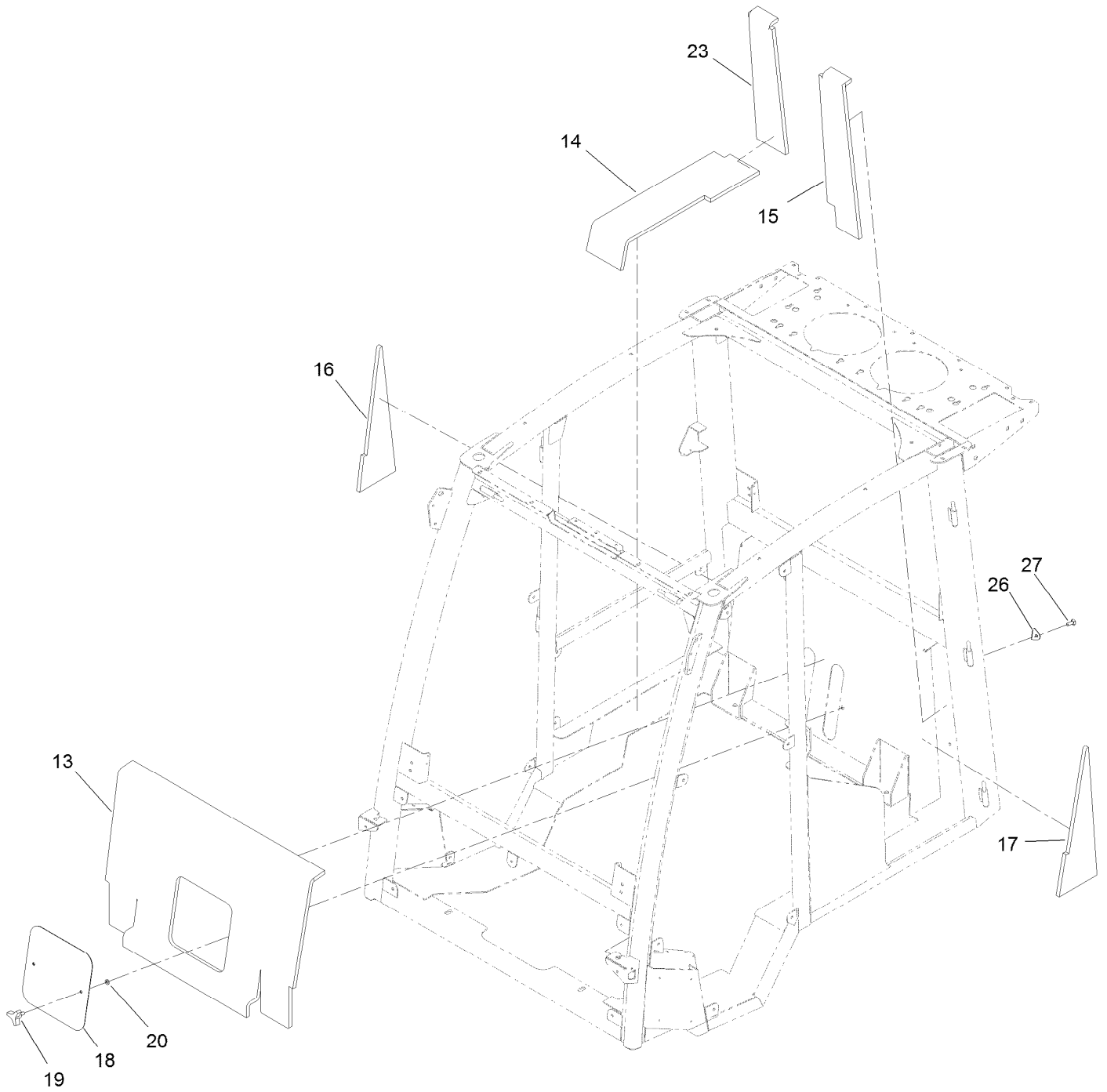




## Pre-Filter Screen Assembly (continued)

| <i>Ref.</i> | <i>Part Number</i> | <i>Qty.</i> | <i>Description</i>  | <i>Ref.</i> | <i>Part Number</i> | <i>Qty.</i> | <i>Description</i>  |
|-------------|--------------------|-------------|---------------------|-------------|--------------------|-------------|---------------------|
| 1           | 130-0640-03        | 1           | Screen              | 7           | 112-3169           | 4           | Screw-HHF, Serrated |
| 2           | 130-0642-03        | 2           | Backplate           | 8           | 3296-54            | 4           | Nut-Lock            |
| 3           | 65-5100            | 2           | Handle-Door         | 9           | 132-3630-03        | 1           | Screen-Mount, Front |
| 4           | 46-8092            | 4           | Screw-Plastite      | 10          | 136-2171           | 2           | Mount-Latch         |
| 5           | 130-0643           | 2           | Latch-Push To Close | 11          | 32104-82           | 7           | Screw-HHF           |
| 6           | 130-5875           | 1           | Pre-Filter          |             |                    |             |                     |

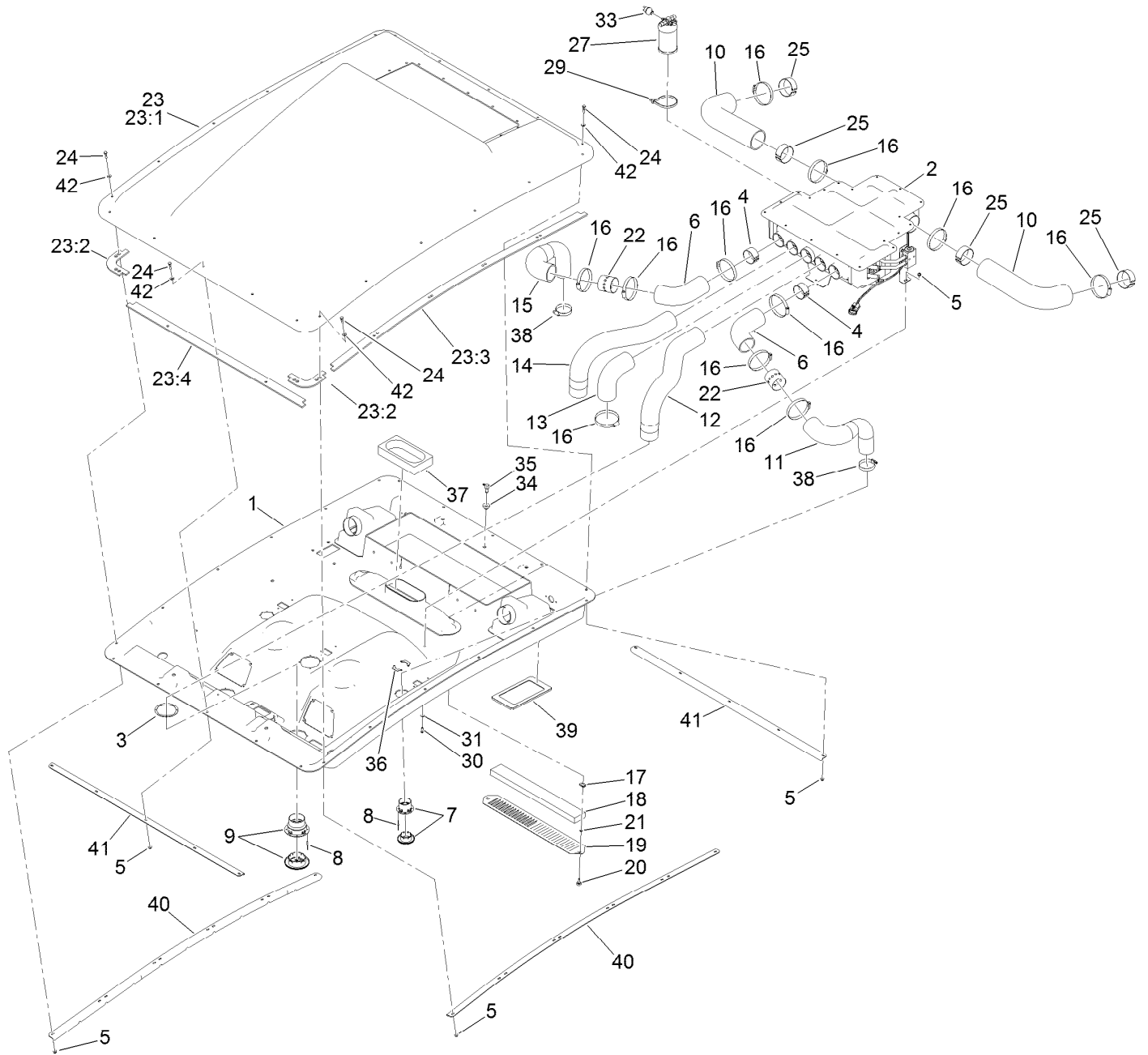
# Interior Foam Assembly



## Interior Foam Assembly (continued)

| <i>Ref.</i> | <i>Part Number</i> | <i>Qty.</i> | <i>Description</i>         | <i>Ref.</i> | <i>Part Number</i> | <i>Qty.</i> | <i>Description</i>        |
|-------------|--------------------|-------------|----------------------------|-------------|--------------------|-------------|---------------------------|
| 13          | 130-0564           | 1           | Foam-Upholstery, Rear      | 19          | 117-5976           | 2           | Knob-Handle               |
| 14          | 136-2179           | 1           | Foam-Interior, RH (Lower)  | 20          | 3296-47            | 2           | Nut-Lock,NI               |
| 15          | 136-2178           | 1           | Foam-Upholstery, Rear (LH) | 23          | 130-5838           | 1           | Foam-Interior, RH (Upper) |
| 16          | 130-0561           | 1           | Foam-Upholstery, Side (RH) | 26          | 132-3495           | 2           | Retainer-Cover            |
| 17          | 130-0570           | 1           | Foam-Upholstery, Rear (LH) | 27          | 3230-22            | 2           | Screw-CARR                |
| 18          | 121-8161-03        | 1           | Plate-Panel, Access        |             |                    |             |                           |

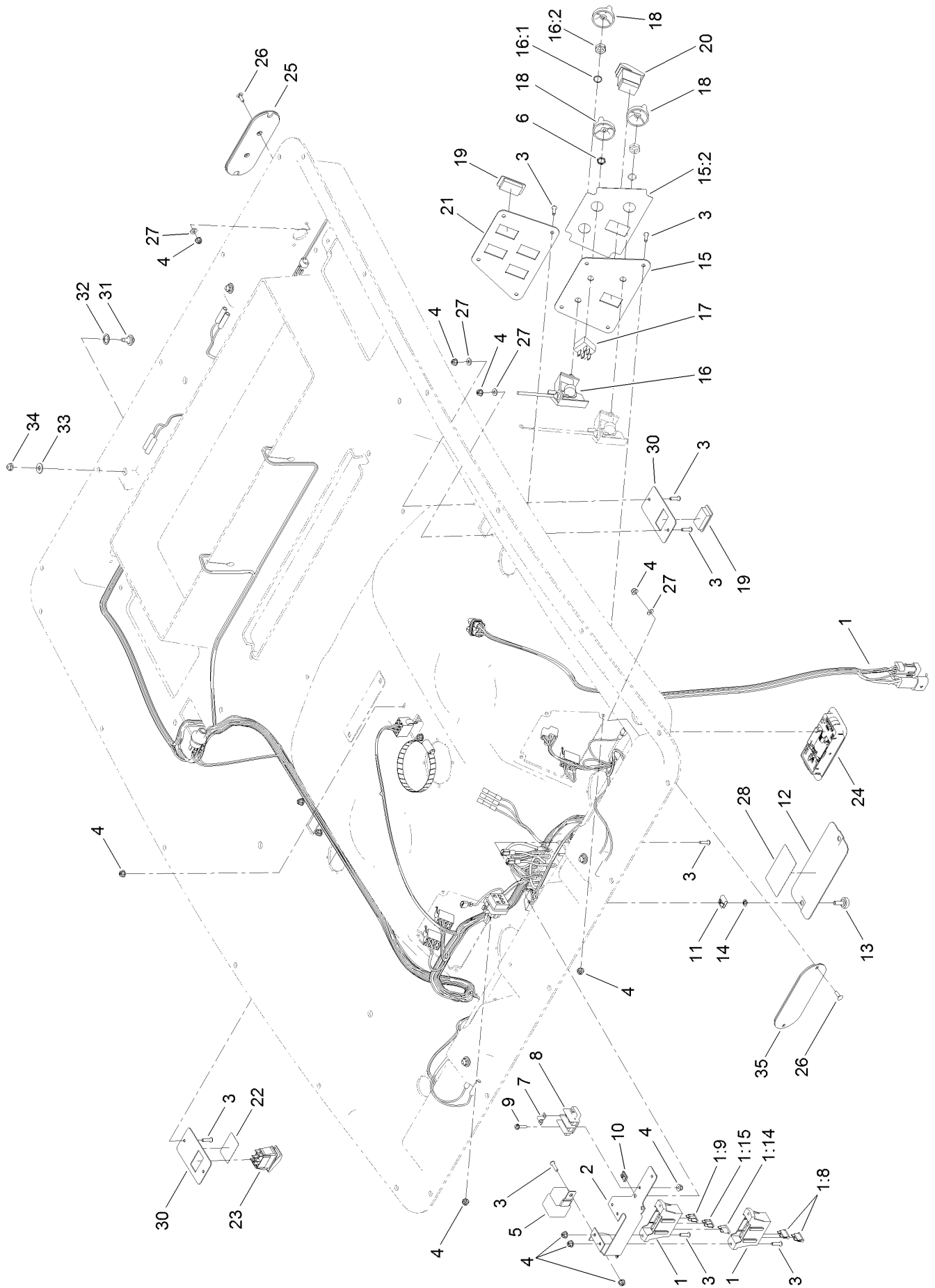
# Roof and Headliner Assembly



## Roof and Headliner Assembly (continued)

| <i>Ref.</i> | <i>Part Number</i> | <i>Qty.</i> | <i>Description</i>                | <i>Ref.</i> | <i>Part Number</i> | <i>Qty.</i> | <i>Description</i>    |
|-------------|--------------------|-------------|-----------------------------------|-------------|--------------------|-------------|-----------------------|
| 1           | 121-8470           | 1           | Headliner                         | 22          | 130-5927           | 2           | Adapter-Bleed         |
| 2           | 121-8495           | 1           | Box-Mixing, Heater A/C            | 23          | 132-3601           | 1           | Roof ASM              |
| 3           | 130-0558           | 3           | Backplate-Rivet                   | 23:1        | 132-3602           | 1           | Roof                  |
| 4           | 130-5938           | 2           | Tube-Support                      | 23:2        | 130-5961           | 4           | Seal-Corner           |
| 5           | 104-7201           | 24          | Nut-HF, NI                        | 23:3        | 130-5960           | 2           | Seal-Side             |
| 6           | 130-5860           | 2           | Hose-Vent                         | 23:4        | 130-5962           | 2           | Seal-Front, Rear      |
| 7           | 130-0455           | 2           | Louver-Round, Snap-In             | 24          | 136-8674           | 22          | Bolt-Pivot, Eccentric |
| 8           | 125-7503           | 20          | Rivet-Pop                         | 25          | 130-5939           | 4           | Tube-Support          |
| 9           | 130-0465           | 3           | Louver-Round, Snap-In (4<br>Inch) | 27          | 130-5999           | 1           | Drier-Receiver        |
| 10          | 121-8473           | 2           | Hose-Intake, Fresh Air            | 29          | 3334-945           | 2           | Tie-Cable             |
| 11          | 130-5861           | 1           | Hose-Vent, Outer (LH)             | 30          | 3274-69            | 2           | Screw-HSBH            |
| 12          | 121-8477           | 1           | Hose-Vent, Defrost (LH)           | 31          | 3256-1             | 2           | Washer-Flat           |
| 13          | 130-0437           | 1           | Hose-Vent, Center                 | 33          | 119-4501           | 1           | Switch-Function, Dual |
| 14          | 121-8478           | 1           | Hose-Vent, Defrost (RH)           | 34          | 46-6560            | 1           | Bushing               |
| 15          | 130-5862           | 1           | Hose-Vent, Outer (RH)             | 35          | 104-5228           | 1           | Fitting-Elbow, 90 DEG |
| 16          | 2412-110           | 11          | Clamp-Band/Screw                  | 36          | 130-0445           | 4           | Backplate-Rivet       |
| 17          | 107069             | 2           | Clip                              | 37          | 130-0444           | 1           | Foam-Inlet, Airbox    |
| 18          | 125-9532           | 1           | Filter-Cab, Inside                | 38          | 2412-130           | 2           | Clamp-Hose            |
| 19          | 125-9604-03        | 1           | Plate-Cover, Recirculation        | 39          | 132-3474           | 2           | Insert-Seal, Filter   |
| 20          | 125-7438           | 2           | Knob-Screw, Thumb                 | 40          | 132-1461-03        | 2           | Strap-Cab, Side       |
| 21          | 106-8737           | 2           | Nut-Retainer                      | 41          | 132-1462-03        | 2           | Strap-Cab             |
|             |                    |             |                                   | 42          | 3256-74            | 22          | Washer-Flat           |

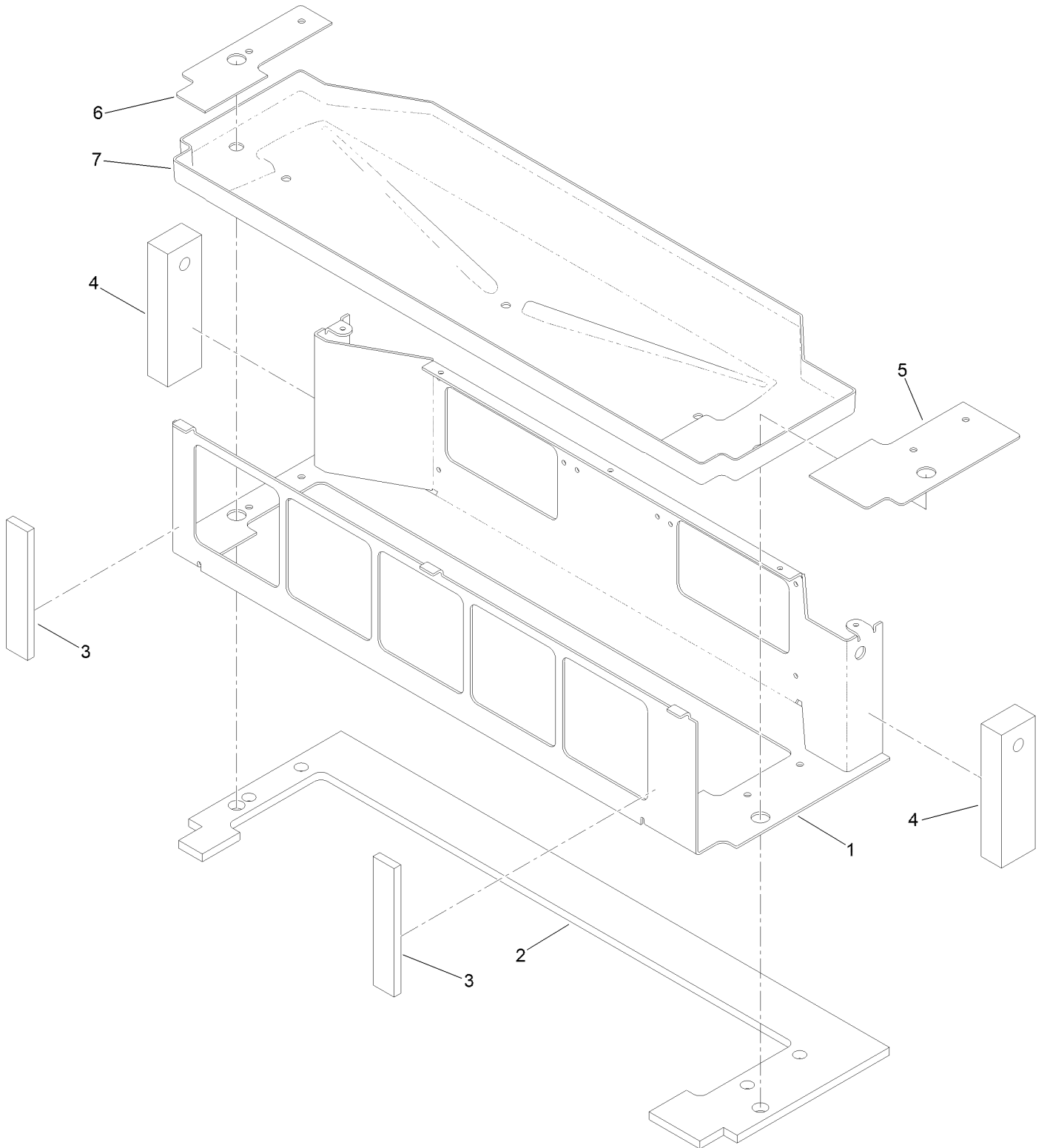
# Headliner Wire Harness and Control Assembly



# Headliner Wire Harness and Control Assembly (continued)

| <i>Ref.</i> | <i>Part Number</i> | <i>Qty.</i> | <i>Description</i>      | <i>Ref.</i> | <i>Part Number</i> | <i>Qty.</i> | <i>Description</i>           |
|-------------|--------------------|-------------|-------------------------|-------------|--------------------|-------------|------------------------------|
| 1           | 122-0723           | 1           | Harness-Wire, Headliner | 16:1        | 3254-20            | 1           | Washer-Lock, Int             |
| 1:8         | 109355             | 2           | Fuse-Blade, 15 Amp      | 16:2        | 3220-4             | 1           | Nut-Jam                      |
| 1:9         | 109103             | 1           | Fuse-Blade, 30 Amp      | 17          | 122-0150           | 1           | Switch, Rotary               |
| 1:14        | 109101             | 1           | Fuse-Blade, 20 Amp      | 18          | 125-9510           | 3           | Knob-Control                 |
| 1:15        | 109102             | 1           | Fuse-Blade, 25 Amp      | 19          | 99-7420            | 6           | Plug-Hole                    |
| 2           | 125-9606-03        | 1           | Bracket-Fuse Block      | 20          | 95-8999            | 1           | Switch-Rocker,<br>On-None-On |
| 3           | 104-2408           | 22          | Screw-HSBH              | 21          | 125-9691-03        | 1           | Panel-Switch, Lights         |
| 4           | 120-4578           | 29          | Nut-HF                  | 22          | 125-9688           | 1           | Decal-Washer                 |
| 5           | 99-7430            | 1           | Relay-Mini              | 23          | 119-8355           | 1           | Switch-Rocker                |
| 6           | 130-0588           | 1           | Nut-Switch              | 24          | 125-7437           | 1           | Light-Dome                   |
| 7           | 42863              | 1           | Strip-Jumper            | 25          | 130-5867           | 2           | Cover-Light, Rear            |
| 8           | 42862              | 1           | Block-Terminal, Ground  | 26          | 3229-34            | 8           | Screw-CARR                   |
| 9           | 32105-13           | 3           | Screw-HWH               | 27          | 3256-14            | 14          | Washer-Flat                  |
| 10          | 107-1013           | 4           | Nut-Speed               | 28          | 132-3600           | 1           | Decal-Panel, Fuse            |
| 11          | 609900             | 2           | Nut-Speed               | 30          | 130-0436           | 3           | Panel-Switch                 |
| 12          | 125-9603-03        | 1           | Plate-Cover, Fuse       | 31          | 92-9698            | 4           | Screw-Shoulder               |
| 13          | 125-7438           | 2           | Knob-Screw, Thumb       | 32          | 94-8196            | 4           | Washer-Nylon                 |
| 14          | 106-8737           | 2           | Nut-Retainer            | 33          | 3256-2             | 4           | Washer-Flat                  |
| 15          | 121-8481           | 1           | Panel-Air/Heat          | 34          | 104-7201           | 4           | Nut-HF, NI                   |
| 15:2        | 121-8378           | 1           | Decal, Air/Heat         | 35          | 130-5868           | 2           | Cover-Light, Front           |
| 16          | 125-9677           | 1           | Control-Rotary, Linear  |             |                    |             |                              |

# Mixing Box Mounting Bracket and Water Tray Assembly

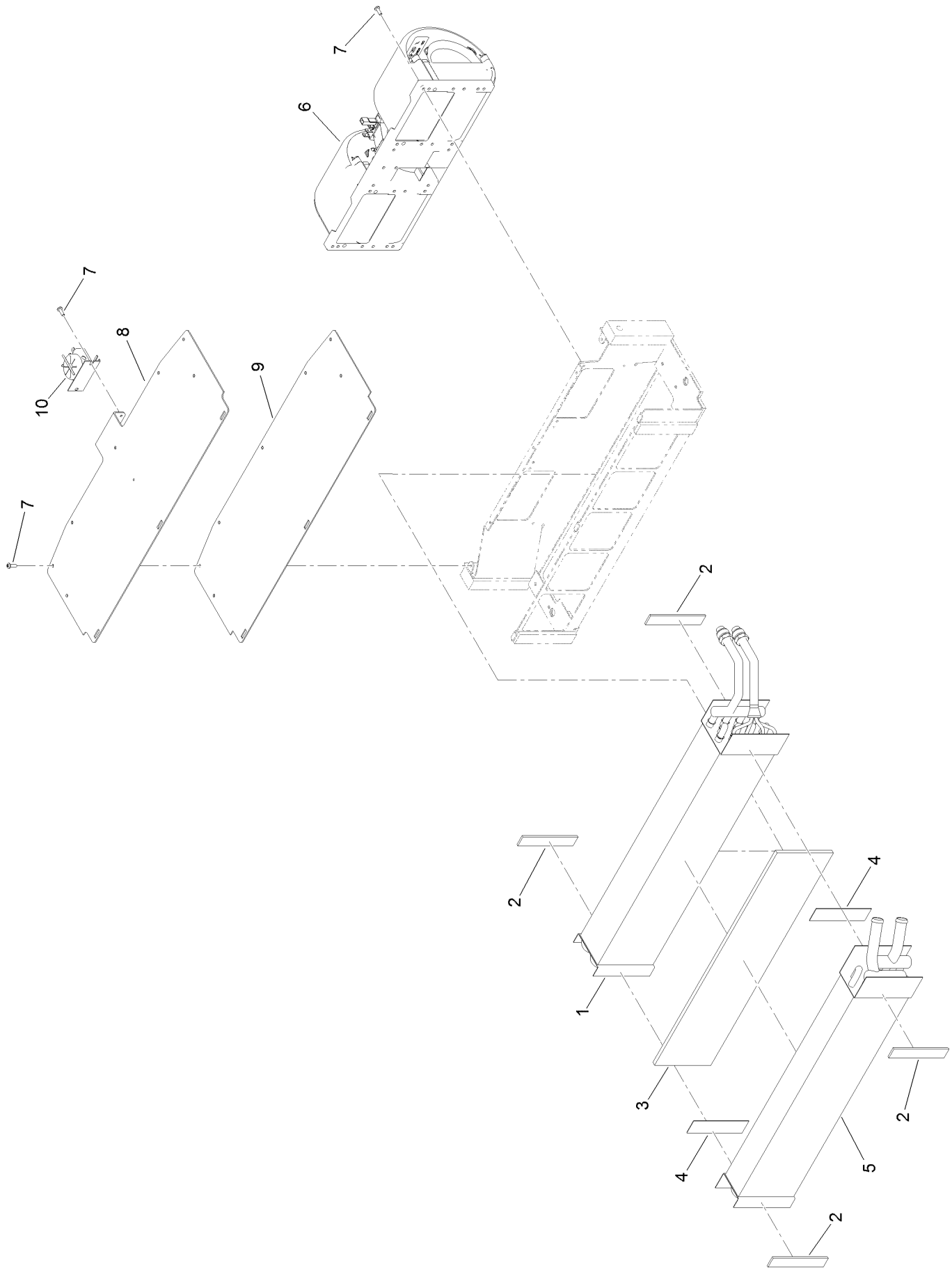




## Mixing Box Mounting Bracket and Water Tray Assembly (continued)

| <i>Ref.</i> | <i>Part Number</i> | <i>Qty.</i> | <i>Description</i> | <i>Ref.</i> | <i>Part Number</i> | <i>Qty.</i> | <i>Description</i>       |
|-------------|--------------------|-------------|--------------------|-------------|--------------------|-------------|--------------------------|
| 1           | 130-5655-03        | 1           | Bracket-Mount      | 5           | 130-5653           | 1           | Gasket-Mount, LH Bracket |
| 2           | 130-5659           | 1           | Seal-Foam          | 6           | 130-5654           | 1           | Gasket-Mount, RH Bracket |
| 3           | 130-5808           | 2           | Seal-Foam, Front   | 7           | 130-5660           | 1           | Tray-Water               |
| 4           | 130-0602           | 2           | Seal-End           |             |                    |             |                          |

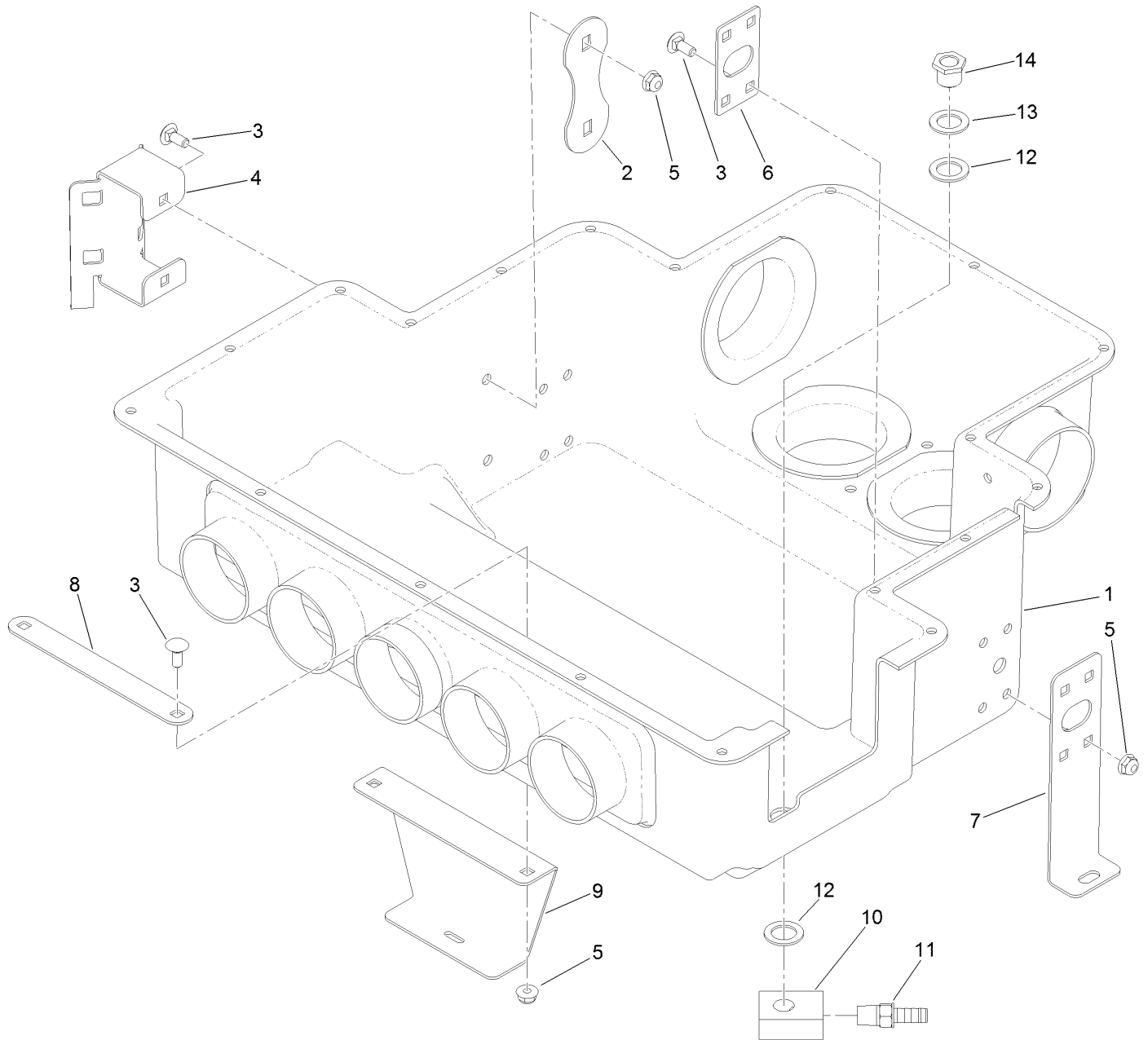
# Blower Fan and Evaporator Core Assembly



## Blower Fan and Evaporator Core Assembly (continued)

| <i>Ref.</i> | <i>Part Number</i> | <i>Qty.</i> | <i>Description</i> | <i>Ref.</i> | <i>Part Number</i> | <i>Qty.</i> | <i>Description</i>             |
|-------------|--------------------|-------------|--------------------|-------------|--------------------|-------------|--------------------------------|
| 1           | 130-5392           | 1           | Core-Evaporator    | 7           | 363-8245           | 13          | Screw-TAP                      |
| 2           | 130-5658           | 4           | Gasket-Coil        | 8           | 130-5656-03        | 1           | Cover, Bracket-Mount           |
| 3           | 130-5807           | 1           | Foam               | 9           | 130-5652           | 1           | Gasket-Mount, Cover<br>Bracket |
| 4           | 130-5806           | 2           | Tape, Double-Sided | 10          | 121-8385           | 1           | Thermostat-Switch, Freeze      |
| 5           | 127-9915           | 1           | Core-Heater        |             |                    |             |                                |
| 6           | 121-8451           | 1           | Fan-Blower         |             |                    |             |                                |

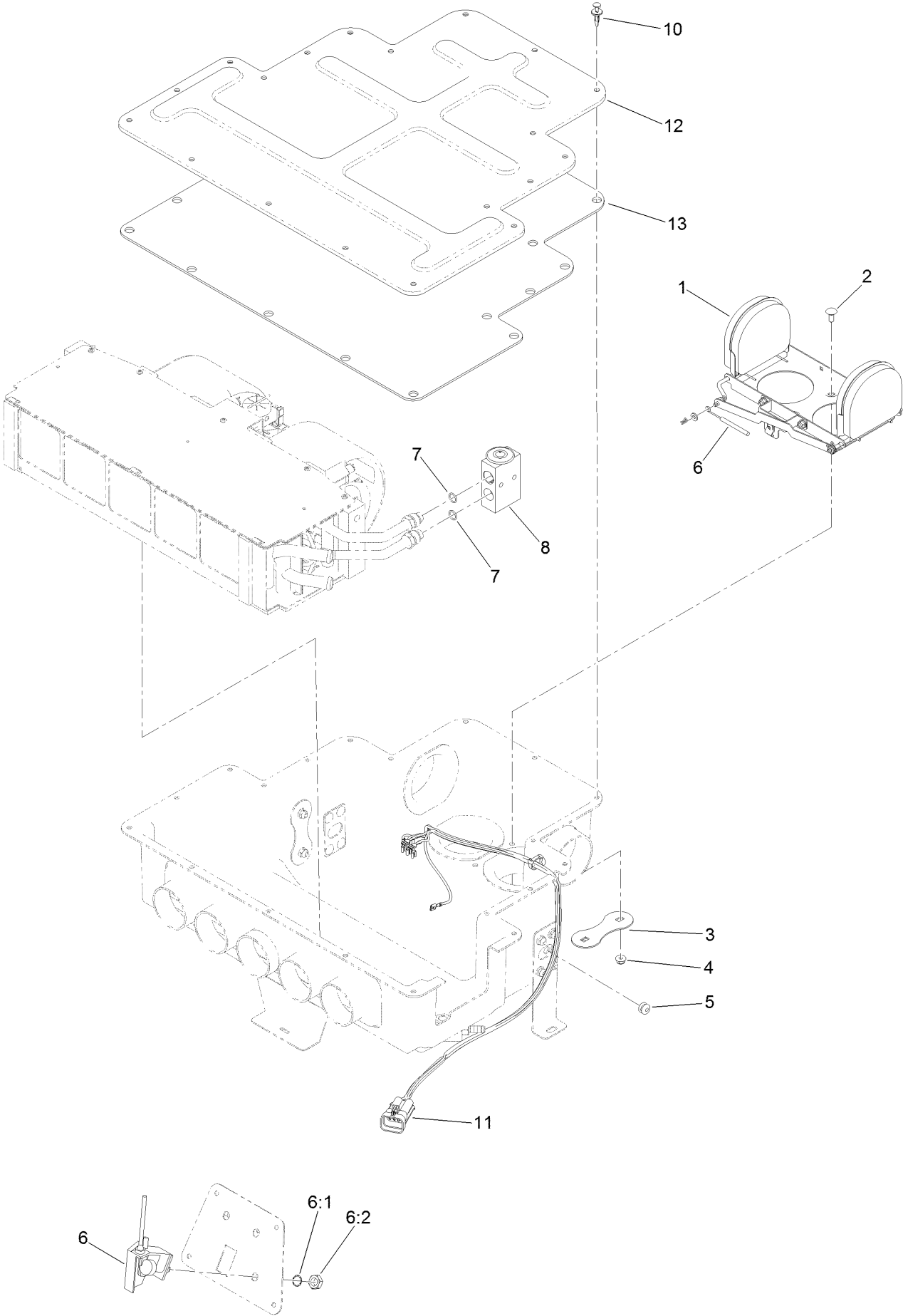
# Heat/Air Conditioner Housing Assembly



## Heat/Air Conditioner Housing Assembly (continued)

| <i>Ref.</i> | <i>Part Number</i> | <i>Qty.</i> | <i>Description</i>   | <i>Ref.</i> | <i>Part Number</i> | <i>Qty.</i> | <i>Description</i>     |
|-------------|--------------------|-------------|----------------------|-------------|--------------------|-------------|------------------------|
| 1           | 130-5830           | 1           | Housing-Heat/AC      | 8           | 125-7504           | 1           | Plate-Backer, Center   |
| 2           | 121-8491           | 1           | Plate-Support        | 9           | 130-0554           | 1           | Bracket-Airbox, Center |
| 3           | 3229-11            | 12          | Screw-CARR           | 10          | 130-5601           | 2           | Drain-Lower            |
| 4           | 121-8490           | 1           | Bracket-Mount, Drier | 11          | 108-0342           | 2           | Fitting-Straight       |
| 5           | 104-7201           | 12          | Nut-HF, NI           | 12          | 121-6840           | 4           | Washer-Rubber          |
| 6           | 130-5834           | 2           | Bracket-Support      | 13          | 107-3041           | 2           | Washer-Flat            |
| 7           | 130-5821           | 2           | Bracket-Airbox, Side | 14          | 130-0293           | 2           | Drain-Upper            |

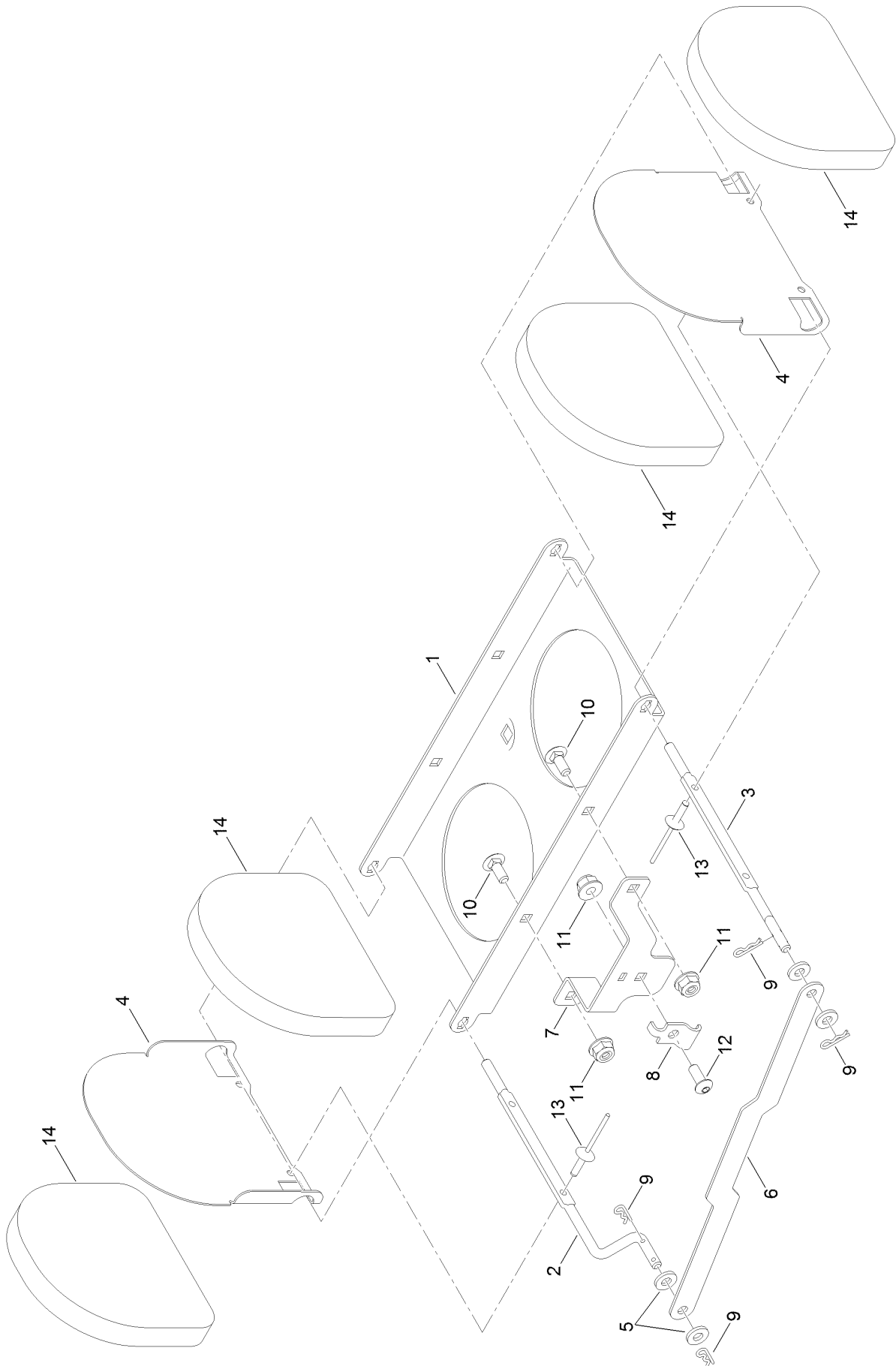
# Air Diverter and Expansion Valve Assembly



## Air Diverter and Expansion Valve Assembly (continued)

| <i>Ref.</i> | <i>Part Number</i> | <i>Qty.</i> | <i>Description</i>     | <i>Ref.</i> | <i>Part Number</i> | <i>Qty.</i> | <i>Description</i>              |
|-------------|--------------------|-------------|------------------------|-------------|--------------------|-------------|---------------------------------|
| 1           | 121-8369           | 1           | Air Diverter ASM       | 7           | 125-9524           | 2           | O-Ring                          |
| 2           | 3229-11            | 2           | Screw-CARR             | 8           | 121-8384           | 1           | Valve-Expansion                 |
| 3           | 121-8491           | 1           | Plate-Support          | 10          | 125-9622           | 19          | Rivet-Blind                     |
| 4           | 104-7201           | 2           | Nut-HF, NI             | 11          | 122-0153           | 1           | Harness-Wire, Heat/AC<br>Blower |
| 5           | 125-7528           | 1           | Grommet-Cable          | 12          | 121-8449           | 1           | Housing-Ventilation, Upper      |
| 6           | 125-9678           | 1           | Control-Rotary, Linear | 13          | 130-5614           | 1           | Insulation-Cover                |
| 6:1         | 3254-20            | 1           | Washer-Lock, Int       |             |                    |             |                                 |
| 6:2         | 3220-4             | 1           | Nut-Jam                |             |                    |             |                                 |

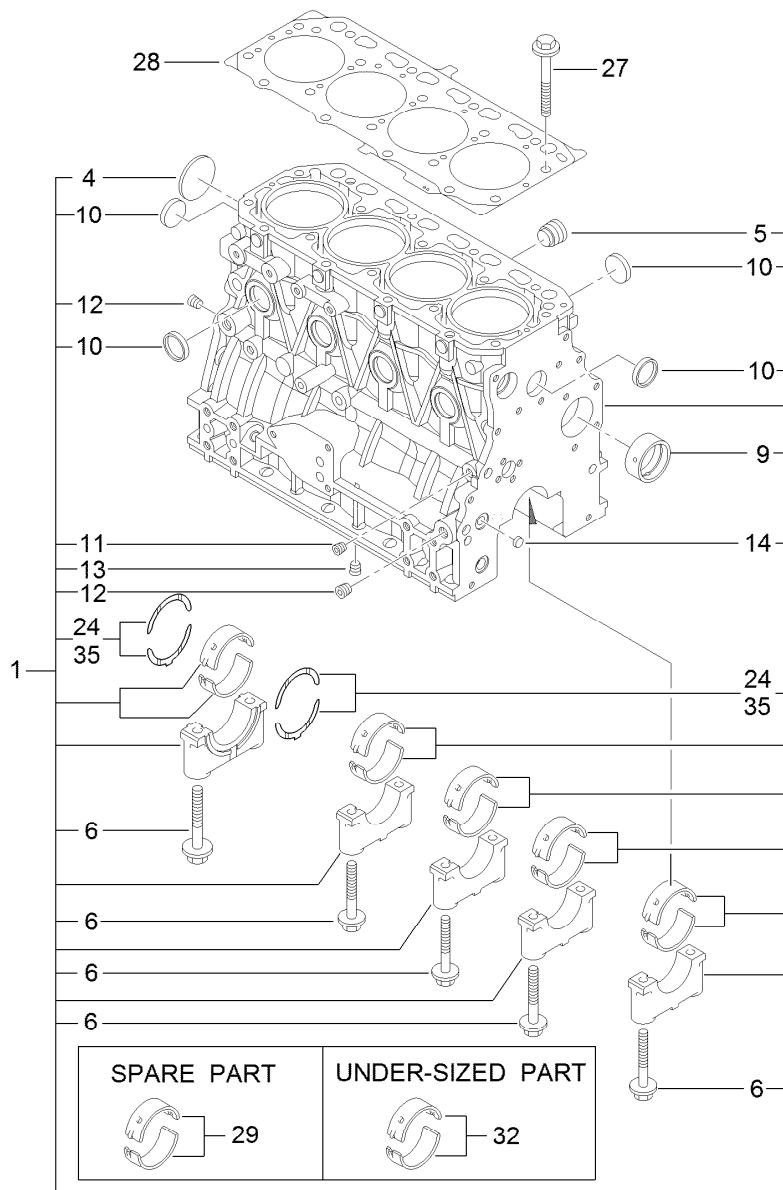
# Air Diverter Assembly No. 121-8369





## Air Diverter Assembly No. 121-8369 (continued)

| <i>Ref.</i> | <i>Part Number</i> | <i>Qty.</i> | <i>Description</i> | <i>Ref.</i> | <i>Part Number</i> | <i>Qty.</i> | <i>Description</i> |
|-------------|--------------------|-------------|--------------------|-------------|--------------------|-------------|--------------------|
| 1           | 125-9697           | 1           | Base-Mount         | 8           | 121-8256           | 1           | Clamp-Conduit      |
| 2           | 121-8381           | 1           | Shaft-Baffle, RH   | 9           | 108-2992           | 4           | Pin-Hair           |
| 3           | 121-8382           | 1           | Shaft-Baffle, LH   | 10          | 1-807513           | 2           | Bolt-CARR          |
| 4           | 125-9698           | 2           | Baffle-Air         | 11          | 120-4578           | 3           | Nut-HF             |
| 5           | 3256-51            | 4           | Washer-Flat        | 12          | 115-9830           | 1           | Screw-HSBH         |
| 6           | 125-9696           | 1           | Link-Baffle        | 13          | 3290-271           | 4           | Rivet-Pop          |
| 7           | 121-8374           | 1           | Mount-Cable        | 14          | 125-9699           | 4           | Damper-Foam        |



## Cylinder Block Assembly

| <i>Ref.</i> | <i>Part Number</i> | <i>Qty.</i> | <i>Description</i> | <i>Ref.</i> | <i>Part Number</i> | <i>Qty.</i> | <i>Description</i>    |
|-------------|--------------------|-------------|--------------------|-------------|--------------------|-------------|-----------------------|
| 1           | 127-3127           | 1           | Cylinder Block ASM | 13          | 125-6973           | 1           | Plug                  |
| 4           | 125-6980           | 1           | Plug               | 14          | 125-7237           | 1           | Plug                  |
| 5           | 125-7170           | 1           | Plug               | 24          | 125-7010           | 2           | Metal-Thrust          |
| 6           | 125-7007           | 10          | Bolt               | 27          | 125-7006           | 18          | Bolt                  |
| 9           | 125-7108           | 1           | Bushing            | 28          | 127-3126           | 1           | Gasket-Head, Cylinder |
| 10          | 125-7239           | 8           | Plug               | 29          | 125-6981           | 5           | Metal-Main            |
| 11          | 125-6969           | 1           | Plug               | 32          | 125-7009           | 5           | Metal-Main (0.25)     |
| 12          | 125-6973           | 2           | Plug               | 35          | 125-7011           | 1           | Metal-Thrust (0.25)   |




## Gear Housing Assembly

| <i>Ref.</i> | <i>Part Number</i> | <i>Qty.</i> | <i>Description</i> | <i>Ref.</i> | <i>Part Number</i> | <i>Qty.</i> | <i>Description</i> |
|-------------|--------------------|-------------|--------------------|-------------|--------------------|-------------|--------------------|
| 1           | 127-3023           | 1           | Case-Gear          | 11          | 125-6944           | 1           | Seal-Oil           |
| 2           | 125-6995           | 2           | Pin                | 12          | 125-6977           | 1           | Cover              |
| 3           | 125-6972           | 1           | Cover-Filler       | 13          | 125-7174           | 1           | Washer-Seal        |
| 4           | 125-7107           | 2           | Pipe               | 14          | 125-7214           | 4           | Bolt               |
| 5           | 125-6909           | 2           | O-Ring             | 15          | 125-7217           | 1           | Bolt               |
| 6           | 127-2973           | 1           | O-Ring             | 16          | 125-7218           | 7           | Bolt               |
| 7           | 125-7197           | 1           | O-Ring             | 17          | 125-7222           | 3           | Bolt               |
| 8           | 125-7214           | 3           | Bolt               | 18          | 125-7224           | 4           | Bolt               |
| 9           | 127-3024           | 1           | Gearcase Cover ASM |             |                    |             |                    |

# Cylinder Head and Cover Assembly

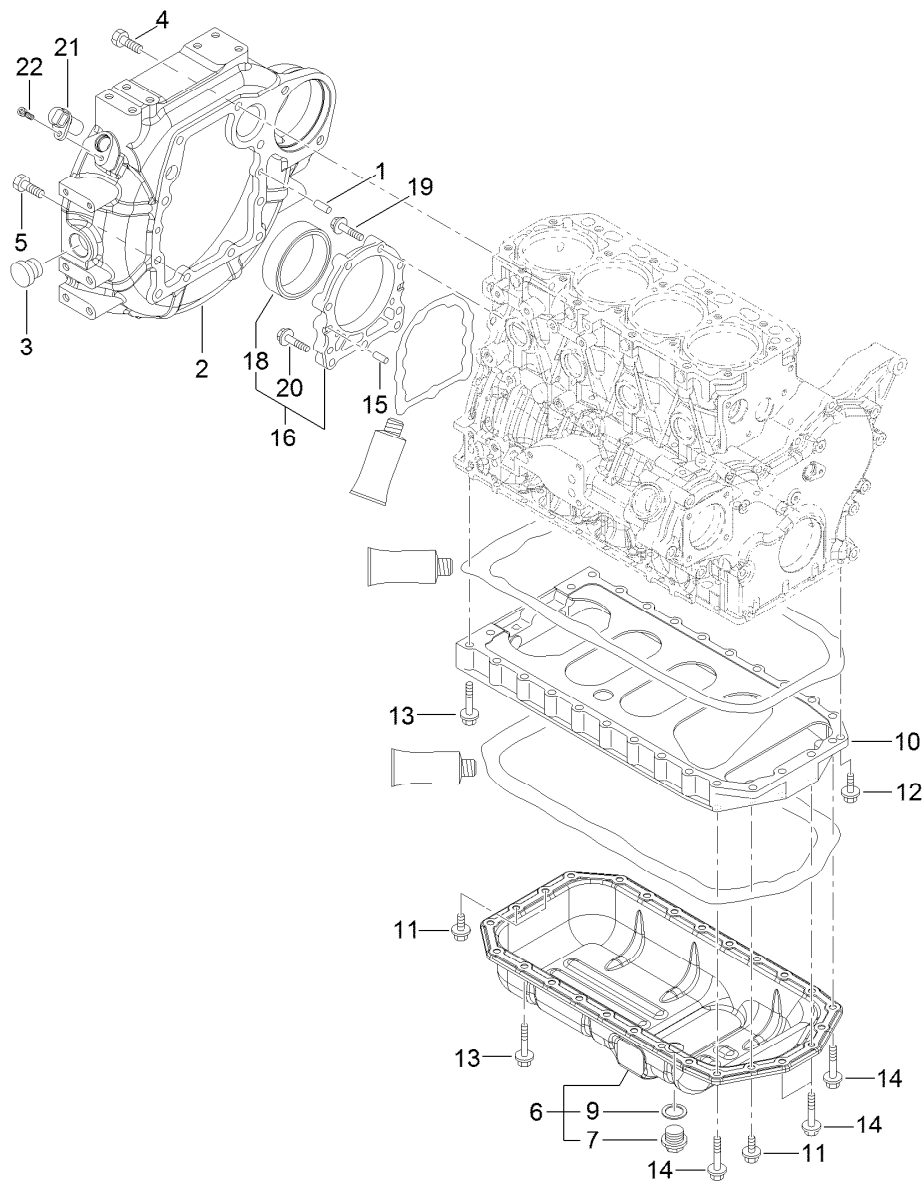


**SPARE PARTS**

76 —  — 75

## Cylinder Head and Cover Assembly (continued)

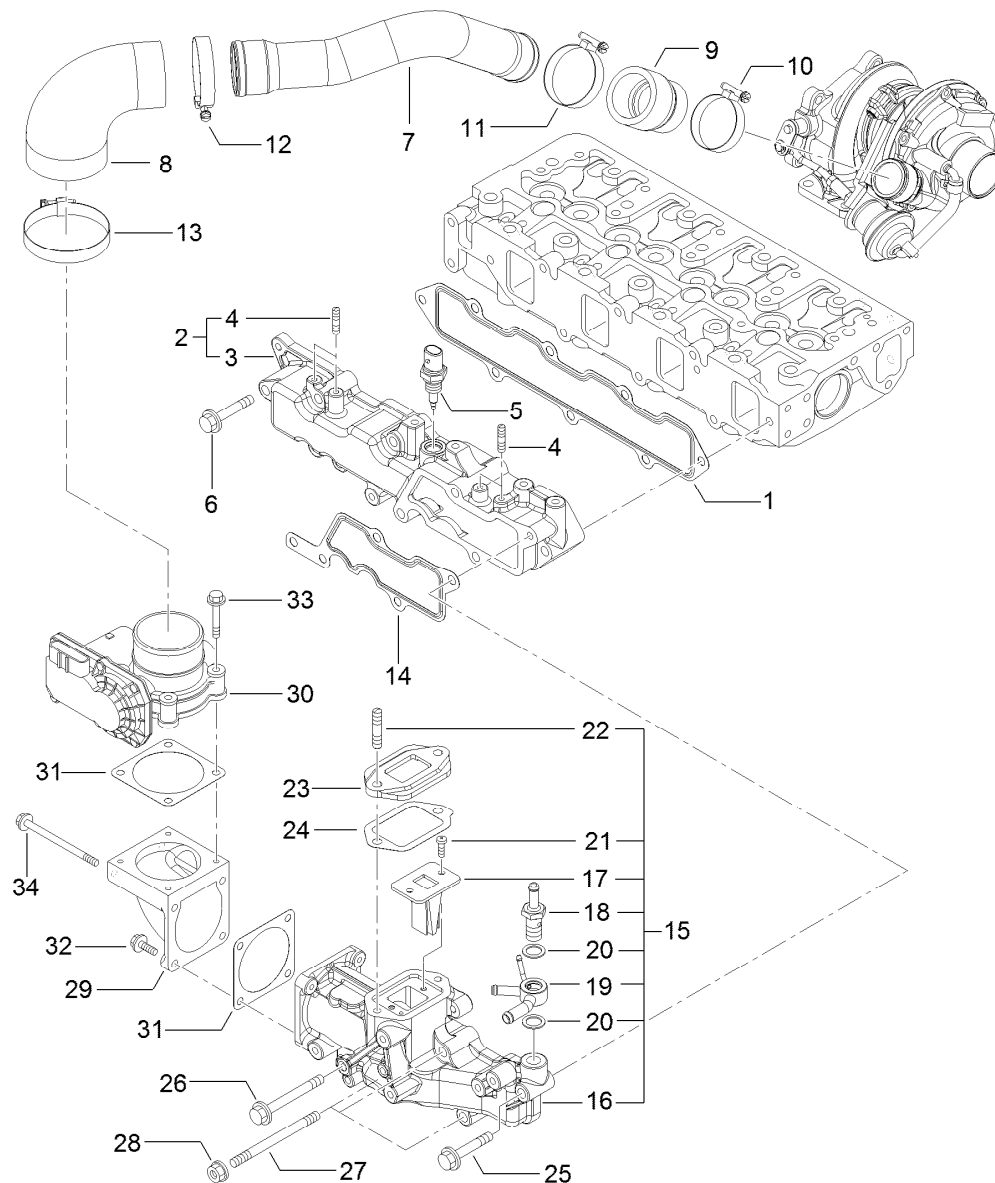
| <i>Ref.</i> | <i>Part Number</i> | <i>Qty.</i> | <i>Description</i>      | <i>Ref.</i> | <i>Part Number</i> | <i>Qty.</i> | <i>Description</i>      |
|-------------|--------------------|-------------|-------------------------|-------------|--------------------|-------------|-------------------------|
| 1           | 127-3005           | 1           | Shaft ASM               | 42          | 125-6961           | 1           | Plate-Breather          |
| 2           | 127-3006           | 1           | Shaft                   | 43          | 125-6962           | 1           | Spring-Diaphragm        |
| 4           | 127-2974           | 2           | Support                 | 45          | 127-3106           | 1           | Gasket-Cover            |
| 5           | 127-2975           | 3           | Support                 | 46          | 127-3026           | 1           | Joint                   |
| 6           | 127-2995           | 4           | Spring                  | 47          | 125-6994           | 1           | Spring                  |
| 7           | 127-2989           | 8           | Arm-Rocker              | 48          | 127-3029           | 1           | Sensor-Pressure         |
| 8           | 125-7013           | 8           | Screw-Adjust, Valve     | 49          | 127-3032           | 2           | O Ring-Sensor, Pressure |
| 10          | 125-7014           | 8           | Nut                     | 50          | 127-3040           | 1           | Hose ASM                |
| 11          | 127-3183           | 3           | Stud                    | 52          | 127-3041           | 2           | Clip-Hose               |
| 12          | 127-2996           | 8           | Cap-Valve               | 53          | 125-6913           | 1           | Plug                    |
| 13          | 127-3132           | 1           | Cylinder Head ASM       | 54          | 125-7186           | 4           | Screw                   |
| 21          | 125-7240           | 2           | Plug                    | 55          | 125-7186           | 6           | Screw                   |
| 22          | 127-2990           | 4           | Valve                   | 56          | 125-7186           | 1           | Screw                   |
| 23          | 127-3012           | 8           | Spring                  | 57          | 127-3184           | 2           | Bolt                    |
| 24          | 127-2994           | 4           | Valve                   | 58          | 125-6974           | 3           | Knob                    |
| 25          | 127-3013           | 8           | Retainer-Spring         | 59          | 127-2978           | 1           | Plug                    |
| 26          | 127-2986           | 4           | Seal-Stem, Valve        | 60          | 93-0418            | 3           | O-Ring                  |
| 27          | 127-3027           | 4           | Seal-Stem, Valve        | 61          | 127-3128           | 1           | Joint-Breather          |
| 28          | 127-3186           | 8           | Pin-Cotter              | 62          | 127-3129           | 1           | Breather Hose ASM       |
| 30          | 127-3021           | 4           | Gasket-Injector         | 64          | 125-7040           | 2           | Clip-Hose               |
| 31          | 127-3028           | 4           | Retainer-Injector       | 66          | 127-3133           | 1           | Hose-Intake             |
| 32          | 127-2980           | 4           | Washer-Injector         | 67          | 127-3030           | 1           | Sensor-Temp, Air        |
| 33          | 125-7184           | 2           | Pin-Spring              | 68          | 127-3033           | 1           | O-Ring                  |
| 34          | 125-7215           | 3           | Bolt                    | 69          | 125-7190           | 2           | Clamp-Hose              |
| 35          | 125-7217           | 4           | Bolt                    | 70          | 125-7208           | 1           | Bolt                    |
| 36          | 125-7220           | 7           | Bolt                    | 71          | 127-3130           | 1           | Lifter-Engine           |
| 37          | 127-3131           | 1           | Cylinder Head Cover ASM | 72          | 125-7214           | 2           | Bolt                    |
| 38          | 127-2988           | 1           | Plate                   | 73          | 127-2991           | 4           | Plug-Glow               |
| 39          | 125-7012           | 1           | Baffle                  | 74          | 127-3123           | 1           | Connector-Glow Plug     |
| 40          | 125-6959           | 1           | Diaphragm               | 75          | 127-2979           | 4           | Guide                   |
| 41          | 125-6960           | 1           | Plate                   | 76          | 127-2997           | 4           | Guide-Valve             |



## Flywheel Housing and Oil Sump Assembly

| <i>Ref.</i> | <i>Part Number</i> | <i>Qty.</i> | <i>Description</i> |
|-------------|--------------------|-------------|--------------------|
| 1           | 125-6995           | 2           | Pin                |
| 2           | 127-3025           | 1           | Housing-Flywheel   |
| 3           | 125-6910           | 1           | Cap                |
| 4           | 125-7226           | 6           | Bolt               |
| 5           | 125-7227           | 4           | Bolt               |
| 6           | 125-7241           | 1           | Oil Sump ASM       |
| 7           | 125-6912           | 1           | Plug-Drain         |
| 9           | 125-7177           | 1           | Washer-Seal        |
| 10          | 125-7035           | 1           | Spacer             |
| 11          | 125-7214           | 4           | Bolt               |

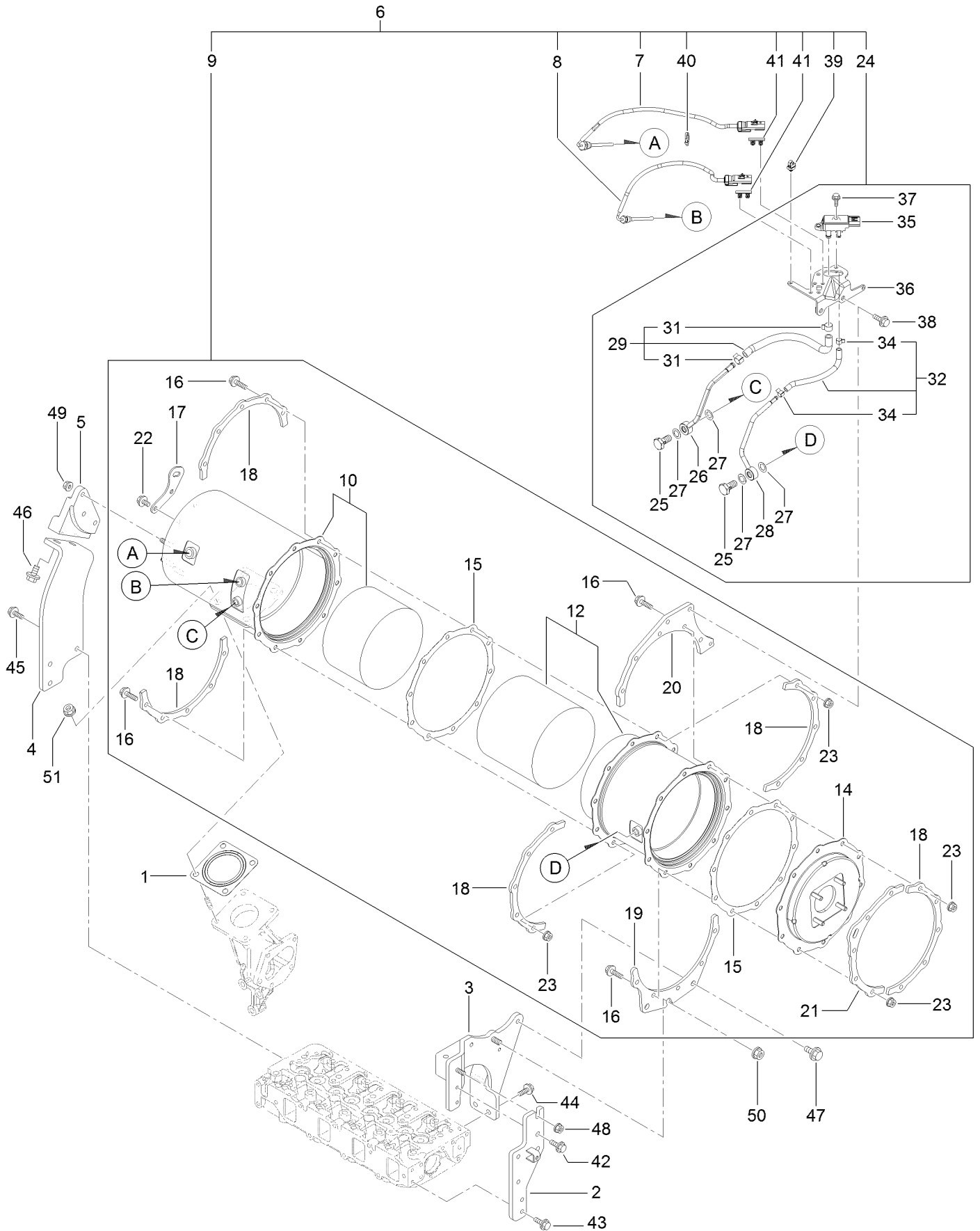
| <i>Ref.</i> | <i>Part Number</i> | <i>Qty.</i> | <i>Description</i>   |
|-------------|--------------------|-------------|----------------------|
| 12          | 125-7215           | 2           | Bolt                 |
| 13          | 125-7219           | 20          | Bolt                 |
| 14          | 125-7220           | 4           | Bolt                 |
| 15          | 125-6995           | 2           | Pin                  |
| 16          | 125-6996           | 1           | Case ASM             |
| 18          | 125-7106           | 1           | Seal-Oil             |
| 19          | 125-7045           | 6           | Bolt                 |
| 20          | 125-7217           | 3           | Bolt                 |
| 21          | 127-3062           | 1           | Sensor-Rev, Flywheel |
| 22          | 127-3184           | 1           | Bolt                 |



## Suction Manifold Assembly

| Ref. | Part Number | Qty. | Description             | Ref. | Part Number | Qty. | Description         |
|------|-------------|------|-------------------------|------|-------------|------|---------------------|
| 1    | 127-3107    | 1    | Gasket-Manifold, Intake | 18   | 127-3080    | 1    | Joint-Hose          |
| 2    | 127-3135    | 1    | Intake Manifold ASM     | 19   | 127-3081    | 1    | Joint-Hose          |
| 3    | 127-3134    | 1    | Manifold-Intake         | 20   | 127-3166    | 2    | Washer-Seal         |
| 4    | 127-3180    | 4    | Stud                    | 21   | 127-3168    | 2    | Screw               |
| 5    | 127-3031    | 1    | Sensor-Temp, Air        | 22   | 127-3181    | 2    | Stud                |
| 6    | 125-7220    | 5    | Bolt                    | 23   | 127-3045    | 1    | Spacer-Valve, E G R |
| 7    | 127-3152    | 1    | Duct-Suction            | 24   | 127-3046    | 1    | Gasket-E G R        |
| 8    | 127-3096    | 1    | Joint-Rubber            | 25   | 125-7220    | 1    | Bolt                |
| 9    | 127-3153    | 1    | Joint-Rubber            | 26   | 127-3178    | 1    | Bolt                |
| 10   | 125-7189    | 1    | Clamp-Hose              | 27   | 127-3182    | 3    | Stud                |
| 11   | 127-3170    | 1    | Clamp-Hose              | 28   | 125-7229    | 3    | Nut                 |
| 12   | 125-7190    | 1    | Clamp-Hose              | 29   | 127-3035    | 1    | Bend-Inlet          |
| 13   | 127-3171    | 1    | Clamp-Hose              | 30   | 127-3036    | 1    | Body-Throttle       |
| 14   | 127-3034    | 1    | Gasket-Collector        | 31   | 127-3037    | 2    | Gasket-Throttle     |
| 15   | 127-3093    | 1    | Intake Collector ASM    | 32   | 125-7209    | 2    | Bolt                |
| 16   | 127-3092    | 1    | Collector-Intake        | 33   | 125-7211    | 4    | Bolt                |
| 17   | 127-3139    | 1    | Valve-Reed              | 34   | 127-3177    | 2    | Bolt                |

# Diesel Particulate Filter Assembly

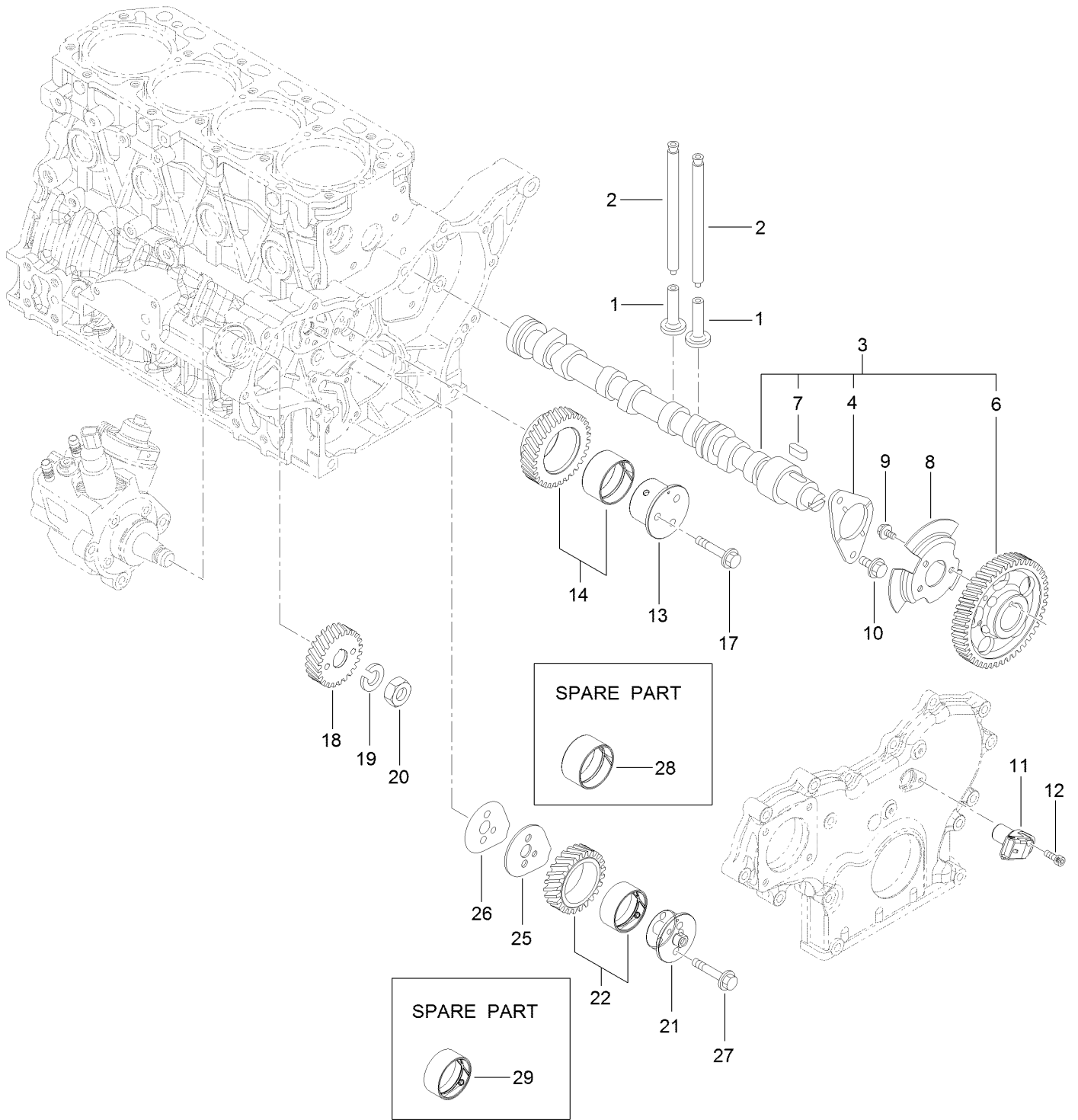




## Diesel Particulate Filter Assembly (continued)

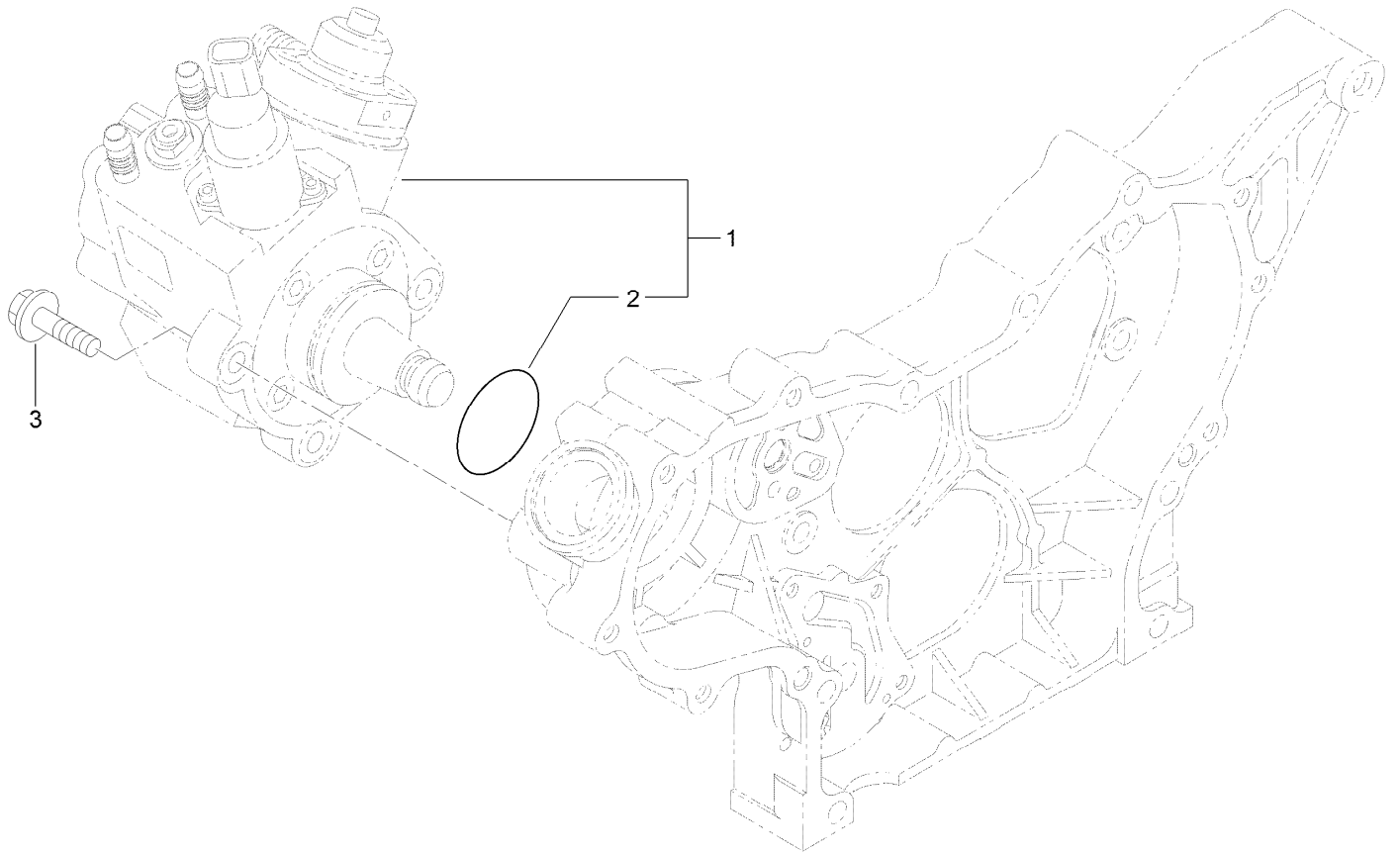
| <i>Ref.</i> | <i>Part Number</i> | <i>Qty.</i> | <i>Description</i>        | <i>Ref.</i> | <i>Part Number</i> | <i>Qty.</i> | <i>Description</i>           |
|-------------|--------------------|-------------|---------------------------|-------------|--------------------|-------------|------------------------------|
| 1           | 127-2987           | 1           | Gasket-Silencer           | 27          | 127-3056           | 4           | Gasket-Sensor                |
| 2           | 127-3095           | 1           | Stay-D P F                | 28          | 127-3165           | 1           | Exhaust Pressure Pipe ASM    |
| 3           | 127-3148           | 1           | Stay- D P F               | 29          | 127-3114           | 1           | Exhaust Hose ASM             |
| 4           | 127-3149           | 1           | Stay-D P F                | 31          | 127-3057           | 2           | Clip-Hose                    |
| 5           | 127-3150           | 1           | Stay-D P F                | 32          | 127-3059           | 1           | Exhaust Pressure Hose<br>ASM |
| 6           | 127-3159           | 1           | D P F Unit                | 34          | 127-3058           | 2           | Clip-Hose                    |
| 7           | 127-4764           | 1           | Sensor-Temp, Exhaust      | 35          | 127-3060           | 1           | Sensor-Pressure              |
| 8           | 127-3112           | 1           | Sensor-Temp, Exhaust      | 36          | 127-3061           | 1           | Bracket-Sensor, Pressure     |
| 9           | 127-3157           | 1           | D P F ASM                 | 37          | 125-7208           | 2           | Bolt                         |
| 10          | 127-3141           | 1           | Case-Doc                  | 38          | 125-7595           | 2           | Bolt                         |
| 12          | 127-3142R          | 1           | Case-Filter, Soot-Recon   | 39          | 127-3087           | 1           | Band-Clip                    |
| 12          | 127-3142           | 1           | Case-Filter, Soot         | 40          | 127-3124           | 1           | Band                         |
| 14          | 127-3143           | 1           | Flange-Outlet             | 41          | 127-3088           | 2           | Clip-Connector               |
| 15          | 127-3162           | 2           | Gasket-D P F              | 42          | 125-7595           | 2           | Bolt                         |
| 16          | 127-3055           | 20          | Bolt                      | 43          | 125-7595           | 2           | Bolt                         |
| 17          | 127-3144           | 1           | Lifter-D P F              | 44          | 125-7595           | 2           | Bolt                         |
| 18          | 127-3145           | 5           | Stiffener-D P F, A        | 45          | 125-7595           | 3           | Bolt                         |
| 19          | 127-3146           | 1           | Stiffener-D P F, B        | 46          | 127-3179           | 2           | Bolt                         |
| 20          | 127-3158           | 1           | Stiffener-D P F, D        | 47          | 127-3179           | 2           | Bolt                         |
| 21          | 127-3147           | 1           | Stiffener-D P F, C        | 48          | 125-7229           | 1           | Nut                          |
| 22          | 125-7213           | 2           | Bolt                      | 49          | 125-7229           | 3           | Nut                          |
| 23          | 125-7229           | 20          | Nut                       | 50          | 125-7230           | 1           | Nut                          |
| 24          | 127-3163           | 1           | Pressure Sensor Unit      | 51          | 125-7230           | 4           | Nut                          |
| 25          | 127-3039           | 2           | Bolt-Joint, Pipe          |             |                    |             |                              |
| 26          | 127-3164           | 1           | Exhaust Pressure Pipe ASM |             |                    |             |                              |

# Camshaft and Driving Gear Assembly



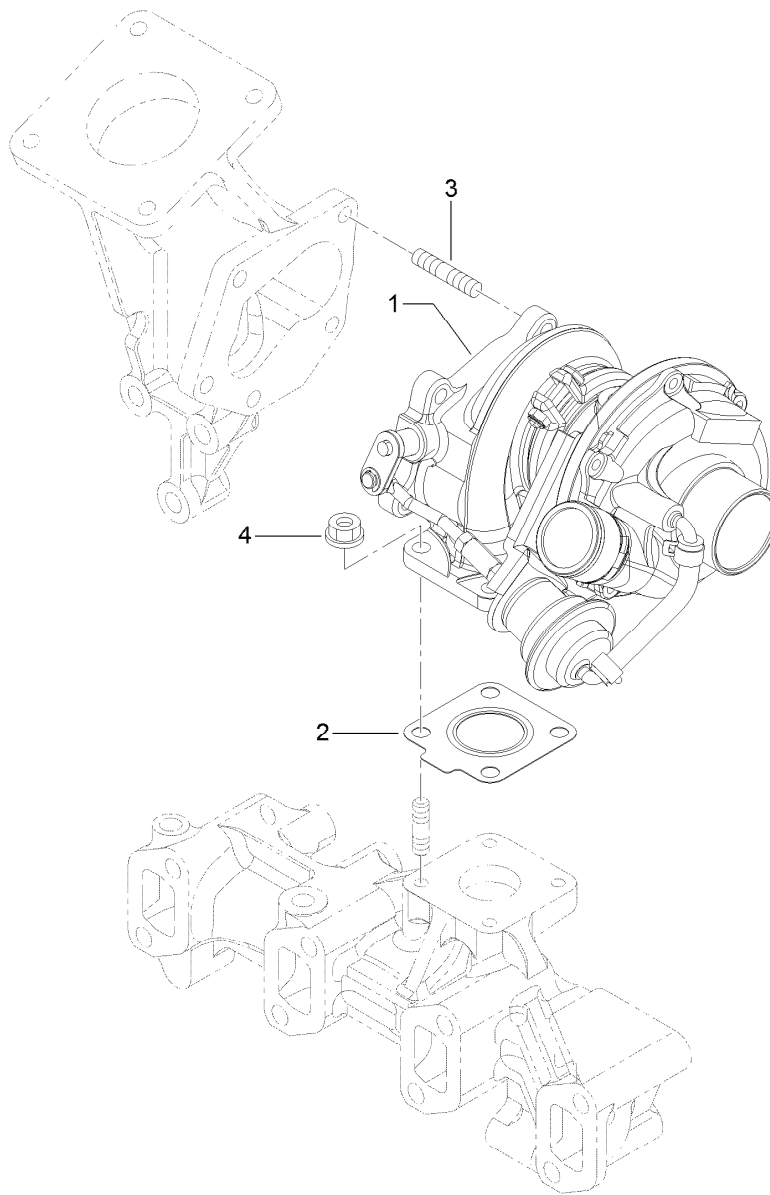
## Camshaft and Driving Gear Assembly (continued)

| <i>Ref.</i> | <i>Part Number</i> | <i>Qty.</i> | <i>Description</i> | <i>Ref.</i> | <i>Part Number</i> | <i>Qty.</i> | <i>Description</i>   |
|-------------|--------------------|-------------|--------------------|-------------|--------------------|-------------|----------------------|
| 1           | 125-7016           | 8           | Tappet             | 14          | 127-3066           | 1           | Idle Gear A ASM      |
| 2           | 125-7017           | 8           | Rod-Push           | 17          | 125-7219           | 3           | Bolt                 |
| 3           | 127-3113           | 1           | Camshaft ASM       | 18          | 127-3070           | 1           | Gear-Pump, Supply    |
| 4           | 125-7008           | 1           | Metal-Thrust       | 19          | 127-3167           | 1           | Washer-Spring        |
| 6           | 127-3052           | 1           | Gear-Camshaft      | 20          | 127-3185           | 1           | Nut-Lock             |
| 7           | 125-7185           | 1           | Key                | 21          | 127-3064           | 1           | Shaft-Idle, Gear B   |
| 8           | 127-3053           | 1           | Pulser-Camshaft    | 22          | 127-3067           | 1           | Idle Gear B ASM      |
| 9           | 125-7205           | 3           | Bolt               | 25          | 127-3068           | 1           | Plate-Idle, Shaft    |
| 10          | 125-7213           | 2           | Bolt               | 26          | 127-3069           | 1           | Gasket-Idle, Shaft B |
| 11          | 127-3054           | 1           | Sensor-Rev, Gear   | 27          | 125-7218           | 2           | Bolt                 |
| 12          | 127-3184           | 1           | Bolt               | 28          | 125-6927           | 1           | Bushing              |
| 13          | 127-3063           | 1           | Shaft-Idle, Gear A | 29          | 127-3065           | 1           | Bushing              |



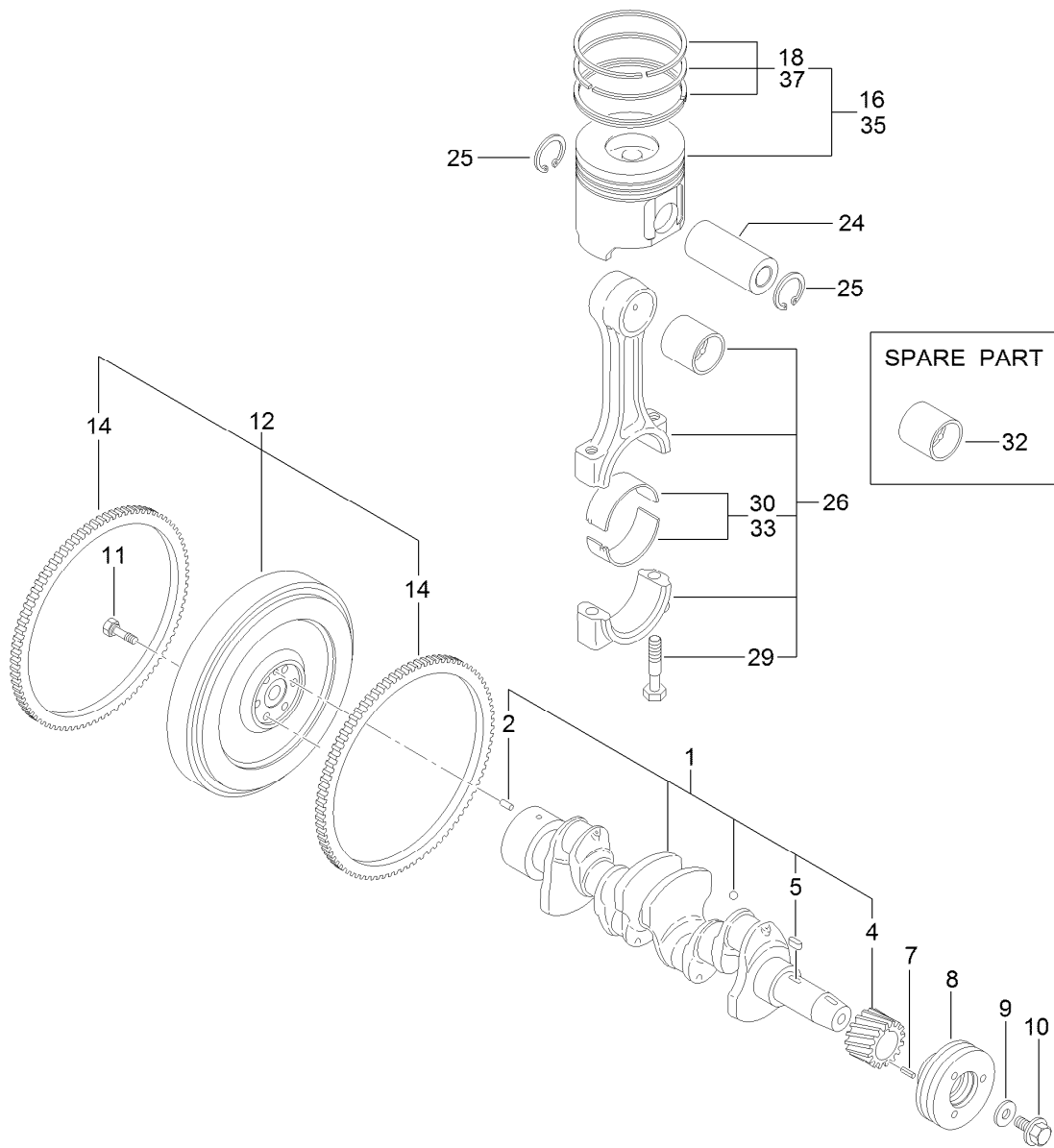
## Fuel System Assembly

| <i>Ref.</i> | <i>Part Number</i> | <i>Qty.</i> | <i>Description</i> |
|-------------|--------------------|-------------|--------------------|
| 1           | 127-3073           | 1           | Fuel Pump ASM      |
| 2           | 127-3074           | 1           | O-Ring             |
| 3           | 125-7216           | 3           | Bolt               |



## Turbine Assembly

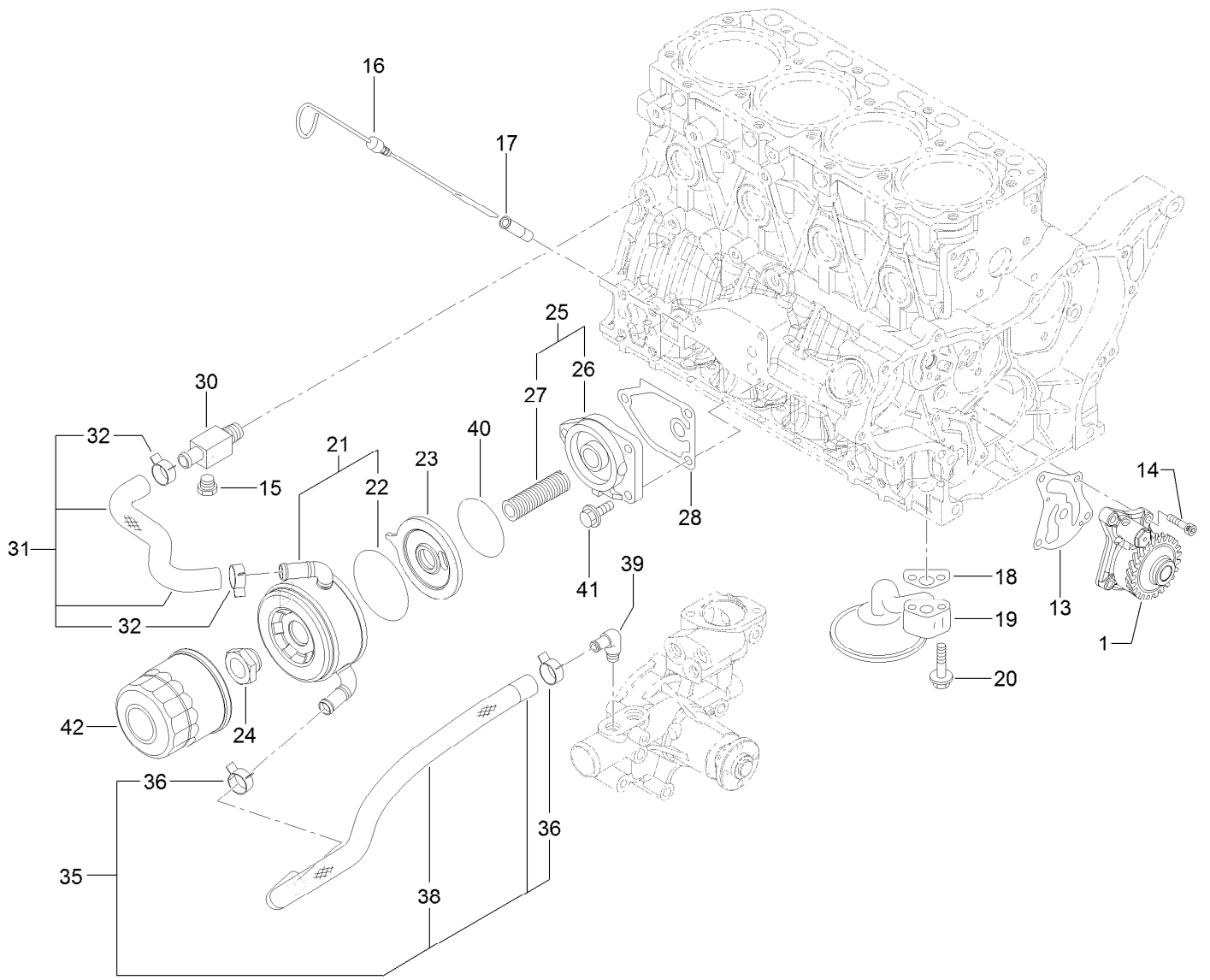
| <i>Ref.</i> | <i>Part Number</i> | <i>Qty.</i> | <i>Description</i> |
|-------------|--------------------|-------------|--------------------|
| 1           | 127-3151           | 1           | Turbine ASM        |
| 2           | 125-7070           | 1           | Gasket             |
| 3           | 125-6906           | 5           | Stud               |
| 4           | 125-7229           | 4           | Nut                |



## Crankshaft and Piston Assembly

| Ref. | Part Number | Qty. | Description    |
|------|-------------|------|----------------|
| 1    | 125-7091    | 1    | Crankshaft ASM |
| 2    | 125-6995    | 1    | Pin            |
| 4    | 125-6937    | 1    | Gear           |
| 5    | 125-7185    | 1    | Key            |
| 7    | 125-7182    | 1    | Pin-Spring     |
| 8    | 125-6925    | 1    | V-Pulley       |
| 9    | 125-7109    | 1    | Washer         |
| 10   | 125-6956    | 1    | Bolt           |
| 11   | 125-6951    | 6    | Bolt           |
| 12   | 127-3160    | 1    | Flywheel ASM   |
| 14   | 125-6943    | 1    | Gear           |

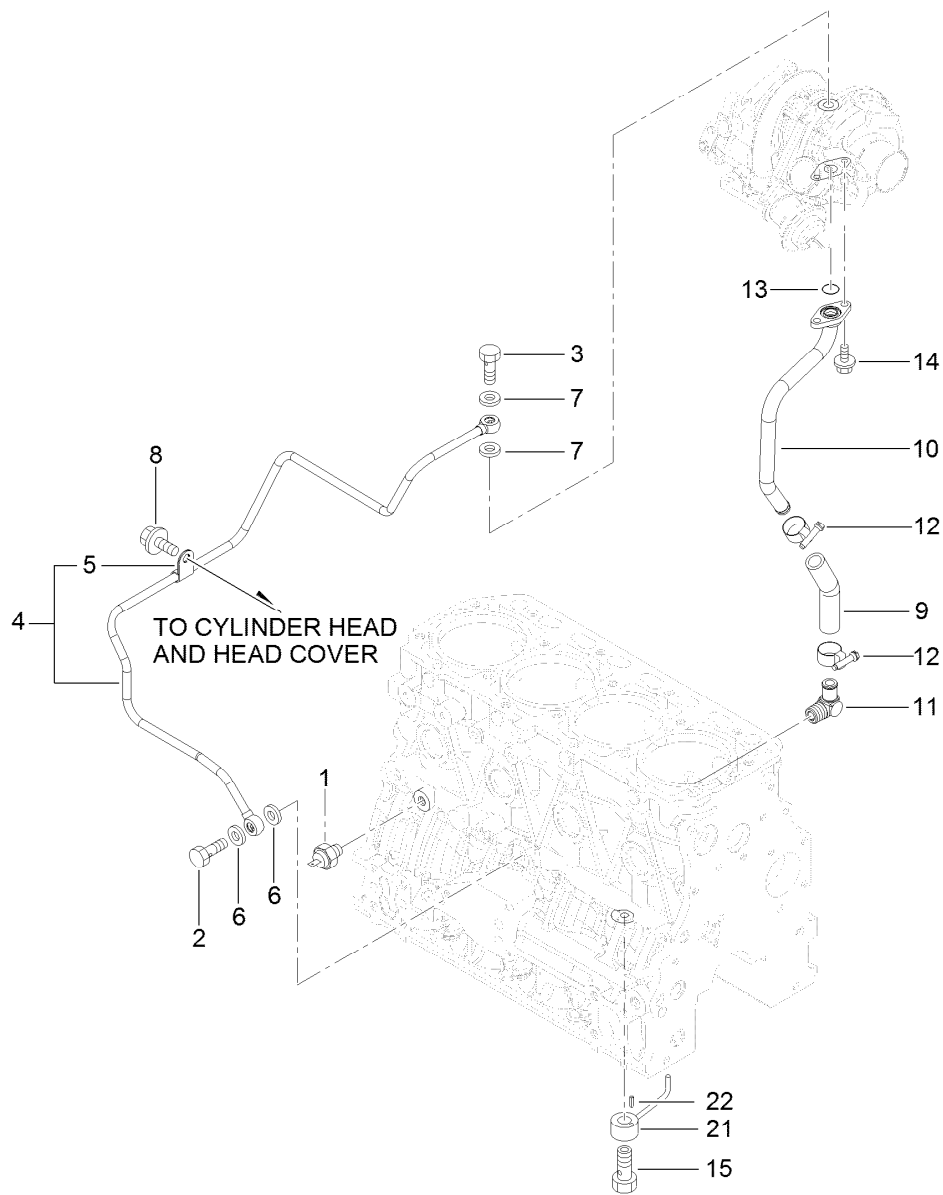
| Ref. | Part Number | Qty. | Description                 |
|------|-------------|------|-----------------------------|
| 16   | 127-3097    | 4    | Piston ASM                  |
| 18   | 127-3098    | 4    | Piston Ring ASM             |
| 24   | 125-7030    | 4    | Pin                         |
| 25   | 125-7180    | 8    | Ring                        |
| 26   | 125-7242    | 4    | Connecting Rod ASM          |
| 29   | 125-6955    | 8    | Bolt                        |
| 30   | 125-7018    | 4    | Pin-Crank                   |
| 32   | 125-6997    | 4    | Pin-Piston                  |
| 33   | 125-7019    | 4    | Pin-Crank (.25)             |
| 35   | 127-3099    | 4    | Piston ASM (0.25 O.S.)      |
| 37   | 127-3100    | 4    | Piston Ring ASM (0.25 O.S.) |



## Lubrication and Oil System Assembly

| Ref. | Part Number | Qty. | Description       |
|------|-------------|------|-------------------|
| 1    | 127-3101    | 1    | Oil Lube Pump ASM |
| 13   | 127-3004    | 1    | Gasket            |
| 14   | 125-7232    | 4    | Bolt              |
| 15   | 125-7171    | 1    | Plug-Drain        |
| 16   | 125-6987    | 1    | Dipstick          |
| 17   | 125-6954    | 1    | Guide-Dipstick    |
| 18   | 125-7022    | 1    | Gasket            |
| 19   | 125-7023    | 1    | Pipe ASM          |
| 20   | 125-7217    | 2    | Bolt              |
| 21   | 127-3014    | 1    | Cooler ASM        |
| 22   | 127-2985    | 1    | O-Ring            |
| 23   | 127-3015    | 1    | Bracket-Cooler    |
| 24   | 125-7041    | 1    | Nut-Cooler, Oil   |
| 25   | 127-3009    | 1    | Bracket ASM       |

| Ref. | Part Number | Qty. | Description         |
|------|-------------|------|---------------------|
| 26   | 125-6930    | 1    | Bracket             |
| 27   | 127-3010    | 1    | Stud                |
| 28   | 125-7024    | 1    | Gasket              |
| 30   | 125-6990    | 1    | Joint               |
| 31   | 127-3102    | 1    | Pipe-Cooling, Water |
| 32   | 125-7162    | 2    | Clip                |
| 35   | 127-3103    | 1    | Hose-Cooling, Water |
| 36   | 125-7162    | 2    | Clip                |
| 38   | 127-3007    | 1    | Tube                |
| 39   | 125-7001    | 1    | Elbow               |
| 40   | 127-3176    | 1    | O-Ring              |
| 41   | 125-7595    | 3    | Bolt                |
| 42   | 125-7025    | 1    | Filter-Engine, Oil  |

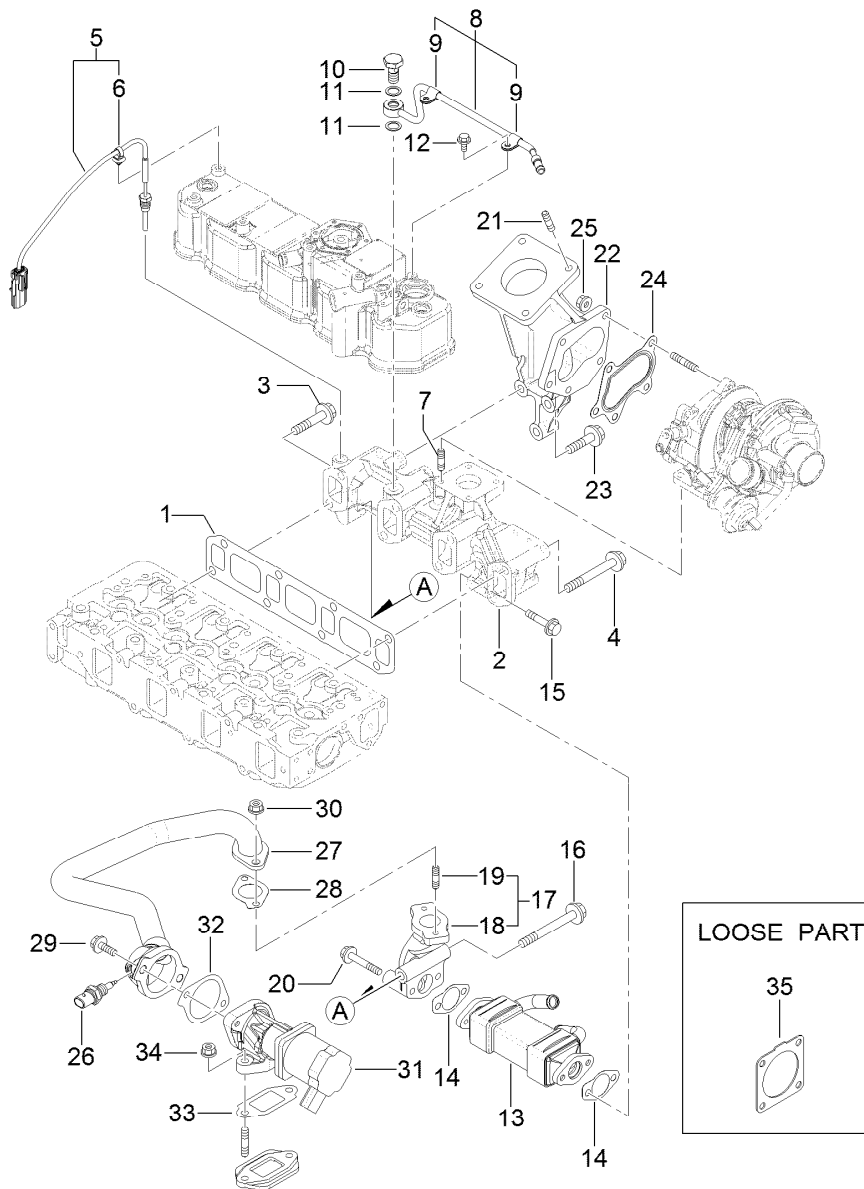


## Lubrication Oil Line Assembly

| Ref. | Part Number | Qty. | Description       |
|------|-------------|------|-------------------|
| 1    | 125-6918    | 1    | Switch-Oil        |
| 2    | 125-6975    | 1    | Bolt-Joint, Pipe  |
| 3    | 125-6952    | 1    | Bolt-Joint, Pipe  |
| 4    | 127-3154    | 1    | Lube Oil Pipe ASM |
| 5    | 125-6976    | 1    | Retainer          |
| 6    | 125-7175    | 2    | Washer-Seal       |
| 7    | 125-7193    | 2    | Gasket            |
| 8    | 93-0362     | 1    | Bolt              |
| 9    | 127-2992    | 1    | Joint             |

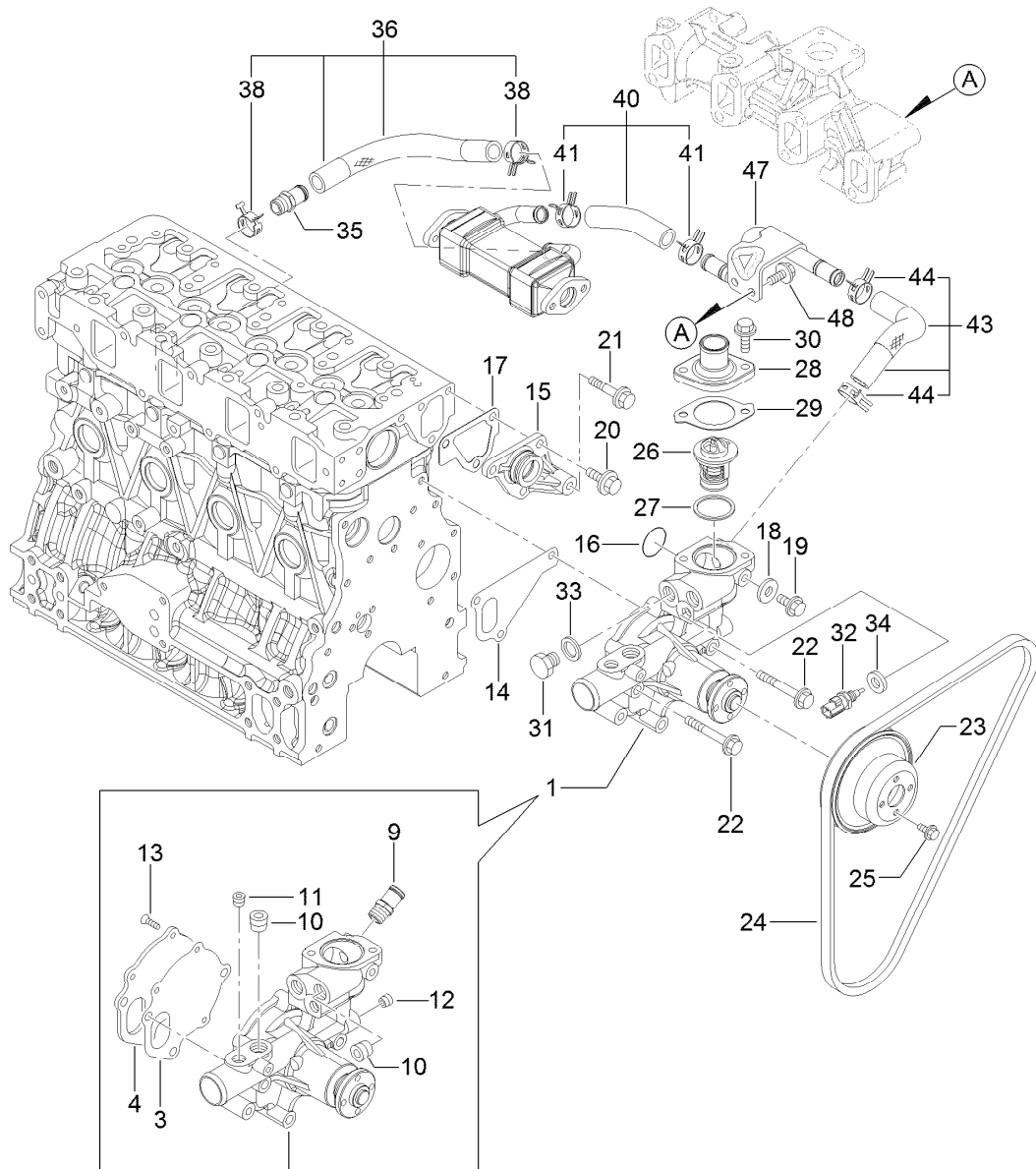
| Ref. | Part Number | Qty. | Description     |
|------|-------------|------|-----------------|
| 10   | 127-3155    | 1    | Pipe-Lube, Oil  |
| 11   | 127-3003    | 1    | Elbow           |
| 12   | 127-3169    | 2    | Clamp-Hose      |
| 13   | 125-7198    | 1    | O-Ring          |
| 14   | 125-7208    | 2    | Bolt            |
| 15   | 125-7105    | 4    | Check Valve ASM |
| 21   | 125-7098    | 4    | Nozzle          |
| 22   | 125-7182    | 4    | Pin-Spring      |





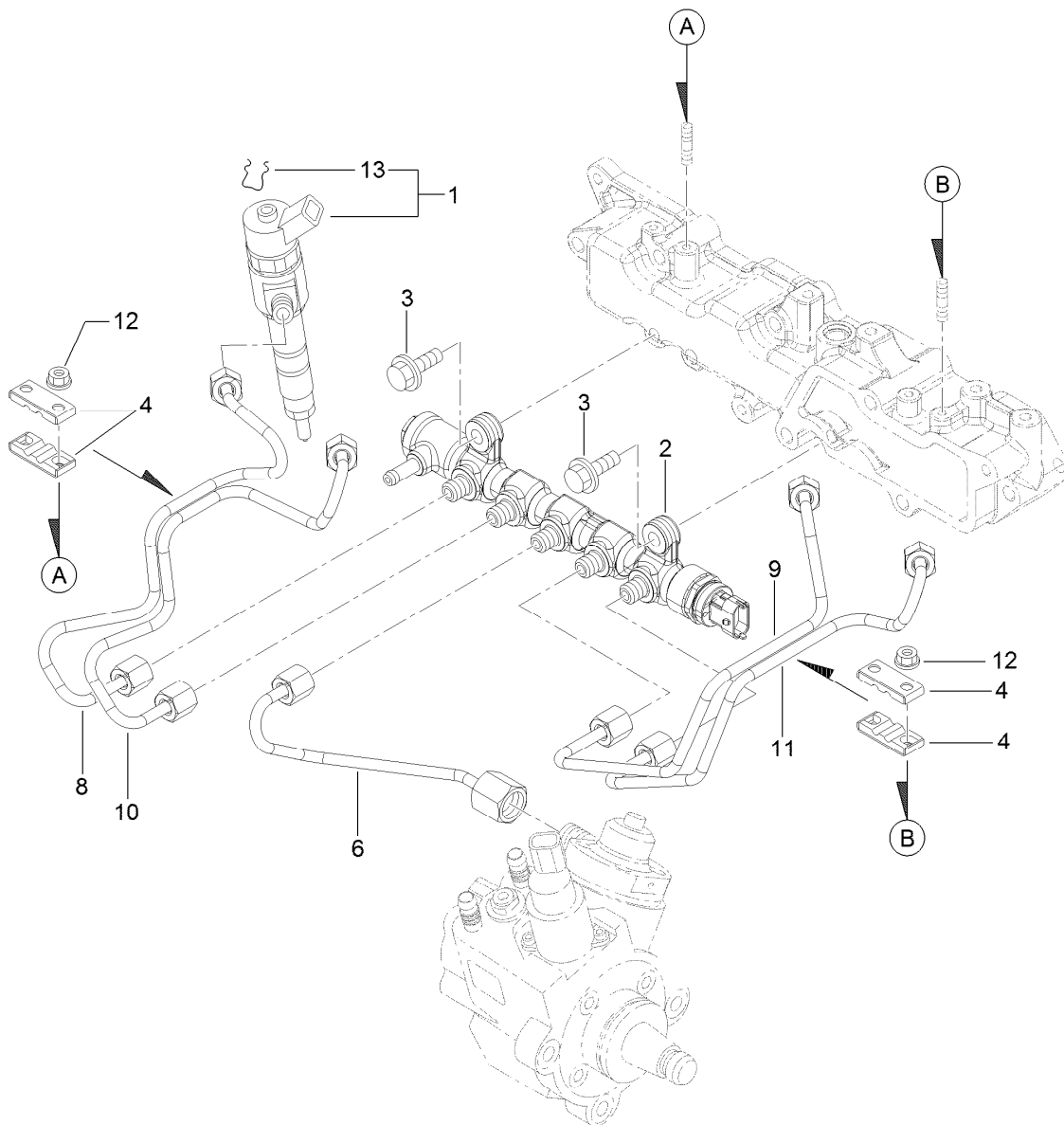
## Exhaust Manifold Assembly

| Ref. | Part Number | Qty. | Description              | Ref. | Part Number | Qty. | Description                |
|------|-------------|------|--------------------------|------|-------------|------|----------------------------|
| 1    | 127-3108    | 1    | Gasket-Manifold, Exhaust | 19   | 125-7043    | 2    | Stud                       |
| 2    | 127-3136    | 1    | Manifold-Exhaust         | 20   | 125-7220    | 2    | Bolt                       |
| 3    | 127-3094    | 1    | Bolt                     | 21   | 127-2984    | 4    | Stud                       |
| 4    | 127-3044    | 7    | Bolt-M10                 | 22   | 127-3137    | 1    | Pipe-Exhaust               |
| 5    | 127-3140    | 1    | Sensor-Temp, Exhaust     | 23   | 127-3138    | 3    | Bolt-Flange                |
| 6    | 127-3087    | 1    | Band-Clip                | 24   | 125-7071    | 1    | Gasket                     |
| 7    | 125-7043    | 4    | Stud                     | 25   | 125-7229    | 5    | Nut                        |
| 8    | 127-3038    | 1    | Exhaust Pipe ASM         | 26   | 127-3047    | 1    | Sensor-Gas Temp, E G R     |
| 9    | 127-3173    | 2    | Clamp                    | 27   | 127-3109    | 1    | E G R Pipe ASM             |
| 10   | 127-3039    | 1    | Bolt-Joint, Pipe         | 28   | 127-3016    | 1    | Gasket                     |
| 11   | 127-3174    | 2    | Gasket                   | 29   | 125-7215    | 2    | Bolt                       |
| 12   | 125-7206    | 2    | Bolt                     | 30   | 125-7229    | 2    | Nut                        |
| 13   | 127-3042    | 1    | Cooler-E G R             | 31   | 127-3110    | 1    | Valve-E G R                |
| 14   | 127-3043    | 2    | Gasket-Cooler, E G R     | 32   | 127-3050    | 1    | Gasket-Intake Valve, E G R |
| 15   | 127-2976    | 2    | Bolt                     | 33   | 127-3051    | 1    | Gasket-Out Valve, E G R    |
| 16   | 127-3022    | 1    | Bolt-Flange              | 34   | 125-7229    | 2    | Nut                        |
| 17   | 127-3048    | 1    | E G R Pipe ASM           | 35   | 127-3019    | 1    | Gasket                     |
| 18   | 127-3049    | 1    | Pipe-Out, E G R          |      |             |      |                            |



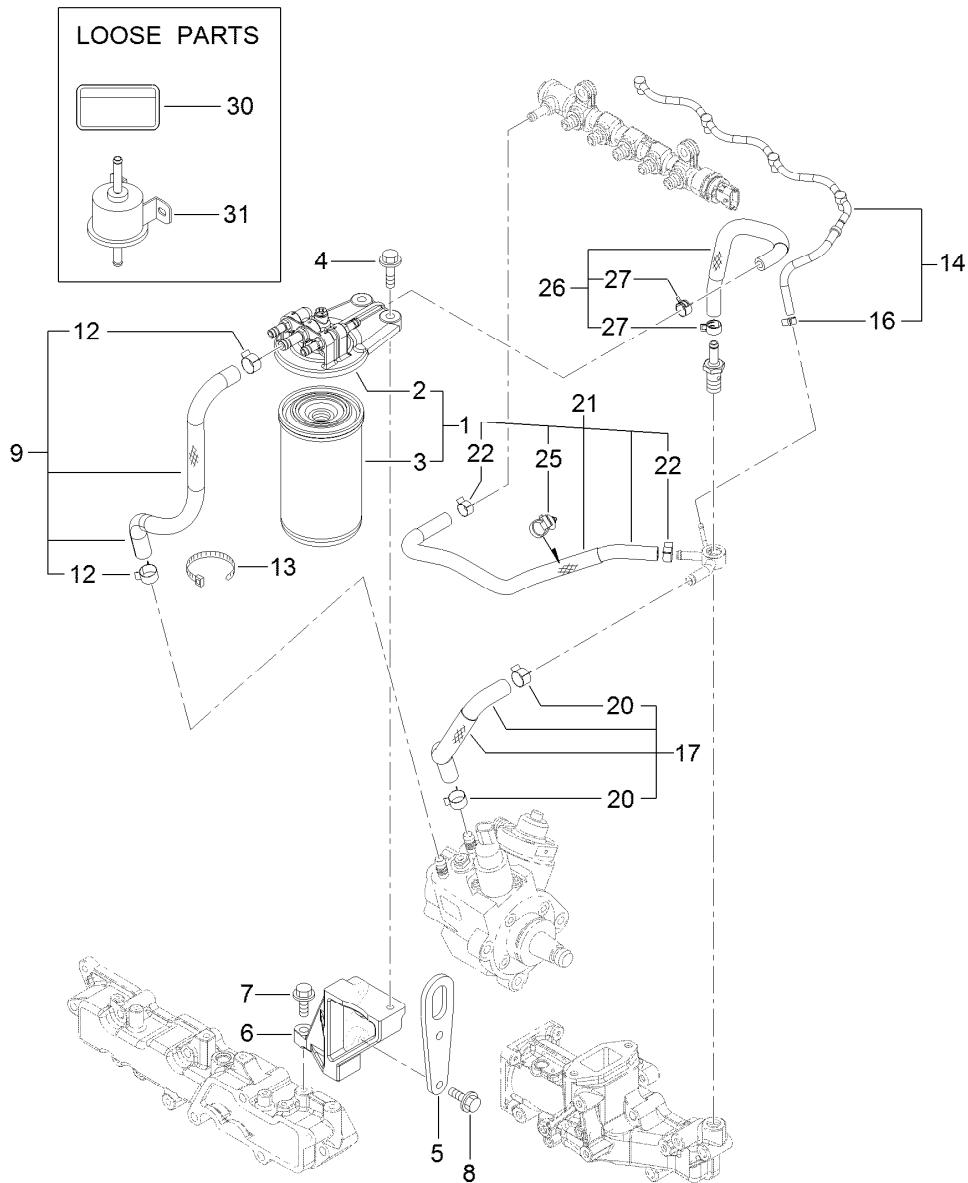
## Cooling Water System Assembly

| Ref. | Part Number | Qty. | Description    | Ref. | Part Number | Qty. | Description           |
|------|-------------|------|----------------|------|-------------|------|-----------------------|
| 1    | 127-3071    | 1    | Water Pump ASM | 25   | 125-7206    | 4    | Bolt                  |
| 3    | 125-6998    | 1    | Gasket         | 26   | 125-7029    | 1    | Thermostat            |
| 4    | 125-6999    | 1    | Plate          | 27   | 125-7026    | 1    | Gasket                |
| 9    | 127-3017    | 1    | Joint          | 28   | 125-7034    | 1    | Cover                 |
| 10   | 125-7123    | 2    | Plug           | 29   | 125-7110    | 1    | Gasket                |
| 11   | 127-3175    | 1    | Plug           | 30   | 125-7594    | 2    | Bolt                  |
| 12   | 125-7195    | 1    | Plug           | 31   | 125-6953    | 1    | Plug                  |
| 13   | 125-7234    | 3    | Screw          | 32   | 125-7124    | 1    | Sensor-Thermostat, CW |
| 14   | 125-7047    | 1    | Gasket         | 33   | 125-6979    | 1    | Gasket                |
| 15   | 125-6986    | 1    | Joint          | 34   | 125-7176    | 1    | Washer-Seal           |
| 16   | 125-7048    | 1    | O-Ring         | 35   | 127-3017    | 1    | Joint                 |
| 17   | 125-6978    | 1    | Gasket         | 36   | 127-3072    | 1    | Water In Pipe ASM     |
| 18   | 125-7192    | 1    | Gasket         | 38   | 127-3020    | 2    | Clip-Hose             |
| 19   | 93-0362     | 1    | Bolt           | 40   | 127-3115    | 1    | Water Out Pipe ASM    |
| 20   | 125-7214    | 3    | Bolt           | 41   | 127-3020    | 2    | Clip-Hose             |
| 21   | 125-7219    | 1    | Bolt           | 43   | 127-3116    | 1    | Water Out Pipe ASM    |
| 22   | 125-7222    | 3    | Bolt           | 44   | 127-3020    | 2    | Clip-Hose             |
| 23   | 125-7039    | 1    | V-Pulley       | 47   | 127-3117    | 1    | Pipe-Out, CW          |
| 24   | 127-2998    | 1    | V-Belt         | 48   | 125-7214    | 2    | Bolt                  |



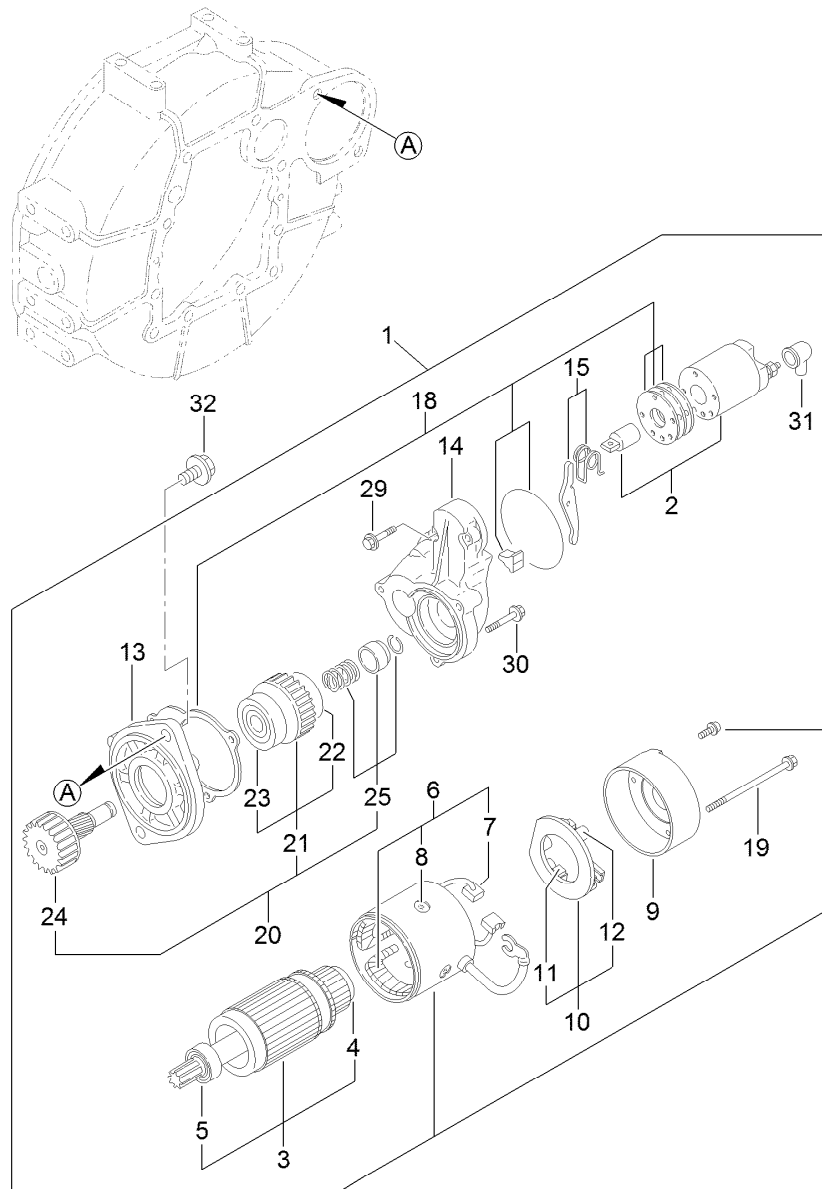
## Fuel Injection Valve Assembly

| Ref. | Part Number | Qty. | Description        |
|------|-------------|------|--------------------|
| 1    | 127-3104    | 4    | Injector ASM       |
| 2    | 127-3118    | 1    | Rail ASM           |
| 3    | 125-7215    | 2    | Bolt               |
| 4    | 127-2982    | 4    | Retainer           |
| 6    | 127-3082    | 1    | Rail In Pipe ASM   |
| 8    | 127-3121    | 1    | Injection Pipe ASM |
| 9    | 127-3083    | 1    | Injection Pipe ASM |
| 10   | 127-3122    | 1    | Injection Pipe ASM |
| 11   | 127-3084    | 1    | Injection Pipe ASM |
| 12   | 125-7231    | 4    | Nut                |
| 13   | 130-7430    | 4    | Ring-Retaining     |



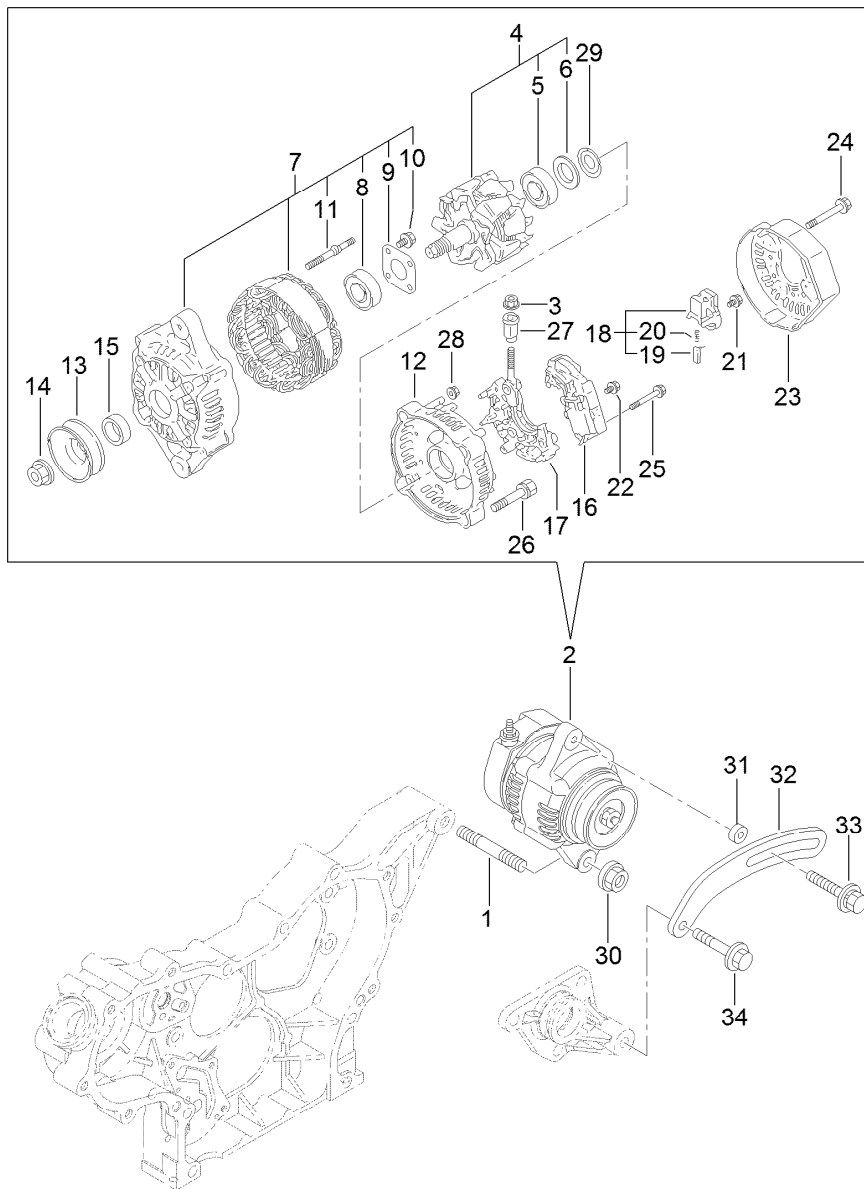
## Fuel Line Assembly

| <i>Ref.</i> | <i>Part Number</i> | <i>Qty.</i> | <i>Description</i>          | <i>Ref.</i> | <i>Part Number</i> | <i>Qty.</i> | <i>Description</i>      |
|-------------|--------------------|-------------|-----------------------------|-------------|--------------------|-------------|-------------------------|
| 1           | 127-3075           | 1           | Fuel/Oil Filter ASM         | 14          | 127-3120           | 1           | Fuel Pipe ASM           |
| 2           | 127-3076           | 1           | Fuel/Oil Filter Bracket ASM | 16          | 127-3172           | 1           | Clamp-Hose              |
| 3           | 125-8752           | 1           | Filter-Fuel/Oil             | 17          | 127-3078           | 1           | Fuel Pipe ASM           |
| 4           | 125-7216           | 2           | Bolt                        | 20          | 125-7191           | 2           | Clamp-Hose              |
| 5           | 127-3091           | 1           | Lifter-Engine               | 21          | 127-3119           | 1           | Fuel Pipe ASM           |
| 6           | 127-3105           | 1           | Stay-Bracket, Filter        | 22          | 127-2950           | 2           | Clip-Hose               |
| 7           | 125-7215           | 1           | Bolt                        | 25          | 127-3087           | 1           | Band-Clip               |
| 8           | 125-7216           | 2           | Bolt                        | 26          | 127-3079           | 1           | Fuel Pipe ASM           |
| 9           | 127-3077           | 1           | Fuel Pipe ASM               | 27          | 127-2950           | 2           | Clip-Hose               |
| 12          | 125-7191           | 2           | Clamp-Hose                  | 30          | 125-6900           | 1           | Label-Caution, Fuel Oil |
| 13          | 127-2981           | 1           | Band                        | 31          | 127-3008           | 1           | Fuel Feed Pump ASM      |



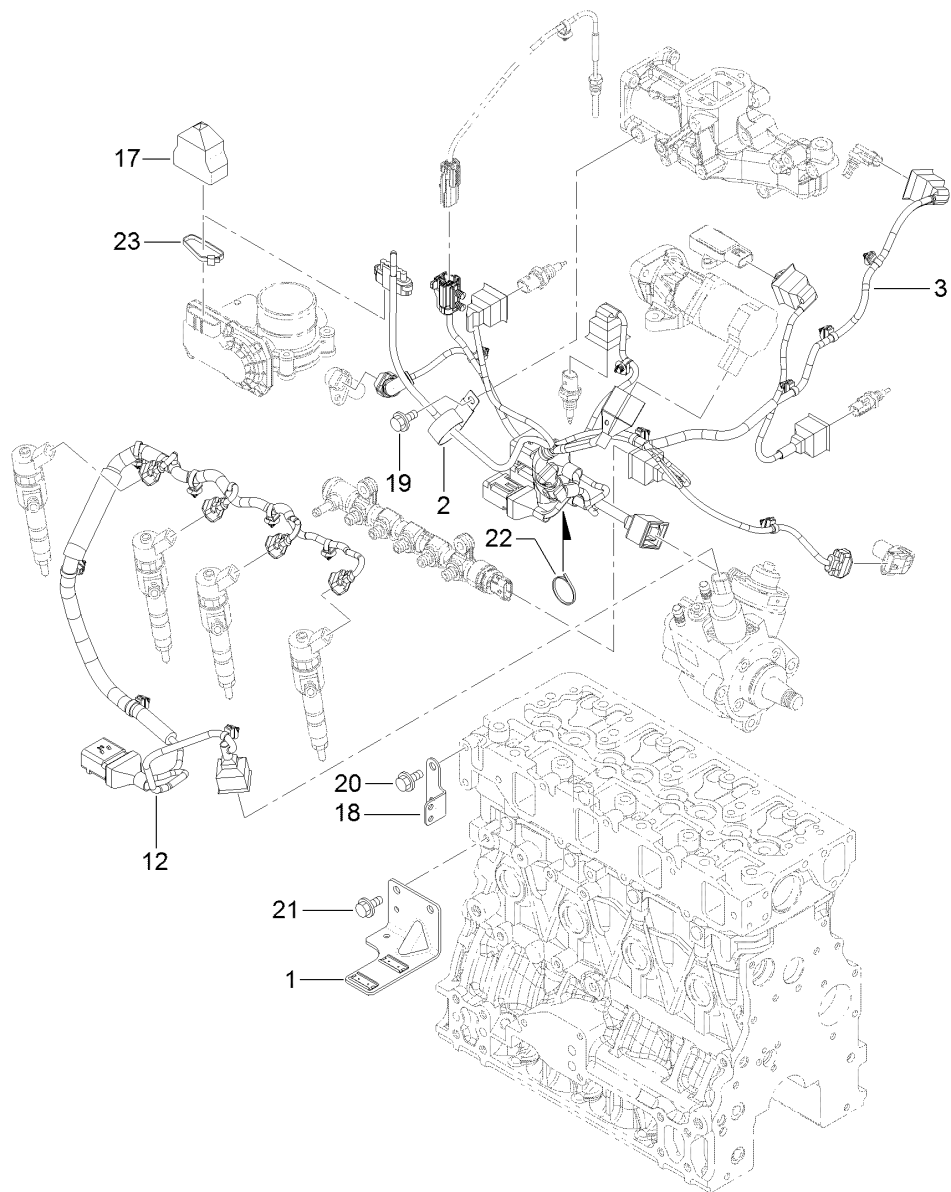
## Starting Motor Assembly

| <i>Ref.</i> | <i>Part Number</i> | <i>Qty.</i> | <i>Description</i> | <i>Ref.</i> | <i>Part Number</i> | <i>Qty.</i> | <i>Description</i> |
|-------------|--------------------|-------------|--------------------|-------------|--------------------|-------------|--------------------|
| 1           | 125-7003           | 1           | Starter            | 15          | 125-7165           | 1           | Lever Set          |
| 2           | 125-7004           | 1           | Switch ASM         | 18          | 125-7037           | 1           | Dust Cover ASM     |
| 3           | 125-7112           | 1           | Armature ASM       | 19          | 125-7117           | 2           | Bolt-Through       |
| 4           | 125-7252           | 1           | Bearing-Ball       | 20          | 125-7166           | 1           | Pinion ASM         |
| 5           | 125-7249           | 1           | Bearing, Ball      | 21          | 125-7250           | 1           | Clutch ASM         |
| 6           | 125-7113           | 1           | Field Coil ASM     | 22          | 125-7251           | 1           | Bearing-Ball       |
| 7           | 125-7114           | 2           | Brush              | 23          | 125-7253           | 1           | Bearing-Ball       |
| 8           | 125-7163           | 4           | Screw              | 24          | 125-7167           | 1           | Shaft              |
| 9           | 125-7115           | 1           | Cover              | 25          | 125-7168           | 1           | Stopper Set        |
| 10          | 125-7116           | 1           | Brush Holder ASM   | 29          | 125-7210           | 2           | Bolt               |
| 11          | 125-7114           | 2           | Brush              | 30          | 125-7211           | 3           | Bolt               |
| 12          | 125-7036           | 4           | Spring             | 31          | 125-7169           | 1           | Cover              |
| 13          | 125-7164           | 1           | Case-Gear          | 32          | 125-7225           | 2           | Bolt               |
| 14          | 125-7005           | 1           | Housing            |             |                    |             |                    |



## Generator Assembly

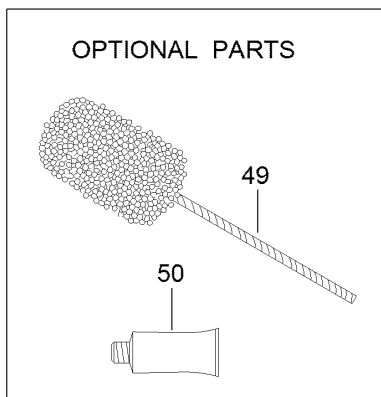
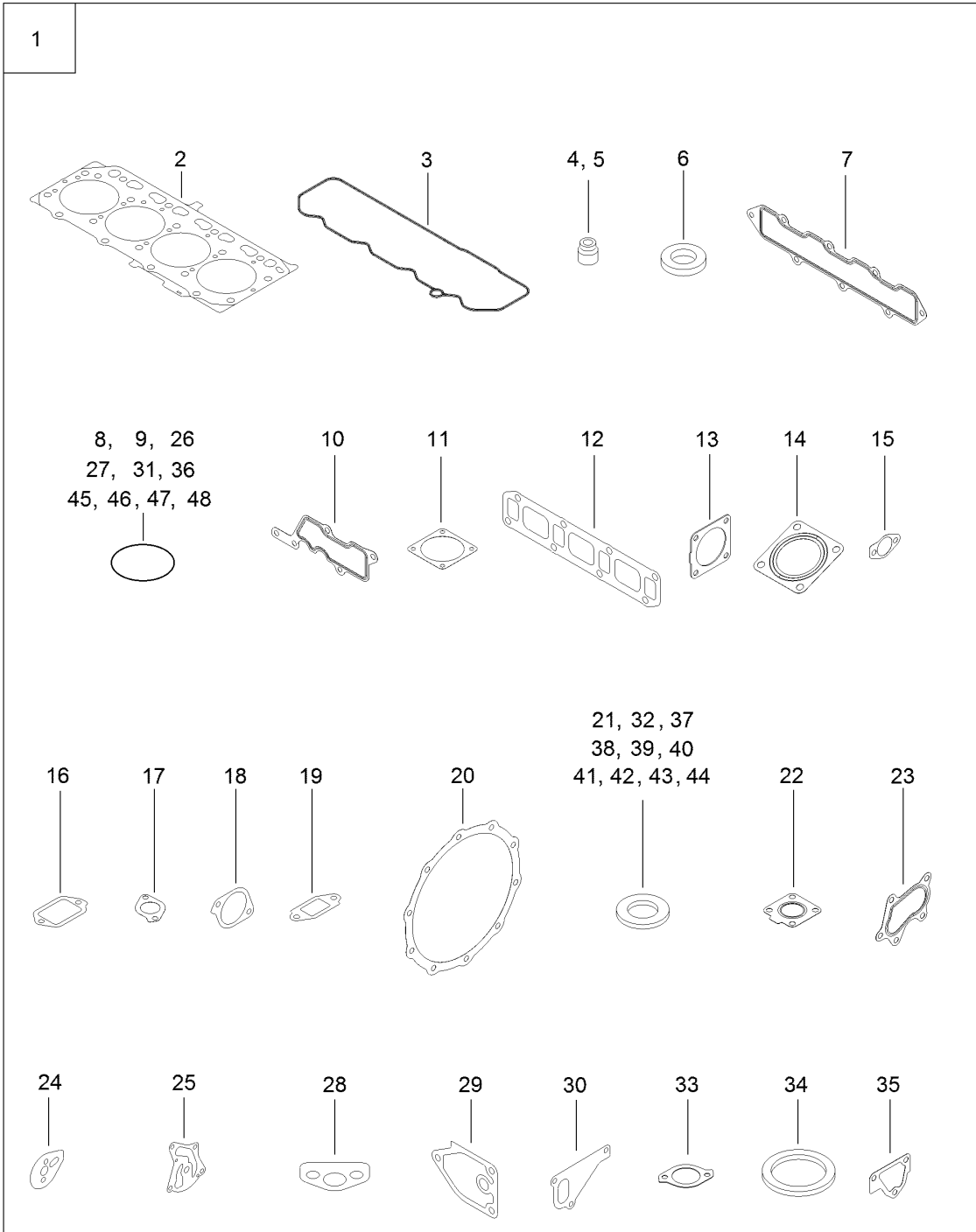
| Ref. | Part Number | Qty. | Description    | Ref. | Part Number | Qty. | Description        |
|------|-------------|------|----------------|------|-------------|------|--------------------|
| 1    | 127-3011    | 1    | Stud           | 18   | 127-2993    | 1    | Holder             |
| 2    | 125-7120    | 1    | Alternator-12V | 19   | 127-2956    | 2    | Brush ASM          |
| 3    | 127-3190    | 1    | Nut            | 20   | 127-2964    | 2    | Spring             |
| 4    | 127-2951    | 1    | Rotor ASM      | 21   | 127-2965    | 6    | Screw              |
| 5    | 127-2983    | 1    | Bearing-Ball   | 22   | 127-2966    | 1    | Screw              |
| 6    | 127-2962    | 1    | Cover          | 23   | 127-2999    | 1    | Cover              |
| 7    | 127-2952    | 1    | Frame ASM      | 24   | 127-2967    | 3    | Bolt               |
| 8    | 127-2958    | 1    | Bearing-Ball   | 25   | 127-2968    | 2    | Screw              |
| 9    | 127-2959    | 1    | Plate-Retainer | 26   | 127-2969    | 2    | Bolt               |
| 10   | 127-2960    | 4    | Screw          | 27   | 127-2970    | 1    | Bushing-Insulation |
| 11   | 127-2961    | 2    | Stud           | 28   | 127-2971    | 2    | Nut                |
| 12   | 127-2953    | 1    | Frame ASM      | 29   | 127-2972    | 1    | Washer             |
| 13   | 127-2954    | 1    | Pulley         | 30   | 125-7230    | 1    | Nut                |
| 14   | 127-2955    | 1    | Nut            | 31   | 125-6947    | 1    | Spacer             |
| 15   | 127-2957    | 1    | Collar         | 32   | 127-2977    | 1    | Adjuster           |
| 16   | 127-3002    | 1    | Regulator ASM  | 33   | 125-7134    | 1    | Bolt               |
| 17   | 127-2963    | 1    | Holder         | 34   | 125-7219    | 1    | Bolt               |



## Electric Parts Assembly

| <b>Ref.</b> | <b>Part Number</b> | <b>Qty.</b> | <b>Description</b>      |
|-------------|--------------------|-------------|-------------------------|
| 1           | 127-3086           | 1           | Bracket-Connector       |
| 2           | 127-3018           | 1           | Clip                    |
| 3           | 127-3156           | 1           | Harness B-E C O, Engine |
| 12          | 127-3125           | 1           | Harness C               |
| 17          | 127-3089           | 1           | Boot-Type, Cap          |
| 18          | 127-3090           | 1           | Bracket-Harness         |
| 19          | 93-0362            | 1           | Bolt                    |
| 20          | 93-0362            | 2           | Bolt                    |
| 21          | 93-0362            | 2           | Bolt                    |
| 22          | 127-3187           | 1           | Band                    |
| 23          | 127-3188           | 1           | Band                    |

# Gasket Set





## Gasket Set (continued)

| <i>Ref.</i> | <i>Part Number</i> | <i>Qty.</i> | <i>Description</i>         | <i>Ref.</i> | <i>Part Number</i> | <i>Qty.</i> | <i>Description</i> |
|-------------|--------------------|-------------|----------------------------|-------------|--------------------|-------------|--------------------|
| 1           | 127-3189           | 1           | Gasket Kit                 | 26          | 125-6909           | 2           | O-Ring             |
| 2           | 127-3126           | 1           | Gasket-Head, Cylinder      | 27          | 127-2973           | 1           | O-Ring             |
| 3           | 127-3106           | 1           | Gasket-Cover               | 28          | 125-7022           | 1           | Gasket             |
| 4           | 127-2986           | 4           | Seal-Stem, Valve           | 29          | 125-7024           | 1           | Gasket             |
| 5           | 127-3027           | 4           | Seal-Stem, Valve           | 30          | 125-7047           | 1           | Gasket             |
| 6           | 127-3021           | 4           | Gasket-Injector            | 31          | 125-7048           | 1           | O-Ring             |
| 7           | 127-3107           | 1           | Gasket-Manifold, Intake    | 32          | 125-6979           | 1           | Gasket             |
| 8           | 127-3032           | 2           | O Ring-Sensor, Pressure    | 33          | 125-7110           | 1           | Gasket             |
| 9           | 127-3033           | 1           | O-Ring                     | 34          | 125-7026           | 1           | Gasket             |
| 10          | 127-3034           | 1           | Gasket-Collector           | 35          | 125-6978           | 1           | Gasket             |
| 11          | 127-3037           | 2           | Gasket-Throttle            | 36          | 127-3074           | 1           | O-Ring             |
| 12          | 127-3108           | 1           | Gasket-Manifold, Exhaust   | 37          | 125-7174           | 1           | Washer-Seal        |
| 13          | 127-3019           | 1           | Gasket                     | 38          | 125-7175           | 2           | Washer-Seal        |
| 14          | 127-2987           | 1           | Gasket-Silencer            | 39          | 125-7176           | 1           | Washer-Seal        |
| 15          | 127-3043           | 2           | Gasket-Cooler, E G R       | 40          | 127-3166           | 2           | Washer-Seal        |
| 16          | 127-3046           | 1           | Gasket-E G R               | 41          | 125-7177           | 1           | Washer-Seal        |
| 17          | 127-3016           | 1           | Gasket                     | 42          | 125-7192           | 1           | Gasket             |
| 18          | 127-3050           | 1           | Gasket-Intake Valve, E G R | 43          | 125-7193           | 2           | Gasket             |
| 19          | 127-3051           | 1           | Gasket-Out Valve, E G R    | 44          | 127-3174           | 2           | Gasket             |
| 20          | 127-3162           | 2           | Gasket-D P F               | 45          | 93-0418            | 3           | O-Ring             |
| 21          | 127-3056           | 4           | Gasket-Sensor              | 46          | 125-7197           | 1           | O-Ring             |
| 22          | 125-7070           | 1           | Gasket                     | 47          | 125-7198           | 1           | O-Ring             |
| 23          | 125-7071           | 1           | Gasket                     | 48          | 127-3176           | 1           | O-Ring             |
| 24          | 127-3069           | 1           | Gasket-Idle, Shaft B       | 49          | 127-3000           | 1           | Hone               |
| 25          | 127-3004           | 1           | Gasket                     | 50          | 125-7248           | 1           | Gasket-Liquid      |

# Attachments and Accessories

## For 30636 Groundsmaster 4010 Rotary Mower

| <b>Product Name</b>  | <b>Model/Part</b> |
|--|-------------------|
| Bumper Weight Assembly .....   | 106-4278-03       |
| Blade-Atomic (21.75in) .....   | 107-0214-03       |
| Atomic Blade Service Pack (7 Pack).....  | 108-1450          |
| Blade-Flat Sail (21.75in) .....  | 110-6115-03       |
| Flat Blade Service Pack (7 Pack).....  | 110-6130          |
| MVP Blade Kit.....   | 117-2722          |
| Backrest Extension Kit.....  | 119-7719          |
| Large Seat Cover.....  | 120-5179          |
| Castor Wrench.....   | 121-3874          |
| Premium Engine Oil 10w30 (55 Gallon Drum) .....  | 121-6392          |
| Premium Engine Oil 10w30 (5 Gallon Pail) .....   | 121-6393          |
| Premium Engine Oil 15w40 (55 Gallon Drum) .....  | 121-6394          |
| Premium Engine Oil 15w40 (5 Gallon Pail) .....   | 121-6395          |
| Roller Assembly.....   | 132-6113          |
| Pivot Caster Scraper Kit.....  | 132-6114          |
| PX Hydraulic Fluid (5 Gal) .....   | 133-8086          |
| PX Hydraulic Fluid (55 Gal).....   | 133-8087          |
| Skid Plate Kit .....   | 136-4360          |
| Blade-Rotary, Medium Sail .....  | 136-4370-03       |
| Tire-High Traction (20x10-10).....   | 136-4440          |
| Tire-High Traction (26x12-12).....   | 136-4442          |
| MVP Blade Kit.....   | 137-5500          |
| 8in Semi-Pneumatic Wheel ASM.....  | 137-5529          |
| 400 Hour MVP Kit .....   | 30408             |
| Guardian Recycler Conversion Kit.....  | 30420             |
| Leaf Mulcher Kit.....  | 30422             |
| CE Kit .....   | 30453             |
| Right-Hand Replacement Mower.....  | 30476             |
| Left-Hand Replacement Mower .....  | 30477             |
| Front Deck .....   | 30479             |
| Beacon Kit .....   | 30661             |
| Light Adapter Kit .....  | 30691             |
| North American Cab Light Kit, 2015 and After Groundsmaster 5910/4010/4110 Series Traction Unit ..... | 30706             |
| Horn Kit.....  | 31511             |
| Backup Alarm Kit .....   | 31512             |
| 4WD Manual Override Kit .....  | 31522             |
| Blade (21.75in) .....  | 92-5608-03        |
| 8in Foam Filled Wheel ASM .....  | 93-5974           |

**Notes:**



**Count on it.**