



Count on it.

Parts Catalog

**Recycler® S55OST 55cm Lawn
Mower with SmartStow®**

Model No. 21770—Serial No. 413000000 and Up



Ordering Replacement Parts

To order replacement parts, please supply the part number, the quantity, and the description of each part desired.

Understanding Reference Numbers

Each identified part in an illustration has a reference number. The reference number for a part also appears in the parts list, along with other information about the part.

This catalog uses two special reference number formats, one to indicate parts in a service assembly and another to indicate the quantity of a given part in an illustration.

Service Assembly Reference Numbers

Parts in service assemblies have reference numbers in the form a:b. The a represents the reference number of the entire service assembly and the b represents a sequential number unique to each part within the service assembly.

For example, a wheel assembly might be identified by reference number 6, the tire by 6:1, the valve by 6:2, and the wheel by 6:3. When you order the assembly identified by reference number 6, you receive all parts identified by reference numbers 6:1, 6:2, and 6:3. However, you may also order any part individually. Reference numbers of this type appear in illustration and in parts lists.

Reference Numbers Indicating Quantity

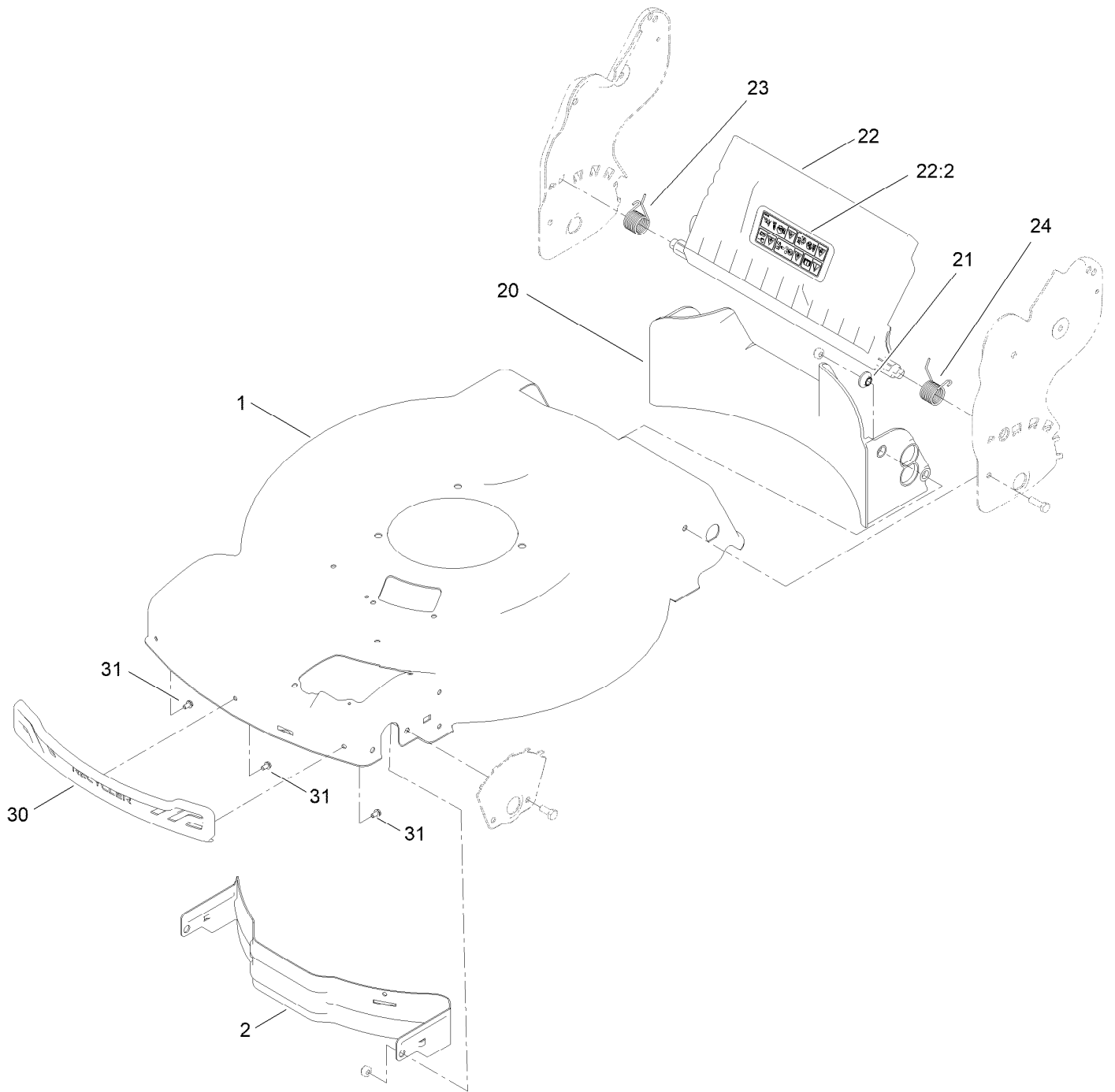
In an illustration, if a reference number indicates more than one part, the reference number has the form nX y. The n represents the quantity of the part, the X is the multiplication symbol, and the y represents the reference number.

For example, in an illustration, the reference number 2X 37 means that two of the parts identified by reference number 37 are indicated.

Contents

Frame Assembly	4
Grass Bag Assembly	6
Deck Decal Assembly	8
Engine and Blade Assembly	10
Front Wheel and Height-of-Cut Assembly	12
Rear Wheel and Height-of-Cut Assembly	14
Handle Assembly	16
Attachments and Accessories	18

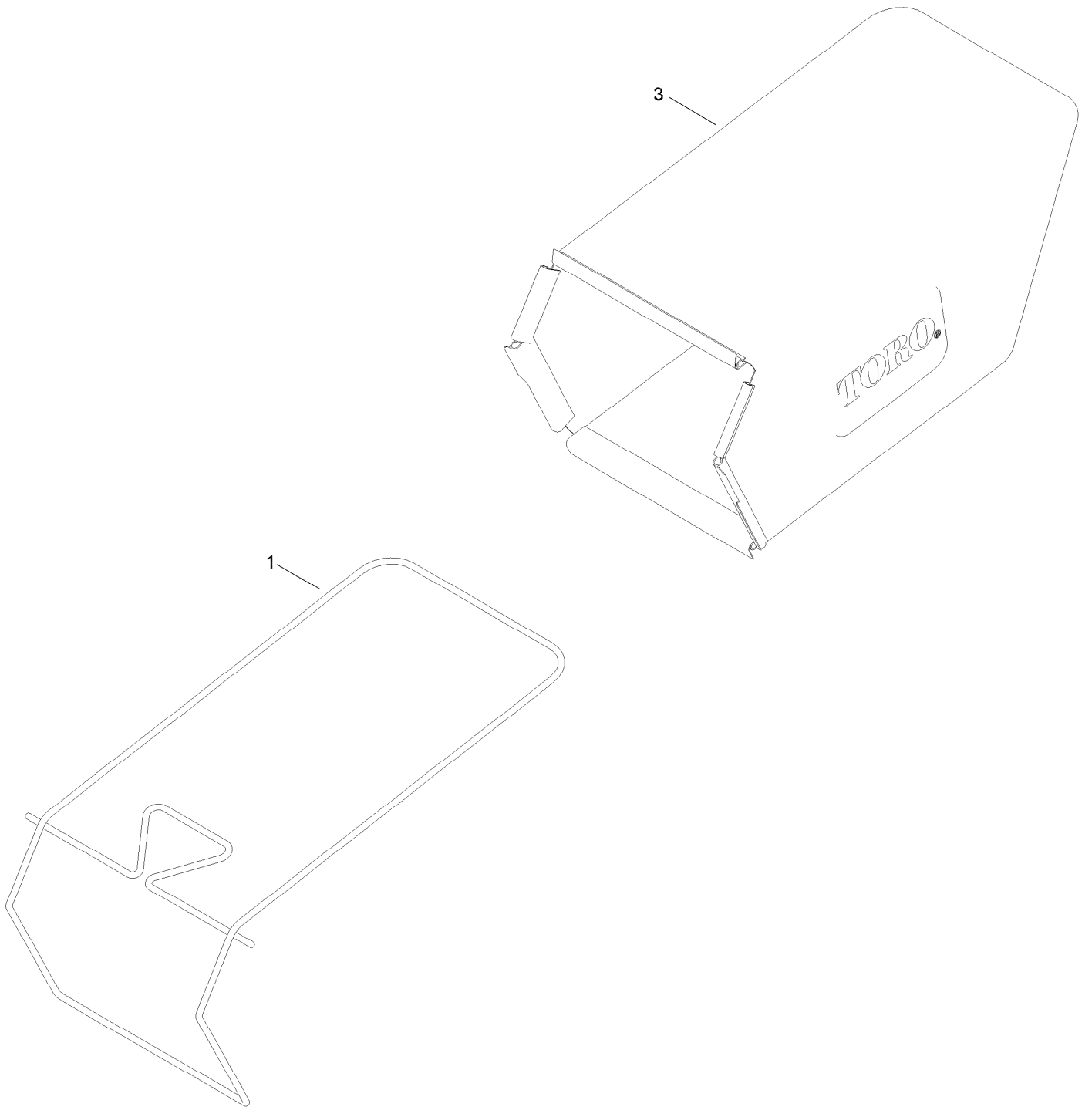
Frame Assembly



Frame Assembly (continued)

<i>Ref.</i>	<i>Part Number</i>	<i>Qty.</i>	<i>Description</i>	<i>Ref.</i>	<i>Part Number</i>	<i>Qty.</i>	<i>Description</i>
1	144-3191	1	Housing ASM	22:2	131-4514	1	Decal-Warning
2	115-4667-01	1	Baffle-Front	23	140-4197	1	Spring-Torsion
20	140-3906	1	Baffle-Rear, Fwd	24	140-4198	1	Spring-Torsion
21	117-5991	2	Washer-Stepped, Baffle	30	139-5457	1	Bumper-Front
22	136-7003	1	Rear Deflector ASM	31	139-5467	3	Screw-Plastic, HWH

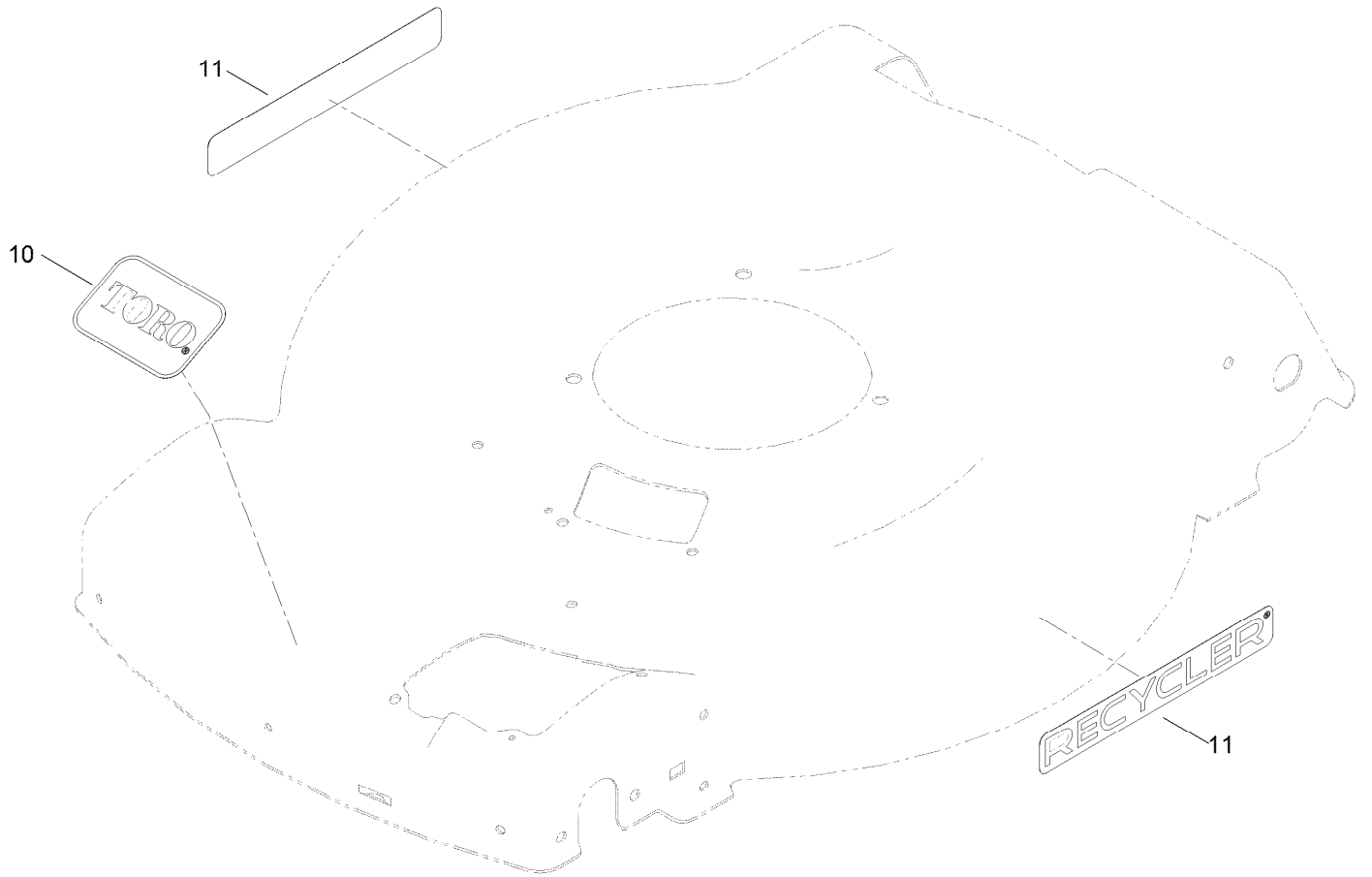
Grass Bag Assembly



Grass Bag Assembly (continued)

<i>Ref.</i>	<i>Part Number</i>	<i>Qty.</i>	<i>Description</i>
1	140-3931-03	1	Bag Frame ASM (Welded)
3	161-3149	1	Bag-Grass, ASM

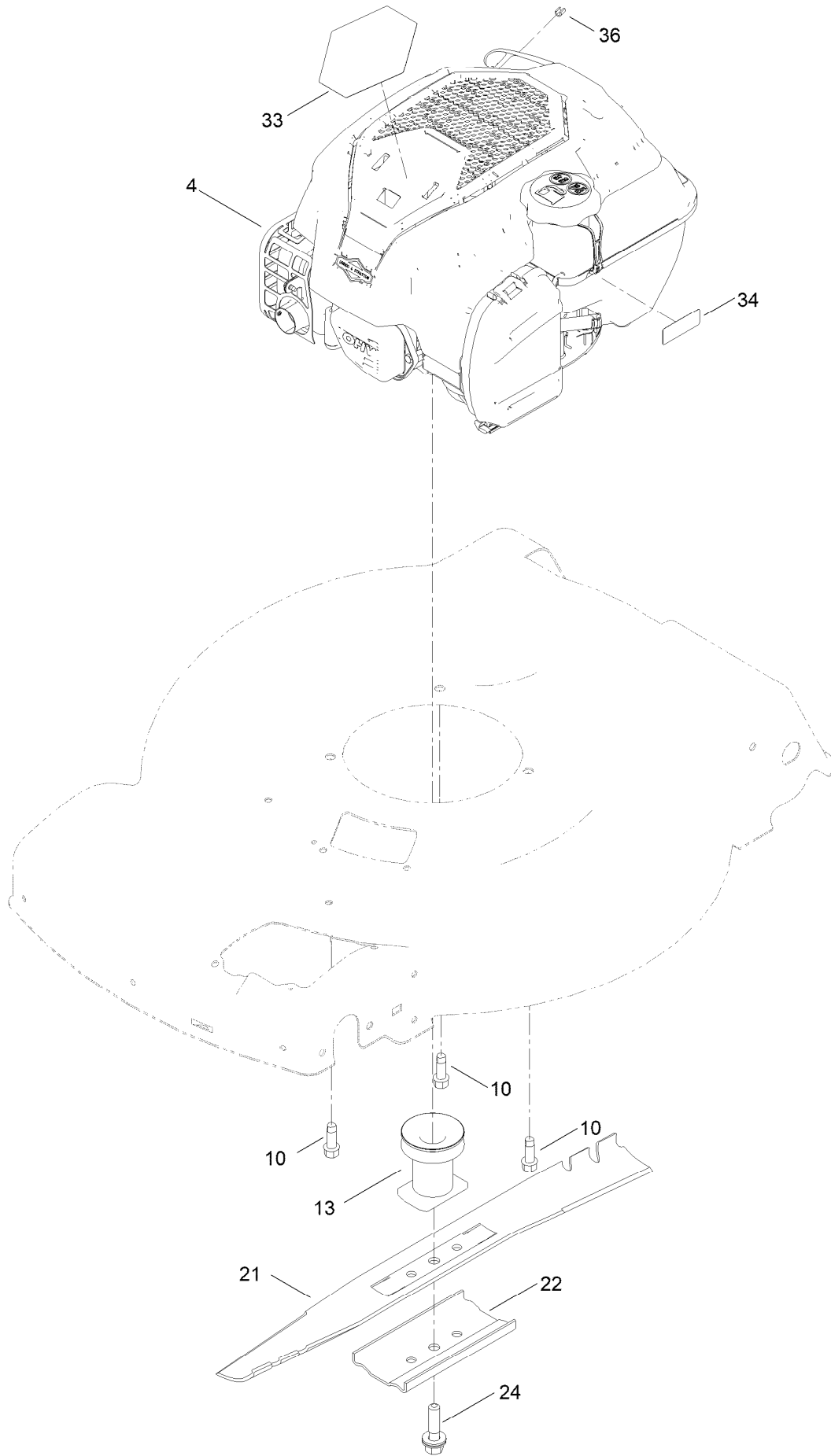
Deck Decal Assembly



Deck Decal Assembly (continued)

<i>Ref.</i>	<i>Part Number</i>	<i>Qty.</i>	<i>Description</i>
10	140-4183	1	Decal
11	140-4184	2	Decal

Engine and Blade Assembly



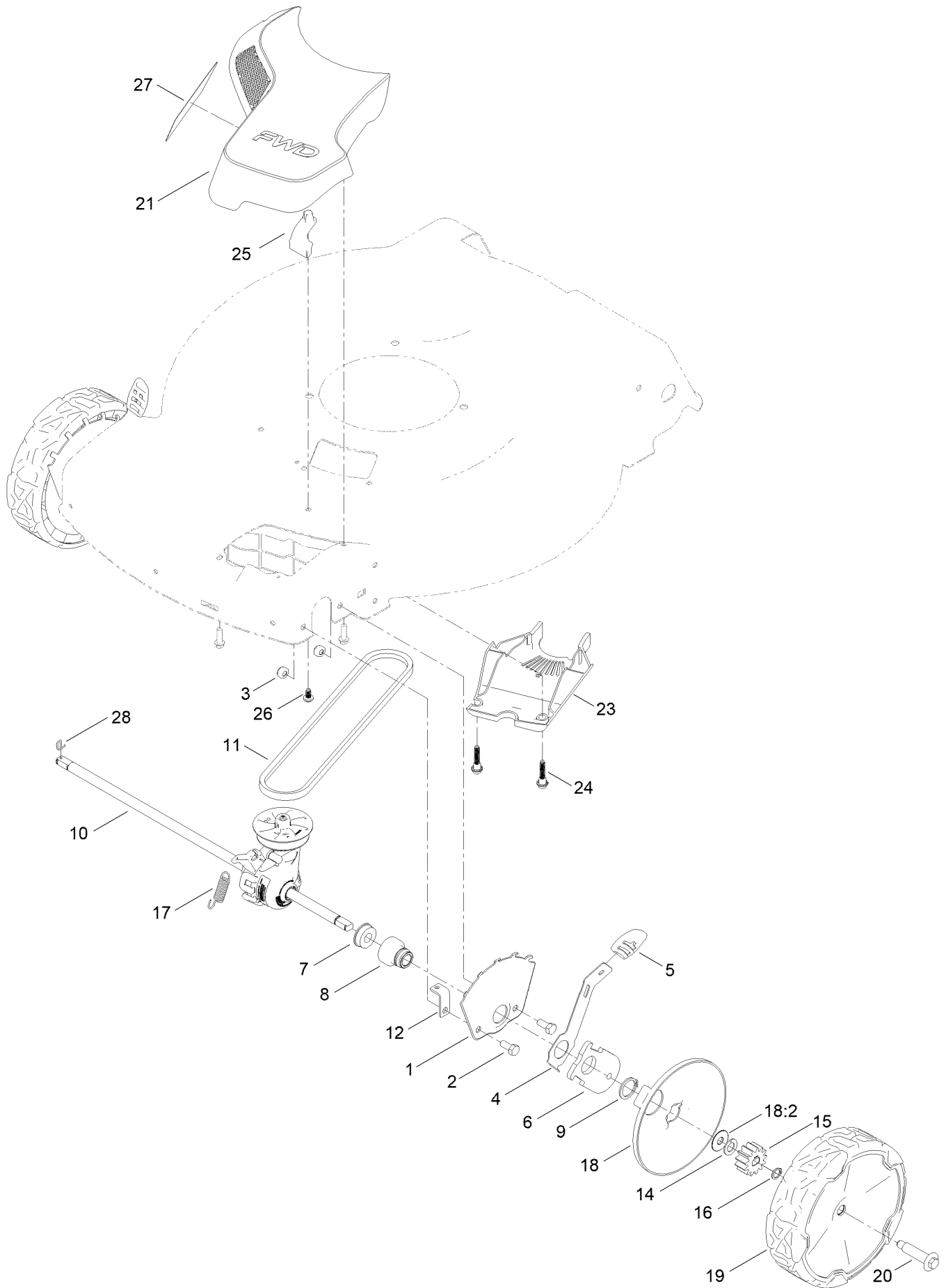
Engine and Blade Assembly (continued)

<i>Ref.</i>	<i>Part Number</i>	<i>Qty.</i>	<i>Description</i>	<i>Ref.</i>	<i>Part Number</i>	<i>Qty.</i>	<i>Description</i>
4		1	Engine-Briggs,104M020130F1 ●■	22	108-3766-03	1	Support-Blade
10	95-1726	3	Screw-Taptite	24	125-2466	1	Bolt-Blade
13	140-3975	1	Driver-Blade	33	147-8650	1	Decal-Shroud
21	131-9683-03	1	Blade	34	133-8198	1	Decal-Level, Fuel
				36	2210-316	1	Stop-Rope

● Not serviced separately

■ Obtain parts from www.briggsandstratton.com

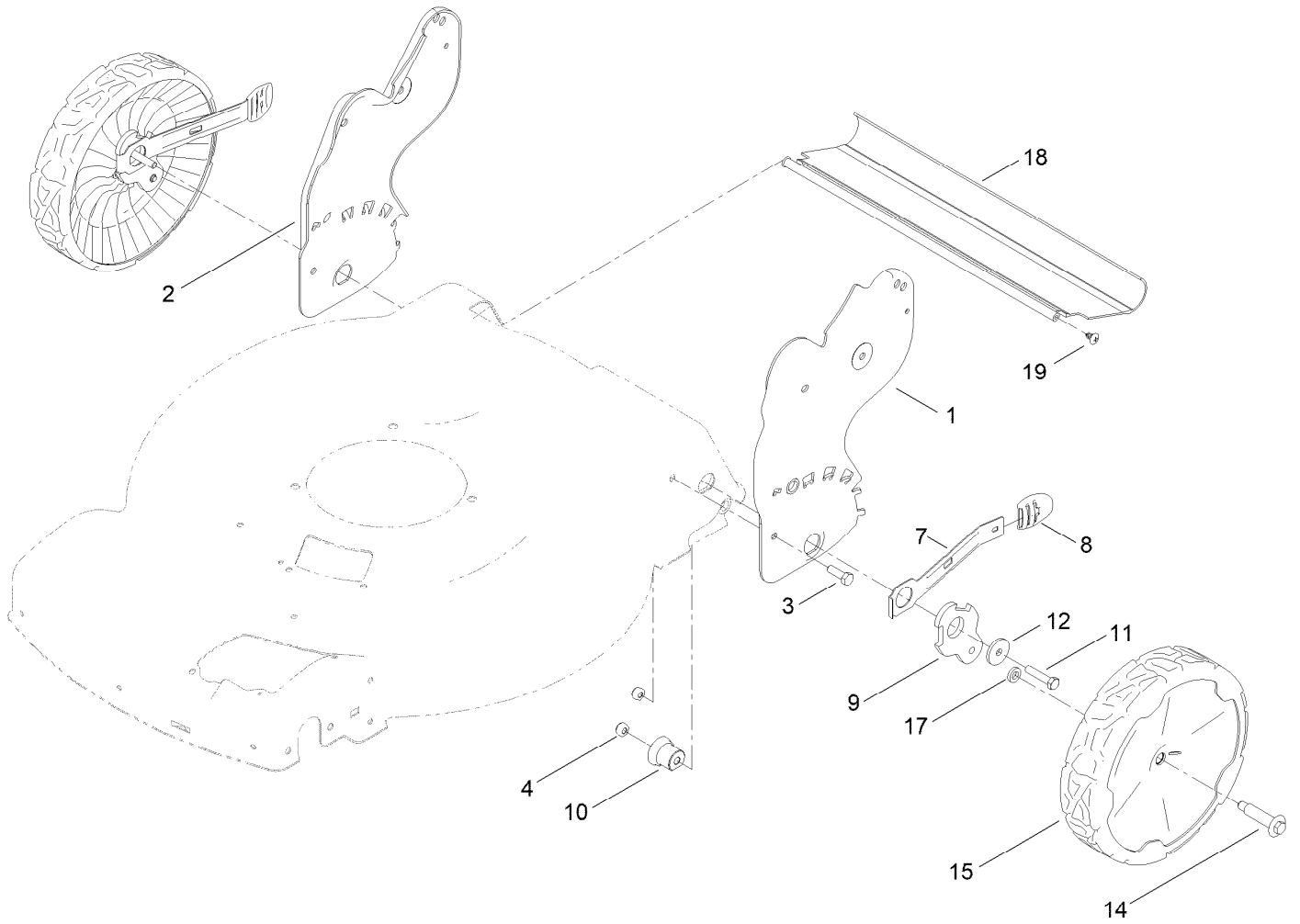
Front Wheel and Height-of-Cut Assembly



Front Wheel and Height-of-Cut Assembly (continued)

<i>Ref.</i>	<i>Part Number</i>	<i>Qty.</i>	<i>Description</i>	<i>Ref.</i>	<i>Part Number</i>	<i>Qty.</i>	<i>Description</i>
1	115-1956-05	2	Plate-HOC,Front Fsvq	17	145-3863	1	Spring-Extension
2	137-3052	4	Screw-HH	18	140-2364	2	ASM-Cover, Wheel (Dk Gray)
3	119-4038	4	Nut-Hex	18:2	614426	1	Washer-Stepped
4	105-1809	2	Arm-Spring	19	140-2358	2	ASM-8" Wheel, Fwd (Bushings)
5	105-3042	2	Knob-Lever, HOC	20	614650	2	Bolt-Shoulder
6	137-9128	2	Arm-Pivot, Front	21	144-0215	1	ASM-Intake, Fwd
7	104-8699	2	Bearing-Ball	23	140-2389	1	Cover-Belt, Lower (Awd)
8	131-0836	2	Retainer-Bearing, HOC	24	140-4038	2	Screw-Shoulder,HWH
9	32151-36	2	Ring-Retaining	25	144-6371	1	Pad-Stop
10	139-6562	1	Transmission-Fwd	26	140-4036	1	Screw-Plastic,PH
11	117-1018	1	V-Belt	27	145-1488	1	Decal-Vortex Awd
12	144-6392	1	Tab-Mount, Cable	28	130-2369	1	Pin-Snap
14	110-7191	2	Washer-Thrust				
15	131-0896	2	Gear-Pinion, 13T				
16	32151-61	1	Ring-Retaining				

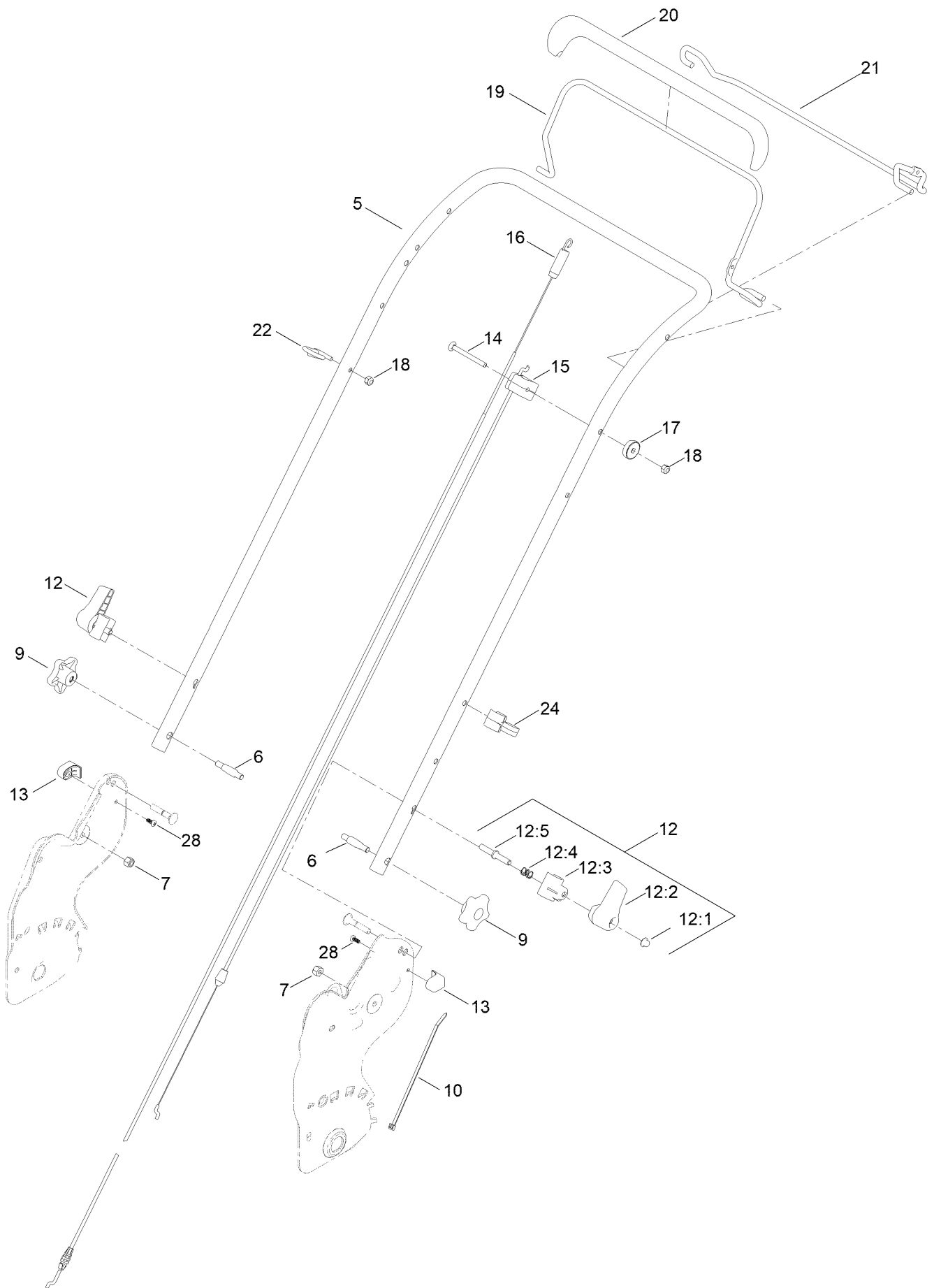
Rear Wheel and Height-of-Cut Assembly



Rear Wheel and Height-of-Cut Assembly (continued)

<i>Ref.</i>	<i>Part Number</i>	<i>Qty.</i>	<i>Description</i>	<i>Ref.</i>	<i>Part Number</i>	<i>Qty.</i>	<i>Description</i>
1	140-3910-05	1	Plate-HOC, Fwd LH [blk-Txt]	10	131-0895	2	Bushing-Mount, HOC
2	140-3911-05	1	Plate-HOC, Fwd RH [blk-Txt]	11	120-2779	2	Screw-HH
3	139-1716	2	Screw-HH	12	139-1704	2	Washer-Flat
4	119-4038	4	Nut-Hex	14	614650	2	Bolt-Shoulder
7	115-2899	2	Arm-Spring, Rear	15	140-2351	2	ASM-9.65" Wheel, Bushings
8	105-3042	2	Knob-Lever, HOC	17	139-5449	2	Washer-Wheel Bolt
9	140-3878	2	Arm-Pivot, Rear	18	144-6431	1	Shield-Trailing
				19	139-1692	2	Screw-PTH

Handle Assembly



Handle Assembly (continued)

<i>Ref.</i>	<i>Part Number</i>	<i>Qty.</i>	<i>Description</i>	<i>Ref.</i>	<i>Part Number</i>	<i>Qty.</i>	<i>Description</i>
5	144-6516-05	1	Handle-Curved	14	144-0221	1	Screw-CARR
6	139-6588	2	Bolt-Shoulder, Handle	15	140-3948	1	Cable-Brake, Fwd
7	119-4038	2	Nut-Hex	16	140-3947	1	Cable-Traction, Fwd
9	117-5976	2	Knob-Handle	17	136-9075	1	Washer-Curved
10	614249	1	Tie-Cable	18	137-3094	2	Nut-Hex
12	138-3249	2	Quick Release ASM	19	140-3918-03	1	Bail-Brake
12:1	140-4157	1	Nut-Push	20	140-3879	1	Cover-Bail
12:2	138-3248	1	Lever-Release	21	140-4024-03	1	Bail-Traction
12:3	138-3253	1	Anchor-Spring	22	86-9671	1	Guide-Rope
12:4	115-2858	1	Spring-Compression	24	114-7988	1	Guide-Cable
12:5	140-4158	1	Rod-Release	28	137-9137	2	Screw-PPH
13	140-2369	2	Pad-Smart Stow				

Attachments and Accessories

For 21770 Recycler S55OST 55cm Lawn Mower with SmartStow

Product Name	Model/Part
Fuel Stabilizer .05 oz	130-2393
Briggs Maint Kit.....	130-8148
4-Cycle Fuel, Snow And Lawn 32oz Can	131-3823
Toro Premium Fuel Treatment 12oz Bottle.....	131-6572
Oil-30/10W-30 Synthetic (Quart).....	138-6053
SD Chute ASM	145-1538
Lawn Striping Kit with 22in Roller.....	20601
Toro 4-Cycle SAE 30 Oil (32oz Bottle)	38903
Summer Oil-Case of 24 (20oz Bottles).....	38916
Smart Stow Walk Power Mower Cover	490-2012
Bag-Walk Behind (Toro).....	490-7318

Notes:



Count on it.