



Count on it.

Parts Catalog

55cm Recycler®

Lawn Mower with SmartStow®

Model No. 21774—Serial No. 40000000 and Up



Ordering Replacement Parts

To order replacement parts, please supply the part number, the quantity, and the description of each part desired.

Understanding Reference Numbers

Each identified part in an illustration has a reference number. The reference number for a part also appears in the parts list, along with other information about the part.

This catalog uses two special reference number formats, one to indicate parts in a service assembly and another to indicate the quantity of a given part in an illustration.

Service Assembly Reference Numbers

Parts in service assemblies have reference numbers in the form a:b. The a represents the reference number of the entire service assembly and the b represents a sequential number unique to each part within the service assembly.

For example, a wheel assembly might be identified by reference number 6, the tire by 6:1, the valve by 6:2, and the wheel by 6:3. When you order the assembly identified by reference number 6, you receive all parts identified by reference numbers 6:1, 6:2, and 6:3. However, you may also order any part individually. Reference numbers of this type appear in illustration and in parts lists.

Reference Numbers Indicating Quantity

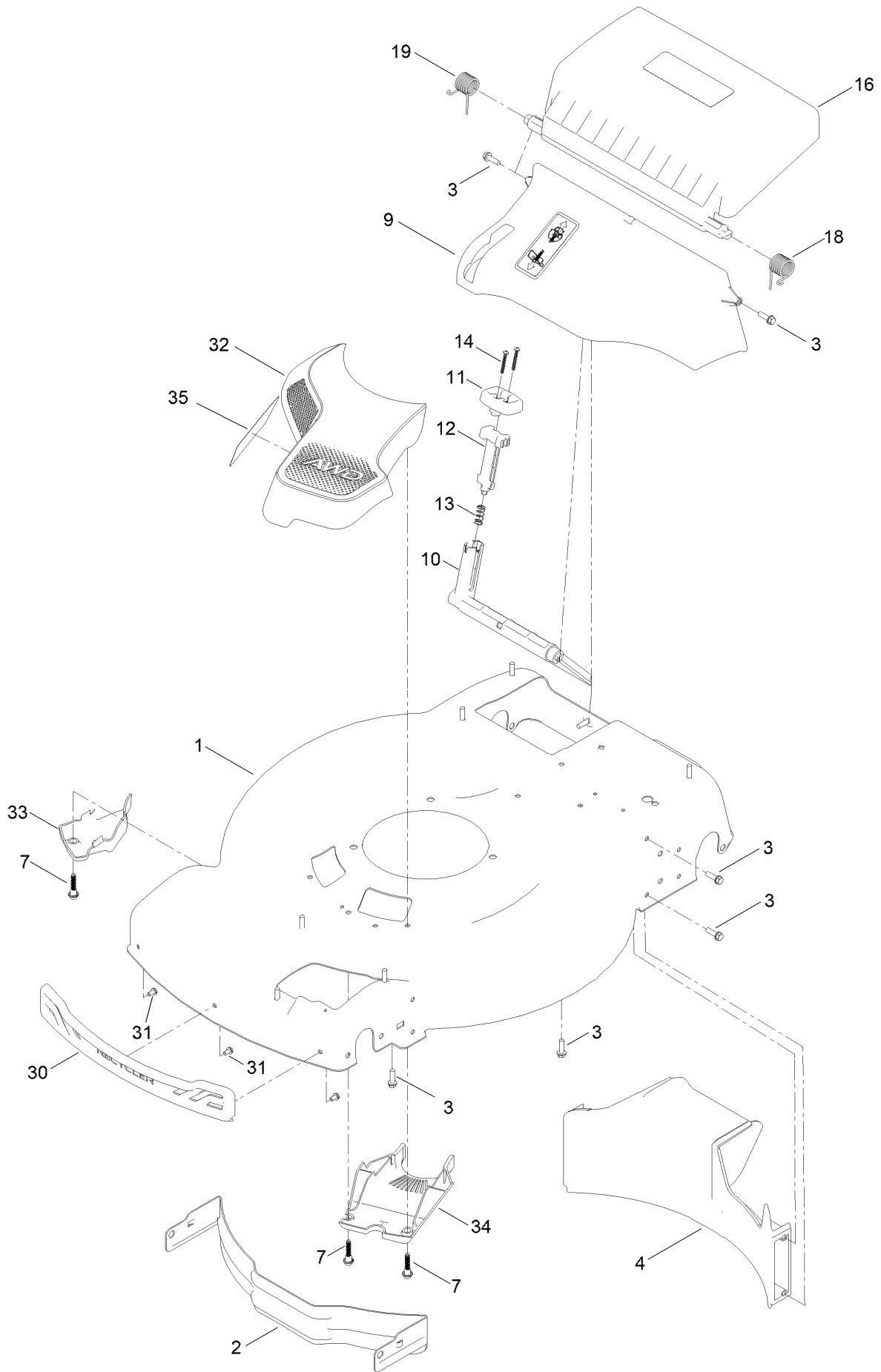
In an illustration, if a reference number indicates more than one part, the reference number has the form nX y. The n represents the quantity of the part, the X is the multiplication symbol, and the y represents the reference number.

For example, in an illustration, the reference number 2X 37 means that two of the parts identified by reference number 37 are indicated.

Contents

Housing Assembly	4
Rear Bag Assembly	6
Decal Assembly	8
Engine and Blade Assembly	10
Front Wheel and Height-of-Cut Assembly	12
Rear Wheel and Height-of-Cut Assembly	14
Handle Assembly	16
Attachments and Accessories	18

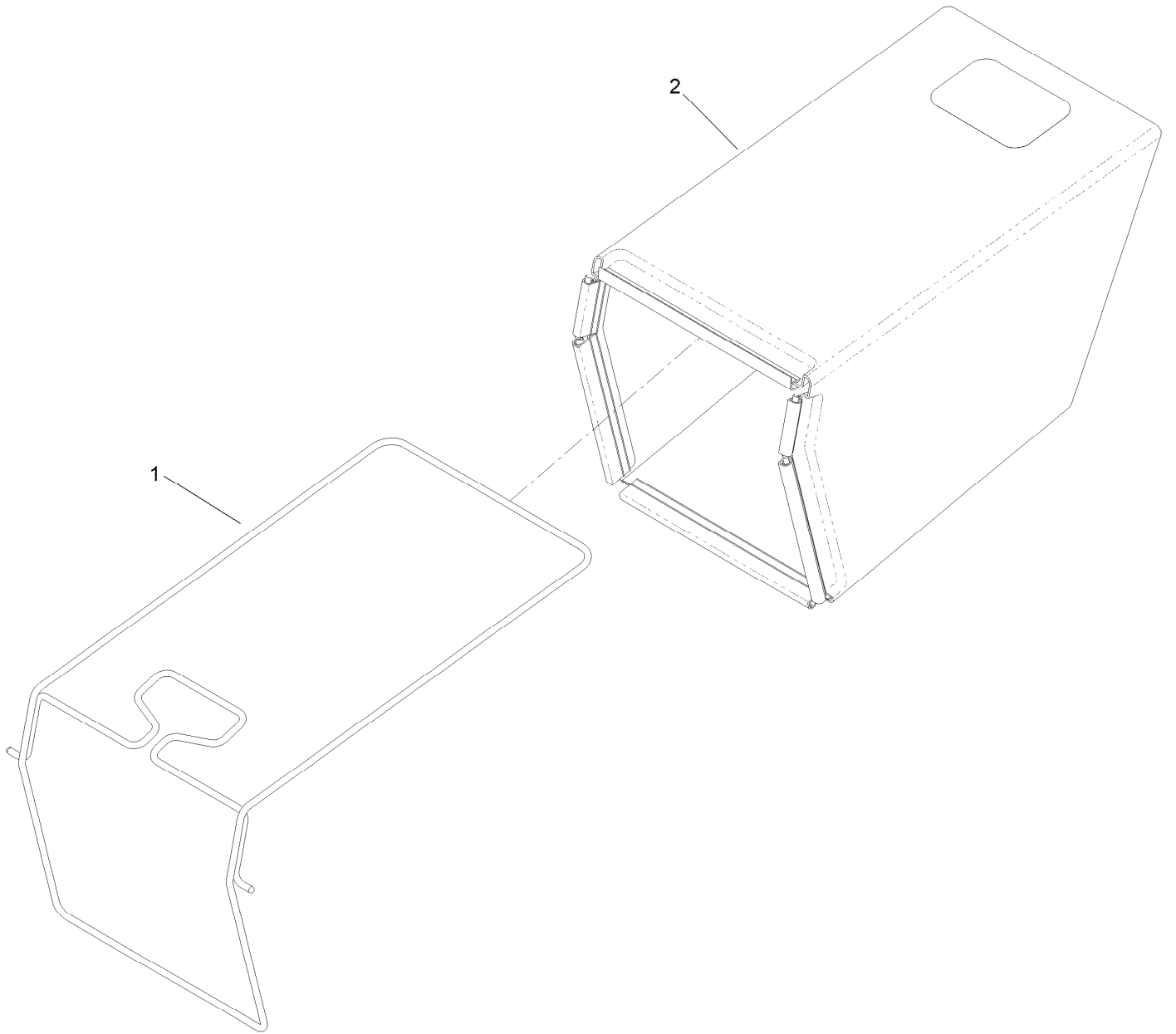
Housing Assembly



Housing Assembly (continued)

<i>Ref.</i>	<i>Part Number</i>	<i>Qty.</i>	<i>Description</i>	<i>Ref.</i>	<i>Part Number</i>	<i>Qty.</i>	<i>Description</i>
1	145-1526	1	Housing ASM	14	32104-120	2	Screw-PPH
2	115-4667-01	1	Baffle-Front	16	139-5476	1	ASM-Rear Door, In Mold
3	137-3099	13	Screw-Plastite, HWH	18	139-5478	1	Spring-Torsion, LH
4	139-5440	1	Baffle-Rear, Rwd	19	139-5479	1	Spring-Torsion, RH
7	131-0837	3	Screw-Shoulder, HHF	30	139-5457	1	Bumper-Front
9	140-2368	1	ASM-Chute, In Mold	31	139-5467	3	Screw-Plastic, HWH
10	139-5443	1	Deflector-Recycle	32	144-0211	1	ASM-Intake, Awd
11	139-5444	1	Knob-Recycle	33	140-2384	1	Cover-Intake, Bottom
12	139-5445	1	Latch-Recycle	34	140-2389	1	Cover-Belt, Lower (Awd)
13	140-4192	1	Spring-Compression	35	145-1488	1	Decal-Vortex Awd

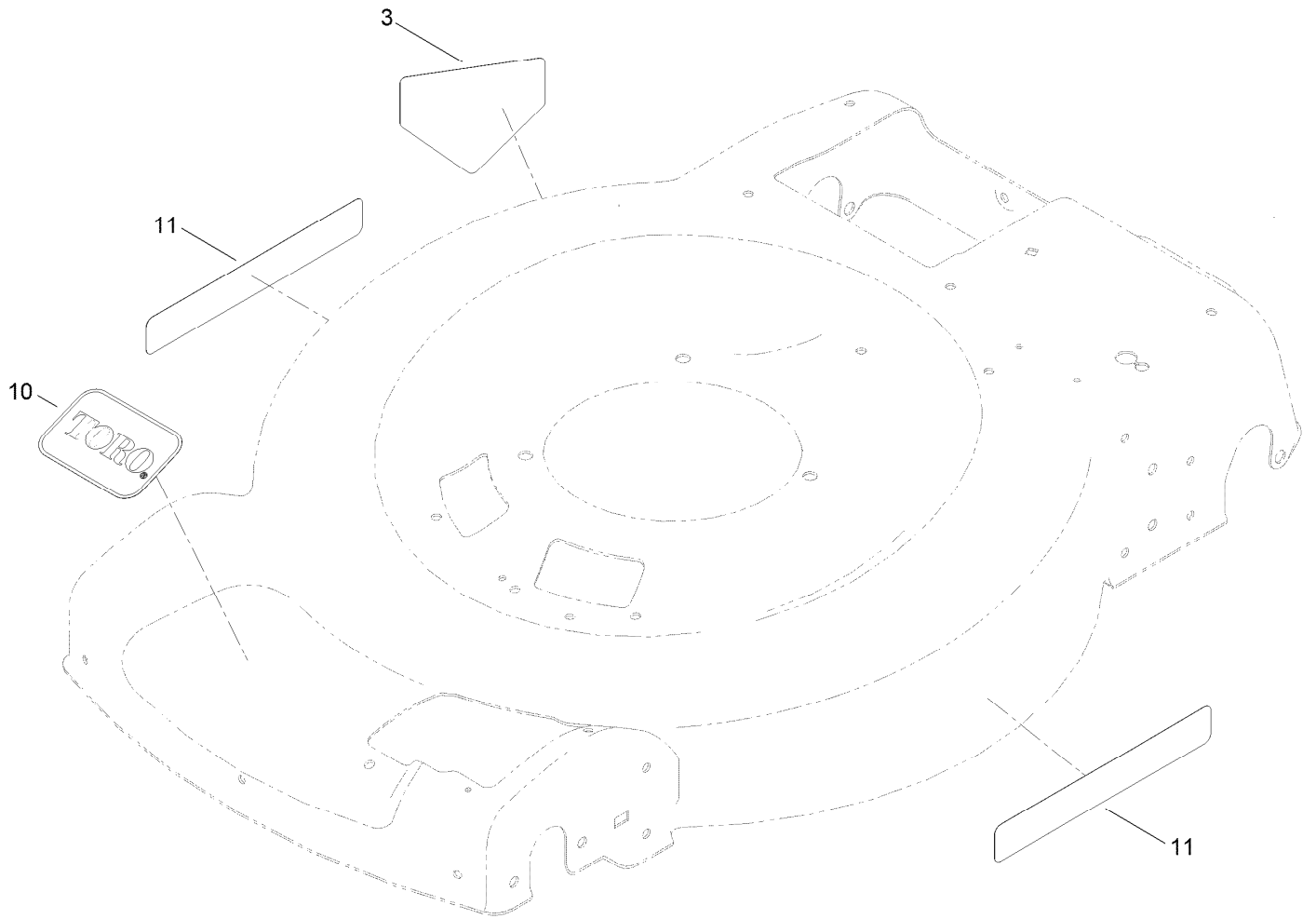
Rear Bag Assembly



Rear Bag Assembly (continued)

<i>Ref.</i>	<i>Part Number</i>	<i>Qty.</i>	<i>Description</i>
1	139-5470-03	1	ASM-Frame, Bag
2	139-5471	1	ASM-Bag, Grass

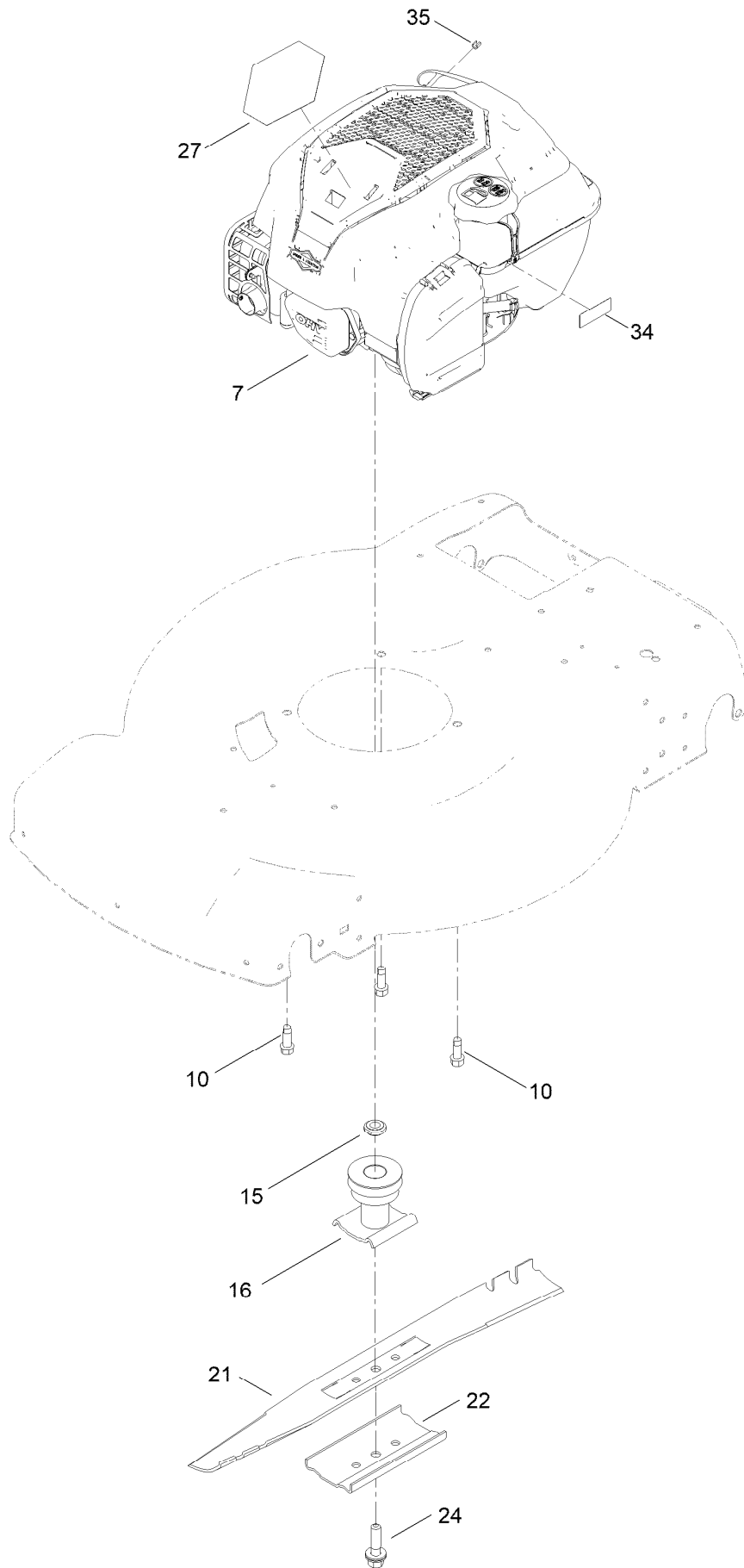
Decal Assembly



Decal Assembly (continued)

<i>Ref.</i>	<i>Part Number</i>	<i>Qty.</i>	<i>Description</i>
3	112-8760	1	Decal-Danger
10	140-4183	1	Decal
11	140-4184	2	Decal

Engine and Blade Assembly



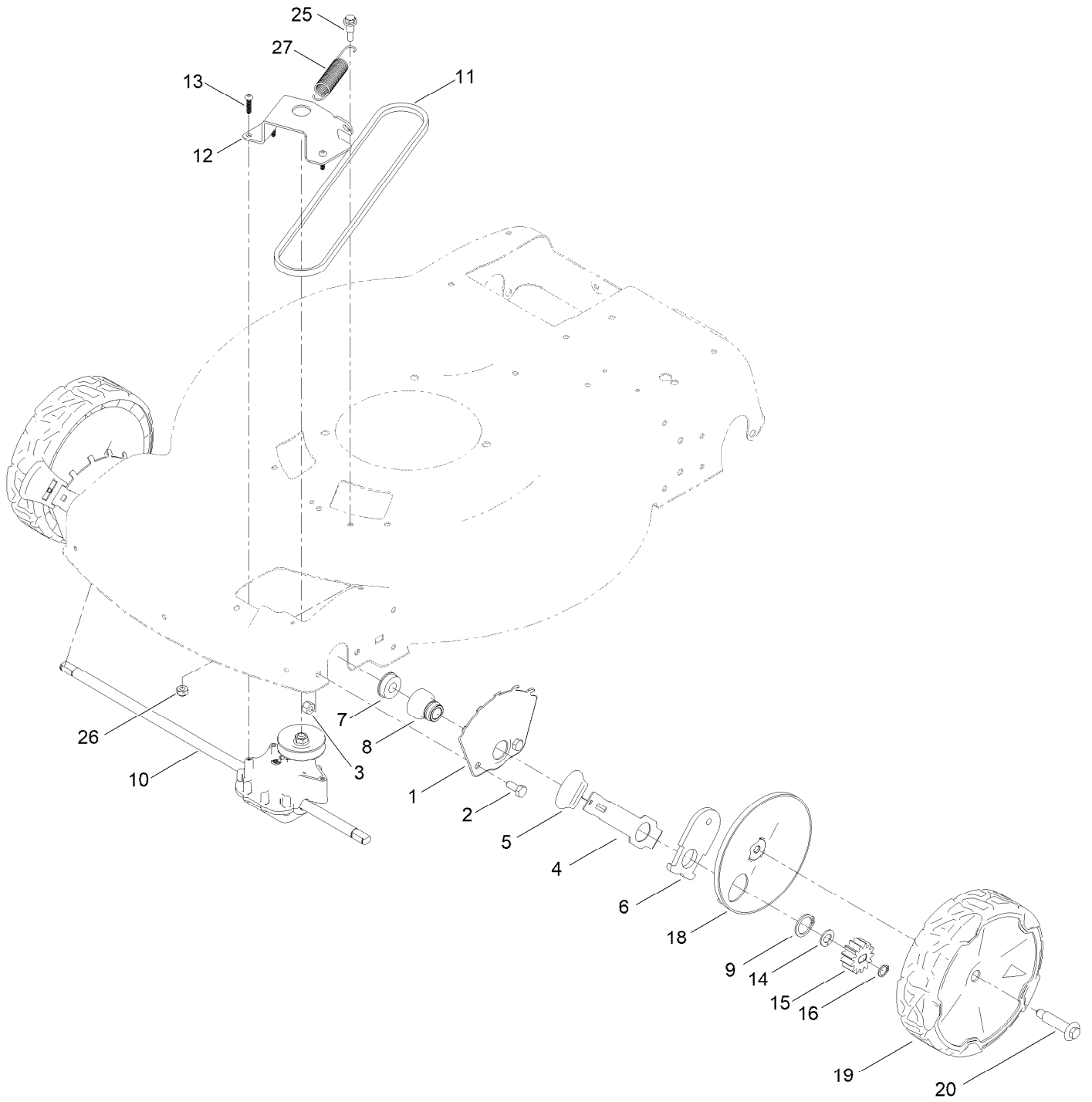
Engine and Blade Assembly (continued)

<i>Ref.</i>	<i>Part Number</i>	<i>Qty.</i>	<i>Description</i>	<i>Ref.</i>	<i>Part Number</i>	<i>Qty.</i>	<i>Description</i>
7		1	Engine-Briggs,104M020130F1 ●■	22	108-3766-03	1	Support-Blade
10	121-5844	3	Screw-Thd Form, HWH	24	125-2466	1	Bolt-Blade
15	106-3999	1	Spacer-Driver	27	145-1458	1	Decal - Briggs 675 Exi SS
16	130-6705	1	Driver-Blade	34	133-8198	1	Decal-Level, Fuel
21	131-9683-03	1	Blade	35	2210-316	1	Stop-Rope

● Not serviced separately

■ Obtain parts from www.briggsandstratton.com

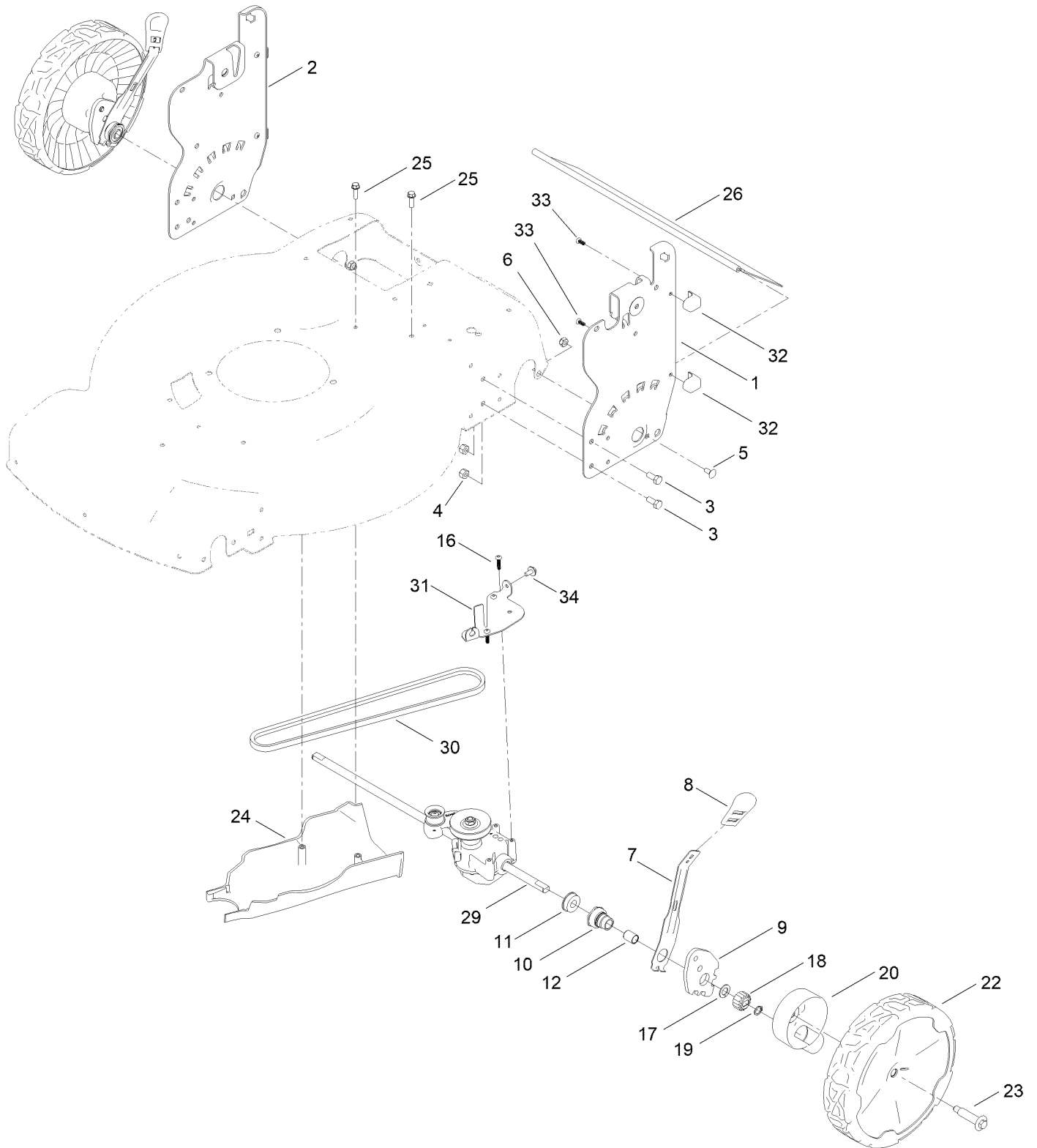
Front Wheel and Height-of-Cut Assembly



Front Wheel and Height-of-Cut Assembly (continued)

<i>Ref.</i>	<i>Part Number</i>	<i>Qty.</i>	<i>Description</i>	<i>Ref.</i>	<i>Part Number</i>	<i>Qty.</i>	<i>Description</i>
1	115-1956-05	2	Plate-HOC,Front Fsvq	13	120-9676	3	Screw-Plastite
2	137-3052	4	Screw-HH	14	110-7191	2	Washer-Thrust
3	119-4038	4	Nut-Hex	15	131-0896	2	Gear-Pinion, 13T
4	105-1809	2	Arm-Spring	16	32151-61	2	Ring-Retaining
5	110-0549	2	Knob-HOC	18	140-2364	2	ASM-Cover, Wheel (Dk Gray)
6	137-9128	2	Arm-Pivot, Front	19	140-2358	2	ASM-8" Wheel, Fwd (Bushings)
7	104-8699	2	Bearing-Ball	20	614650	2	Bolt-Shoulder
8	131-0836	2	Retainer-Bearing, HOC	25	104-0858	1	Bolt-Shoulder
9	32151-36	2	Ring-Retaining	26	139-1724	1	Nut-Lock
10	137-4823	1	Transmission	27	140-4193	1	Spring-Extension
11	71-9450	1	V-Belt				
12	114-7978-03	1	Bracket-Transmission				

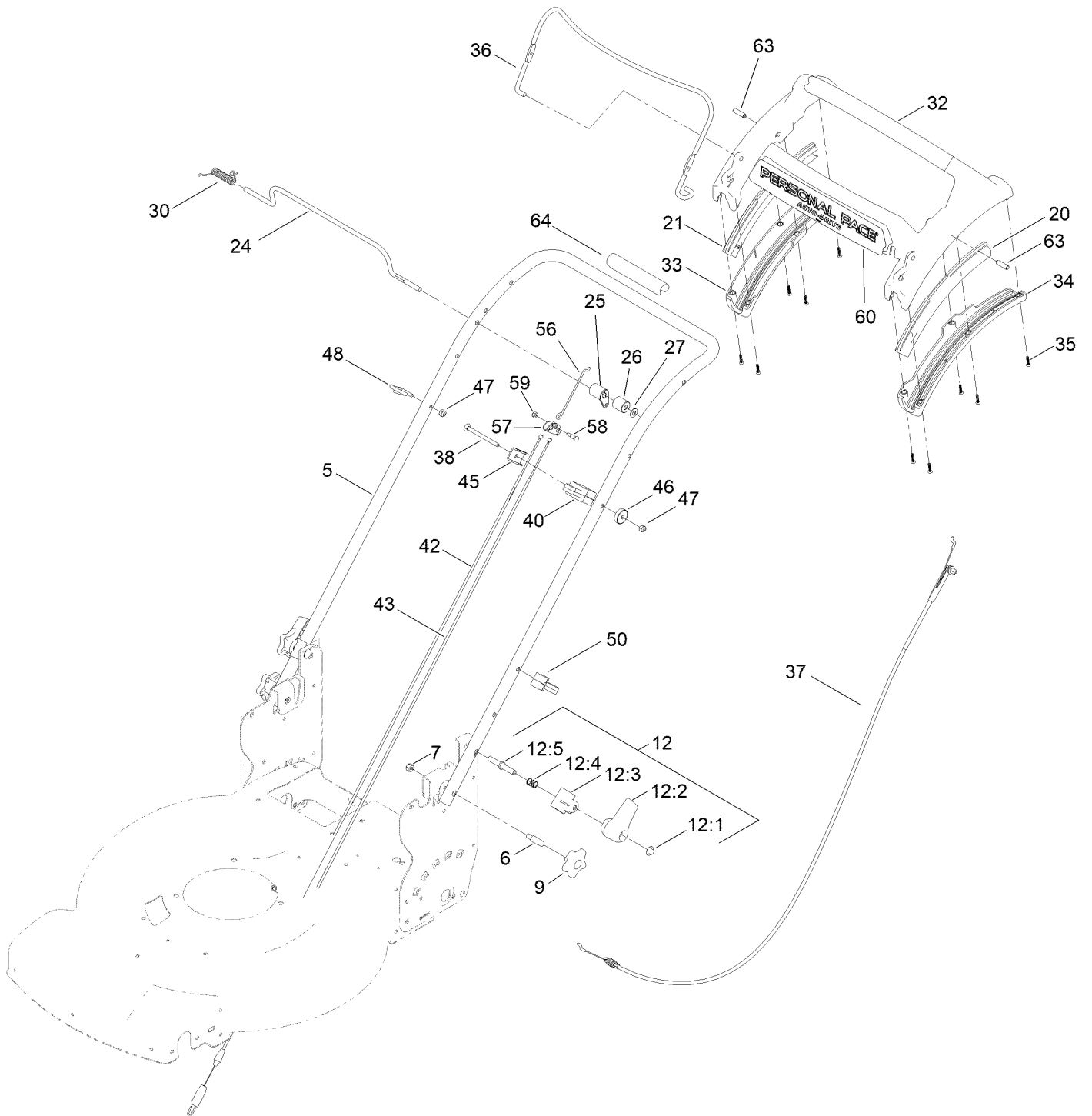
Rear Wheel and Height-of-Cut Assembly



Rear Wheel and Height-of-Cut Assembly (continued)

<i>Ref.</i>	<i>Part Number</i>	<i>Qty.</i>	<i>Description</i>	<i>Ref.</i>	<i>Part Number</i>	<i>Qty.</i>	<i>Description</i>
1	139-6593-05	1	Plate-HOC, LH (2 Hole)	18	131-5399	2	Gear-Pinion, 15T
2	139-6592-05	1	Plate-HOC, RH (2 Hole)	19	32151-61	2	Ring-Retaining
3	137-3052	4	Screw-HH	20	140-2362	2	ASM-Cover, Gear (Dk Gray)
4	119-4038	4	Nut-Hex	22	140-2350	2	ASM-9.65" Wheel, Geared
5	100-1445	2	Bolt-CARR	23	614650	2	Bolt-Shoulder
6	139-1724	2	Nut-Lock	24	130-6709	1	Cover-Belt, Rear
7	132-4486	2	Arm-Spring	25	137-3099	2	Screw-Plastite, HWH
8	110-0549	2	Knob-HOC	26	139-6597	1	Shield-Trailing
9	139-5451	2	Arm-Pivot, Rear	29	140-2370	1	Transmission-Awd
10	108-9779	2	Retainer-Bushing, HOC	30	140-2380	1	Belt-Awd, 34.50
11	104-8699	2	Bearing-Ball	31	140-2371-03	1	Guide-Belt, Awd
12	108-9782	2	Bushing-Sleeve	32	140-2369	4	Pad-Smart Stow
16	120-9676	3	Screw-Plastite	33	137-9137	4	Screw-PPH
17	110-7191	2	Washer-Thrust	34	139-1700	1	Screw-HWH, Thd Roll

Handle Assembly



Handle Assembly (continued)

<i>Ref.</i>	<i>Part Number</i>	<i>Qty.</i>	<i>Description</i>	<i>Ref.</i>	<i>Part Number</i>	<i>Qty.</i>	<i>Description</i>
5	144-0227-05	1	Handle-Curved, Awd	34	139-6568	1	Bottom-Handle, LH
6	139-6588	2	Bolt-Shoulder, Handle	35	94-4496	10	Screw-PPH
7	119-4038	1	Nut-Hex	36	140-4023-03	1	Bail-Brake
9	117-5976	2	Knob-Handle	37	139-6594	1	Cable-Brake, Pp B&s
12	138-3249	2	Quick Release ASM	38	144-0222	1	Screw-CARR
12:1	140-4157	1	Nut-Push	40	139-6582	1	Anchor-Cable, Awd
12:2	138-3248	1	Lever-Release	42	140-2391	1	Cable-Traction, Front (Awd)
12:3	138-3253	1	Anchor-Spring	43	140-2392	1	Cable-Traction, Rear (Awd)
12:4	115-2858	1	Spring-Compression	45	136-5922	1	Clamp-Cable
12:5	140-4158	1	Rod-Release	46	136-9075	1	Washer-Curved
20	140-2367	1	Guide-Curved, LH (Rwd)	47	137-3094	2	Nut-Hex
21	140-2366	1	Guide-Curved, RH (Rwd)	48	86-9671	1	Guide-Rope
24	139-5464	1	Rod-Control, Traction	50	114-7988	1	Linkage-Cable
25	140-2378	1	Lever-Traction, Awd	56	140-2379	1	Linkage-Equalizer
26	144-0219	1	Spacer-Lever, Traction	57	144-0213	1	Yoke-Cable
27	120-9683	1	Washer-Plain	58	144-0212	1	Bolt-Equalizer
30	140-4194	1	Spring-Torsion	59	137-3085	1	Nut-Hex
32	139-6569	1	Handle-Personal Pace, Curved	60	145-1459	1	Decal - Ads, Handle
33	139-6567	1	Bottom-Handle, RH	63	139-6577	2	Pin-Handle, Pp
				64	131-4551	1	Cover-Handle

Attachments and Accessories

For 21774 55cm Recycler Lawn Mower with SmartStow

Product Name	Model/Part
Chute ASM	139-6556
Traction Assist Handle Kit.....	144-6377
Lawn Striping Kit with 22in Roller.....	20601
Bag-Walk Behind (Toro).....	490-7318
Lawnmower Cover.....	490-7462
22 Inch Atomic Blade.....	59534P

For 21774 55cm Recycler Lawn Mower with SmartStow

Product Name	Model/Part
Fuel Stabilizer .05 oz	130-2393
4-Cycle Fuel, Snow And Lawn 32oz Can	131-3823
Toro Premium Fuel Treatment 12oz Bottle.....	131-6572
Oil-30/10W-30 Synthetic (Quart).....	138-6053
Traction Assist Handle Kit.....	144-6377
Chute ASM	147-8696
Lawn Striping Kit with 22in Roller.....	20601
Toro 4-Cycle SAE 30 Oil (32oz Bottle)	38903
Summer Oil-Case of 24 (20oz Bottles).....	38916
Bag-Walk Behind (Toro).....	490-7318
Lawnmower Cover.....	490-7462
22 Inch Atomic Blade.....	59534P

Notes:



Count on it.