



**Count on it.**

**Parts Catalog**

**TXL 2000**

**Tool Carrier**

**Model No. 22531—Serial No. 412700000 and Up**



# Ordering Replacement Parts

To order replacement parts, please supply the part number, the quantity, and the description of each part desired.

## Understanding Reference Numbers

Each identified part in an illustration has a reference number. The reference number for a part also appears in the parts list, along with other information about the part.

This catalog uses two special reference number formats, one to indicate parts in a service assembly and another to indicate the quantity of a given part in an illustration.

## Service Assembly Reference Numbers

Parts in service assemblies have reference numbers in the form a:b. The a represents the reference number of the entire service assembly and the b represents a sequential number unique to each part within the service assembly.

For example, a wheel assembly might be identified by reference number 6, the tire by 6:1, the valve by 6:2, and the wheel by 6:3. When you order the assembly identified by reference number 6, you receive all parts identified by reference numbers 6:1, 6:2, and 6:3. However, you may also order any part individually. Reference numbers of this type appear in illustration and in parts lists.

## Reference Numbers Indicating Quantity

In an illustration, if a reference number indicates more than one part, the reference number has the form nX y. The n represents the quantity of the part, the X is the multiplication symbol, and the y represents the reference number.

For example, in an illustration, the reference number 2X 37 means that two of the parts identified by reference number 37 are indicated.

# Contents

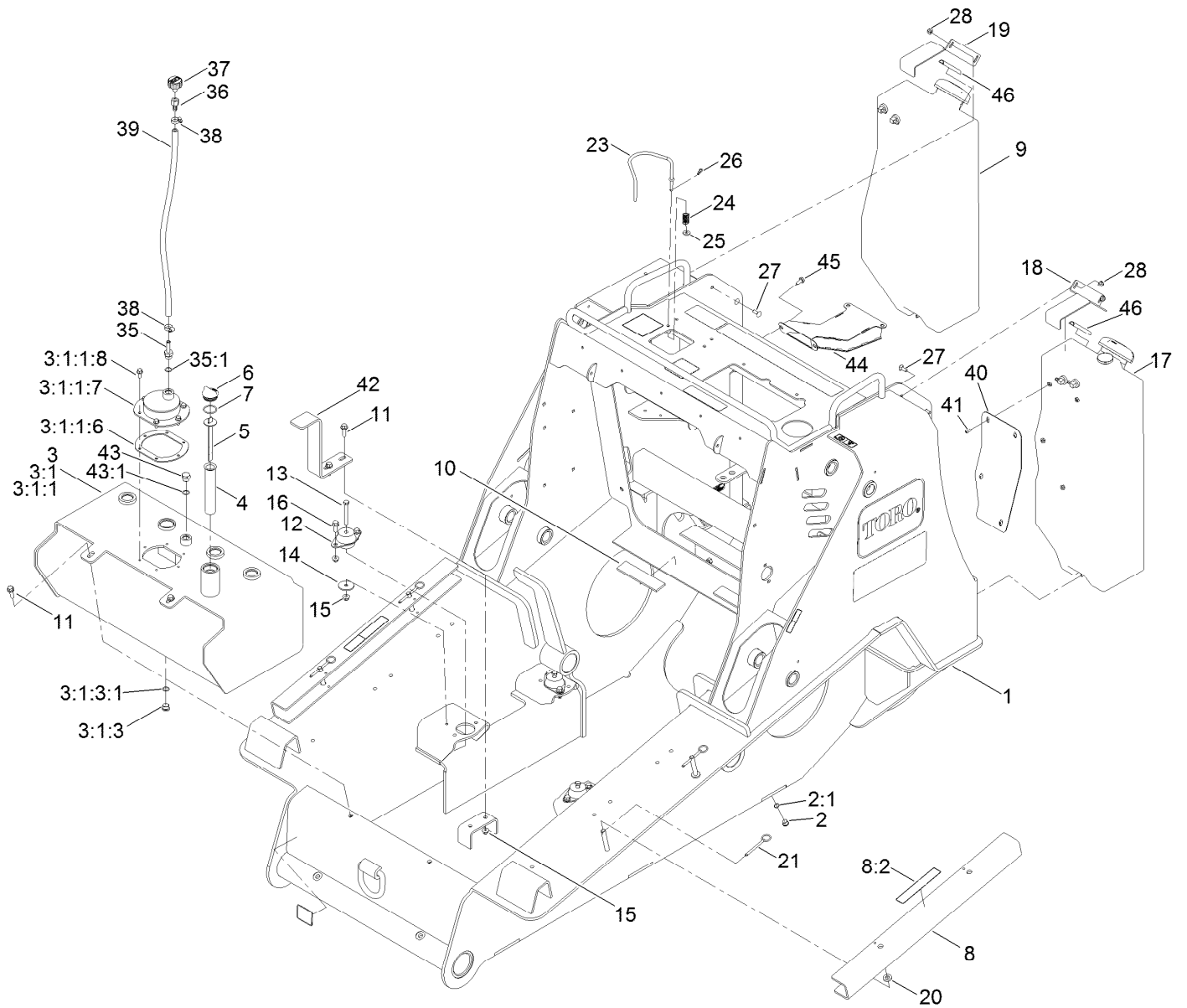
|   |     |
|---|-----|
| Frame Assembly                              | 6   |
| Frame Assembly No. 138-4723                 | 8   |
| RH Fuel Tank Assembly No. 133-6814          | 10  |
| LH Fuel Tank Assembly No. 133-6991          | 12  |
| Track Mount Assembly                        | 14  |
| LH Track Assembly                           | 16  |
| Track Drive Assembly No. 136-4751           | 18  |
| RH Track Assembly No. 136-4871              | 20  |
| Engine and Air Cleaner Assembly             | 22  |
| Air Cleaner Assembly No. 99-5410            | 24  |
| Engine Mount and Air Intake Hose Assembly   | 26  |
| Fuel Pump and Water Separator Assembly      | 28  |
| Fuel Filter and Hose Assembly               | 30  |
| Radiator and Fan Assembly                   | 32  |
| Radiator Hose Assembly                      | 34  |
| Lift Valve and Pump Assembly                | 36  |
| Lift Valve Assembly No. 136-4783            | 38  |
| Gear Pump Assembly No. 133-0281             | 40  |
| Auxiliary Hydraulic Assembly                | 42  |
| Auxiliary Manifold Assembly No. 136-4872    | 44  |
| Tandem Pump Assembly                        | 46  |
| Tandem Hydraulic Pump Assembly No. 132-8497 | 48  |
| Front Hydraulic Pump Assembly No. 139-4800  | 50  |
| Front Hydraulic Pump Assembly No. 139-4800  | 52  |
| Front Hydraulic Pump Assembly No. 139-4800  | 54  |
| Front Hydraulic Pump Assembly No. 139-4800  | 56  |
| Rear Hydraulic Pump Assembly No. 139-4801   | 58  |
| Rear Hydraulic Pump Assembly No. 139-4801   | 60  |
| Rear Hydraulic Pump Assembly No. 139-4801   | 62  |
| Rear Hydraulic Pump Assembly No. 139-4801   | 64  |
| Loader Arm Hydraulic Hose Assembly          | 66  |
| Control Console Assembly                    | 68  |
| Loader Arm Assembly                         | 70  |
| Qtach Assembly No. 132-8468                 | 72  |
| Platform Assembly                           | 74  |
| Hood and Access Panel Assembly              | 76  |
| Electrical Assembly                         | 78  |
| Main Wire Harness Assembly No. 122-2172     | 80  |
| Crankcase Assembly                          | 82  |
| Oil Pan Assembly                            | 84  |
| Oil Dipstick and Guide Assembly             | 86  |
| Oil Pump Assembly                           | 88  |
| Cylinder Head Assembly                      | 90  |
| Inlet and Exhaust Manifold Assembly         | 92  |
| Rocker Arm Assembly                         | 94  |
| Cylinder Head Cover Assembly                | 96  |
| Gear Case Assembly                          | 98  |
| Oil Filter Cartridge Assembly               | 100 |
| Main Bearing Case Assembly                  | 102 |
| Piston and Crankshaft Assembly              | 104 |
| Cam Shaft and Idle Gear Assembly            | 106 |
| Flywheel Assembly                           | 108 |
| Fuel Pump (Mechanical) Assembly             | 110 |
| Fuel Camshaft Assembly                      | 112 |

# Contents (continued)

|  |     |
|--|-----|
| Supply Pump Assembly .....                               | 114 |
| Fuel Filter Assembly .....                               | 116 |
| Separator Assembly .....                                 | 118 |
| Injector and Glow Plug Assembly .....                    | 120 |
| Injection Pipe Assembly .....                            | 122 |
| Fuel Pump (Electrical) Assembly .....                    | 124 |
| Common Rail Assembly .....                               | 126 |
| Alternator and Pulley Assembly .....                     | 128 |
| Alternator Components Assembly .....                     | 130 |
| Starter Installation Assembly .....                      | 132 |
| Starter (Component Parts) Assembly .....                 | 134 |
| Oil Switch and Thermometer Assembly .....                | 136 |
| Injector Harness Assembly .....                          | 138 |
| Wire Harness Assembly .....                              | 140 |
| Wire Harness Bracket Assembly .....                      | 142 |
| Water Flange and Thermostat Assembly .....               | 144 |
| Water Pipe Assembly .....                                | 146 |
| Water Pump Assembly .....                                | 148 |
| Inlet Manifold Assembly .....                            | 150 |
| Inlet Hose Assembly .....                                | 152 |
| Exhaust Manifold Assembly .....                          | 154 |
| Exhaust Gas Recirculation Assembly .....                 | 156 |
| Exhaust Gas Recirculation Cooler Assembly .....          | 158 |
| Turbo Charger Assembly .....                             | 160 |
| Diesel Oxidation Catalyst Muffler Assembly .....         | 162 |
| Diesel Oxidation Catalyst Muffler Bracket Assembly ..... | 164 |
| Oil Separator Assembly .....                             | 166 |
| Oil Separator (Component Parts) Assembly .....           | 168 |
| Oil Pipe (Turbo Charger) Assembly .....                  | 170 |
| Oil Cooler Assembly .....                                | 172 |
| Electronic Control Unit Assembly .....                   | 174 |
| Miscellaneous Engine Parts .....                         | 176 |
| Operator Manual .....                                    | 178 |
| Attachments and Accessories .....                        | 180 |



# Frame Assembly

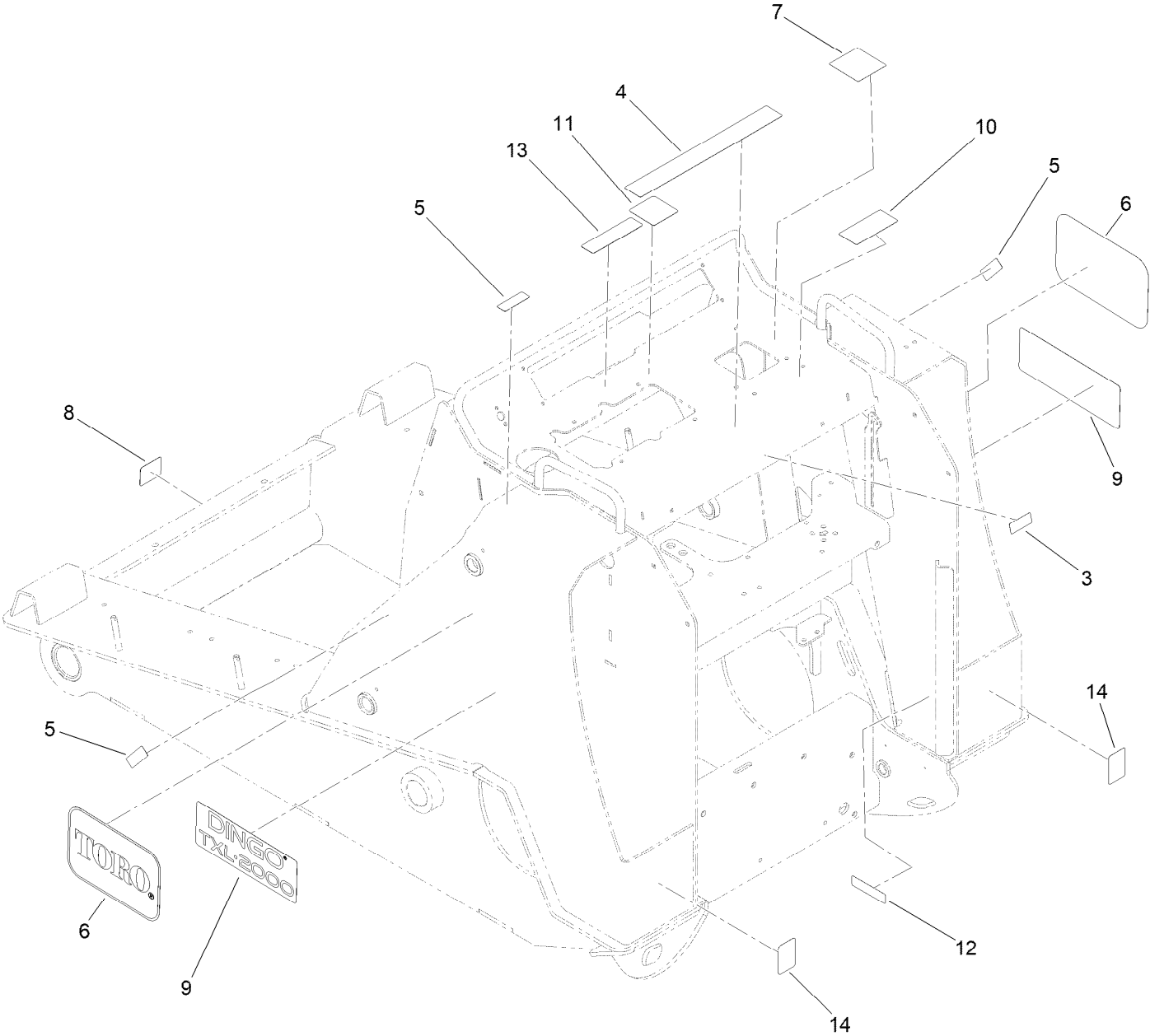


## Frame Assembly (continued)

| <i>Ref.</i> | <i>Part Number</i> | <i>Qty.</i> | <i>Description</i>   | <i>Ref.</i> | <i>Part Number</i> | <i>Qty.</i> | <i>Description</i>     |
|-------------|--------------------|-------------|----------------------|-------------|--------------------|-------------|------------------------|
| 1           | 138-4723           | 1           | Frame ASM            | 17          | 133-6991           | 1           | LH Fuel Tank ASM       |
| 2           | 353-989            | 1           | Plug-Hex, Hollow     | 18          | 137-0379-03        | 1           | Bracket-Tank LH        |
| 2:1         | 237-42             | 1           | O-Ring               | 19          | 137-0380-03        | 1           | Bracket-Tank RH        |
| 3           | 131-9336-03        | 1           | HYD Tank ASM         | 20          | 83-1470            | 4           | Washer-Neoprene        |
| 3:1         |                    | 1           | Tank-HYD ●           | 21          | 136-6125           | 4           | Pin-Ring               |
| 3:1:1       |                    | 1           | Tank-HYD, Top ●      | 23          | 138-2415           | 1           | Rod-Interlock          |
| 3:1:1:6     | 107-3557           | 1           | Gasket-Cover, Access | 24          | 85-6750            | 1           | Spring-Control         |
| 3:1:1:7     | 138-2342-03        | 1           | Cover-Access         | 25          | 88-7200            | 1           | Washer-Flat            |
| 3:1:1:8     | 98-9940            | 6           | Screw-HHF            | 26          | 3290-307           | 1           | Pin-Cotter             |
| 3:1:3       | 353-988            | 1           | Plug-Hex             | 27          | 3230-16            | 4           | Screw-CARR             |
| 3:1:3:1     | 237-79             | 1           | O-Ring               | 28          | 104-8300           | 4           | Nut-HF, NI             |
| 4           | 61-2790            | 1           | Filter-Screen        | 35          | 115-2231           | 1           | Fitting-STR            |
| 5           | 130-7686           | 1           | Dipstick             | 35:1        | 237-79             | 1           | O-Ring                 |
| 6           | 93-7498            | 1           | Plug-Plastic         | 36          | 354-94             | 1           | Fitting-Female, Barbed |
| 7           | 237-101            | 1           | O-Ring               | 37          | 68-6150            | 1           | Breather               |
| 8           | 138-4724           | 2           | Arm-Locking          | 38          | 2412-36            | 2           | Clamp-Hose             |
| 8:2         | 115-4858           | 2           | Decal-Danger         | 39          | 114-0832           | 1           | Hose-Fuel              |
| 9           | 133-6814           | 1           | RH Fuel Tank ASM     | 40          | 138-4721-03        | 1           | Plate-Guard, Tank      |
| 10          | 112-2401           | 2           | Pad-Rubber           | 41          | 3274-31            | 4           | Screw-HSBH             |
| 11          | 3234-24            | 4           | Screw-HHF            | 42          | 138-2337-03        | 1           | Strap-Hold Down        |
| 12          | 136-4885           | 4           | Mount-Engine         | 43          | 353-550            | 1           | Plug-HYD, HH           |
| 13          | 323-14             | 4           | Screw-HH             | 43:1        | 237-79             | 1           | O-Ring                 |
| 14          | 63-7400            | 4           | Washer-Rebound       | 44          | 138-2382-03        | 1           | Intake Chute ASM       |
| 15          | 104-8301           | 14          | Nut-HF, NI           | 45          | 32104-32           | 4           | Screw-HWH              |
| 16          | 3234-11            | 8           | Screw-HHF            | 46          | 138-2449           | 2           | Seal-Bulb              |

● Not serviced separately

# Frame Assembly No. 138-4723

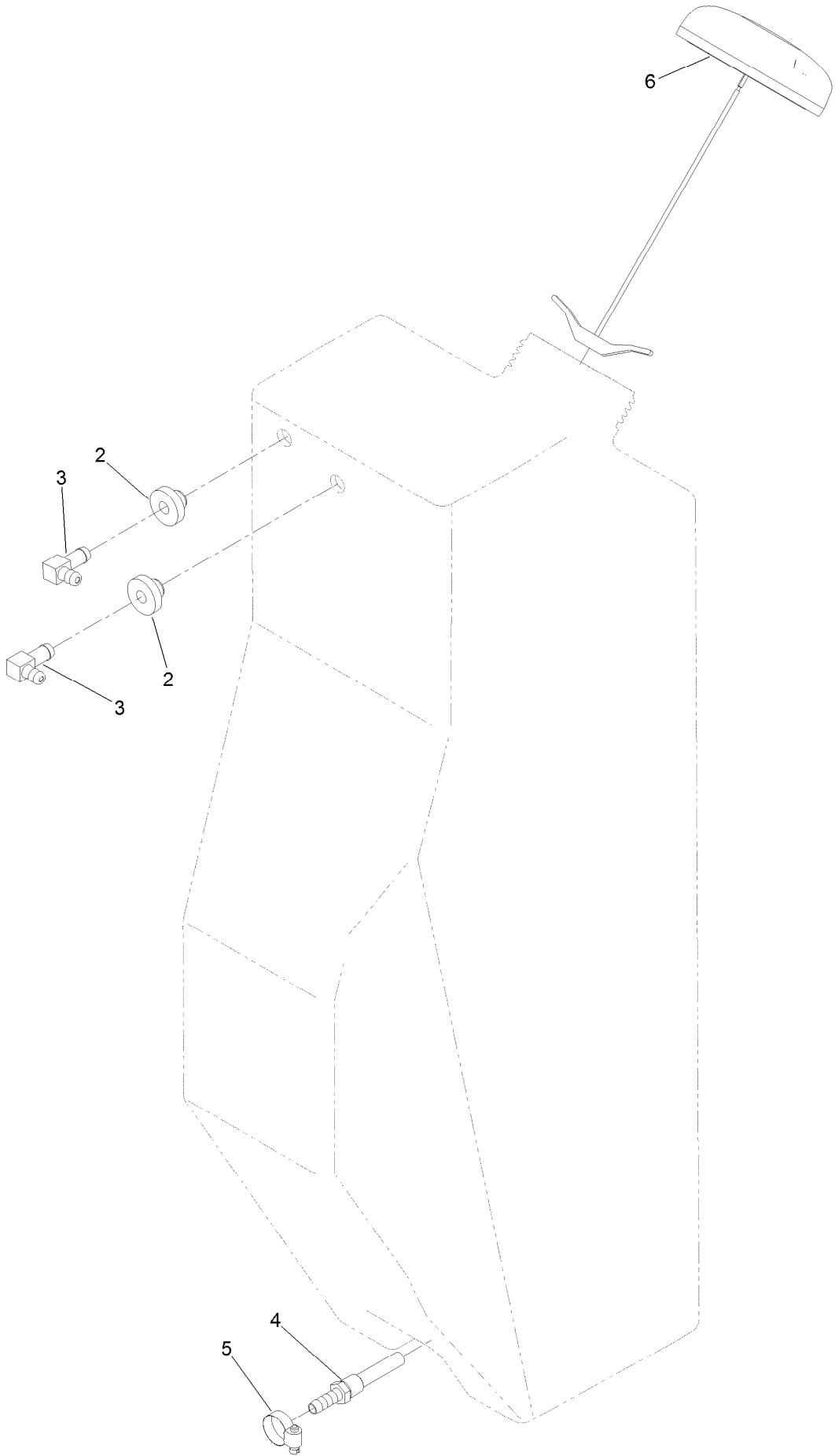




## Frame Assembly No. 138-4723 (continued)

| <i>Ref.</i> | <i>Part Number</i> | <i>Qty.</i> | <i>Description</i>    | <i>Ref.</i> | <i>Part Number</i> | <i>Qty.</i> | <i>Description</i>     |
|-------------|--------------------|-------------|-----------------------|-------------|--------------------|-------------|------------------------|
| 3           | 115-2047           | 1           | Decal-Surface, Hot    | 9           | 137-5418           | 2           | Decal                  |
| 4           | 145-0637           | 1           | Decal-Safety          | 10          | 139-1162           | 1           | Decal-Safety           |
| 5           | 120-0625           | 3           | Decal-Warning         | 11          | 139-4729           | 1           | Decal-Controls, Loader |
| 6           | 66-1210            | 2           | Decal                 | 12          | 133-8062           | 1           | Decal-Spark Arrestor   |
| 7           | 115-4857           | 1           | Decal-Control, Loader | 13          | 136-4863           | 1           | Decal-Arm,Raised       |
| 8           | 125-6694           | 1           | Decal-Tie Down        | 14          | 100-4627           | 2           | Reflector              |

# RH Fuel Tank Assembly No. 133-6814

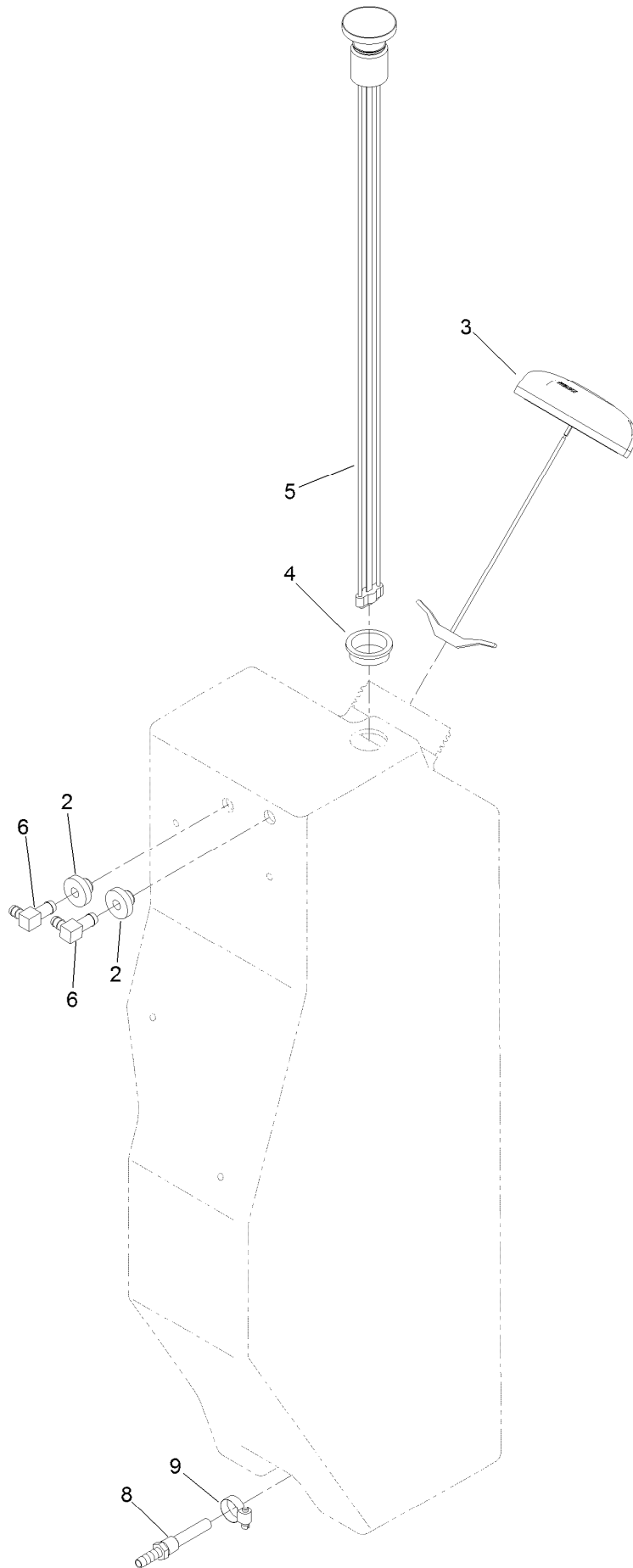


## RH Fuel Tank Assembly No. 133-6814 (continued)

| <i>Ref.</i> | <i>Part Number</i> | <i>Qty.</i> | <i>Description</i>    |
|-------------|--------------------|-------------|-----------------------|
| 2           | 46-6560            | 2           | Bushing               |
| 3           | 46-6550            | 2           | Fitting-Elbow, 90 DEG |
| 4           | 112-6374           | 1           | Fitting-Strainer      |

| <i>Ref.</i> | <i>Part Number</i> | <i>Qty.</i> | <i>Description</i> |
|-------------|--------------------|-------------|--------------------|
| 5           | 2412-36            | 1           | Clamp-Hose         |
| 6           | 136-4865           | 1           | Cap-Fuel           |

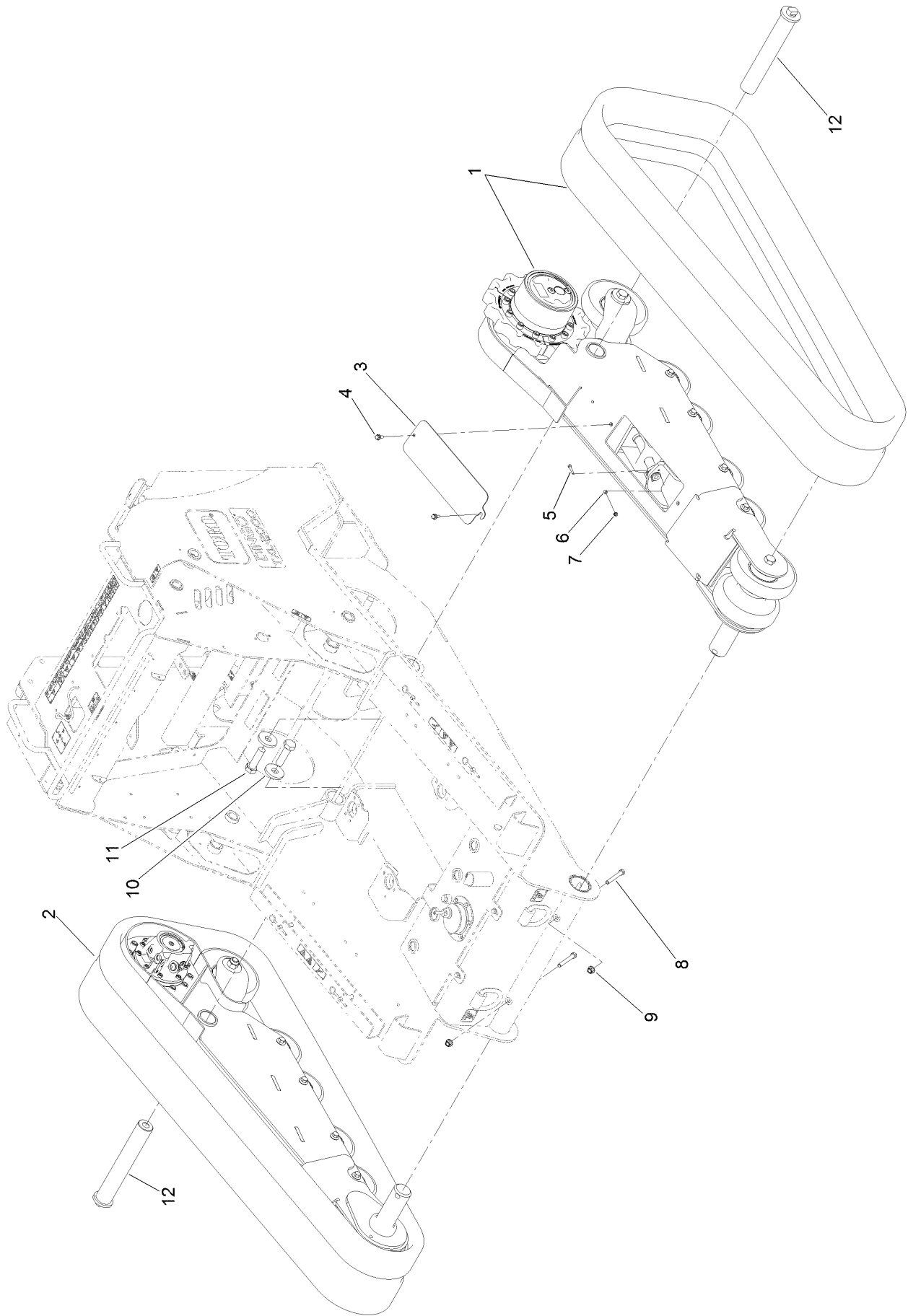
# LH Fuel Tank Assembly No. 133-6991



## LH Fuel Tank Assembly No. 133-6991 (continued)

| <i>Ref.</i> | <i>Part Number</i> | <i>Qty.</i> | <i>Description</i> | <i>Ref.</i> | <i>Part Number</i> | <i>Qty.</i> | <i>Description</i>    |
|-------------|--------------------|-------------|--------------------|-------------|--------------------|-------------|-----------------------|
| 2           | 46-6560            | 2           | Bushing            | 6           | 46-6550            | 2           | Fitting-Elbow, 90 DEG |
| 3           | 136-4865           | 1           | Cap-Fuel           | 8           | 112-6374           | 1           | Fitting-Strainer      |
| 4           | 95-8972            | 1           | Grommet            | 9           | 2412-36            | 1           | Clamp-Hose            |
| 5           | 133-6992           | 1           | Gauge-Level, Fuel  |             |                    |             |                       |

# Track Mount Assembly

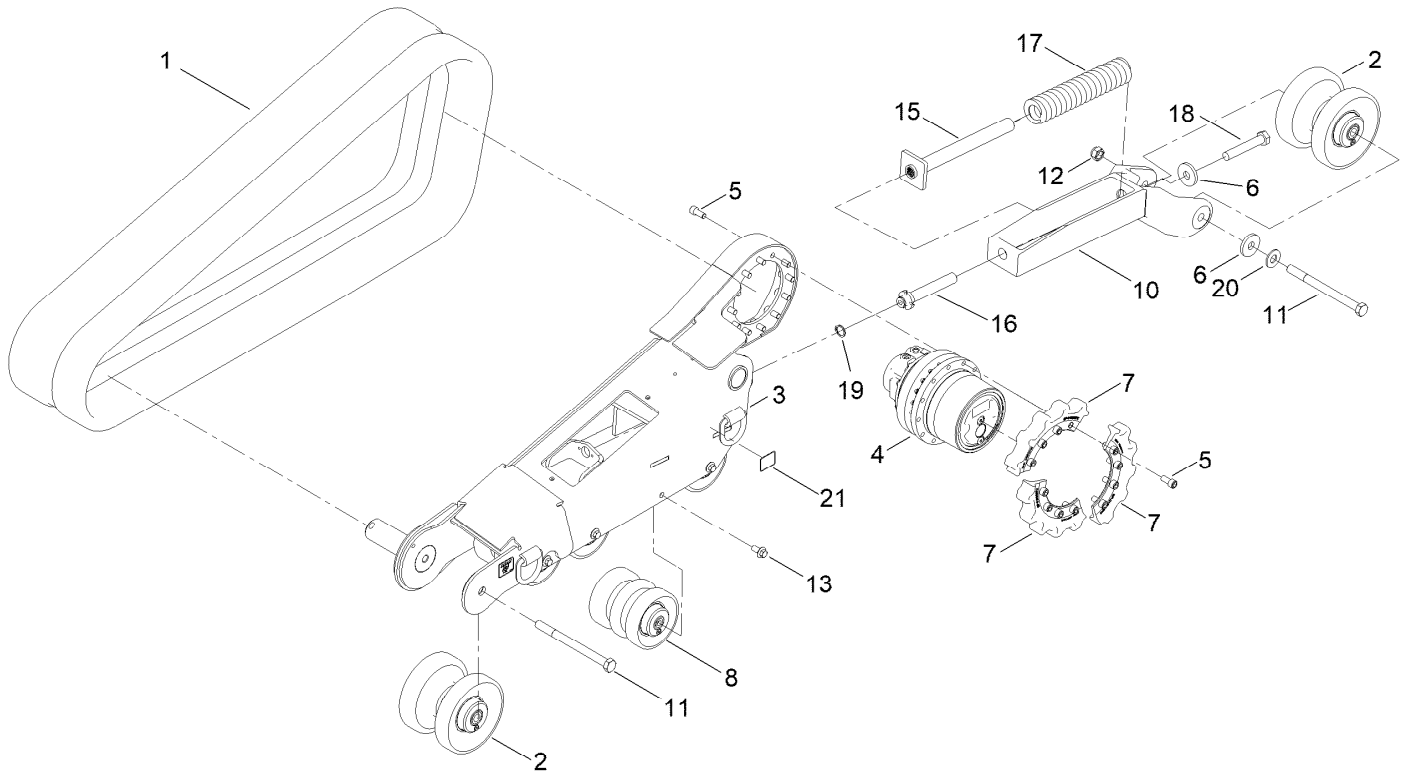


## Track Mount Assembly (continued)

| <i>Ref.</i> | <i>Part Number</i> | <i>Qty.</i> | <i>Description</i> | <i>Ref.</i> | <i>Part Number</i> | <i>Qty.</i> | <i>Description</i> |
|-------------|--------------------|-------------|--------------------|-------------|--------------------|-------------|--------------------|
| 1           |                    | 1           | LH Track ASM ●     | 7           | 32128-32           | 2           | Nut-HHF            |
| 2           |                    | 1           | RH Track ASM ●     | 8           | 116-3114           | 2           | Bolt-TAP           |
| 3           | 137-0513-03        | 2           | Cover              | 9           | 99-5107            | 2           | Nut-Lock           |
| 4           | 3234-42            | 4           | Screw-HHF          | 10          | 133-0287           | 2           | Washer-Wheel       |
| 5           | 321-9              | 2           | Screw-HH           | 11          | AU426-1656         | 2           | Screw-Cap, HH      |
| 6           | 98-4799            | 2           | Spacer             | 12          | 138-2308           | 2           | Shaft-Mount, Rear  |

● Not serviced separately

# LH Track Assembly

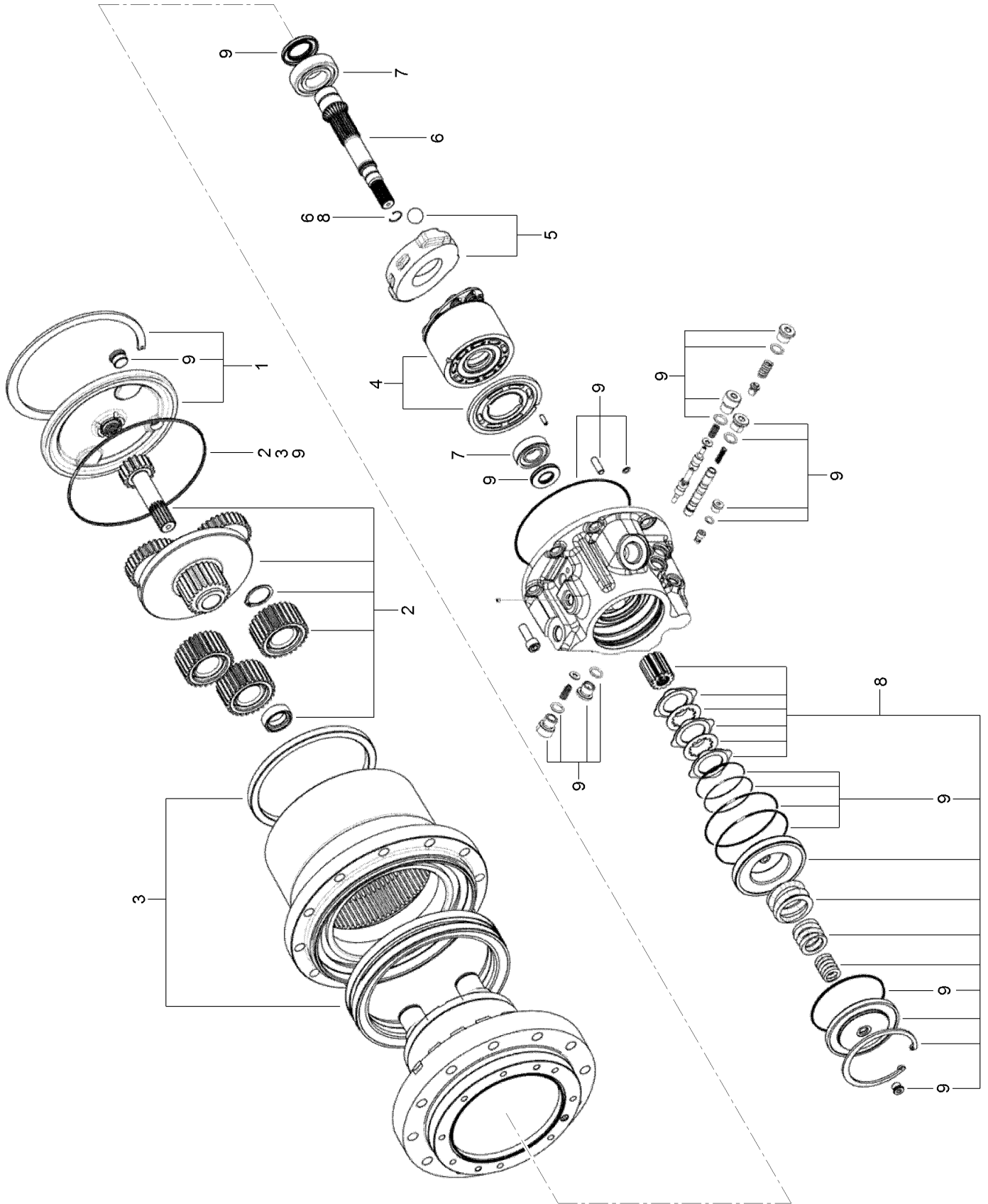




## LH Track Assembly (continued)

| <i>Ref.</i> | <i>Part Number</i> | <i>Qty.</i> | <i>Description</i> | <i>Ref.</i> | <i>Part Number</i> | <i>Qty.</i> | <i>Description</i>       |
|-------------|--------------------|-------------|--------------------|-------------|--------------------|-------------|--------------------------|
| 1           | 137-0354           | 1           | Track              | 12          | 136-4832           | 1           | Nut-Hex                  |
| 2           | 137-0505           | 2           | Front Wheel ASM    | 13          | 138-4699           | 8           | Screw-HHF                |
| 3           | 138-2350           | 1           | LH Track Mount ASM | 15          | 137-0543           | 1           | Spring Catch ASM         |
| 4           | 136-4751           | 1           | Drive-Track        | 16          | 138-4669           | 1           | Screw-Tensioner          |
| 5           | 114-3041           | 24          | Screw-HSH          | 17          | 136-4834           | 1           | Spring-Compression       |
| 6           | 133-0287           | 2           | Washer-Wheel       | 18          | 139-4839           | 1           | Bolt-TAP                 |
| 7           | 136-4833           | 3           | Sprocket-Drive     | 19          | 32151-77           | 1           | Ring-Retaining, External |
| 8           | 137-0485           | 4           | Road Wheel ASM     | 20          | 115-0722           | 1           | Washer-Plain             |
| 10          | 138-2261           | 1           | Tensioner ASM      | 21          | 125-6694           | 2           | Decal-Tie Down           |
| 11          | 136-4831           | 2           | Bolt-HH            |             |                    |             |                          |

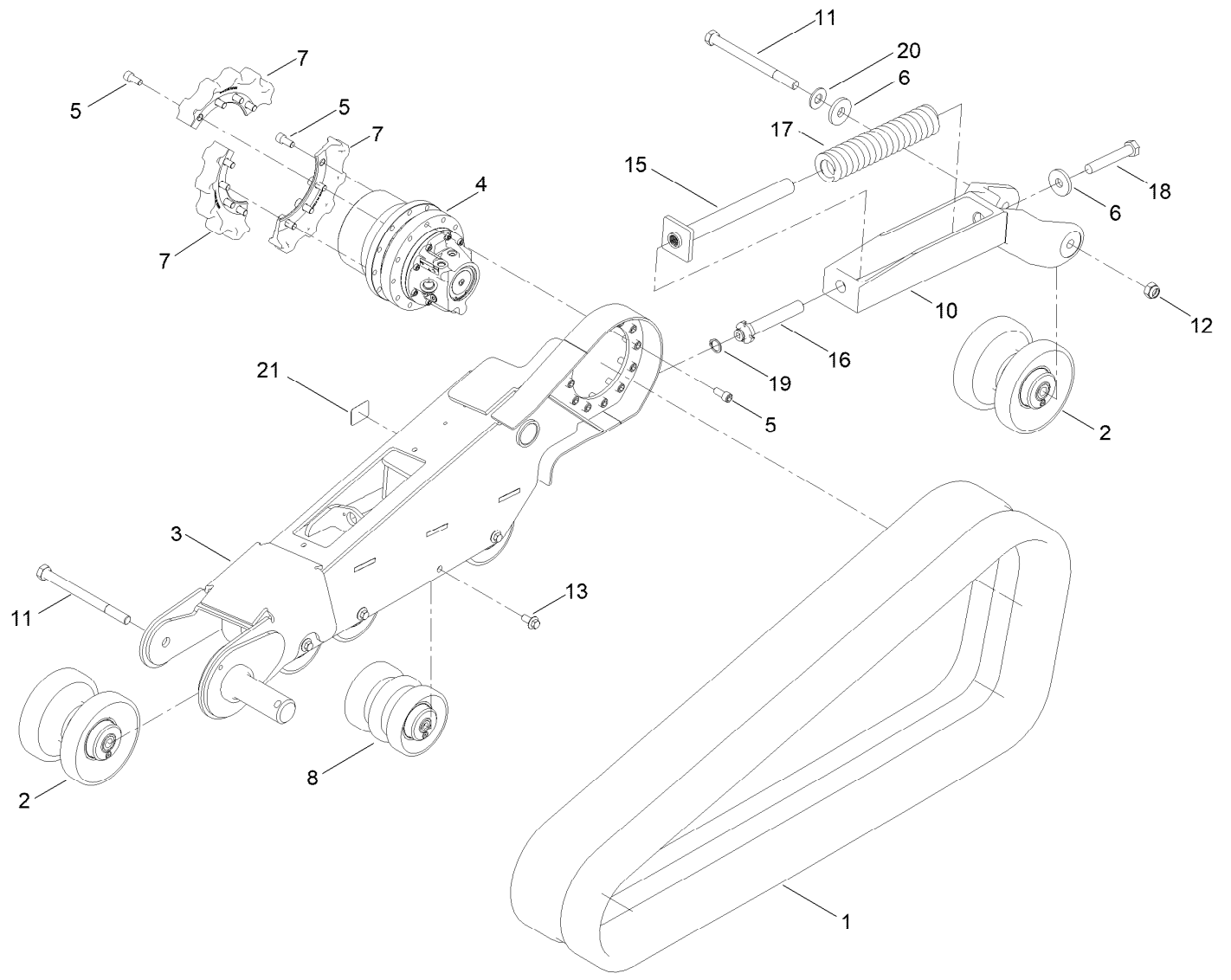
# Track Drive Assembly No. 136-4751



## Track Drive Assembly No. 136-4751 (continued)

| <i>Ref.</i> | <i>Part Number</i> | <i>Qty.</i> | <i>Description</i> | <i>Ref.</i> | <i>Part Number</i> | <i>Qty.</i> | <i>Description</i> |
|-------------|--------------------|-------------|--------------------|-------------|--------------------|-------------|--------------------|
| 1           | 139-4861           | 1           | Cover ASM          | 6           | 139-4866           | 1           | Motor Shaft ASM    |
| 2           | 139-4862           | 1           | Reduction ASM      | 7           | 139-4867           | 1           | Bearings Kit       |
| 3           | 139-4863           | 1           | Seal Kit           | 8           | 139-4868           | 1           | Parking Brake Kit  |
| 4           | 139-4864           | 1           | Cylinder Block ASM | 9           | 139-4869           | 1           | Seal Kit           |
| 5           | 139-4865           | 1           | Swashplate Kit     |             |                    |             |                    |

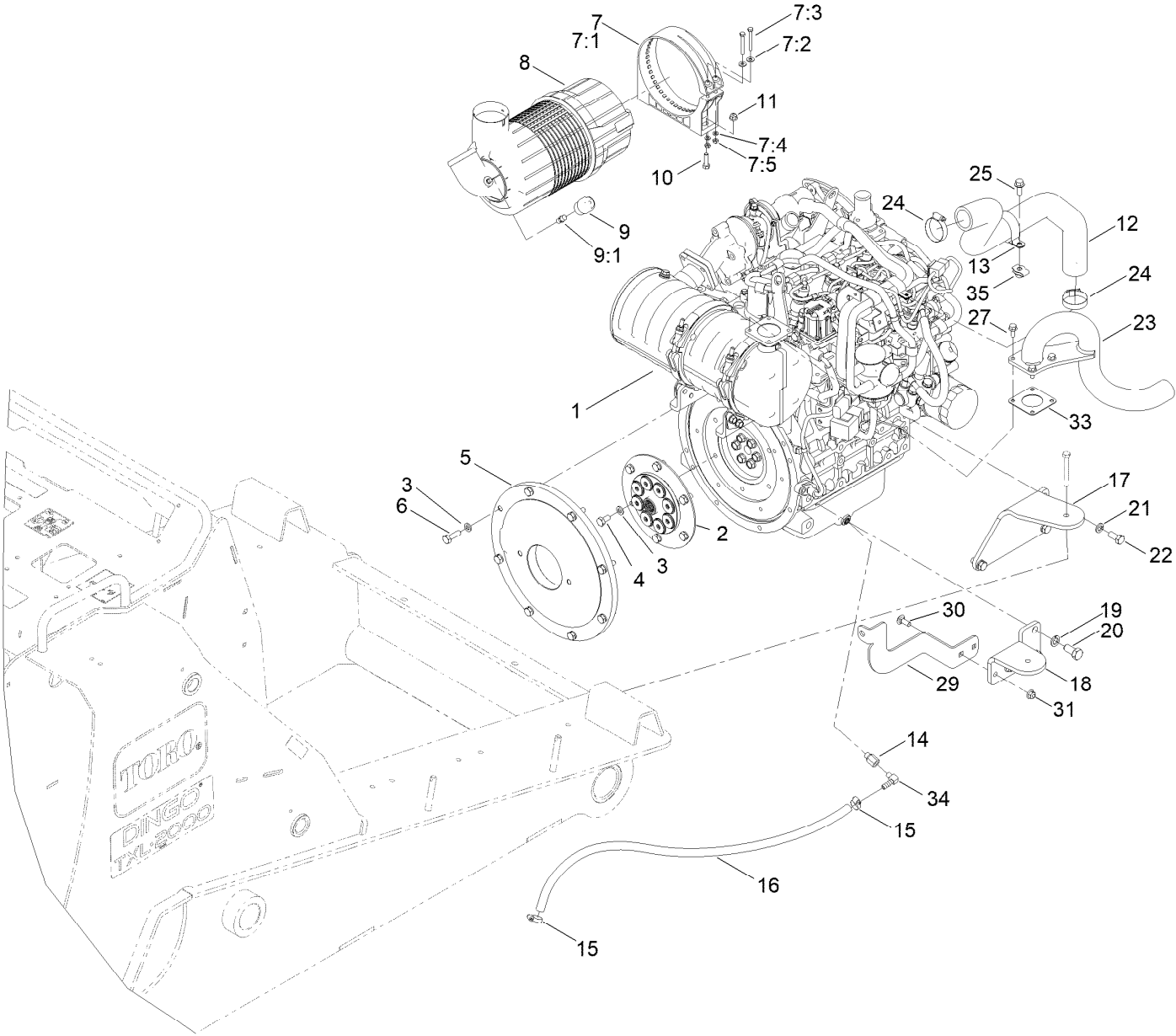
# RH Track Assembly No. 136-4871



## RH Track Assembly No. 136-4871 (continued)

| <i>Ref.</i> | <i>Part Number</i> | <i>Qty.</i> | <i>Description</i> | <i>Ref.</i> | <i>Part Number</i> | <i>Qty.</i> | <i>Description</i>       |
|-------------|--------------------|-------------|--------------------|-------------|--------------------|-------------|--------------------------|
| 1           | 137-0354           | 1           | Track              | 12          | 136-4832           | 1           | Nut-Hex                  |
| 2           | 137-0505           | 2           | Front Wheel ASM    | 13          | 138-4699           | 8           | Screw-HHF                |
| 3           | 138-2390           | 1           | RH Track Frame ASM | 15          | 137-0543           | 1           | Spring Catch ASM         |
| 4           | 136-4751           | 1           | Drive-Track        | 16          | 138-4669           | 1           | Screw-Tensioner          |
| 5           | 114-3041           | 24          | Screw-HSH          | 17          | 136-4834           | 1           | Spring-Compression       |
| 6           | 133-0287           | 2           | Washer-Wheel       | 18          | 139-4839           | 1           | Bolt-TAP                 |
| 7           | 136-4833           | 3           | Sprocket-Drive     | 19          | 32151-77           | 1           | Ring-Retaining, External |
| 8           | 137-0485           | 4           | Road Wheel ASM     | 20          | 115-0722           | 1           | Washer-Plain             |
| 10          | 138-2261           | 1           | Tensioner ASM      | 21          | 125-6694           | 2           | Decal-Tie Down           |
| 11          | 136-4831           | 2           | Bolt-HH            |             |                    |             |                          |

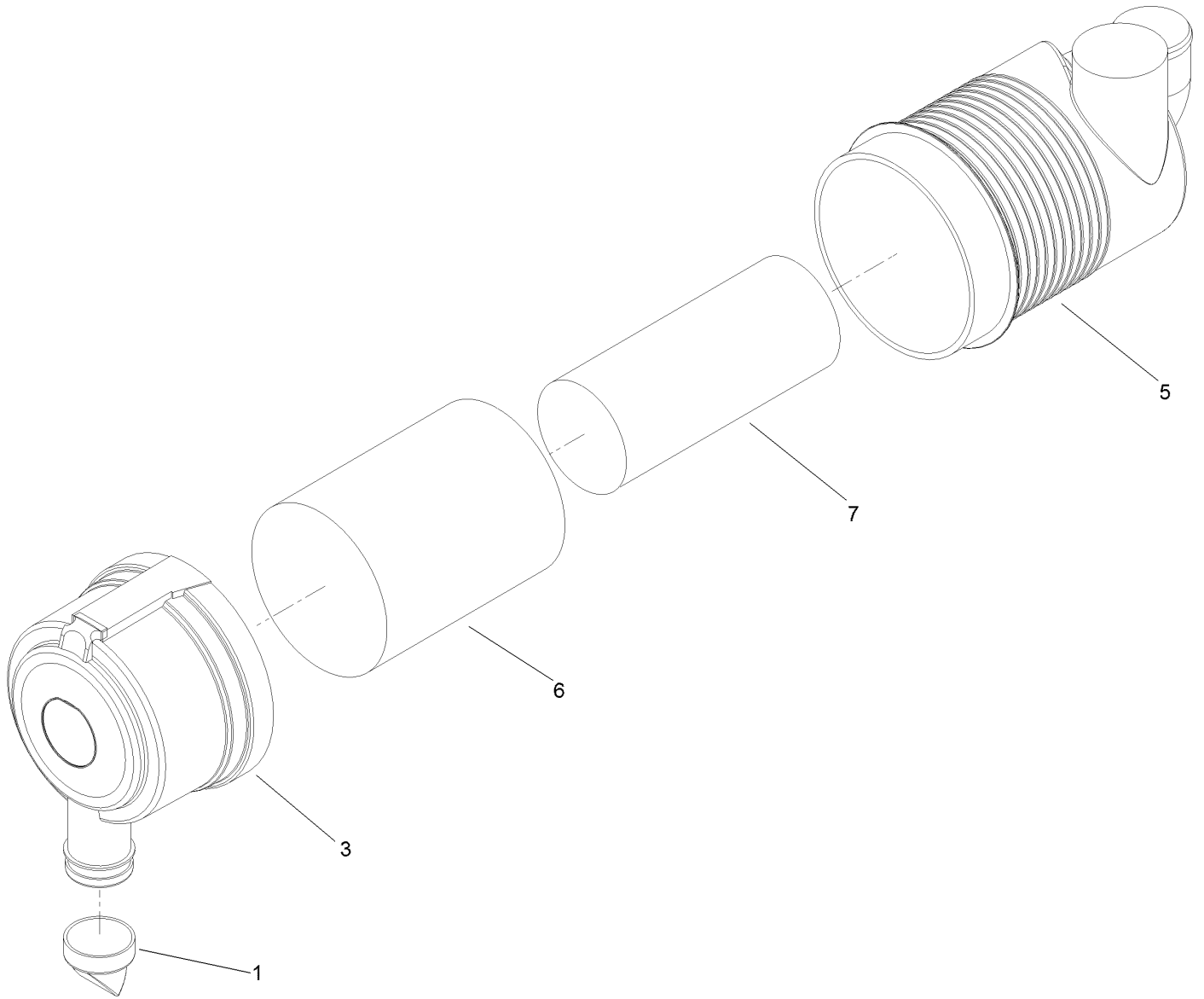
# Engine and Air Cleaner Assembly



## Engine and Air Cleaner Assembly (continued)

| <i>Ref.</i> | <i>Part Number</i> | <i>Qty.</i> | <i>Description</i>       | <i>Ref.</i> | <i>Part Number</i> | <i>Qty.</i> | <i>Description</i>  |
|-------------|--------------------|-------------|--------------------------|-------------|--------------------|-------------|---------------------|
| 1           | 136-4779           | 1           | Engine-Kubota            | 14          | 136-4867           | 1           | Adapter-Drain       |
| 2           | 138-4700           | 1           | Coupler-Spring, Flywheel | 15          | 2412-36            | 2           | Clamp-Hose          |
| 3           | 107-1413           | 14          | Washer-Hardened          | 16          | 133-1621           | 1           | Hose-Drain          |
| 4           | 99-5130            | 6           | Screw-HH                 | 17          | 133-6962-03        | 1           | Mount-Engine        |
| 5           | 132-6120-0P        | 1           | Plate-Flywheel           | 18          | 133-6964-03        | 1           | Mount-Engine        |
| 6           | 117-5663           | 8           | Screw-HH                 | 19          | 43-5950            | 2           | Washer-Lock, Spring |
| 7           | 99-5414            | 1           | Strap-Cleaner, Air       | 20          | 43-3210            | 2           | Screw-HH            |
| 7:1         | 108-1512           | 2           | Spring                   | 21          | 48-8070            | 3           | Washer-Lock         |
| 7:2         | 3256-22            | 2           | Washer-Flat              | 22          | AU514-842          | 3           | Screw-HH            |
| 7:3         | 33113-050          | 2           | Screw-HH                 | 23          | 133-6973           | 1           | Pipe-Exhaust        |
| 7:4         | 33093-00           | 2           | Washer-Flat              | 24          | 2412-3             | 2           | Clamp-Hose          |
| 7:5         | 33023-00           | 2           | Nut-Lock                 | 25          | 3234-11            | 1           | Screw-HHF           |
| 8           | 99-5410            | 1           | Air Cleaner ASM          | 27          | 33104-020          | 4           | Screw-HHF           |
| 9           | 104-3563           | 1           | Indicator                | 29          | 138-2331-03        | 1           | Bracket-Pump, RH    |
| 9:1         | 94-1416            | 1           | Adapter-Indicator        | 30          | 3231-2             | 2           | Bolt-CARR           |
| 10          | 322-16             | 2           | Screw-HH                 | 31          | 104-8301           | 2           | Nut-HF, NI          |
| 11          | 104-8300           | 2           | Nut-HF, NI               | 33          | 100-9333           | 1           | Gasket-Muffler      |
| 12          | 139-1172           | 1           | Hose-Air, Cooler         | 34          | 99-7230            | 1           | Fitting-90 DEG      |
| 13          | 115-9469           | 1           | Clamp-R                  | 35          | 105-4886           | 1           | Nut-Tinnerman       |

# Air Cleaner Assembly No. 99-5410



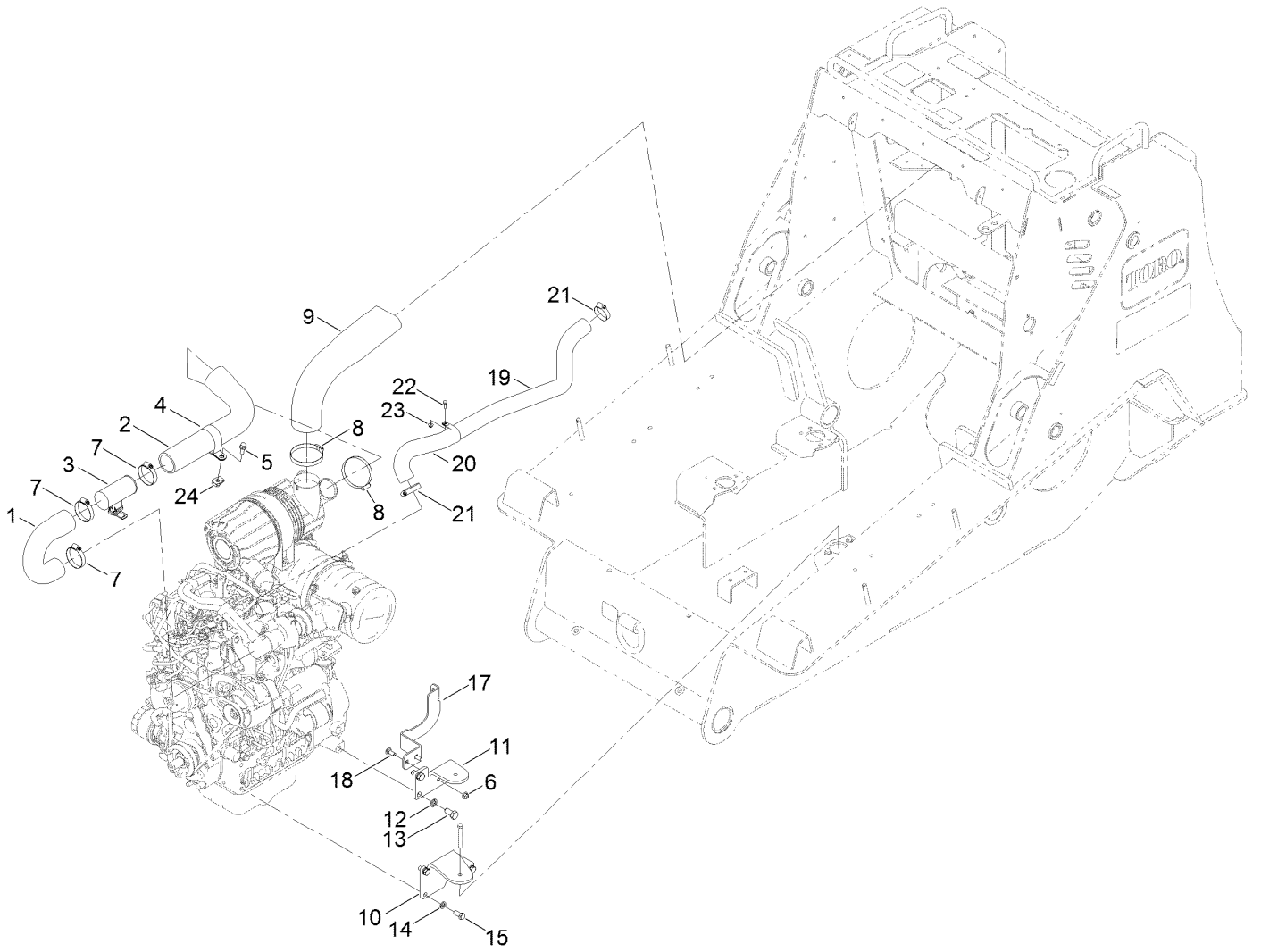


## Air Cleaner Assembly No. 99-5410 (continued)

| <i>Ref.</i> | <i>Part Number</i> | <i>Qty.</i> | <i>Description</i> | <i>Ref.</i> | <i>Part Number</i> | <i>Qty.</i> | <i>Description</i> |
|-------------|--------------------|-------------|--------------------|-------------|--------------------|-------------|--------------------|
| 1           | 104-4258           | 1           | Valve-Vacuator     | 6           | 108-3814           | 1           | Filter-Air         |
| 3           | 104-4259           | 1           | Cover              | 7           | 108-3816           | 1           | Filter-Air         |
| 5           |                    | 1           | Body ASM ●         |             |                    |             |                    |

● Not serviced separately

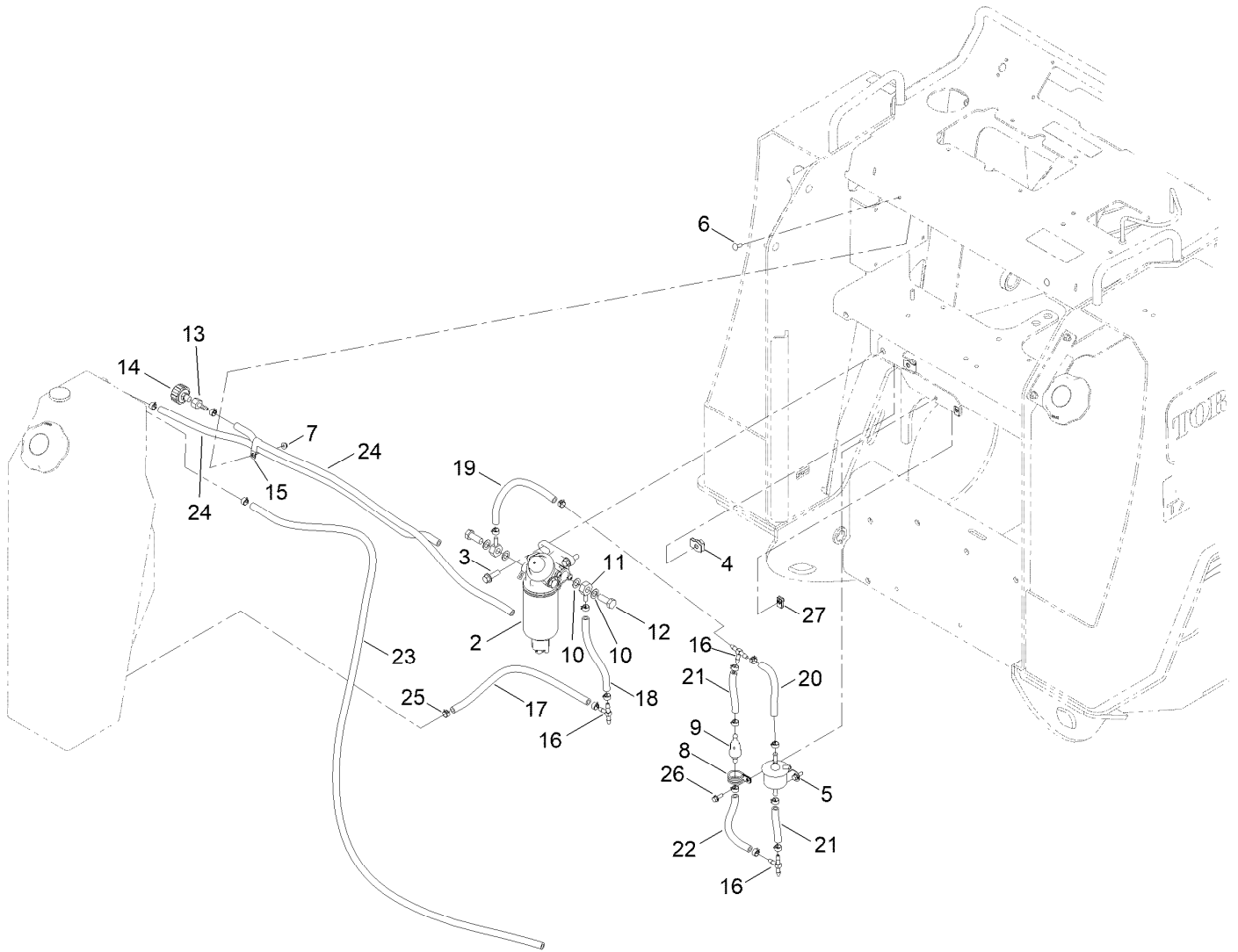
# Engine Mount and Air Intake Hose Assembly



## Engine Mount and Air Intake Hose Assembly (continued)

| <i>Ref.</i> | <i>Part Number</i> | <i>Qty.</i> | <i>Description</i>  | <i>Ref.</i> | <i>Part Number</i> | <i>Qty.</i> | <i>Description</i> |
|-------------|--------------------|-------------|---------------------|-------------|--------------------|-------------|--------------------|
| 1           | 133-1622           | 1           | Hose-Intake         | 13          | 43-3210            | 2           | Screw-HH           |
| 2           | 137-0050           | 1           | Hose-Intake, Air    | 14          | 48-8070            | 3           | Washer-Lock        |
| 3           | 136-4741           | 1           | Sensor              | 15          | AU514-842          | 3           | Screw-HH           |
| 4           | 2412-102           | 1           | Clamp-R             | 17          | 138-2332-03        | 1           | Bracket-Pump, LH   |
| 5           | 3234-11            | 1           | Screw-HHF           | 18          | 3231-2             | 2           | Bolt-CARR          |
| 6           | 104-8301           | 2           | Nut-HF, NI          | 19          | 137-0140           | 1           | Hose-Air, Cooler   |
| 7           | 2412-42            | 3           | Clamp-Hose          | 20          | 2412-148           | 1           | Clamp-R            |
| 8           | 2412-110           | 2           | Clamp-Band/Screw    | 21          | 2412-3             | 2           | Clamp-Hose         |
| 9           | 133-1689           | 1           | Hose-Intake         | 22          | 321-4              | 1           | Screw-HH           |
| 10          | 133-6967-03        | 1           | Mount-Engine        | 23          | 104-7201           | 1           | Nut-HF, NI         |
| 11          | 133-6968-03        | 1           | Mount-Engine        | 24          | 105-4886           | 1           | Nut-Tinnerman      |
| 12          | 43-5950            | 2           | Washer-Lock, Spring |             |                    |             |                    |

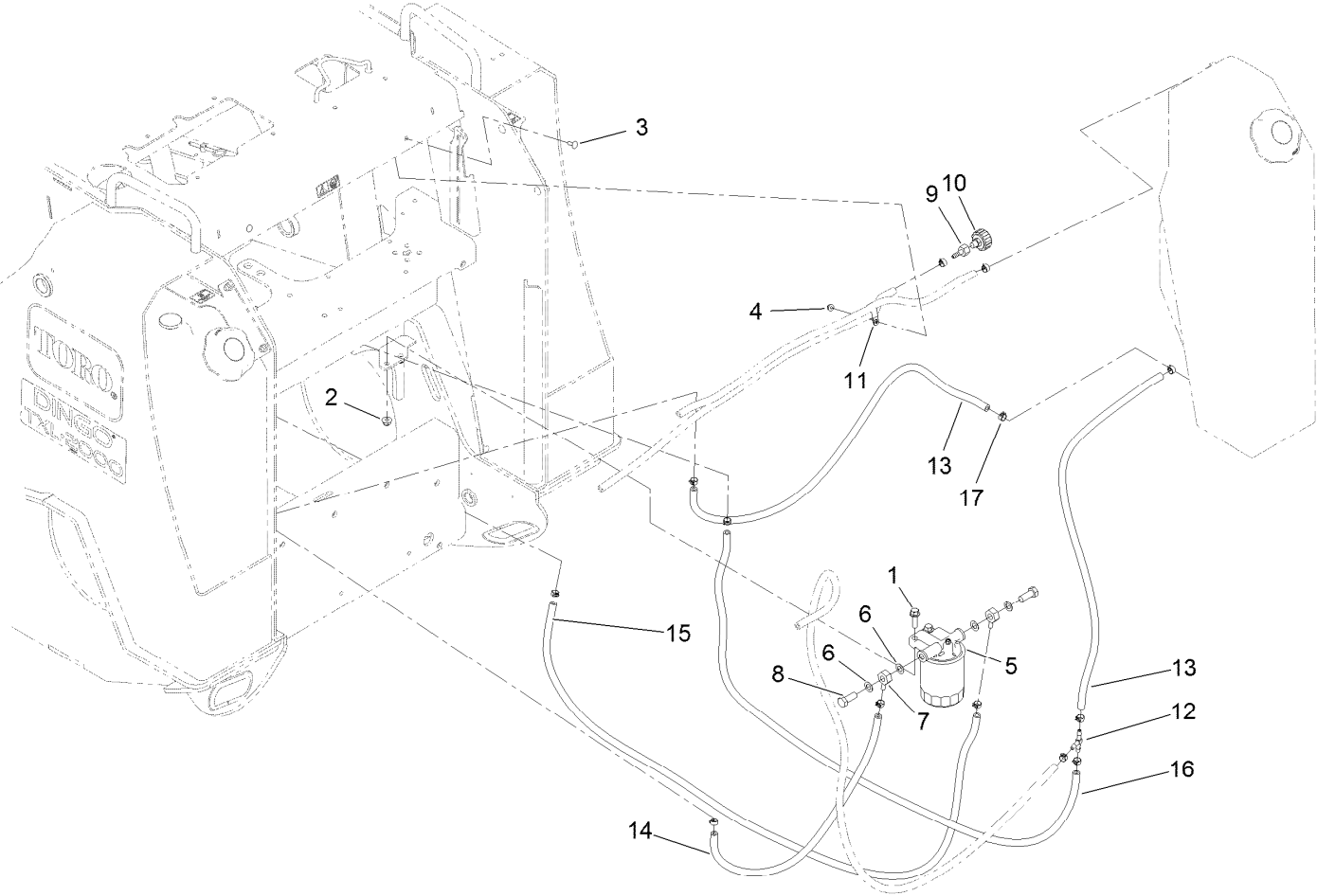
# Fuel Pump and Water Seperator Assembly



## Fuel Pump and Water Seperator Assembly (continued)

| <i>Ref.</i> | <i>Part Number</i> | <i>Qty.</i> | <i>Description</i>      | <i>Ref.</i> | <i>Part Number</i> | <i>Qty.</i> | <i>Description</i>   |
|-------------|--------------------|-------------|-------------------------|-------------|--------------------|-------------|----------------------|
| 2           | 136-4734           | 1           | Filter-Seperator, Water | 15          | 119-8153           | 1           | Clamp-R, Double Tube |
| 3           | 3234-24            | 2           | Screw-HHF               | 16          | 99-5005            | 3           | Fitting-Tee, Barbed  |
| 4           | 105-4886           | 2           | Nut-Tinnerman           | 17          | 110-4113           | 1           | Hose-Fuel            |
| 5           | 139-9642           | 1           | Assy Pump,Fuel          | 18          | 110-4124           | 1           | Hose-Fuel            |
| 6           | 3229-1             | 1           | Screw-CARR              | 19          | 136-6098           | 1           | Hose-Fuel            |
| 7           | 104-7201           | 1           | Nut-HF, NI              | 20          | 109-0310           | 1           | Hose-Fuel            |
| 8           | 132-7590           | 1           | R-Clamp                 | 21          | 136-6097           | 2           | Hose-Fuel            |
| 9           | 136-4735           | 1           | Valve-Bypass            | 22          | 108-3280           | 1           | Hose-Fuel            |
| 10          | 137-0067           | 4           | O-Ring                  | 23          | 138-4715           | 1           | Hose-Fuel            |
| 11          | 137-0065           | 2           | Adapter-Fuel            | 24          | 136-6096           | 2           | Hose-Fuel            |
| 12          | 137-0066           | 2           | Bolt-Joint              | 25          | 92-2379            | 20          | Clamp-Hose           |
| 13          | 354-95             | 1           | Fitting-Straight        | 26          | 3234-4             | 2           | Screw-HHF            |
| 14          | 68-6150            | 1           | Breather                | 27          | 107069             | 2           | Clip                 |

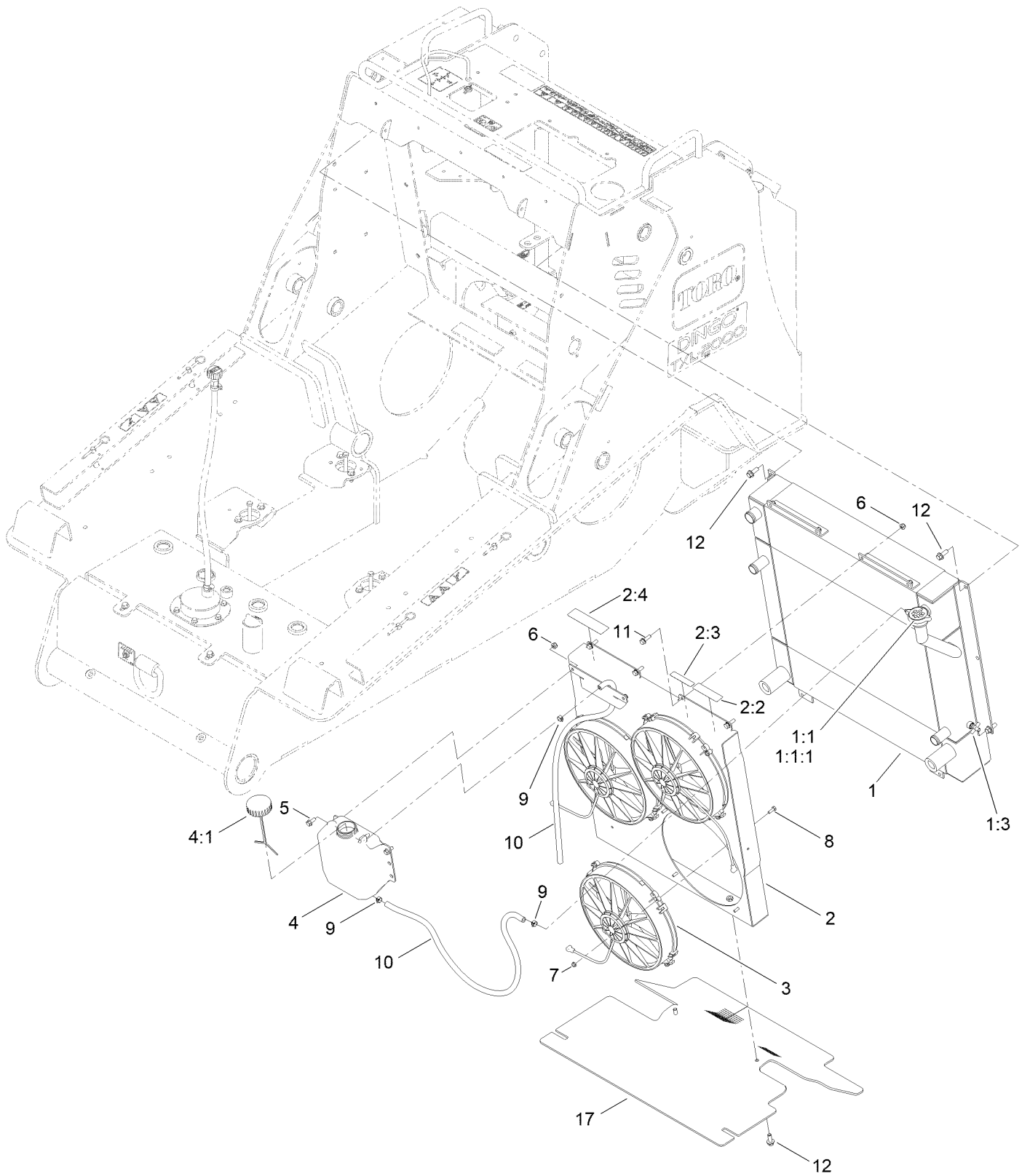
# Fuel Filter and Hose Assembly



## Fuel Filter and Hose Assembly (continued)

| <i>Ref.</i> | <i>Part Number</i> | <i>Qty.</i> | <i>Description</i> | <i>Ref.</i> | <i>Part Number</i> | <i>Qty.</i> | <i>Description</i>   |
|-------------|--------------------|-------------|--------------------|-------------|--------------------|-------------|----------------------|
| 1           | 3234-24            | 2           | Screw-HHF          | 10          | 68-6150            | 1           | Breather             |
| 2           | 104-8301           | 2           | Nut-HF, NI         | 11          | 119-8153           | 1           | Clamp-R, Double Tube |
| 3           | 3229-1             | 1           | Screw-CARR         | 12          | 99-5005            | 1           | Fitting-Tee, Barbed  |
| 4           | 104-7201           | 1           | Nut-HF, NI         | 13          | 136-6099           | 2           | Hose-Fuel            |
| 5           | 136-4733           | 1           | Filter-Fuel        | 14          | 114-8206           | 1           | Hose-Fuel            |
| 6           | 137-0067           | 4           | O-Ring             | 15          | 132-1330           | 1           | Hose-Fuel            |
| 7           | 137-0065           | 2           | Adapter-Fuel       | 16          | 138-4714           | 1           | Hose-Fuel            |
| 8           | 137-0066           | 2           | Bolt-Joint         | 17          | 92-2379            | 10          | Clamp-Hose           |
| 9           | 354-95             | 1           | Fitting-Straight   |             |                    |             |                      |

# Radiator and Fan Assembly

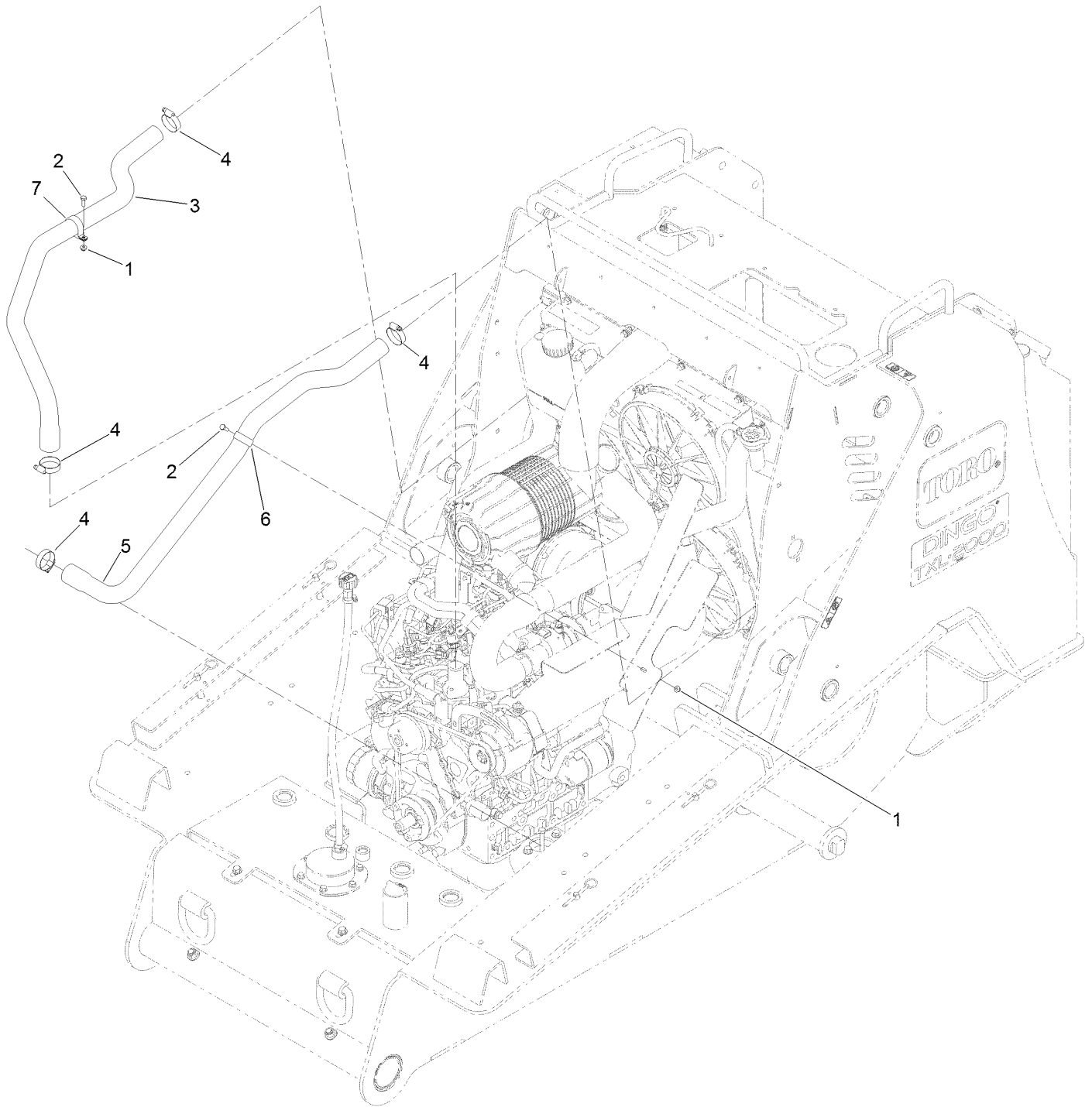




## Radiator and Fan Assembly (continued)

| <i>Ref.</i> | <i>Part Number</i> | <i>Qty.</i> | <i>Description</i>    | <i>Ref.</i> | <i>Part Number</i> | <i>Qty.</i> | <i>Description</i> |
|-------------|--------------------|-------------|-----------------------|-------------|--------------------|-------------|--------------------|
| 1           | 136-4705           | 1           | Radiator/Cooler ASM   | 4:1         | 87-7050            | 1           | Cap-Reservoir      |
| 1:1         | 115-7766           | 1           | Cap-Radiator          | 5           | 3234-47            | 2           | Screw-HHF          |
| 1:1:1       | 106-6755           | 1           | Decal-Cap, Radiator   | 6           | 104-8300           | 8           | Nut-HF, NI         |
| 1:3         | 304-46             | 2           | Draincock             | 7           | 104-7201           | 12          | Nut-HF, NI         |
| 2           | 138-4727           | 1           | Cooler Shroud ASM     | 8           | 321-4              | 12          | Screw-HH           |
| 2:2         | 115-4865           | 1           | Decal-Fill, Radiator  | 9           | 92-2379            | 3           | Clamp-Hose         |
| 2:3         | 93-6681            | 1           | Decal-Warning, Fan    | 10          | 136-6096           | 2           | Hose-Fuel          |
| 2:4         | 93-7814            | 1           | Decal-Danger          | 11          | 3234-29            | 6           | Screw-HHF          |
| 3           | 1-633831           | 3           | Fan                   | 12          | 3234-42            | 6           | Screw-HHF          |
| 4           | 144-6219           | 1           | Reservoir-Coolant ASM | 17          | 139-5713           | 1           | Baffle-Rubber      |

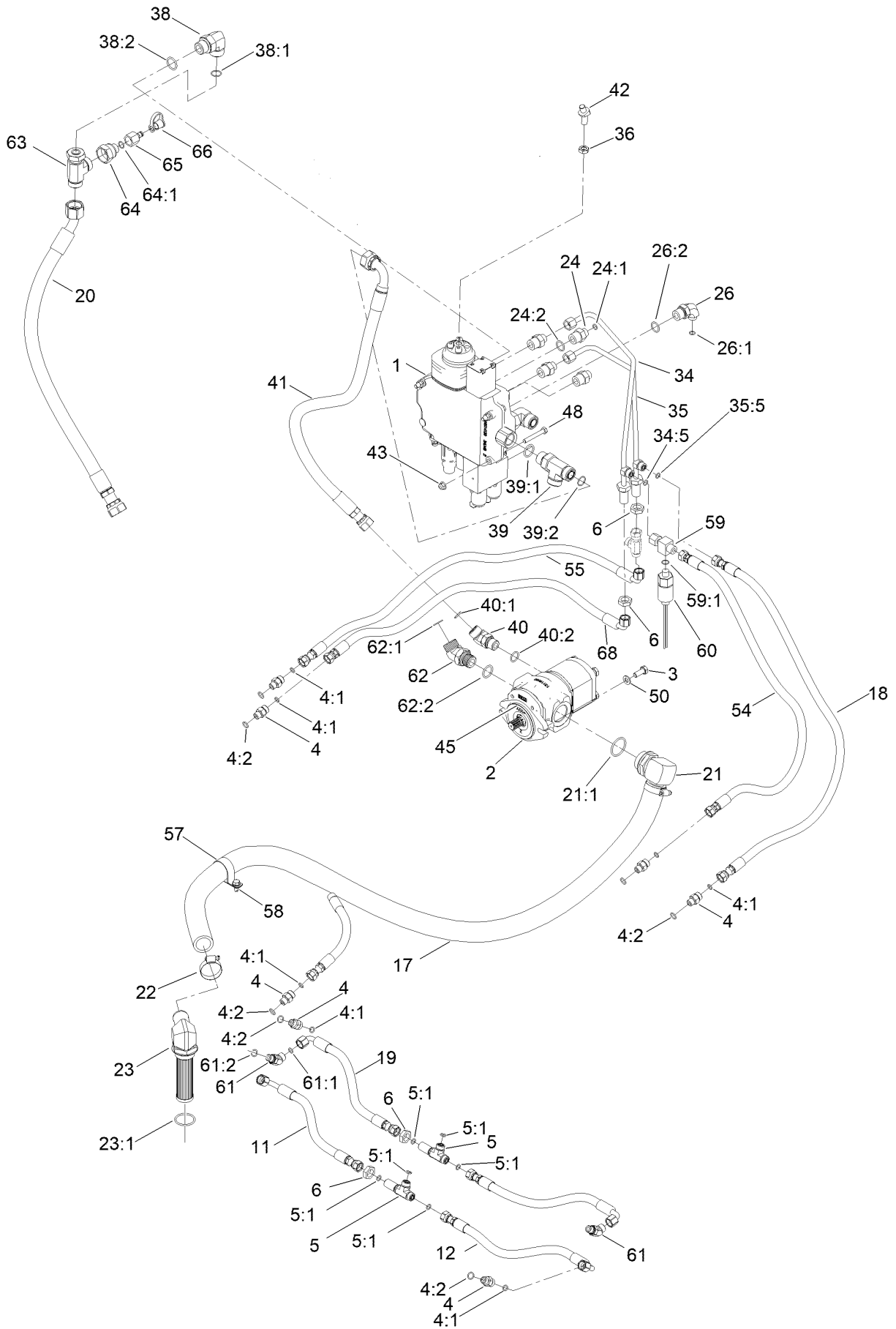
# Radiator Hose Assembly



## Radiator Hose Assembly (continued)

| <i>Ref.</i> | <i>Part Number</i> | <i>Qty.</i> | <i>Description</i>   | <i>Ref.</i> | <i>Part Number</i> | <i>Qty.</i> | <i>Description</i>   |
|-------------|--------------------|-------------|----------------------|-------------|--------------------|-------------|----------------------|
| 1           | 104-7201           | 1           | Nut-HF, NI           | 5           | 138-4744           | 1           | Hose-Radiator, Lower |
| 2           | 3234-4             | 1           | Screw-HHF            | 6           | 137-0147           | 1           | Clamp-R              |
| 3           | 133-1691           | 1           | Hose-Radiator, Upper | 7           | 2412-147           | 1           | Clamp-R              |
| 4           | 2412-3             | 4           | Clamp-Hose           |             |                    |             |                      |

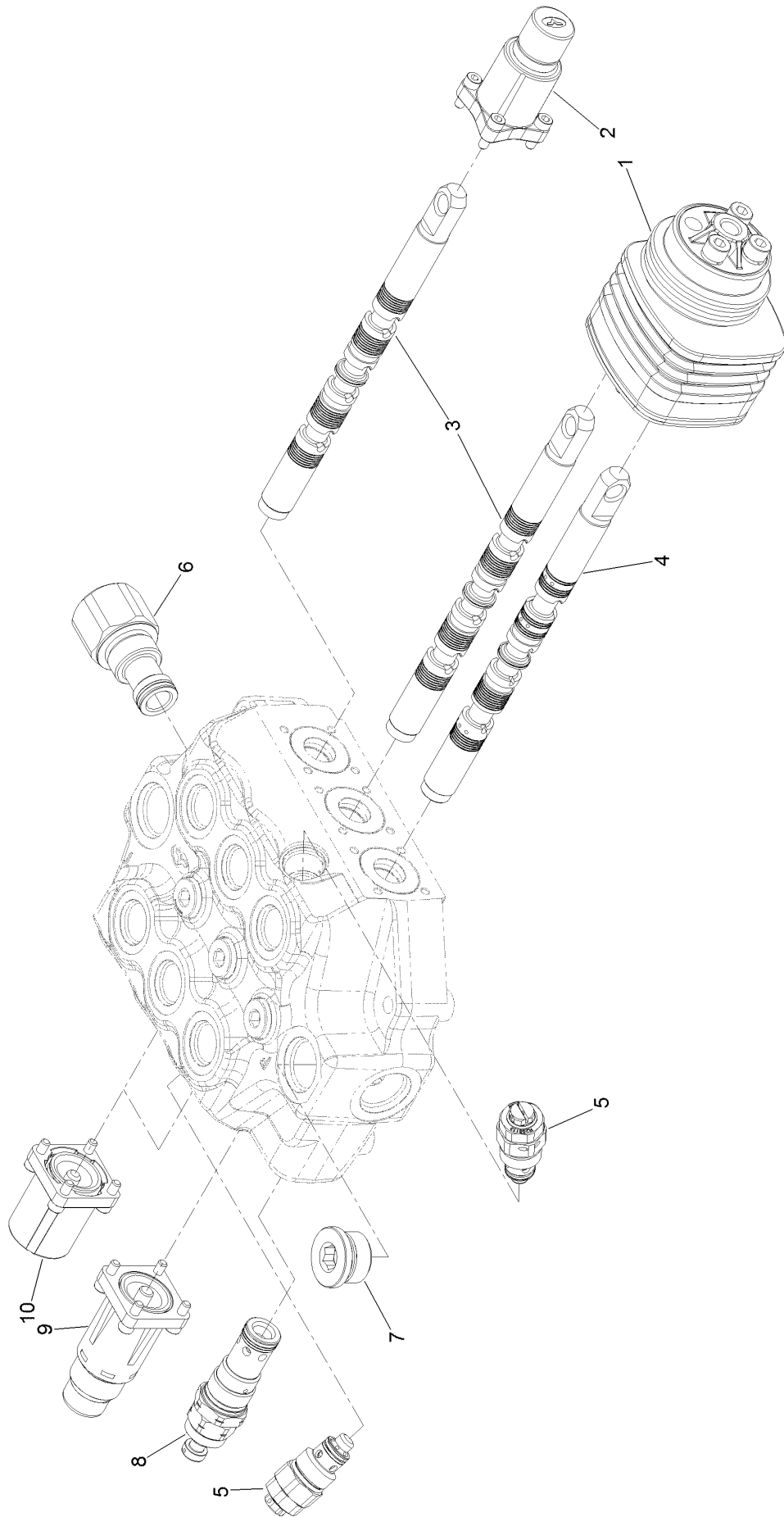
# Lift Valve and Pump Assembly



## Lift Valve and Pump Assembly (continued)

| <i>Ref.</i> | <i>Part Number</i> | <i>Qty.</i> | <i>Description</i>    | <i>Ref.</i> | <i>Part Number</i> | <i>Qty.</i> | <i>Description</i>    |
|-------------|--------------------|-------------|-----------------------|-------------|--------------------|-------------|-----------------------|
| 1           | 136-4783           | 1           | Lift Valve ASM        | 38:2        | 237-81             | 1           | O-Ring                |
| 2           | 133-0281           | 1           | Gear Pump ASM         | 39          | 340-148            | 1           | Fitting-Tee           |
| 3           | 33115-025          | 2           | Screw-HH              | 39:1        | 237-81             | 1           | O-Ring                |
| 4           | 340-2              | 6           | Fitting-Straight      | 39:2        | 237-58             | 2           | O-Ring                |
| 4:1         | 237-22             | 1           | O-Ring                | 40          | 340-14             | 1           | Fitting-HYD, 45 DEG   |
| 4:2         | 237-42             | 1           | O-Ring                | 40:1        | 237-65             | 1           | O-Ring                |
| 5           | 340-68             | 2           | Fitting-Tee, Bulkhead | 40:2        | 237-80             | 1           | O-Ring                |
| 5:1         | 237-22             | 3           | O-Ring                | 41          | 138-0233           | 1           | HYD Hose ASM          |
| 6           | 340-70             | 4           | Nut-Lock              | 42          | 138-2343           | 1           | Shaft-Control         |
| 11          | 139-1150           | 1           | HYD Hose ASM          | 43          | 104-8300           | 3           | Nut-HF, NI            |
| 12          | 139-1151           | 1           | HYD Hose ASM          | 45          | 237-161            | 1           | O-Ring                |
| 17          | 133-9377           | 1           | Hose                  | 48          | 322-11             | 3           | Screw-HH              |
| 18          | 133-9372           | 1           | HYD Hose ASM          | 50          | 33095-00           | 2           | Washer-Flat           |
| 19          | 139-1152           | 2           | HYD Hose ASM          | 54          | 140-6003           | 1           | HYD Hose ASM          |
| 20          | 139-1204           | 1           | HYD Hose ASM          | 55          | 138-4701           | 1           | HYD Hose ASM          |
| 21          | 92-7526            | 1           | Fitting-HYD 90 Spcl   | 57          | 2412-147           | 1           | Clamp-R               |
| 21:1        | 237-101            | 1           | O-Ring                | 58          | 32104-32           | 1           | Screw-HWH             |
| 22          | 2412-111           | 2           | Clamp-Hose, W/Liner   | 59          | 95-5658            | 1           | Fitting-HYD, Special  |
| 23          | 145-0622           | 1           | Strainer Fitting ASM  | 59:1        | 237-22             | 1           | O-Ring                |
| 23:1        | 237-101            | 1           | O-Ring                | 60          | 136-4875           | 1           | Switch-Pressure       |
| 24          | 340-141            | 3           | Fitting-STR           | 61          | 340-87             | 2           | Fitting-Elbow, 45 DEG |
| 24:1        | 237-22             | 1           | O-Ring                | 61:1        | 237-22             | 1           | O-Ring                |
| 24:2        | 237-80             | 1           | O-Ring                | 61:2        | 237-42             | 1           | O-Ring                |
| 26          | 340-130            | 1           | Fitting-Elbow 90      | 62          | 100-5530           | 1           | Fitting-45 DEG        |
| 26:1        | 237-22             | 1           | O-Ring                | 62:1        | 237-58             | 1           | O-Ring                |
| 26:2        | 237-80             | 1           | O-Ring                | 62:2        | 237-81             | 1           | O-Ring                |
| 34          | 136-6080           | 1           | HYD Tube ASM          | 63          | ST50975            | 1           | Fitting-HYD           |
| 34:5        | 237-22             | 2           | O-Ring                | 64          | 95-3513            | 1           | Fitting-Straight      |
| 35          | 136-6081           | 1           | HYD Tube ASM          | 64:1        | 237-30             | 1           | O-Ring                |
| 35:5        | 237-22             | 2           | O-Ring                | 65          | 100-5616           | 1           | Fitting               |
| 36          | 51-2070            | 1           | Nut                   | 66          | 354-79             | 1           | Cap-Dust              |
| 38          | 340-142            | 2           | Fitting-Elbow, 90 DEG | 68          | 140-6004           | 1           | HYD Hose ASM          |
| 38:1        | 237-58             | 1           | O-Ring                |             |                    |             |                       |

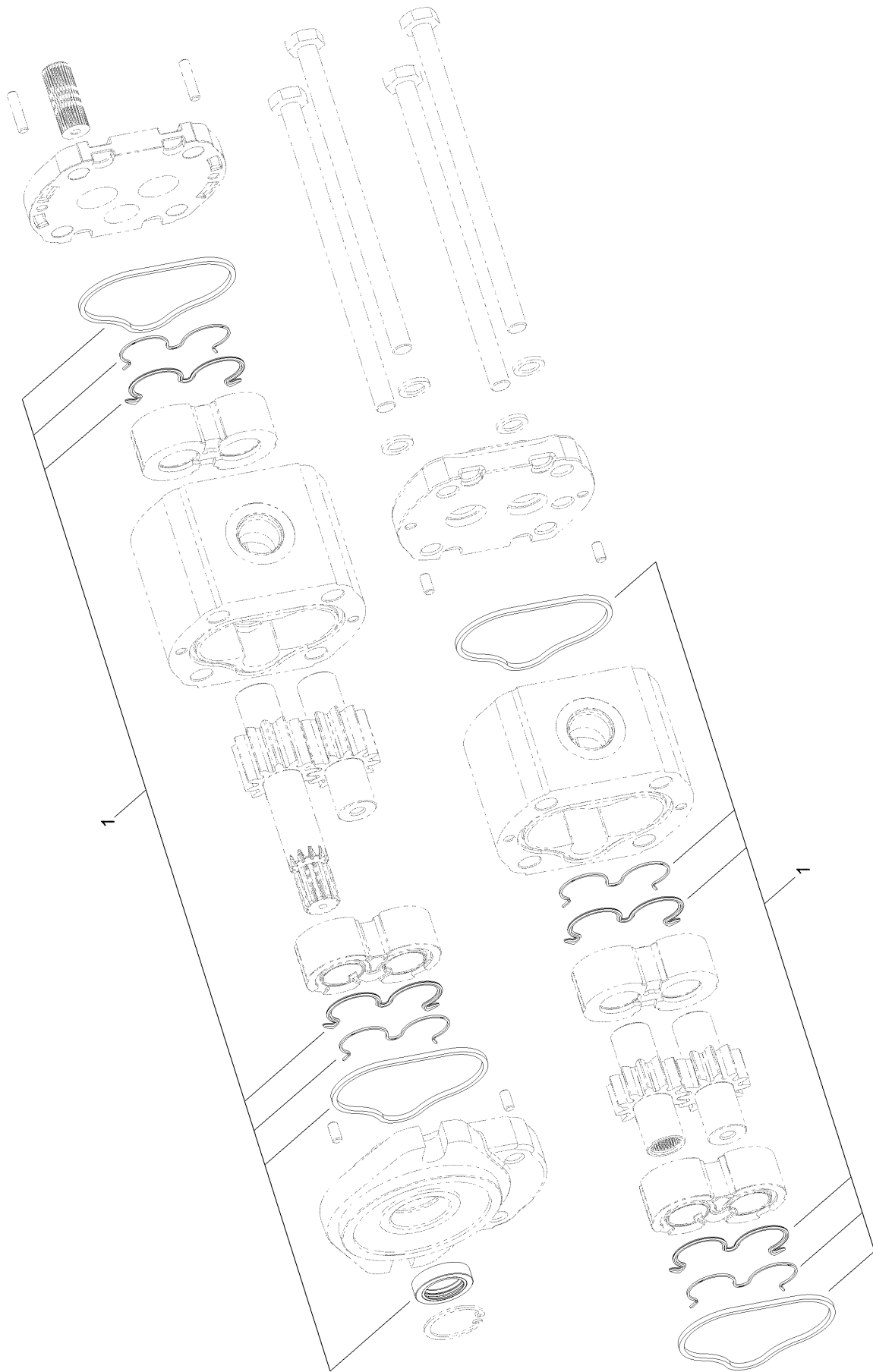
# Lift Valve Assembly No. 136-4783



## Lift Valve Assembly No. 136-4783 (continued)

| <i>Ref.</i> | <i>Part Number</i> | <i>Qty.</i> | <i>Description</i> | <i>Ref.</i> | <i>Part Number</i> | <i>Qty.</i> | <i>Description</i> |
|-------------|--------------------|-------------|--------------------|-------------|--------------------|-------------|--------------------|
| 1           | 139-1219           | 1           | Cover Kit          | 6           | 139-1224           | 1           | Joint-SAE12        |
| 2           | 139-1220           | 1           | End Cap Kit        | 7           | 139-1225           | 1           | Plug-SAE12         |
| 3           | 139-1221           | 2           | Valve-Spool        | 8           | 139-1226           | 1           | Valve Kit          |
| 4           | 139-1222           | 1           | Valve-Spool        | 9           | 139-1227           | 1           | Command Kit        |
| 5           | 139-1223           | 2           | Cartridge-Relief   | 10          | 139-1228           | 1           | Control Kit        |

# Gear Pump Assembly No. 133-0281





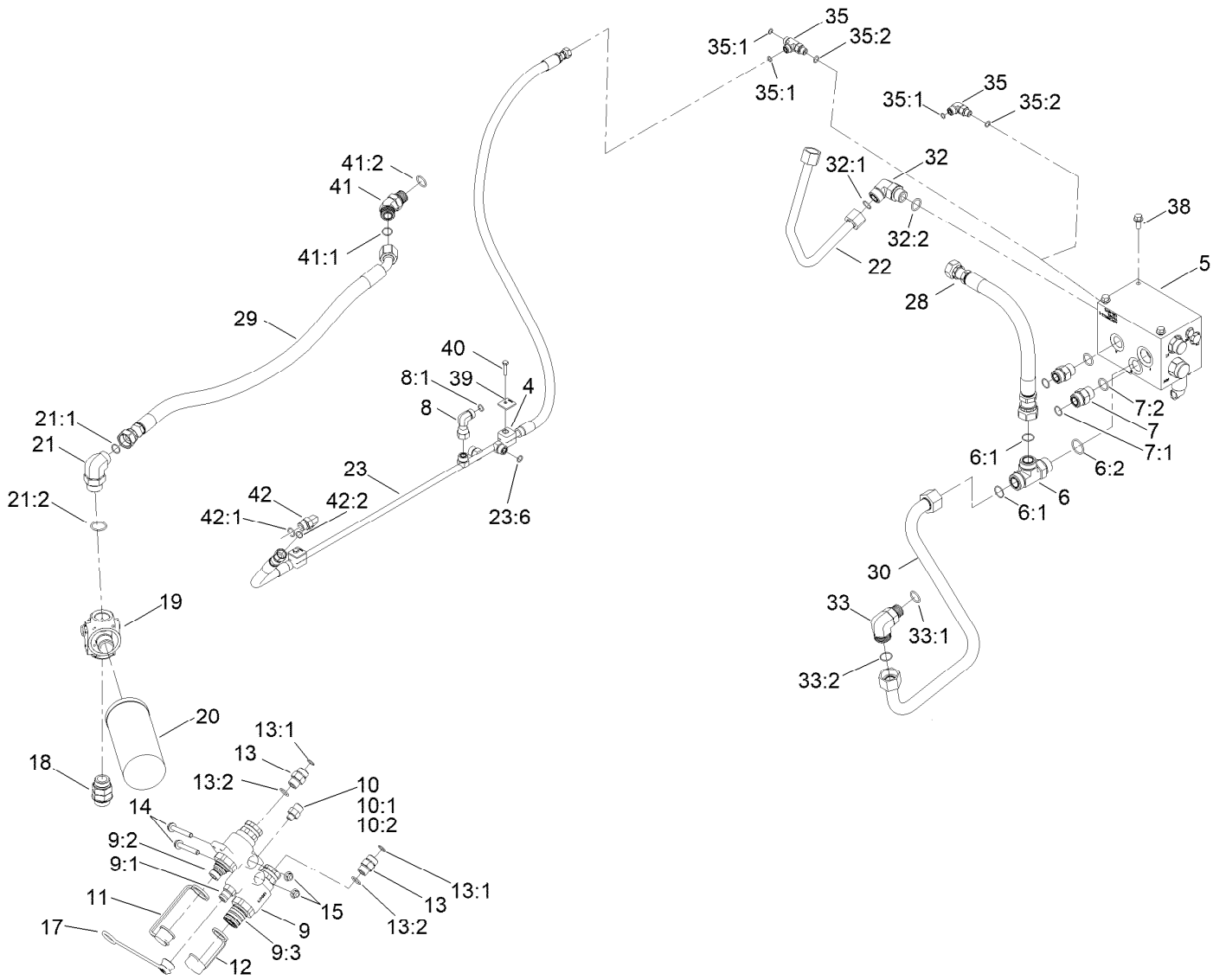
# Gear Pump Assembly No. 133-0281 (continued)

---

| <i>Ref.</i> | <i>Part Number</i> | <i>Qty.</i> | <i>Description</i> |
|-------------|--------------------|-------------|--------------------|
| 1           | 139-1211           | 1           | Seal Kit           |

---

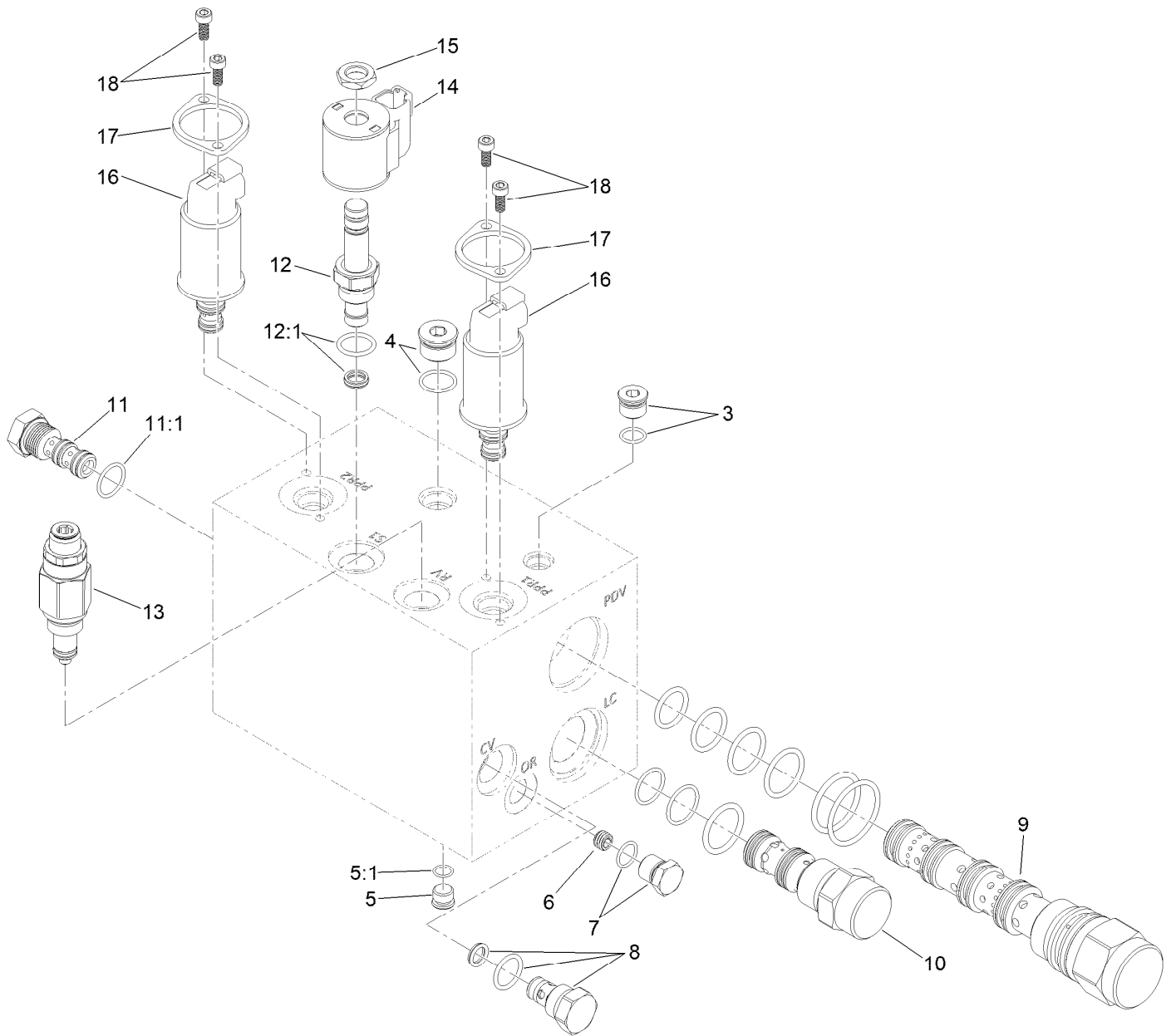
# Auxiliary Hydraulic Assembly



## Auxiliary Hydraulic Assembly (continued)

| <i>Ref.</i> | <i>Part Number</i> | <i>Qty.</i> | <i>Description</i>       | <i>Ref.</i> | <i>Part Number</i> | <i>Qty.</i> | <i>Description</i>    |
|-------------|--------------------|-------------|--------------------------|-------------|--------------------|-------------|-----------------------|
| 4           | 138-4696           | 2           | Clamp-Tube               | 21          | 340-15             | 1           | Fitting-Elbow 90      |
| 5           | 136-4872           | 1           | Aux Manifold ASM         | 21:1        | 237-58             | 1           | O-Ring                |
| 6           | 104-3795           | 1           | Fitting-Tee              | 21:2        | 237-146            | 1           | O-Ring                |
| 6:1         | 340-65             | 2           | O-Ring                   | 22          | 137-0124           | 1           | HYD Tube ASM          |
| 6:2         | 237-146            | 1           | O-Ring                   | 23          | 137-0125           | 1           | HYD Tube ASM          |
| 7           | 340-9              | 2           | Fitting-STR              | 23:6        | 237-30             | 3           | O-Ring                |
| 7:1         | 237-58             | 1           | O-Ring                   | 28          | 133-9401           | 1           | HYD Hose ASM          |
| 7:2         | 237-81             | 1           | O-Ring                   | 29          | 133-9391           | 1           | HYD Hose ASM          |
| 8           | 94-6031            | 1           | Elbow-90                 | 30          | 136-6079           | 1           | Hydraulic Tube ASM    |
| 8:1         | 237-30             | 1           | O-Ring                   | 32          | 340-142            | 1           | Fitting-Elbow, 90 DEG |
| 9           | 150-2410           | 1           | Manifold-Qdc             | 32:1        | 237-58             | 1           | O-Ring                |
| 9:1         | 150-3702           | 1           | Kit-Male Coupler, 1/2"   | 32:2        | 237-81             | 1           | O-Ring                |
| 9:2         | 150-3703           | 1           | Kit-Male Coupler, 3/8"   | 33          | 104-3796           | 1           | Fitting-Elbow 90      |
| 9:3         | 150-3704           | 1           | Kit-Female Coupler, 1/2" | 33:1        | 237-81             | 1           | O-Ring                |
| 10          | 340-5              | 1           | Fitting-Straight         | 33:2        | 340-65             | 1           | O-Ring                |
| 10:1        | 237-42             | 1           | O-Ring                   | 35          | 340-77             | 1           | Fitting-Elbow, 90 DEG |
| 10:2        | 237-30             | 1           | O-Ring                   | 35:1        | 237-22             | 1           | O-Ring                |
| 11          | 100-8815           | 1           | Cap-Dust, Nipple         | 35:2        | 237-42             | 1           | O-Ring                |
| 12          | 100-8816           | 1           | Cap-Dust, Coupler        | 38          | 3234-11            | 3           | Screw-HHF             |
| 13          | 340-7              | 2           | Fitting-Straight         | 39          | 137-0128           | 2           | Plate-Clamp, Tube     |
| 13:1        | 237-65             | 1           | O-Ring                   | 40          | 321-8              | 2           | Screw-HH              |
| 13:2        | 237-80             | 1           | O-Ring                   | 41          | 100-5530           | 1           | Fitting-45 DEG        |
| 14          | 133-9682           | 2           | Screw-Hfh                | 41:1        | 237-58             | 1           | O-Ring                |
| 15          | 104-8301           | 2           | Nut-HF, NI               | 41:2        | 237-81             | 1           | O-Ring                |
| 17          | 131-6069           | 1           | Cap-Dust, Nipple         | 42          | 340-98             | 1           | Fitting-Elbow, 90 DEG |
| 18          | 133-9400           | 1           | Fitting-Straight         | 42:1        | 237-79             | 1           | O-Ring                |
| 19          | 121-1577           | 1           | Head-Filter              | 42:2        | 237-30             | 1           | O-Ring                |
| 20          | 94-2621            | 1           | Element-Filter           |             |                    |             |                       |

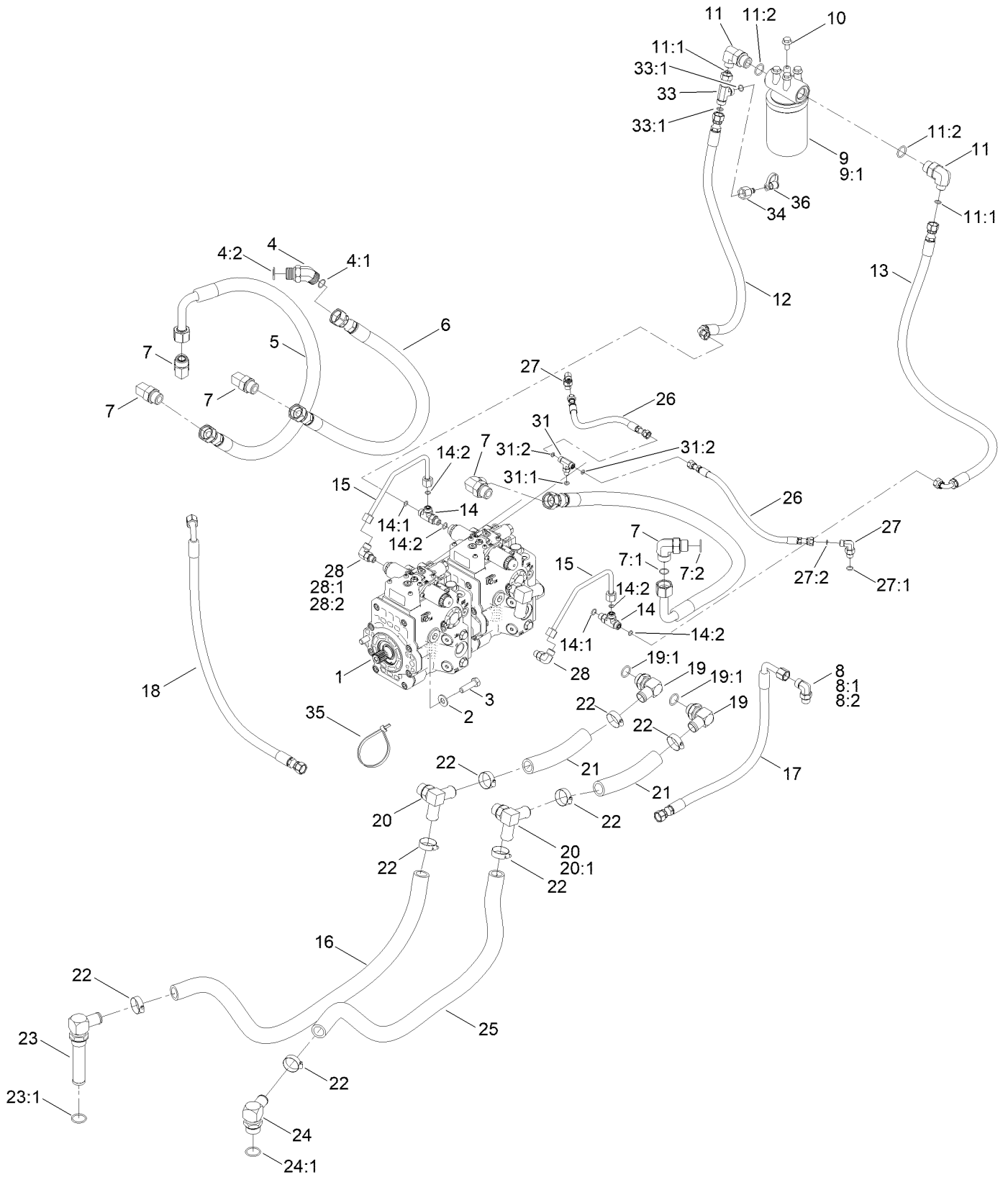
# Auxiliary Manifold Assembly No. 136-4872



## Auxiliary Manifold Assembly No. 136-4872 (continued)

| <i>Ref.</i> | <i>Part Number</i> | <i>Qty.</i> | <i>Description</i>                 | <i>Ref.</i> | <i>Part Number</i> | <i>Qty.</i> | <i>Description</i>       |
|-------------|--------------------|-------------|------------------------------------|-------------|--------------------|-------------|--------------------------|
| 3           | 112-9213           | 1           | Plug                               | 11:1        | 110-8773           | 1           | Seal Kit                 |
| 4           | 106-1027           | 1           | Plug                               | 12          | 120-6562           | 1           | Valve-Solenoid           |
| 5           | 353-990            | 1           | Plug ASM                           | 12:1        | 105-9156           | 1           | Seal Kit                 |
| 5:1         | 237-78             | 1           | O-Ring                             | 13          | 147-2453           | 1           | Valve-Relief             |
| 6           | 139-4832           | 1           | Orifice-.035                       | 14          | 112-0197           | 1           | E Coil-12V DC            |
| 7           | 353-509            | 1           | Plug                               | 15          | 110-2634           | 1           | Nut-Coil                 |
| 8           | 139-4833           | 1           | Valve-Check,                       | 16          | 139-1218           | 2           | Valve-Prop Press         |
| 9           | 139-1214           | 1           | Valve-Proportional,<br>Directional |             |                    |             | Reducing/Relieving       |
| 10          | 139-4834           | 1           | Cartridge-Logic,                   | 17          | 138-3825           | 2           | Plate-Mounting, Standard |
| 11          | 131-6506           | 1           | Shuttle-Load                       | 18          | 138-3827           | 4           | Screw                    |

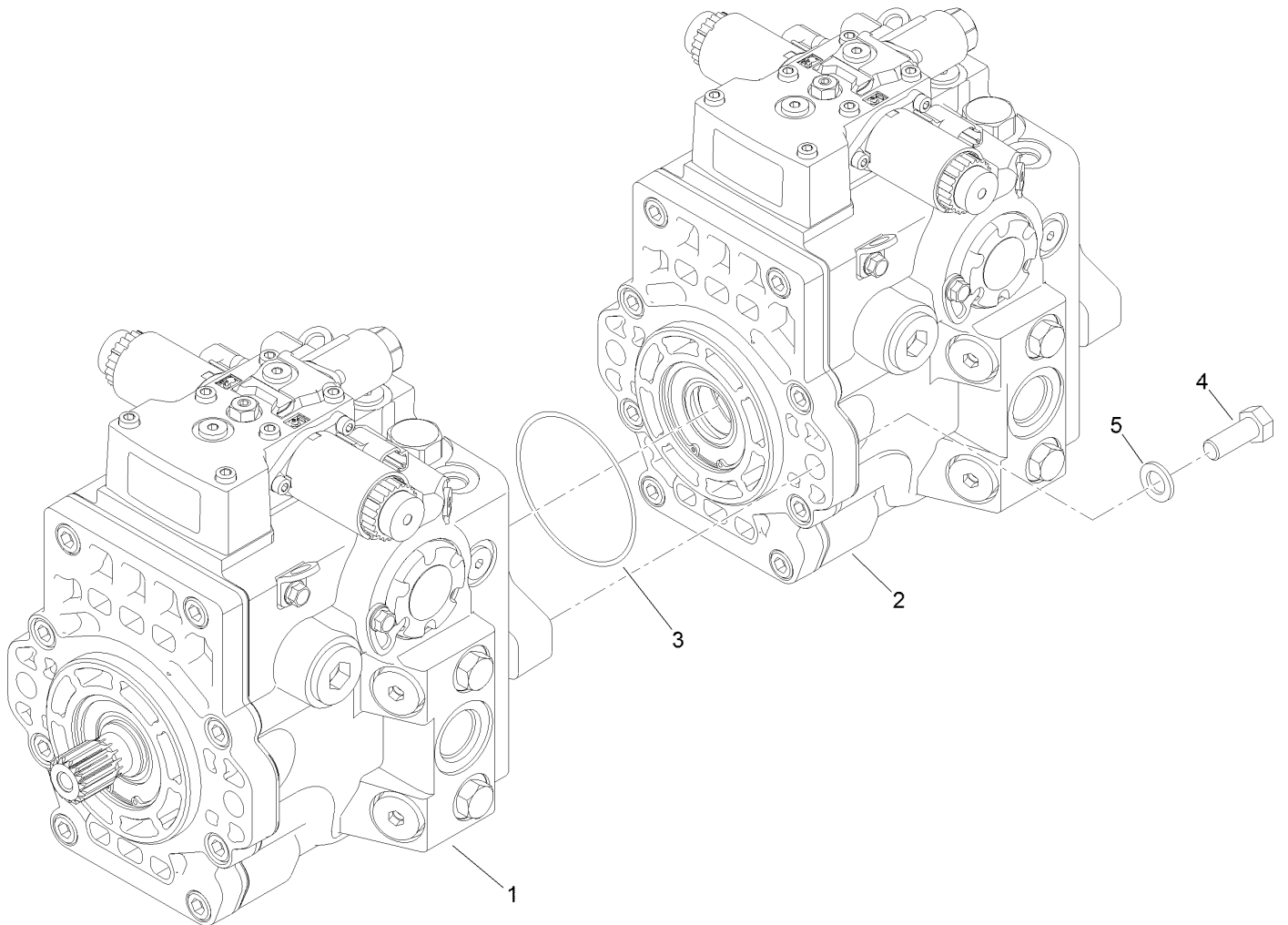
# Tandem Pump Assembly



## Tandem Pump Assembly (continued)

| <i>Ref.</i> | <i>Part Number</i> | <i>Qty.</i> | <i>Description</i>    | <i>Ref.</i> | <i>Part Number</i> | <i>Qty.</i> | <i>Description</i>    |
|-------------|--------------------|-------------|-----------------------|-------------|--------------------|-------------|-----------------------|
| 1           | 132-8497           | 1           | HYD Pump ASM          | 18          | 133-9381           | 1           | HYD Hose ASM          |
| 2           | 87-7270            | 2           | Washer-Thrust         | 19          | 100-4202           | 2           | Fitting-90            |
| 3           | 121-1524           | 2           | Screw-HH              | 19:1        | 237-81             | 1           | O-Ring                |
| 4           | 100-5530           | 2           | Fitting-45 DEG        | 20          | AU375462A1         | 2           | Connector             |
| 4:1         | 237-58             | 1           | O-Ring                | 20:1        | 237-81             | 1           | O-Ring                |
| 4:2         | 237-81             | 1           | O-Ring                | 21          | 137-0078           | 2           | Hose                  |
| 5           | 133-9374           | 2           | HYD Hose ASM          | 22          | 2412-34            | 8           | Clamp-Hose            |
| 6           | 133-9373           | 2           | HYD Hose ASM          | 23          | 105-0204           | 1           | Strainer Fitting ASM  |
| 7           | 340-142            | 6           | Fitting-Elbow, 90 DEG | 23:1        | 237-146            | 1           | O-Ring                |
| 7:1         | 237-58             | 1           | O-Ring                | 24          | 23-8910            | 1           | Stem-Barb-90          |
| 7:2         | 237-81             | 1           | O-Ring                | 24:1        | 237-146            | 1           | O-Ring                |
| 8           | 340-98             | 2           | Fitting-Elbow, 90 DEG | 25          | 133-9399           | 1           | Hose                  |
| 8:1         | 237-79             | 1           | O-Ring                | 26          | 139-5722           | 2           | HYD Hose ASM          |
| 8:2         | 237-30             | 1           | O-Ring                | 27          | 340-82             | 2           | Fitting-Elbow, 90 DEG |
| 9           | 93-2242            | 1           | Oil Filter ASM        | 27:1        | 237-42             | 1           | O-Ring                |
| 9:1         | 75-1310            | 1           | Filter-HYD            | 27:2        | 237-21             | 1           | O-Ring                |
| 10          | 33105-020          | 4           | Screw-HHF             | 28          | 340-77             | 2           | Fitting-Elbow, 90 DEG |
| 11          | 340-131            | 2           | Fitting-HYD, 90 DEG   | 28:1        | 237-22             | 1           | O-Ring                |
| 11:1        | 237-30             | 1           | O-Ring                | 28:2        | 237-42             | 1           | O-Ring                |
| 11:2        | 237-81             | 1           | O-Ring                | 31          | 340-125            | 1           | Fitting-Tee           |
| 12          | 139-1184           | 1           | HYD Hose ASM          | 31:1        | 237-21             | 2           | O-Ring                |
| 13          | 133-9385           | 1           | HYD Hose ASM          | 31:2        | 237-78             | 1           | O-Ring                |
| 14          | 340-86             | 2           | Fitting-Tee           | 33          | 340-104            | 1           | Fitting-Tee           |
| 14:1        | 237-22             | 2           | O-Ring                | 33:1        | 237-30             | 2           | O-Ring                |
| 14:2        | 237-42             | 1           | O-Ring                | 34          | 100-5616           | 1           | Fitting               |
| 15          | 133-9389           | 2           | HYD Tube ASM          | 35          | 3334-945           | 1           | Tie-Cable             |
| 16          | 133-9392           | 1           | Hose                  | 36          | 354-79             | 1           | Cap-Dust              |
| 17          | 133-9379           | 1           | HYD Hose ASM          |             |                    |             |                       |

# Tandem Hydraulic Pump Assembly No. 132-8497

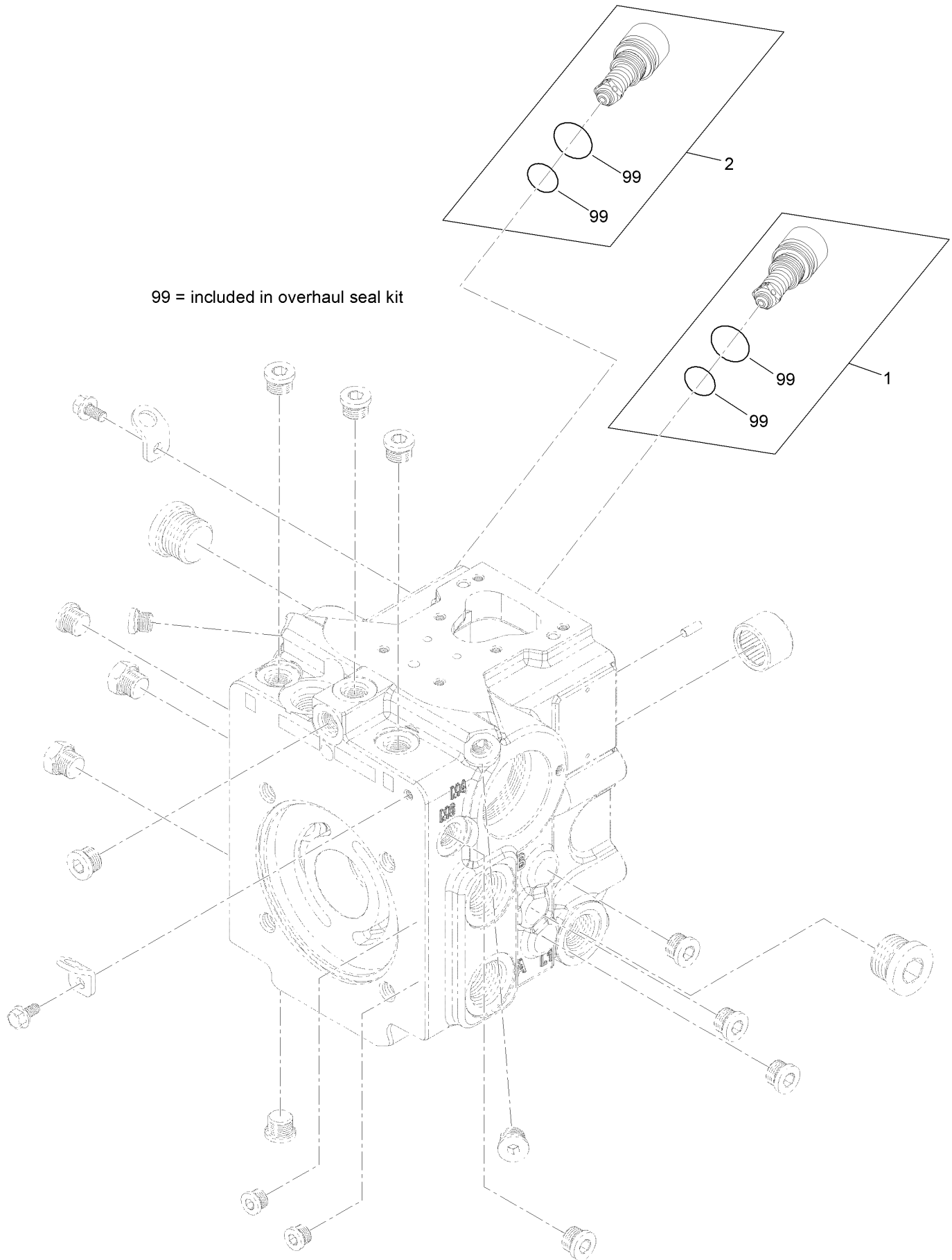




# Tandem Hydraulic Pump Assembly No. 132-8497 (continued)

| <i>Ref.</i> | <i>Part Number</i> | <i>Qty.</i> | <i>Description</i> | <i>Ref.</i> | <i>Part Number</i> | <i>Qty.</i> | <i>Description</i> |
|-------------|--------------------|-------------|--------------------|-------------|--------------------|-------------|--------------------|
| 1           | 139-4800           | 1           | Pump-Front         | 4           | 139-4803           | 2           | Screw              |
| 2           | 139-4801           | 1           | Pump-Rear          | 5           | 139-4804           | 2           | Washer             |
| 3           | 139-4802           | 1           | O-Ring             |             |                    |             |                    |

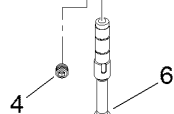
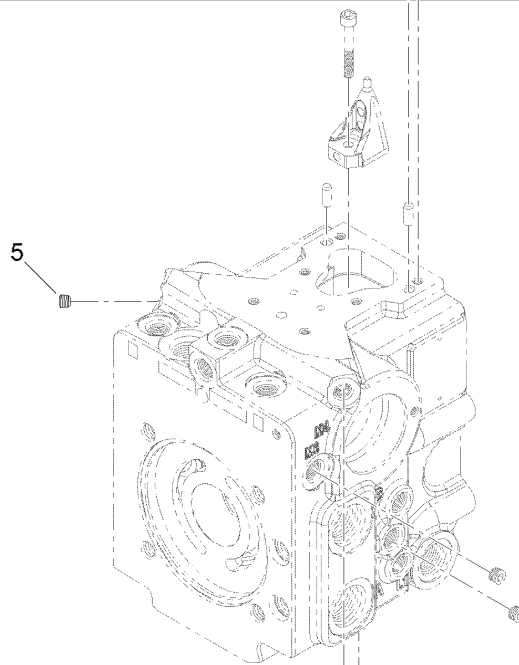
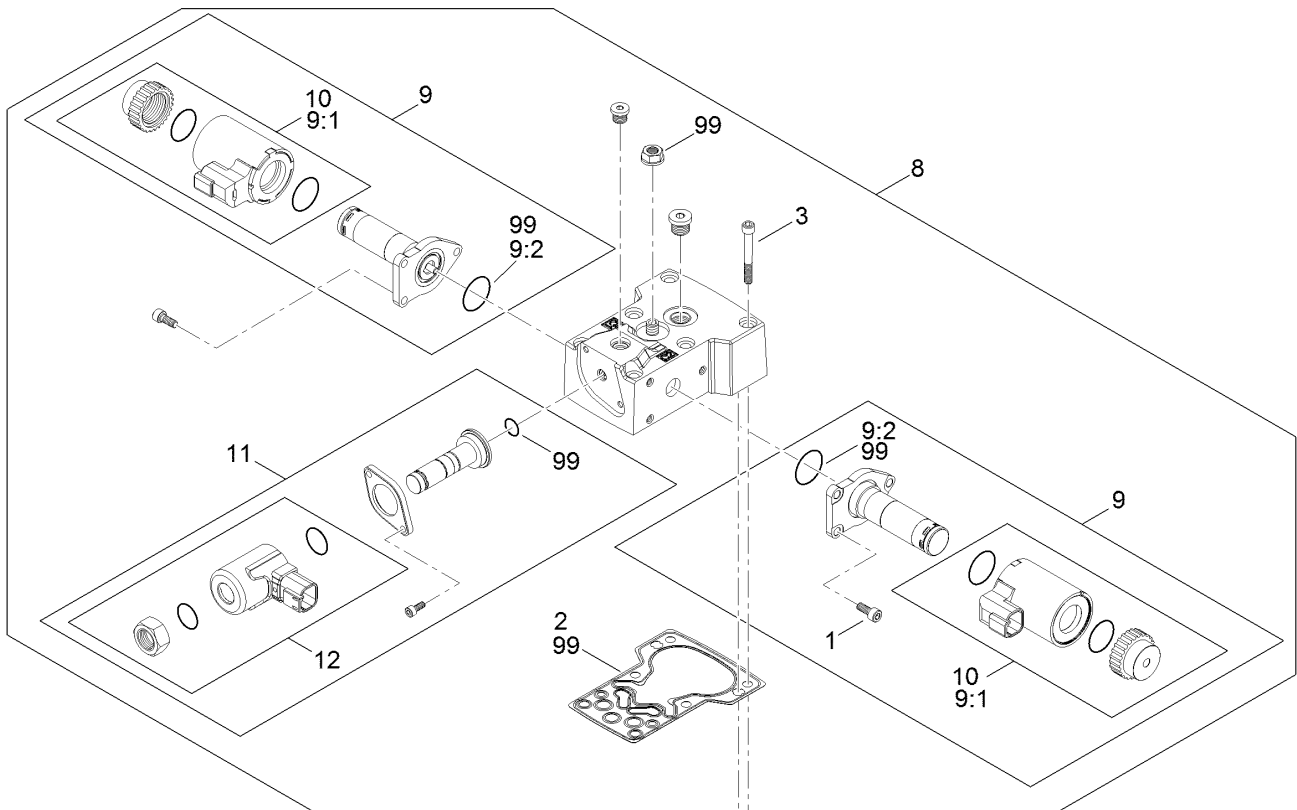
# Front Hydraulic Pump Assembly No. 139-4800



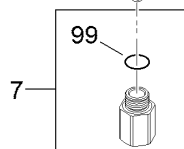
# Front Hydraulic Pump Assembly No. 139-4800 (continued)

| <i>Ref.</i> | <i>Part Number</i> | <i>Qty.</i> | <i>Description</i>          |
|-------------|--------------------|-------------|-----------------------------|
| 1           | 136-4392           | 1           | Valve-Relief, High Pressure |
| 2           | 136-4392           | 1           | Valve-Relief, High Pressure |
| 99          | 139-4828           | 1           | Seal Kit                    |

# Front Hydraulic Pump Assembly No. 139-4800



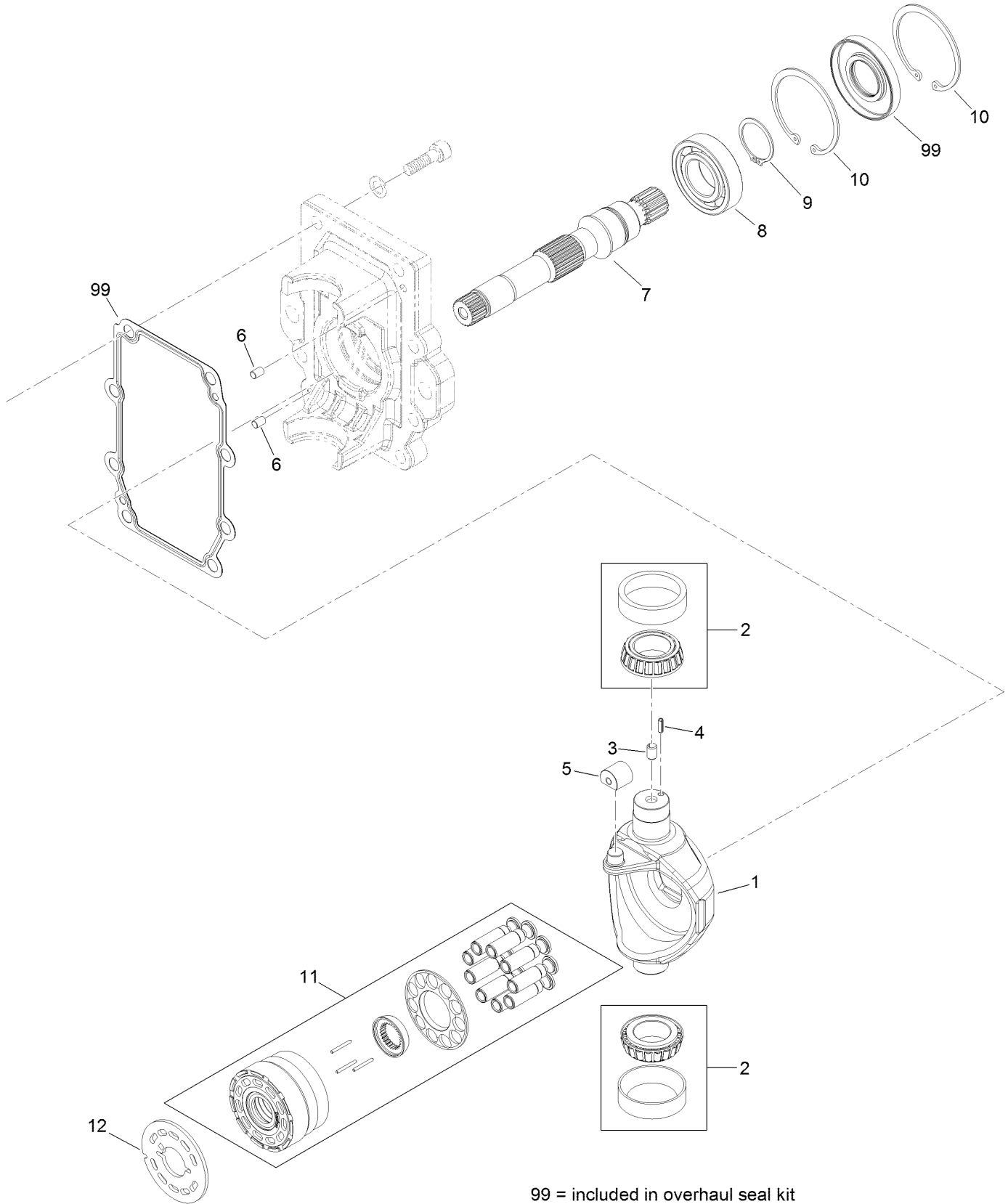
99 = included in overhaul seal kit



# Front Hydraulic Pump Assembly No. 139-4800 (continued)

| <i>Ref.</i> | <i>Part Number</i> | <i>Qty.</i> | <i>Description</i> | <i>Ref.</i> | <i>Part Number</i> | <i>Qty.</i> | <i>Description</i> |
|-------------|--------------------|-------------|--------------------|-------------|--------------------|-------------|--------------------|
| 1           | 125-5272           | 6           | Screw              | 9           | 131-7636           | 2           | Solenoid Valve ASM |
| 2           | 125-5283           | 1           | Gasket-Control     | 9:1         | 125-5294           | 1           | Coil Kit           |
| 3           | 125-5274           | 6           | Screw              | 9:2         | 125-5288           | 1           | O-Ring             |
| 4           | 139-4824           | 1           | Orifice            | 10          | 125-5294           | 2           | Coil Kit           |
| 5           | 139-4824           | 1           | Orifice            | 11          | 139-4808           | 1           | Valve-Solenoid     |
| 6           | 139-4807           | 1           | Spool ASM          | 12          | 139-4809           | 1           | Coil Kit           |
| 7           | 139-4805           | 1           | Plug ASM           | 99          | 139-4828           | 1           | Seal Kit           |
| 8           | 139-4810           | 1           | E D C Kit          |             |                    |             |                    |

# Front Hydraulic Pump Assembly No. 139-4800

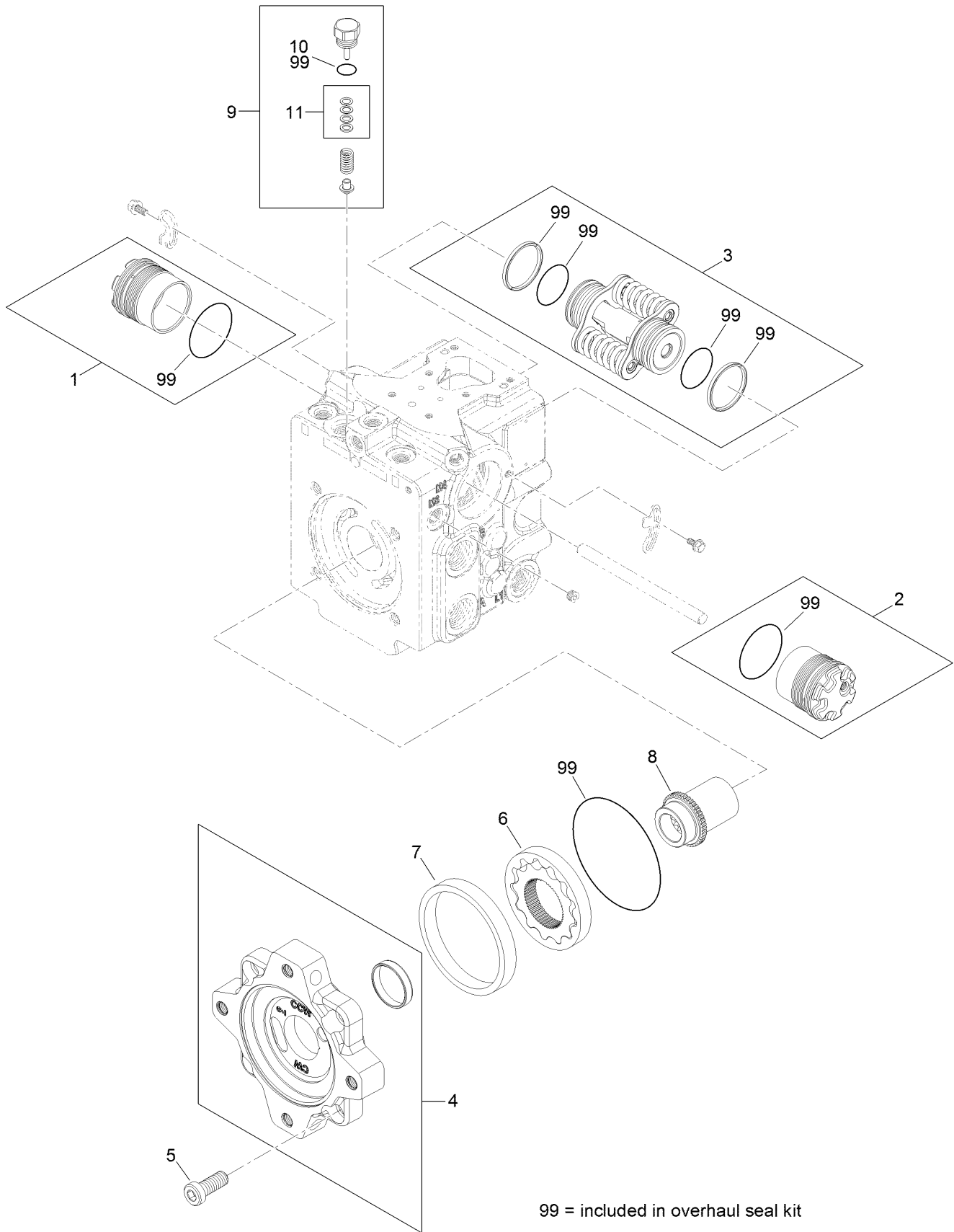


99 = included in overhaul seal kit

# Front Hydraulic Pump Assembly No. 139-4800 (continued)

| <i>Ref.</i> | <i>Part Number</i> | <i>Qty.</i> | <i>Description</i> | <i>Ref.</i> | <i>Part Number</i> | <i>Qty.</i> | <i>Description</i> |
|-------------|--------------------|-------------|--------------------|-------------|--------------------|-------------|--------------------|
| 1           | 139-4883           | 1           | Swashplate         | 8           | 139-4820           | 1           | Bearing-Ball       |
| 2           | 139-4815           | 2           | Bearing-Roller     | 9           | 139-4806           | 1           | Ring-Retaining     |
| 3           | 139-4817           | 1           | Bushing            | 10          | 139-4831           | 2           | Ring-Retaining     |
| 4           | 139-4830           | 1           | Pin-Slotted        | 11          | 139-4823           | 1           | Cylinder Block Kit |
| 5           | 139-4814           | 1           | Block-Slider       | 12          | 139-4813           | 1           | Plate-Valve        |
| 6           | 136-1024           | 2           | Pin                | 99          | 139-4828           | 1           | Seal Kit           |
| 7           | 139-4812           | 1           | Shaft-15 Tooth     |             |                    |             |                    |

# Front Hydraulic Pump Assembly No. 139-4800

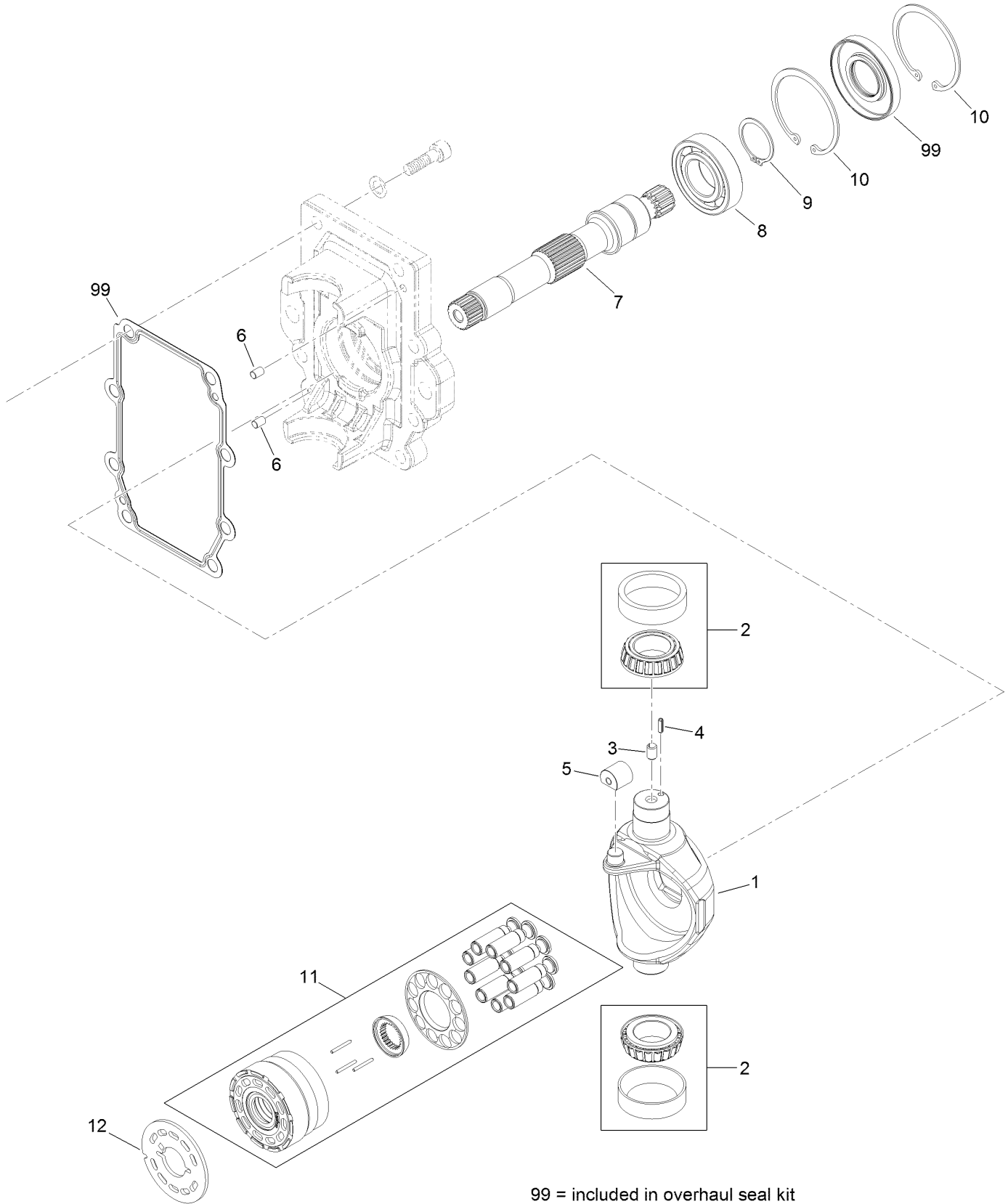




# Front Hydraulic Pump Assembly No. 139-4800 (continued)

| <i>Ref.</i> | <i>Part Number</i> | <i>Qty.</i> | <i>Description</i> | <i>Ref.</i> | <i>Part Number</i> | <i>Qty.</i> | <i>Description</i> |
|-------------|--------------------|-------------|--------------------|-------------|--------------------|-------------|--------------------|
| 1           | 139-4825           | 1           | Servo Cylinder ASM | 7           | 139-4827           | 1           | Ring-Pump, Charge  |
| 2           | 139-4825           | 1           | Servo Cylinder ASM | 8           | 139-4819           | 1           | Coupling           |
| 3           | 139-4826           | 1           | Servo Piston ASM   | 9           | 136-4397           | 1           | Charge Relief Kit  |
| 4           | 139-4829           | 1           | Adapter ASM        | 10          | 125-5298           | 1           | O-Ring             |
| 5           | 125-5282           | 4           | Screw              | 11          | 92-1353            | 1           | Shim Kit           |
| 6           | 139-4816           | 1           | Gerotor            | 99          | 139-4828           | 1           | Seal Kit           |

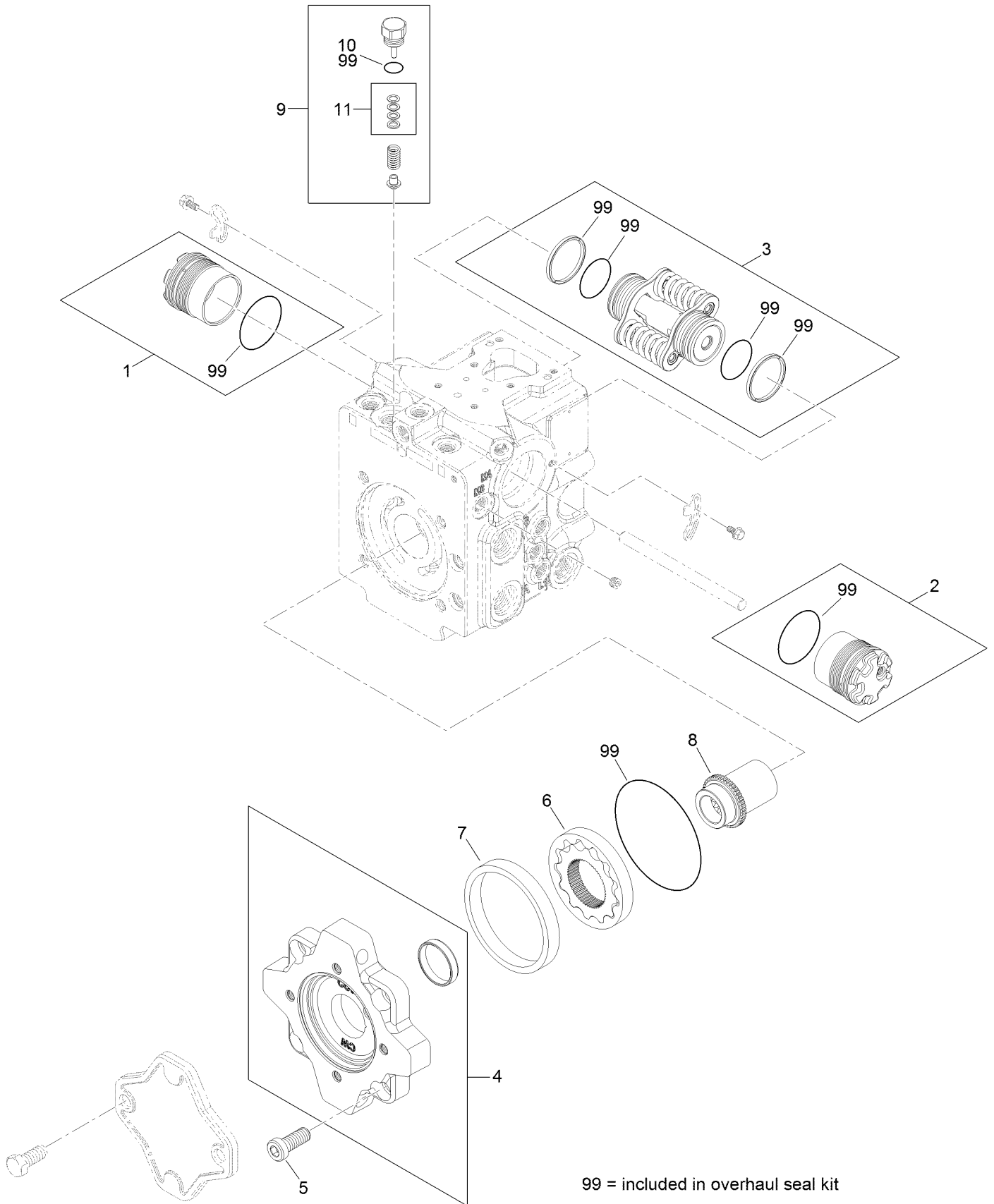
# Rear Hydraulic Pump Assembly No. 139-4801



# Rear Hydraulic Pump Assembly No. 139-4801 (continued)

| <i>Ref.</i> | <i>Part Number</i> | <i>Qty.</i> | <i>Description</i> | <i>Ref.</i> | <i>Part Number</i> | <i>Qty.</i> | <i>Description</i> |
|-------------|--------------------|-------------|--------------------|-------------|--------------------|-------------|--------------------|
| 1           | 139-4883           | 1           | Swashplate         | 8           | 139-4820           | 1           | Bearing-Ball       |
| 2           | 139-4815           | 2           | Bearing-Roller     | 9           | 139-4806           | 1           | Ring-Retaining     |
| 3           | 139-4817           | 1           | Bushing            | 10          | 139-4831           | 2           | Ring-Retaining     |
| 4           | 139-4830           | 1           | Pin-Slotted        | 11          | 139-4823           | 1           | Cylinder Block Kit |
| 5           | 139-4814           | 1           | Block-Slider       | 12          | 139-4813           | 1           | Plate-Valve        |
| 6           | 136-1024           | 2           | Pin                | 99          | 139-4828           | 1           | Seal Kit           |
| 7           | 139-4811           | 1           | Shaft-13Tooth      |             |                    |             |                    |

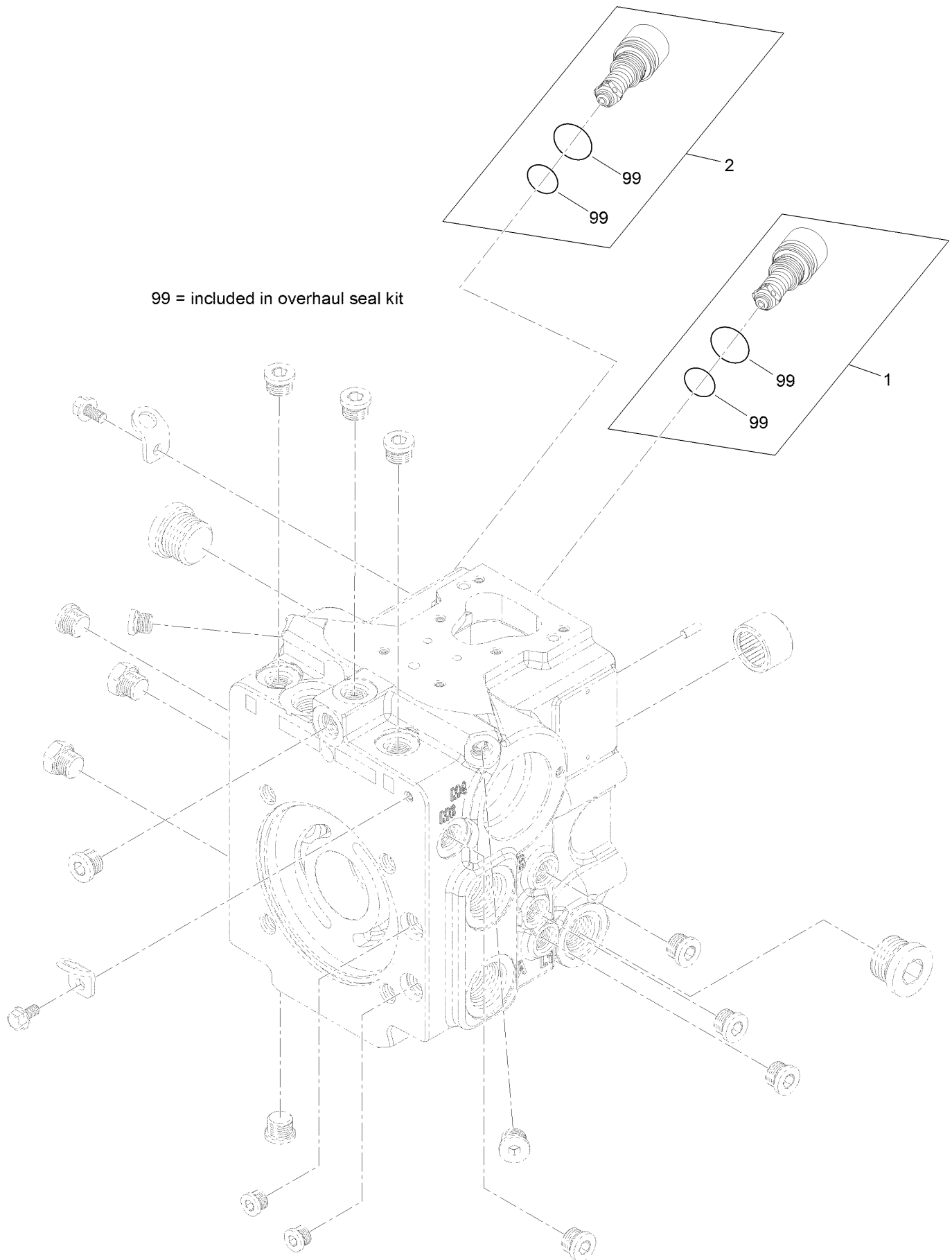
# Rear Hydraulic Pump Assembly No. 139-4801



# Rear Hydraulic Pump Assembly No. 139-4801 (continued)

| <i>Ref.</i> | <i>Part Number</i> | <i>Qty.</i> | <i>Description</i> | <i>Ref.</i> | <i>Part Number</i> | <i>Qty.</i> | <i>Description</i> |
|-------------|--------------------|-------------|--------------------|-------------|--------------------|-------------|--------------------|
| 1           | 139-4825           | 1           | Servo Cylinder ASM | 7           | 139-4827           | 1           | Ring-Pump, Charge  |
| 2           | 139-4825           | 1           | Servo Cylinder ASM | 8           | 139-4818           | 1           | Coupling           |
| 3           | 139-4826           | 1           | Servo Piston ASM   | 9           | 136-4397           | 1           | Charge Relief Kit  |
| 4           | 139-4822           | 1           | Adapter ASM        | 10          | 125-5298           | 1           | O-Ring             |
| 5           | 125-5282           | 4           | Screw              | 11          | 92-1353            | 1           | Shim Kit           |
| 6           | 139-4816           | 1           | Gerotor            | 99          | 139-4828           | 1           | Seal Kit           |

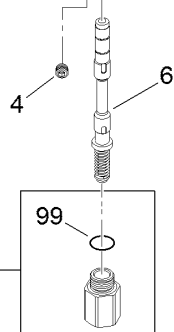
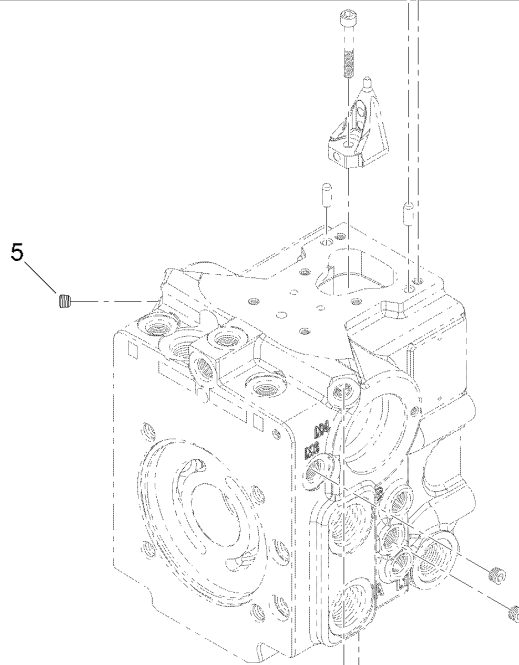
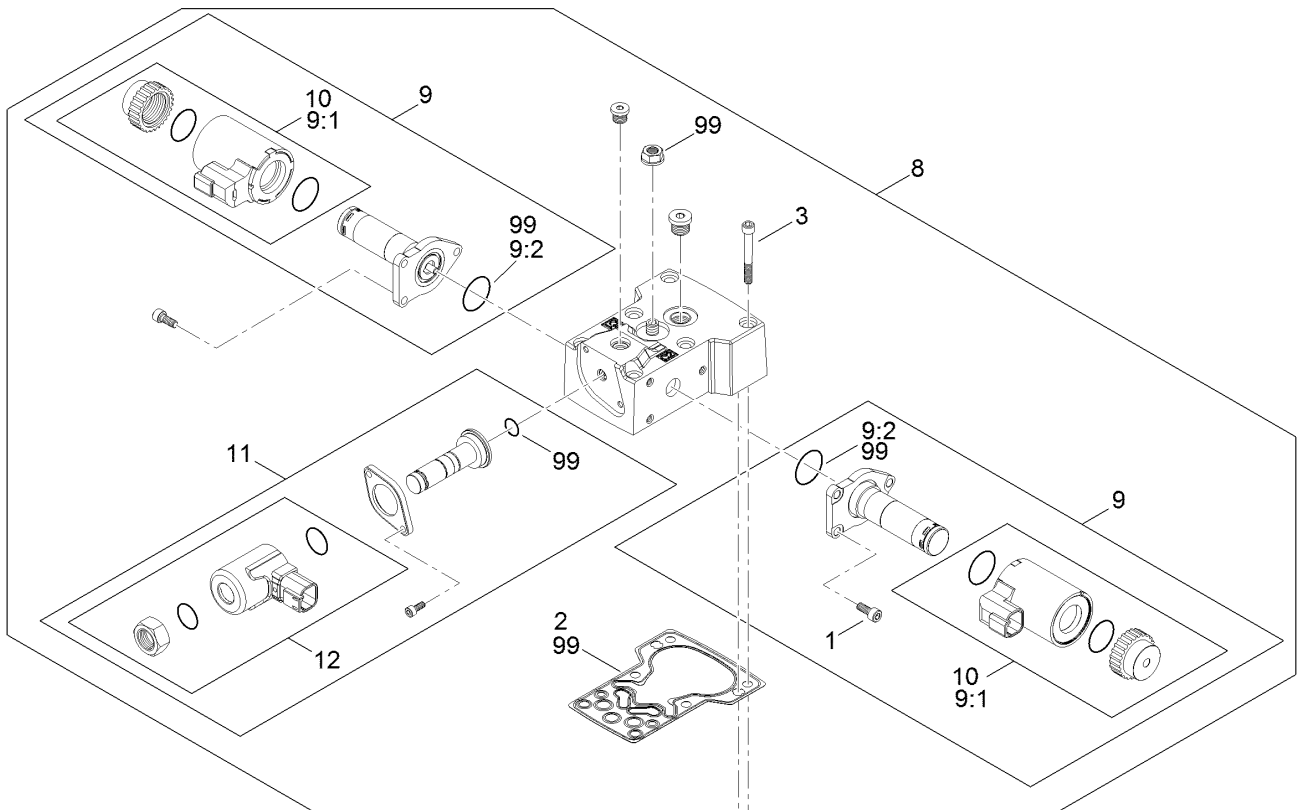
# Rear Hydraulic Pump Assembly No. 139-4801



# Rear Hydraulic Pump Assembly No. 139-4801 (continued)

| <i>Ref.</i> | <i>Part Number</i> | <i>Qty.</i> | <i>Description</i>          |
|-------------|--------------------|-------------|-----------------------------|
| 1           | 136-4392           | 1           | Valve-Relief, High Pressure |
| 2           | 136-4392           | 1           | Valve-Relief, High Pressure |
| 99          | 139-4828           | 1           | Seal Kit                    |

# Rear Hydraulic Pump Assembly No. 139-4801



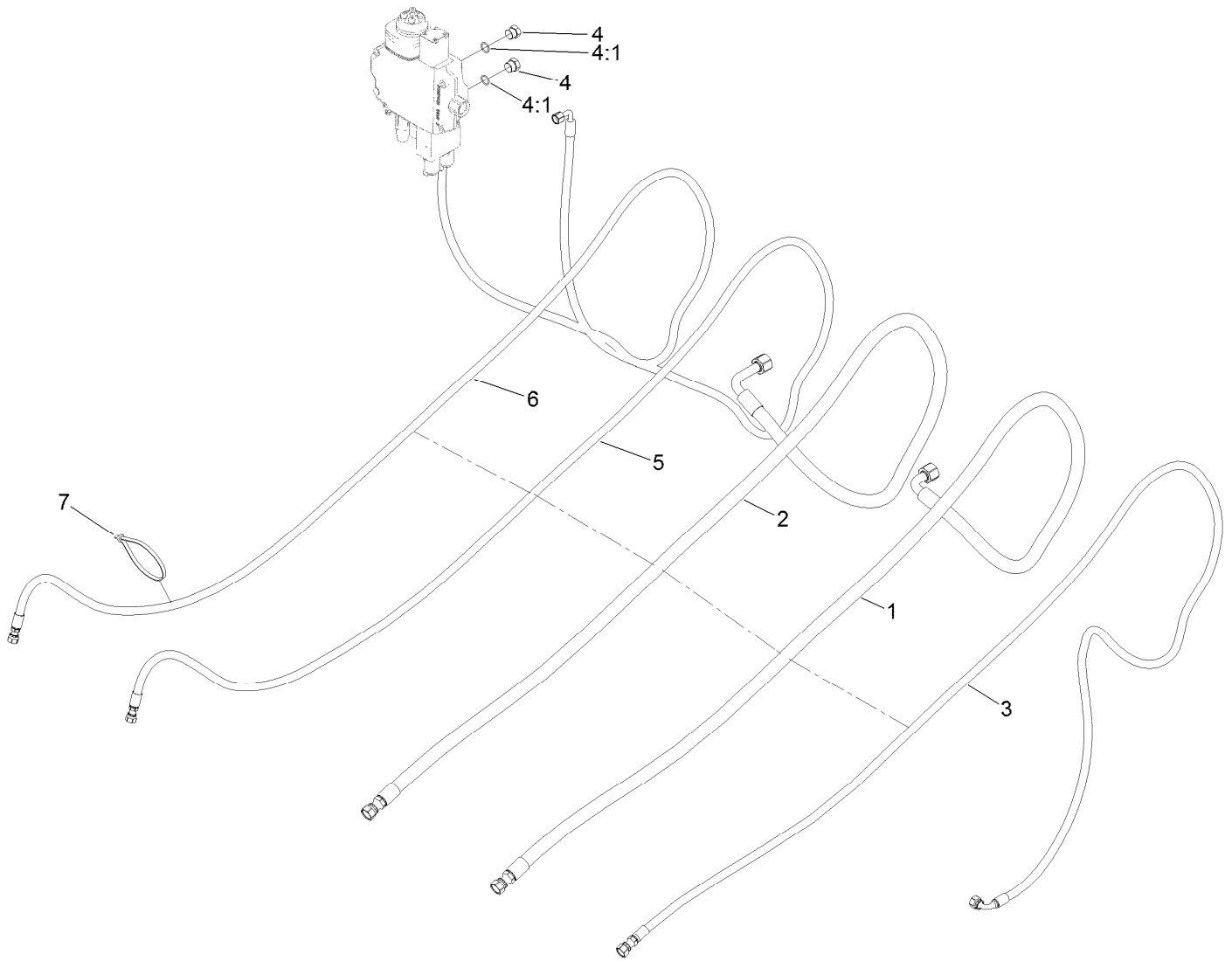
99 = included in overhaul seal kit



# Rear Hydraulic Pump Assembly No. 139-4801 (continued)

| <i>Ref.</i> | <i>Part Number</i> | <i>Qty.</i> | <i>Description</i> | <i>Ref.</i> | <i>Part Number</i> | <i>Qty.</i> | <i>Description</i> |
|-------------|--------------------|-------------|--------------------|-------------|--------------------|-------------|--------------------|
| 1           | 125-5272           | 6           | Screw              | 9           | 131-7636           | 2           | Solenoid Valve ASM |
| 2           | 125-5283           | 1           | Gasket-Control     | 9:1         | 125-5294           | 1           | Coil Kit           |
| 3           | 125-5274           | 6           | Screw              | 9:2         | 125-5288           | 1           | O-Ring             |
| 4           | 139-4824           | 1           | Orifice            | 10          | 125-5294           | 2           | Coil Kit           |
| 5           | 139-4824           | 1           | Orifice            | 11          | 139-4808           | 1           | Valve-Solenoid     |
| 6           | 139-4807           | 1           | Spool ASM          | 12          | 139-4809           | 1           | Coil Kit           |
| 7           | 139-4805           | 1           | Plug ASM           | 99          | 139-4828           | 1           | Seal Kit           |
| 8           | 139-4810           | 1           | E D C Kit          |             |                    |             |                    |

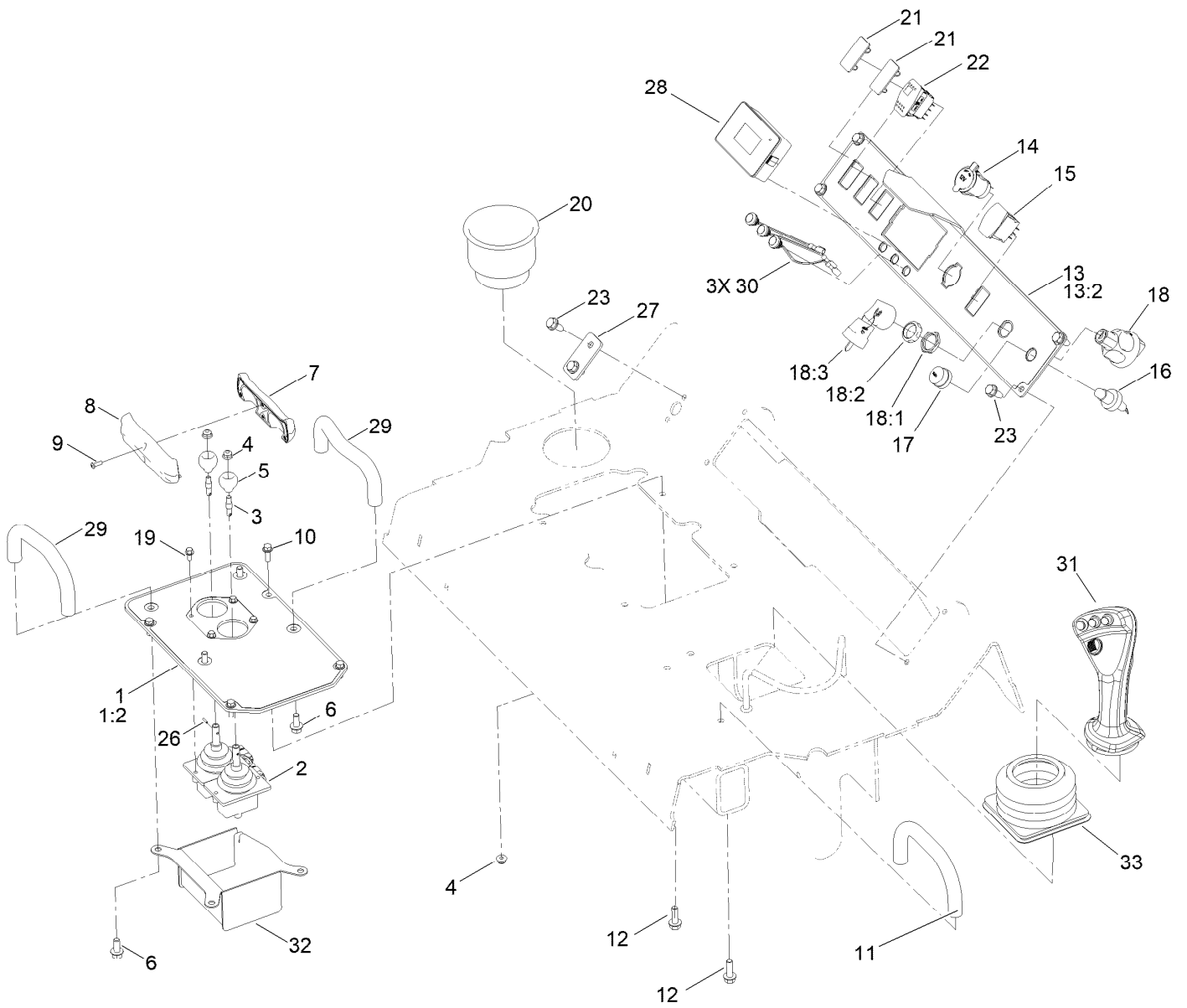
# Loader Arm Hydraulic Hose Assembly



## Loader Arm Hydraulic Hose Assembly (continued)

| <i>Ref.</i> | <i>Part Number</i> | <i>Qty.</i> | <i>Description</i> | <i>Ref.</i> | <i>Part Number</i> | <i>Qty.</i> | <i>Description</i> |
|-------------|--------------------|-------------|--------------------|-------------|--------------------|-------------|--------------------|
| 1           | 136-6138           | 1           | Hose-HYD           | 4:1         | 237-80             | 1           | O-Ring             |
| 2           | 136-6139           | 1           | Hose-HYD           | 5           | 136-6136           | 1           | Hose-HYD           |
| 3           | 136-6140           | 1           | Hose-HYD           | 6           | 136-6137           | 1           | Hose-HYD           |
| 4           | 353-551            | 2           | Plug-HH            | 7           | 3334-945           | 1           | Tie-Cable          |

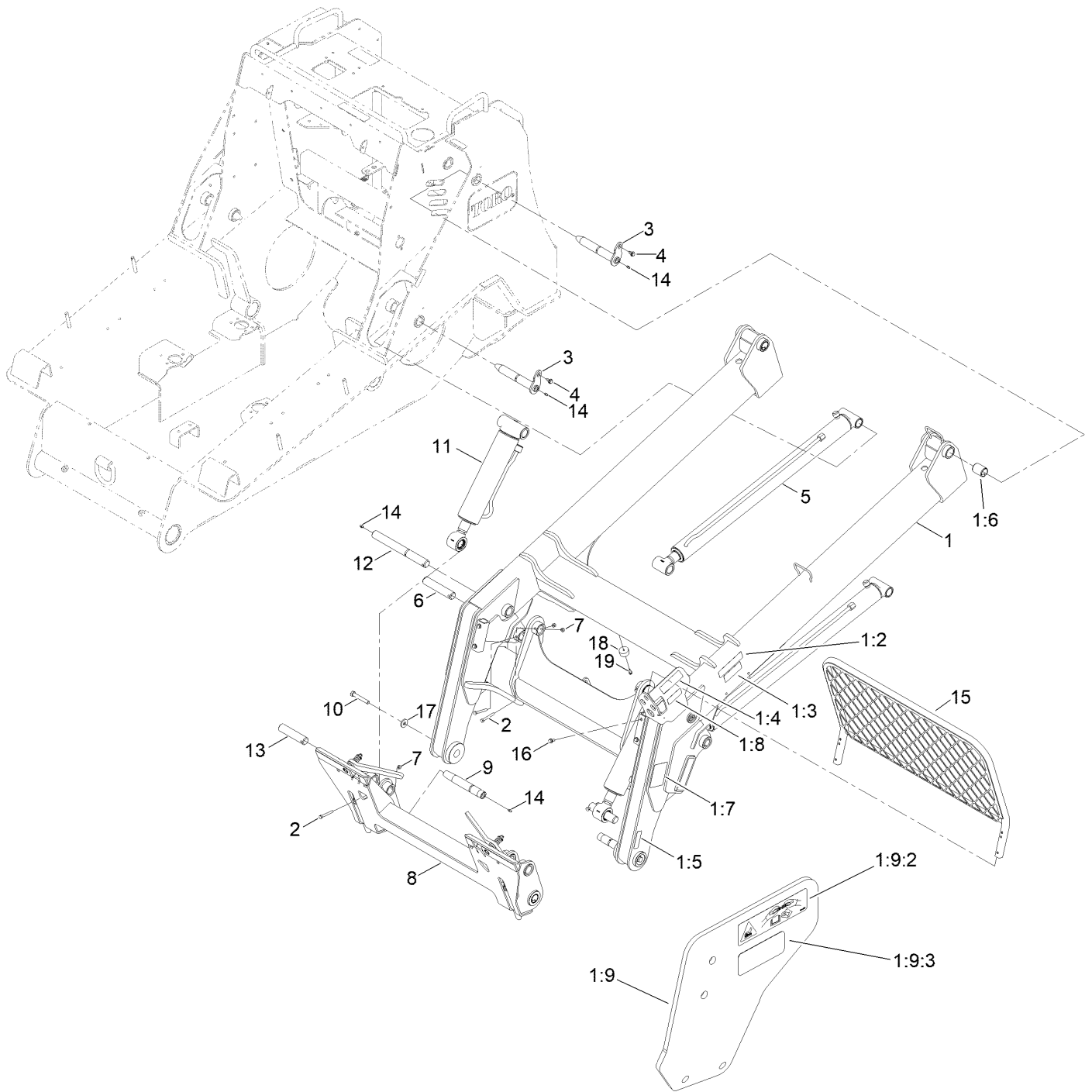
# Control Console Assembly



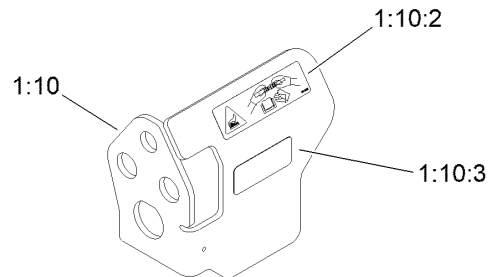
## Control Console Assembly (continued)

| <i>Ref.</i> | <i>Part Number</i> | <i>Qty.</i> | <i>Description</i>              | <i>Ref.</i> | <i>Part Number</i> | <i>Qty.</i> | <i>Description</i>             |
|-------------|--------------------|-------------|---------------------------------|-------------|--------------------|-------------|--------------------------------|
| 1           | 138-4729           | 1           | Plate-Controls, Traction        | 17          | 112-3313           | 1           | Nut-Weatherproof               |
| 1:2         | 137-5420           | 1           | Decal-Traction                  | 18          | 121-5159           | 1           | Switch-Ignition                |
| 2           | 136-4784           | 2           | Lever-Control                   | 18:1        | 121-5160           | 1           | Nut-Hex                        |
| 3           | 137-0431           | 2           | Shaft-Handle                    | 18:2        | 122-2704           | 1           | Nut-Face, M22 (Plastic)        |
| 4           | 104-7201           | 6           | Nut-HF, NI                      | 18:3        | 121-5162           | 1           | Set-Key, Ignition              |
| 5           | 130-7723           | 2           | Ball-Traction                   | 19          | 120-4579           | 4           | Screw-HHF                      |
| 6           | 3234-5             | 4           | Screw-HHF                       | 20          | AU8EO24121         | 1           | Cup-Holder                     |
| 7           | 139-1166           | 1           | Handle-Front                    | 21          | 99-7420            | 2           | Plug-Hole                      |
| 8           | 139-1167           | 1           | Handle-Rear                     | 22          | 100-8072           | 1           | Switch-Rocker,<br>On-None-(On) |
| 9           | 94-6961            | 4           | Screw                           | 23          | 32104-32           | 6           | Screw-HWH                      |
| 10          | 115-5103           | 4           | Screw-HHF                       | 26          | 137-0432           | 2           | Pin-Roll                       |
| 11          | 112-2620           | 1           | Bar-Reference                   | 27          | 137-0439-01        | 1           | Plate-Blank                    |
| 12          | 3234-17            | 2           | Screw-HHF                       | 28          | 122-1201           | 1           | Module-Display                 |
| 13          | 139-5745           | 1           | Plate-Controls, Main            | 29          | 138-4693           | 2           | Bar-Reference                  |
| 13:2        | 139-5744           | 1           | Decal-Controls                  | 30          | 136-9678           | 3           | Switch-Pushbutton              |
| 14          | 126-6499           | 1           | Port-Power, 12V                 | 31          | 136-4879           | 1           | Handle-Joystick                |
| 15          | 100-1535           | 1           | Switch-Rocker,<br>(On)-Off-(On) | 32          | 138-2294-03        | 1           | Cover-Valve [black]            |
| 16          | 112-3324           | 1           | Switch-Horn                     | 33          | 140-1662           | 1           | Boot                           |

# Loader Arm Assembly



USE 161-7172 FOR MODEL YEAR 2021 AND UP (S/N 406500000 AND UP)

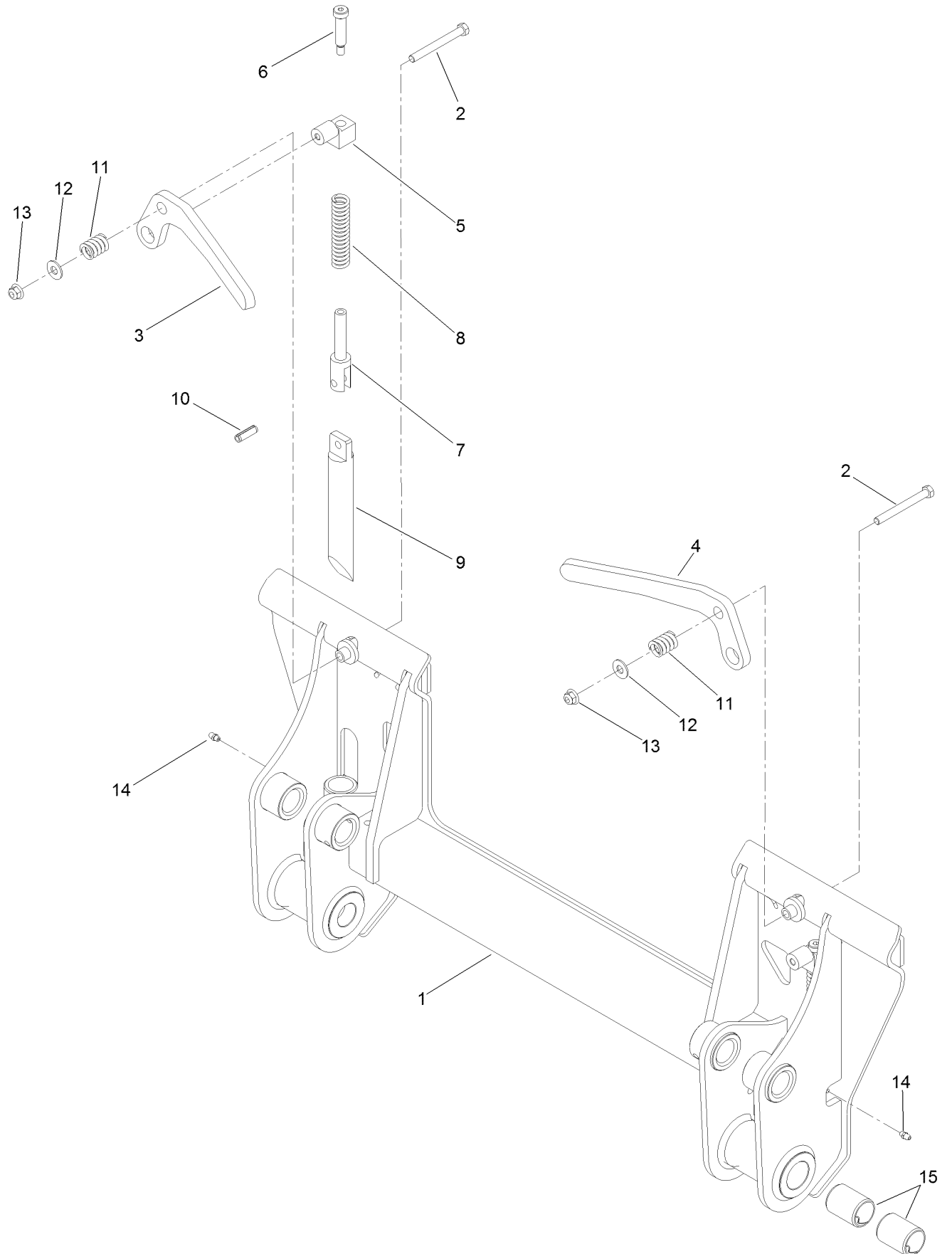


USE 161-7173 FOR MODEL YEAR 2017-2020 (S/N 400000000 THRU 406499999)

## Loader Arm Assembly (continued)

| <i>Ref.</i> | <i>Part Number</i> | <i>Qty.</i> | <i>Description</i>       | <i>Ref.</i> | <i>Part Number</i> | <i>Qty.</i> | <i>Description</i>     |
|-------------|--------------------|-------------|--------------------------|-------------|--------------------|-------------|------------------------|
| 1           | 139-7091           | 1           | Loader Arm-Standard, ASM | 4           | 99-5105            | 4           | Screw-Shoulder         |
| 1:2         | 139-1158           | 2           | Decal-Warning            | 5           | 139-5718           | 2           | CYL-HYD                |
| 1:3         | 139-1159           | 2           | Decal-Warning            | 6           | 139-7121           | 2           | Pin-Link               |
| 1:4         | 115-4855           | 1           | Decal-Caution            | 7           | 3296-29            | 6           | Nut-Lock, NI           |
| 1:5         | 120-0625           | 2           | Decal-Warning            | 8           | 132-8468           | 1           | Qtach ASM              |
| 1:6         | 137-0126           | 4           | Bushing-Spring           | 9           | 139-5731           | 2           | Pin-Link, Taper        |
| 1:7         | 139-1164           | 2           | Decal-Warning            | 10          | 112-7264           | 2           | Screw-HH               |
| 1:8         | 139-1173           | 1           | Decal-Warning            | 11          | 139-5717           | 2           | CYL-HYD                |
| 1:9         | 161-7172           | 1           | Plate-Mount Qc           | 12          | 132-8445           | 2           | Pin-Link               |
| 1:9:2       | 115-4855           | 1           | Decal-Caution            | 13          | 139-5739           | 2           | Pin-Link               |
| 1:9:3       | 139-1173           | 1           | Decal-Warning            | 14          | 302-5              | 8           | Fitting-Grease         |
| 1:10        | 161-7173           | 1           | Mount-Plate Qd           | 15          | 139-1195-03        | 1           | Screen-Debris          |
| 1:10:2      | 115-4855           | 1           | Decal-Caution            | 16          | 3234-5             | 4           | Screw-HHF              |
| 1:10:3      | 139-1173           | 1           | Decal-Warning            | 17          | 110-6147           | 2           | Washer-Flat            |
| 2           | 322-12             | 6           | Screw-HH                 | 18          | 94-4548            | 2           | Bumper-Recessed        |
| 3           | 137-0132           | 4           | Pivot Pin ASM            | 19          | 32144-44           | 2           | Screw-HWH, Thread Roll |

# Qtach Assembly No. 132-8468



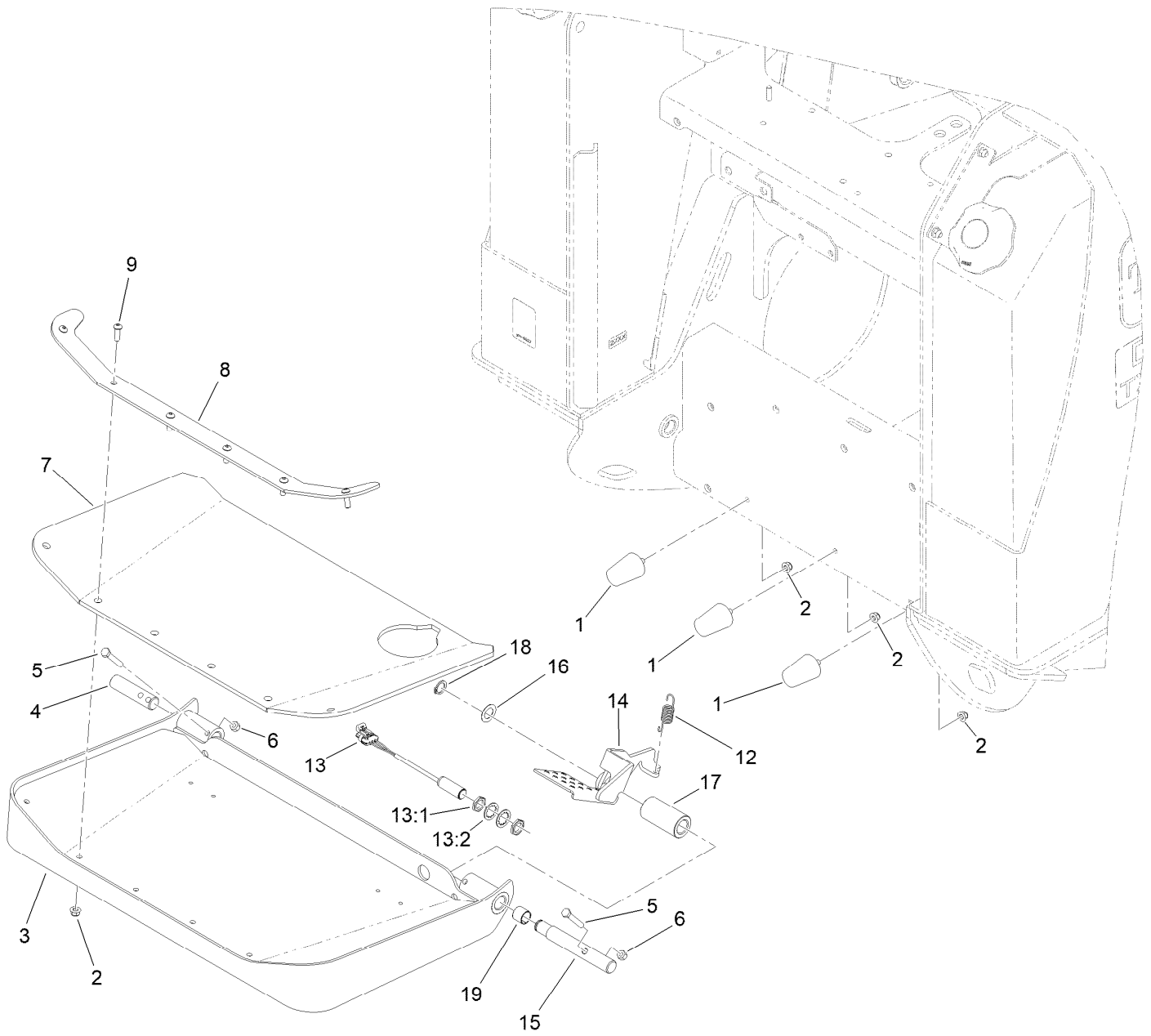


## Qtach Assembly No. 132-8468 (continued)

| <i>Ref.</i> | <i>Part Number</i> | <i>Qty.</i> | <i>Description</i> |
|-------------|--------------------|-------------|--------------------|
| 1           | 132-8459-03        | 1           | Mount-Qtach        |
| 2           | 323-15             | 2           | Screw-HH           |
| 3           | 132-8460-03        | 1           | Handle-Left        |
| 4           | 132-8461-03        | 1           | Handle-Right       |
| 5           | 133-9419           | 2           | Block-Stop         |
| 6           | 1-809062           | 2           | Screw              |
| 7           | 132-8462           | 2           | Link-Handle        |
| 8           | 1-633454           | 2           | Spring-Brake       |

| <i>Ref.</i> | <i>Part Number</i> | <i>Qty.</i> | <i>Description</i> |
|-------------|--------------------|-------------|--------------------|
| 9           | 132-8467           | 2           | Pin-Qtach          |
| 10          | 32121-42           | 2           | Pin-Roll           |
| 11          | 95-0772            | 2           | Spring-Compression |
| 12          | 3256-4             | 2           | Washer-Flat        |
| 13          | 104-8301           | 2           | Nut-HF, NI         |
| 14          | 302-5              | 2           | Fitting-Grease     |
| 15          | 137-0126           | 4           | Bushing-Spring     |

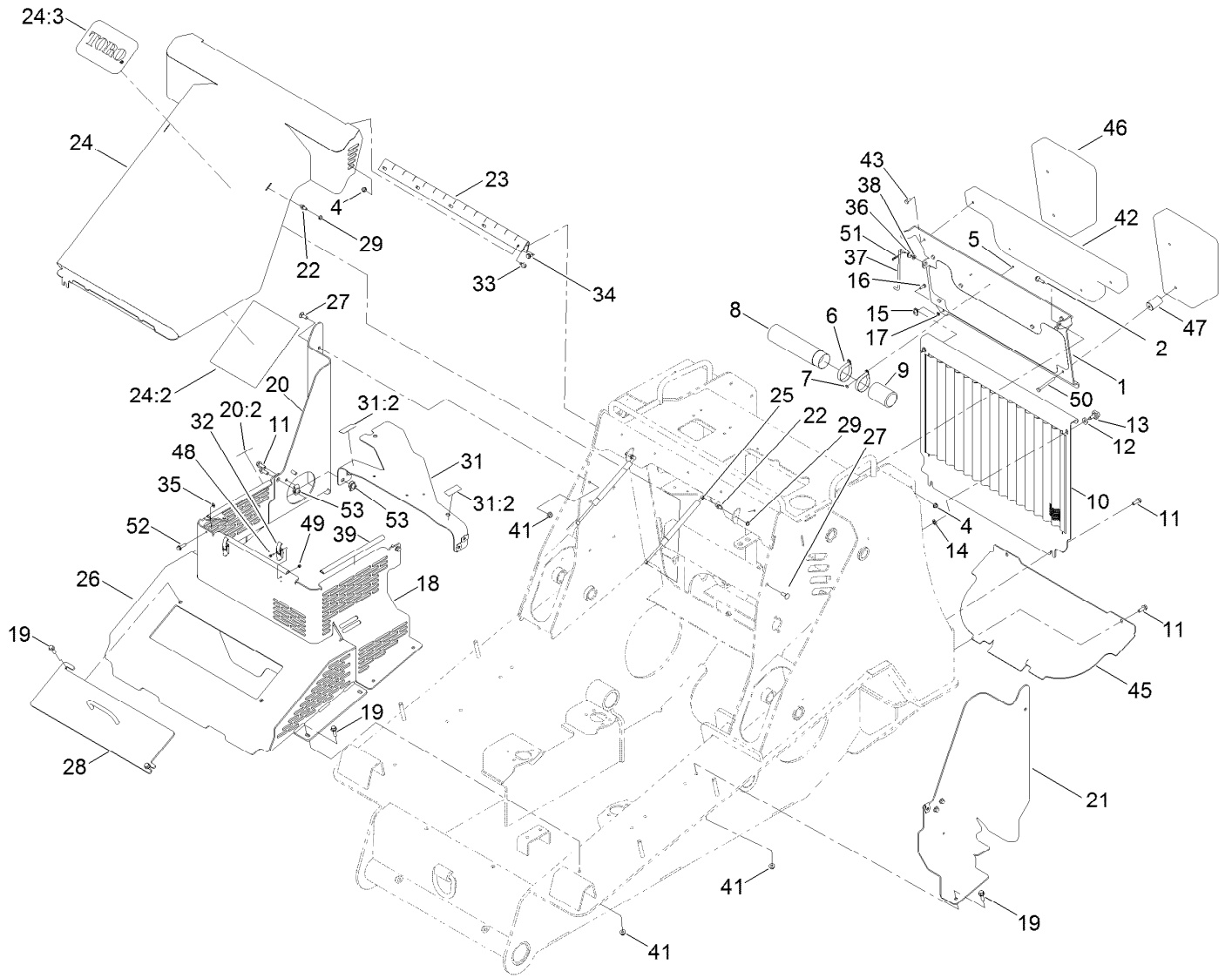
# Platform Assembly



## Platform Assembly (continued)

| <i>Ref.</i> | <i>Part Number</i> | <i>Qty.</i> | <i>Description</i>      | <i>Ref.</i> | <i>Part Number</i> | <i>Qty.</i> | <i>Description</i>          |
|-------------|--------------------|-------------|-------------------------|-------------|--------------------|-------------|-----------------------------|
| 1           | 110-5070           | 3           | Bumper                  | 13          | 115-5300           | 1           | Proximity Switch ASM        |
| 2           | 104-8300           | 9           | Nut-HF, NI              | 13:1        | 117-3207           | 2           | Nut-Hex                     |
| 3           | 138-4672-03        | 1           | Platform                | 13:2        | 117-3208           | 2           | Washer-Lock, Internal Tooth |
| 4           | 125-3749           | 1           | Pin-Cylinder            | 14          | 144-0735-03        | 1           | Pedal ASM, [black]          |
| 5           | 322-10             | 2           | Screw-HH                | 15          | 144-0794           | 1           | Pin-Pivot                   |
| 6           | 3296-29            | 2           | Nut-Lock, NI            | 16          | 9202574            | 1           | Washer-Flat                 |
| 7           | 138-4674           | 1           | Pad-Platform            | 17          | 144-0737           | 1           | Spacer                      |
| 8           | 138-4677-03        | 1           | Bracket-Clamp, Platform | 18          | 32120-93           | 1           | Ring-Retaining              |
| 9           | 109-4872           | 6           | Screw-HSH               | 19          | 94-9609            | 1           | Bushing-Straight            |
| 12          | 137-6189           | 1           | Spring-Extension        |             |                    |             |                             |

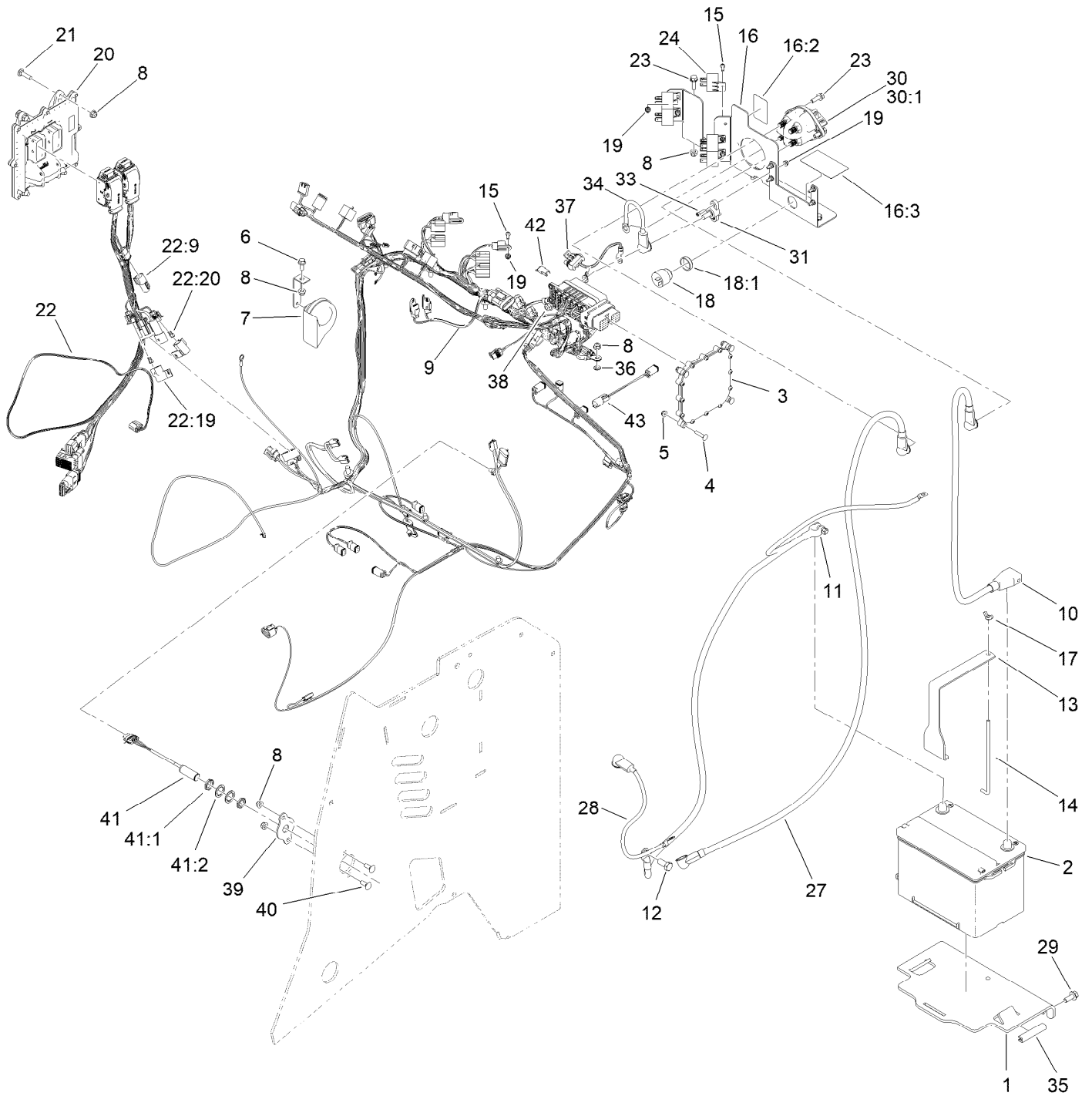
# Hood and Access Panel Assembly



## Hood and Access Panel Assembly (continued)

| <i>Ref.</i> | <i>Part Number</i> | <i>Qty.</i> | <i>Description</i> | <i>Ref.</i> | <i>Part Number</i> | <i>Qty.</i> | <i>Description</i>   |
|-------------|--------------------|-------------|--------------------|-------------|--------------------|-------------|----------------------|
| 1           | 136-4854-03        | 1           | Panel-Rear         | 26          | 138-2409-03        | 1           | Front Cover ASM      |
| 2           | 108-3744           | 2           | Screw-Shoulder     | 27          | 3231-2             | 2           | Bolt-CARR            |
| 4           | 104-8300           | 7           | Nut-HF, NI         | 28          | 137-0440-03        | 1           | Cover Plate ASM      |
| 5           | 3269-17            | 2           | Rivet-Pop          | 29          | 3296-47            | 4           | Nut-Lock,NI          |
| 6           | 2412-120           | 2           | Clamp-R            | 31          | 140-4456           | 1           | Bracket-Air Cleaner  |
| 7           | 3269-10            | 2           | Washer-Back        | 31:2        | 115-2047           | 2           | Decal-Surface, Hot   |
| 8           | 104-7050           | 1           | Tube-Manual        | 32          | 105-3912           | 2           | Latch-Draw           |
| 9           | 104-7048           | 1           | Cap-Housing        | 33          | 3234-5             | 5           | Screw-HHF            |
| 10          | 133-9353-03        | 1           | Cover-Rear         | 34          | 32104-32           | 5           | Screw-HWH            |
| 11          | 3234-11            | 10          | Screw-HHF          | 35          | 109-5667           | 1           | Nut-Push             |
| 12          | 106-0565           | 2           | Washer-Rubber      | 36          | 237-141            | 1           | Grommet-Rubber       |
| 13          | 95-9648            | 2           | Knob               | 37          | 137-5350           | 1           | Rod-Prop             |
| 14          | 107-3154           | 2           | Nut-Push           | 38          | 3256-22            | 1           | Washer-Flat          |
| 15          | 107069             | 1           | Clip               | 39          | 137-0393           | 3           | Liner-Foam           |
| 16          | 321-4              | 1           | Screw-HH           | 41          | 104-8301           | 12          | Nut-HF, NI           |
| 17          | 1-803037           | 1           | Nut-Retaining      | 42          | 137-0405           | 1           | Cushion-Pad          |
| 18          | 139-7063-03        | 1           | Grill-Panel        | 43          | 322-3              | 4           | Screw-HH             |
| 19          | 3234-24            | 12          | Screw-HHF          | 45          | 132-8485-01        | 1           | Cover-Access, Bottom |
| 20          | 140-4455           | 1           | Cover-Grille, RH   | 46          | 137-0536           | 2           | Pad-Rear             |
| 20:2        | 115-2047           | 1           | Decal-Surface, Hot | 47          | 138-2318           | 4           | Spacer-Pad           |
| 21          | 139-7065-03        | 1           | Panel-Side, LH     | 48          | 112-3169           | 4           | Screw-HHF, Serrated  |
| 22          | 103-5752           | 4           | Stud-Ball          | 49          | 3296-1             | 4           | Nut-Lock             |
| 23          | 137-0378           | 1           | Hinge-Piano        | 50          | 322-14             | 4           | Screw-HH             |
| 24          | 138-4736           | 1           | Hood ASM           | 51          | 3290-307           | 1           | Pin-Cotter           |
| 24:2        | 137-5419           | 1           | Decal-Service      | 52          | 32144-49           | 1           | Screw-HWHTF          |
| 24:3        | 92-1242            | 1           | Decal              | 53          | 105-4886           | 6           | Nut-Tinnerman        |
| 25          | 114-5532           | 2           | Cylinder-Gas       |             |                    |             |                      |

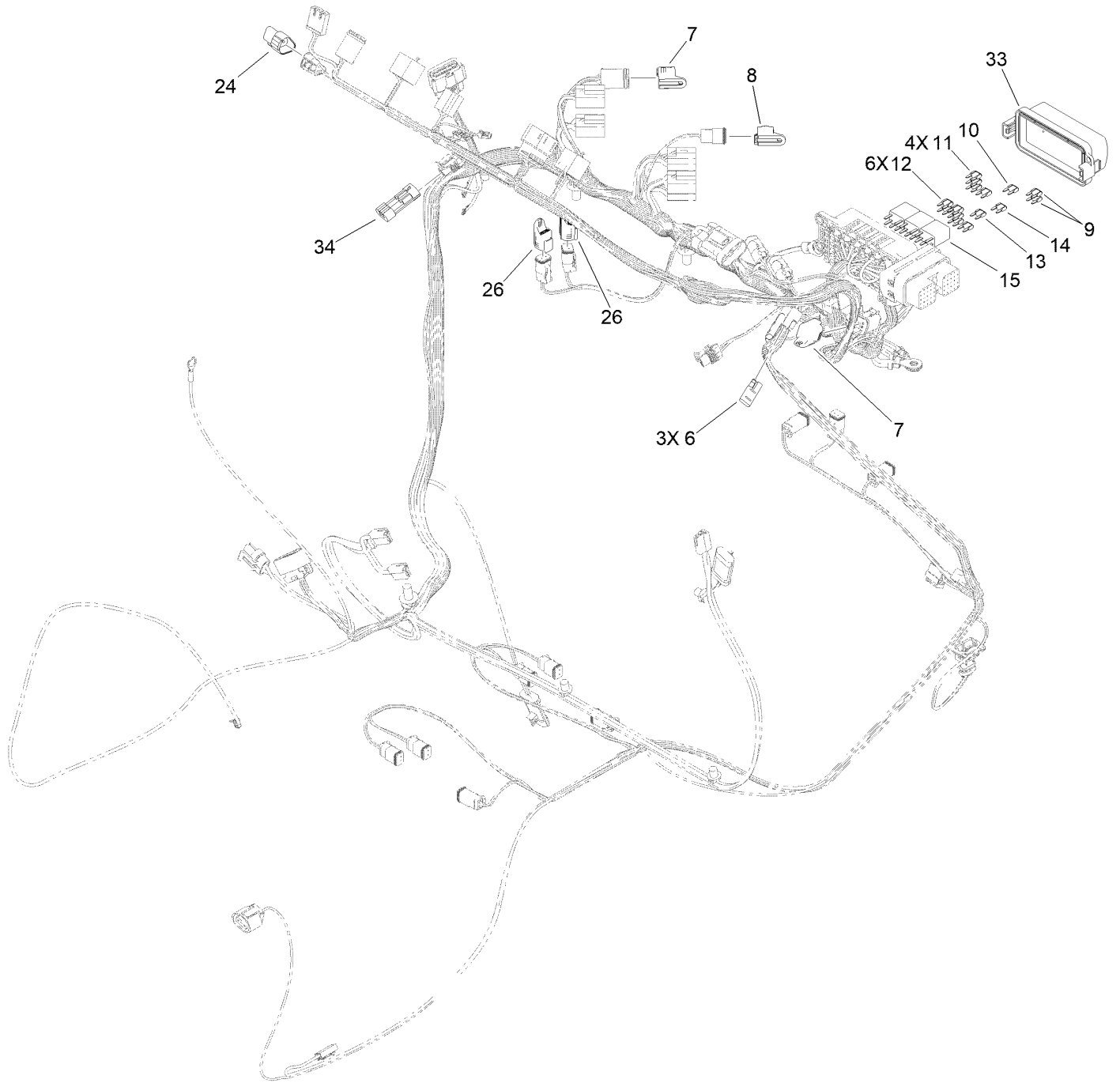
# Electrical Assembly



## Electrical Assembly (continued)

| <i>Ref.</i> | <i>Part Number</i> | <i>Qty.</i> | <i>Description</i>                  | <i>Ref.</i> | <i>Part Number</i> | <i>Qty.</i> | <i>Description</i>          |
|-------------|--------------------|-------------|-------------------------------------|-------------|--------------------|-------------|-----------------------------|
| 1           | 137-0374-03        | 1           | Bracket-Battery                     | 22          | 122-2173           | 1           | Harness-Wire,               |
| 2           | 106-5190           | 1           | Battery, 660 CCA W/O<br>Electrolyte | 22:9        | 32180-043          | 1           | Resistor-120 Ohm            |
| 3           | 127-2770           | 1           | Controller                          | 22:19       | 32180-101          | 2           | Cover-Fuse, Single          |
| 4           | 3229-3             | 4           | Screw-CARR                          | 22:20       | 121-8864           | 2           | Fuse-Mini Blade, 5 Amp      |
| 5           | 104-7201           | 4           | Nut-HF, NI                          | 23          | 3234-29            | 5           | Screw-HHF                   |
| 6           | 3234-47            | 1           | Screw-HHF                           | 24          | 99-7435            | 6           | Relay                       |
| 7           | 116749             | 1           | Horn                                | 27          | 136-4754           | 1           | Cable-Battery, Positive     |
| 8           | 104-8300           | 13          | Nut-HF, NI                          | 28          | 136-4816           | 1           | Cable-Battery, Positive     |
| 9           | 122-2172           | 1           | Harness-Wire,Main,                  | 29          | 3234-11            | 3           | Screw-HHF                   |
| 10          | 136-6090           | 1           | Cable-Battery, Positive             | 30          | 122-0603           | 1           | Switch-Disconnect           |
| 11          | 136-6091           | 1           | Cable-Battery, Negative             | 30:1        | 33006-00           | 1           | Nut-HF                      |
| 12          | AU514-842          | 1           | Screw-HH                            | 31          | 110-8822           | 1           | Block-Junction              |
| 13          | 133-9422-03        | 1           | Plate-Hold, Battery                 | 33          | 3274-14            | 2           | Screw-HSH                   |
| 14          | 130-5220           | 1           | Rod-Hold Down, Battery              | 34          | 137-0525           | 1           | Cable-Battery, Positive     |
| 15          | 3290-126           | 9           | Screw-HWH                           | 35          | 70-2041            | 2           | Trim - Edge                 |
| 16          | 161-7282           | 1           | Bracket-Components,<br>Electrical   | 36          | 3255-8             | 1           | Washer-Lock                 |
| 16:2        | 137-7164           | 1           | Decal-Power, Battery                | 37          | 122-0084           | 1           | Harness-Wire, Fusible Link  |
| 16:3        | 161-7273           | 1           | Decal - Fuses                       | 38          | 104-8301           | 1           | Nut-HF, NI                  |
| 17          | 1-803038           | 1           | Wingnut                             | 39          | 138-4709           | 1           | Plate-Mount, Sensor         |
| 18          | 80-9330            | 1           | Audio Alarm ASM                     | 40          | 3230-16            | 2           | Screw-CARR                  |
| 18:1        | 104-5107           | 1           | Nut-Plastic, Knurled                | 41          | 115-5300           | 1           | Proximity Switch ASM        |
| 19          | 120-4578           | 11          | Nut-HF                              | 41:1        | 117-3207           | 2           | Nut-Hex                     |
| 20          | 136-4739           | 1           | Ecu-Engine                          | 41:2        | 117-3208           | 2           | Washer-Lock, Internal Tooth |
| 21          | 3230-3             | 4           | Screw-CARR                          | 42          | 136-4862           | 1           | Harness-Wire, Fusible Link  |
|             |                    |             |                                     | 43          | 136-4868           | 1           | Harness-Wire, Aux Jumper    |

# Main Wire Harness Assembly No. 122-2172

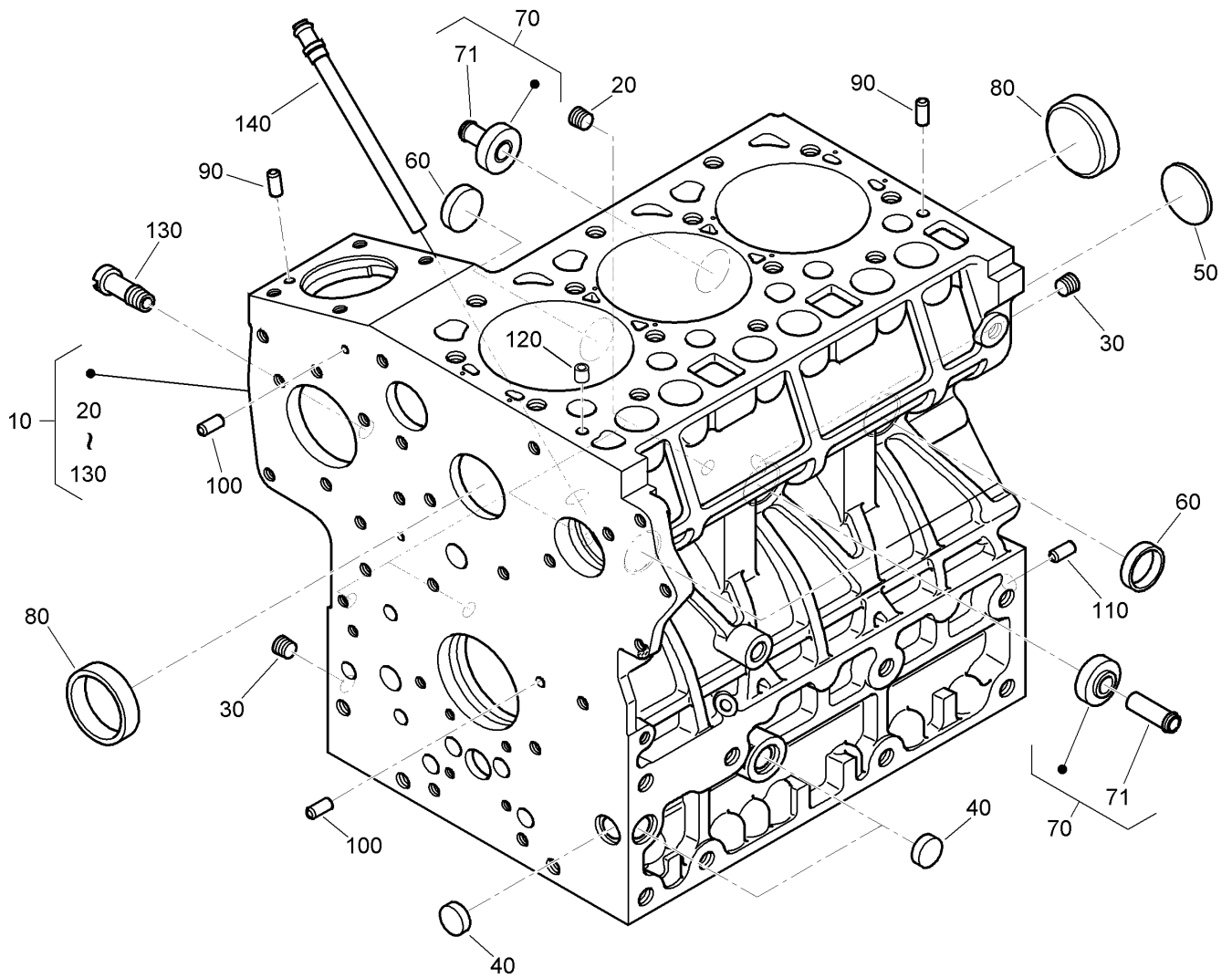




## Main Wire Harness Assembly No. 122-2172 (continued)

| <i>Ref.</i> | <i>Part Number</i> | <i>Qty.</i> | <i>Description</i>       | <i>Ref.</i> | <i>Part Number</i> | <i>Qty.</i> | <i>Description</i>        |
|-------------|--------------------|-------------|--------------------------|-------------|--------------------|-------------|---------------------------|
| 6           | 116-0053           | 3           | Cap-Plug                 | 13          | 121-8868           | 1           | Fuse-Mini Blade, 20 Amp   |
| 7           | 32180-156          | 1           | Cap-Plug, 6 Way          | 14          | 121-8869           | 1           | Fuse-Mini Blade, 25 Amp   |
| 8           | 32180-089          | 1           | Cap-Plug, 3 Way          | 15          | 122-0368           | 3           | Relay-280 ISO             |
| 9           | 121-8861           | 2           | Fuse-Mini Blade, 2 Amp   | 24          | 32180-043          | 1           | Resistor-120 Ohm          |
| 10          | 121-8864           | 1           | Fuse-Mini Blade, 5 Amp   | 26          | 32180-091          | 2           | Cap-Dust, 2 Way           |
| 11          | 121-8865           | 4           | Fuse-Mini Blade, 7.5 Amp | 33          | 32180-229          | 1           | Cover-Littelfuse, Pdm 60F |
| 12          | 121-8866           | 6           | Fuse-Mini Blade, 10 Amp  | 34          | 32160-070          | 1           | Connector                 |

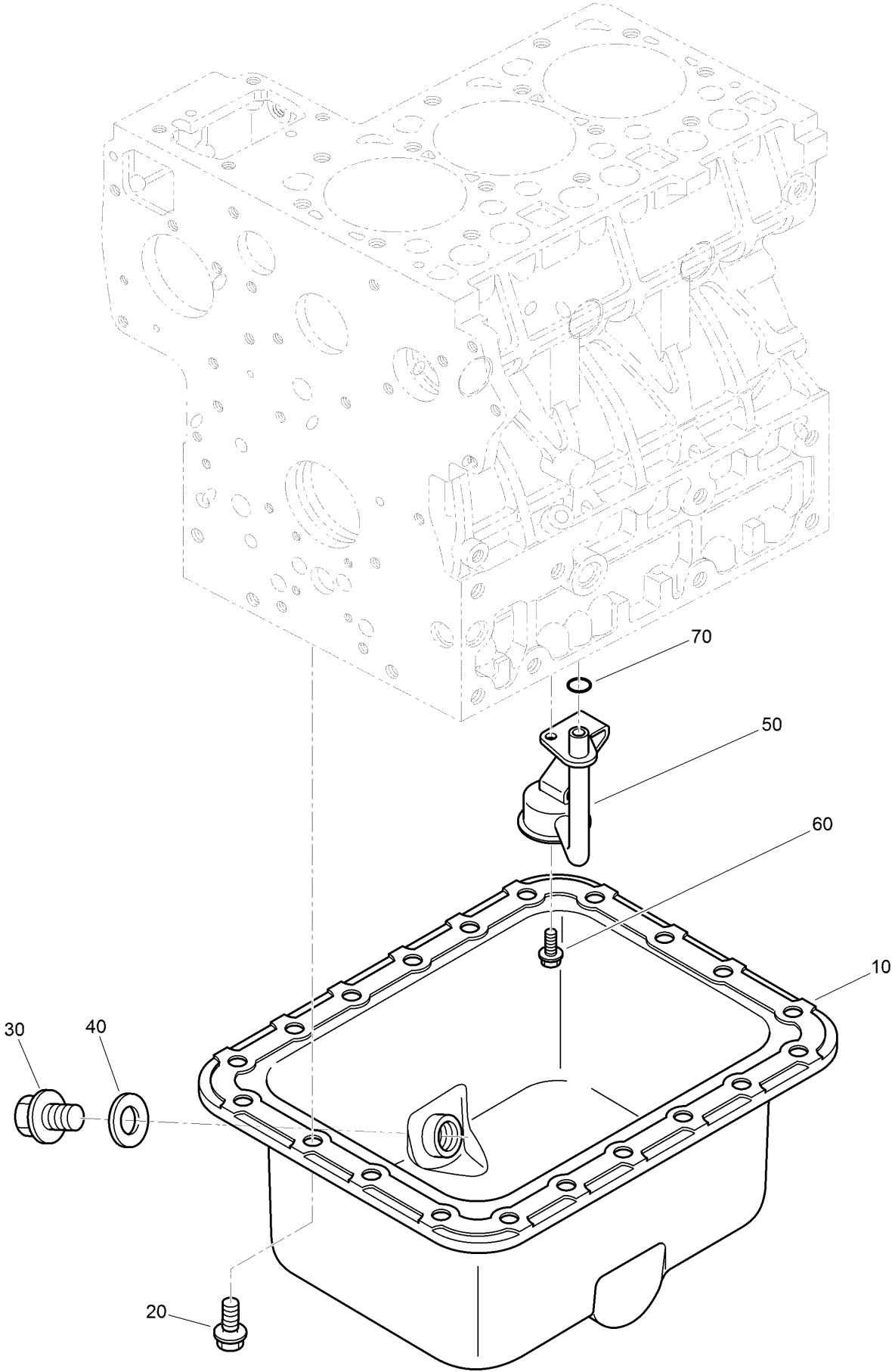
# Crankcase Assembly



## Crankcase Assembly (continued)

| <i>Ref.</i> | <i>Part Number</i> | <i>Qty.</i> | <i>Description</i> | <i>Ref.</i> | <i>Part Number</i> | <i>Qty.</i> | <i>Description</i> |
|-------------|--------------------|-------------|--------------------|-------------|--------------------|-------------|--------------------|
| 10          | 139-9772           | 1           | Crankcase          | 80          | 98-7501            | 2           | Cap-Sealing        |
| 20          | 98-7487            | 4           | Plug               | 90          | 98-7503            | 2           | Pin-Straight       |
| 30          | 98-7488            | 2           | Plug               | 100         | 98-7504            | 2           | Pin-Straight       |
| 40          | 98-7489            | 3           | Plug               | 110         | 98-7505            | 1           | Pin-Straight       |
| 50          | 98-9668            | 1           | Plug-Expansion     | 120         | 98-7506            | 1           | Pin-Pipe           |
| 60          | 98-7500            | 3           | Cap-Sealing        | 130         | 100-9153           | 1           | Pipe-Return, Water |
| 70          | 139-4711           | 2           | Pipe               | 140         | 139-9729           | 1           | Pipe-Return, Oil   |
| 71          | 139-9578           | 2           | Pipe-Return, Water |             |                    |             |                    |

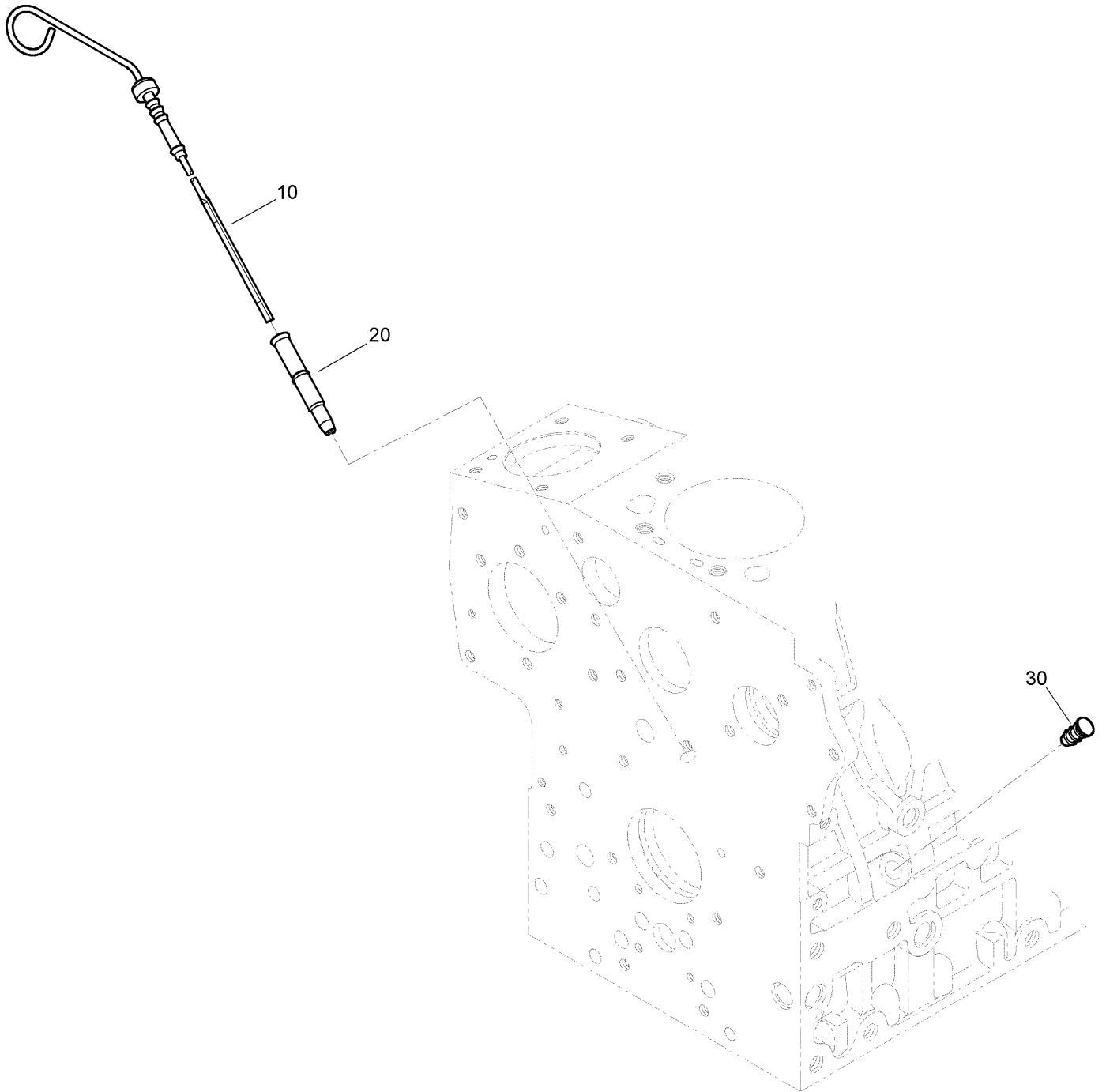
# Oil Pan Assembly



## Oil Pan Assembly (continued)

| <i>Ref.</i> | <i>Part Number</i> | <i>Qty.</i> | <i>Description</i> | <i>Ref.</i> | <i>Part Number</i> | <i>Qty.</i> | <i>Description</i> |
|-------------|--------------------|-------------|--------------------|-------------|--------------------|-------------|--------------------|
| 10          | 139-4713           | 1           | Pan-Oil            | 50          | 139-9658           | 1           | Filter-Oil         |
| 20          | 139-9663           | 20          | Bolt-Flange        | 60          | 115-8504           | 1           | Bolt-Flange        |
| 30          | 114-8151           | 1           | Plug-Drain         | 70          | 108-7054           | 1           | O-Ring             |
| 40          | AU87421317         | 1           | Washer-Seal        |             |                    |             |                    |

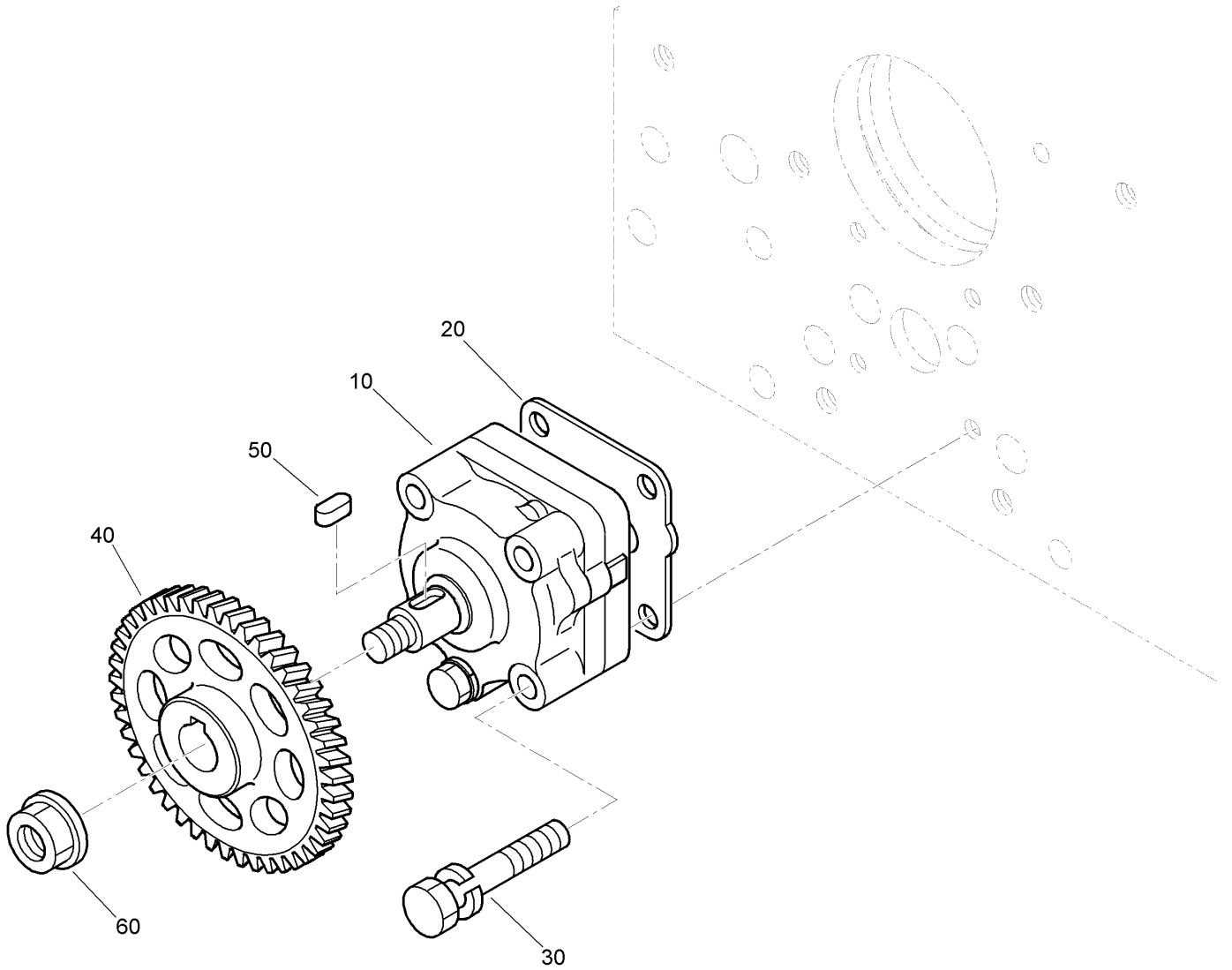
# Oil Dipstick and Guide Assembly



## Oil Dipstick and Guide Assembly (continued)

| <i>Ref.</i> | <i>Part Number</i> | <i>Qty.</i> | <i>Description</i> |
|-------------|--------------------|-------------|--------------------|
| 10          | 130-1565           | 1           | Gauge-Oil, Engine  |
| 20          | 105-4580           | 1           | Guide-Gauge, Oil   |
| 30          | 139-9638           | 1           | Plug-Gauge, Oil    |

# Oil Pump Assembly

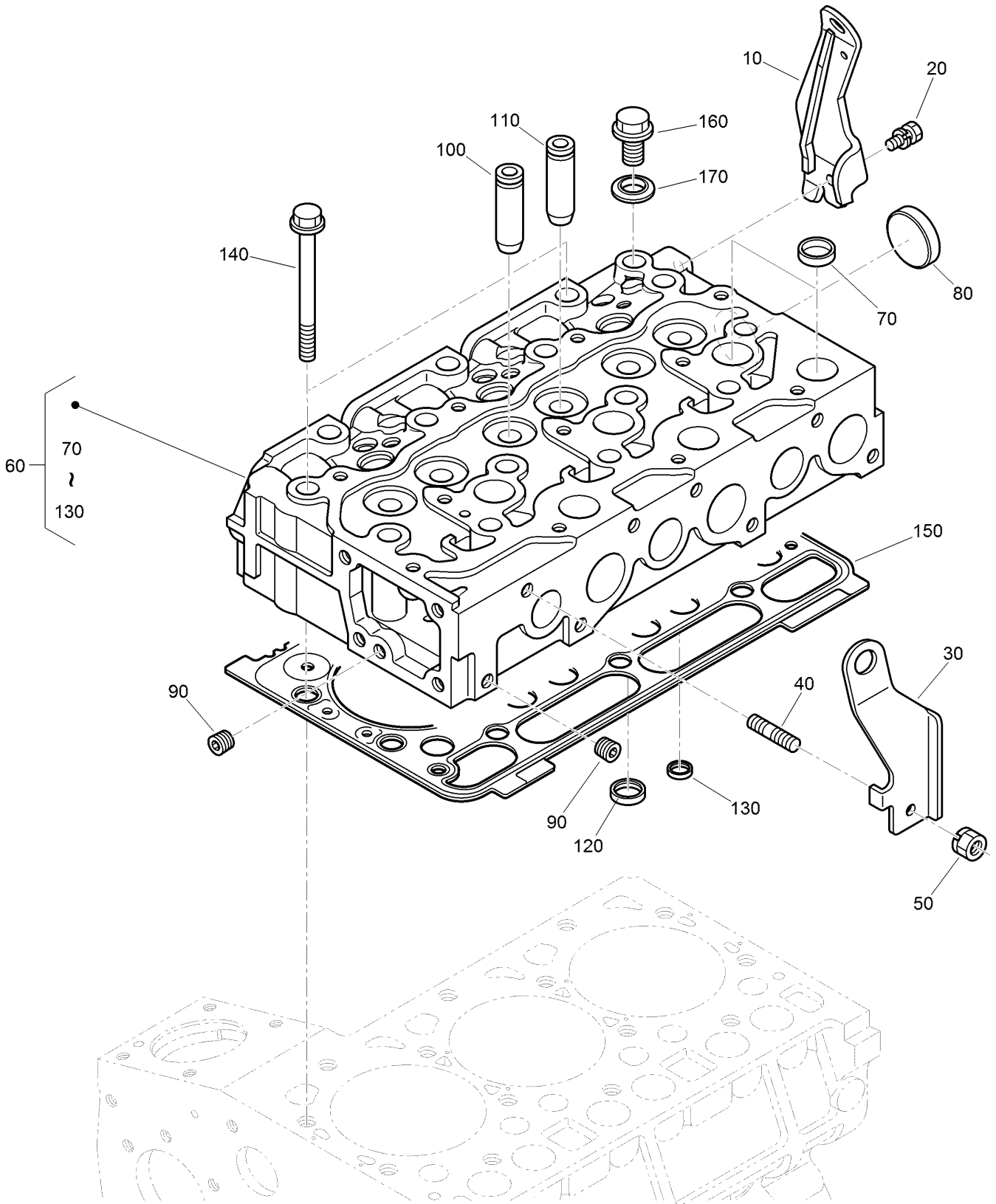




## Oil Pump Assembly (continued)

| <i>Ref.</i> | <i>Part Number</i> | <i>Qty.</i> | <i>Description</i> | <i>Ref.</i> | <i>Part Number</i> | <i>Qty.</i> | <i>Description</i>   |
|-------------|--------------------|-------------|--------------------|-------------|--------------------|-------------|----------------------|
| 10          | 139-9628           | 1           | Oil-Pump           | 40          | 130-1453           | 1           | Gear-Drive, Oil Pump |
| 20          | 139-9596           | 1           | Gasket-Pump, Oil   | 50          | 98-7517            | 1           | Key-Feather          |
| 30          | 125-9063           | 4           | Bolt-Sems          | 60          | 139-9528           | 1           | Nut                  |

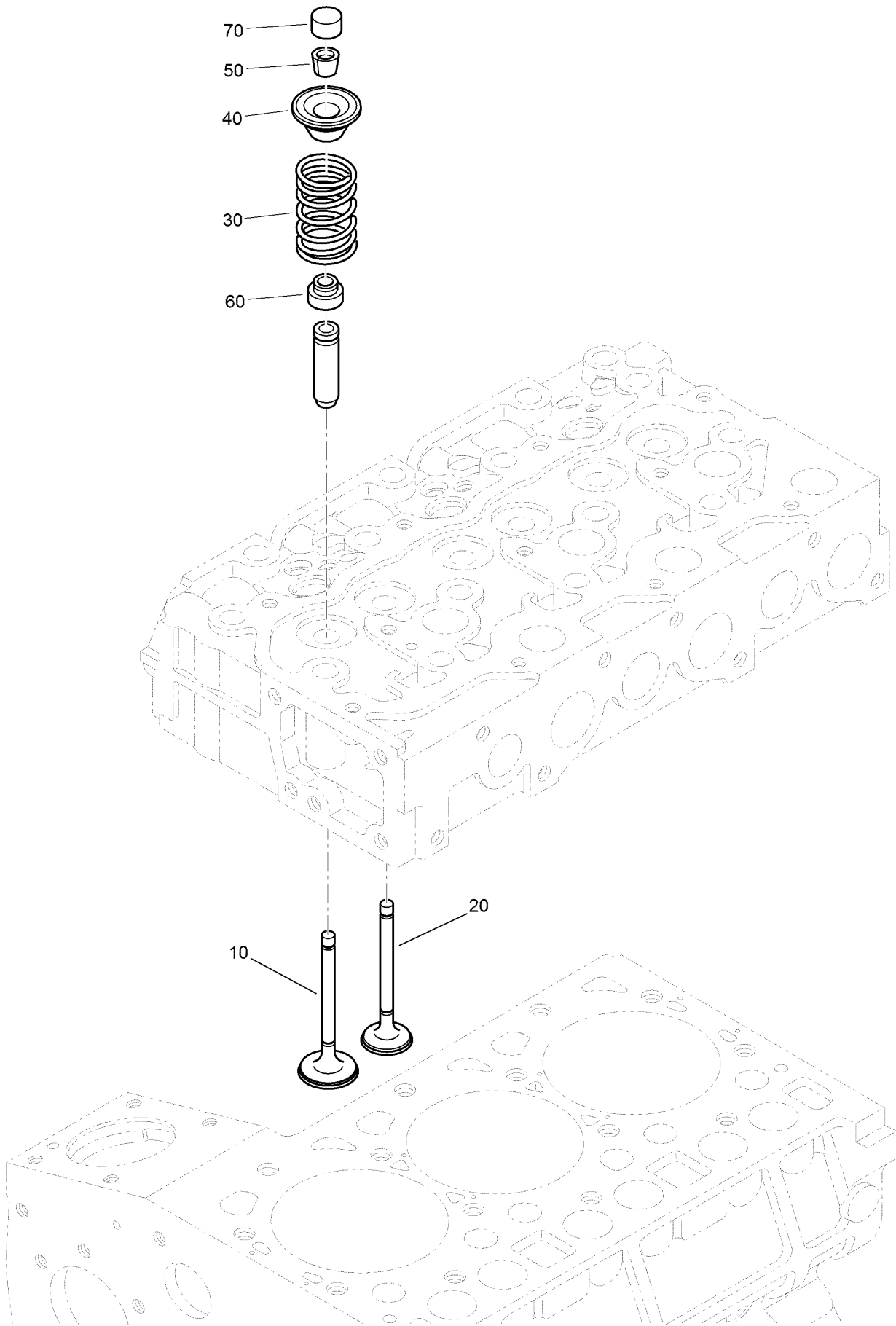
# Cylinder Head Assembly



## Cylinder Head Assembly (continued)

| <i>Ref.</i> | <i>Part Number</i> | <i>Qty.</i> | <i>Description</i>   | <i>Ref.</i> | <i>Part Number</i> | <i>Qty.</i> | <i>Description</i>    |
|-------------|--------------------|-------------|----------------------|-------------|--------------------|-------------|-----------------------|
| 10          | 139-4705           | 1           | Hook-Engine, Rear    | 120         | 139-9562           | 3           | Seat-Valve, Inlet     |
| 20          | 98-7526            | 1           | Bolt                 | 130         | 139-9561           | 3           | Seat-Valve, Exhaust   |
| 30          | 139-9756           | 1           | Hook-Engine, Front   | 140         | 139-9580           | 14          | Bolt-Head, Cylinder   |
| 40          | 139-9531           | 1           | Bolt-Stud            | 150         | 139-9645           | 1           | Gasket-Head, Cylinder |
| 50          | 100-9288           | 1           | Nut                  | 150         | 139-9644           | 1           | Gasket-Head, Cylinder |
| 60          | 139-9777           | 1           | Head-Cylinder        | 150         | 139-9646           | 1           | Gasket-Head, Cylinder |
| 70          | 139-9522           | 9           | Plug-Cup             | 150         | 139-9647           | 1           | Gasket-Head, Cylinder |
| 80          | 139-9523           | 1           | Cap-Sealing          | 150         | 139-9648           | 1           | Gasket-Head, Cylinder |
| 90          | 98-9687            | 2           | Plug                 | 160         | 98-7762            | 1           | Plug                  |
| 100         | 139-9665           | 3           | Guide-Valve, Inlet   | 170         | 99-7590            | 2           | Washer-Seal           |
| 110         | 139-9626           | 3           | Guide-Valve, Exhaust |             |                    |             |                       |

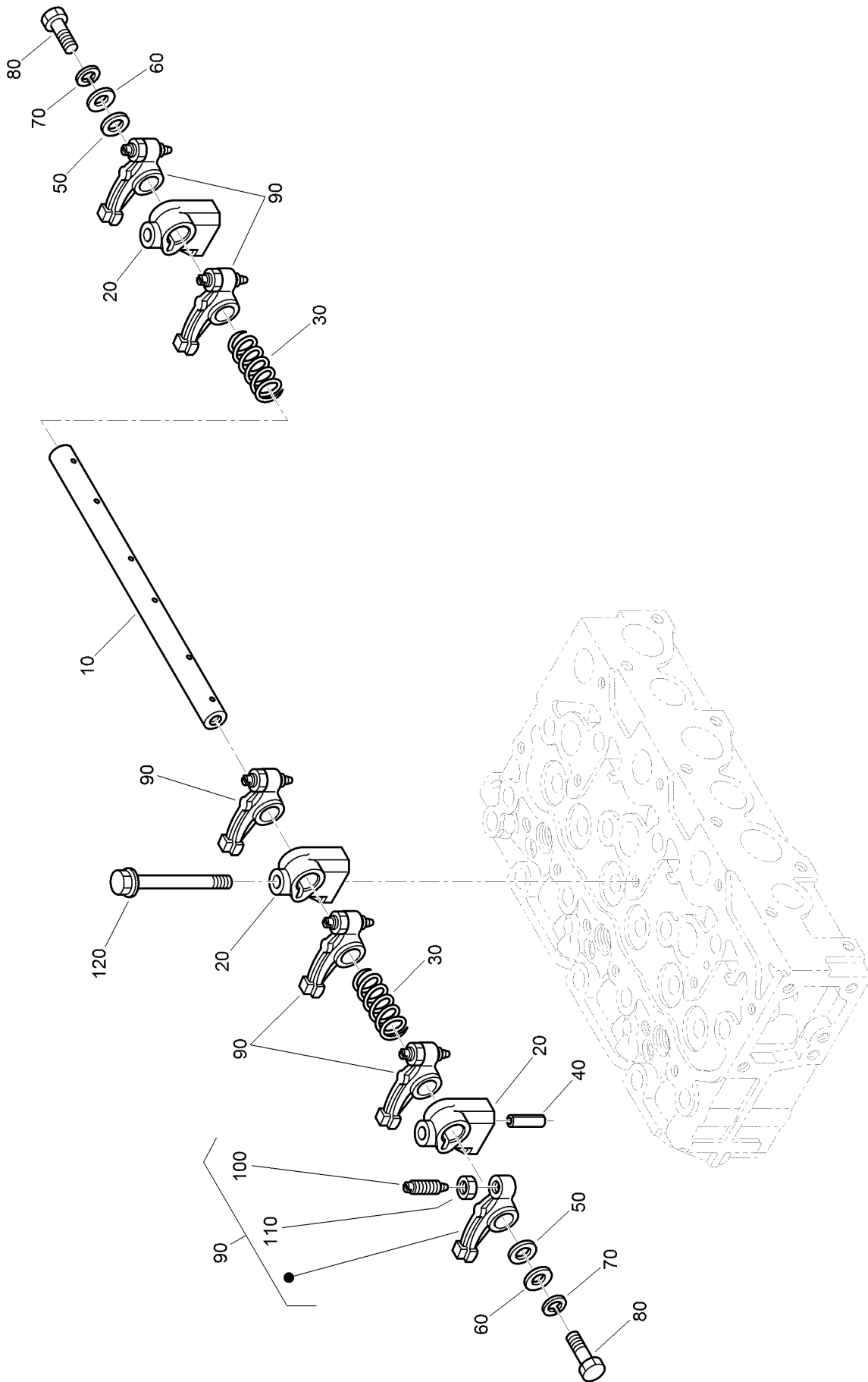
# Inlet and Exhaust Manifold Assembly



## Inlet and Exhaust Manifold Assembly (continued)

| <i>Ref.</i> | <i>Part Number</i> | <i>Qty.</i> | <i>Description</i>     | <i>Ref.</i> | <i>Part Number</i> | <i>Qty.</i> | <i>Description</i>   |
|-------------|--------------------|-------------|------------------------|-------------|--------------------|-------------|----------------------|
| 10          | 139-9660           | 3           | Valve-Inlet            | 50          | 139-9525           | 6           | Collet-Valve, Spring |
| 20          | 139-9661           | 3           | Valve-Exhaust          | 60          | 139-9524           | 6           | Seal-Stem, Valve     |
| 30          | 130-1450           | 6           | Spring-Valve           | 70          | 130-1451           | 6           | Cap-Valve            |
| 40          | 98-7794            | 6           | Retainer-Spring, Valve |             |                    |             |                      |

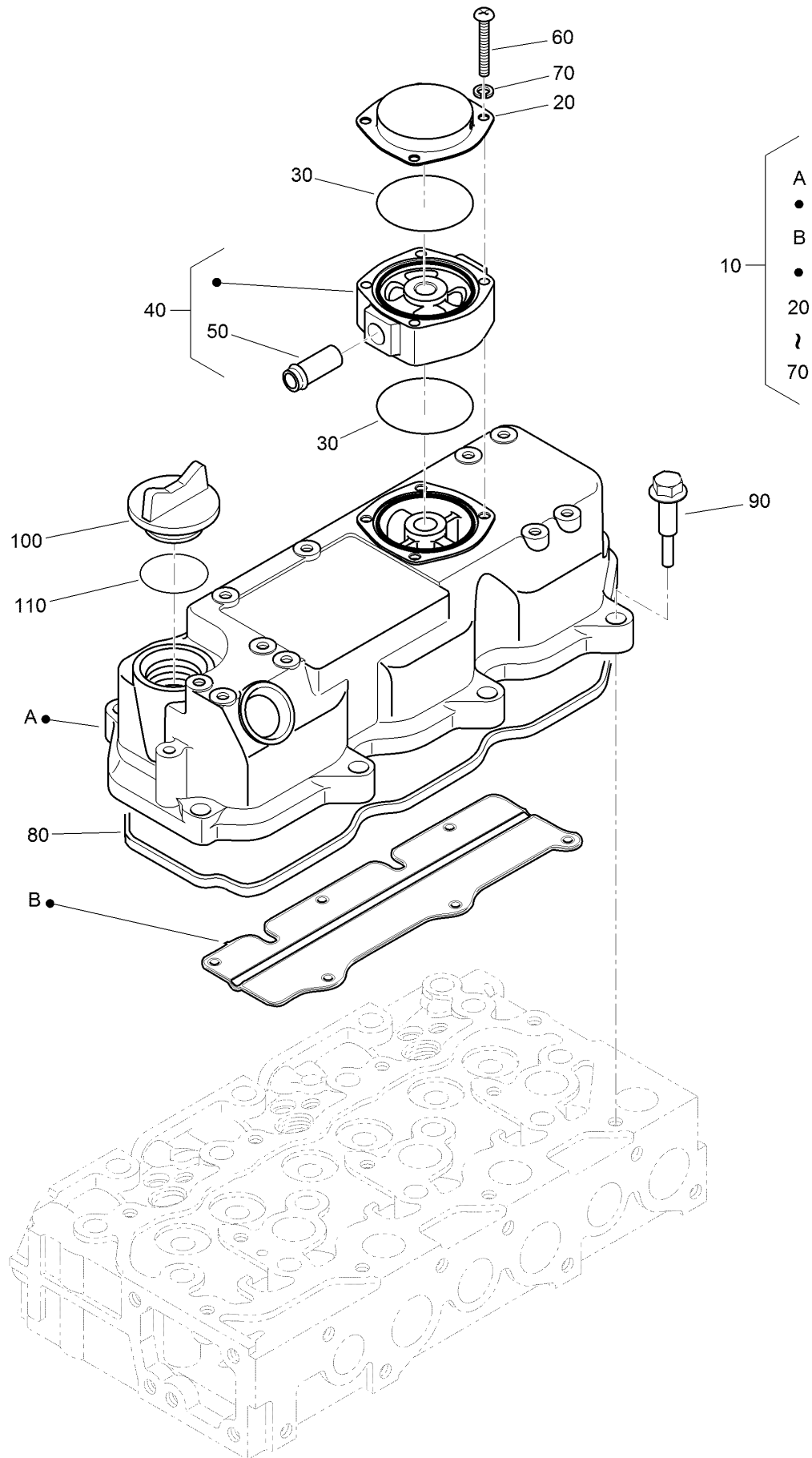
# Rocker Arm Assembly



## Rocker Arm Assembly (continued)

| <i>Ref.</i> | <i>Part Number</i> | <i>Qty.</i> | <i>Description</i>  | <i>Ref.</i> | <i>Part Number</i> | <i>Qty.</i> | <i>Description</i>  |
|-------------|--------------------|-------------|---------------------|-------------|--------------------|-------------|---------------------|
| 10          | 139-9592           | 1           | Shaft-Arm, Rocker   | 70          | 131-9579           | 2           | Washer-Spring, Lock |
| 20          | 139-9526           | 3           | Bracket-Arm, Rocker | 80          | 98-7884            | 2           | Bolt                |
| 30          | 98-7807            | 2           | Spring-Arm, Rocker  | 90          | 98-7809            | 6           | Rocker Arm ASM      |
| 40          | 98-7805            | 1           | Pin-Spring          | 100         | 130-1452           | 6           | Screw-Adjusting     |
| 50          | 98-7806            | 2           | Washer              | 110         | 98-7811            | 6           | Nut                 |
| 60          | 120-5832           | 2           | Washer-Plain        | 120         | 108-7091           | 3           | Bolt-Flange         |

# Cylinder Head Cover Assembly

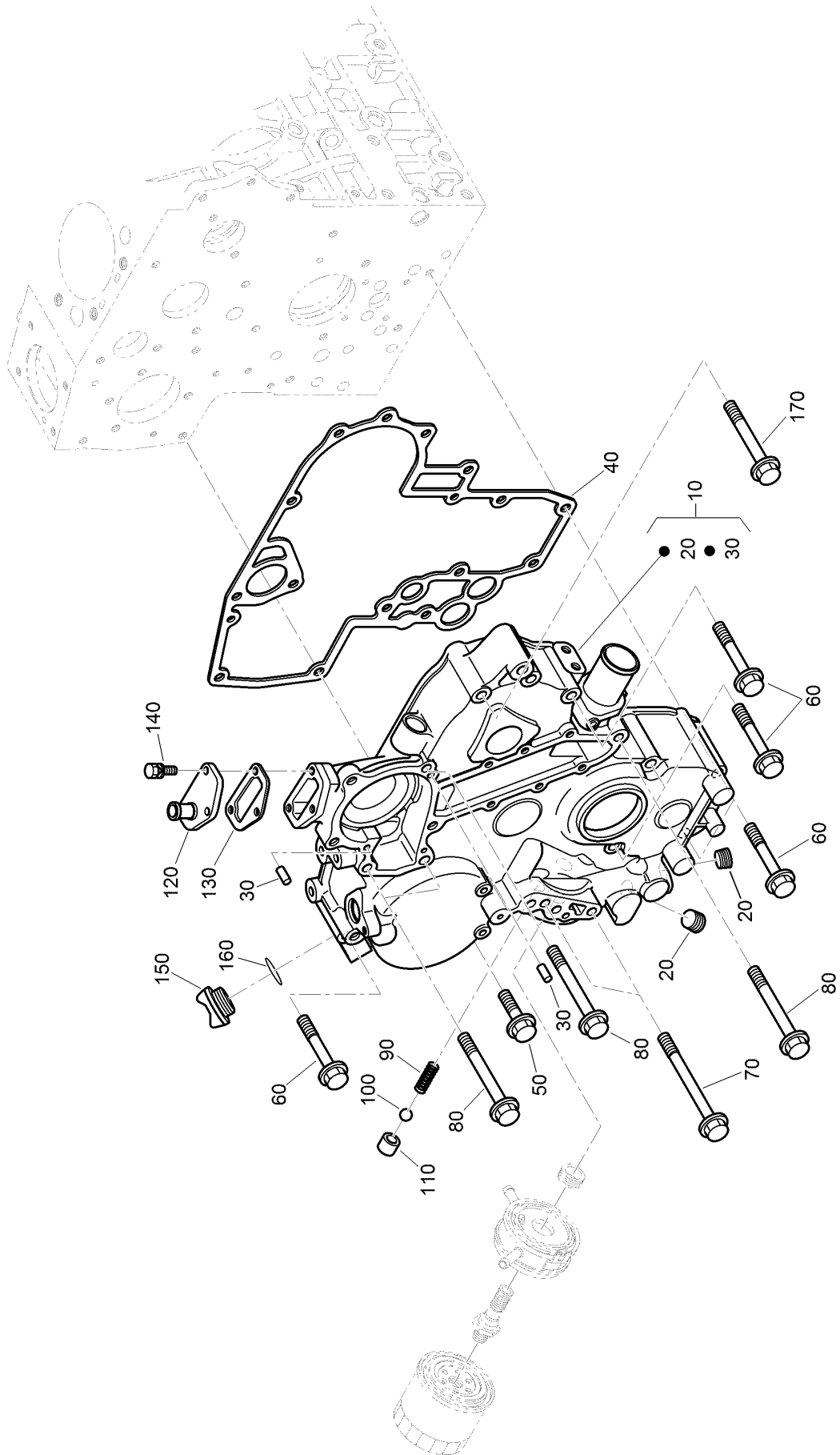




## Cylinder Head Cover Assembly (continued)

| <i>Ref.</i> | <i>Part Number</i> | <i>Qty.</i> | <i>Description</i>       | <i>Ref.</i> | <i>Part Number</i> | <i>Qty.</i> | <i>Description</i>  |
|-------------|--------------------|-------------|--------------------------|-------------|--------------------|-------------|---------------------|
| 10          | 139-9761           | 1           | Head Cover ASM           | 70          | 127-0408           | 4           | Washer-Lock, Spring |
| 20          | 139-9643           | 1           | Cover-Breather           | 80          | 139-9593           | 1           | Gasket-Cover, Head  |
| 30          | 108-7061           | 2           | O Ring-Breather          | 90          | 108-7063           | 8           | Bolt                |
| 40          | 139-9747           | 1           | Spacer-Breather          | 100         | 98-9449            | 1           | Plug-Filler, Oil    |
| 50          | 139-9578           | 1           | Pipe-Return, Water       | 110         | 108-7064           | 1           | O-Ring              |
| 60          | 139-9508           | 4           | Screw-Phillips, Pan Head |             |                    |             |                     |

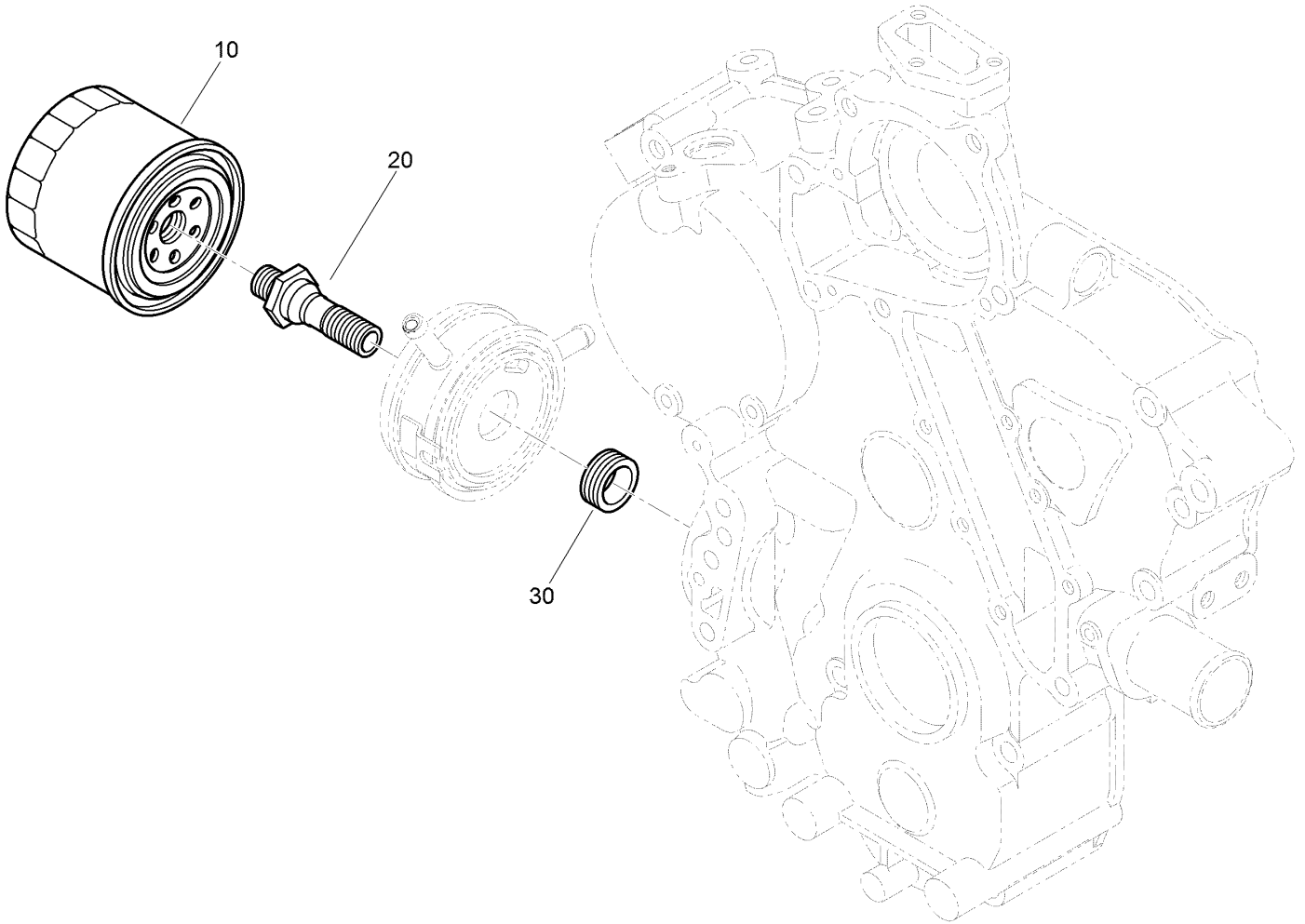
# Gear Case Assembly



## Gear Case Assembly (continued)

| <i>Ref.</i> | <i>Part Number</i> | <i>Qty.</i> | <i>Description</i> | <i>Ref.</i> | <i>Part Number</i> | <i>Qty.</i> | <i>Description</i>    |
|-------------|--------------------|-------------|--------------------|-------------|--------------------|-------------|-----------------------|
| 10          | 139-9629           | 1           | Case-Gear          | 100         | 139-9533           | 1           | Seat-Valve            |
| 20          | 127-0425           | 2           | Plug               | 110         | 98-7565            | 1           | Ball                  |
| 30          | 98-7504            | 2           | Pin-Straight       | 120         | 139-9534           | 1           | Flange-Return, Water  |
| 40          | 139-9727           | 1           | Gasket-Case, Gear  | 130         | 139-9598           | 1           | Gasket-Flange, Return |
| 50          | 108-7085           | 1           | Bolt-Flange        | 140         | 98-7568            | 3           | Bolt                  |
| 60          | 139-9602           | 6           | Bolt-Sems          | 150         | 98-9449            | 1           | Plug-Filler, Oil      |
| 70          | 139-9654           | 2           | Bolt-Sems          | 160         | 108-7064           | 1           | O-Ring                |
| 80          | 115-8520           | 4           | Bolt-Flange        | 170         | 139-9543           | 1           | Bolt-Hex              |
| 90          | 139-9529           | 1           | Spring             |             |                    |             |                       |

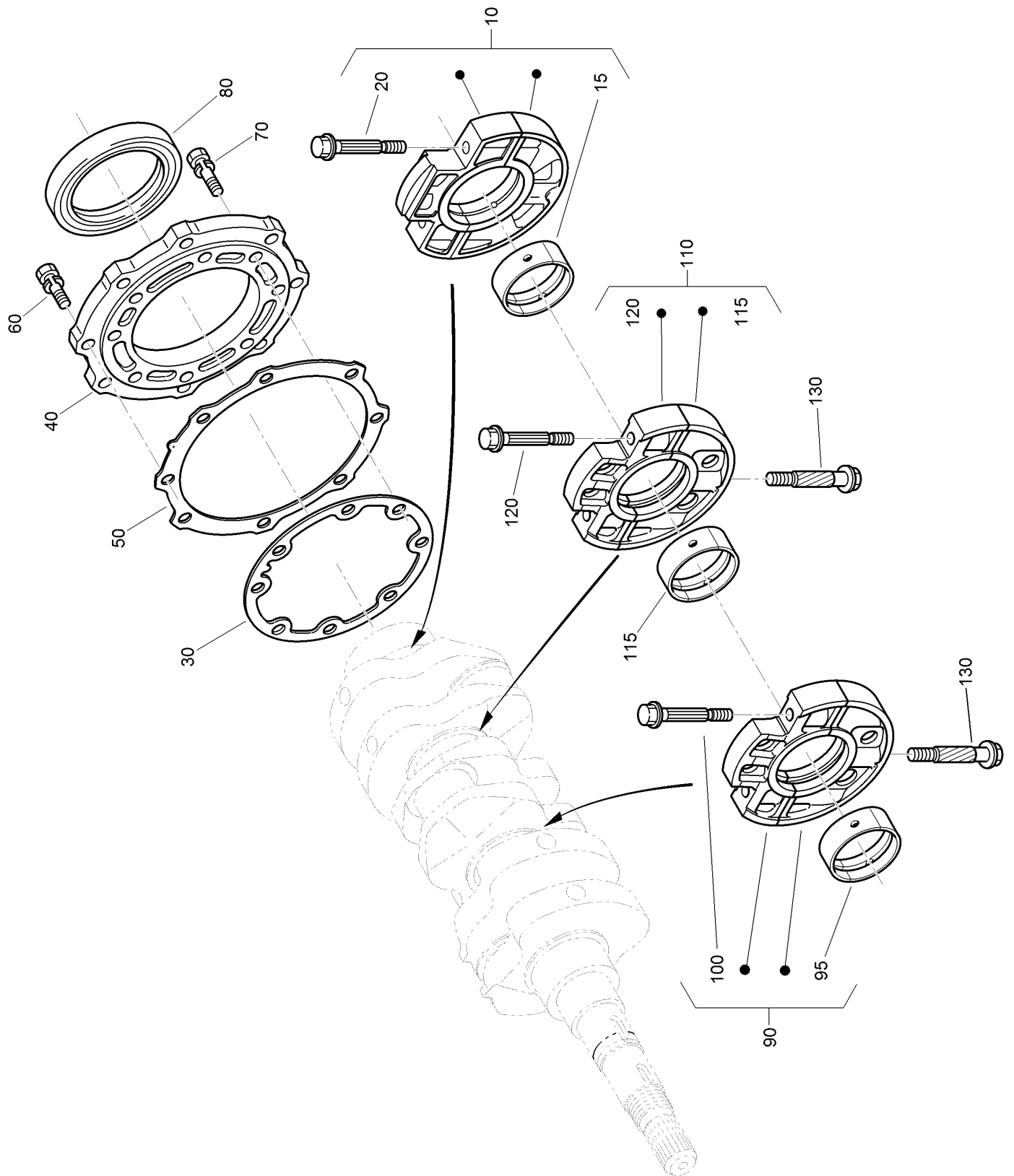
# Oil Filter Cartridge Assembly



## Oil Filter Cartridge Assembly (continued)

| <i>Ref.</i> | <i>Part Number</i> | <i>Qty.</i> | <i>Description</i> |
|-------------|--------------------|-------------|--------------------|
| 10          | 104-5169           | 1           | Filter-Oil         |
| 20          | 139-9641           | 1           | Connector          |
| 30          | 139-9668           | 1           | Collar             |

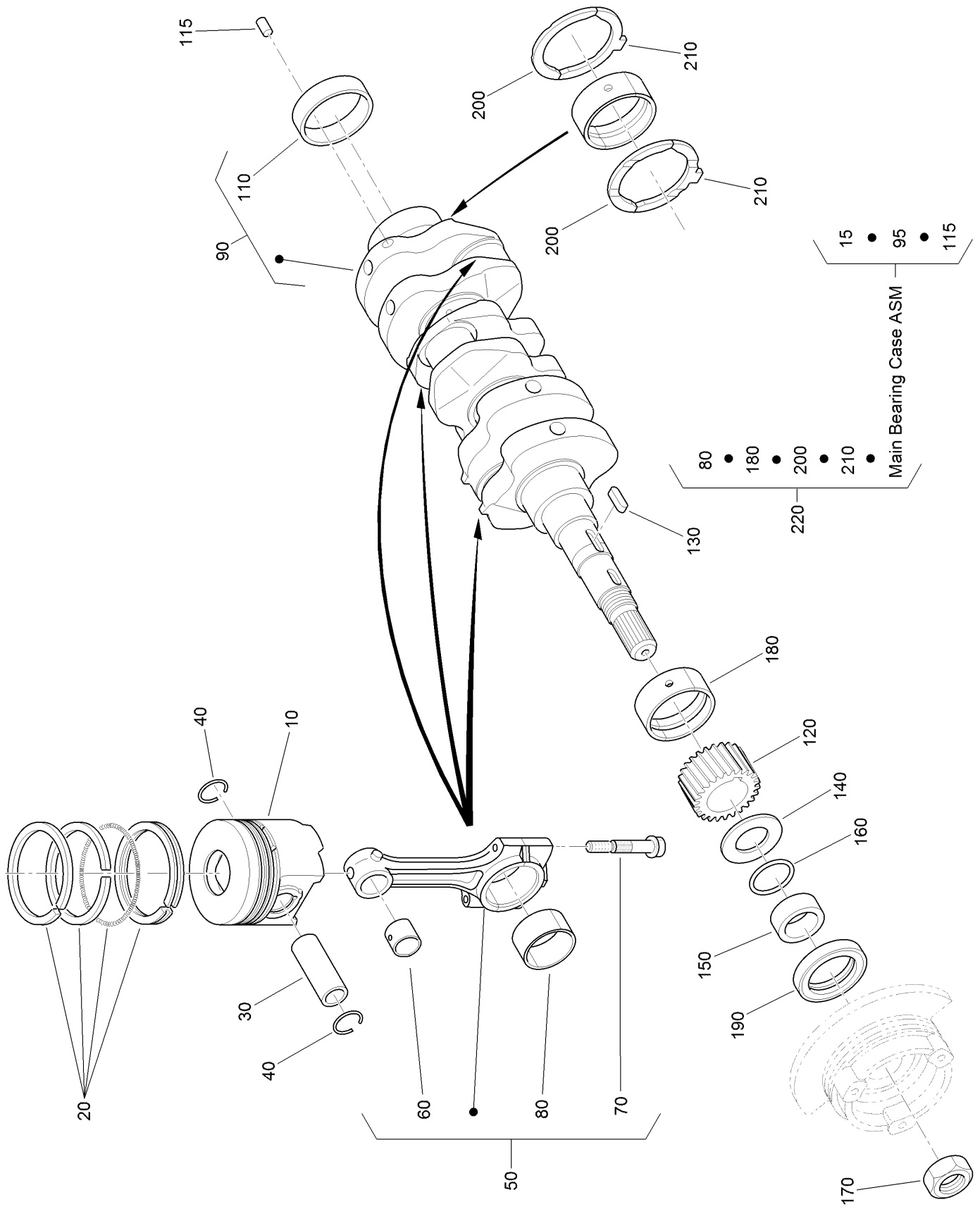
# Main Bearing Case Assembly



## Main Bearing Case Assembly (continued)

| <i>Ref.</i> | <i>Part Number</i> | <i>Qty.</i> | <i>Description</i>            | <i>Ref.</i> | <i>Part Number</i> | <i>Qty.</i> | <i>Description</i>         |
|-------------|--------------------|-------------|-------------------------------|-------------|--------------------|-------------|----------------------------|
| 10          | 139-9610           | 1           | Wheel Bearing Case ASM        | 80          | 139-9542           | 1           | Seal-Oil                   |
| 10          | 139-9798           | 3           | Piston (05)                   | 90          | 139-9606           | 1           | Case-Bearing, Main         |
| 15          | 139-9614           | 1           | Metal-Crankshaft              | 95          | 139-9614           | 1           | Metal-Crankshaft           |
| 15          | 108-7068           | 1           | Metal-Crankshaft (-0.20MM)    | 95          | 108-7068           | 1           | Metal-Crankshaft (-0.20MM) |
| 15          | 108-7069           | 1           | Metal-Crankshaft (-0.40MM)    | 95          | 108-7069           | 1           | Metal-Crankshaft (-0.40MM) |
| 20          | 108-7066           | 2           | Bolt-Case, Bearing            | 100         | 108-7066           | 2           | Bolt-Case, Bearing         |
| 30          | 98-7435            | 1           | Gasket-Case, Bearing          | 110         | 139-9607           | 1           | Main Bearing Case ASM      |
| 40          | 139-9659           | 1           | Cover-Case, Bearing           | 115         | 139-9614           | 1           | Metal-Crankshaft           |
| 50          | 98-7437            | 1           | Gasket-Case Cover,<br>Bearing | 115         | 108-7068           | 1           | Metal-Crankshaft (-0.20MM) |
| 60          | 98-7438            | 8           | Bolt                          | 115         | 108-7069           | 1           | Metal-Crankshaft (-0.40MM) |
| 70          | 98-7439            | 8           | Bolt                          | 120         | 108-7066           | 2           | Bolt-Case, Bearing         |
|             |                    |             |                               | 130         | 98-7444            | 2           | Bolt-Case, Bearing         |

# Piston and Crankshaft Assembly

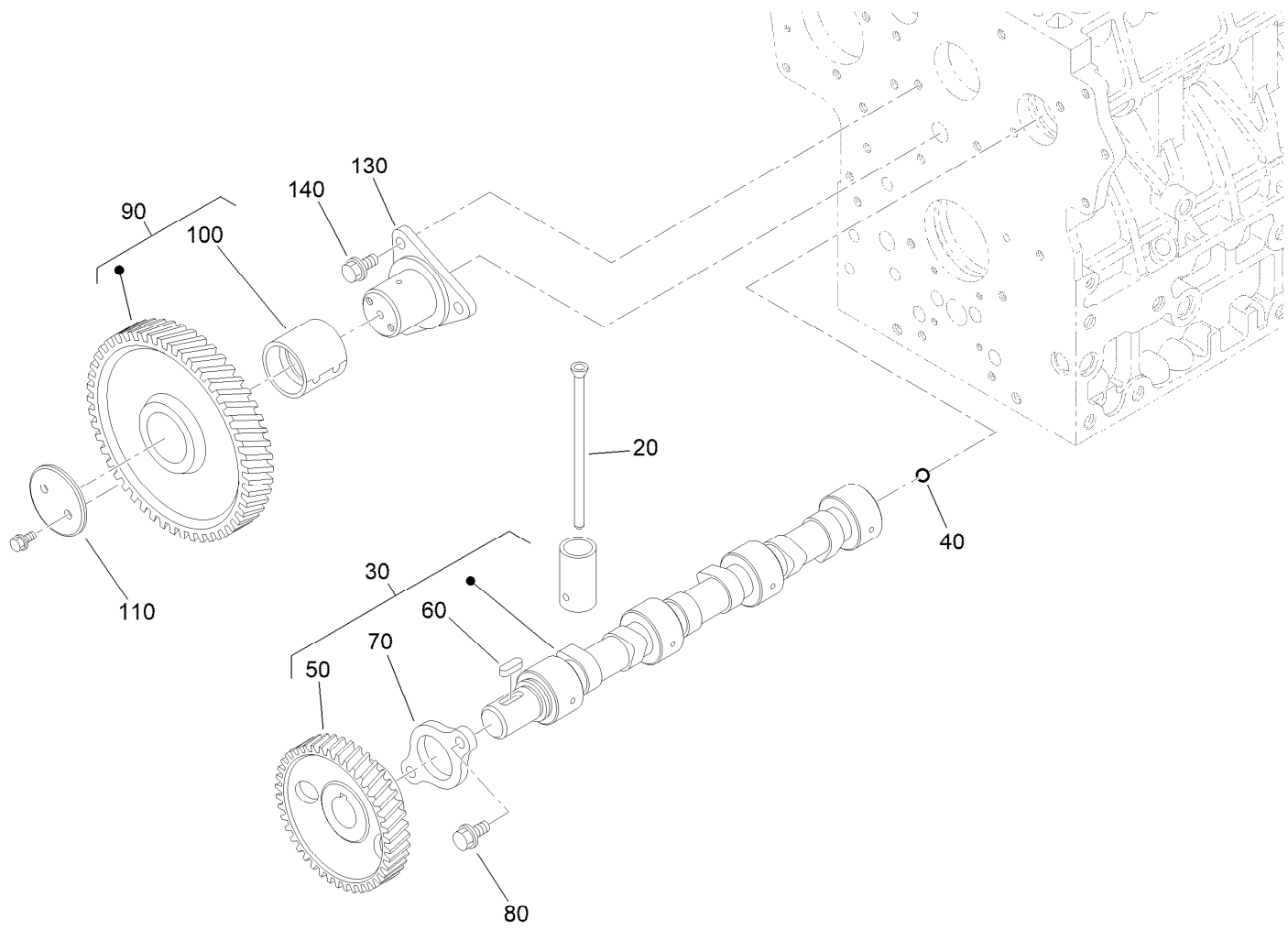




## Piston and Crankshaft Assembly (continued)

| <i>Ref.</i> | <i>Part Number</i> | <i>Qty.</i> | <i>Description</i>   | <i>Ref.</i> | <i>Part Number</i> | <i>Qty.</i> | <i>Description</i>         |
|-------------|--------------------|-------------|----------------------|-------------|--------------------|-------------|----------------------------|
| 10          | 139-9799           | 3           | Piston (05)          | 150         | 98-7477            | 1           | Collar-Crankshaft          |
| 20          | 139-9674           | 3           | Piston Ring ASM      | 160         | 98-7478            | 1           | O-Ring                     |
| 20          | 139-9675           | 3           | Piston Ring ASM      | 170         | 98-7479            | 1           | Nut-Crankshaft             |
| 30          | 139-9594           | 3           | Pin-Piston           | 180         | 139-9613           | 1           | Metal-Crankshaft           |
| 40          | 139-9634           | 6           | Circlip-Internal     | 180         | 108-7076           | 1           | Metal-Crankshaft (-0.20MM) |
| 50          | 130-1470           | 3           | Connecting Rod ASM   | 180         | 108-7077           | 1           | Metal-Crankshaft (-0.40MM) |
| 60          | 139-9676           | 3           | Bushing-Pin, Piston  | 190         | 139-4709           | 1           | Seal-Oil                   |
| 70          | 139-9694           | 6           | Bolt-Rod, Connecting | 200         | 139-9615           | 2           | Metal-Side                 |
| 80          | 139-9575           | 3           | Metal-Crankpin       | 200         | 108-7079           | 2           | Metal-Side (+0.20MM)       |
| 80          | 139-9576           | 3           | Metal-Crankpin (02)  | 200         | 108-7080           | 2           | Metal-Side (+0.40MM)       |
| 80          | 139-9577           | 3           | Metal-Crankpin (04)  | 210         | 139-9616           | 2           | Metal-Side                 |
| 90          | 139-9653           | 1           | Crankshaft           | 210         | 108-7082           | 2           | Metal-Side (+0.20MM)       |
| 110         | 98-7474            | 1           | Sleeve-Crankshaft    | 210         | 108-7083           | 2           | Metal-Side (+0.40MM)       |
| 115         | 139-9595           | 1           | Pin-Straight         | 220         | 139-9655           | 1           | Engine Metal Kit           |
| 120         | 139-4712           | 1           | Gear-Crankshaft      | 220         | 108-7076           | 1           | Metal-Crankshaft (-0.20MM) |
| 130         | 115-8552           | 1           | Key-Feather          | 220         | 139-9656           | 1           | Engine Metal Kit           |
| 140         | 98-7476            | 1           | Slinger-Oil          |             |                    |             |                            |

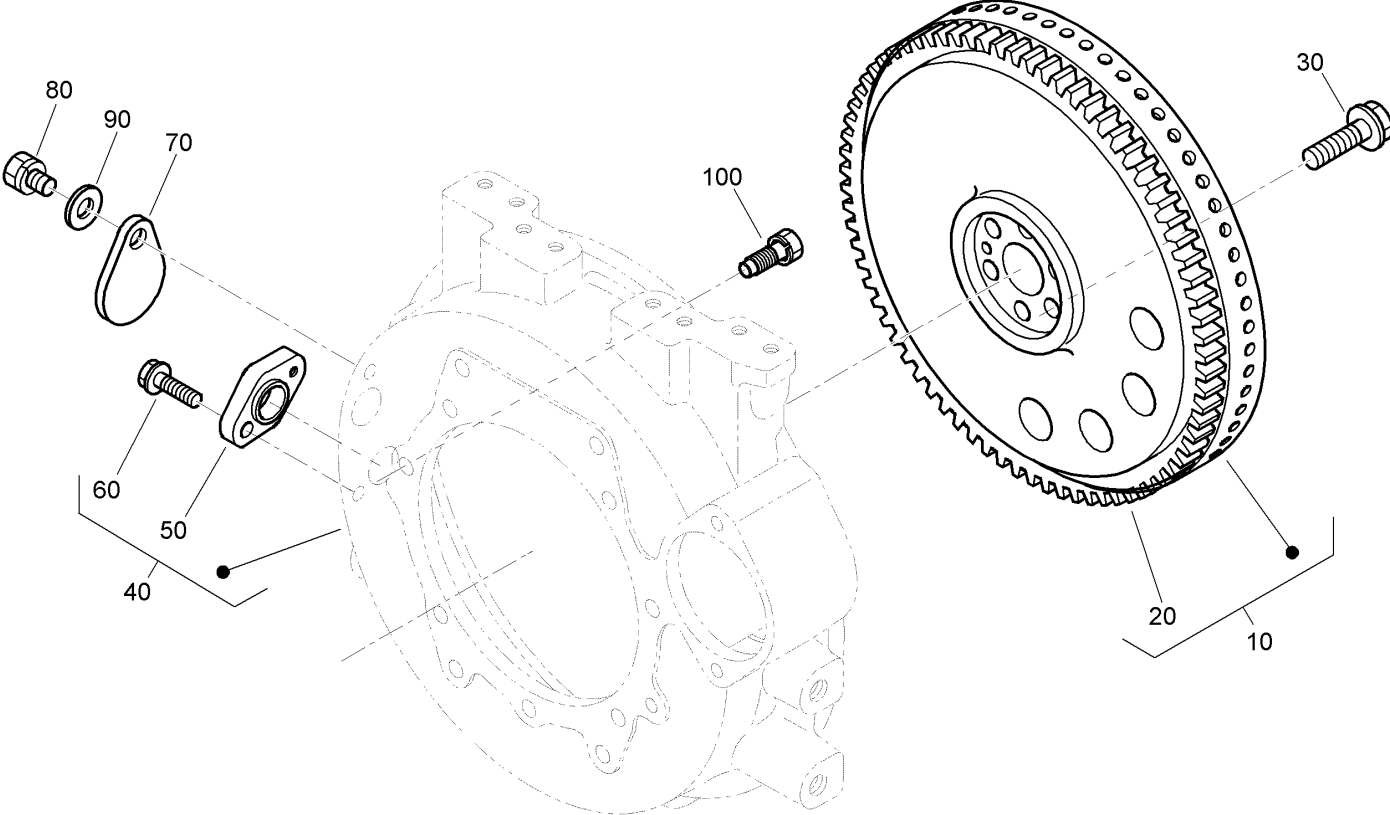
# Cam Shaft and Idle Gear Assembly



## Cam Shaft and Idle Gear Assembly (continued)

| <i>Ref.</i> | <i>Part Number</i> | <i>Qty.</i> | <i>Description</i> | <i>Ref.</i> | <i>Part Number</i> | <i>Qty.</i> | <i>Description</i> |
|-------------|--------------------|-------------|--------------------|-------------|--------------------|-------------|--------------------|
| 20          | 139-9611           | 6           | Rod-Push           | 80          | 130-1159           | 2           | Bolt-Flange        |
| 30          | 139-9652           | 1           | Camshaft ASM       | 90          | 139-4710           | 1           | Gear-Idle          |
| 40          | 110-3729           | 1           | Ball               | 100         | 130-1559           | 1           | Bushing-Gear, Idle |
| 50          | 139-9612           | 1           | Gear-Camshaft      | 110         | 130-1556           | 1           | Collar-Gear, Idle  |
| 60          | 98-7451            | 1           | Key-Feather        | 130         | 130-1332           | 1           | Shaft-Gear, Idle   |
| 70          | 139-9527           | 1           | Stopper-Camshaft   | 140         | 130-1159           | 3           | Bolt-Flange        |

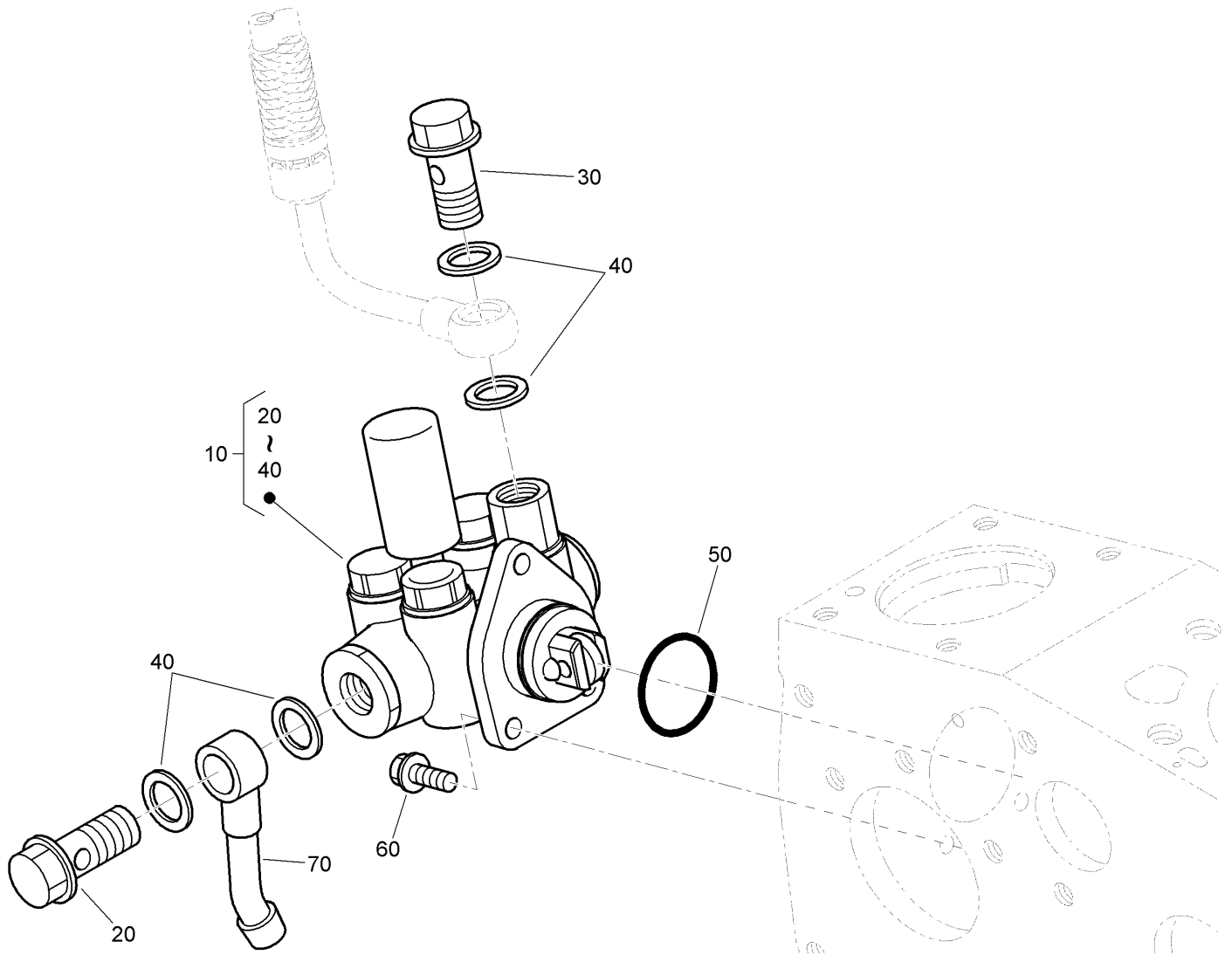
# Flywheel Assembly



## Flywheel Assembly (continued)

| <i>Ref.</i> | <i>Part Number</i> | <i>Qty.</i> | <i>Description</i> | <i>Ref.</i> | <i>Part Number</i> | <i>Qty.</i> | <i>Description</i>  |
|-------------|--------------------|-------------|--------------------|-------------|--------------------|-------------|---------------------|
| 10          | 139-9763           | 1           | Flywheel           | 60          | 115-8583           | 1           | Bolt-Flange         |
| 20          | 139-9597           | 1           | Gear-Ring          | 70          | 100-2177           | 1           | Cover               |
| 30          | 139-9671           | 6           | Bolt-Flywheel      | 80          | 98-7884            | 1           | Bolt                |
| 40          | 139-9728           | 1           | Housing-Flywheel   | 90          | 131-9579           | 1           | Washer-Spring, Lock |
| 50          | 139-9743           | 1           | Bracket-Sensor     | 100         | 139-9541           | 11          | Bolt                |

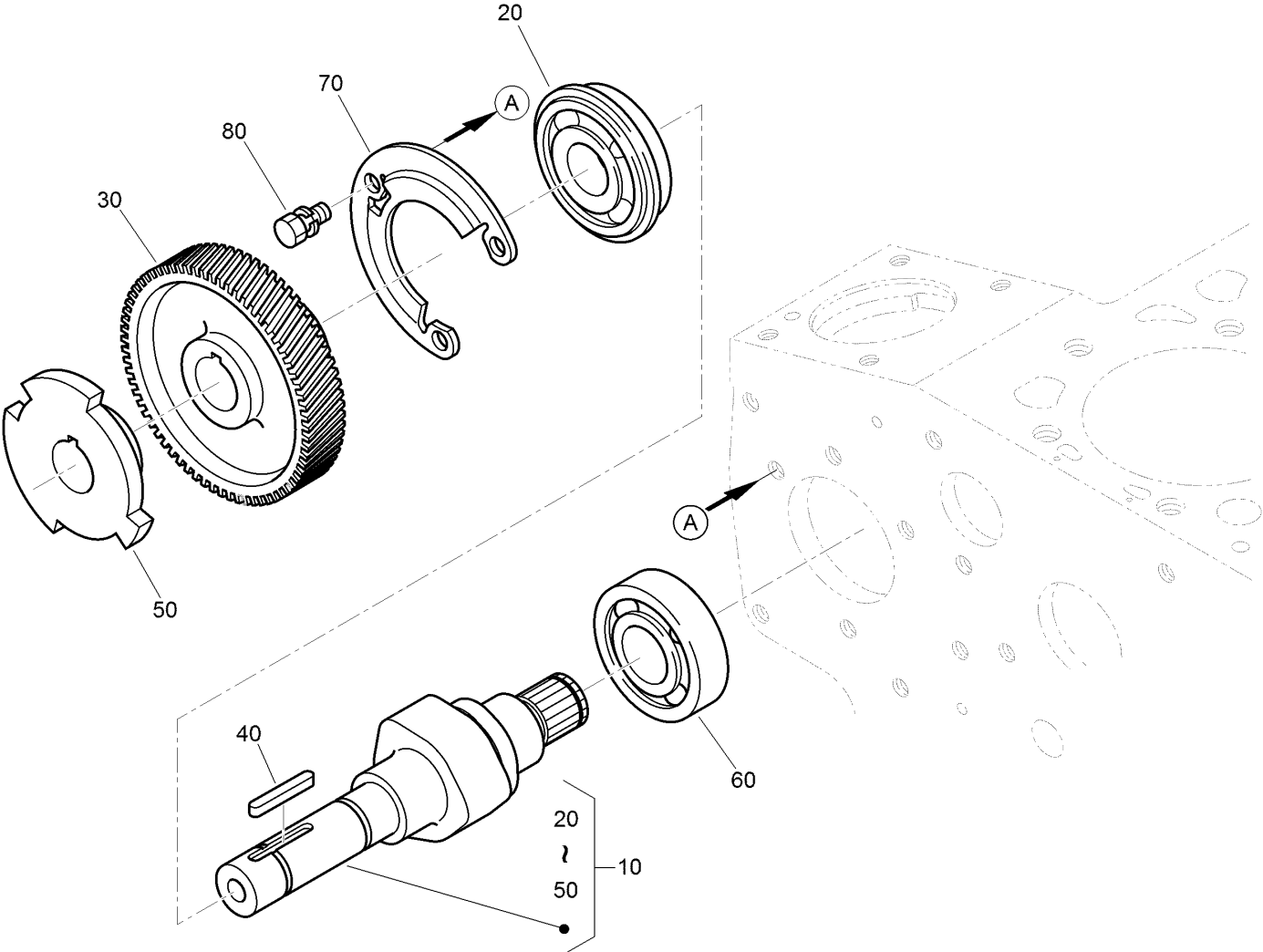
# Fuel Pump (Mechanical) Assembly



## Fuel Pump (Mechanical) Assembly (continued)

| <i>Ref.</i> | <i>Part Number</i> | <i>Qty.</i> | <i>Description</i> | <i>Ref.</i> | <i>Part Number</i> | <i>Qty.</i> | <i>Description</i> |
|-------------|--------------------|-------------|--------------------|-------------|--------------------|-------------|--------------------|
| 10          | 139-9740           | 1           | Fuel Pump ASM      | 50          | 139-9581           | 1           | O-Ring             |
| 20          | 139-9723           | 1           | Bolt-Joint         | 60          | 127-0403           | 3           | Bolt-Flange        |
| 30          | 139-9724           | 1           | Bolt-Joint         | 70          | 139-9530           | 1           | Pipe               |
| 40          | 139-9705           | 4           | Gasket-Joint, Pipe |             |                    |             |                    |

# Fuel Camshaft Assembly

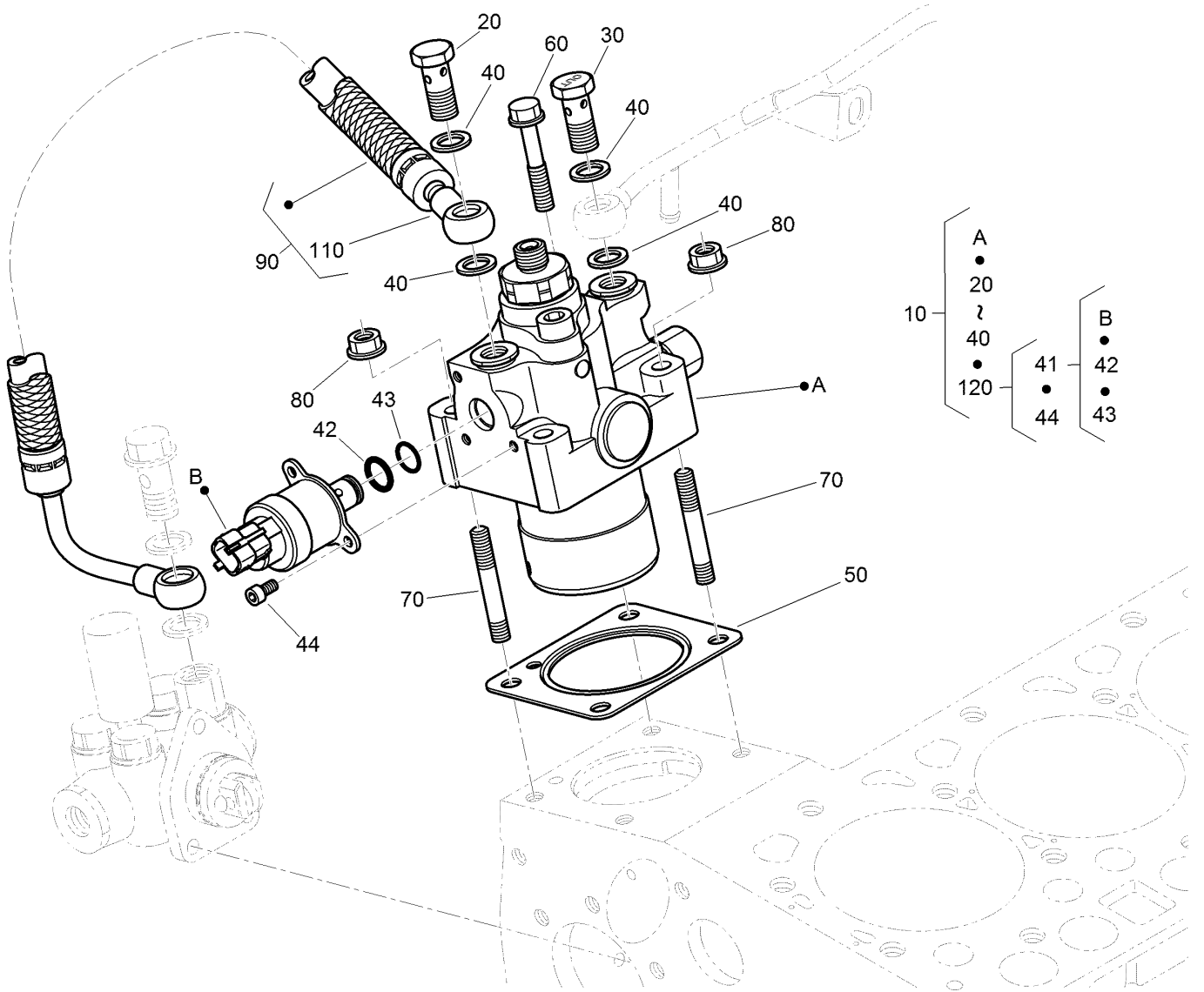




## Fuel Camshaft Assembly (continued)

| <i>Ref.</i> | <i>Part Number</i> | <i>Qty.</i> | <i>Description</i> | <i>Ref.</i> | <i>Part Number</i> | <i>Qty.</i> | <i>Description</i>     |
|-------------|--------------------|-------------|--------------------|-------------|--------------------|-------------|------------------------|
| 10          | 139-9762           | 1           | Fuel Camshaft ASM  | 50          | 139-9732           | 1           | Wheel                  |
| 20          | 139-9677           | 1           | Bearing-Ball       | 60          | 139-9664           | 1           | Bearing-Ball           |
| 30          | 139-9708           | 1           | Gear               | 70          | 139-9701           | 1           | Stopper-Camshaft, Fuel |
| 40          | 139-9513           | 1           | Key-Feather        | 80          | AU126123A1         | 3           | Bolt                   |

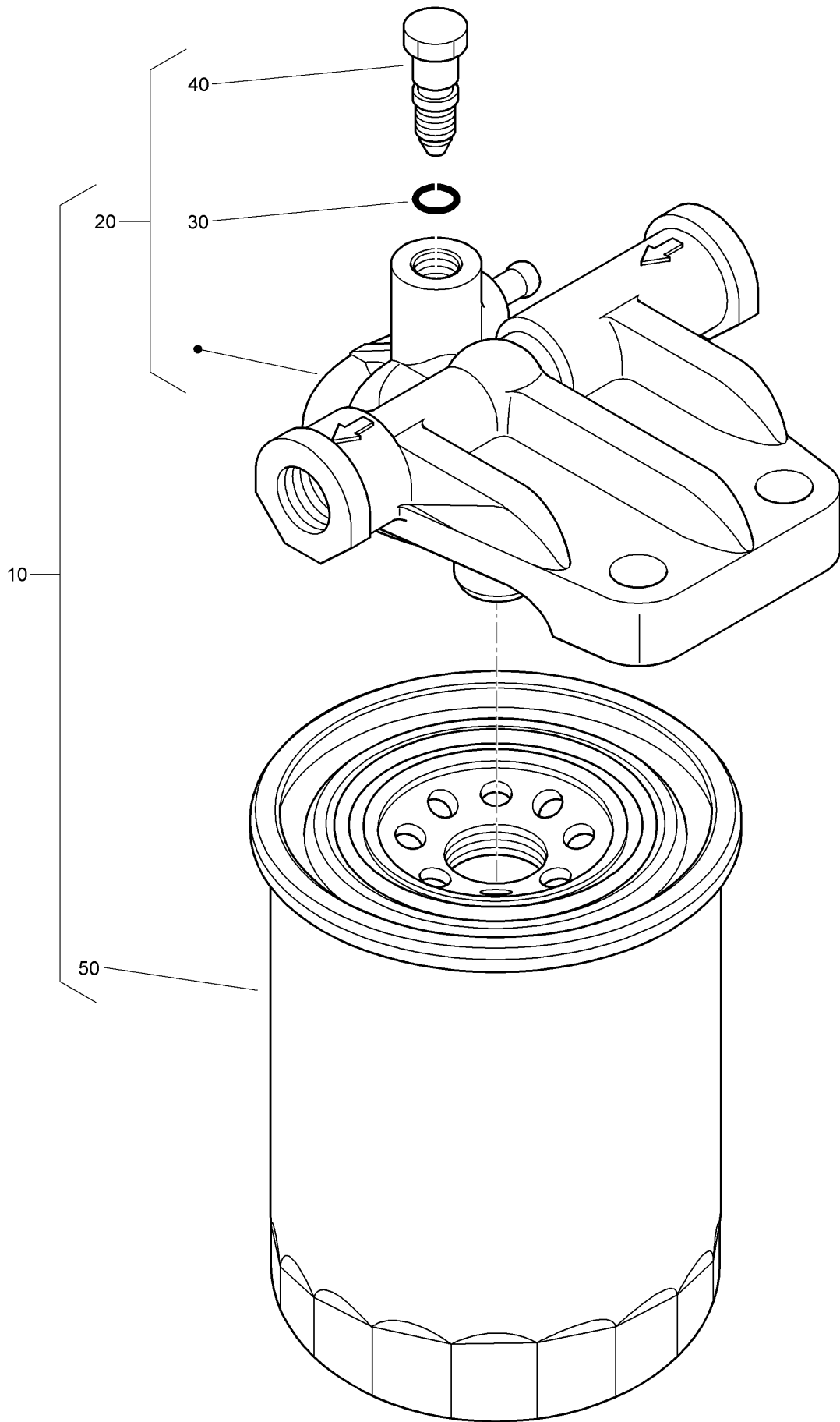
# Supply Pump Assembly



## Supply Pump Assembly (continued)

| <i>Ref.</i> | <i>Part Number</i> | <i>Qty.</i> | <i>Description</i> | <i>Ref.</i> | <i>Part Number</i> | <i>Qty.</i> | <i>Description</i> |
|-------------|--------------------|-------------|--------------------|-------------|--------------------|-------------|--------------------|
| 10          | 139-9738           | 1           | Supply Pump ASM    | 50          | 139-9709           | 1           | Gasket-Pump        |
| 20          | 139-9721           | 1           | Bolt-Joint         | 60          | 139-9717           | 2           | Bolt-Flange        |
| 30          | 139-9722           | 1           | Bolt-Joint         | 70          | 139-9719           | 2           | Stud               |
| 40          | 139-9707           | 4           | Gasket             | 80          | 112-2492           | 2           | Nut-Flange         |
| 41          | 139-9739           | 1           | Valve ASM          | 90          | 139-4707           | 1           | Fuel Hose ASM      |
| 42          | 139-9725           | 1           | O-Ring (Scv 1)     | 110         | 139-9632           | 1           | Fuel Hose          |
| 43          | 139-9726           | 1           | O-Ring (Scv 2)     | 120         | 139-9745           | 1           | Valve Kit          |
| 44          | 139-9718           | 3           | Bolt               |             |                    |             |                    |

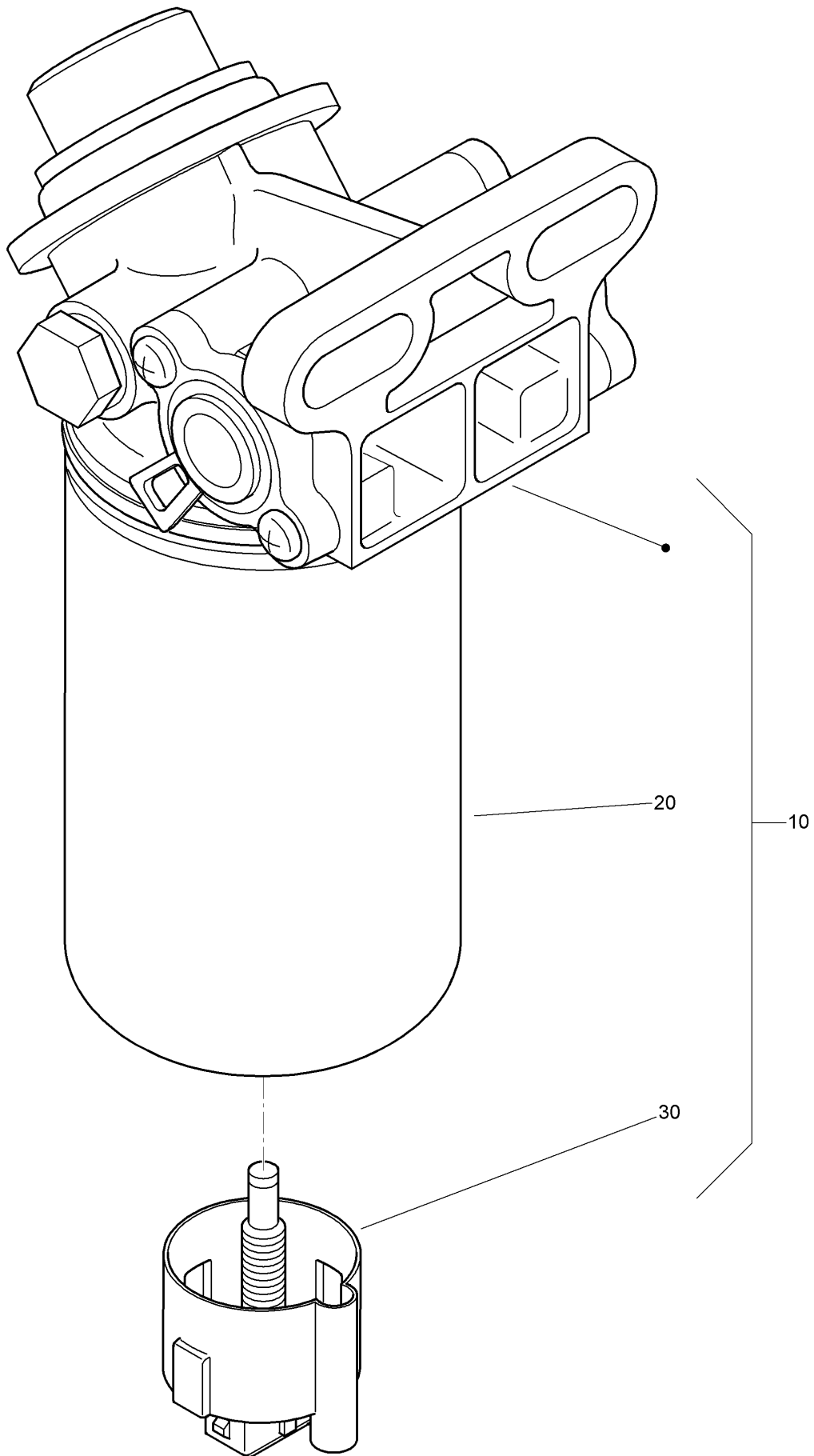
# Fuel Filter Assembly



## Fuel Filter Assembly (continued)

| <i>Ref.</i> | <i>Part Number</i> | <i>Qty.</i> | <i>Description</i> | <i>Ref.</i> | <i>Part Number</i> | <i>Qty.</i> | <i>Description</i>     |
|-------------|--------------------|-------------|--------------------|-------------|--------------------|-------------|------------------------|
| 10          | 136-4733           | 1           | Filter-Fuel        | 40          | 139-4720           | 1           | Plug                   |
| 20          | 139-9703           | 1           | Base-Filter        | 50          | 136-4891           | 1           | Cartridge-Filter, Fuel |
| 30          | 139-9706           | 1           | O-Ring             |             |                    |             |                        |

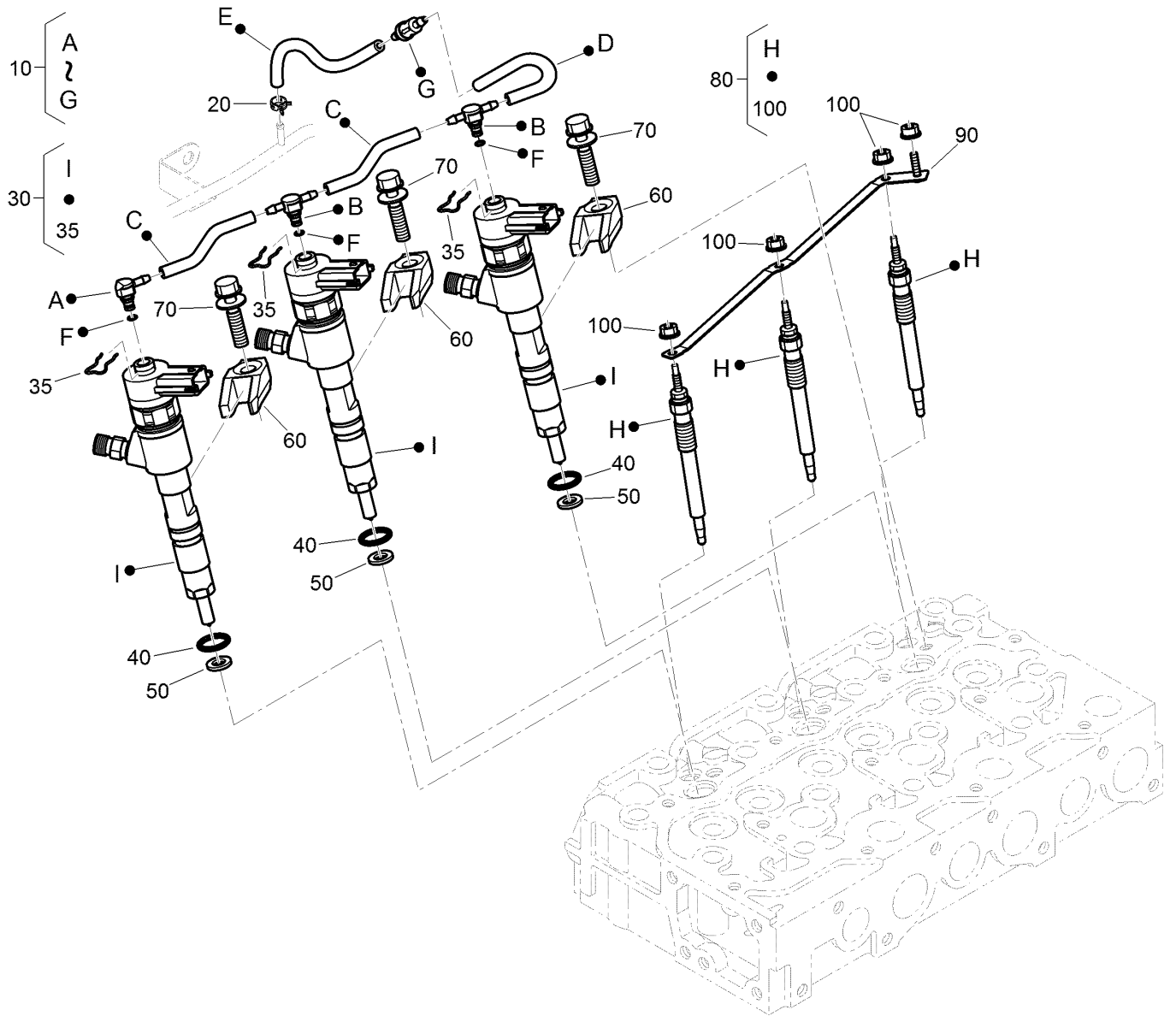
# Separator Assembly



## Separator Assembly (continued)

| <i>Ref.</i> | <i>Part Number</i> | <i>Qty.</i> | <i>Description</i>      |
|-------------|--------------------|-------------|-------------------------|
| 10          | 136-4734           | 1           | Filter-Seperator, Water |
| 20          | 136-4892           | 1           | Filter-Separator        |
| 30          | 139-9684           | 1           | Switch ASM              |

# Injector and Glow Plug Assembly

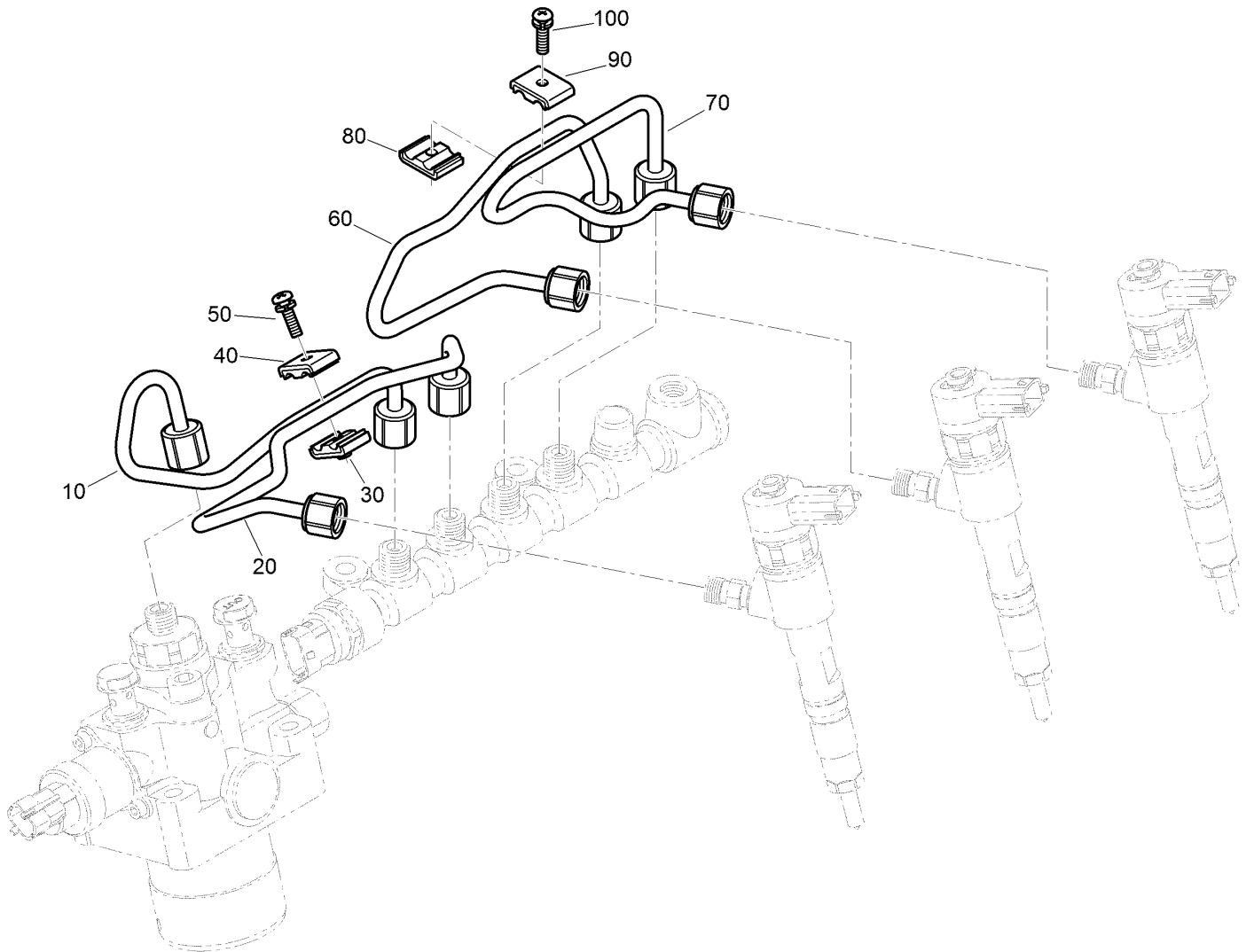




## Injector and Glow Plug Assembly (continued)

| <i>Ref.</i> | <i>Part Number</i> | <i>Qty.</i> | <i>Description</i> | <i>Ref.</i> | <i>Part Number</i> | <i>Qty.</i> | <i>Description</i> |
|-------------|--------------------|-------------|--------------------|-------------|--------------------|-------------|--------------------|
| 10          | 139-9764           | 1           | Over Flow Tube ASM | 60          | 139-9710           | 3           | Clamp              |
| 20          | 139-9514           | 1           | Clamp-Hose         | 70          | 139-9711           | 3           | Bolt ASM           |
| 30          | 139-4700           | 3           | Injector ASM       | 80          | 139-9662           | 3           | Plug-Glow          |
| 35          | 139-9702           | 3           | Clamp              | 90          | 139-9769           | 1           | Cord-Plug, Glow    |
| 40          | 139-9712           | 3           | O-Ring             | 100         | 99-8377            | 4           | Nut-Flange         |
| 50          | 139-9651           | 3           | Packing            |             |                    |             |                    |

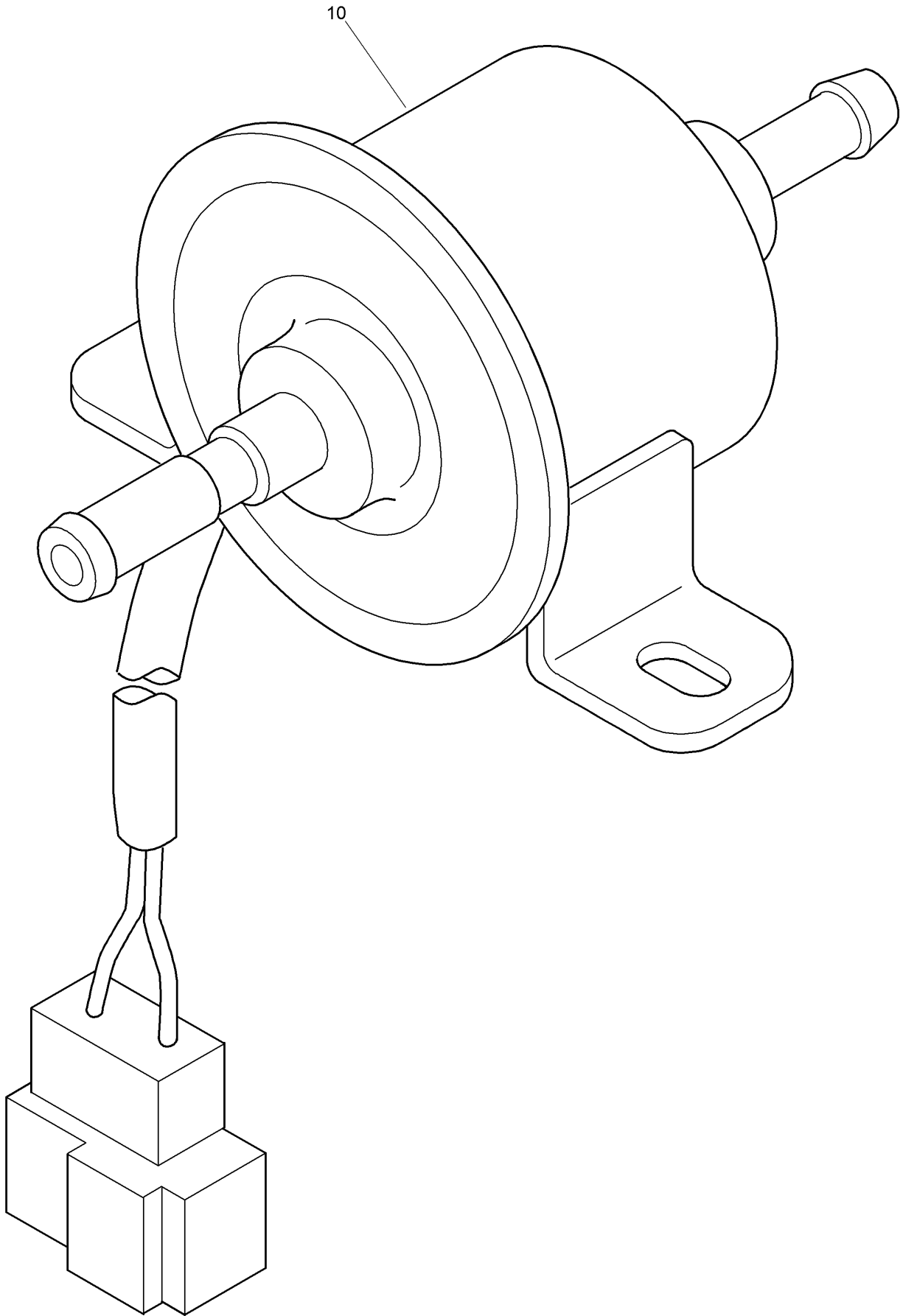
# Injection Pipe Assembly



## Injection Pipe Assembly (continued)

| <i>Ref.</i> | <i>Part Number</i> | <i>Qty.</i> | <i>Description</i> | <i>Ref.</i> | <i>Part Number</i> | <i>Qty.</i> | <i>Description</i> |
|-------------|--------------------|-------------|--------------------|-------------|--------------------|-------------|--------------------|
| 10          | 139-9741           | 1           | Pipe               | 60          | 139-9714           | 1           | Pipe-Injection     |
| 20          | 139-9713           | 1           | Pipe-Injection     | 70          | 139-9715           | 1           | Pipe-Injection     |
| 30          | 139-9535           | 1           | Clamp-Pipe         | 80          | 139-9535           | 1           | Clamp-Pipe         |
| 40          | 139-9536           | 1           | Clamp-Pipe         | 90          | 139-9536           | 1           | Clamp-Pipe         |
| 50          | 98-7684            | 1           | Screw (W/Washer)   | 100         | 98-7684            | 1           | Screw (W/Washer)   |

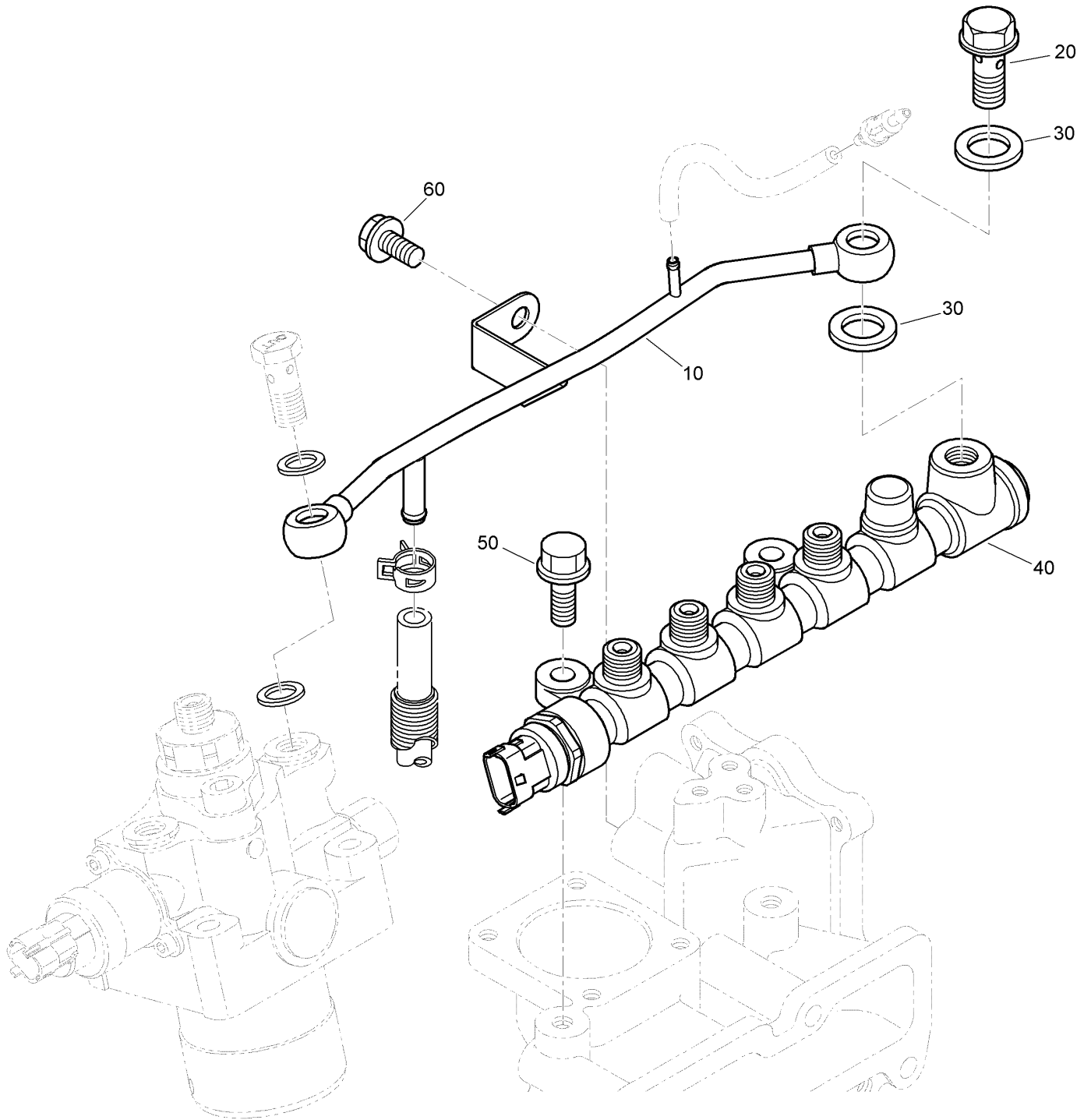
# Fuel Pump (Electrical) Assembly



# Fuel Pump (Electrical) Assembly (continued)

| <i>Ref.</i> | <i>Part Number</i> | <i>Qty.</i> | <i>Description</i> |
|-------------|--------------------|-------------|--------------------|
| 10          | 136-4736           | 1           | Pump-Fuel          |

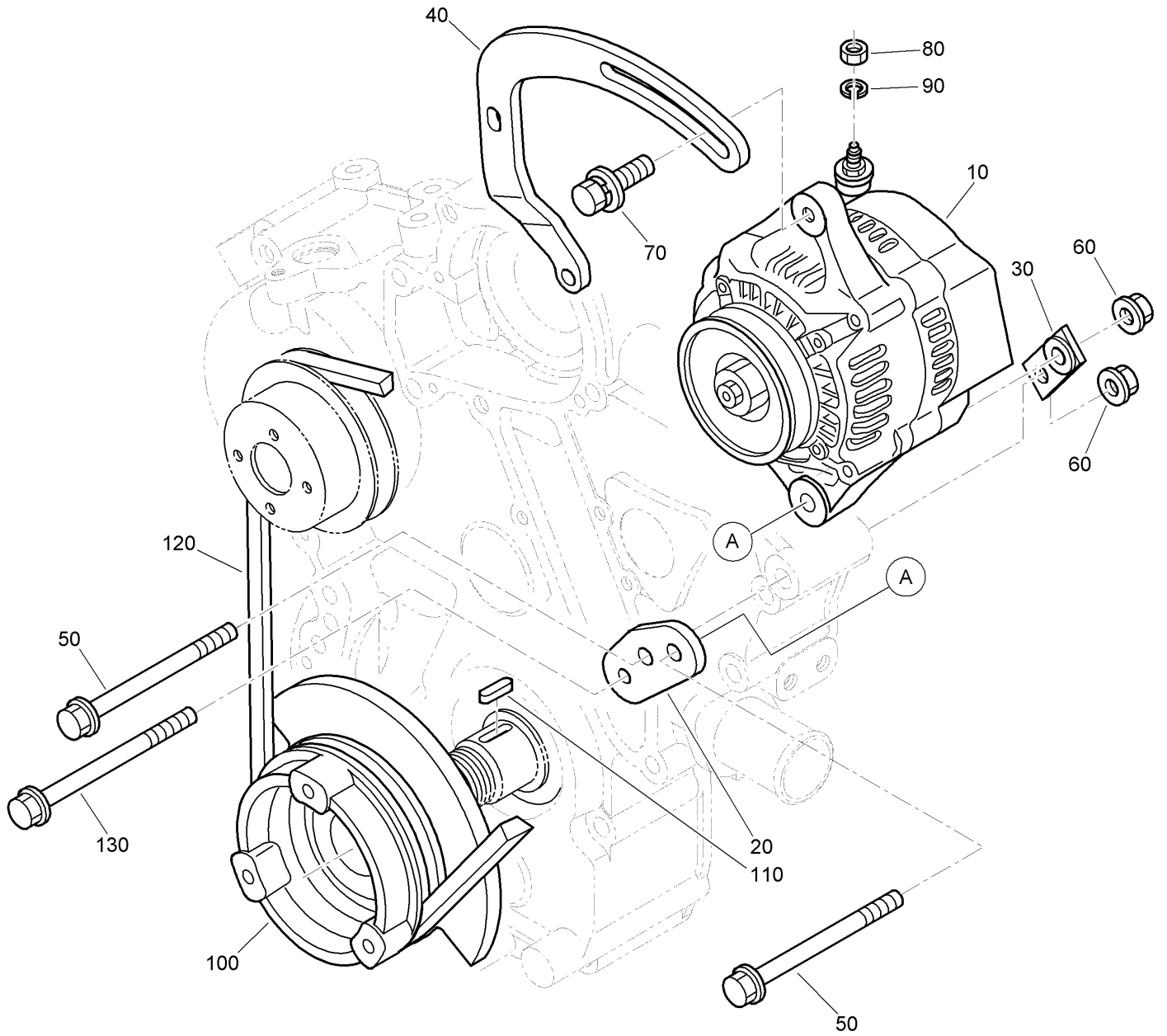
# Common Rail Assembly



## Common Rail Assembly (continued)

| <i>Ref.</i> | <i>Part Number</i> | <i>Qty.</i> | <i>Description</i>    | <i>Ref.</i> | <i>Part Number</i> | <i>Qty.</i> | <i>Description</i> |
|-------------|--------------------|-------------|-----------------------|-------------|--------------------|-------------|--------------------|
| 10          | 139-9765           | 1           | Pipe-Over Flow, Water | 40          | 139-9766           | 1           | Rail ASM           |
| 20          | 139-9720           | 1           | Bolt-Joint            | 50          | 139-9502           | 2           | Bolt-Flange        |
| 30          | 139-9707           | 2           | Gasket                | 60          | 130-1159           | 1           | Bolt-Flange        |

# Alternator and Pulley Assembly

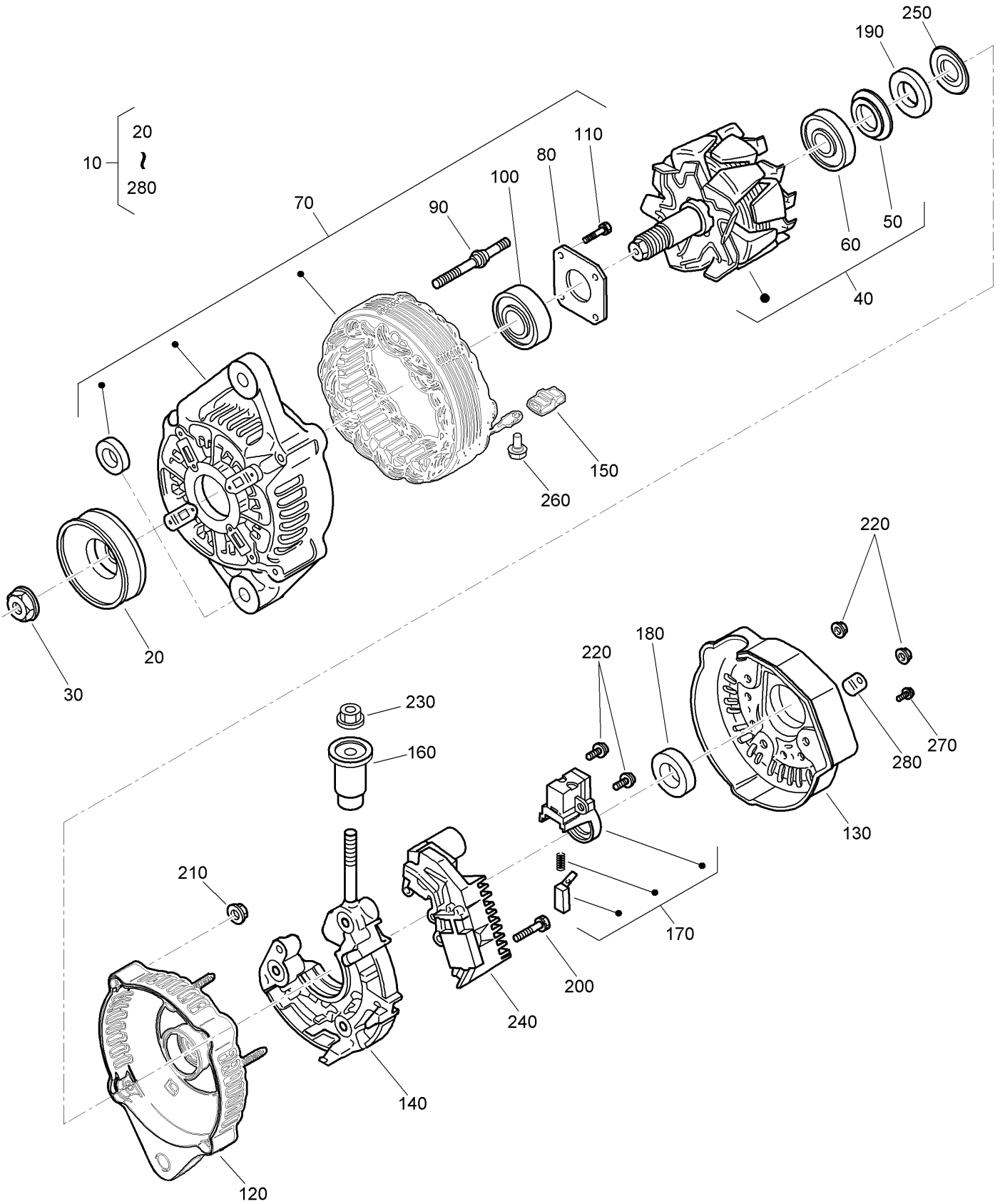




## Alternator and Pulley Assembly (continued)

| <i>Ref.</i> | <i>Part Number</i> | <i>Qty.</i> | <i>Description</i> | <i>Ref.</i> | <i>Part Number</i> | <i>Qty.</i> | <i>Description</i> |
|-------------|--------------------|-------------|--------------------|-------------|--------------------|-------------|--------------------|
| 10          | 139-9582           | 1           | Alternator ASM     | 80          | 98-7572            | 1           | Nut                |
| 20          | 139-9630           | 1           | Support-Alternator | 90          | 98-7699            | 1           | Washer-Spring      |
| 30          | 139-9683           | 1           | Stay-Alternator    | 100         | 139-9657           | 1           | Pulley-Drive, Fan  |
| 40          | 139-9631           | 1           | Stay-Dynamo        | 110         | 98-7451            | 1           | Key-Feather        |
| 50          | 139-9506           | 2           | Bolt-Flange        | 120         | 139-9635           | 1           | Belt-Fan           |
| 60          | 120-5822           | 2           | Nut-Flange         | 130         | 139-9504           | 1           | Bolt-Flange        |
| 70          | 108-7088           | 1           | Bolt               |             |                    |             |                    |

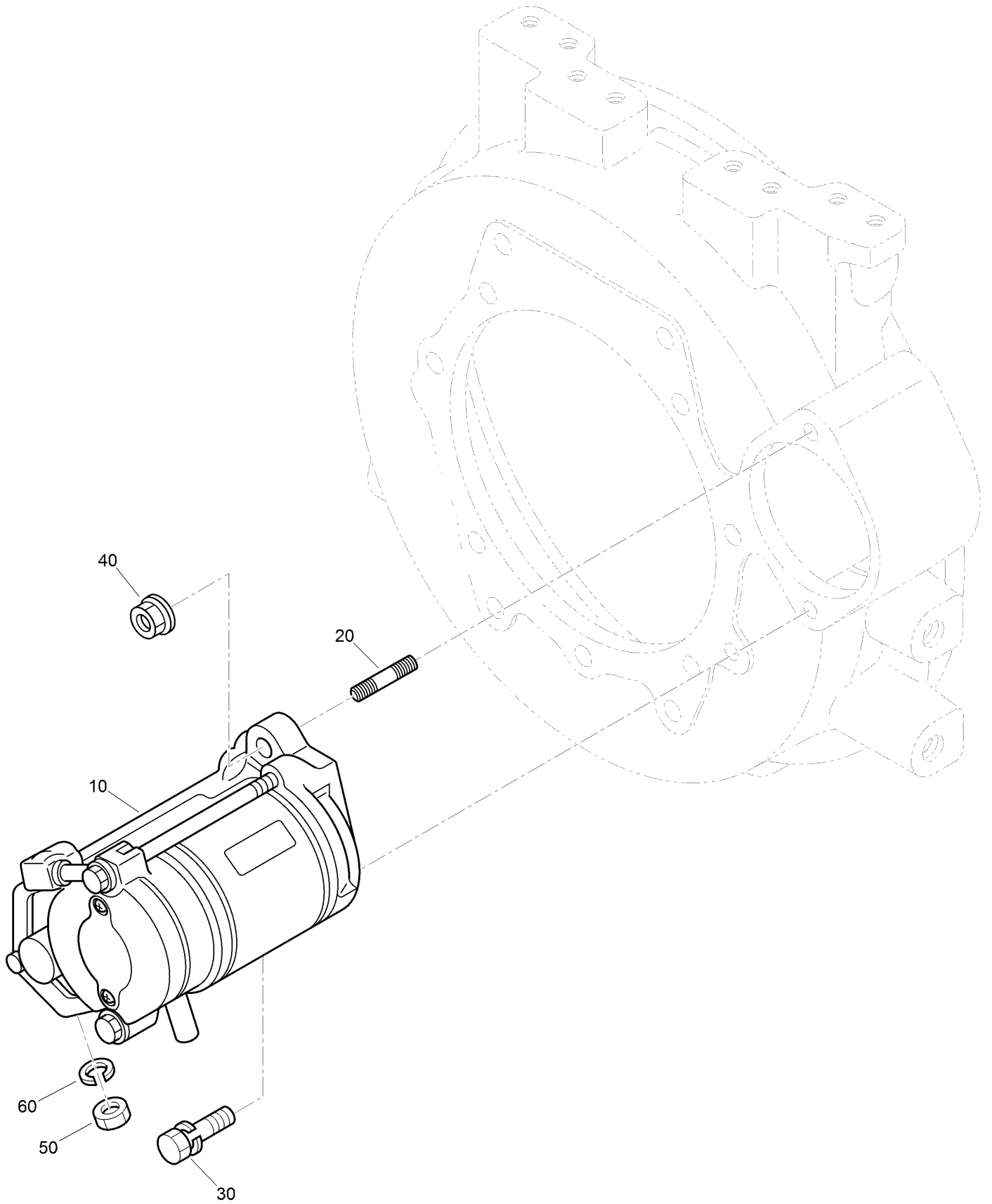
# Alternator Components Assembly



## Alternator Components Assembly (continued)

| <i>Ref.</i> | <i>Part Number</i> | <i>Qty.</i> | <i>Description</i>  | <i>Ref.</i> | <i>Part Number</i> | <i>Qty.</i> | <i>Description</i> |
|-------------|--------------------|-------------|---------------------|-------------|--------------------|-------------|--------------------|
| 10          | 139-9582           | 1           | Alternator ASM      | 150         | 139-9552           | 4           | Bushing-Insulation |
| 20          | 139-9584           | 1           | Pulley-Alternator   | 160         | 139-9588           | 1           | Bushing-Insulation |
| 30          | 139-9545           | 1           | Nut                 | 170         | 139-9547           | 1           | Holder-Brush       |
| 40          | 139-9585           | 1           | Rotor ASM           | 180         | 139-9548           | 1           | Ring-Seal          |
| 50          | 139-9537           | 1           | Cover-Bearing       | 190         | 139-9549           | 1           | Ring-Seal          |
| 60          | 139-4715           | 1           | Bearing-Ball        | 200         | 139-9556           | 2           | Screw-Head, Round  |
| 70          | 139-9583           | 1           | Drive End Frame ASM | 210         | 139-9538           | 7           | Nut                |
| 80          | 139-9550           | 1           | Plate-Retainer      | 220         | 139-9539           | 3           | Screw-Head, Round  |
| 90          | 139-9544           | 4           | Bolt-Through        | 230         | 139-9555           | 1           | Nut                |
| 100         | 139-9551           | 1           | Bearing-Ball        | 240         | 139-9589           | 1           | Regulator ASM      |
| 110         | 139-9557           | 4           | Bolt                | 250         | 139-9554           | 1           | Washer             |
| 120         | 139-9546           | 1           | Frame-End           | 260         | 139-9558           | 4           | Screw-Head, Round  |
| 130         | 139-9586           | 1           | Cover-End, Rear     | 270         | 139-9559           | 1           | Screw-Head, Round  |
| 140         | 139-9587           | 1           | Rectifier ASM       | 280         | 139-9553           | 1           | Plate-Terminal     |

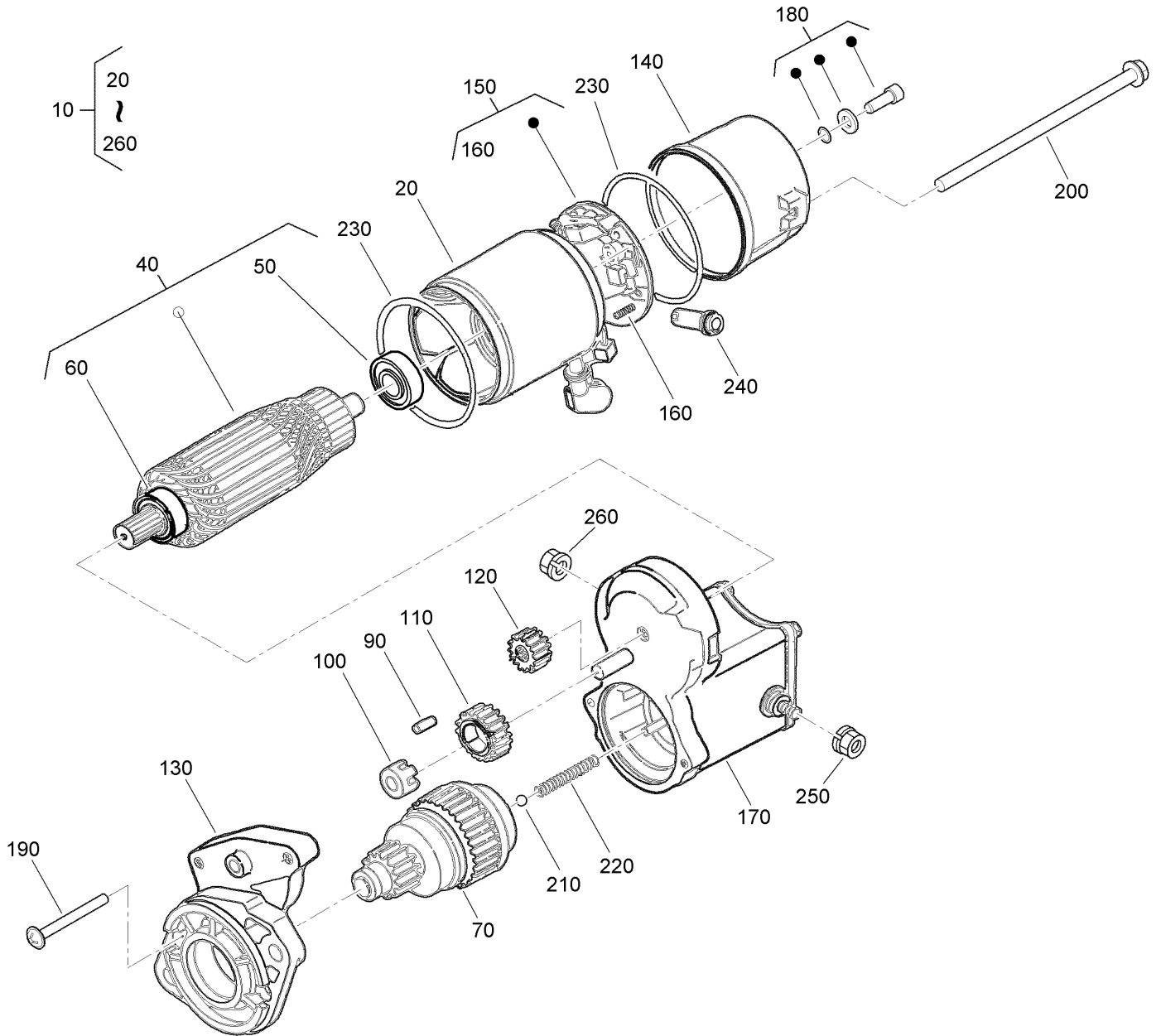
# Starter Installation Assembly



## Starter Installation Assembly (continued)

| <i>Ref.</i> | <i>Part Number</i> | <i>Qty.</i> | <i>Description</i> | <i>Ref.</i> | <i>Part Number</i> | <i>Qty.</i> | <i>Description</i>  |
|-------------|--------------------|-------------|--------------------|-------------|--------------------|-------------|---------------------|
| 10          | 130-1306           | 1           | Starter ASM        | 40          | 120-5822           | 1           | Nut-Flange          |
| 20          | 139-9501           | 1           | Bolt-Stud          | 50          | 98-7739            | 1           | Nut                 |
| 30          | 98-7736            | 1           | Bolt               | 60          | 131-9579           | 1           | Washer-Spring, Lock |

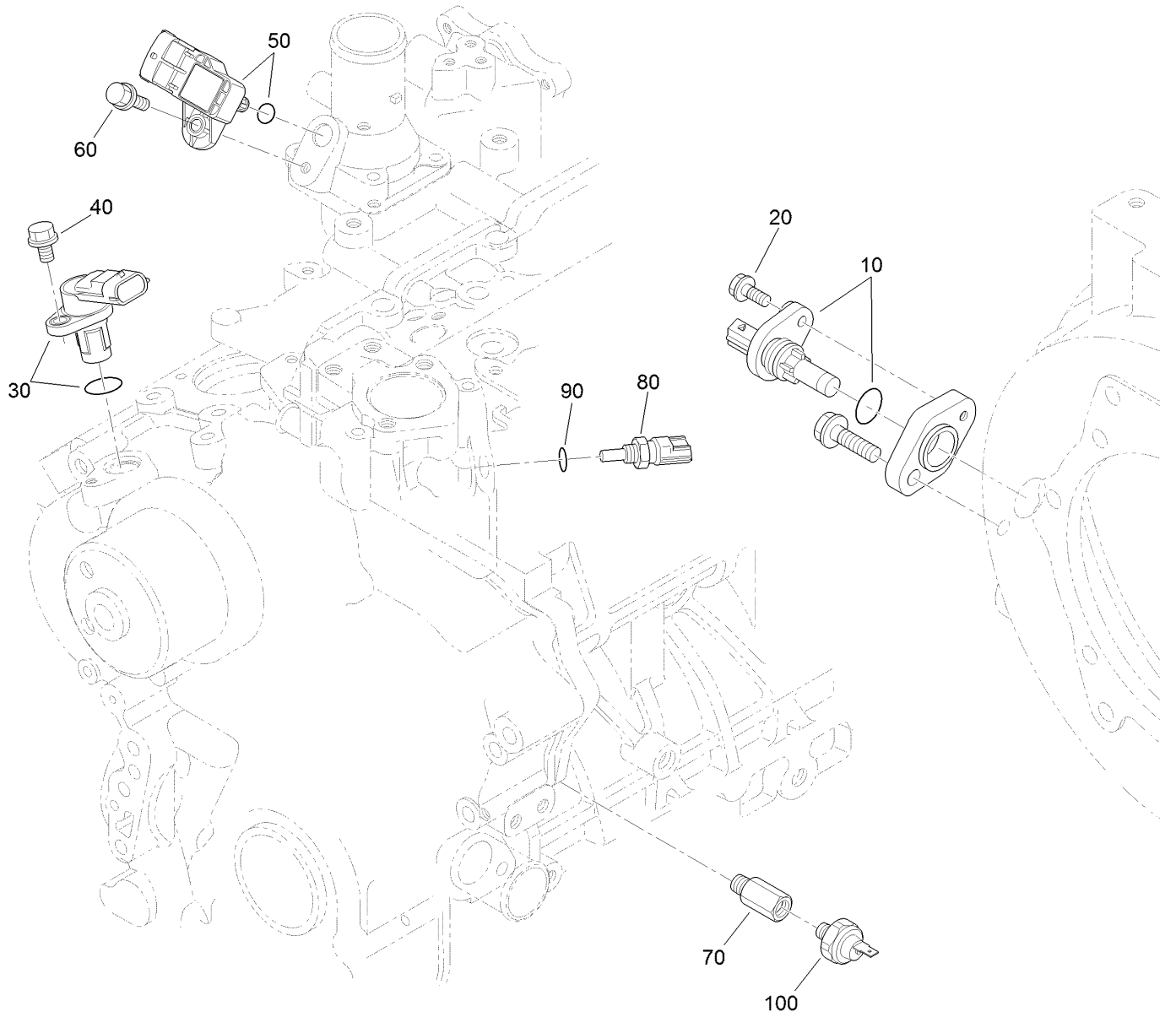
# Starter (Component Parts) Assembly



## Starter (Component Parts) Assembly (continued)

| <i>Ref.</i> | <i>Part Number</i> | <i>Qty.</i> | <i>Description</i>   | <i>Ref.</i> | <i>Part Number</i> | <i>Qty.</i> | <i>Description</i>  |
|-------------|--------------------|-------------|----------------------|-------------|--------------------|-------------|---------------------|
| 10          | 130-1306           | 1           | Starter ASM          | 150         | 139-9571           | 1           | Holder-Brush        |
| 20          | 139-9566           | 1           | Yoke                 | 160         | 139-9567           | 4           | Spring              |
| 40          | 139-9565           | 1           | Armature             | 170         | 130-1307           | 1           | Magnetic Switch ASM |
| 50          | 139-9572           | 1           | Bearing              | 180         | 139-9573           | 2           | Screw               |
| 60          | 139-9520           | 1           | Bearing              | 190         | 139-9574           | 2           | Screw               |
| 70          | 139-9564           | 1           | Clutch-Running, Over | 200         | 139-9570           | 2           | Bolt-Through        |
| 90          | 98-7753            | 5           | Roller               | 210         | 98-7755            | 1           | Ball                |
| 100         | 139-9517           | 1           | Retainer             | 220         | 139-9518           | 1           | Spring              |
| 110         | 139-9519           | 1           | Gear                 | 230         | 139-9532           | 2           | O-Ring              |
| 120         | 139-9569           | 1           | Gear                 | 240         | 139-9540           | 1           | Pipe-Drain          |
| 130         | 139-9563           | 1           | Frame-End, Drive     | 250         | 139-9521           | 1           | Nut-Hexagon         |
| 140         | 139-9568           | 1           | Frame-End            | 260         | 99-8376            | 1           | Nut-Hex             |

# Oil Switch and Thermometer Assembly

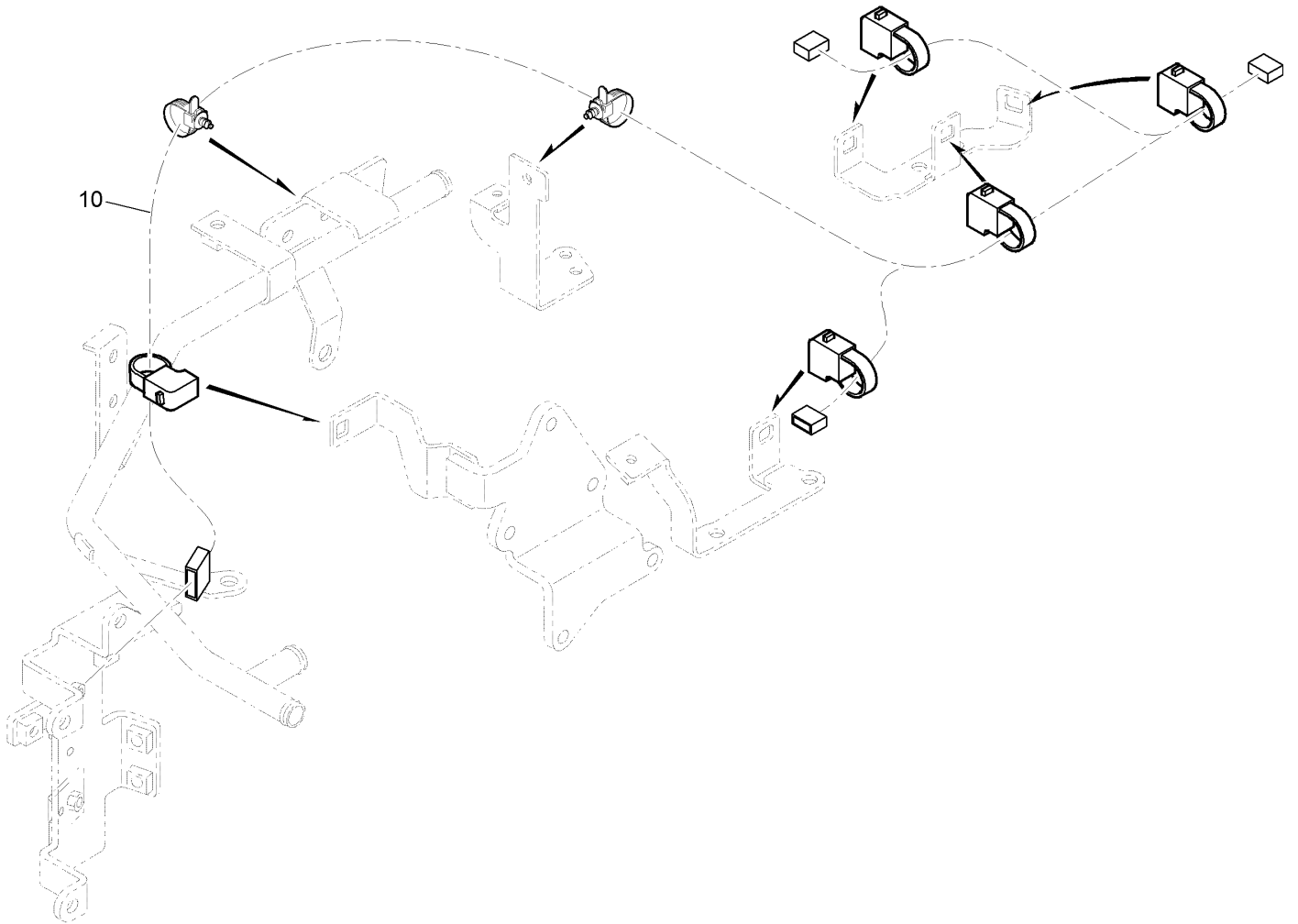




## Oil Switch and Thermometer Assembly (continued)

| <i>Ref.</i> | <i>Part Number</i> | <i>Qty.</i> | <i>Description</i> | <i>Ref.</i> | <i>Part Number</i> | <i>Qty.</i> | <i>Description</i>        |
|-------------|--------------------|-------------|--------------------|-------------|--------------------|-------------|---------------------------|
| 10          | 139-9716           | 1           | Sensor             | 60          | 108-2873           | 1           | Bolt-Flange               |
| 20          | 127-0403           | 1           | Bolt-Flange        | 70          | 139-9685           | 1           | Adapter-Switch, Oil       |
| 30          | 139-9742           | 1           | Sensor             | 80          | 139-4717           | 1           | Sensor-Temperature, Water |
| 40          | 127-0403           | 1           | Bolt-Flange        | 90          | 139-9512           | 1           | O-Ring                    |
| 50          | 139-9752           | 1           | Sensor-Boost       | 100         | 139-4719           | 1           | Switch-Oil                |

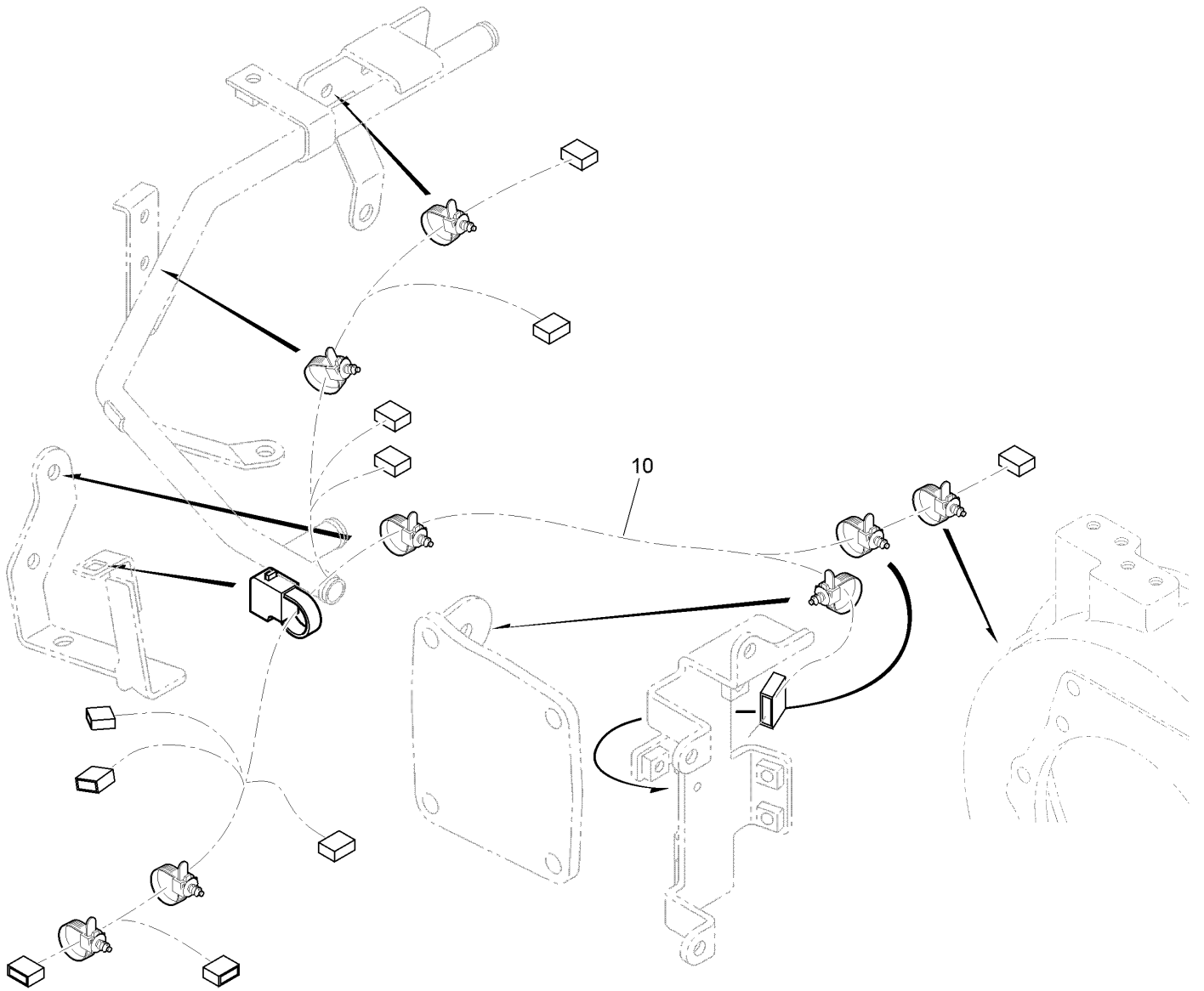
# Injector Harness Assembly



# Injector Harness Assembly (continued)

| <i>Ref.</i> | <i>Part Number</i> | <i>Qty.</i> | <i>Description</i> |
|-------------|--------------------|-------------|--------------------|
| 10          | 139-9767           | 1           | Wire Harness ASM   |

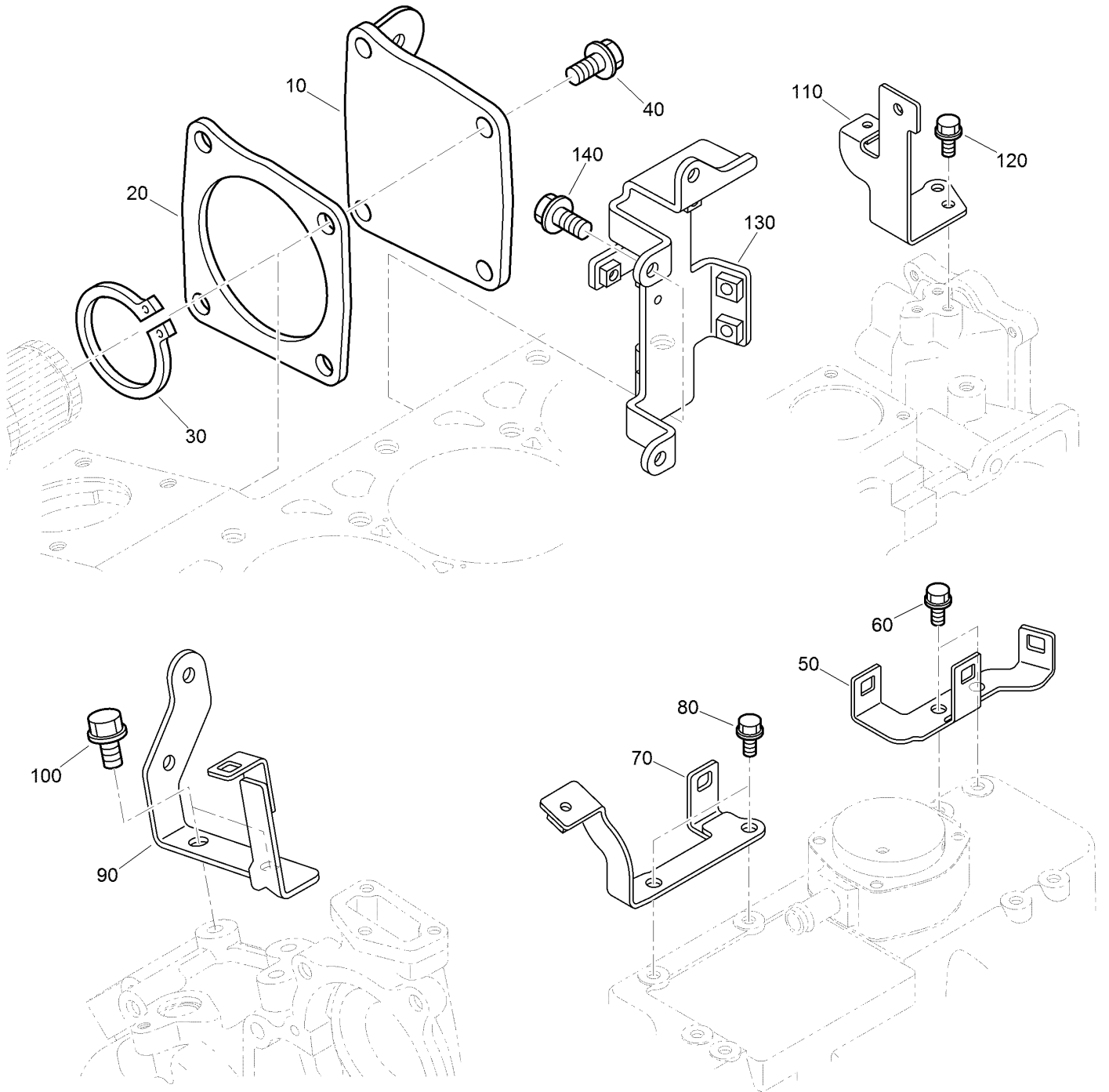
# Wire Harness Assembly



## Wire Harness Assembly (continued)

| <i>Ref.</i> | <i>Part Number</i> | <i>Qty.</i> | <i>Description</i>      |
|-------------|--------------------|-------------|-------------------------|
| 10          | 139-9790           | 1           | Engine Wire Harness ASM |

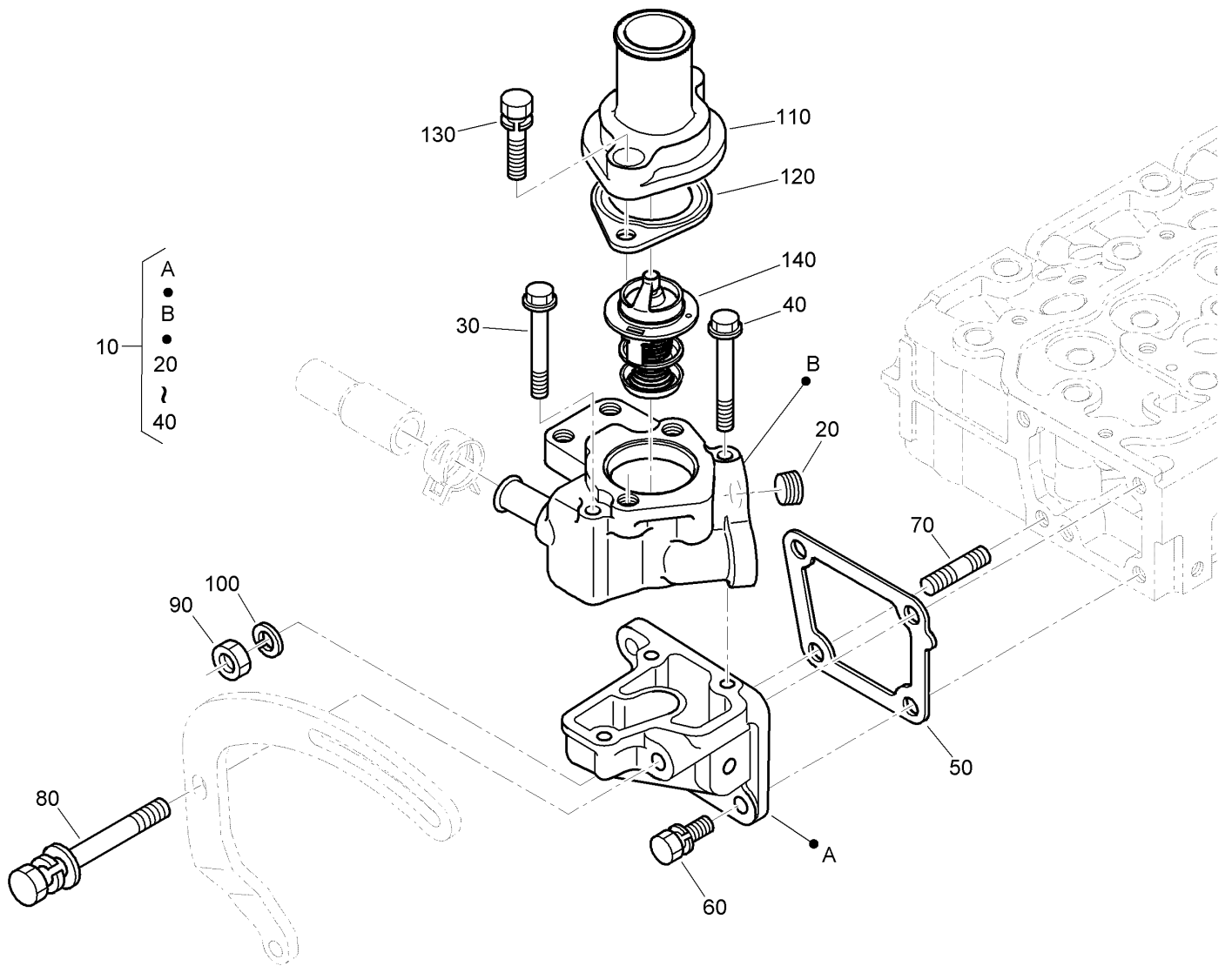
# Wire Harness Bracket Assembly



## Wire Harness Bracket Assembly (continued)

| <i>Ref.</i> | <i>Part Number</i> | <i>Qty.</i> | <i>Description</i>   | <i>Ref.</i> | <i>Part Number</i> | <i>Qty.</i> | <i>Description</i> |
|-------------|--------------------|-------------|----------------------|-------------|--------------------|-------------|--------------------|
| 10          | 139-9731           | 1           | Cover-Camshaft, Fuel | 80          | 139-9505           | 2           | Bolt-Flange        |
| 20          | 139-9637           | 1           | Gasket               | 90          | 139-4702           | 1           | Bracket (Wh 3)     |
| 30          | 120-5194           | 1           | Circlip-External     | 100         | 130-1159           | 2           | Bolt-Flange        |
| 40          | 130-1159           | 4           | Bolt-Flange          | 110         | 139-9792           | 1           | Bracket (Wh 4)     |
| 50          | 139-9791           | 1           | Bracket-Harness      | 120         | 139-9505           | 2           | Bolt-Flange        |
| 60          | 139-9505           | 2           | Bolt-Flange          | 130         | 139-9768           | 1           | Bracket-Connector  |
| 70          | 139-4701           | 1           | Bracket (Wh 2)       | 140         | 130-1159           | 3           | Bolt-Flange        |

# Water Flange and Thermostat Assembly

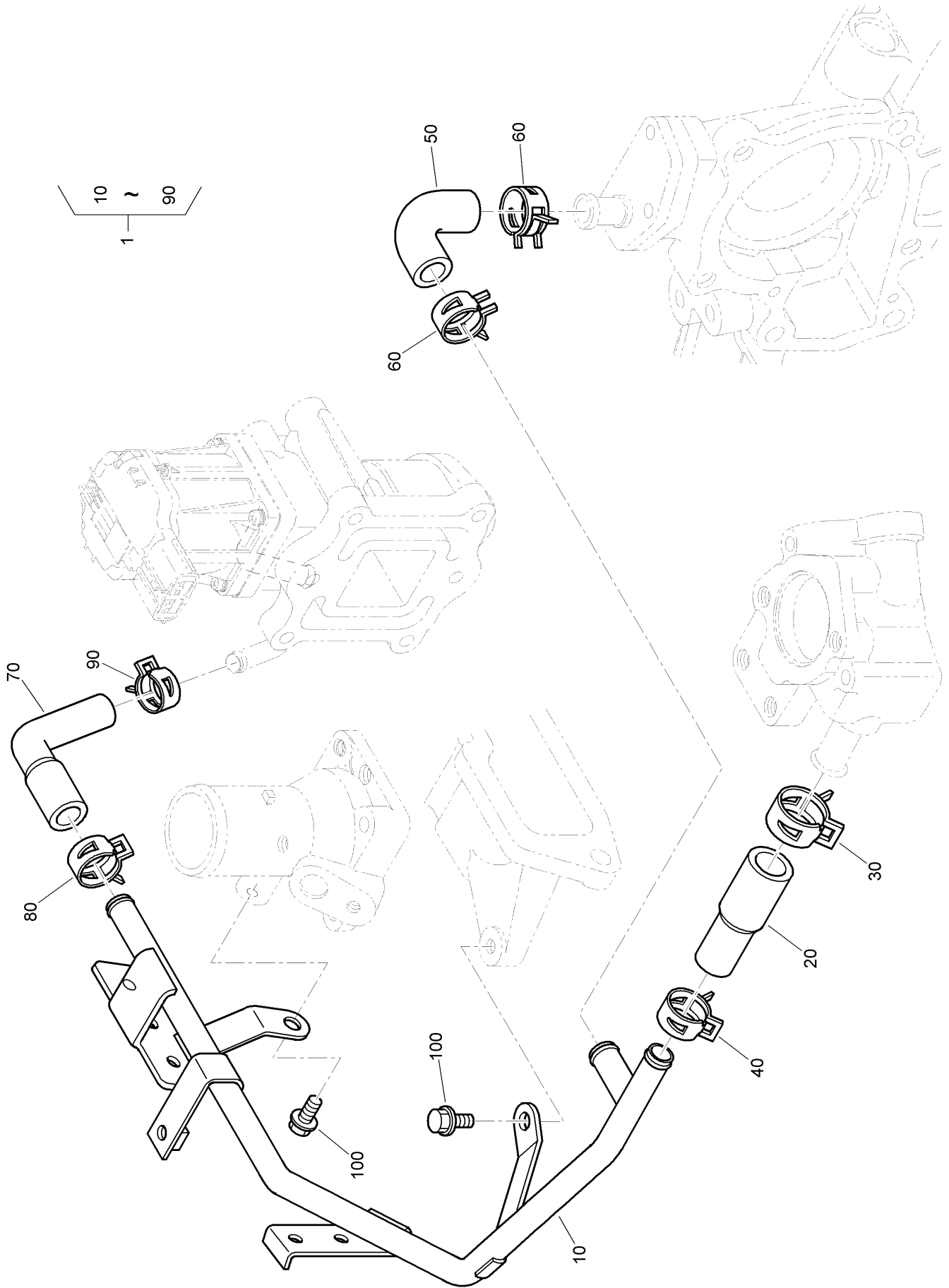




## Water Flange and Thermostat Assembly (continued)

| <i>Ref.</i> | <i>Part Number</i> | <i>Qty.</i> | <i>Description</i>     | <i>Ref.</i> | <i>Part Number</i> | <i>Qty.</i> | <i>Description</i>  |
|-------------|--------------------|-------------|------------------------|-------------|--------------------|-------------|---------------------|
| 10          | 130-1347           | 1           | Water Flange ASM       | 80          | 139-9601           | 1           | Bolt                |
| 20          | 139-9603           | 1           | Plug                   | 90          | 98-7534            | 1           | Nut                 |
| 30          | 105-2875           | 2           | Bolt-Flange            | 100         | 131-9579           | 1           | Washer-Spring, Lock |
| 40          | 107-0117           | 1           | Bolt-Flange            | 110         | 98-7775            | 1           | Cover-Thermostat    |
| 50          | 105-2876           | 1           | Gasket-Flange, Water   | 120         | 105-3748           | 1           | Gasket-Thermostat   |
| 60          | 98-9359            | 2           | Bolt                   | 130         | 98-7777            | 2           | Bolt                |
| 70          | 100-1558           | 1           | Stud-Manifold, Exhaust | 140         | 139-9678           | 1           | Thermostat ASM      |

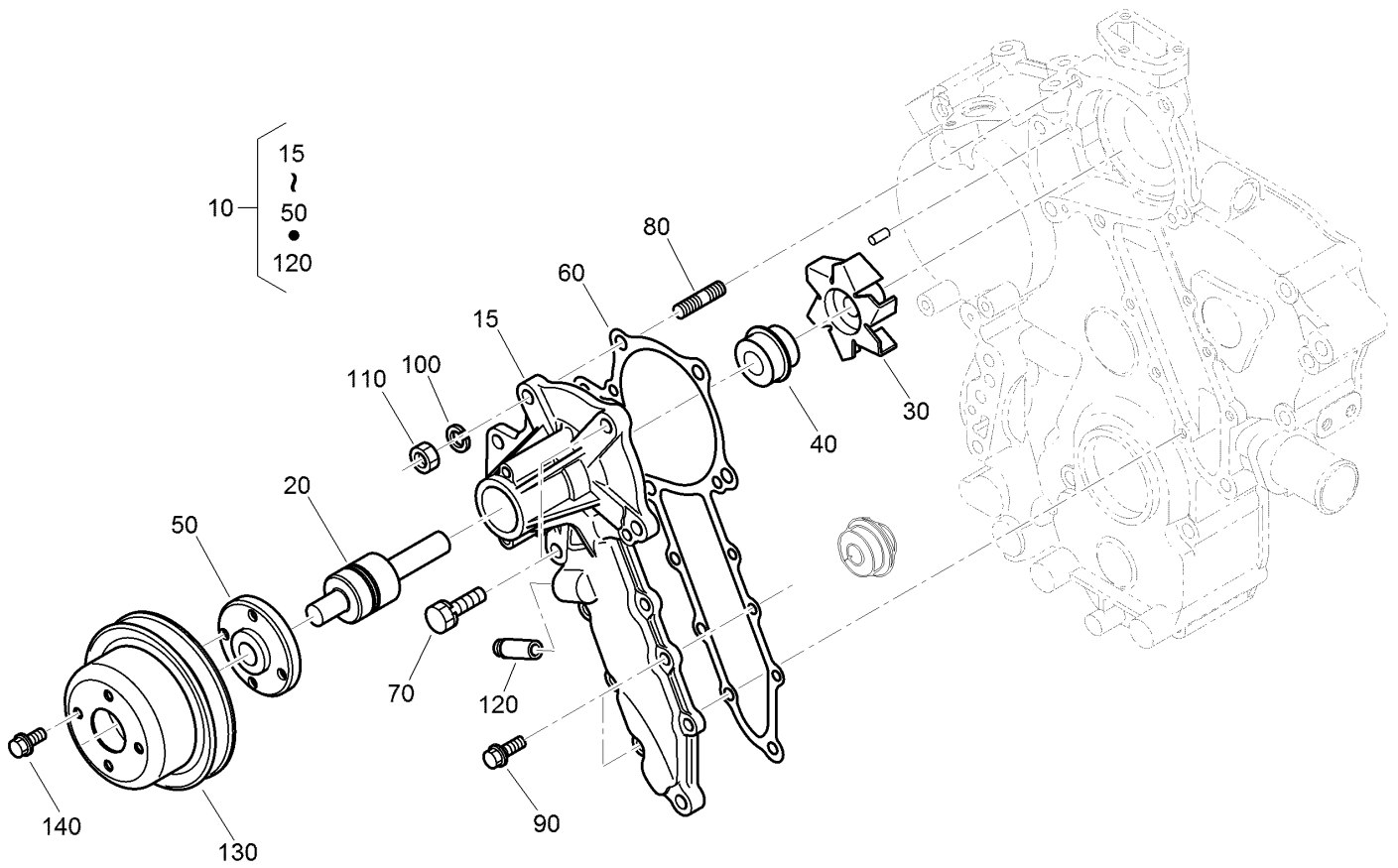
# Water Pipe Assembly



## Water Pipe Assembly (continued)

| <i>Ref.</i> | <i>Part Number</i> | <i>Qty.</i> | <i>Description</i>     | <i>Ref.</i> | <i>Part Number</i> | <i>Qty.</i> | <i>Description</i> |
|-------------|--------------------|-------------|------------------------|-------------|--------------------|-------------|--------------------|
| 1           | 139-9795           | 1           | Water Return Pipe ASM  | 60          | 105-2879           | 2           | Clamp-Hose         |
| 10          | 139-4704           | 1           | Pipe-Return, Water 2   | 70          | 139-9771           | 1           | Hose               |
| 20          | 139-9754           | 1           | Hose-Return, Water 2-1 | 80          | 115-8524           | 1           | Clamp-Hose         |
| 30          | 139-9591           | 1           | Clamp-Hose             | 90          | 139-9515           | 1           | Clamp-Hose         |
| 40          | 115-8524           | 1           | Clamp-Hose             | 100         | 100-1774           | 2           | Bolt-Flange        |
| 50          | 139-9755           | 1           | Hose-Return, Water 2-2 |             |                    |             |                    |

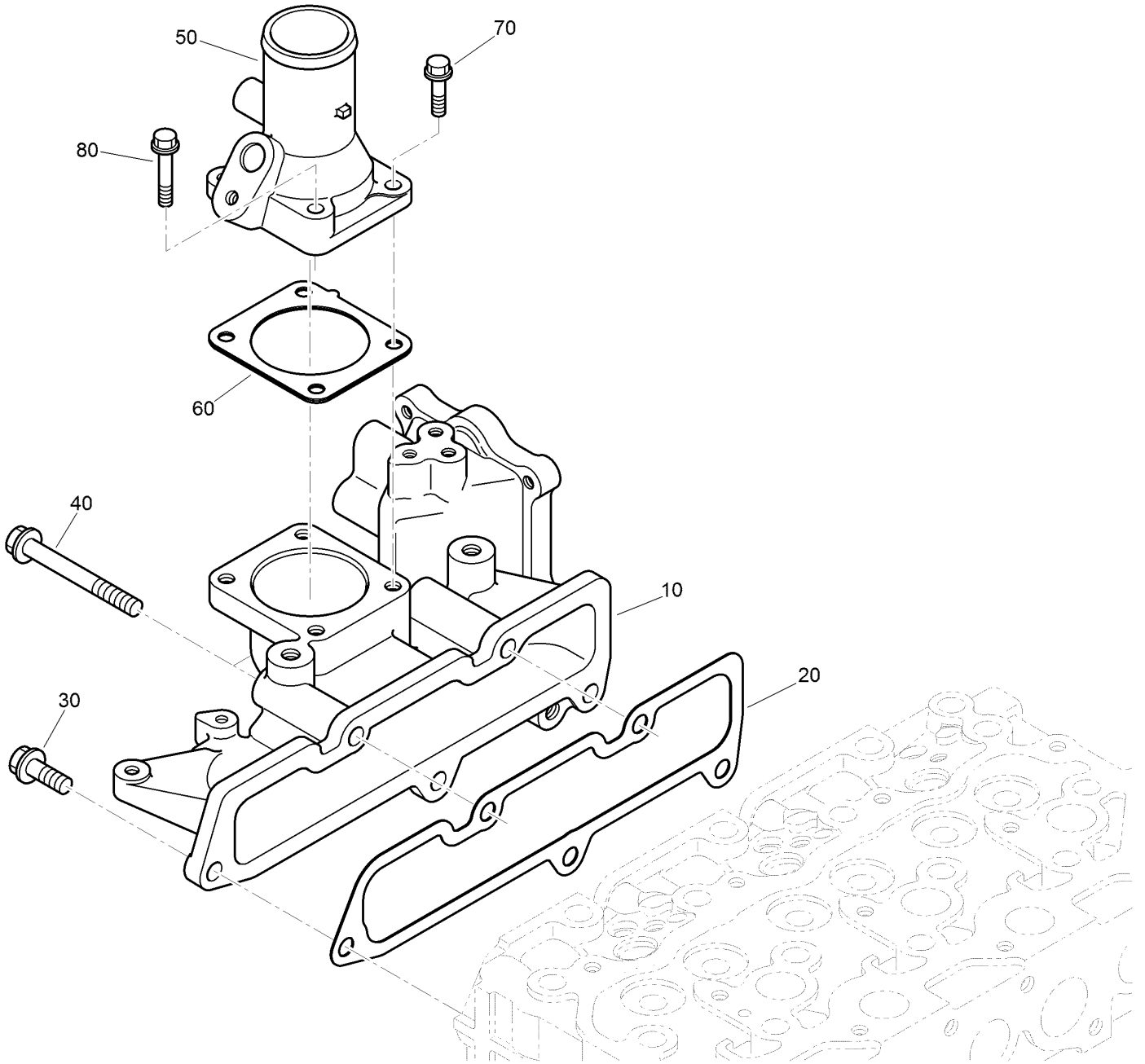
# Water Pump Assembly



## Water Pump Assembly (continued)

| <i>Ref.</i> | <i>Part Number</i> | <i>Qty.</i> | <i>Description</i>       | <i>Ref.</i> | <i>Part Number</i> | <i>Qty.</i> | <i>Description</i>  |
|-------------|--------------------|-------------|--------------------------|-------------|--------------------|-------------|---------------------|
| 10          | 139-9636           | 1           | Water Pump ASM           | 80          | 108-7090           | 1           | Stud                |
| 15          | 130-1421           | 1           | Body-Pump, Water         | 90          | 127-0403           | 6           | Bolt-Flange         |
| 20          | 139-9560           | 1           | Bearing                  | 100         | 131-9579           | 1           | Washer-Spring, Lock |
| 30          | 139-9599           | 1           | Impeller                 | 110         | 98-7534            | 1           | Nut                 |
| 40          | 139-9640           | 1           | Mechanical Seal ASM      | 120         | 98-9580            | 1           | Pipe-Return, Water  |
| 50          | 108-7089           | 1           | Flange-Shaft, Water Pump | 130         | 139-9579           | 1           | Pulley-Fan          |
| 60          | 139-9605           | 1           | Gasket-Pump, Water       | 140         | 100-1774           | 4           | Bolt-Flange         |
| 70          | 98-7439            | 2           | Bolt                     |             |                    |             |                     |

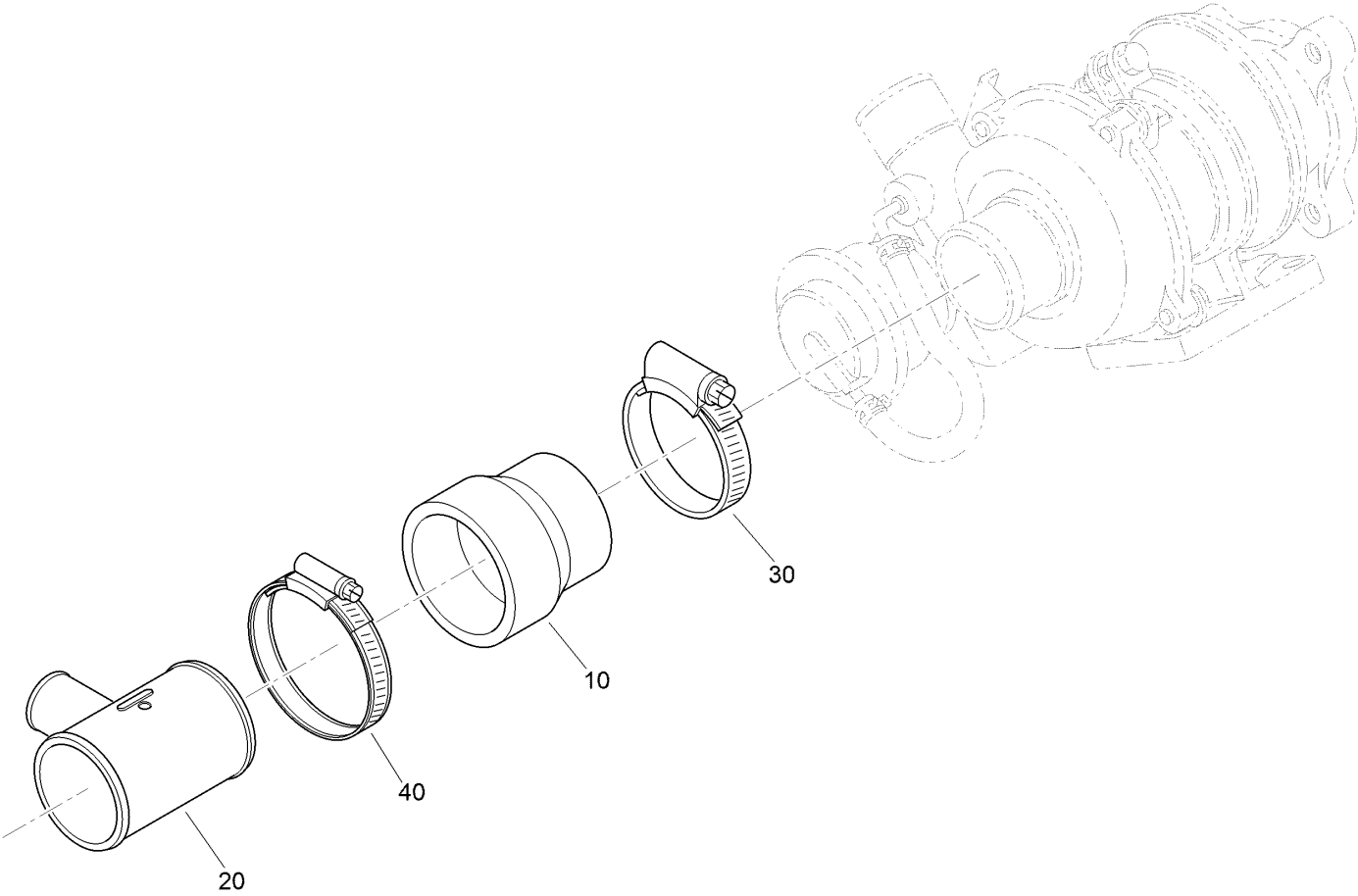
# Inlet Manifold Assembly



## Inlet Manifold Assembly (continued)

| <i>Ref.</i> | <i>Part Number</i> | <i>Qty.</i> | <i>Description</i>     | <i>Ref.</i> | <i>Part Number</i> | <i>Qty.</i> | <i>Description</i>   |
|-------------|--------------------|-------------|------------------------|-------------|--------------------|-------------|----------------------|
| 10          | 139-9758           | 1           | Manifold-Inlet         | 50          | 139-9749           | 1           | Flange-Inlet         |
| 20          | 139-9759           | 1           | Gasket-Manifold, Inlet | 60          | 139-9700           | 1           | Gasket-Flange, Inlet |
| 30          | 115-8583           | 3           | Bolt-Flange            | 70          | 108-2873           | 3           | Bolt-Flange          |
| 40          | 139-9503           | 2           | Bolt-Flange            | 80          | 127-0404           | 1           | Bolt-Flange          |

# Inlet Hose Assembly

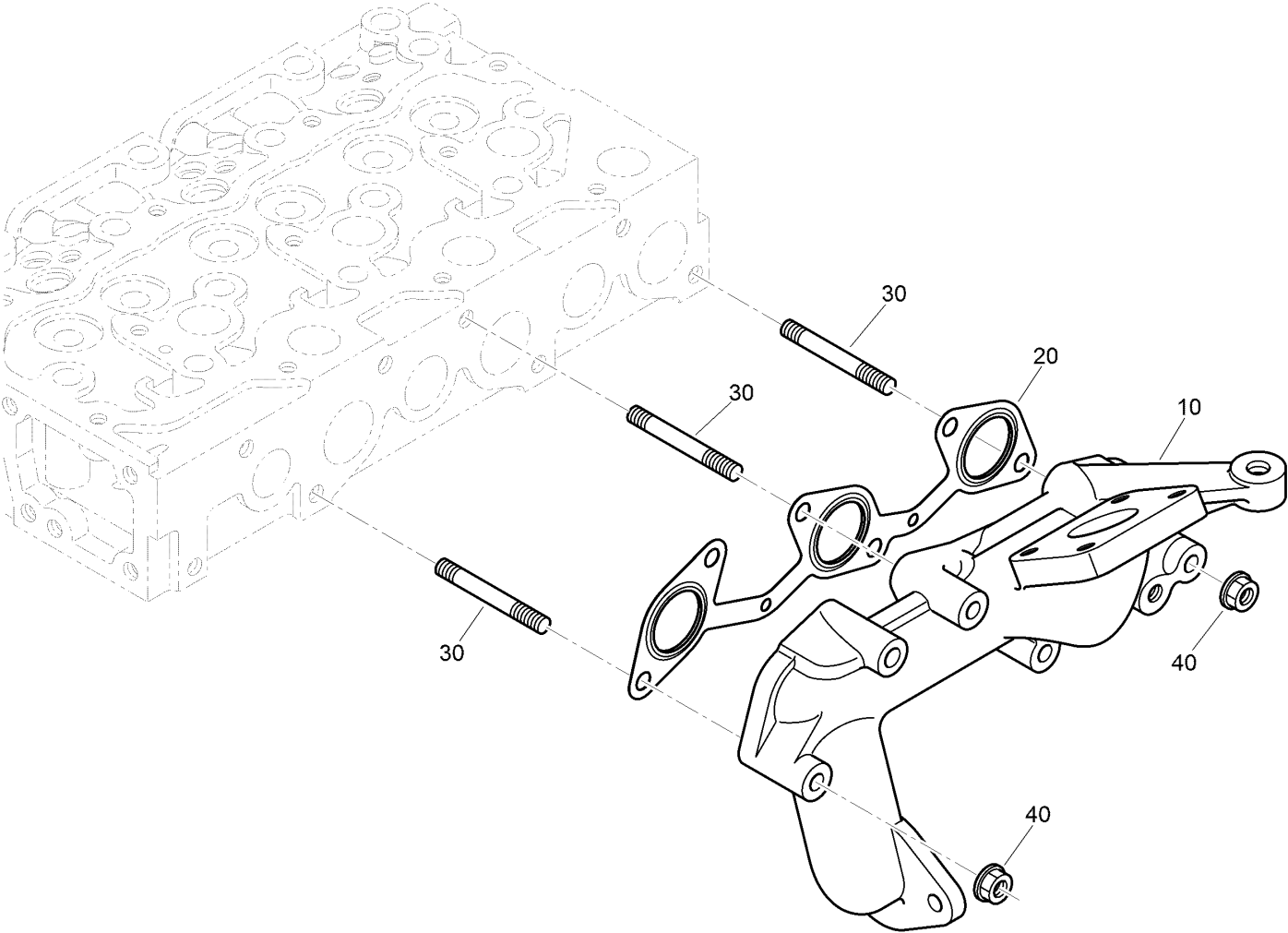




## Inlet Hose Assembly (continued)

| <i>Ref.</i> | <i>Part Number</i> | <i>Qty.</i> | <i>Description</i> | <i>Ref.</i> | <i>Part Number</i> | <i>Qty.</i> | <i>Description</i> |
|-------------|--------------------|-------------|--------------------|-------------|--------------------|-------------|--------------------|
| 10          | 139-9746           | 1           | Tube-Inlet, Turbo  | 30          | 139-4716           | 1           | Clamp              |
| 20          | 139-9649           | 1           | Pipe-Breather      | 40          | 139-4718           | 1           | Clamp-Hose         |

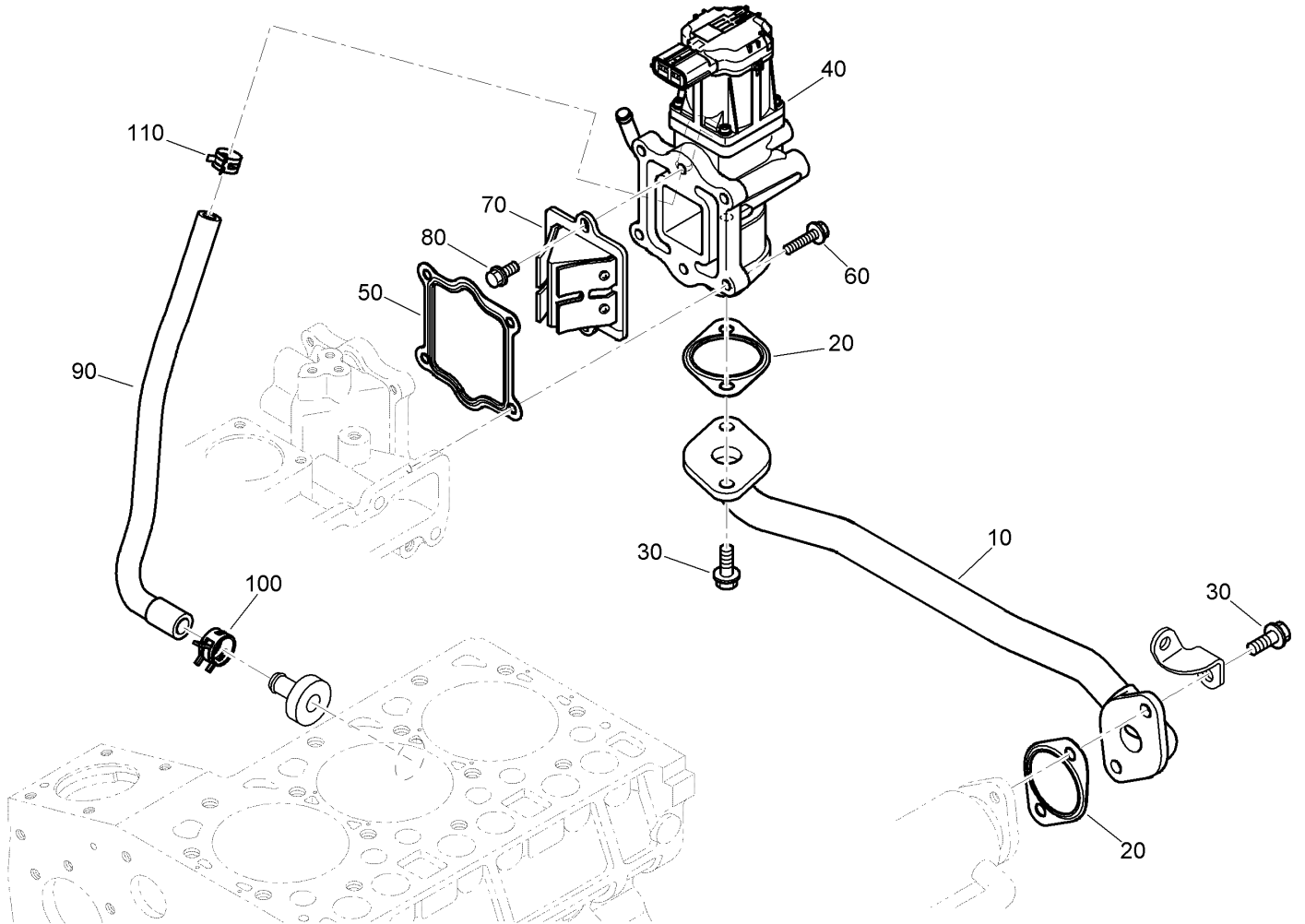
# Exhaust Manifold Assembly



## Exhaust Manifold Assembly (continued)

| <i>Ref.</i> | <i>Part Number</i> | <i>Qty.</i> | <i>Description</i>       | <i>Ref.</i> | <i>Part Number</i> | <i>Qty.</i> | <i>Description</i> |
|-------------|--------------------|-------------|--------------------------|-------------|--------------------|-------------|--------------------|
| 10          | 139-9773           | 1           | Manifold-Exhaust         | 30          | 139-9744           | 6           | Stud               |
| 20          | 139-9760           | 1           | Gasket-Manifold, Exhaust | 40          | 139-9691           | 6           | Nut-Flange         |

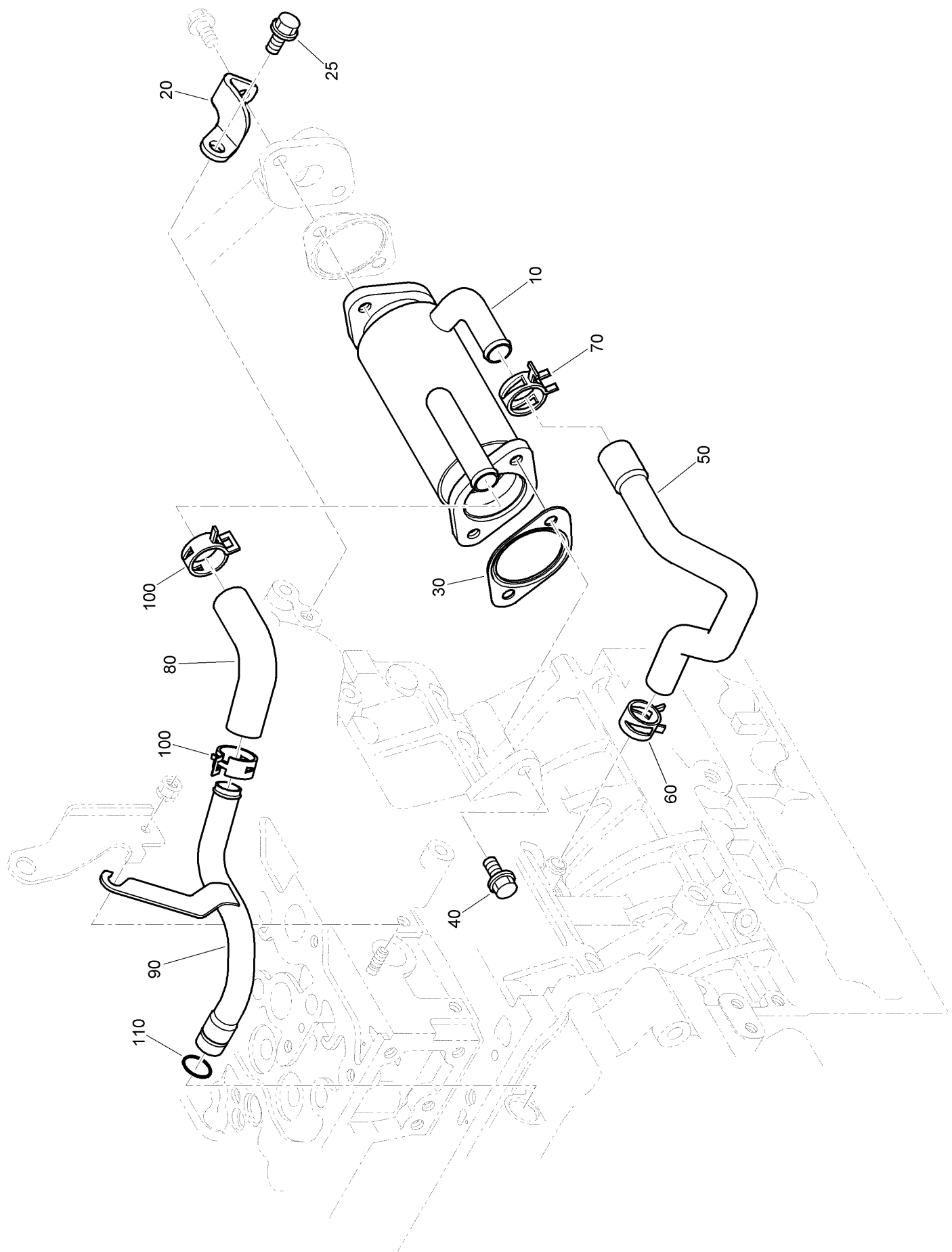
# Exhaust Gas Recirculation Assembly



## Exhaust Gas Recirculation Assembly (continued)

| <i>Ref.</i> | <i>Part Number</i> | <i>Qty.</i> | <i>Description</i>   | <i>Ref.</i> | <i>Part Number</i> | <i>Qty.</i> | <i>Description</i> |
|-------------|--------------------|-------------|----------------------|-------------|--------------------|-------------|--------------------|
| 10          | 139-9785           | 1           | Pipe-E G R           | 70          | 139-9692           | 1           | Valve-Lead         |
| 20          | 139-9751           | 2           | Gasket-Cooler, E G R | 80          | 100-1774           | 2           | Bolt-Flange        |
| 30          | 115-8583           | 4           | Bolt-Flange          | 90          | 139-9770           | 1           | Hose               |
| 40          | 139-9789           | 1           | E G R Valve ASM      | 100         | 105-2879           | 1           | Clamp-Hose         |
| 50          | 139-9750           | 1           | Gasket-Valve, E G R  | 110         | 139-9515           | 1           | Clamp-Hose         |
| 60          | 105-3789           | 4           | Bolt                 |             |                    |             |                    |

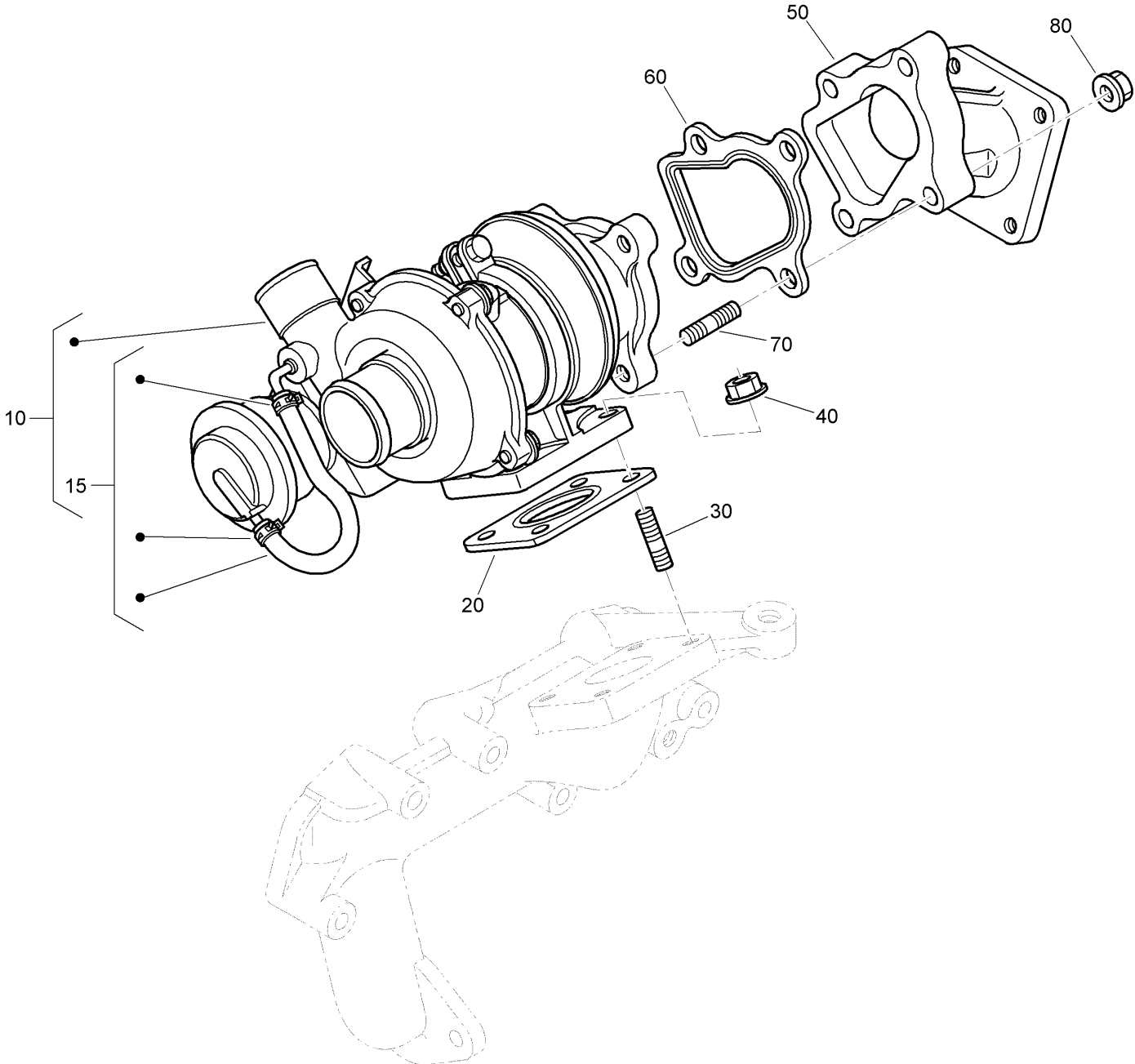
# Exhaust Gas Recirculation Cooler Assembly



# Exhaust Gas Recirculation Cooler Assembly (continued)

| <i>Ref.</i> | <i>Part Number</i> | <i>Qty.</i> | <i>Description</i>   | <i>Ref.</i> | <i>Part Number</i> | <i>Qty.</i> | <i>Description</i> |
|-------------|--------------------|-------------|----------------------|-------------|--------------------|-------------|--------------------|
| 10          | 139-9793           | 1           | Cooler-E G R         | 60          | 105-2879           | 1           | Clamp-Hose         |
| 20          | 139-9794           | 1           | Stay-Cooler, E G R   | 70          | 98-9714            | 1           | Clamp-Hose         |
| 25          | 130-1159           | 1           | Bolt-Flange          | 80          | 139-4703           | 1           | Hose-E G R C2      |
| 30          | 139-9751           | 1           | Gasket-Cooler, E G R | 90          | 139-9753           | 1           | Pipe-E G R, C2     |
| 40          | 115-8583           | 2           | Bolt-Flange          | 100         | 139-9591           | 2           | Clamp-Hose         |
| 50          | 139-9686           | 1           | Hose-E G R, C1       | 110         | 139-9511           | 1           | O-Ring             |

# Turbo Charger Assembly

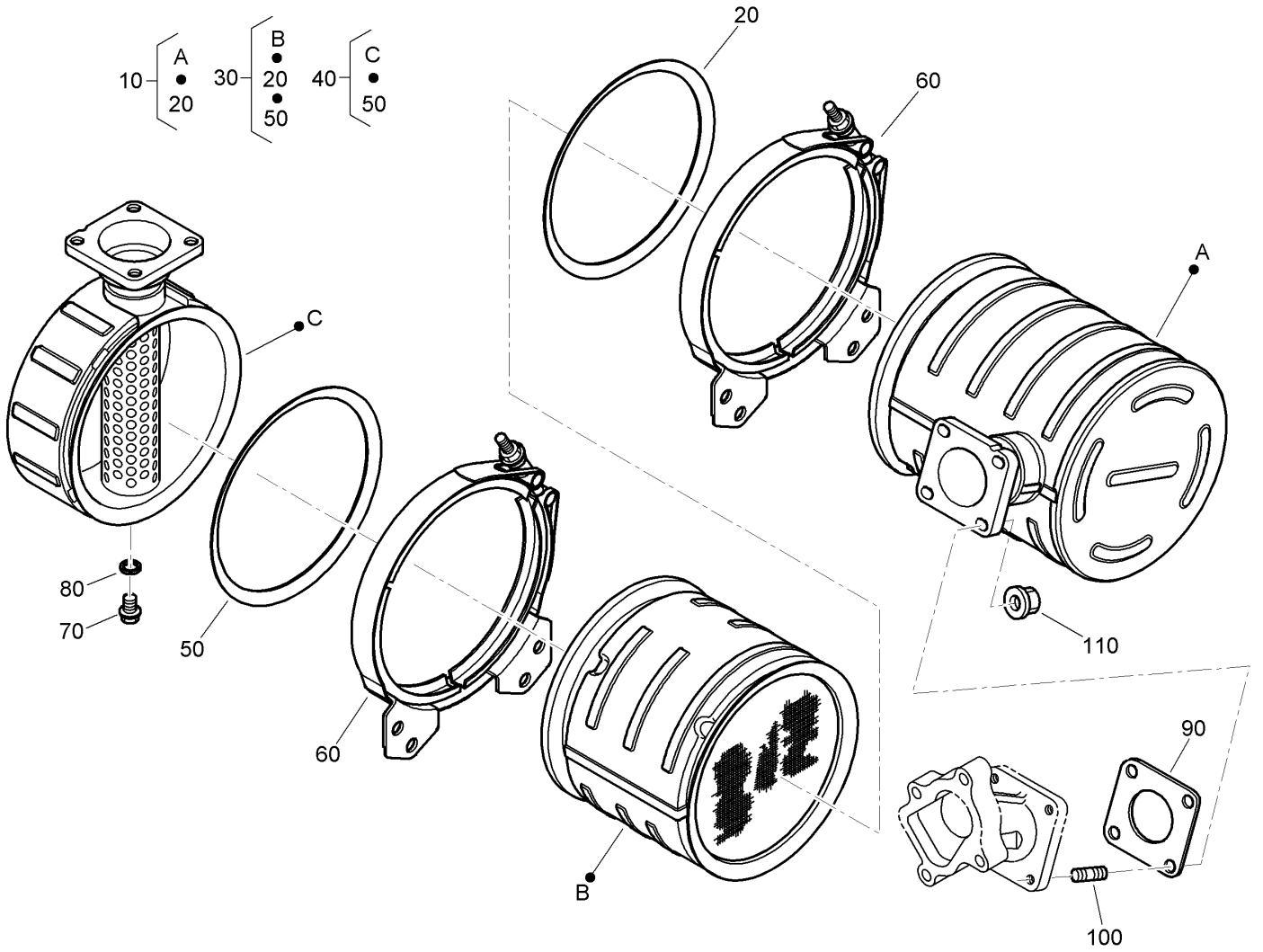




## Turbo Charger Assembly (continued)

| <i>Ref.</i> | <i>Part Number</i> | <i>Qty.</i> | <i>Description</i> | <i>Ref.</i> | <i>Part Number</i> | <i>Qty.</i> | <i>Description</i>     |
|-------------|--------------------|-------------|--------------------|-------------|--------------------|-------------|------------------------|
| 10          | 139-9784           | 1           | Turbo Charger ASM  | 50          | 139-9783           | 1           | Flange-Muffler         |
| 15          | 139-9673           | 1           | Hose ASM           | 60          | 139-9693           | 1           | Gasket-Flange, Muffler |
| 20          | 100-9314           | 1           | Gasket             | 70          | 139-9625           | 4           | Stud                   |
| 30          | 139-9689           | 4           | Bolt-Stud          | 80          | 139-9691           | 4           | Nut-Flange             |
| 40          | 139-9691           | 4           | Nut-Flange         |             |                    |             |                        |

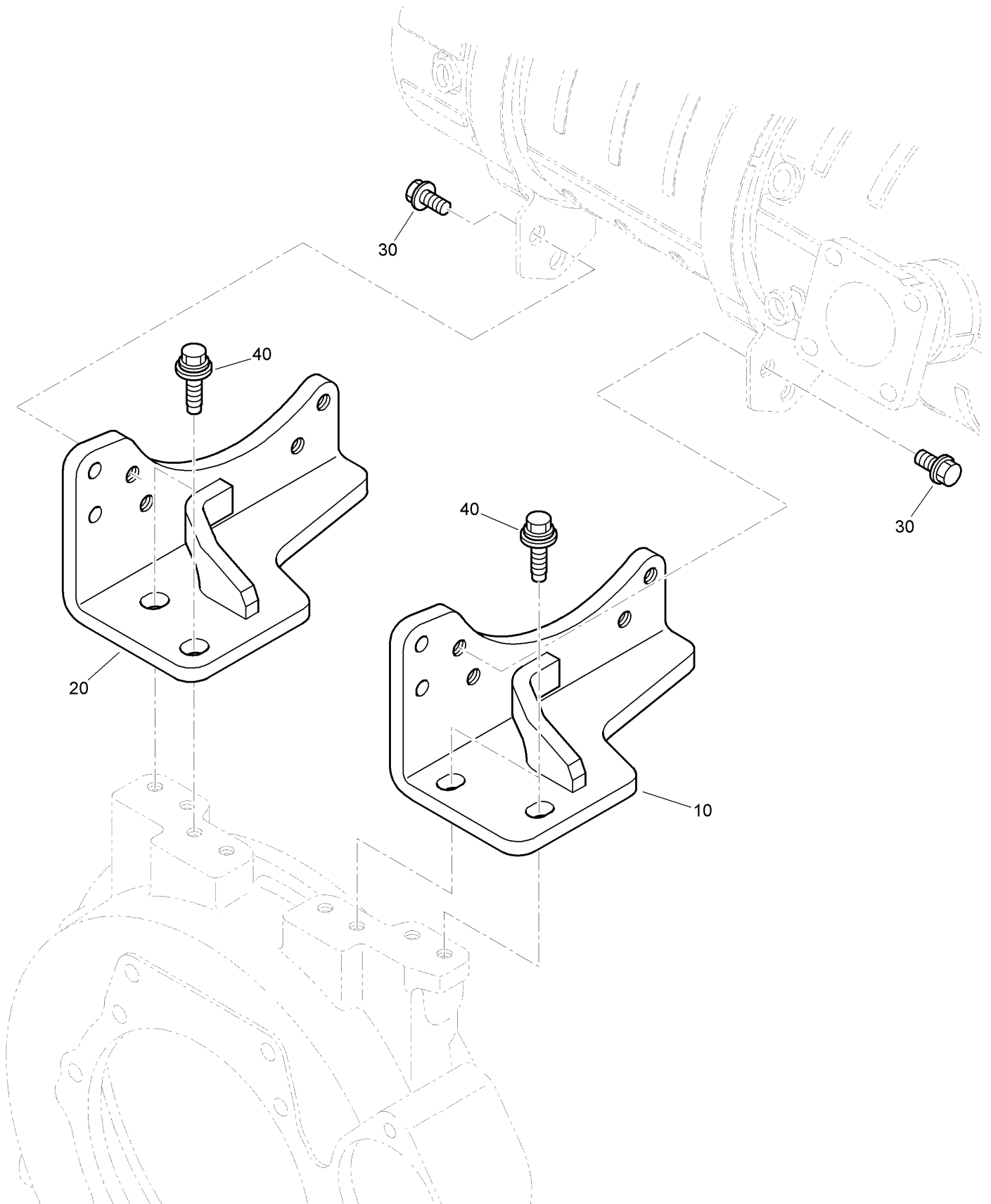
# Diesel Oxidation Catalyst Muffler Assembly



# Diesel Oxidation Catalyst Muffler Assembly (continued)

| <i>Ref.</i> | <i>Part Number</i> | <i>Qty.</i> | <i>Description</i>    | <i>Ref.</i> | <i>Part Number</i> | <i>Qty.</i> | <i>Description</i> |
|-------------|--------------------|-------------|-----------------------|-------------|--------------------|-------------|--------------------|
| 10          | 139-9797           | 1           | Doc1 Catalyst Kit     | 70          | 100-1774           | 1           | Bolt-Flange        |
| 20          | 139-9733           | 2           | Gasket-D P F          | 80          | 98-7654            | 1           | Gasket             |
| 30          | 139-4721           | 1           | Doc2 Catalyst Kit     | 90          | 100-9333           | 1           | Gasket-Muffler     |
| 40          | 139-9698           | 1           | Body Kit              | 100         | 139-9690           | 4           | Bolt-Stud          |
| 50          | 139-9733           | 1           | Gasket-D P F          | 110         | 139-9691           | 4           | Nut-Flange         |
| 60          | 139-4706           | 2           | Bracket-V Band, D P F |             |                    |             |                    |

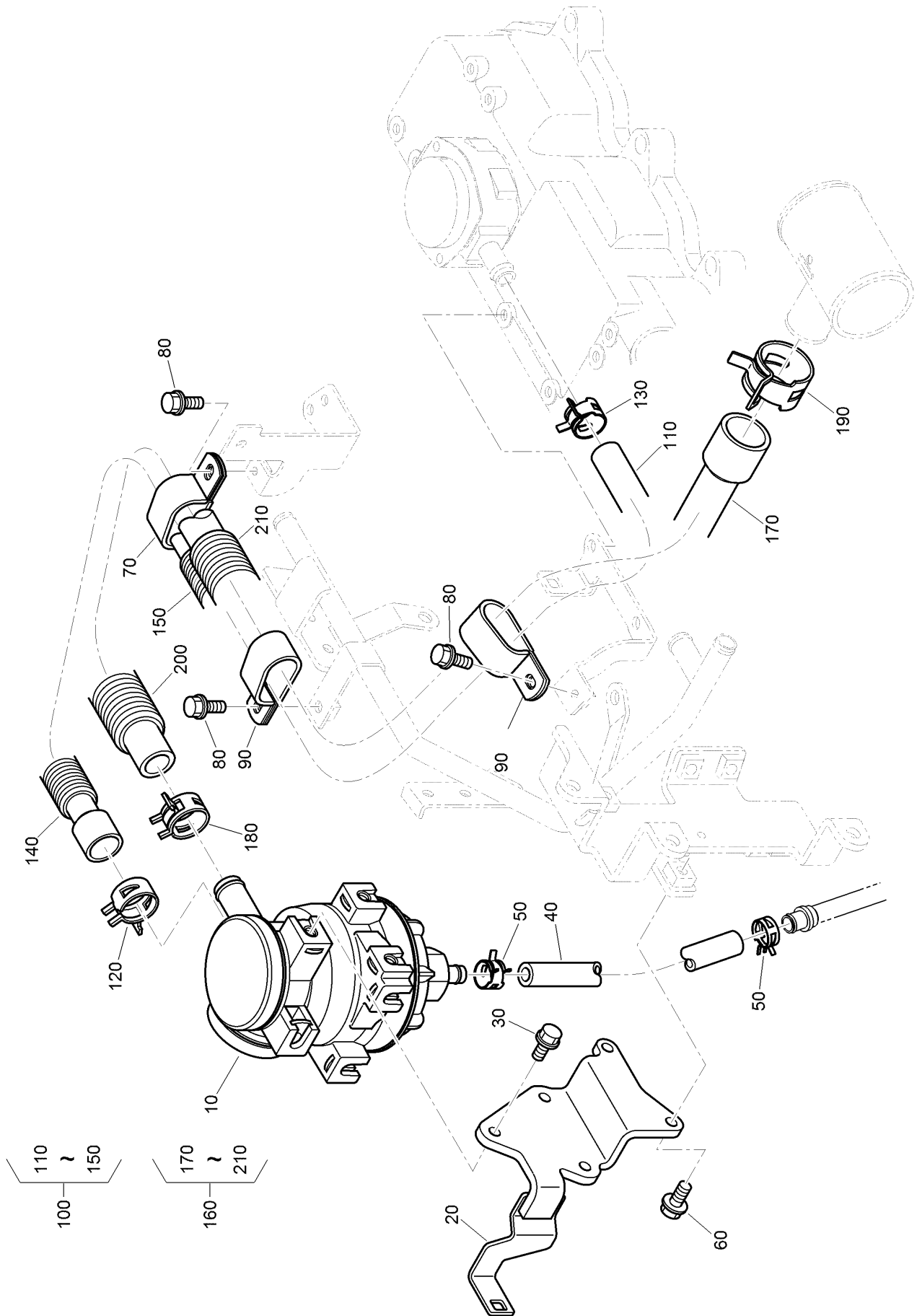
# Diesel Oxidation Catalyst Muffler Bracket Assembly



## Diesel Oxidation Catalyst Muffler Bracket Assembly (continued)

| <i>Ref.</i> | <i>Part Number</i> | <i>Qty.</i> | <i>Description</i> | <i>Ref.</i> | <i>Part Number</i> | <i>Qty.</i> | <i>Description</i> |
|-------------|--------------------|-------------|--------------------|-------------|--------------------|-------------|--------------------|
| 10          | 139-9734           | 1           | Bracket-D P F 1    | 30          | 127-0406           | 8           | Bolt-Flange        |
| 20          | 139-9735           | 1           | Bracket-D P F 2    | 40          | 139-4714           | 4           | Bolt               |

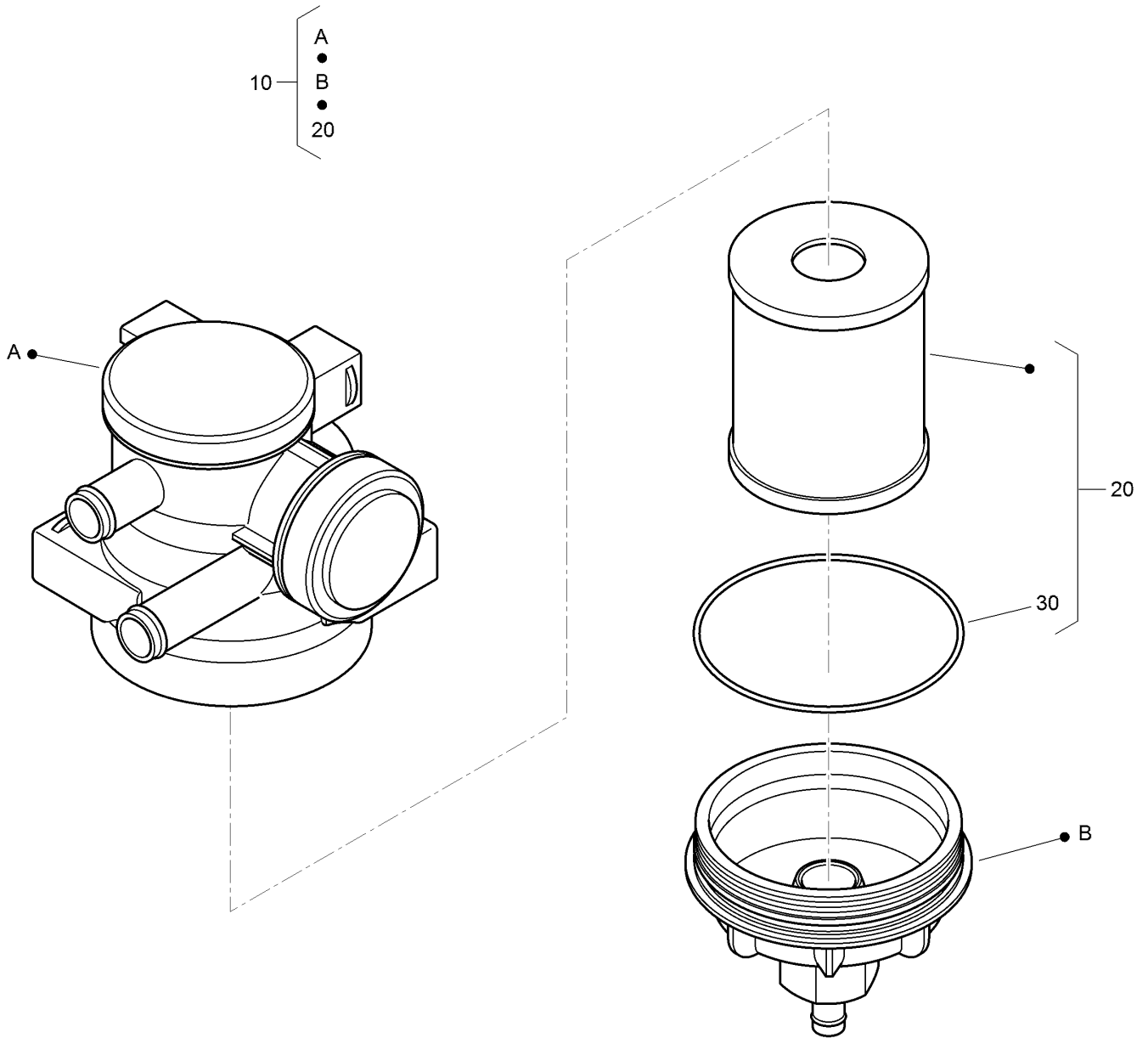
# Oil Separator Assembly



## Oil Separator Assembly (continued)

| <i>Ref.</i> | <i>Part Number</i> | <i>Qty.</i> | <i>Description</i>  | <i>Ref.</i> | <i>Part Number</i> | <i>Qty.</i> | <i>Description</i>  |
|-------------|--------------------|-------------|---------------------|-------------|--------------------|-------------|---------------------|
| 10          | 139-9695           | 1           | Separator ASM       | 120         | 98-9714            | 1           | Clamp-Hose          |
| 20          | 139-9780           | 1           | Bracket-Separator   | 130         | 115-8524           | 1           | Clamp-Hose          |
| 30          | 127-0403           | 3           | Bolt-Flange         | 140         | 139-9650           | 1           | Tube-Pipe           |
| 40          | 139-9757           | 1           | Tube-Return, Oil    | 150         | 139-9786           | 1           | Tube-Corrugate      |
| 50          | 139-9515           | 2           | Clamp-Hose          | 160         | 139-9779           | 1           | Breather 2 Tube ASM |
| 60          | 127-0403           | 2           | Bolt-Flange         | 170         | 139-9782           | 1           | Tube-Breather 2     |
| 70          | 139-9748           | 1           | Clamp-Hose          | 180         | 98-9714            | 1           | Clamp-Hose          |
| 80          | 100-1774           | 3           | Bolt-Flange         | 190         | 139-9516           | 1           | Clamp-Hose          |
| 90          | 139-4708           | 2           | Clamp-Hose          | 200         | 139-9787           | 1           | Tube-Corrugate      |
| 100         | 139-9778           | 1           | Breather 1 Tube ASM | 210         | 139-9788           | 1           | Tube-Corrugate      |
| 110         | 139-9781           | 1           | Tube-Breather 1     |             |                    |             |                     |

# Oil Separator (Component Parts) Assembly

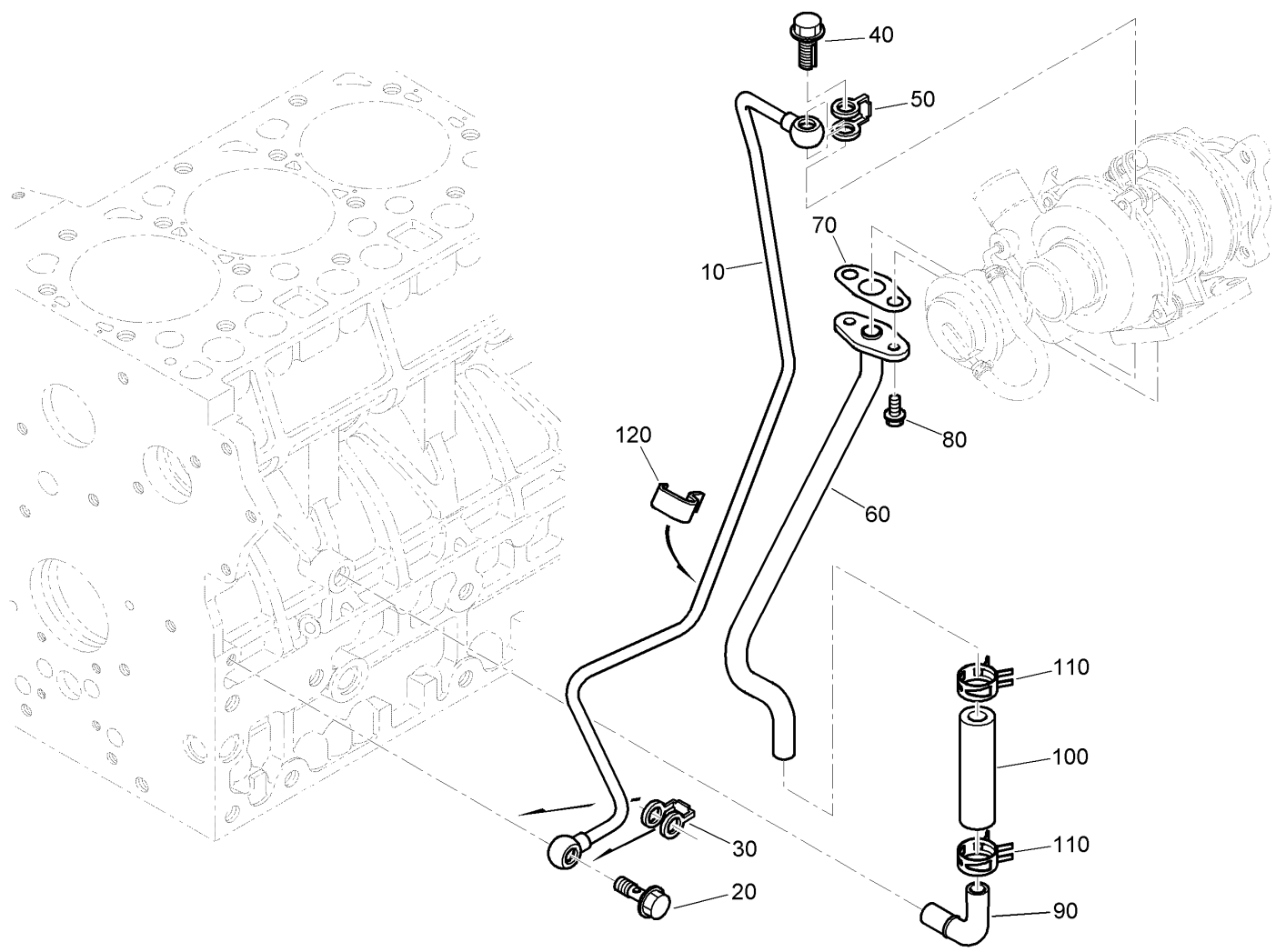




# Oil Separator (Component Parts) Assembly (continued)

| <i>Ref.</i> | <i>Part Number</i> | <i>Qty.</i> | <i>Description</i> |
|-------------|--------------------|-------------|--------------------|
| 10          | 139-9695           | 1           | Separator ASM      |
| 20          | 139-9697           | 1           | Element Kit        |
| 30          | 139-9696           | 1           | O-Ring             |

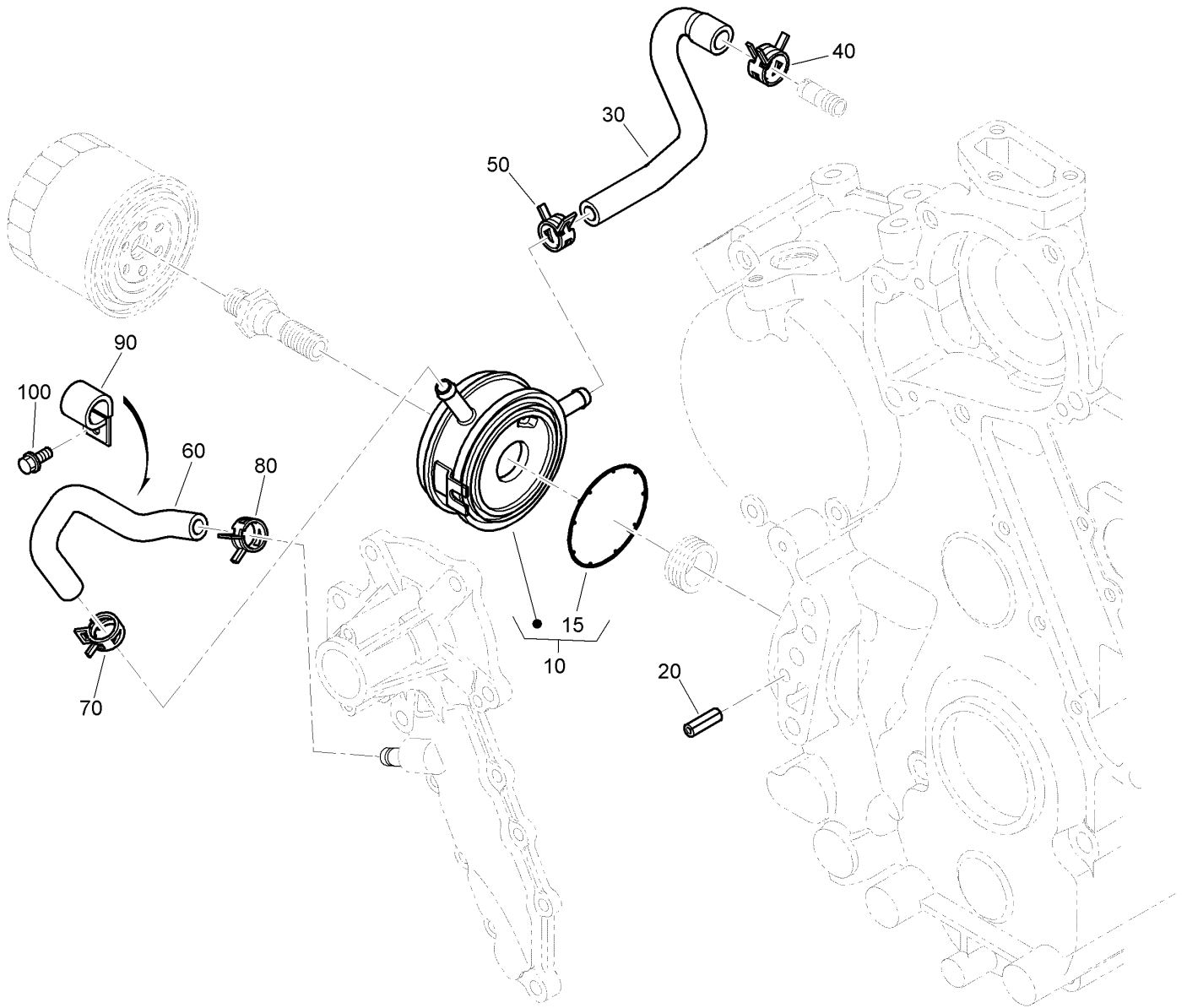
# Oil Pipe (Turbo Charger) Assembly



## Oil Pipe (Turbo Charger) Assembly (continued)

| <i>Ref.</i> | <i>Part Number</i> | <i>Qty.</i> | <i>Description</i> | <i>Ref.</i> | <i>Part Number</i> | <i>Qty.</i> | <i>Description</i> |
|-------------|--------------------|-------------|--------------------|-------------|--------------------|-------------|--------------------|
| 10          | 139-9774           | 1           | Pipe               | 70          | 139-9627           | 1           | Gasket-Pipe, Oil   |
| 20          | 130-1564           | 1           | Bolt-Connect       | 80          | 100-1774           | 2           | Bolt-Flange        |
| 30          | 139-9639           | 1           | Gasket             | 90          | 100-9323           | 1           | Pipe-Oil           |
| 40          | 139-9679           | 1           | Bolt-Joint, Eye    | 100         | 139-9680           | 1           | Tube-Oil           |
| 50          | 130-1423           | 1           | Gasket             | 110         | 98-9714            | 2           | Clamp-Hose         |
| 60          | 139-9775           | 1           | Pipe-Oil 2         | 120         | 139-9776           | 1           | Clamp-Pipe         |

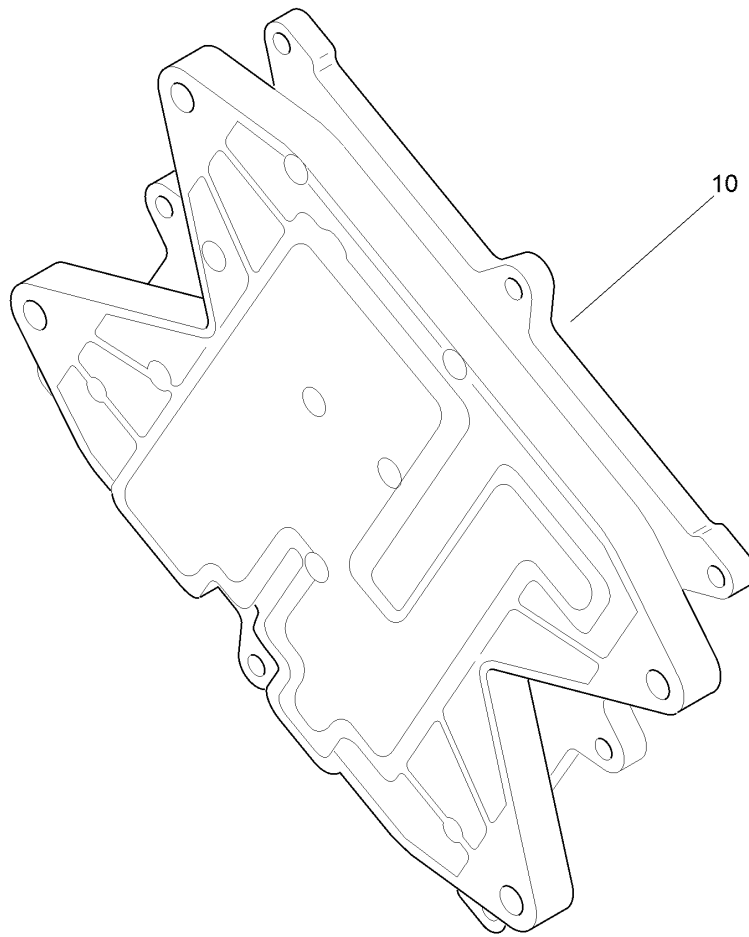
# Oil Cooler Assembly



## Oil Cooler Assembly (continued)

| <i>Ref.</i> | <i>Part Number</i> | <i>Qty.</i> | <i>Description</i> | <i>Ref.</i> | <i>Part Number</i> | <i>Qty.</i> | <i>Description</i> |
|-------------|--------------------|-------------|--------------------|-------------|--------------------|-------------|--------------------|
| 10          | 139-9666           | 1           | Oil Cooler ASM     | 60          | 139-9736           | 1           | Hose-Cooler, Oil   |
| 15          | 139-9667           | 1           | Packing            | 70          | 98-9579            | 1           | Band-Pipe          |
| 20          | 130-1169           | 1           | Pin-Roller         | 80          | 98-9579            | 1           | Band-Pipe          |
| 30          | 139-9604           | 1           | Hose-Cooler, Oil   | 90          | 139-9737           | 1           | Clamp              |
| 40          | 105-2879           | 1           | Clamp-Hose         | 100         | 100-1774           | 1           | Bolt-Flange        |
| 50          | 98-9579            | 1           | Band-Pipe          |             |                    |             |                    |

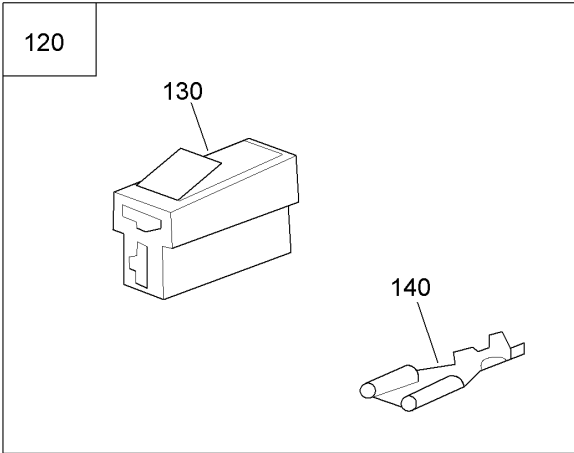
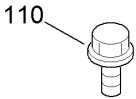
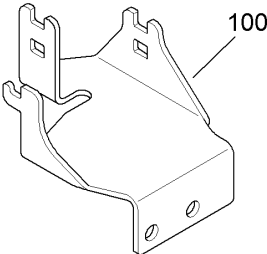
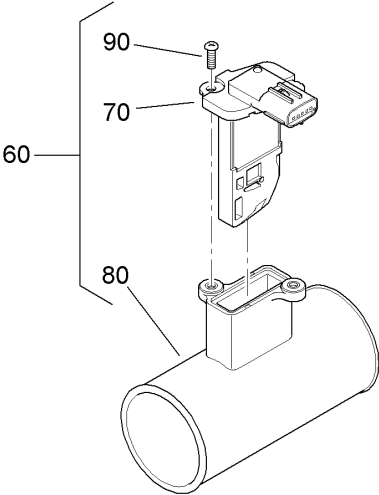
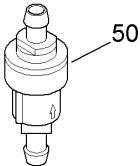
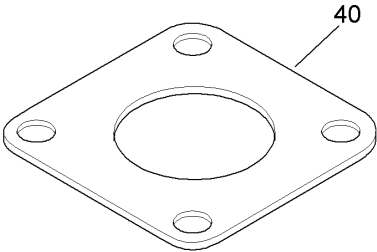
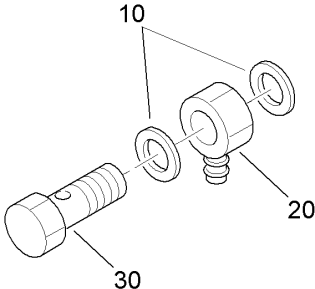
# Electronic Control Unit Assembly



# Electronic Control Unit Assembly (continued)

| <i>Ref.</i> | <i>Part Number</i> | <i>Qty.</i> | <i>Description</i> |
|-------------|--------------------|-------------|--------------------|
| 10          | 139-9681           | 1           | E C U ASM          |

# Miscellaneous Engine Parts

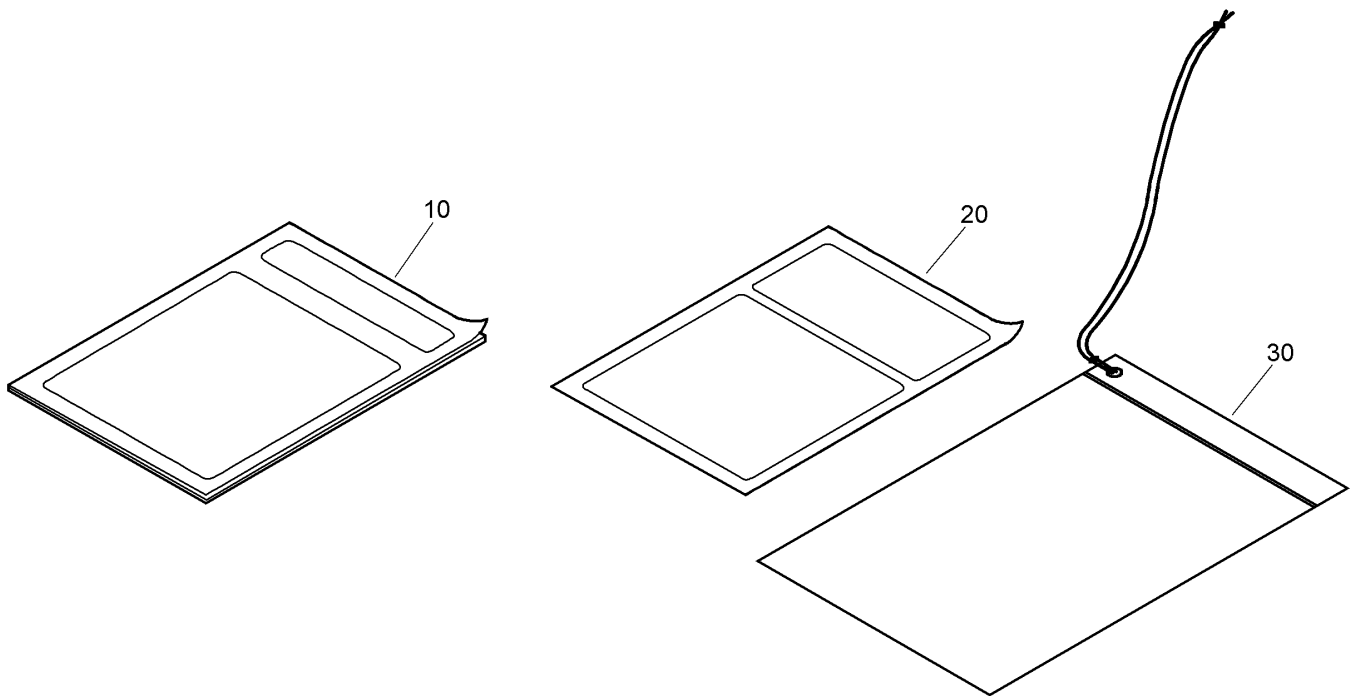




## Miscellaneous Engine Parts (continued)

| <i>Ref.</i> | <i>Part Number</i> | <i>Qty.</i> | <i>Description</i> | <i>Ref.</i> | <i>Part Number</i> | <i>Qty.</i> | <i>Description</i>       |
|-------------|--------------------|-------------|--------------------|-------------|--------------------|-------------|--------------------------|
| 10          | 137-0067           | 8           | O-Ring             | 80          | 139-9730           | 1           | Pipe-Flow, Air           |
| 20          | 137-0065           | 4           | Adapter-Fuel       | 90          | 139-9507           | 2           | Screw-Phillips, Pan Head |
| 30          | 137-0066           | 4           | Bolt-Joint         | 100         | 139-9633           | 1           | Bracket                  |
| 40          | 100-9333           | 1           | Gasket-Muffler     | 110         | 130-1159           | 2           | Bolt-Flange              |
| 50          | 139-9669           | 1           | Valve-Check, Fuel  | 120         | 98-9699            | 2           | Terminal                 |
| 60          | 136-4741           | 1           | Sensor             | 130         | 139-9590           | 1           | Coupler ASM              |
| 70          | 139-9688           | 1           | Sensor-Flow, Air   | 140         | 98-9698            | 1           | Connector                |

# Operator Manual



# Operator Manual (continued)

| <i>Ref.</i> | <i>Part Number</i> | <i>Qty.</i> | <i>Description</i> |
|-------------|--------------------|-------------|--------------------|
| 10          | 139-9699           | 1           | Manual-Operator    |
| 20          | 139-9682           | 1           | Manual-Instruction |
| 30          | 139-9687           | 1           | Bag-Plastic        |

# Attachments and Accessories

## For 22531 TXL 2000 Tool Carrier

| <b>Product Name</b>                             | <b>Model/Part</b> |
|---|-------------------|
| Premium Engine Oil 10w30 (55 Gallon Drum) ..... | 121-6392          |
| Premium Engine Oil 10w30 (5 Gallon Pail) .....  | 121-6393          |
| Premium Engine Oil 15w40 (55 Gallon Drum) ..... | 121-6394          |
| Locking Fuel Cap.....                           | 126-4107          |
| PX Hydraulic Fluid (5 Gal) .....                | 133-8086          |
| PX Hydraulic Fluid (55 Gal).....                | 133-8087          |
| Green Ultra-Low Sulfur Diesel Fuel Cap .....    | 136-4866          |
| Track-Mert .....                                | 136-4869          |
| Light Kit.....                                  | 136-4890          |
| 1000 Hour Filter Kit.....                       | 136-4897          |
| 50 Hour Filter Kit.....                         | 136-4898          |
| 400 Hour Filter Kit.....                        | 136-4899          |
| 4 PK Premium All-Season HYD Fluid-Gallon .....  | 138-9459          |
| Auxiliary Wire Harness Kit .....                | 139-1188          |
| Auger Drive.....                                | 22532             |
| Trencher Head.....                              | 22533             |
| Brush Cutter .....                              | 22534             |
| Grapple.....                                    | 22535             |
| Power Rake .....                                | 22536             |
| Angle Broom.....                                | 22538             |
| Skeleton Grapple.....                           | 22541             |
| Tiller.....                                     | 22542             |
| Pick-Up Broom .....                             | 22543             |
| High Volume Bucket with Edge.....               | 22546             |
| Standard Bucket with Edge.....                  | 22547             |
| Grading Bucket.....                             | 22548             |
| Adjustable Forks.....                           | 22549             |
| Leveler.....                                    | 22550             |
| U-Blade.....                                    | 22572             |
| Stump Bucket .....                              | 22573             |
| Standard Bucket without Edge.....               | 22576             |
| Dingo TXL 2000 Snow Thrower.....                | 22583             |

**Notes:**

**Notes:**

**Notes:**



**Count on it.**