



Count on it.

Parts Catalog

**Flex-Force Power System™ 60V
MAX 43cm Lawn Mower**

Model No. 21843—Serial No. 322000001 and Up



Ordering Replacement Parts

To order replacement parts, please supply the part number, the quantity, and the description of each part desired.

Understanding Reference Numbers

Each identified part in an illustration has a reference number. The reference number for a part also appears in the parts list, along with other information about the part.

This catalog uses two special reference number formats, one to indicate parts in a service assembly and another to indicate the quantity of a given part in an illustration.

Service Assembly Reference Numbers

Parts in service assemblies have reference numbers in the form a:b. The a represents the reference number of the entire service assembly and the b represents a sequential number unique to each part within the service assembly.

For example, a wheel assembly might be identified by reference number 6, the tire by 6:1, the valve by 6:2, and the wheel by 6:3. When you order the assembly identified by reference number 6, you receive all parts identified by reference numbers 6:1, 6:2, and 6:3. However, you may also order any part individually. Reference numbers of this type appear in illustration and in parts lists.

Reference Numbers Indicating Quantity

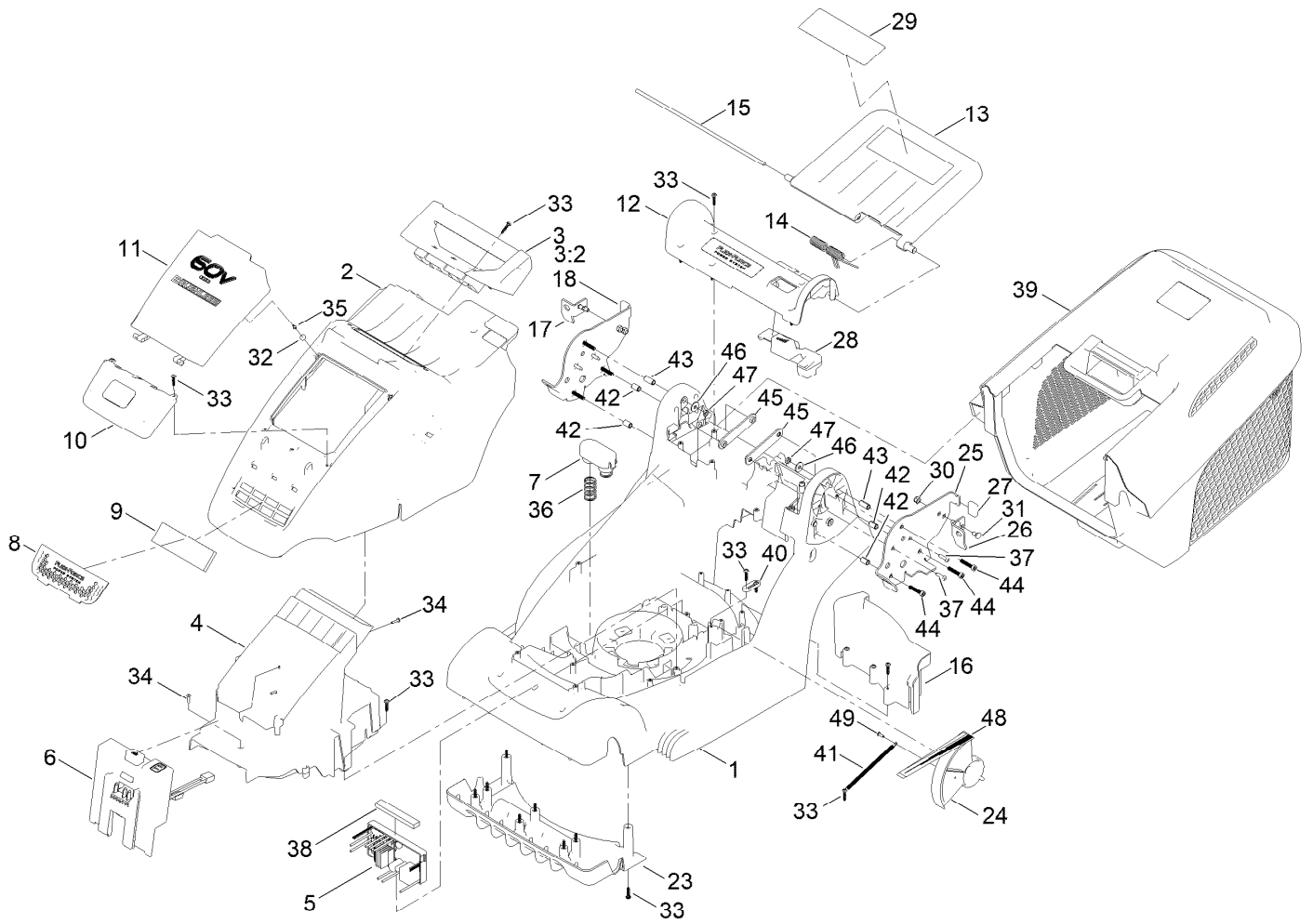
In an illustration, if a reference number indicates more than one part, the reference number has the form nX y. The n represents the quantity of the part, the X is the multiplication symbol, and the y represents the reference number.

For example, in an illustration, the reference number 2X 37 means that two of the parts identified by reference number 37 are indicated.

Contents

Deck and Grass Bag Assembly	4
Battery Interface Assembly No. 134-4105	6
Grass Box Assembly No. 134-6362	8
Motor Module and Blade Asselmbly	10
Traction and Height-of-Cut Assembly	12
Handle Bar Control Assembly	14
Control Arm Assembly No. 134-6359	16
Attachments and Accessories	18

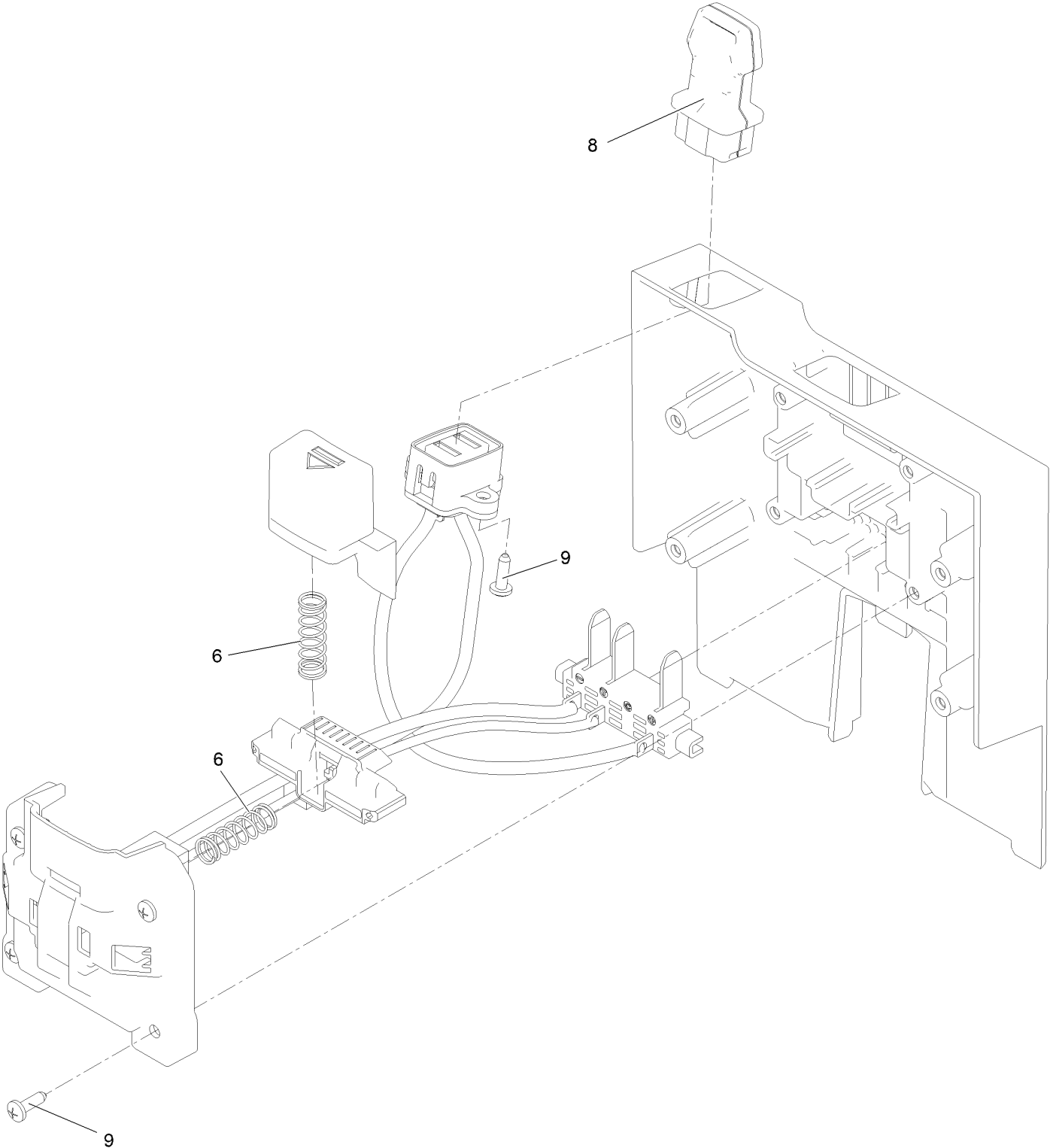
Deck and Grass Bag Assembly



Deck and Grass Bag Assembly (continued)

<i>Ref.</i>	<i>Part Number</i>	<i>Qty.</i>	<i>Description</i>	<i>Ref.</i>	<i>Part Number</i>	<i>Qty.</i>	<i>Description</i>
1	134-4441	1	Deck	26	134-5175	1	Bracket, V-Stow, Left
2	134-5303	1	Top Cover	27	134-4434	2	Rubber Foot-V-Stow
3	134-5312	1	Carry Handle ASM	28	134-5300	1	HOC Button
3:2	134-5411	1	Artwork - 43CM	29	134-4550	1	Decal-Safety, 60V
4	134-4450	1	Battery Holder	30	134-5234	4	Nut-Hex
5	134-4378	1	Driver-Motor, Self Propelled	31	134-5235	4	Bolt-Carriage
5	134-4436	1	Driver-Motor, Push	32	114-5896	2	Magnet
6	134-4105	1	Battery Interface Assembly	33	134-7001	32	Screw-T
7	134-4372	1	Battery Spring Cover	34	111-9903	5	Screw
8	134-4322	1	Air Inlet Grill-Toro	35	134-4375	2	Screw-Txph
9	134-4341	1	Inner Filter-Foam	36	134-4371	2	Spring, Battery Eject
10	134-5316	1	Battery Door Lower, Printed	37	134-5431	10	Screw-T
11	134-5313	1	Battery Door, Printed	38	134-5432	1	Filter, Air-Control Board
12	134-4443	1	HOC Cover	39	134-6362	1	Grass Box ASM
13	134-5302	1	Rear Deflector	40	134-6367	1	Tab
14	134-4037	1	Spring, Rear Deflector	41	134-6356	1	Spring
15	134-4302	1	Rod, Rear Flap	42	134-6369	4	Bush
16	134-6352	1	Grass Shield (43)	43	134-6374	2	Bush
17	134-5177	1	Bracket, V-Stow, Right	44	134-6371	6	Screw-Tsh
18	134-4398	1	Mount Plate, Handlebar, Right	45	134-6370	2	Brace-Bar
23	134-4100	1	Front Fins	46	134-5439	2	Washer-Plain
24	134-6037	1	HOC Dial, Printed	47	134-6376	2	Nut-Hex
25	134-4396	1	Mount Plate, Handlebar, Left	48	134-6817	1	Decal - HOC (Toro 43CM)
				49	134-5361	1	Screw-T

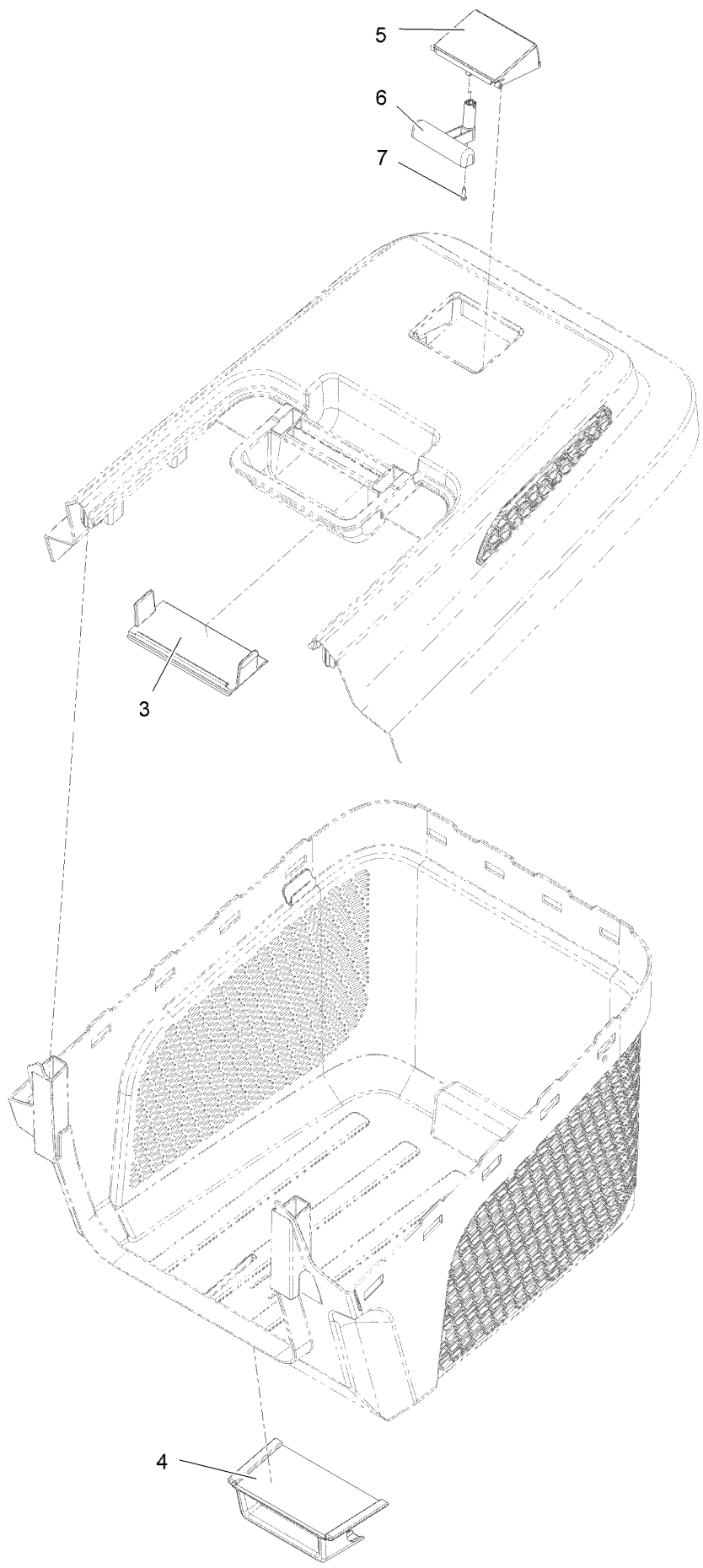
Battery Interface Assembly No. 134-4105



Battery Interface Assembly No. 134-4105 (continued)

<i>Ref.</i>	<i>Part Number</i>	<i>Qty.</i>	<i>Description</i>
6	134-5362	2	Spring, Battery Latch
8	134-4385	1	Power Key
9	134-5361	6	Screw-T

Grass Box Assembly No. 134-6362

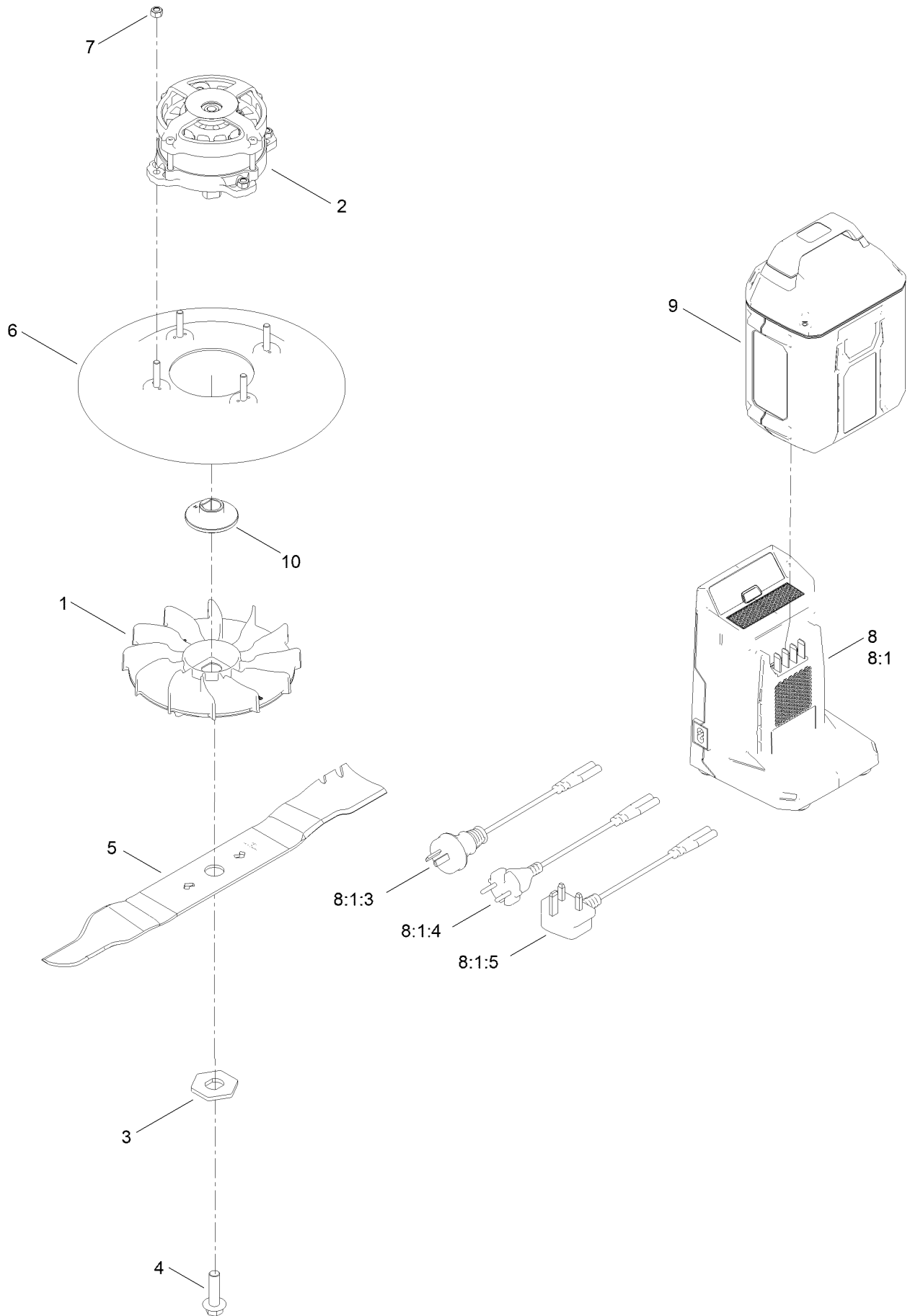


Grass Box Assembly No. 134-6362 (continued)

<i>Ref.</i>	<i>Part Number</i>	<i>Qty.</i>	<i>Description</i>
3	134-4141	1	Grass Box Handle Infill
4	134-4388	1	Grass Box Hook
5	134-4143	1	Grass Box Full Indicator

<i>Ref.</i>	<i>Part Number</i>	<i>Qty.</i>	<i>Description</i>
6	134-5430	1	Counter Weight
7	134-5435	1	Screw-T

Motor Module and Blade Asselmbly

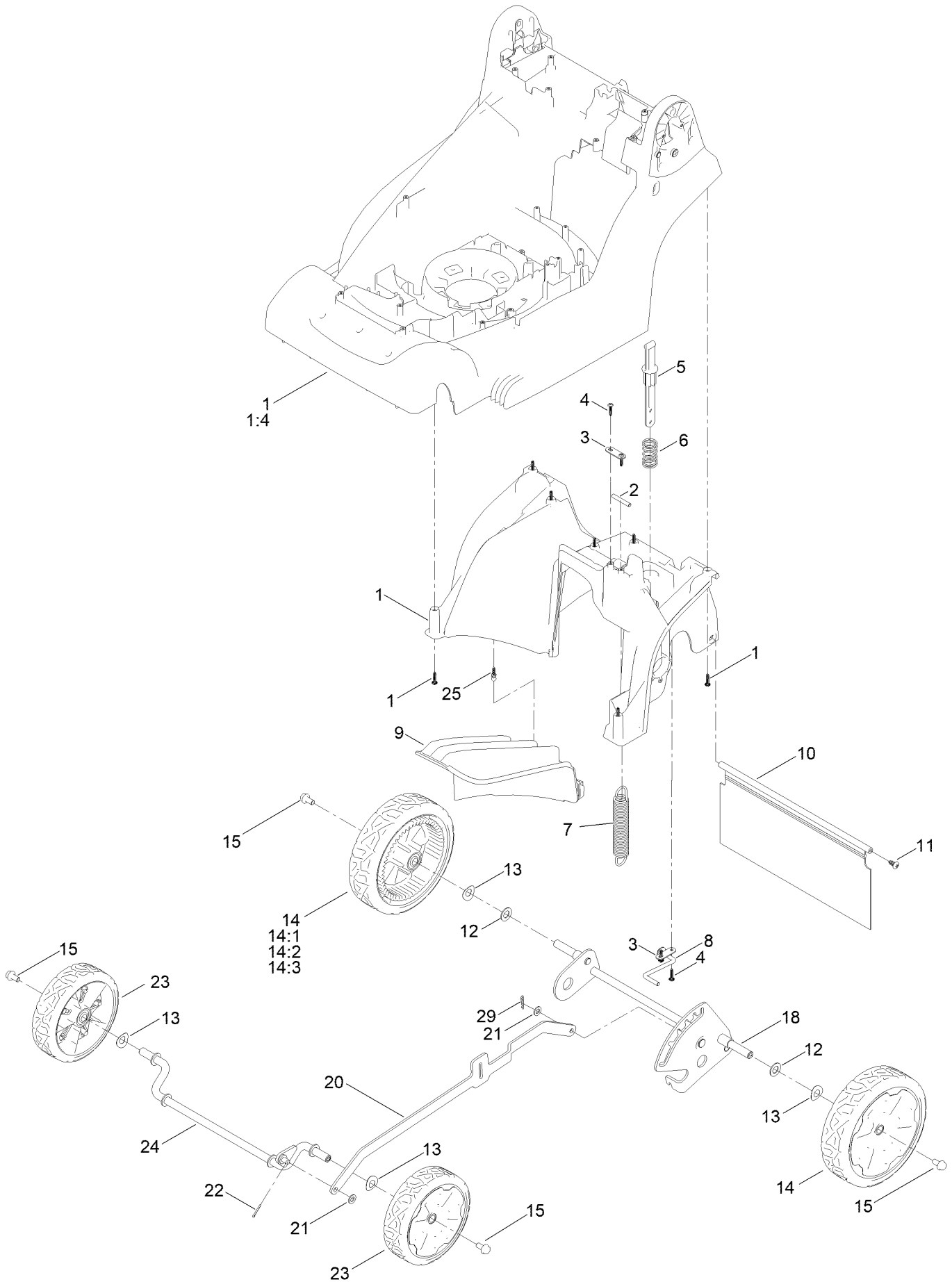


Motor Module and Blade Asselmbly (continued)

<i>Ref.</i>	<i>Part Number</i>	<i>Qty.</i>	<i>Description</i>	<i>Ref.</i>	<i>Part Number</i>	<i>Qty.</i>	<i>Description</i>
1	134-8648	1	Fan, Square Hole	8:1		1	60V Charger 2 Amp ●
2	134-4101	1	Motor, Brushless, 60V, 850W	8:1:3	140-2192	1	Cord-Charger, Au/Nz
3	134-8649	1	Washer, Hex	8:1:4	140-2193	1	Cord-Charger, CE
4	134-4383	1	Blade Bolt	8:1:5	140-2194	1	Cord-Charger, Uk
5	134-5199	1	Blade, Mulch, 43CM	9	81850	1	Battery-Li-Ion, 60V 4.0Ah, CE
5	134-5255	1	Blade, 43CM	9	CODE104A	1	Battery-Li-Ion, 60V 4.0Ah, CE, Hytr
6	134-4024	1	Blade Cover	10	134-8647	1	Boss, Blade Sintered
7	134-4467	4	Nut-Hex				
8	139-8291	1	60V Charger CE				
8	CODE120A	1	60V Battery Charger 2 Amp CE Hayter				

● Not serviced separately

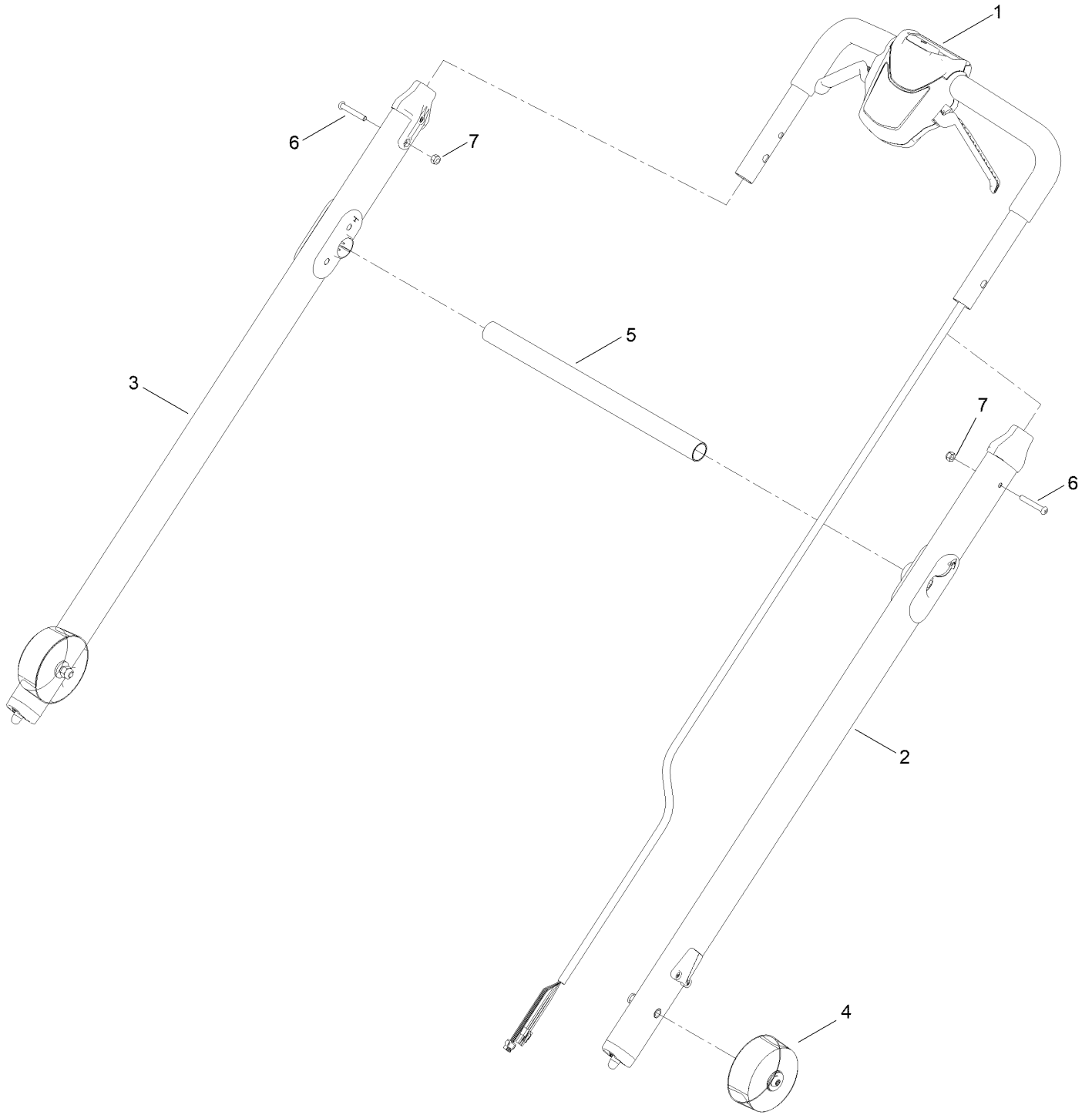
Traction and Height-of-Cut Assembly



Traction and Height-of-Cut Assembly (continued)

<i>Ref.</i>	<i>Part Number</i>	<i>Qty.</i>	<i>Description</i>	<i>Ref.</i>	<i>Part Number</i>	<i>Qty.</i>	<i>Description</i>
1	134-6914	1	Deck, Glued (43)	14	134-4363	2	Wheel-Rear Assembly
1:4	134-5099	1	Decal - Safety	14:1	134-4404	1	Wheel-Toro Rear
2	134-4096	1	Bar, Spring Mount	14:2	134-4377	2	Bearing
3	134-4394	2	Axle Plate, Small	14:3	134-4366	1	Rear Wheel Trim - Toro
4	134-7001	2	Screw-T	15	134-4358	4	Bolt-HF
5	134-4319	1	HOC Button Plunger	18	134-4050	1	Rear Axle Frame, Assy, Wheel
6	134-4088	1	Spring, HOC Button	20	134-4029	1	Con-Rod, 4 Wheel
7	134-4092	1	HOC Spring, 4 Wheel	21	106-4756	2	Washer-Plain
8	134-7568	1	HOC Wire ASM	22	134-4454	2	Cotter Pin
9	134-5295	1	Mulch Plug	23	134-4307	2	Wheel-Toro Front Assembly
10	134-4437	1	Shield-Trailing	24	134-4312	1	Front Axle, Assembly
11	117-1092	2	Screw-PTH	25	134-5294	2	Pin, Retaining, Mulch Plug
12	ZWP1L000U	4	Washer-Plain	29	134-6827	1	Cotter Pin
13	134-4457	4	Washer-Wave				

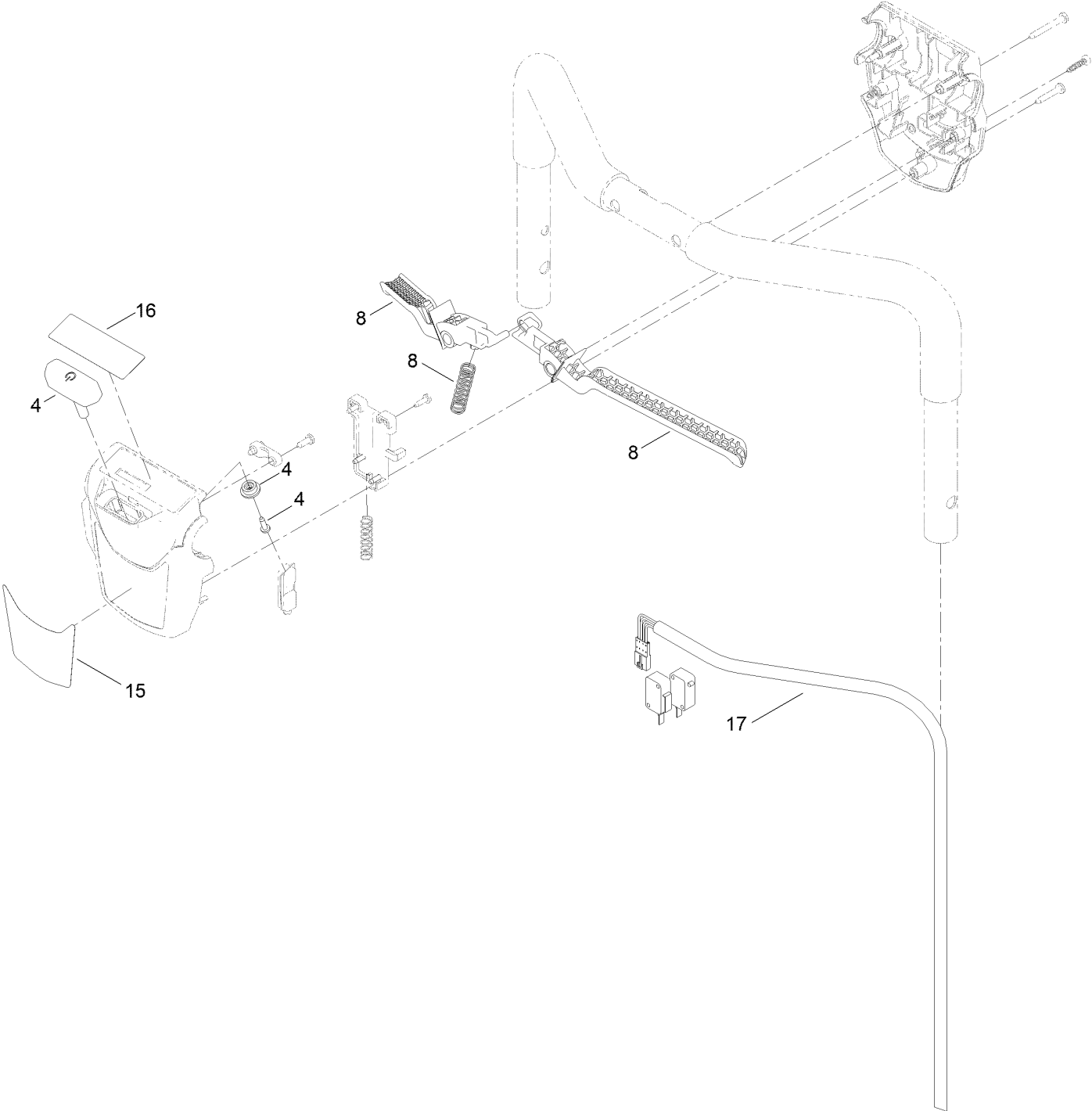
Handle Bar Control Assembly



Handle Bar Control Assembly (continued)

<i>Ref.</i>	<i>Part Number</i>	<i>Qty.</i>	<i>Description</i>	<i>Ref.</i>	<i>Part Number</i>	<i>Qty.</i>	<i>Description</i>
1	134-6359	1	Control Lever ASM, Push	5	134-4458	1	Brace, Handlebar Release
2	134-6353	1	Handlebar ASM, LH	6	134-5206	2	Bolt-P
3	134-6354	1	Handlebar ASM, RH	7	134-5234	2	Nut-Hex
4	134-4416	2	Handlebar End Cap				

Control Arm Assembly No. 134-6359



Control Arm Assembly No. 134-6359 (continued)

<i>Ref.</i>	<i>Part Number</i>	<i>Qty.</i>	<i>Description</i>	<i>Ref.</i>	<i>Part Number</i>	<i>Qty.</i>	<i>Description</i>
4	134-6903	1	Top Button Kit	16	134-5297	1	Decal - Boost Key Mat
8	134-6904	1	Upper Lever Kit (43)	17	134-5455	1	Wiring Loom, Push
15	134-2697	1	Decal - Volta Handle				

Attachments and Accessories

For 21843 Flex-Force Power System 60V MAX 43cm Lawn Mower

Product Name	Model/Part
60V 2.5 AH Battery CE	81825
60V 4.0 AH Battery CE	81850
60V 6.0 AH Battery CE	81860
60V 7.5 AH Battery CE	81875
60V Battery Charger 2 Amp CE	81802
60v Battery Charger 5 Amp International	81805

For 21843 Flex-Force Power System 60V MAX 43cm Lawn Mower

Product Name	Model/Part
60V 2.5 AH Battery CE	81825
60V 4.0 AH Battery CE	81850
60V 6.0 AH Battery CE	81860
60V 7.5 AH Battery CE	81875
60V Battery Charger 2 Amp CE	81802
60v Battery Charger 5 Amp International	81805

Notes:



Count on it.