



---

**EN Flex-Force Power System® 60V  
MAX Leaf Blower**

51827, 51827T

**ES Soplador de hojas Flex-Force  
Power System® 60V MAX**

51827, 51827T

**FR Souffleur Flex-Force Power  
System® 60 V MAX**

51827, 51827T







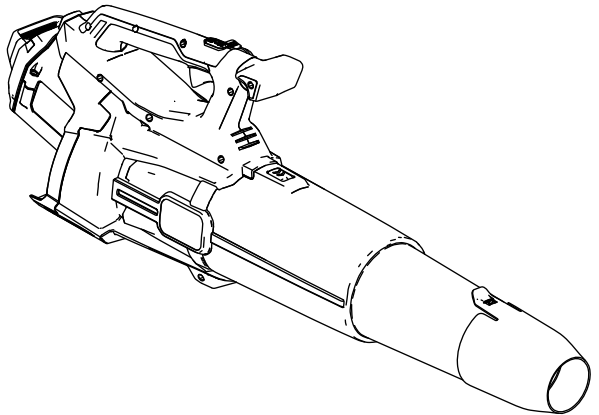
**Count on it.**

**Operator's Manual**

# Flex-Force Power System® 60V MAX Leaf Blower

Model No. 51827—Serial No. 324000000 and Up

Model No. 51827T—Serial No. 324000000 and Up





For assistance, please see [www.Toro.com/support](http://www.Toro.com/support) for instructional videos or contact 1-888-384-9939 before returning this product.

## **⚠ WARNING**

### **CALIFORNIA Proposition 65 Warning**

The power cord on this product contains lead, a chemical known to the State of California to cause birth defects or other reproductive harm. Wash hands after handling.

Use of this product may cause exposure to chemicals known to the State of California to cause cancer, birth defects, or other reproductive harm.

## **Introduction**

This blower is intended to be used by residential homeowners to move leaf-like debris as needed outdoors. It is designed to use Flex-Force 60V lithium-ion battery packs. These battery packs are designed to be charged only by Flex-Force 60V lithium-ion battery chargers. Using these products for purposes other than their intended use could prove dangerous to you and bystanders.

**Model 51827T does not include a battery or a charger.**

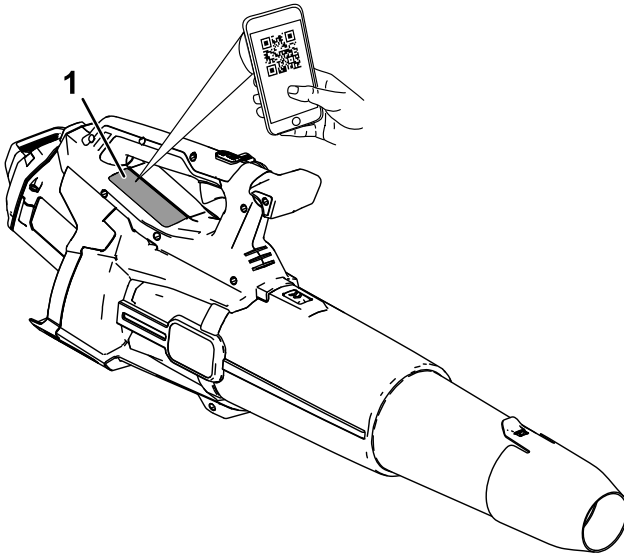
Read this information carefully to learn how to operate and maintain your product properly and to avoid injury and product damage. You are responsible for operating the product properly and safely.



Visit [www.Toro.com](http://www.Toro.com) for more information, including safety tips, training materials, accessory information, help finding a dealer, or to register your product.

Whenever you need service, genuine Toro parts, or additional information, contact an Authorized Service Dealer or Toro Customer Service and have the model and serial numbers of your product ready. **Figure 1** identifies the location of the model and serial numbers on the product. Write the numbers in the space provided.

**Important:** With your mobile device, you can scan the QR code (if equipped) on the serial number plate to access warranty, parts, and other product information.



**Figure 1**

g472719

1. Model and serial number location.

---

<p><b>Model No.</b> _____</p> <p><b>Serial No.</b> _____</p>
--

# Safety-Alert Symbol

The safety-alert symbol (Figure 2) shown in this manual and on the machine identifies important safety messages that you must follow to prevent accidents.



**Figure 2**  
Safety-alert symbol

g000502

---

The safety-alert symbol appears above information that alerts you to unsafe actions or situations and is followed by the word **DANGER**, **WARNING**, or **CAUTION**.

**DANGER** indicates an imminently hazardous situation which, if not avoided, **will** result in death or serious injury.

**WARNING** indicates a potentially hazardous situation which, if not avoided, **could** result in death or serious injury.

**CAUTION** indicates a potentially hazardous situation which, if not avoided, **may** result in minor or moderate injury.

This manual uses two other words to highlight information. **Important** calls attention to special mechanical information and **Note** emphasizes general information worthy of special attention.

# Safety

## **⚠ WARNING**

Read all safety warnings, instructions, illustrations and specifications provided with this machine.

***Failure to follow all instructions listed below may result in electric shock, fire and/or serious injury.***

Save all warnings and instructions for future reference.

*The term “machine” in all the warnings refers to your mains-operated (corded) machine or battery-operated (cordless) machine.*

### **I. Work area safety**

- 1. Keep work area clean and well lit.** *Cluttered or dark areas invite accidents.*
- 2. Do not operate machines in explosive atmospheres, such as in the presence of flammable liquids, gases, or dust.** *Machines create sparks which may ignite the dust or fumes.*
- 3. Keep children and bystanders away while operating a machine.** *Distractions can cause you to lose control.*

### **II. Electrical safety**

- 1. Machine plugs must match the outlet. Never modify the plug in any way. Do not use any adapter plugs with earthed (grounded) machines.** *Unmodified plugs and matching outlets will reduce risk of electric shock.*
- 2. Avoid body contact with earthed or grounded surfaces, such as pipes, radiators, ranges and refrigerators.** *There is an increased risk of electric shock if your body is earthed or grounded.*
- 3. Do not expose machines to rain or wet conditions.** *Water entering a machine will increase the risk of electric shock.*
- 4. Do not abuse the cord. Never use the cord for carrying, pulling or unplugging the machine. Keep cord away from heat, oil, sharp edges or moving parts.** *Damaged or entangled cords increase the risk of electric shock.*

5. **When operating a machine outdoors, use an extension cord suitable for outdoor use.** *Use of a cord suitable for outdoor use reduces the risk of electric shock.*
6. **If operating a machine in a damp location is unavoidable, use a residual current device (RCD) protected supply.** *Use of an RCD reduces the risk of electric shock.*

### III. Personal safety

1. **Stay alert, watch what you are doing and use common sense when operating a machine. Do not use a machine while you are tired or under the influence of drugs, alcohol, or medication.** *A moment of inattention while operating machines may result in serious personal injury.*
2. **Use personal protective equipment. Always wear eye protection.** *Protective equipment such as a dust mask, non-skid safety shoes, hard hat, or hearing protection used for appropriate conditions reduces personal injuries.*
3. **Prevent unintentional starting. Ensure the switch is in the OFF-position before connecting to power source and/or battery pack, picking up or carrying the tool.** *Carrying machines with your finger on the switch or energizing machines that have the switch on invites accidents.*
4. **Remove any adjusting key or wrench before turning the machine on.** *A wrench or a key left attached to a rotating part of the machine may result in personal injury.*
5. **Do not overreach. Keep proper footing and balance at all times.** *This enables better control of the machine in unexpected situations.*
6. **Dress properly. Do not wear loose clothing or jewelry. Keep your hair and clothing away from moving parts.** *Loose clothes, jewelry, or long hair can be caught in moving parts.*
7. **If devices are provided for the connection of dust extraction and collection facilities, ensure these are connected and properly used.** *Use of dust collection can reduce dust-related hazards.*
8. **Do not let familiarity gained from frequent use of tools allow you to become complacent and ignore tool safety principles.** *A careless action can cause severe injury within a fraction of a second.*



#### IV. Machine use and care

1. **Do not force the machine. Use the correct machine for your application.** *The correct machine will do the job better and safer at the rate for which it was designed.*
2. **Do not use the machine if the switch does not turn it on and off.** *Any machine that cannot be controlled with the switch is dangerous and must be repaired.*
3. **Disconnect the plug from the power source and/or remove the battery pack, if detachable, from the machine before making any adjustments, changing accessories, or storing machines.** *Such preventive safety measures reduce the risk of starting the machine accidentally.*
4. **Store idle machines out of the reach of children and do not allow persons unfamiliar with the machine or these instructions to operate the machine.** *Machines are dangerous in the hands of untrained users.*
5. **Maintain machines and accessories. Check for misalignment or binding of moving parts, breakage of parts, and any other condition that may affect the machine's operation. If damaged, have the machine repaired before use.** *Many accidents are caused by poorly maintained machines.*
6. **Keep cutting tools sharp and clean.** *Properly maintained cutting tools with sharp cutting edges are less likely to bind and are easier to control.*
7. **Use the machine, accessories, and tool bits etc. in accordance with these instructions, taking into account the working conditions and the work to be performed.** *Use of the machine for operations different from those intended could result in a hazardous situation.*
8. **Keep handles and grasping surfaces dry, clean and free from oil and grease.** *Slippery handles and grasping surfaces do not allow for safe handling and control of the tool in unexpected situations.*

## V. Battery tool use and care

1. **Recharge only with the charger specified by the manufacturer.** *A charger that is suitable for one type of battery pack may create a risk of fire when used with another battery pack.*
2. **Use machines only with specifically designated battery packs.** *Use of any other battery packs may create a risk of injury and fire.*
3. **When battery pack is not in use, keep it away from other metal objects, like paper clips, coins, keys, nails, screws or other small metal objects, that can make a connection from one terminal to another.** *Shorting the battery terminals together may cause burns or a fire.*
4. **Under abusive conditions, liquid may be ejected from the battery; avoid contact. If contact accidentally occurs, flush with water. If liquid contacts eyes, additionally seek medical help.** *Liquid ejected from the battery may cause irritation or burns.*
5. **Do not use a battery pack or tool that is damaged or modified.** *Damaged or modified batteries may exhibit unpredictable behavior resulting in fire, explosion or risk of injury.*
6. **Do not expose a battery pack or tool to fire or excessive temperature.** *Exposure to fire or temperature above 130 °C (265 °F) may cause explosion.*
7. **Follow all charging instructions and do not charge the battery pack or tool outside the temperature range specified in the instructions.** *Charging improperly or at temperatures outside the specified range may damage the battery and increase the risk of fire.*

## VI. Service

1. **Have your machine serviced by a qualified repair person using only identical replacement parts.** *This will ensure that the safety of the machine is maintained.*
2. **Never service damaged battery packs.** *Service of battery packs should only be performed by the manufacturer or authorized service providers.*

## VII. Blower safety

1. **Do not use the machine in bad weather conditions, especially when there is a risk of lightning.** *This decreases the risk of being struck by lightning.*
2. **Wear eye protection and ear protection.** *Adequate protective equipment will reduce the risk of personal injury.*
3. **While operating the machine, always wear non-slip and protective footwear. Do not operate the machine when barefoot or wearing open sandals.** *This reduces the risk of injury to the feet.*
4. **Do not wear loose fitting clothing or articles such as scarves, strings, chains, ties, etc., that could get drawn into the air inlets. Tie back or cover long hair to make sure it does not get drawn into the air inlets.** *If any of these items are drawn into the air inlets, it can increase the risk of personal injury.*
5. **Keep bystanders away while operating the machine.** *Thrown debris can increase the risk of personal injury.*
6. **Never point the blower nozzle in the direction of people or pets or in the direction of windows. Use extra caution when blowing debris near solid objects, such as trees, automobiles and walls that can cause debris to ricochet.** *Thrown objects can damage property and increase the risk of personal injury.*
7. **Do not use the machine to blow anything that is burning or smoking, such as cigarettes, matches or hot ashes.** *These ignition sources may increase the risk of fire.*
8. **Do not touch the fan while still in motion. Turn off the machine and wait until the fan stops before removing any part that may give access to the fan.** *This reduces the risk of injury from moving parts.*
9. **When clearing jammed material or servicing the machine, make sure the power switch is off.** *Unexpected starting of the machine while clearing jammed material or servicing may result in serious personal injury.*

# Safety and Instructional Decals



Safety decals and instructions are easily visible to the operator and are located near any area of potential danger. Replace any decal that is damaged or missing.

**WARNING** To reduce risk of injury to persons, remove battery pack when not in use. For household use only. Store indoors. For use with approved TORO 60V accessories, batteries & charger models.

**AVERTISSEMENT** Pour réduire les risques de blessures corporelles, retirez la batterie quand vous ne l'utilisez pas. Réservez l'usage domestique. Remisez à l'intérieur. À utiliser avec les accessoires, batteries et modèles de chargeurs TORO 60V approuvés.

**ADVERTENCIA** Para reducir el riesgo de lesiones a personas, retire la batería cuando no esté en uso. Únicamente para uso doméstico. Almacenar en espacios interiores. Para su uso con modelos aprobados de baterías y cargadores TORO de 60 V.

**WARNING: Cancer and Reproductive Harm** - [www.P65Warnings.ca.gov](http://www.P65Warnings.ca.gov). For more information, please visit [www.ttcoCAProp65.com](http://www.ttcoCAProp65.com)

**AVERTISSEMENT: Cancer et Troubles de l'appareil reproducteur** - [www.P65Warnings.ca.gov](http://www.P65Warnings.ca.gov). Pour plus d'informations, veuillez visiter [www.toro.com/CAProp65](http://www.toro.com/CAProp65)

**ADVERTENCIA: Cáncer y Daño Reproductivo** - [www.P65Warnings.ca.gov](http://www.P65Warnings.ca.gov). Para obtener más información, visite [www.toro.com/CAProp65](http://www.toro.com/CAProp65)

decal161-7051

161-7051

**60V MAX\* DC BLOWER / VENTILATEUR / SOPLADOR** PATENT: [www.ttcopats.com](http://www.ttcopats.com) Country of Origin: Vietnam

\*60VDC MAXIMUM / 54VDC NOMINAL \*60 VDC MAXIMUM / 54 VDC NOMINALE

THE TORO COMPANY Conforms to / Conforme à la norme/ Cumple la norma UL STD 62841-1 & 62841-4-6

8111 Lyndale Avenue South Certified to / Certifié / Homologada según Intertek

Bloomington, MN 55420-1196 USA

CSA STD CAN/CSA-C22.2 No. 62841-1 & CAN/CSA-C22.2 No. 62841-4-6 5018666 Numéro de série / Número de Serie :

Model: 51827T

Modèle / Modelo :

Date Code: [REDACTED]

Code de date / Código de fecha : [REDACTED]

Serial Number: [REDACTED]

QR CODE HERE

decal161-7054

161-7054

1. Warning—read the *Operator's Manual*; wear eye and ear protection; do not expose to rain or snow; stay away from moving parts; keep all guards and shields in place; remove the battery pack before performing maintenance.
2. Warning—keep bystanders away from the machine in all directions.
3. Thrown object hazard—keep bystanders away.

**60V MAX\* DC** **BLOWER / VENTILATEUR / SOPLADOR** PATENT: [www.ttcopats.com](http://www.ttcopats.com) Country of Origin: Vietnam

\*60VDC MAXIMUM / 54VDC NOMINAL \*60 VDC MAXIMUM / 54 VDC NOMINALE

Model: **51827**

THE TORO COMPANY \*60 VDC MÁXIMA / 54 VDC NOMINAL  
8111 Lyndale Avenue South Conforms to / Conforme à la norme / Cumpõe  
Bloomington, MN 55420-1196 USA la norma UL STD 92841-1 & 92841-4-6

Code de date / Código de fecha: **MM YY**

Serial Number: **00000000**

Model / Modèle / Modelo: **88902**

CSA STD CAN/CSA-C22.2 No. 62841-1 & CAN/CSA-C22.2 No. 62841-4-6 5018666 Numéro de série / Número de Serie :

INTEK

QR CODE HERE

decal161-7050

**161-7050**

- Warning—read the *Operator's Manual*; wear eye and ear protection; do not expose to rain or snow; stay away from moving parts; keep all guards and shields in place; remove the battery pack before performing maintenance.
- Warning—keep bystanders away from the machine in all directions.
- Thrown object hazard—keep bystanders away.

**FLEX-FORCE**  
POWER SYSTEM<sup>®</sup> LI-ION

CHARGING PROCEDURE (LED INDICATOR) DO NOT REMOVE THIS DECAL

100%

PROCE (1) DE CHARGEMEN (2) ANT DEL  
N RETIRER CET AUT ANT

PROCE (3) NTO DE CARGA (INDI (4) RES LED)  
REMUUEVAS ESTA PEGA

decal161-3775

**161-3775**

- The battery pack is charging.
- The battery pack is fully charged.
- The battery pack is over or under the appropriate temperature range.
- Battery pack charging fault

LITHIUM-ION BATTERY CHARGER  
CHARGEUR DE BATTERIE LITHIUM-ION  
CARGADOR DE BATERIA DE ION-LITIO

Input: 120V AC ~ 60Hz 2A / Output: 60V DC 2A MAX

Backfeed Protection / Protection contre le retour d'énergie / Protección frente a retroalimentación

THE TORO COMPANY  
8111 Lyndale Avenue South  
Bloomington, MN 55420-1196 USA

PATENT: [www.ttcopats.com](http://www.ttcopats.com) Country of Origin: China

Serial Number: **00000000** Code de date / Código de fecha: **MM YY**

Model / Modèle / Modelo: **88902**

Conforms to / Conforme à la norme / Cumpõe la norma IEC 60335-1  
Intertek Certified to / Certifié / Homologado según  
5013379 CSA STD C22.2 No.101.2

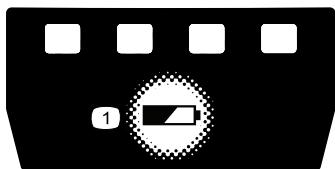
Other than Class 2 Battery Charger  
Autre que Chargeur de batterie Classe 2  
Cargador de baterías distinto al de Clase 2

CAN ICES-3(B)/NMB-3(B)

QR CODE HERE

decal161-3774

**161-3774**



decal161-3764

## 161-3764

### 1. Battery charge status

---



decal161-7064

## 161-7064

1. Read the *Operator's Manual* .
  2. Call2Recycle® battery recycling program
  3. Recycle the battery
  4. Do not dispose improperly
  5. Keep away from open fire or flames
  6. Do not expose to rain
  7. Electrical shock hazard
-

# Setup

**Important:** The battery pack is not fully charged when you purchase it. Before using the tool for the first time, refer to [Charging the Battery Pack \(page 21\)](#).

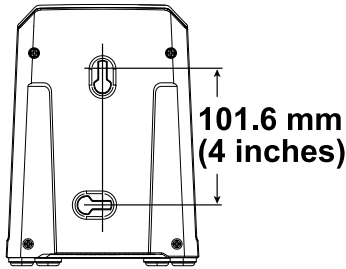
## Mounting the Battery Charger (Optional)

If desired, mount the battery charger securely on a wall using the wall-mount key holes on the back of the charger.

Mount it indoors (such as a garage or other dry place), near a power outlet, and out of the reach of children.

Refer to [Figure 3](#) for assistance in mounting the charger.

Slide the charger over the appropriately positioned hardware to secure the charger in place (hardware not included).



**Figure 3**

g290534

# Assembling the Blower

1. Install the blower nozzle to the blower tube.

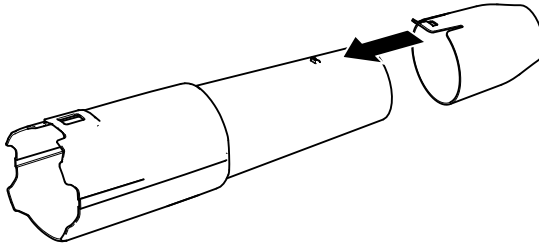


Figure 4

g472735

- 
2. Slide the blower tube onto the blower housing. You may need to press down on the tube latch for the blower tube to lock into place (Figure 5).

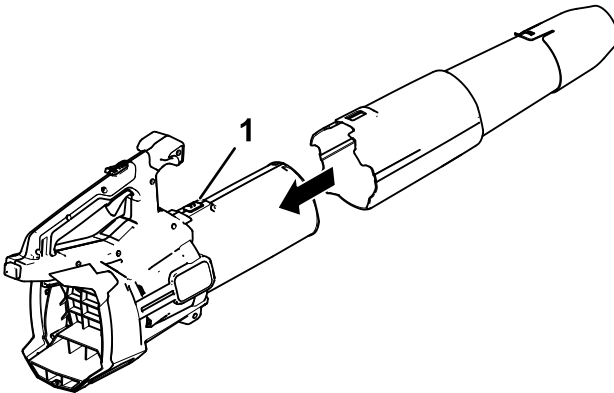


Figure 5

g472734

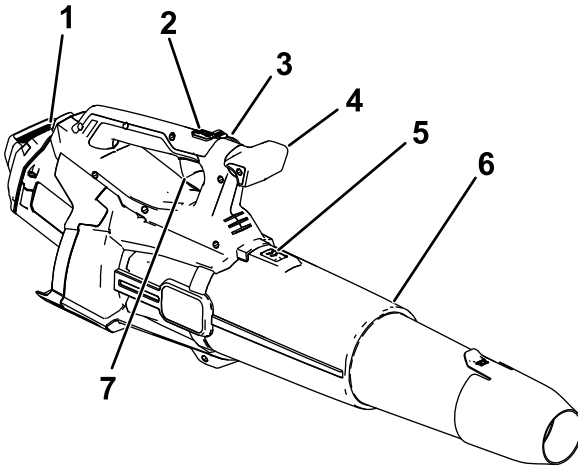
1. Tube latch

---

**Note:** The blower can also be operated without the nozzle, or with the blower tube removed completely.



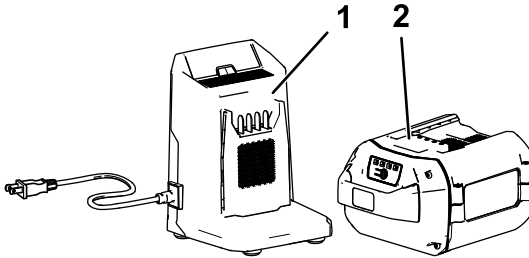
# Product Overview



**Figure 6**

g472736

- |                               |                           |
|-------------------------------|---------------------------|
| 1. Battery and battery cavity | 5. Blower tube latch      |
| 2. Turbo boost button         | 6. Blower tube            |
| 3. Speed lock                 | 7. Variable-speed trigger |
| 4. Handle knob                |                           |



**Figure 7**

g355813

- |  |   |
|--|---|
| 1. Battery charger Model 88902 (included with Model 51827) | 2. Battery pack Model 88941 (included with Model 51827) |
|--|---|

# Specifications

<b>Model</b>	51827, 51827T
<b>Rated Voltage</b>	60V DC maximum, 54 VDC nominal usage
<b>Charger Type</b>	Flex-Force 60V lithium-ion chargers
<b>Battery Type</b>	Flex-Force 60V lithium-ion batteries

## Appropriate Temperature Ranges

Charge/ store the battery pack at	5°C (41°F) to 40°C (104°F)*
Use the battery pack at	-30°C (-22°F) to 49°C (120°F)
Use the blower at	-30°C (-22°F) to 49°C (120°F)

\*Charging time will increase if you do not charge the battery within this range.

Store the tool, battery pack, and battery charger in an enclosed clean, dry area.

## Attachments/Accessories

A selection of Toro approved attachments and accessories is available for use with the machine to enhance and expand its capabilities. Contact your Authorized Service Dealer or authorized Toro distributor or go to [www.Toro.com](http://www.Toro.com) for a list of all approved attachments and accessories.

To ensure optimum performance and continued safety certification of the machine, use only genuine Toro replacement parts and accessories. Replacement parts and accessories made by other manufacturers could be dangerous.

# Operation

## **⚠ WARNING**

The blower can throw debris, possibly causing serious personal injury to you or bystanders.

- Do not blow hard objects, such as nails or bolts.
- Do not operate the blower near bystanders or pets.
- Be careful of blowing direction (i.e., blow away from bystanders, windows, automobiles, etc.). Only use as much speed as required.
- Use extra care when cleaning debris from stairs or other tight areas.

## Starting the Blower

**Important:** Use the battery pack only in temperatures that are within the appropriate range; refer to [Specifications \(page 16\)](#).

**Note:** Ensure that you use a battery pack larger than 2.5Ah to reach full power.

1. Ensure that the vents on the blower are clear of any dust and debris.
2. Align the cavity on the battery pack with the tongue in the handle housing ([Figure 8](#)).
3. Grasp the handle, and push the battery pack into the handle until the latch locks into place ([Figure 8](#)).

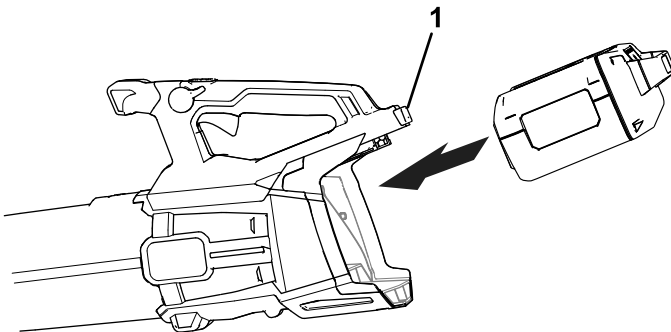


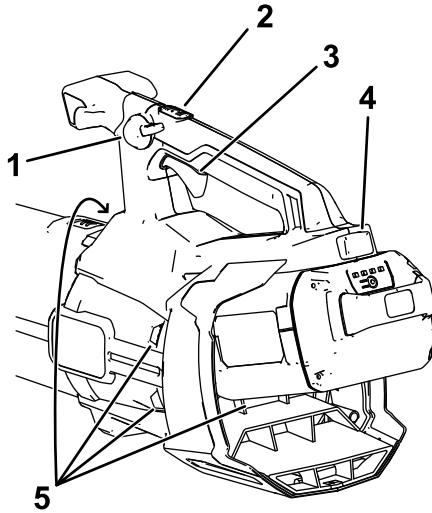
Figure 8

g472718

1. Battery latch

4. To start the blower, squeeze the variable-speed trigger (Figure 9).

**Note:** Engage the speed lock to keep the machine on without pressing the variable-speed trigger (Figure 9).



**Figure 9**

g472737

- |                           |                         |
|---------------------------|-------------------------|
| 1. Speed lock             | 4. Battery latch        |
| 2. Turbo boost button     | 5. Blower venting areas |
| 3. Variable-speed trigger |                         |
-

# Adjusting the Air Speed of the Blower

To adjust the air speed as you blow, use the variable-speed trigger (Figure 9).

To maintain the current air speed, engage the speed lock (Figure 9).

To achieve maximum performance, depress the variable-speed trigger, then press the turbo boost button to turn boost on (Figure 9).

To turn boost off, press the turbo boost button again or completely release the variable speed trigger.

## Shutting Off the Blower

To shut off the blower, disengage the speed lock (if in use) and release the variable-speed trigger (Figure 9).

**Important:** After stopping the blower, do not leave the speed lock engaged with the battery pack in the blower.

Whenever you are not using the blower or are transporting the blower to or from the work area, remove the battery pack.

## Removing the Blower Tube

Press down on the tab latch to separate the blower tube from the blower (Figure 10).

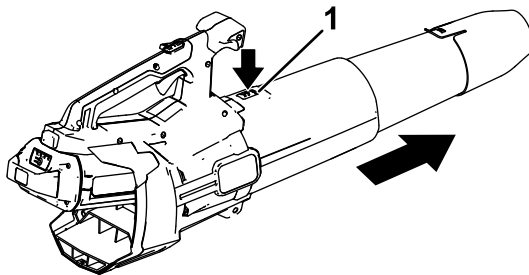


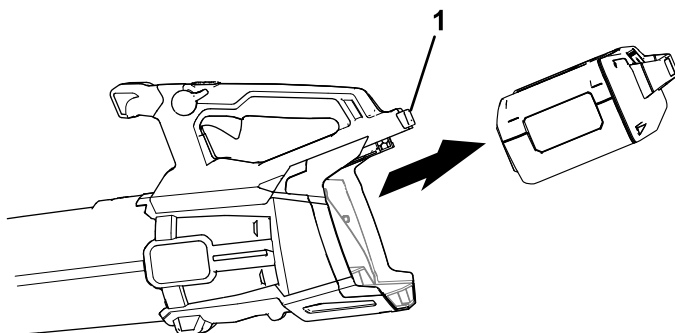
Figure 10

g472738

1. Tube latch

# Removing the Battery from the Blower

Press the battery latch to release the battery pack and slide the battery pack out of the blower (Figure 11).



**Figure 11**

g472739

1. Battery latch
-

# Charging the Battery Pack

**Important:** The battery pack is not fully charged when you purchase it. Before using the tool for the first time, place the battery pack in the charger and charge it until the LED display indicates the battery pack is fully charged. Read all safety precautions.

**Important:** Charge the battery pack only in temperatures that are within the appropriate range; refer to [Specifications \(page 16\)](#).

**Note:** At any time, press the battery-charge-indicator button on the battery pack to display the current charge (LED indicators).

1. Make sure that the vents on the battery and battery charger are clear of any dust and debris.

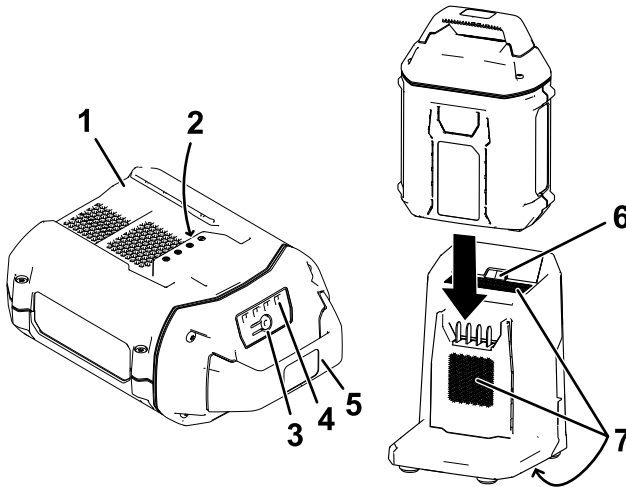


Figure 12

g473274

1. Battery pack cavity
  2. Battery pack terminals
  3. Battery-charge-indicator button
  4. LED indicators (current charge)
  5. Handle
  6. Charger LED indicator light
  7. Charger venting areas
2. Line up the cavity in the battery pack ([Figure 12](#)) with the tongue on the charger.
  3. Slide the battery pack into the charger until it is fully seated ([Figure 12](#)).
  4. To remove the battery pack, slide the battery backward out of the charger.

5. Refer to the following table to interpret the LED indicator light on the battery charger.

Indicator light	Indicates
Off	No battery pack inserted
Green blinking	Battery pack is charging
Green	Battery pack is charged
Red	Battery pack and/or battery charger is over or under the appropriate temperature range
Red blinking	Battery pack charging fault*

\*Refer to [Troubleshooting \(page 24\)](#) for more information.

***Important:*** The battery can be left on the charger for short periods between uses.

If the battery will not be used for longer periods, remove the battery from the charger; refer to [Storage \(page 23\)](#).



# Storage

**Important:** Store the tool, battery pack, and charger only in temperatures that are within the appropriate range; refer to [Specifications \(page 16\)](#).

**Important:** If you are storing the battery pack for the off-season, remove the battery pack from the tool and charge the battery pack until 2 or 3 LED indicators turn green on the battery. Do not store a fully charged or fully depleted battery. When you are ready to use the tool again, charge the battery pack until the left indicator light turns green on the charger or all 4 LED indicators turn green on the battery.

- Disconnect the product from the power supply (i.e., remove the plug from the power supply or the battery pack) and check for damage after use.
- Do not store the tool with the battery pack installed.
- Clean all foreign material from the product.
- When not in use, store the tool, battery pack, and battery charger out of the reach of children.
- Keep the tool, battery pack, and battery charger away from corrosive agents, such as garden chemicals and de-icing salts.
- To reduce the risk of serious personal injury, do not store the battery pack outside or in vehicles.
- Store the tool, battery pack, and battery charger in an enclosed clean, dry area.

# Preparing the Battery Pack for Recycling

**Important:** Upon removal, cover the terminals of the battery pack with heavy-duty adhesive tape. Do not attempt to destroy or disassemble the battery pack or remove any of its components.



Lithium-ion battery packs labeled with the Call2Recycle seal can be recycled at any participating retailer or battery recycling facility in the Call2Recycle program (US and Canada only). To locate a participating retailer or facility closest to you, please call 1-800-822-8837 or visit [www.call2recycle.org](http://www.call2recycle.org). If you cannot locate a participating retailer or facility nearby, or if your rechargeable battery is not labeled with the Call2Recycle seal, please contact your local municipality for more information on how to responsibly recycle the battery. If you are located outside of the US and Canada, please contact your authorized Toro distributor.

## Troubleshooting

Perform only the steps described in these instructions. All further inspection, maintenance, and repair work must be performed by an authorized service center or a similarly qualified specialist if you cannot solve the problem yourself.

Always remove the battery from the tool when troubleshooting, inspecting, maintaining, or cleaning the tool.

Problem	Possible Cause	Corrective Action
The tool does not start.	<ol style="list-style-type: none"><li>1. The battery is not fully installed in the tool.</li><li>2. The battery pack is not charged.</li><li>3. The battery pack is damaged.</li><li>4. There is another electrical problem with the tool.</li></ol>	<ol style="list-style-type: none"><li>1. Remove and then replace the battery into the tool, making sure that it is fully installed and latched.</li><li>2. Remove the battery pack from the tool and charge it.</li><li>3. Replace the battery pack.</li><li>4. Contact an Authorized Service Dealer.</li></ol>

<b>Problem</b>	<b>Possible Cause</b>	<b>Corrective Action</b>
The tool does not reach full power.	<ol style="list-style-type: none"> <li>1. The battery pack charge capacity is too low.</li> <li>2. The air vents are blocked.</li> </ol>	<ol style="list-style-type: none"> <li>1. Remove the battery pack from the tool and fully charge the battery pack.</li> <li>2. Remove the battery pack from the tool and clean the air vents.</li> </ol>
The tool does not run or does not run continuously.	<ol style="list-style-type: none"> <li>1. There is moisture on the leads of the battery pack.</li> <li>2. The battery is not fully installed in the tool.</li> <li>3. The battery pack is low on charge.</li> </ol>	<ol style="list-style-type: none"> <li>1. Allow the battery pack to dry or wipe it dry.</li> <li>2. Remove and then replace the battery in the tool, ensuring that it is fully installed and latched.</li> <li>3. Charge the battery pack.</li> </ol>
The battery pack loses charge quickly.	<ol style="list-style-type: none"> <li>1. The battery pack is over or under the appropriate temperature range.</li> </ol>	<ol style="list-style-type: none"> <li>1. Move the battery pack to a place where it is dry and the temperature is between 5°C (41°F) and 40°C (104°F).</li> </ol>
The battery charger is not working.	<ol style="list-style-type: none"> <li>1. The battery charger is over or under the appropriate temperature range.</li> <li>2. The outlet that the battery charger is plugged into does not have power.</li> </ol>	<ol style="list-style-type: none"> <li>1. Unplug the battery charger and move it to a place where it is dry and the temperature is between 5°C (41°F) and 40°C (104°F).</li> <li>2. Contact your licensed electrician to repair the outlet.</li> </ol>
The LED indicator light on the battery charger is red.	<ol style="list-style-type: none"> <li>1. The battery charger and/or battery pack is over or under the appropriate temperature range.</li> </ol>	<ol style="list-style-type: none"> <li>1. Unplug the battery charger and move the battery charger and battery pack to a place where it is dry and the temperature is between 5°C (41°F) and 40°C (104°F).</li> </ol>

<b>Problem</b>	<b>Possible Cause</b>	<b>Corrective Action</b>
<p>The LED indicator light on the battery charger is blinking red.</p>	<ol style="list-style-type: none"> <li>1. There is an error in the communication between the battery pack and the charger.</li>   <li>2. The battery pack is weak.</li> </ol>	<ol style="list-style-type: none"> <li>1. Remove the battery pack from the battery charger, unplug the battery charger from the outlet, and wait 10 seconds. Plug the battery charger into the outlet again and place the battery pack on the battery charger. If the LED indicator light on the battery charger is still blinking red, repeat this procedure again. If the LED indicator light on the battery charger is still blinking red after 2 attempts, properly dispose of the battery pack at a battery recycling facility.</li>   <li>2. Properly dispose of the battery pack at a battery recycling facility.</li> </ol>

# California Proposition 65 Warning Information

## What is this warning?

You may see a product for sale that has a warning label like the following:



**WARNING: Cancer and Reproductive Harm—**[www.p65Warnings.ca.gov](http://www.p65Warnings.ca.gov).

## What is Prop 65?

Prop 65 applies to any company operating in California, selling products in California, or manufacturing products that may be sold in or brought into California. It mandates that the Governor of California maintain and publish a list of chemicals known to cause cancer, birth defects, and/or other reproductive harm. The list, which is updated annually, includes hundreds of chemicals found in many everyday items. The purpose of Prop 65 is to inform the public about exposure to these chemicals.

Prop 65 does not ban the sale of products containing these chemicals but instead requires warnings on any product, product packaging, or literature with the product. Moreover, a Prop 65 warning does not mean that a product is in violation of any product safety standards or requirements. In fact, the California government has clarified that a Prop 65 warning "is not the same as a regulatory decision that a product is 'safe' or 'unsafe.'" Many of these chemicals have been used in everyday products for years without documented harm. For more information, go to <https://oag.ca.gov/prop65/faqs-view-all>.

A Prop 65 warning means that a company has either (1) evaluated the exposure and has concluded that it exceeds the "no significant risk level"; or (2) has chosen to provide a warning based on its understanding about the presence of a listed chemical without attempting to evaluate the exposure.

## Does this law apply everywhere?

Prop 65 warnings are required under California law only. These warnings are seen throughout California in a wide range of settings, including but not limited to restaurants, grocery stores, hotels, schools, and hospitals, and on a wide variety of products. Additionally, some online and mail order retailers provide Prop 65 warnings on their websites or in catalogs.

## How do the California warnings compare to federal limits?

Prop 65 standards are often more stringent than federal and international standards. There are various substances that require a Prop 65 warning at levels that are far lower than federal action limits. For example, the Prop 65 standard for warnings for lead is 0.5 µg/day, which is well below the federal and international standards.

## Why don't all similar products carry the warning?

- Products sold in California require Prop 65 labelling while similar products sold elsewhere do not.
- A company involved in a Prop 65 lawsuit reaching a settlement may be required to use Prop 65 warnings for its products, but other companies making similar products may have no such requirement.
- The enforcement of Prop 65 is inconsistent.
- Companies may elect not to provide warnings because they conclude that they are not required to do so under Prop 65; a lack of warnings for a product does not mean that the product is free of listed chemicals at similar levels.

## Why do we include this warning?

Our company has chosen to provide consumers with as much information as possible so that they can make informed decisions about the products they buy and use. We provide warnings in certain cases based on its knowledge of the presence of one or more listed chemicals without evaluating the level of exposure, as not all the listed chemicals provide exposure limit requirements. While the exposure from our products may be negligible or well within the "no significant risk" range, out of an abundance of caution, we have elected to provide the Prop 65 warnings. Moreover, if we do not provide these warnings, it could be sued by the State of California or by private parties seeking to enforce Prop 65 and subject to substantial penalties.



**Count on it.**



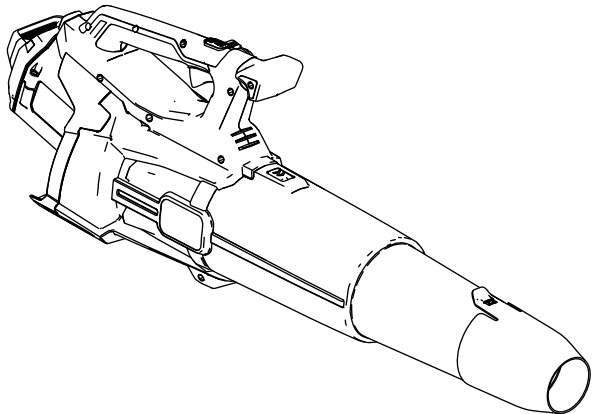
**Count on it.**

**Manual del operador**

**Soplador de hojas  
Flex-Force Power System®  
60 V MAX**

Nº de modelo 51827—Nº de serie 324000000 y superiores

Nº de modelo 51827T—Nº de serie 324000000 y superiores





Si necesita ayuda, consulte los vídeos instruccionales en [www.Toro.com/support](http://www.Toro.com/support) o llame al 1-888-384-9939 antes de devolver este producto.

## **⚠ ADVERTENCIA**

### **CALIFORNIA**

#### **Advertencia de la Propuesta 65**

El cable eléctrico de este producto contiene plomo, que el Estado de California sabe que causa defectos congénitos u otros peligros para la reproducción. Lávese las manos después de manejar el material.

El uso de este producto puede provocar la exposición a sustancias químicas que el Estado de California considera causantes de cáncer, defectos congénitos u otros trastornos del sistema reproductor.

## **Introducción**

Este soplador está diseñado para ser usado por usuarios domésticos para mover hojas y otros residuos similares en espacios exteriores. Está diseñado para usar baterías de ion litio Flex-Force 60 V. Estas baterías están diseñadas para ser cargadas únicamente con cargadores de baterías de ion litio Flex-Force 60 V. El uso de estos productos para propósitos diferentes a los previstos puede ser peligroso para usted y para otras personas.

**El Modelo 51827T no incluye ni batería ni cargador.**

Lea este manual detenidamente para aprender a utilizar y mantener correctamente su producto, y para evitar lesiones y daños al producto. Usted es responsable de utilizar el producto de forma correcta y segura.

© 2024—The Toro®  
Company  
8111 Lyndale Avenue  
South  
Bloomington, MN  
55420

Registre su producto  
en [www.Toro.com](http://www.Toro.com).

Traducción del original  
(ES)  
Impreso en Vietnam  
Reservados todos  
los derechos



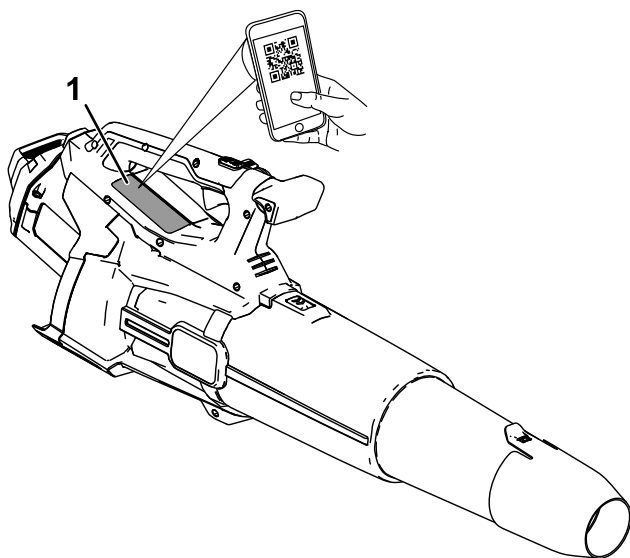
\* 3 4 6 7 - 1 0 6 \*



Visite [www.Toro.com](http://www.Toro.com) para obtener más información, incluidos consejos de seguridad, materiales de formación, información sobre accesorios, ayuda para encontrar a un distribuidor o para registrar su producto.

Cuando necesite asistencia técnica, piezas genuinas Toro o información adicional, póngase en contacto con un Servicio Técnico Autorizado o con Atención al cliente de Toro, y tenga a mano los números de modelo y serie de su producto. **Figura 1** identifica la ubicación de los números de modelo y serie en el producto. Escriba los números en el espacio provisto.

**Importante:** Con su dispositivo móvil, puede escanear el código QR (en su caso) de la place del número de serie para acceder a información sobre la garantía, las piezas, y otra información sobre el producto.



**Figura 1**

g472719

1. Ubicación de los números de modelo y de serie.

Nº de modelo _____
Nº de serie _____

# Símbolo de alerta de seguridad

El símbolo de alerta de seguridad (Figura 2) que aparece en este manual y en la máquina identifica mensajes de seguridad importantes que usted debe observar para evitar accidentes.



**Figura 2**

Símbolo de alerta de seguridad

g000502

---

El símbolo de alerta de seguridad aparece encima de información que le alerta ante acciones o situaciones inseguras, y va seguido de la palabra **PELIGRO, ADVERTENCIA, o CUIDADO**.

**PELIGRO:** Indica una situación peligrosa inminente, que si no se evita, **causará** la muerte o lesiones graves.

**ADVERTENCIA** indica una situación potencialmente peligrosa que si no se evita, **podría** causar la muerte o lesiones graves.

**CUIDADO:** Indica una situación potencialmente peligrosa que si no se evita, **podría** causar lesiones menores o moderadas.

Este manual utiliza dos palabras más para resaltar información.

**Importante** llama la atención sobre información mecánica especial, y

**Nota** resalta información general que merece una atención especial.

# Seguridad

## **▲ ADVERTENCIA**

**Por favor, lea todos los avisos de seguridad, instrucciones, ilustraciones y especificaciones suministrados con la máquina.**

***El hacer caso omiso de todas las instrucciones enumeradas a continuación puede dar lugar a descargas eléctricas, incendios y/o lesiones graves.***

**Guarde todas las advertencias e instrucciones para su referencia futura.**

***El término “máquina” en todas las advertencias hace referencia a las máquinas que se conectan a la red eléctrica y a las que funcionan a batería.***

### **I. Seguridad de la zona de trabajo**

- 1. Mantenga la zona de trabajo limpia y bien iluminada.** *Las zonas desordenadas u oscuras son una invitación al accidente.*
- 2. No opere las máquinas en atmósferas explosivas, por ejemplo en presencia de líquidos, gases o polvos combustibles.** *Las máquinas pueden generar chispas con potencial para encender el polvo o los vapores.*
- 3. Mantenga a los niños y transeúntes alejados mientras opera una máquina.** *Las distracciones pueden hacer que pierda el control.*

### **II. Seguridad eléctrica**

- 1. Las clavijas de la máquina deben coincidir con el enchufe. Nunca modifique las clavijas en modo alguno. No utilice adaptadores con máquinas conectadas a tierra.** *El uso de clavijas sin modificar y enchufes apropiados reducirá el riesgo de descarga eléctrica.*
- 2. Evite tocar superficies conectadas a tierra, tales como tuberías, radiadores, cocinas y refrigeradores.** *Hay un mayor riesgo de descarga eléctrica si su cuerpo hace tierra.*
- 3. No exponga las máquinas a la lluvia o la humedad.** *El ingreso de agua a la máquina puede aumentar el riesgo de descarga eléctrica.*
- 4. No maltrate el cable. Nunca utilice el cable para transportar, desenchufar o tirar de la máquina. Mantenga el cable alejado del calor, del aceite, de bordes cortantes y de piezas móviles.**

*Los cables dañados o enredados aumentan el riesgo de descarga eléctrica.*

5. **Al operar una máquina a la intemperie, utilice un alargador apto para uso en exteriores.** *El uso de un cable apropiado para el uso en exteriores reduce el riesgo de descarga eléctrica.*
6. **Si operar la máquina en un lugar húmedo es inevitable, utilice una fuente de suministro protegida por un dispositivo de corriente residual (RCD).** *El uso de un RCD reduce el riesgo de descarga eléctrica.*

### **III. Seguridad personal**

1. **Manténgase alerta, preste atención a lo que esté haciendo y aplique el sentido común al operar una máquina. No utilice una máquina si está cansado/a o bajo la influencia de drogas, alcohol o medicamentos.** *Un momento de desatención al operar una máquina puede causar lesiones graves.*
2. **Utilice equipos de protección personal. Lleve siempre protección ocular.** *El uso de equipos de protección personal como mascarillas, calzado de seguridad antideslizante, casco y protección auditiva en condiciones apropiadas reduce el riesgo de lesiones personales.*
3. **Evite el encendido accidental. Asegúrese de que el interruptor está en la posición de APAGADO antes de conectar la herramienta a la toma de corriente y/o a la batería, y antes de levantar o transportar la herramienta.** *Transportar máquinas con un dedo en el interruptor o enchufar máquinas con el interruptor encendido aumenta el riesgo de accidentes.*
4. **Retire cualquier llave de ajuste antes de encender la máquina.** *Una llave acoplada a una parte rotativa de la máquina puede causar lesiones.*
5. **No intente alcanzar zonas demasiado alejadas. Pise firme y mantenga el equilibrio en todo momento.** *Esto posibilita un mejor control de la máquina en situaciones inesperadas.*
6. **Utilice la ropa adecuada. No lleve ropas o joyas sueltas. Mantenga el pelo y la ropa alejados de las piezas móviles.** *La ropa suelta, las joyas y el pelo largo pueden quedar atrapados en piezas móviles.*
7. **Si existen dispositivos para la conexión de sistemas de recogida y extracción de polvo, asegúrese de conectarlos y usarlos correctamente.** *El uso de dispositivos de recolección de polvo puede reducir los riesgos asociados con el polvo.*

8. **No deje que la familiaridad adquirida con el uso frecuente de las herramientas le haga confiarse demasiado y pasar por alto los principios de seguridad de las herramientas.** *Una acción descuidada puede causar lesiones graves en una fracción de un segundo.*

#### IV. Uso y cuidado de la máquina

1. **No fuerce la máquina. Utilice la máquina correcta para cada aplicación.** *La máquina correcta hará mejor y de manera más segura el trabajo para el que fue diseñada.*
2. **No utilice la máquina si el interruptor de encendido/apagado no funcionara correctamente.** *Cualquier máquina que no pueda controlarse con su interruptor es peligrosa y debe ser reparada.*
3. **Desconecte el enchufe de la fuente de alimentación y/o retire las baterías (si fueran desmontables) de la máquina antes de hacer ajustes, cambiar accesorios o almacenarla.** *Estas medidas de seguridad preventivas reducen el riesgo de encendido accidental.*
4. **Guarde las máquinas apagadas fuera del alcance de niños, y no permita su operación por personas no familiarizadas con la máquina o con sus instrucciones de uso.** *Las máquinas son peligrosas en manos de usuarios no entrenados.*
5. **Realice el mantenimiento de máquinas y accesorios. Verifique que las partes móviles no estén desalineadas o atoradas, que no haya roturas, y cualquier otra condición que pueda afectar la operación de la máquina. En caso de daños, haga reparar la máquina antes de usarla.** *Muchos accidentes son provocados por un mantenimiento inadecuado.*
6. **Mantenga las herramientas de corte afiladas y limpias.** *Una herramienta de corte bien mantenida con filos bien afilados es más fácil de controlar y hay menos probabilidades de que se agarrote.*
7. **Utilice la máquina, sus accesorios, brocas, etc. de conformidad con estas instrucciones, teniendo en cuenta las condiciones de trabajo y las tareas a realizar.** *El uso de la máquina para operaciones diferentes de las previstas podría derivar en una situación riesgosa.*
8. **Mantenga las asas, empuñaduras y otras superficies de agarre secas, limpias y libres de aceite y grasa.** *Una asa o superficie de agarre resbaladiza no permite manejar y controlar la herramienta con seguridad en situaciones imprevistas.*

## V. Uso y cuidado de las herramientas a batería

1. **Recargar únicamente con el cargador especificado por el fabricante.** *Un cargador diseñado para un tipo de batería puede crear un riesgo de incendio si se utiliza con otra batería.*
2. **Utilice las máquinas únicamente con las baterías designadas específicamente.** *El uso de otra batería puede crear un riesgo de incendio y lesiones.*
3. **Cuando la batería no está en uso, manténgala alejada de otros objetos metálicos, como por ejemplo clips, monedas, llaves, puntillas u otros objetos metálicos pequeños, que podrían hacer una conexión entre un terminal y otro.** *Un cortocircuito entre los terminales de la batería puede causar quemaduras o un incendio.*
4. **En condiciones de uso incorrecto, puede haber una fuga de líquido de la batería; evite el contacto con dicho líquido. En caso de un contacto accidental, lavar con abundante agua. Si el líquido entra en contacto con los ojos, busque también ayuda médica.** *El líquido expulsado de la batería puede causar irritación o quemaduras.*
5. **No utilice una batería o una herramienta dañada o modificada.** *Las baterías dañadas o modificadas podrían mostrar un comportamiento impredecible con resultado de incendio, explosión o riesgo de lesiones.*
6. **No exponga una batería o un cargador al fuego o a temperaturas excesivas.** *La exposición al fuego o a temperaturas superiores a los 130 °C (265 °F) puede causar una explosión.*
7. **Siga todas las instrucciones de carga y no cargue la batería o la herramienta si la temperatura está fuera del intervalo especificado en las instrucciones.** *El cargar de forma incorrecta o a temperaturas fuera del intervalo especificado puede dañar la batería y aumentar el riesgo de incendio.*

## VI. Mantenimiento

1. **Realice el mantenimiento de su máquina con un técnico calificado y utilizando piezas de repuesto originales.** *Esto garantizará que la máquina continúe funcionando de manera segura.*
2. **No realice ningún tipo de mantenimiento en una batería dañada.** *El mantenimiento de las baterías sólo debe ser realizado por el fabricante o por un servicio técnico autorizado.*

## VII. Seguridad del soplador

1. **No utilice la máquina bajo condiciones climáticas adversas, en especial si hay riesgo de tormenta eléctrica.** *Esto reduce el riesgo de ser alcanzado por un rayo.*
2. **Utilice protección ocular y auditiva.** *Los equipos de protección adecuados reducen el riesgo de lesiones.*
3. **Al operar la máquina, utilice en todo momento calzado de protección antideslizante. No opere la máquina descalzo o con calzado abierto.** *Esto reduce el riesgo de lesiones en los pies.*
4. **No use vestimenta suelta o accesorios como bufandas, correas, cadenas, corbatas, etc. que pudieran introducirse en las tomas de aire. Sujete o cubra el cabello largo para evitar que ingrese en las tomas de aire.** *Si alguno de los elementos mencionados se introdujera en las tomas de aire podría aumentar el riesgo de lesiones.*
5. **Manténgase alejado de los transeúntes al operar la máquina.** *La basura suelta puede aumentar el riesgo de lesiones.*
6. **Nunca apunte la boquilla del soplador hacia personas o mascotas o en dirección de ventanas. Tenga precaución extra al soplar basura cerca de objetos sólidos, como árboles, automóviles o paredes que pueden provocar que la basura rebote contra ellos.** *Los objetos sueltos pueden dañar los bienes y aumentar la probabilidad de lesiones.*
7. **No use la máquina para soplar objetos en llamas o humeantes, como cigarrillos, cerillas o cenizas encendidas.** *Las fuentes de ignición pueden elevar el riesgo de incendio.*
8. **No toque el ventilador mientras se encuentre en movimiento. Apague la máquina y espere a que el ventilador se detenga por completo antes de retirar cualquier pieza que brinde acceso al ventilador.** *Esto reduce el riesgo de lesiones con partes móviles.*
9. **Al retirar materiales atascados o realizar mantenimiento de la máquina, asegúrese de que el interruptor esté en posición de apagado.** *El arranque inesperado de la máquina durante estas operaciones puede resultar en lesiones graves.*



# Pegatinas de seguridad e instrucciones



Las calcomanías de seguridad e instrucciones están a la vista del operador y están ubicadas cerca de cualquier zona de peligro potencial. Sustituya cualquier calcomanía que esté dañada o que falte.

- ⚠ WARNING** To reduce risk of injury to persons, remove battery pack when not in use. For household use only. Store indoors. For use with approved TORO 60V accessories, batteries & charger models.
- ⚠ AVERTISSEMENT** Pour réduire les risques de blessures corporelles, retirez la batterie quand vous ne l'utilisez pas. Réservez l'usage domestique. Remisez à l'intérieur. À utiliser avec les accessoires, batteries et modèles de chargeurs TORO 60V approuvés.
- ⚠ ADVERTENCIA** Para reducir el riesgo de lesiones a personas, retire la batería cuando no esté en uso. Únicamente para uso doméstico. Almacenar en espacios interiores. Para su uso con modelos aprobados de baterías y cargadores TORO de 60 V.
- ⚠ WARNING: Cancer and Reproductive Harm** - [www.P65Warnings.ca.gov](http://www.P65Warnings.ca.gov). For more information, please visit [www.ttcocaprop65.com](http://www.ttcocaprop65.com)
- ⚠ AVERTISSEMENT: Cancer et Troubles de l'appareil reproducteur** - [www.P65Warnings.ca.gov](http://www.P65Warnings.ca.gov). Pour plus d'informations, veuillez visiter [www.toro.com/CAProp65](http://www.toro.com/CAProp65)
- ⚠ ADVERTENCIA: Cáncer y Daño Reproductivo** - [www.P65Warnings.ca.gov](http://www.P65Warnings.ca.gov). Para obtener más información, visite [www.toro.com/CAProp65](http://www.toro.com/CAProp65)

decal161-7051

161-7051

**1**  

**2**  

**3**  

**60V MAX\* DC**  **BLOWER / VENTILATEUR / SOPLADOR** PATENT: [www.ttcopats.com](http://www.ttcopats.com) Country of Origin: Vietnam

\*60VDC MAXIMUM / 54VDC NOMINAL \*60 VDC MAXIMUM / 54 VDC NOMINALE

Model: **51827T**

THE TORO COMPANY 8111 Lyndale Avenue South Bloomington, MN 55420-1196 USA

\*60 VDC MAXIMA / 54 VDC NOMINAL

Conforms to / Conforme à la norme/ Cumples la norma UL STD 62841-1 & 62841-4-6

Code de date / Código de fecha:

Serial Number:

CSA STD CAN/CSA-C22.2 No. 62841-1 & CAN/CSA-C22.2 No. 62841-4-6

Intertek 5018666 Numéro de série / Número de Serie



INSERT QR CODE HERE

decal161-7054

161-7054

1. Advertencia—lea el *Manual del Operador*; utilice protección ocular y auditiva; no exponga la máquina a la lluvia o nieve; manténgase alejado de las partes móviles; no retire carcasas ni protecciones; quite las baterías antes de realizar mantenimiento.
2. Advertencia – mantenga a otras personas alejadas de la máquina en todas las direcciones.
3. Peligro de objetos arrojados – mantenga alejadas a otras personas.



decal161-7050

### 161-7050

1. Advertencia—lea el *Manual del Operador*; utilice protección ocular y auditiva; no exponga la máquina a la lluvia o nieve; manténgase alejado de las partes móviles; no retire carcasas ni protecciones; quite las baterías antes de realizar mantenimiento.
2. Advertencia – mantenga a otras personas alejadas de la máquina en todas las direcciones.
3. Peligro de objetos arrojados – mantenga alejadas a otras personas.



decal161-3775

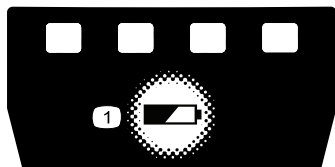
### 161-3775

1. La batería se está cargando.
2. La batería está completamente cargada.
3. La temperatura de la batería está por encima o por debajo del intervalo de temperatura adecuado.
4. Fallo de carga de la batería



decal161-3774

161-3774



decal161-3764

161-3764

1. Estado de carga de la batería



decal161-7064

161-7064

1. Lea el *Manual del operador*.
2. Programa de reciclado de baterías Call2Recycle®
3. Recicle la batería
4. No desechar de forma incorrecta.
5. Manténgase alejado de fuegos o llamas desnudas
6. No exponer a la lluvia
7. Peligro de descarga eléctrica

# Montaje

**Importante:** En el momento de la compra la batería no está totalmente cargada. Antes de usar la herramienta por primera vez, consulte [Carga de la batería \(página 23\)](#).

## Cómo montar el cargador de la batería (opcional)

Si lo desea, monte el cargador de la batería firmemente en la pared utilizando los orificios de montaje en pared en la parte trasera del cargador.

Móntelo en un espacio interior (tal como un garaje u otro lugar seco), cerca de una toma de corriente y fuera del alcance de los niños.

Consulte la [Figura 3](#) para obtener asistencia sobre el montaje del cargador.

Coloque el cargador sobre las fijaciones correctamente posicionadas para fijarlo en su lugar (fijaciones no incluidas).

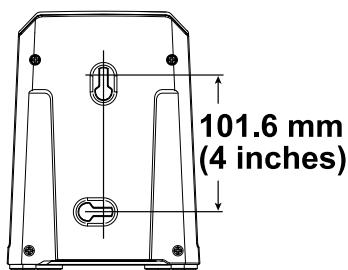


Figura 3

g290534

# Montaje del soplador

1. Instale la tobera del soplador en el tubo del soplador.

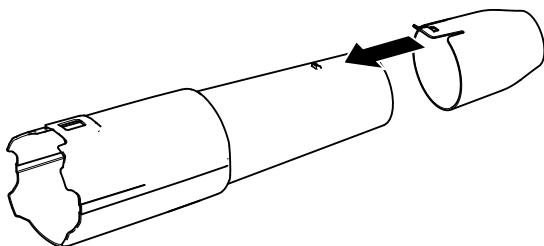


Figura 4

g472735

2. Deslice el tubo del soplador sobre la carcasa del soplador. Puede ser necesario presionar hacia abajo sobre el cierre del tubo para que el tubo del soplador encaje en su sitio (Figura 5).

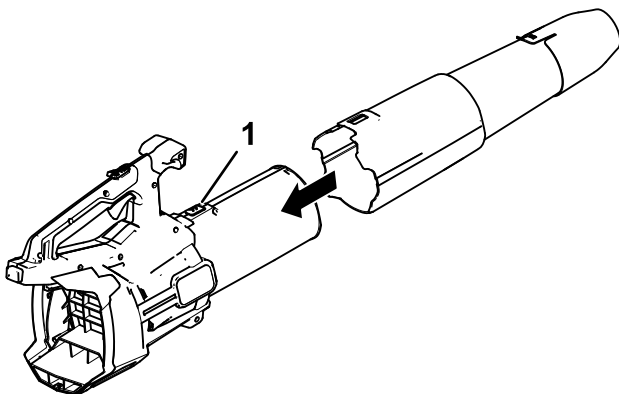


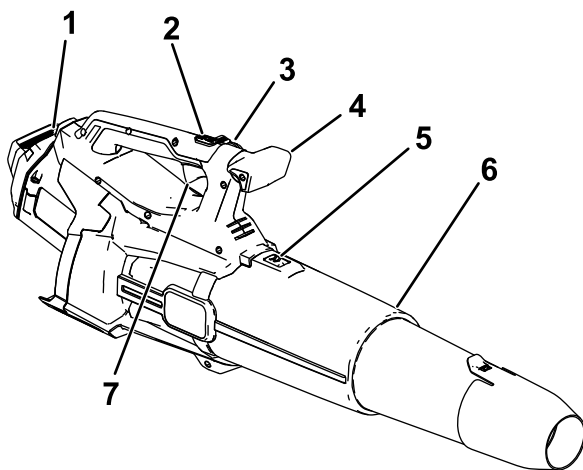
Figura 5

g472734

1. Cierre del tubo

**Nota:** El soplador también puede utilizarse sin tobera, e incluso retirando por completo el tubo del soplador.

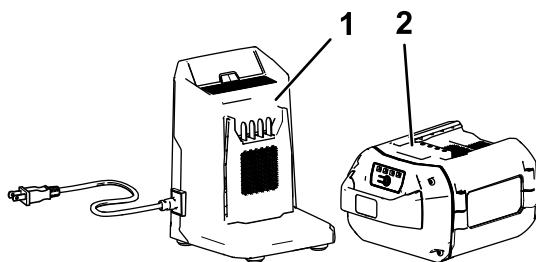
# El producto



g472736

**Figura 6**

- |                                  |                                   |
|----------------------------------|-----------------------------------|
| 1. Batería y hueco de la batería | 5. Enganche del tubo del soplador |
| 2. Botón de potencia turbo       | 6. Tubo del soplador              |
| 3. Bloqueo de velocidad          | 7. Gatillo de velocidad variable  |
| 4. Pomo                          |                                   |



g355813

**Figura 7**

- |   |  |
|---|--|
| 1. Cargador de baterías modelo 88902 (incluido con el modelo 51827) | 2. Batería modelo 88941 (incluida con el modelo 51827) |
|---|--|

# Especificaciones

<b>Modelo</b>	51827, 51827T
<b>Voltaje nominal</b>	Máximo 60 VCC , uso nominal 54 VCC
<b>Tipo de cargador</b>	Cargadores de ion litio Flex-Force 60 V
<b>Tipo de batería</b>	Baterías de ion litio Flex-Force 60 V

## Intervalos de temperatura adecuados

Cargue/guarde la batería a	5 °C a 40 °C (41 °F a 104 °F)*
Utilice la batería a	Entre -30 °C y 49 °C (-22 °F y 120 °F)
Utilice el soplador a	Entre -30 °C y 49 °C (-22 °F y 120 °F)

\*El tiempo de carga será mayor si la temperatura no está en este intervalo durante la carga.

Guarde la herramienta, la batería y el cargador en un lugar cerrado, limpio y seco.

## Accesorios

Está disponible una selección de aperos y accesorios homologados por Toro que se pueden utilizar con la máquina a fin de potenciar y aumentar sus prestaciones. Póngase en contacto con su Servicio Técnico Autorizado o con su distribuidor autorizado Toro, o visite [www.Toro.com](http://www.Toro.com) para obtener una lista de todos los aperos y accesorios homologados.

Para asegurar un rendimiento óptimo y mantener la certificación de seguridad de la máquina, utilice solamente piezas y accesorios genuinos Toro. Las piezas de repuesto y los accesorios de otros fabricantes podrían ser peligrosos.

# Operación

## **⚠ ADVERTENCIA**

El soplador puede arrojar residuos, que podrían causar graves lesiones personales a usted o a otras personas.

- No sople objetos duros como clavos o pernos.
- No utilice el soplador cerca de otras personas o animales domésticos.
- Esté atento al sentido del chorro de aire (por ejemplo, no lo dirija hacia otras personas, ventanas, automóviles, etc.). Utilice la mínima velocidad posible.
- Extreme el cuidado al soplar residuos en escaleras u otros lugares de espacio reducido.

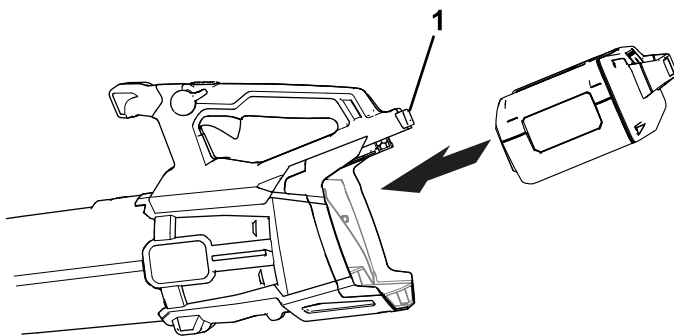
## Cómo arrancar el soplador

**Importante:** Utilice la batería solo a temperaturas que estén dentro del intervalo apropiado; consulte [Especificaciones \(página 17\)](#).

**Nota:** Asegúrese de utilizar una batería de más de 2.5 Ah para obtener la potencia máxima.

1. Compruebe que los orificios de ventilación del soplador están libres de polvo y residuos.
2. Alinee el hueco de la batería con la lengüeta del alojamiento de la empuñadura ([Figura 8](#)).
3. Sujete la empuñadura e introduzca la batería en la empuñadura hasta que el cierre se bloquee en su sitio ([Figura 8](#)).





g472718

**Figura 8**

1. Cierre de la batería

---

4. Para arrancar el soplador, apriete el gatillo de velocidad variable (Figura 9).

**Nota:** Active el bloqueo de velocidad para mantener la máquina encendida sin tener que apretar el gatillo de velocidad variable (Figura 9).

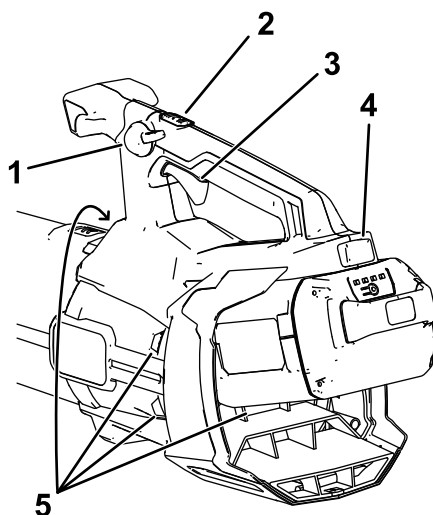


Figura 9

g472737

- |                                  |                                      |
|----------------------------------|--------------------------------------|
| 1. Bloqueo de velocidad          | 4. Cierre de la batería              |
| 2. Botón de potencia turbo       | 5. Zonas de ventilación del soplador |
| 3. Gatillo de velocidad variable |                                      |

# Cómo ajustar la velocidad del aire del soplador

Para ajustar la velocidad del aire mientras sopla, utilice el gatillo de velocidad variable (Figura 9).

Para mantener la velocidad actual del aire, active el bloqueo de velocidad (Figura 9).

Para obtener el máximo rendimiento, presione el gatillo de velocidad variable, luego pulse el botón de potencia turbo para activar el turbo (Figura 9).

Para desactivar la potencia turbo, pulse otra vez el botón de potencia turbo o suelte completamente el gatillo de velocidad variable.

## Cómo apagar el soplador

Para apagar el soplador, desactive el bloqueo de velocidad (si lo está usando) y suelte el gatillo de velocidad variable (Figura 9).

**Importante:** Después de apagar el soplador, no deje puesto el bloqueo de velocidad con la batería instalada en el soplador.

Cuando no esté utilizando el soplador o lo esté transportando hacia o desde el área de trabajo, retire la batería.

## Desmontaje del tubo del soplador

Presione hacia abajo sobre el cierre para separar el tubo del soplador del soplador (Figura 10).

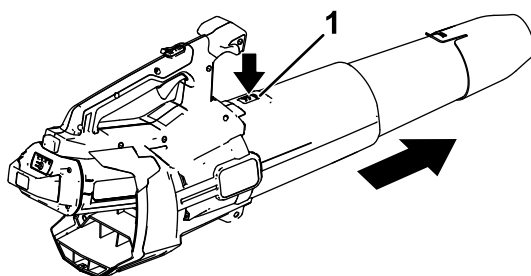


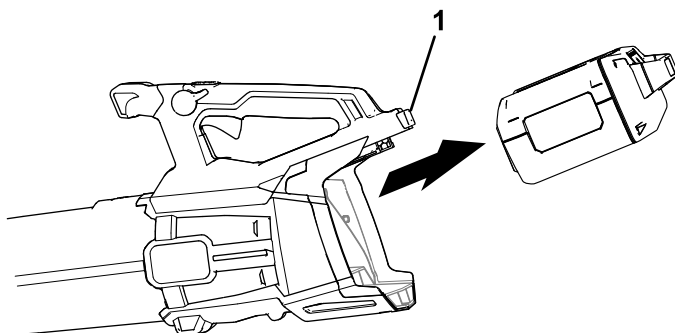
Figura 10

1. Cierre del tubo

g472738

# Cómo retirar la batería del soplador

Presione el cierre de la batería para liberar la batería, y retire la batería del soplador (Figura 11).



**Figura 11**

g472739

1. Cierre de la batería
-

# Carga de la batería

**Importante:** En el momento de la compra la batería no está totalmente cargada. Antes de usar la herramienta por primera vez, coloque la batería en el cargador y cárguela hasta que el indicador LED indique que la batería está completamente cargada. Lea todas las precauciones de seguridad.

**Importante:** Cargue la batería solo a temperaturas que estén dentro del intervalo apropiado; consulte [Especificaciones \(página 17\)](#).

**Nota:** En cualquier momento, presione el botón del indicador de carga de la batería de la batería para mostrar la carga actual (indicadores LED).

1. Compruebe que los orificios de ventilación de la batería y del cargador de la batería están libres de polvo y residuos.

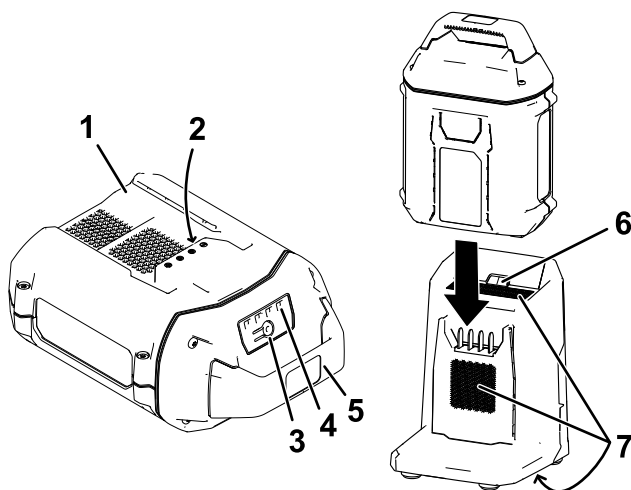


Figura 12

g473274

1. Hueco de la batería
  2. Terminales de la batería
  3. Botón del indicador de carga de la batería
  4. Indicadores LED (carga actual)
  5. Empuñadura
  6. Indicador LED del cargador
  7. Zonas de ventilación del cargador
2. Alinee el hueco de la batería ([Figura 12](#)) con la lengüeta del cargador.
  3. Introduzca la batería en el cargador hasta que esté completamente asentada ([Figura 12](#)).
  4. Para retirar la batería, deslice la batería hacia atrás para sacarla del cargador.

5. Consulte la tabla siguiente para interpretar el indicador LED del cargador de la batería.

Indicador	Indica:
Apagado	No hay batería insertada
Verde intermitente	La batería se está cargando
Verde	La batería está cargada
Rojo	La batería y/o el cargador de la batería está por encima o por debajo del intervalo de temperatura adecuado
Rojo intermitente	Fallo de carga de la batería*

\*Consulte [Solución de problemas \(página 26\)](#) si desea más información.

**Importante:** La batería puede permanecer conectada al cargador durante periodos cortos entre usos.

Si la batería no se va a utilizar durante periodos más largos, retire la batería del cargador; consulte [Almacenamiento \(página 25\)](#).

# Almacenamiento

**Importante:** Almacene la herramienta, la batería y el cargador solo a temperaturas que estén dentro del intervalo apropiado; consulte [Especificaciones \(página 17\)](#).

**Importante:** Si va a almacenar la batería fuera de temporada, retire la batería de la herramienta y cargue la batería hasta que 2 o 3 de los indicadores LED de la batería cambien a verde. No almacene la batería completamente cargada ni completamente descargada. Antes de volver a usar la herramienta, cargue la batería hasta que se encienda el indicador izquierdo del cargador en verde, o hasta que los 4 indicadores LED de la batería cambien a verde.

- Desconecte el producto del suministro de energía (es decir, retire el enchufe del suministro de energía o la batería) y compruebe si hay daños después del uso.
- No almacene la herramienta con la batería instalada.
- Limpie cualquier material extraño del producto.
- Cuando no se estén utilizando, almacene la herramienta, la batería y el cargador de la batería fuera del alcance de los niños.
- Mantenga la herramienta, la batería y el cargador de la batería alejados de agentes corrosivos como productos químicos de jardín o sal para deshielo.
- Para reducir el riesgo de lesiones personales graves, no almacene la batería en el exterior o en un vehículo.
- Guarde la herramienta, la batería y el cargador en un lugar cerrado, limpio y seco.

# Preparación de la batería para el reciclado

**Importante:** Al retirarla, cubra los terminales de la batería con cinta adhesiva de servicio pesado. No intente destruir o desmontar la batería ni intente retirar cualquiera de los componentes de la misma.



Las baterías de ion litio etiquetadas con el sello Call2Recycle pueden ser recicladas en cualquier comercio o instalación de reciclado de baterías adscrito al programa Call2Recycle (solo EUA y Canadá). Para localizar un comercio o una instalación adscrito cercano, llame al 1-800-822-8837 o visite [www.call2recycle.org](http://www.call2recycle.org). Si no puede localizar un comercio o instalación adscrito cercano, o si su batería recargable no está etiquetada con el sello Call2Recycle, póngase en contacto con su ayuntamiento para obtener más información sobre el reciclado responsable de la batería. Si se encuentra fuera de EUA o Canadá, póngase en contacto con su distribuidor Toro autorizado.

## Solución de problemas

Realice solo los pasos descritos en estas instrucciones. Cualquier otro trabajo de inspección, mantenimiento o reparación debe ser realizado por un Servicio Técnico Autorizado o por un especialista autorizado si no puede solucionar el problema usted mismo.

Retire siempre la batería de la herramienta antes de inspeccionar, limpiar, localizar averías o realizar mantenimiento de la herramienta.

Problema	Posible causa	Acción correctora
La herramienta no arranca.	<ol style="list-style-type: none"><li>1. La batería no está correctamente instalada en la herramienta.</li><li>2. La batería no está cargada.</li><li>3. La batería está dañada.</li><li>4. Hay otro problema eléctrico con la herramienta.</li></ol>	<ol style="list-style-type: none"><li>1. Retire y luego vuelva a colocar la batería en la herramienta, asegurándose de que está completamente instalada y bloqueada.</li><li>2. Retire la batería de la herramienta y cárguela.</li><li>3. Sustituya la batería.</li><li>4. Póngase en contacto con el Servicio Técnico Autorizado.</li></ol>



<b>Problema</b>	<b>Posible causa</b>	<b>Acción correctora</b>
La herramienta no alcanza la potencia completa.	<ol style="list-style-type: none"> <li>1. La batería está casi descargada.</li> <li>2. Los orificios de ventilación están obstruidos.</li> </ol>	<ol style="list-style-type: none"> <li>1. Retire la batería de la herramienta y cargue la batería completamente.</li> <li>2. Retire la batería de la herramienta y limpie los orificios de ventilación de aire.</li> </ol>
La herramienta no funciona, o no funciona de forma intermitente.	<ol style="list-style-type: none"> <li>1. Hay humedad en los cables de la batería.</li> <li>2. La batería no está correctamente instalada en la herramienta.</li> <li>3. La batería tiene poca carga.</li> </ol>	<ol style="list-style-type: none"> <li>1. Deje que la batería se seque o séquela con un paño.</li> <li>2. Retire y luego vuelva a colocar la batería en la herramienta, asegurándose de que está completamente instalada y bloqueada.</li> <li>3. Cargue la batería.</li> </ol>
La batería se descarga rápidamente.	<ol style="list-style-type: none"> <li>1. La temperatura de la batería está por encima o por debajo del intervalo de temperatura adecuado.</li> </ol>	<ol style="list-style-type: none"> <li>1. Traslade la batería a un lugar seco cuya temperatura sea de entre 5 °C y 40 °C (41 °F y 104 °F).</li> </ol>
El cargador de la batería no funciona.	<ol style="list-style-type: none"> <li>1. La temperatura del cargador de la batería está por encima o por debajo del intervalo de temperatura adecuado.</li> <li>2. La toma de corriente en la que está enchufado el cargador de la batería no tiene corriente.</li> </ol>	<ol style="list-style-type: none"> <li>1. Desenchufe el cargador de la batería y trasládalo a un lugar seco cuya temperatura sea de entre 5 °C y 40 °C (41 °F y 104 °F).</li> <li>2. Póngase en contacto con un electricista autorizado para que repare la toma de corriente.</li> </ol>
El indicador LED del cargador de la batería está rojo.	<ol style="list-style-type: none"> <li>1. El cargador de la batería y/o la batería está por encima o por debajo del intervalo de temperatura adecuado.</li> </ol>	<ol style="list-style-type: none"> <li>1. Desenchufe el cargador de la batería y mueva el cargador de la batería y la batería a un lugar seco cuya temperatura sea de entre 5 °C (41 °F) y 40 °C (104 °F).</li> </ol>

<b>Problema</b>	<b>Posible causa</b>	<b>Acción correctora</b>
<p>El indicador LED del cargador de la batería parpadea en rojo.</p>	<ol style="list-style-type: none"> <li>1. Hay un error de comunicaciones entre la batería y el cargador.</li>   <li>2. La batería está casi agotada.</li> </ol>	<ol style="list-style-type: none"> <li>1. Retire la batería del cargador, desconecte el cargador de la toma de corriente y espere 10 segundos. Vuelva a enchufar el cargador en la toma de corriente y coloque la batería en el cargador. Si el indicador LED del cargador sigue parpadeando en rojo, repita este procedimiento. Si el indicador LED del cargador sigue parpadeando después de 2 intentos, elimine la batería correctamente en una instalación de reciclado de baterías.</li>   <li>2. Elimine correctamente la batería en una instalación de reciclado de baterías.</li> </ol>

# Información sobre las Advertencias de la Proposición 65 de California

## ¿Qué significa esta advertencia?

Puede ver un producto a la venta que lleva una etiqueta de advertencia como la siguiente:



**ADVERTENCIA: Cáncer y daños reproductivos –**  
[www.p65Warnings.ca.gov](http://www.p65Warnings.ca.gov).

## ¿Qué es la Proposición 65?

La Proposición 65 afecta a cualquier empresa que tenga presencia en California, que venda productos en California, o que fabrique productos que podrían ser introducidos o vendidos en California. Esta ley exige que el Gobernador de California mantenga y publique una lista de sustancias químicas identificadas como causantes de cáncer, defectos de nacimiento y/u otros daños reproductivos. La lista, que se actualiza anualmente, incluye cientos de productos químicos que se encuentran en muchos artículos de uso diario. El propósito de la Proposición 65 es informar al público sobre la exposición a estos productos químicos.

La Proposición 65 no prohíbe la venta de productos que contengan estos productos químicos, sino que requiere la presencia de advertencias en el producto, el envase y la documentación suministrada con el producto. Además, una advertencia de la Proposición 65 no significa que el producto contravenga ninguna norma o requisito de seguridad. De hecho, el gobierno de California ha aclarado que una advertencia bajo la Proposición 65 "no es lo mismo que una decisión legal sobre la 'seguridad' o la 'inseguridad' de un producto". Muchos de estos productos químicos han sido utilizados durante años en productos de uso diario sin que se hayan producido daños documentados. Para obtener más información, visite <https://oag.ca.gov/prop65/faqs-view-all>.

Una advertencia de la Proposición 65 significa que una empresa (1) ha evaluado la exposición y ha concluido que supera el nivel de "sin riesgo significativo"; o (2) ha optado por proporcionar una advertencia basándose en sus conocimientos respecto a la presencia de un producto químico de los incluidos en la lista, sin intentar evaluar la exposición.

## ¿Esta ley es aplicable en todas partes?

Las advertencias de la Proposición 65 sólo son obligatorias bajo la legislación de California. Estas advertencias se ven por toda California en una gran variedad de entornos, incluyendo entre otros restaurantes, tiendas de alimentación, hoteles, escuelas y hospitales, y en una amplia variedad de productos. Además, algunos minoristas de Internet y de la venta por correo incluyen advertencias de la Proposición 65 en sus sitios web o en sus catálogos.

## ¿Qué diferencia hay entre las advertencias de California y los límites federales?

Las normas de la Proposición 65 son a menudo más exigentes que las normas federales o internacionales. Varias sustancias requieren una advertencia bajo la Proposición 65 a niveles muy inferiores a los límites federales. Por ejemplo, el nivel exigido por la Proposición 65 para las advertencias sobre el plomo es de 0.5 µg/día, que es muy inferior a lo que exigen las normas federales e internacionales.

## ¿Por qué no llevan la advertencia todos los productos similares?

- Los productos vendidos en California deben llevar etiquetas bajo la Proposición 65, mientras que otros productos similares que se venden en otros lugares no las necesitan.
- Una empresa puede estar obligada a incluir advertencias de Proposición 65 en sus productos como condición de un acuerdo tras un procedimiento legal relacionado con la Proposición 65, pero otras empresas que fabrican productos similares no tienen necesariamente la misma obligación.
- La aplicación de la Proposición 65 no es uniforme.
- Algunas empresas pueden optar por no proporcionar advertencias porque concluyen que no están obligadas a hacerlo bajo la Proposición 65; la falta de advertencias en un producto no significa que el producto esté libre de los productos químicos incluidos en la lista a niveles similares.

## ¿Por qué incluimos esta advertencia?

Nuestra empresa ha optado por ofrecer a los consumidores el máximo de información posible, para que puedan tomar decisiones informadas sobre los productos que adquieren y utilizan. Ofrecemos advertencias en algunos casos basadas en su conocimiento de la presencia de una o más sustancias químicas incluidas en la lista, sin evaluar el nivel de exposición, ya que no todas las sustancias químicas de la lista incluyen requisitos de límites de exposición. Aunque la exposición que provocan nuestros productos puede ser insignificante, o estar dentro de los límites de la categoría "sin riesgo significativo", hemos optado por proporcionar las advertencias de la Proposición 65 por simple precaución. Además, si no incluimos estas advertencias, la empresa podría enfrentarse a demandas interpuestas por el Estado de California o por partes privadas que deseen aplicar la Propuesta 65, y a importantes sanciones.



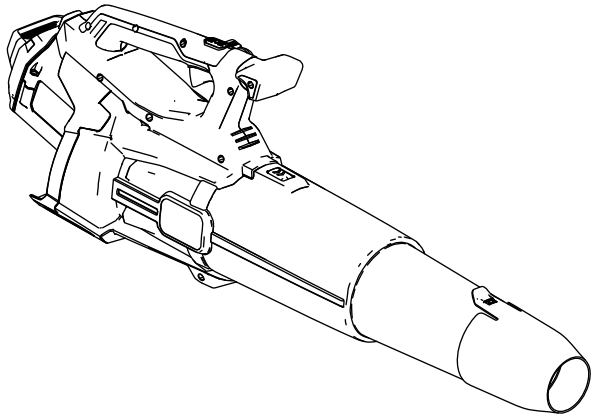
**Count on it.**

**Manuel de l'utilisateur**

# Souffleur Flex-Force Power System™ 60 V MAX

N° de modèle 51827—N° de série 324000000 et suivants

N° de modèle 51827T—N° de série 324000000 et suivants



Enregistrez votre produit à  
[www.Toro.com](http://www.Toro.com).  
Traduction du texte d'origine (FR)



\* 3 4 6 7 - 1 0 7 \*



**Si vous avez besoin d'aide, visionnez les vidéos d'instruction sur [www.Toro.com/support](http://www.Toro.com/support) ou appelez le 1-888-384-9939 avant de renvoyer ce produit.**

## **⚠ ATTENTION**

### **CALIFORNIE**

#### **Proposition 65 - Avertissement**

**Le cordon d'alimentation de cette machine contient du plomb, une substance chimique considérée par l'état de Californie comme susceptible de provoquer des malformations congénitales et autres troubles de la reproduction. Lavez-vous les mains après avoir manipulé la batterie.**

**L'utilisation de ce produit peut entraîner une exposition à des substances chimiques considérées pas l'état de Californie comme capables de provoquer des cancers, des anomalies congénitales ou d'autres troubles de la reproduction.**

## **Introduction**

Ce souffleur est destiné au grand public et permet de déblayer les débris assimilables aux feuilles en extérieur, selon les besoins. Il est conçu pour fonctionner avec des batteries lithium-ion Flex-Force de 60 V. Ces batteries sont conçues pour être chargées uniquement avec les chargeurs de batteries lithium-ion Flex-Force de 60 V. L'utilisation de ces produits à d'autres fins que celles prévues peut être dangereuse pour vous-même et toute personne à proximité.

**Le modèle 51827T ne comprend pas de batterie ni de chargeur.**

© 2024—The Toro®  
Company  
8111 Lyndale Avenue  
South  
Bloomington, MN  
55420

Enregistrez  
votre produit à  
[www.Toro.com](http://www.Toro.com).

Traduction du texte  
d'origine (FR)  
**Imprimé au Vietnam**  
Tous droits réservés

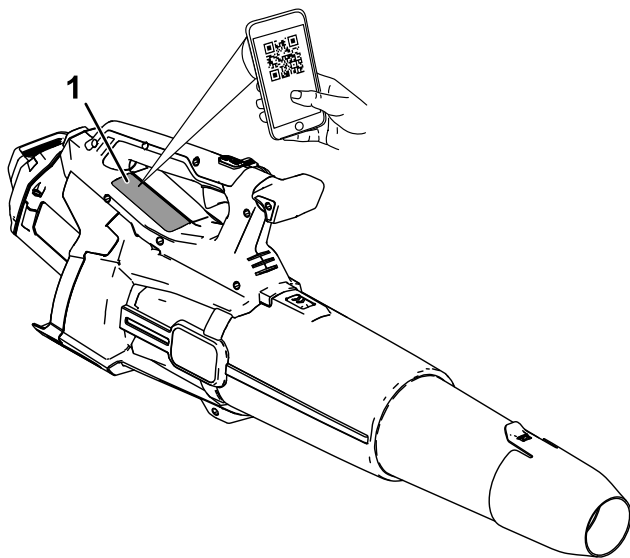


Lisez attentivement cette notice pour apprendre comment utiliser et entretenir correctement votre produit, et éviter ainsi de l'endommager ou de vous blesser. Vous êtes responsable de l'utilisation sûre et correcte du produit.

Pour plus d'information, y compris des conseils de sécurité, des documents de formation, des renseignements concernant un accessoire, pour obtenir l'adresse d'un dépositaire ou pour enregistrer votre produit, rendez-vous sur le site [www.Toro.com](http://www.Toro.com).

Pour obtenir des prestations de service, des pièces Toro d'origine ou des renseignements complémentaires, munissez-vous des numéros de modèle et de série du produit et contactez un dépositaire-réparateur ou le service client Toro agréé. La **Figure 1** indique l'emplacement des numéros de modèle et de série du produit. Inscrivez les numéros dans l'espace réservé à cet effet.

**Important:** Avec votre appareil mobile, vous pouvez scanner le code QR (selon l'équipement) sur la plaque du numéro de série pour accéder à l'information sur la garantie, les pièces et autres renseignements concernant le produit.



**Figure 1**

g472719

1. Emplacement des numéros de modèle et de série

N° de modèle \_\_\_\_\_

N° de série \_\_\_\_\_



# Symbole de sécurité

Le symbole de sécurité (Figure 2) utilisé dans ce manuel et sur l'appareil identifie d'importants messages de sécurité dont vous devez tenir compte pour éviter des accidents.



**Figure 2**

Symbole de sécurité

g000502

---

Le symbole de sécurité apparaît au-dessus de toute information signalant des actions ou des situations dangereuses. Il est suivi de la mention **DANGER, ATTENTION** ou **PRUDENCE**.

**DANGER** signale un danger immédiat qui, s'il n'est pas évité, **entraînera obligatoirement** des blessures graves ou mortelles.

**ATTENTION** signale un danger potentiel qui, s'il n'est pas évité, **risque d'entraîner** des blessures graves ou mortelles.

**PRUDENCE** signale un danger potentiel qui, s'il n'est pas évité, **peut éventuellement entraîner** des blessures légères ou modérées.

Ce manuel utilise également deux autres termes pour faire passer des renseignements essentiels. **Important**, pour attirer l'attention sur une information d'ordre mécanique spécifique, et **Remarque**, pour souligner une information d'ordre général méritant une attention particulière.

# Sécurité

## ▲ ATTENTION

Prenez connaissance de toutes les consignes de sécurité, instructions, illustrations et spécifications qui accompagnent cet appareil.

***Le non respect de toutes les instructions énoncées ci-après peut entraîner des chocs électriques, un incendie et/ou des blessures graves.***

Conservez précieusement toutes les mises en garde et consignes de sécurité pour référence ultérieure.

*Le terme « appareil » utilisé dans toutes les mises en garde renvoie à votre appareil branché sur le secteur (câblé) ou alimenté par batterie (sans fil).*

### I. Sécurité sur la zone de travail

1. **La zone de travail doit être propre et bien éclairée.** *Les endroits sombres et encombrés sont propices aux accidents.*
2. **N'utilisez jamais les appareils dans des atmosphères explosives, en présence de liquides, gaz ou poussière inflammables par exemple.** *Les appareils produisent des étincelles qui peuvent enflammer la poussière ou les vapeurs/émanations.*
3. **Tenez enfants et spectateurs à distance pendant l'utilisation d'un appareil.** *Les distractions peuvent entraîner la perte de contrôle de l'outil.*

### II. Sécurité électrique

1. **La fiche des appareils doit correspondre au type de prise utilisé. Ne modifiez jamais la fiche électrique. N'utilisez pas d'adaptateur avec les appareils reliés à la terre.** *Les fiches et prises correspondantes non modifiées réduisent le risque de choc électrique.*
2. **Évitez tout contact du corps avec des surfaces reliées à la terre/masse, par exemple tuyaux, radiateurs, cuisinières et réfrigérateurs.** *Le risque de choc électrique augmente si vous êtes relié à la terre.*
3. **N'exposez pas les appareils à la pluie ou à l'humidité.** *Toute infiltration d'eau dans un appareil augmente le risque de choc électrique.*

4. **Ne maltraitez pas le cordon d'alimentation. Ne vous servez jamais du cordon pour transporter, tirer ou débrancher l'appareil. Éloignez le cordon des surfaces chaudes, de la graisse, des arêtes vives ou des pièces mobiles. Les cordons endommagés ou emmêlés augmentent le risque de choc électrique.**
5. **Si vous utilisez un appareil à l'extérieur, utilisez toujours une rallonge adaptée à l'usage extérieur. L'utilisation d'une rallonge prévue pour l'usage extérieur réduit le risque de choc électrique.**
6. **Si l'utilisation d'un appareil dans un endroit humide ne peut être évitée, utilisez une alimentation protégée par un dispositif différentiel à courant résiduel (RCD). L'utilisation d'un disjoncteur différentiel réduit le risque de choc électrique.**

### III. Sécurité personnelle

1. **Restez alerte, concentrez-vous sur votre tâche et faites preuve de bon sens lorsque vous utilisez un appareil. N'utilisez jamais un appareil si vous êtes fatigué(e) ou sous l'emprise de l'alcool, de drogues ou de médicaments. Un seul moment d'inattention pendant l'utilisation peut entraîner de graves blessures.**
2. **Utilisez des équipements de protection individuelle. Portez toujours une protection oculaire. Les équipements de protection comme les masques antipoussière, les chaussures de sécurité à semelle antidérapante, les casques et les protections antibruit utilisés de manière pertinente réduisent les risques de blessures.**
3. **Évitez tout démarrage accidentel. Assurez-vous que l'interrupteur Marche/Arrêt est en position ARRÊT avant de connecter l'outil à une source d'alimentation et/ou à la batterie, de le prendre en main ou de le transporter. Des accidents peuvent se produire si vous transportez un appareil en gardant le doigt sur l'interrupteur Marche/Arrêt ou si vous le mettez sous tension sans avoir placé l'interrupteur en position d'arrêt.**
4. **Retirez toute clé de réglage ou autre avant de mettre l'appareil en marche. Une clé oubliée sur une pièce rotative de l'appareil pourrait vous blesser.**
5. **Ne travaillez pas trop loin devant vous. Gardez toujours les pieds bien posés à terre et faites en sorte de ne pas perdre l'équilibre. Vous garderez ainsi le contrôle de l'appareil si un événement inattendu se produit.**
6. **Portez des vêtements adéquats. Ne portez pas de vêtements amples ni de bijoux pendants. N'approchez pas les cheveux ni les vêtements des pièces en mouvement. Les vêtements amples,**

*les bijoux pendants ou les cheveux longs peuvent se prendre dans les pièces mobiles.*

7. **Si des dispositifs sont fournis pour le raccordement d'équipements de dépoussiérage et de récupération, assurez-vous qu'ils sont connectés et utilisés correctement.** *L'utilisation d'un dispositif de récupération des poussières peut réduire les risques associés aux poussières.*
8. **Même si vous avez l'habitude d'utiliser les outils, ne relâchez pas votre attention et n'ignorez pas les principes de sécurité des outils.** *Une imprudence peut causer des blessures graves en une fraction de seconde.*

## IV. Utilisation et entretien de l'appareil

1. **Ne faites pas forcer l'appareil. Utilisez l'appareil qui convient pour la tâche à accomplir.** *Un appareil adapté donnera de meilleurs résultats et sera moins dangereux s'il est utilisé dans les limites prévues.*
2. **Ne vous servez pas de l'appareil si l'interrupteur Marche/Arrêt ne permet pas de le mettre en marche et de l'arrêter correctement.** *Un appareil qui ne peut pas être commandé par l'interrupteur Marche/Arrêt est dangereux et doit être réparé.*
3. **Débranchez l'appareil de la source d'alimentation et/ou enlevez la batterie, si elle est amovible, avant d'effectuer des réglages, de changer d'accessoire ou de ranger l'appareil.** *Ces mesures de sécurité préventives réduisent le risque de démarrage accidentel de l'appareil.*
4. **Rangez les appareils non utilisés hors de la portée des enfants et ne confiez leur utilisation qu'à des personnes qui en connaissent le maniement et qui ont lu ces instructions.** *Les appareils sont dangereux s'ils sont mis entre les mains d'utilisateurs novices.*
5. **Faites l'entretien de l'appareil et des accessoires. Assurez-vous qu'aucune pièce n'est mal alignée, grippée, cassée ou présente tout autre défaut susceptible d'affecter le bon fonctionnement de l'appareil. S'il est endommagé, faites réparer l'appareil avant de l'utiliser.** *De nombreux accidents sont causés par des appareils en mauvais état.*
6. **Gardez les outils de coupe propres et bien affûtés.** *Des outils de coupe entretenus correctement et bien affûtés sont moins susceptibles de coincer et sont plus faciles à contrôler.*
7. **Utilisez l'appareil, les accessoires, les outils rapportés, etc. en conformité avec ces instructions, en tenant compte des conditions de travail et de la tâche à réaliser.** *L'utilisation de l'appareil pour des opérations autres que celles prévues peut engendrer une situation dangereuse.*
8. **Gardez les poignées et surfaces de préhension sèches, propres et exemptes d'huile et de graisse.** *Les poignées et les surfaces de préhension glissantes ne permettent pas de manipuler et de contrôler l'outil en toute sécurité dans des situations imprévues.*

## V. Utilisation et entretien des outils à batterie

1. **Ne les rechargez qu'avec le chargeur spécifié par le fabricant.** *Un chargeur convenant à un type de batterie peut créer un risque d'incendie s'il est utilisé avec une autre batterie.*
2. **Utilisez les appareils uniquement avec les batteries spécifiquement prévues.** *L'utilisation d'autres batteries peut créer un risque de blessure et d'incendie.*
3. **Lorsque la batterie ne sert pas, rangez-la à distance d'objets métalliques tels que trombones, pièces de monnaie, clés, clous, vis ou autre petit objet métallique qui pourrait relier les bornes entre elles.** *Un court-circuit aux bornes de la batterie peut causer des brûlures ou un incendie.*
4. **Du liquide peut s'échapper de la batterie en cas d'utilisation abusive; évitez tout contact avec le liquide. En cas de contact accidentel, rincez à l'eau. En cas de contact du liquide avec les yeux, consultez en plus un médecin.** *Le liquide qui s'échappe de la batterie peut causer des irritations ou des brûlures.*
5. **N'utilisez pas une batterie ou un outil qui a été endommagé(e) ou modifié(e).** *Les batteries endommagées ou modifiées peuvent se comporter de manière imprévisible et causer un incendie, une explosion ou des blessures.*
6. **N'exposez pas les batteries ou les outils au feu ou à une température excessive.** *L'exposition au feu ou à une température supérieure à 130 °C (265 °F) peut provoquer une explosion.*
7. **Suivez toutes les instructions de charge et ne chargez pas la batterie ou l'outil en dehors de la plage de température spécifiée dans les instructions.** *Une charge incorrecte ou à des températures en dehors de la plage spécifiée peut endommager la batterie et augmenter le risque d'incendie.*

## VI. Entretien

1. **Confiez l'entretien de votre appareil à un réparateur qualifié utilisant exclusivement des pièces de rechange identiques.** *La sécurité de votre appareil sera ainsi maintenue.*
2. **Ne faites jamais l'entretien des batteries endommagées.** *L'entretien des batteries ne doit être effectué que par le fabricant ou les fournisseurs de services autorisés.*

## VII. Consignes de sécurité concernant le souffleur

1. **N'utilisez pas l'appareil par mauvais temps, surtout s'il existe un risque d'orage.** *Cela réduit le risque d'être frappé par la foudre.*
2. **Portez une protection oculaire et auditive.** *L'utilisation d'équipements de protection adaptés réduit les risques de blessures.*
3. **Portez toujours des chaussures de sécurité à semelle antidérapante pour utiliser l'appareil. Ne travaillez jamais pieds nus ou en sandales.** *Cela réduit le risque de blessure aux pieds.*
4. **Ne portez pas de vêtement flottants ou autres articles tels que foulards, colliers, chaînes, cravates, etc., qui pourraient être aspirés dans les prises d'air. Attachez ou couvrez vos cheveux s'ils sont longs afin qu'ils ne soient pas aspirés dans les prises d'air. Si l'un des objets mentionnés sont aspirés dans les prises d'air, cela peut augmenter le risque de blessure.**
5. **N'autorisez personne à s'approcher de l'appareil en marche.** *Les débris éventuellement projetés peuvent accroître le risque de blessure.*
6. **Ne dirigez jamais l'embout du souffleur vers des personnes ou des animaux, ni vers des fenêtres. Redoublez de prudence lorsque vous soufflez des débris près d'objets solides, tels que arbres, automobiles et murs sur lesquels ils pourraient ricocher.** *Les objets projetés peuvent causer des dommages matériels et augmenter le risque de blessure.*
7. **N'utilisez pas l'appareil pour souffler des objets incandescents ou qui dégagent de la fumée, tels cigarettes, allumettes ou cendres chaudes.** *Ces sources d'inflammation peuvent accroître le risque d'incendie.*
8. **Ne touchez pas le ventilateur pendant qu'il continue de tourner. Arrêtez l'appareil et attendez l'arrêt complet du ventilateur avant de retirer toute pièce permettant d'accéder au ventilateur.** *Cela réduit le risque de blessure par des pièces mobiles.*
9. **Lorsque vous éliminez une obstruction ou que vous faites l'entretien de l'appareil, assurez-vous que l'interrupteur d'alimentation est en position Arrêt.** *La mise en marche inopinée de l'appareil pendant le dégagement d'une obstruction ou l'entretien peut entraîner des blessures graves.*

# Autocollants de sécurité et d'instruction



Des autocollants de sécurité et des instructions bien visibles par l'opérateur sont placés près de tous les endroits potentiellement dangereux. Remplacez tout autocollant endommagé ou manquant.

**⚠ WARNING** To reduce risk of injury to persons, remove battery pack when not in use. For household use only. Store indoors. For use with approved TORO 60V accessories, batteries & charger models.

**⚠ AVERTISSEMENT** Pour réduire les risques de blessures corporelles, retirez la batterie quand vous ne l'utilisez pas. Réservez à l'usage domestique. Remisez à l'intérieur. À utiliser avec les accessoires, batteries et modèles de chargeurs TORO 60V approuvés.

**⚠ ADVERTENCIA** Para reducir el riesgo de lesiones a personas, retire la batería cuando no esté en uso. Únicamente para uso doméstico. Almacenar en espacios interiores. Para su uso con modelos aprobados de baterías y cargadores TORO de 60 V.

**⚠ WARNING: Cancer and Reproductive Harm** - [www.P65Warnings.ca.gov](http://www.P65Warnings.ca.gov). For more information, please visit [www.ttcocaprop65.com](http://www.ttcocaprop65.com)

**⚠ AVERTISSEMENT: Cancer et Troubles de l'appareil reproducteur** - [www.P65Warnings.ca.gov](http://www.P65Warnings.ca.gov). Pour plus d'informations, veuillez visiter [www.toro.com/CAProp65](http://www.toro.com/CAProp65)

**⚠ ADVERTENCIA: Cáncer y Daño Reproductivo** - [www.P65Warnings.ca.gov](http://www.P65Warnings.ca.gov). Para obtener más información, visite [www.toro.com/CAProp65](http://www.toro.com/CAProp65)

decal161-7051

161-7051

1	2	3
<b>60V MAX* DC BLOWER / VENTILATEUR / SOPLADOR</b> PATENT: <a href="http://www.ttcopats.com">www.ttcopats.com</a> Country of Origin: Vietnam		
*60VDC MAXIMUM / 54VDC NOMINAL *60 VDC MAXIMUM / 54 VDC NOMINALE		Model: <b>51827T</b>
THE TORO COMPANY 8111 Lyndale Avenue South Bloomington, MN 55420-1196 USA		
*60 VDC MAXIMA / 54 VDC NOMINAL Conforms to / Conforme à la norme/ Cumples la norma UL STD 62841-1 & 62841-4-6		
Certified to / Certifié / Homologada según CSA STD CAN/CSA-C22.2 No. 62841-1 & CAN/CSA-C22.2 No. 62841-4-6		
Code de date / Código de fecha: Serial Number:		
ETL Intertek 5018666 Numéro de série / Número de Serie		

decal161-7054

161-7054

1. Attention – Lisez le *Manuel de l'utilisateur*; portez une protection oculaire et auditive; n'exposez pas l'appareil à la pluie ou la neige; ne vous approchez pas des pièces en mouvement; gardez toutes les protections et tous les capots en place; retirez la batterie avant d'effectuer un entretien.
2. Attention – n'autorisez personne à s'approcher de l'appareil, quelle que soit la direction.
3. Risque de projection d'objets – n'autorisez personne à s'approcher de l'appareil.



**60V MAX\* DC** **BLOWER / VENTILATEUR / SOPLADOR** PATENT: [www.ttcopats.com](http://www.ttcopats.com) Country of Origin: Vietnam

\*60VDC MAXIMUM / 54VDC NOMINAL \*60 VDC MAXIMUM / 54 VDC NOMINALE

THE TORO COMPANY \*60 VDC MÁXIMA / 54 VDC NOMINAL

8111 Lyndale Avenue South Conforms to / Conforme à la norme/ Cumpõe  
Bloomington, MN 55420-1196 USA la norma UL STD 92841-1 & 92841-4-6

Certified to / Certifié / Homologada según  
CSA STD CAN/CSA-C22.2 No. 62841-1 & CAN/CSA-C22.2 No. 62841-4-6

Model: **51827**

Modèle / Modelo:

Date Code:

Serial Number:

5018666 Numéro de série / Número de Serie

INSTR  
OR CODE  
HERE

decal161-7050

## 161-7050

1. Attention – Lisez le *Manuel de l'utilisateur*; portez une protection oculaire et auditive; n'exposez pas l'appareil à la pluie ou la neige; ne vous approchez pas des pièces en mouvement; gardez toutes les protections et tous les capots en place; retirez la batterie avant d'effectuer un entretien.
2. Attention – n'autorisez personne à s'approcher de l'appareil, quelle que soit la direction.
3. Risque de projection d'objets – n'autorisez personne à s'approcher de l'appareil.

**FLEX-FORCE**  
POWER SYSTEM® LI-ION

CHARGING PROCEDURE (LED INDICATOR) DO NOT REMOVE THIS DECAL

100%

1 DE CHARGEMENT (ANT DEL) RETIRER CET AUTOCOLLANT

2 (ANT DEL)

3 NTO DE CARGA (INDICADOR LED) REMUEVA ESTA PEGAJA

4 (INDICADOR LED)

decal161-3775

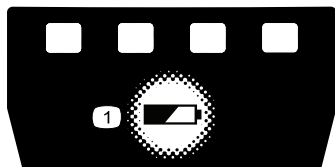
## 161-3775

1. La batterie est en charge.
2. La batterie est complètement chargée.
3. La température de la batterie est supérieure ou inférieure à la plage de température appropriée.
4. Anomalie de charge de la batterie



decal161-3774

161-3774



decal161-3764

161-3764

1. État de charge de la batterie



decal161-7064

161-7064

1. Lisez le *Manuel de l'utilisateur*.
2. Programme de recyclage des batteries Call2Recycle®
3. Recycler la batterie
4. Ne pas jeter n'importe où
5. Tenir à l'écart du feu ou des flammes
6. Ne pas exposer à la pluie
7. Risque de choc électrique

# Mise en service

**Important:** La batterie n'est pas complètement chargée à l'achat. Avant la toute première utilisation de l'outil, voir [Charge de la batterie \(page 24\)](#).

## Montage du chargeur de batterie (option)

Si vous le souhaitez, vous pouvez fixer le chargeur de batterie solidement sur un mur à l'aide des fentes situées au dos.

Montez-le à l'intérieur (par exemple dans un garage ou tout autre endroit à l'abri de l'humidité), à proximité d'une prise de courant et hors de la portée des enfants.

Voir la [Figure 3](#) pour vous aider à monter le chargeur.

Pour fixer le chargeur en place, insérez-le sur les fixations installées à la bonne position (fixations non incluses).

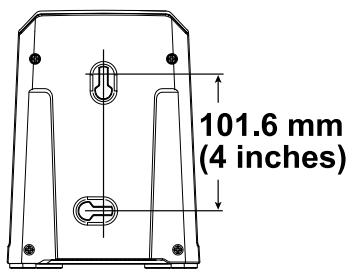


Figure 3

g290534

# Assemblage du souffleur

1. Installez l'embout sur le tube du souffleur.

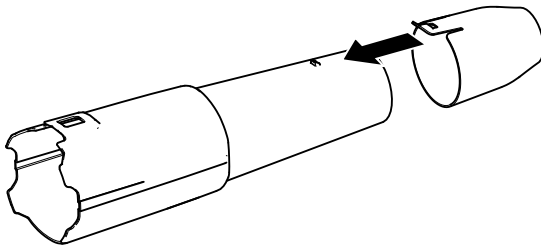


Figure 4

g472735

- 
2. Glissez le tube du souffleur sur le carter du souffleur. Vous devrez éventuellement appuyer sur le verrou du tube du souffleur pour le bloquer en position (Figure 5).

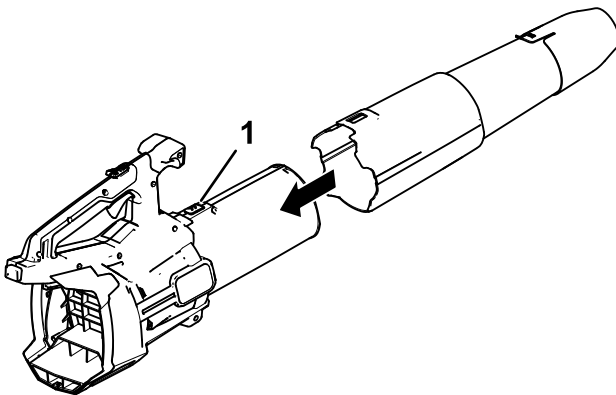


Figure 5

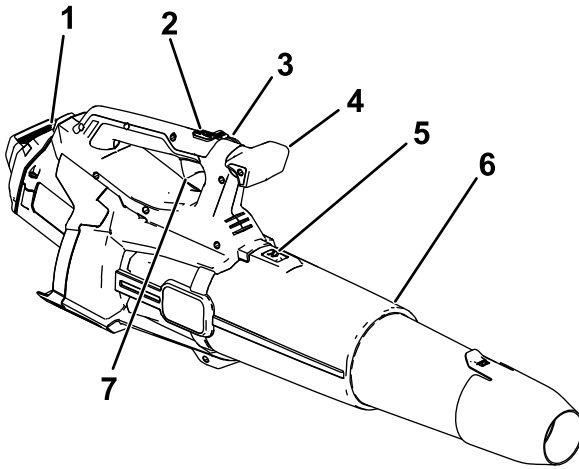
g472734

1. Verrou de tube

---

**Remarque:** Le souffleur peut aussi fonctionner sans l'embout ou avec le tube du souffleur entièrement déposé.

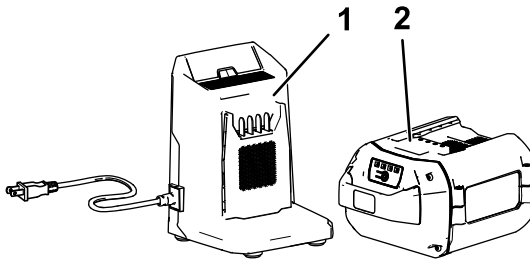
# Vue d'ensemble du produit



g472736

**Figure 6**

- |                                     |                                 |
|-------------------------------------|---------------------------------|
| 1. Batterie et cavité dans batterie | 5. Verrou du tube du souffleur  |
| 2. Bouton Turbo Boost               | 6. Tube de souffleur            |
| 3. Blocage de vitesse               | 7. Gâchette de vitesse variable |
| 4. Bouton du manche                 |                                 |



g355813

**Figure 7**

- |  |   |
|--|---|
| 1. Chargeur de batterie modèle 88902 (inclus avec le modèle 51827) | 2. Batterie modèle 88941 (incluse avec le modèle 51827) |
|--|---|

# Caractéristiques techniques

<b>Modèle</b>	51827, 51827T
<b>Tension nominale</b>	60 V c.c. maximum, 54 V c.c. utilisation nominale
<b>Type de chargeur</b>	Chargeurs de batteries lithium-ion Flex-Force de 60 V
<b>Type de batterie</b>	Batteries lithium-ion Flex-Force 60 V

## Plages de température adéquates

Charger/ranger la batterie entre	5 °C (41 °F) et 40 °C (104 °F)*
Utiliser la batterie entre	-30 °C (-22 °F) et 49 °C (120 °F)
Utiliser le souffleur entre	-30 °C (-22 °F) et 49 °C (120 °F)

\*Le temps de charge sera plus long en dehors de cette plage de température.

Rangez l'outil, la batterie et le chargeur dans un lieu fermé, propre et sec.

## Accessoires/outils

Une sélection d'outils et accessoires agréés par Toro est disponible pour augmenter et améliorer les capacités de l'appareil. Pour obtenir la liste de tous les accessoires et outils agréés, contactez votre dépositaire-réparateur ou distributeur Toro agréé, ou rendez-vous sur le site [www.Toro.com](http://www.Toro.com).

Pour garantir un rendement optimal et conserver la certification de sécurité de l'appareil, utilisez uniquement des pièces de rechange et accessoires Toro d'origine. Les pièces de rechange et accessoires d'autres constructeurs peuvent être dangereux.

# Utilisation

## ⚠ ATTENTION

Le souffleur peut projeter des débris et vous blesser gravement, ainsi que toute personne à proximité.

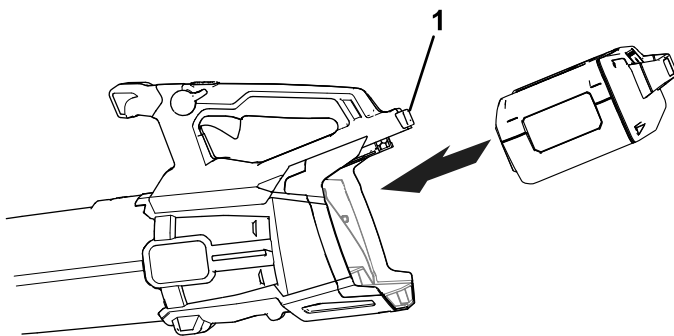
- Ne soufflez pas sur des objets durs du type clous ou boulons.
- N'utilisez pas le souffleur près de personnes ou d'animaux.
- Attention à la direction du soufflage (ne soufflez pas vers en direction de personnes, fenêtres, automobiles, etc.). Utilisez uniquement la vitesse nécessaire.
- Soyez particulièrement prudent lorsque vous nettoyez des escaliers ou d'autres endroits peu accessibles.

## Démarrage du souffleur

**Important:** Utilisez la batterie uniquement à des températures comprises dans la plage adéquate; voir [Caractéristiques techniques \(page 18\)](#).

**Remarque:** Veillez à utiliser une batterie de plus de 2,5 Ah pour obtenir la pleine puissance.

1. Assurez-vous que les prises d'air du souffleur sont exemptes de poussière et de débris.
2. Alignez le creux de la batterie sur la languette du corps du manche ([Figure 8](#)).
3. Tenez la batterie par la poignée et poussez-la dans la poignée de l'outil jusqu'à ce que le verrou s'enclenche en position ([Figure 8](#)).



g472718

**Figure 8**

1. Verrou de batterie

---



4. Pour mettre le souffleur en marche, serrez la gâchette de vitesse variable (Figure 9).

**Remarque:** Enclenchez le blocage de vitesse pour garder l'appareil en marche sans avoir à appuyer sur la gâchette de vitesse variable (Figure 9).

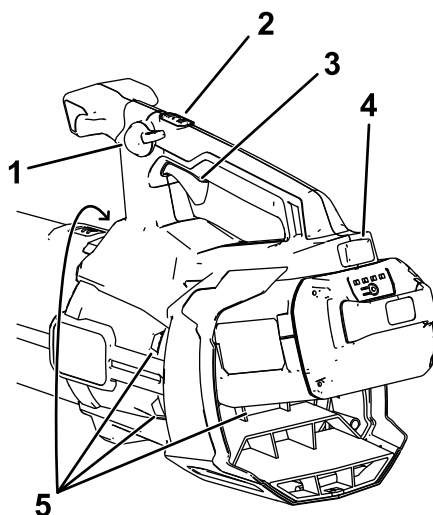


Figure 9

g472737

- |                                 |                            |
|---------------------------------|----------------------------|
| 1. Blocage de vitesse           | 4. Verrou de batterie      |
| 2. Bouton Turbo Boost           | 5. Événements du souffleur |
| 3. Gâchette de vitesse variable |                            |

# Réglage du débit d'air du souffleur

Pour régler le débit du souffleur en marche, serrez la gâchette de vitesse variable (Figure 9).

Pour maintenir le débit d'air actuel, engagez le blocage de vitesse (Figure 9).

Pour obtenir des performances maximales, appuyez sur la gâchette de vitesse variable, puis sur le bouton Turbo Boost pour activer la fonction Turbo Boost (Figure 9).

Pour désactiver la fonction Turbo Boost, appuyez de nouveau sur le bouton ou relâchez complètement la gâchette de vitesse variable.

## Arrêt du souffleur

Pour arrêter le souffleur, déverrouillez le blocage de vitesse (le cas échéant) et relâchez la gâchette de vitesse variable (Figure 9).

**Important: Après avoir arrêté le souffleur, ne laissez pas le blocage de vitesse enclenché alors que la batterie se trouve sur le souffleur.**

Chaque fois que vous cessez d'utiliser le souffleur ou que vous le transportez vers ou de la zone de travail, enlevez la batterie.

## Retrait du tube du souffleur

Appuyez sur la languette de verrouillage pour séparer le tube du souffleur (Figure 10).

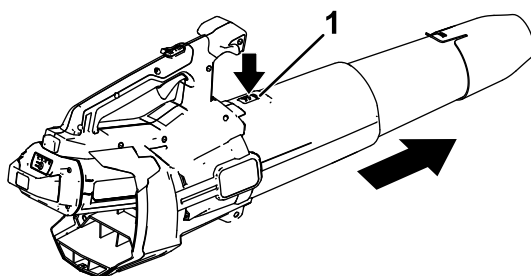


Figure 10

g472738

1. Verrou de tube

# Retrait de la batterie du souffleur

Appuyez sur le verrou de la batterie pour la débloquer et sortez-la du souffleur (Figure 11).

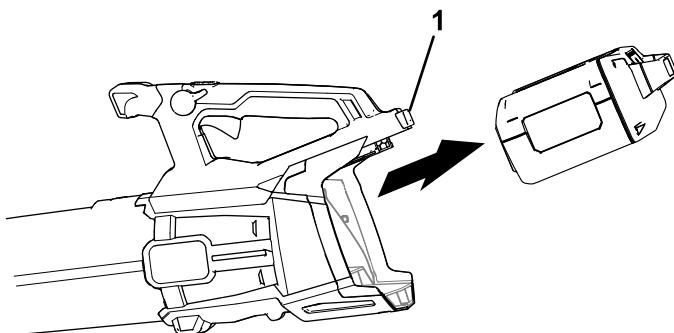


Figure 11

g472739

1. Verrou de batterie
-

# Charge de la batterie

**Important:** La batterie n'est pas complètement chargée à l'achat. Avant d'utiliser l'outil pour la première fois, placez la batterie dans le chargeur et chargez-la jusqu'à ce que les DEL indiquent que la batterie est complètement chargée. Lisez toutes les consignes de sécurité.

**Important:** Chargez la batterie uniquement à des températures comprises dans la plage adéquate; voir [Caractéristiques techniques \(page 18\)](#).

**Remarque:** À tout moment, appuyez sur le bouton indicateur de charge de la batterie pour afficher la charge actuelle (DEL).

1. Vérifiez que les événements de la batterie et du chargeur sont exempts de poussière et de débris.

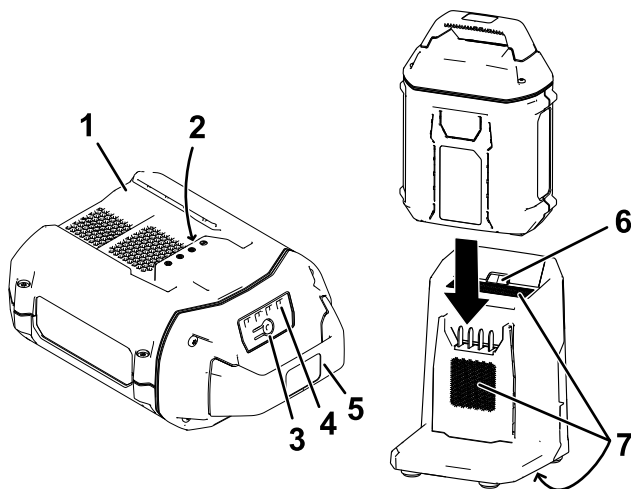


Figure 12

- |                                |                           |
|--------------------------------|---------------------------|
| 1. Creux de la batterie        | 5. Poignée                |
| 2. Bornes de la batterie       | 6. Diode du chargeur      |
| 3. Bouton indicateur de charge | 7. Événements du chargeur |
| 4. DEL (charge actuelle)       |                           |
2. Placez le creux de la batterie ([Figure 12](#)) en face de la languette du chargeur.
  3. Glissez la batterie dans le chargeur jusqu'à ce qu'elle soit complètement enclenchée ([Figure 12](#)).
  4. Pour retirer la batterie du chargeur, faites-la glisser vers l'arrière.

g473274

5. Reportez-vous au tableau ci-dessous pour interpréter les indications de la diode sur le chargeur de batteries.

Diode	Indication
Éteinte	Pas de batterie présente
Clignotement vert	La batterie est en charge
Verte	La batterie est chargée
Rouge	La température du chargeur et/ou de la batterie est supérieure ou inférieure à la plage appropriée.
Clignotement rouge	Anomalie de charge de la batterie*

\*Voir la section [Dépistage des défauts \(page 27\)](#) pour plus de précisions.

**Important:** Vous pouvez laisser la batterie dans le chargeur pendant une courte période entre deux utilisations.

Si la batterie ne doit pas servir pendant une période prolongée, retirez-la du chargeur; voir [Remisage \(page 26\)](#).

# Remisage

**Important:** Remisez l'outil, la batterie et le chargeur uniquement à des températures comprises dans la plage adéquate; voir [Caractéristiques techniques \(page 18\)](#).

**Important:** Si vous remisez la batterie à la fin de la saison, retirez-la de l'outil et chargez-la jusqu'à ce que 2 ou 3 de ses diodes deviennent vertes. Ne remisez pas une batterie complètement chargée ou complètement déchargée. Avant de réutiliser l'outil, chargez la batterie jusqu'à ce que le voyant gauche devienne vert sur le chargeur, ou que les 4 diodes de la batterie deviennent vertes.

- Débranchez le produit de l'alimentation (autrement dit, retirez la prise de l'alimentation ou de la batterie) et recherchez tout dommage éventuel après utilisation.
- Ne remisez pas l'outil en laissant la batterie dessus.
- Débarrassez l'appareil de tout corps étranger.
- Lorsqu'ils ne sont pas utilisés, rangez l'outil, la batterie et le chargeur de batteries hors de la portée des enfants.
- N'approchez pas l'outil, la batterie et le chargeur des agents corrosifs, tels les produits chimiques de jardinage et les sels de dégivrage.
- Pour réduire les risques de blessures graves, ne rangez pas la batterie à l'extérieur ou dans un véhicule.
- Rangez l'outil, la batterie et le chargeur dans un lieu fermé, propre et sec.

# Préparation de la batterie pour le recyclage

**Important:** Après avoir retiré la batterie, recouvrez les bornes de ruban adhésif épais. N'essayez pas de détruire ou de démonter la batterie ni de déposer aucun de ses composants.



Les batteries lithium-ion qui portent le label Call2Recycle peuvent être recyclées auprès de n'importe quel revendeur ou centre de recyclage de batteries participant au programme Call2Recycle (États-Unis et Canada uniquement). Pour trouver le revendeur ou le centre participant le plus proche, téléphonez au 1-800-822-8837 ou rendez-vous sur [www.call2recycle.org](http://www.call2recycle.org). Si vous ne trouvez pas de revendeur ou de centre à proximité, ou si votre batterie rechargeable ne porte pas le label Call2Recycle, contactez votre municipalité pour vous renseigner sur le recyclage responsable de la batterie. Hors des États-Unis et du Canada, veuillez contacter votre dépositaire Toro agréé.

## Dépistage des défauts

Effectuez uniquement les opérations décrites dans cette notice. Tout autre contrôle, entretien ou réparation doit être réalisé par un centre d'entretien agréé ou un spécialiste qualifié si vous n'arrivez pas à résoudre le problème vous-même.

Retirez toujours la batterie avant de dépanner, de contrôler, de nettoyer ou de faire l'entretien de l'outil.

Problème	Cause possible	Mesure corrective
L'outil ne démarre pas.	<ol style="list-style-type: none"><li>1. La batterie n'est pas complètement installée dans l'outil.</li><li>2. La batterie n'est pas chargée.</li><li>3. La batterie est endommagée.</li><li>4. L'outil a un problème de nature électrique.</li></ol>	<ol style="list-style-type: none"><li>1. Retirez et remettez la batterie en place dans l'outil, en vérifiant qu'elle est complètement insérée et enclenchée.</li><li>2. Retirez la batterie de l'outil et chargez-la.</li><li>3. Remplacez la batterie.</li><li>4. Contactez un dépositaire-réparateur agréé.</li></ol>

<b>Problème</b>	<b>Cause possible</b>	<b>Mesure corrective</b>
L'outil n'atteint pas sa pleine puissance.	<ol style="list-style-type: none"> <li>1. La capacité de charge de la batterie est trop faible.</li> <li>2. Les prises d'air sont obstruées.</li> </ol>	<ol style="list-style-type: none"> <li>1. Retirez la batterie de l'outil et chargez-la complètement.</li> <li>2. Retirez la batterie de l'outil et nettoyez les prises d'air.</li> </ol>
L'outil ne fonctionne pas ou fonctionne par intermittence.	<ol style="list-style-type: none"> <li>1. Il y a de l'humidité sur les fils de la batterie.</li> <li>2. La batterie n'est pas complètement installée dans l'outil.</li> <li>3. La charge de la batterie est faible.</li> </ol>	<ol style="list-style-type: none"> <li>1. Laissez sécher ou essuyez la batterie.</li> <li>2. Retirez et remettez la batterie en place dans l'outil, en vérifiant qu'elle est complètement insérée et enclenchée.</li> <li>3. Rechargez la batterie.</li> </ol>
La batterie se décharge rapidement.	<ol style="list-style-type: none"> <li>1. La température de la batterie est supérieure ou inférieure à la plage de température adéquate.</li> </ol>	<ol style="list-style-type: none"> <li>1. Placez la batterie dans un endroit sec, où la température est comprise entre 5 °C (41 °F) et 40 °C (104 °F).</li> </ol>
Le chargeur de batteries est défectueux.	<ol style="list-style-type: none"> <li>1. La température du chargeur de batteries est supérieure ou inférieure à la plage de température adéquate.</li> <li>2. La prise utilisée pour brancher le chargeur n'est pas sous tension.</li> </ol>	<ol style="list-style-type: none"> <li>1. Débranchez le chargeur de batteries et placez-le dans un endroit sec où la température est comprise entre 5 et 40 °C (41 et 104 °F).</li> <li>2. Demandez à un électricien qualifié de réparer la prise.</li> </ol>
La diode du chargeur de batteries est rouge.	<ol style="list-style-type: none"> <li>1. La température du chargeur et/ou de la batterie est supérieure ou inférieure à la plage de température adéquate.</li> </ol>	<ol style="list-style-type: none"> <li>1. Débranchez le chargeur de batteries et placez-le, ainsi que la batterie, dans un endroit sec où la température est comprise entre 5 et 40 °C (41 et 104 °F).</li> </ol>



Problème	Cause possible	Mesure corrective
<p>La diode du chargeur de batteries clignote en rouge.</p>	<ol style="list-style-type: none"> <li>1. Une erreur de communication s'est produite entre la batterie et le chargeur.</li>   <li>2. La batterie est faible.</li> </ol>	<ol style="list-style-type: none"> <li>1. Retirez la batterie du chargeur, débranchez le chargeur de la prise secteur et patientez 10 secondes. Rebranchez le chargeur sur la prise secteur et insérez la batterie dans le chargeur. Si la DEL du chargeur clignote encore en rouge, répétez cette procédure. Si la DEL du chargeur de batteries clignote encore en rouge après 2 tentatives, mettez la batterie au rebut correctement dans un centre de recyclage de batteries.</li>   <li>2. Débarrassez-vous correctement de la batterie dans un centre de recyclage de batteries.</li> </ol>

# Proposition 65 de Californie – Information concernant cet avertissement

## En quoi consiste cet avertissement?

Certains produits commercialisés présentent une étiquette d'avertissement semblable à ce qui suit :



**AVERTISSEMENT : Cancer et troubles de la reproduction – [www.p65Warnings.ca.gov](http://www.p65Warnings.ca.gov).**

## Qu'est-ce que la Proposition 65?

La Proposition 65 s'applique à toute société exerçant son activité en Californie, qui vend des produits en Californie ou qui fabrique des produits susceptibles d'être vendus ou importés en Californie. Elle stipule que le Gouverneur de Californie doit tenir et publier une liste des substances chimiques connues comme causant des cancers, malformations congénitales et/ou autres troubles de la reproduction. Cette liste, qui est mise à jour chaque année, comprend des centaines de substances chimiques présentes dans de nombreux objets du quotidien. La Proposition 65 a pour objet d'informer le public quant à l'exposition à ces substances chimiques.

La Proposition 65 n'interdit pas la vente de produits contenant ces substances chimiques, mais impose la présence d'avertissements sur tout produit concerné, sur son emballage ou sur la documentation fournie avec le produit. D'autre part, un avertissement de la Proposition 65 ne signifie pas qu'un produit est en infraction avec les normes ou exigences de sécurité du produit. D'ailleurs, le gouvernement californien a clairement indiqué qu'un avertissement de la Proposition 65 « n'est pas une décision réglementaire quant au caractère « sûr » ou « dangereux » d'un produit ». Bon nombre de ces substances chimiques sont utilisées dans des produits du quotidien depuis des années, sans aucun effet nocif documenté. Pour plus de renseignements, rendez-vous sur <https://oag.ca.gov/prop65/faqs-view-all>.

Un avertissement de la Proposition 65 signifie qu'une société a soit (1) évalué l'exposition et conclu qu'elle dépassait le « niveau ne posant aucun risque significatif »; soit (2) choisi d'émettre un avertissement simplement sur la base de sa compréhension quant à la présence d'une substance chimique de la liste, sans tenter d'en évaluer l'exposition.

## Cette loi s'applique-t-elle partout?

Les avertissements de la Proposition 65 sont exigés uniquement en vertu de la loi californienne. Ces avertissements sont présents dans tout l'état de Californie, dans des environnements très variés, notamment mais pas uniquement les restaurants, magasins d'alimentation, hôtels, écoles et hôpitaux, et sur un vaste éventail de produits. En outre, certains détaillants en ligne et par correspondance fournissent des avertissements de la Proposition 65 sur leurs sites internet ou dans leurs catalogues.

## Quelles différences entre les avertissements de Californie et les limites fédérales?

Les normes de la Proposition 65 sont souvent plus strictes que les normes fédérales et internationales. Diverses substances exigent un avertissement de la Proposition 65 à des niveaux bien inférieurs aux limites d'intervention fédérales. Par exemple, la norme de la Proposition 65 en matière d'avertissements pour le plomb se situe à 0,5 µg/jour, soit bien moins que les normes fédérales et internationales.

## Pourquoi l'avertissement ne figure-t-il pas sur tous les produits semblables?

- Pour les produits commercialisés en Californie, l'étiquetage Proposition 65 est exigé, tandis qu'il ne l'est pas sur des produits similaires commercialisés ailleurs.
- Il se peut qu'une société impliquée dans un procès lié à la Proposition 65 et parvenant à un accord soit obligée d'utiliser les avertissements de la Proposition 65 pour ses produits, tandis que d'autres sociétés fabriquant des produits semblables peuvent ne pas être soumises à cette obligation.
- L'application de la Proposition 65 n'est pas uniforme.
- Certaines sociétés peuvent choisir de ne pas indiquer d'avertissements car elles considèrent qu'elles n'y sont pas obligées au titre de la Proposition 65; l'absence d'avertissements sur un produit ne signifie pas que le produit ne contient pas de substances de la liste à des niveaux semblables.

## **Pourquoi inclure cet avertissement?**

Notre société a choisi de fournir aux consommateurs le plus d'information possible afin qu'ils puissent prendre des décisions éclairées quant aux produits qu'ils achètent et utilisent. Nous fournissons des avertissements basés, dans certains cas, sur nos connaissances quant à la présence de l'une ou plusieurs des substances chimiques de la liste, sans en évaluer le niveau d'exposition, car des exigences de limites ne sont pas fournies pour tous les produits chimiques de la liste. Bien que l'exposition avec nos produits puisse être négligeable ou parfaitement dans les limites « sans aucun risque significatif », nous avons décidé, par mesure de précaution, de fournir les avertissements de la Proposition 65. De plus, en l'absence de ces avertissements, notre société pourrait faire l'objet de poursuites par l'État de Californie ou par des particuliers cherchant à faire appliquer la Proposition 65, et donc assujettie à d'importantes pénalités.



**Count on it.**