



**Count on it.**

**Parts Catalog**

**GrandStand® HDX Mower  
With 52in TURBO FORCE® Cutting Unit**

Model No. 72506—Serial No. 416325751 and Up



# Ordering Replacement Parts

To order replacement parts, please supply the part number, the quantity, and the description of each part desired.

## Understanding Reference Numbers

Each identified part in an illustration has a reference number. The reference number for a part also appears in the parts list, along with other information about the part.

This catalog uses two special reference number formats, one to indicate parts in a service assembly and another to indicate the quantity of a given part in an illustration.

## Service Assembly Reference Numbers

Parts in service assemblies have reference numbers in the form a:b. The a represents the reference number of the entire service assembly and the b represents a sequential number unique to each part within the service assembly.

For example, a wheel assembly might be identified by reference number 6, the tire by 6:1, the valve by 6:2, and the wheel by 6:3. When you order the assembly identified by reference number 6, you receive all parts identified by reference numbers 6:1, 6:2, and 6:3. However, you may also order any part individually. Reference numbers of this type appear in illustration and in parts lists.

## Reference Numbers Indicating Quantity

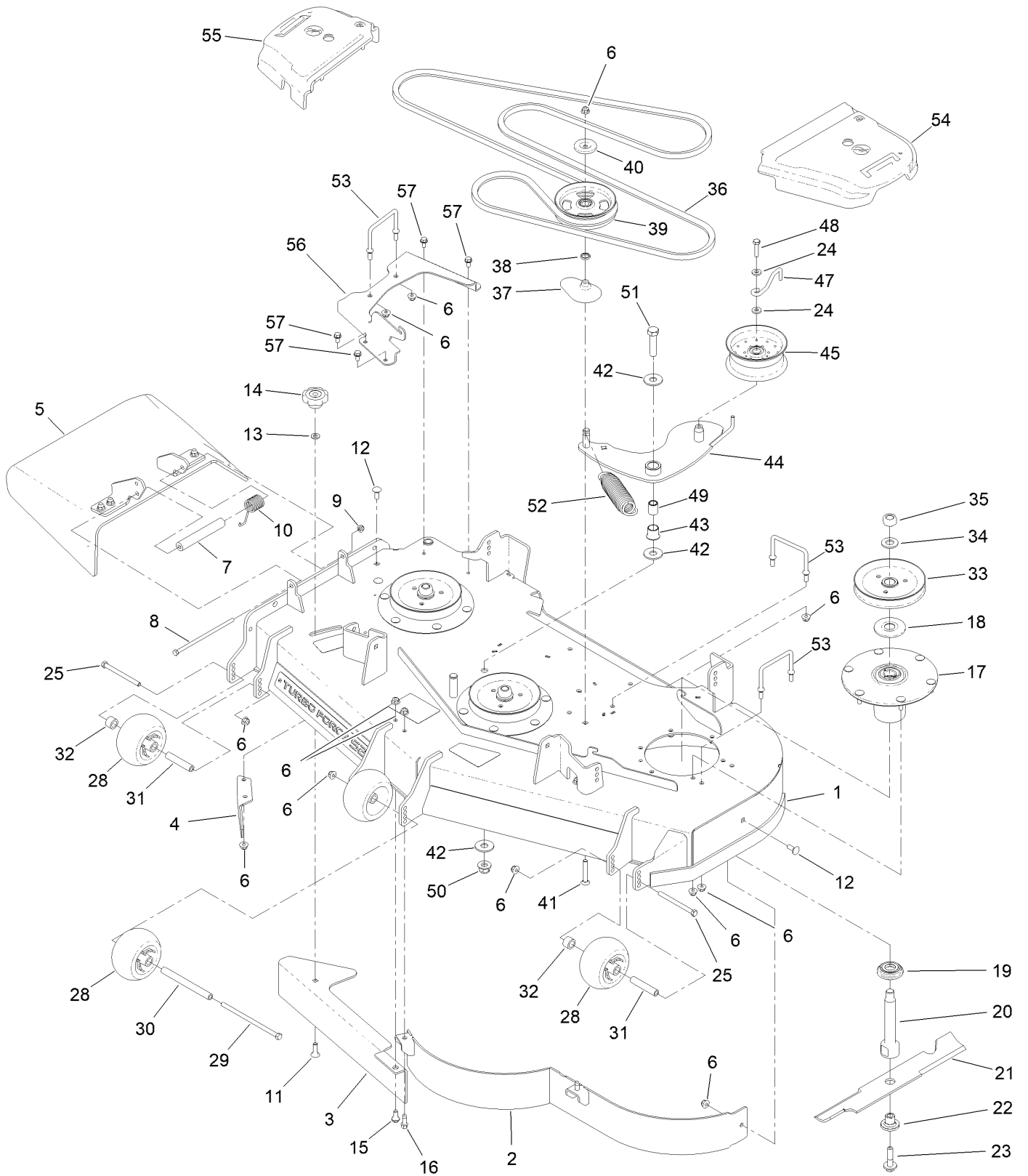
In an illustration, if a reference number indicates more than one part, the reference number has the form nX y. The n represents the quantity of the part, the X is the multiplication symbol, and the y represents the reference number.

For example, in an illustration, the reference number 2X 37 means that two of the parts identified by reference number 37 are indicated.

# Contents

52 Inch Deck Assembly .....	4
Deck and Decal Assembly No. 145-1562 .....	6
Deflector Assembly No. 144-2635 .....	8
Spindle Assembly No. 137-9780 .....	10
Ground Drive Assembly .....	12
LH Transmission Assembly No. 161-1323 .....	14
RH Transmission Assembly No. 161-9807 .....	16
Hydraulic Hose Assembly .....	18
Motion Control Assembly .....	20
Control Handle Assembly No. 132-5157 .....	22
Control Handle Assembly No. 132-5158 .....	24
Parking Brake Assembly .....	26
Deck Lift Assembly .....	28
HOC Lever Assembly No. 161-6735 .....	30
Deck Strut Assembly No. 147-4557 .....	32
Frame Assembly .....	34
Wheel and Bearing Assembly No. 140-4896 .....	36
Platform Assembly .....	38
Engine Assembly .....	40
Fuel Tank Assembly .....	42
Electrical Assembly .....	44
Attachments and Accessories .....	46

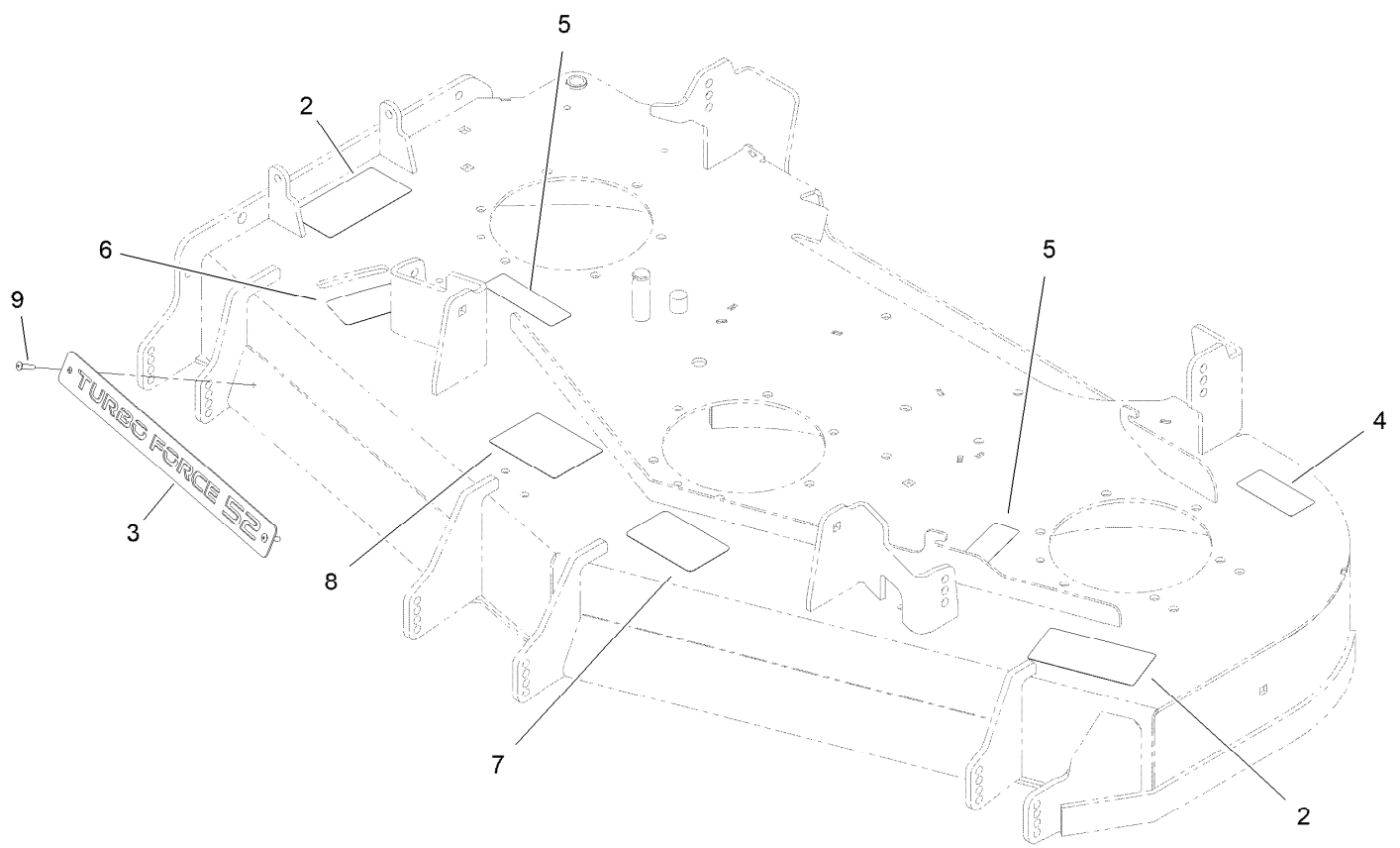
# 52 Inch Deck Assembly



## 52 Inch Deck Assembly (continued)

<i>Ref.</i>	<i>Part Number</i>	<i>Qty.</i>	<i>Description</i>	<i>Ref.</i>	<i>Part Number</i>	<i>Qty.</i>	<i>Description</i>
1	145-1562	1	52 Deck ASM W/Decals	31	133-2129	2	Tube-Shafting
2	114-1979-01	1	Baffle-52 Inch	32	133-2128	2	Tube-Spacer
3	139-8105-01	1	Plate-Baffle, Formed [red]	33	138-6061	3	Sheave-Blade, Drive
4	106-3216-01	1	Baffle-Discharge	34	103-2802	3	Washer
5	144-2635	1	Rubber Deflector ASM	35	116-7306	3	Nut-Hex
6	104-8301	34	Nut-HF, NI	36	135-4711	1	Belt, 5V
7	105-4622	1	Spacer	37	109-2872	1	Spacer-Pulley
8	322-50	1	Screw-HH	38	107-4293	1	Spacer-Plate, BBC
9	104-8300	1	Nut-HF, NI	39	136-5405	1	Pulley-Idler, Flat
10	108-4052	1	Spring-Torsion	40	132-5153	1	Shield-Dust
11	119-4162	1	Screw-CARR	41	3231-44	1	Screw-CARR
12	3231-2	3	Bolt-CARR	42	104-9216	3	Washer-Hardened
13	100-4852	1	Washer-Hardened	43	135-1248	1	Bushing, Igus
14	109-1092	1	Knob	44	161-5151-03	1	Idler Arm ASM [black]
15	94-7582	1	Bolt-Shoulder	45	116-4666	1	Idler-Pulley, Flat
16	92-1624	2	Screw-HWH Thd Form	47	147-4644	1	Wireform Belt Guide,Idler, Top
17	137-9780	3	Spindle ASM	48	323-8	1	Screw-HH
18	103-1330	3	Guard-Bearing, Top	49	147-7797	1	Bushing-Idler Pivot
19	137-9784	3	Guard-Bottom	50	133-9681	1	Nut-HF
20	138-6045	3	Shaft-Spindle	51	327-7	1	Screw-HH
21	140-1242	3	Blade-Flow, High	52	116-6317	1	Spring-Extension
22	137-9787	3	Bushing-Hex	53	109-6982	3	Wireform-Cover
23	109-9220	3	Screw-Sems	54	109-6936	1	Cover-Belt, LH
24	138-7207	2	Spacer-Hub, Blower	55	109-6935	1	Cover-Belt, RH
25	323-23	2	Screw-HH	56	147-4639-01	1	Platform-Belt Cover 52
28	1-603299	4	Roller-Scalp, Anti	57	32144-70	4	Screw-HWHTF
29	108-5388	1	Screw-HH				
30	98-5967	1	Spacer-Wheel				

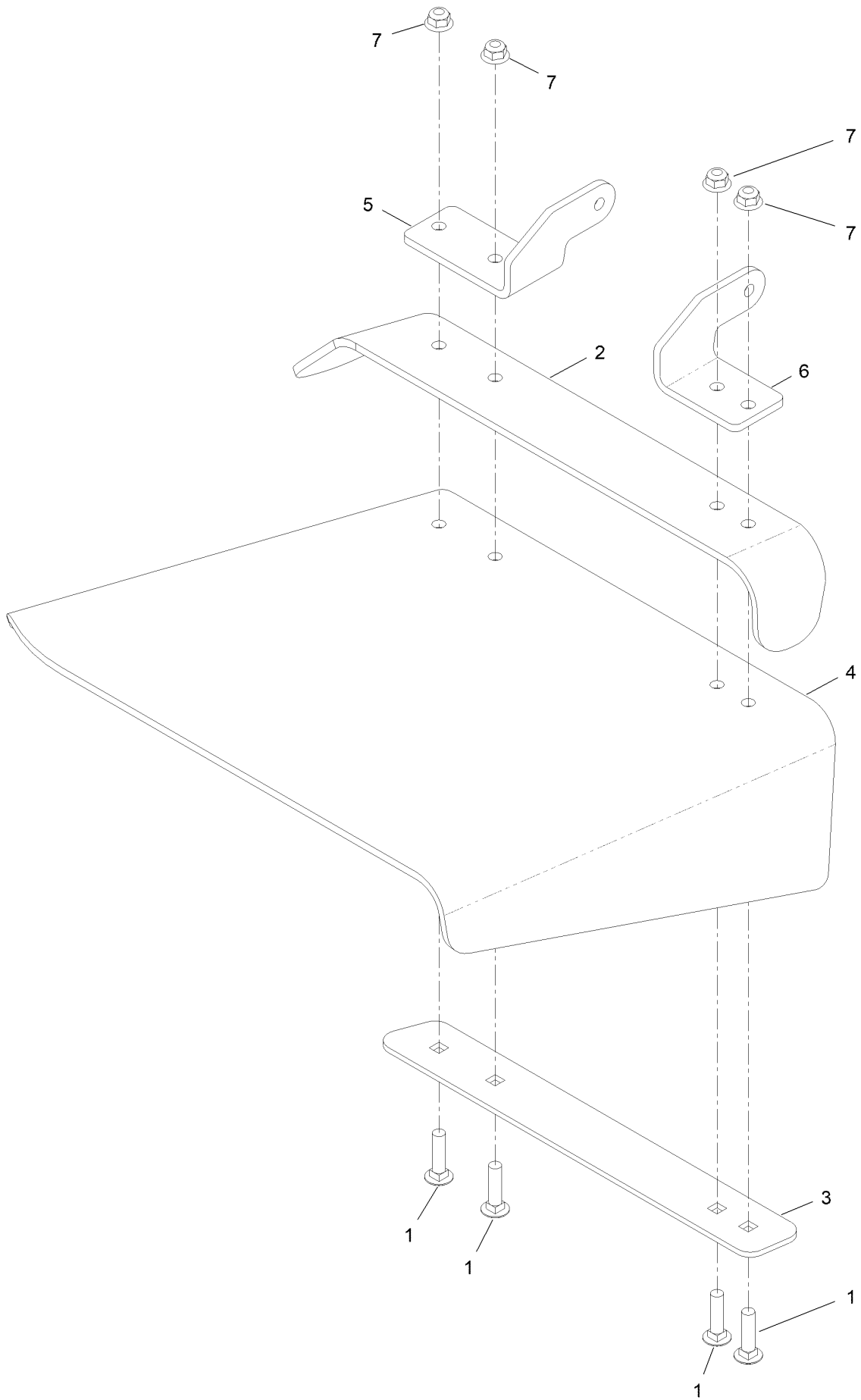
# Deck and Decal Assembly No. 145-1562



## Deck and Decal Assembly No. 145-1562 (continued)

<i>Ref.</i>	<i>Part Number</i>	<i>Qty.</i>	<i>Description</i>	<i>Ref.</i>	<i>Part Number</i>	<i>Qty.</i>	<i>Description</i>
2	133-4604	2	Decal-Danger	6	138-1147	1	Decal - Baffle Adjustment
3	147-4975-03	1	Plate-Turbo Force [black]	7	161-1343	1	Decal-Belt, Tension
4	116-8283	1	Decal-Torque, Bolt	8	127-0326	1	Decal-Scalp, Anti
5	112-9028	2	Decal-Cover, Missing	9	130-8451	2	Rivet-Trifold

# Deflector Assembly No. 144-2635





## Deflector Assembly No. 144-2635 (continued)

<i>Ref.</i>	<i>Part Number</i>	<i>Qty.</i>	<i>Description</i>	<i>Ref.</i>	<i>Part Number</i>	<i>Qty.</i>	<i>Description</i>
1	3231-5	4	Screw-CARR	5	108-4059-01	1	Plate-Hinge, Rear
2	106-3246-01	1	Deflector	6	106-3253-01	1	Plate-Hinge, Front
3	106-3248-03	1	Strap-Discharge	7	104-8301	4	Nut-HF, NI
4	161-3464	1	Deflector-Deck, Rubber				

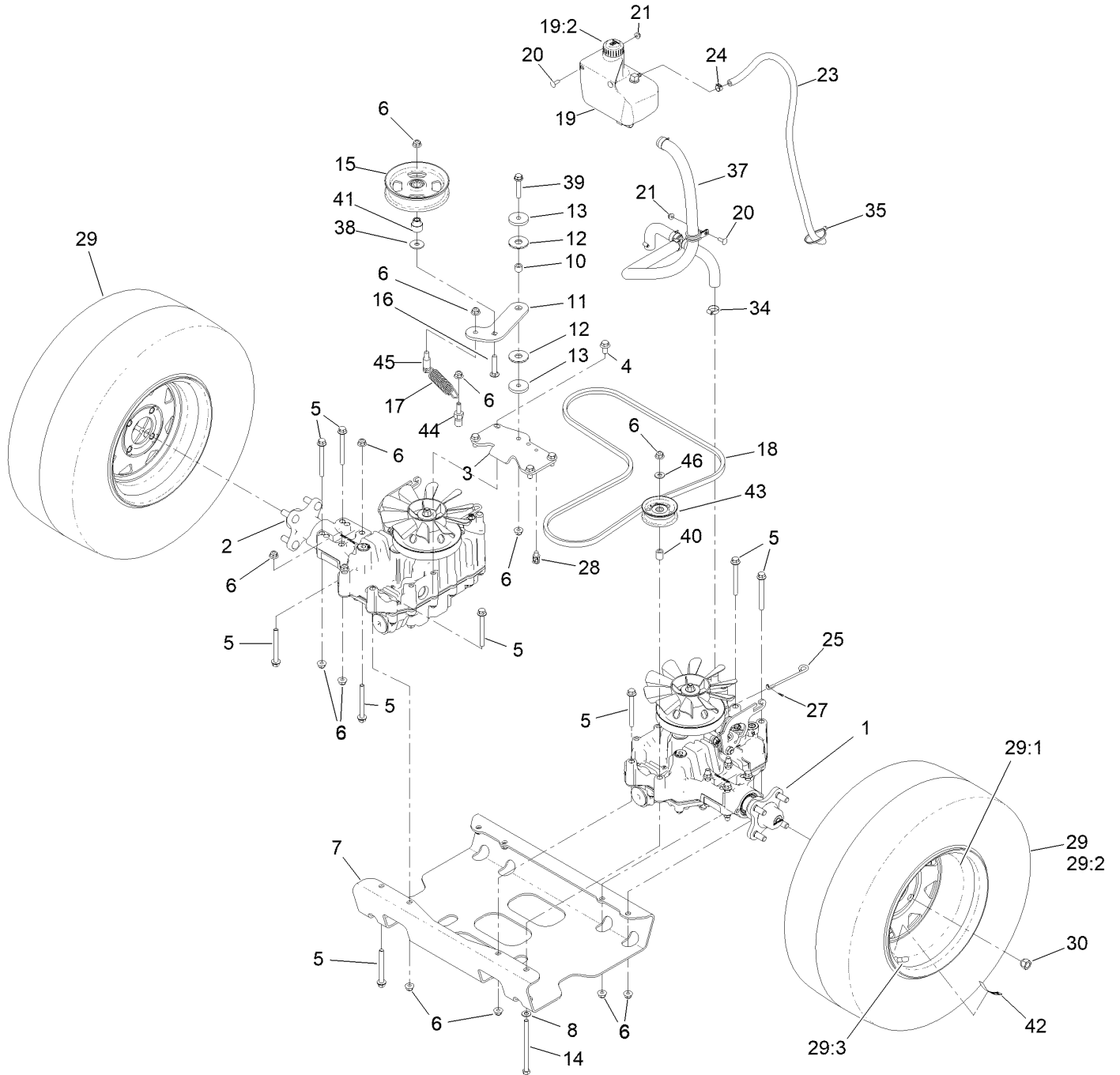
# Spindle Assembly No. 137-9780



## Spindle Assembly No. 137-9780 (continued)

<i>Ref.</i>	<i>Part Number</i>	<i>Qty.</i>	<i>Description</i>
2	116-0720	2	Bearing-Ball
3	138-6042	1	Spacer-Bearing

# Ground Drive Assembly



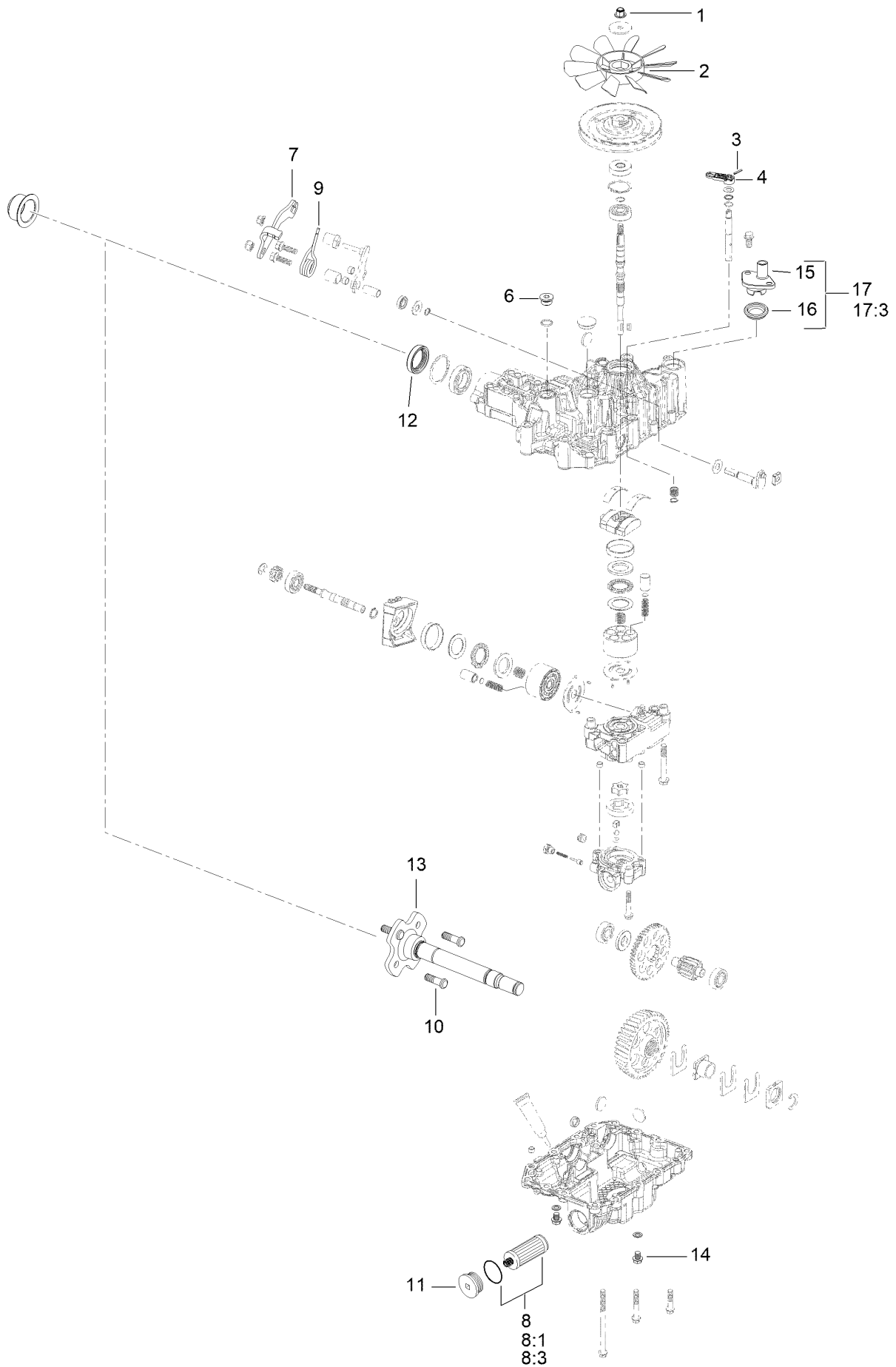
## Ground Drive Assembly (continued)

<i>Ref.</i>	<i>Part Number</i>	<i>Qty.</i>	<i>Description</i>	<i>Ref.</i>	<i>Part Number</i>	<i>Qty.</i>	<i>Description</i>
1	161-1323	1	LH Transmisson (Tzt13Sy)	24	92-2379	1	Clamp-Hose
2	161-9807	1	RH Transmisson (Tzt13Sx)	25	145-6176	2	Rod-Bypass
3	147-4756-03	1	Plate, Support, Transaxle	27	108-2992	2	Pin-Hair
4	161-1312	4	Screw-Bshs	28	161-1316	2	Clip, Fir Tree
5	116-4701	15	Screw-HHF	29	140-7958	2	Wheel And Tire ASM
6	104-8301	19	Nut-HF, NI	29:1	140-7967	1	Wheel
7	147-4636-03	1	Plate-Hydro	29:2	140-7973	1	Tire
8	3256-24	1	Washer-Plain	29:3	232-27	1	Stem-Valve
10	1-413088	1	Bushing-Lever, Lift	30	242-50	8	Nut-Lug
11	147-4757	1	Plate-Arm, Idler	34	2412-129	2	Clamp-Hose
12	114-0463	2	Washer-Friction, Composite	35	3290-378	1	Tie-Cable
13	110-9981	2	Washer-Plain	37		1	HYD Hose ASM ■
14	323-25	1	Screw-HH	38	93-8806	1	Washer-Hardened
15	136-5405	1	Pulley-Idler, Flat	39	108-3742	1	Screw-HHF
16	3231-6	1	Screw-CARR	40	115-1451	1	Spacer-Wheel
17	138-1104	1	Spring-Extension	41	138-7227	1	Bushing-Idler
18	145-5186	1	Belt-V	42	126-2055	2	Decal-Torque, Wheel Hub Lug
19	132-1135	1	Tank-HYD	43	130-8362	1	Pulley-Idler, Flat
19:2	133-8677	1	Cap-Vented	44	132-4724	1	Pin-Anchor, Spring
19:5	140-9463	1	Strainer-Neck, Removable ●	45	110-3841	1	Anchor-Spring
20	3229-25	3	Screw-CARR	46	109-6658	1	Nut-Flange, NI
21	104-7201	3	Nut-HF, NI				
23	109-0309	1	Hose-Fuel				

● Not illustrated

■ Not serviced separately

# LH Transmission Assembly No. 161-1323



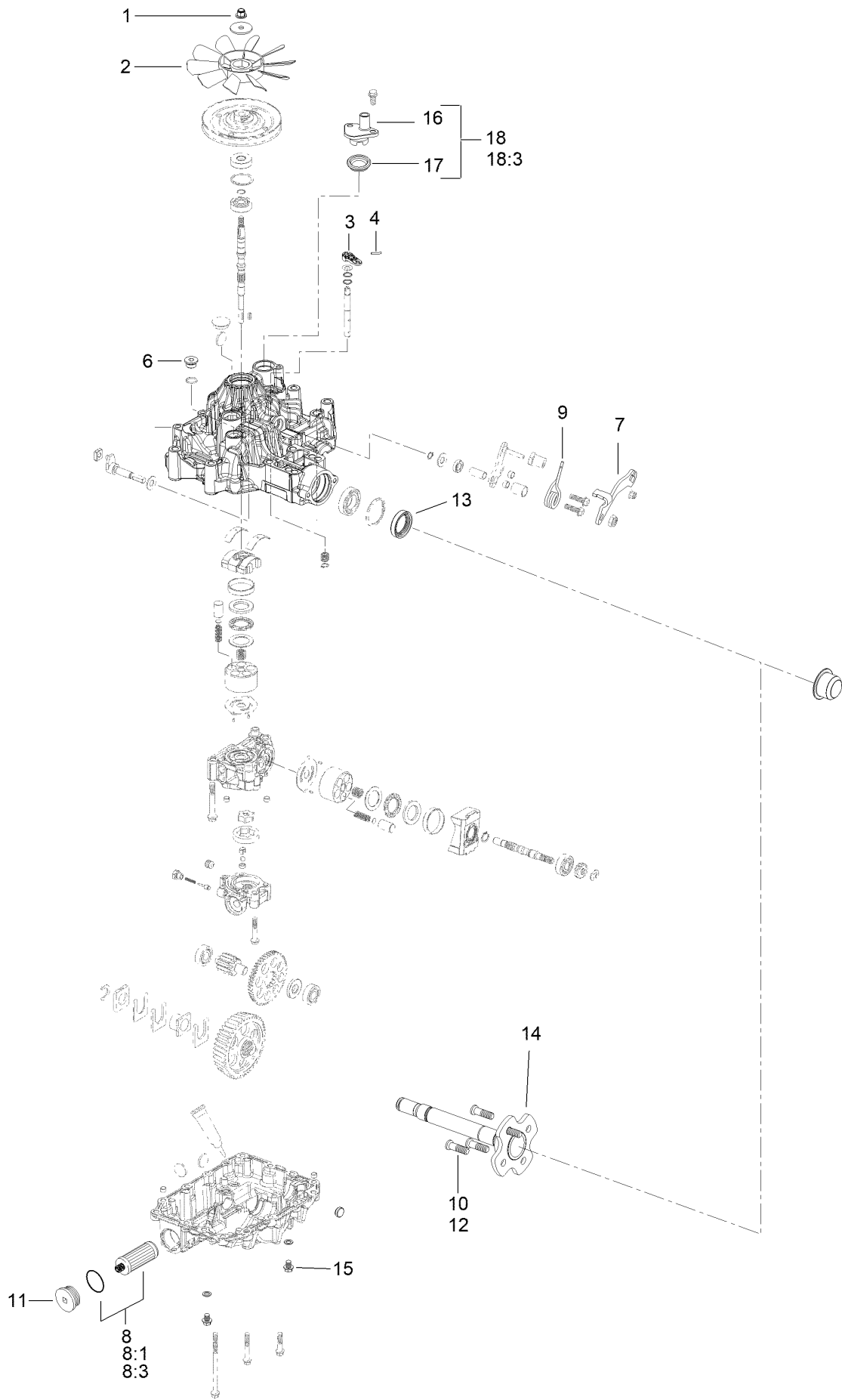
# LH Transmission Assembly No. 161-1323 (continued)

<i>Ref.</i>	<i>Part Number</i>	<i>Qty.</i>	<i>Description</i>	<i>Ref.</i>	<i>Part Number</i>	<i>Qty.</i>	<i>Description</i>
1	132-4737	1	Nut-Lock	10	137-9509	4	Stud-Wheel
2	132-4738	1	Fan	11	138-4613	1	Cap-Oil Filter
3	104-3265	1	Pin	12	139-5587	1	Seal-Axle, Ua
4	132-4700	1	Lever-Bypass	13	139-5588	1	Axle
5	161-7919	1	Brake Kit, Y ●	14	139-5589	2	Drain Bolt
6	132-4735	1	Cap-Oil	15	139-5590	1	Expansion Fitting
7	161-7914	1	Lever-Control, LH	16	139-5591	1	Grommet Seal, Expansion Fitting
8	144-3842	1	2 Transmission Filter Kit	17	139-7871	1	Expansion Fitting - W/ Seal
8:1		2	Filter (1A6370-26450) ■	17:3		1	M8*20 Flange Bolt ■
8:3		4	Sealing Washer ■	18	161-7916	1	Pulley ●
9	137-4109	1	Spring-Torsion				

● Not illustrated

■ Not serviced separately

# RH Transmission Assembly No. 161-9807





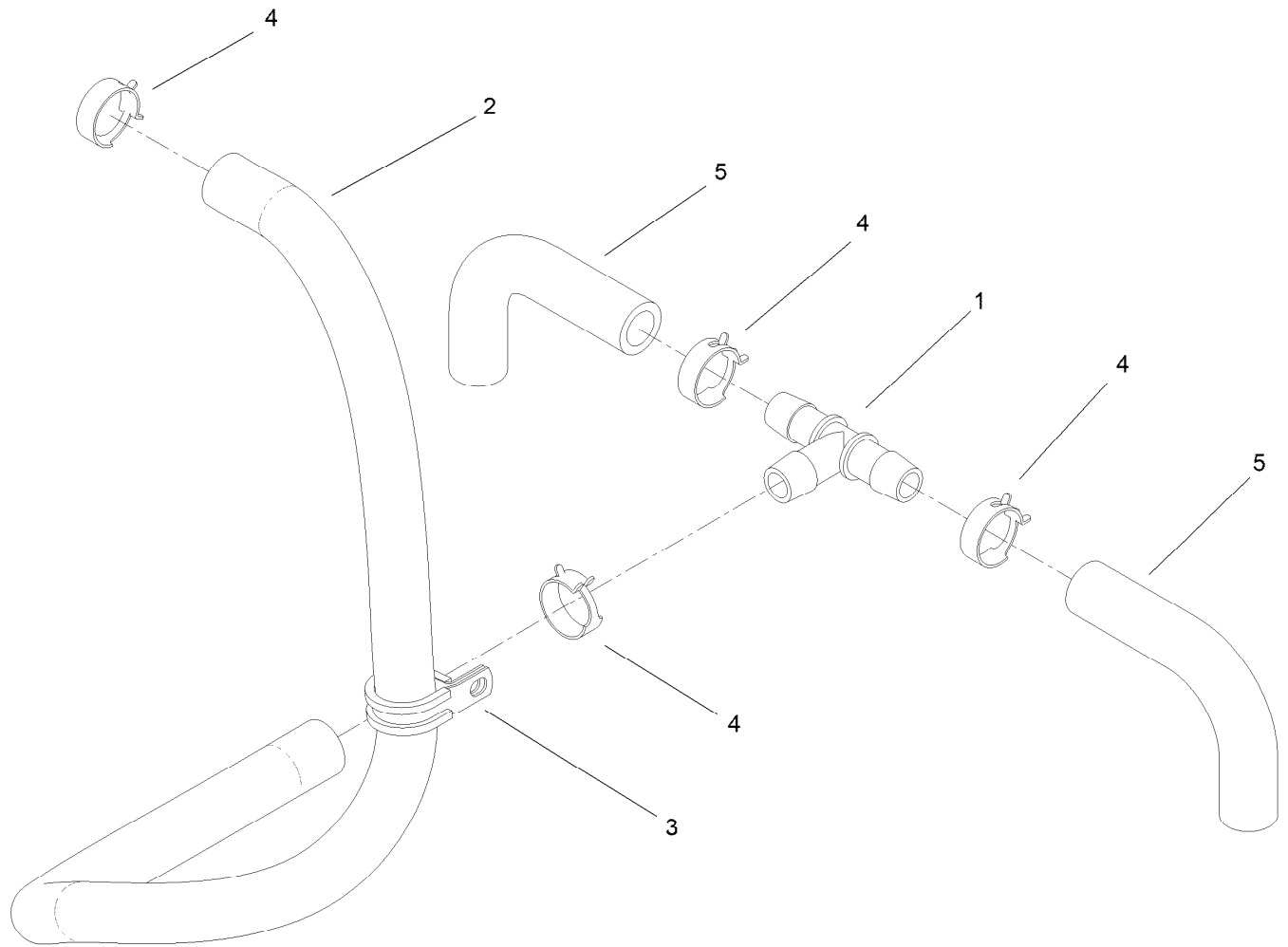
# RH Transmission Assembly No. 161-9807 (continued)

<i>Ref.</i>	<i>Part Number</i>	<i>Qty.</i>	<i>Description</i>	<i>Ref.</i>	<i>Part Number</i>	<i>Qty.</i>	<i>Description</i>
1	132-4737	1	Nut-Lock	11	138-4613	1	Cap-Oil Filter
2	132-4738	1	Fan	12	137-9509	4	Stud-Wheel
3	104-3265	1	Pin	13	139-5587	1	Seal-Axle, Ua
4	132-4700	1	Lever-Bypass	14	139-5588	1	Axle
5	161-7917	1	Brake Kit, X ●	15	139-5589	2	Drain Bolt
6	132-4735	1	Cap-Oil	16	139-5590	1	Expansion Fitting
7	161-7915	1	Lever-Control, RH	17	139-5591	1	Grommet Seal, Expansion Fitting
8	144-3842	1	2 Transmission Filter Kit	18	139-7871	1	Expansion Fitting - W/ Seal
8:1		2	Filter (1A6370-26450) ■	18:3		1	M8*20 Flange Bolt ■
8:3		4	Sealing Washer ■	19	161-7916	1	Pulley ●
9	137-4109	1	Spring-Torsion				
10	137-9509	1	Stud-Wheel				

● Not illustrated

■ Not serviced separately

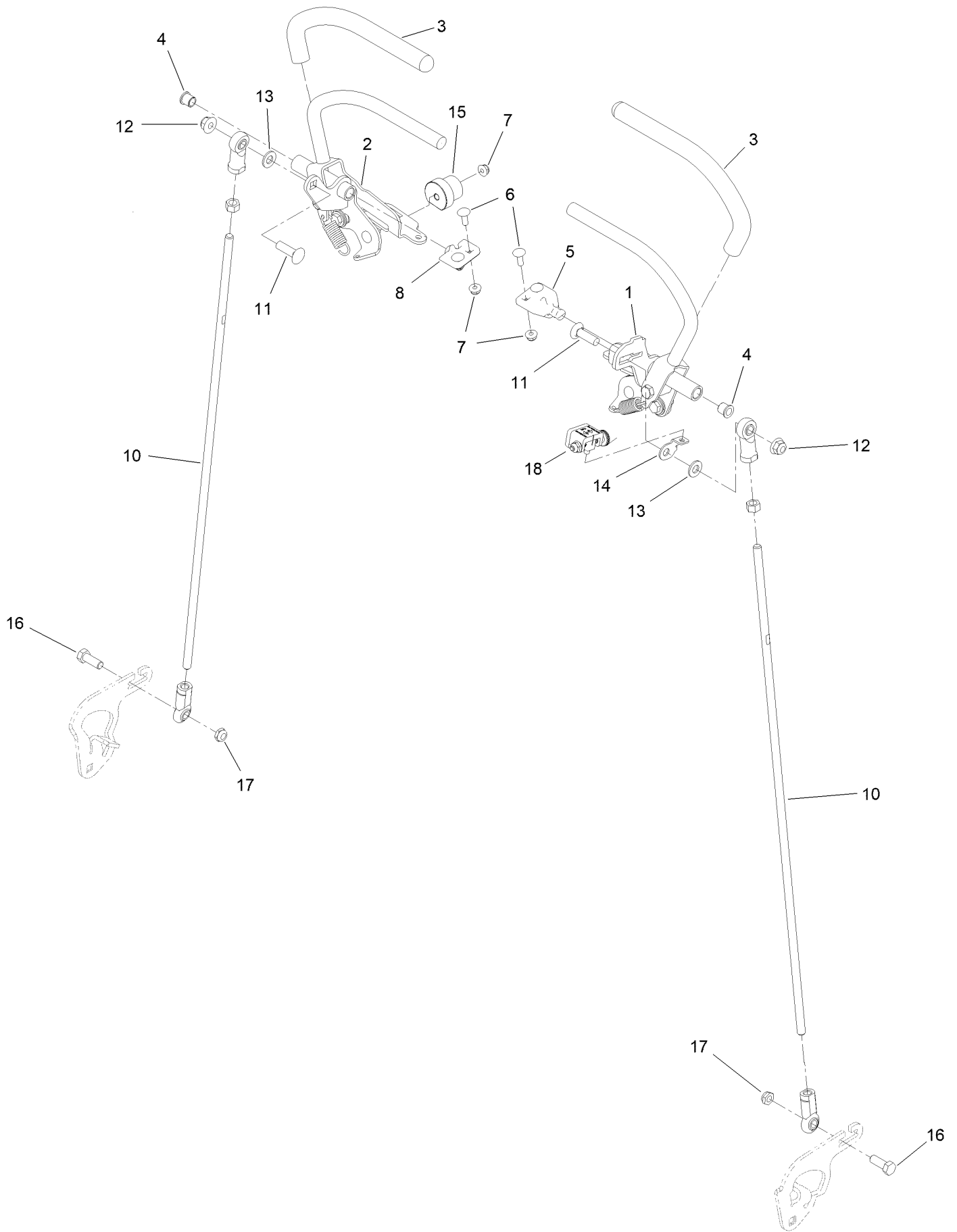
# Hydraulic Hose Assembly



## Hydraulic Hose Assembly (continued)

<i>Ref.</i>	<i>Part Number</i>	<i>Qty.</i>	<i>Description</i>	<i>Ref.</i>	<i>Part Number</i>	<i>Qty.</i>	<i>Description</i>
1	139-4055	1	Fitting Tee	4	145-3599	4	Hose Clamp
2	145-1644	1	Hydraulic Hose	5	145-6177	2	Hose-Hydraulic
3	147-0201	1	R-Clamp				

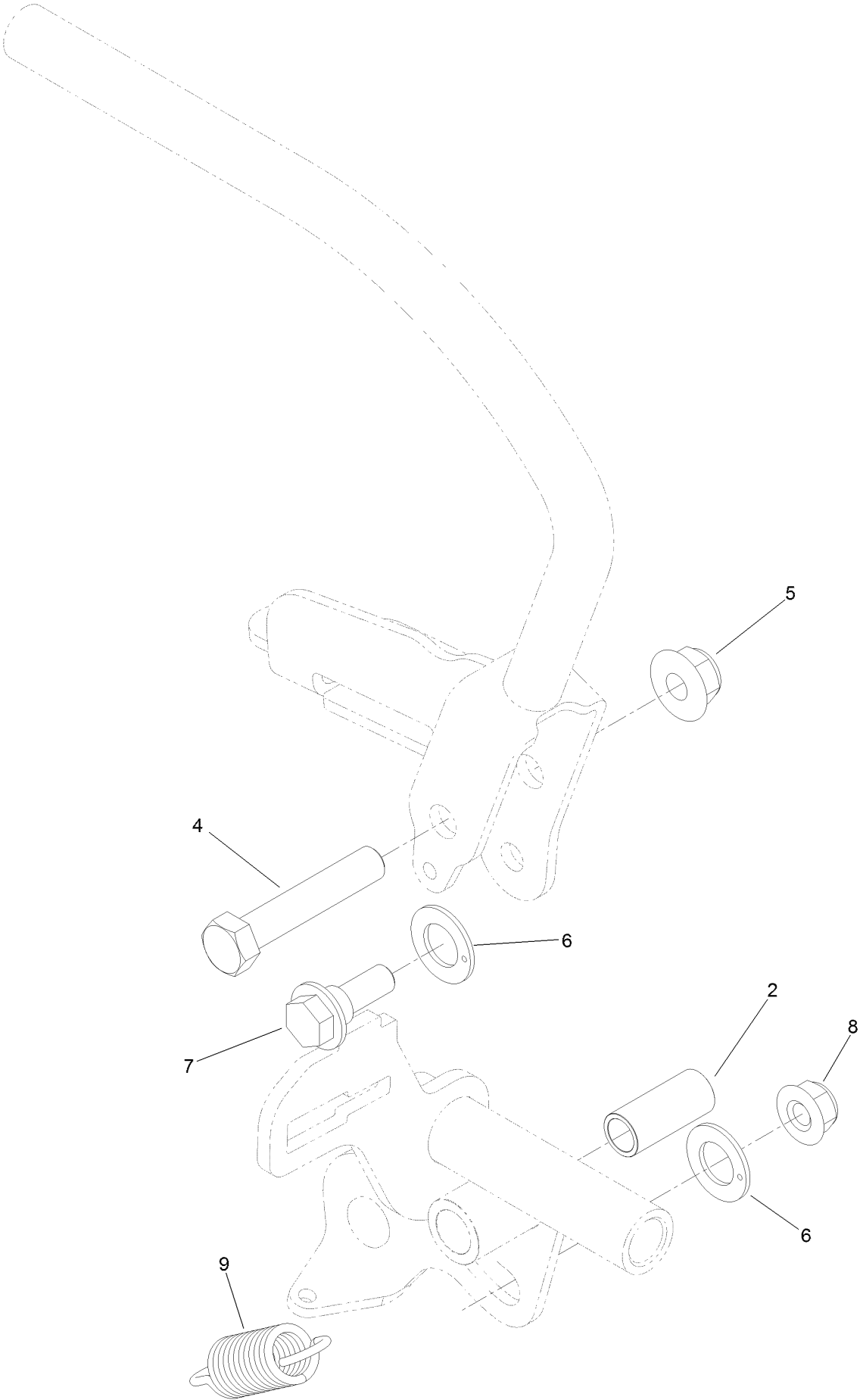
# Motion Control Assembly



## Motion Control Assembly (continued)

<i>Ref.</i>	<i>Part Number</i>	<i>Qty.</i>	<i>Description</i>	<i>Ref.</i>	<i>Part Number</i>	<i>Qty.</i>	<i>Description</i>
1	132-5157	1	LH Control Handle ASM	11	3231-28	2	Screw-CARR
2	132-5158	1	RH Control Handle ASM	12	104-8301	2	Nut-HF, NI
3	119-0222	2	Grip	13	3256-24	2	Washer-Plain
4	103-9928	2	Bearing	14	132-7538	1	Bracket-Adjustment, Speed
5	120-3288	1	Tab-Pivot, LH	15	126-1499	2	Cam
6	3229-1	4	Screw-CARR	16	323-6	2	Screw-HH
7	104-7201	6	Nut-HF, NI	17	3296-59	2	Nut-Lock, NI
8	120-3287	1	Tab-Pivot, RH	18	132-7595	1	Speed Setting Tool
10	161-2803	2	RH Control Rod ASM				

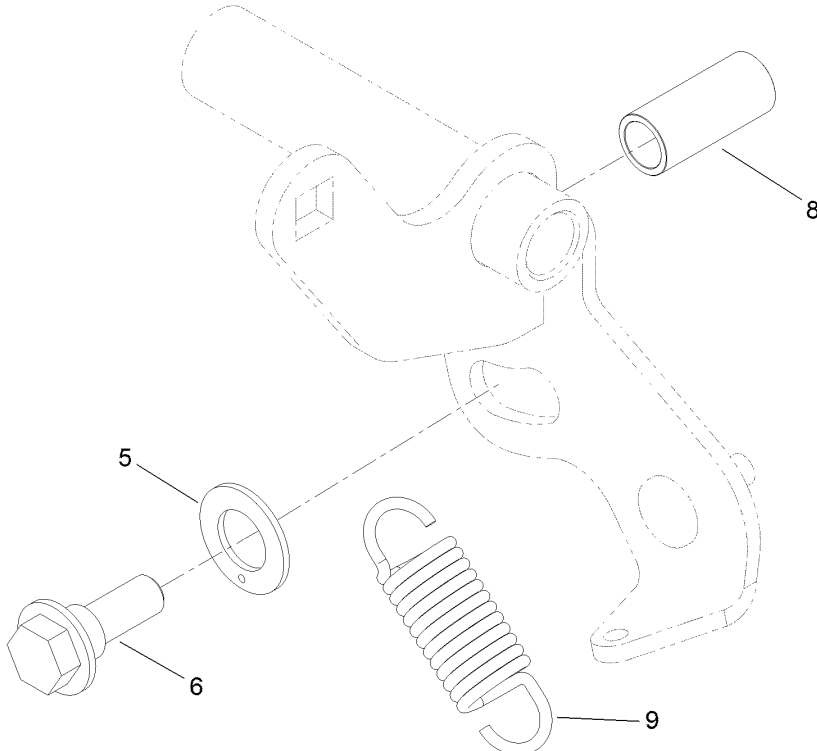
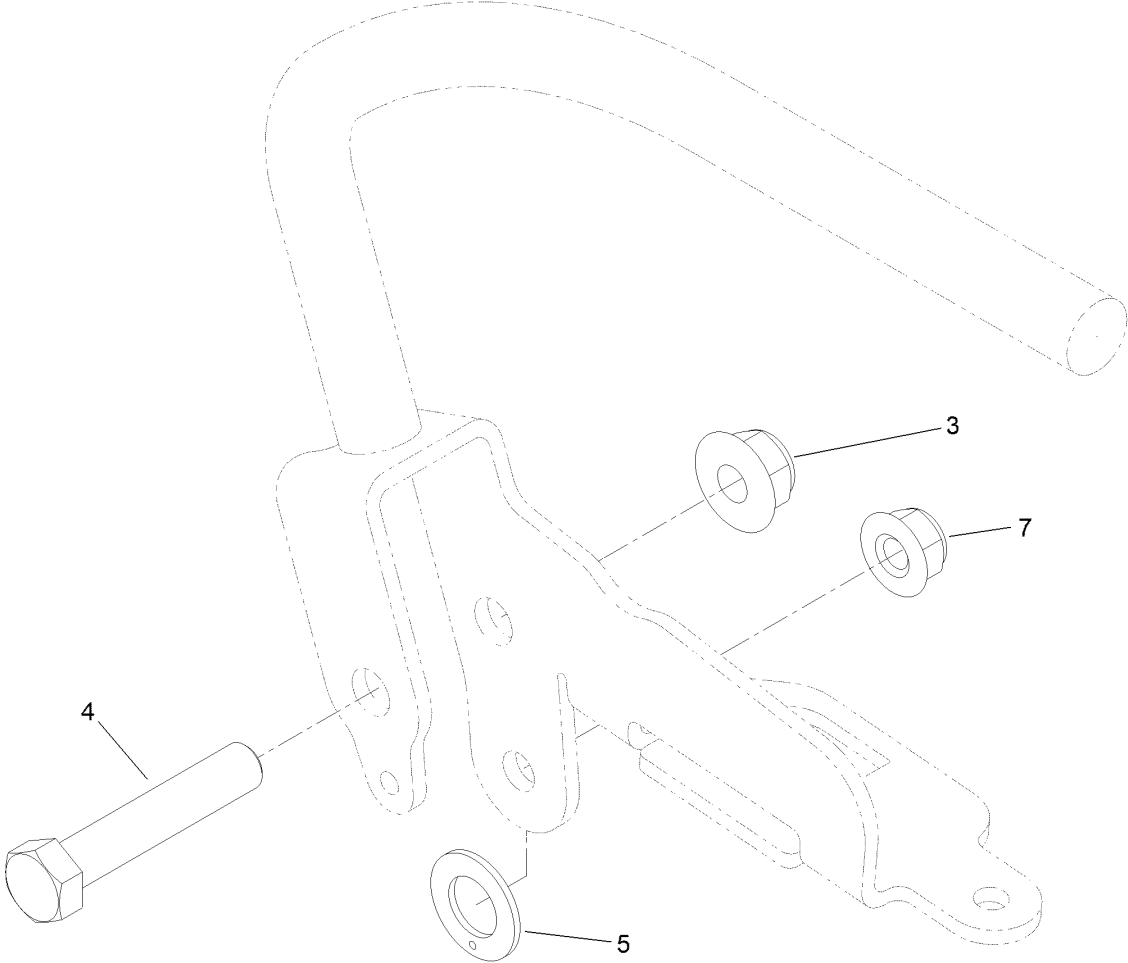
# Control Handle Assembly No. 132-5157



## Control Handle Assembly No. 132-5157 (continued)

<i>Ref.</i>	<i>Part Number</i>	<i>Qty.</i>	<i>Description</i>	<i>Ref.</i>	<i>Part Number</i>	<i>Qty.</i>	<i>Description</i>
2	131-3562	1	Bearing-Sleeve	7	116-2670	1	Screw-Shoulder
4	323-10	1	Screw-HH	8	104-8300	1	Nut-HF, NI
5	104-8301	1	Nut-HF, NI	9	132-5146	1	Spring-Extension
6	110-7191	2	Washer-Thrust				

# Control Handle Assembly No. 132-5158

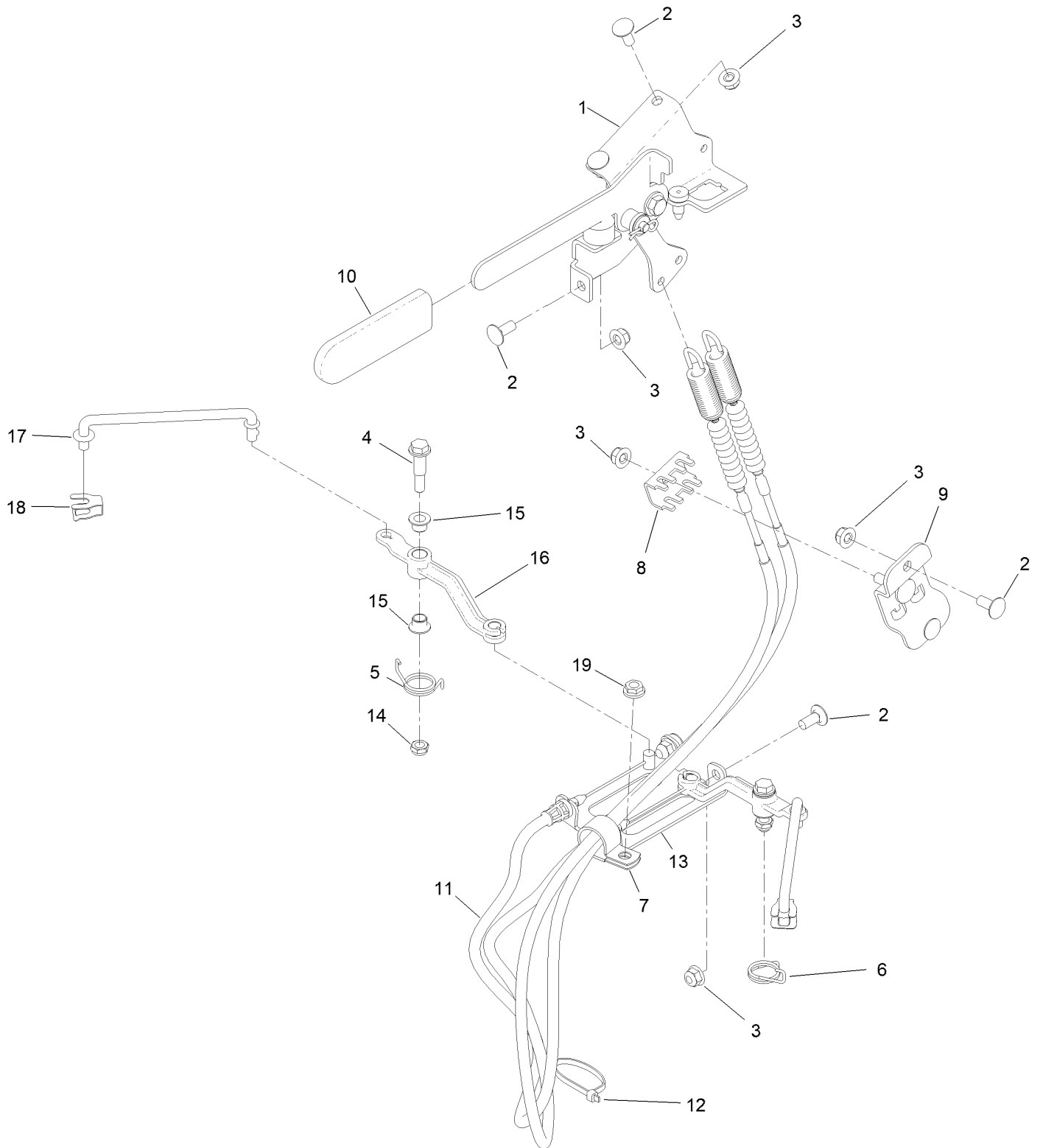




## Control Handle Assembly No. 132-5158 (continued)

<i>Ref.</i>	<i>Part Number</i>	<i>Qty.</i>	<i>Description</i>	<i>Ref.</i>	<i>Part Number</i>	<i>Qty.</i>	<i>Description</i>
3	104-8301	1	Nut-HF, NI	7	104-8300	1	Nut-HF, NI
4	323-10	1	Screw-HH	8	131-3562	1	Bearing-Sleeve
5	110-7191	2	Washer-Thrust	9	132-5146	1	Spring-Extension
6	116-2670	1	Screw-Shoulder				

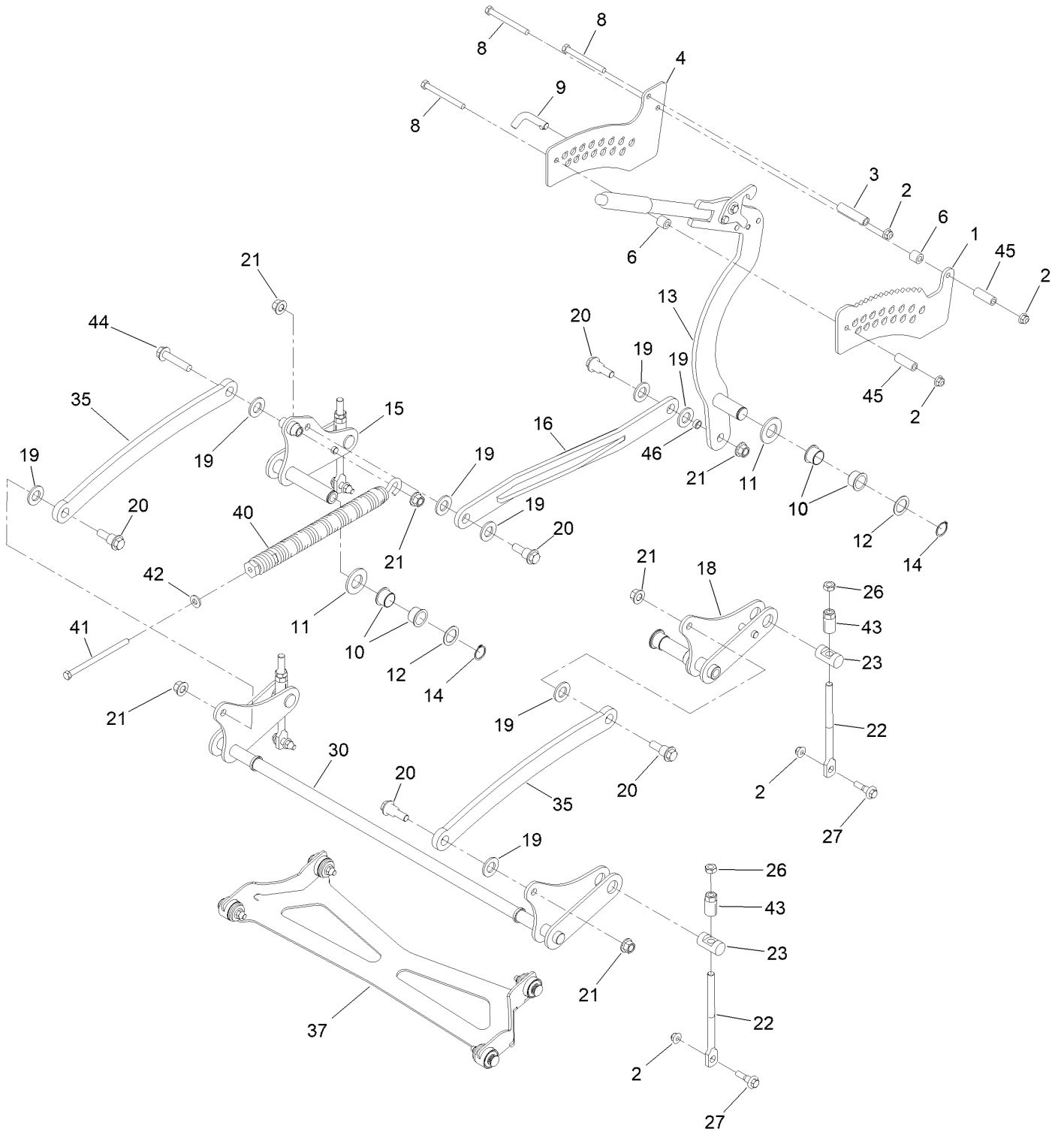
# Parking Brake Assembly



## Parking Brake Assembly (continued)

<i>Ref.</i>	<i>Part Number</i>	<i>Qty.</i>	<i>Description</i>	<i>Ref.</i>	<i>Part Number</i>	<i>Qty.</i>	<i>Description</i>
1	132-5170	1	Brake Handle ASM	11	145-1643	2	Cable-Brake
2	3230-23	7	Bolt-CARR	12	3290-378	1	Tie-Cable
3	104-8300	8	Nut-HF, NI	13	147-3494	1	Bracket-Cable, Mount
4	116-8607	2	Screw-Shoulder	14	3296-47	2	Nut-Lock,NI
5	139-1508	1	Spring-Torsion	15	137-2374	4	Bushing-Flange
6	139-1538	1	Spring-Torsion	16	147-4801	2	Arm-Brake
7	2412-39	1	Clamp-R	17	147-3484	2	Rod-Brake
8	132-1187	1	Clamp-Cable	18	147-4783	2	Retainer-Rod
9	132-7582	1	Mount-Cable, Brake	19	32128-20	1	Nut-HF
10	1-633268	1	Grip-Lever				

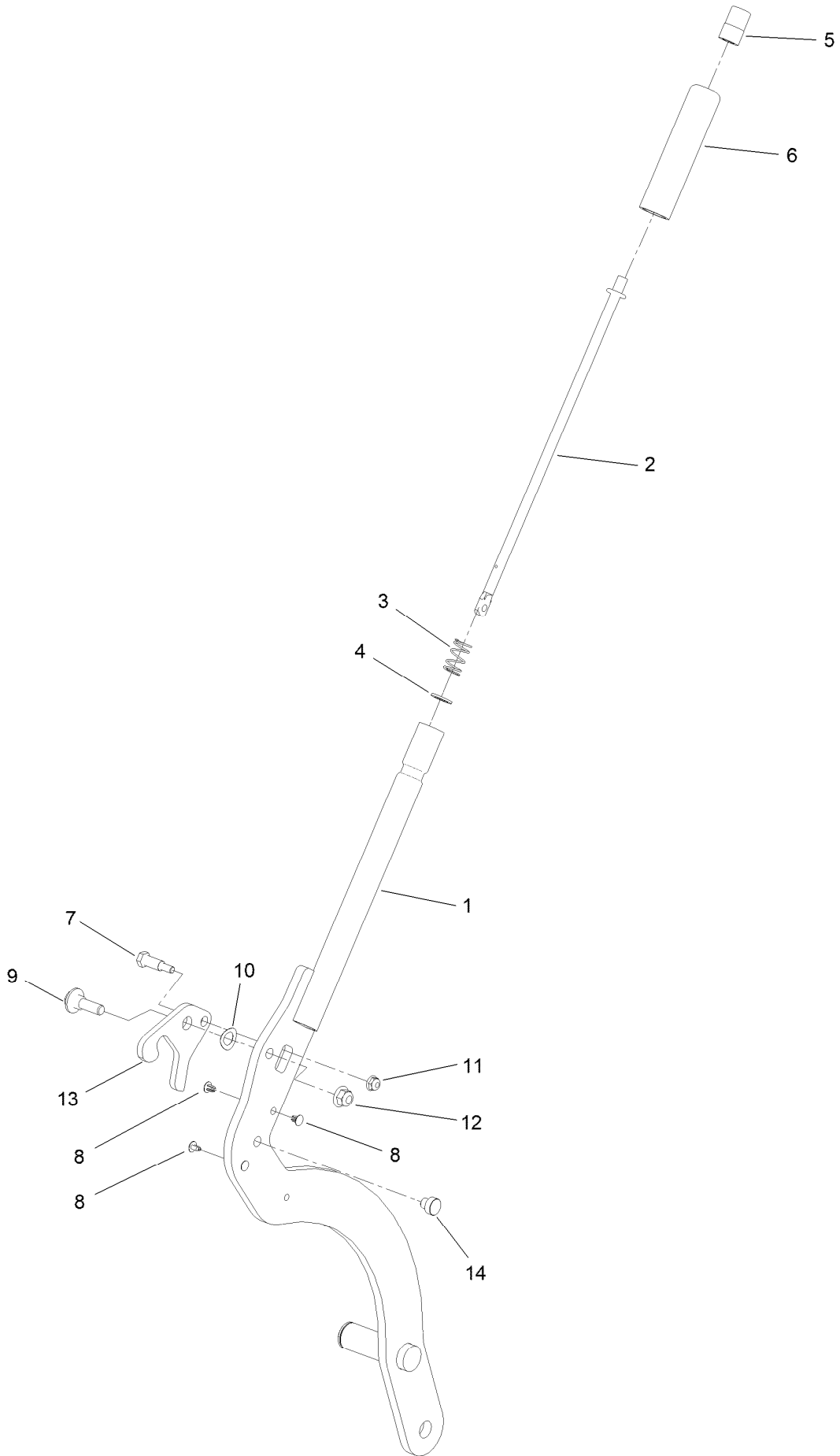
# Deck Lift Assembly



## Deck Lift Assembly (continued)

<i>Ref.</i>	<i>Part Number</i>	<i>Qty.</i>	<i>Description</i>	<i>Ref.</i>	<i>Part Number</i>	<i>Qty.</i>	<i>Description</i>
1	138-4887	1	Plate-HOC, Inner	20	116-0780	5	Screw-Shoulder, HHF
2	104-8301	7	Nut-HF, NI	21	99-5107	6	Nut-Lock
3	138-1111	1	Spacer	22	147-4822	4	Link-Adjuster, Deck Lift
4	132-7581	1	HOC Plate And Decal ASM	23	109-8353	4	Trunnion
6	121-1760	2	Spacer	26	3218-5	4	Nut-Jam
8	116-4701	3	Screw-HHF	27	130-0742	4	Bolt-Shoulder
9	116-5584	1	Pin-HOC	30	147-2437-03	1	Front Cross Shaft ASM [black]
10	127-0369	6	Bushing	35	127-1948-03	2	Link-Lift
11	3256-62	3	Washer-Flat	37	147-4557	1	ASM-Deck Strut W/Bushings
12	10-8110	3	Washer-Thrust	40	116-0886	1	Spring-Extension
13	161-6735	1	HOC Lever ASM	41	323-58	1	Bolt-TAP, HH
14	32151-29	3	Ring-Retaining	42	98-5975	1	Washer-Belleville
15	147-2441-03	1	RH Rear Lift Arm ASM [black]	43	109-7840	4	Adjuster-Lift, Deck
16	147-4810-03	1	HOC Link ASM [black]	44	127-7444	1	Screw-HHF
18	147-2446-03	1	LH Rear Lift Arm ASM [black]	45	95-6448	2	Spacer
19	3256-28	8	Washer-Flat	46	138-2235	1	Spacer

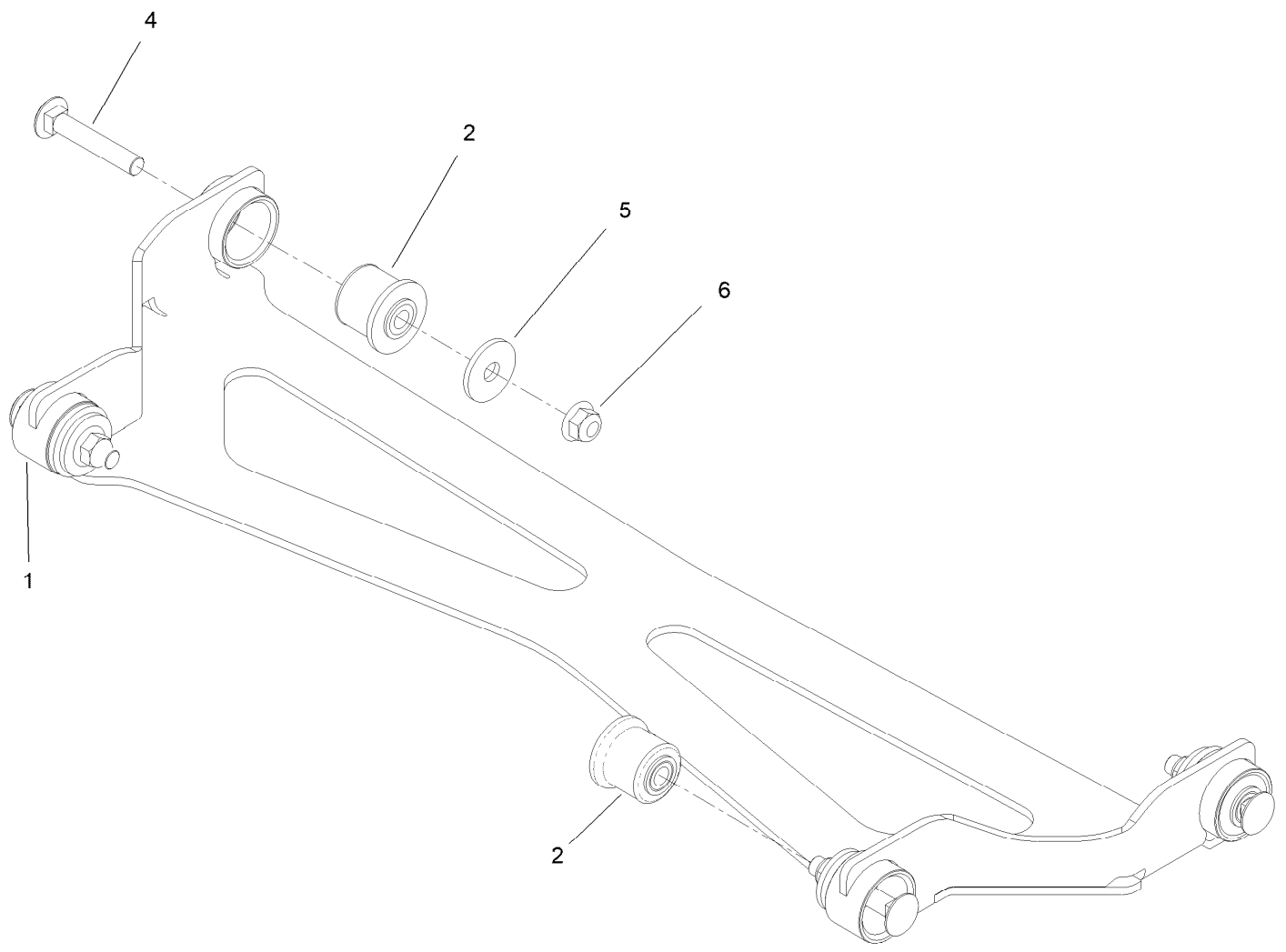
# HOC Lever Assembly No. 161-6735



## HOC Lever Assembly No. 161-6735 (continued)

<i>Ref.</i>	<i>Part Number</i>	<i>Qty.</i>	<i>Description</i>	<i>Ref.</i>	<i>Part Number</i>	<i>Qty.</i>	<i>Description</i>
1	161-6736-01	1	Lift Lever ASM [red]	8	103-1363	4	Rivet
2	136-0530	1	Rod-Latch, Release	9	614672	1	Screw-Shoulder, HWH
3	114-8187	1	Spring-Compression	10	110-8982	1	Washer-Spring
4	114-1207	1	Washer-Special	11	104-7201	1	Nut-HF, NI
5	115-2750	1	Knob	12	104-8301	1	Nut-HF, NI
6	115-3592	1	Grip	13	138-4888	1	Latch-HOC
7	119-2309	1	Bolt-Shldr,HH	14	138-4863	1	Plug-Wear

# Deck Strut Assembly No. 147-4557

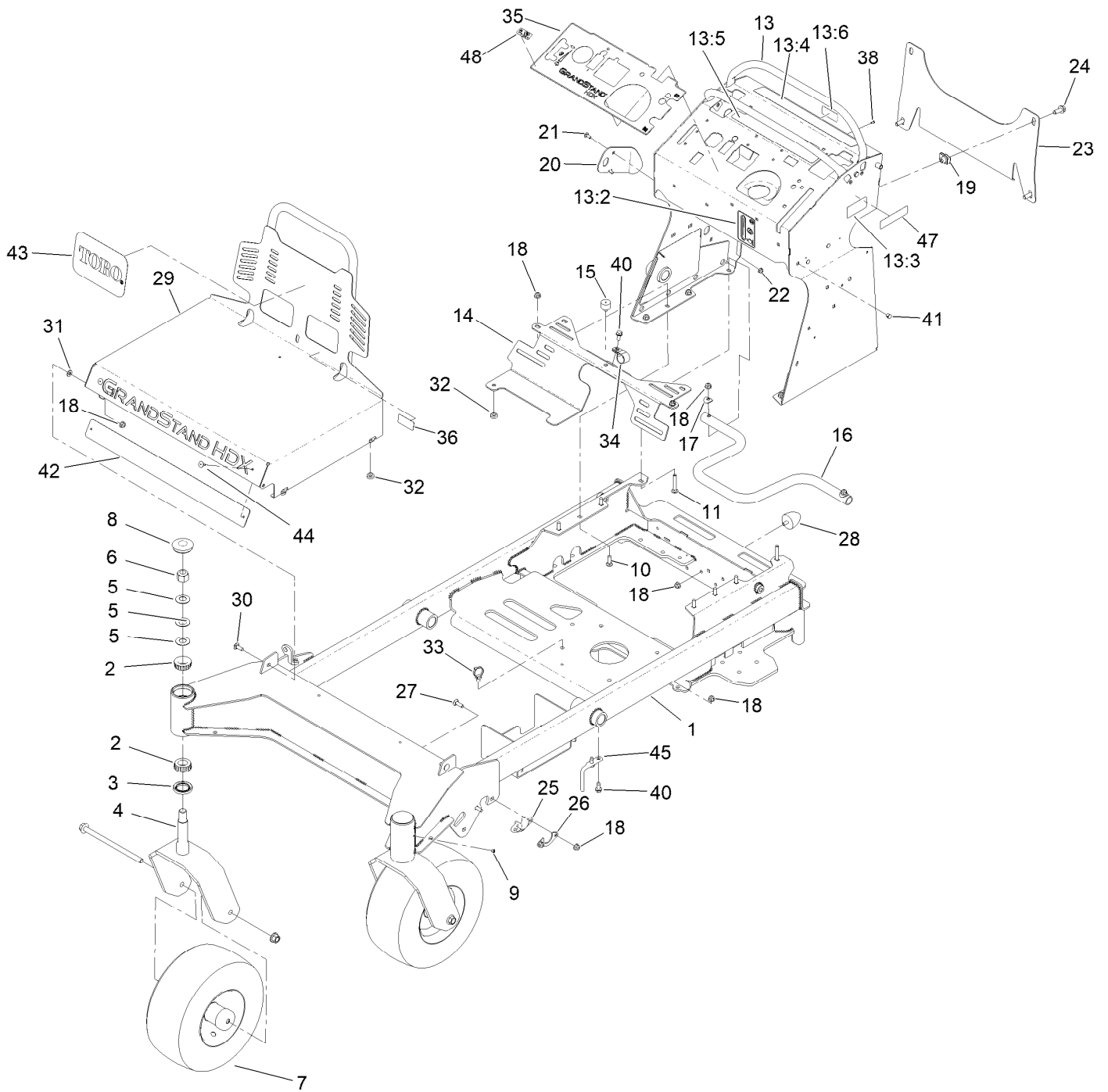




## Deck Strut Assembly No. 147-4557 (continued)

<i>Ref.</i>	<i>Part Number</i>	<i>Qty.</i>	<i>Description</i>	<i>Ref.</i>	<i>Part Number</i>	<i>Qty.</i>	<i>Description</i>
1	147-4558-03	1	ASM-Deck Strut [black]	5	2844	4	Washer
2	147-7351	4	Spacer, Bushing ASM	6	104-8301	4	Nut-HF, NI
4	3231-7	4	Screw-CARR				

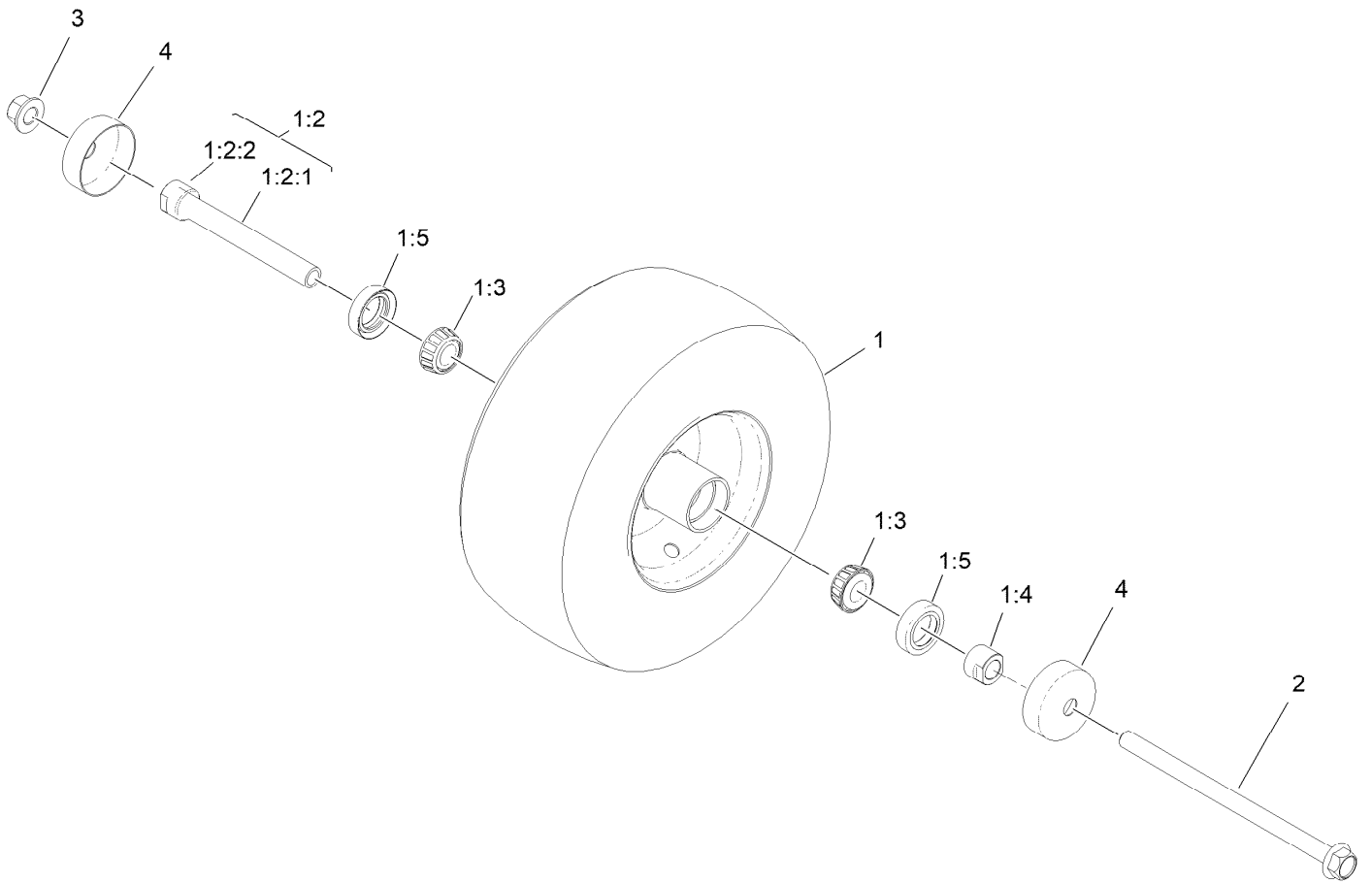
# Frame Assembly



## Frame Assembly (continued)

<i>Ref.</i>	<i>Part Number</i>	<i>Qty.</i>	<i>Description</i>	<i>Ref.</i>	<i>Part Number</i>	<i>Qty.</i>	<i>Description</i>
1	147-4594-01	1	Frame-52 [red]	22	104-7201	1	Nut-HF, NI
2	1-543509	4	Bearing-Roller, Tapered	23	147-4771-03	1	Bracket-Cross
3	116-5647	2	Seal-Grease	24	3234-42	4	Screw-HHF
4	142-9968-01	2	Caster-Fork [red]	25	139-5872	2	Bearing-Flange
5	1-633508	6	Washer-Bellville	26	116-2887	2	Gusset-Lift, Deck
6	3296-51	2	Nut-Lock, NI	27	3230-22	4	Screw-CARR
7	140-4896	2	Semi Pneumatic ASM 13X6.50-6	28	1-543963	3	Bumper-Rubber
8	144-0375	2	Cap, Grease	29	161-7909	1	ASM-Engine Guard
9	1-811010	2	Plug	30	3230-10	2	Bolt-CARR
10	3230-2	6	Bolt-CARR	31	93-6079	2	Spacer-Nylon
11	3230-6	2	Bolt-CARR	32	1-513658	6	Bumper
13	145-5163	1	Tower Decal ASM	33	32180-030	1	Clip-Tie
13:2	147-7921	1	Decal-Oil Level	34	2412-39	1	Clamp-R
13:3	116-8775	1	Decal-Fill, Fuel	35	147-4764	1	Decal-Panel Control, Kawasaki
13:4	139-2878	1	Decal-Warning	36	133-4641	1	Decal-Warning, No Riders
13:5	131-3526	1	Decal-Controls	38	3290-271	2	Rivet-Pop
13:6	147-0212	1	Decal - Fuse	40	32144-70	3	Screw-HWHTF
14	161-1339-01	1	Guard-Fan	41	145-3595	4	Dome Panel Plug
15	120-7893	1	Bumper-Grommet	42	147-4805-01	1	Plate-Backing
16	145-1586-01	1	Tube-Fuel Tank Mount	43	104-7213	1	Decal
17	107-3844	2	Washer	44	3269-20	2	Rivet-Pop
18	104-8300	19	Nut-HF, NI	45	147-4825	1	Guide-Belt
19	105-4886	4	Nut-Tinnerman	47	142-5864	1	Decal-Spark Arrester
20	147-4952	1	Plate-Striker	48	132-0905	1	Decal-Shutdown, CE
21	3229-11	1	Screw-CARR				

# Wheel and Bearing Assembly No. 140-4896



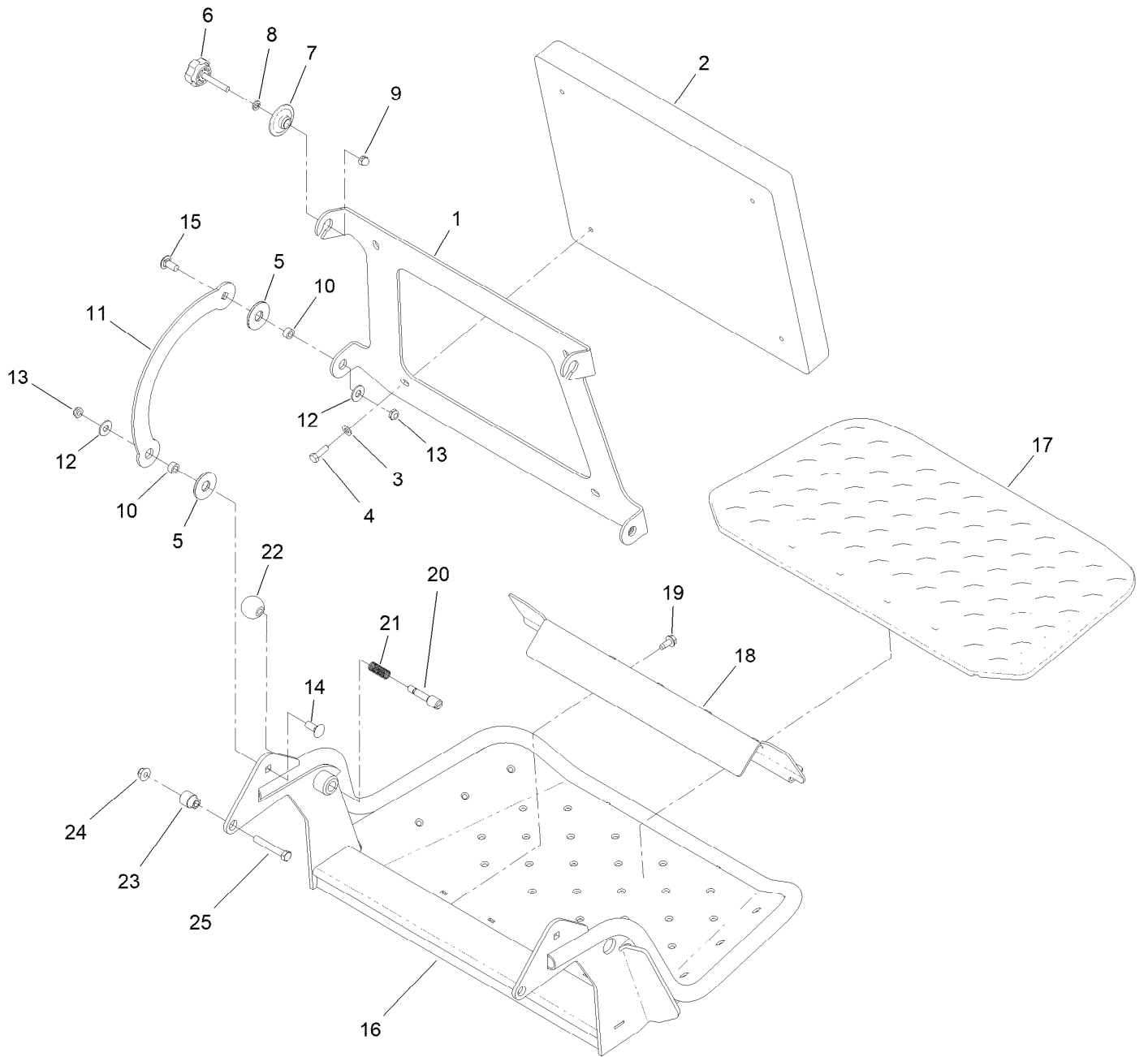
# Wheel and Bearing Assembly No. 140-4896 (continued)

<i>Ref.</i>	<i>Part Number</i>	<i>Qty.</i>	<i>Description</i>
1		1	Wheel And Bearings ASM ●
1:2	126-7796	1	Caster Axle ASM
1:2:1	126-5220	1	Axle-Caster
1:2:2	103-3051	1	Spacer-Nut
1:3	1-633585	2	Bearing-Cone, Taper

<i>Ref.</i>	<i>Part Number</i>	<i>Qty.</i>	<i>Description</i>
1:4	103-3051	1	Spacer-Nut
1:5	103-0063	2	Seal-Caster
2	126-5389	1	Screw-HHF
3	99-5107	1	Nut-Lock
4	103-2768	2	Guard-Seal

● Not serviced separately

# Platform Assembly



## Platform Assembly (continued)

<i>Ref.</i>	<i>Part Number</i>	<i>Qty.</i>	<i>Description</i>	<i>Ref.</i>	<i>Part Number</i>	<i>Qty.</i>	<i>Description</i>
1	120-8499-03	1	Hinge-Pad	14	3231-2	2	Bolt-CARR
2	147-4839	1	Cushion-Pad	15	3231-27	2	Screw-CARR
3	3256-23	4	Washer-Plain	16	147-4809-01	1	Platform ASM [red]
4	121-7999	4	Screw-HH	17	126-7157	1	Mat-Platform
5	114-0463	4	Washer-Friction, Composite	18	161-6798	1	Shield Clamp Kit
6	133-1426	2	Knob	19	32144-70	2	Screw-HWHTF
7	116-2886	2	Slide-Bushing	20	119-8650	1	Pin-Latch
8	3253-4	2	Washer-Lock	21	114-5348	1	Spring
9	137-4808	2	Nut-Acorn	22	1-603175	1	Knob-Ball
10	111044	4	Spacer	23	132-7583	2	Bushing-Flanged
11	114-1915-01	2	Link-Pad	24	104-8301	2	Nut-HF, NI
12	3256-4	4	Washer-Flat	25	323-47	2	Screw-HH
13	3296-59	4	Nut-Lock, NI				





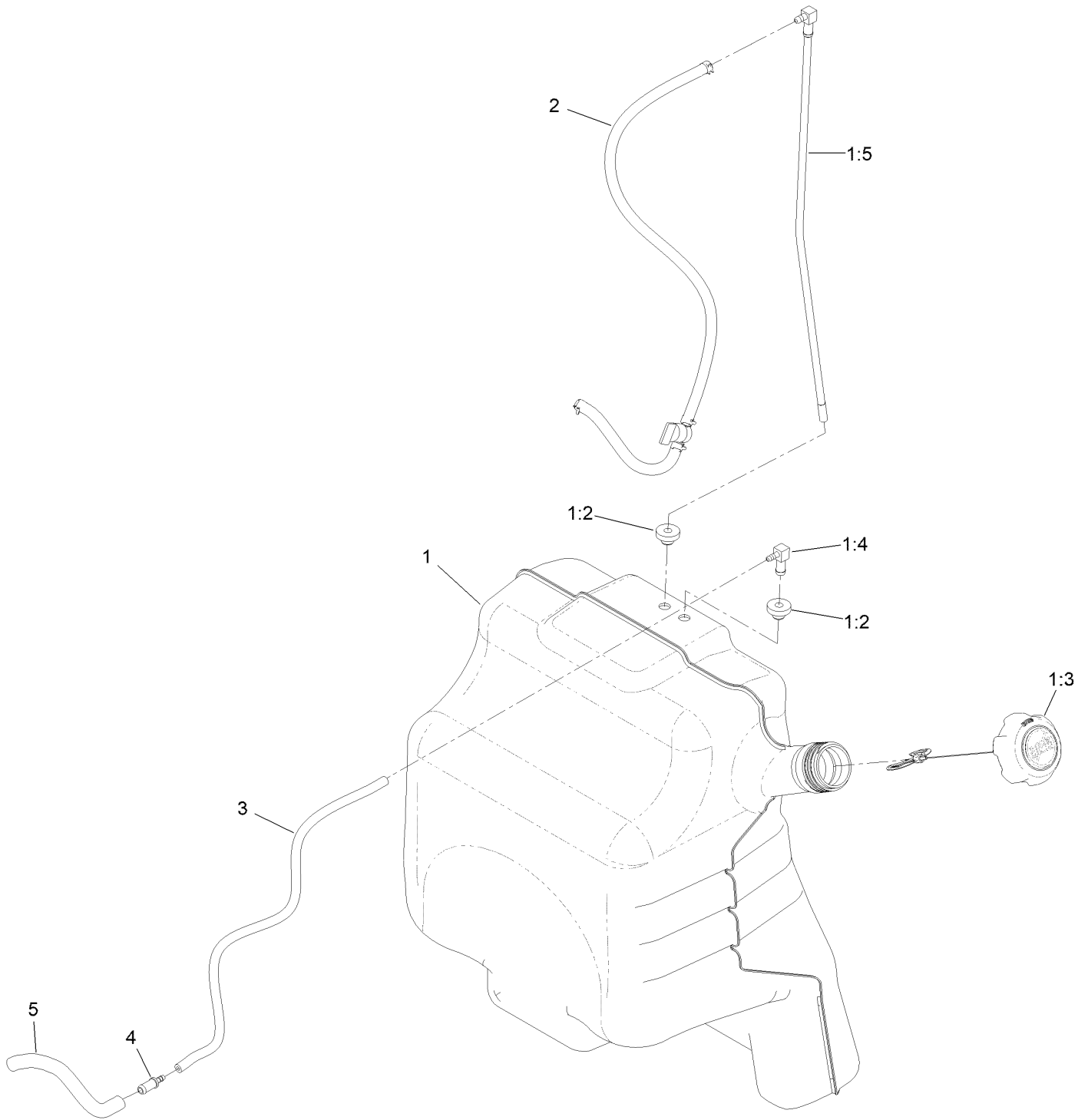
## Engine Assembly (continued)

<i>Ref.</i>	<i>Part Number</i>	<i>Qty.</i>	<i>Description</i>	<i>Ref.</i>	<i>Part Number</i>	<i>Qty.</i>	<i>Description</i>
1		1	Engine Kawasaki Fx921V ■	13	147-4556	1	Bracket-Muffler
			▲	14	147-4831	1	Muffler Guard ASM
1:1	KW10761	1	Filter-Oil Kaw ●	15	161-1305-03	1	Shield-Heat
1:2	119-5944	1	Element-Filter, Air (Outer) ●	18	1-807533	2	Bolt-CARR
1:3	119-5945	1	Element-Filter, Air (Inner) ●	19	32128-17	2	Nut-Lock, Flange
1:4	142-6949	1	Filter-Fuel ●	20	1-603175	1	Knob-Ball
1:5	KW10676	2	Spark Plug ●	21	133-4659	1	Hose ASM
2	145-6192	1	Muffler, Kawi Fx921	21:2	353-508	1	Plug-HH
3	145-1598	1	Throttle ASM	21:2:1	237-42	1	O-Ring
3:1	145-6187	1	Lever-Control	22	1-303334	4	Washer-Spring
3:2	145-5189	1	Cable-Throttle	23	33114-020	4	Screw-HH
4	145-5188	1	Cable-Choke	24	3290-378	2	Tie-Cable
5	145-6115	1	Pulley	25	3234-17	4	Screw-HHF
6	139-7910	1	Clutch-200Cms	26	32128-20	4	Nut-HF
7	147-0345-03	1	Bracket, Clutch Stop	27	1-807259	1	Key
8	32144-70	2	Screw-HWHTF	28	107-4136	1	Washer-Flat
9	1-603610	1	Washer-Spring	30	147-4838	1	Spacer, D-Drive
10	3212-10	1	Screw-HH	32	324-2	2	Screw-HH
11	98-5975	4	Washer-Belleville	33	32128-37	2	Nut-HF
12	126-0983	4	Screw-BHTF				

● Not illustrated  
▲ Obtain parts from [www.kawpower.com](http://www.kawpower.com)

■ Not serviced separately

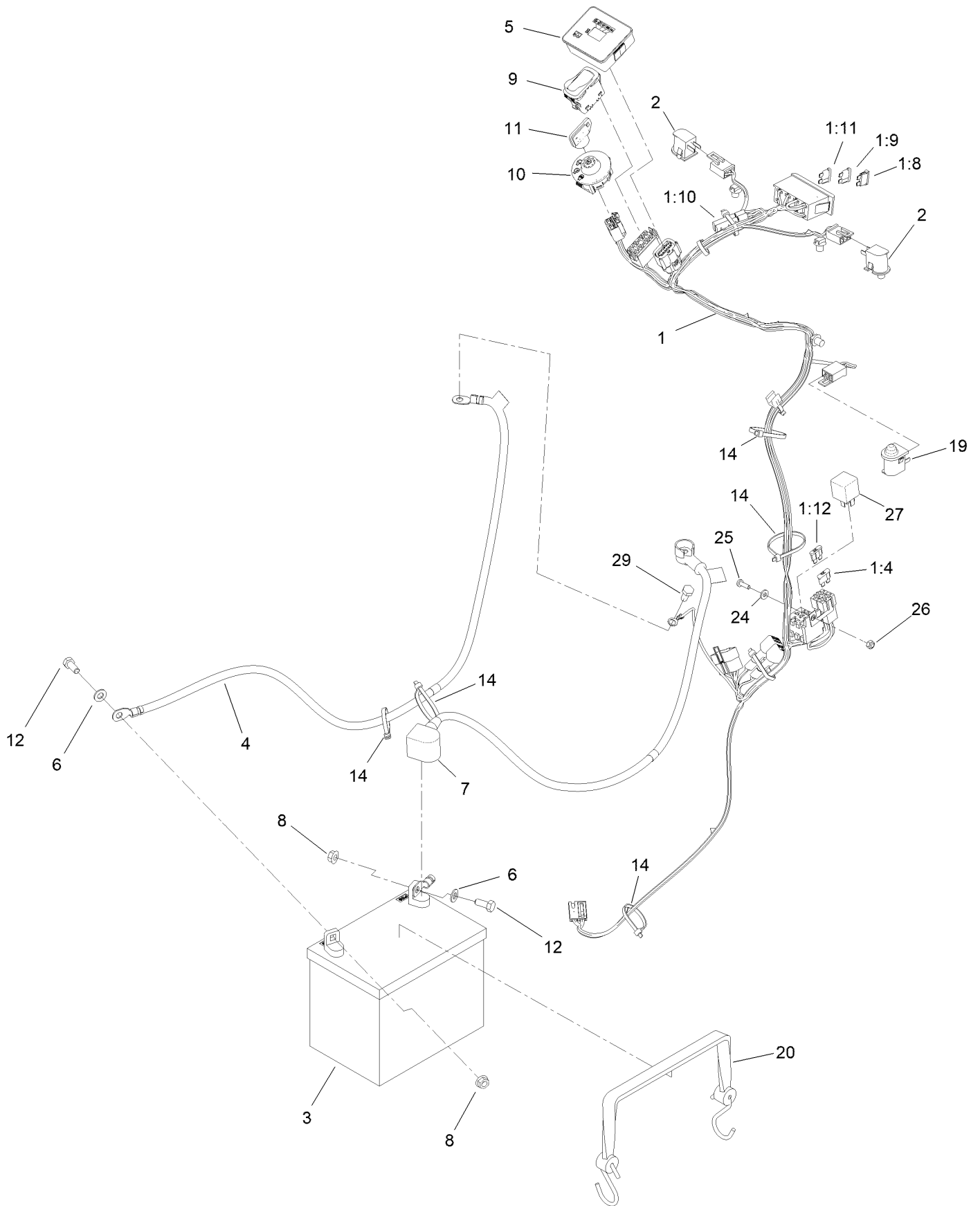
# Fuel Tank Assembly



## Fuel Tank Assembly (continued)

<i>Ref.</i>	<i>Part Number</i>	<i>Qty.</i>	<i>Description</i>	<i>Ref.</i>	<i>Part Number</i>	<i>Qty.</i>	<i>Description</i>
1	132-7560	1	Fuel Tank ASM	2	145-6123	1	Fuel Line ASM
1:2	46-6560	2	Bushing	3	110-8255	1	Hose-Fuel
1:3	137-4127	1	Cap-Fuel	4	98-2952	1	Fitting-Straight
1:4	104-5228	1	Fitting-Elbow, 90 DEG	5	132-7576	1	Hose-Fuel
1:5	145-6195	1	ASM, Tube-Fuel				

# Electrical Assembly



## Electrical Assembly (continued)

<i>Ref.</i>	<i>Part Number</i>	<i>Qty.</i>	<i>Description</i>	<i>Ref.</i>	<i>Part Number</i>	<i>Qty.</i>	<i>Description</i>
1	145-5228	1	Harness-Wire, Grandstand	8	109-5715	2	Nut-HHF, Smooth
1:4	109101	1	Fuse-Blade, 20 Amp	9	139-6367	1	Switch-Rocker, (On)-On-Off
1:8	109355	2	Fuse-Blade, 15 Amp	10	137-4101	1	Switch-Ignition
1:9	218-578	1	Fuse-Blade, 10 Amp	11	63-8360	1	Key-Ignition
1:10	116-0053	2	Cap-Plug	12	322-3	2	Screw-HH
1:11	110928	1	Fuse-Blade, 5 Amp	14	3290-378	5	Tie-Cable
1:12	109103	1	Fuse-Blade, 30 Amp	19	133-4654	1	Switch-Plunger
2	82-2190	2	Switch-Bail	20	139-2381	1	Strap-Rubber
3	104-8162	1	Battery	24	3256-14	1	Washer-Flat
4	147-4797	1	Battery-Cable, Bk ASM	25	3290-500	1	Screw-PPH
5	140-1884	1	Module-Meter, Hour	26	3296-2	1	Nut-Lock, NI
6	3256-23	2	Washer-Plain	27	1-643275	1	Relay
7	147-4794	1	Battery-Cable, Rd ASM	29	33114-016	1	Screw-HH

# Attachments and Accessories

## For 72506 GrandStand HDX Mower With 52in TURBO FORCE Cutting Unit

<b>Product Name</b>	<b>Model/Part</b>
Hypr-Oil 500 (quart) .....	114-4713
Hypr-Oil 500 (gallon).....	114-4714
Hypr-Oil 500-5 (5 gallon).....	114-4715
Harness Wire Splitter .....	121-5988
Toro Premium Fuel Treatment 12oz Bottle .....	131-6572
Speed Setting Tool.....	132-7595
Chute Gate Kit W/ Bag.....	133-1434
Trash Bag Assembly .....	133-1435
Light Kit.....	133-1437
HOC Set Blocks.....	133-1439
Hydro Oil Change Kit .....	133-1457
Strobe Light Kit .....	133-1495
5 Gallon Bucket .....	133-2533
Hydraulic Cap Lock Kit.....	136-5420
Bucket Mount Kit.....	136-5681
Recycler Kit .....	139-6653
Blade-18.00 High Flow .....	140-1242
Blade-18.00 Medium Flow .....	140-4856
Blade-18.00 Low Flow .....	140-4857
Blade-18.00 Atomic .....	140-4858
Blade-18.00 Recycler .....	140-4859
6 Pack-Blade, 18.00 High Flow.....	140-4882
6 Pack-Blade, 18.00 Med Flow .....	140-4883
6 Pack-Blade, 18.00 Low Flow .....	140-4884
6 Pack-Blade, 18.00 Atomic.....	140-4885
6 Pack-Blade, 18.00 Recycler.....	140-4886
2 Transmission Filter Kit .....	144-3842
Spark Arrestor, 1.5in .....	146-0561
10W30 4-Cycle Engine Oil (32oz Bottle).....	38280
Toro 4-Cycle SAE 30 Oil (32oz Bottle) .....	38903

**Notes:**



**Count on it.**