



**Count on it.**

**Parts Catalog**

**ProLine H800**

**Rotary Mower**

Model No. 31050TE—Serial No. 320000101 and Up



# Ordering Replacement Parts

To order replacement parts, please supply the part number, the quantity, and the description of each part desired.

## Understanding Reference Numbers

Each identified part in an illustration has a reference number. The reference number for a part also appears in the parts list, along with other information about the part.

This catalog uses two special reference number formats, one to indicate parts in a service assembly and another to indicate the quantity of a given part in an illustration.

## Service Assembly Reference Numbers

Parts in service assemblies have reference numbers in the form a:b. The a represents the reference number of the entire service assembly and the b represents a sequential number unique to each part within the service assembly.

For example, a wheel assembly might be identified by reference number 6, the tire by 6:1, the valve by 6:2, and the wheel by 6:3. When you order the assembly identified by reference number 6, you receive all parts identified by reference numbers 6:1, 6:2, and 6:3. However, you may also order any part individually. Reference numbers of this type appear in illustration and in parts lists.

## Reference Numbers Indicating Quantity

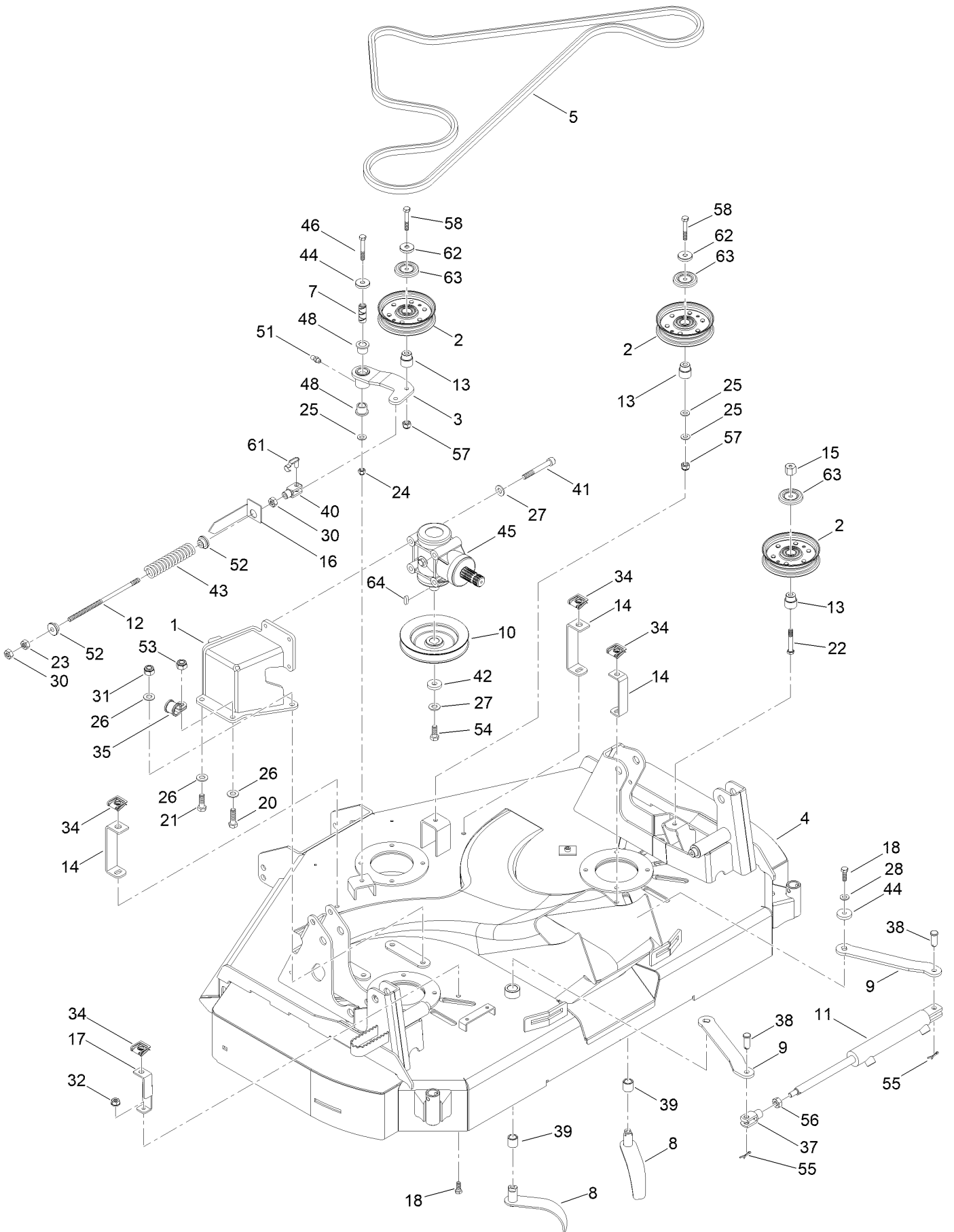
In an illustration, if a reference number indicates more than one part, the reference number has the form nX y. The n represents the quantity of the part, the X is the multiplication symbol, and the y represents the reference number.

For example, in an illustration, the reference number 2X 37 means that two of the parts identified by reference number 37 are indicated.

# Contents

|                                                     |    |
|-----------------------------------------------------|----|
| 132 cm Cutting Deck Belt and Idlers Assembly .....  | 4  |
| Mower Deck Hydraulic Assembly .....                 | 6  |
| Decal Assembly .....                                | 8  |
| 132 cm Cutting Deck Blade and Pulley Assembly ..... | 10 |
| Basket Lift Frame Assembly .....                    | 12 |
| Basket Assembly .....                               | 14 |
| Brakes Assembly .....                               | 16 |
| Cooling Assembly .....                              | 18 |
| Electric Equipment Assembly .....                   | 20 |
| Body Assembly .....                                 | 22 |
| Frame Assembly .....                                | 24 |
| Seat Assembly .....                                 | 26 |
| Flat Frame Assembly No. 1 .....                     | 28 |
| Flat Frame Assembly No. 2 .....                     | 30 |
| Grass Conveyor Hood Assembly .....                  | 32 |
| Gearbox Assembly No. 134-0623 .....                 | 34 |
| Lighting Assembly .....                             | 36 |
| Lift Arms Assembly .....                            | 38 |
| Lubrication Service Assembly No. 1 .....            | 40 |
| Lubrication Service Assembly No. 2 .....            | 42 |
| Oil Filter System Assembly .....                    | 44 |
| Engine, Pump and Friction Assembly .....            | 46 |
| Engine, Fuel and Suction Assembly .....             | 48 |
| Operator Platform Assembly .....                    | 50 |
| Oil System Motors Assembly .....                    | 52 |
| Road Basket Assembly .....                          | 54 |
| Rear Axle Assembly .....                            | 56 |
| Transmission, PTO and Drive Shaft Assembly .....    | 58 |
| Fuel and Oil Tank Assembly .....                    | 60 |
| Cylinder Block Assembly .....                       | 62 |
| Gear Housing Assembly .....                         | 64 |
| Flywheel Housing and Oil Sump Assembly .....        | 66 |
| Cylinder Head and Cover Assembly .....              | 68 |
| Exhaust Manifold Assembly .....                     | 70 |
| Camshaft and Driving Gear Assembly .....            | 72 |
| Crankshaft and Piston Assembly .....                | 74 |
| Lubrication and Oil System Assembly .....           | 76 |
| Cooling Water System Assembly .....                 | 78 |
| Fuel Injection Pump Assembly .....                  | 80 |
| Governor Assembly .....                             | 82 |
| Fuel Injection Valve Assembly .....                 | 84 |
| Fuel Pipe Assembly .....                            | 86 |
| Starter Motor Assembly .....                        | 88 |
| Generator Assembly .....                            | 90 |
| Accessory Assembly .....                            | 92 |
| Attachments and Accessories .....                   | 94 |

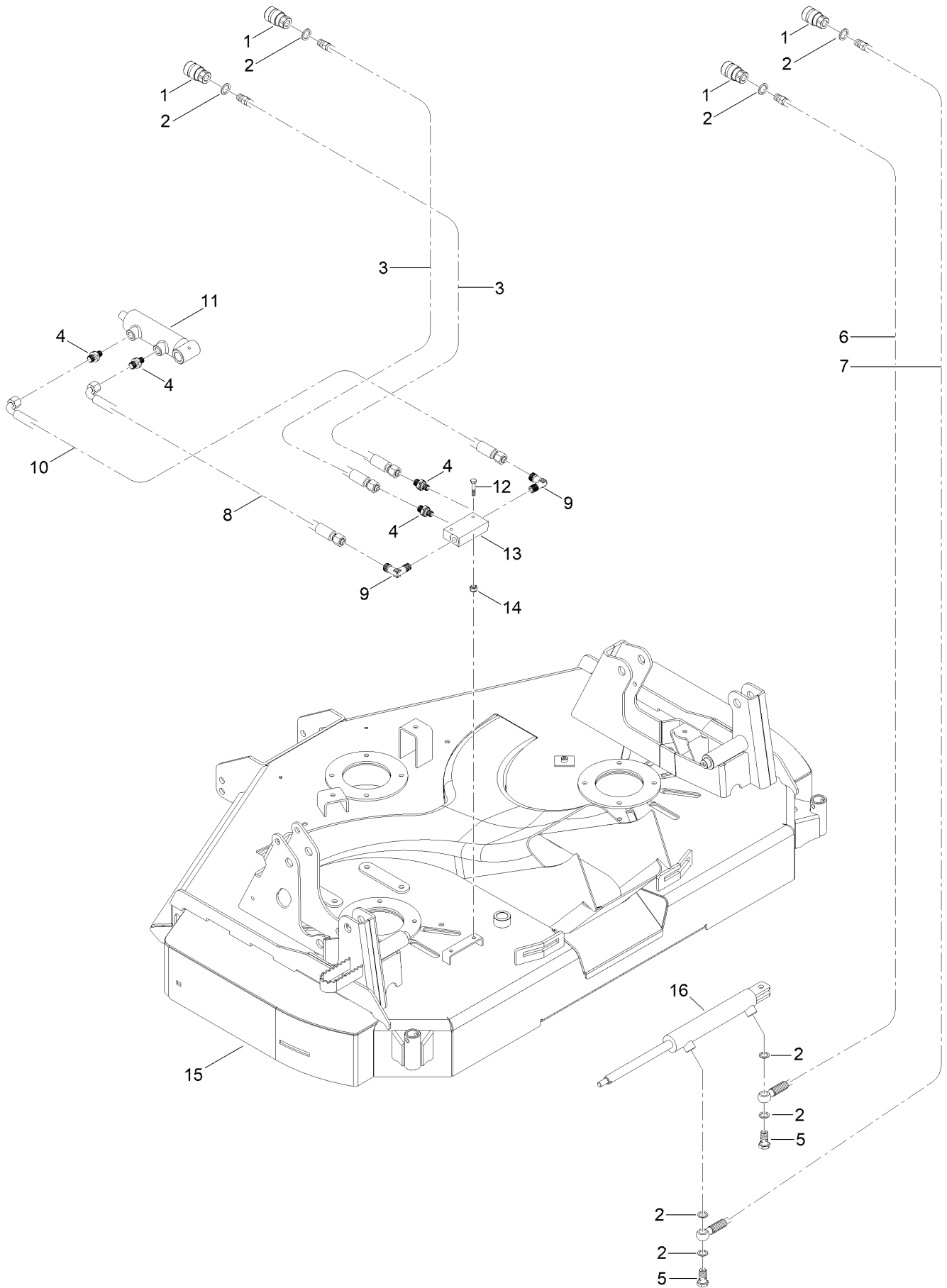
# 132 cm Cutting Deck Belt and Idlers Assembly



# 132 cm Cutting Deck Belt and Idlers Assembly (continued)

| <i>Ref.</i> | <i>Part Number</i> | <i>Qty.</i> | <i>Description</i>               | <i>Ref.</i> | <i>Part Number</i> | <i>Qty.</i> | <i>Description</i>   |
|-------------|--------------------|-------------|----------------------------------|-------------|--------------------|-------------|----------------------|
| 1           | 134-0835           | 1           | Support-Gearbox                  | 31          | 134-1081           | 3           | Nut                  |
| 2           | 134-4536           | 3           | Pulley-Position, Neutral         | 32          | 134-1082           | 1           | Nut                  |
| 3           | 134-0655           | 1           | Tightener-Belt, Cutter Deck      | 34          | 134-1193           | 4           | Plate-Small          |
| 4           | 134-0661           | 1           | Fairing-Deck, Cutter             | 35          | 134-1198           | 1           | Clamp                |
| 5           | 134-0571           | 1           | Belt-Deck, Cutter                | 37          | 134-1241           | 1           | Fork                 |
| 7           | 134-0730           | 1           | Spacer                           | 38          | 134-1242           | 2           | Pin                  |
| 8           | 134-0808           | 2           | Scraper                          | 39          | 134-1265           | 2           | Bushing-Bronze       |
| 9           | 134-0815           | 2           | Lever                            | 40          | 134-1271           | 1           | Fork-Clevis, M8      |
| 10          | 134-0817           | 1           | Pulley                           | 41          | 134-1316           | 1           | Screw                |
| 11          | 134-0827           | 1           | Ram                              | 42          | 134-1337           | 1           | Washer               |
| 12          | 134-0626           | 1           | Rod                              | 43          | 134-1350           | 1           | Spring               |
| 13          | 134-0879           | 3           | Bushing                          | 44          | 134-1355           | 2           | Washer               |
| 14          | 134-0883           | 3           | Bracket                          | 45          | 134-0623           | 1           | Gearbox ASM          |
| 15          | 134-0884           | 1           | Spacer                           | 46          | 134-2953           | 1           | Screw                |
| 16          | 134-0892           | 1           | Spring-Belt Tension<br>Indicator | 48          | 134-2954           | 2           | Bushing              |
| 17          | 134-0965           | 1           | Bracket                          | 51          | 134-1065           | 1           | Fitting-Grease       |
| 18          | 134-1011           | 2           | Screw                            | 52          | 134-1349           | 2           | Guide-Spring         |
| 20          | 134-1019           | 2           | Screw                            | 53          | 134-1079           | 1           | Nut                  |
| 21          | 134-1023           | 2           | Screw                            | 54          | 134-1309           | 1           | Screw-HH             |
| 22          | 134-1029           | 1           | Screw                            | 55          | 134-1130           | 2           | Pin-Spring           |
| 23          | 134-1034           | 1           | Nut                              | 56          | 134-1043           | 1           | Nut                  |
| 24          | 134-1038           | 1           | Nut                              | 57          | 134-1092           | 2           | Nut                  |
| 25          | 134-1045           | 3           | Washer                           | 58          | 134-8036           | 2           | Screw-HH             |
| 26          | 134-1046           | 7           | Washer                           | 61          | 134-1250           | 1           | Clip                 |
| 27          | 134-1051           | 2           | Washer                           | 62          | 134-8037           | 2           | Washer-Plain         |
| 28          | 134-1054           | 1           | Washer                           | 63          | 134-8038           | 3           | Guard-Shield, Debris |
| 30          | 134-1078           | 2           | Nut                              | 64          | 134-8267           | 1           | Key                  |

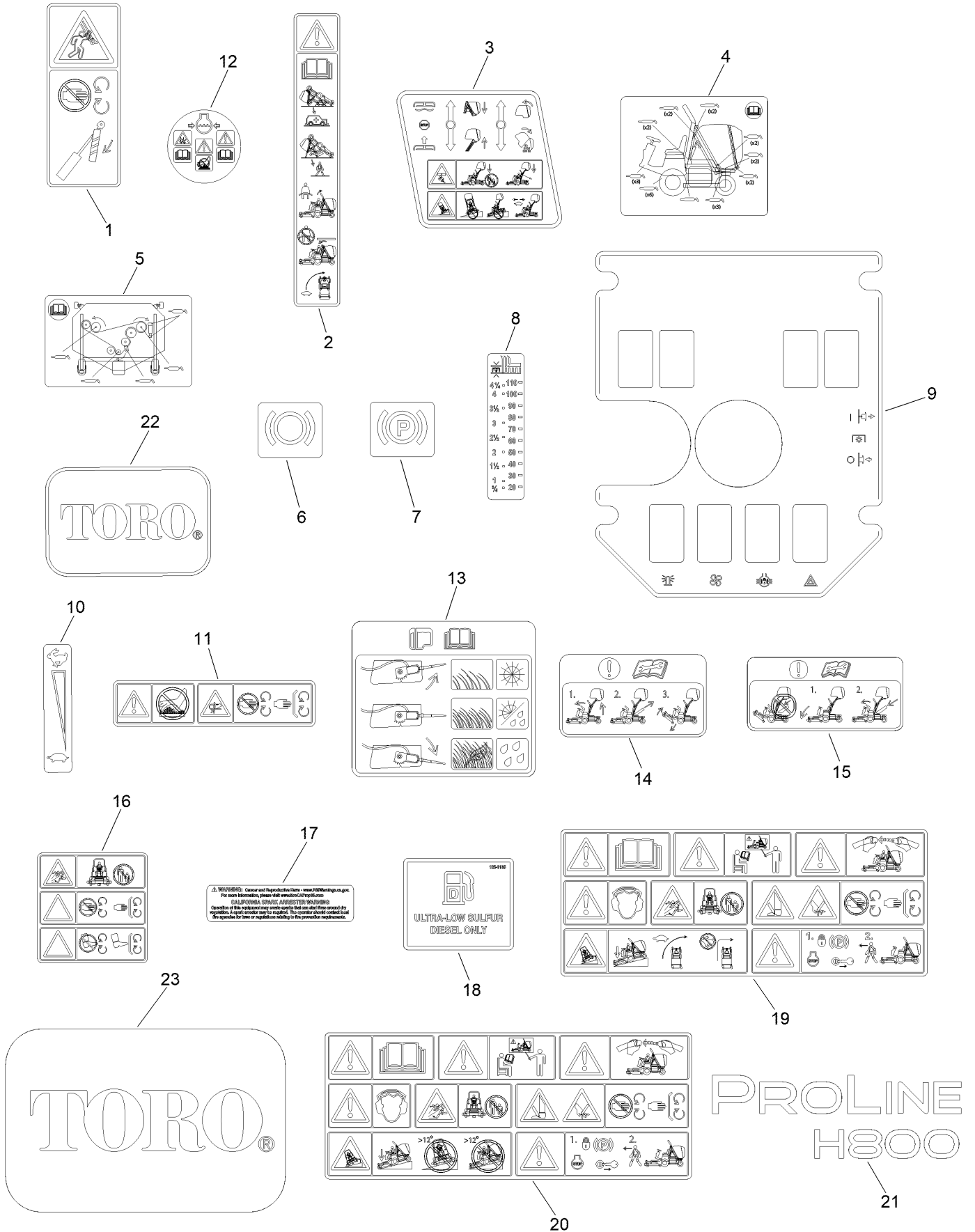
# Mower Deck Hydraulic Assembly



## Mower Deck Hydraulic Assembly (continued)

| <i>Ref.</i> | <i>Part Number</i> | <i>Qty.</i> | <i>Description</i>    | <i>Ref.</i> | <i>Part Number</i> | <i>Qty.</i> | <i>Description</i>   |
|-------------|--------------------|-------------|-----------------------|-------------|--------------------|-------------|----------------------|
| 1           | 134-1206           | 4           | Coupler-Quick, Female | 9           | 134-3122           | 2           | Fitting-Hydraulic    |
| 2           | 134-1255           | 8           | Washer                | 10          | 134-3127           | 1           | Hose-Hydraulic       |
| 3           | 134-3118           | 2           | Hose-Hydraulic        | 11          | 134-0826           | 1           | Cylinder-HYD         |
| 4           | 134-1270           | 4           | Fitting-Nipple        | 12          | 134-3019           | 1           | Screw                |
| 5           | 134-1102           | 2           | Screw                 | 13          | 134-1335           | 1           | Valve-Lock           |
| 6           | 134-3119           | 1           | Hose-Hydraulic        | 14          | 134-1042           | 1           | Nut                  |
| 7           | 134-3120           | 1           | Hose-Hydraulic        | 15          | 134-0661           | 1           | Fairing-Deck, Cutter |
| 8           | 134-3121           | 1           | Hose-Hydraulic        | 16          | 134-0827           | 1           | Ram                  |

# Decal Assembly





## Decal Assembly (continued)

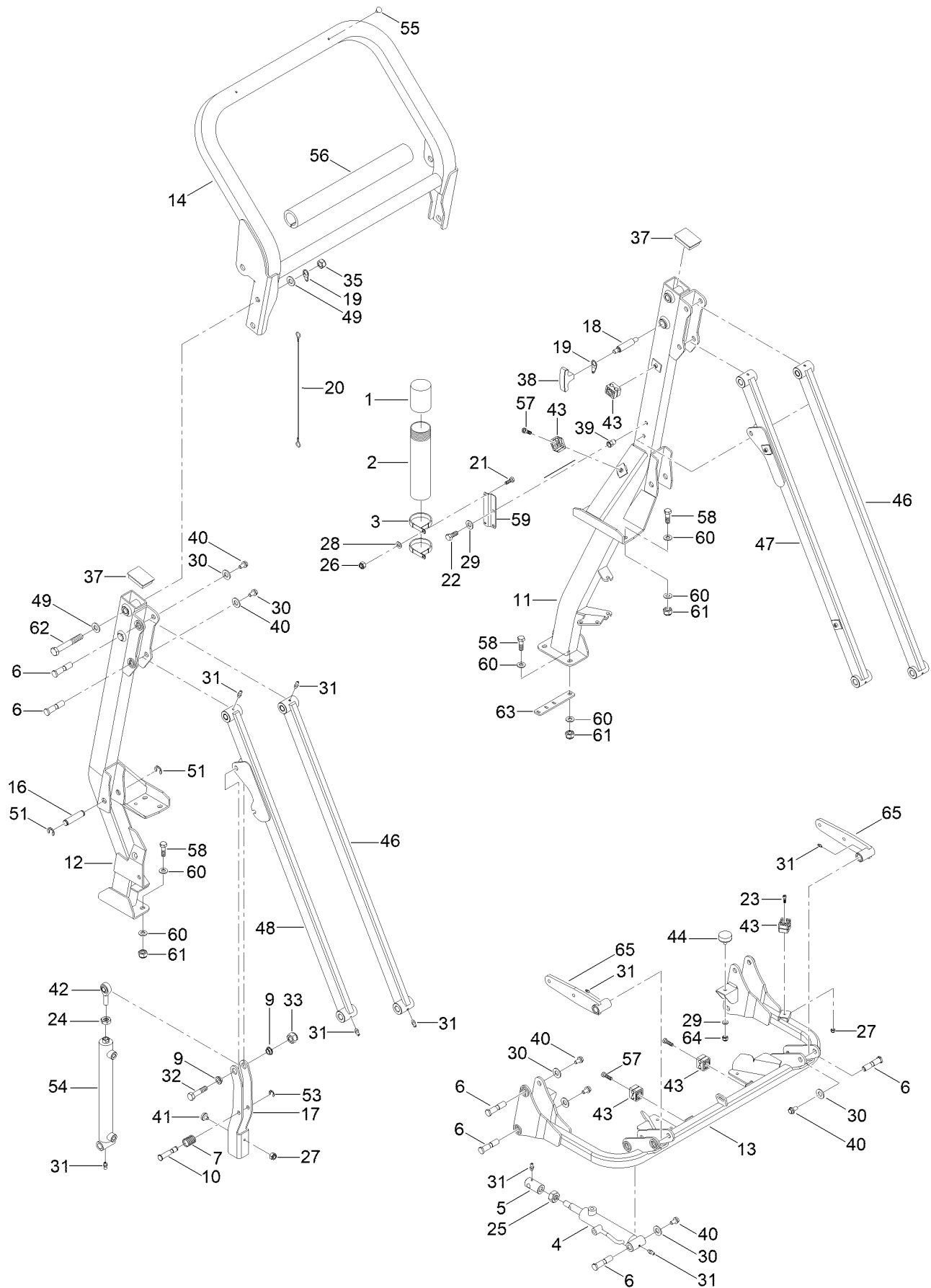
| <i>Ref.</i> | <i>Part Number</i> | <i>Qty.</i> | <i>Description</i>                 | <i>Ref.</i> | <i>Part Number</i> | <i>Qty.</i> | <i>Description</i>            |
|-------------|--------------------|-------------|------------------------------------|-------------|--------------------|-------------|-------------------------------|
| 1           | 134-0541           | 2           | Decal-Danger, Arm                  | 13          | 134-1357           | 1           | Decal-Hopper Sensor           |
| 2           | 134-0542           | 1           | Decal-ROPS Warning                 | 14          | 134-1358           | 2           | Decal-Attention, Deck Service |
| 3           | 134-0543           | 1           | Decal-Warning, Dumping             | 15          | 134-1359           | 2           | Decal-Attention, Deck Service |
| 4           | 134-0545           | 1           | Decal-Info, Grease Points, Tractor | 16          | 134-0540           | 2           | Decal-Danger, Deck            |
| 5           | 134-0546           | 1           | Decal-Info, Grease Points, Deck    | 17          | 133-8062           | 1           | Decal-Spark Arrestor          |
| 6           | 134-0547           | 1           | Decal-Brake                        | 18          | 125-6135           | 1           | Decal-Ultra-Low Diesel Only   |
| 7           | 134-0548           | 1           | Decal-Parking Brake                | 19          | 134-1986           | 1           | Decal-Warning                 |
| 8           | 134-0549           | 1           | Decal-HOC                          | 20          | 134-0539           | 1           | Decal-Warning, General        |
| 9           | 134-0550           | 1           | Decal-Control Panel                | 21          | 134-0544           | 2           | Decal-Proline H800            |
| 10          | 134-0552           | 1           | Decal-Speed Control                | 22          | 126-5060           | 1           | Decal-Logo, Toro              |
| 11          | 134-0553           | 1           | Decal-Warning, Hot Surface         | 23          | 134-0551           | 3           | Decal-Toro Logo               |
| 12          | 117-3276           | 1           | Decal-Danger                       |             |                    |             |                               |



# 132 cm Cutting Deck Blade and Pulley Assembly (continued)

| <i>Ref.</i> | <i>Part Number</i> | <i>Qty.</i> | <i>Description</i>       | <i>Ref.</i> | <i>Part Number</i> | <i>Qty.</i> | <i>Description</i>      |
|-------------|--------------------|-------------|--------------------------|-------------|--------------------|-------------|-------------------------|
| 1           | 134-0579           | 3           | Spring-Belleville        | 21          | 134-1046           | 2           | Washer                  |
| 2           | 134-0630           | 1           | Shaft-Blade Hub, Central | 22          | 134-1051           | 6           | Washer                  |
| 3           | 134-0631           | 1           | Pulley                   | 23          | 134-1057           | 3           | Ring-Retaining, Int     |
| 4           | 134-0636           | 1           | Shaft-Hub, LH Blade      | 24          | 134-1065           | 3           | Fitting-Grease          |
| 5           | 134-0637           | 1           | Shaft-Hub, RH Blade      | 25          | 134-1079           | 2           | Nut                     |
| 6           | 134-0643           | 2           | Screw                    | 26          | 134-1092           | 2           | Nut                     |
| 7           | 134-0652           | 1           | Disc-Blade, LH           | 27          | 134-1101           | 3           | Key-Shaft               |
| 8           | 134-0653           | 1           | Disc-Blade, RH           | 28          | 134-1106           | 3           | Bearing                 |
| 9           | 134-0661           | 1           | Fairing-Deck, Cutter     | 29          | 134-5172           | 3           | Bearing                 |
| 10          | 134-0538           | 2           | Blade-Rotary, Swing, LH  | 30          | 134-1115           | 3           | Screw                   |
| 11          | 134-0732           | 3           | Cover                    | 31          | 134-1159           | 3           | Seal-Oil                |
| 12          | 134-0733           | 3           | Screw                    | 33          | 134-1309           | 2           | Screw-HH                |
| 13          | 134-0734           | 2           | Seal-Oil                 | 34          | 134-1337           | 1           | Washer                  |
| 14          | 134-0778           | 1           | Disc-Blade, Central      | 35          | 134-1347           | 1           | Screw-HH, LH Thd        |
| 15          | 134-0805           | 2           | Pulley                   | 36          | 134-0536           | 1           | Blade-Rotary, Ctr       |
| 17          | 134-0833           | 3           | Hub-Blade Holder         | 37          | 134-0537           | 2           | Blade-Rotary, Swing, RH |
| 18          | 134-0834           | 3           | Spacer                   | 38          | 134-0570           | 1           | Blade Kit               |
| 19          | 134-0897           | 3           | Cover                    | 39          | 134-1038           | 1           | Nut                     |
| 20          | 134-1045           | 4           | Washer                   | 40          | 134-0994           | 2           | Washer                  |

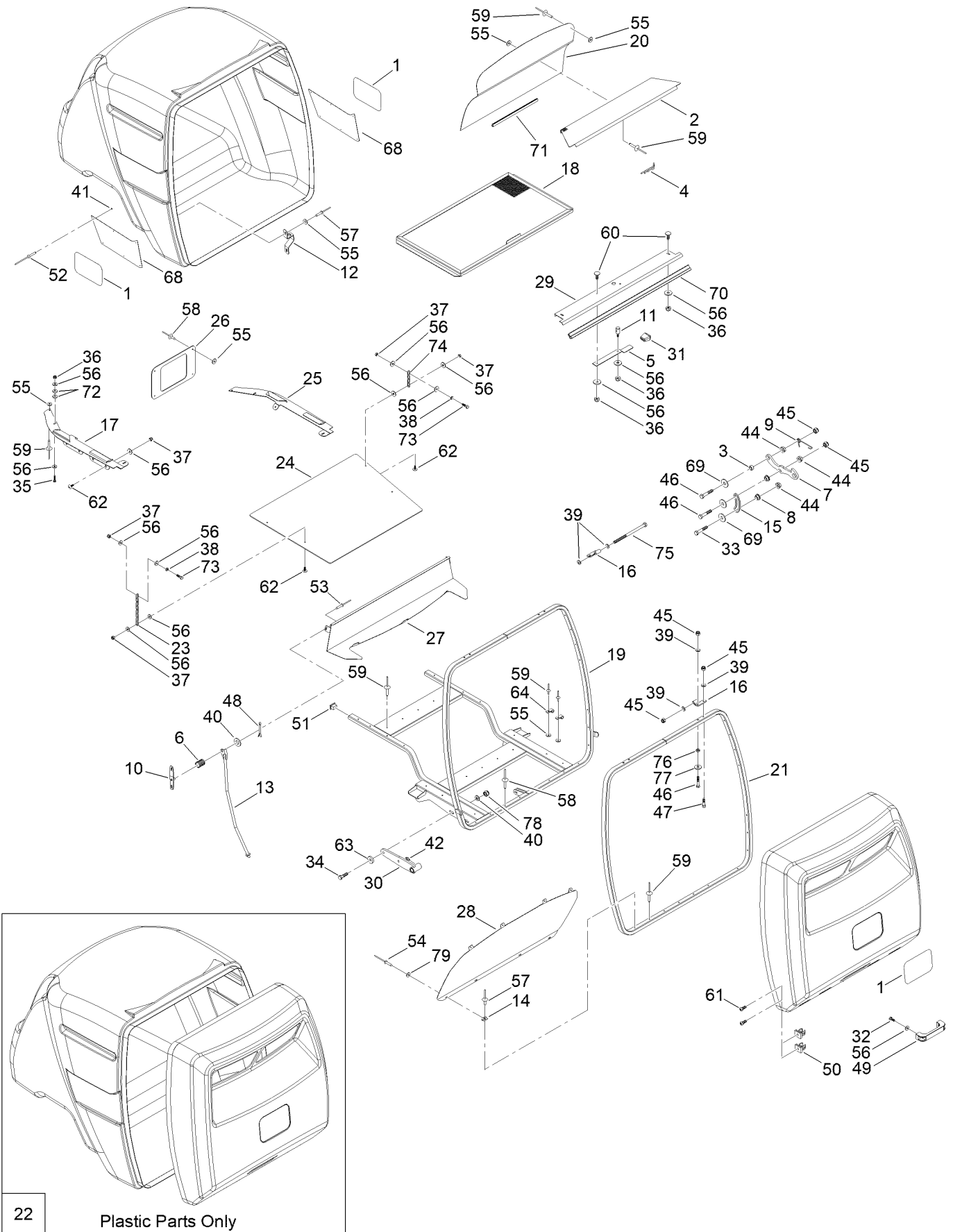
# Basket Lift Frame Assembly



## Basket Lift Frame Assembly (continued)

| <i>Ref.</i> | <i>Part Number</i> | <i>Qty.</i> | <i>Description</i>                 | <i>Ref.</i> | <i>Part Number</i> | <i>Qty.</i> | <i>Description</i> |
|-------------|--------------------|-------------|------------------------------------|-------------|--------------------|-------------|--------------------|
| 1           | 104-7048           | 1           | Cap-Housing                        | 32          | 134-1072           | 1           | Screw              |
| 2           | 104-7050           | 1           | Tube-Manual                        | 33          | 134-1090           | 1           | Nut                |
| 3           | 107-1865           | 2           | R-Clamp                            | 35          | 134-1095           | 1           | Nut                |
| 4           | 134-0654           | 1           | Cylinder-Tipping, Grass<br>Catcher | 37          | 134-1175           | 2           | Cap                |
| 5           | 134-0692           | 1           | Support                            | 38          | 134-1180           | 1           | Knob               |
| 6           | 134-0719           | 6           | Pin                                | 39          | 134-1260           | 2           | Insert-Threaded    |
| 7           | 134-0727           | 1           | Spring                             | 40          | 134-1310           | 6           | Screw              |
| 9           | 134-0761           | 2           | Bushing                            | 41          | 134-1326           | 1           | Magnet             |
| 10          | 134-0776           | 1           | Pin                                | 42          | 134-1328           | 1           | Joint-Ball         |
| 11          | 134-0809           | 1           | Bracket                            | 43          | 134-1330           | 5           | Collar             |
| 12          | 134-0810           | 1           | Bracket                            | 44          | 134-1338           | 1           | Pad-Rubber         |
| 13          | 134-0814           | 1           | Support                            | 46          | 134-2959           | 2           | Arm                |
| 14          | 134-0839           | 1           | Bar-Roll                           | 47          | 134-2960           | 1           | Arm                |
| 16          | 134-0873           | 1           | Pin                                | 48          | 134-2961           | 1           | Arm                |
| 17          | 134-0909           | 1           | Rod-Safety                         | 49          | 134-2962           | 2           | Washer             |
| 18          | 134-0931           | 1           | Pin                                | 51          | 134-2964           | 2           | Ring-Snap          |
| 19          | 134-0932           | 2           | Plate-Small                        | 53          | 134-2966           | 1           | Ring Snap          |
| 20          | 134-0933           | 1           | Cable                              | 54          | 134-0811           | 1           | Cylinder           |
| 21          | 134-1008           | 2           | Screw                              | 55          | 134-1162           | 1           | Rivet-Plastic      |
| 22          | 134-1011           | 2           | Screw                              | 56          | 134-1158           | 1           | Protector          |
| 23          | 134-1025           | 1           | Screw                              | 57          | 134-1071           | 3           | Screw              |
| 24          | 134-1036           | 1           | Nut                                | 58          | 134-2999           | 3           | Screw              |
| 25          | 134-1037           | 1           | Nut                                | 59          | 134-2958           | 1           | Bracket            |
| 26          | 134-1041           | 2           | Nut                                | 60          | 134-1047           | 6           | Washer             |
| 27          | 134-1042           | 2           | Nut                                | 61          | 134-0561           | 3           | Nut                |
| 28          | 134-1044           | 2           | Washer                             | 62          | 134-1022           | 1           | Screw              |
| 29          | 134-1045           | 3           | Washer                             | 63          | 134-0891           | 1           | Bracket            |
| 30          | 134-1051           | 6           | Washer                             | 64          | 134-1038           | 1           | Nut                |
| 31          | 134-1065           | 9           | Fitting-Grease                     | 65          | 134-0979           | 2           | Hinge              |

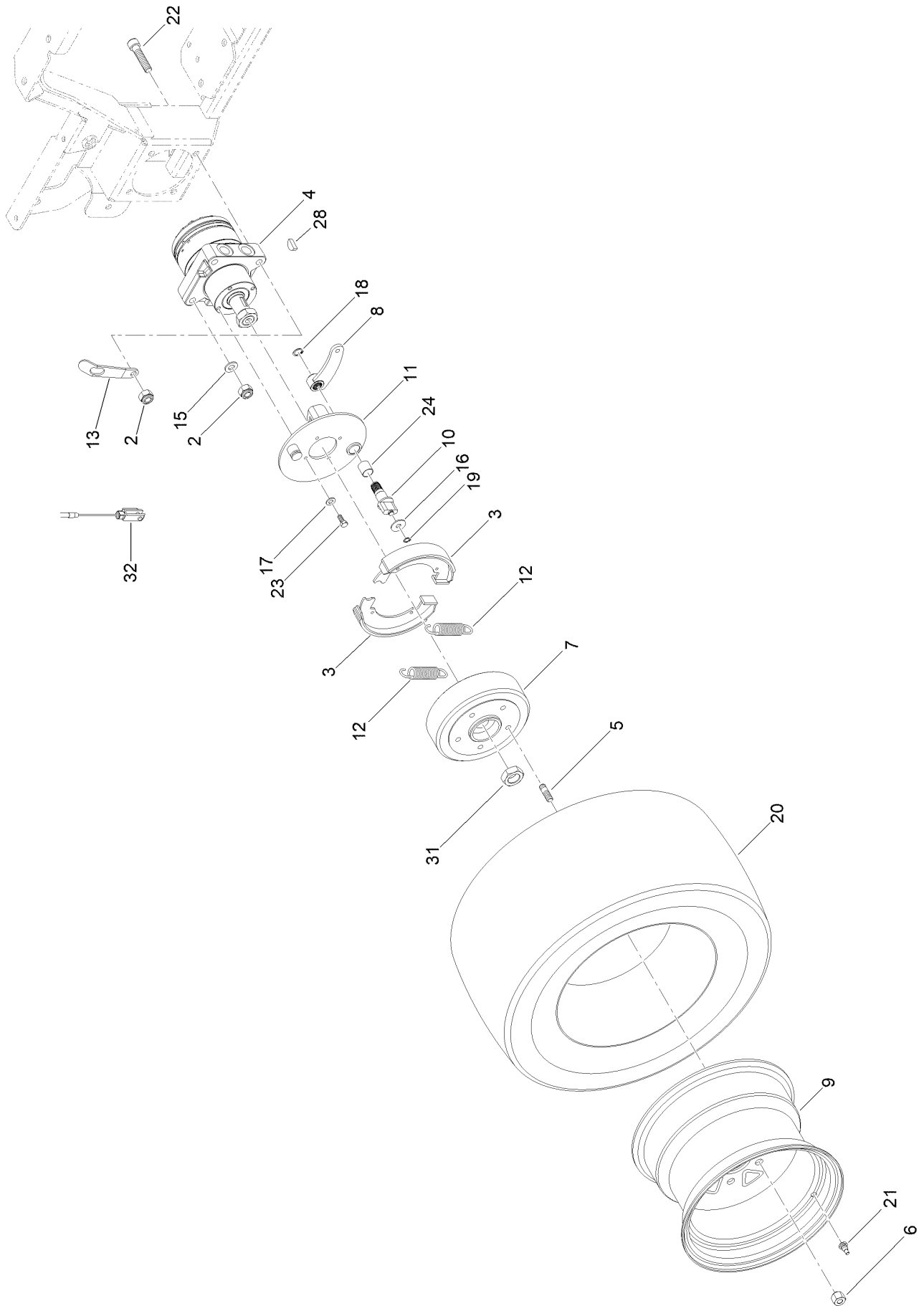
# Basket Assembly



## Basket Assembly (continued)

| <i>Ref.</i> | <i>Part Number</i> | <i>Qty.</i> | <i>Description</i>              | <i>Ref.</i> | <i>Part Number</i> | <i>Qty.</i> | <i>Description</i>      |
|-------------|--------------------|-------------|---------------------------------|-------------|--------------------|-------------|-------------------------|
| 1           | 134-0551           | 3           | Decal-Toro Logo                 | 37          | 134-1042           | 5           | Nut                     |
| 2           | 134-0658           | 1           | Sieve-Catcher, Grass            | 38          | 134-1044           | 2           | Washer                  |
| 3           | 134-0687           | 1           | Spacer                          | 39          | 134-1045           | 5           | Washer                  |
| 4           | 134-0724           | 1           | Stop                            | 40          | 134-1046           | 2           | Washer                  |
| 5           | 134-0725           | 1           | Hook                            | 41          | 134-1050           | 1           | Washer                  |
| 6           | 134-0727           | 1           | Spring                          | 42          | 134-1065           | 1           | Fitting-Grease          |
| 7           | 134-0728           | 1           | Hook                            | 44          | 134-1082           | 3           | Nut                     |
| 8           | 134-0737           | 2           | Bushing                         | 45          | 134-1092           | 5           | Nut                     |
| 9           | 134-0740           | 1           | Spring                          | 46          | 134-1119           | 3           | Screw                   |
| 10          | 134-0741           | 1           | Support                         | 47          | 134-1122           | 1           | Screw                   |
| 11          | 134-0743           | 1           | Pin                             | 48          | 134-1129           | 1           | Pin-Spring              |
| 12          | 134-0744           | 1           | Bracket                         | 49          | 134-1140           | 1           | Handle                  |
| 13          | 134-0747           | 1           | Rod                             | 50          | 134-1160           | 1           | Collar                  |
| 14          | 134-0753           | 1           | Bracket                         | 51          | 134-1181           | 2           | Cap-Plastic, Black      |
| 15          | 134-0755           | 1           | Rod-Connecting                  | 52          | 134-1183           | 8           | Rivet                   |
| 16          | 134-0758           | 2           | Hinge                           | 53          | 134-1190           | 4           | Rivet                   |
| 17          | 134-0764           | 1           | Guide                           | 54          | 134-1204           | 4           | Rivet                   |
| 18          | 134-0765           | 1           | Screen-Grass Catcher,<br>Inside | 55          | 134-1231           | 7           | Washer                  |
| 19          | 134-0825           | 1           | Frame                           | 56          | 134-1234           | 15          | Washer                  |
| 20          | 134-0842           | 1           | Screen-Grass Catcher,<br>Front  | 57          | 134-1244           | 4           | Rivet                   |
| 21          | 134-0843           | 1           | Frame                           | 58          | 134-1246           | 3           | Rivet                   |
| 22          | 134-0858           | 1           | Catcher-Grass                   | 59          | 134-1273           | 101         | Rivet                   |
| 23          | 134-0870           | 1           | Chain                           | 60          | 134-1296           | 2           | Screw                   |
| 24          | 134-0871           | 1           | Panel-Plastic, Grass<br>Catcher | 61          | 134-1303           | 1           | Screw                   |
| 25          | 134-0875           | 1           | Support-Net                     | 62          | 134-1304           | 3           | Screw                   |
| 26          | 134-0908           | 1           | Plate                           | 63          | 134-1337           | 1           | Washer                  |
| 27          | 134-0961           | 1           | Screen-Grass Catcher            | 64          | 134-1348           | 1           | Grommet                 |
| 28          | 134-0976           | 1           | Plate                           | 68          | 134-3124           | 2           | Plate-Logo, Hopper      |
| 29          | 134-0978           | 1           | Rail-Cross                      | 69          | 134-3126           | 3           | Washer                  |
| 30          | 134-0979           | 1           | Hinge                           | 70          | 134-3125           | 1           | Gasket-Screen, Hopper   |
| 31          | 134-0999           | 1           | Knob                            | 71          | 134-8114           | 1           | Trim-Rubber, Reinforced |
| 32          | 134-1008           | 1           | Screw                           | 72          | 134-0691           | 2           | Washer                  |
| 33          | 134-1013           | 1           | Screw                           | 73          | 134-1009           | 2           | Screw                   |
| 34          | 134-1019           | 1           | Screw                           | 74          | 134-0869           | 1           | Chain                   |
| 35          | 134-1028           | 1           | Screw                           | 75          | 134-1117           | 1           | Screw                   |
| 36          | 134-1041           | 4           | Nut                             | 76          | 134-0991           | 1           | Spacer                  |
|             |                    |             |                                 | 77          | 134-3126           | 1           | Washer                  |
|             |                    |             |                                 | 78          | 134-1079           | 1           | Nut                     |
|             |                    |             |                                 | 79          | 134-1053           | 1           | Washer                  |

# Brakes Assembly

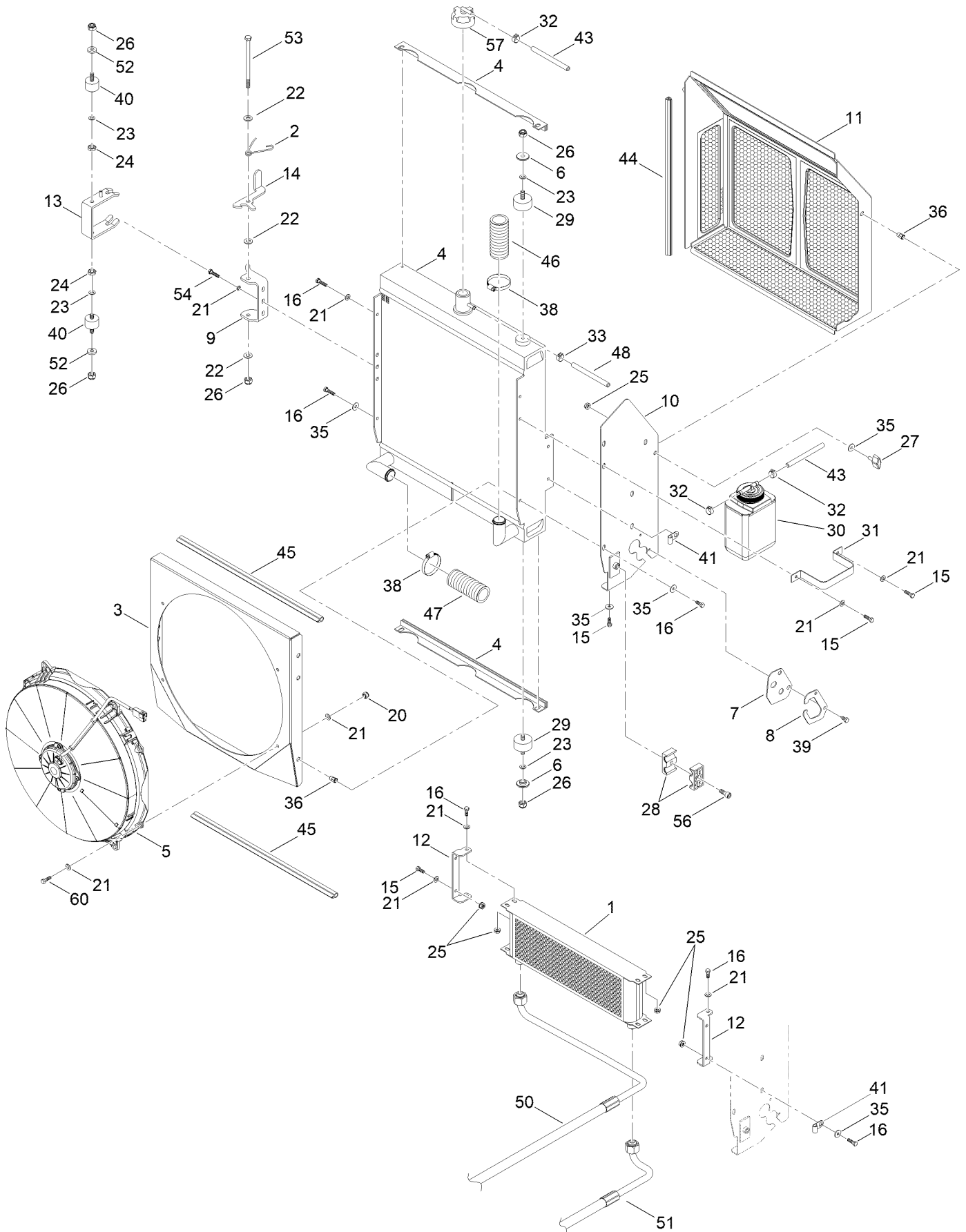




## Brakes Assembly (continued)

| <i>Ref.</i> | <i>Part Number</i> | <i>Qty.</i> | <i>Description</i>   | <i>Ref.</i> | <i>Part Number</i> | <i>Qty.</i> | <i>Description</i>  |
|-------------|--------------------|-------------|----------------------|-------------|--------------------|-------------|---------------------|
| 2           | 134-0561           | 4           | Nut                  | 16          | 134-1048           | 1           | Washer              |
| 3           | 134-0624           | 2           | Shoe-Brake           | 17          | 134-1054           | 4           | Washer              |
| 4           | 134-0666           | 1           | Motor-Hydraulic      | 18          | 134-1062           | 1           | Ring-Retaining, Int |
| 5           | 134-0686           | 5           | Stud                 | 19          | 134-1063           | 1           | Ring-Retaining, Int |
| 6           | 134-0688           | 5           | Nut-Lug, Wheel       | 20          | 134-1229           | 1           | Tire-Front          |
| 7           | 134-0711           | 1           | Drum-Brake           | 21          | 134-1261           | 1           | Valve-Tire          |
| 8           | 134-0714           | 1           | Lever-Brake          | 22          | 134-1298           | 4           | Screw               |
| 9           | 134-0715           | 1           | Rim-Wheel, Front     | 23          | 134-1299           | 4           | Screw               |
| 10          | 134-0717           | 1           | Camshaft             | 24          | 134-1320           | 1           | Bushing             |
| 11          | 134-0718           | 1           | Plate-Brake          | 28          | 134-2970           | 1           | Key-Woodruff        |
| 12          | 134-0722           | 2           | Spring               | 31          | 134-2967           | 2           | Nut                 |
| 13          | 134-0726           | 1           | Bracket-Cable, Brake | 32          | 134-0898           | 2           | Cable-Brake         |
| 15          | 134-1047           | 3           | Washer               |             |                    |             |                     |

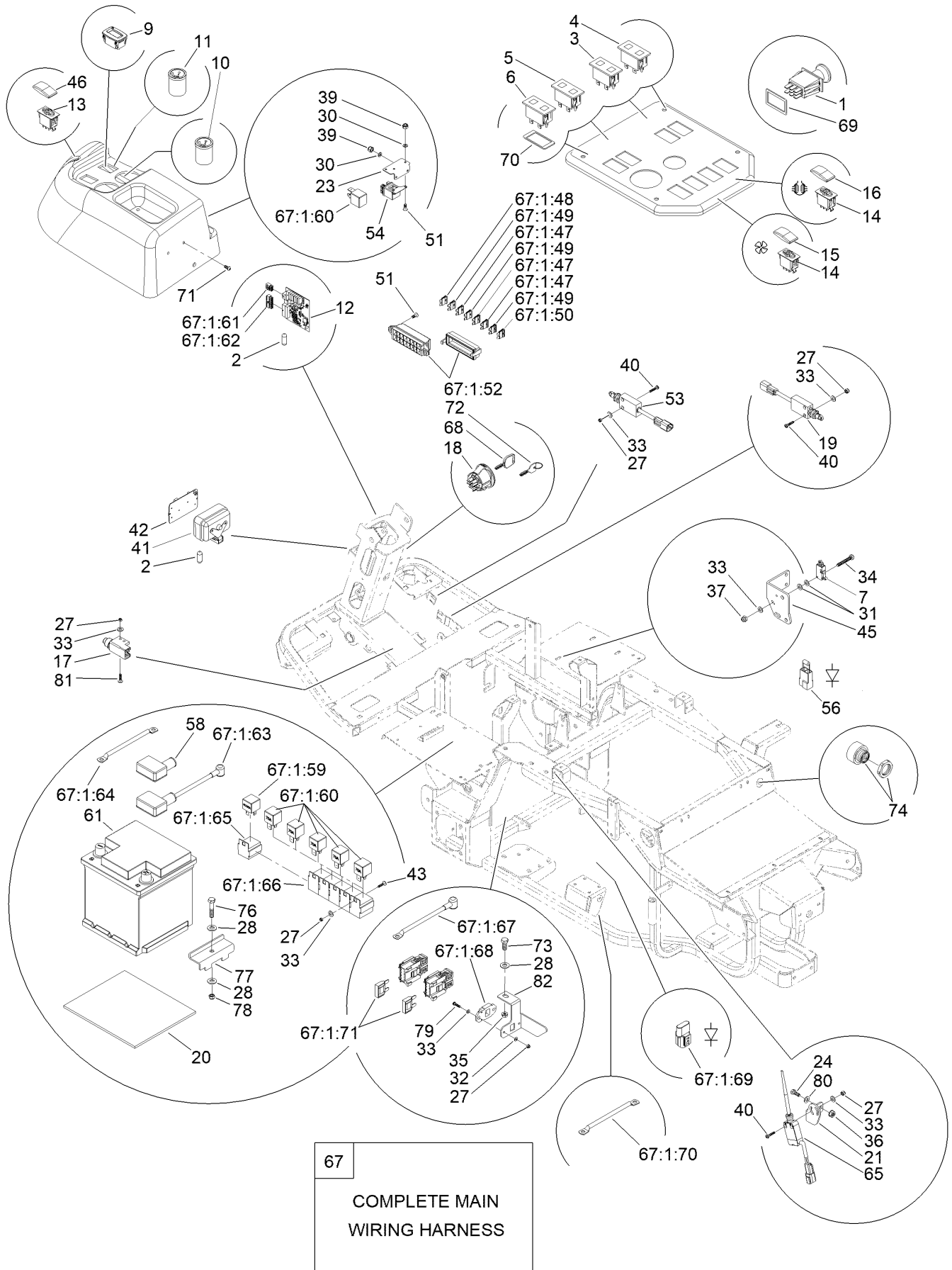
# Cooling Assembly



## Cooling Assembly (continued)

| <i>Ref.</i> | <i>Part Number</i> | <i>Qty.</i> | <i>Description</i> | <i>Ref.</i> | <i>Part Number</i> | <i>Qty.</i> | <i>Description</i> |
|-------------|--------------------|-------------|--------------------|-------------|--------------------|-------------|--------------------|
| 1           | 134-0625           | 1           | Cooler-Oil         | 29          | 134-1164           | 2           | Shock Absorber     |
| 2           | 134-0640           | 1           | Spring             | 30          | 134-1173           | 1           | Tank               |
| 3           | 134-0651           | 1           | Conveyor-Blower    | 31          | 134-1174           | 1           | Clamp              |
| 4           | 134-0659           | 1           | Radiator           | 32          | 134-1199           | 2           | Clamp              |
| 5           | 134-4869           | 1           | Electric Fan Kit   | 33          | 134-1201           | 1           | Clamp              |
| 6           | 134-0694           | 2           | Bushing            | 35          | 134-1234           | 6           | Washer             |
| 7           | 134-0751           | 1           | Gasket             | 36          | 134-1257           | 13          | Insert-Threaded    |
| 8           | 134-0752           | 1           | Frame              | 38          | 134-1277           | 2           | Clamp              |
| 9           | 134-0771           | 1           | Bracket            | 39          | 134-1293           | 2           | Screw              |
| 10          | 134-0773           | 1           | Guard-Cable        | 40          | 134-1346           | 2           | Shock Absorber     |
| 11          | 134-0777           | 1           | Screen-Radiator    | 41          | 134-1348           | 1           | Grommet            |
| 12          | 134-0840           | 2           | Bracket            | 43          | 134-2973           | 2           | Pipe               |
| 13          | 134-0863           | 1           | Bracket            | 44          | 134-2974           | 1           | Gasket             |
| 14          | 134-0864           | 1           | Bracket            | 45          | 134-2975           | 2           | Gasket             |
| 15          | 134-1008           | 5           | Screw              | 46          | 134-2976           | 1           | Pipe               |
| 16          | 134-1009           | 11          | Screw              | 47          | 134-2977           | 1           | Pipe               |
| 20          | 134-1042           | 4           | Nut                | 48          | 134-2978           | 1           | Pipe               |
| 21          | 134-1044           | 23          | Washer             | 50          | 134-3070           | 1           | Hydraulic Hose     |
| 22          | 134-1045           | 3           | Washer             | 51          | 134-3071           | 1           | Hydraulic Hose     |
| 23          | 134-1054           | 4           | Washer             | 52          | 134-0997           | 2           | Washer             |
| 24          | 134-1078           | 2           | Nut                | 53          | 134-1294           | 1           | Screw              |
| 25          | 134-1084           | 7           | Nut                | 54          | 134-1028           | 1           | Screw              |
| 26          | 134-1092           | 5           | Nut                | 56          | 134-1026           | 1           | Screw              |
| 27          | 134-1148           | 1           | Knob               | 57          | 134-8131           | 1           | Cap-Radiator       |
| 28          | 134-1151           | 2           | Collar             | 60          | 134-1008           | 4           | Screw              |

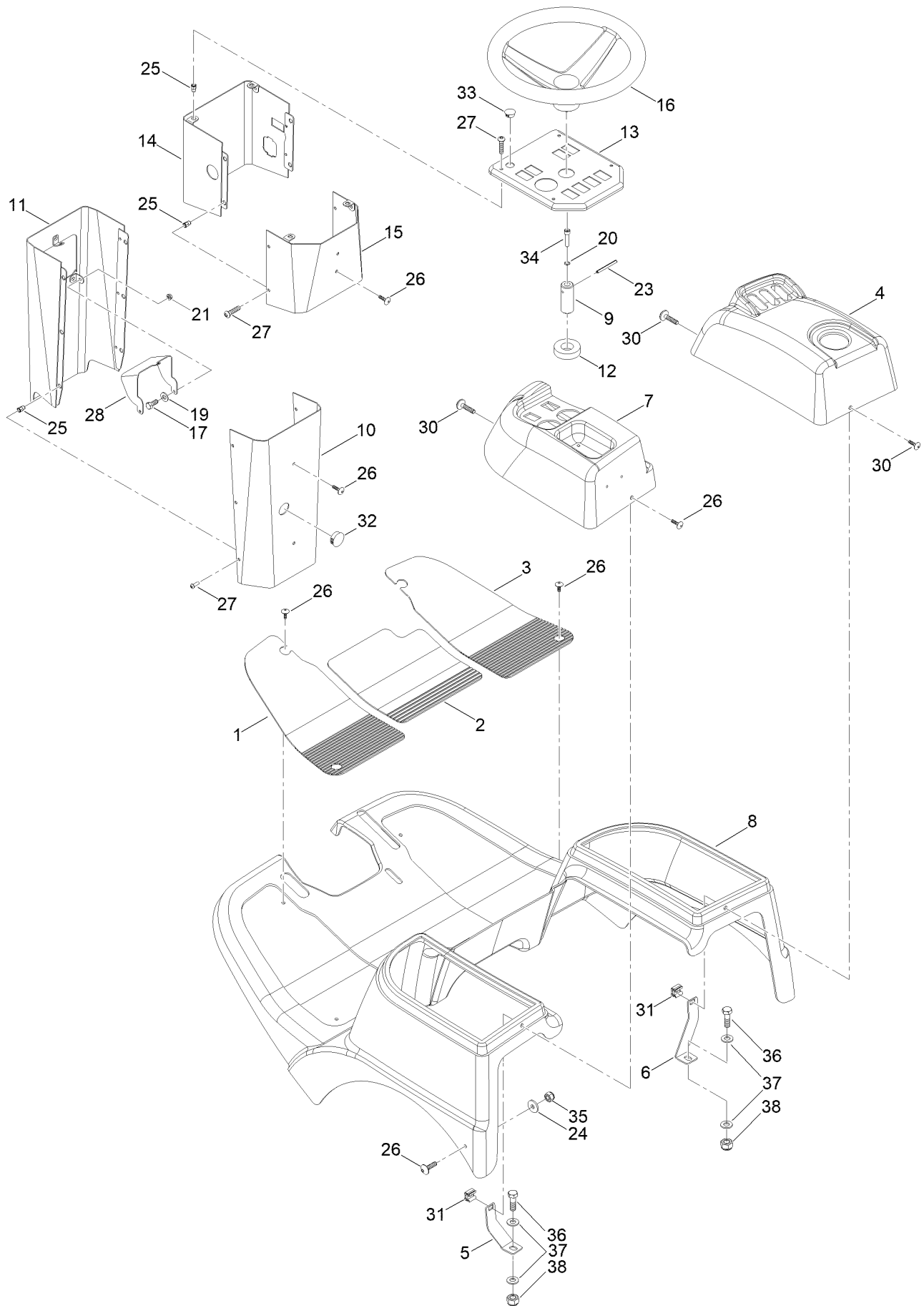
# Electric Equipment Assembly



## Electric Equipment Assembly (continued)

| <i>Ref.</i> | <i>Part Number</i> | <i>Qty.</i> | <i>Description</i>                          | <i>Ref.</i> | <i>Part Number</i> | <i>Qty.</i> | <i>Description</i>          |
|-------------|--------------------|-------------|---------------------------------------------|-------------|--------------------|-------------|-----------------------------|
| 1           | 93-9999            | 1           | Switch-PTO                                  | 46          | 134-2982           | 1           | Cover-Rocker                |
| 2           | 111-9822           | 2           | Ferrite-Suppression, Emc                    | 51          | 134-2987           | 2           | Screw                       |
| 3           | 122-0332           | 1           | Light-Indicator, Low<br>Beam/High Beam      | 53          | 134-2989           | 1           | Swtch-Micro                 |
| 4           | 122-0333           | 1           | Light-Indicator, Hopper<br>Full/Park        | 54          | 134-2990           | 1           | Glow Relay ASM              |
| 5           | 122-0342           | 1           | Light-Indicator, Oil<br>Pressure/Air Filter | 56          | 134-2992           | 1           | Diode-Engine                |
| 6           | 122-0334           | 1           | Light-Indicator, Glow/Battery               | 58          | 134-2994           | 1           | Guard                       |
| 7           | 134-0586           | 1           | Microswitch                                 | 61          | 134-0585           | 1           | Battery, Dry                |
| 9           | 134-0598           | 1           | Meter-Hour                                  | 61          | 134-2997           | 1           | Battery, Wet                |
| 10          | 134-0603           | 1           | Indicator-Fuel                              | 65          | 134-3001           | 1           | Micro-Open, Grass Catcher   |
| 11          | 134-0604           | 1           | Indicator-Temperature                       | 67          | 134-1992           | 1           | Main Wiring Harness Kit     |
| 12          | 134-4868           | 1           | Control Unit-Machine,<br>Electronic         | 67:1:47     | 134-2983           | 3           | Fuse 5A                     |
| 13          | 134-0609           | 1           | Switch-HOC                                  | 67:1:48     | 134-2984           | 1           | Fuse 30A                    |
| 14          | 134-0610           | 2           | Switch                                      | 67:1:49     | 134-2985           | 3           | Fuse 15A                    |
| 15          | 134-0611           | 1           | Cover-Button, Sense<br>Inverting/Fan Rot    | 67:1:50     | 134-2986           | 1           | Fuse-Blade, 3 Amp           |
| 16          | 134-0612           | 1           | Cover-Lock Button,<br>Differential          | 67:1:52     | 134-2988           | 1           | Box-Fuse                    |
| 17          | 134-0614           | 1           | Microswitch-Brake                           | 67:1:59     | 134-2995           | 1           | Relay                       |
| 18          | 134-0615           | 1           | Switch-Ignition                             | 67:1:60     | 134-2996           | 6           | Relay                       |
| 19          | 134-0620           | 1           | Microswitch-Forward                         | 67:1:61     | 134-8243           | 1           | Connector ASM-Ecu, Main     |
| 20          | 134-0720           | 1           | Bushing-Plastic                             | 67:1:62     | 134-8244           | 1           | Connector ASM-Ecu, Main     |
| 21          | 134-0880           | 1           | Bracket                                     | 67:1:63     | 134-8248           | 1           | Lead-Battery, Positive      |
| 23          | 134-0921           | 1           | Bracket                                     | 67:1:64     | 134-8257           | 1           | Lead-Negative               |
| 24          | 134-1008           | 1           | Screw                                       | 67:1:65     | 134-8249           | 1           | Base-Relay 30A              |
| 27          | 134-1040           | 6           | Nut                                         | 67:1:66     | 134-8250           | 6           | Base-Relay 70A              |
| 28          | 134-1045           | 3           | Washer                                      | 67:1:67     | 134-8252           | 1           | Lead-Battery, Positive      |
| 30          | 134-1049           | 2           | Washer                                      | 67:1:68     | 134-8251           | 1           | Retainer-Fuse               |
| 31          | 134-1050           | 2           | Washer                                      | 67:1:69     | 134-8254           | 1           | Diode - 2 Way               |
| 32          | 134-1052           | 1           | Washer                                      | 67:1:70     | 134-8255           | 1           | Lead-Negative               |
| 33          | 134-1053           | 7           | Washer                                      | 67:1:71     | 111-2898           | 2           | Fuse-40A                    |
| 34          | 134-1077           | 1           | Screw                                       | 68          | 134-1285           | 1           | Key-Ignition, Plastic Cover |
| 35          | 134-1082           | 1           | Nut                                         | 69          | 134-0981           | 1           | Retainer-Switch             |
| 36          | 134-1084           | 1           | Nut                                         | 70          | 134-1284           | 1           | Gasket                      |
| 37          | 134-1085           | 1           | Nut                                         | 71          | 134-2987           | 1           | Screw                       |
| 39          | 134-1094           | 2           | Nut                                         | 72          | 134-1286           | 1           | Key-Ignition, Metal         |
| 40          | 134-1113           | 3           | Screw                                       | 73          | 134-1011           | 1           | Screw                       |
| 41          | 134-1280           | 1           | Lamp-Front                                  | 74          | 134-1282           | 1           | Horn-Warning                |
| 42          | 134-1281           | 1           | Bulb                                        | 76          | 134-1014           | 1           | Screw                       |
| 43          | 134-1307           | 1           | Screw                                       | 77          | 134-2998           | 1           | Bracket-Clamp, Battery      |
| 45          | 134-0952           | 1           | Bracket                                     | 78          | 134-1092           | 1           | Nut                         |
|             |                    |             |                                             | 79          | 134-1111           | 1           | Screw                       |
|             |                    |             |                                             | 80          | 134-1044           | 1           | Washer                      |
|             |                    |             |                                             | 81          | 134-1112           | 1           | Screw                       |
|             |                    |             |                                             | 82          | 134-8253           | 1           | Bracket-Fuse                |

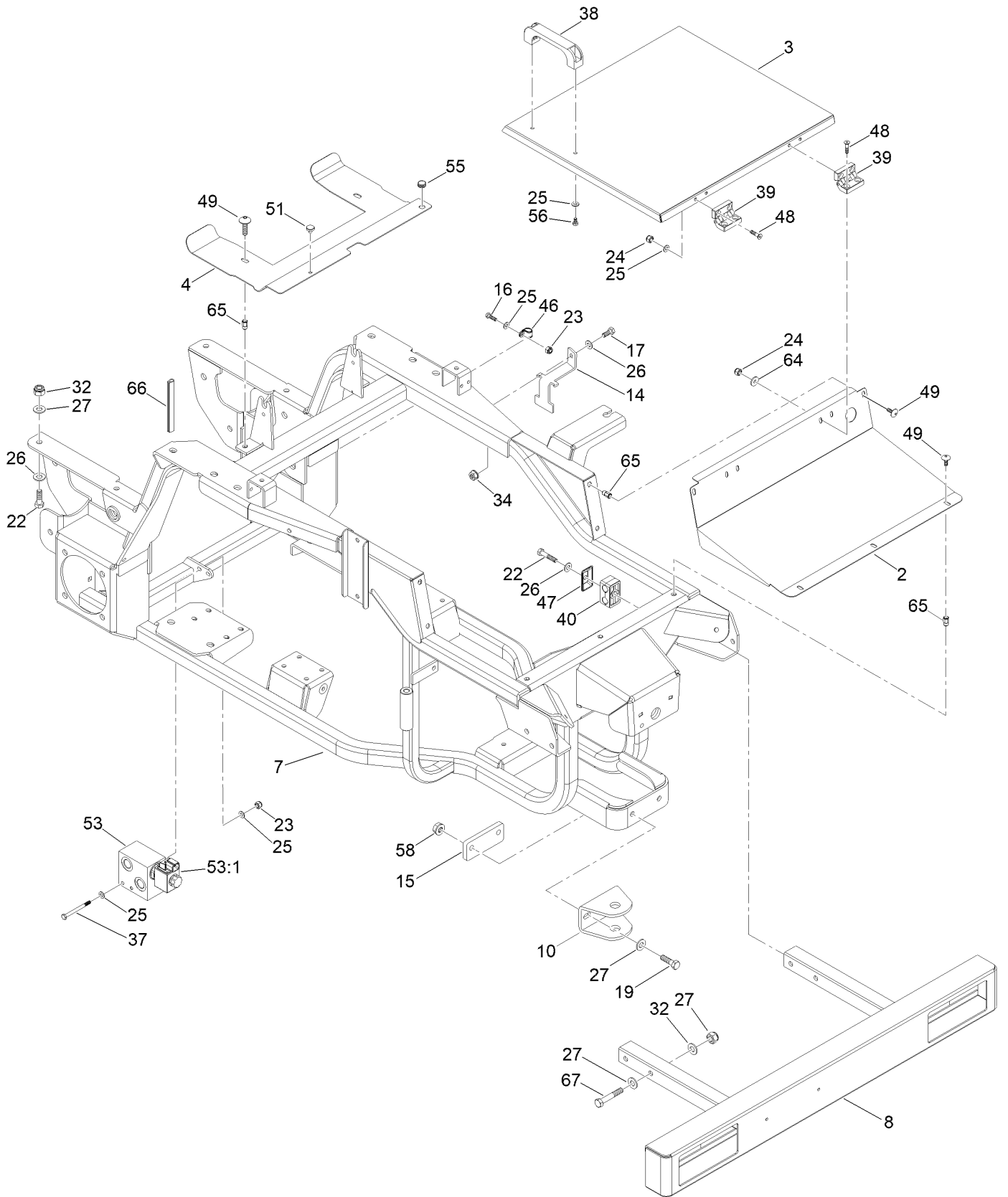
# Body Assembly



## Body Assembly (continued)

| <i>Ref.</i> | <i>Part Number</i> | <i>Qty.</i> | <i>Description</i> | <i>Ref.</i> | <i>Part Number</i> | <i>Qty.</i> | <i>Description</i> |
|-------------|--------------------|-------------|--------------------|-------------|--------------------|-------------|--------------------|
| 1           | 134-0644           | 1           | Pad-Footboard      | 20          | 134-1054           | 1           | Washer             |
| 2           | 134-0645           | 1           | Pad-Footboard      | 21          | 134-1084           | 3           | Nut                |
| 3           | 134-0646           | 1           | Pad-Footboard      | 23          | 134-1135           | 1           | Plug               |
| 4           | 134-0832           | 1           | Dashboard          | 24          | 134-1234           | 2           | Washer             |
| 5           | 134-0885           | 1           | Bracket            | 25          | 134-1257           | 14          | Insert-Threaded    |
| 6           | 134-0886           | 1           | Bracket            | 26          | 134-1304           | 10          | Screw              |
| 7           | 134-0927           | 1           | Dashboard          | 27          | 134-1311           | 14          | Screw              |
| 8           | 134-0928           | 1           | Fairing            | 28          | 134-0946           | 1           | Support-Column     |
| 9           | 134-0937           | 1           | Bushing            | 30          | 134-3004           | 4           | Screw              |
| 10          | 134-0945           | 1           | Support            | 31          | 134-1168           | 2           | Nut-Cage           |
| 11          | 134-0947           | 1           | Support            | 32          | 134-8069           | 1           | Plug-Plastic,      |
| 12          | 134-0950           | 1           | Washer             | 33          | 134-8070           | 1           | Plug-Plastic,      |
| 13          | 134-0954           | 1           | Dashboard          | 34          | 134-8071           | 1           | Screw-Sh,          |
| 14          | 134-0955           | 1           | Support            | 35          | 134-1042           | 2           | Nut                |
| 15          | 134-0956           | 1           | Support            | 36          | 134-2999           | 2           | Screw              |
| 16          | 134-0958           | 1           | Wheel-Steering     | 37          | 134-1047           | 4           | Washer             |
| 17          | 134-1007           | 3           | Screw              | 38          | 134-0561           | 2           | Nut                |
| 19          | 134-1044           | 3           | Washer             |             |                    |             |                    |

# Frame Assembly

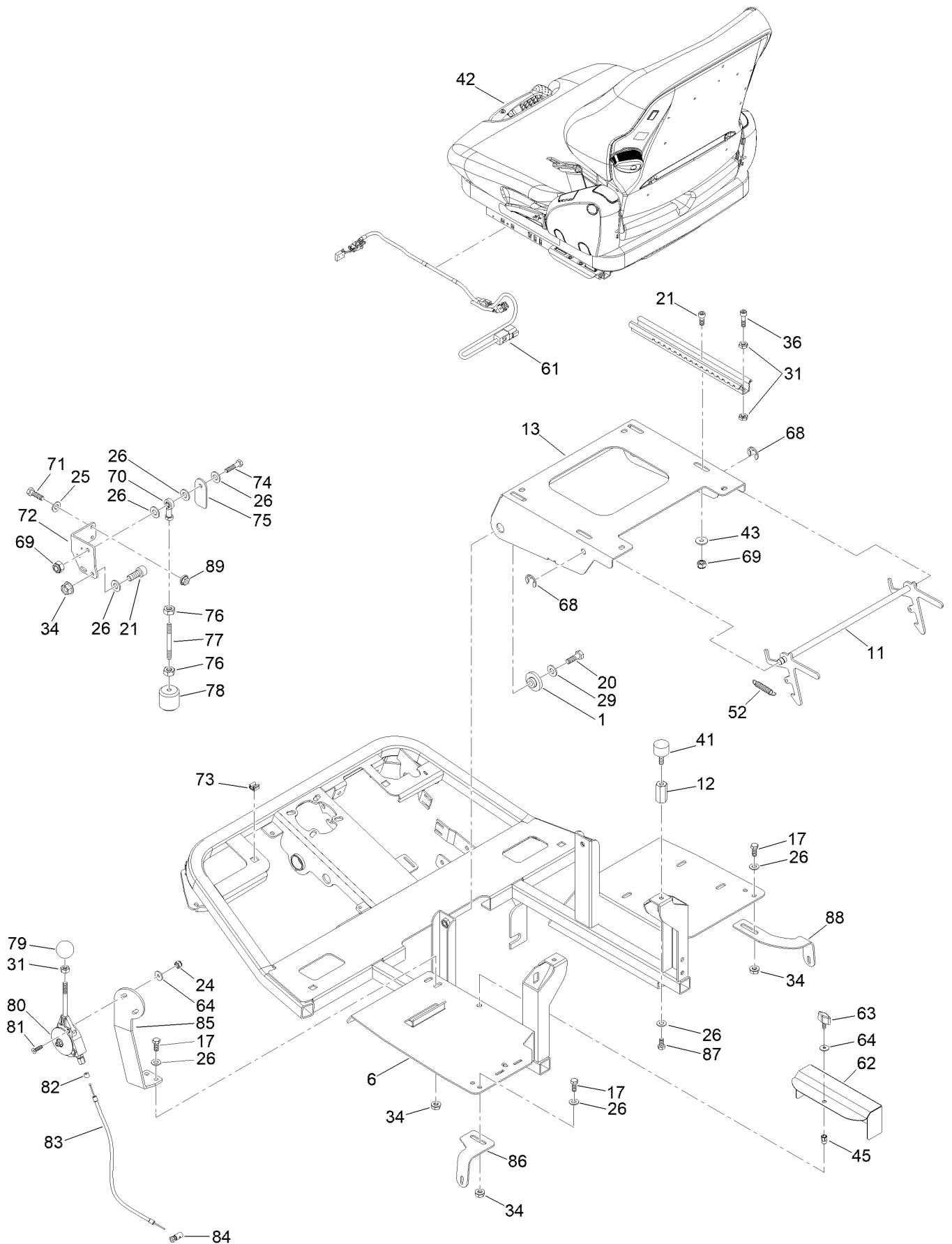




## Frame Assembly (continued)

| <i>Ref.</i> | <i>Part Number</i> | <i>Qty.</i> | <i>Description</i>  | <i>Ref.</i> | <i>Part Number</i> | <i>Qty.</i> | <i>Description</i>       |
|-------------|--------------------|-------------|---------------------|-------------|--------------------|-------------|--------------------------|
| 2           | 134-0796           | 1           | Cover-Engine, Rear  | 37          | 134-1116           | 2           | Screw                    |
| 3           | 134-0797           | 1           | Hood                | 38          | 134-1140           | 1           | Handle                   |
| 4           | 134-0798           | 1           | Cover-Engine, Front | 39          | 134-1147           | 2           | Hinge-Plastic            |
| 7           | 134-3963           | 1           | Frame               | 40          | 134-1152           | 2           | Collar                   |
| 8           | 134-0874           | 1           | Bumper              | 46          | 134-1262           | 1           | Clamp                    |
| 10          | 134-0904           | 1           | Bar-Tow             | 47          | 134-1274           | 2           | Plate-Small              |
| 14          | 134-0974           | 1           | Bracket             | 48          | 134-1297           | 4           | Screw                    |
| 15          | 134-0975           | 1           | Plate-Tow           | 49          | 134-1304           | 7           | Screw                    |
| 16          | 134-1009           | 1           | Screw               | 51          | 134-1326           | 1           | Magnet                   |
| 17          | 134-1011           | 1           | Screw               | 53          | 134-0584           | 1           | Valve-Lock, Differential |
| 19          | 134-1019           | 2           | Screw               | 53:1        | 134-3095           | 1           | Hydraulic Comp           |
| 22          | 134-1027           | 6           | Screw               | 55          | 134-3007           | 1           | Plug-Rubber              |
| 23          | 134-1041           | 3           | Nut                 | 56          | 134-3008           | 2           | Screw                    |
| 24          | 134-1042           | 4           | Nut                 | 58          | 134-3009           | 2           | Nut                      |
| 25          | 134-1044           | 9           | Washer              | 64          | 134-1234           | 2           | Washer                   |
| 26          | 134-1045           | 7           | Washer              | 65          | 134-1194           | 7           | Insert-Threaded          |
| 27          | 134-1046           | 14          | Washer              | 66          | 134-8130           | 3           | Trim-Edge, Frame         |
| 32          | 134-1079           | 8           | Nut                 | 67          | 134-8134           | 4           | Screw-HH                 |
| 34          | 134-1082           | 1           | Nut                 |             |                    |             |                          |

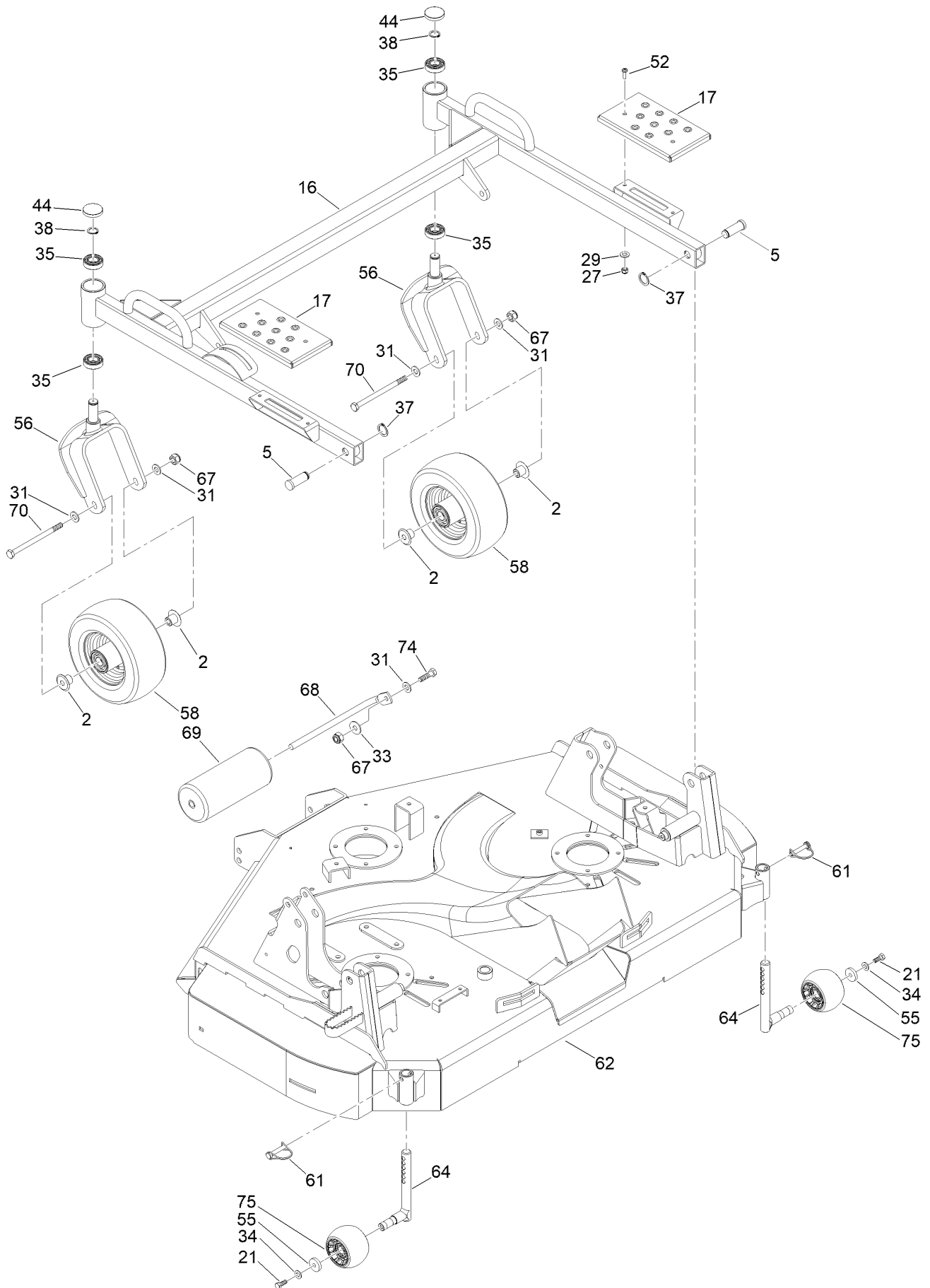
# Seat Assembly



## Seat Assembly (continued)

| <i>Ref.</i> | <i>Part Number</i> | <i>Qty.</i> | <i>Description</i>   | <i>Ref.</i> | <i>Part Number</i> | <i>Qty.</i> | <i>Description</i> |
|-------------|--------------------|-------------|----------------------|-------------|--------------------|-------------|--------------------|
| 1           | 134-0689           | 1           | Bushing              | 64          | 134-1234           | 3           | Washer             |
| 6           | 134-0837           | 1           | Footrest             | 68          | 134-1099           | 2           | Ring-Snap          |
| 11          | 134-0911           | 1           | Hook-Seat            | 69          | 134-1038           | 5           | Nut                |
| 12          | 134-0912           | 1           | Column               | 70          | 134-1259           | 1           | Head-Cylinder      |
| 13          | 134-0941           | 1           | Support-Seat         | 71          | 134-1008           | 2           | Screw              |
| 17          | 134-1011           | 6           | Screw                | 72          | 134-0952           | 1           | Bracket            |
| 20          | 134-1023           | 1           | Screw                | 73          | 134-1086           | 4           | Nut-Cage           |
| 21          | 134-1026           | 6           | Screw                | 74          | 134-1014           | 1           | Screw              |
| 24          | 134-1042           | 2           | Nut                  | 75          | 134-0845           | 1           | Support-Lock, Diff |
| 25          | 134-1044           | 2           | Washer               | 76          | 134-1034           | 2           | Nut                |
| 26          | 134-1045           | 12          | Washer               | 77          | 134-0735           | 1           | Rod                |
| 29          | 134-1051           | 1           | Washer               | 78          | 134-0736           | 1           | Rocker             |
| 31          | 134-1078           | 3           | Nut                  | 79          | 134-1146           | 1           | Ball               |
| 34          | 134-1082           | 8           | Nut                  | 80          | 134-0568           | 1           | Lever-Throttle     |
| 36          | 134-1115           | 1           | Screw                | 81          | 134-3111           | 2           | Screw              |
| 41          | 134-1163           | 1           | Pad-Rubber           | 82          | 134-8129           | 1           | Cable-End, Nipple  |
| 42          | 134-1171           | 1           | Seat-Grammer         | 83          | 134-0953           | 1           | Cable              |
| 43          | 134-3126           | 4           | Washer               | 84          | 134-8128           | 1           | Cable-Clamp        |
| 45          | 134-1257           | 1           | Insert-Threaded      | 85          | 134-0772           | 1           | Support-Throttle   |
| 52          | 134-1353           | 1           | Spring               | 86          | 134-0828           | 1           | Bracket            |
| 61          | 134-3967           | 1           | Seat-Switch          | 87          | 134-1010           | 1           | Screw              |
| 62          | 134-4870           | 1           | Bracket-Relay, Cover | 88          | 134-0895           | 1           | Bracket            |
| 63          | 134-1148           | 1           | Knob                 | 89          | 134-1084           | 2           | Nut                |

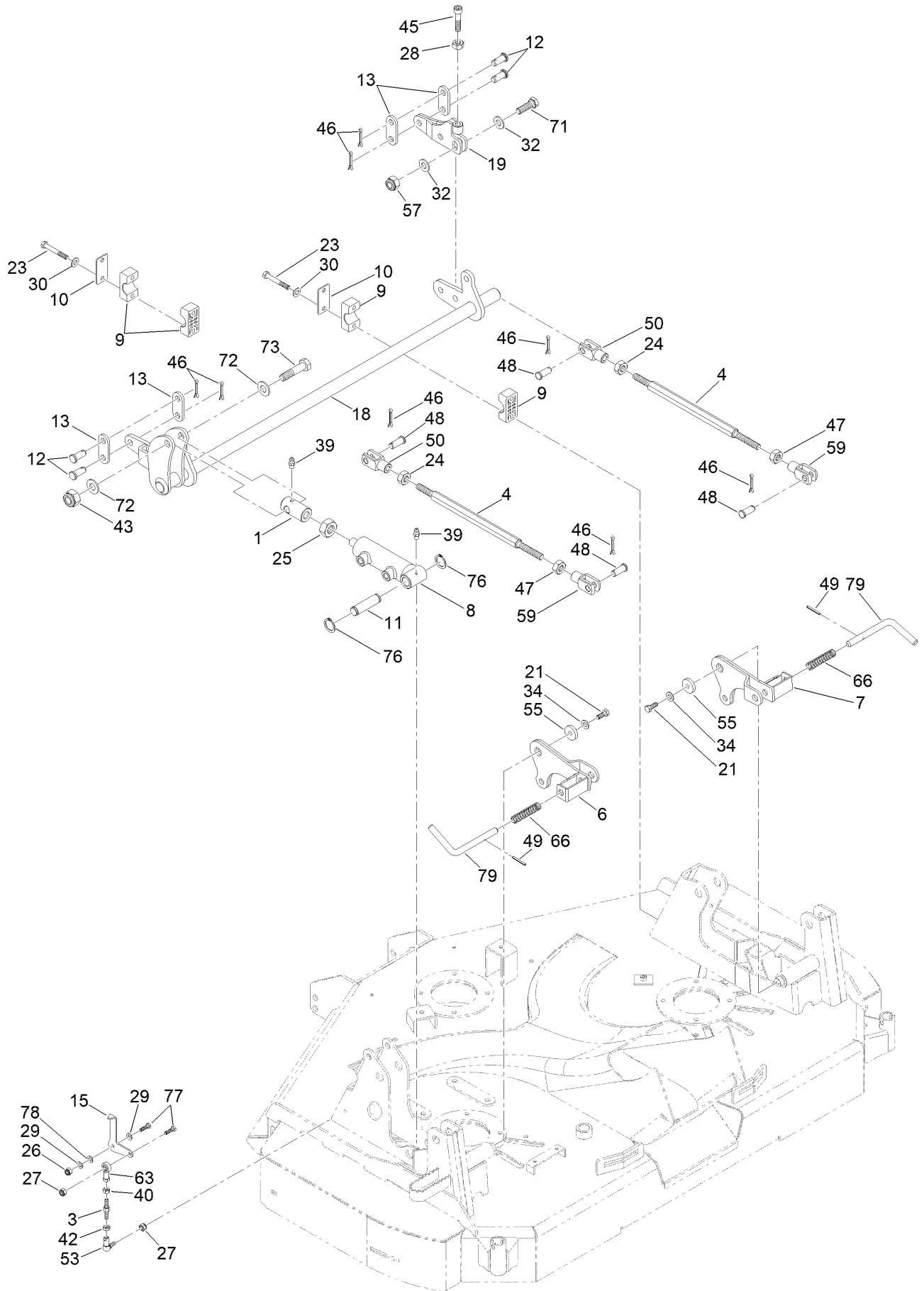
# Flat Frame Assembly No. 1



## Flat Frame Assembly No. 1 (continued)

| <i>Ref.</i> | <i>Part Number</i> | <i>Qty.</i> | <i>Description</i>  | <i>Ref.</i> | <i>Part Number</i> | <i>Qty.</i> | <i>Description</i>   |
|-------------|--------------------|-------------|---------------------|-------------|--------------------|-------------|----------------------|
| 2           | 134-0731           | 4           | Bushing             | 52          | 134-1304           | 2           | Screw                |
| 5           | 134-0742           | 2           | Pin                 | 55          | 134-1355           | 2           | Washer               |
| 16          | 134-0935           | 1           | Frame               | 56          | 134-0662           | 2           | Yoke-Deck, Cutter    |
| 17          | 134-0936           | 2           | Footrest            | 58          | 134-1363           | 2           | Wheel                |
| 21          | 134-1011           | 2           | Screw               | 61          | 134-0593           | 2           | Pin                  |
| 27          | 134-1042           | 2           | Nut                 | 62          | 134-0661           | 1           | Fairing-Deck, Cutter |
| 29          | 134-1044           | 2           | Washer              | 64          | 134-0642           | 2           | Pin                  |
| 31          | 134-1046           | 5           | Washer              | 67          | 134-1079           | 3           | Nut                  |
| 33          | 134-1048           | 1           | Washer              | 68          | 68-6840            | 1           | Shaft-Roller         |
| 34          | 134-1054           | 2           | Washer              | 69          | 68-6710            | 1           | Roller               |
| 35          | 134-1055           | 4           | Bearing             | 70          | 134-3010           | 2           | Screw                |
| 37          | 134-1059           | 2           | Ring-Retaining, Int | 74          | 134-1019           | 1           | Screw                |
| 38          | 134-1060           | 2           | Ring-Retaining, Int | 75          | 134-0639           | 2           | Wheel-Anti Scalp     |
| 44          | 134-1097           | 2           | Cap                 |             |                    |             |                      |

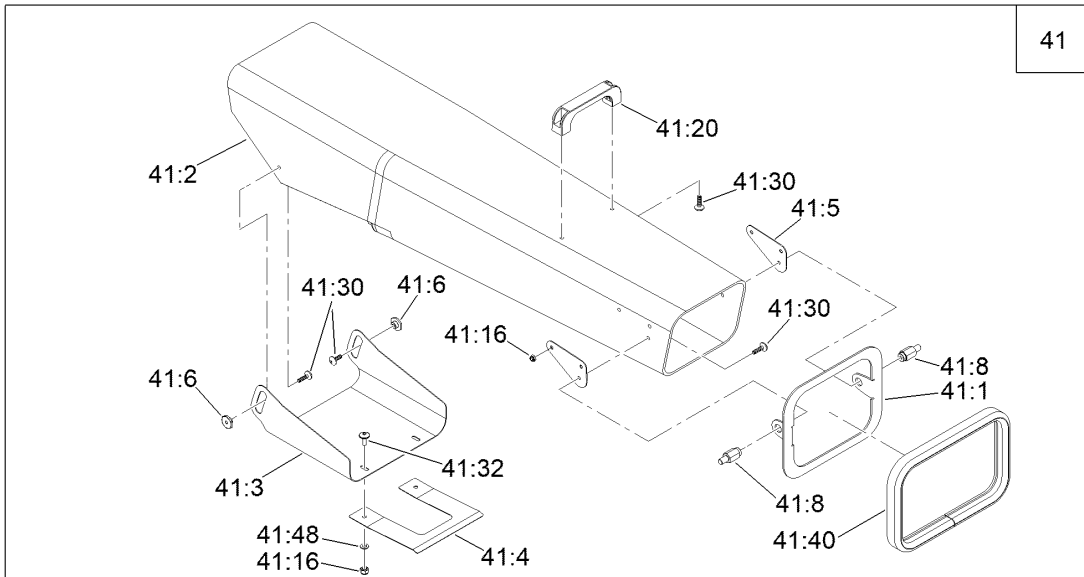
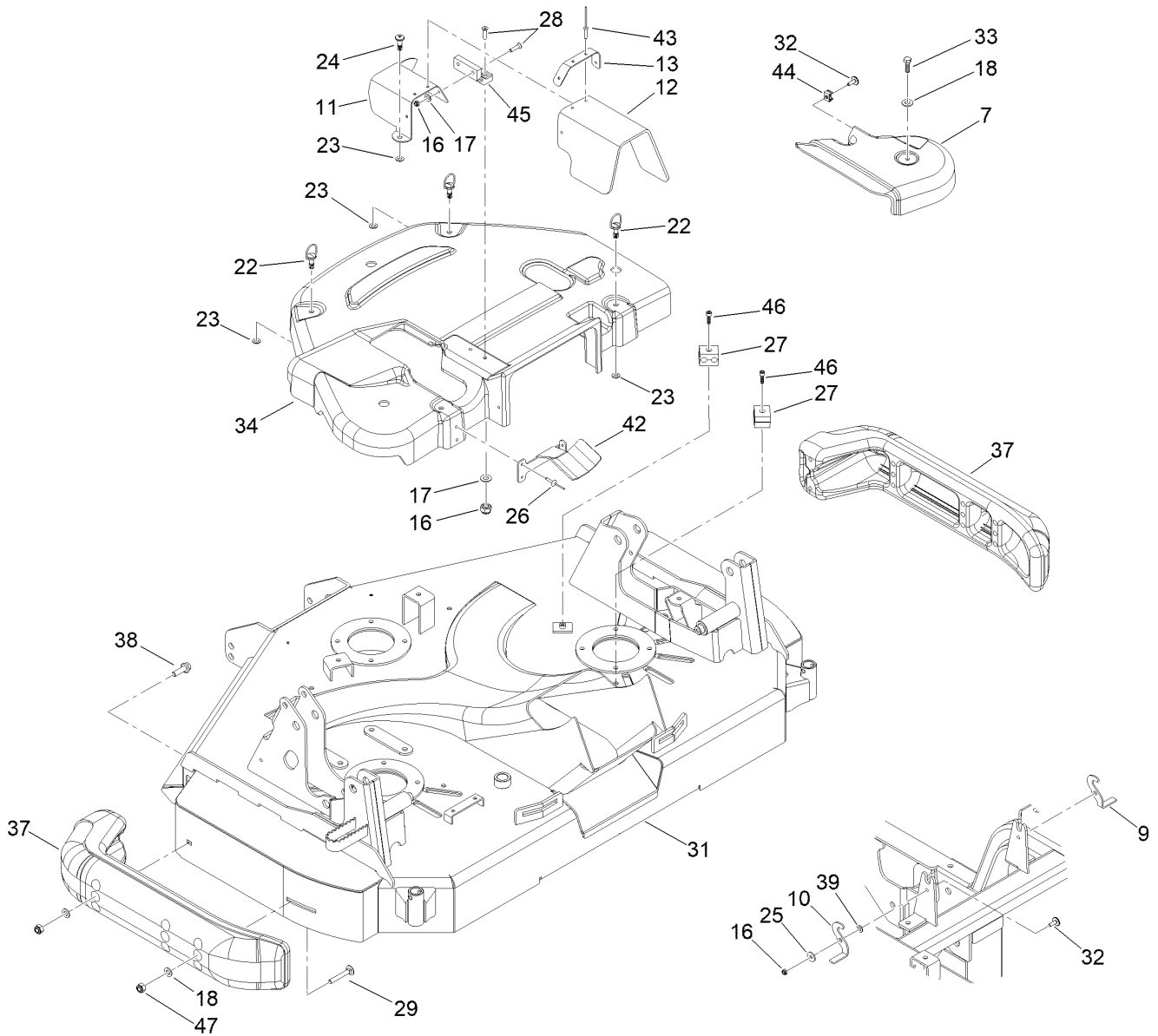
# Flat Frame Assembly No. 2



## Flat Frame Assembly No. 2 (continued)

| <i>Ref.</i> | <i>Part Number</i> | <i>Qty.</i> | <i>Description</i> | <i>Ref.</i> | <i>Part Number</i> | <i>Qty.</i> | <i>Description</i> |
|-------------|--------------------|-------------|--------------------|-------------|--------------------|-------------|--------------------|
| 1           | 134-0692           | 1           | Support            | 34          | 134-1054           | 2           | Washer             |
| 3           | 134-0738           | 1           | Indicator-HOC      | 39          | 134-1065           | 2           | Fitting-Grease     |
| 4           | 134-0739           | 2           | Rod                | 40          | 134-1080           | 1           | Nut                |
| 6           | 134-0806           | 1           | Lever              | 42          | 134-1083           | 1           | Nut                |
| 7           | 134-0807           | 1           | Lever              | 43          | 134-1090           | 1           | Nut                |
| 8           | 134-0826           | 1           | Cylinder-HYD       | 45          | 134-1114           | 1           | Screw              |
| 9           | 134-0829           | 4           | Block              | 46          | 134-1131           | 8           | Pin-Spring         |
| 10          | 134-0856           | 2           | Plate-Small        | 47          | 134-1165           | 2           | Nut                |
| 11          | 134-0859           | 1           | Pin                | 48          | 134-1182           | 4           | Pin                |
| 12          | 134-0865           | 4           | Pin                | 49          | 134-1205           | 2           | Plug-Spirol        |
| 13          | 134-0901           | 4           | Plate-Small        | 50          | 134-1251           | 2           | Fork-Clevis, M12   |
| 15          | 134-0903           | 1           | Indicator-HOC      | 53          | 134-1327           | 1           | Articulation       |
| 18          | 134-0944           | 1           | Bracket            | 55          | 134-1355           | 2           | Washer             |
| 19          | 134-0951           | 1           | Bracket            | 57          | 134-0561           | 1           | Nut                |
| 21          | 134-1011           | 2           | Screw              | 59          | 134-0616           | 2           | Yoke-LH            |
| 23          | 134-1024           | 4           | Screw              | 63          | 134-0592           | 1           | Head-Joint         |
| 24          | 134-1035           | 2           | Nut                | 66          | 134-0641           | 2           | Spring             |
| 25          | 134-1037           | 1           | Nut                | 71          | 134-3011           | 1           | Screw-HH           |
| 26          | 134-1041           | 1           | Nut                | 72          | 134-3012           | 2           | Washer             |
| 27          | 134-1042           | 2           | Nut                | 73          | 134-3013           | 1           | Screw-HH           |
| 28          | 134-1043           | 1           | Nut                | 76          | 134-2964           | 2           | Ring-Snap          |
| 29          | 134-1044           | 2           | Washer             | 77          | 134-1009           | 2           | Screw              |
| 30          | 134-1045           | 4           | Washer             | 78          | 134-3027           | 1           | Washer-Wave        |
| 32          | 134-1047           | 2           | Washer             | 79          | 134-0660           | 2           | Pin-Unhooking      |

# Grass Conveyor Hood Assembly

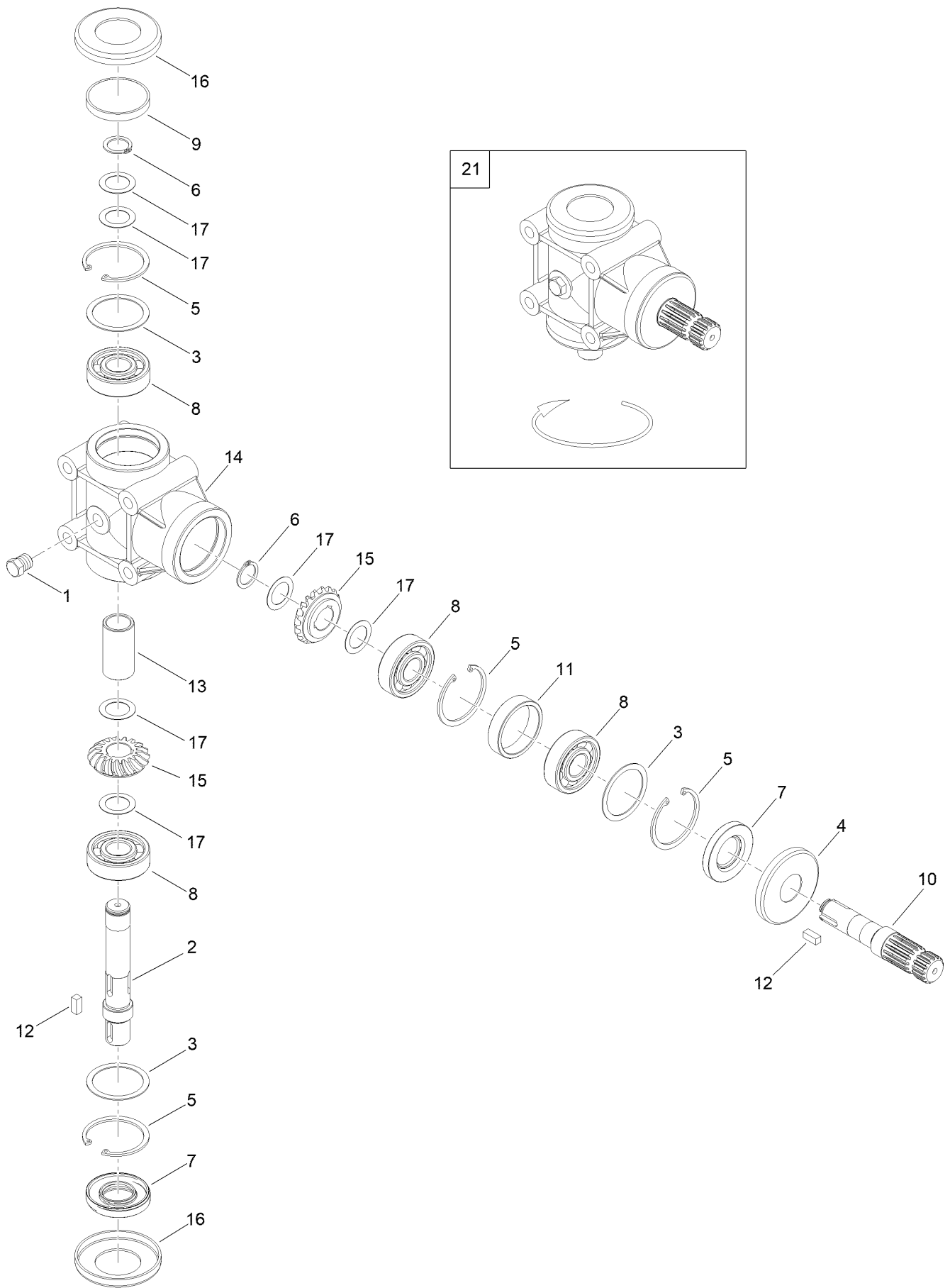




## Grass Conveyor Hood Assembly (continued)

| <i>Ref.</i> | <i>Part Number</i> | <i>Qty.</i> | <i>Description</i>     | <i>Ref.</i> | <i>Part Number</i> | <i>Qty.</i> | <i>Description</i> |
|-------------|--------------------|-------------|------------------------|-------------|--------------------|-------------|--------------------|
| 7           | 134-0831           | 1           | Cover                  | 38          | 9136144            | 1           | Screw-HWHTF        |
| 9           | 134-0917           | 1           | Hook-Chute, RH         | 39          | 134-3027           | 1           | Washer-Wave        |
| 10          | 134-0918           | 1           | Hook-Chute, LH         | 41          | 134-3029           | 1           | Grass Conveyor ASM |
| 11          | 134-0962           | 1           | Guard-Cable            | 41:1        | 134-0793           | 1           | Bracket            |
| 12          | 134-0963           | 1           | Grommet-Rubber, Fender | 41:2        | 134-1995           | 1           | Chute-Grass        |
| 13          | 134-0964           | 1           | Bracket                | 41:3        | 134-1994           | 1           | Bracket-Chute      |
| 16          | 134-1042           | 5           | Nut                    | 41:4        | 134-0801           | 1           | Plate              |
| 17          | 134-1044           | 4           | Washer                 | 41:5        | 134-0802           | 2           | Bracket            |
| 18          | 134-1045           | 3           | Washer                 | 41:6        | 134-0803           | 2           | Pin                |
| 22          | 134-1191           | 3           | Pin                    | 41:8        | 134-0882           | 2           | Pin                |
| 23          | 134-1192           | 4           | Washer                 | 41:16       | 134-1042           | 4           | Nut                |
| 24          | 134-1196           | 1           | Pin                    | 41:20       | 134-1140           | 1           | Handle             |
| 25          | 134-1234           | 1           | Washer                 | 41:30       | 134-1314           | 7           | Screw              |
| 26          | 134-1246           | 3           | Rivet                  | 41:32       | 134-1304           | 2           | Screw              |
| 27          | 134-1248           | 2           | Collar                 | 41:40       | 134-3028           | 1           | Rubber Seal-Chute  |
| 28          | 134-1297           | 4           | Screw                  | 41:48       | 134-1232           | 2           | Washer             |
| 29          | 134-1300           | 2           | Screw                  | 42          | 134-0966           | 1           | Protector-Hose     |
| 31          | 134-0661           | 1           | Fairing-Deck, Cutter   | 43          | 134-1240           | 4           | Rivet              |
| 32          | 134-1304           | 2           | Screw                  | 44          | 134-1086           | 1           | Nut-Cage           |
| 33          | 134-3021           | 1           | Screw                  | 45          | 134-1150           | 1           | Hinge-Plastic      |
| 34          | 134-4867           | 1           | Fairing-Deck, Cutting  | 46          | 134-1071           | 2           | Screw              |
| 37          | 112-1479           | 2           | Skid-Bumper, Deck      | 47          | 134-1092           | 1           | Nut                |

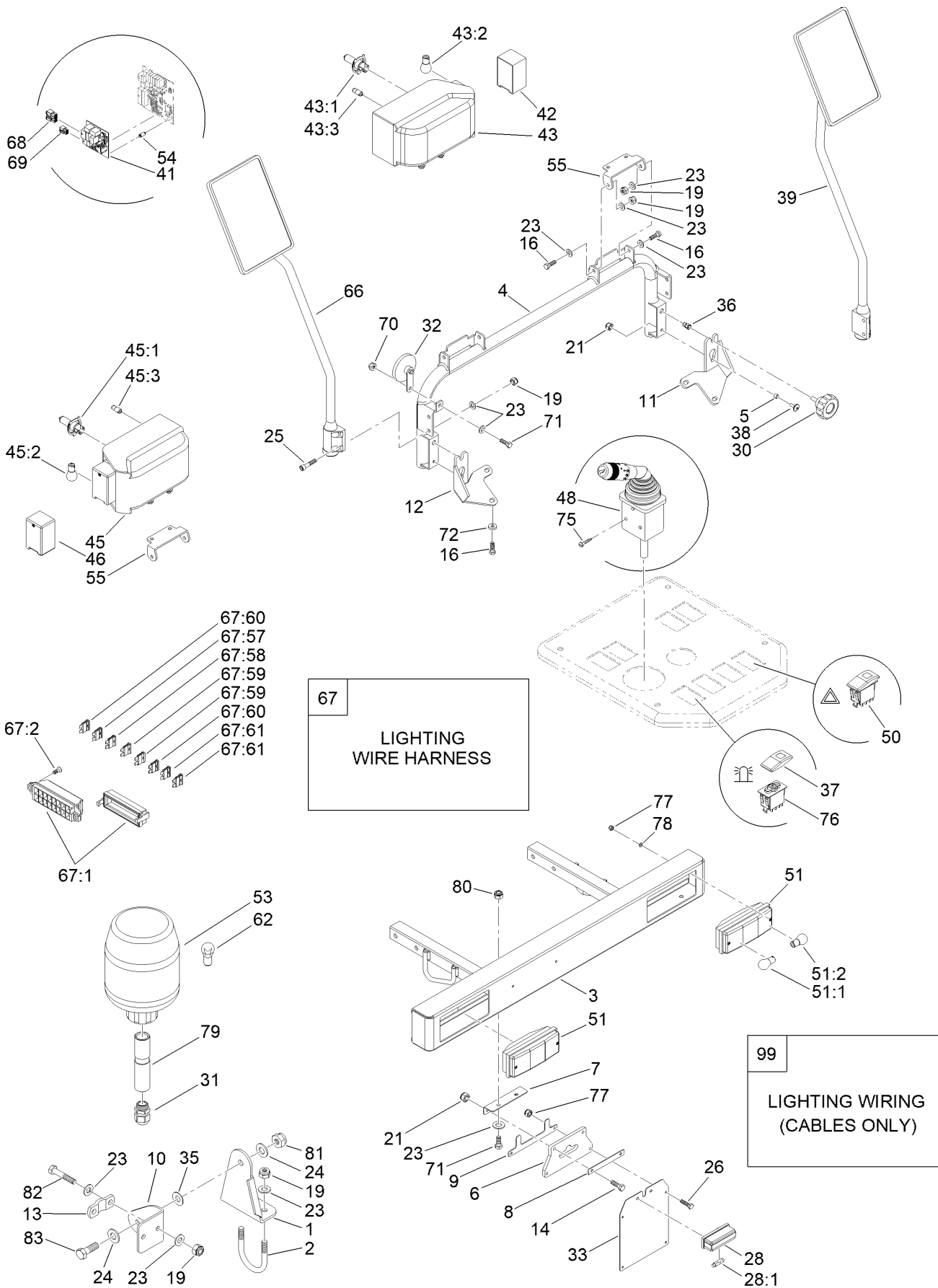
# Gearbox Assembly No. 134-0623



## Gearbox Assembly No. 134-0623 (continued)

| <i>Ref.</i> | <i>Part Number</i> | <i>Qty.</i> | <i>Description</i>  | <i>Ref.</i> | <i>Part Number</i> | <i>Qty.</i> | <i>Description</i> |
|-------------|--------------------|-------------|---------------------|-------------|--------------------|-------------|--------------------|
| 1           | 134-7645           | 1           | Plug, Gearbox       | 10          | 134-1339           | 1           | Shaft              |
| 2           | 134-0702           | 1           | Shaft               | 11          | 134-1340           | 1           | Spacer             |
| 3           | 134-0996           | 3           | Spacer              | 12          | 134-1341           | 2           | Key-Shaft          |
| 4           | 134-1001           | 1           | Cover               | 13          | 134-1342           | 1           | Spacer             |
| 5           | 134-1057           | 4           | Ring-Retaining, Int | 14          | 134-1343           | 1           | Cover              |
| 6           | 134-1060           | 2           | Ring-Retaining, Int | 15          | 134-1344           | 1           | Gear-Set           |
| 7           | 134-1096           | 2           | Seal                | 16          | 134-1345           | 2           | Cover              |
| 8           | 134-1110           | 4           | Bearing             | 17          | 134-1354           | 5           | Spacer             |
| 9           | 134-1238           | 1           | Cap                 | 21          | 134-0623           | 1           | Gearbox ASM        |

# Lighting Assembly

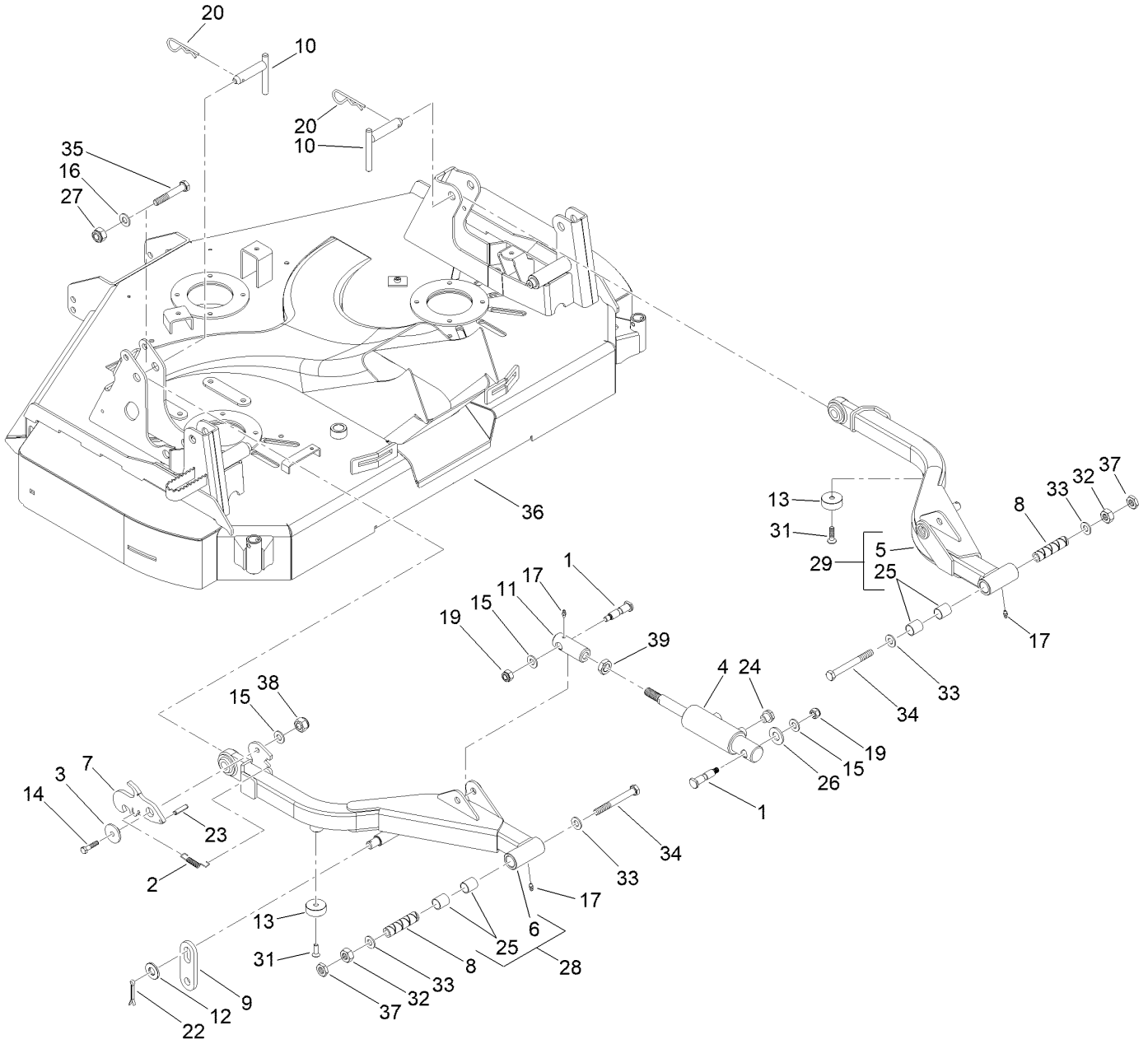


## Lighting Assembly (continued)

| <i>Ref.</i> | <i>Part Number</i> | <i>Qty.</i> | <i>Description</i>           | <i>Ref.</i> | <i>Part Number</i> | <i>Qty.</i> | <i>Description</i>                   |
|-------------|--------------------|-------------|------------------------------|-------------|--------------------|-------------|--------------------------------------|
| 1           | 134-0748           | 1           | Bracket                      | 45:1        | 134-0590           | 1           | Bulb-Headlight, Main                 |
| 2           | 134-0749           | 1           | Jumper-Turn Light            | 45:2        | 134-0566           | 1           | Bulb-Indicator                       |
| 3           | 134-0874           | 1           | Bumper                       | 45:3        | 134-3036           | 1           | Bulb-Side                            |
| 4           | 134-0876           | 1           | Bar-Lights, Front            | 46          | 134-0669           | 1           | Indicator-LH                         |
| 5           | 134-0877           | 1           | Spacer                       | 48          | 134-0613           | 1           | Control-Switch, Signal, Lights, Horn |
| 6           | 134-0922           | 1           | Plate-License, Rubber        | 50          | 134-0608           | 1           | Switch-Hazard                        |
| 7           | 134-0923           | 1           | Bracket                      | 51          | 134-0564           | 2           | Tail Light                           |
| 8           | 134-0924           | 1           | Bracket                      | 51:1        | 134-0565           | 1           | Bulb-Light, Side, Brake              |
| 9           | 134-0925           | 1           | Bracket                      | 51:2        | 134-0566           | 1           | Bulb-Indicator                       |
| 10          | 134-0972           | 1           | Bracket                      | 53          | 134-0587           | 1           | Beacon-Rotating                      |
| 11          | 134-0992           | 1           | Bracket                      | 54          | 134-3034           | 1           | Pin-Plastic                          |
| 12          | 134-0993           | 1           | Bracket                      | 55          | 134-0878           | 2           | Bracket                              |
| 13          | 134-1000           | 1           | Plate-Small                  | 62          | 134-3042           | 1           | Bulb-Beacon                          |
| 14          | 134-1009           | 1           | Screw                        | 66          | 134-1276           | 1           | Mirror-Rear View                     |
| 16          | 134-1015           | 3           | Screw                        | 67          | 134-0596           | 1           | Wiring-Lights ●                      |
| 19          | 134-1038           | 5           | Nut                          | 67:1        | 134-2988           | 1           | Box-Fuse                             |
| 21          | 134-1042           | 2           | Nut                          | 67:2        | 134-2987           | 1           | Screw                                |
| 23          | 134-1045           | 9           | Washer                       | 67:57       | 134-2983           | 1           | Fuse 5A                              |
| 24          | 134-1046           | 2           | Washer                       | 67:58       | 134-3037           | 1           | Fuse-7.5A                            |
| 25          | 134-1068           | 1           | Screw                        | 67:59       | 134-3038           | 2           | Fuse-10A                             |
| 26          | 134-1074           | 1           | Screw                        | 67:60       | 134-2985           | 2           | Fuse 15A                             |
| 28          | 134-1089           | 1           | Lamp-License Plate           | 67:61       | 134-2986           | 2           | Fuse-Blade, 3 Amp                    |
| 28:1        | 134-3045           | 1           | Bulb-Licence                 | 68          | 134-8259           | 1           | Connector ASM-Ecu, Light             |
| 30          | 134-1178           | 1           | Knob                         | 69          | 134-8260           | 1           | Connector ASM-Ecu, Light             |
| 31          | 134-1223           | 1           | Fitting-Union                | 70          | 134-1082           | 2           | Nut                                  |
| 32          | 134-1224           | 1           | Horn                         | 71          | 134-1010           | 2           | Screw                                |
| 33          | 134-1226           | 1           | Plate-Support                | 72          | 134-0997           | 1           | Washer                               |
| 35          | 134-1237           | 1           | Washer-Belleville            | 75          | 134-8235           | 1           | Screw-Pan                            |
| 36          | 134-1260           | 1           | Insert-Threaded              | 76          | 134-3040           | 1           | Switch-Beacon                        |
| 37          | 134-1290           | 1           | Rocker-Switch, Beacon        | 77          | 134-1094           | 2           | Nut                                  |
| 38          | 134-1304           | 1           | Screw                        | 78          | 134-1049           | 1           | Washer                               |
| 39          | 134-1317           | 1           | Mirror-Rear View             | 79          | 134-1227           | 1           | Support                              |
| 41          | 134-0597           | 1           | Control Unit-Light, Electric | 80          | 134-1082           | 1           | Nut                                  |
| 42          | 134-0668           | 1           | Indicator-RH                 | 81          | 134-1079           | 1           | Nut                                  |
| 43          | 134-0588           | 1           | Headlight-RH                 | 82          | 134-1029           | 1           | Screw                                |
| 43:1        | 134-0590           | 1           | Bulb-Headlight, Main         | 83          | 134-1023           | 1           | Screw                                |
| 43:2        | 134-0566           | 1           | Bulb-Indicator               | 99          | 134-0600           | 1           | Wiring-Lights (Cables Only)          |
| 43:3        | 134-3036           | 1           | Bulb-Side                    |             |                    |             | ●                                    |
| 45          | 134-0589           | 1           | Headlight-LH                 |             |                    |             |                                      |

● Not illustrated

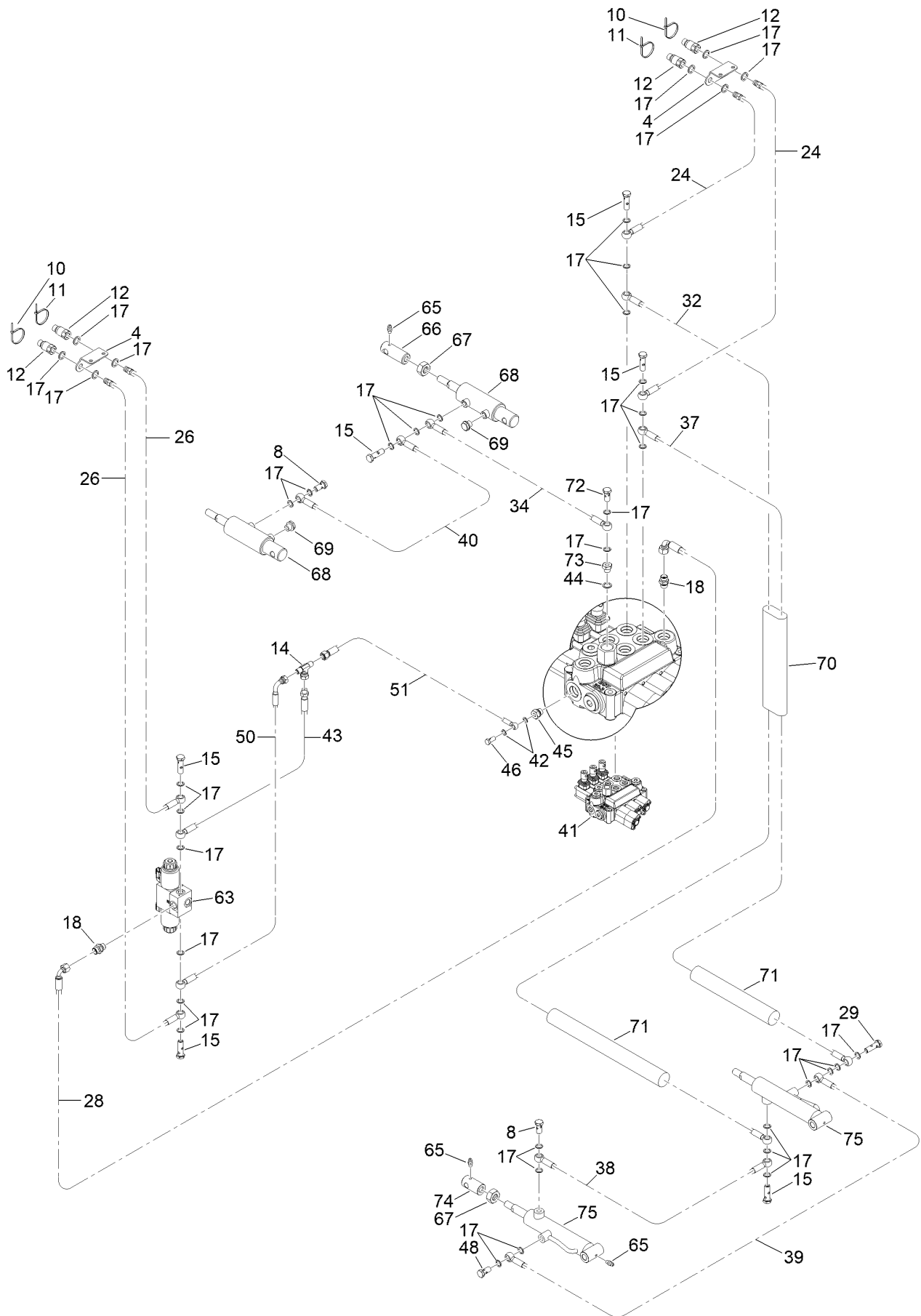
# Lift Arms Assembly



## Lift Arms Assembly (continued)

| <i>Ref.</i> | <i>Part Number</i> | <i>Qty.</i> | <i>Description</i>      | <i>Ref.</i> | <i>Part Number</i> | <i>Qty.</i> | <i>Description</i>      |
|-------------|--------------------|-------------|-------------------------|-------------|--------------------|-------------|-------------------------|
| 1           | 134-0693           | 2           | Pin                     | 20          | 134-1098           | 2           | Pin-Spring              |
| 2           | 134-0695           | 1           | Spring                  | 22          | 134-1131           | 2           | Pin-Spring              |
| 3           | 134-0710           | 1           | Bushing                 | 23          | 134-1136           | 1           | Plug-Spirol             |
| 4           | 134-0838           | 1           | Cylinder-HYD, Deck Lift | 24          | 134-1153           | 1           | Cap-Breather            |
| 5           | 134-0852           | 1           | Arm-Lift, RH            | 25          | 134-1187           | 4           | Bushing                 |
| 6           | 134-0853           | 1           | Arm-Lift, LH            | 26          | 134-3012           | 1           | Washer                  |
| 7           | 134-0881           | 1           | Lever-Hook              | 27          | 134-0561           | 1           | Nut                     |
| 8           | 134-0899           | 2           | Bushing                 | 28          | 134-3048           | 1           | Lift Arm ASM LH         |
| 9           | 134-0902           | 2           | Plate-Small             | 29          | 134-3046           | 1           | Lift Arm ASM RH         |
| 10          | 134-0915           | 2           | Pin                     | 31          | 134-8072           | 2           | Screw-Hscsk             |
| 11          | 134-0930           | 1           | Support                 | 32          | 134-8075           | 2           | Nut-Hex                 |
| 12          | 134-0977           | 2           | Washer-Plastic          | 33          | 134-8073           | 4           | Washer-Plain, Chamfered |
| 13          | 134-0990           | 2           | Washer-Rubber           | 34          | 134-8074           | 2           | Screw-HH                |
| 14          | 134-1019           | 1           | Screw                   | 35          | 134-3017           | 1           | Screw-HH                |
| 15          | 134-1046           | 3           | Washer                  | 36          | 134-0661           | 1           | Fairing-Deck, Cutter    |
| 16          | 134-1047           | 1           | Washer                  | 37          | 134-1035           | 2           | Nut                     |
| 17          | 134-1065           | 3           | Fitting-Grease          | 38          | 134-1079           | 1           | Nut                     |
| 19          | 134-1081           | 2           | Nut                     | 39          | 134-1037           | 1           | Nut                     |

# Lubrication Service Assembly No. 1

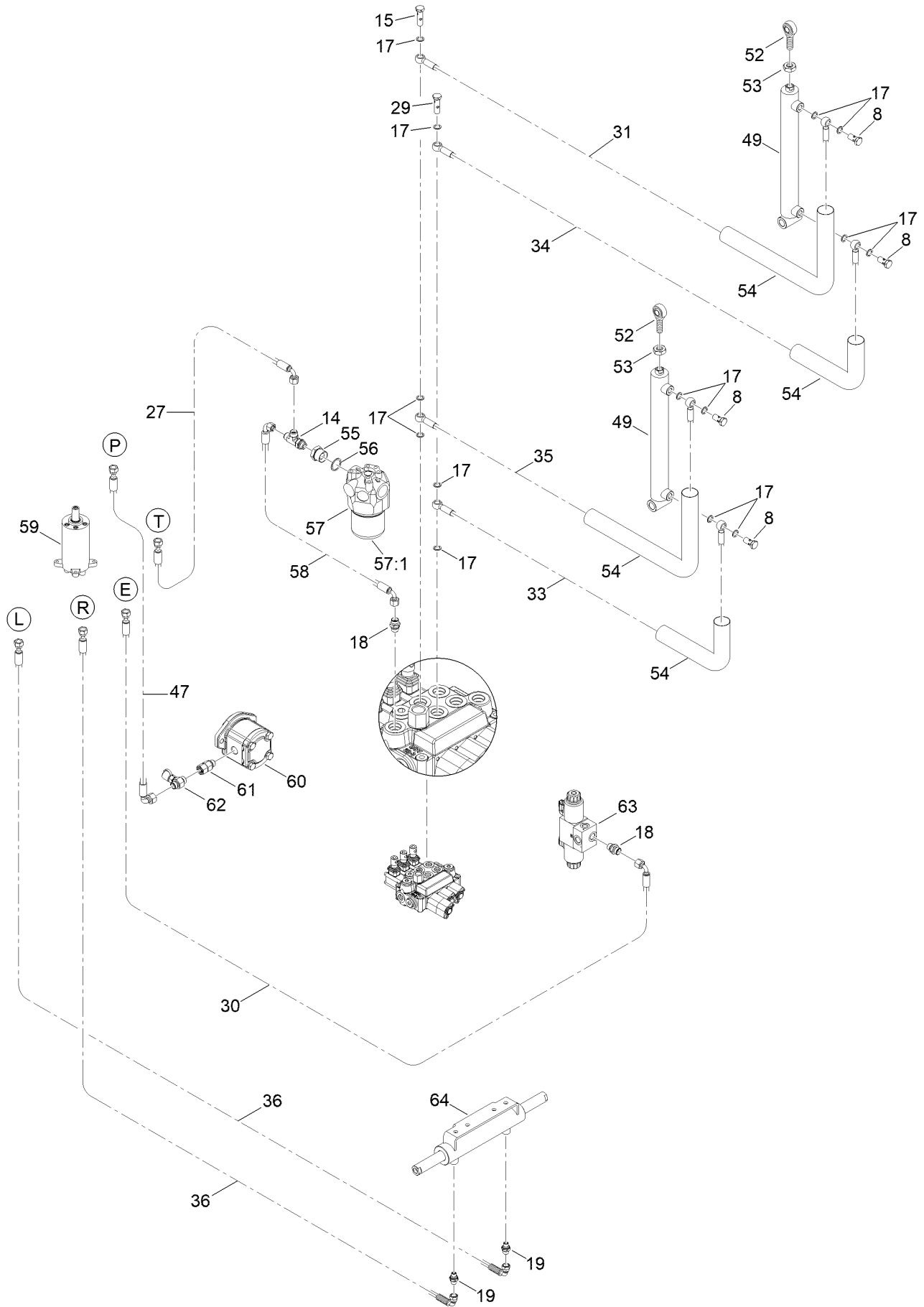




# Lubrication Service Assembly No. 1 (continued)

| <i>Ref.</i> | <i>Part Number</i> | <i>Qty.</i> | <i>Description</i>  | <i>Ref.</i> | <i>Part Number</i> | <i>Qty.</i> | <i>Description</i>              |
|-------------|--------------------|-------------|---------------------|-------------|--------------------|-------------|---------------------------------|
| 4           | 134-0960           | 2           | Bracket             | 43          | 134-7632           | 1           | Hose ASM-HYD                    |
| 8           | 134-1102           | 2           | Screw               | 44          | 134-7633           | 1           | Seal - 3/8"                     |
| 10          | 134-1169           | 2           | Clamp Red           | 45          | 134-7634           | 1           | Fitting-Straight                |
| 11          | 134-1170           | 2           | Clamp Blue          | 46          | 134-7635           | 1           | Fitting-Special                 |
| 12          | 134-1207           | 4           | Coupler-Quick, Male | 48          | 134-7804           | 1           | Fitting-Orifice                 |
| 14          | 134-7830           | 1           | Fitting-Tee         | 50          | 134-7806           | 1           | Hose ASM-HYD                    |
| 15          | 134-1245           | 6           | Screw               | 51          | 134-7805           | 1           | Hose ASM-HYD                    |
| 17          | 134-1255           | 38          | Washer              | 63          | 134-1209           | 1           | Valve-Electric                  |
| 18          | 134-1266           | 2           | Fitting-Nipple      | 65          | 134-1065           | 3           | Fitting-Grease                  |
| 24          | 134-3049           | 2           | Hydraulic Hose      | 66          | 134-0930           | 1           | Support                         |
| 26          | 134-3051           | 2           | Hydraulic Hose      | 67          | 134-1037           | 2           | Nut                             |
| 28          | 134-3053           | 1           | Hydraulic Hose      | 68          | 134-0838           | 2           | Cylinder-HYD, Deck Lift         |
| 29          | 134-3055           | 1           | Screw               | 69          | 134-1153           | 2           | Cap-Breather                    |
| 32          | 134-3059           | 1           | Hydraulic Hose      | 70          | 134-0987           | 5           | Protector-Hose                  |
| 34          | 134-3061           | 1           | Hydr Pipe 3/16 950  | 71          | 134-0988           | 2           | Protector-Hose                  |
| 37          | 134-3064           | 1           | Hydraulic Hose      | 72          | 134-3050           | 1           | Screw                           |
| 38          | 134-3065           | 1           | Hydraulic Hose      | 73          | 134-1247           | 1           | Fitting-Reducer                 |
| 39          | 134-3066           | 1           | Hydraulic Hose      | 74          | 134-0692           | 1           | Support                         |
| 40          | 134-3067           | 1           | Hydraulic Hose      | 75          | 134-0654           | 2           | Cylinder-Tipping, Grass Catcher |
| 41          | 134-0582           | 1           | Distributor         |             |                    |             |                                 |
| 42          | 134-7631           | 2           | Seal - 1/8"         |             |                    |             |                                 |

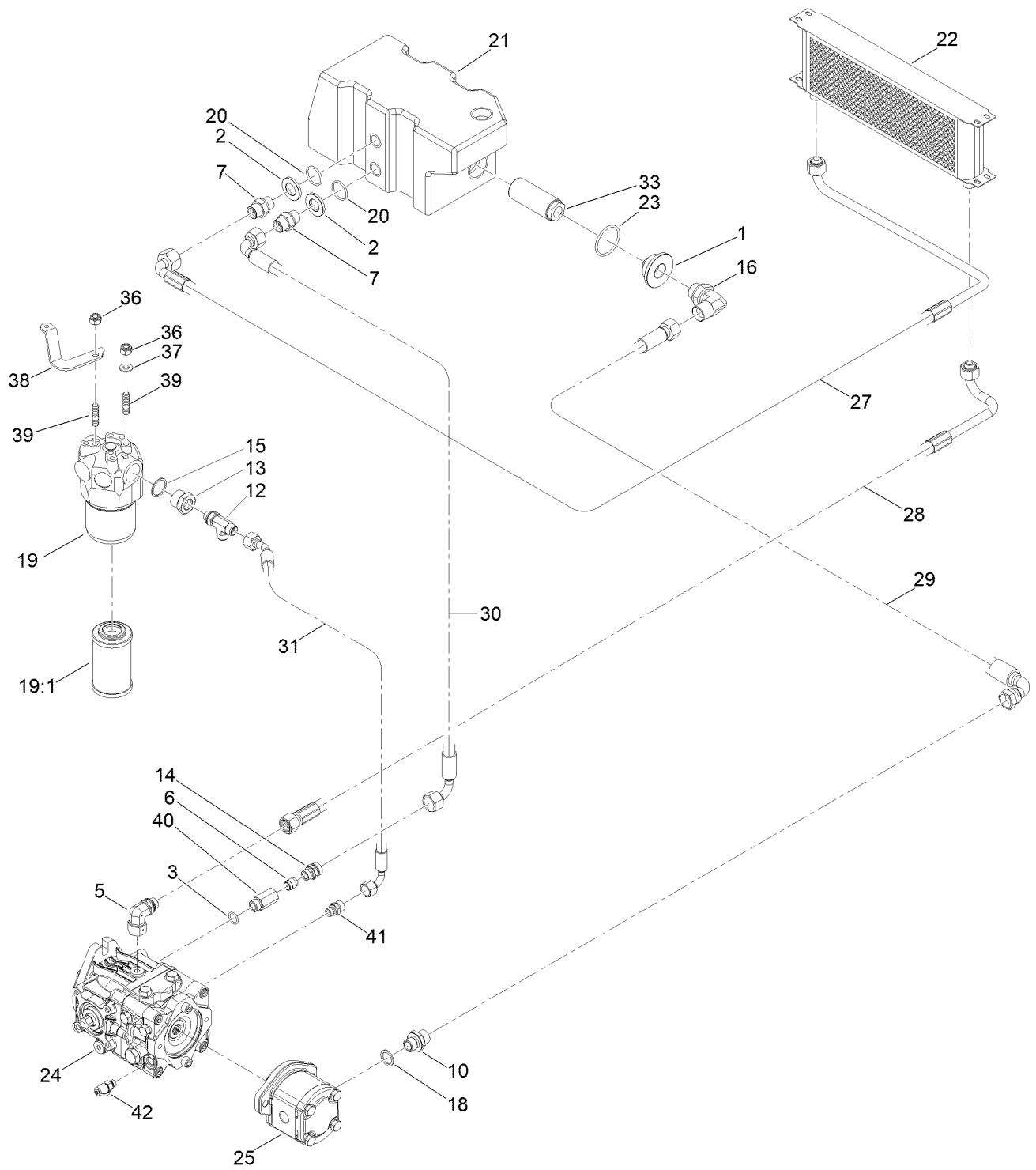
# Lubrication Service Assembly No. 2



## Lubrication Service Assembly No. 2 (continued)

| <i>Ref.</i> | <i>Part Number</i> | <i>Qty.</i> | <i>Description</i> | <i>Ref.</i> | <i>Part Number</i> | <i>Qty.</i> | <i>Description</i>         |
|-------------|--------------------|-------------|--------------------|-------------|--------------------|-------------|----------------------------|
| 8           | 134-1102           | 4           | Screw              | 49          | 134-0811           | 2           | Cylinder                   |
| 14          | 134-1218           | 1           | Adaptor-90 DEG     | 52          | 134-1328           | 2           | Joint-Ball                 |
| 15          | 134-1245           | 1           | Screw              | 53          | 134-1036           | 2           | Nut                        |
| 17          | 134-1255           | 14          | Washer             | 54          | 134-0983           | 4           | Protector-Hose             |
| 18          | 134-1266           | 2           | Fitting-Nipple     | 55          | 134-1219           | 1           | Fitting-Reducer            |
| 19          | 134-1270           | 2           | Fitting-Nipple     | 56          | 134-1256           | 1           | Washer                     |
| 27          | 134-3052           | 1           | Hydraulic Hose     | 57          | 134-8231           | 1           | Filter ASM                 |
| 29          | 134-3055           | 1           | Screw              | 57:1        | 134-1368           | 1           | Element-Filter , Hydraulic |
| 30          | 134-3056           | 1           | Hydraulic Hose     | 58          | 134-3069           | 1           | Hydraulic Hose             |
| 31          | 134-3057           | 1           | Hydraulic Hose     | 59          | 134-0581           | 1           | Drive-Hydraulic            |
| 33          | 134-3060           | 1           | Hydraulic Hose     | 60          | 134-0583           | 1           | Pump-Gear, Hydraulic       |
| 34          | 134-3061           | 1           | Hydr Pipe 3/16 950 | 61          | 134-1215           | 1           | Adaptor                    |
| 35          | 134-3062           | 1           | Hydraulic Hose     | 62          | 134-1214           | 1           | Adaptor                    |
| 36          | 134-3063           | 2           | Hydraulic Hose     | 63          | 134-1209           | 1           | Valve-Electric             |
| 47          | 134-7641           | 1           | Hose ASM-HYD       | 64          | 134-0657           | 1           | Piston-Steering            |

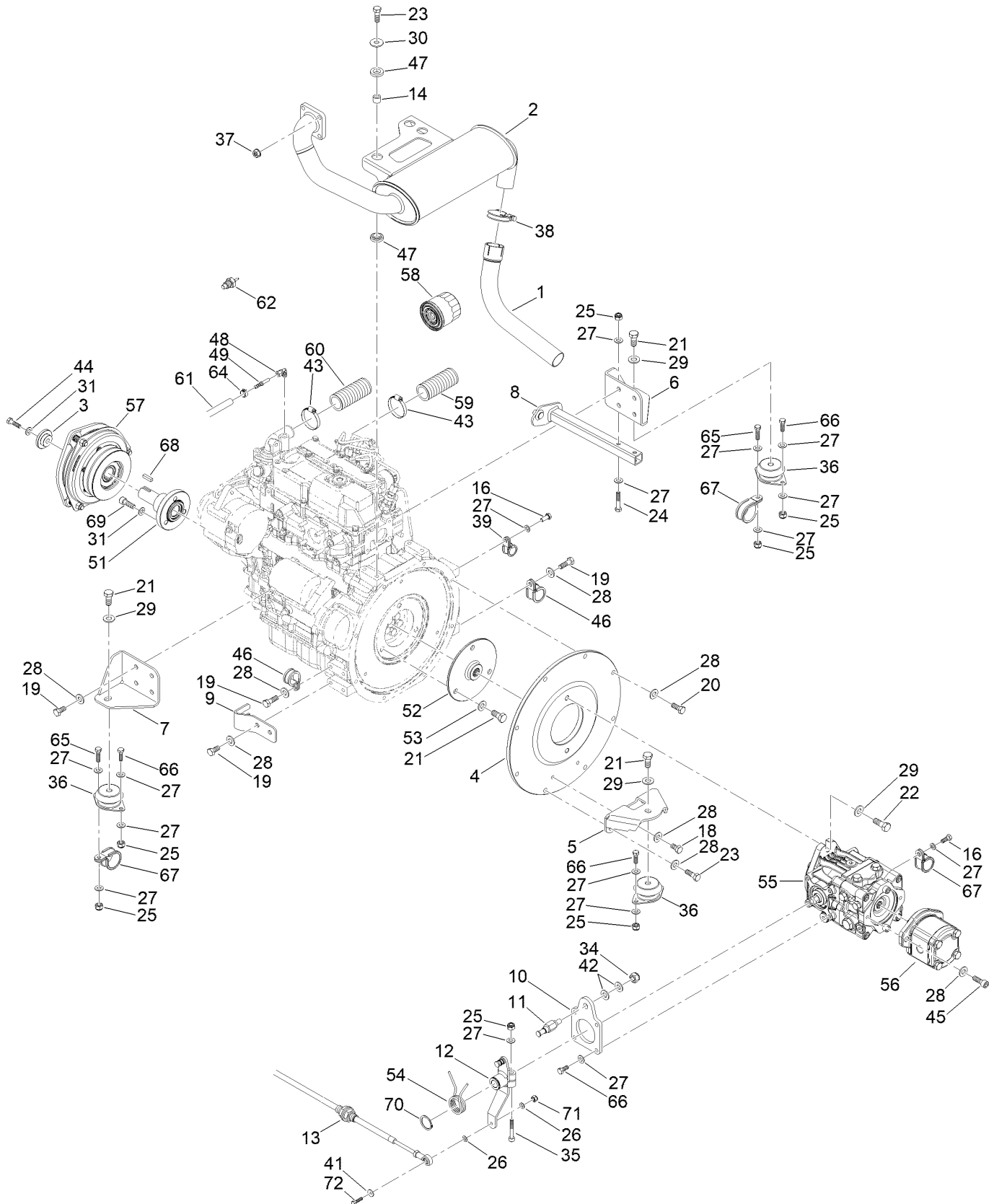
# Oil Filter System Assembly



## Oil Filter System Assembly (continued)

| <i>Ref.</i> | <i>Part Number</i> | <i>Qty.</i> | <i>Description</i>         | <i>Ref.</i> | <i>Part Number</i> | <i>Qty.</i> | <i>Description</i>     |
|-------------|--------------------|-------------|----------------------------|-------------|--------------------|-------------|------------------------|
| 1           | 134-0820           | 1           | Support-Filter, Oil        | 22          | 134-0625           | 1           | Cooler-Oil             |
| 2           | 134-0887           | 2           | Washer                     | 23          | 134-0617           | 1           | O-Ring                 |
| 3           | 134-1032           | 1           | O-Ring                     | 24          | 134-0580           | 1           | Pump-Drive             |
| 5           | 134-1211           | 1           | Adaptor-90 DEG             | 25          | 134-0583           | 1           | Pump-Gear, Hydraulic   |
| 6           | 134-1212           | 1           | Valve-One Direction Only   | 27          | 134-3070           | 1           | Hydraulic Hose         |
| 7           | 134-1213           | 1           | Fitting-Nipple             | 28          | 134-3071           | 1           | Hydraulic Hose         |
| 10          | 134-1216           | 1           | Fitting                    | 29          | 134-3072           | 1           | Hydraulic Hose         |
| 12          | 134-1218           | 1           | Adaptor-90 DEG             | 30          | 134-3073           | 1           | Hydraulic Hose         |
| 13          | 134-1219           | 1           | Fitting-Reducer            | 31          | 134-3074           | 1           | Hydraulic Hose         |
| 14          | 134-1220           | 1           | Fitting-Nipple             | 33          | 134-3123           | 1           | Filter-Tank, Hydraulic |
| 15          | 134-1256           | 1           | Washer                     | 36          | 134-1079           | 2           | Nut                    |
| 16          | 134-1275           | 1           | Adaptor-90 DEG             | 37          | 134-1046           | 1           | Washer                 |
| 18          | 134-1332           | 1           | Washer                     | 38          | 134-0919           | 1           | Bracket                |
| 19          | 134-8231           | 1           | Filter ASM                 | 39          | 134-1088           | 2           | Stud                   |
| 19:1        | 134-1368           | 1           | Element-Filter , Hydraulic | 40          | 134-0900           | 1           | Fitting-Reducer        |
| 20          | 134-0569           | 2           | O-Ring                     | 41          | 134-1268           | 1           | Fitting-Nipple         |
| 21          | 134-0635           | 1           | Tank-Oil                   | 42          | 134-8232           | 1           | Test Point             |

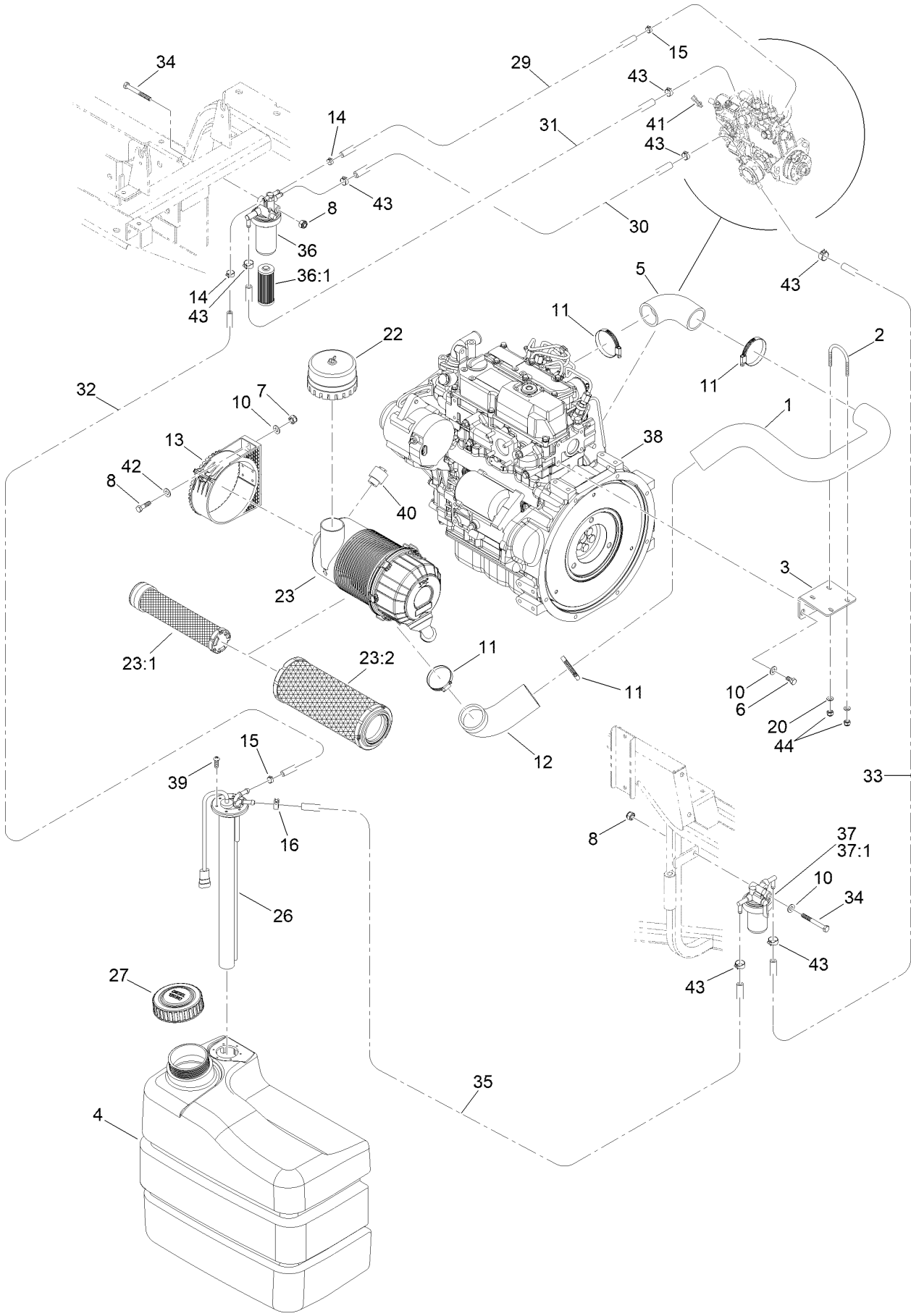
# Engine, Pump and Friction Assembly



## Engine, Pump and Friction Assembly (continued)

| <i>Ref.</i> | <i>Part Number</i> | <i>Qty.</i> | <i>Description</i>       | <i>Ref.</i> | <i>Part Number</i> | <i>Qty.</i> | <i>Description</i>   |
|-------------|--------------------|-------------|--------------------------|-------------|--------------------|-------------|----------------------|
| 1           | 134-0781           | 1           | Pipe-Exhaust             | 38          | 134-1195           | 1           | Clamp                |
| 2           | 134-0785           | 1           | Muffler                  | 39          | 134-1197           | 1           | Clamp                |
| 3           | 134-0819           | 1           | Bushing                  | 41          | 134-1234           | 1           | Washer               |
| 4           | 134-0821           | 1           | Plate, Mounting, Pump    | 42          | 134-1237           | 2           | Washer-Belleville    |
| 5           | 134-0822           | 1           | Support-Engine, Ctr      | 43          | 134-1277           | 2           | Clamp                |
| 6           | 134-0823           | 1           | Support-Engine, LH       | 44          | 134-1301           | 1           | Screw                |
| 7           | 134-0824           | 1           | Support-Engine, RH       | 45          | 134-1306           | 2           | Screw                |
| 8           | 134-0830           | 1           | Stop-Clutch              | 46          | 134-1321           | 2           | Clamp                |
| 9           | 134-0844           | 1           | Support                  | 47          | 134-1325           | 6           | Shock Absorber       |
| 10          | 134-0847           | 1           | Bracket                  | 48          | 134-1333           | 1           | Adaptor-90 DEG       |
| 11          | 134-0848           | 1           | Shaft-Neutral, Hydrostat | 49          | 134-1334           | 1           | Fitting              |
| 12          | 134-0849           | 1           | Lever-Forward, Pedal     | 51          | 134-3964           | 1           | Shaft-Drive          |
| 13          | 134-0854           | 1           | Cable-Forward            | 52          | 134-0633           | 1           | Joint                |
| 14          | 134-0862           | 3           | Spacer                   | 53          | 134-0591           | 3           | Washer               |
| 16          | 134-1011           | 2           | Screw                    | 54          | 134-0638           | 1           | Spring-Return        |
| 18          | 134-1016           | 2           | Screw                    | 55          | 134-0580           | 1           | Pump-Drive           |
| 19          | 134-1017           | 5           | Screw                    | 56          | 134-0583           | 1           | Pump-Gear, Hydraulic |
| 20          | 134-1018           | 6           | Screw                    | 57          | 134-0578           | 1           | Clutch               |
| 21          | 134-1020           | 6           | Screw                    | 58          | 135-4181           | 1           | Filter-Oil, Engine   |
| 22          | 134-1021           | 2           | Screw                    | 59          | 134-2977           | 1           | Pipe                 |
| 23          | 134-1023           | 5           | Screw                    | 60          | 134-2976           | 1           | Pipe                 |
| 24          | 134-1029           | 2           | Screw                    | 61          | 134-2978           | 1           | Pipe                 |
| 25          | 134-1038           | 8           | Nut                      | 62          | 134-3128           | 1           | Sensor-Temperature   |
| 26          | 134-1044           | 2           | Washer                   | 64          | 134-1200           | 1           | Clamp                |
| 27          | 134-1045           | 23          | Washer                   | 65          | 134-1014           | 2           | Screw                |
| 28          | 134-1046           | 17          | Washer                   | 66          | 134-1015           | 8           | Screw                |
| 29          | 134-1047           | 5           | Washer                   | 67          | 134-1319           | 3           | Clamp                |
| 30          | 134-1048           | 6           | Washer                   | 68          | 134-1243           | 1           | Key-Shaft            |
| 31          | 134-1051           | 4           | Washer                   | 69          | 134-8233           | 3           | Screw-HSH            |
| 34          | 134-1079           | 1           | Nut                      | 70          | 134-1061           | 1           | Ring-Retaining, Int  |
| 35          | 134-1120           | 1           | Screw                    | 71          | 134-1042           | 1           | Nut                  |
| 36          | 134-1157           | 3           | Shock Absorber           | 72          | 134-1028           | 1           | Screw                |
| 37          | 134-1166           | 4           | Nut                      |             |                    |             |                      |

# Engine, Fuel and Suction Assembly

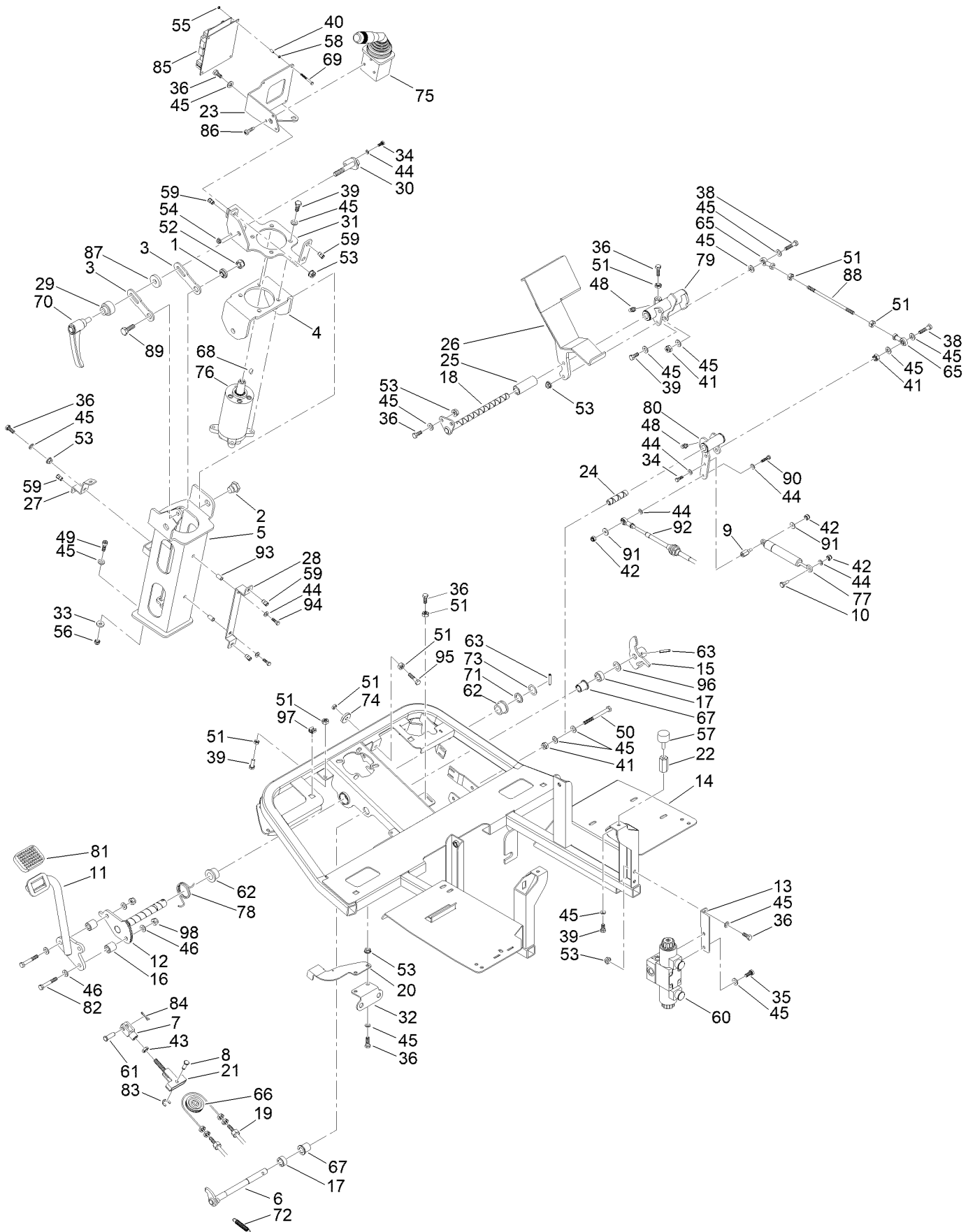




## Engine, Fuel and Suction Assembly (continued)

| <i>Ref.</i> | <i>Part Number</i> | <i>Qty.</i> | <i>Description</i>                 | <i>Ref.</i> | <i>Part Number</i> | <i>Qty.</i> | <i>Description</i>    |
|-------------|--------------------|-------------|------------------------------------|-------------|--------------------|-------------|-----------------------|
| 1           | 134-3955           | 1           | Hose-Plastic, Air Filter           | 26          | 134-0573           | 1           | Float                 |
| 2           | 134-3958           | 2           | U-Bolt                             | 27          | 134-1988           | 1           | Cap-Tank, Diesel      |
| 3           | 134-3954           | 1           | Bracket-Air Filter Hose            | 29          | 134-3078           | 1           | Hose-Fuel             |
| 4           | 134-1989           | 1           | Tank-Fuel                          | 30          | 134-3079           | 1           | Hose-Fuel             |
| 5           | 134-3957           | 1           | Hose Plastic-Air Filter, 90 Degree | 31          | 134-3080           | 1           | Pipe                  |
| 6           | 134-1010           | 2           | Screw                              | 32          | 134-3081           | 1           | Pipe                  |
| 7           | 134-1012           | 2           | Screw                              | 33          | 134-3082           | 1           | Pipe                  |
| 8           | 134-1038           | 4           | Nut                                | 34          | 134-3083           | 2           | Screw                 |
| 10          | 134-1045           | 5           | Washer                             | 35          | 134-3084           | 1           | Pipe                  |
| 11          | 134-1103           | 4           | Clamp                              | 36          | 134-1447           | 1           | Fuel Filter ASM       |
| 12          | 134-3956           | 1           | Hose-Plastic, Air Filter           | 36:1        | 134-3085           | 1           | Element-Filter, Fuel  |
| 13          | 134-3962           | 1           | Clamp                              | 37          | 134-3086           | 1           | Water Separator ASM   |
| 14          | 134-1200           | 2           | Clamp                              | 37:1        | 134-1524           | 1           | Filter-Fuel           |
| 15          | 134-1201           | 2           | Clamp                              | 38          | 134-1996           | 1           | Engine-Yanmar         |
| 16          | 134-1202           | 1           | Clamp                              | 39          | 134-1312           | 6           | Screw                 |
| 20          | 134-1044           | 4           | Washer                             | 40          | 134-1228           | 1           | Indicator-Filter, Air |
| 22          | 134-0567           | 1           | Prefilter-Air                      | 41          | 134-0867           | 1           | Adjuster              |
| 23          | 134-3959           | 1           | Filter-Air                         | 42          | 134-3126           | 2           | Washer                |
| 23:1        | 134-3961           | 1           | Element-Air Filter, Inner          | 43          | 134-8234           | 7           | Clip-Worm             |
| 23:2        | 134-3960           | 1           | Cartridge-Filter                   | 44          | 134-1041           | 4           | Nut                   |

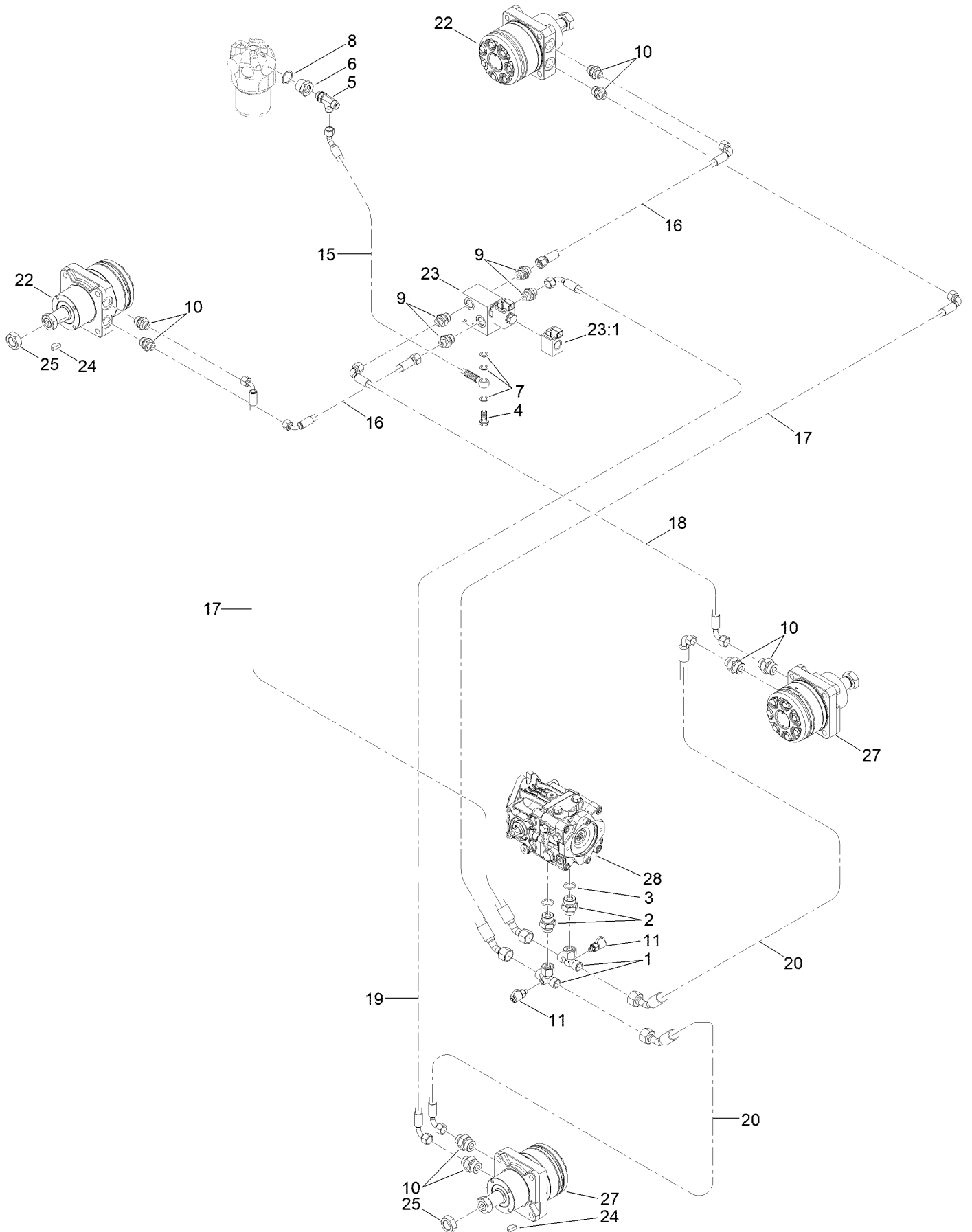
# Operator Platform Assembly



## Operator Platform Assembly (continued)

| <i>Ref.</i> | <i>Part Number</i> | <i>Qty.</i> | <i>Description</i>    | <i>Ref.</i> | <i>Part Number</i> | <i>Qty.</i> | <i>Description</i>                      |
|-------------|--------------------|-------------|-----------------------|-------------|--------------------|-------------|-----------------------------------------|
| 1           | 134-0703           | 1           | Bushing               | 52          | 134-1081           | 1           | Nut                                     |
| 2           | 134-0705           | 2           | Pin                   | 53          | 134-1082           | 10          | Nut                                     |
| 3           | 134-0706           | 2           | Rod-Connecting        | 54          | 134-1084           | 1           | Nut                                     |
| 4           | 134-0707           | 1           | Hinge                 | 55          | 134-1085           | 4           | Nut                                     |
| 5           | 134-0708           | 1           | Column-Steering       | 56          | 134-1092           | 4           | Nut                                     |
| 6           | 134-0716           | 1           | Camshaft              | 57          | 134-1163           | 1           | Pad-Rubber                              |
| 7           | 134-1241           | 1           | Fork                  | 58          | 134-1167           | 4           | Nut                                     |
| 8           | 134-0750           | 1           | Pin                   | 59          | 134-1194           | 6           | Insert-Threaded                         |
| 9           | 134-0756           | 1           | Pin                   | 60          | 134-1209           | 1           | Valve-Electric                          |
| 10          | 134-0757           | 1           | Pin                   | 61          | 134-1242           | 1           | Pin                                     |
| 11          | 134-0789           | 1           | Pedal-Brake           | 62          | 134-1249           | 2           | Bushing                                 |
| 12          | 134-0791           | 1           | Pedal-Brake           | 63          | 134-1254           | 2           | Plug-Spirol                             |
| 13          | 134-0836           | 1           | Bracket               | 65          | 134-1259           | 2           | Head-Cylinder                           |
| 14          | 134-0837           | 1           | Footrest              | 66          | 134-1263           | 1           | Pulley                                  |
| 15          | 134-0846           | 1           | Lock-Brake            | 67          | 134-1264           | 2           | Bushing                                 |
| 16          | 134-0888           | 2           | Spacer                | 68          | 134-1272           | 1           | Key-Shaft                               |
| 17          | 134-0894           | 2           | Spacer                | 69          | 134-1313           | 4           | Screw                                   |
| 18          | 134-0896           | 1           | Pin                   | 70          | 134-1322           | 1           | Handlesteering Column                   |
| 19          | 134-0898           | 1           | Cable-Brake           | 71          | 134-1323           | 1           | Spacer                                  |
| 20          | 134-0973           | 1           | Bracket               | 72          | 134-1353           | 1           | Spring                                  |
| 21          | 134-0910           | 1           | Fork                  | 73          | 134-1354           | 1           | Spacer                                  |
| 22          | 134-0912           | 1           | Column                | 74          | 134-1355           | 1           | Washer                                  |
| 23          | 134-0929           | 1           | Support               | 75          | 134-0613           | 1           | Control-Switch, Signal,<br>Lights, Horn |
| 24          | 134-0934           | 1           | Bushing               | 76          | 134-0581           | 1           | Drive-Hydraulic                         |
| 25          | 134-0938           | 1           | Spacer                | 77          | 134-0594           | 1           | Absorber-Shock                          |
| 26          | 134-0940           | 1           | Pedal-Forward/Reverse | 78          | 134-0634           | 1           | Spring-Pedal, Brake                     |
| 27          | 134-0942           | 1           | Bracket               | 79          | 134-3087           | 1           | Traction Pedal Pin                      |
| 28          | 134-0943           | 1           | Bracket               | 80          | 134-3088           | 1           | Pedal Comp                              |
| 29          | 134-0948           | 1           | Bushing               | 81          | 134-3089           | 1           | Dust Cap                                |
| 30          | 134-0949           | 1           | Screw                 | 82          | 134-3090           | 2           | Screw                                   |
| 31          | 134-0957           | 1           | Support               | 83          | 134-3091           | 1           | Ring Snap                               |
| 32          | 134-0960           | 1           | Bracket               | 84          | 134-2957           | 1           | Pin-Split                               |
| 33          | 134-0997           | 4           | Washer                | 85          | 134-4868           | 1           | Control Unit-Machine,<br>Electronic     |
| 34          | 134-1008           | 2           | Screw                 | 86          | 134-8235           | 3           | Screw-Pan                               |
| 35          | 134-1010           | 3           | Screw                 | 87          | 134-1337           | 1           | Washer                                  |
| 36          | 134-1011           | 12          | Screw                 | 88          | 134-0745           | 1           | Rod                                     |
| 38          | 134-1014           | 2           | Screw                 | 89          | 134-0704           | 1           | Pin                                     |
| 39          | 134-1015           | 4           | Screw                 | 90          | 134-1028           | 1           | Screw                                   |
| 40          | 134-1031           | 4           | Bushing-Nylon         | 91          | 134-1234           | 2           | Washer                                  |
| 41          | 134-1038           | 3           | Nut                   | 92          | 134-0854           | 1           | Cable-Forward                           |
| 42          | 134-1042           | 3           | Nut                   | 93          | 134-1253           | 2           | Insert-Threaded                         |
| 43          | 134-1043           | 1           | Nut                   | 94          | 134-1009           | 2           | Screw                                   |
| 44          | 134-1044           | 7           | Washer                | 95          | 134-1012           | 1           | Screw                                   |
| 45          | 134-1045           | 28          | Washer                | 96          | 134-0861           | 1           | Spacer                                  |
| 46          | 134-1046           | 4           | Washer                | 97          | 134-1086           | 4           | Nut-Cage                                |
| 48          | 134-1065           | 1           | Fitting-Grease        | 98          | 134-1079           | 2           | Nut                                     |
| 49          | 134-1068           | 4           | Screw                 |             |                    |             |                                         |
| 50          | 134-1073           | 1           | Screw                 |             |                    |             |                                         |
| 51          | 134-1078           | 9           | Nut                   |             |                    |             |                                         |

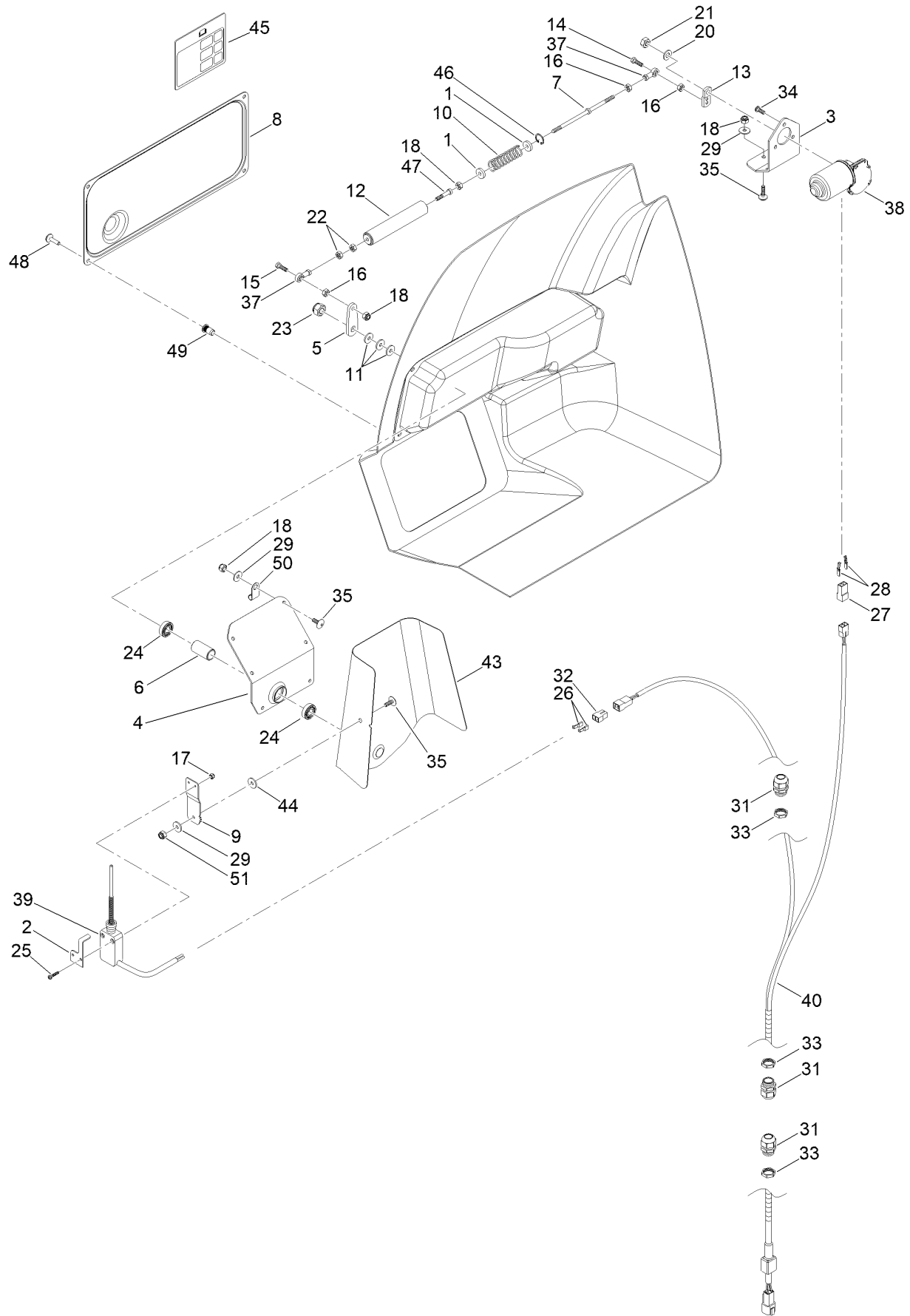
# Oil System Motors Assembly



## Oil System Motors Assembly (continued)

| <i>Ref.</i> | <i>Part Number</i> | <i>Qty.</i> | <i>Description</i> | <i>Ref.</i> | <i>Part Number</i> | <i>Qty.</i> | <i>Description</i>       |
|-------------|--------------------|-------------|--------------------|-------------|--------------------|-------------|--------------------------|
| 1           | 134-0754           | 2           | Fitting-Adapter, T | 16          | 134-3094           | 2           | Hydraulic Hose           |
| 2           | 134-0855           | 2           | Fitting            | 17          | 134-3096           | 2           | Hydraulic Hose           |
| 3           | 134-1064           | 2           | O-Ring             | 18          | 134-3097           | 1           | Hydraulic Hose           |
| 4           | 134-1102           | 1           | Screw              | 19          | 134-3099           | 1           | Hydraulic Hose           |
| 5           | 134-1218           | 1           | Adaptor-90 DEG     | 20          | 134-3100           | 2           | Hydraulic Hose           |
| 6           | 134-1219           | 1           | Fitting-Reducer    | 22          | 134-0666           | 2           | Motor-Hydraulic          |
| 7           | 134-1255           | 3           | Washer             | 23          | 134-0584           | 1           | Valve-Lock, Differential |
| 8           | 134-1256           | 1           | Washer             | 23:1        | 134-3095           | 1           | Hydraulic Comp           |
| 9           | 134-1267           | 4           | Fitting            | 24          | 134-2970           | 2           | Key-Woodruff             |
| 10          | 134-1329           | 8           | Fitting-Nipple     | 25          | 134-2967           | 2           | Nut                      |
| 11          | 134-1331           | 2           | Fitting-Test       | 27          | 134-0667           | 2           | Motor-Hydraulic, Rear    |
| 15          | 134-3093           | 1           | Hydraulic Hose     | 28          | 134-0580           | 1           | Pump-Drive               |

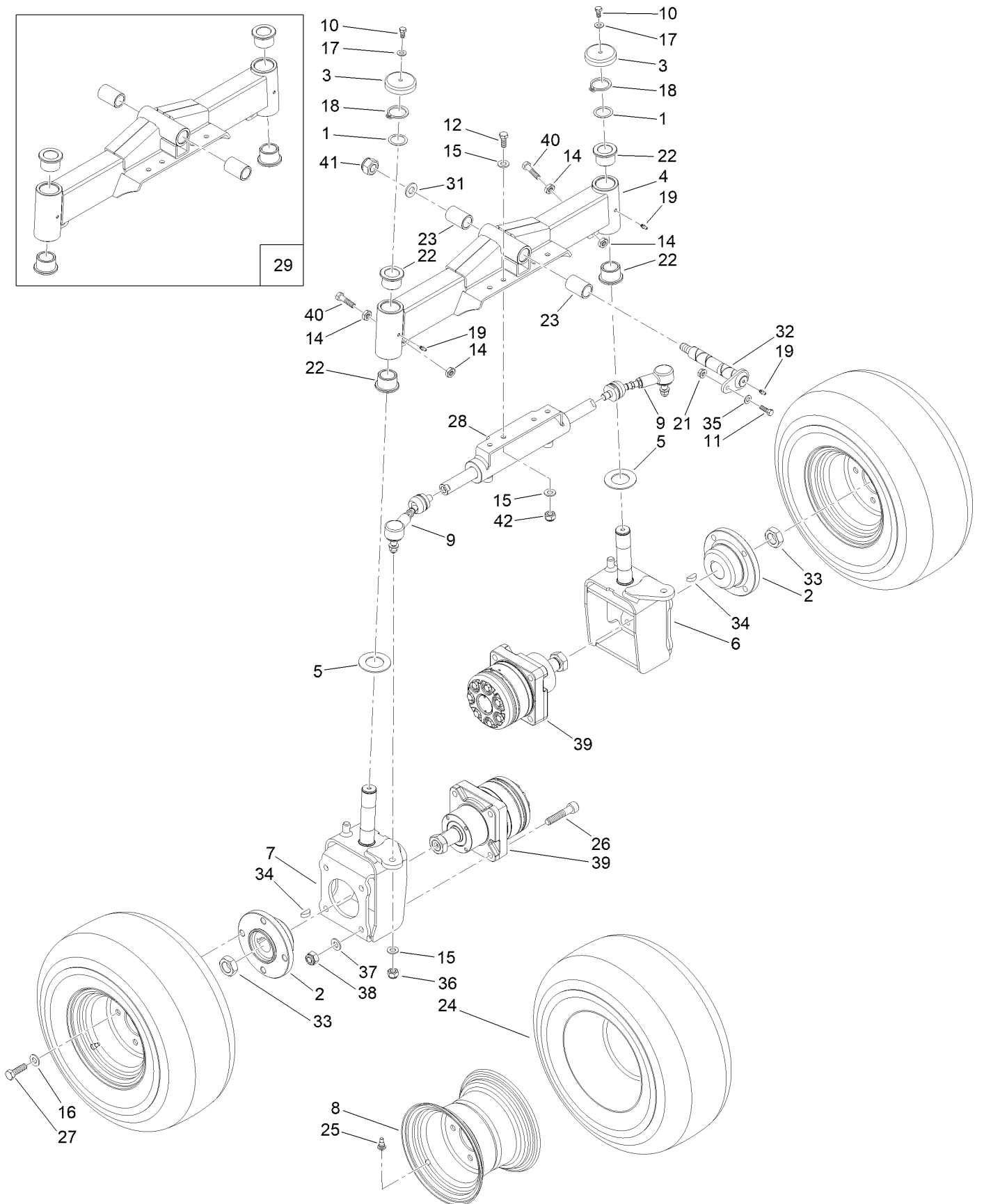
# Road Basket Assembly



## Road Basket Assembly (continued)

| <i>Ref.</i> | <i>Part Number</i> | <i>Qty.</i> | <i>Description</i>      | <i>Ref.</i> | <i>Part Number</i> | <i>Qty.</i> | <i>Description</i>              |
|-------------|--------------------|-------------|-------------------------|-------------|--------------------|-------------|---------------------------------|
| 1           | 134-0691           | 2           | Washer                  | 26          | 134-1221           | 2           | Cap-Cable End, Female           |
| 2           | 134-0700           | 1           | Bracket                 | 27          | 134-1222           | 1           | Connector-Electric              |
| 3           | 134-0766           | 1           | Support-Engine          | 28          | 134-1225           | 2           | Connector                       |
| 4           | 134-0767           | 1           | Support-Spreader        | 29          | 134-1234           | 11          | Washer                          |
| 5           | 134-0768           | 1           | Lever-Hopper            | 31          | 134-1278           | 3           | Fitting-Union                   |
| 6           | 134-0841           | 1           | Spacer                  | 32          | 134-1288           | 1           | Connector-Electric              |
| 7           | 134-0872           | 1           | Rod                     | 33          | 134-1292           | 3           | Nut-Plastic                     |
| 8           | 134-0914           | 1           | Cover                   | 34          | 134-1303           | 3           | Screw                           |
| 9           | 134-0916           | 1           | Support-Sensor, Catcher | 35          | 134-1304           | 10          | Screw                           |
| 10          | 134-0926           | 1           | Spring                  | 37          | 134-0592           | 2           | Head-Joint                      |
| 11          | 134-0998           | 3           | Spacer                  | 38          | 134-0595           | 1           | Baffle-Motor                    |
| 12          | 134-1002           | 1           | Body                    | 39          | 134-0607           | 1           | Microswitch-Full, Grass Catcher |
| 13          | 134-1003           | 1           | Plate, Hopper-Spreader  | 40          | 134-0601           | 1           | Wiring-Catcher, Grass           |
| 14          | 134-1009           | 1           | Screw                   | 43          | 134-3103           | 1           | Manifold                        |
| 15          | 134-1028           | 1           | Screw                   | 44          | 134-1237           | 1           | Washer-Belleville               |
| 16          | 134-1039           | 3           | Nut                     | 45          | 134-0683           | 1           | Decal                           |
| 17          | 134-1040           | 2           | Nut                     | 46          | 134-8039           | 1           | Clip-Internal                   |
| 18          | 134-1042           | 12          | Nut                     | 47          | 134-1025           | 1           | Screw                           |
| 20          | 134-1054           | 1           | Washer                  | 48          | 134-8236           | 4           | Screw-Flange                    |
| 21          | 134-1078           | 1           | Nut                     | 49          | 134-8237           | 4           | Nutsert-Blind                   |
| 22          | 134-1080           | 2           | Nut                     | 50          | 134-1348           | 1           | Grommet                         |
| 23          | 134-1081           | 1           | Nut                     | 51          | 134-1041           | 1           | Nut                             |
| 24          | 134-1104           | 2           | Bearing                 |             |                    |             |                                 |
| 25          | 134-1113           | 2           | Screw                   |             |                    |             |                                 |

# Rear Axle Assembly

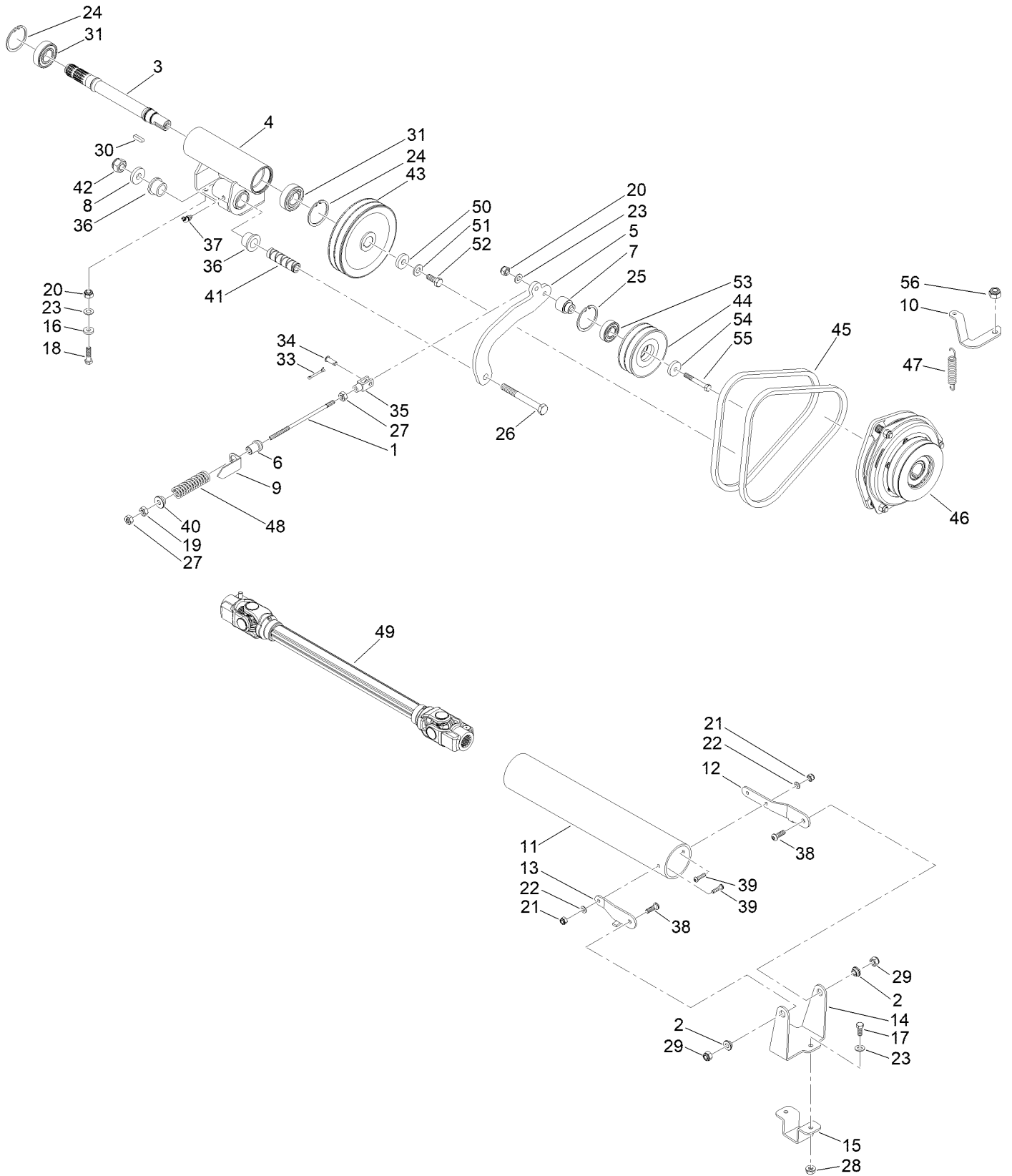




## Rear Axle Assembly (continued)

| <i>Ref.</i> | <i>Part Number</i> | <i>Qty.</i> | <i>Description</i>  | <i>Ref.</i> | <i>Part Number</i> | <i>Qty.</i> | <i>Description</i>    |
|-------------|--------------------|-------------|---------------------|-------------|--------------------|-------------|-----------------------|
| 1           | 134-4927           | 2           | Spacer              | 23          | 134-1189           | 2           | Bushing               |
| 2           | 134-0721           | 2           | Flange              | 24          | 134-1230           | 1           | Tire-Rear             |
| 3           | 134-0723           | 2           | Cap                 | 25          | 134-1261           | 1           | Valve-Tire            |
| 4           | 134-0769           | 1           | Axle-Rear           | 26          | 134-1298           | 4           | Screw                 |
| 5           | 134-0770           | 2           | Washer              | 27          | 134-1305           | 4           | Screw                 |
| 6           | 134-0774           | 1           | Fork                | 28          | 134-0657           | 1           | Piston-Steering       |
| 7           | 134-0775           | 1           | Fork                | 29          | 134-3104           | 1           | Rear Axle             |
| 8           | 134-0818           | 1           | Rim-Wheel, Rear     | 31          | 134-2962           | 1           | Washer                |
| 9           | 134-0860           | 2           | Articulation        | 32          | 134-3106           | 1           | Pin                   |
| 10          | 134-1010           | 2           | Screw               | 33          | 134-2967           | 2           | Nut                   |
| 11          | 134-1015           | 1           | Screw               | 34          | 134-2970           | 2           | Key-Woodruff          |
| 12          | 134-1018           | 4           | Screw               | 35          | 134-1045           | 1           | Washer                |
| 14          | 134-1043           | 4           | Nut                 | 36          | 134-3110           | 1           | Nut                   |
| 15          | 134-1046           | 9           | Washer              | 37          | 134-0591           | 4           | Washer                |
| 16          | 134-1047           | 4           | Washer              | 38          | 134-0561           | 4           | Nut                   |
| 17          | 134-1054           | 2           | Washer              | 39          | 134-0667           | 2           | Motor-Hydraulic, Rear |
| 18          | 134-1061           | 2           | Ring-Retaining, Int | 40          | 134-1023           | 2           | Screw                 |
| 19          | 134-1065           | 3           | Fitting-Grease      | 41          | 134-1095           | 1           | Nut                   |
| 21          | 134-1082           | 1           | Nut                 | 42          | 134-1081           | 4           | Nut                   |
| 22          | 134-1188           | 4           | Bushing             |             |                    |             |                       |

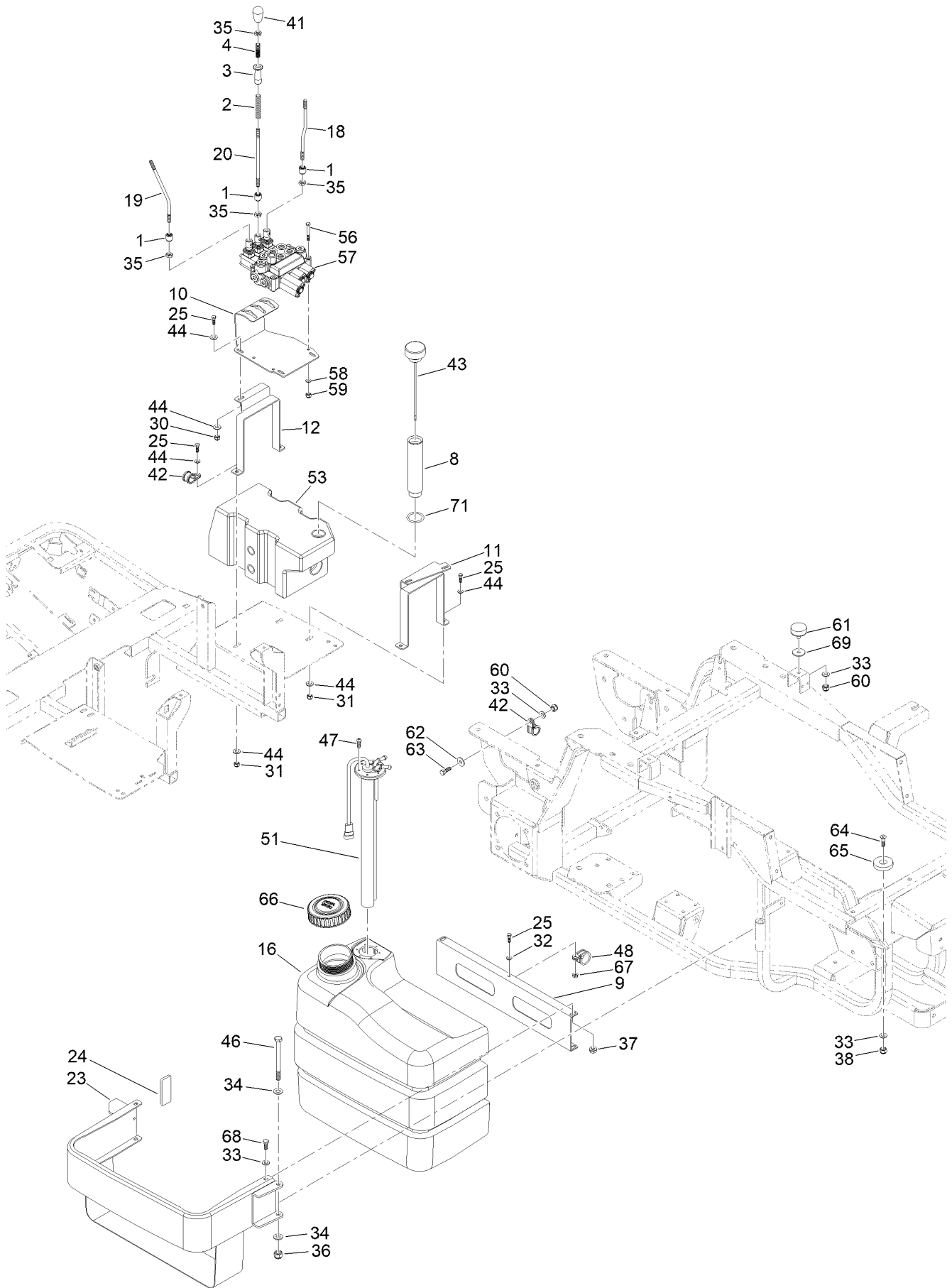
# Transmission, PTO and Drive Shaft Assembly



# Transmission, PTO and Drive Shaft Assembly (continued)

| <i>Ref.</i> | <i>Part Number</i> | <i>Qty.</i> | <i>Description</i>            | <i>Ref.</i> | <i>Part Number</i> | <i>Qty.</i> | <i>Description</i> |
|-------------|--------------------|-------------|-------------------------------|-------------|--------------------|-------------|--------------------|
| 1           | 134-0701           | 1           | Rod                           | 28          | 134-1082           | 1           | Nut                |
| 2           | 134-0729           | 2           | Bushing                       | 29          | 134-1092           | 2           | Nut                |
| 3           | 134-0779           | 1           | Shaft                         | 30          | 134-1100           | 1           | Key-Shaft          |
| 4           | 134-0780           | 1           | Flange-Dust                   | 31          | 134-1105           | 2           | Bearing            |
| 5           | 134-0782           | 1           | Lever-Belt Tensioner          | 33          | 134-1132           | 1           | Pin-Spring         |
| 6           | 134-0783           | 1           | Pin-Guide, Nylon              | 34          | 134-1236           | 1           | Pin                |
| 7           | 134-0784           | 1           | Bushing                       | 35          | 134-1239           | 1           | Fork               |
| 8           | 134-0866           | 1           | Washer                        | 36          | 134-1249           | 2           | Bushing            |
| 9           | 134-0893           | 1           | Spring-Belt Tension Indicator | 37          | 134-1258           | 1           | Fitting-Grease     |
| 10          | 134-0919           | 1           | Bracket                       | 38          | 134-1302           | 2           | Screw              |
| 11          | 134-0967           | 1           | Tube-Protector, Polyethylene  | 39          | 134-1311           | 3           | Screw              |
| 12          | 134-0968           | 1           | Bracket                       | 40          | 134-1349           | 1           | Guide-Spring       |
| 13          | 134-0969           | 1           | Bracket                       | 41          | 134-1351           | 1           | Spacer             |
| 14          | 134-0970           | 1           | Fork                          | 42          | 134-2969           | 1           | Nut                |
| 15          | 134-0971           | 1           | Bracket                       | 43          | 134-0622           | 1           | Pulley             |
| 16          | 134-0997           | 4           | Washer                        | 44          | 134-1365           | 1           | Pulley             |
| 17          | 134-1011           | 2           | Screw                         | 45          | 134-0577           | 2           | Belt-PTO           |
| 18          | 134-1012           | 4           | Screw                         | 46          | 134-0578           | 1           | Clutch             |
| 19          | 134-1034           | 1           | Nut                           | 47          | 134-1364           | 1           | Spring-Clutch      |
| 20          | 134-1038           | 5           | Nut                           | 48          | 134-0618           | 1           | Spring             |
| 21          | 134-1042           | 3           | Nut                           | 49          | 134-6309           | 1           | Driveshaft-PTO     |
| 22          | 134-1044           | 3           | Washer                        | 50          | 134-1337           | 1           | Washer             |
| 23          | 134-1045           | 7           | Washer                        | 51          | 134-1051           | 1           | Washer             |
| 24          | 134-1057           | 2           | Ring-Retaining, Int           | 52          | 134-1018           | 1           | Screw              |
| 25          | 134-1058           | 1           | Ring-Retaining, Int           | 53          | 134-1107           | 1           | Bearing            |
| 26          | 134-1075           | 1           | Screw                         | 54          | 134-1355           | 1           | Washer             |
| 27          | 134-1078           | 2           | Nut                           | 55          | 134-1024           | 1           | Screw              |
|             |                    |             |                               | 56          | 134-1079           | 1           | Nut                |

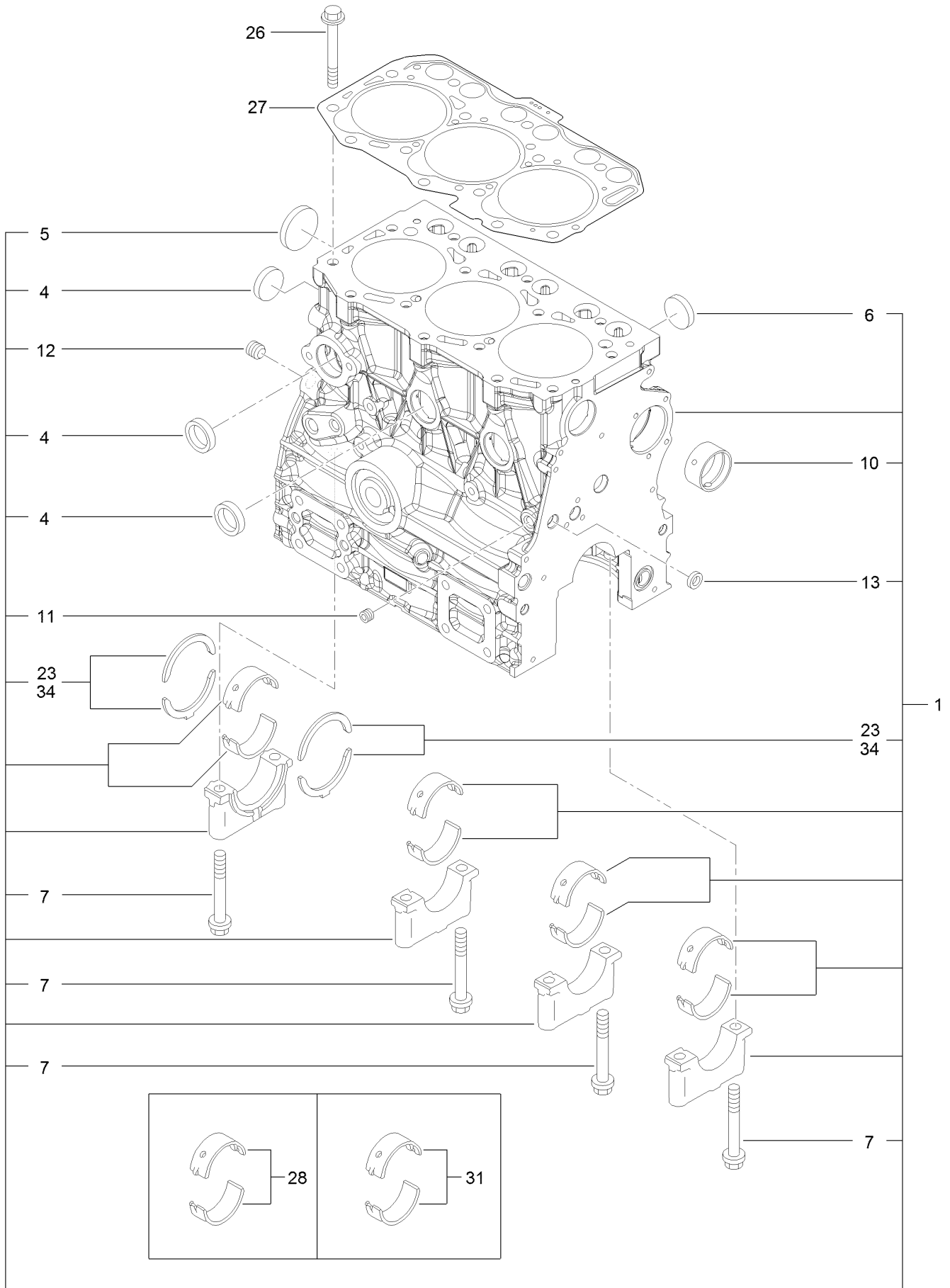
# Fuel and Oil Tank Assembly



## Fuel and Oil Tank Assembly (continued)

| <i>Ref.</i> | <i>Part Number</i> | <i>Qty.</i> | <i>Description</i>   | <i>Ref.</i> | <i>Part Number</i> | <i>Qty.</i> | <i>Description</i> |
|-------------|--------------------|-------------|----------------------|-------------|--------------------|-------------|--------------------|
| 1           | 134-0696           | 3           | Connector            | 41          | 134-1179           | 1           | Knob               |
| 2           | 134-0697           | 1           | Spring               | 42          | 134-1197           | 2           | Clamp              |
| 3           | 134-0698           | 1           | Knob                 | 43          | 134-1210           | 1           | Cap-Oil            |
| 4           | 134-0699           | 1           | Spring               | 44          | 134-1234           | 14          | Washer             |
| 8           | 134-0786           | 1           | Filler-Tank, Oil     | 46          | 134-1295           | 1           | Screw              |
| 9           | 134-0787           | 1           | Rail-Cross           | 47          | 134-1312           | 6           | Screw              |
| 10          | 134-0792           | 1           | Support-Valve, Aux   | 48          | 134-1318           | 1           | Clamp              |
| 11          | 134-0794           | 1           | Clamp-Band           | 51          | 134-0573           | 1           | Float              |
| 12          | 134-0795           | 1           | Clamp-Band           | 53          | 134-0635           | 1           | Tank-Oil           |
| 16          | 134-1989           | 1           | Tank-Fuel            | 56          | 134-1118           | 3           | Screw              |
| 18          | 134-0905           | 1           | Lever-Valve, Aux     | 57          | 134-0582           | 1           | Distributor        |
| 19          | 134-0906           | 1           | Lever-Valve, Aux     | 58          | 134-1044           | 3           | Washer             |
| 20          | 134-0907           | 1           | Lever-Valve, Aux     | 59          | 134-1042           | 3           | Nut                |
| 23          | 134-0959           | 1           | Support-Tank, Fuel   | 60          | 134-1038           | 2           | Nut                |
| 24          | 134-0982           | 2           | Grommet-Rubber, Tank | 61          | 134-1338           | 1           | Pad-Rubber         |
| 25          | 134-1009           | 8           | Screw                | 62          | 134-3126           | 1           | Washer             |
| 30          | 134-1041           | 3           | Nut                  | 63          | 134-1015           | 1           | Screw              |
| 31          | 134-1042           | 4           | Nut                  | 64          | 134-1121           | 1           | Screw              |
| 32          | 134-1044           | 1           | Washer               | 65          | 134-0759           | 1           | Support            |
| 33          | 134-1045           | 7           | Washer               | 66          | 134-1988           | 1           | Cap-Tank, Diesel   |
| 34          | 134-1046           | 5           | Washer               | 67          | 134-1084           | 1           | Nut                |
| 35          | 134-1078           | 4           | Nut                  | 68          | 134-1010           | 4           | Screw              |
| 36          | 134-1079           | 4           | Nut                  | 69          | 134-8239           | 1           | Washer             |
| 37          | 134-1082           | 1           | Nut                  | 71          | 134-8240           | 1           | O-Ring             |
| 38          | 134-1092           | 1           | Nut                  |             |                    |             |                    |

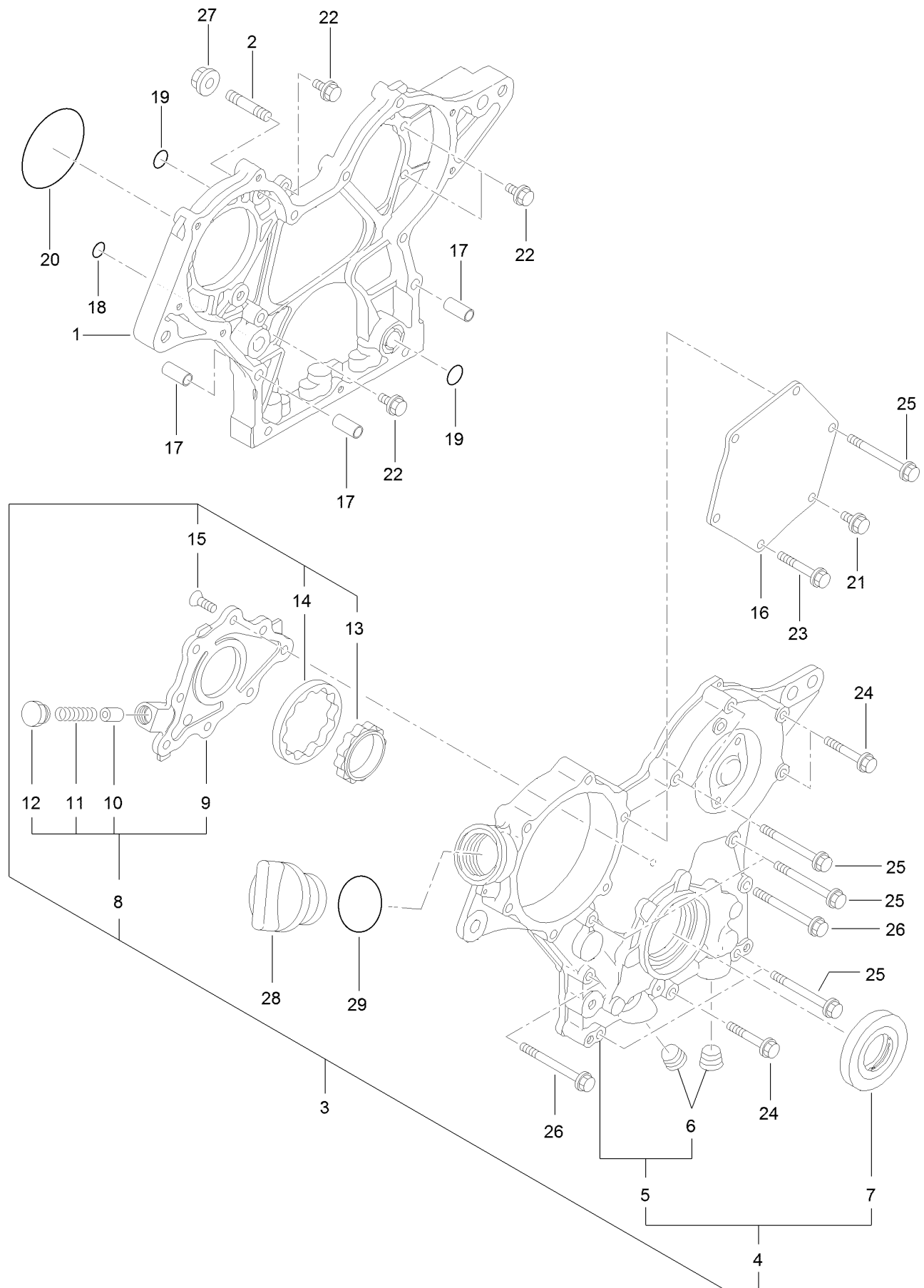
# Cylinder Block Assembly



## Cylinder Block Assembly (continued)

| <i>Ref.</i> | <i>Part Number</i> | <i>Qty.</i> | <i>Description</i> | <i>Ref.</i> | <i>Part Number</i> | <i>Qty.</i> | <i>Description</i>  |
|-------------|--------------------|-------------|--------------------|-------------|--------------------|-------------|---------------------|
| 1           | 135-4030           | 1           | Cylinder Block ASM | 13          | 125-7237           | 1           | Plug                |
| 4           | 135-4031           | 4           | Plug-Cup           | 23          | 135-4036           | 2           | Thrust Bearing ASM  |
| 5           | 135-4032           | 1           | Plug-Dish          | 26          | 135-4037           | 14          | Bolt-Head, Cylinder |
| 6           | 135-4033           | 3           | Plug-Cup           | 27          | 135-4038           | 1           | Head Gasket Set     |
| 7           | 135-4034           | 8           | Bolt-Cap           | 28          | 135-4039           | 4           | Main Bearing ASM    |
| 10          | 135-4035           | 1           | Bushing-Camshaft   | 31          | 135-4040           | 4           | Main Bearing ASM    |
| 11          | 125-6969           | 1           | Plug               | 34          | 135-4041           | 2           | Bearing-Thrust      |
| 12          | 125-6973           | 1           | Plug               |             |                    |             |                     |

# Gear Housing Assembly

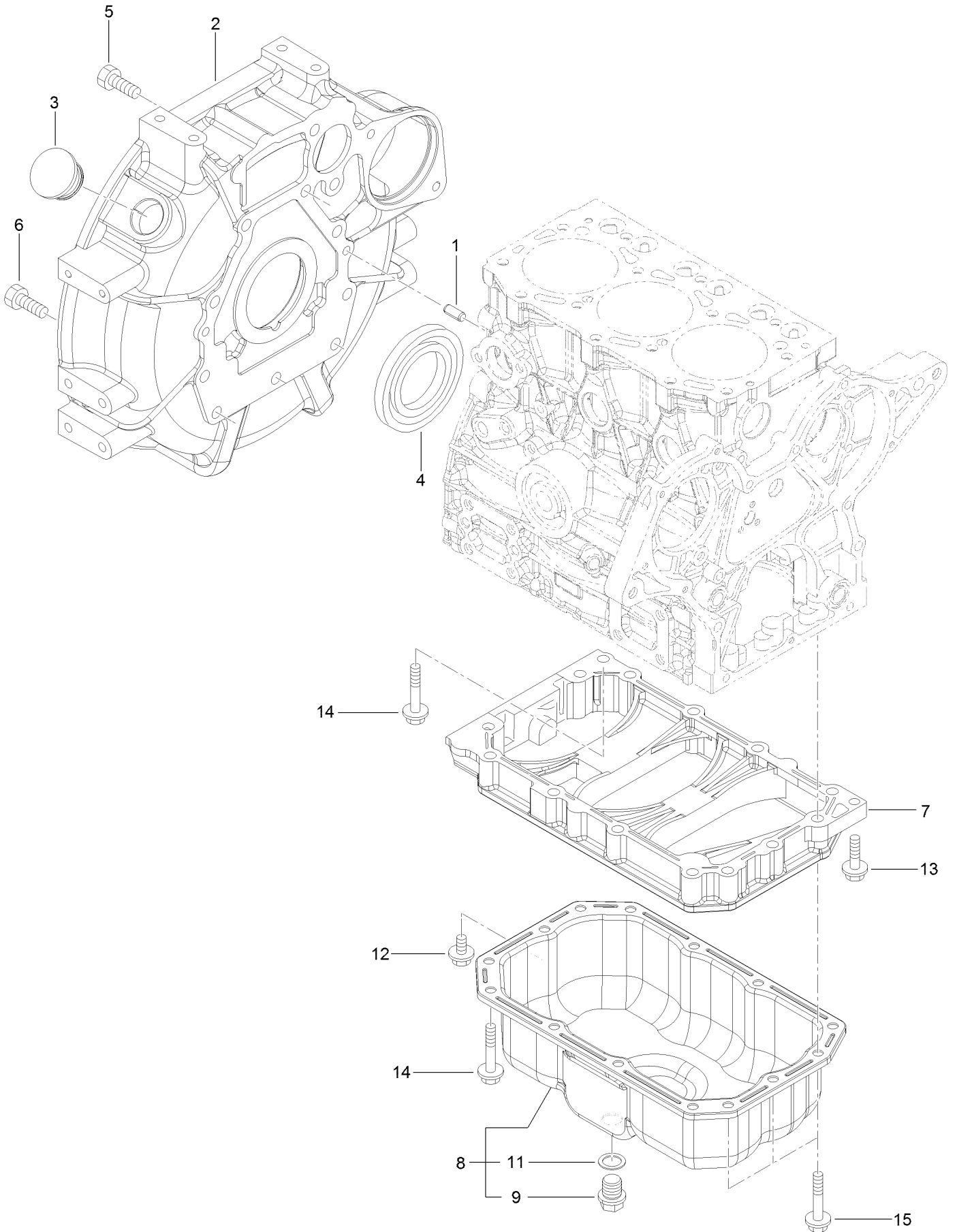




## Gear Housing Assembly (continued)

| <i>Ref.</i> | <i>Part Number</i> | <i>Qty.</i> | <i>Description</i>  | <i>Ref.</i> | <i>Part Number</i> | <i>Qty.</i> | <i>Description</i> |
|-------------|--------------------|-------------|---------------------|-------------|--------------------|-------------|--------------------|
| 1           | 135-4042           | 1           | Case-Gear           | 16          | 135-4056           | 1           | Cover-Pump         |
| 2           | 135-4043           | 3           | Bolt-Stud           | 17          | 135-4057           | 4           | Dowel-Pipe         |
| 3           | 135-4044           | 1           | Gear Case Cover ASM | 18          | 127-2973           | 1           | O-Ring             |
| 4           | 135-4045           | 1           | Gear Case Cover ASM | 19          | 135-4058           | 3           | O-Ring             |
| 5           | 135-4046           | 1           | Cover-Case, Gear    | 20          | 125-6957           | 1           | O-Ring             |
| 6           | 133-6798           | 2           | Plug                | 21          | 125-7206           | 1           | Bolt               |
| 7           | 135-4047           | 1           | Seal-Oil            | 22          | 125-7208           | 4           | Bolt               |
| 8           | 135-4048           | 1           | Cover ASM           | 23          | 125-7211           | 4           | Bolt               |
| 9           | 135-4049           | 1           | Cover-Pump          | 24          | 125-7211           | 3           | Bolt               |
| 10          | 135-4050           | 1           | Valve-Relief        | 25          | 135-4059           | 7           | Bolt               |
| 11          | 135-4051           | 1           | Spring              | 26          | 136-8257           | 2           | Bolt               |
| 12          | 135-4052           | 1           | Plug                | 27          | 125-7229           | 3           | Nut                |
| 13          | 135-4053           | 1           | Rotor-Inner         | 28          | 125-6972           | 1           | Cover-Filler       |
| 14          | 135-4054           | 1           | Rotor-Outer         | 29          | 125-7197           | 1           | O-Ring             |
| 15          | 135-4055           | 8           | Screw               |             |                    |             |                    |

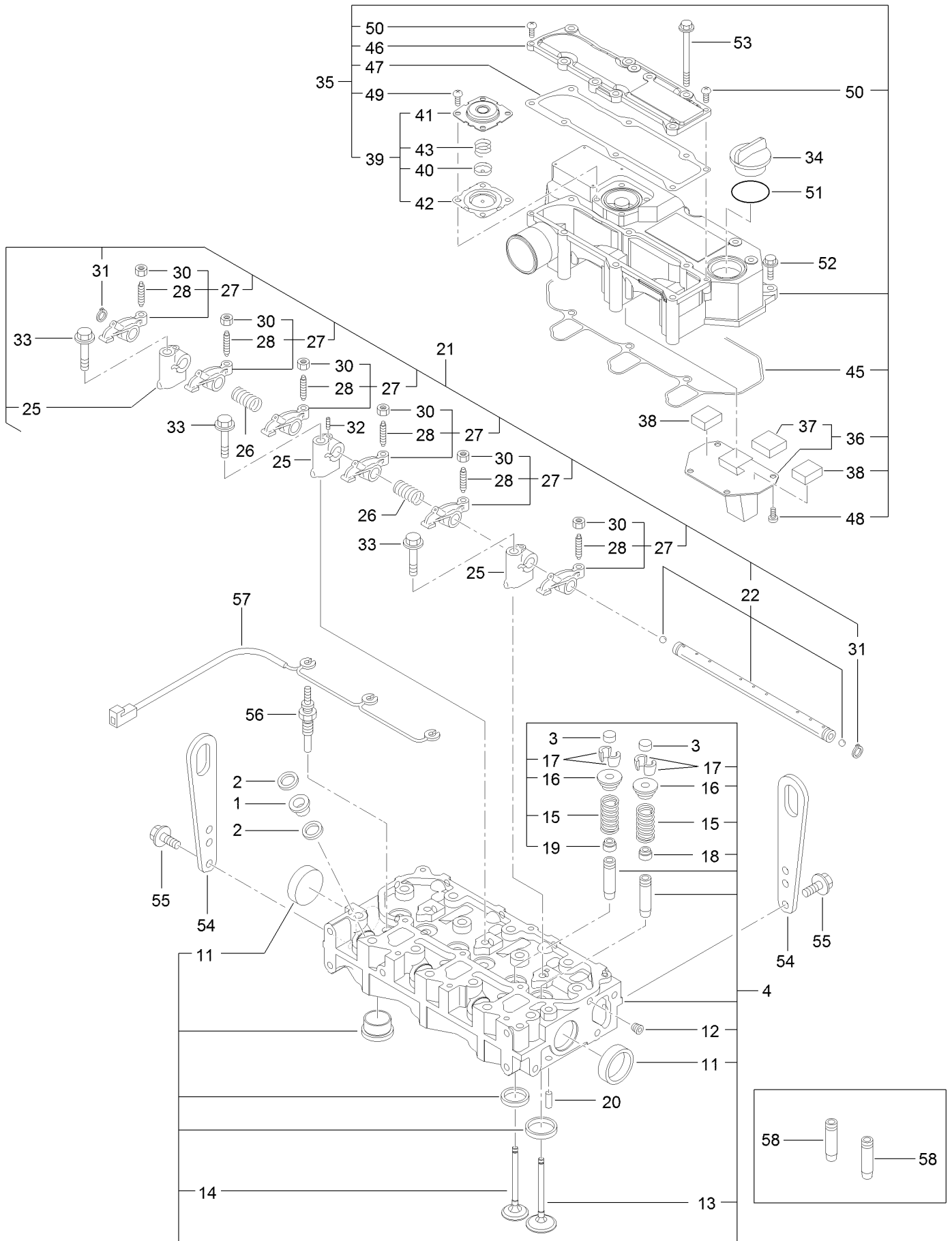
# Flywheel Housing and Oil Sump Assembly



## Flywheel Housing and Oil Sump Assembly (continued)

| <i>Ref.</i> | <i>Part Number</i> | <i>Qty.</i> | <i>Description</i> | <i>Ref.</i> | <i>Part Number</i> | <i>Qty.</i> | <i>Description</i> |
|-------------|--------------------|-------------|--------------------|-------------|--------------------|-------------|--------------------|
| 1           | 125-6995           | 2           | Pin                | 8           | 134-1398           | 1           | Oil Pan ASM        |
| 2           | 134-1397           | 1           | Housing-Flywheel   | 9           | 135-4068           | 1           | Plug               |
| 3           | 125-6910           | 1           | Cap                | 11          | 136-8236           | 1           | Washer-Seal        |
| 4           | 135-4064           | 1           | Seal-Oil           | 12          | 125-7212           | 1           | Bolt               |
| 5           | 125-7226           | 8           | Bolt               | 13          | 125-7216           | 1           | Bolt               |
| 6           | 125-7227           | 3           | Bolt               | 14          | 125-7219           | 11          | Bolt               |
| 7           | 135-4066           | 1           | Spacer-Pan, Oil    | 15          | 125-7220           | 3           | Bolt               |

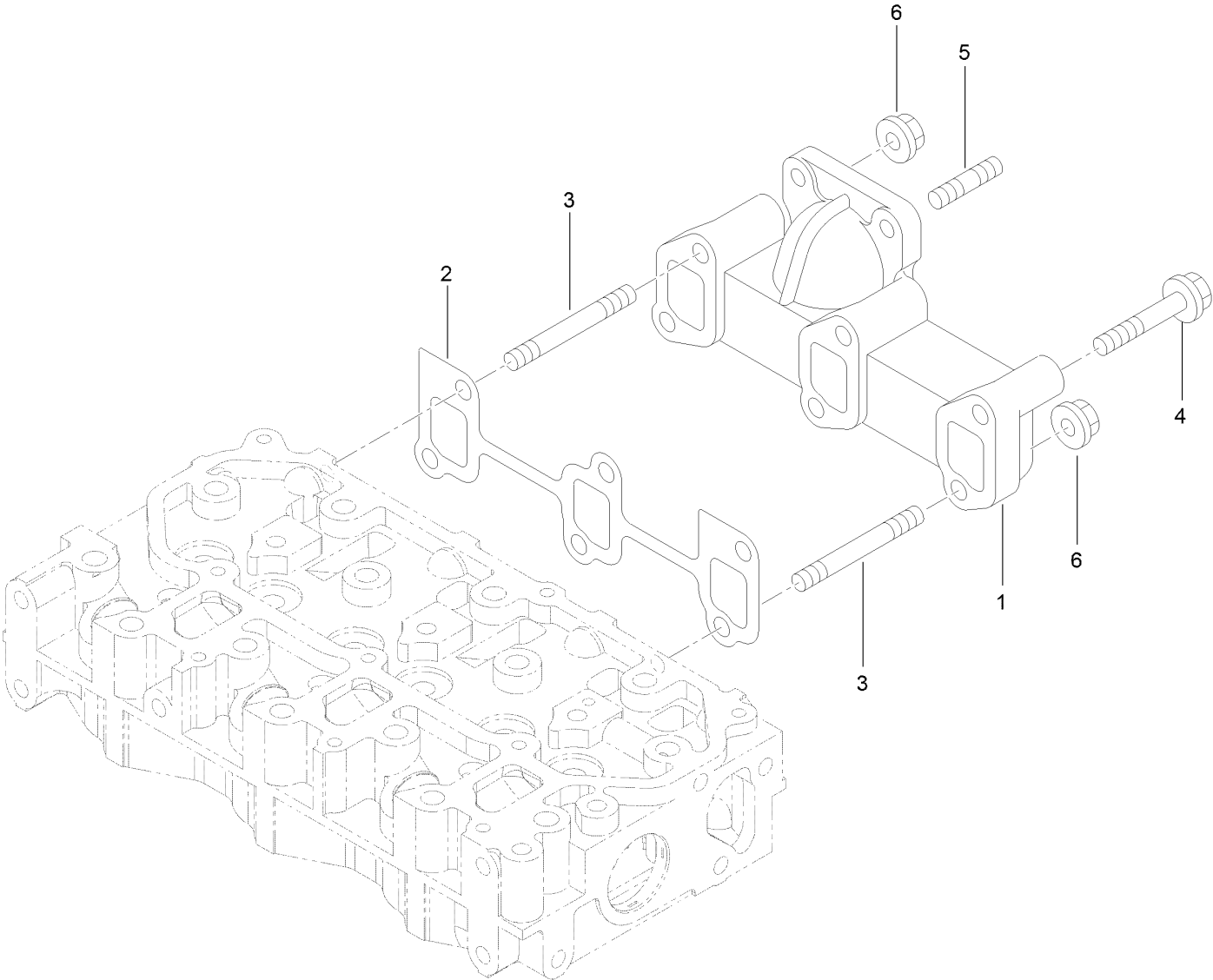
# Cylinder Head and Cover Assembly



## Cylinder Head and Cover Assembly (continued)

| <i>Ref.</i> | <i>Part Number</i> | <i>Qty.</i> | <i>Description</i>  | <i>Ref.</i> | <i>Part Number</i> | <i>Qty.</i> | <i>Description</i>          |
|-------------|--------------------|-------------|---------------------|-------------|--------------------|-------------|-----------------------------|
| 1           | 135-4069           | 3           | Protector-Nozzle    | 35          | 134-1402           | 1           | Cylinder Head Cover ASM     |
| 2           | 135-4070           | 6           | Gasket-Nozzle       | 36          | 135-4085           | 1           | Plate-Baffle                |
| 3           | 135-4071           | 6           | Cap-Valve           | 37          | 135-4086           | 1           | Baffle-Breather             |
| 4           | 134-4001           | 1           | Cylinder Head ASM   | 38          | 135-4086           | 2           | Baffle-Breather             |
| 11          | 135-4073           | 2           | Plug-Cup            | 39          | 135-4088           | 1           | Diaphragm ASM               |
| 12          | 133-6797           | 1           | Plug                | 40          | 135-4089           | 1           | Plate-Diaphragm             |
| 13          | 135-4074           | 3           | Valve-Suction       | 41          | 135-4090           | 1           | Cover-Diaphragm             |
| 14          | 135-4075           | 3           | Valve-Exhaust       | 42          | 135-4091           | 1           | Diaphragm                   |
| 15          | 135-4076           | 6           | Spring-Valve        | 43          | 135-4092           | 1           | Spring-Diaphragm            |
| 16          | 125-7054           | 6           | Retainer            | 45          | 135-4093           | 1           | Gasket-Cover, Cylinder Head |
| 17          | 125-6914           | 12          | Cotter              |             |                    |             |                             |
| 18          | 125-6915           | 3           | Seal-Stem, Valve    | 46          | 134-1401           | 1           | Cover-Head, Cylinder        |
| 19          | 125-6916           | 3           | Seal-Stem, Valve    | 47          | 135-4095           | 1           | Gasket                      |
| 20          | 125-7184           | 2           | Pin-Spring          | 48          | 125-7186           | 4           | Screw                       |
| 21          | 135-4077           | 1           | Rocker Support ASM  | 49          | 125-7186           | 4           | Screw                       |
| 22          | 135-4078           | 1           | Rocker Shaft ASM    | 50          | 127-3168           | 2           | Screw                       |
| 25          | 135-4079           | 3           | Support-Arm, Rocker | 51          | 125-7197           | 1           | O-Ring                      |
| 26          | 135-4080           | 2           | Spring-Rocker       | 52          | 125-7209           | 3           | Bolt                        |
| 27          | 135-4081           | 6           | Rocker Arm ASM      | 53          | 135-4096           | 6           | Bolt                        |
| 28          | 125-7013           | 6           | Screw-Adjust, Valve | 54          | 125-7111           | 2           | Lifter                      |
| 30          | 125-7014           | 6           | Nut                 | 55          | 125-7214           | 4           | Bolt                        |
| 31          | 135-7082           | 2           | Ring                | 56          | 135-4291           | 3           | Plug-Glow                   |
| 32          | 135-4083           | 1           | Screw               | 57          | 134-1443           | 1           | Connector-Plug, Glow        |
| 33          | 125-7218           | 3           | Bolt                | 58          | 125-6917           | 6           | Guide                       |
| 34          | 125-6972           | 1           | Cover-Filler        |             |                    |             |                             |

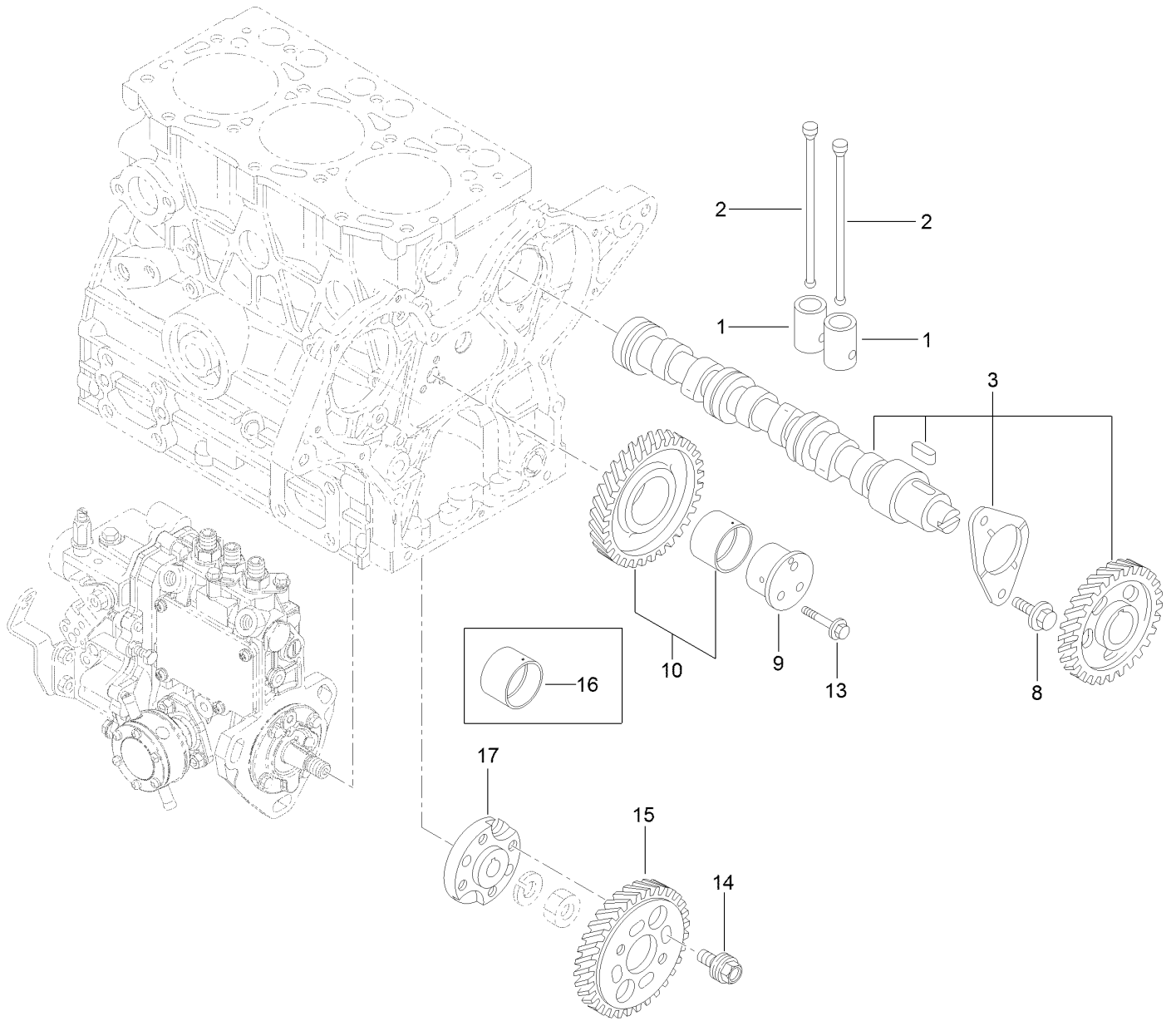
# Exhaust Manifold Assembly



## Exhaust Manifold Assembly (continued)

| <i>Ref.</i> | <i>Part Number</i> | <i>Qty.</i> | <i>Description</i>       | <i>Ref.</i> | <i>Part Number</i> | <i>Qty.</i> | <i>Description</i> |
|-------------|--------------------|-------------|--------------------------|-------------|--------------------|-------------|--------------------|
| 1           | 134-1444           | 1           | Manifold-Exhaust         | 4           | 133-6714           | 4           | Bolt               |
| 2           | 135-4107           | 1           | Gasket-Manifold, Exhaust | 5           | 125-6906           | 4           | Stud               |
| 3           | 134-1404           | 2           | Bolt-Stud                | 6           | 125-7229           | 2           | Nut                |

# Camshaft and Driving Gear Assembly

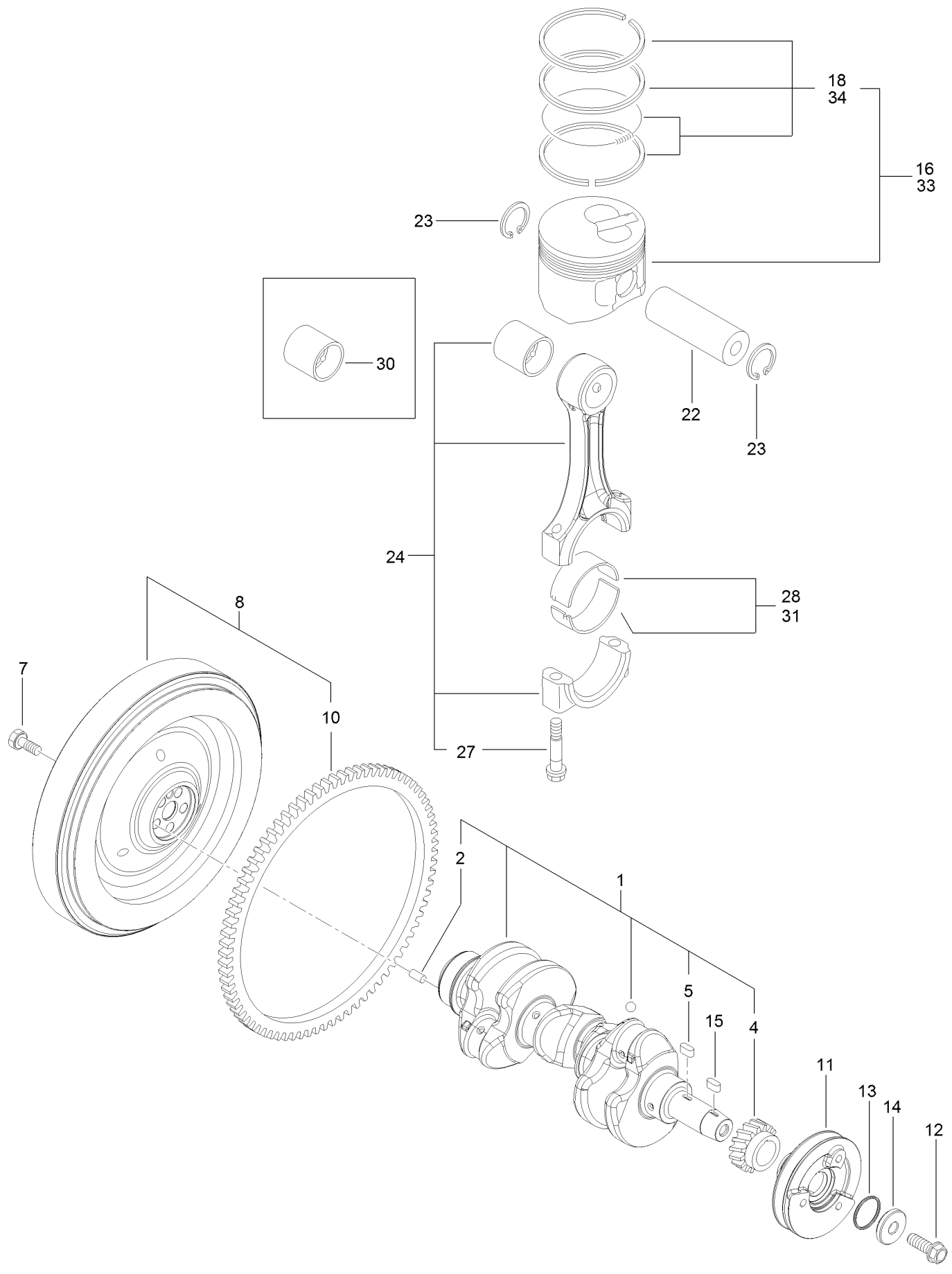




## Camshaft and Driving Gear Assembly (continued)

| <i>Ref.</i> | <i>Part Number</i> | <i>Qty.</i> | <i>Description</i> | <i>Ref.</i> | <i>Part Number</i> | <i>Qty.</i> | <i>Description</i> |
|-------------|--------------------|-------------|--------------------|-------------|--------------------|-------------|--------------------|
| 1           | 135-4108           | 6           | Tappet             | 13          | 135-4147           | 3           | Bolt               |
| 2           | 135-4109           | 6           | Push-Rod           | 14          | 125-7020           | 4           | Bolt               |
| 3           | 135-4110           | 1           | Camshaft ASM       | 15          | 135-4148           | 1           | Gear-Pump          |
| 8           | 125-7206           | 2           | Bolt               | 16          | 135-4149           | 1           | Bushing-Gear, Idle |
| 9           | 135-4145           | 1           | Shaft-Idle         | 17          | 135-4150           | 1           | Flange             |
| 10          | 135-4146           | 1           | Idle Gear ASM      |             |                    |             |                    |

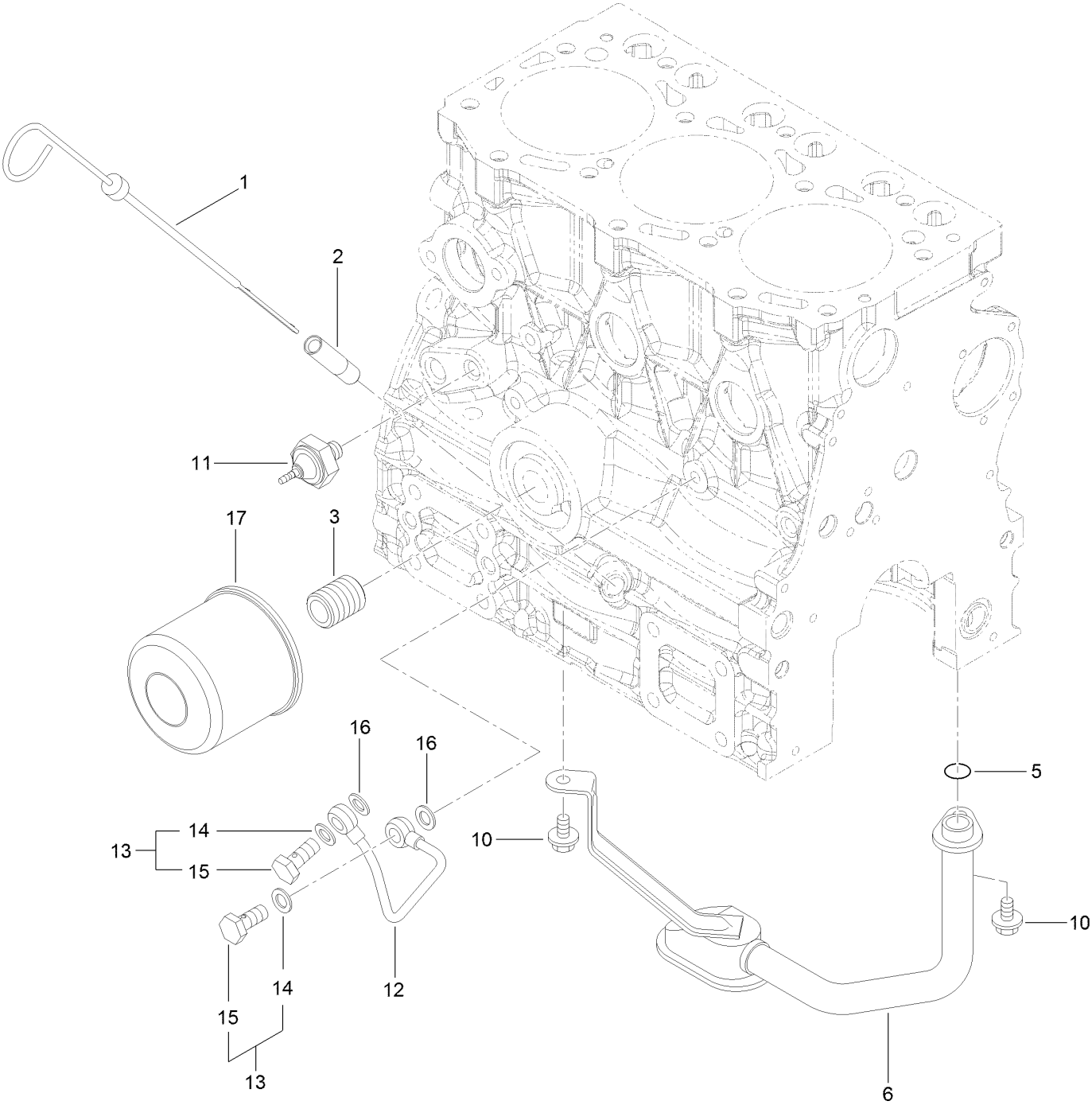
# Crankshaft and Piston Assembly



## Crankshaft and Piston Assembly (continued)

| <i>Ref.</i> | <i>Part Number</i> | <i>Qty.</i> | <i>Description</i>   | <i>Ref.</i> | <i>Part Number</i> | <i>Qty.</i> | <i>Description</i>   |
|-------------|--------------------|-------------|----------------------|-------------|--------------------|-------------|----------------------|
| 1           | 135-4152           | 1           | Crankshaft ASM       | 16          | 135-4163           | 3           | Piston ASM           |
| 2           | 125-6995           | 1           | Pin                  | 18          | 135-4164           | 3           | Ring ASM             |
| 4           | 135-4153           | 1           | Gear-Crankshaft      | 22          | 135-4165           | 3           | Pin-Piston           |
| 5           | 135-4154           | 1           | Key                  | 23          | 135-4166           | 6           | Ring                 |
| 7           | 125-6951           | 5           | Bolt                 | 24          | 134-4005           | 3           | Connecting Rod ASM   |
| 8           | 134-4002           | 1           | Flywheel Assy        | 27          | 135-4168           | 6           | Bolt-Rod, Connecting |
| 10          | 125-6943           | 1           | Gear                 | 28          | 135-4169           | 3           | Bearing-Pin, Crank   |
| 11          | 134-4003           | 1           | V-Pulley, Crankshaft | 30          | 134-4006           | 3           | Bushing-Pin, Piston  |
| 12          | 135-4159           | 1           | Bolt-Flange          | 31          | 135-4171           | 3           | Bearing-Pin (0.25)   |
| 13          | 134-4004           | 1           | Packing-Washer       | 33          | 134-4007           | 3           | Piston ASM (0.25 Os) |
| 14          | 135-4161           | 1           | Washer               | 34          | 135-4173           | 3           | Ring ASM             |
| 15          | 135-4154           | 1           | Key                  |             |                    |             |                      |

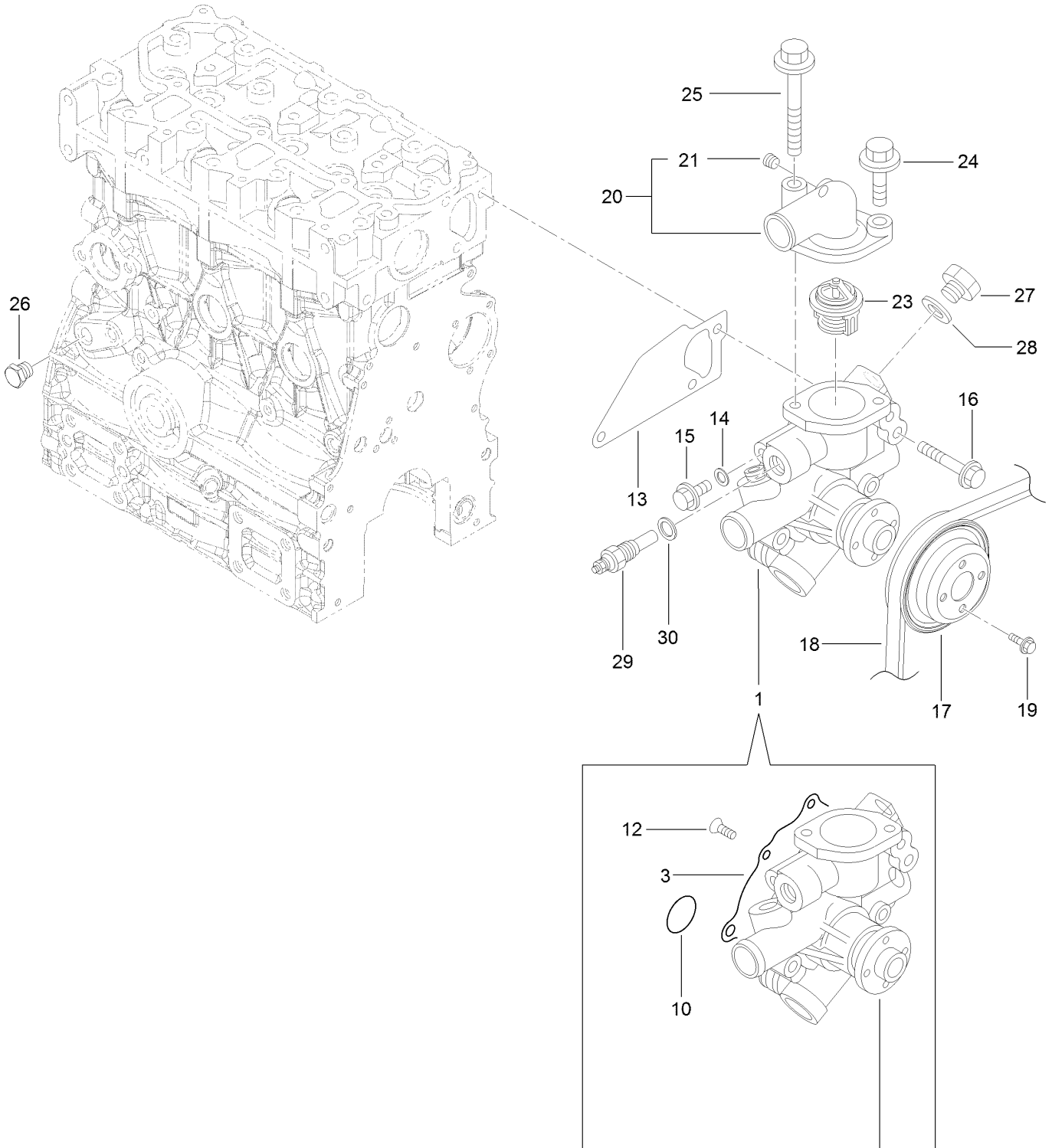
# Lubrication and Oil System Assembly



## Lubrication and Oil System Assembly (continued)

| <i>Ref.</i> | <i>Part Number</i> | <i>Qty.</i> | <i>Description</i> | <i>Ref.</i> | <i>Part Number</i> | <i>Qty.</i> | <i>Description</i> |
|-------------|--------------------|-------------|--------------------|-------------|--------------------|-------------|--------------------|
| 1           | 134-1413           | 1           | Dipstick           | 12          | 135-4182           | 1           | Pipe-Oil           |
| 2           | 125-6954           | 1           | Guide-Dipstick     | 13          | 125-6988           | 2           | Joint Bolt ASM     |
| 3           | 134-4008           | 1           | Stud               | 14          | 125-7174           | 2           | Washer-Seal        |
| 5           | 135-4178           | 1           | O-Ring             | 15          | 125-7194           | 2           | Bolt-Joint         |
| 6           | 134-1414           | 1           | Oil Inlet Pipe ASM | 16          | 125-7174           | 2           | Washer-Seal        |
| 10          | 125-7205           | 2           | Bolt               | 17          | 135-4181           | 1           | Filter-Oil, Engine |
| 11          | 134-1377           | 1           | Switch-Hydraulic   |             |                    |             |                    |

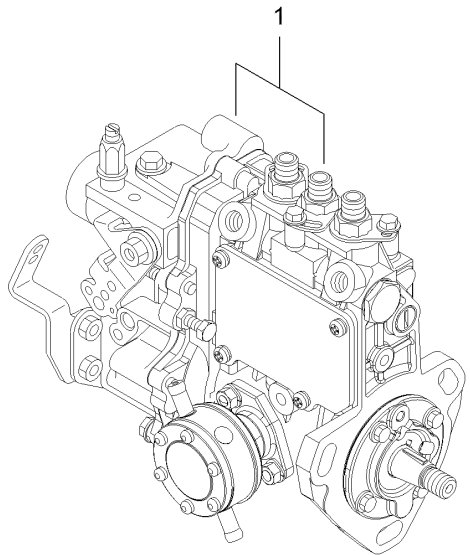
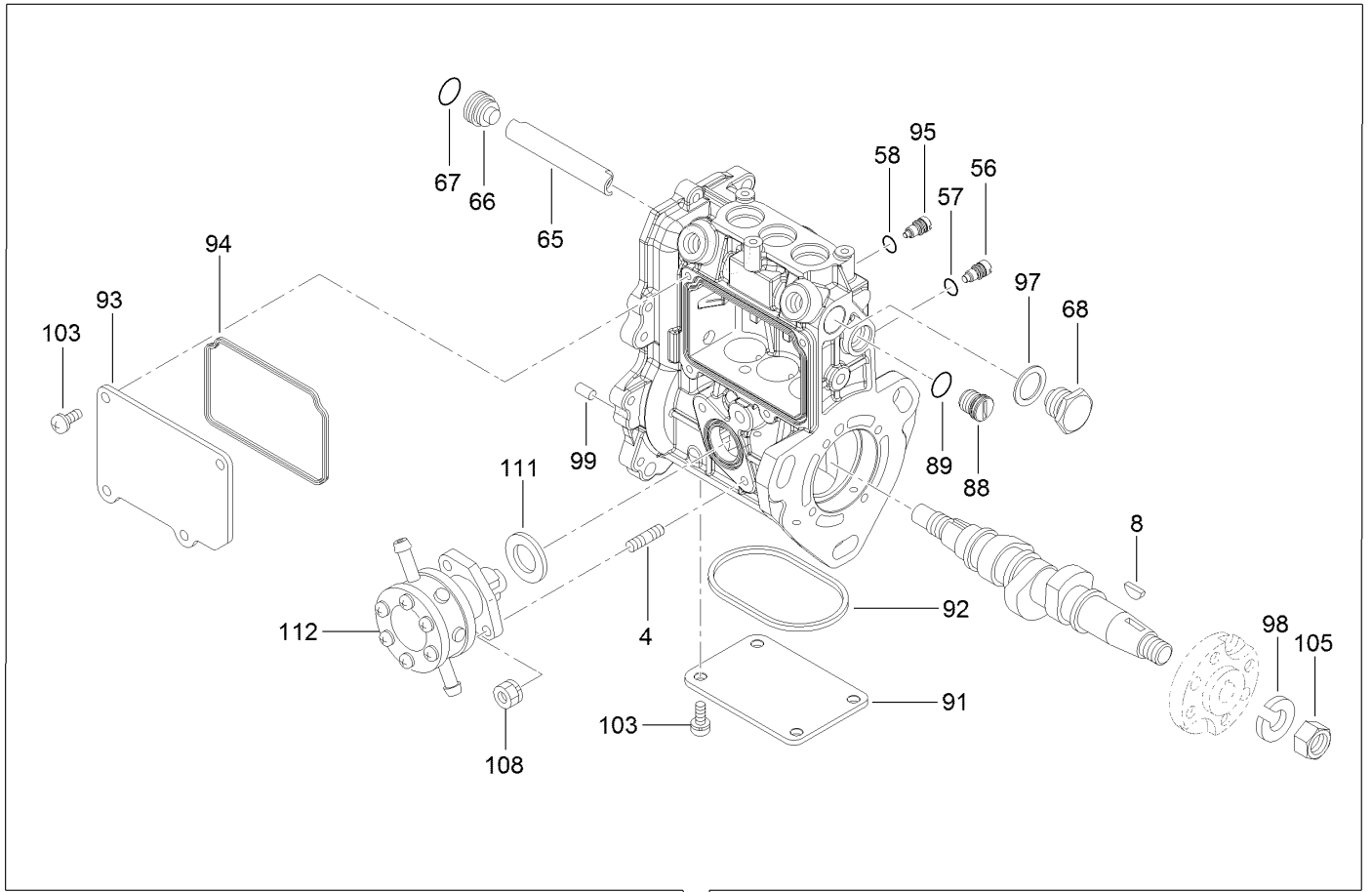
# Cooling Water System Assembly



## Cooling Water System Assembly (continued)

| <i>Ref.</i> | <i>Part Number</i> | <i>Qty.</i> | <i>Description</i> | <i>Ref.</i> | <i>Part Number</i> | <i>Qty.</i> | <i>Description</i> |
|-------------|--------------------|-------------|--------------------|-------------|--------------------|-------------|--------------------|
| 1           | 134-4009           | 1           | CW Pump ASM        | 20          | 134-1390           | 1           | Cover ASM          |
| 3           | 135-4188           | 1           | Gasket             | 21          | 134-1381           | 1           | Plug               |
| 10          | 135-4190           | 1           | O-Ring             | 23          | 135-4200           | 1           | Thermostat         |
| 12          | 133-2504           | 4           | Screw              | 24          | 125-7215           | 1           | Bolt               |
| 13          | 135-4193           | 1           | Gasket-Pump, Water | 25          | 135-4202           | 1           | Bolt               |
| 14          | 125-7192           | 1           | Gasket             | 26          | 125-7171           | 1           | Plug-Drain         |
| 15          | 125-7212           | 1           | Bolt               | 27          | 125-6953           | 1           | Plug               |
| 16          | 125-7220           | 3           | Bolt               | 28          | 125-6979           | 1           | Gasket             |
| 17          | 134-1417           | 1           | V-Pulley           | 29          | 134-3128           | 1           | Sensor-Temperature |
| 18          | 134-1455           | 1           | V-Belt             | 30          | 134-4010           | 1           | Gasket             |
| 19          | 125-7206           | 4           | Bolt               |             |                    |             |                    |

# Fuel Injection Pump Assembly

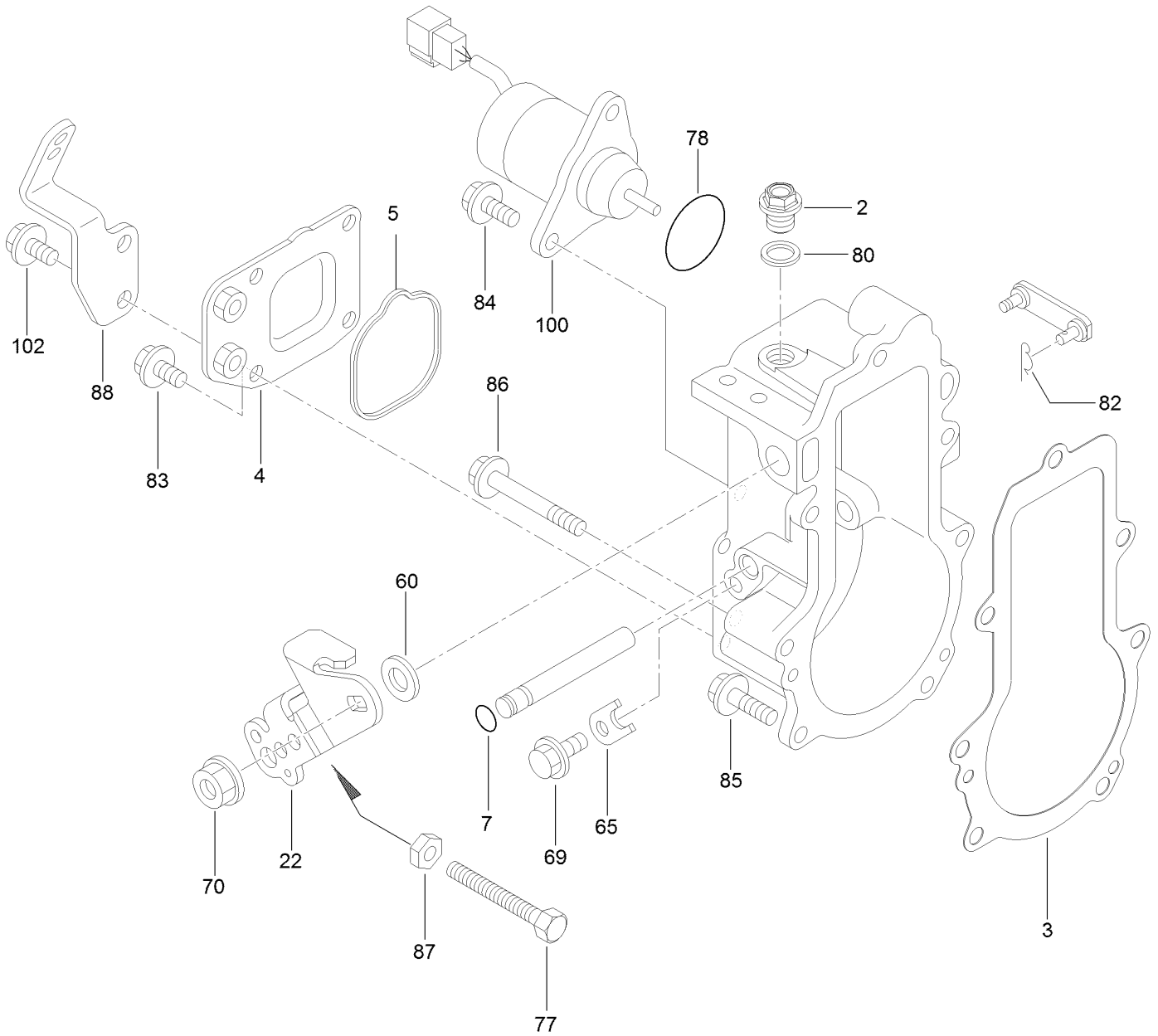




## Fuel Injection Pump Assembly (continued)

| <i>Ref.</i> | <i>Part Number</i> | <i>Qty.</i> | <i>Description</i>    | <i>Ref.</i> | <i>Part Number</i> | <i>Qty.</i> | <i>Description</i> |
|-------------|--------------------|-------------|-----------------------|-------------|--------------------|-------------|--------------------|
| 1           | 134-4011           | 1           | Fie Assy              | 92          | 135-4216           | 1           | Gasket             |
| 4           | 135-4205           | 2           | Bolt-Stud             | 93          | 135-4217           | 1           | Cover              |
| 8           | 135-4206           | 1           | Key-Feather, Woodruff | 94          | 135-4218           | 1           | Gasket             |
| 56          | 125-7156           | 3           | Stopper               | 95          | 135-4219           | 1           | Stopper-Rack       |
| 57          | 135-4207           | 3           | O-Ring                | 97          | 136-8236           | 1           | Washer-Seal        |
| 58          | 135-4207           | 1           | O-Ring                | 98          | 135-4220           | 1           | Washer-Spring      |
| 65          | 135-4209           | 1           | Deflector             | 99          | 125-7183           | 2           | Pin-Spring         |
| 66          | 135-4210           | 1           | Plug-Deflector        | 103         | 135-4221           | 8           | Screw              |
| 67          | 135-4211           | 1           | O-Ring                | 105         | 133-2506           | 1           | Nut                |
| 68          | 135-4212           | 1           | Plug-Deflector        | 108         | 135-4222           | 2           | Nut                |
| 88          | 135-4213           | 1           | Plug-Rack             | 111         | 135-4223           | 1           | Gasket             |
| 89          | 135-4214           | 1           | O-Ring                | 112         | 134-1470           | 1           | Fuel Feed Pump ASM |
| 91          | 135-4215           | 1           | Cover                 |             |                    |             |                    |

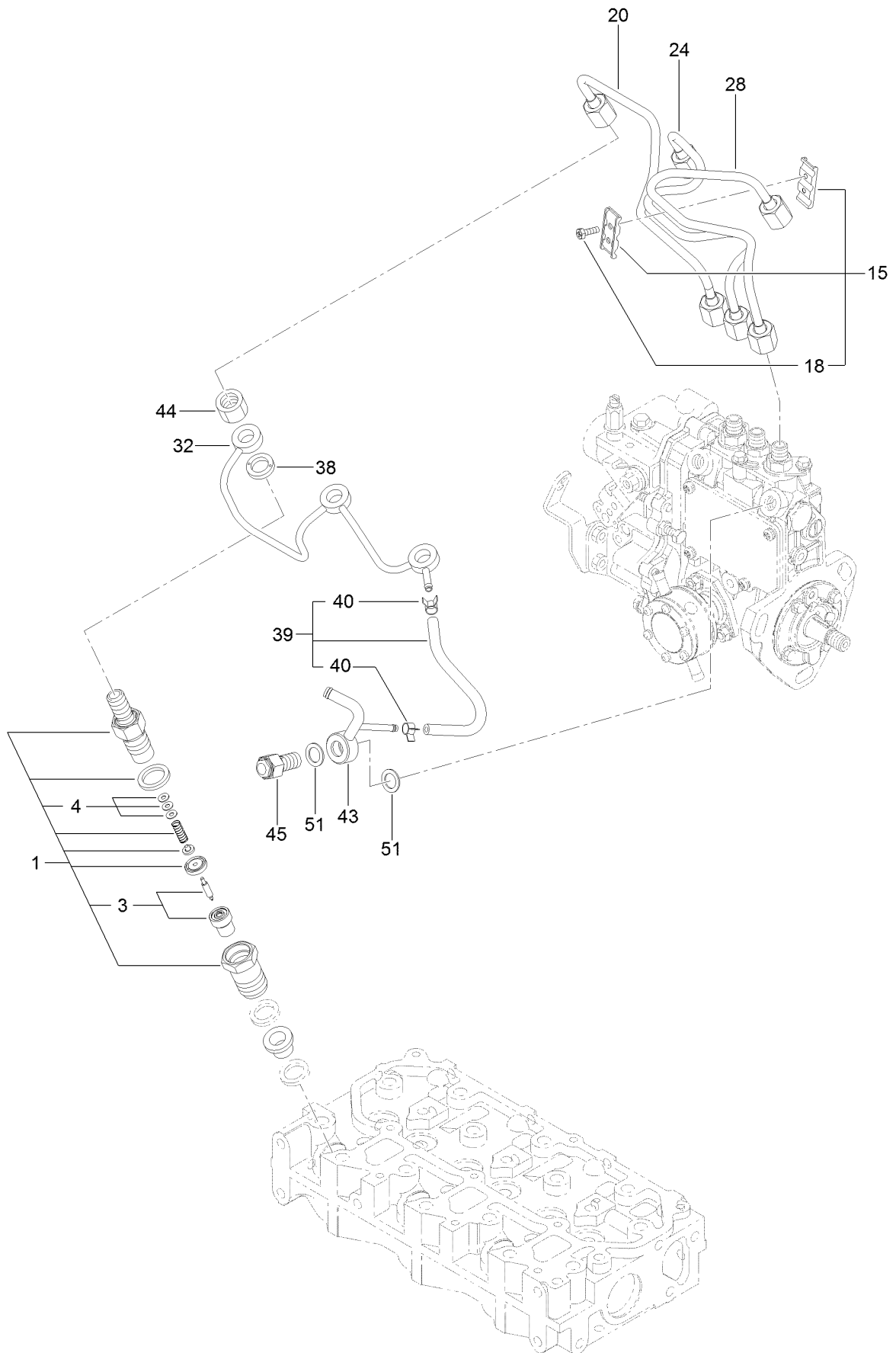
# Governor Assembly



## Governor Assembly (continued)

| <i>Ref.</i> | <i>Part Number</i> | <i>Qty.</i> | <i>Description</i>   | <i>Ref.</i> | <i>Part Number</i> | <i>Qty.</i> | <i>Description</i> |
|-------------|--------------------|-------------|----------------------|-------------|--------------------|-------------|--------------------|
| 2           | 135-4226           | 1           | Plug                 | 78          | 134-1520           | 1           | O-Ring             |
| 3           | 135-4227           | 1           | Gasket               | 80          | 125-7175           | 1           | Washer-Seal        |
| 4           | 134-1449           | 1           | Cover-Case, Governor | 82          | 134-1529           | 1           | Pin                |
| 5           | 134-1435           | 1           | Gasket               | 83          | 125-7205           | 4           | Bolt               |
| 7           | 135-4207           | 1           | O-Ring               | 84          | 125-7207           | 2           | Bolt               |
| 22          | 134-1385           | 1           | Lever-Control        | 85          | 125-7209           | 4           | Bolt               |
| 60          | 134-1518           | 1           | Shim Set             | 86          | 136-8256           | 3           | Bolt               |
| 65          | 134-1395           | 1           | Stopper-Shaft        | 87          | 134-4014           | 1           | Nut                |
| 69          | 125-7205           | 1           | Bolt                 | 88          | 134-1450           | 1           | Support-Wire       |
| 70          | 134-4012           | 1           | Nut-M8               | 100         | 134-4015           | 1           | Solenoid, Stop     |
| 77          | 134-4013           | 1           | Bolt-Limit, Idle     | 102         | 125-7205           | 2           | Bolt               |

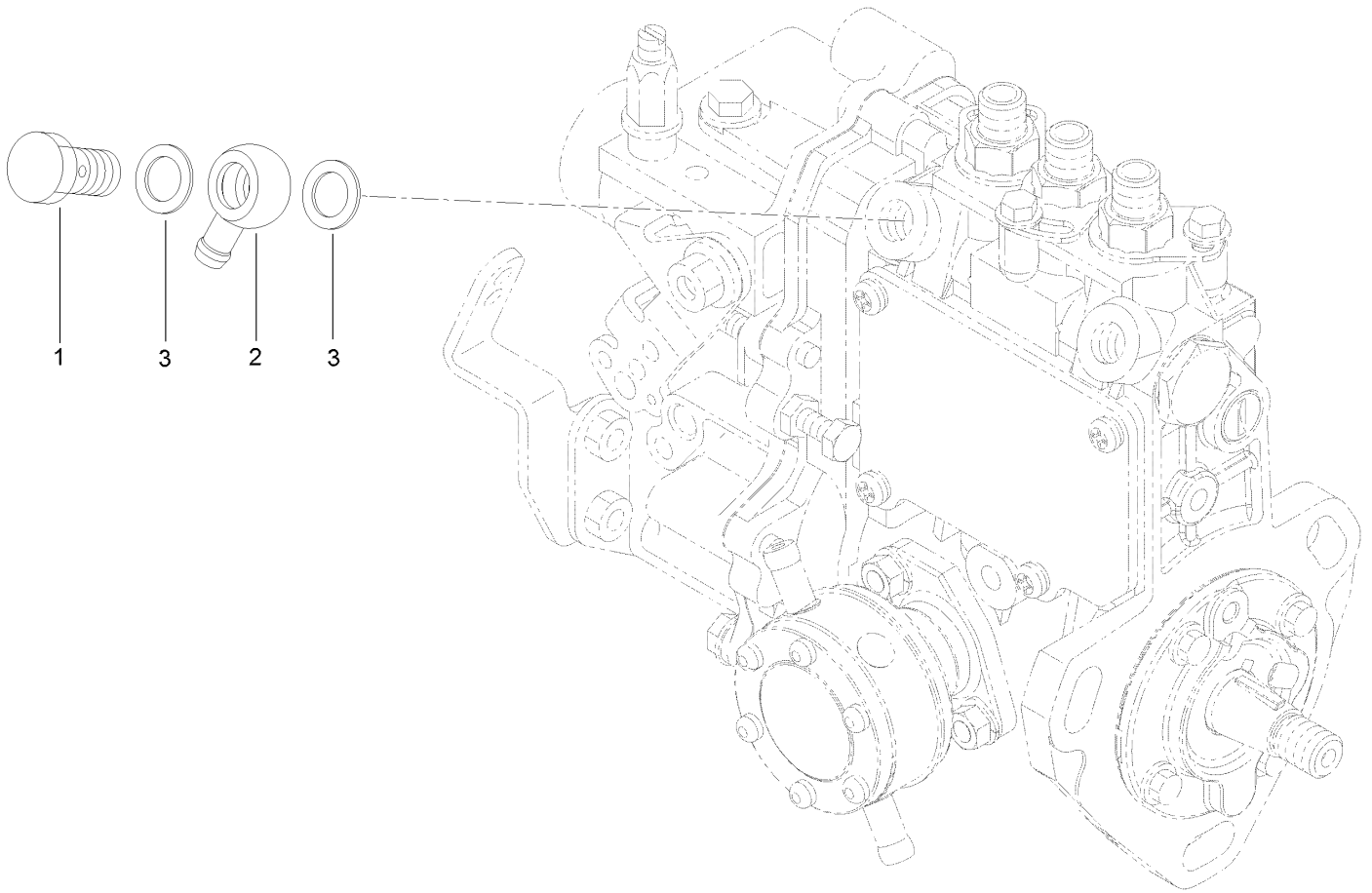
# Fuel Injection Valve Assembly



## Fuel Injection Valve Assembly (continued)

| <i>Ref.</i> | <i>Part Number</i> | <i>Qty.</i> | <i>Description</i> | <i>Ref.</i> | <i>Part Number</i> | <i>Qty.</i> | <i>Description</i> |
|-------------|--------------------|-------------|--------------------|-------------|--------------------|-------------|--------------------|
| 1           | 135-4229           | 3           | Nozzle ASM         | 32          | 134-1431           | 1           | Return Pipe ASM    |
| 3           | 135-4230           | 3           | Nozzle ASM         | 38          | 135-4237           | 3           | Gasket             |
| 4           | 135-4231           | 3           | Adjusting Shim Set | 39          | 135-4238           | 1           | Hose ASM           |
| 15          | 134-1488           | 1           | Retainer-Pipe      | 40          | 136-8225           | 2           | Clamp-Hose         |
| 18          | 125-7027           | 2           | Bolt               | 43          | 134-1384           | 1           | Joint-Overflow     |
| 20          | 135-4233           | 1           | Pipe ASM (Inj No1) | 44          | 135-4240           | 3           | Nut-Nozzle         |
| 24          | 135-4234           | 1           | Pipe ASM (Inj No2) | 45          | 135-4241           | 1           | Check Valve ASM    |
| 28          | 135-4235           | 1           | Pipe ASM (Inj No3) | 51          | 125-7176           | 2           | Washer-Seal        |

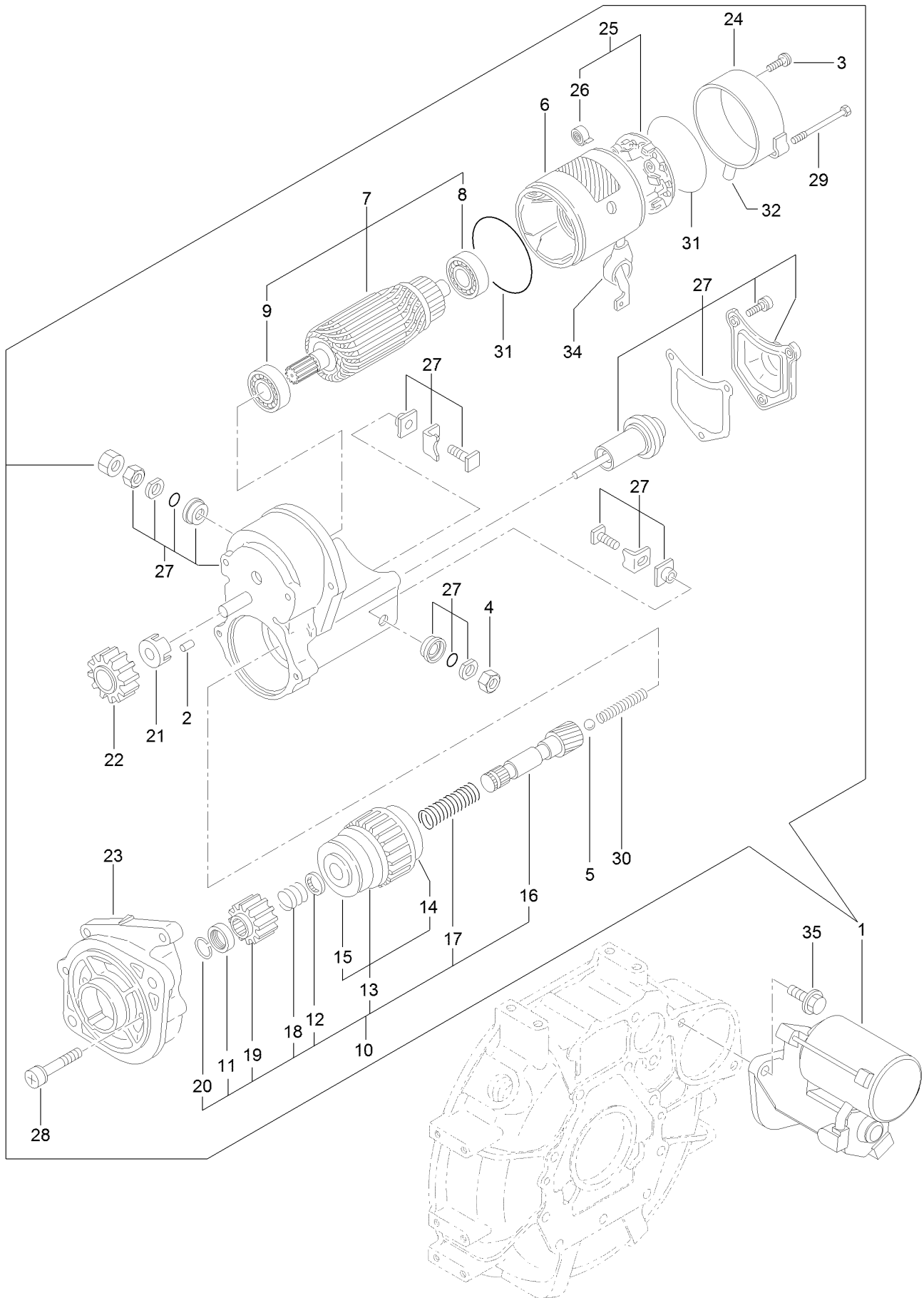
# Fuel Pipe Assembly



## Fuel Pipe Assembly (continued)

| <i>Ref.</i> | <i>Part Number</i> | <i>Qty.</i> | <i>Description</i> |
|-------------|--------------------|-------------|--------------------|
| 1           | 135-4242           | 1           | Bolt-Joint, Pipe   |
| 2           | 135-4243           | 1           | Joint-Pipe         |
| 3           | 125-7176           | 2           | Washer-Seal        |

# Starter Motor Assembly

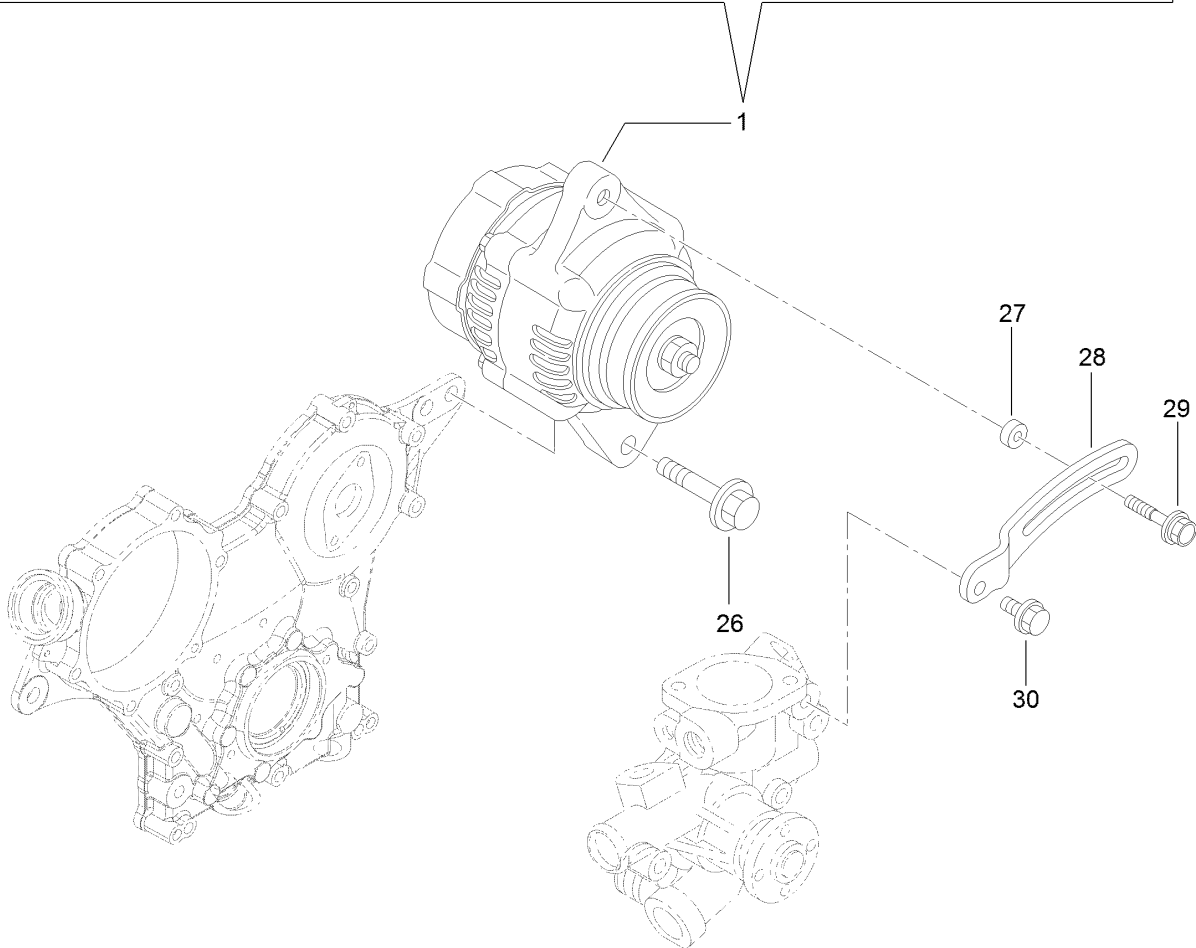
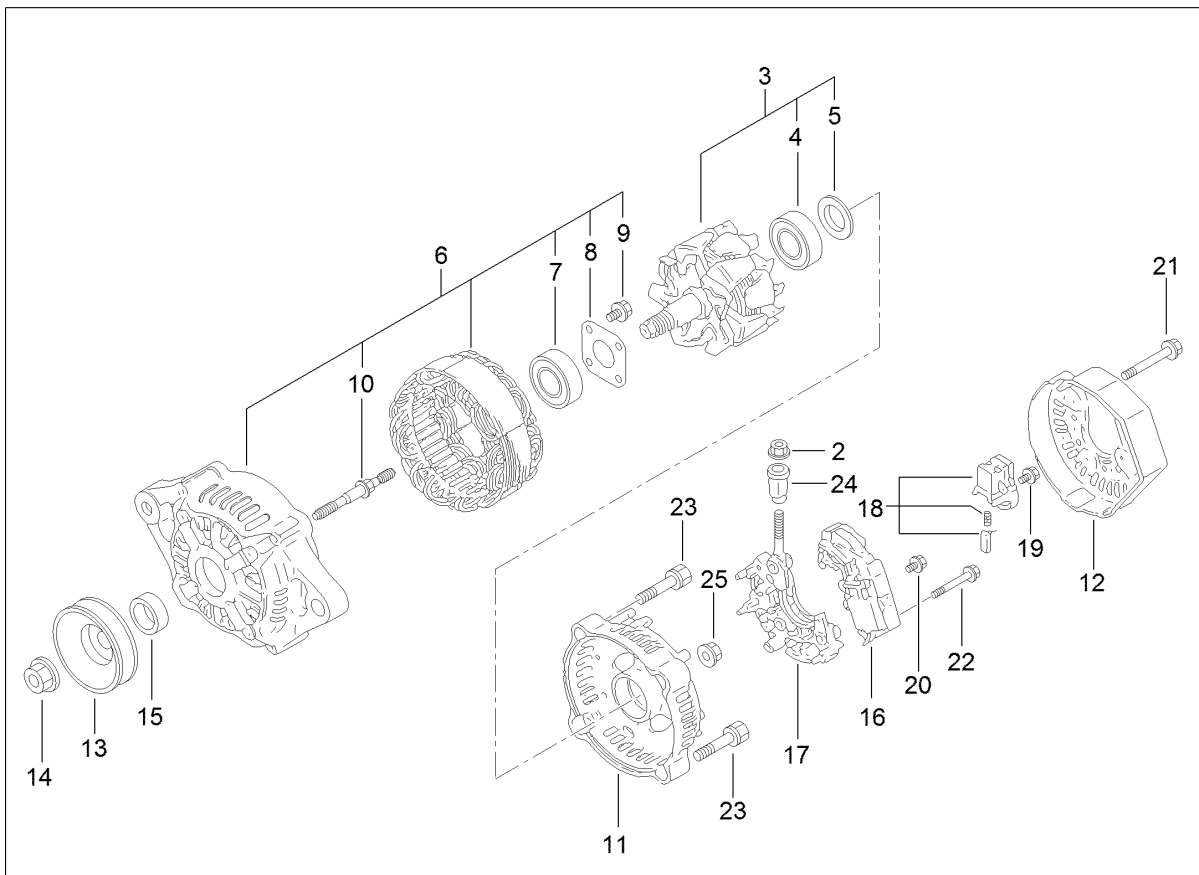




## Starter Motor Assembly (continued)

| <i>Ref.</i> | <i>Part Number</i> | <i>Qty.</i> | <i>Description</i> | <i>Ref.</i> | <i>Part Number</i> | <i>Qty.</i> | <i>Description</i> |
|-------------|--------------------|-------------|--------------------|-------------|--------------------|-------------|--------------------|
| 1           | 134-1448           | 1           | Starter            | 18          | 134-1515           | 1           | Spring             |
| 2           | 134-1546           | 5           | Roller             | 19          | 134-1548           | 1           | Pinion-Starter     |
| 3           | 134-1487           | 2           | Screw              | 20          | 134-1484           | 1           | Ring-Snap          |
| 4           | 134-1552           | 1           | Nut                | 21          | 134-1474           | 1           | Retainer           |
| 5           | 134-1553           | 1           | Ball-Steel         | 22          | 134-1475           | 1           | Pinion             |
| 6           | 134-1510           | 1           | Yoke ASM           | 23          | 134-1551           | 1           | Housing            |
| 7           | 134-1511           | 1           | Armature ASM       | 24          | 134-1512           | 1           | Cover              |
| 8           | 134-1472           | 1           | Bearing-Ball       | 25          | 134-1513           | 1           | Holder ASM         |
| 9           | 134-1473           | 1           | Bearing-Ball       | 26          | 134-1554           | 4           | Spring             |
| 10          | 134-1549           | 1           | Starter Kit        | 27          | 134-1550           | 1           | Switch ASM         |
| 11          | 134-1545           | 1           | Nut                | 28          | 134-1476           | 2           | Bolt               |
| 12          | 134-1547           | 1           | Retainer           | 29          | 134-1514           | 2           | Bolt               |
| 13          | 134-1481           | 1           | Clutch ASM         | 30          | 134-1477           | 1           | Spring             |
| 14          | 134-1485           | 1           | Bearing-Ball       | 31          | 134-1478           | 2           | O-Ring             |
| 15          | 134-1486           | 1           | Bearing-Ball       | 32          | 134-1479           | 1           | Cover              |
| 16          | 134-1482           | 1           | Shaft-Starter      | 34          | 134-1480           | 1           | Cap                |
| 17          | 134-1483           | 1           | Spring             | 35          | 133-2496           | 2           | Bolt               |

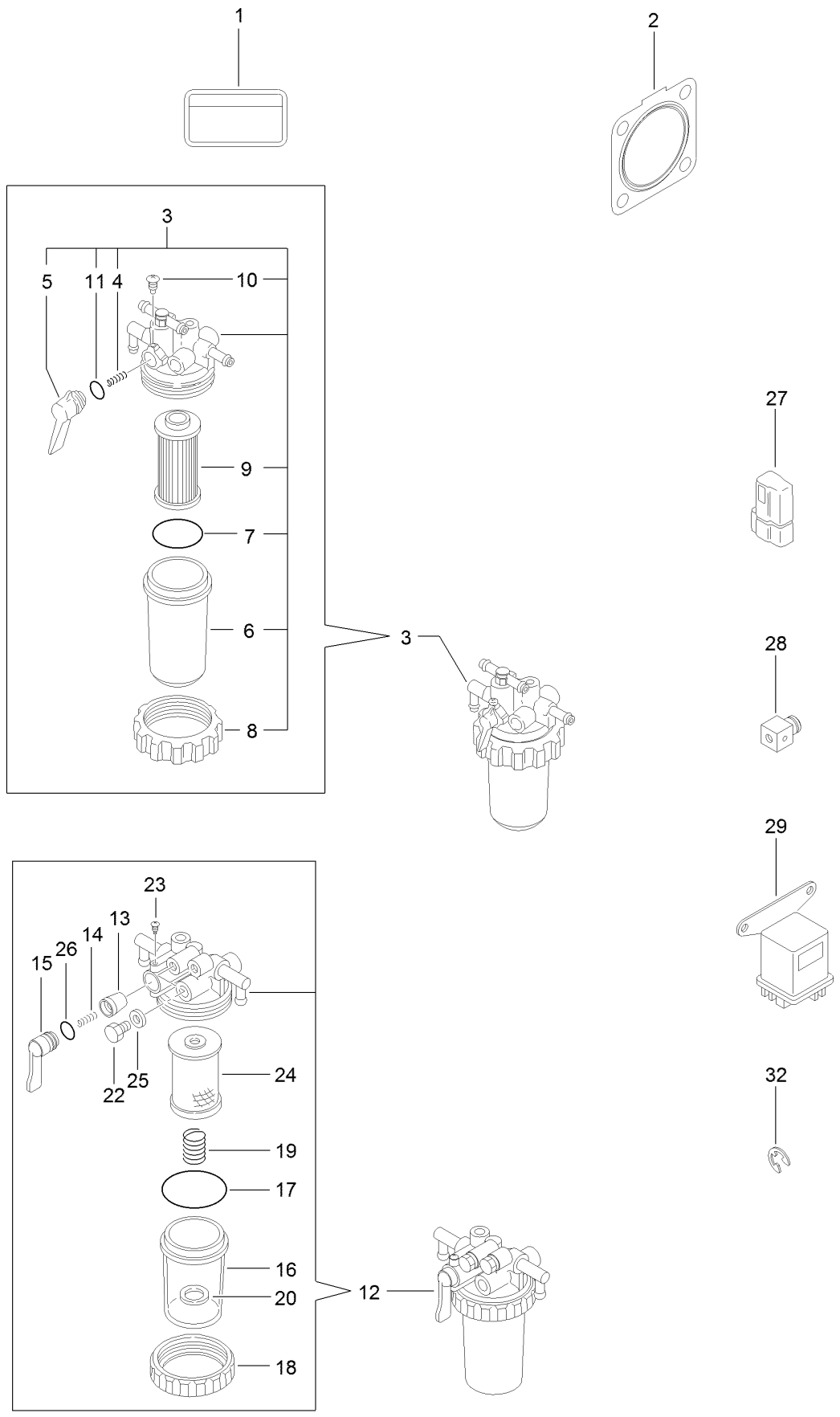
# Generator Assembly



## Generator Assembly (continued)

| <i>Ref.</i> | <i>Part Number</i> | <i>Qty.</i> | <i>Description</i>  | <i>Ref.</i> | <i>Part Number</i> | <i>Qty.</i> | <i>Description</i> |
|-------------|--------------------|-------------|---------------------|-------------|--------------------|-------------|--------------------|
| 1           | 134-4016           | 1           | Alternator, 12V-55A | 16          | 134-4018           | 1           | Regulator ASM      |
| 2           | 127-3190           | 1           | Nut                 | 17          | 127-3848           | 1           | Holder             |
| 3           | 127-3843           | 1           | Rotor ASM           | 18          | 127-2993           | 1           | Holder             |
| 4           | 127-2983           | 1           | Bearing-Ball        | 19          | 127-2965           | 6           | Screw              |
| 5           | 127-2962           | 1           | Cover               | 20          | 127-2966           | 1           | Screw              |
| 6           | 135-4025           | 1           | Frame ASM           | 21          | 127-2967           | 3           | Bolt               |
| 7           | 127-2958           | 1           | Bearing-Ball        | 22          | 127-2968           | 2           | Screw              |
| 8           | 127-2959           | 1           | Plate-Retainer      | 23          | 127-2969           | 2           | Bolt               |
| 9           | 127-2960           | 4           | Screw               | 24          | 127-2970           | 1           | Bushing-Insulation |
| 10          | 127-2961           | 2           | Stud                | 25          | 127-2971           | 2           | Nut                |
| 11          | 127-3845           | 1           | Frame               | 26          | 135-4277           | 1           | Bolt               |
| 12          | 134-4017           | 1           | Cover, End          | 27          | 125-6947           | 1           | Spacer             |
| 13          | 127-2954           | 1           | Pulley              | 28          | 135-4279           | 1           | Adjuster-Belt      |
| 14          | 127-2955           | 1           | Nut                 | 29          | 125-7134           | 1           | Bolt               |
| 15          | 127-2957           | 1           | Collar              | 30          | 125-7595           | 1           | Bolt               |

# Accessory Assembly



## Accessory Assembly (continued)

| <i>Ref.</i> | <i>Part Number</i> | <i>Qty.</i> | <i>Description</i>      | <i>Ref.</i> | <i>Part Number</i> | <i>Qty.</i> | <i>Description</i>  |
|-------------|--------------------|-------------|-------------------------|-------------|--------------------|-------------|---------------------|
| 1           | 125-6900           | 1           | Label-Caution, Fuel Oil | 16          | 134-1462           | 1           | Cup-Strainer, Fuel  |
| 2           | 134-1383           | 1           | Gasket-Silencer         | 17          | 134-1371           | 1           | O-Ring              |
| 3           | 134-1447           | 1           | Fuel Filter ASM         | 18          | 134-1376           | 1           | Ring-Retaining, Cup |
| 4           | 134-1373           | 1           | Spring-Valve, Fuel      | 19          | 134-1555           | 1           | Spring              |
| 5           | 134-1454           | 1           | Lever-Fuel              | 20          | 134-1461           | 1           | Float               |
| 6           | 134-1459           | 1           | Cup-Strainer, Fuel      | 22          | 134-1370           | 2           | Plug-Hex            |
| 7           | 134-1371           | 1           | O-Ring                  | 23          | 134-1375           | 1           | Screw-Pan           |
| 8           | 134-1376           | 1           | Ring-Retaining, Cup     | 24          | 134-1524           | 1           | Filter-Fuel         |
| 9           | 134-3085           | 1           | Element-Filter, Fuel    | 25          | 134-1531           | 2           | Gasket              |
| 10          | 134-1375           | 1           | Screw-Pan               | 26          | 134-1535           | 1           | O-Ring              |
| 11          | 134-1535           | 1           | O-Ring                  | 27          | 134-1393           | 1           | Diode               |
| 12          | 134-3086           | 1           | Water Separator ASM     | 28          | 134-1465           | 1           | Retainer            |
| 13          | 134-1372           | 1           | Valve-Taper             | 29          | 134-1394           | 1           | Glow Relay ASM      |
| 14          | 134-1373           | 1           | Spring-Valve, Fuel      | 32          | 134-1528           | 1           | Ring                |
| 15          | 134-1374           | 1           | Handle, Cock            |             |                    |             |                     |

# Attachments and Accessories

## For 31050TE ProLine H800 Rotary Mower

| <b>Product Name</b>                                         | <b>Model/Part</b> |
|-------------------------------------------------------------|-------------------|
| Slope Sensor Kit.....                                       | 02950             |
| TÜV 15 KPH Speed Decal Kit.....                             | 02969             |
| TÜV 25 KPH Speed Decal Kit.....                             | 02990             |
| Mulching Kit.....                                           | 134-1718          |
| Arm Rest Kit.....                                           | 134-3594          |
| Debris Suppression Kit.....                                 | 134-4690          |
| Bimini Sunshade for 2-Post Roll-Over Protection System..... | 30358             |

**Notes:**



**Count on it.**