



Count on it.

Parts Catalog

ProLine H800

Rotary Mower

Model No. 31051—Serial No. 321000000 and Up



Ordering Replacement Parts

To order replacement parts, please supply the part number, the quantity, and the description of each part desired.

Understanding Reference Numbers

Each identified part in an illustration has a reference number. The reference number for a part also appears in the parts list, along with other information about the part.

This catalog uses two special reference number formats, one to indicate parts in a service assembly and another to indicate the quantity of a given part in an illustration.

Service Assembly Reference Numbers

Parts in service assemblies have reference numbers in the form a:b. The a represents the reference number of the entire service assembly and the b represents a sequential number unique to each part within the service assembly.

For example, a wheel assembly might be identified by reference number 6, the tire by 6:1, the valve by 6:2, and the wheel by 6:3. When you order the assembly identified by reference number 6, you receive all parts identified by reference numbers 6:1, 6:2, and 6:3. However, you may also order any part individually. Reference numbers of this type appear in illustration and in parts lists.

Reference Numbers Indicating Quantity

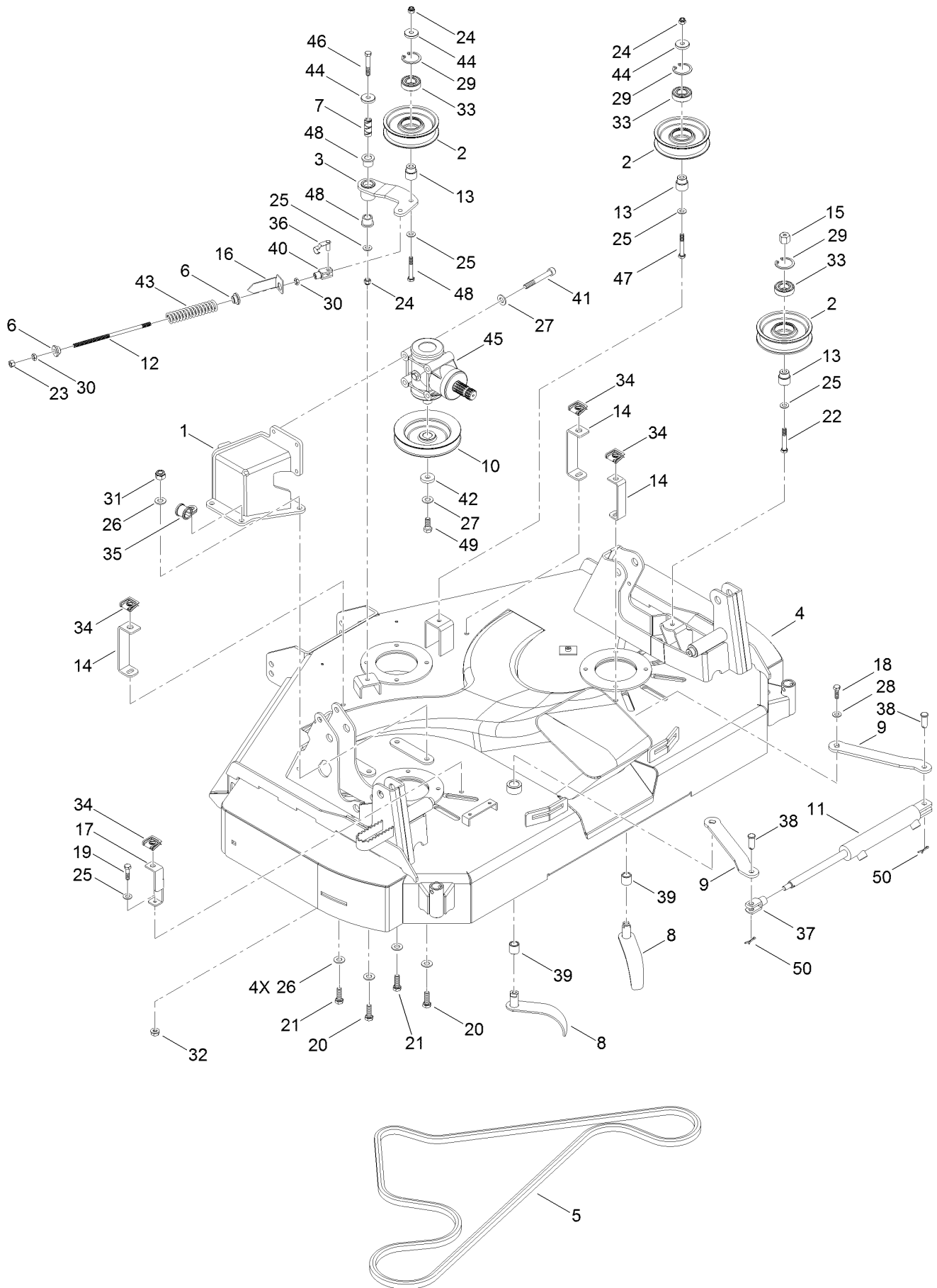
In an illustration, if a reference number indicates more than one part, the reference number has the form nX y. The n represents the quantity of the part, the X is the multiplication symbol, and the y represents the reference number.

For example, in an illustration, the reference number 2X 37 means that two of the parts identified by reference number 37 are indicated.

Contents

132 cm Cutting Deck Belt and Idlers Assembly	4
Mower Deck Hydraulic Assembly	6
132 cm Cutting Deck Blade and Pulley Assembly	8
Basket Lift Frame Assembly	10
Basket Assembly	12
Brakes Assembly	14
Cooling Assembly	16
Electric Equipment Assembly	18
Body Assembly	20
Frame Assembly	22
Flat Frame Assembly	24
Grass Conveyor Hood Assembly	26
Gearbox Assembly No. 134-0623	28
Lighting Assembly	30
Lift Arms Assembly	32
Lubrication Service Assembly	34
Oil Filter System Assembly	36
Engine, Pump and Friction Assembly	38
Engine, Fuel and Suction Assembly	40
Operator Platform Assembly	42
Oil System Motors Assembly	44
Road Basket Assembly	46
Rear Axle Assembly	48
Transmission, PTO and Drive Shaft Assembly	50
Fuel and Oil Tank Assembly	52
Cylinder Block Assembly	54
Gear Housing Assembly	56
Flywheel Housing and Oil Sump Assembly	58
Cylinder Head and Cover Assembly	60
Exhaust Manifold Assembly	62
Camshaft and Driving Gear Assembly	64
Crankshaft and Piston Assembly	66
Lubrication and Oil System Assembly	68
Cooling Water System Assembly	70
Fuel Injection Pump Assembly	72
Governor Assembly	74
Fuel Injection Valve Assembly	76
Fuel Pipe Assembly	78
Starter Motor Assembly	80
Generator Assembly	82
Accessory Assembly	84
Attachments and Accessories	86

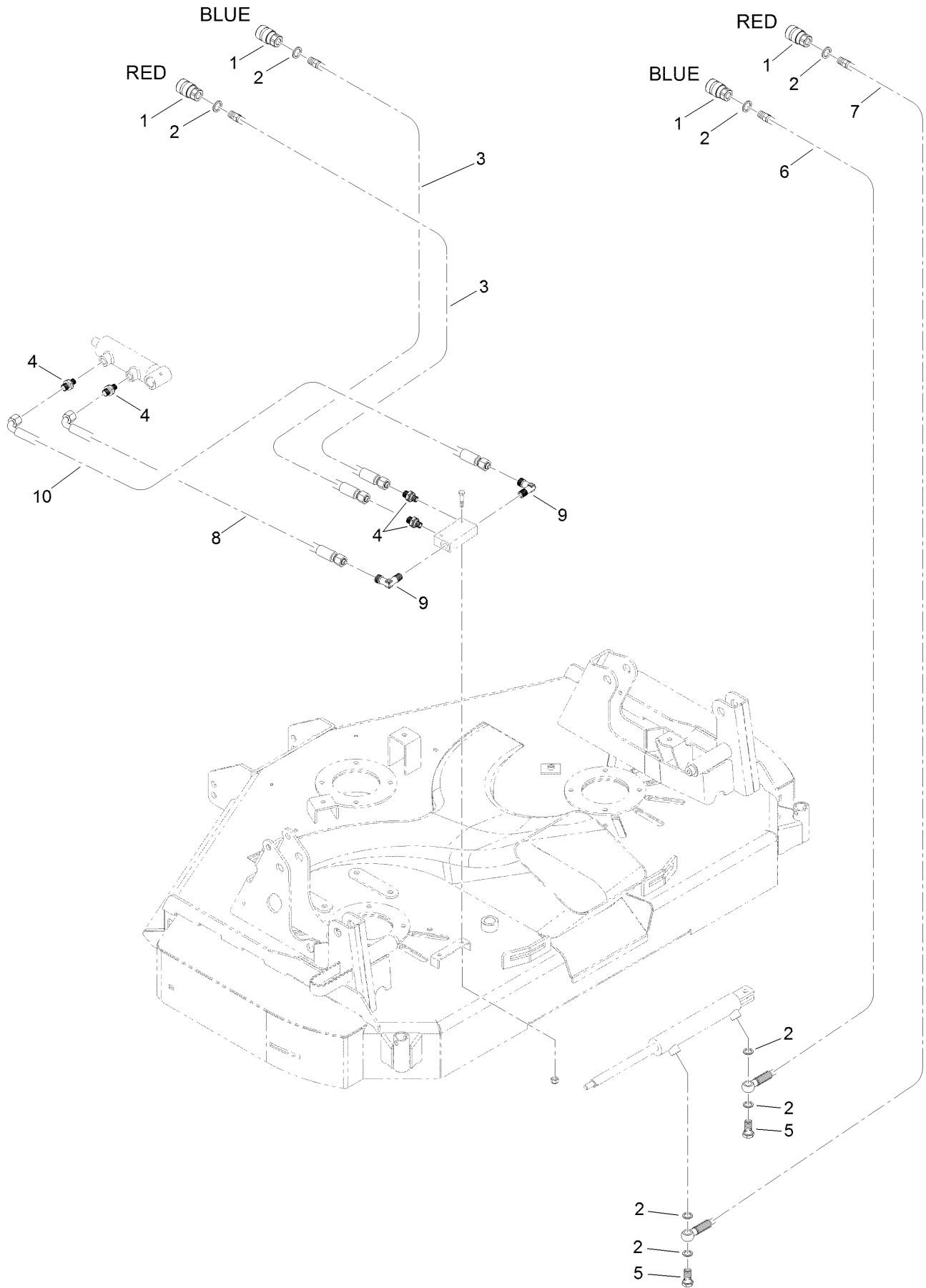
132 cm Cutting Deck Belt and Idlers Assembly



132 cm Cutting Deck Belt and Idlers Assembly (continued)

<i>Ref.</i>	<i>Part Number</i>	<i>Qty.</i>	<i>Description</i>	<i>Ref.</i>	<i>Part Number</i>	<i>Qty.</i>	<i>Description</i>
1	134-0835	1	Support-Gearbox	26	134-1046	5	Washer
2	134-4536	3	Pulley-Position, Neutral	27	134-1051	2	Washer
3	134-0655	1	Tightener-Belt, Cutter Deck	28	134-1054	1	Washer
4	134-0661	1	Fairing-Deck, Cutter	29	134-1058	3	Ring-Retaining, Int
5	134-0571	1	Belt-Deck, Cutter	30	134-1078	2	Nut
6	134-0712	2	Bushing	31	134-1081	1	Nut
7	134-0730	1	Spacer	32	134-1082	1	Nut
8	134-0808	2	Scraper	33	134-1108	3	Bearing
9	134-0815	2	Lever	34	134-1193	4	Plate-Small
10	134-0817	1	Pulley	35	134-1198	1	Clamp
11	134-0827	1	Ram	36	134-1239	1	Fork
12	134-0626	1	Rod	37	134-1241	1	Fork
13	134-0879	3	Bushing	38	134-1242	2	Pin
14	134-0883	3	Bracket	39	134-1265	2	Bushing-Bronze
15	134-0884	1	Spacer	40	134-1271	1	Fork-Clevis, M8
16	134-0892	1	Spring-Belt Tension Indicator	41	134-1316	1	Screw
17	134-0965	1	Bracket	42	134-1337	1	Washer
18	134-1011	1	Screw	43	134-1350	1	Spring
19	134-1014	1	Screw	44	134-1355	3	Washer
20	134-1019	2	Screw	45	134-0623	1	Gearbox ASM
21	134-1023	2	Screw	46	134-2953	1	Screw
22	134-1029	1	Screw	47	134-2955	2	Screw
23	134-1034	1	Nut	48	134-2954	2	Bushing
24	134-1038	3	Nut	49	134-2956	1	Screw
25	134-1045	5	Washer	50	134-2957	2	Pin-Split

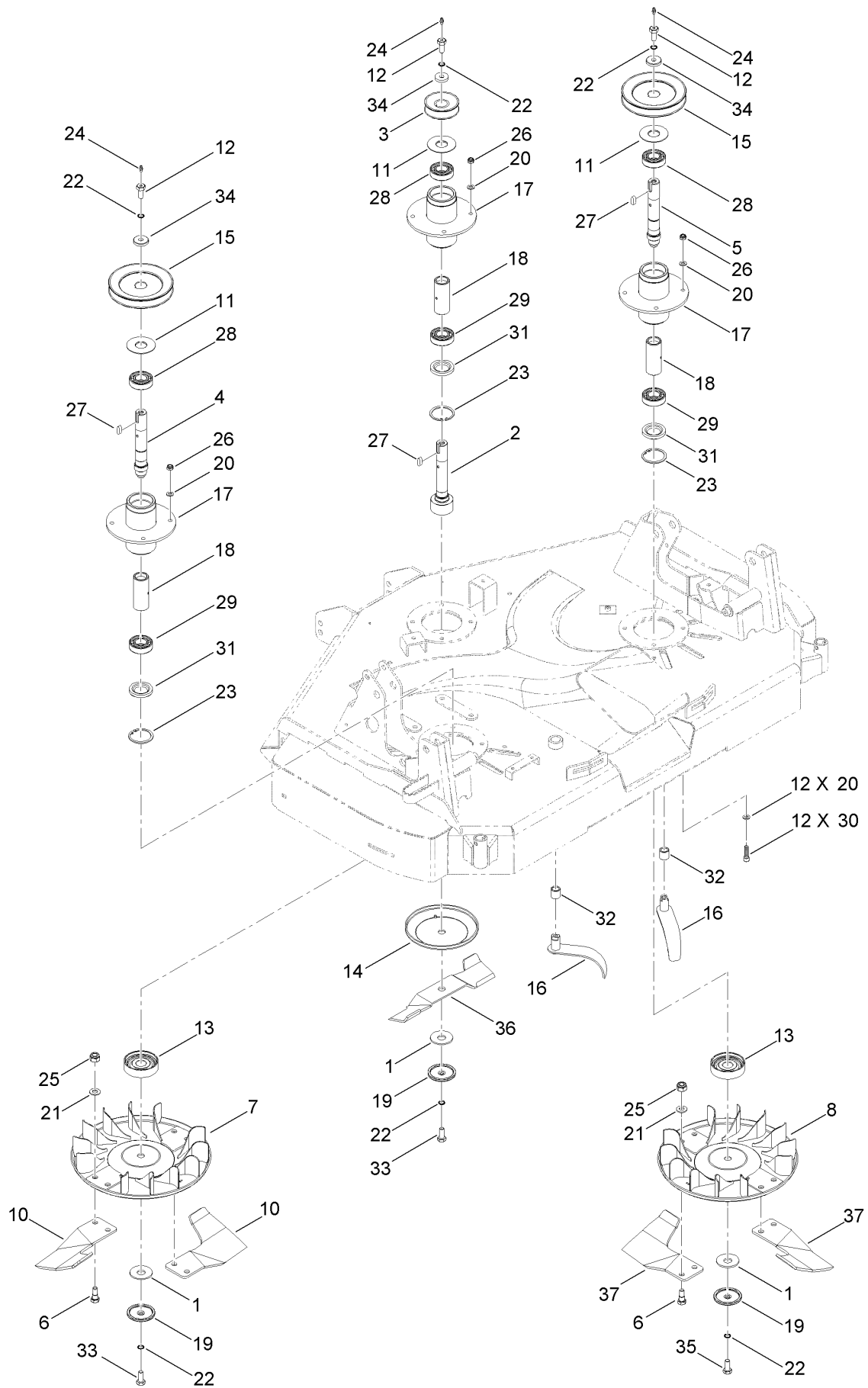
Mower Deck Hydraulic Assembly



Mower Deck Hydraulic Assembly (continued)

<i>Ref.</i>	<i>Part Number</i>	<i>Qty.</i>	<i>Description</i>	<i>Ref.</i>	<i>Part Number</i>	<i>Qty.</i>	<i>Description</i>
1	134-1206	4	Coupler-Quick, Female	6	134-3119	1	Hose-Hydraulic
2	134-1255	8	Washer	7	134-3120	1	Hose-Hydraulic
3	134-3118	2	Hose-Hydraulic	8	134-3121	1	Hose-Hydraulic
4	134-1270	4	Fitting-Nipple	9	134-3122	2	Fitting-Hydraulic
5	134-1102	2	Screw	10	134-3127	1	Hose-Hydraulic

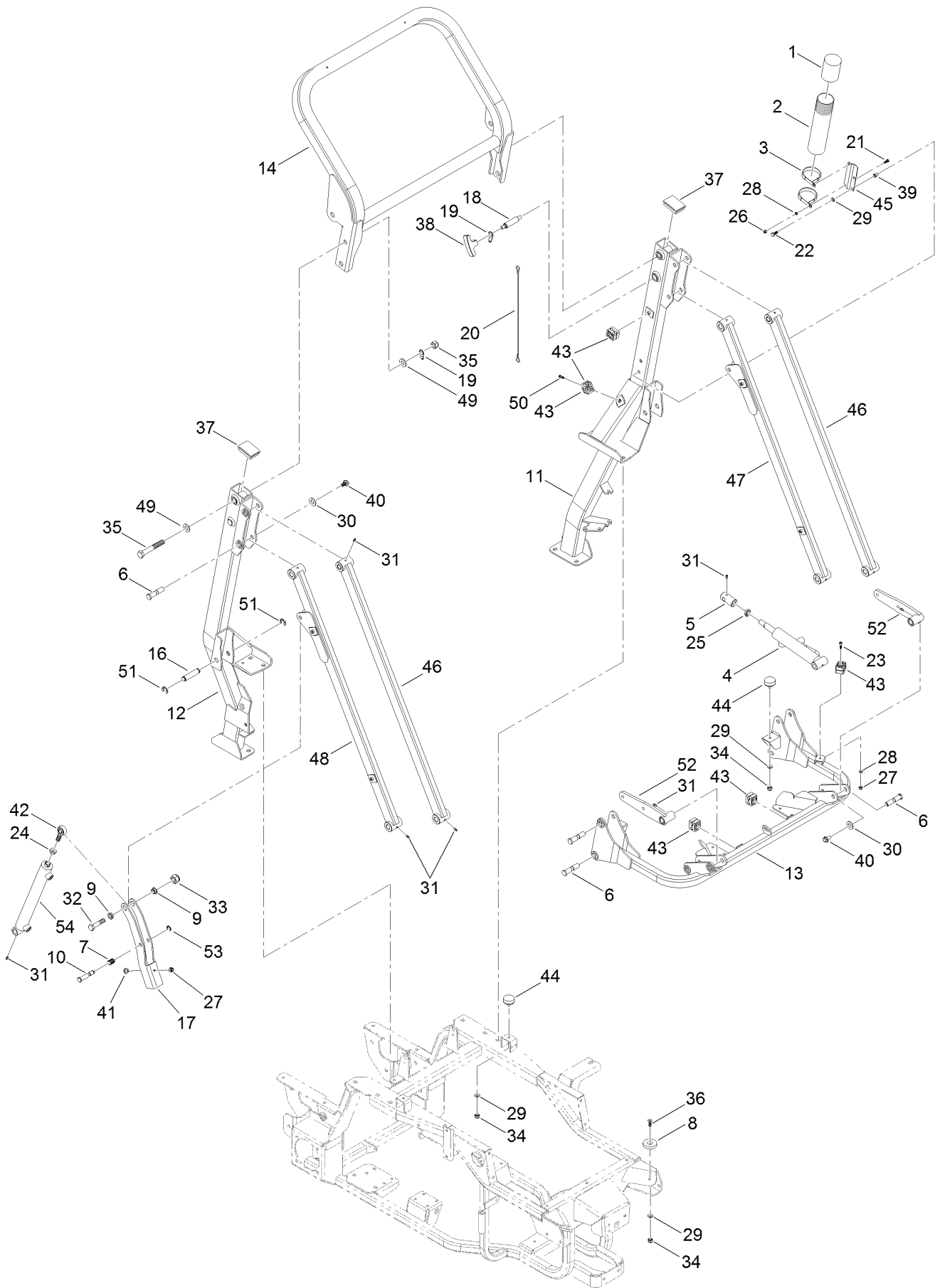
132 cm Cutting Deck Blade and Pulley Assembly



132 cm Cutting Deck Blade and Pulley Assembly (continued)

<i>Ref.</i>	<i>Part Number</i>	<i>Qty.</i>	<i>Description</i>	<i>Ref.</i>	<i>Part Number</i>	<i>Qty.</i>	<i>Description</i>
1	134-0579	3	Spring-Belleville	20	134-1045	15	Washer
2	134-0630	1	Shaft-Blade Hub, Central	21	134-1046	2	Washer
3	134-0631	1	Pulley	22	134-1051	6	Washer
4	134-0636	1	Shaft-Hub, LH Blade	23	134-1057	3	Ring-Retaining, Int
5	134-0637	1	Shaft-Hub, RH Blade	24	134-1065	3	Fitting-Grease
6	134-0643	2	Screw	25	134-1079	2	Nut
7	134-0652	1	Disc-Blade, LH	26	134-1092	3	Nut
8	134-0653	1	Disc-Blade, RH	27	134-1101	3	Key-Shaft
10	134-0665	2	Blade-LH	28	134-1106	3	Bearing
11	134-0732	3	Cover	29	134-1109	2	Bearing
12	134-0733	3	Screw	30	134-1115	12	Screw
13	134-0734	1	Seal-Oil	31	134-1159	3	Seal-Oil
14	134-0778	1	Disc-Blade, Central	32	134-1265	2	Bushing-Bronze
15	134-0805	2	Pulley	33	134-1309	2	Screw-HH
16	134-0808	2	Scraper	34	134-1337	3	Washer
17	134-0833	3	Hub-Blade Holder	35	134-1347	1	Screw-HH, LH Thd
18	134-0834	3	Spacer	36	134-0663	1	Blade-Central
19	134-0897	3	Cover	37	134-0664	2	Blade-RH

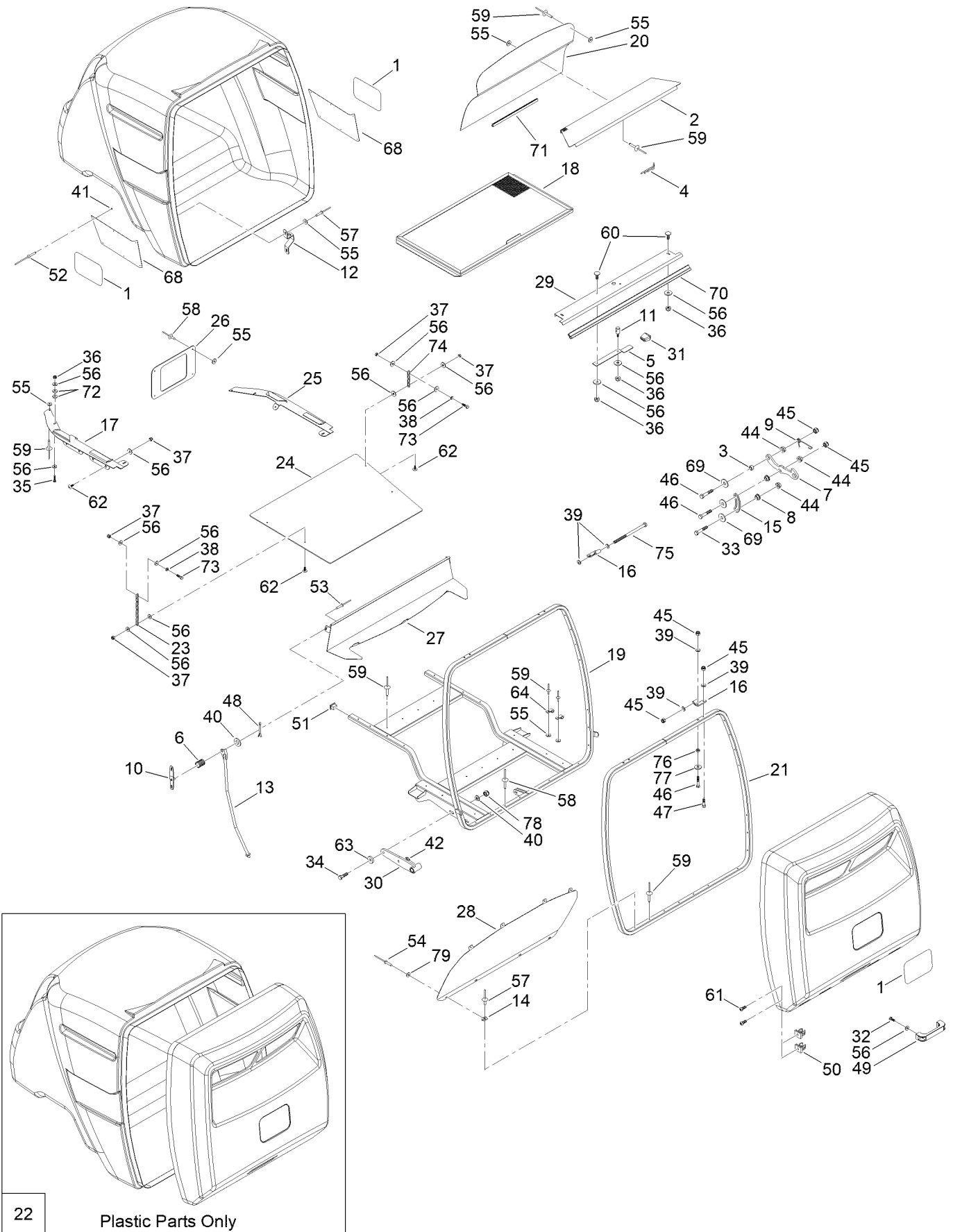
Basket Lift Frame Assembly



Basket Lift Frame Assembly (continued)

<i>Ref.</i>	<i>Part Number</i>	<i>Qty.</i>	<i>Description</i>	<i>Ref.</i>	<i>Part Number</i>	<i>Qty.</i>	<i>Description</i>
1	104-7048	1	Cap-Housing	28	134-1044	8	Washer
2	104-7050	1	Tube-Manual	29	134-1045	4	Washer
3	107-1865	2	R-Clamp	30	134-1051	10	Washer
4	134-0654	2	Cylinder-Tipping, Grass Catcher	31	134-1065	14	Fitting-Grease
5	134-0692	2	Support	32	134-1072	2	Screw
6	134-0719	10	Pin	33	134-1090	2	Nut
7	134-0727	1	Spring	34	134-1092	2	Nut
8	134-0759	1	Support	35	134-1095	2	Nut
9	134-0761	2	Bushing	36	134-1121	1	Screw
10	134-0776	1	Pin	37	134-1175	2	Cap
11	134-0809	1	Bracket	38	134-1180	1	Knob
12	134-0810	1	Bracket	39	134-1260	2	Insert-Threaded
13	134-0814	1	Support	40	134-1310	10	Screw
14	134-0839	1	Bar-Roll	41	134-1326	1	Magnet
16	134-0873	1	Pin	42	134-1328	2	Joint-Ball
17	134-0909	1	Rod-Safety	43	134-1330	5	Collar
18	134-0931	1	Pin	44	134-1338	2	Pad-Rubber
19	134-0932	2	Plate-Small	45	134-2958	1	Bracket
20	134-0933	1	Cable	46	134-2959	2	Arm
21	134-1008	2	Screw	47	134-2960	1	Arm
22	134-1011	2	Screw	48	134-2961	1	Arm
23	134-1025	5	Screw	49	134-2962	2	Washer
24	134-1036	2	Nut	50	134-2963	5	Screw
25	134-1037	2	Nut	51	134-2964	2	Ring-Snap
26	134-1041	2	Nut	52	134-2965	2	Hopper Hinge
27	134-1042	6	Nut	53	134-2966	1	Ring Snap
				54	134-0811	2	Cylinder

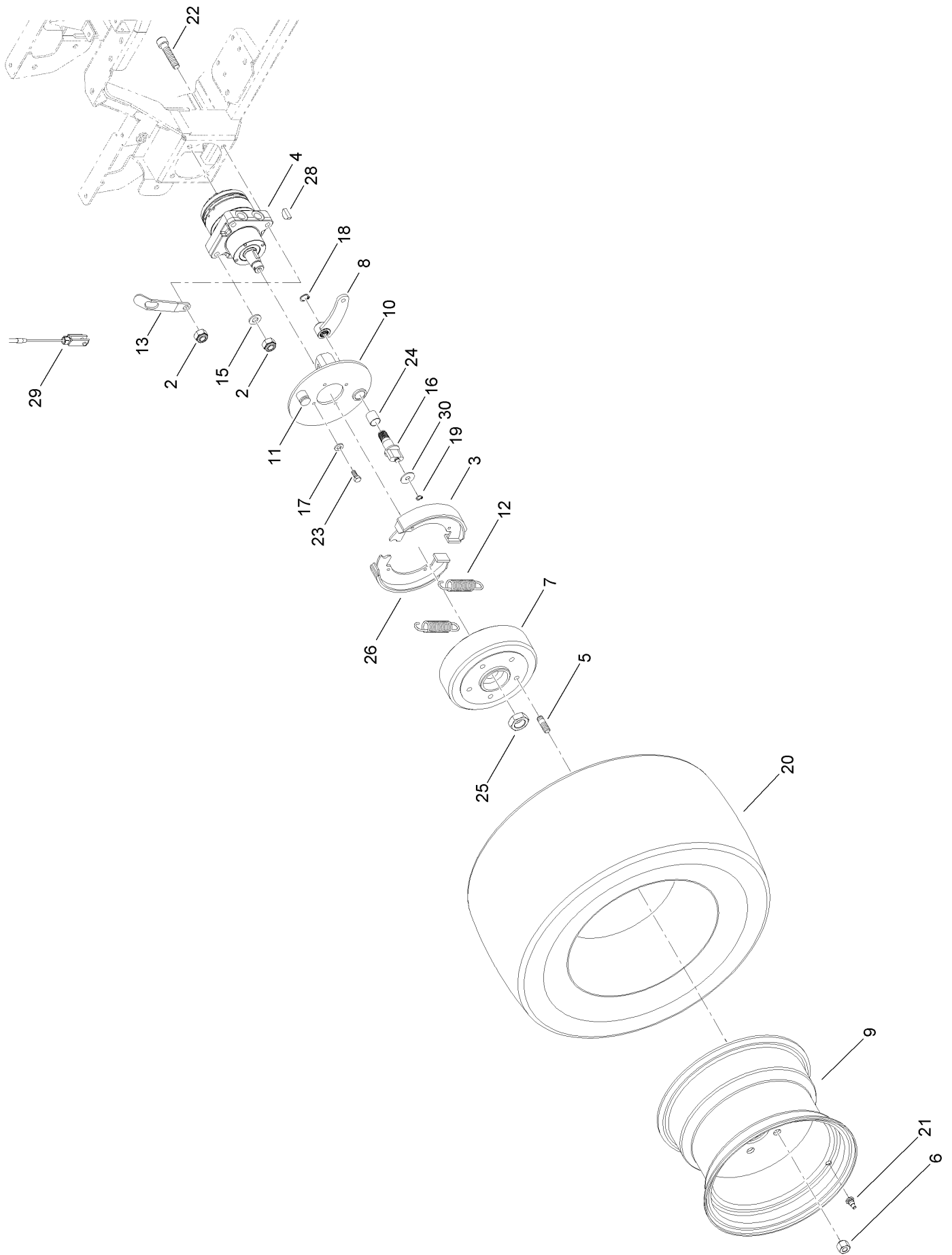
Basket Assembly



Basket Assembly (continued)

<i>Ref.</i>	<i>Part Number</i>	<i>Qty.</i>	<i>Description</i>	<i>Ref.</i>	<i>Part Number</i>	<i>Qty.</i>	<i>Description</i>
1	134-0551	3	Decal-Toro Logo	37	134-1042	5	Nut
2	134-0658	1	Sieve-Catcher, Grass	38	134-1044	2	Washer
3	134-0687	1	Spacer	39	134-1045	5	Washer
4	134-0724	1	Stop	40	134-1046	2	Washer
5	134-0725	1	Hook	41	134-1050	1	Washer
6	134-0727	1	Spring	42	134-1065	1	Fitting-Grease
7	134-0728	1	Hook	44	134-1082	3	Nut
8	134-0737	2	Bushing	45	134-1092	5	Nut
9	134-0740	1	Spring	46	134-1119	3	Screw
10	134-0741	1	Support	47	134-1122	1	Screw
11	134-0743	1	Pin	48	134-1129	1	Pin-Spring
12	134-0744	1	Bracket	49	134-1140	1	Handle
13	134-0747	1	Rod	50	134-1160	1	Collar
14	134-0753	1	Bracket	51	134-1181	2	Cap-Plastic, Black
15	134-0755	1	Rod-Connecting	52	134-1183	8	Rivet
16	134-0758	2	Hinge	53	134-1190	4	Rivet
17	134-0764	1	Guide	54	134-1204	4	Rivet
18	134-0765	1	Screen-Grass Catcher, Inside	55	134-1231	7	Washer
19	134-0825	1	Frame	56	134-1234	15	Washer
20	134-0842	1	Screen-Grass Catcher, Front	57	134-1244	4	Rivet
21	134-0843	1	Frame	58	134-1246	3	Rivet
22	134-0858	1	Catcher-Grass	59	134-1273	101	Rivet
23	134-0870	1	Chain	60	134-1296	2	Screw
24	134-0871	1	Panel-Plastic, Grass Catcher	61	134-1303	1	Screw
25	134-0875	1	Support-Net	62	134-1304	3	Screw
26	134-0908	1	Plate	63	134-1337	1	Washer
27	134-0961	1	Screen-Grass Catcher	64	134-1348	1	Grommet
28	134-0976	1	Plate	68	134-3124	2	Plate-Logo, Hopper
29	134-0978	1	Rail-Cross	69	134-3126	3	Washer
30	134-0979	1	Hinge	70	134-3125	1	Gasket-Screen, Hopper
31	134-0999	1	Knob	71	134-8114	1	Trim-Rubber, Reinforced
32	134-1008	1	Screw	72	134-0691	2	Washer
33	134-1013	1	Screw	73	134-1009	2	Screw
34	134-1019	1	Screw	74	134-0869	1	Chain
35	134-1028	1	Screw	75	134-1117	1	Screw
36	134-1041	4	Nut	76	134-0991	1	Spacer
				77	134-3126	1	Washer
				78	134-1079	1	Nut
				79	134-1053	1	Washer

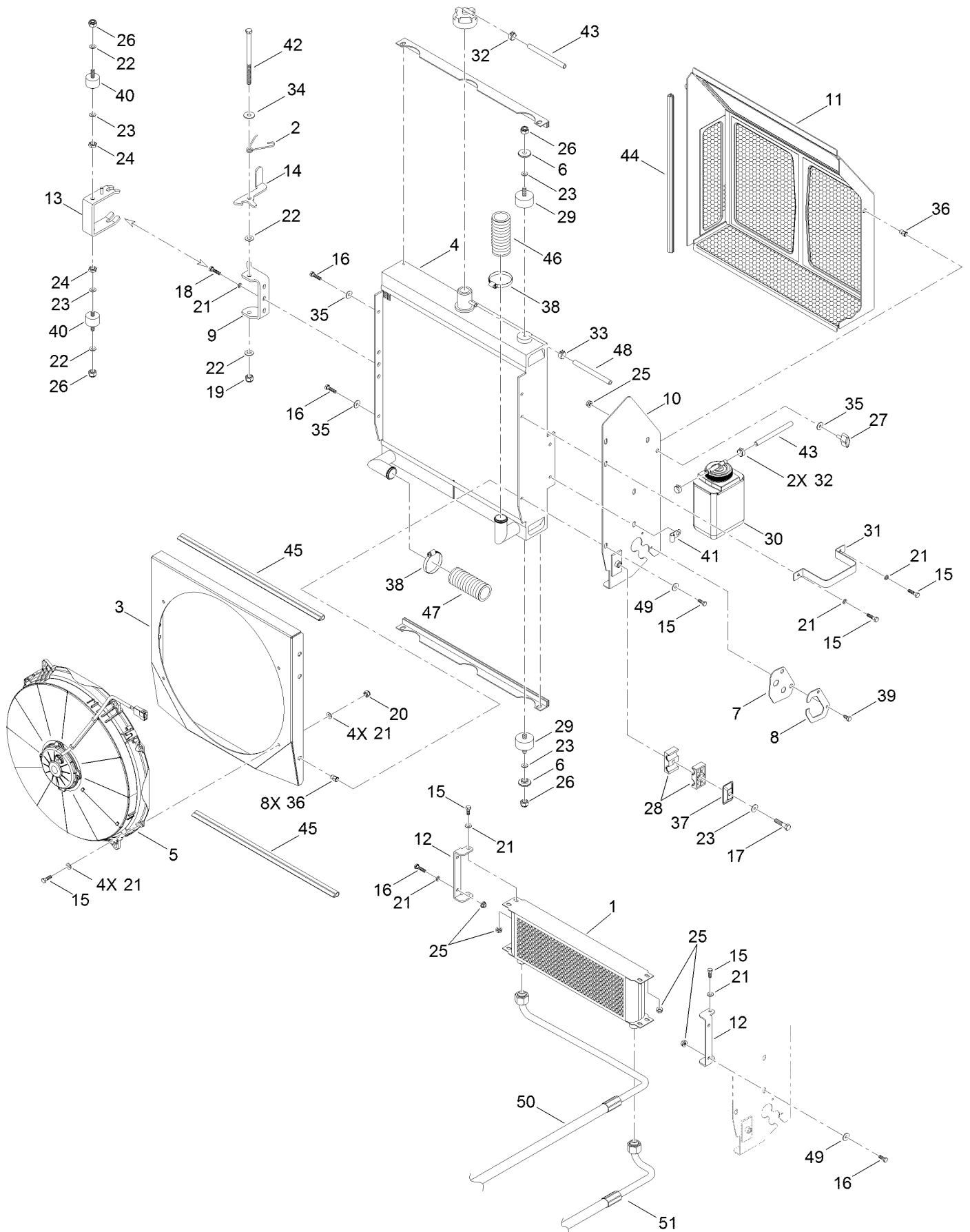
Brakes Assembly



Brakes Assembly (continued)

<i>Ref.</i>	<i>Part Number</i>	<i>Qty.</i>	<i>Description</i>	<i>Ref.</i>	<i>Part Number</i>	<i>Qty.</i>	<i>Description</i>
2	134-0561	4	Nut	17	134-1054	4	Washer
3	134-0624	2	Shoe-Brake	18	134-1062	1	Ring-Retaining, Int
4	134-0666	1	Motor-Hydraulic	19	134-1063	1	Ring-Retaining, Int
5	134-0686	5	Stud	20	134-1229	1	Tire-Front
6	134-0688	5	Nut-Lug, Wheel	21	134-1261	1	Valve-Tire
7	134-0711	1	Drum-Brake	22	134-1298	4	Screw
8	134-0714	1	Lever-Brake	23	134-1299	4	Screw
9	134-0715	1	Rim-Wheel, Front	24	134-1320	1	Bushing
10	134-0717	1	Camshaft	25	134-2967	1	Nut
11	134-0718	1	Plate-Brake	26	134-2968	1	Brake Caliper
12	134-0722	2	Spring	28	134-2970	1	Key-Woodruff
13	134-0726	1	Bracket-Cable, Brake	29	134-2971	1	Wire
15	134-1047	3	Washer	30	134-1048	1	Washer
16	134-1048	1	Washer				

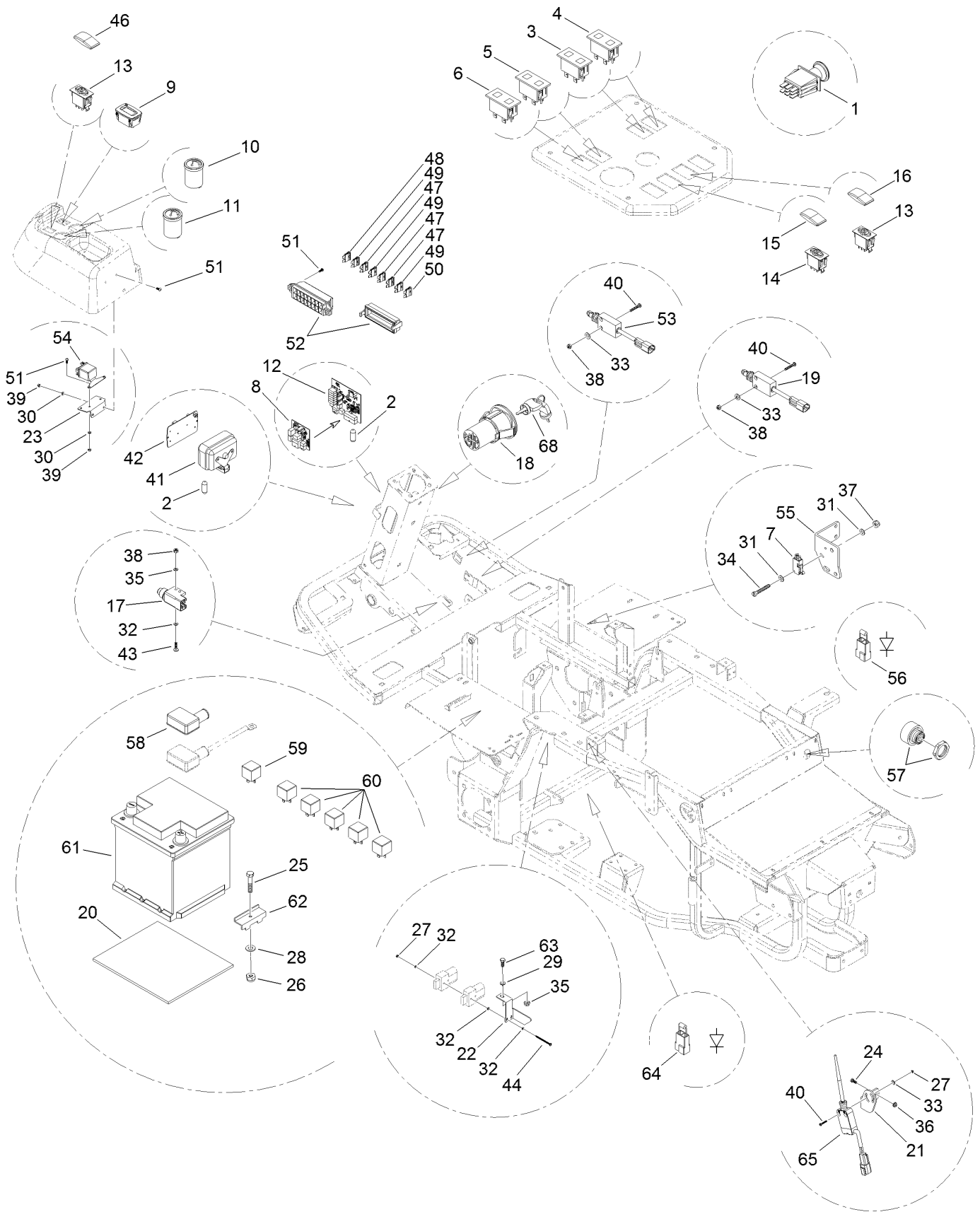
Cooling Assembly



Cooling Assembly (continued)

<i>Ref.</i>	<i>Part Number</i>	<i>Qty.</i>	<i>Description</i>	<i>Ref.</i>	<i>Part Number</i>	<i>Qty.</i>	<i>Description</i>
1	134-0625	1	Cooler-Oil	27	134-1148	1	Knob
2	134-0640	1	Spring	28	134-1151	1	Collar
3	134-0651	1	Conveyor-Blower	29	134-1164	2	Shock Absorber
4	134-0659	1	Radiator	30	134-1173	1	Tank
5	134-4713	1	Fan-Electric	31	134-1174	1	Clamp
6	134-0694	2	Bushing	32	134-1199	3	Clamp
7	134-0751	1	Gasket	33	134-1201	1	Clamp
8	134-0752	1	Frame	34	134-1233	1	Washer
9	134-0771	1	Bracket	35	134-1234	3	Washer
10	134-0773	1	Guard-Cable	36	134-1257	9	Insert-Threaded
11	134-0777	1	Screen-Radiator	37	134-1274	1	Plate-Small
12	134-0840	2	Bracket	38	134-1277	2	Clamp
13	134-0863	1	Bracket	39	134-1293	1	Screw
14	134-0864	1	Bracket	40	134-1346	2	Shock Absorber
15	134-1008	7	Screw	41	134-1348	1	Grommet
16	134-1009	7	Screw	42	134-2972	1	Screw
17	134-1014	1	Screw	43	134-2973	2	Pipe
18	134-1027	1	Screw	44	134-2974	1	Gasket
19	134-1038	1	Nut	45	134-2975	2	Gasket
20	134-1042	1	Nut	46	134-2976	1	Pipe
21	134-1044	7	Washer	47	134-2977	1	Pipe
22	134-1045	4	Washer	48	134-2978	1	Pipe
23	134-1054	4	Washer	49	134-2979	2	Washer
24	134-1078	2	Nut	50	134-2980	1	Hydraulic Hose
25	134-1084	3	Nut	51	134-2981	1	Hydraulic Hose
26	134-1092	4	Nut				

Electric Equipment Assembly

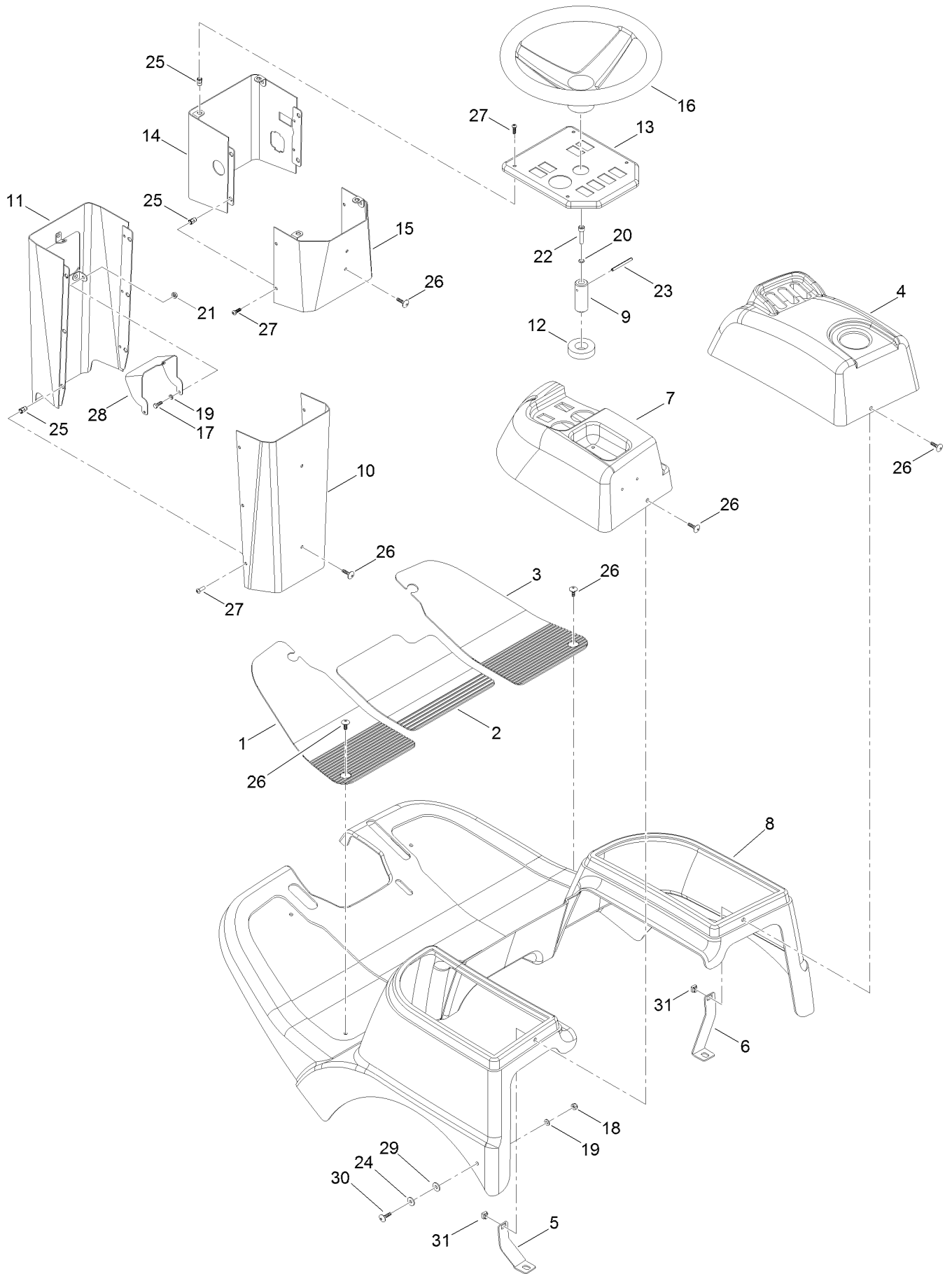


Electric Equipment Assembly (continued)

<i>Ref.</i>	<i>Part Number</i>	<i>Qty.</i>	<i>Description</i>	<i>Ref.</i>	<i>Part Number</i>	<i>Qty.</i>	<i>Description</i>
1	93-9999	1	Switch-PTO	31	134-1050	2	Washer
2	111-9822	2	Ferrite-Suppression, Emc	32	134-1052	4	Washer
3	122-0332	1	Light-Indicator, Low Beam/High Beam	33	134-1053	3	Washer
4	122-0333	1	Light-Indicator, Hopper Full/Park	34	134-1077	1	Screw
5	122-0342	1	Light-Indicator, Oil Pressure/Air Filter	35	134-1082	1	Nut
6	122-0334	1	Light-Indicator, Glow/Battery	36	134-1084	1	Nut
7	134-0586	1	Microswitch	37	134-1085	1	Nut
8	134-0597	1	Control Unit-Light, Electric	38	134-1093	3	Nut
9	134-0598	1	Meter-Hour	39	134-1094	2	Nut
10	134-0603	1	Indicator-Fuel	40	134-1113	3	Screw
11	134-0604	1	Indicator-Temperature	41	134-1280	1	Lamp-Front
12	134-4868	1	Control Unit-Machine, Electronic	42	134-1281	1	Bulb
13	134-0609	2	Switch-HOC	43	134-1307	1	Screw
14	134-0610	2	Switch	44	134-1315	1	Screw
15	134-0611	1	Cover-Button, Sense Inverting/Fan Rot	46	134-2982	1	Cover-Rocker
16	134-0612	1	Cover-Lock Button, Differential	47	134-2983	4	Fuse 5A
17	134-0614	1	Microswitch-Brake	48	134-2984	1	Fuse 30A
18	134-0615	1	Switch-Ignition	49	134-2985	3	Fuse 15A
19	134-0620	1	Microswitch-Forward	50	134-2986	1	Fuse-Blade, 3 Amp
20	134-0720	1	Bushing-Plastic	51	134-2987	2	Screw
21	134-0880	1	Bracket	52	134-2988	1	Box-Fuse
22	134-0890	1	Bracket	53	134-2989	1	Swtch-Micro
23	134-0921	1	Bracket	54	134-2990	1	Glow Relay ASM
24	134-1008	1	Screw	55	134-0952	1	Bracket
25	134-1027	1	Screw	56	134-2992	1	Diode-Engine
26	134-1038	1	Nut	57	134-2993	1	Solenoid
27	134-1040	2	Nut	58	134-2994	1	Guard
28	134-1045	1	Washer	59	134-2995	1	Relay
29	134-1047	1	Washer	60	134-2996	5	Relay
30	134-1049	2	Washer	61	134-2997	1	Battery, Wet
				62	134-2998	1	Bracket-Clamp, Battery
				63	134-2999	1	Screw
				64	134-3000	1	Diode-Clutch
				65	134-3001	1	Micro-Open, Grass Catcher
				67	134-1993	1	Main Wiring Harness ●
				68	134-1285	1	Key-Ignition, Plastic Cover

● Not illustrated

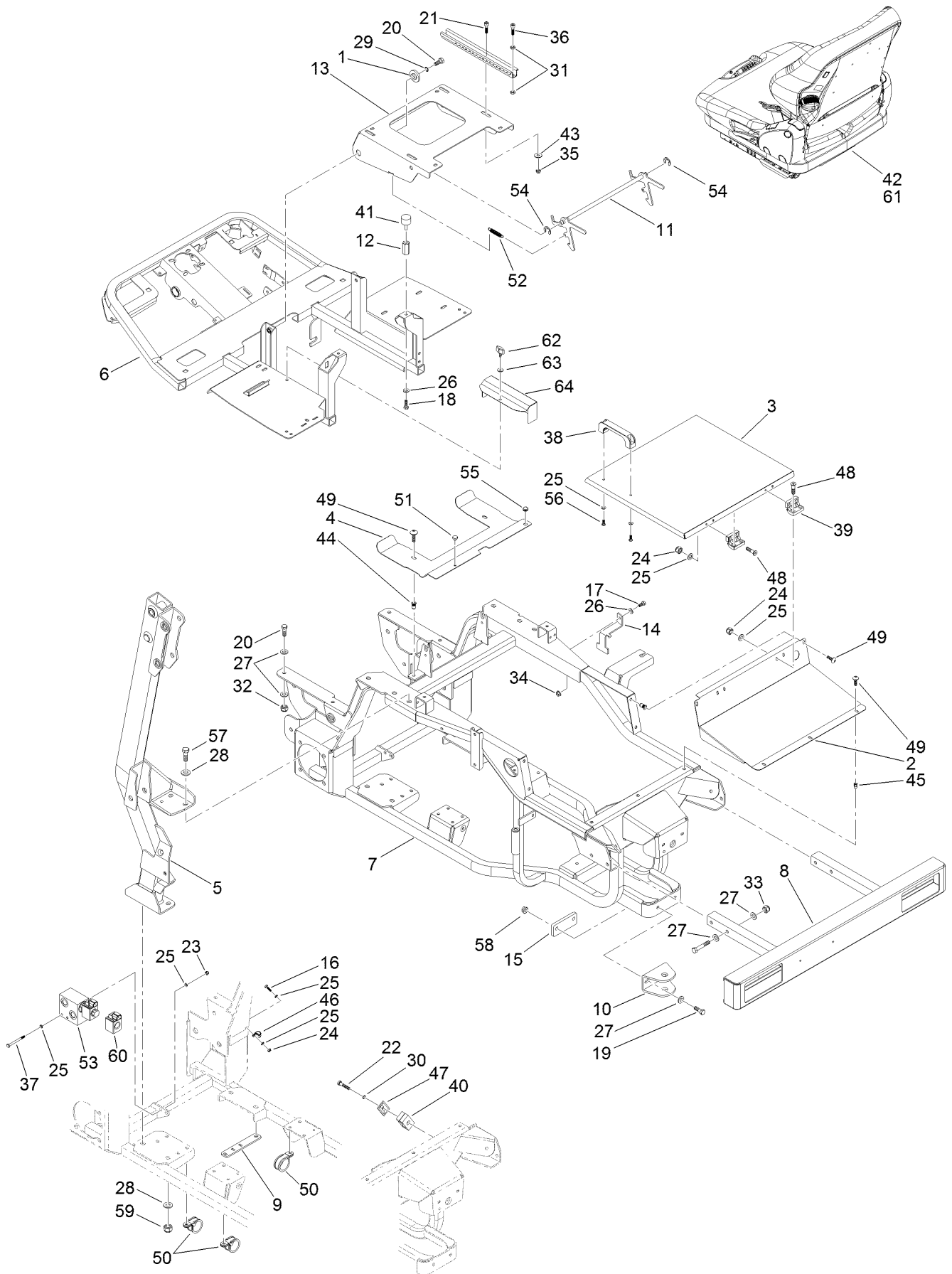
Body Assembly



Body Assembly (continued)

<i>Ref.</i>	<i>Part Number</i>	<i>Qty.</i>	<i>Description</i>	<i>Ref.</i>	<i>Part Number</i>	<i>Qty.</i>	<i>Description</i>
1	134-0644	1	Pad-Footboard	17	134-1007	1	Screw
2	134-0645	1	Pad-Footboard	18	134-1041	1	Nut
3	134-0646	1	Pad-Footboard	19	134-1044	1	Washer
4	134-0832	1	Dashboard	20	134-1054	1	Washer
5	134-0885	1	Bracket	21	134-1084	1	Nut
6	134-0886	1	Bracket	22	134-1122	1	Screw
7	134-0927	1	Dashboard	23	134-1135	1	Plug
8	134-0928	1	Fairing	24	134-1234	1	Washer
9	134-0937	1	Bushing	25	134-1257	3	Insert-Threaded
10	134-0945	1	Support	26	134-1304	6	Screw
11	134-0947	1	Support	27	134-1311	3	Screw
12	134-0950	1	Washer	28	134-0946	1	Support-Column
13	134-0954	1	Dashboard	29	134-3003	1	Washer
14	134-0955	1	Support	30	134-3004	1	Screw
15	134-0956	1	Support	31	134-3005	1	Nut-Cage
16	134-0958	1	Wheel-Steering				

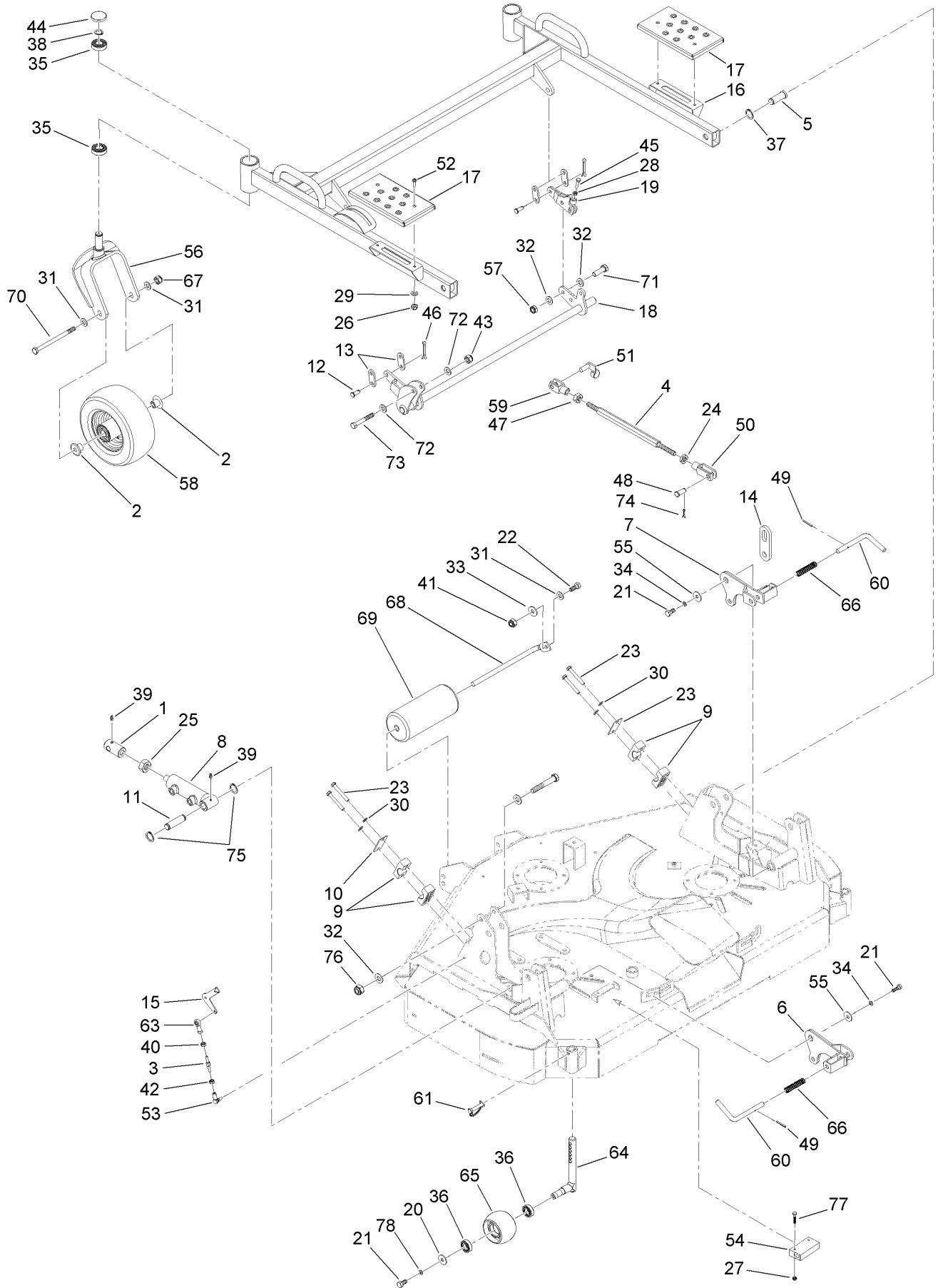
Frame Assembly



Frame Assembly (continued)

<i>Ref.</i>	<i>Part Number</i>	<i>Qty.</i>	<i>Description</i>	<i>Ref.</i>	<i>Part Number</i>	<i>Qty.</i>	<i>Description</i>
1	134-0689	1	Bushing	33	134-1081	1	Nut
2	134-0796	1	Cover-Engine, Rear	34	134-1082	1	Nut
3	134-0797	2	Hood	35	134-1092	1	Nut
4	134-0798	1	Cover-Engine, Front	36	134-1115	1	Screw
5	134-0810	1	Bracket	37	134-1116	1	Screw
6	134-0837	1	Footrest	38	134-1140	1	Handle
7	134-3963	1	Frame	39	134-1147	1	Hinge-Plastic
8	134-0874	1	Bumper	40	134-1152	1	Collar
9	134-0891	1	Bracket	41	134-1163	1	Pad-Rubber
10	134-0904	1	Bar-Tow	42	134-1171	1	Seat-Grammer
11	134-0911	1	Hook-Seat	43	134-1233	1	Washer
12	134-0912	1	Column	44	134-1253	1	Insert-Threaded
13	134-0941	1	Support-Seat	45	134-1257	1	Insert-Threaded
14	134-0974	1	Bracket	46	134-1262	1	Clamp
15	134-0975	1	Plate-Tow	47	134-1274	1	Plate-Small
16	134-1009	1	Screw	48	134-1297	2	Screw
17	134-1011	1	Screw	49	134-1304	3	Screw
18	134-1015	1	Screw	50	134-1319	2	Clamp
19	134-1019	1	Screw	51	134-1326	1	Magnet
20	134-1023	2	Screw	52	134-1353	1	Spring
21	134-1026	1	Screw	53	134-0584	1	Valve-Lock, Differential
22	134-1027	1	Screw	54	134-2964	2	Ring-Snap
23	134-1041	1	Nut	55	134-3007	1	Plug-Rubber
24	134-1042	3	Nut	56	134-3008	2	Screw
25	134-1044	7	Washer	57	134-2999	1	Screw
26	134-1045	2	Washer	58	134-3009	1	Nut
27	134-1046	4	Washer	59	134-2969	1	Nut
28	134-1047	2	Washer	60	134-3095	1	Hydraulic Comp
29	134-1051	1	Washer	61	134-3967	1	Seat-Switch
30	134-1054	1	Washer	62	134-4870	1	Bracket-Relay, Cover
31	134-1078	2	Nut	63	134-4871	2	Screw-Thumb
32	134-1079	1	Nut	64	134-1234	1	Washer

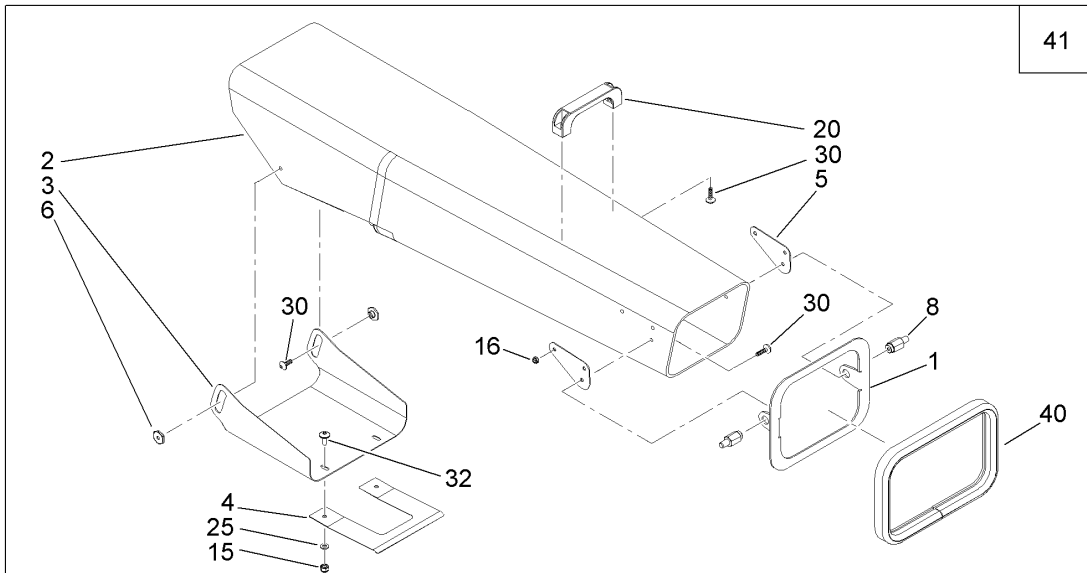
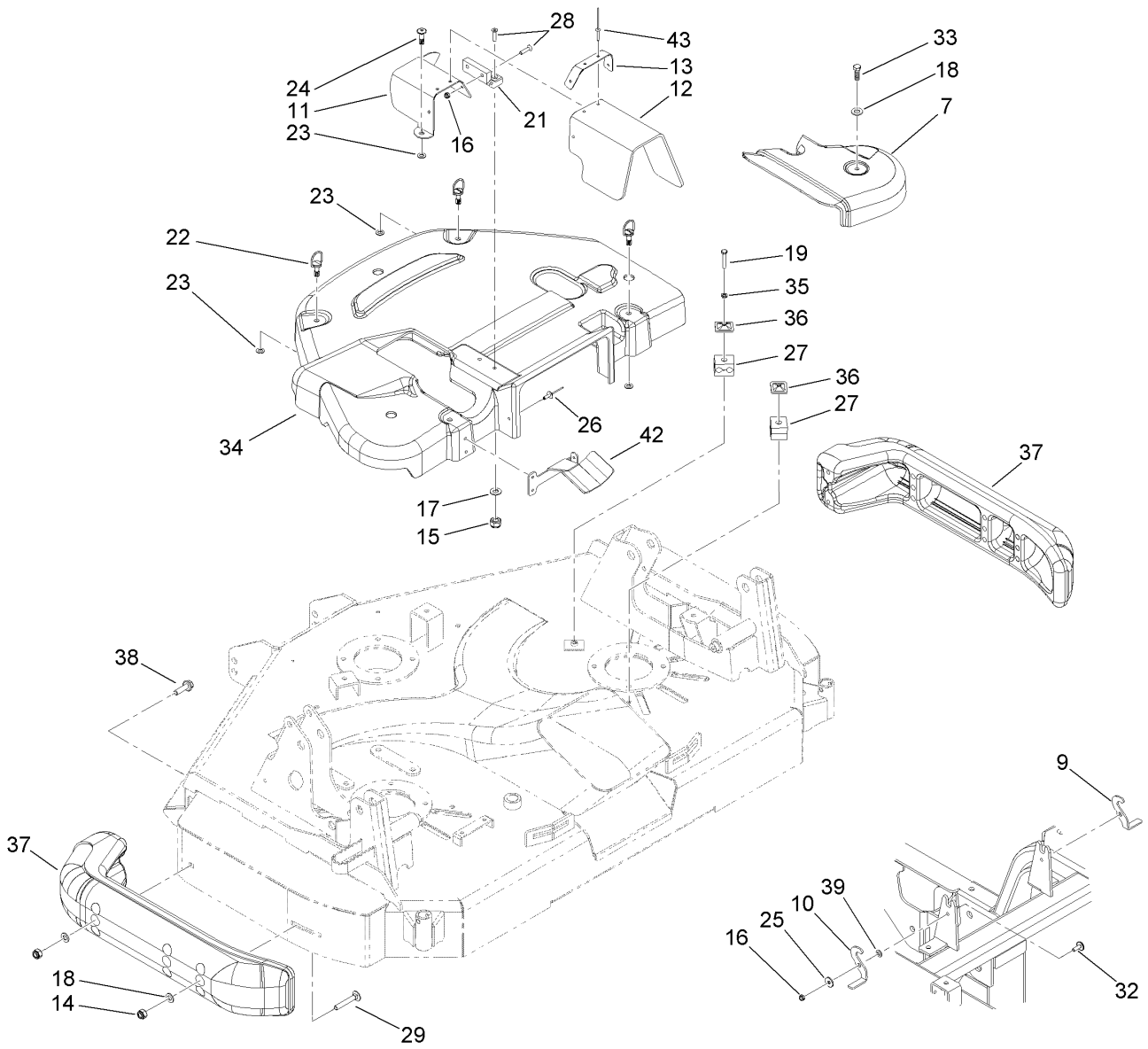
Flat Frame Assembly



Flat Frame Assembly (continued)

<i>Ref.</i>	<i>Part Number</i>	<i>Qty.</i>	<i>Description</i>	<i>Ref.</i>	<i>Part Number</i>	<i>Qty.</i>	<i>Description</i>
1	134-0692	1	Support	40	134-1080	1	Nut
2	134-0731	2	Bushing	41	134-1081	1	Nut
3	134-0738	1	Indicator-HOC	42	134-1083	1	Nut
4	134-0739	1	Rod	43	134-1090	1	Nut
5	134-0742	1	Pin	44	134-1097	1	Cap
6	134-0806	1	Lever	45	134-1114	1	Screw
7	134-0807	1	Lever	46	134-1131	4	Pin-Spring
8	134-0826	1	Cylinder-HYD	47	134-1165	1	Nut
9	134-0829	2	Block	48	134-1182	1	Pin
10	134-0856	2	Plate-Small	49	134-1205	2	Plug-Spirol
11	134-0859	1	Pin	50	134-1251	1	Fork-Clevis, M12
12	134-0865	1	Pin	51	134-1252	1	Clip
13	134-0901	1	Plate-Small	52	134-1304	1	Screw
14	134-0902	1	Plate-Small	53	134-1327	1	Articulation
15	134-0903	1	Indicator-HOC	54	134-1335	1	Valve-Lock
16	134-0935	1	Frame	55	134-1355	2	Washer
17	134-0936	2	Footrest	56	134-0662	1	Yoke-Deck, Cutter
18	134-0944	1	Bracket	57	134-0561	1	Nut
19	134-0951	1	Bracket	58	134-1363	1	Wheel
20	134-0997	1	Washer	59	134-0616	1	Yoke-LH
21	134-1011	3	Screw	60	134-0660	1	Pin-Unhooking
22	134-1023	1	Screw	61	134-0593	1	Pin
23	134-1024	2	Screw	63	134-0592	1	Head-Joint
24	134-1035	1	Nut	64	134-0642	1	Pin
25	134-1037	1	Nut	65	134-0639	1	Wheel-Anti Scalp
26	134-1041	1	Nut	66	134-0641	1	Spring
27	134-1042	1	Nut	67	134-1079	1	Nut
28	134-1043	1	Nut	68	68-6840	1	Shaft-Roller
29	134-1044	1	Washer	69	68-6710	1	Roller
30	134-1045	2	Washer	70	134-3010	1	Screw
31	134-1046	3	Washer	71	134-3011	1	Screw-HH
32	134-1047	3	Washer	72	134-3012	3	Washer
33	134-1048	1	Washer	73	134-3013	1	Screw-HH
34	134-1054	2	Washer	74	134-2957	1	Pin-Split
35	134-1055	1	Bearing	75	134-3016	2	Circlip
36	134-1056	2	Bearing	76	134-3017	1	Screw-HH
37	134-1059	1	Ring-Retaining, Int	77	134-3019	1	Screw
38	134-1060	1	Ring-Retaining, Int	78	134-3012	1	Washer
39	134-1065	2	Fitting-Grease				

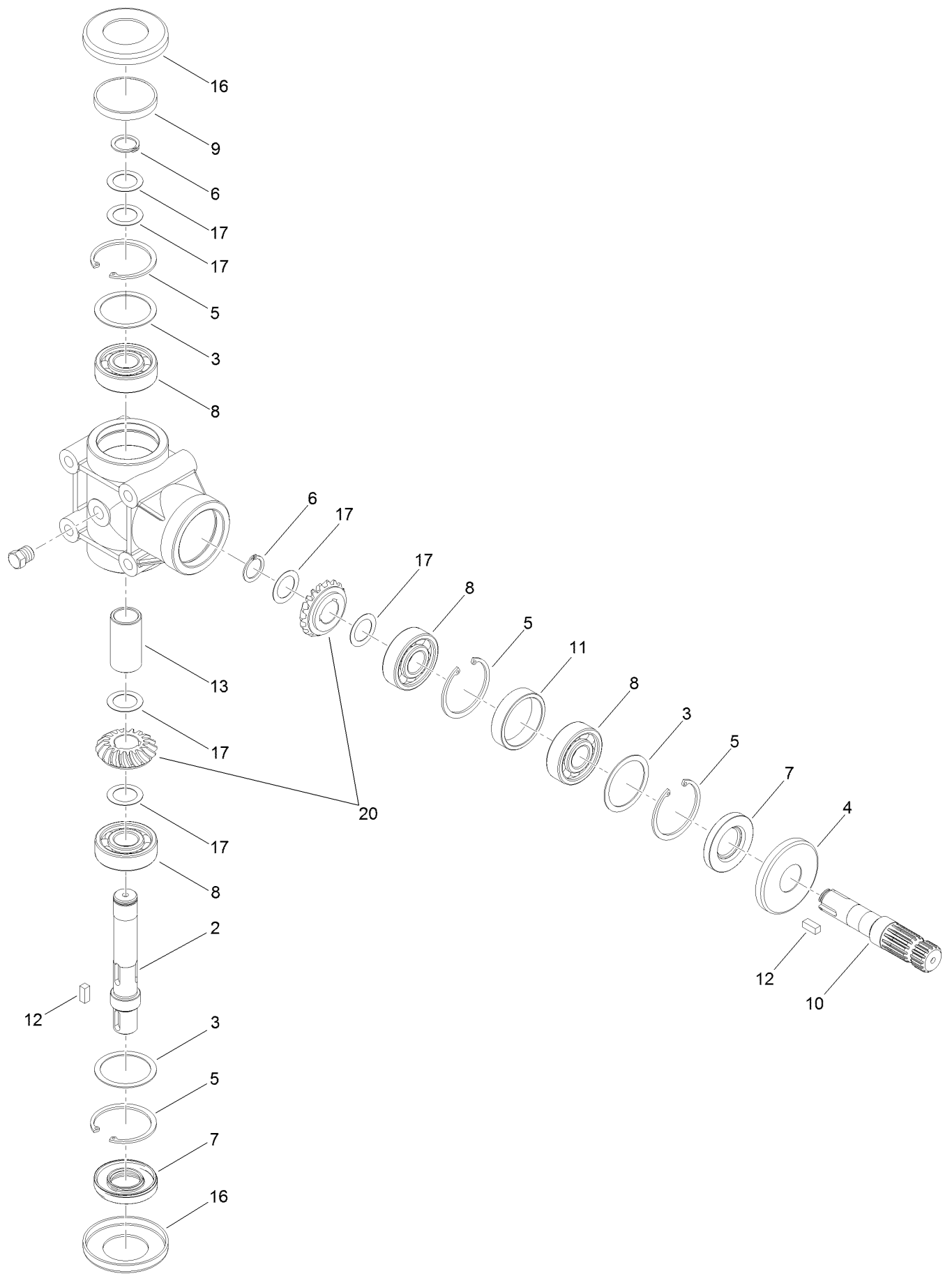
Grass Conveyor Hood Assembly



Grass Conveyor Hood Assembly (continued)

<i>Ref.</i>	<i>Part Number</i>	<i>Qty.</i>	<i>Description</i>	<i>Ref.</i>	<i>Part Number</i>	<i>Qty.</i>	<i>Description</i>
1	134-0793	1	Bracket	22	134-1191	1	Pin
2	134-1995	1	Chute-Grass	23	134-1192	3	Washer
3	134-1994	1	Bracket-Chute	24	134-1196	1	Pin
4	134-0801	1	Plate	25	134-1234	2	Washer
5	134-0802	1	Bracket	26	134-1246	1	Rivet
6	134-0803	1	Pin	27	134-1248	2	Collar
7	134-0831	1	Cover	28	134-1297	1	Screw
8	134-0882	1	Pin	29	134-1300	1	Screw
9	134-0917	1	Hook-Chute, RH	30	134-1314	3	Screw
10	134-0918	1	Hook-Chute, LH	32	134-1304	1	Screw
11	134-0962	1	Guard-Cable	33	134-3021	1	Screw
12	134-0963	1	Grommet-Rubber, Fender	34	134-4867	1	Fairing-Deck, Cutting
13	134-0964	1	Bracket	35	134-3023	1	Washer
14	134-1038	1	Nut	36	134-3024	2	Small Plate
15	134-1041	2	Nut	37	112-1479	2	Skid-Bumper, Deck
16	134-1042	3	Nut	38	9136144	1	Screw-HWHTF
17	134-1044	1	Washer	39	134-3027	1	Washer-Wave
18	134-1045	2	Washer	40	134-3028	1	Rubber Seal-Chute
19	134-1069	1	Screw	41	134-3029	1	Grass Conveyor ASM
20	134-1140	1	Handle	42	134-0966	1	Protector-Hose
21	134-1147	1	Hinge-Plastic	43	134-1240	4	Rivet

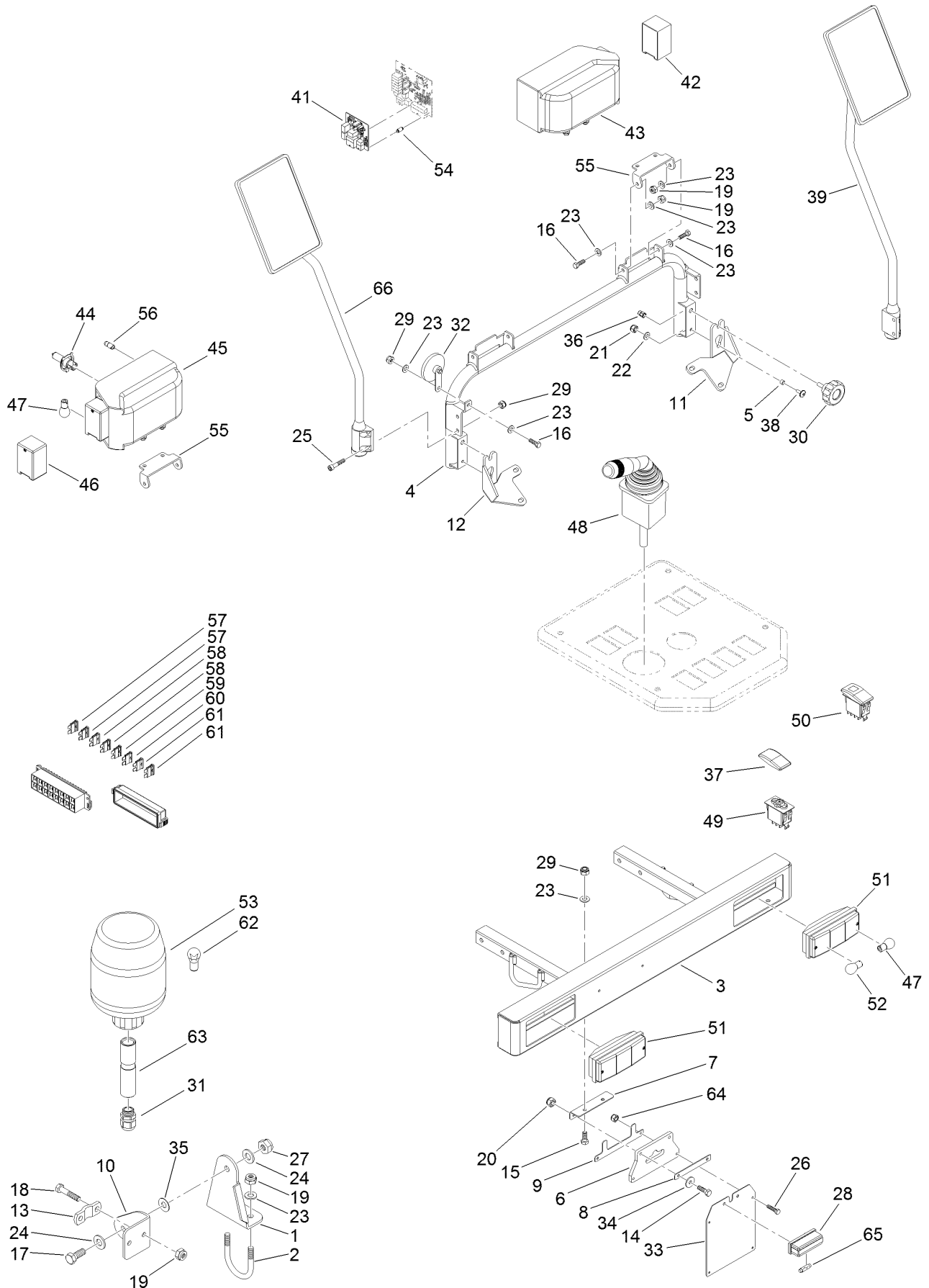
Gearbox Assembly No. 134-0623



Gearbox Assembly No. 134-0623 (continued)

<i>Ref.</i>	<i>Part Number</i>	<i>Qty.</i>	<i>Description</i>	<i>Ref.</i>	<i>Part Number</i>	<i>Qty.</i>	<i>Description</i>
2	134-0702	1	Shaft	10	134-1339	1	Shaft
3	134-0996	3	Spacer	11	134-1340	1	Spacer
4	134-1001	1	Cover	12	134-1341	2	Key-Shaft
5	134-1057	4	Ring-Retaining, Int	13	134-1342	1	Spacer
6	134-1060	2	Ring-Retaining, Int	16	134-1345	2	Cover
7	134-1096	2	Seal	17	134-1354	5	Spacer
8	134-1110	4	Bearing	20	134-1344	1	Gear-Set
9	134-1238	1	Cap				

Lighting Assembly

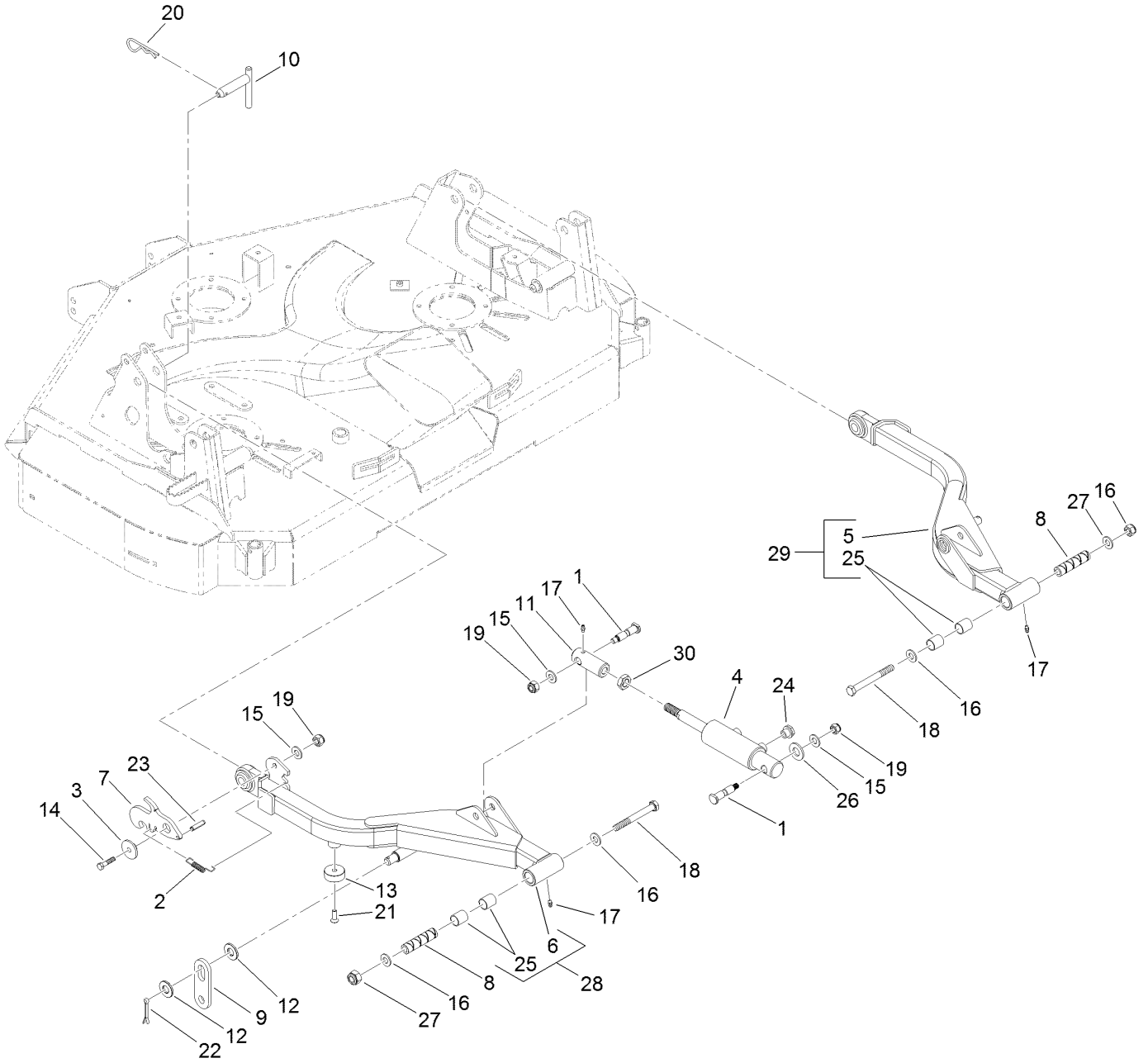


Lighting Assembly (continued)

<i>Ref.</i>	<i>Part Number</i>	<i>Qty.</i>	<i>Description</i>	<i>Ref.</i>	<i>Part Number</i>	<i>Qty.</i>	<i>Description</i>
1	134-0748	1	Bracket	35	134-1237	1	Washer-Belleville
2	134-0749	1	Jumper-Turn Light	36	134-1260	1	Insert-Threaded
3	134-0874	1	Bumper	37	134-1290	1	Rocker-Switch, Beacon
4	134-0876	1	Bar-Lights, Front	38	134-1304	1	Screw
5	134-0877	1	Spacer	39	134-1317	1	Mirror-Rear View
6	134-0922	1	Plate-License, Rubber	41	134-0597	1	Control Unit-Light, Electric
7	134-0923	1	Bracket	42	134-0668	1	Indicator-RH
8	134-0924	1	Bracket	43	134-0588	1	Headlight-RH
9	134-0925	1	Bracket	44	134-0590	1	Bulb-Headlight, Main
10	134-0972	1	Bracket	45	134-0589	1	Headlight-LH
11	134-0992	1	Bracket	46	134-0669	1	Indicator-LH
12	134-0993	1	Bracket	47	134-0566	1	Bulb-Indicator
13	134-1000	1	Plate-Small	48	134-0613	1	Control-Switch, Signal, Lights, Horn
14	134-1009	1	Screw	49	134-0609	1	Switch-HOC
15	134-1011	1	Screw	50	134-0608	1	Switch-Hazard
16	134-1015	3	Screw	51	134-0564	1	Tail Light
17	134-1018	1	Screw	52	134-0565	1	Bulb-Light, Side, Brake
18	134-1027	1	Screw	53	134-0587	1	Beacon-Rotating
19	134-1038	3	Nut	54	134-3034	4	Pin-Plastic
20	134-1041	1	Nut	55	134-3035	2	Bracket
21	134-1042	1	Nut	56	134-3036	1	Bulb-Side
22	134-1044	1	Washer	57	134-2983	2	Fuse 5A
23	134-1045	1	Washer	58	134-3037	1	Fuse-7.5A
24	134-1046	1	Washer	59	134-3038	2	Fuse-10A
25	134-1068	1	Screw	60	134-2985	1	Fuse 15A
26	134-1074	1	Screw	61	134-2986	2	Fuse-Blade, 3 Amp
27	134-1081	1	Nut	62	134-3042	1	Bulb-Beacon
28	134-1089	1	Lamp-License Plate	63	134-3043	1	Pipe
29	134-1092	3	Nut	64	134-3044	1	Nut
30	134-1178	1	Knob	65	134-3045	1	Bulb-Licence
31	134-1223	1	Fitting-Union	66	134-1276	1	Mirror-Rear View
32	134-1224	1	Horn	67	134-3114	1	Light Harness ●
33	134-1226	1	Plate-Support	68	134-3117	1	Wiring Harness-Lights ●
34	134-1234	1	Washer				

● Not illustrated

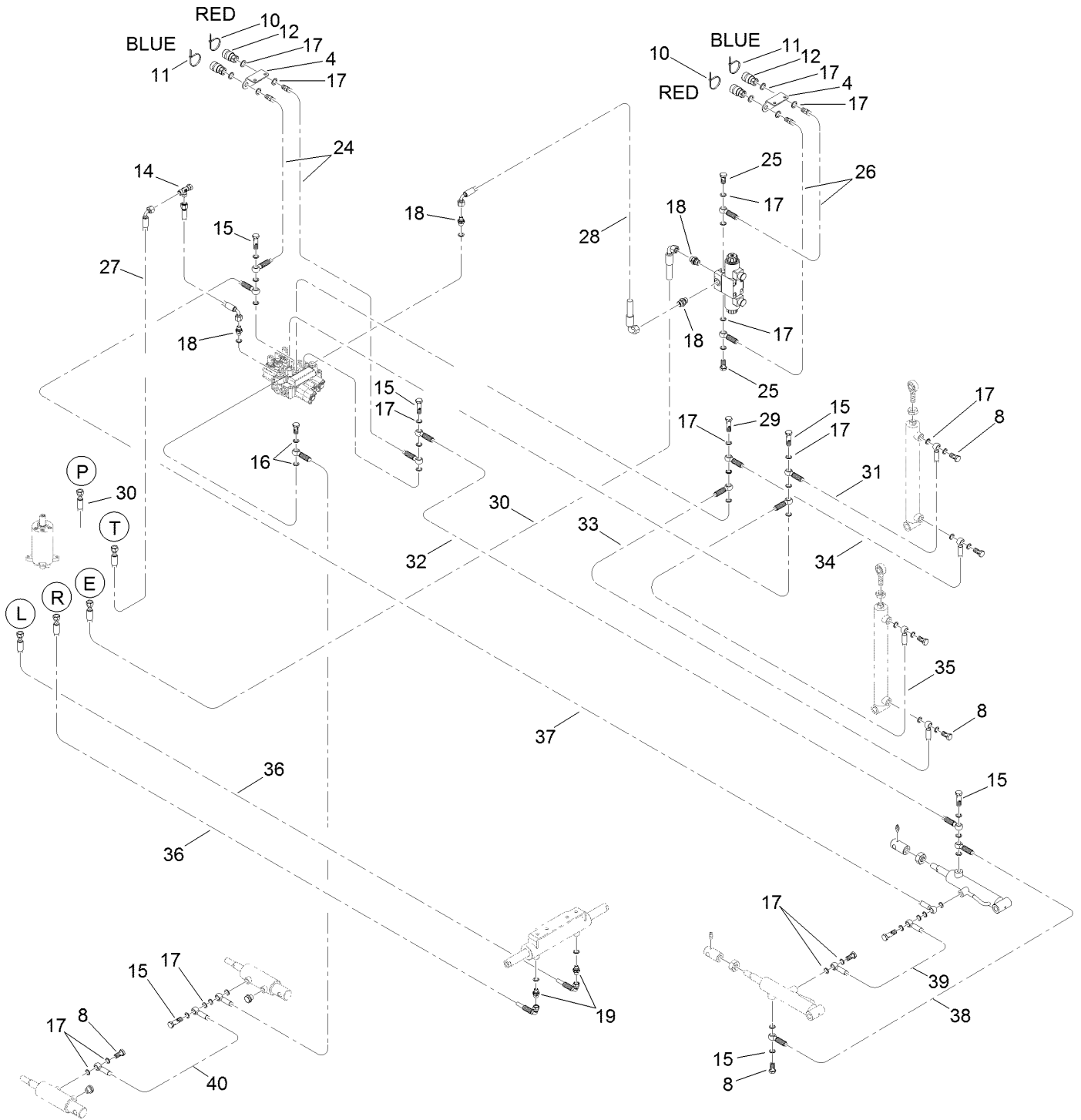
Lift Arms Assembly



Lift Arms Assembly (continued)

<i>Ref.</i>	<i>Part Number</i>	<i>Qty.</i>	<i>Description</i>	<i>Ref.</i>	<i>Part Number</i>	<i>Qty.</i>	<i>Description</i>
1	134-0693	2	Pin	16	134-1047	4	Washer
2	134-0695	1	Spring	17	134-1065	3	Fitting-Grease
3	134-0710	1	Bushing	18	134-1075	2	Screw
4	134-0838	2	Cylinder-HYD, Deck Lift	19	134-1081	3	Nut
5	134-0852	1	Arm-Lift, RH	20	134-1098	1	Pin-Spring
6	134-0853	1	Arm-Lift, LH	21	134-1121	1	Screw
7	134-0881	1	Lever-Hook	22	134-1131	1	Pin-Spring
8	134-0899	2	Bushing	23	134-1136	1	Plug-Spirol
9	134-0902	1	Plate-Small	24	134-1153	1	Cap-Breather
10	134-0915	1	Pin	25	134-1187	3	Bushing
11	134-0930	1	Support	26	134-3012	1	Washer
12	134-0977	2	Washer-Plastic	27	134-0561	2	Nut
13	134-0990	1	Washer-Rubber	28	134-3048	1	Lift Arm ASM LH
14	134-1019	1	Screw	29	134-3046	1	Lift Arm ASM RH
15	134-1046	3	Washer	30	134-3115	1	Nut

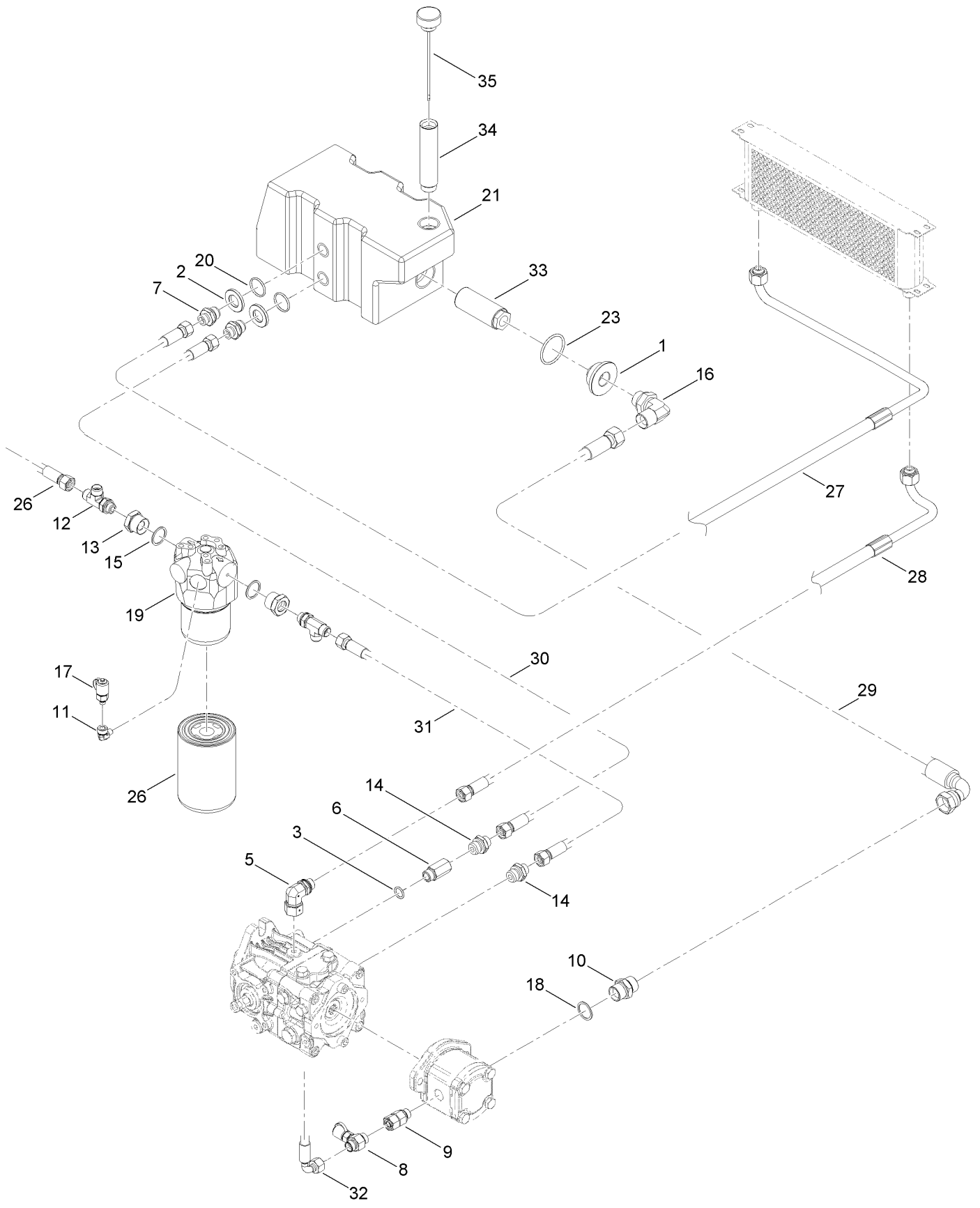
Lubrication Service Assembly



Lubrication Service Assembly (continued)

<i>Ref.</i>	<i>Part Number</i>	<i>Qty.</i>	<i>Description</i>	<i>Ref.</i>	<i>Part Number</i>	<i>Qty.</i>	<i>Description</i>
4	134-0960	2	Bracket	27	134-3052	1	Hydraulic Hose
8	134-1102	4	Screw	28	134-3053	1	Hydraulic Hose
10	134-1169	2	Clamp Red	29	134-3055	2	Screw
11	134-1170	2	Clamp Blue	30	134-3056	2	Hydraulic Hose
12	134-1206	2	Coupler-Quick, Female	31	134-3057	1	Hydraulic Hose
14	134-1218	1	Adaptor-90 DEG	32	134-3059	1	Hydraulic Hose
15	134-1245	6	Screw	33	134-3060	1	Hydraulic Hose
16	134-1247	1	Fitting-Reducer	34	134-3061	2	Hydr Pipe 3/16 950
17	134-1255	13	Washer	35	134-3062	1	Hydraulic Hose
18	134-1266	4	Fitting-Nipple	36	134-3063	2	Hydraulic Hose
19	134-1270	1	Fitting-Nipple	37	134-3064	1	Hydraulic Hose
24	134-3049	1	Hydraulic Hose	38	134-3065	1	Hydraulic Hose
25	134-3050	3	Screw	39	134-3066	1	Hydraulic Hose
26	134-3051	1	Hydraulic Hose	40	134-3067	1	Hydraulic Hose

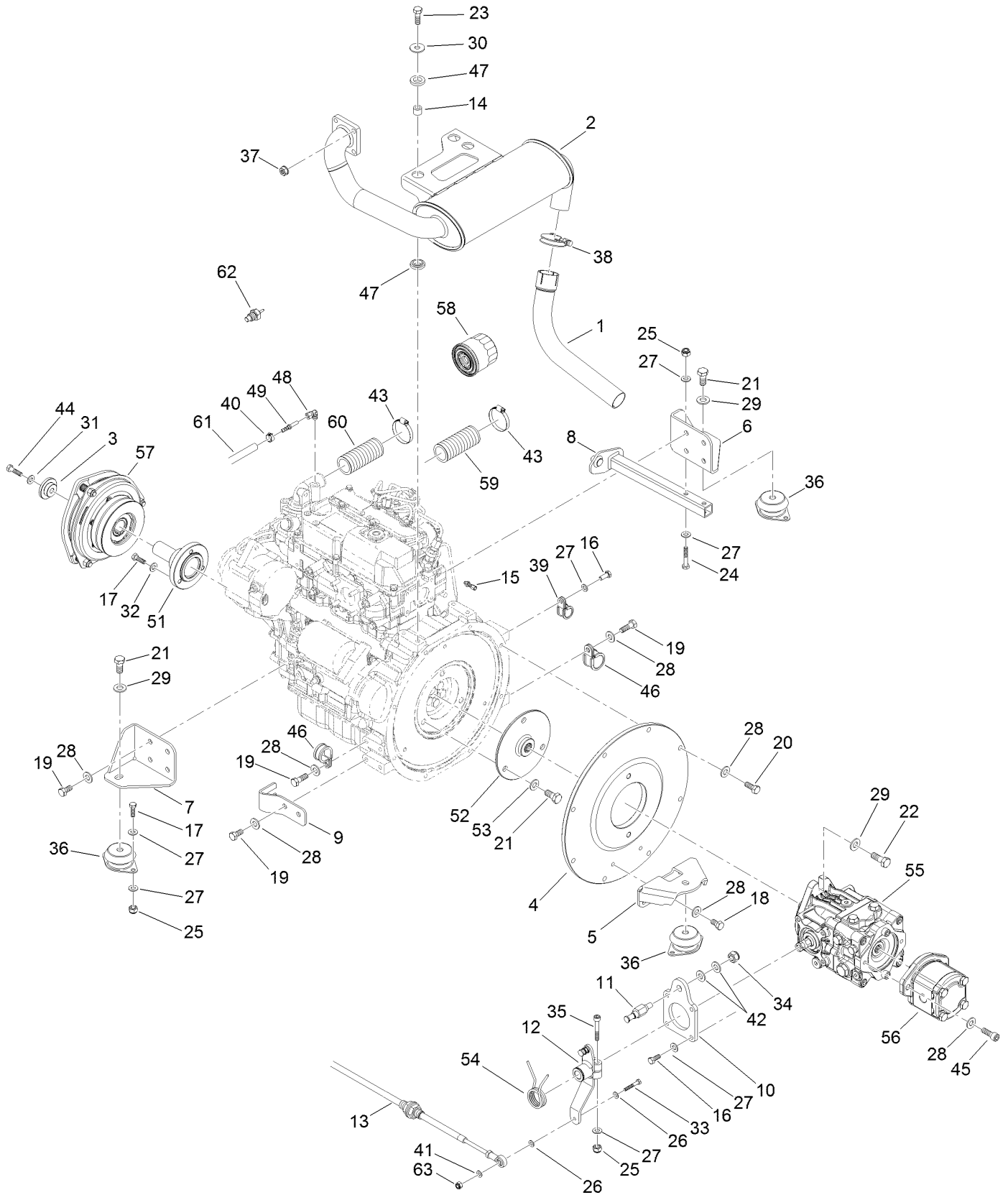
Oil Filter System Assembly



Oil Filter System Assembly (continued)

<i>Ref.</i>	<i>Part Number</i>	<i>Qty.</i>	<i>Description</i>	<i>Ref.</i>	<i>Part Number</i>	<i>Qty.</i>	<i>Description</i>
1	134-0820	1	Support-Filter, Oil	18	134-1332	1	Washer
2	134-0887	1	Washer	19	134-1336	1	Filter ASM
3	134-1032	1	O-Ring	20	134-0569	1	O-Ring
5	134-1211	1	Adaptor-90 DEG	21	134-0635	1	Tank-Oil
6	134-1212	1	Valve-One Direction Only	23	134-0617	1	O-Ring
7	134-1213	1	Fitting-Nipple	26	134-1368	1	Element-Filter , Hydraulic
8	134-1214	1	Adaptor	27	134-3070	1	Hydraulic Hose
9	134-1215	1	Adaptor	28	134-3071	1	Hydraulic Hose
10	134-1216	1	Fitting	29	134-3072	1	Hydraulic Hose
11	134-1217	1	Adaptor-90 DEG	30	134-3073	1	Hydraulic Hose
12	134-1218	1	Adaptor-90 DEG	31	134-3074	1	Hydraulic Hose
13	134-1219	1	Fitting-Reducer	32	134-3056	1	Hydraulic Hose
14	134-1220	2	Fitting-Nipple	33	134-3123	1	Filter-Tank, Hydraulic
15	134-1256	1	Washer	34	134-0786	1	Filler-Tank, Oil
16	134-1275	1	Adaptor-90 DEG	35	134-1210	1	Cap-Oil
17	134-1331	1	Fitting-Test				

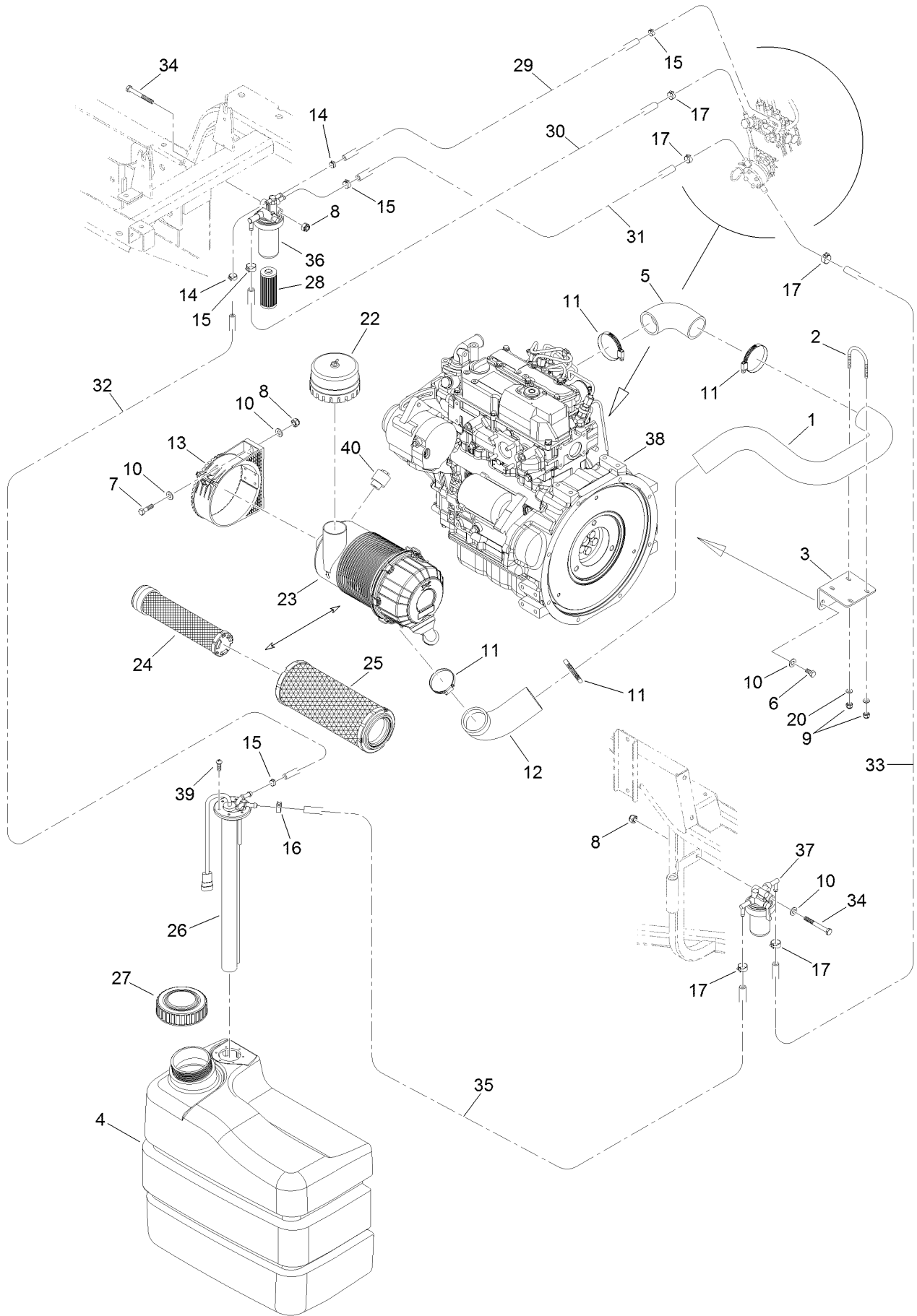
Engine, Pump and Friction Assembly



Engine, Pump and Friction Assembly (continued)

<i>Ref.</i>	<i>Part Number</i>	<i>Qty.</i>	<i>Description</i>	<i>Ref.</i>	<i>Part Number</i>	<i>Qty.</i>	<i>Description</i>
1	134-0781	1	Pipe-Exhaust	32	134-3965	1	Washer
2	134-0785	1	Muffler	33	134-1069	1	Screw
3	134-0819	1	Bushing	34	134-1079	1	Nut
4	134-0821	1	Plate, Mounting, Pump	35	134-1120	1	Screw
5	134-0822	1	Support-Engine, Ctr	36	134-1157	3	Shock Absorber
6	134-0823	1	Support-Engine, LH	37	134-1166	1	Nut
7	134-0824	1	Support-Engine, RH	38	134-1195	1	Clamp
8	134-0830	1	Stop-Clutch	39	134-1197	1	Clamp
9	134-0844	1	Support	40	134-1201	1	Clamp
10	134-0847	1	Bracket	41	134-1234	1	Washer
11	134-0848	1	Shaft-Neutral, Hydrostat	42	134-1237	1	Washer-Belleville
12	134-0849	1	Lever-Forward, Pedal	43	134-1277	1	Clamp
13	134-0854	1	Cable-Forward	44	134-1301	1	Screw
14	134-0862	1	Spacer	45	134-1306	1	Screw
15	134-0867	1	Adjuster	46	134-1321	2	Clamp
16	134-1011	2	Screw	47	134-1325	2	Shock Absorber
17	134-3966	2	Screw	48	134-1333	1	Adaptor-90 DEG
18	134-1016	1	Screw	49	134-1334	2	Fitting
19	134-1017	4	Screw	51	134-3964	1	Shaft-Drive
20	134-1018	1	Screw	52	134-0633	1	Joint
21	134-1020	3	Screw	53	134-0591	1	Washer
22	134-1021	1	Screw	54	134-0638	1	Spring-Return
23	134-1023	1	Screw	55	134-0580	1	Pump-Drive
24	134-1029	1	Screw	56	134-0583	1	Pump-Gear, Hydraulic
25	134-1038	3	Nut	57	134-0578	1	Clutch
26	134-1044	2	Washer	58	135-4181	1	Filter-Oil, Engine
27	134-1045	7	Washer	59	134-2977	1	Pipe
28	134-1046	7	Washer	60	134-2976	1	Pipe
29	134-1047	3	Washer	61	134-2978	1	Pipe
30	134-1048	1	Washer	62	134-3128	1	Sensor-Temperature
31	134-1051	1	Washer	63	134-1041	1	Nut

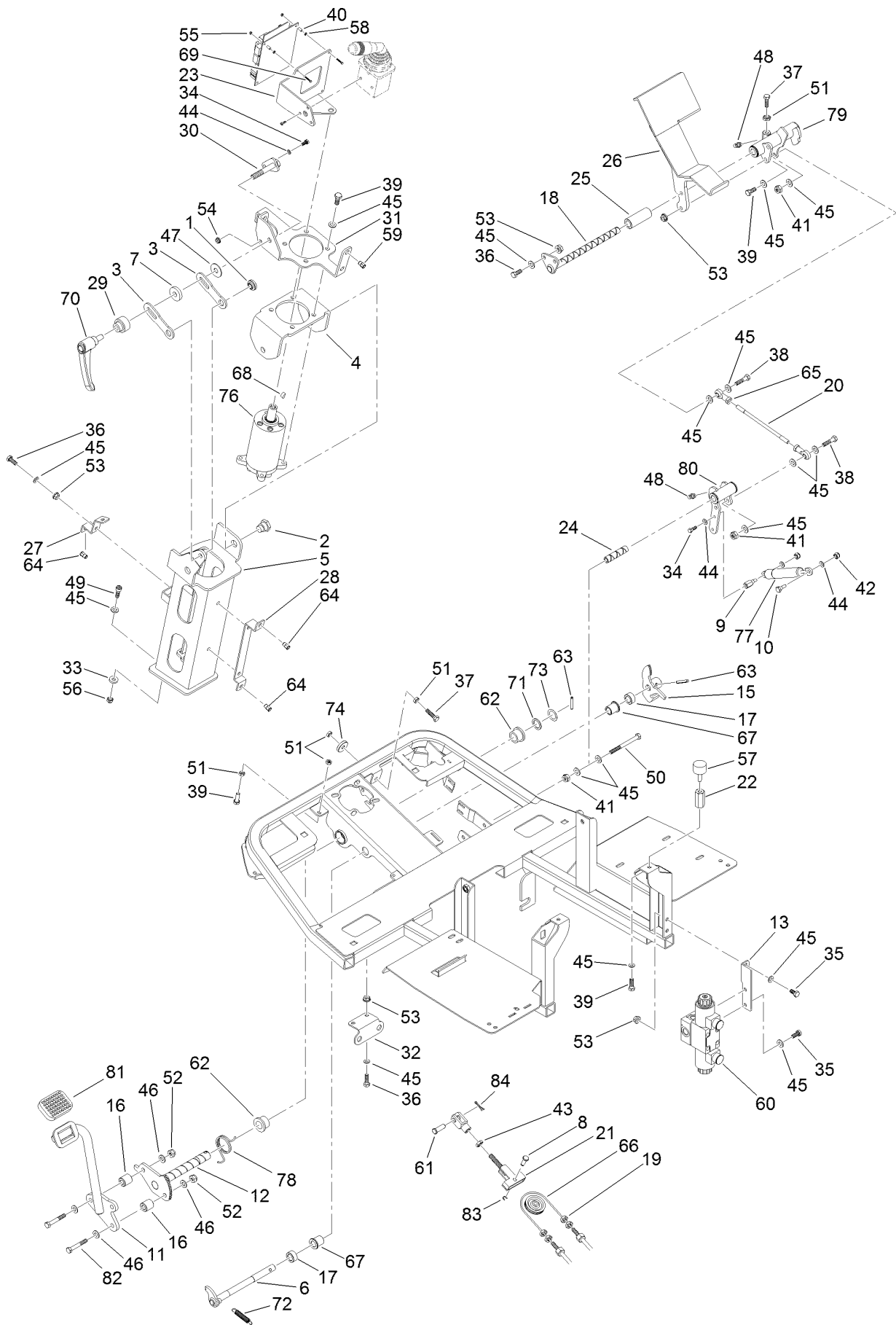
Engine, Fuel and Suction Assembly



Engine, Fuel and Suction Assembly (continued)

<i>Ref.</i>	<i>Part Number</i>	<i>Qty.</i>	<i>Description</i>	<i>Ref.</i>	<i>Part Number</i>	<i>Qty.</i>	<i>Description</i>
1	134-3955	1	Hose-Plastic, Air Filter	22	134-0567	1	Prefilter-Air
2	134-3958	2	U-Bolt	23	134-3959	1	Filter-Air
3	134-3954	1	Bracket-Air Filter Hose	24	134-3960	1	Cartridge-Filter
4	134-1989	1	Tank-Fuel	25	134-3961	1	Element-Air Filter, Inner
5	134-3957	1	Hose Plastic-Air Filter, 90 Degree	26	134-0573	1	Float
6	134-1010	2	Screw	27	134-1988	1	Cap-Tank, Diesel
7	134-1012	2	Screw	28	134-3085	1	Element-Filter, Fuel
8	134-1038	4	Nut	29	134-3078	1	Hose-Fuel
9	134-1042	4	Nut	30	134-3079	1	Hose-Fuel
10	134-1045	5	Washer	31	134-3080	1	Pipe
11	134-1103	4	Clamp	32	134-3081	1	Pipe
12	134-3956	1	Hose-Plastic, Air Filter	33	134-3082	1	Pipe
13	134-3962	1	Clamp	34	134-3083	2	Screw
14	134-1200	2	Clamp	35	134-3084	1	Pipe
15	134-1201	4	Clamp	36	134-1447	1	Fuel Filter ASM
16	134-1202	1	Clamp	37	134-1509	1	Water Separator ASM
17	134-1203	5	Clamp	38	134-1996	1	Engine-Yanmar
20	134-1044	4	Washer	39	134-1312	1	Screw
				40	134-1228	1	Indicator-Filter, Air

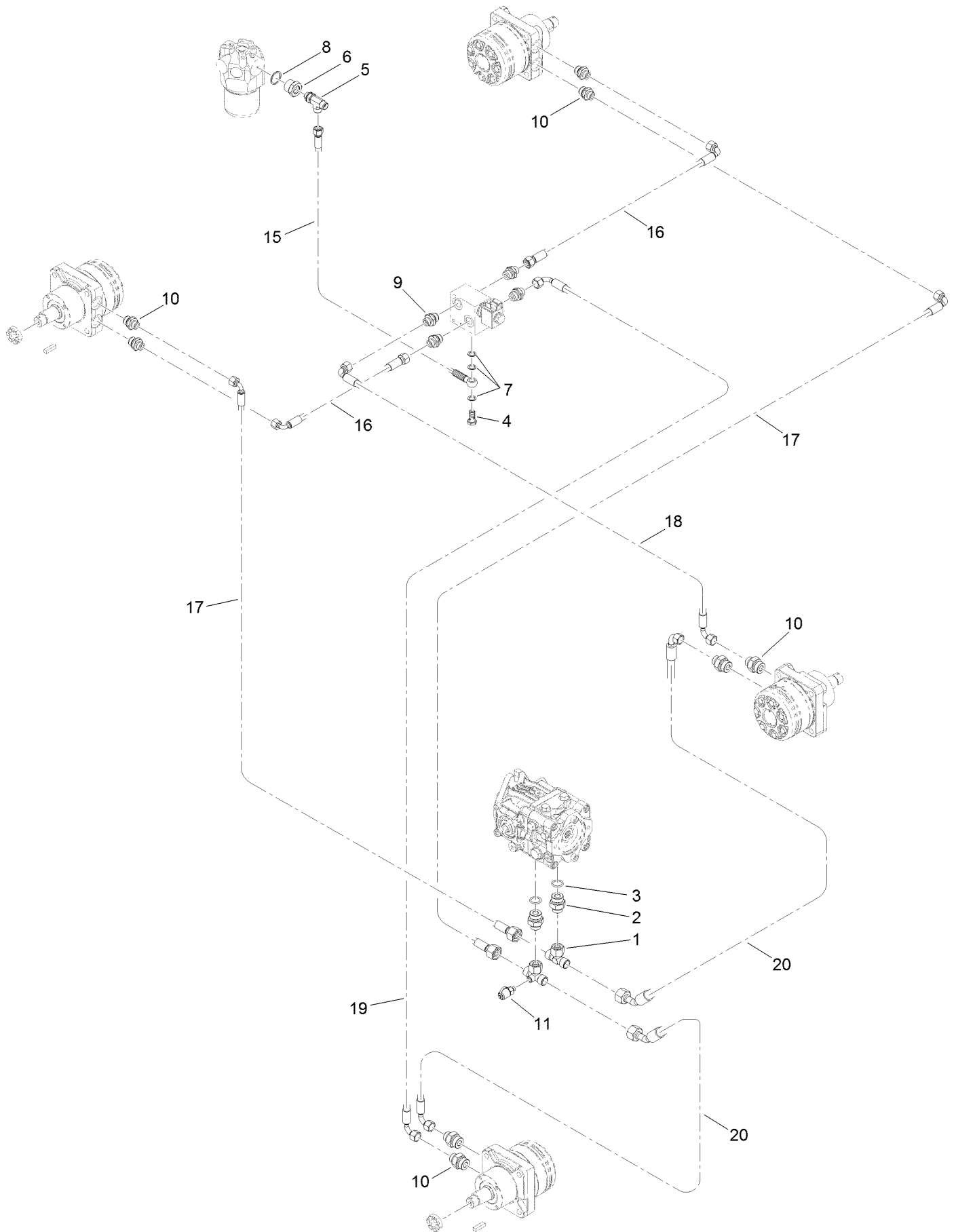
Operator Platform Assembly



Operator Platform Assembly (continued)

<i>Ref.</i>	<i>Part Number</i>	<i>Qty.</i>	<i>Description</i>	<i>Ref.</i>	<i>Part Number</i>	<i>Qty.</i>	<i>Description</i>
1	134-0703	1	Bushing	43	134-1043	1	Nut
2	134-0705	1	Pin	44	134-1044	3	Washer
3	134-0706	2	Rod-Connecting	45	134-1045	16	Washer
4	134-0707	1	Hinge	46	134-1046	3	Washer
5	134-0708	1	Column-Steering	47	134-1048	1	Washer
6	134-0716	1	Camshaft	48	134-1065	2	Fitting-Grease
7	134-0746	1	Spacer	49	134-1068	1	Screw
8	134-0750	1	Pin	50	134-1073	1	Screw
9	134-0756	1	Pin	51	134-1078	4	Nut
10	134-0757	1	Pin	52	134-1081	2	Nut
11	134-0789	1	Pedal-Brake	53	134-1082	5	Nut
12	134-0791	1	Pedal-Brake	54	134-1084	1	Nut
13	134-0836	1	Bracket	55	134-1085	1	Nut
15	134-0846	1	Lock-Brake	56	134-1092	1	Nut
16	134-0888	2	Spacer	57	134-1163	1	Pad-Rubber
17	134-0894	2	Spacer	58	134-1167	1	Nut
18	134-0896	1	Pin	59	134-1194	1	Insert-Threaded
19	134-0898	1	Cable-Brake	60	134-1209	1	Valve-Electric
20	134-0907	1	Lever-Valve, Aux	61	134-1242	1	Pin
21	134-0910	1	Fork	62	134-1249	2	Bushing
22	134-0912	1	Column	63	134-1254	2	Plug-Spirol
23	134-0929	1	Support	64	134-1257	3	Insert-Threaded
24	134-0934	1	Bushing	65	134-1259	1	Head-Cylinder
25	134-0938	1	Spacer	66	134-1263	1	Pulley
26	134-0940	1	Pedal-Forward/Reverse	67	134-1264	2	Bushing
27	134-0942	1	Bracket	68	134-1272	1	Key-Shaft
28	134-0943	1	Bracket	69	134-1313	1	Screw
29	134-0948	1	Bushing	70	134-1322	1	Handlesteering Column
30	134-0949	1	Screw	71	134-1323	1	Spacer
31	134-0957	1	Support	72	134-1353	1	Spring
32	134-0960	1	Bracket	73	134-1354	1	Spacer
33	134-0997	1	Washer	74	134-1355	1	Washer
34	134-1008	2	Screw	76	134-0581	1	Drive-Hydraulic
35	134-1010	2	Screw	77	134-0594	1	Absorber-Shock
36	134-1011	3	Screw	78	134-0634	1	Spring-Pedal, Brake
37	134-1013	2	Screw	79	134-3087	1	Traction Pedal Pin
38	134-1014	2	Screw	80	134-3088	1	Pedal Comp
39	134-1015	4	Screw	81	134-3089	1	Dust Cap
40	134-1031	1	Bushing-Nylon	82	134-3090	1	Screw
41	134-1038	3	Nut	83	134-3091	1	Ring Snap
42	134-1042	1	Nut	84	134-2957	1	Pin-Split

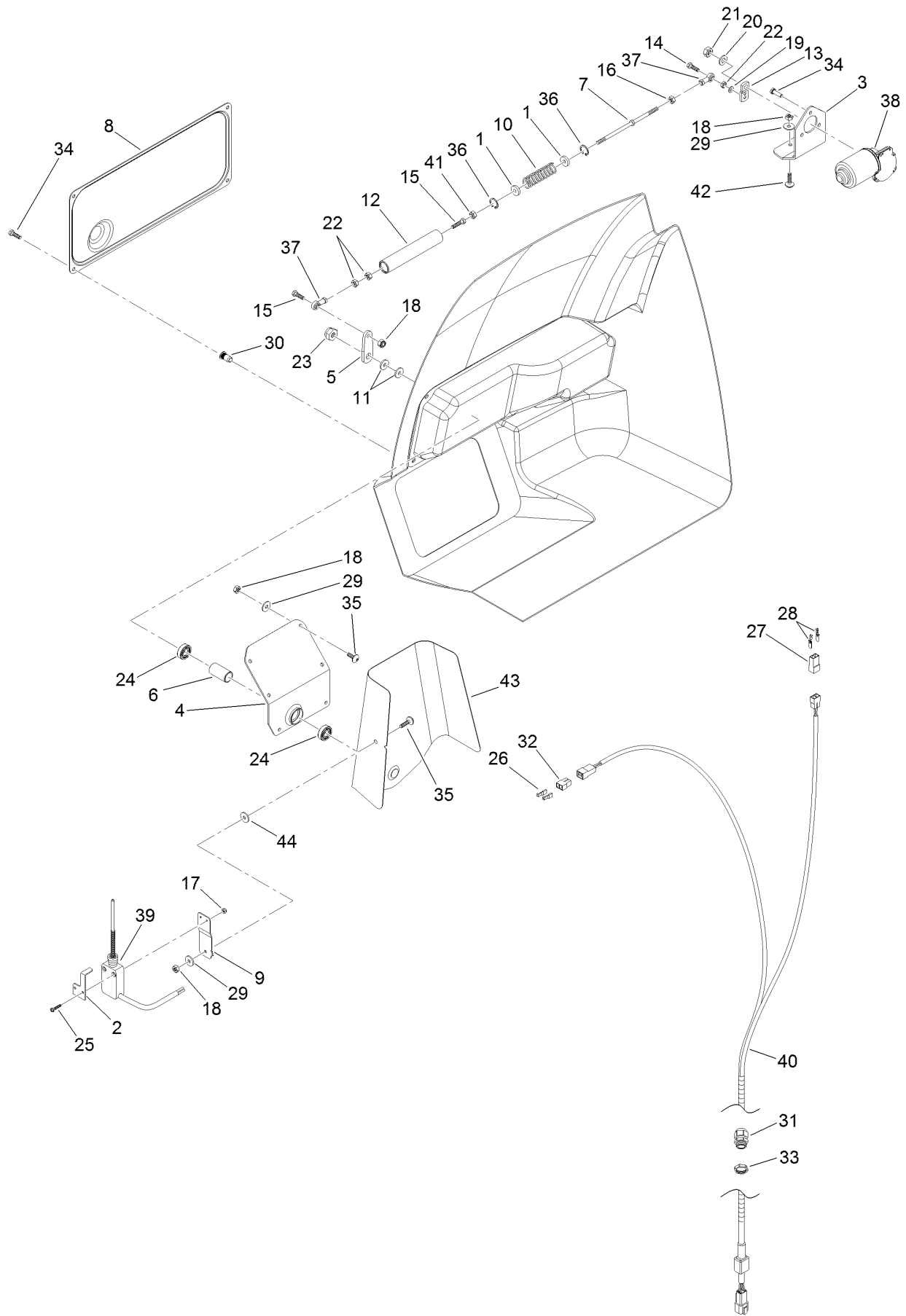
Oil System Motors Assembly



Oil System Motors Assembly (continued)

<i>Ref.</i>	<i>Part Number</i>	<i>Qty.</i>	<i>Description</i>	<i>Ref.</i>	<i>Part Number</i>	<i>Qty.</i>	<i>Description</i>
1	134-0754	1	Fitting-Adapter, T	10	134-1329	4	Fitting-Nipple
2	134-0855	1	Fitting	11	134-1331	1	Fitting-Test
3	134-1064	1	O-Ring	15	134-3093	1	Hydraulic Hose
4	134-1102	1	Screw	16	134-3094	2	Hydraulic Hose
5	134-1218	1	Adaptor-90 DEG	17	134-3096	2	Hydraulic Hose
6	134-1219	1	Fitting-Reducer	18	134-3097	1	Hydraulic Hose
7	134-1255	2	Washer	19	134-3099	1	Hydraulic Hose
8	134-1256	1	Washer	20	134-3100	2	Hydraulic Hose
9	134-1267	1	Fitting				

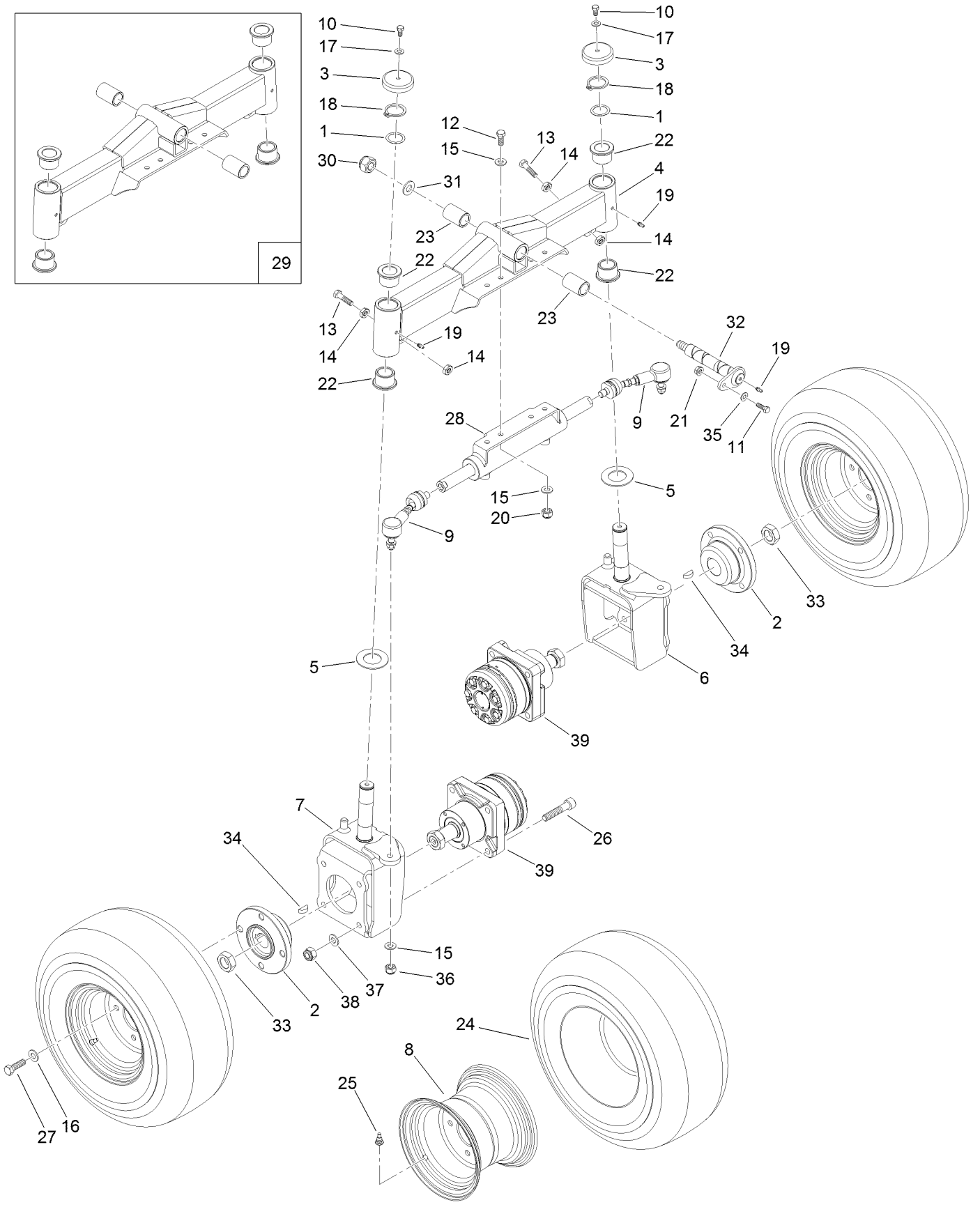
Road Basket Assembly



Road Basket Assembly (continued)

<i>Ref.</i>	<i>Part Number</i>	<i>Qty.</i>	<i>Description</i>	<i>Ref.</i>	<i>Part Number</i>	<i>Qty.</i>	<i>Description</i>
1	134-0691	2	Washer	24	134-1104	2	Bearing
2	134-0700	1	Bracket	25	134-1113	1	Screw
3	134-0766	1	Support-Engine	26	134-1221	1	Cap-Cable End, Female
4	134-0767	1	Support-Spreader	27	134-1222	1	Connector-Electric
5	134-0768	1	Lever-Hopper	28	134-1225	1	Connector
6	134-0841	1	Spacer	29	134-1234	3	Washer
7	134-0872	1	Rod	30	134-1253	1	Insert-Threaded
8	134-0914	1	Cover	31	134-1278	1	Fitting-Union
9	134-0916	1	Support-Sensor, Catcher	32	134-1288	1	Connector-Electric
10	134-0926	1	Spring	33	134-1292	1	Nut-Plastic
11	134-0998	1	Spacer	34	134-1303	2	Screw
12	134-1002	1	Body	35	134-1304	2	Screw
13	134-1003	1	Plate, Hopper-Spreader	36	134-0562	1	Circlip
14	134-1009	1	Screw	37	134-0592	1	Head-Joint
15	134-1028	2	Screw	38	134-0595	1	Baffle-Motor
16	134-1039	1	Nut	39	134-0607	1	Microswitch-Full, Grass Catcher
17	134-1040	1	Nut	40	134-0601	1	Wiring-Catcher, Grass
18	134-1042	4	Nut	41	134-3101	1	Nut
19	134-1044	1	Washer	42	134-3102	1	Circlip
20	134-1054	1	Washer	43	134-3103	1	Manifold
21	134-1078	1	Nut	44	134-1237	1	Washer-Belleville
22	134-1080	2	Nut				
23	134-1081	1	Nut				

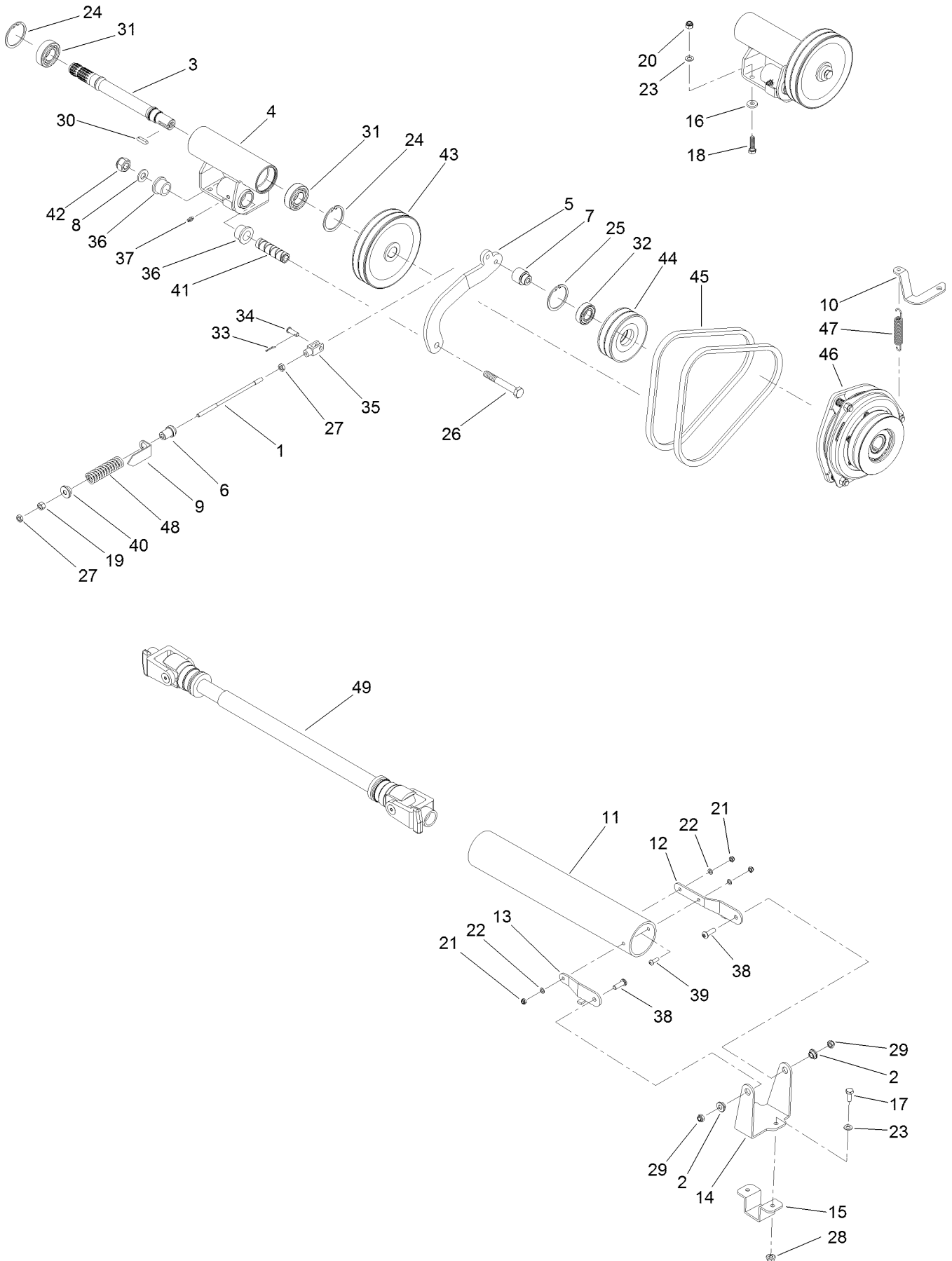
Rear Axle Assembly



Rear Axle Assembly (continued)

<i>Ref.</i>	<i>Part Number</i>	<i>Qty.</i>	<i>Description</i>	<i>Ref.</i>	<i>Part Number</i>	<i>Qty.</i>	<i>Description</i>
1	134-4927	2	Spacer	21	134-1082	1	Nut
2	134-0721	2	Flange	22	134-1188	4	Bushing
3	134-0723	2	Cap	23	134-1189	2	Bushing
4	134-0769	1	Axle-Rear	24	134-1230	1	Tire-Rear
5	134-0770	2	Washer	25	134-1261	1	Valve-Tire
6	134-0774	1	Fork	26	134-1298	8	Screw
7	134-0775	1	Fork	27	134-1305	1	Screw
8	134-0818	1	Rim-Wheel, Rear	28	134-0657	1	Piston-Steering
9	134-0860	1	Articulation	29	134-3104	1	Rear Axle
10	134-1010	2	Screw	30	134-3105	1	Nut
11	134-1015	1	Screw	31	134-2962	1	Washer
12	134-1018	1	Screw	32	134-3106	1	Pin
13	134-1030	1	Screw	33	134-3107	2	Nut
14	134-1043	2	Nut	34	134-3108	2	Key-Feather
15	134-1046	3	Washer	35	134-1045	1	Washer
16	134-1047	1	Washer	36	134-3110	2	Nut
17	134-1054	2	Washer	37	134-0591	8	Washer
18	134-1061	2	Ring-Retaining, Int	38	134-0561	8	Nut
19	134-1065	3	Fitting-Grease	39	134-0667	2	Motor-Hydraulic, Rear
20	134-1079	1	Nut				

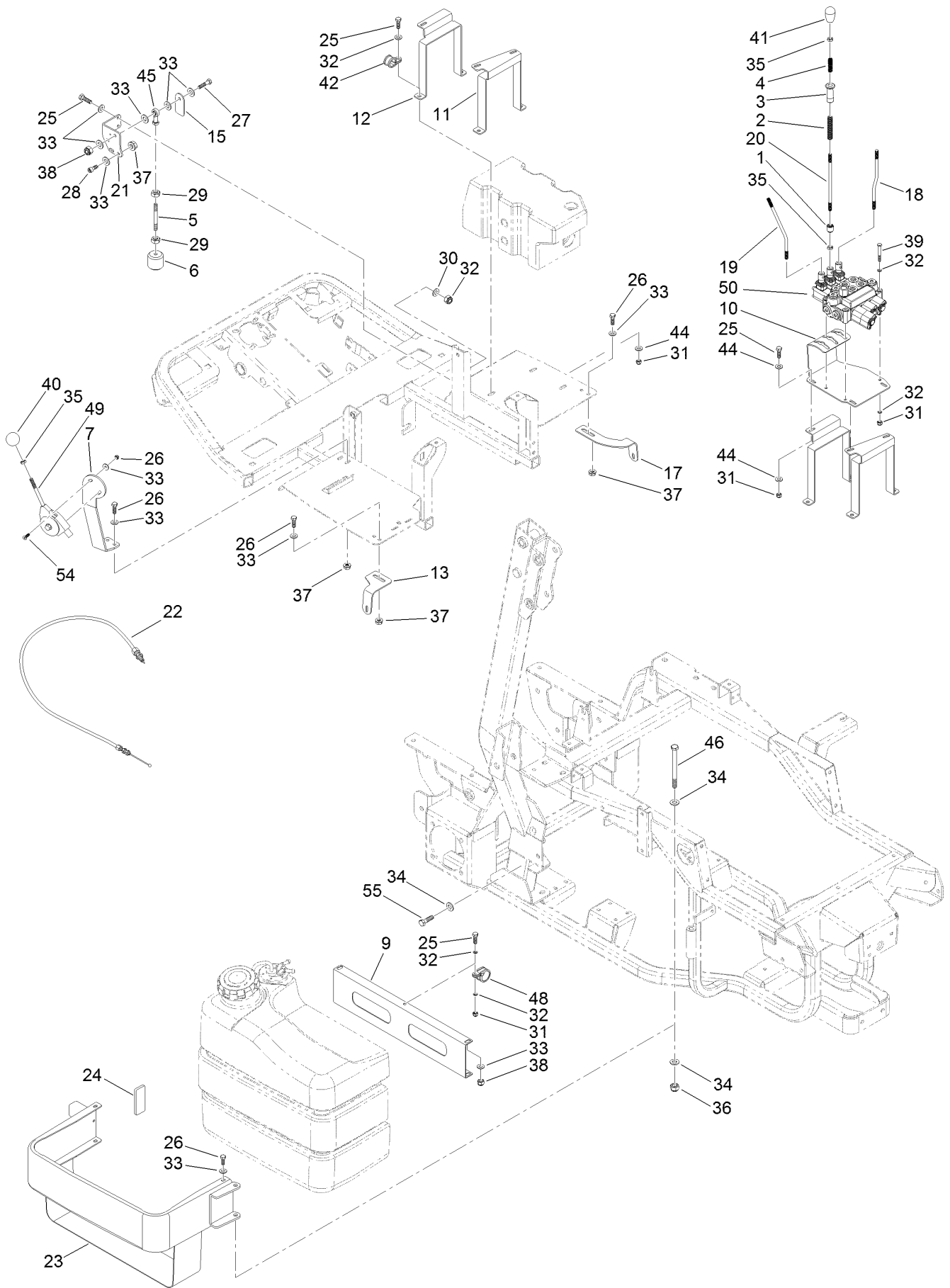
Transmission, PTO and Drive Shaft Assembly



Transmission, PTO and Drive Shaft Assembly (continued)

<i>Ref.</i>	<i>Part Number</i>	<i>Qty.</i>	<i>Description</i>	<i>Ref.</i>	<i>Part Number</i>	<i>Qty.</i>	<i>Description</i>
1	134-0701	1	Rod	25	134-1058	1	Ring-Retaining, Int
2	134-0729	2	Bushing	26	134-1075	1	Screw
3	134-0779	1	Shaft	27	134-1078	2	Nut
4	134-0780	1	Flange-Dust	28	134-1082	1	Nut
5	134-0782	1	Lever-Belt Tensioner	29	134-1092	2	Nut
6	134-0783	1	Pin-Guide, Nylon	30	134-1100	1	Key-Shaft
7	134-0784	1	Bushing	31	134-1105	2	Bearing
8	134-0866	1	Washer	32	134-1108	1	Bearing
9	134-0893	1	Spring-Belt Tension Indicator	33	134-1132	1	Pin-Spring
10	134-0919	1	Bracket	34	134-1236	1	Pin
11	134-0967	1	Tube-Protector, Polyethylene	35	134-1239	1	Fork
12	134-0968	1	Bracket	36	134-1249	2	Bushing
13	134-0969	1	Bracket	37	134-1258	1	Fitting-Grease
14	134-0970	1	Fork	38	134-1302	2	Screw
15	134-0971	1	Bracket	39	134-1311	1	Screw
16	134-0997	1	Washer	40	134-1349	1	Guide-Spring
17	134-1011	1	Screw	41	134-1351	1	Spacer
18	134-1012	1	Screw	42	134-0561	1	Nut
19	134-1034	1	Nut	43	134-0622	1	Pulley
20	134-1038	1	Nut	44	134-1365	1	Pulley
21	134-1042	2	Nut	45	134-0577	1	Belt-PTO
22	134-1044	2	Washer	46	134-0578	1	Clutch
23	134-1045	2	Washer	47	134-1364	1	Spring-Clutch
24	134-1057	2	Ring-Retaining, Int	48	134-0618	1	Spring
				49	134-6309	1	Driveshaft-PTO

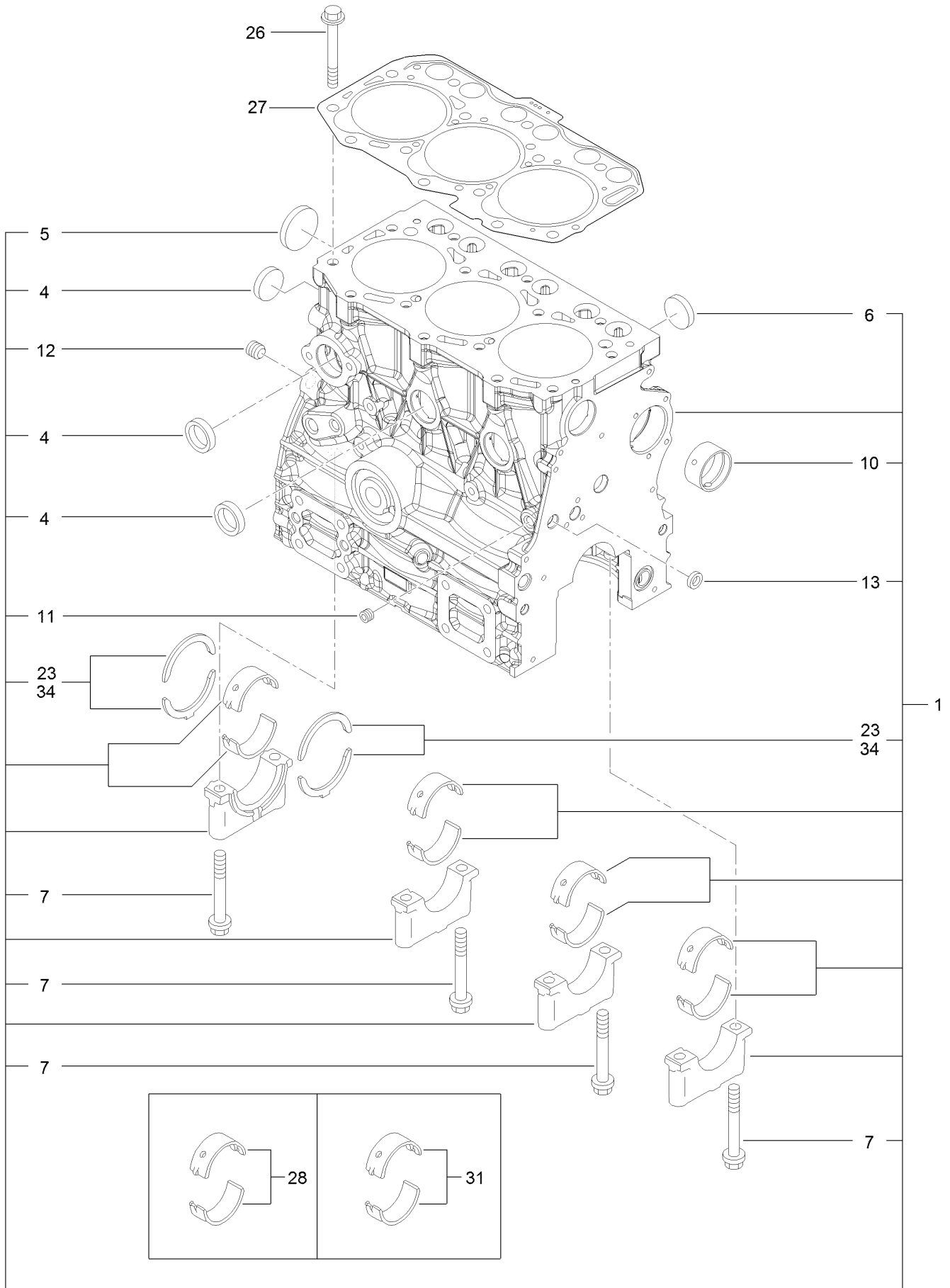
Fuel and Oil Tank Assembly



Fuel and Oil Tank Assembly (continued)

<i>Ref.</i>	<i>Part Number</i>	<i>Qty.</i>	<i>Description</i>	<i>Ref.</i>	<i>Part Number</i>	<i>Qty.</i>	<i>Description</i>
1	134-0696	1	Connector	28	134-1026	1	Screw
2	134-0697	1	Spring	29	134-1034	2	Nut
3	134-0698	1	Knob	30	134-1041	1	Nut
4	134-0699	1	Spring	31	134-1042	4	Nut
5	134-0735	1	Rod	32	134-1044	6	Washer
6	134-0736	1	Rocker	33	134-1045	11	Washer
7	134-0772	1	Support-Throttle	34	134-1046	3	Washer
9	134-0787	1	Rail-Cross	35	134-1078	3	Nut
10	134-0792	1	Support-Valve, Aux	36	134-1079	1	Nut
11	134-0794	1	Clamp-Band	37	134-1082	4	Nut
12	134-0795	1	Clamp-Band	38	134-1092	2	Nut
13	134-0828	1	Bracket	39	134-1118	1	Screw
15	134-0845	1	Support-Lock, Diff	40	134-1146	1	Ball
17	134-0895	1	Bracket	41	134-1179	1	Knob
18	134-0905	1	Lever-Valve, Aux	42	134-1197	1	Clamp
19	134-0906	1	Lever-Valve, Aux	44	134-1234	3	Washer
20	134-0907	1	Lever-Valve, Aux	45	134-1259	1	Head-Cylinder
21	134-0952	1	Bracket	46	134-1295	1	Screw
22	134-0953	1	Cable	48	134-1318	1	Clamp
23	134-0959	1	Support-Tank, Fuel	49	134-0568	1	Lever-Throttle
24	134-0982	1	Grommet-Rubber, Tank	50	134-3054	1	Valve-Lift
25	134-1009	4	Screw	54	134-3111	1	Screw
26	134-1011	5	Screw	55	134-3112	1	Screw
27	134-1014	1	Screw				

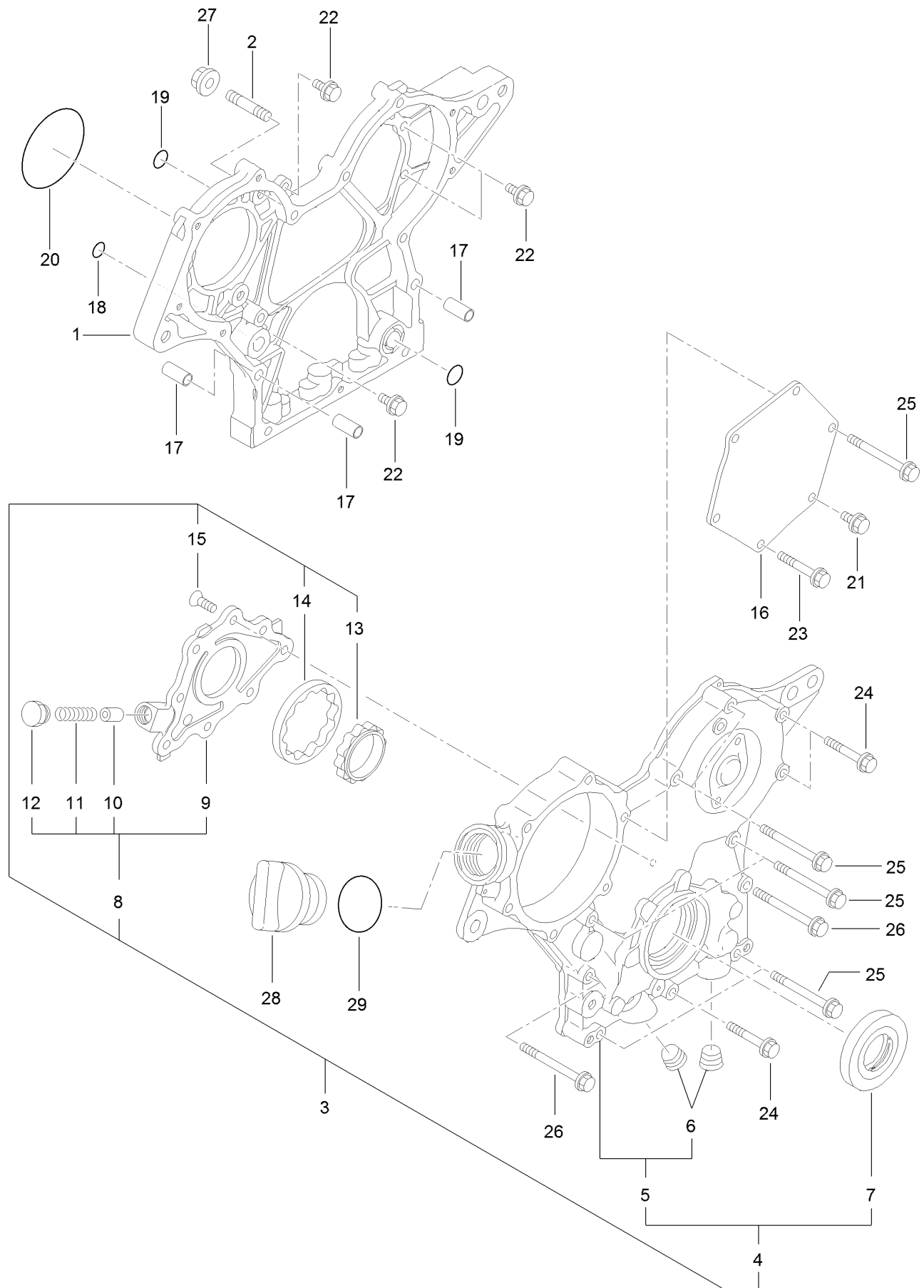
Cylinder Block Assembly



Cylinder Block Assembly (continued)

<i>Ref.</i>	<i>Part Number</i>	<i>Qty.</i>	<i>Description</i>	<i>Ref.</i>	<i>Part Number</i>	<i>Qty.</i>	<i>Description</i>
1	135-4030	1	Cylinder Block ASM	13	125-7237	1	Plug
4	135-4031	4	Plug-Cup	23	135-4036	2	Thrust Bearing ASM
5	135-4032	1	Plug-Dish	26	135-4037	14	Bolt-Head, Cylinder
6	135-4033	3	Plug-Cup	27	135-4038	1	Head Gasket Set
7	135-4034	8	Bolt-Cap	28	135-4039	4	Main Bearing ASM
10	135-4035	1	Bushing-Camshaft	31	135-4040	4	Main Bearing ASM
11	125-6969	1	Plug	34	135-4041	2	Bearing-Thrust
12	125-6973	1	Plug				

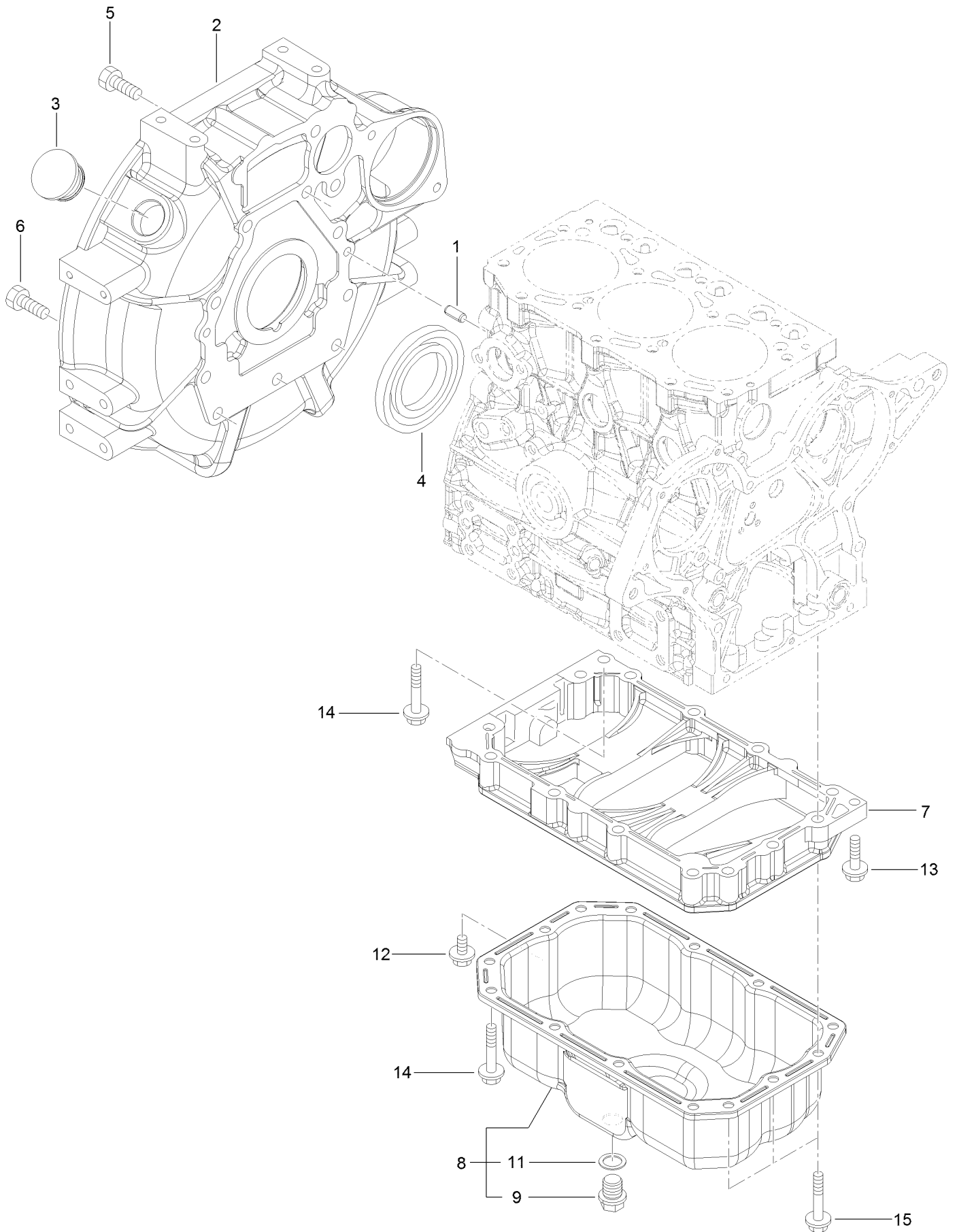
Gear Housing Assembly



Gear Housing Assembly (continued)

<i>Ref.</i>	<i>Part Number</i>	<i>Qty.</i>	<i>Description</i>	<i>Ref.</i>	<i>Part Number</i>	<i>Qty.</i>	<i>Description</i>
1	135-4042	1	Case-Gear	16	135-4056	1	Cover-Pump
2	135-4043	3	Bolt-Stud	17	135-4057	4	Dowel-Pipe
3	135-4044	1	Gear Case Cover ASM	18	127-2973	1	O-Ring
4	135-4045	1	Gear Case Cover ASM	19	135-4058	3	O-Ring
5	135-4046	1	Cover-Case, Gear	20	125-6957	1	O-Ring
6	133-6798	2	Plug	21	125-7206	1	Bolt
7	135-4047	1	Seal-Oil	22	125-7208	4	Bolt
8	135-4048	1	Cover ASM	23	125-7211	4	Bolt
9	135-4049	1	Cover-Pump	24	125-7211	3	Bolt
10	135-4050	1	Valve-Relief	25	135-4059	7	Bolt
11	135-4051	1	Spring	26	136-8257	2	Bolt
12	135-4052	1	Plug	27	125-7229	3	Nut
13	135-4053	1	Rotor-Inner	28	125-6972	1	Cover-Filler
14	135-4054	1	Rotor-Outer	29	125-7197	1	O-Ring
15	135-4055	8	Screw				

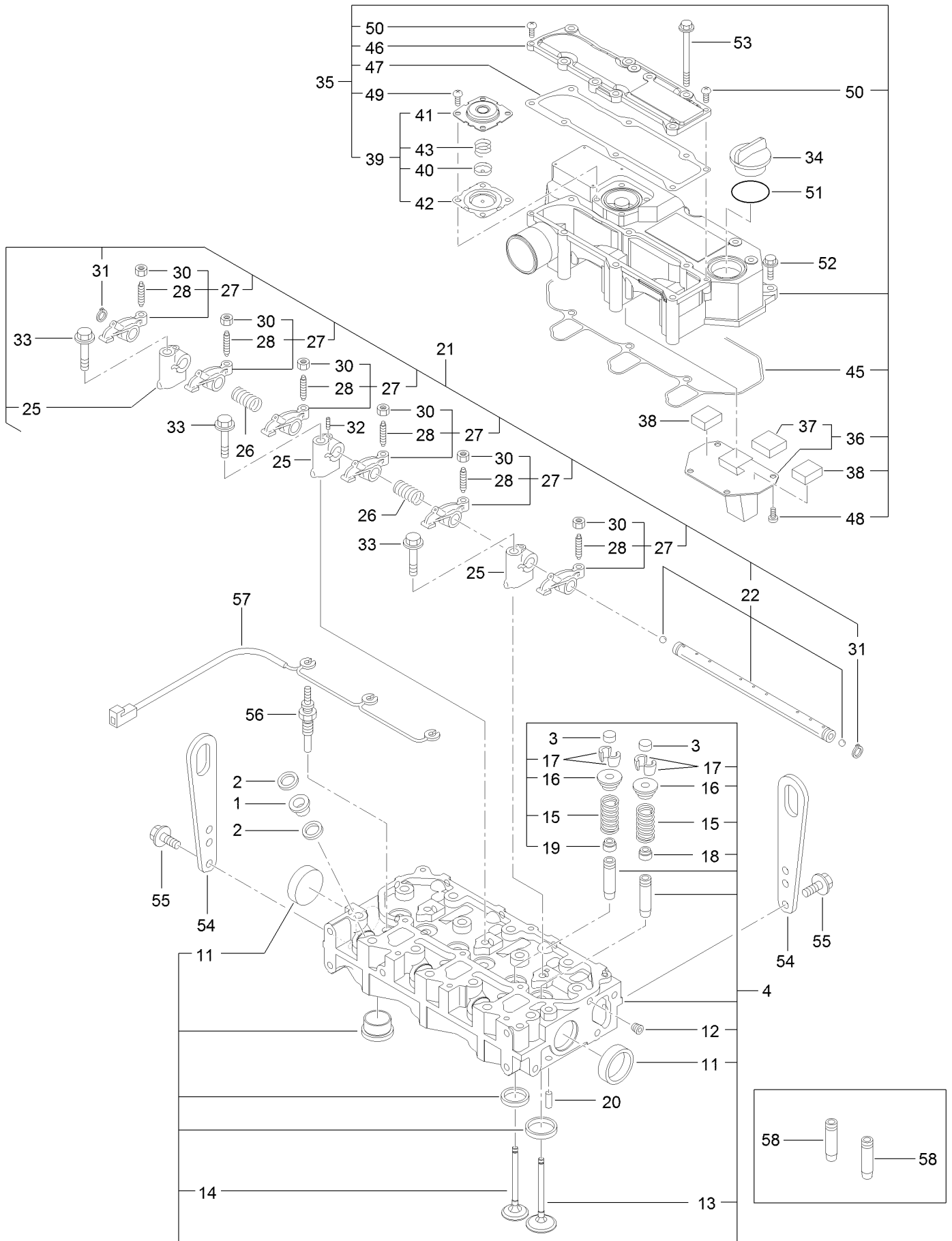
Flywheel Housing and Oil Sump Assembly



Flywheel Housing and Oil Sump Assembly (continued)

<i>Ref.</i>	<i>Part Number</i>	<i>Qty.</i>	<i>Description</i>	<i>Ref.</i>	<i>Part Number</i>	<i>Qty.</i>	<i>Description</i>
1	125-6995	2	Pin	8	134-1398	1	Oil Pan ASM
2	134-1397	1	Housing-Flywheel	9	135-4068	1	Plug
3	125-6910	1	Cap	11	136-8236	1	Washer-Seal
4	135-4064	1	Seal-Oil	12	125-7212	1	Bolt
5	125-7226	8	Bolt	13	125-7216	1	Bolt
6	125-7227	3	Bolt	14	125-7219	11	Bolt
7	135-4066	1	Spacer-Pan, Oil	15	125-7220	3	Bolt

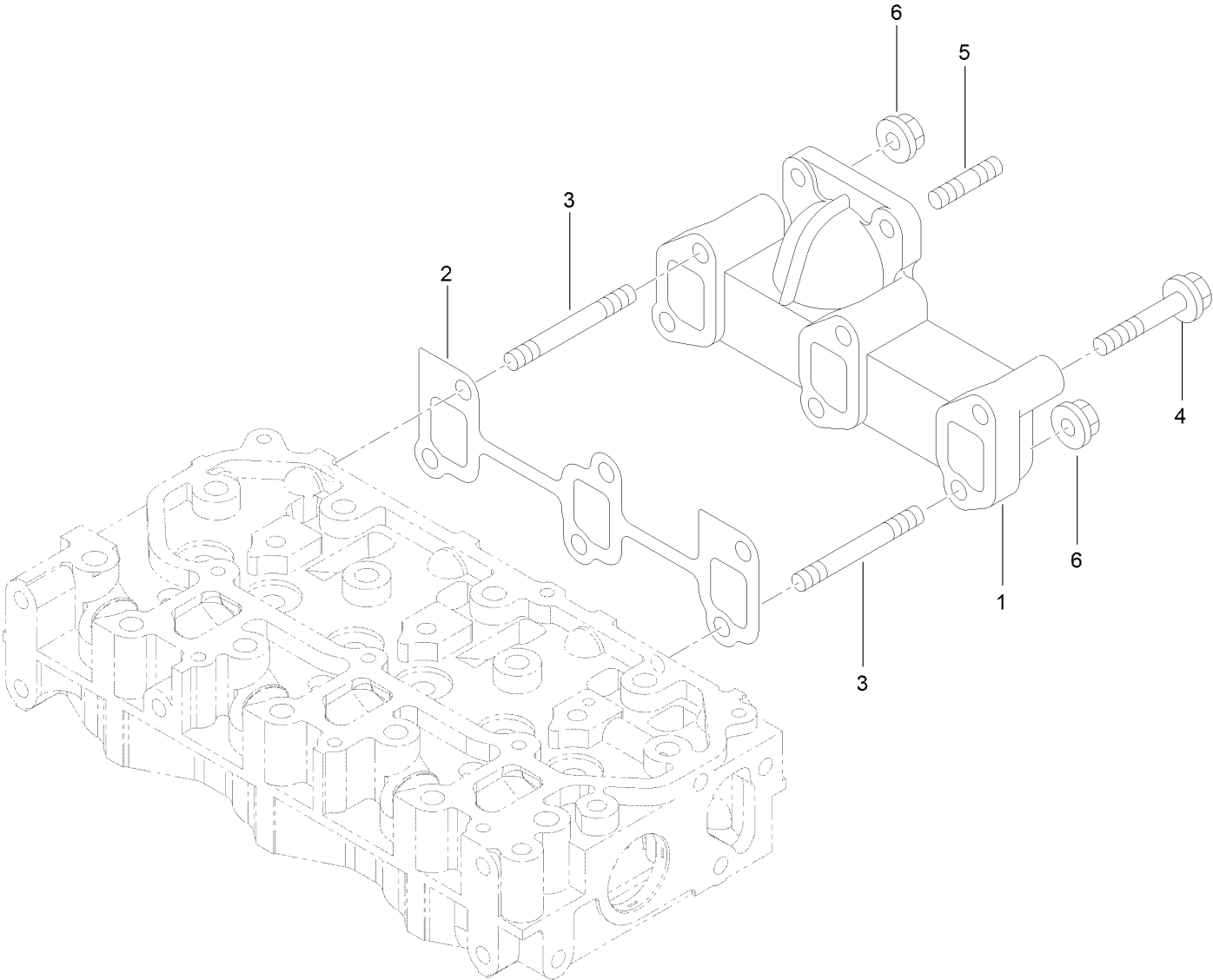
Cylinder Head and Cover Assembly



Cylinder Head and Cover Assembly (continued)

<i>Ref.</i>	<i>Part Number</i>	<i>Qty.</i>	<i>Description</i>	<i>Ref.</i>	<i>Part Number</i>	<i>Qty.</i>	<i>Description</i>
1	135-4069	3	Protector-Nozzle	35	134-1402	1	Cylinder Head Cover ASM
2	135-4070	6	Gasket-Nozzle	36	135-4085	1	Plate-Baffle
3	135-4071	6	Cap-Valve	37	135-4086	1	Baffle-Breather
4	134-4001	1	Cylinder Head ASM	38	135-4086	2	Baffle-Breather
11	135-4073	2	Plug-Cup	39	135-4088	1	Diaphragm ASM
12	133-6797	1	Plug	40	135-4089	1	Plate-Diaphragm
13	135-4074	3	Valve-Suction	41	135-4090	1	Cover-Diaphragm
14	135-4075	3	Valve-Exhaust	42	135-4091	1	Diaphragm
15	135-4076	6	Spring-Valve	43	135-4092	1	Spring-Diaphragm
16	125-7054	6	Retainer	45	135-4093	1	Gasket-Cover, Cylinder Head
17	125-6914	12	Cotter				
18	125-6915	3	Seal-Stem, Valve	46	134-1401	1	Cover-Head, Cylinder
19	125-6916	3	Seal-Stem, Valve	47	135-4095	1	Gasket
20	125-7184	2	Pin-Spring	48	125-7186	4	Screw
21	135-4077	1	Rocker Support ASM	49	125-7186	4	Screw
22	135-4078	1	Rocker Shaft ASM	50	127-3168	2	Screw
25	135-4079	3	Support-Arm, Rocker	51	125-7197	1	O-Ring
26	135-4080	2	Spring-Rocker	52	125-7209	3	Bolt
27	135-4081	6	Rocker Arm ASM	53	135-4096	6	Bolt
28	125-7013	6	Screw-Adjust, Valve	54	125-7111	2	Lifter
30	125-7014	6	Nut	55	125-7214	4	Bolt
31	135-7082	2	Ring	56	135-4291	3	Plug-Glow
32	135-4083	1	Screw	57	134-1443	1	Connector-Plug, Glow
33	125-7218	3	Bolt	58	125-6917	6	Guide
34	125-6972	1	Cover-Filler				

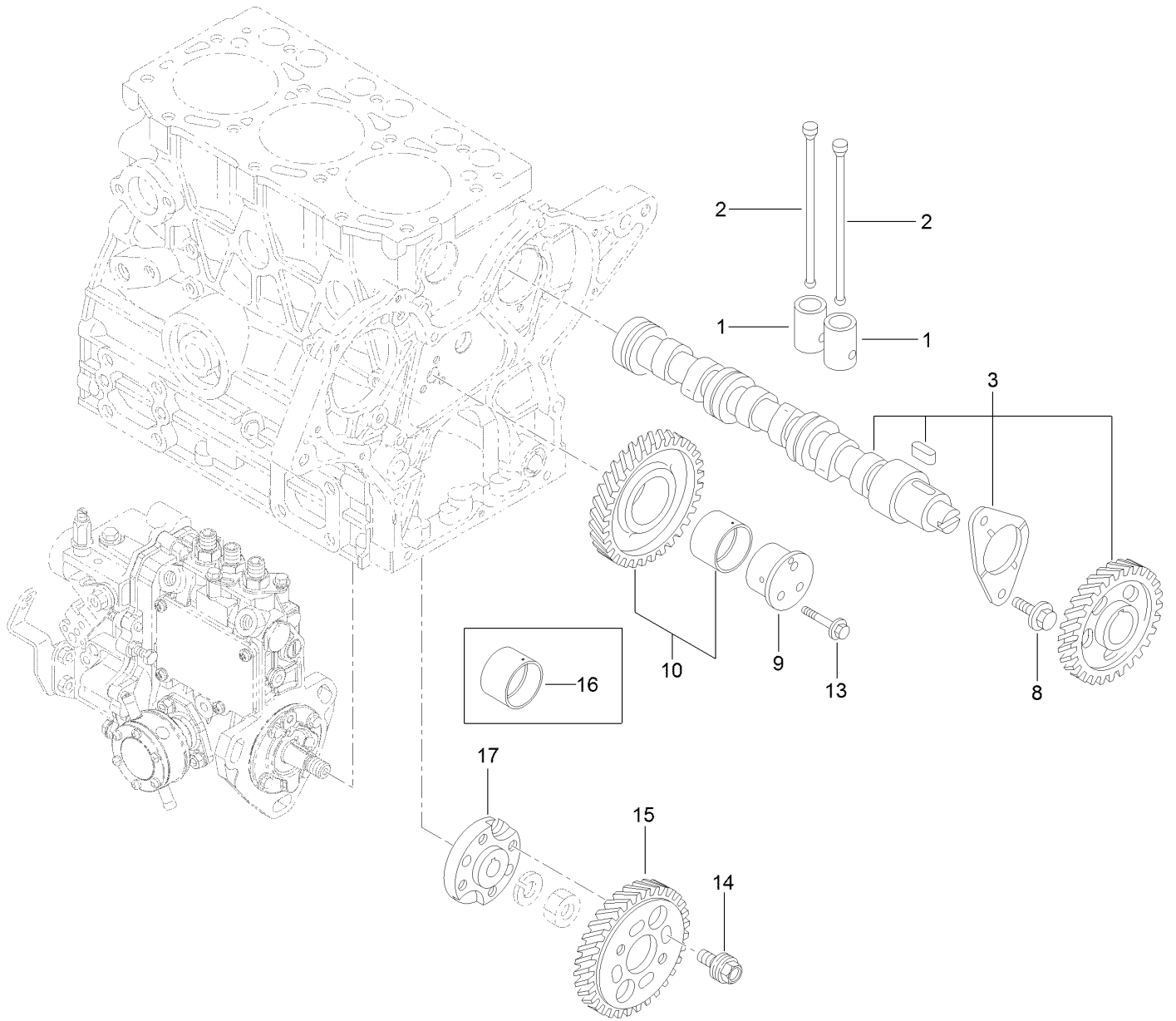
Exhaust Manifold Assembly



Exhaust Manifold Assembly (continued)

<i>Ref.</i>	<i>Part Number</i>	<i>Qty.</i>	<i>Description</i>	<i>Ref.</i>	<i>Part Number</i>	<i>Qty.</i>	<i>Description</i>
1	134-1444	1	Manifold-Exhaust	4	133-6714	4	Bolt
2	135-4107	1	Gasket-Manifold, Exhaust	5	125-6906	4	Stud
3	134-1404	2	Bolt-Stud	6	125-7229	2	Nut

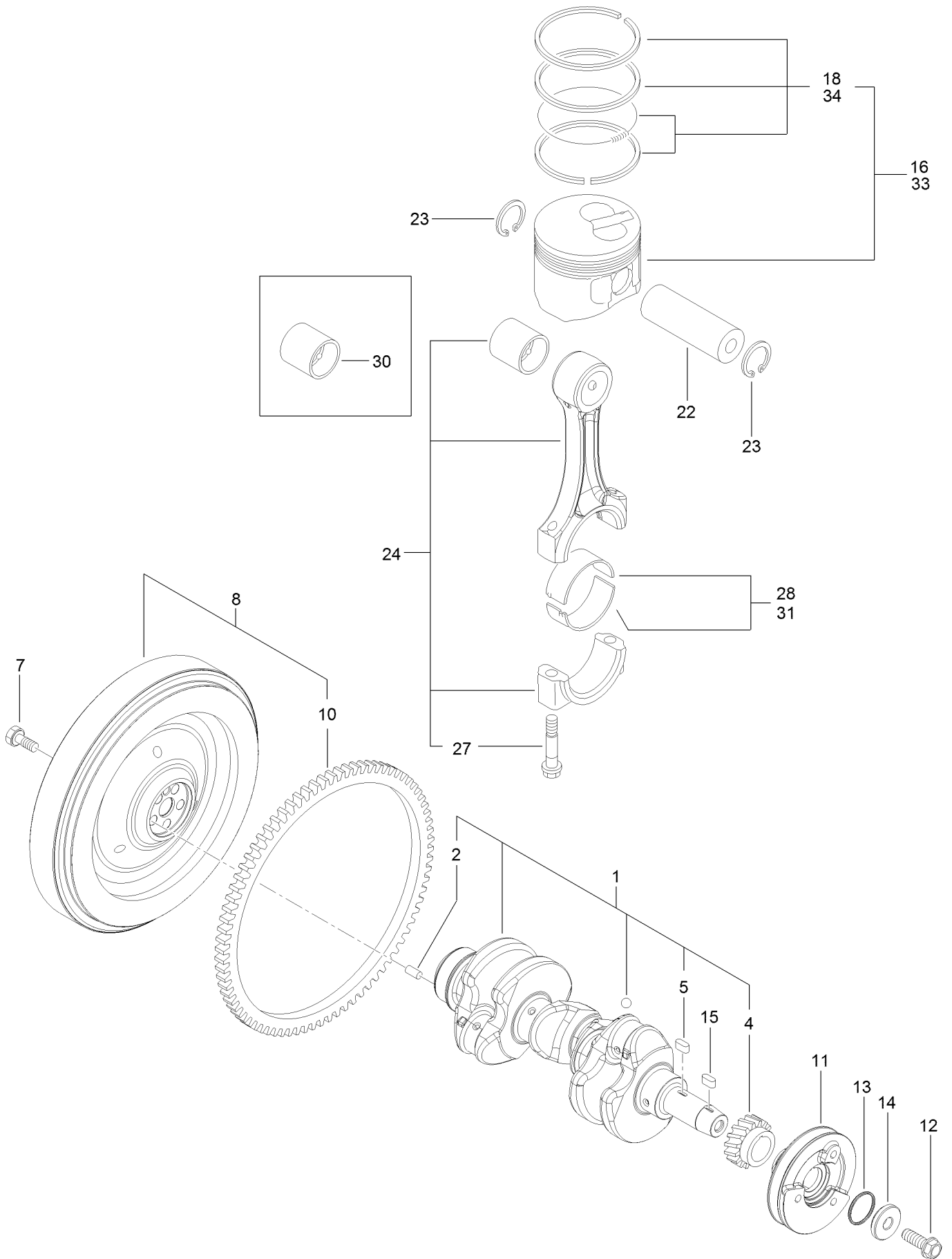
Camshaft and Driving Gear Assembly



Camshaft and Driving Gear Assembly (continued)

<i>Ref.</i>	<i>Part Number</i>	<i>Qty.</i>	<i>Description</i>	<i>Ref.</i>	<i>Part Number</i>	<i>Qty.</i>	<i>Description</i>
1	135-4108	6	Tappet	13	135-4147	3	Bolt
2	135-4109	6	Push-Rod	14	125-7020	4	Bolt
3	135-4110	1	Camshaft ASM	15	135-4148	1	Gear-Pump
8	125-7206	2	Bolt	16	135-4149	1	Bushing-Gear, Idle
9	135-4145	1	Shaft-Idle	17	135-4150	1	Flange
10	135-4146	1	Idle Gear ASM				

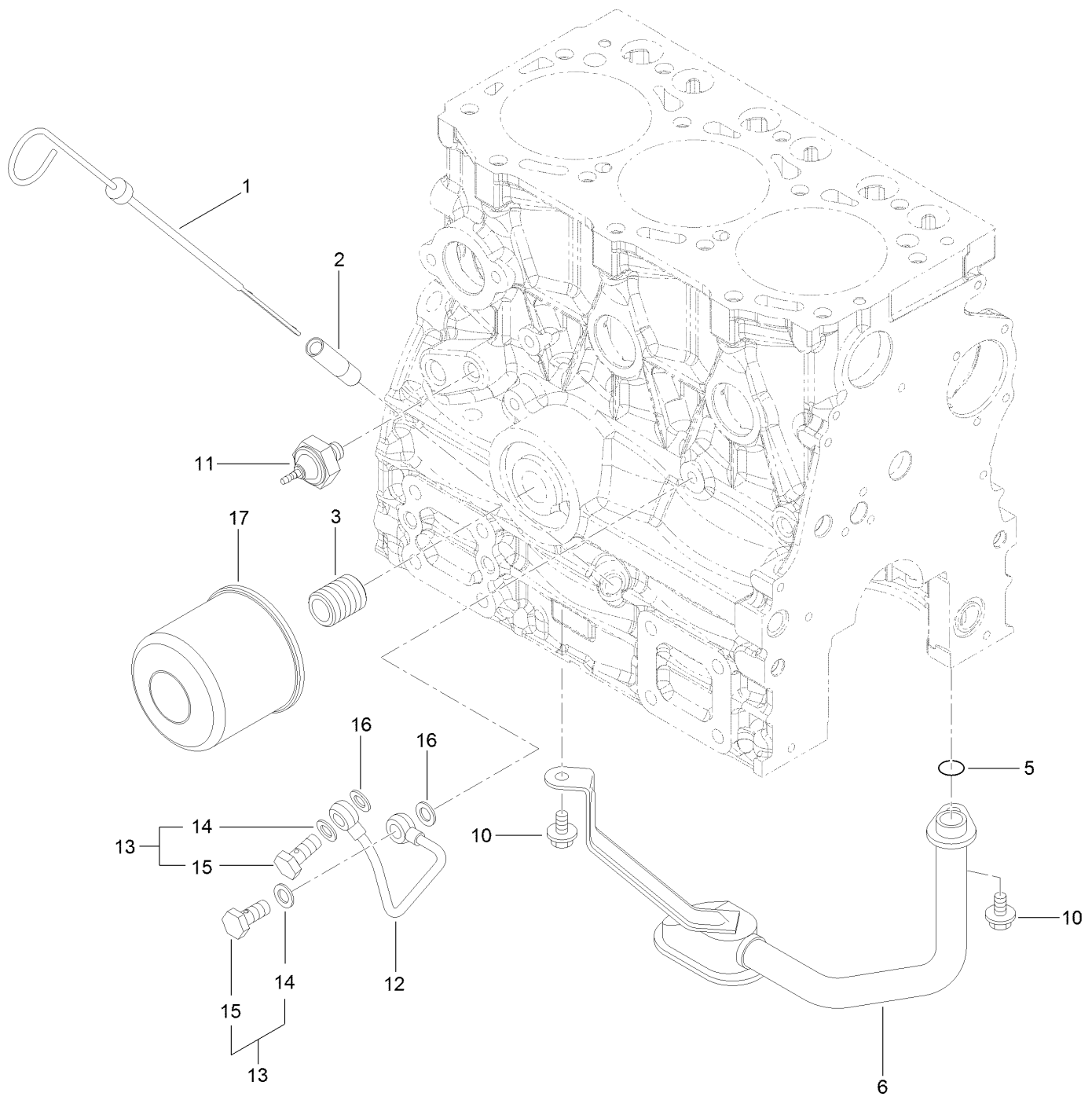
Crankshaft and Piston Assembly



Crankshaft and Piston Assembly (continued)

<i>Ref.</i>	<i>Part Number</i>	<i>Qty.</i>	<i>Description</i>	<i>Ref.</i>	<i>Part Number</i>	<i>Qty.</i>	<i>Description</i>
1	135-4152	1	Crankshaft ASM	16	135-4163	3	Piston ASM
2	125-6995	1	Pin	18	135-4164	3	Ring ASM
4	135-4153	1	Gear-Crankshaft	22	135-4165	3	Pin-Piston
5	135-4154	1	Key	23	135-4166	6	Ring
7	125-6951	5	Bolt	24	134-4005	3	Connecting Rod ASM
8	134-4002	1	Flywheel Assy	27	135-4168	6	Bolt-Rod, Connecting
10	125-6943	1	Gear	28	135-4169	3	Bearing-Pin, Crank
11	134-4003	1	V-Pulley, Crankshaft	30	134-4006	3	Bushing-Pin, Piston
12	135-4159	1	Bolt-Flange	31	135-4171	3	Bearing-Pin (0.25)
13	134-4004	1	Packing-Washer	33	134-4007	3	Piston ASM (0.25 Os)
14	135-4161	1	Washer	34	135-4173	3	Ring ASM
15	135-4154	1	Key				

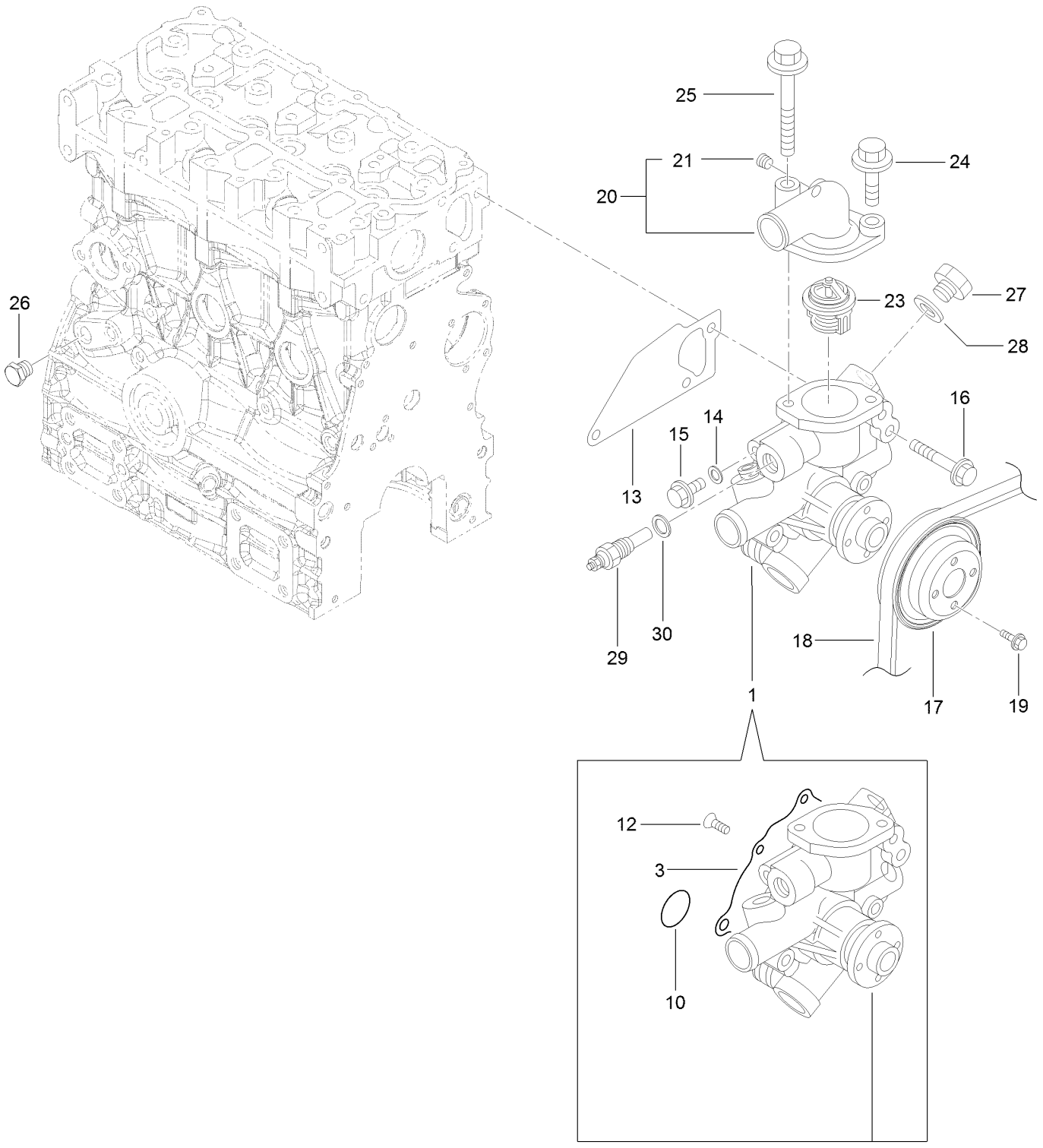
Lubrication and Oil System Assembly



Lubrication and Oil System Assembly (continued)

<i>Ref.</i>	<i>Part Number</i>	<i>Qty.</i>	<i>Description</i>	<i>Ref.</i>	<i>Part Number</i>	<i>Qty.</i>	<i>Description</i>
1	134-1413	1	Dipstick	12	135-4182	1	Pipe-Oil
2	125-6954	1	Guide-Dipstick	13	125-6988	2	Joint Bolt ASM
3	134-4008	1	Stud	14	125-7174	2	Washer-Seal
5	135-4178	1	O-Ring	15	125-7194	2	Bolt-Joint
6	134-1414	1	Oil Inlet Pipe ASM	16	125-7174	2	Washer-Seal
10	125-7205	2	Bolt	17	135-4181	1	Filter-Oil, Engine
11	134-1377	1	Switch-Hydraulic				

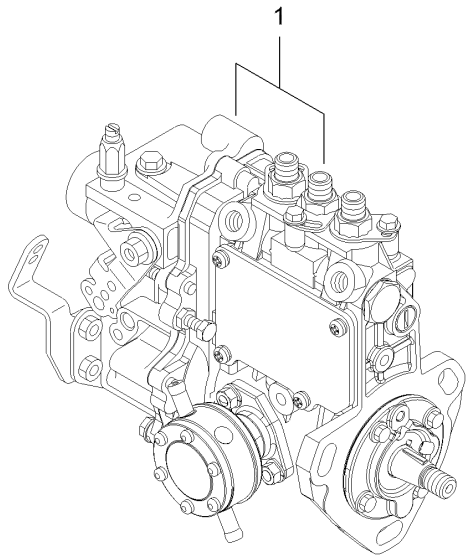
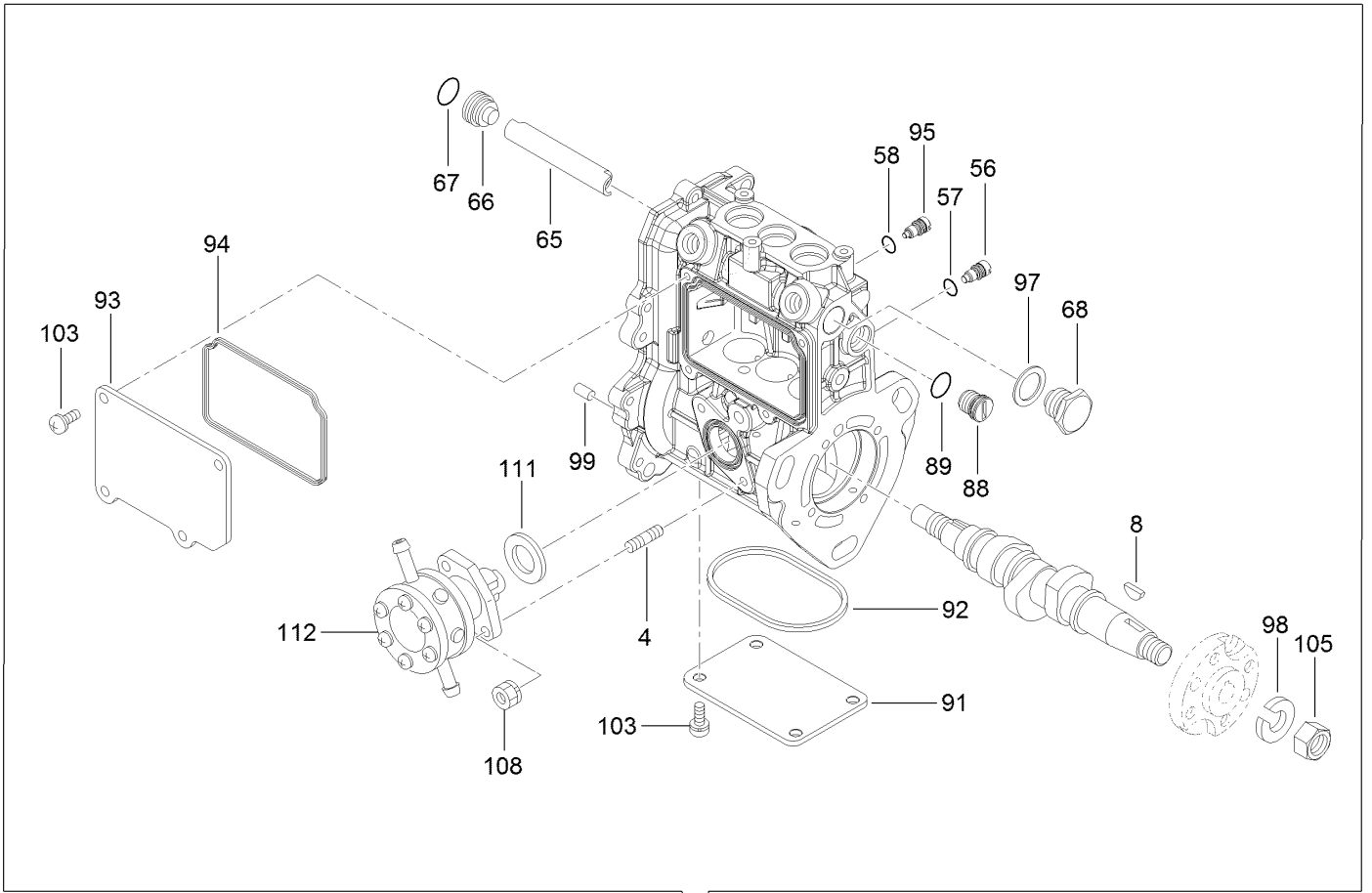
Cooling Water System Assembly



Cooling Water System Assembly (continued)

<i>Ref.</i>	<i>Part Number</i>	<i>Qty.</i>	<i>Description</i>	<i>Ref.</i>	<i>Part Number</i>	<i>Qty.</i>	<i>Description</i>
1	134-4009	1	CW Pump ASM	20	134-1390	1	Cover ASM
3	135-4188	1	Gasket	21	134-1381	1	Plug
10	135-4190	1	O-Ring	23	135-4200	1	Thermostat
12	133-2504	4	Screw	24	125-7215	1	Bolt
13	135-4193	1	Gasket-Pump, Water	25	135-4202	1	Bolt
14	125-7192	1	Gasket	26	125-7171	1	Plug-Drain
15	125-7212	1	Bolt	27	125-6953	1	Plug
16	125-7220	3	Bolt	28	125-6979	1	Gasket
17	134-1417	1	V-Pulley	29	134-3128	1	Sensor-Temperature
18	134-1455	1	V-Belt	30	134-4010	1	Gasket
19	125-7206	4	Bolt				

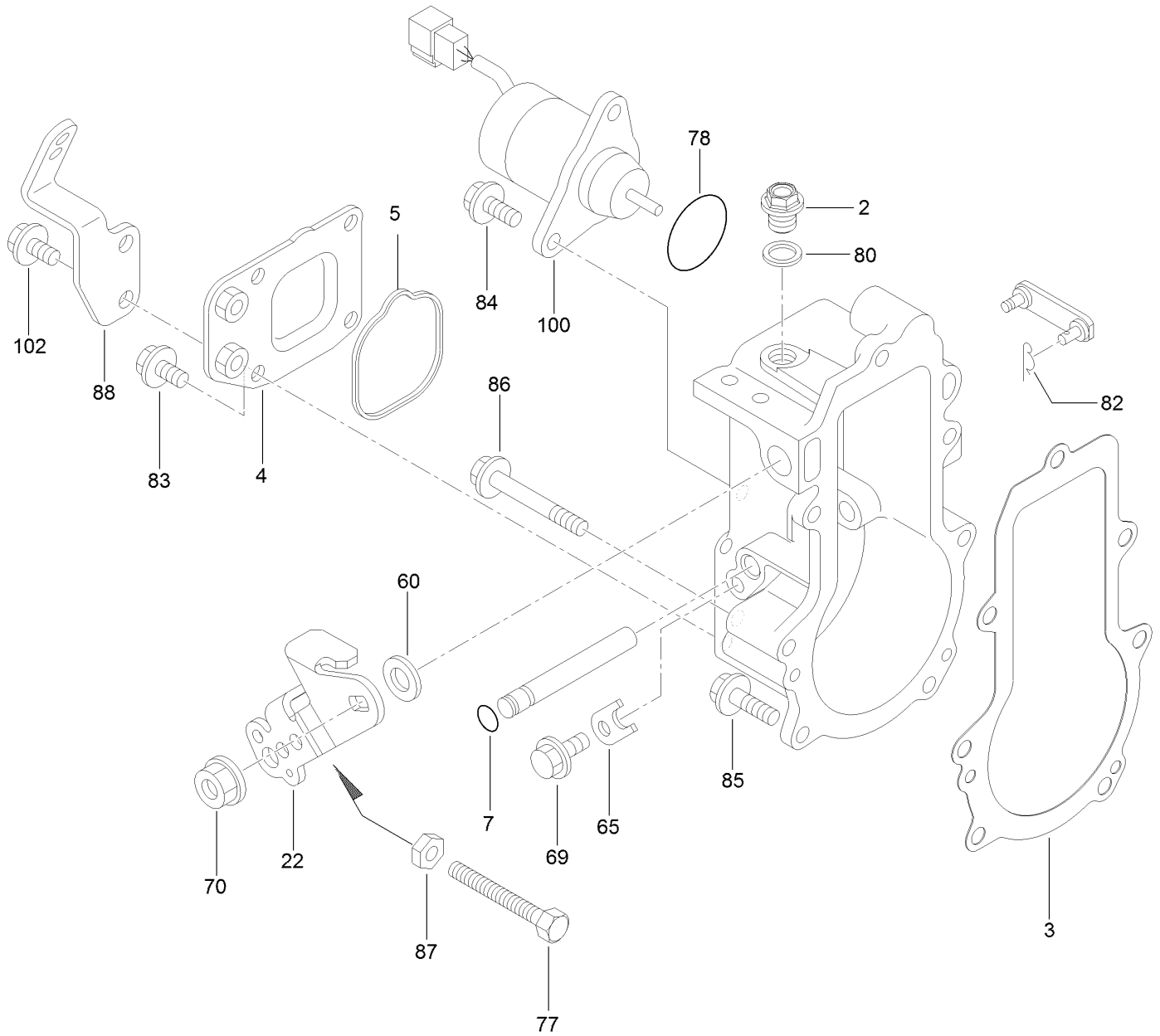
Fuel Injection Pump Assembly



Fuel Injection Pump Assembly (continued)

<i>Ref.</i>	<i>Part Number</i>	<i>Qty.</i>	<i>Description</i>	<i>Ref.</i>	<i>Part Number</i>	<i>Qty.</i>	<i>Description</i>
1	134-4011	1	Fie Assy	92	135-4216	1	Gasket
4	135-4205	2	Bolt-Stud	93	135-4217	1	Cover
8	135-4206	1	Key-Feather, Woodruff	94	135-4218	1	Gasket
56	125-7156	3	Stopper	95	135-4219	1	Stopper-Rack
57	135-4207	3	O-Ring	97	136-8236	1	Washer-Seal
58	135-4207	1	O-Ring	98	135-4220	1	Washer-Spring
65	135-4209	1	Deflector	99	125-7183	2	Pin-Spring
66	135-4210	1	Plug-Deflector	103	135-4221	8	Screw
67	135-4211	1	O-Ring	105	133-2506	1	Nut
68	135-4212	1	Plug-Deflector	108	135-4222	2	Nut
88	135-4213	1	Plug-Rack	111	135-4223	1	Gasket
89	135-4214	1	O-Ring	112	134-1470	1	Fuel Feed Pump ASM
91	135-4215	1	Cover				

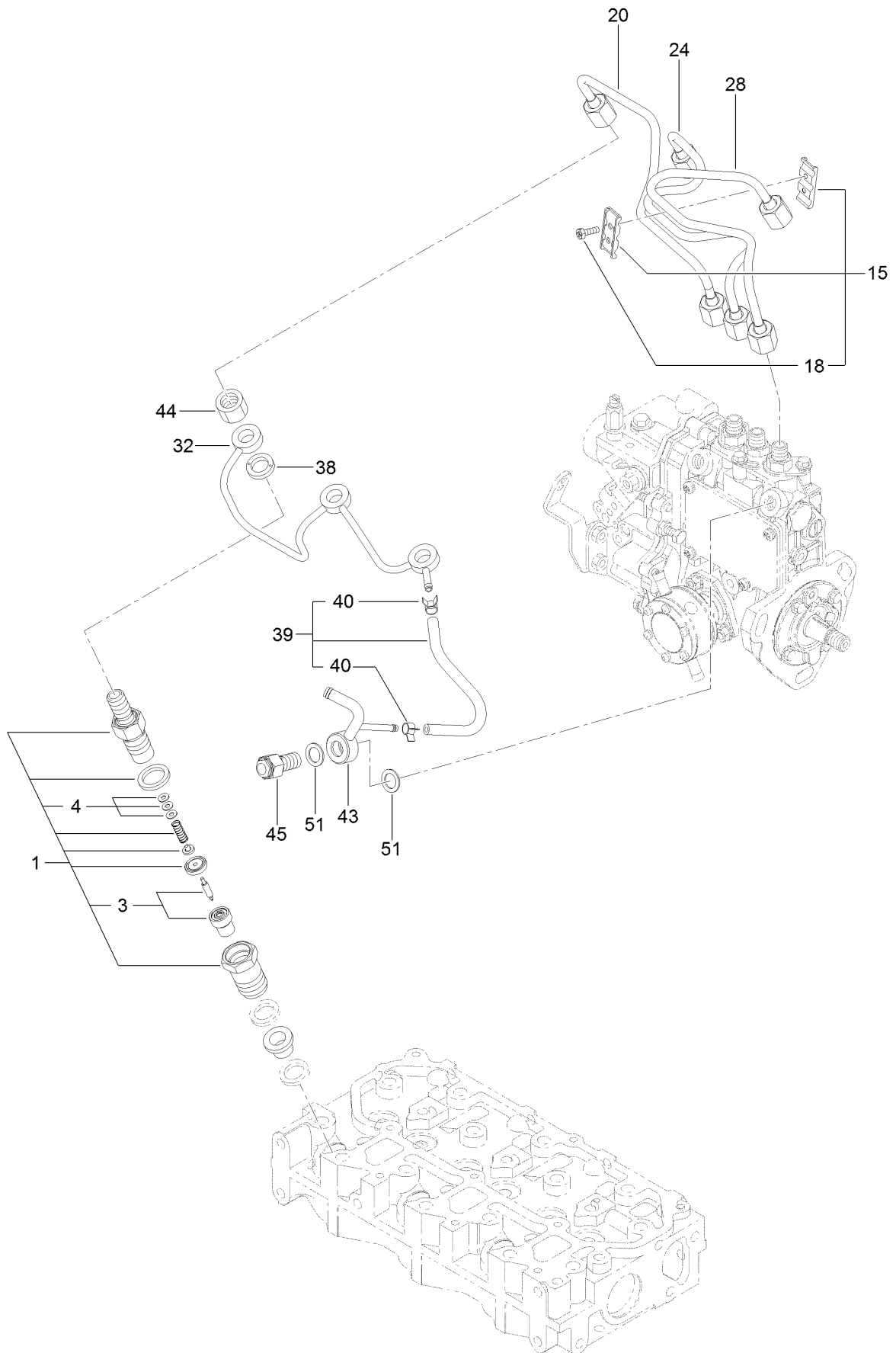
Governor Assembly



Governor Assembly (continued)

<i>Ref.</i>	<i>Part Number</i>	<i>Qty.</i>	<i>Description</i>	<i>Ref.</i>	<i>Part Number</i>	<i>Qty.</i>	<i>Description</i>
2	135-4226	1	Plug	78	134-1520	1	O-Ring
3	135-4227	1	Gasket	80	125-7175	1	Washer-Seal
4	134-1449	1	Cover-Case, Governor	82	134-1529	1	Pin
5	134-1435	1	Gasket	83	125-7205	4	Bolt
7	135-4207	1	O-Ring	84	125-7207	2	Bolt
22	134-1385	1	Lever-Control	85	125-7209	4	Bolt
60	134-1518	1	Shim Set	86	136-8256	3	Bolt
65	134-1395	1	Stopper-Shaft	87	134-4014	1	Nut
69	125-7205	1	Bolt	88	134-1450	1	Support-Wire
70	134-4012	1	Nut-M8	100	134-4015	1	Solenoid, Stop
77	134-4013	1	Bolt-Limit, Idle	102	125-7205	2	Bolt

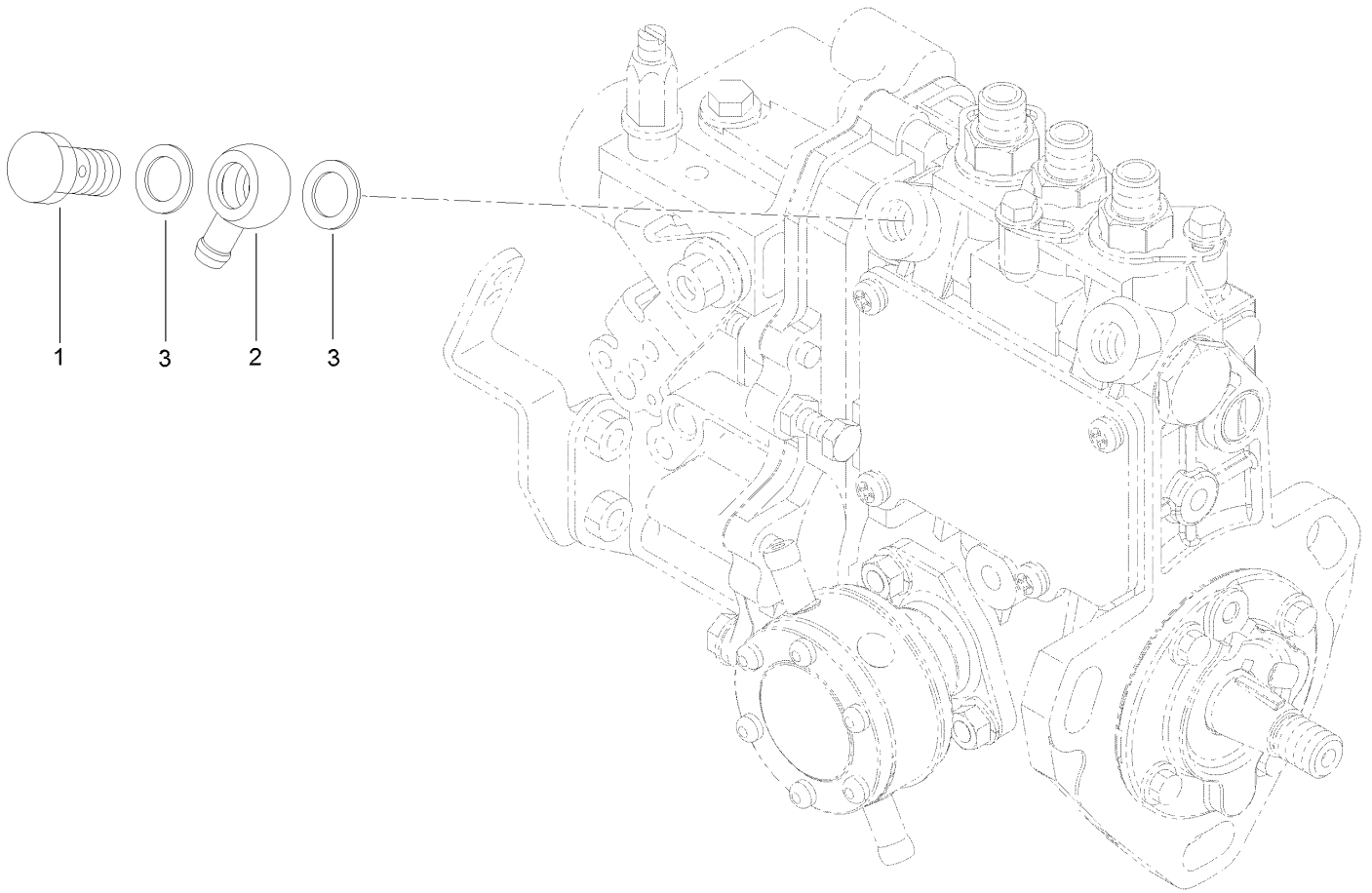
Fuel Injection Valve Assembly



Fuel Injection Valve Assembly (continued)

<i>Ref.</i>	<i>Part Number</i>	<i>Qty.</i>	<i>Description</i>	<i>Ref.</i>	<i>Part Number</i>	<i>Qty.</i>	<i>Description</i>
1	135-4229	3	Nozzle ASM	32	134-1431	1	Return Pipe ASM
3	135-4230	3	Nozzle ASM	38	135-4237	3	Gasket
4	135-4231	3	Adjusting Shim Set	39	135-4238	1	Hose ASM
15	134-1488	1	Retainer-Pipe	40	136-8225	2	Clamp-Hose
18	125-7027	2	Bolt	43	134-1384	1	Joint-Overflow
20	135-4233	1	Pipe ASM (Inj No1)	44	135-4240	3	Nut-Nozzle
24	135-4234	1	Pipe ASM (Inj No2)	45	135-4241	1	Check Valve ASM
28	135-4235	1	Pipe ASM (Inj No3)	51	125-7176	2	Washer-Seal

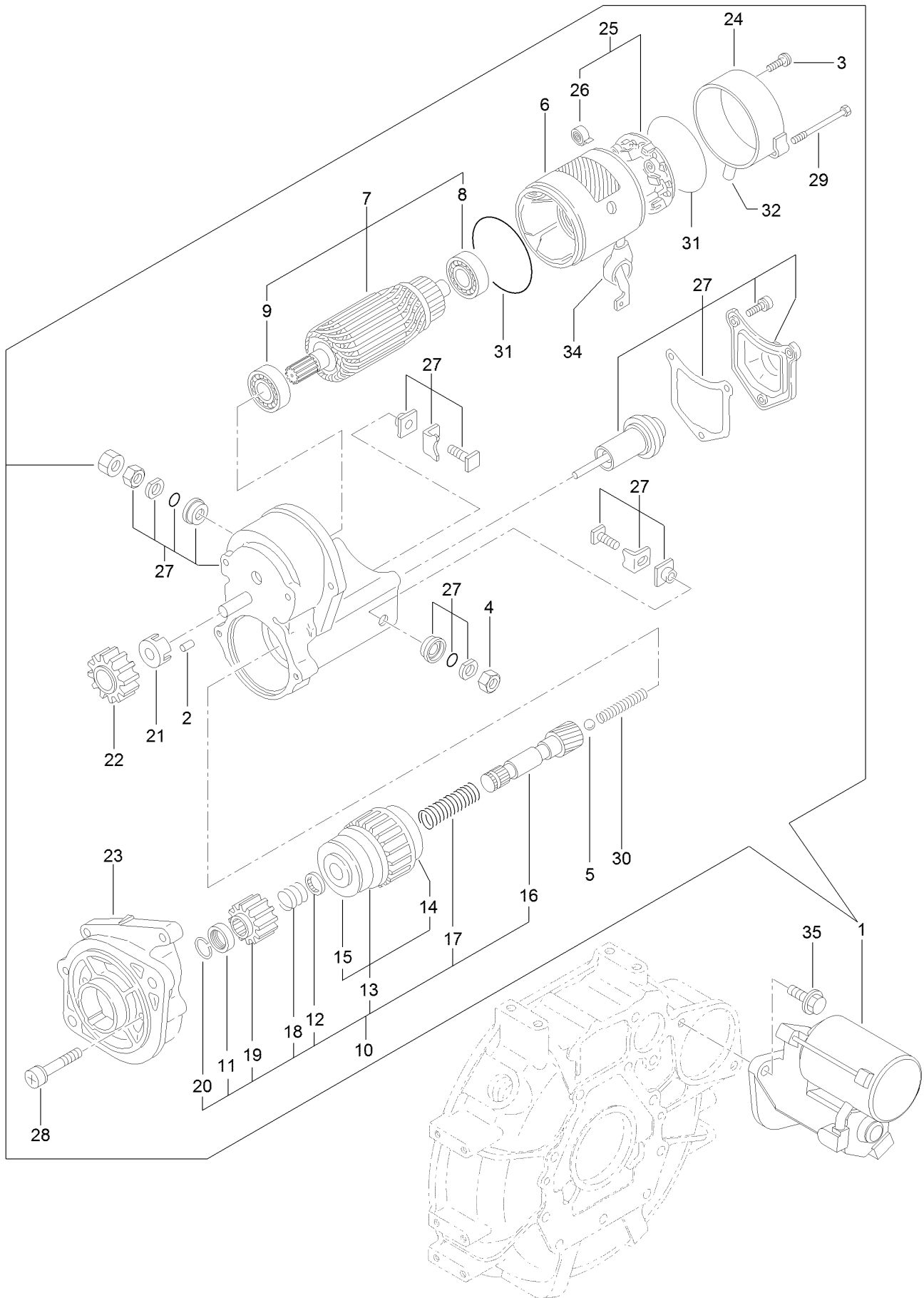
Fuel Pipe Assembly



Fuel Pipe Assembly (continued)

<i>Ref.</i>	<i>Part Number</i>	<i>Qty.</i>	<i>Description</i>
1	135-4242	1	Bolt-Joint, Pipe
2	135-4243	1	Joint-Pipe
3	125-7176	2	Washer-Seal

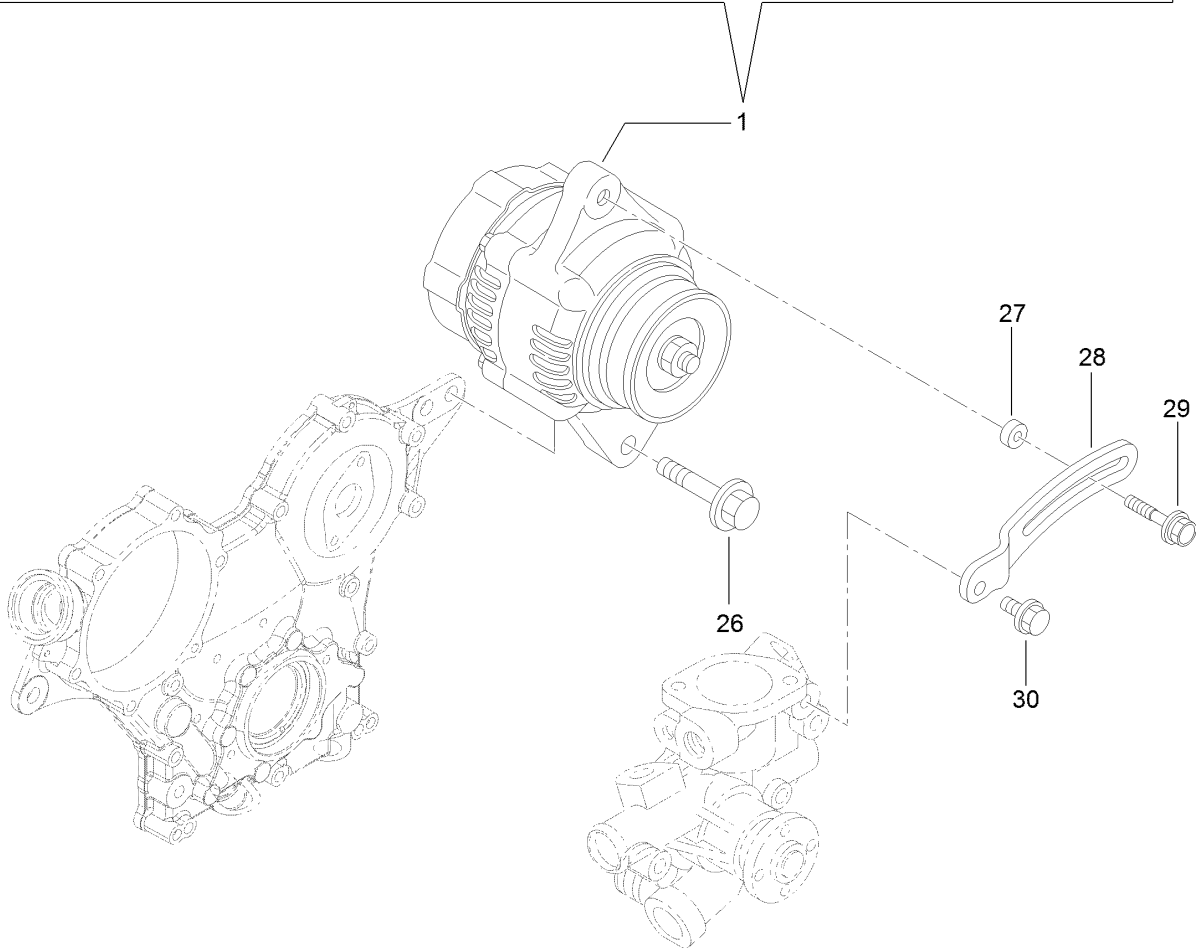
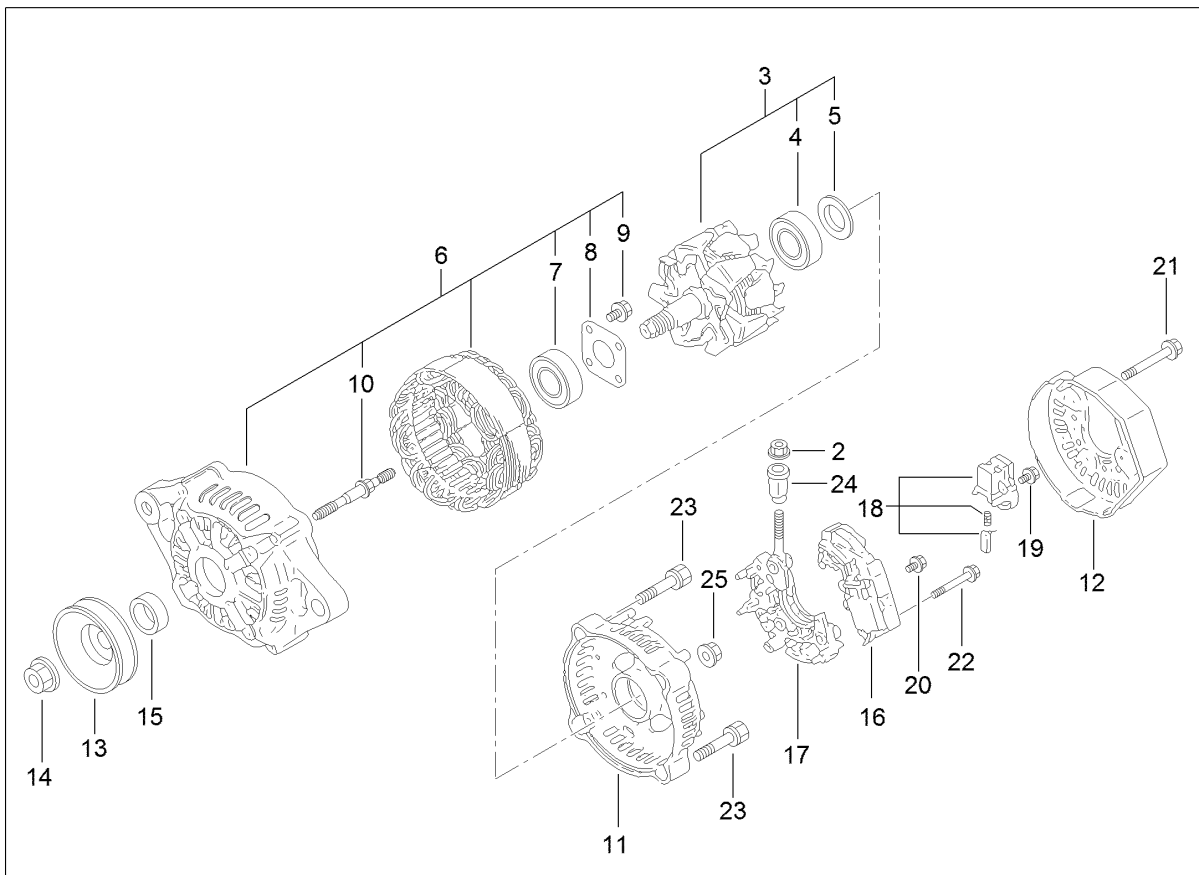
Starter Motor Assembly



Starter Motor Assembly (continued)

<i>Ref.</i>	<i>Part Number</i>	<i>Qty.</i>	<i>Description</i>	<i>Ref.</i>	<i>Part Number</i>	<i>Qty.</i>	<i>Description</i>
1	134-1448	1	Starter	18	134-1515	1	Spring
2	134-1546	5	Roller	19	134-1548	1	Pinion-Starter
3	134-1487	2	Screw	20	134-1484	1	Ring-Snap
4	134-1552	1	Nut	21	134-1474	1	Retainer
5	134-1553	1	Ball-Steel	22	134-1475	1	Pinion
6	134-1510	1	Yoke ASM	23	134-1551	1	Housing
7	134-1511	1	Armature ASM	24	134-1512	1	Cover
8	134-1472	1	Bearing-Ball	25	134-1513	1	Holder ASM
9	134-1473	1	Bearing-Ball	26	134-1554	4	Spring
10	134-1549	1	Starter Kit	27	134-1550	1	Switch ASM
11	134-1545	1	Nut	28	134-1476	2	Bolt
12	134-1547	1	Retainer	29	134-1514	2	Bolt
13	134-1481	1	Clutch ASM	30	134-1477	1	Spring
14	134-1485	1	Bearing-Ball	31	134-1478	2	O-Ring
15	134-1486	1	Bearing-Ball	32	134-1479	1	Cover
16	134-1482	1	Shaft-Starter	34	134-1480	1	Cap
17	134-1483	1	Spring	35	133-2496	2	Bolt

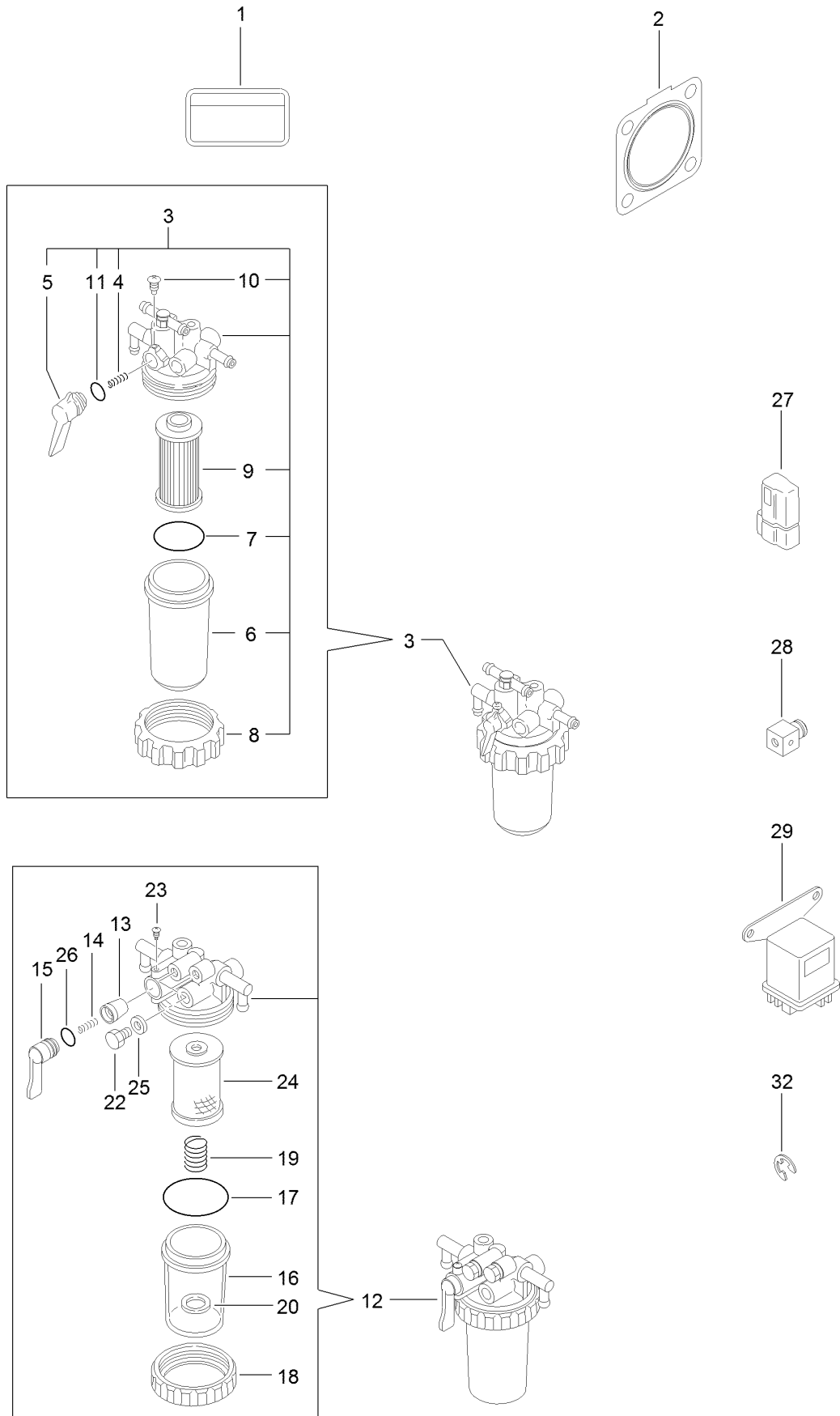
Generator Assembly



Generator Assembly (continued)

<i>Ref.</i>	<i>Part Number</i>	<i>Qty.</i>	<i>Description</i>	<i>Ref.</i>	<i>Part Number</i>	<i>Qty.</i>	<i>Description</i>
1	134-4016	1	Alternator, 12V-55A	16	134-4018	1	Regulator ASM
2	127-3190	1	Nut	17	127-3848	1	Holder
3	127-3843	1	Rotor ASM	18	127-2993	1	Holder
4	127-2983	1	Bearing-Ball	19	127-2965	6	Screw
5	127-2962	1	Cover	20	127-2966	1	Screw
6	135-4025	1	Frame ASM	21	127-2967	3	Bolt
7	127-2958	1	Bearing-Ball	22	127-2968	2	Screw
8	127-2959	1	Plate-Retainer	23	127-2969	2	Bolt
9	127-2960	4	Screw	24	127-2970	1	Bushing-Insulation
10	127-2961	2	Stud	25	127-2971	2	Nut
11	127-3845	1	Frame	26	135-4277	1	Bolt
12	134-4017	1	Cover, End	27	125-6947	1	Spacer
13	127-2954	1	Pulley	28	135-4279	1	Adjuster-Belt
14	127-2955	1	Nut	29	125-7134	1	Bolt
15	127-2957	1	Collar	30	125-7595	1	Bolt

Accessory Assembly



Accessory Assembly (continued)

<i>Ref.</i>	<i>Part Number</i>	<i>Qty.</i>	<i>Description</i>	<i>Ref.</i>	<i>Part Number</i>	<i>Qty.</i>	<i>Description</i>
1	125-6900	1	Label-Caution, Fuel Oil	16	134-1462	1	Cup-Strainer, Fuel
2	134-1383	1	Gasket-Silencer	17	134-1371	1	O-Ring
3	134-1447	1	Fuel Filter ASM	18	134-1376	1	Ring-Retaining, Cup
4	134-1373	1	Spring-Valve, Fuel	19	134-1555	1	Spring
5	134-1454	1	Lever-Fuel	20	134-1461	1	Float
6	134-1459	1	Cup-Strainer, Fuel	22	134-1370	2	Plug-Hex
7	134-1371	1	O-Ring	23	134-1375	1	Screw-Pan
8	134-1376	1	Ring-Retaining, Cup	24	134-1524	1	Filter-Fuel
9	134-3085	1	Element-Filter, Fuel	25	134-1531	2	Gasket
10	134-1375	1	Screw-Pan	26	134-1535	1	O-Ring
11	134-1535	1	O-Ring	27	134-1393	1	Diode
12	134-3086	1	Water Separator ASM	28	134-1465	1	Retainer
13	134-1372	1	Valve-Taper	29	134-1394	1	Glow Relay ASM
14	134-1373	1	Spring-Valve, Fuel	32	134-1528	1	Ring
15	134-1374	1	Handle, Cock				

Attachments and Accessories

For 31051 ProLine H800 Rotary Mower

Product Name	Model/Part
Slope Sensor Kit.....	02950
TÜV 15 KPH Speed Decal Kit.....	02969
TÜV 25 KPH Speed Decal Kit.....	02990
Mulching Kit.....	134-1718
Arm Rest Kit.....	134-3594
Debris Suppression Kit.....	134-4690

Notes:



Count on it.