



**Count on it.**

**Parts Catalog**

**Titan® 60in Zero Turn  
Riding Mower**

Model No. 76605—Serial No. 400000000 and Up



# Ordering Replacement Parts

To order replacement parts, please supply the part number, the quantity, and the description of each part desired.

## Understanding Reference Numbers

Each identified part in an illustration has a reference number. The reference number for a part also appears in the parts list, along with other information about the part.

This catalog uses two special reference number formats, one to indicate parts in a service assembly and another to indicate the quantity of a given part in an illustration.

## Service Assembly Reference Numbers

Parts in service assemblies have reference numbers in the form a:b. The a represents the reference number of the entire service assembly and the b represents a sequential number unique to each part within the service assembly.

For example, a wheel assembly might be identified by reference number 6, the tire by 6:1, the valve by 6:2, and the wheel by 6:3. When you order the assembly identified by reference number 6, you receive all parts identified by reference numbers 6:1, 6:2, and 6:3. However, you may also order any part individually. Reference numbers of this type appear in illustration and in parts lists.

## Reference Numbers Indicating Quantity

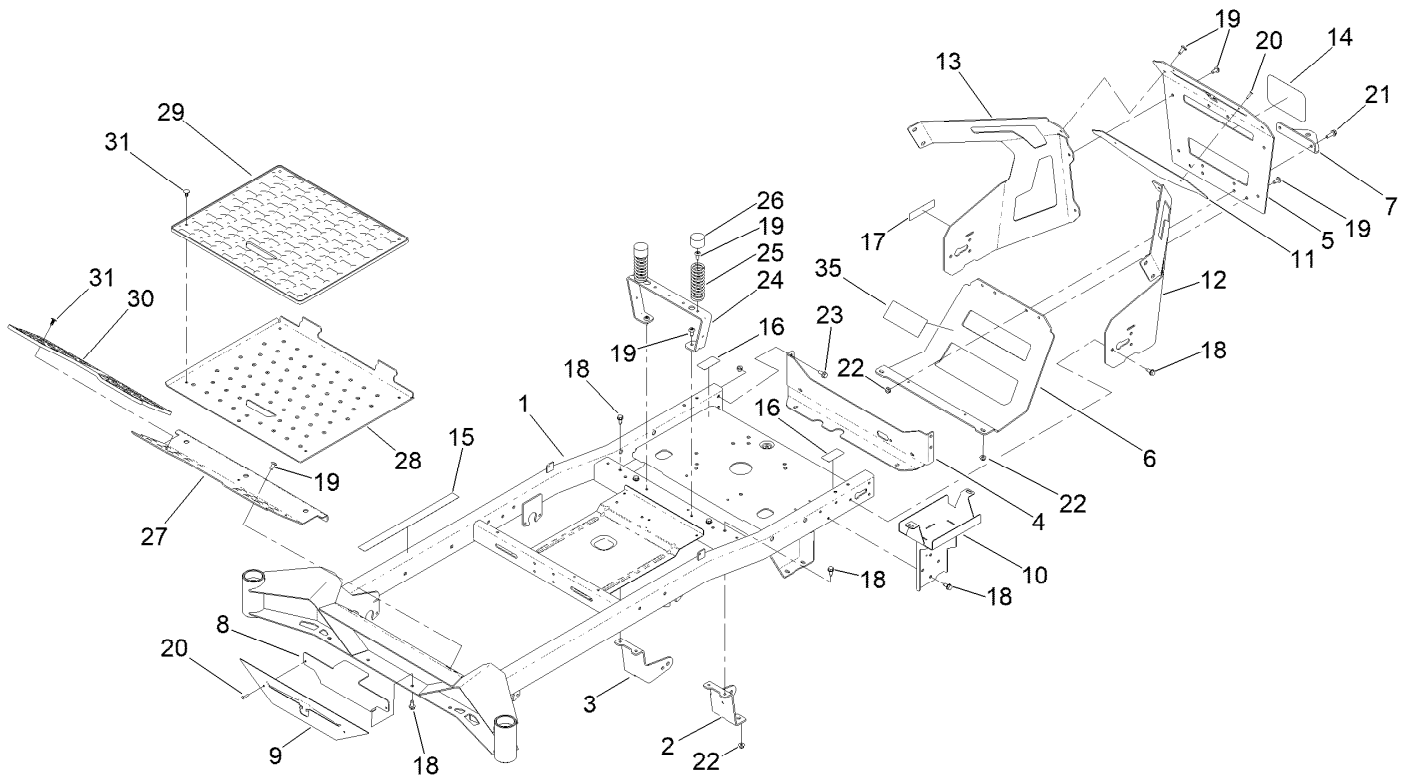
In an illustration, if a reference number indicates more than one part, the reference number has the form nX y. The n represents the quantity of the part, the X is the multiplication symbol, and the y represents the reference number.

For example, in an illustration, the reference number 2X 37 means that two of the parts identified by reference number 37 are indicated.

# Contents

Frame Assembly.....	4
Decklift Assembly.....	6
Caster Fork and Wheel Assembly.....	8
Hydraulic Drive Assembly.....	10
LH Hydro Transmission Assembly No. 147-2860.....	12
RH Hydro Transmission Assembly No. 147-2861.....	14
Parking Brake Assembly.....	16
Rear Wheel Assembly.....	18
Seat Mounting Assembly.....	20
Control Assembly.....	22
Engine and Muffler Assembly.....	24
Fuel Pod Assembly.....	26
Fuel Tank Assembly No. 147-5288.....	28
Electrical Assembly.....	30
60in Deck and Decal Assembly.....	32
Deck Decal Assembly No. 147-8751.....	34
Clutch Assembly.....	36
Attachments and Accessories.....	38

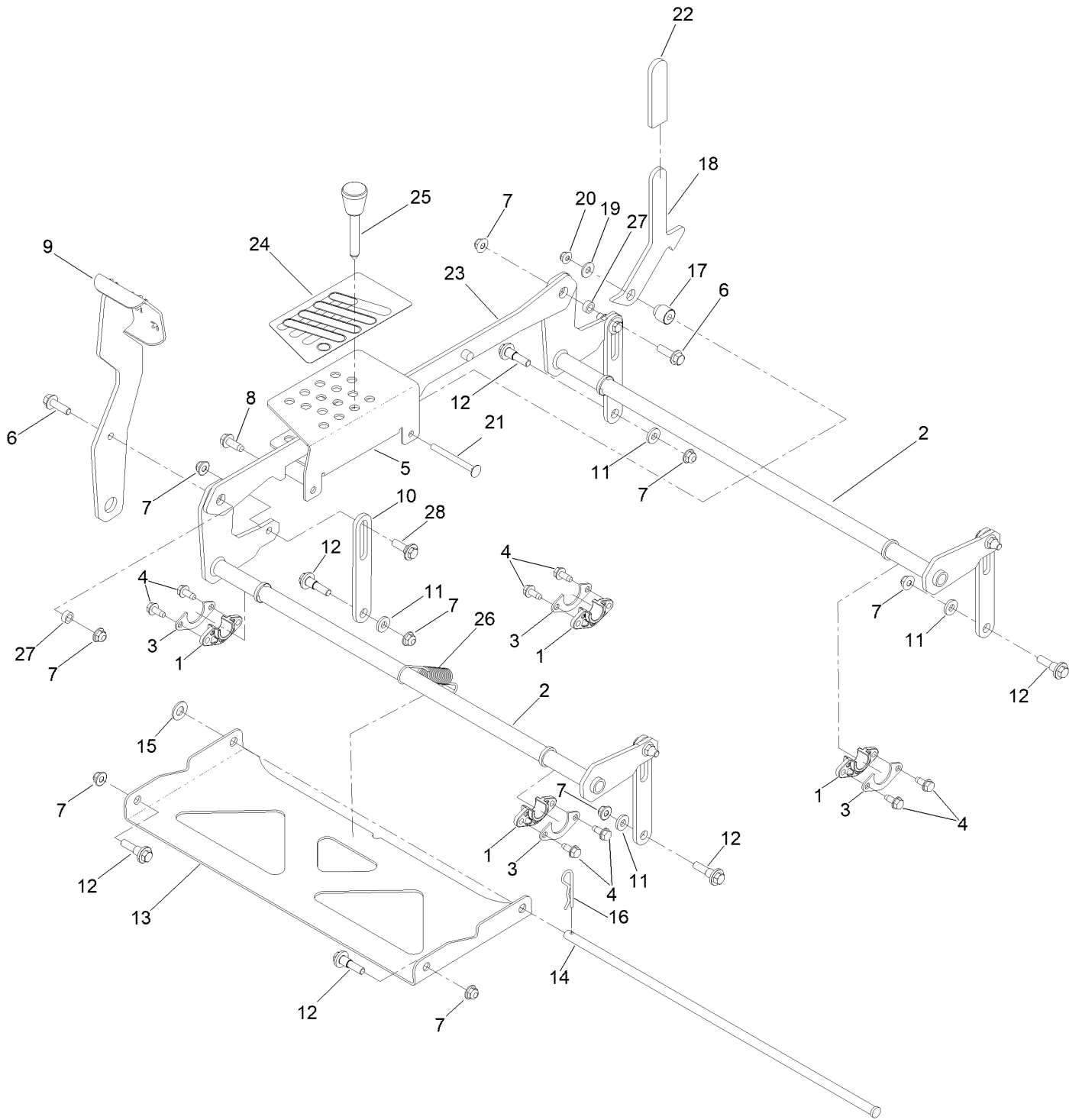
# Frame Assembly



## Frame Assembly (continued)

<i>Ref.</i>	<i>Part Number</i>	<i>Qty.</i>	<i>Description</i>	<i>Ref.</i>	<i>Part Number</i>	<i>Qty.</i>	<i>Description</i>
1	147-8725	1	Service ASM-Frame, Titan	17	142-5864	1	Decal-Spark Arrester
2	145-6306-01	1	Mount-Drive, LH	18	32144-70	15	Screw-HWHTF
3	145-6307-01	1	Mount-Drive, RH	19	138-9753	14	Screw
4	147-8709-03	1	Plate-Mount	20	130-8451	4	Rivet-Trifold
5	147-2998-03	1	Guard-Engine	21	139-2596	2	Screw-HHF
6	147-3000-03	1	Guard-Muffler	22	119-4041	12	Nut-HF
7	117-1232-03	1	Bracket-Hitch	23	139-2598	4	Screw-HHF
8	147-2878-01	1	Plate-Backer	24	145-6316-01	1	Support-Seat
9	147-2879-03	1	Logo-Plate-Front	25	138-2548	2	Spring-Compression
10	145-6283-01	1	Wa-Battery Mount	26	701178	2	Cap-Protector
11	147-2999-01	1	Plate-Backer	27	145-6369-01	1	Pan-Floor
12	147-2996-01	1	Guard-Engine LH	28	145-6370-01	1	Pan-Floor
13	147-2997-01	1	Guard-Engine-RH	29	147-7609	1	Floor Mat
14	99-4693	1	Decal	30	147-7611	1	Floor Mat - Titan
15	144-5288	1	Decal-Warning	31	117-2382	8	Plug-Plastic
16	161-6207	2	Decal-Bypass	35	161-6260	1	Tape-Heat

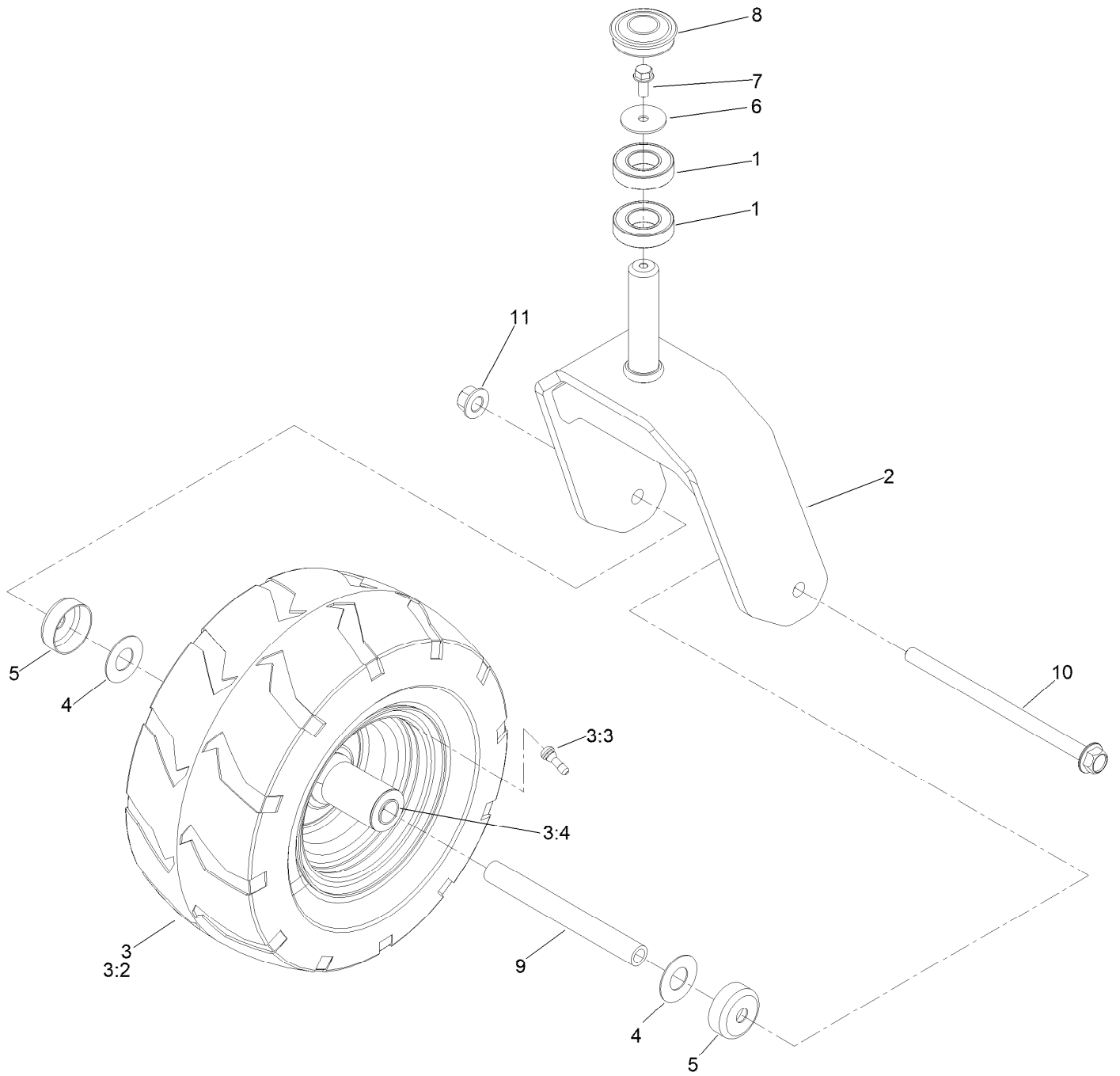
# Decklift Assembly



## Decklift Assembly (continued)

<i>Ref.</i>	<i>Part Number</i>	<i>Qty.</i>	<i>Description</i>	<i>Ref.</i>	<i>Part Number</i>	<i>Qty.</i>	<i>Description</i>
1	139-5872	4	Bearing-Flange	15	139-2611	1	Washer-Flat
2	161-4632-01	2	Pivot ASM-Decklift [red]	16	139-2562	1	Pin-Hair
3	138-7204	4	Gusset-Deck Lift	17	145-6282	1	Spacer-Stepped
4	32144-70	8	Screw-HWHTF	18	145-6279	1	Plate-Transport Lock
5	145-6260-01	1	Bracket-HOC	19	137-3082	1	Washer-Plain
6	119-4061	2	Screw-HHF	20	119-4041	1	Nut-HF
7	119-4042	12	Nut-HF, NI	21	138-0741	1	Screw-CARR
8	139-2428	1	Screw-HWH	22	140-0413	1	Grip-Handle
9	145-6278-01	1	Pedal ASM [red]	23	145-6262-01	1	Link ASM-HOC [red]
10	161-4635-01	4	Link-HOC	24	147-2867	1	Decal-HOC, Titan
11	138-7207	4	Spacer-Hub, Blower	25	140-2146	1	HOC Pin ASM
12	130-0742	6	Bolt-Shoulder	26	138-7206	1	Spring-Extension
13	145-6248-03	1	Pan-Deck Pivot	27	140-2093	2	Spacer
14	145-6288	1	Pin-Deck	28	610646	4	Bolt-Shoulder

# Caster Fork and Wheel Assembly

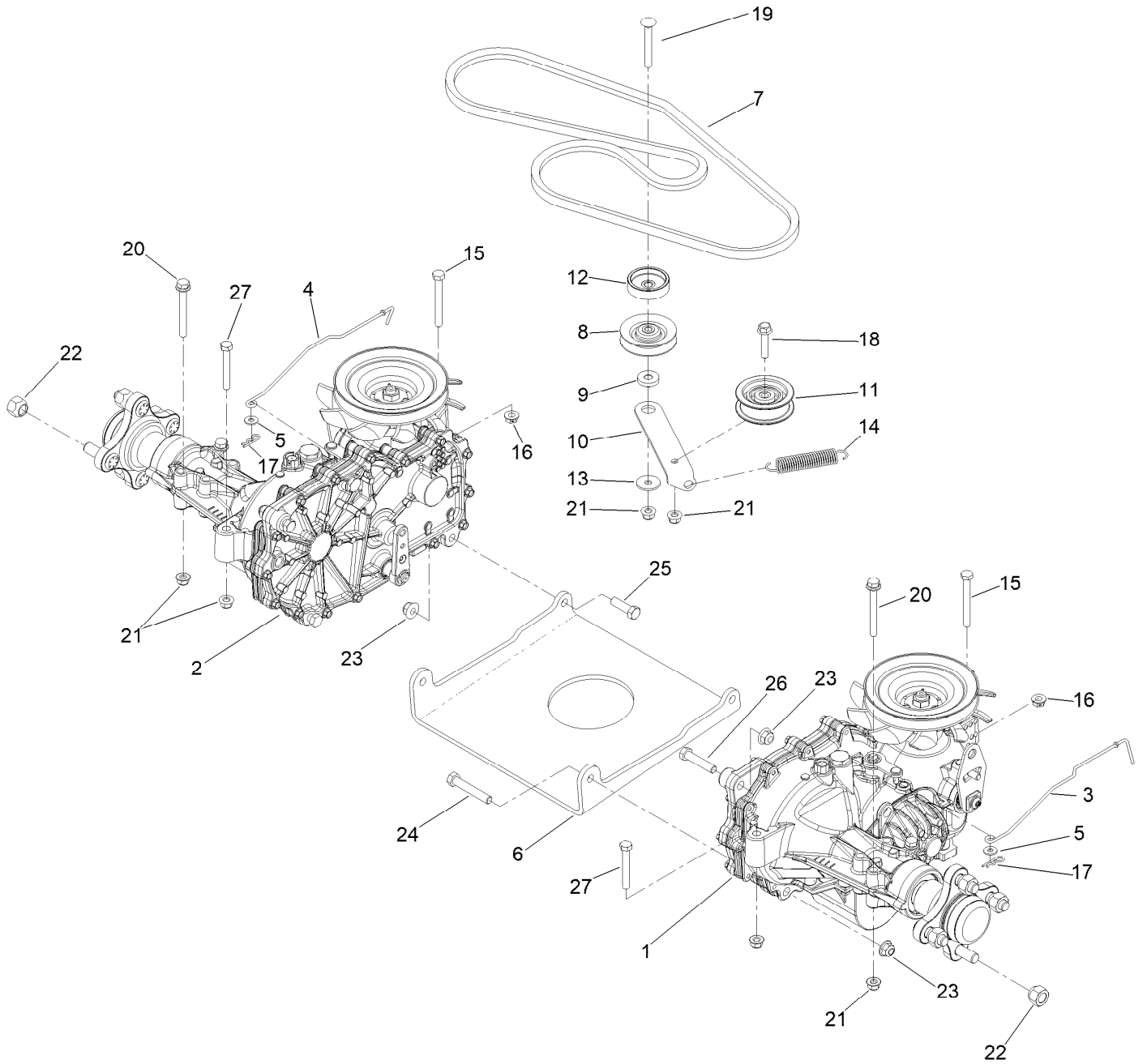




## Caster Fork and Wheel Assembly (continued)

<i>Ref.</i>	<i>Part Number</i>	<i>Qty.</i>	<i>Description</i>	<i>Ref.</i>	<i>Part Number</i>	<i>Qty.</i>	<i>Description</i>
1	109-3678	4	Bearing-Ball	5	138-7208	4	Guard-Seal
2	145-6375-01	2	Castor Fork [red]	6	115-1151	2	Washer-Flat
3	147-7647	2	Tire And Wheel ASM	7	139-2598	2	Screw-HHF
3:2	147-7648	1	Tire 13X6.5-6, Treaded	8	144-0375	2	Cap, Grease
3:3	232-27	1	Stem-Valve	9	133-4487	2	Spanner-Wheel
3:4	147-7652	2	Bearing	10	139-2559	2	Screw-HHF
4	136-5590	4	Washer	11	139-1689	2	Nut-HF

# Hydraulic Drive Assembly



## Hydraulic Drive Assembly (continued)

<i>Ref.</i>	<i>Part Number</i>	<i>Qty.</i>	<i>Description</i>	<i>Ref.</i>	<i>Part Number</i>	<i>Qty.</i>	<i>Description</i>
1	147-2860	1	LH Hydro Transmission ASM	14	137-7040	1	Spring-Return, Pedal
2	147-2861	1	RH Hydro Transmission ASM	15	145-6388	2	Screw-HH Spcl
3	147-2987	1	Rod-Bypass, LH	16	139-2574	2	Nut-HF
4	147-2986	1	Rod-Bypass, RH	17	3290-307	2	Pin-Cotter
5	119-8952	2	Washer-Spcl	18	115-1794	1	Screw-HHF
6	145-6383-03	1	Plate-Hydro	19	3230-8	1	Screw-CARR
7	145-6363	1	V-Belt (A Sec 66.30 EI)	20	138-7590	4	Screw-HHF
8	68-0030	1	Idler	21	104-8300	8	Nut-HF, NI
9	138-7277	1	Spacer-Arm, Idler	22	242-50	8	Nut-Lug
10	147-2925	1	Arm-Idler	23	104-8301	6	Nut-HF, NI
11	138-7597	1	Pulley-Idler, Flat	24	323-11	2	Screw-HH
12	138-9809	1	Spacer	25	323-7	2	Screw-HH
13	5-4460	1	Washer-Pivot	26	323-9	2	Screw-HH
				27	322-11	2	Screw-HH

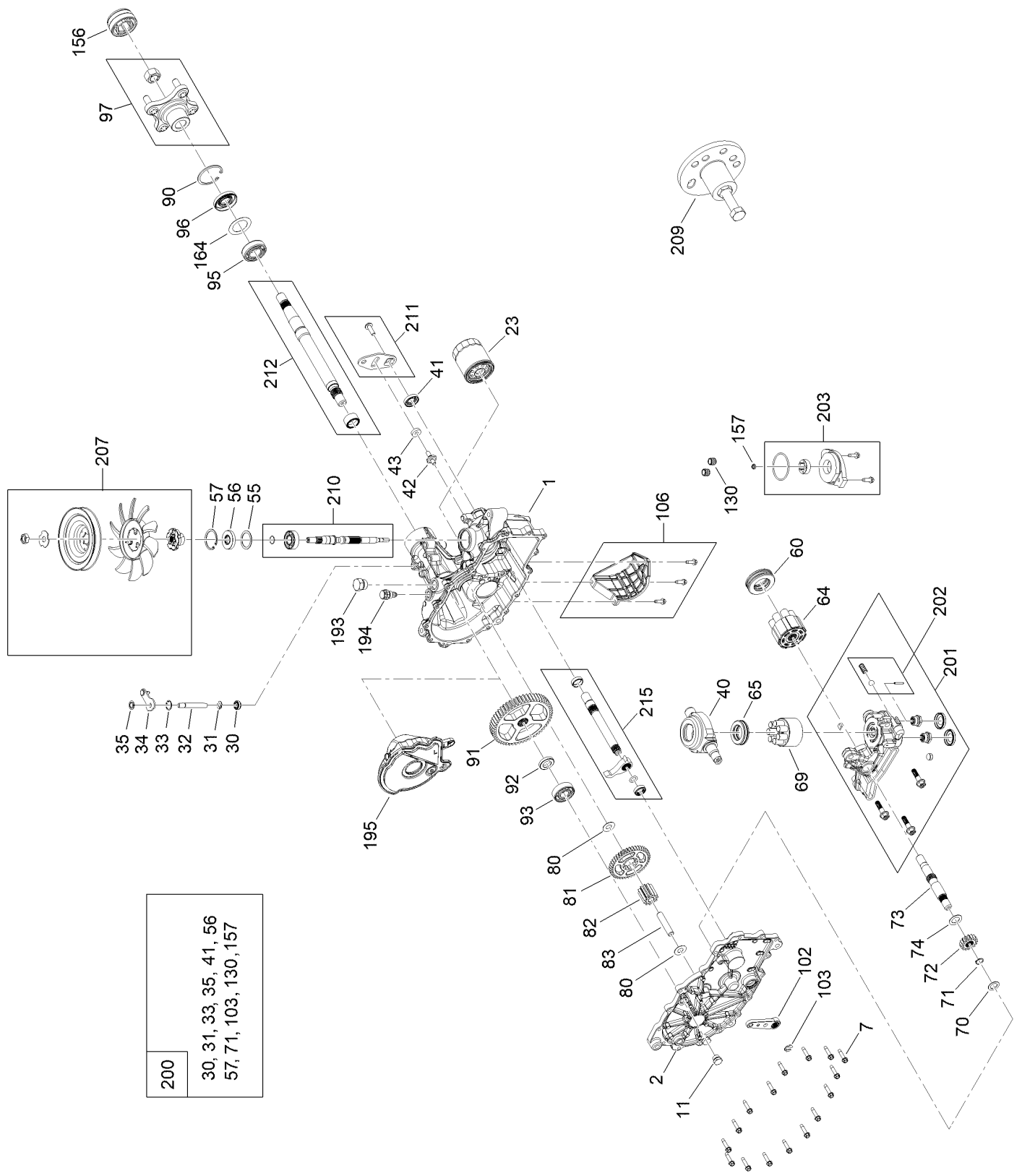
# LH Hydro Transmission Assembly No. 147-2860



# LH Hydro Transmission Assembly No. 147-2860 (continued)

<i>Ref.</i>	<i>Part Number</i>	<i>Qty.</i>	<i>Description</i>	<i>Ref.</i>	<i>Part Number</i>	<i>Qty.</i>	<i>Description</i>
1	140-8345	1	RH Main Housing Kit	83	104-5329	1	Pin-Jackshaft
2	140-8349	1	RH Side Cover Kit	90	104-2169	1	Ring-Retaining
7	117-5359	16	Screw-HHF	91	114-1694	1	Gear-54T
11	135-1140	1	Plug-Straight	92	120-7975	1	Spacer
23	109-3321	1	Element-Oil Filter, HYD	93	135-1361	1	Bearing-Ball
30	139-7497	1	Seal-Lip	95	130-8477	1	Bearing-Ball
31	106-8677	1	Ring-Retaining, External	96	104-2144	1	Seal
32	114-1685	1	Rod-Bypass	97	109-5939	1	Hub Kit
33	106-8679	1	Ring-Retaining, Internal	102	125-0021	1	Handle-Brake
34	112-9852	1	Arm-Bypass	103	131-0906	1	Ring-Retaining, EXT
35	106-8681	1	Ring-Retaining, External	106	139-7499	1	Filter Guard Kit
40	104-5304	1	Swashplate-Trunnion	130	126-3251	2	Tube-Charge
41	104-5313	1	Seal-Lip	156	115-5057	1	Cover-Nut, Axle
42	104-2116	1	Stud	157	126-1930	1	Gerotor Seal Kit
43	112-9853	1	Puck-Friction	164	121-5745	1	Spacer
55	104-5308	1	Spacer	193	140-8343	1	Plug
56	104-5310	1	Seal-Lip	194	140-8356	1	Breather Fitting ASM
57	104-5309	1	Ring-Retaining	195	140-8357	1	RH Internal Expansion Tank ASM
60	112-4154	1	Bearing-Thrust	200	140-8351	1	Seal Kit
64	139-4074	1	Cylinder Block ASM Kit	201	147-2906	1	Kit, Center Section, LH Charge
65	94-6922	1	Bearing-Thrust	202	114-8464	1	Charge Relief Kit
69	110-8561	1	Pump Block ASM	203	114-8465	1	Charge Kit
70	104-5339	1	Washer-Flat	207	135-7343	1	Fan And Pulley Kit
71	104-5340	1	Ring-Retaining	209	114-8467	1	Puller-Hub, 4 Bolt
72	114-1690	1	Gear-14T	210	139-7502	1	Input Shaft Kit
73	114-1691	1	Shaft-Motor	211	117-5362	1	Control Arm Kit
74	104-5360	1	Washer	212	114-8470	1	Axle Shaft Kit
80	94-1933	2	Washer	215	140-8352	1	Inboard Kit
81	114-1692	1	Gear-45T				
82	114-1693	1	Gear-11T				

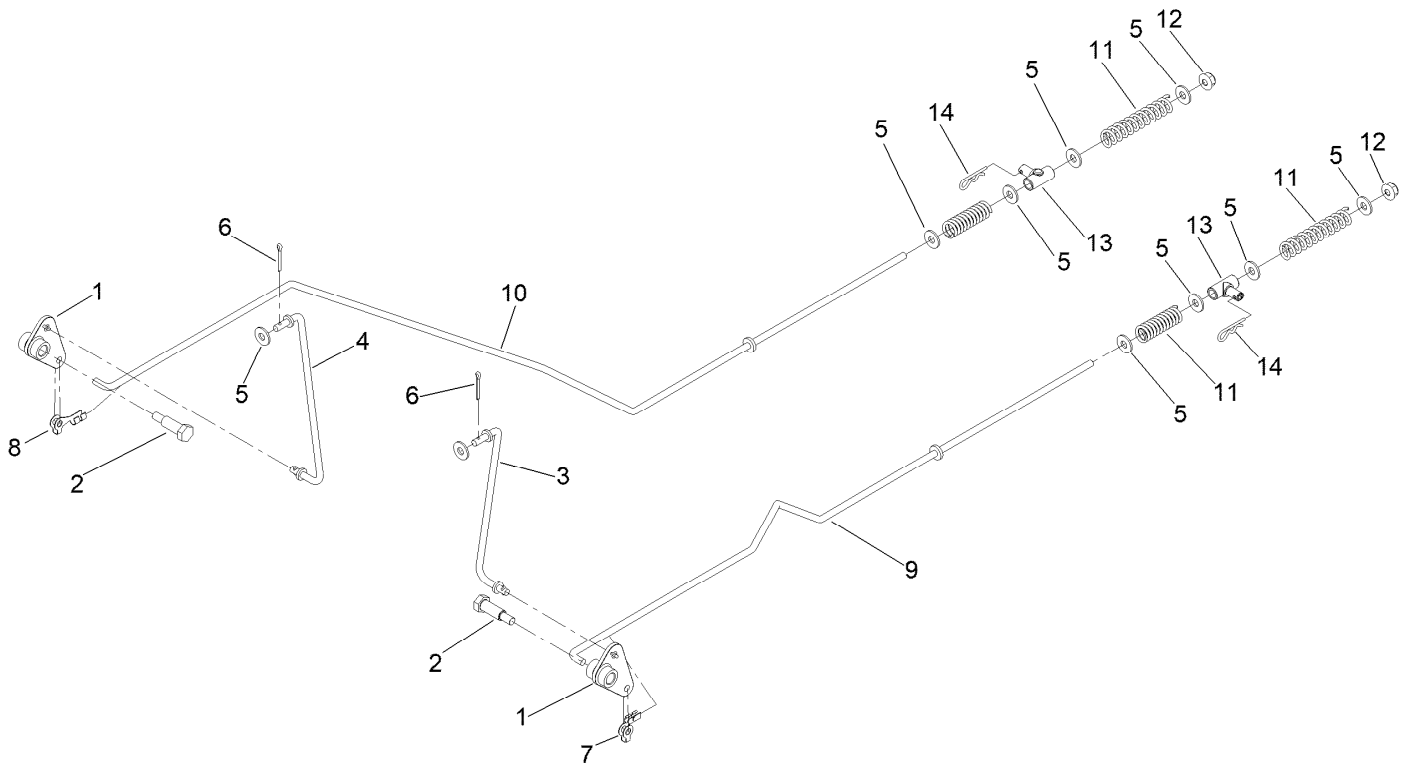
# RH Hydro Transmission Assembly No. 147-2861



# RH Hydro Transmission Assembly No. 147-2861 (continued)

<i>Ref.</i>	<i>Part Number</i>	<i>Qty.</i>	<i>Description</i>	<i>Ref.</i>	<i>Part Number</i>	<i>Qty.</i>	<i>Description</i>
1	140-8347	1	LH Main Housing Kit	83	104-5329	1	Pin-Jackshaft
2	140-8350	1	LH Side Cover Kit	90	104-2169	1	Ring-Retaining
7	117-5359	16	Screw-HHF	91	114-1694	1	Gear-54T
11	135-1140	1	Plug-Straight	92	120-7975	1	Spacer
23	109-3321	1	Element-Oil Filter, HYD	93	135-1361	1	Bearing-Ball
30	139-7497	1	Seal-Lip	95	130-8477	1	Bearing-Ball
31	106-8677	1	Ring-Retaining, External	96	104-2144	1	Seal
32	114-1685	1	Rod-Bypass	97	109-5939	1	Hub Kit
33	106-8679	1	Ring-Retaining, Internal	102	125-0021	1	Handle-Brake
34	107-2490	1	Arm-Bypass	103	131-0906	1	Ring-Retaining, EXT
35	106-8681	1	Ring-Retaining, External	106	139-7498	1	Filter Guard Kit
40	104-5304	1	Swashplate-Trunnion	130	126-3251	2	Tube-Charge
41	104-5313	1	Seal-Lip	156	115-5057	1	Cover-Nut, Axle
42	104-2116	1	Stud	157	126-1930	1	Gerotor Seal Kit
43	112-9853	1	Puck-Friction	164	121-5745	1	Spacer
55	104-5308	1	Spacer	193	140-8343	1	Plug
56	104-5310	1	Seal-Lip	194	140-8356	1	Breather Fitting ASM
57	104-5309	1	Ring-Retaining	195	140-8358	1	LH Internal Expansion Tank ASM
60	112-4154	1	Bearing-Thrust	200	140-8351	1	Seal Kit
64	139-4074	1	Cylinder Block ASM Kit	201	147-2907	1	Kit, Center Section, RH Charge
65	94-6922	1	Bearing-Thrust	202	114-8464	1	Charge Relief Kit
69	110-8561	1	Pump Block ASM	203	114-8465	1	Charge Kit
70	104-5339	1	Washer-Flat	207	135-7343	1	Fan And Pulley Kit
71	104-5340	1	Ring-Retaining	209	114-8467	1	Puller-Hub, 4 Bolt
72	114-1690	1	Gear-14T	210	139-7502	1	Input Shaft Kit
73	114-1691	1	Shaft-Motor	211	117-5362	1	Control Arm Kit
74	104-5360	1	Washer	212	114-8470	1	Axle Shaft Kit
80	94-1933	2	Washer	215	140-8353	1	Inboard Kit
81	114-1692	1	Gear-45T				
82	114-1693	1	Gear-11T				

# Parking Brake Assembly

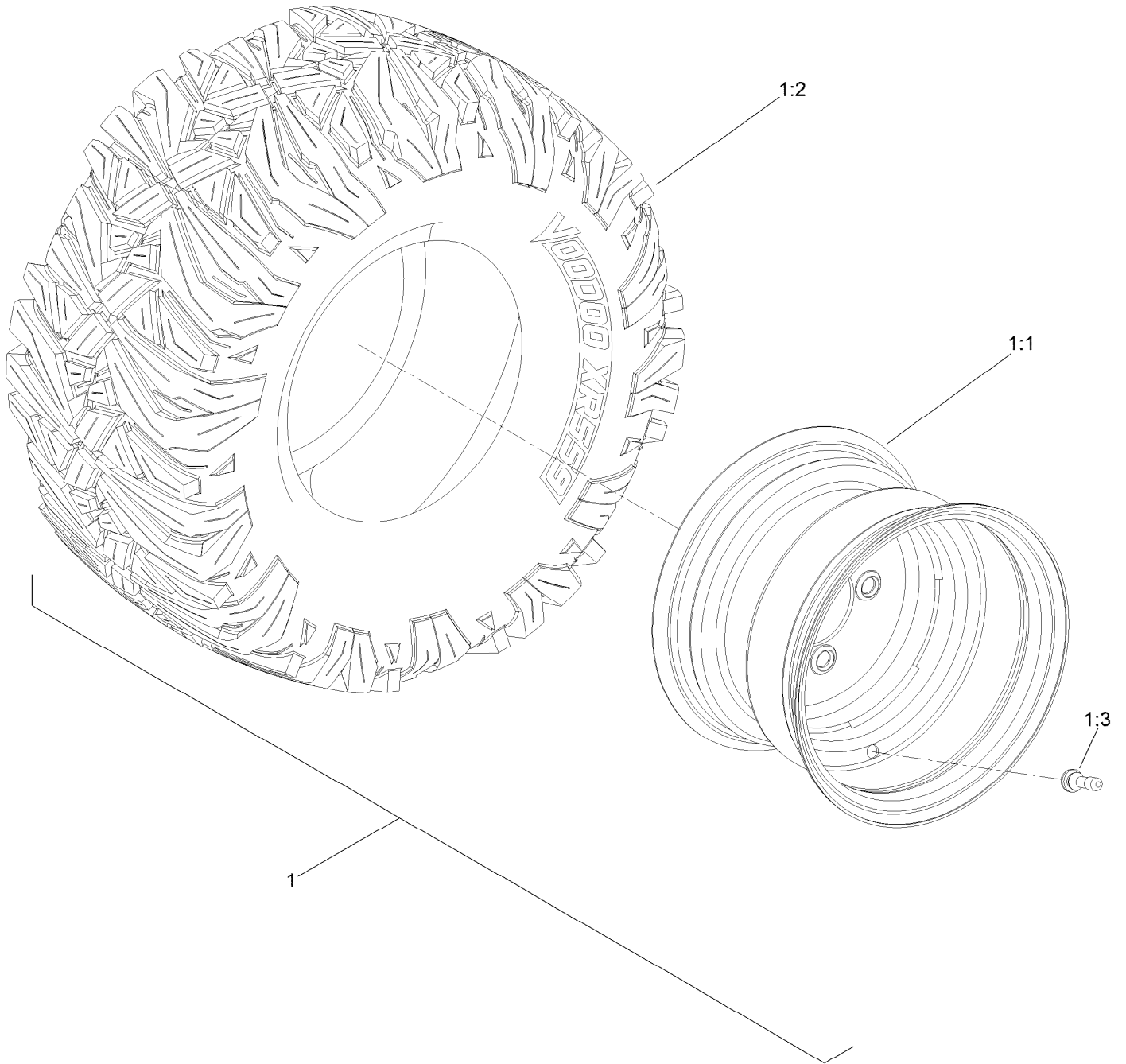




## Parking Brake Assembly (continued)

<i>Ref.</i>	<i>Part Number</i>	<i>Qty.</i>	<i>Description</i>	<i>Ref.</i>	<i>Part Number</i>	<i>Qty.</i>	<i>Description</i>
1	144-1858	2	Bellcrank	8	144-1815	1	Clip, Rod, RH, 7R, 1/4In
2	145-6364	2	Bolt - Shoulder	9	145-0408	1	Rod-Brake LH
3	145-4607	1	Link-Brake, LH	10	145-0407	1	Rod-Brake, RH
4	145-6238	1	Link-Brake, RH	11	1-603807	4	Spring-Return, Neutral
5	119-8952	10	Washer-Spcl	12	119-4040	2	Nut-HF, NI
6	120-9716	2	Pin-Cotter	13	119-8857	2	Mount-Pivot
7	144-1816	1	Clip, Rod, LH, 7L, 1/4In	14	137-3083	2	Pin-Hair

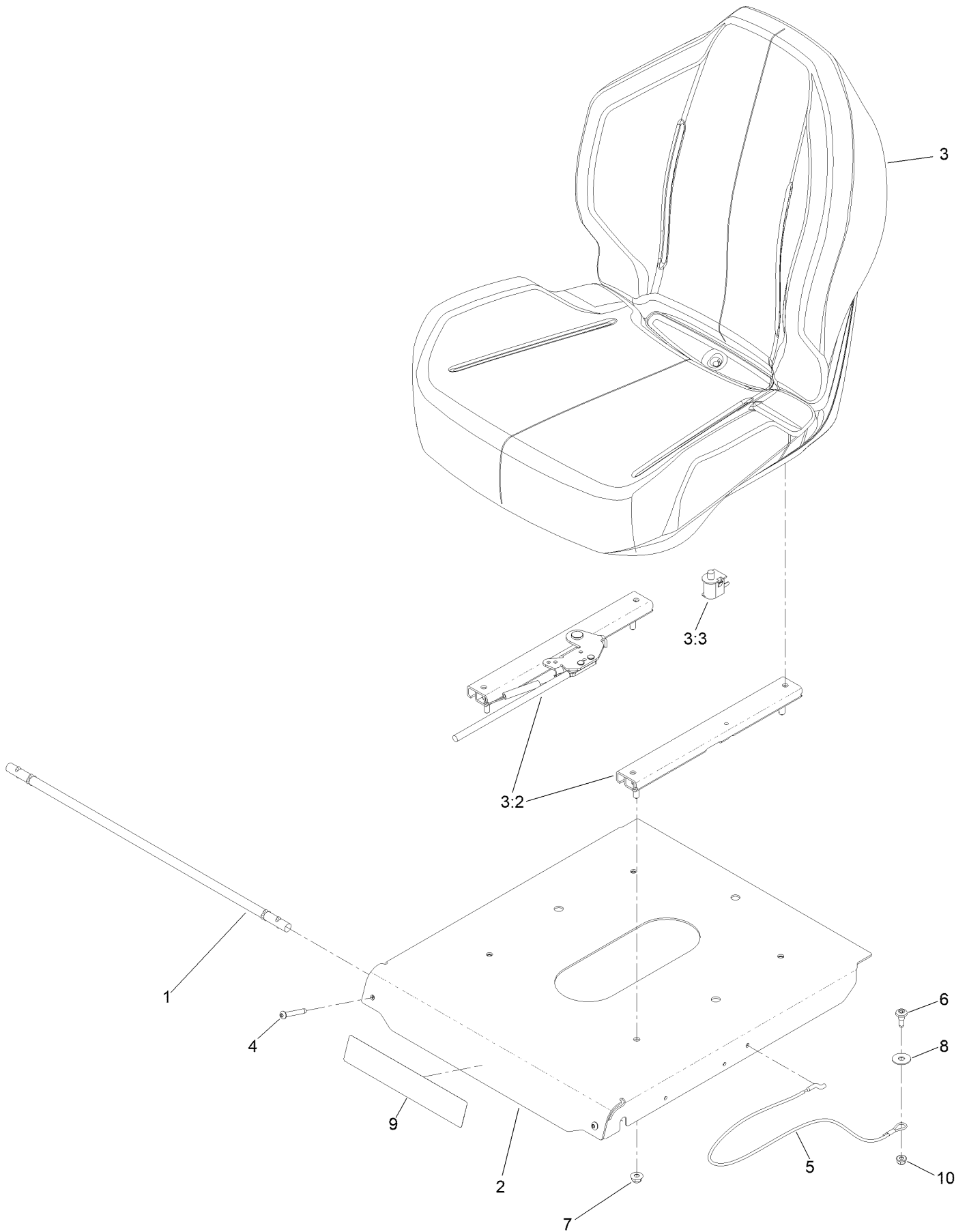
# Rear Wheel Assembly



## Rear Wheel Assembly (continued)

<i>Ref.</i>	<i>Part Number</i>	<i>Qty.</i>	<i>Description</i>	<i>Ref.</i>	<i>Part Number</i>	<i>Qty.</i>	<i>Description</i>
1	145-6393	2	Tire ASM-22X11-10 Nos2.4	1:2	147-5177	1	Tire
1:1	147-5178	1	Rim	1:3	232-27	1	Stem-Valve

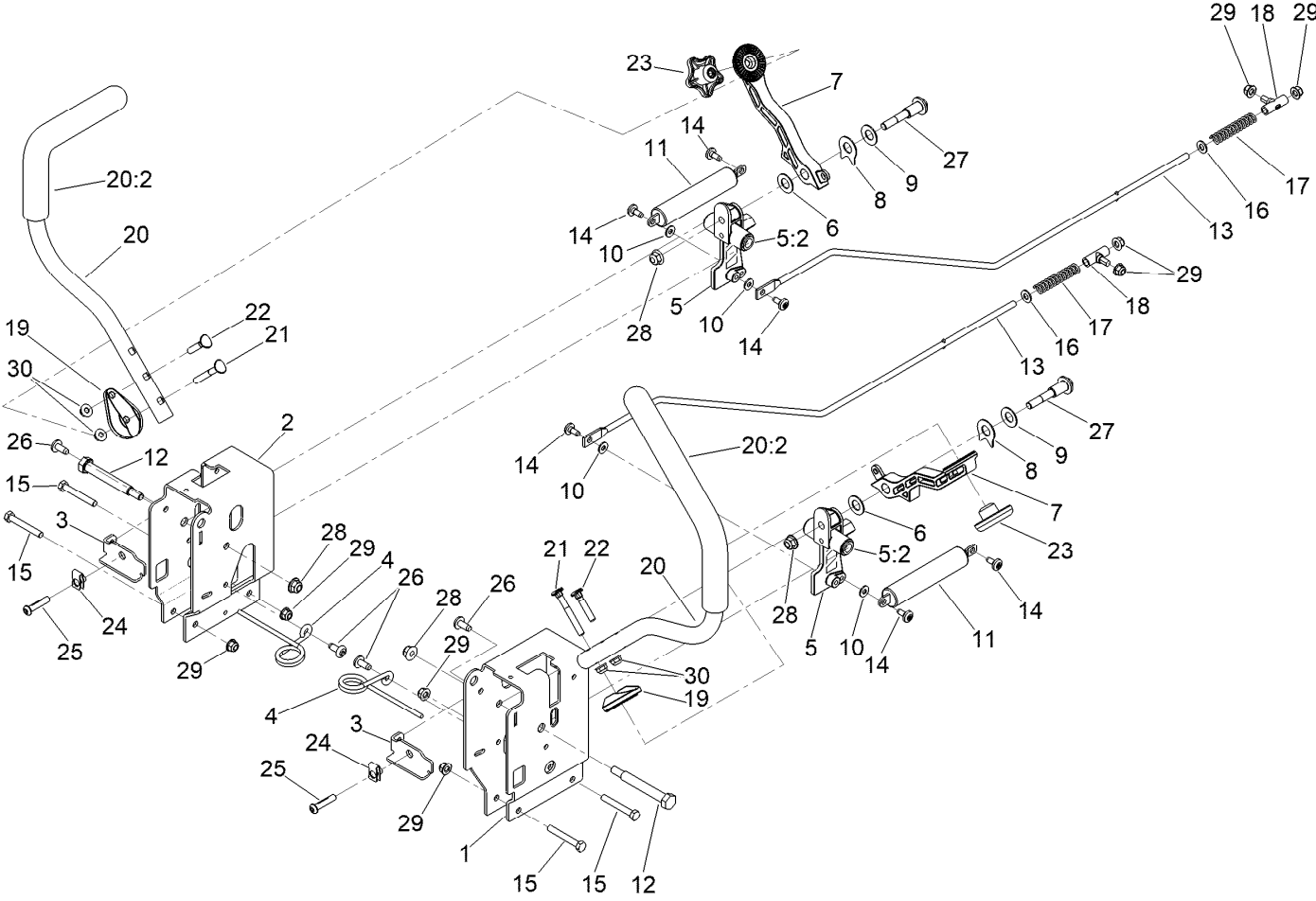
# Seat Mounting Assembly



## Seat Mounting Assembly (continued)

<i>Ref.</i>	<i>Part Number</i>	<i>Qty.</i>	<i>Description</i>	<i>Ref.</i>	<i>Part Number</i>	<i>Qty.</i>	<i>Description</i>
1	147-5169	1	Rod-Pivot	5	161-4452	1	Cable-Lanyard, 26.75"
2	147-3011-03	1	Pan-Seat	6	135-2015	1	Screw-Shoulder
3	147-8730	1	Seat ASM - Milsco Cs180D	7	119-4041	4	Nut-HF
3:2	161-4566	1	Kit-Adjuster	8	147-5287	1	Washer-Flat
3:3	82-2190	1	Switch-Bail	9	147-7565	1	Decal-Titan
4	147-5175	2	Screw-Tbh,Thd Roll	10	119-4040	1	Nut-HF, NI

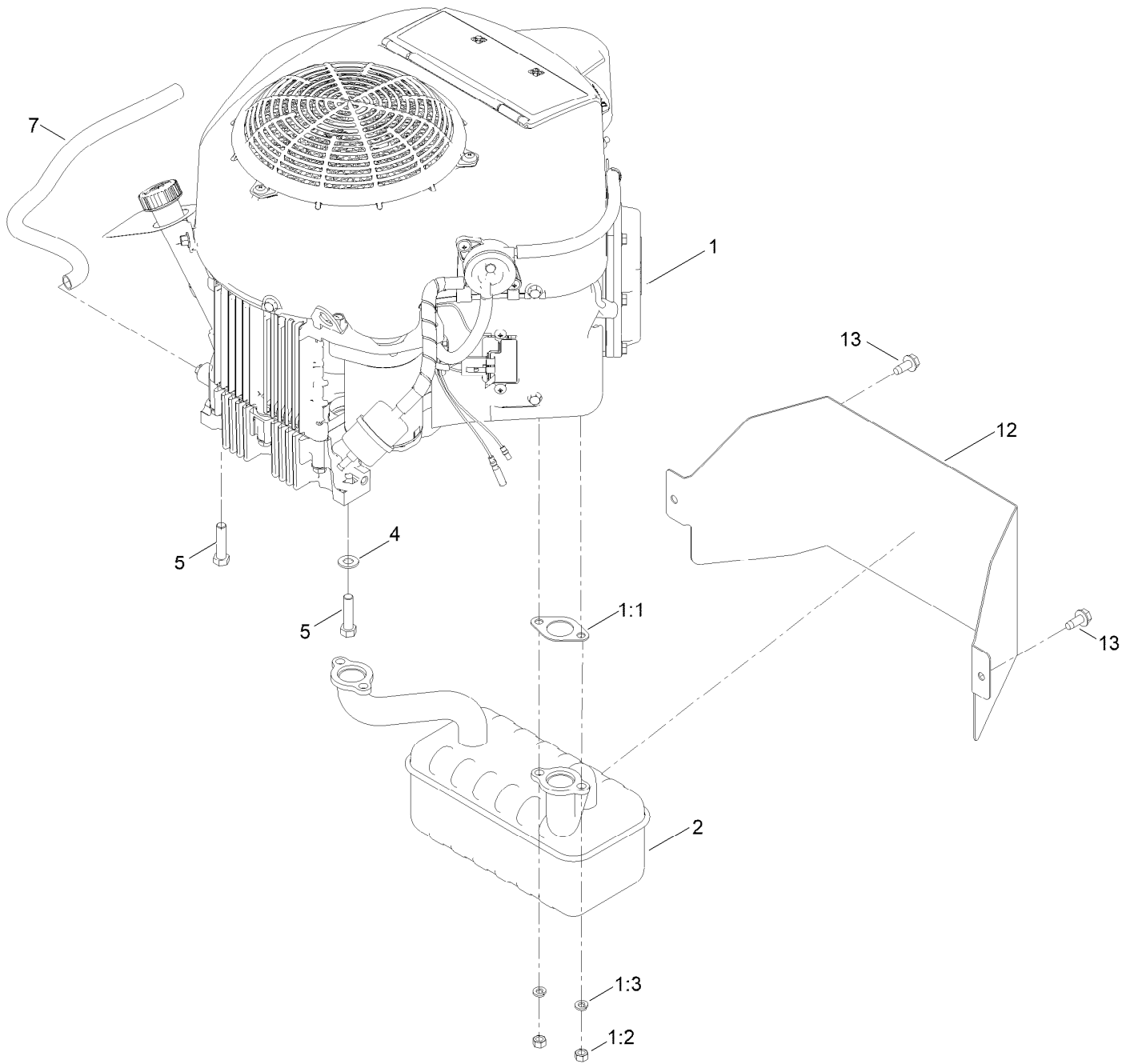
# Control Assembly



## Control Assembly (continued)

<i>Ref.</i>	<i>Part Number</i>	<i>Qty.</i>	<i>Description</i>	<i>Ref.</i>	<i>Part Number</i>	<i>Qty.</i>	<i>Description</i>
1	145-4615-03	1	Control Box - LH G7	16	120-9683	2	Washer-Plain
2	145-4647-03	1	Control Box - RH G7	17	138-7252	2	Spring-Compression
3	147-7580-03	2	Adjustment Plate-Control Box	18	138-7218	2	Mount-Rod, Hydro
4	145-6253	2	Spring-Torsion	19	147-5192-05	2	Disc-Adjustment Handle, 32 Teeth
5	145-4648	2	Pivot Arm ASM	20	145-6327	2	Handle-Control,
5:2	256-156	2	Bushing-Flange	20:2	147-3029	1	Grip
6	120-2273	2	Washer-Nylon	21	145-6366	2	Screw-Handle
7	147-5191-05	2	Arm-Control, 32 Teeth	22	137-3008	2	Screw-Handle
8	142-8478	2	Spacer, Anti-Rotation	23	117-5976	2	Knob-Handle
9	119-8925	2	Washer-Belleville	24	112-3306	2	Nut
10	119-8952	4	Washer-Spcl	25	126-4299	2	Screw-HSBH
11	132-6853	2	Damper-Non Cavitating	26	138-9753	4	Screw
12	115-5099	2	Bolt-Pivot	27	117-1198	2	Bolt-Pivot
13	145-6367	2	Rod - Hydro	28	104-8301	4	Nut-HF, NI
14	120-7950	6	Screw-Torx	29	104-8300	8	Nut-HF, NI
15	322-11	4	Screw-HH	30	138-8401	4	Nut-HF

# Engine and Muffler Assembly





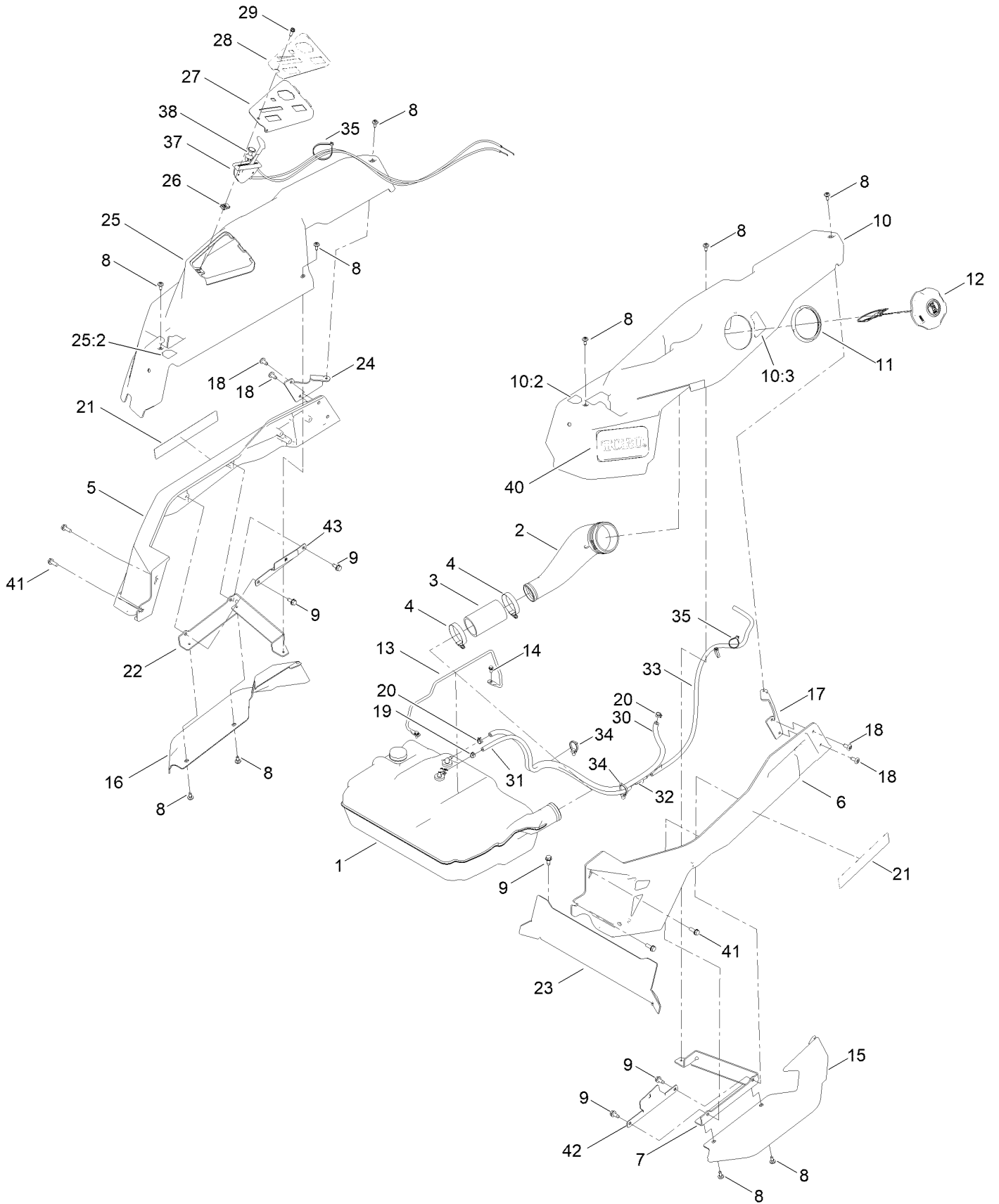
## Engine and Muffler Assembly (continued)

<i>Ref.</i>	<i>Part Number</i>	<i>Qty.</i>	<i>Description</i>	<i>Ref.</i>	<i>Part Number</i>	<i>Qty.</i>	<i>Description</i>
1		1	Engine-Kawasaki, Fr730V-S09-R ●■	4	3256-24	3	Washer-Plain
1:1	1-653313	2	Gasket-Exhaust	5	323-50	4	Bolt-HH
1:2	114-3549	4	Nut	7	106-7022	1	Tube-Drain, Oil
1:3	114-3550	4	Washer-Lock	12	161-6221-03	1	Heat Shield - Muffler
2	139-5867	1	Muffler	13	32144-70	2	Screw-HWHTF

● Not serviced separately

■ Obtain parts from [www.kawpower.com](http://www.kawpower.com)

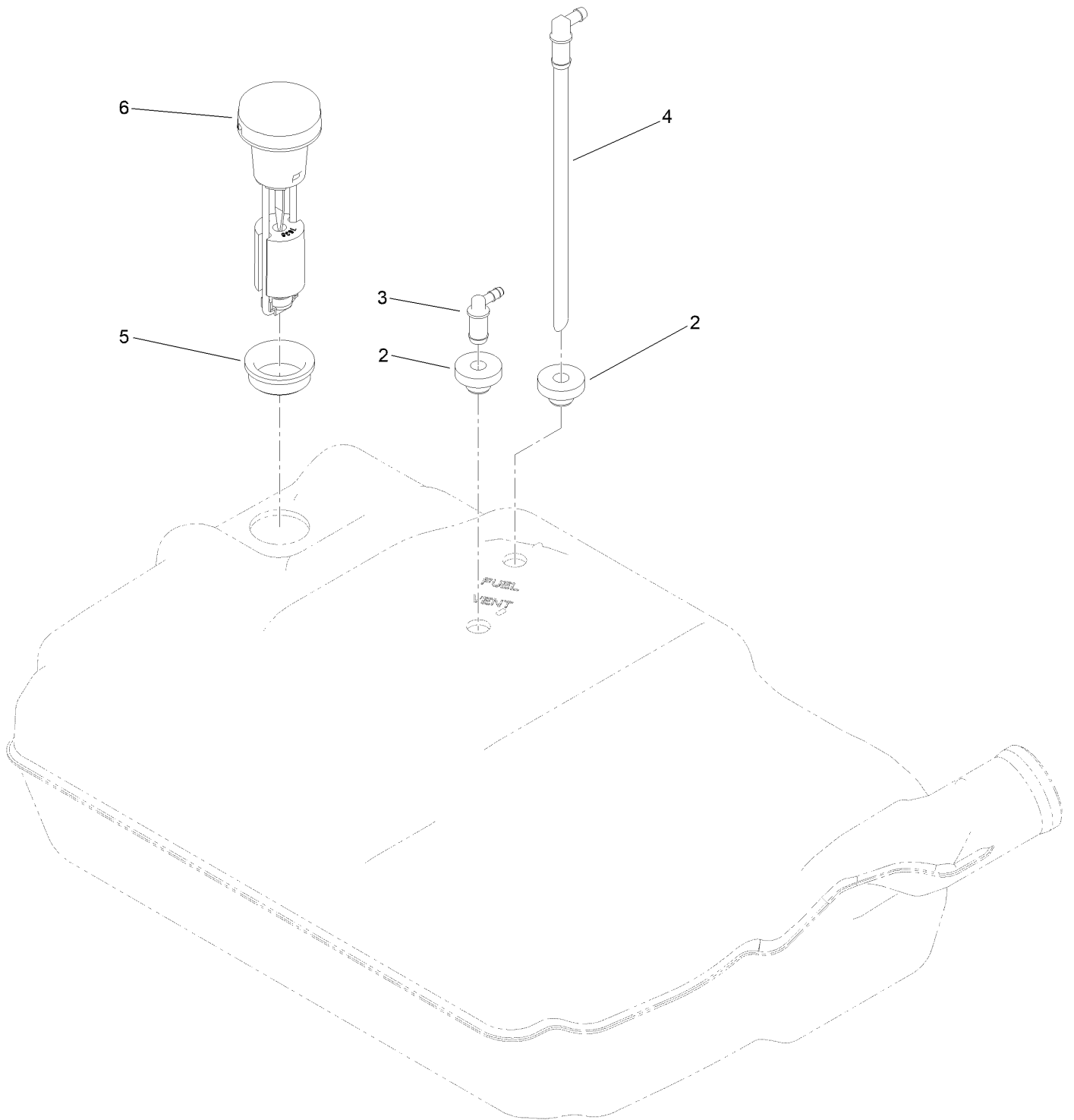
# Fuel Pod Assembly



## Fuel Pod Assembly (continued)

<i>Ref.</i>	<i>Part Number</i>	<i>Qty.</i>	<i>Description</i>	<i>Ref.</i>	<i>Part Number</i>	<i>Qty.</i>	<i>Description</i>
1	147-5288	1	Tank ASM - Fuel	21	147-7566	2	Decal-Titan
2	147-7657	1	Neck-Filler, Fuel	22	147-2975-03	1	Mount-Pod Bracket RH
3	145-4698	1	Hose-Filler, Fuel	23	147-5170-03	1	Plate-Kick
4	2412-130	2	Clamp-Hose	24	147-2977-03	1	Mount-Pod Bracket RH
5	147-2973-01	1	Cast-Tube, RH [red]	25	147-8742	1	Pod ASM - RH W/Decals
6	147-2972-01	1	Cast-Tube, LH [red]	25:2	139-2394	1	Decal-Control Lever, RH
7	147-2974-03	1	Mount-Pod Bracket LH	26	107069	1	Clip
8	120-7950	10	Screw-Torx	27	147-2990-03	1	Panel-Control
9	32144-70	6	Screw-HWHTF	28	147-7571	1	Decal - Control Panel
10	147-8741	1	Pod ASM - LH W/Decals	29	49-2040	1	Screw-HWHTF
10:2	139-2395	1	Decal-Control Lever, LH	30	109-0275	1	Hose-Fuel
10:3	147-2399	1	Decal-Fuel Fill	31	121-0780	1	Hose-Fuel
11	147-7712	1	Ring-Retaining	32	144-1983	1	Adapter Orifice
12	137-4119	1	Cap-Fuel, Ratcheting	33	108-6344	1	Hose-Fuel
13	147-5176	1	Rod-Hold Down	34	32180-030	2	Clip-Tie
14	32144-4	2	Screw-HWH	35	614249	3	Tie-Cable
15	147-2978	1	Fender-Time Cutter, LH	37	139-5808	1	Cable-Throttle
16	147-2979	1	Fender-Time Cutter, RH	38	147-2902	1	Cable-Choke
17	147-2976-03	1	Bracket-Rear Pod, LH	40	147-7714	2	Decal - Toro Logo
18	138-9753	4	Screw	41	32144-41	4	Screw-Taptite
19	2412-80	1	Clamp-Hose	42	161-4609-03	1	Bracket-Alignment, Pod LH
20	2412-98	2	Clamp-Hose	43	161-4610-03	1	Bracket- Alignment, Pod RH

# Fuel Tank Assembly No. 147-5288

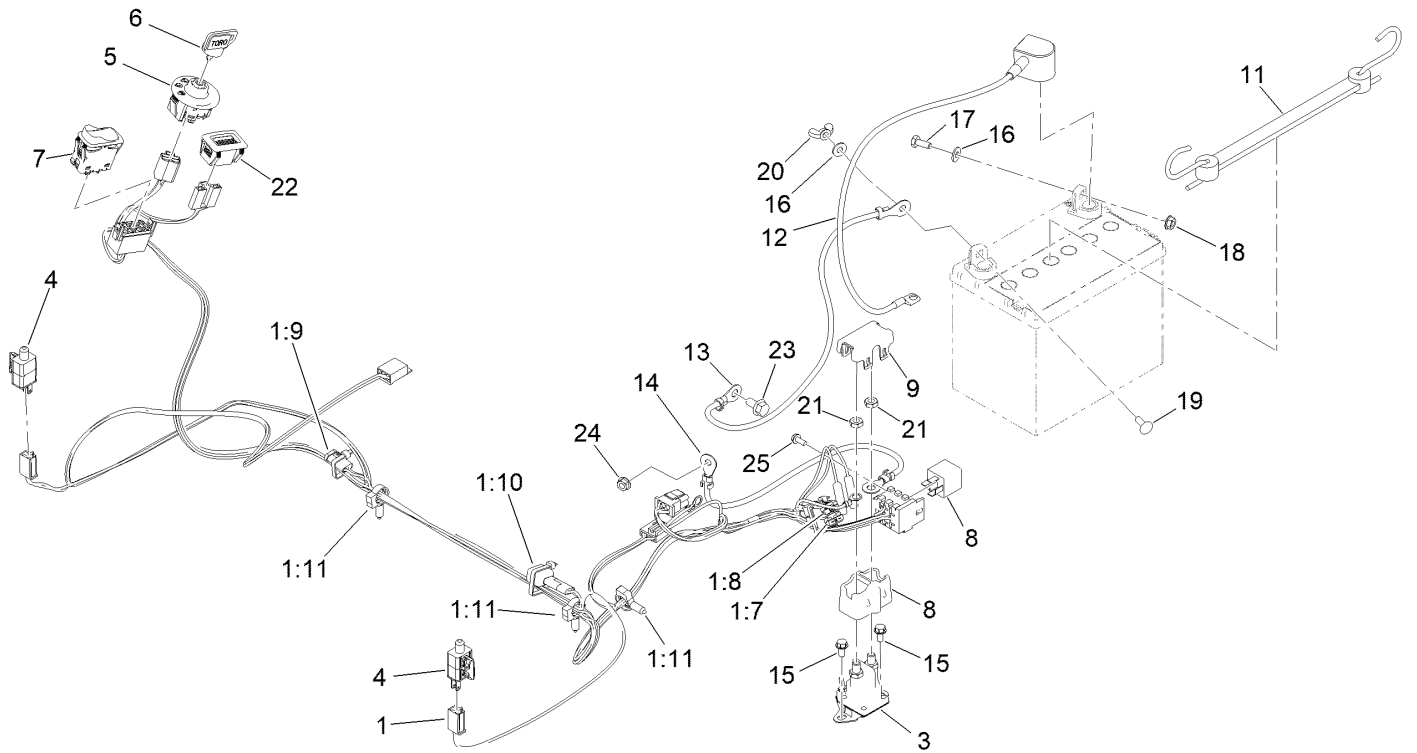


## Fuel Tank Assembly No. 147-5288 (continued)

<i>Ref.</i>	<i>Part Number</i>	<i>Qty.</i>	<i>Description</i>
2	46-6560	2	Bushing
3	144-5302	1	Fitting-Elbow 90
4	147-2934	1	Fitting - Pickup, Fuel

<i>Ref.</i>	<i>Part Number</i>	<i>Qty.</i>	<i>Description</i>
5	133-9269	1	Grommet-Fuel
6	147-5166	1	Remote Gauge ASM

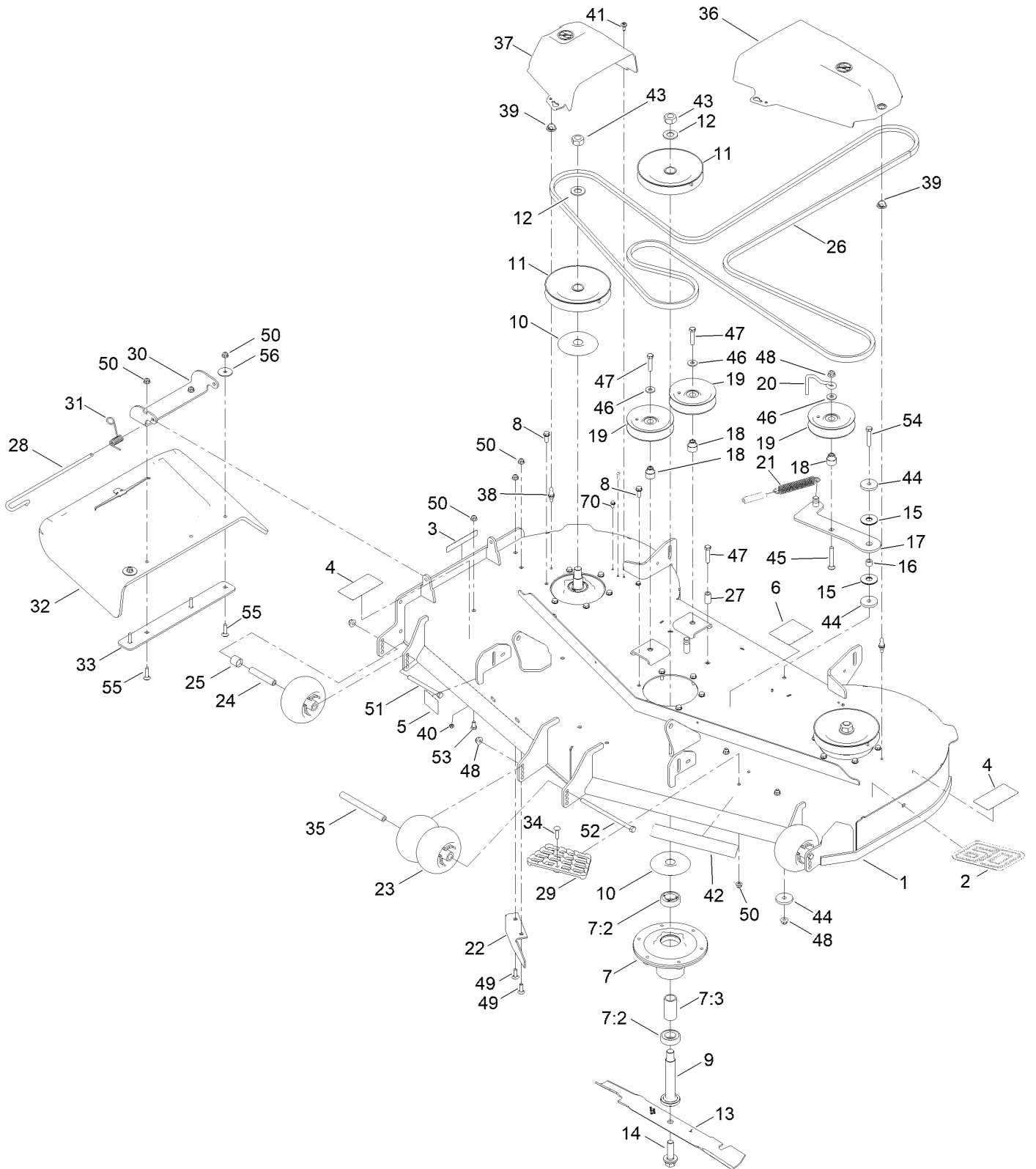
# Electrical Assembly



## Electrical Assembly (continued)

<i>Ref.</i>	<i>Part Number</i>	<i>Qty.</i>	<i>Description</i>	<i>Ref.</i>	<i>Part Number</i>	<i>Qty.</i>	<i>Description</i>
1	145-6382	1	Harness-Wire, Main	11	104-2466	1	Holddown-Battery
1:7	109355	1	Fuse-Blade, 15 Amp	12	147-2941	1	Cable-Battery,Red
1:8	109102	1	Fuse-Blade, 25 Amp	13	119-8899	1	Cable-Battery, Black
1:9	32180-435	1	Cap-Over Mold, 1M/1F	14	121-0711	1	Cable-Battery, Positive
1:10	100-4918	1	Diode	15	32144-4	2	Screw-HWH
1:11	32180-047	3	Clip-Tubing, Harness	16	119-8952	2	Washer-Spcl
3	117-1197	1	Solenoid	17	137-3041	1	Screw-HH
4	110-6765	2	Switch	18	139-2575	1	Nut-HF
5	137-4100	1	Switch-Ignition	19	137-3053	1	Screw-CARR
6	63-8360	1	Key-Ignition	20	32103-22	1	Nut-Wing
7	139-6368	1	Switch-Rocker, On-None-On	21	139-2580	2	Nut-HJ
8	1-643275	1	Relay	22	139-6404	1	Hour Meter
8	140-2080	1	Cover-Solenoid	23	33104-016	1	Screw-HHF
9	140-2081	1	Cap-Solenoid	24	32128-33	1	Nut-HF
				25	139-1713	1	Screw-Thd Roll

# 60in Deck and Decal Assembly

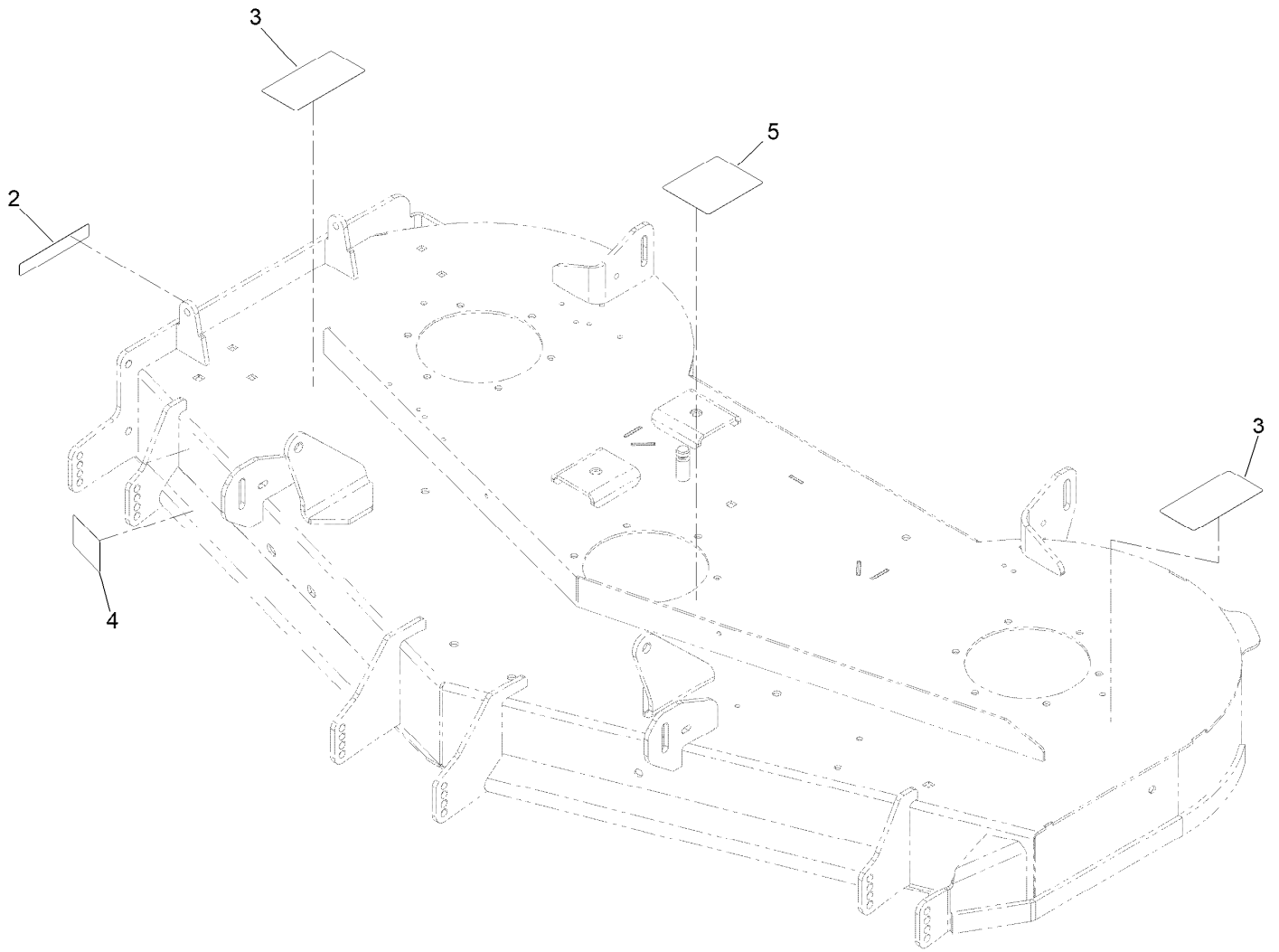




## 60in Deck and Decal Assembly (continued)

<i>Ref.</i>	<i>Part Number</i>	<i>Qty.</i>	<i>Description</i>	<i>Ref.</i>	<i>Part Number</i>	<i>Qty.</i>	<i>Description</i>
1	147-8751	1	60 In Deck & Decal ASM	29	126-4781-03	1	Step-Deck
2	147-7570	1	Decal - Deck 60	30	114-1648-03	1	Bracket-Deflector, Upper
3	130-0731	1	Decal-Danger	31	138-7232	1	Spring-Torsion
4	132-0872	2	Decal-Danger, Deck	32	147-3015	1	Deflector - Molded
5	130-0765	1	Decal-Scalp, Anti	33	115-5048-03	1	Plate-Deflector
6	117-1194	1	Decal-Routing, Belt	34	139-1702	1	Bolt-Carriage
7	139-2357	3	Spindle ASM	35	98-5967	1	Spacer-Wheel
7:2	116-0720	2	Bearing-Ball	36	147-2854	1	Cover-Belt, LH
7:3	138-7220	1	Spacer-Bearing	37	147-2853	1	Cover-Belt, RH
8	32144-41	18	Screw-Taptite	38	147-2872	2	Stud-Ball
9	115-2642	3	Shaft-Spindle	39	147-2871	2	Grommet-Ball
10	138-7221	3	Shield-Bearing	40	115-7373	2	Nut-Lock
11	147-7674	3	Pulley	41	120-7950	4	Screw-Torx
12	7-4150	3	Washer	42	147-7567	1	Decal - Iron Forged
13	115-9649-03	3	Blade-Hi Flow	43	3219-7	3	Nut-Hex
14	145-0412	3	Screw-Blade	44	110-9981	3	Washer-Plain
15	114-0463	2	Washer-Friction, Composite	45	3231-31	1	Screw-CARR
16	138-7225	1	Spacer	46	80-6990	3	Washer-Hardened
17	145-7038	1	Idler Arm ASM	47	323-9	3	Screw-HH
18	138-7227	3	Bushing-Idler	48	104-8301	6	Nut-HF, NI
19	132-4718	3	Pulley-Idler, Flat	49	3230-22	2	Screw-CARR
20	136-5615	1	Guide-Belt, Idler	50	104-8300	10	Nut-HF, NI
21	138-7228	1	Spring-Extension	51	323-23	2	Screw-HH
22	119-3388-03	1	Baffle-Cutoff	52	108-5388	1	Screw-HH
23	1-603299	4	Roller-Scalp, Anti	53	322-2	3	Screw-HH
24	138-7229	2	Tube-Spanner	54	323-10	1	Screw-HH
25	104-0892	2	Spacer-Axle, Rear	55	3230-3	4	Screw-CARR
26	133-1168	1	Belt-V	56	3256-68	2	Washer-Flat
27	138-7230	1	Spacer-Fender	70	32144-4	4	Screw-HWH
28	138-7231	1	Pin-Chute				

# Deck Decal Assembly No. 147-8751

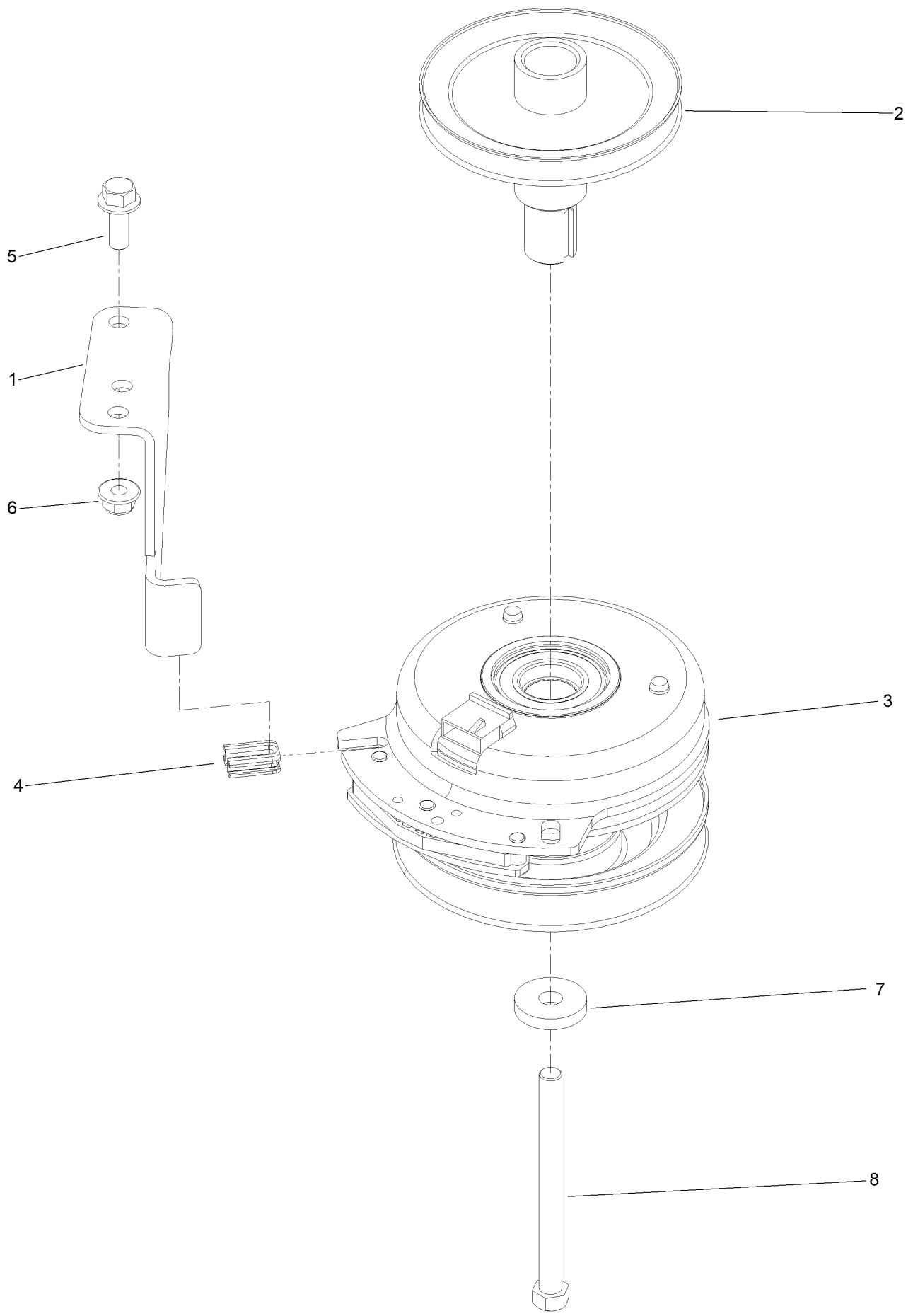


## Deck Decal Assembly No. 147-8751 (continued)

<i>Ref.</i>	<i>Part Number</i>	<i>Qty.</i>	<i>Description</i>
2	130-0731	1	Decal-Danger
3	132-0872	2	Decal-Danger, Deck

<i>Ref.</i>	<i>Part Number</i>	<i>Qty.</i>	<i>Description</i>
4	130-0765	1	Decal-Scalp, Anti
5	117-1194	1	Decal-Routing, Belt

# Clutch Assembly



## Clutch Assembly (continued)

<i>Ref.</i>	<i>Part Number</i>	<i>Qty.</i>	<i>Description</i>	<i>Ref.</i>	<i>Part Number</i>	<i>Qty.</i>	<i>Description</i>
1	137-7000	1	Stop-Clutch (Wide)	5	3234-42	1	Screw-HHF
2	138-9831	1	Pulley-Engine	6	104-8301	1	Nut-HF, NI
3	127-3410	1	Clutch-PTO	7	112843	1	Washer
4	120-2217	1	Isolator-Clutch	8	3212-19	1	Screw-HH

# Attachments and Accessories

## For 76605 Titan 60in Zero Turn Riding Mower

<b>Product Name</b>	<b>Model/Part</b>
Hypr-Oil 500 (quart) .....	114-4713
Blade-Hi Flow, 20.5in .....	115-9649-03P
Jack Kit .....	127-6666
Fuel Stabilizer .05 oz .....	130-2393
4-Cycle Fuel, Snow And Lawn 32oz Can .....	131-3823
Toro Premium Fuel Treatment 12oz Bottle .....	131-6572
60in Recycler Kit .....	136-7490
Oil-30/10W-30 Synthetic (Quart) .....	138-6053
Hd Bagger Cover Kit .....	140-5036
Leaf Bagging Enhancement Kit .....	140-5122
Hydro Service Kit .....	144-5347
Flat Free Caster Wheel Kit .....	145-0489
Led Light Kit .....	147-8757
Kit-Striping, 54/60in .....	147-8781
Mount, Jack Titan .....	147-8824
Assist Bar Kit .....	161-4450
Kit-Arm Rest .....	161-4567
10W30 4-Cycle Engine Oil (32oz Bottle) .....	38280
Toro 4-Cycle SAE 30 Oil (32oz Bottle) .....	38903
Toro Deluxe Rider Cover .....	490-7319
Powered Bagger, Titan Models ROHS .....	79348
ROPS Kit .....	79487
Kit-Slope Sensor .....	79489

**Notes:**



**Count on it.**