



Count on it.

Parts Catalog

Scarifier

Model No. 54610—Serial No. 321000001 and Up



Ordering Replacement Parts

To order replacement parts, please supply the part number, the quantity, and the description of each part desired.

Understanding Reference Numbers

Each identified part in an illustration has a reference number. The reference number for a part also appears in the parts list, along with other information about the part.

This catalog uses two special reference number formats, one to indicate parts in a service assembly and another to indicate the quantity of a given part in an illustration.

Service Assembly Reference Numbers

Parts in service assemblies have reference numbers in the form a:b. The a represents the reference number of the entire service assembly and the b represents a sequential number unique to each part within the service assembly.

For example, a wheel assembly might be identified by reference number 6, the tire by 6:1, the valve by 6:2, and the wheel by 6:3. When you order the assembly identified by reference number 6, you receive all parts identified by reference numbers 6:1, 6:2, and 6:3. However, you may also order any part individually. Reference numbers of this type appear in illustration and in parts lists.

Reference Numbers Indicating Quantity

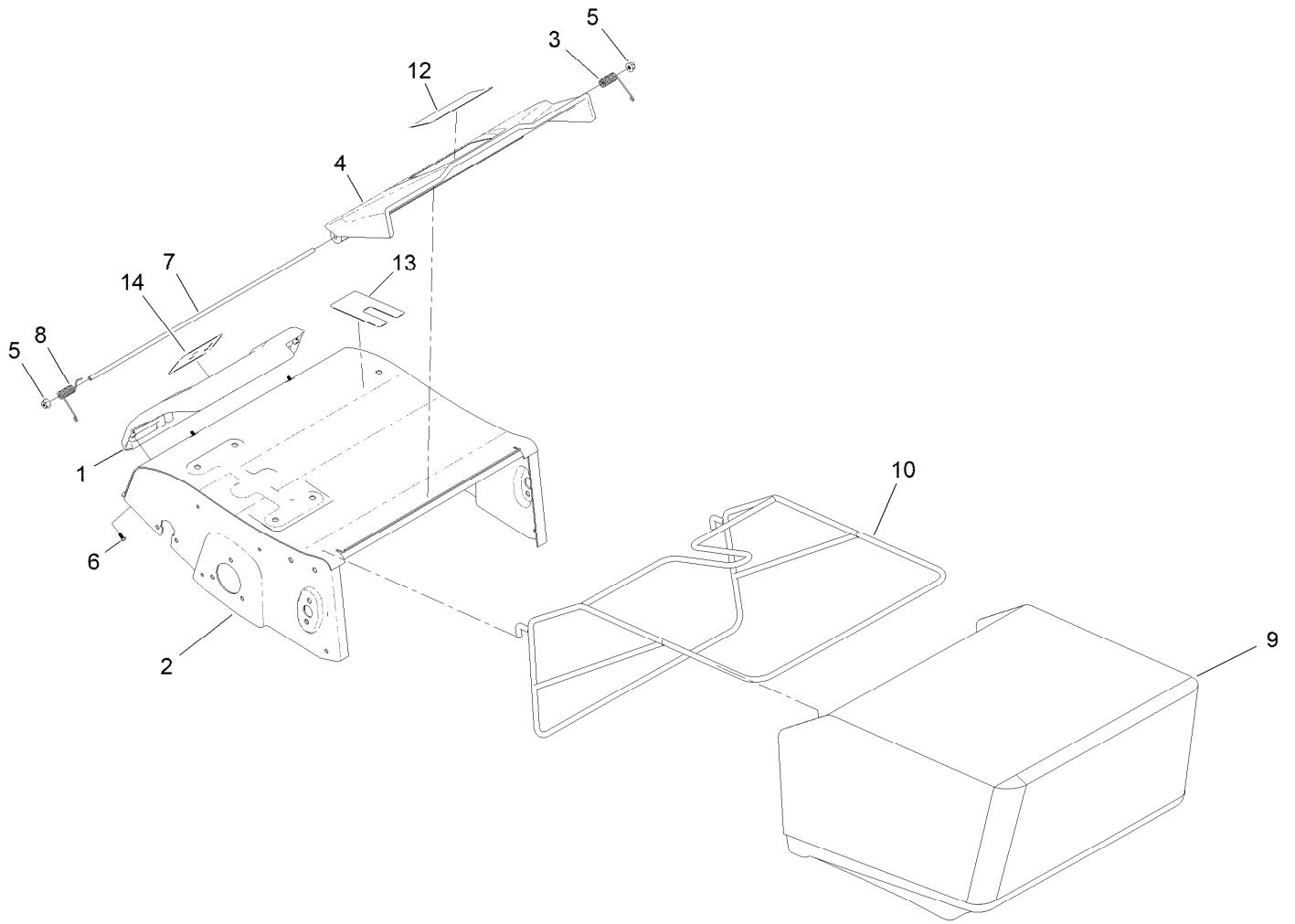
In an illustration, if a reference number indicates more than one part, the reference number has the form nX y. The n represents the quantity of the part, the X is the multiplication symbol, and the y represents the reference number.

For example, in an illustration, the reference number 2X 37 means that two of the parts identified by reference number 37 are indicated.

Contents

Deck and Grass Bag Assembly	4
Engine and Pulley Assembly	6
Spring Tine Assembly	8
Blade Shaft Assembly	10
Traction and Suspension Assembly	12
Handle and Control Assembly	14
Lever Bracket Assembly	16

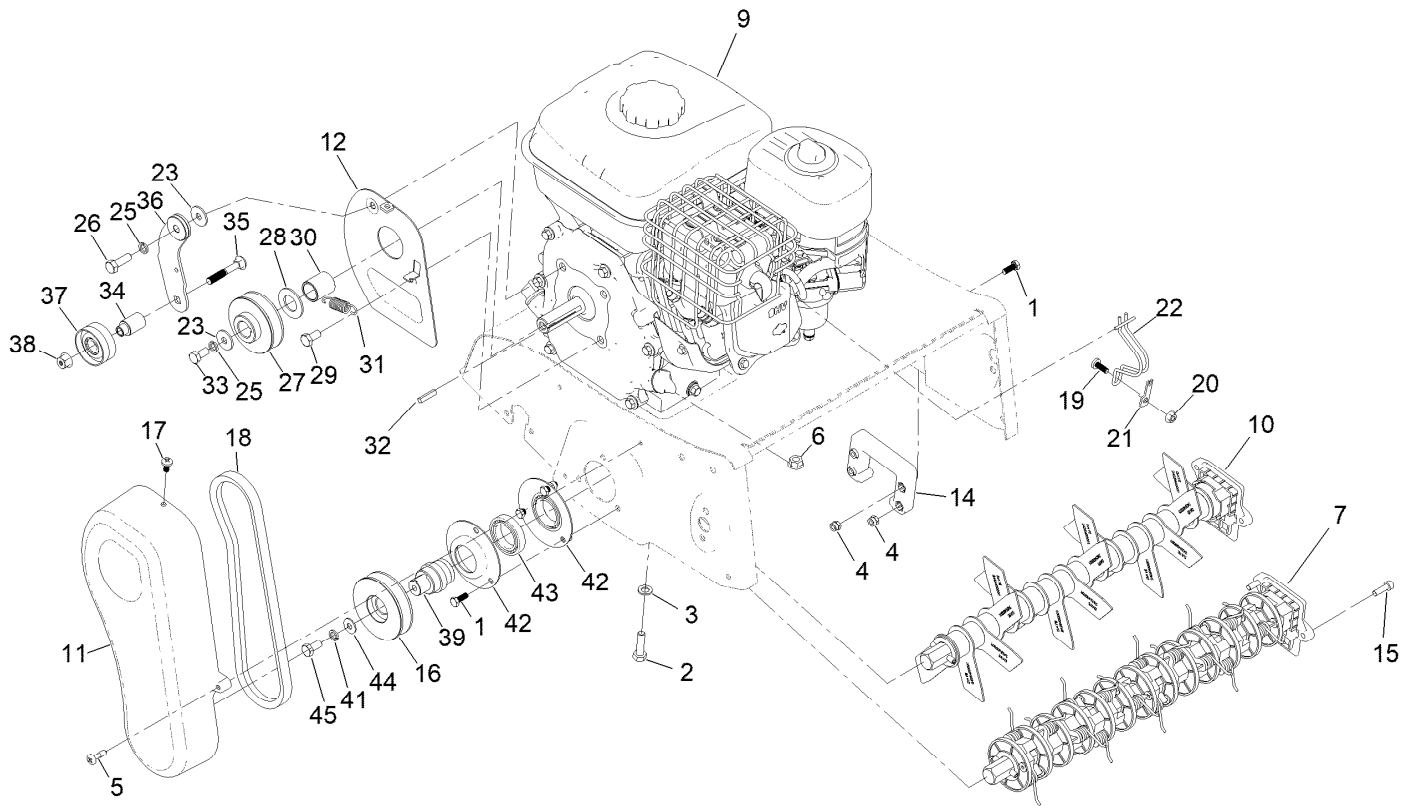
Deck and Grass Bag Assembly



Deck and Grass Bag Assembly (continued)

<i>Ref.</i>	<i>Part Number</i>	<i>Qty.</i>	<i>Description</i>	<i>Ref.</i>	<i>Part Number</i>	<i>Qty.</i>	<i>Description</i>
1	134-5278	1	Front Cowling	8	134-5608	1	Spring-Flap, Rear Lhs
2	134-7542	1	Deck HD	9	134-6106	1	Grass Bag - Fabric Assy
3	134-5495	1	Spring-Flap, Rear Rhs	10	134-6107	1	Grass Bag Steel Frame
4	134-5524	1	Flap-Rear	12	134-5696	1	Decal - Safety
5	134-0118	2	Nut-Lock, Flange	13	134-7583	1	Decal - Dual HOC / Spring Tine
6	134-5571	5	Screw-Pan Head	14	134-5702	1	Decal - Logo Toro
7	134-5585	1	Rod-Flap				

Engine and Pulley Assembly



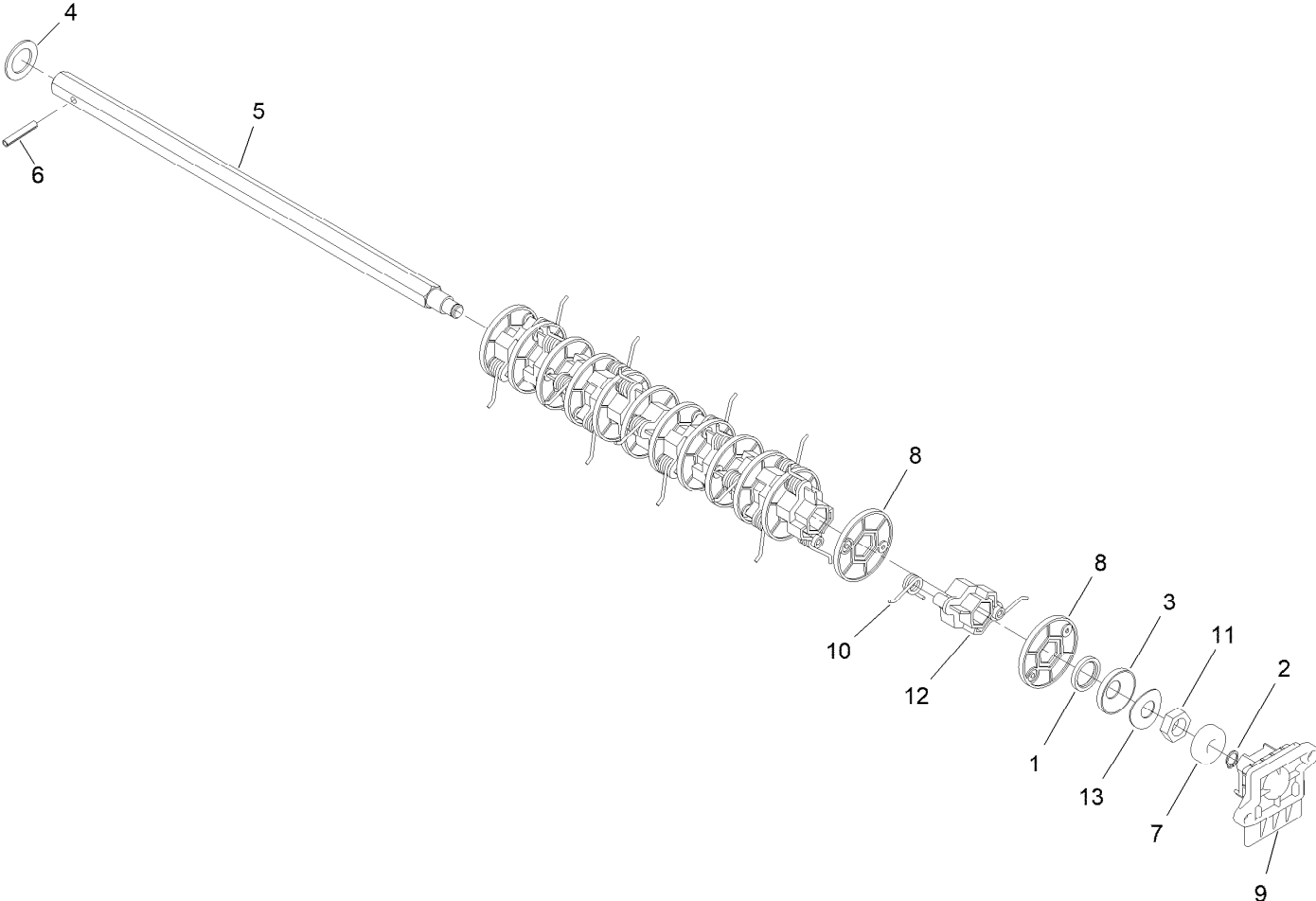
Engine and Pulley Assembly (continued)

<i>Ref.</i>	<i>Part Number</i>	<i>Qty.</i>	<i>Description</i>	<i>Ref.</i>	<i>Part Number</i>	<i>Qty.</i>	<i>Description</i>
1	134-5466	3	Bolt-Hex	23	134-5591	2	Spacer-Shaft
2	09369	4	Screw-HH	25	134-5488	2	Washer- Lock, Spring
3	134-5498	4	Washer	26	03162	1	Screw-HH
4	134-5500	7	Nut-Lock, Prevailing Torque	27	134-5590	1	Pulley
5	134-5501	3	Screw	28	134-5595	1	Spacer-Shaft
6	134-0118	4	Nut-Lock, Flange	29	134-5596	1	Bolt-Hex
7	134-7553	1	Spring Tine Assembly	30	134-6263	1	Sheath
9		1	Engine - B&s Xr750 Horizontal ●■	31	134-5604	1	Spring
10	134-7556	1	Scarifier Blade Shaft Assembly	32	134-5605	1	Key
11	134-5574	1	Guard-Pulley	33	134-5483	1	Bolt-Hex
12	134-5592	1	Plate-Pulley, Engine	34	134-5599	1	Sleeve
14	134-5548	1	Dock-Shaft, Tine	35	134-5600	1	Bolt-Carriage
15	134-5573	2	Screw-Socket Cap Head	36	134-6115	1	Pulley Arm Welded Assy
16	134-5555	1	Pulley-Shaft, Tine	37	134-5602	1	Bearing
17	134-5553	1	Screw-Pan Head	38	134-5507	1	Nut-Lock, Prevailing Torque
18	134-5626	1	Belt	39	134-5494	1	Coupler
19	134-6108	1	Cross Screw M6X16	41	134-5488	1	Washer- Lock, Spring
20	134-6109	1	M6 Hex Nut	42	134-5487	2	Flange
21	134-6110	1	Exhaust Guard Bracket	43	134-5485	2	Bearing
22	134-6111	1	Guard-Exhaust	44	134-5490	1	Washer
				45	134-5483	1	Bolt-Hex

● Not serviced separately

■ Obtain parts from www.briggsandstratton.com

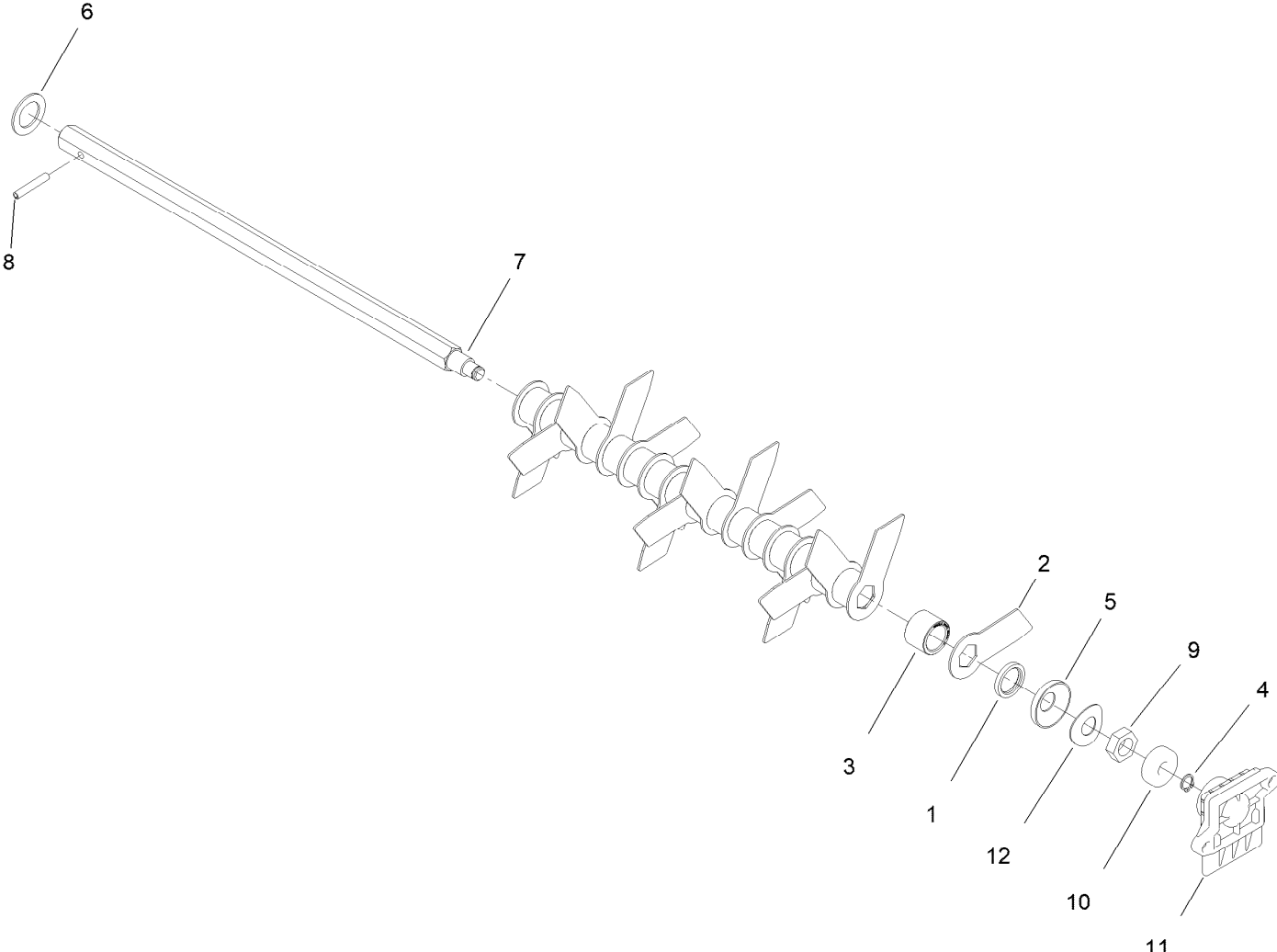
Spring Tine Assembly



Spring Tine Assembly (continued)

<i>Ref.</i>	<i>Part Number</i>	<i>Qty.</i>	<i>Description</i>	<i>Ref.</i>	<i>Part Number</i>	<i>Qty.</i>	<i>Description</i>
1	134-5513	1	Spacer	8	134-5567	13	Divider-Spring, Plastic Aerator
2	134-5516	1	Circlip	9	134-7543	1	Bearing Housing V2
3	134-5517	1	Shoulder Piece	10	134-7554	24	Spring Tine V2
4	134-5518	1	Washer	11	134-5521	1	Nut-Hex
5	134-5519	1	Rod-Hex	12	134-7569	12	Spring Retainer, Aerator
6	134-5520	1	Pin-Dowel	13	134-6264	1	Washer-Wave
7	134-5522	1	Bearing				

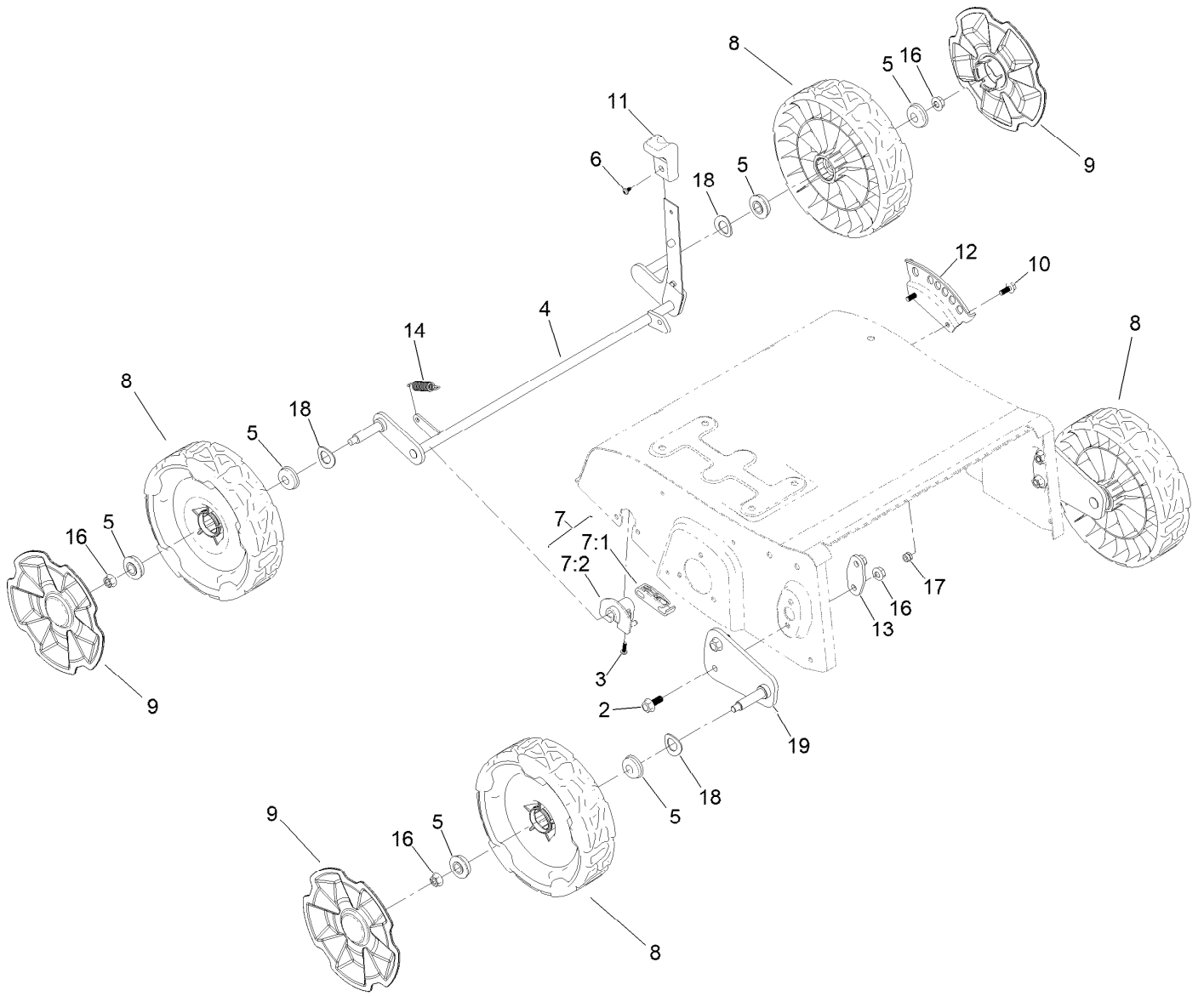
Blade Shaft Assembly



Blade Shaft Assembly (continued)

<i>Ref.</i>	<i>Part Number</i>	<i>Qty.</i>	<i>Description</i>	<i>Ref.</i>	<i>Part Number</i>	<i>Qty.</i>	<i>Description</i>
1	134-5513	1	Spacer	7	134-5519	1	Rod-Hex
2	134-5514	18	Blade-Scarifier	8	134-5520	1	Pin-Dowel
3	134-5515	17	Spacer	9	134-5521	1	Nut-Hex
4	134-5516	1	Circlip	10	134-5522	1	Bearing
5	134-5517	1	Shoulder Piece	11	134-7543	1	Bearing Housing V2
6	134-5518	1	Washer	12	134-6264	1	Washer-Wave

Traction and Suspension Assembly

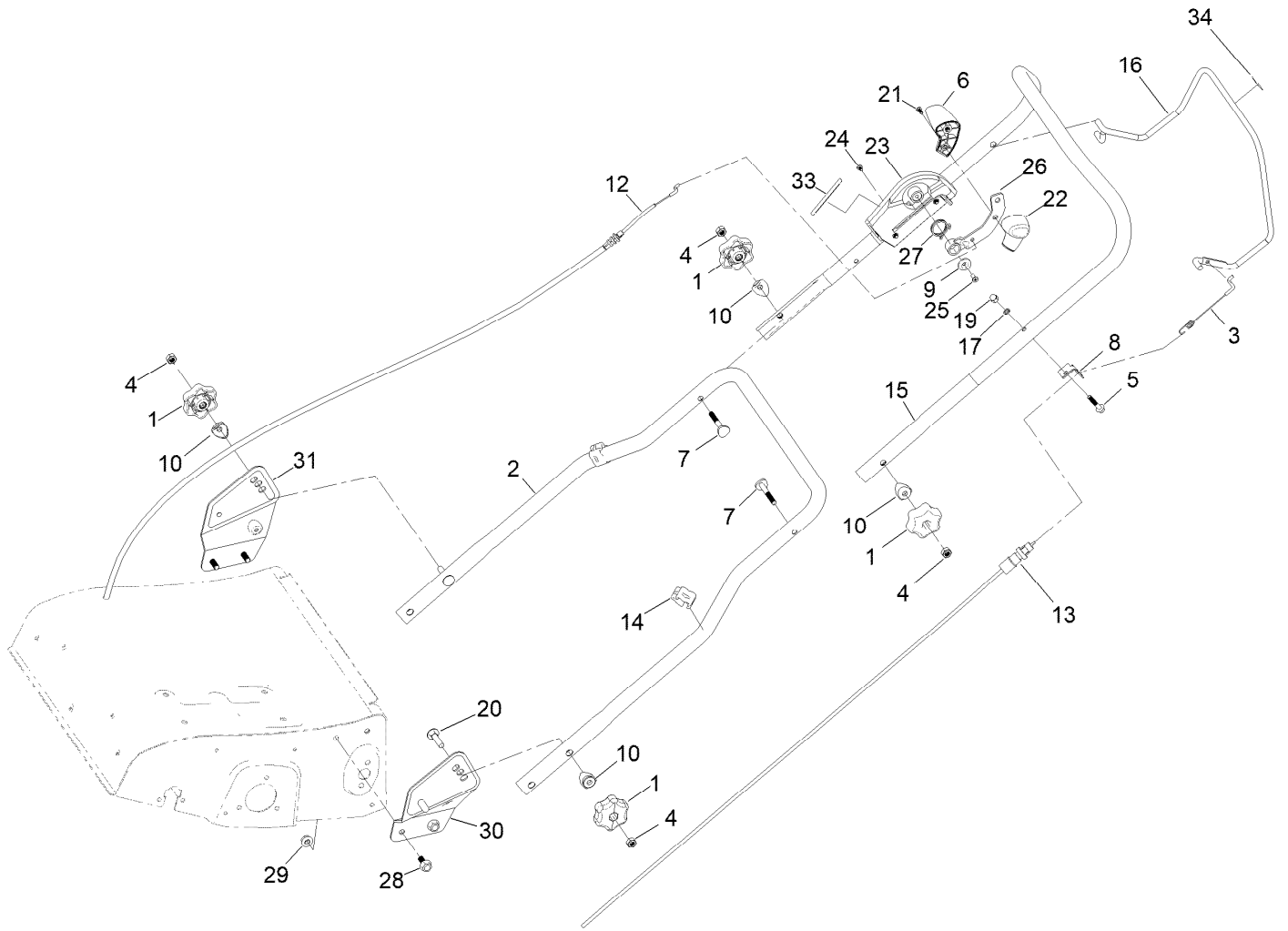


Traction and Suspension Assembly (continued)

<i>Ref.</i>	<i>Part Number</i>	<i>Qty.</i>	<i>Description</i>	<i>Ref.</i>	<i>Part Number</i>	<i>Qty.</i>	<i>Description</i>
2	134-5460	4	Bolt-Flange, Hex	9	134-5352	4	Hub Cap
3	134-5467	2	Screw-Cross Recessed Pan Head	10	134-3739	2	Screw-HHF
4	134-7544	1	Front Axle ASM	11	134-5570	1	Handle-Lever, HOC
5	134-5499	8	Bearing-Steel	12	134-5616	1	Plate-Adjustment, HOC
6	134-5504	1	Screw-Pan Head	13	134-5547	2	Plate-Axle, Rear
7		2	Front Axle Seat Assy ●	14	134-5580	1	Spring
7:1	134-5510	1	Clip-Axle	16	134-5625	8	Nut-Flange, Hex
7:2	134-5511	1	Clip-Axle	17	09438	2	Nut-Nyloc
8	134-5333	4	Wheel, 8"	18	134-6112	4	Wave Washer
				19	134-6104	2	Plate-Axle, Rear

● Not serviced separately

Handle and Control Assembly

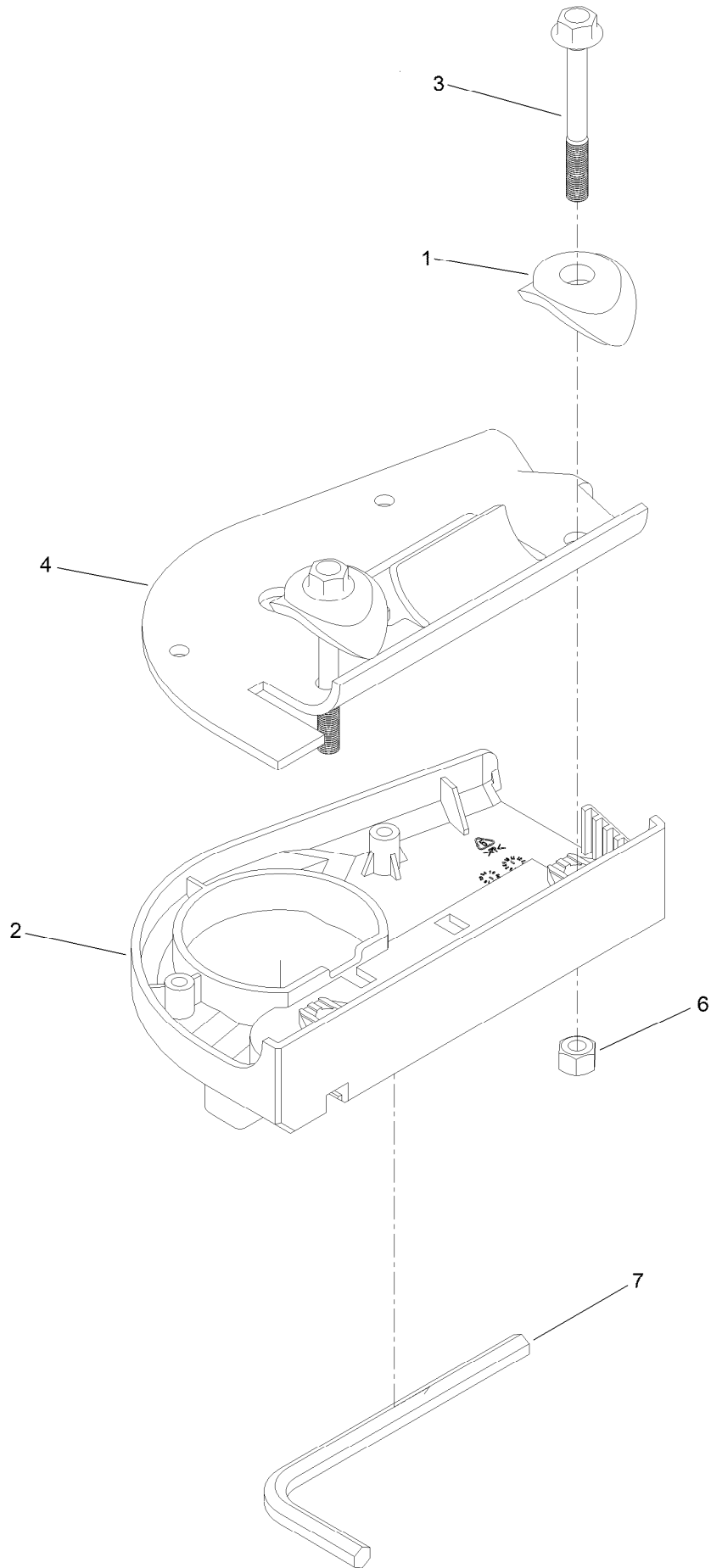


Handle and Control Assembly (continued)

<i>Ref.</i>	<i>Part Number</i>	<i>Qty.</i>	<i>Description</i>	<i>Ref.</i>	<i>Part Number</i>	<i>Qty.</i>	<i>Description</i>
1	134-5465	4	Knob-Handle	21	134-5571	2	Screw-Pan Head
2	134-5474	1	Bar-Handle, Lower	22	134-5615	1	Handle-Plastic, Lever Raise Tine
3	134-5476	1	Cable- Lever, Engine Brake	23		1	Tine Raise Lever Bracket Assy ●
4	09443	4	Nut M8 Plain	24	134-5504	2	Screw-Pan Head
5	134-3742	1	Screw-HHF	25	134-5552	1	Screw-Head, Countersunk
6	134-5502	1	Lever Handle Section	26	134-6320	1	Lever Arm Plate Assy
7	134-5503	2	Bolt-Flat Head	27	134-5619	1	Spring
8	134-5505	1	Bracket-L	28	134-5460	4	Bolt-Flange, Hex
9	134-5506	1	Washer-Lever	29	134-5587	4	Nut-Flange, Hex
10	134-5508	4	Washer-Curve	30	134-6102	1	Lower Handle Bracket Plate Lhs
12	134-5531	1	Cable-Lever, Tine Raise	31	134-6103	1	Lower Handle Bracket Plate Rhs
13	134-5543	1	Cable-Lever, Engine Brake	33	134-5698	1	Decal -Transport Lever
14	134-5549	2	Clamp-Cable	34	134-6097	1	Decal - Stop
15	134-5581	1	Bar-Handle, Upper				
16	134-5575	1	Lever-Brake, Engine				
17	134-5550	1	Washer-Lock, Spring				
19	134-5610	1	Nut-Cap Head				
20	134-5572	2	Bolt-Square Cup Head				

● Not serviced separately

Lever Bracket Assembly



Lever Bracket Assembly (continued)

<i>Ref.</i>	<i>Part Number</i>	<i>Qty.</i>	<i>Description</i>	<i>Ref.</i>	<i>Part Number</i>	<i>Qty.</i>	<i>Description</i>
1	134-5508	2	Washer-Curve	6	134-5562	2	Nut-Hex
2	134-5557	1	Casing - Lever	7	134-5564	1	Key- Allen, Hex
3	134-5558	2	Bolt-Flange, Hex				
4	134-5560	1	Plate-Bracket, Lever Raise Tine				

Notes:

Notes:



Count on it.