



**Count on it.**

**Parts Catalog**

**46cm**

**Lawn Mower**

Model No. 20944—Serial No. 321000001 and Up



# Ordering Replacement Parts

To order replacement parts, please supply the part number, the quantity, and the description of each part desired.

## Understanding Reference Numbers

Each identified part in an illustration has a reference number. The reference number for a part also appears in the parts list, along with other information about the part.

This catalog uses two special reference number formats, one to indicate parts in a service assembly and another to indicate the quantity of a given part in an illustration.

## Service Assembly Reference Numbers

Parts in service assemblies have reference numbers in the form a:b. The a represents the reference number of the entire service assembly and the b represents a sequential number unique to each part within the service assembly.

For example, a wheel assembly might be identified by reference number 6, the tire by 6:1, the valve by 6:2, and the wheel by 6:3. When you order the assembly identified by reference number 6, you receive all parts identified by reference numbers 6:1, 6:2, and 6:3. However, you may also order any part individually. Reference numbers of this type appear in illustration and in parts lists.

## Reference Numbers Indicating Quantity

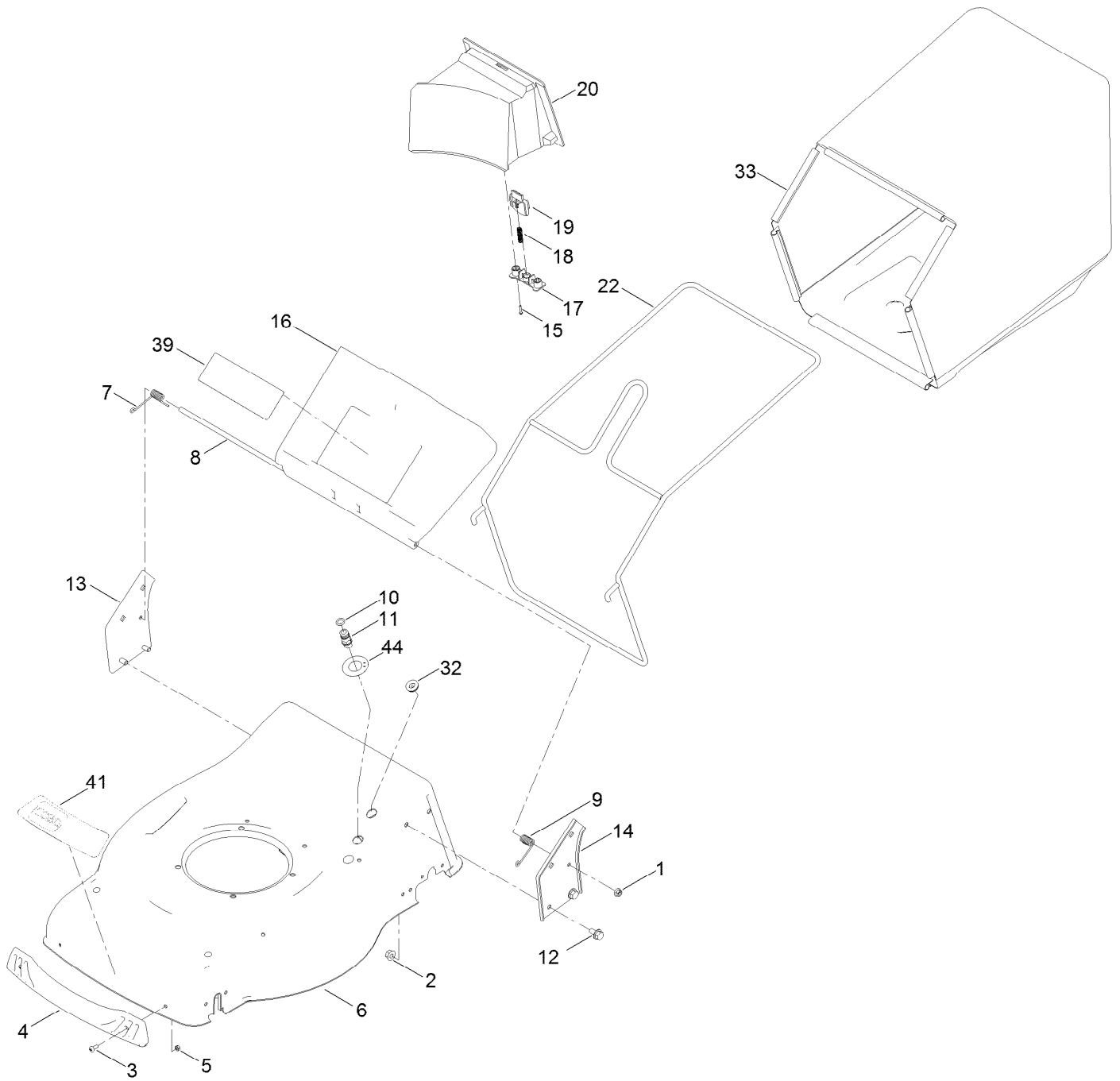
In an illustration, if a reference number indicates more than one part, the reference number has the form nX y. The n represents the quantity of the part, the X is the multiplication symbol, and the y represents the reference number.

For example, in an illustration, the reference number 2X 37 means that two of the parts identified by reference number 37 are indicated.

# Contents

Deck and Bag Assembly .....	4
Engine and Blade Assembly .....	6
Suspension and Wheel Assembly .....	8
Handle Assembly .....	10

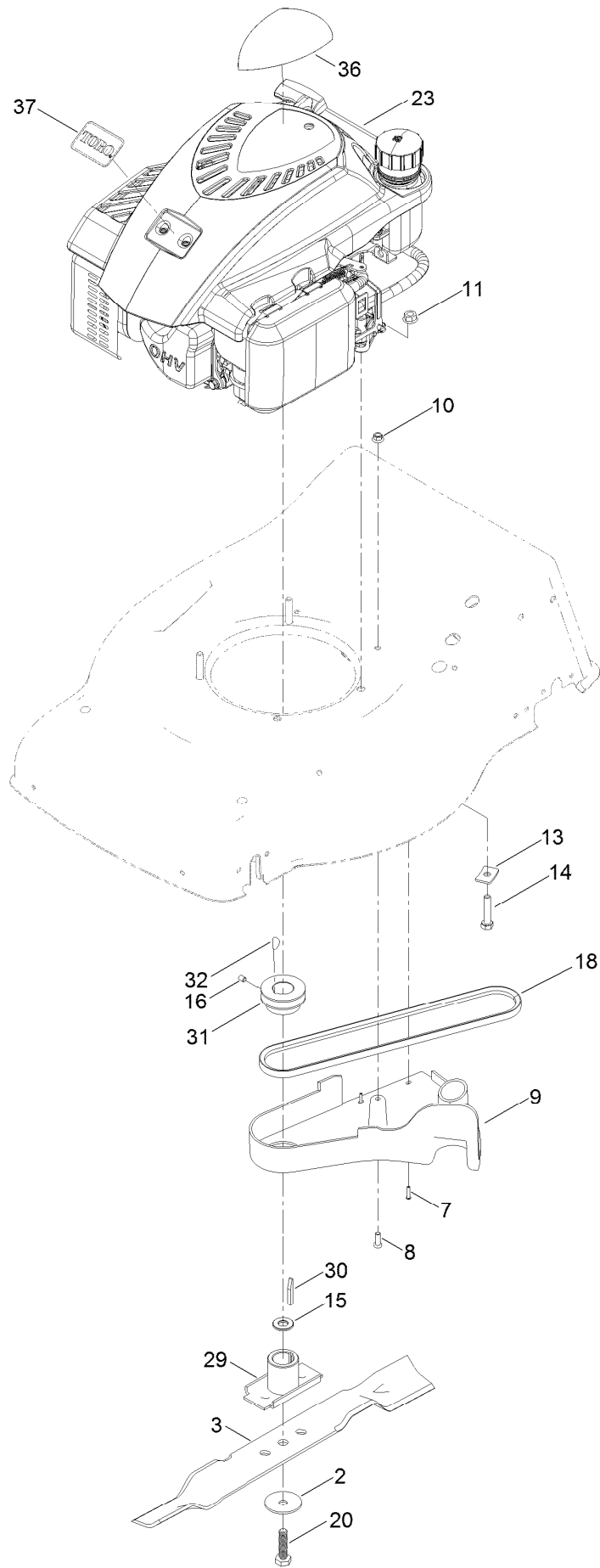
# Deck and Bag Assembly



## Deck and Bag Assembly (continued)

<i>Ref.</i>	<i>Part Number</i>	<i>Qty.</i>	<i>Description</i>	<i>Ref.</i>	<i>Part Number</i>	<i>Qty.</i>	<i>Description</i>
1	134-0117	2	Nut-Lock, Flange	15	134-0131	2	Screw-Self Driving
2	134-0118	4	Nut-Lock, Flange	16	134-0132	1	Deflector-Rear
3	134-0119	2	Screw-Tooth	17	134-0133	1	Pressing Board-Lock Button, Mulch
4	134-0120	1	Bumper-Front	18	134-0134	1	Spring-Button, Mulch
5	134-0121	2	Nut-Lock	19	134-0135	1	Lock-Button, Mulch
6	134-0122	1	Deck	20	134-0136	1	Plug-Mulch
7	134-0123	1	Spring-Twist, RH	22	134-0138	1	Frame-Bag, Grass
8	134-0124	1	Rod-Spring, Rear Deflector	32	134-0148	1	Sheath-Cable, Protective
9	134-0125	1	Spring-Twist, LH	33	134-0149	1	Bag-Grass
10	134-0126	1	O-Ring	39	134-0084	1	Decal-Safety
11	134-0127	1	Port-Wash	41	134-0060	1	Decal-Shroud
12	134-0128	4	Bolt-HH, Flange	44	134-3615	1	Decal-Port, Washout
13	134-0129	1	Bracket-Handle, RH				
14	134-0130	1	Bracket-Handle, LH				

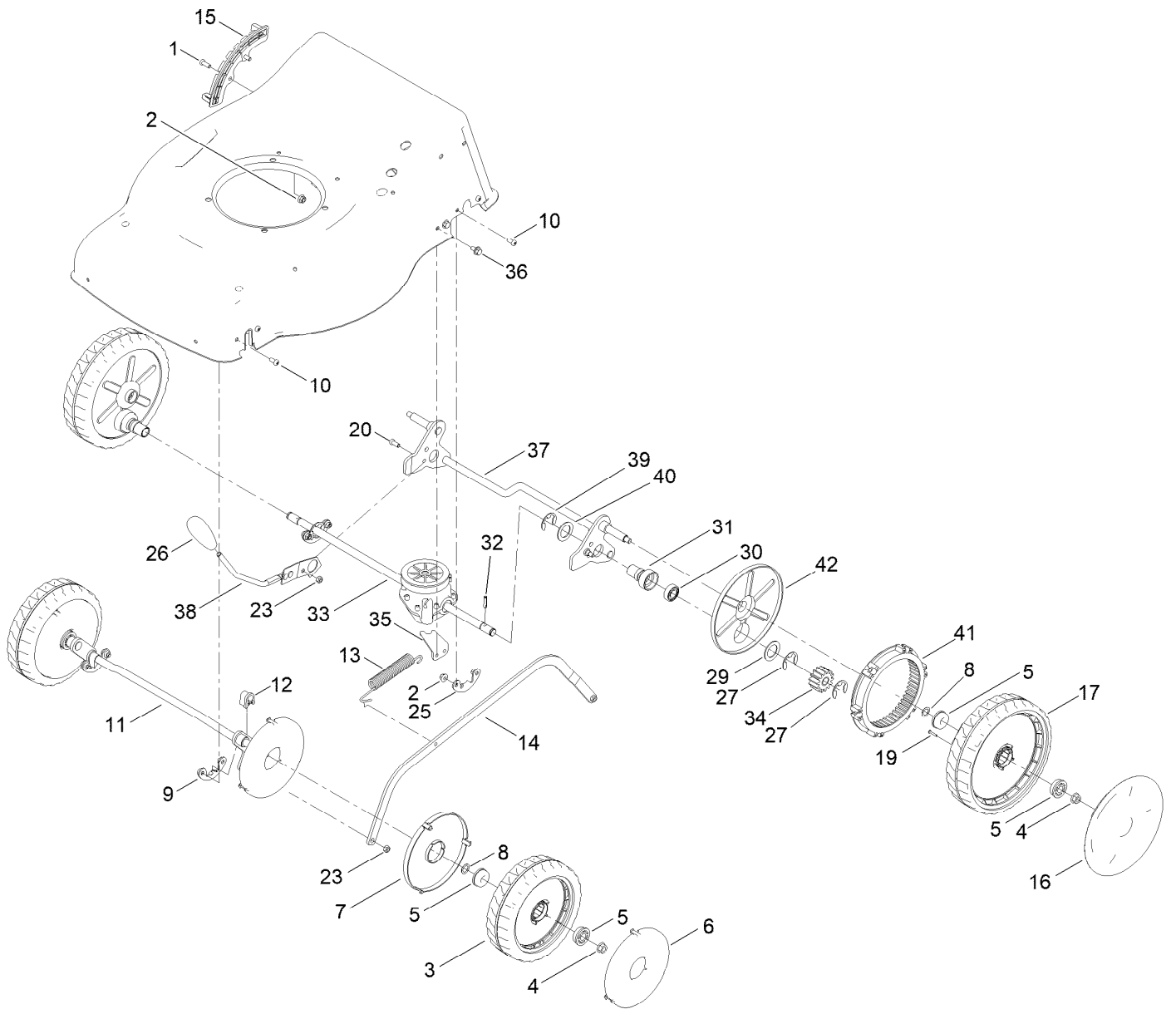
# Engine and Blade Assembly



## Engine and Blade Assembly (continued)

<i>Ref.</i>	<i>Part Number</i>	<i>Qty.</i>	<i>Description</i>	<i>Ref.</i>	<i>Part Number</i>	<i>Qty.</i>	<i>Description</i>
2	134-2016	1	Washer-Dished	16	134-0161	1	Screw-Grub
3	134-0073	1	Blade-Mulch	18	134-0163	1	Belt-Triangle
7	134-0155	2	Screw-Self Driving	20	134-0164	1	Bolt-Blade
8	134-0156	1	Screw-Tooth	23	139-0607	1	Engine-1P65Fc
9	134-0157	1	Cover-Pulley, Belt	29	134-0171	1	Support-Blade
10	134-0117	1	Nut-Lock, Flange	30	134-0172	1	Key-Flat
11	134-0118	3	Nut-Lock, Flange	31	134-0173	1	Pulley-Drive
13	134-0158	3	Washer-Square	32	134-0174	1	Key-Woodruff
14	134-2011	3	Bolt-Blade	36	120-1938	1	Decal-Shroud
15	134-0160	1	Sheath-Blade	37	134-0420	1	Logo -Toro ( 3-In-1 Models)

# Suspension and Wheel Assembly



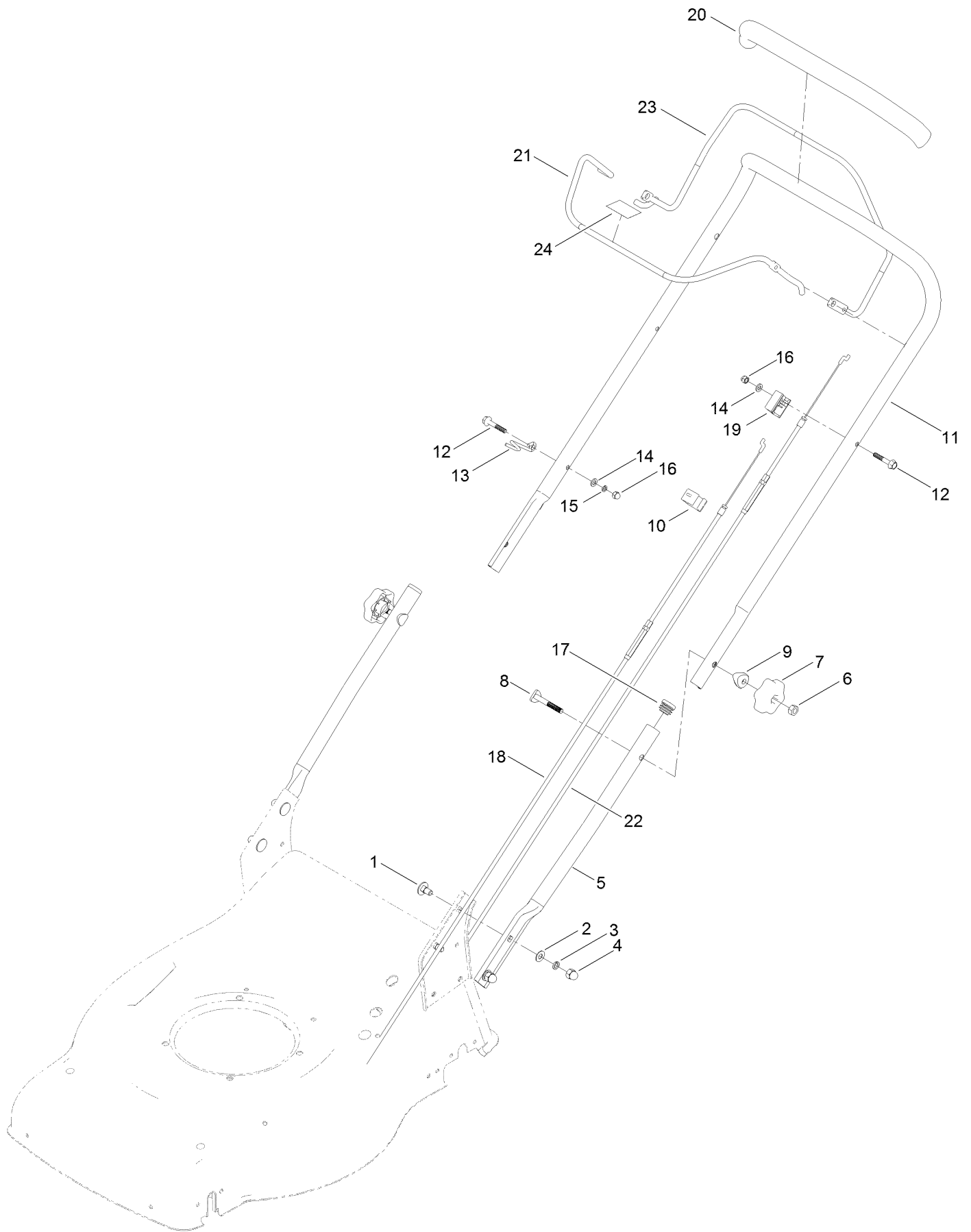


## Suspension and Wheel Assembly (continued)

<i>Ref.</i>	<i>Part Number</i>	<i>Qty.</i>	<i>Description</i>	<i>Ref.</i>	<i>Part Number</i>	<i>Qty.</i>	<i>Description</i>
1	134-0156	2	Screw-Tooth	23	134-0190	3	Nut-Lock
2	134-0117	6	Nut-Lock, Flange	25	134-0191	2	Ring-Fixed
3	134-8651	2	Dustcap, Black	26	134-0192	1	Handle-Lever, HOC
4	134-0118	4	Nut-Lock, Flange	27	134-0197	4	Washer-Spring
5	134-0176	8	Bearing	28	134-0198	1	Gear Output ASM-RH ●
6	134-8650	2	Wheel ASM	29	134-0199	2	Washer-Flat
7	134-0178	2	Cover-Wheel, Dustproof	30	134-0200	2	Bearing
8	134-0179	4	Washer-Wave	31	134-0201	2	Sheath-Bearing
9	134-0180	2	Clamp-Axle, Fixed	32	134-0202	2	Pin-Cylindrical
10	134-0181	8	Screw-Tooth	33	134-0203	1	Gearbox
11	134-0182	1	Front Wheel Axis ASM	34	134-0204	1	Gear Output ASM-LH
12	134-0183	2	Ring-Fixed	35	134-0205	1	Bracket-Location
13	134-0184	1	Spring-Tension	36	134-0206	2	Bolt-HH, Flange
14	134-0185	1	Bracket-Connecting, HOC	37	134-0207	1	Rear Axle Shaft ASM
15	134-0186	1	Board-Adjuster, HOC	38	134-0208	1	Handle ASM
16	134-0187	2	Cap-Hub (8)	39	134-0209	2	Washer-Spring
17	134-0188	2	Wheel ASM (8)	40	134-0210	1	Washer
19	134-0131	6	Screw-Self Driving	41	134-0211	2	Gear Ring
20	134-0189	1	Screw-Pan, Cross	42	134-0212	2	Cover-Wheel, Dustproof

● Not illustrated

# Handle Assembly



## Handle Assembly (continued)

<i>Ref.</i>	<i>Part Number</i>	<i>Qty.</i>	<i>Description</i>	<i>Ref.</i>	<i>Part Number</i>	<i>Qty.</i>	<i>Description</i>
1	134-0219	4	Bolt	13	134-0231	1	Hook-Cable
2	09475	4	Washer	14	09472	2	Washer-Plain
3	03469	4	Washer-Spring	15	09474	1	Washer-Spring
4	134-0222	4	Nut-Lid	16	134-0234	2	Nut-Lid
5	134-0223	2	Handlebar-Lower	17	134-0235	2	Plug-Tube
6	134-0224	2	Nut-Hex	18	134-0236	1	Cable-Brake, Engine
7	134-0225	2	Knob-Rotary	19	134-0237	1	Cable-Block, Fixed
8	134-0226	2	Bolt-Flat Head	20	134-0238	1	Grip-Handle
9	134-0227	2	Washer-Curve	21	134-0239	1	Lever-Engine
10	134-0228	1	Cable Clamp	22	134-0240	1	Cable-Clutch
11	134-0229	1	Handlebar-Upper	23	134-0241	1	Lever-Clutch, Gearbox
12	134-0230	2	Bolt-HH, Flange	24	H295159	1	Decal-Stop



**Count on it.**