



Count on it.

Parts Catalog

**Z Master® Professional 5000
Series Riding Mower**

**with 60in TURBO FORCE® Side Discharge
Mower**

Model No. 72910—Serial No. 416303729 and Up



Ordering Replacement Parts

To order replacement parts, please supply the part number, the quantity, and the description of each part desired.

Understanding Reference Numbers

Each identified part in an illustration has a reference number. The reference number for a part also appears in the parts list, along with other information about the part.

This catalog uses two special reference number formats, one to indicate parts in a service assembly and another to indicate the quantity of a given part in an illustration.

Service Assembly Reference Numbers

Parts in service assemblies have reference numbers in the form a:b. The a represents the reference number of the entire service assembly and the b represents a sequential number unique to each part within the service assembly.

For example, a wheel assembly might be identified by reference number 6, the tire by 6:1, the valve by 6:2, and the wheel by 6:3. When you order the assembly identified by reference number 6, you receive all parts identified by reference numbers 6:1, 6:2, and 6:3. However, you may also order any part individually. Reference numbers of this type appear in illustration and in parts lists.

Reference Numbers Indicating Quantity

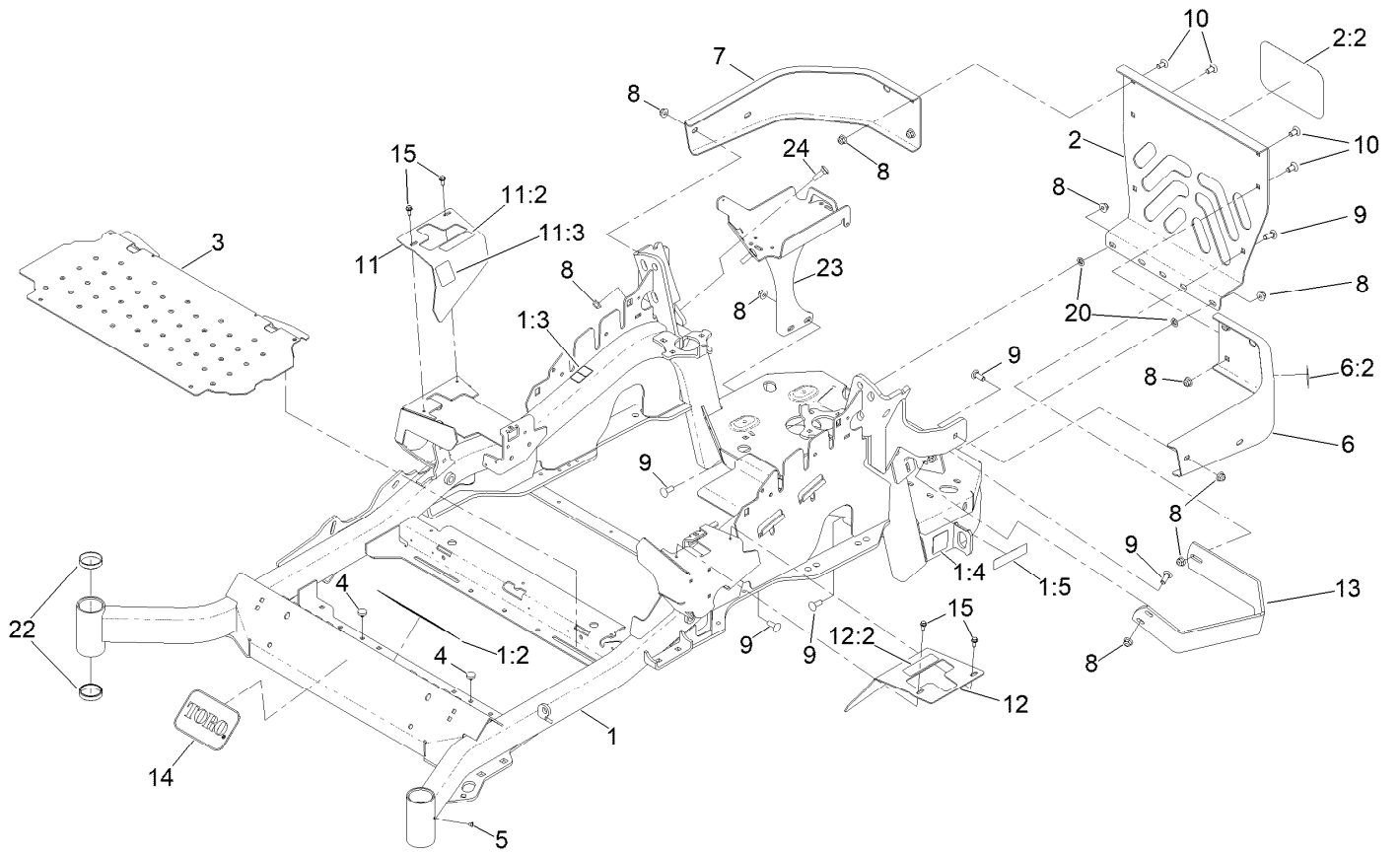
In an illustration, if a reference number indicates more than one part, the reference number has the form nX y. The n represents the quantity of the part, the X is the multiplication symbol, and the y represents the reference number.

For example, in an illustration, the reference number 2X 37 means that two of the parts identified by reference number 37 are indicated.

Contents

Frame Assembly	4
Roll-Over Protection System Assembly No. 116-0231	6
Caster Fork and Wheel Assembly	8
Hydraulic Drive Assembly	10
Pump Idler Assembly No. 116-1255	12
LH Hydro Assembly No. 135-7903	14
RH Hydro Assembly No. 135-7904	16
Rear Wheel Assembly	18
Park Brake Assembly	20
Fuel System Assembly	22
Fuel Tank Assembly No. 135-0643	24
Seat Mounting Assembly	26
Seat Assembly No. 147-4984	28
Motion Control Assembly	30
Console Assembly	32
Electrical Assembly	34
Deck Lift Assembly	36
Height-of-Cut Assembly No. 109-7438	38
Engine, Clutch and Muffler Assembly	40
Deck Assembly	42
Deck Decal Assembly No. 140-1169	44
Rubber Deflector Assembly No. 108-2792	46
Idler Arm Assembly	48
Frame Decal Assembly	50
Attachments and Accessories	52

Frame Assembly



Frame Assembly (continued)

<i>Ref.</i>	<i>Part Number</i>	<i>Qty.</i>	<i>Description</i>	<i>Ref.</i>	<i>Part Number</i>	<i>Qty.</i>	<i>Description</i>
1	142-7265	1	Mainframe Service ASM - 60	9	3231-22	9	Screw-CARR
1:2	132-0871	1	Decal-Danger	10	3231-21	4	Screw-CARR
1:3	106-5517	2	Decal-Warning	11	116-5899	1	RH Motion Control Cover ASM
1:4	106-2655	2	Decal-Hazard, Pinched Finger	11:2	99-8936	1	Decal-Control, Motion
1:5	133-8062	1	Decal-Spark Arrestor	11:3	116-5988	1	Decal-Park Brake, CE
2	115-7410	1	Rear Guard ASM	12	116-0580	1	LH Motion Control Cover ASM
2:2	67-7320	1	Decal	12:2	99-8936	1	Decal-Control, Motion
3	116-8898-01	1	Floorpan	13	126-2067-03	1	Guard-Muffler
4	1-513658	2	Bumper	14	68-3640	1	Decal
5	1-811010	2	Plug	15	32144-10	4	Screw-HWH
6	116-0180	1	LH Bumper ASM	20	107-3154	2	Nut-Push
6:2	106-5517	1	Decal-Warning	22	1-543508	4	Cup-Bearing
7	116-0057-03	1	Bumper-RH	23	142-6404-01	1	Battery Mount ASM [red]
8	104-8301	15	Nut-HF, NI	24	3231-25	2	Bolt-CARR

Roll-Over Protection System Assembly No. 116-0231



Roll-Over Protection System Assembly No. 116-0231 (continued)

<i>Ref.</i>	<i>Part Number</i>	<i>Qty.</i>	<i>Description</i>	<i>Ref.</i>	<i>Part Number</i>	<i>Qty.</i>	<i>Description</i>
1		1	Leg-ROPS, LH ●	8	3233-10	2	Screw-CARR
2		1	Leg-ROPS, RH ●	9	325-35	4	Screw-HH
3	109-6653	2	Spacer	10	109-9505	4	Washer-Spring
4		1	Upper ROPS ASM ●	11	109-9233	1	Bumper-Push-In, Rubber
4:2	107-3069	1	Decal-Warning	12	117-0346	1	Decal-Caution, Fuel Vent
5	109-5337	2	Bumper-ROPS	14	116-0960	2	Spacer
6	116-0104	2	Pin-Spring	15	325-13	2	Screw-HH
7	99-5107	8	Nut-Lock	16	125-8067	1	Plug-Plastic

● Not serviced separately

Caster Fork and Wheel Assembly



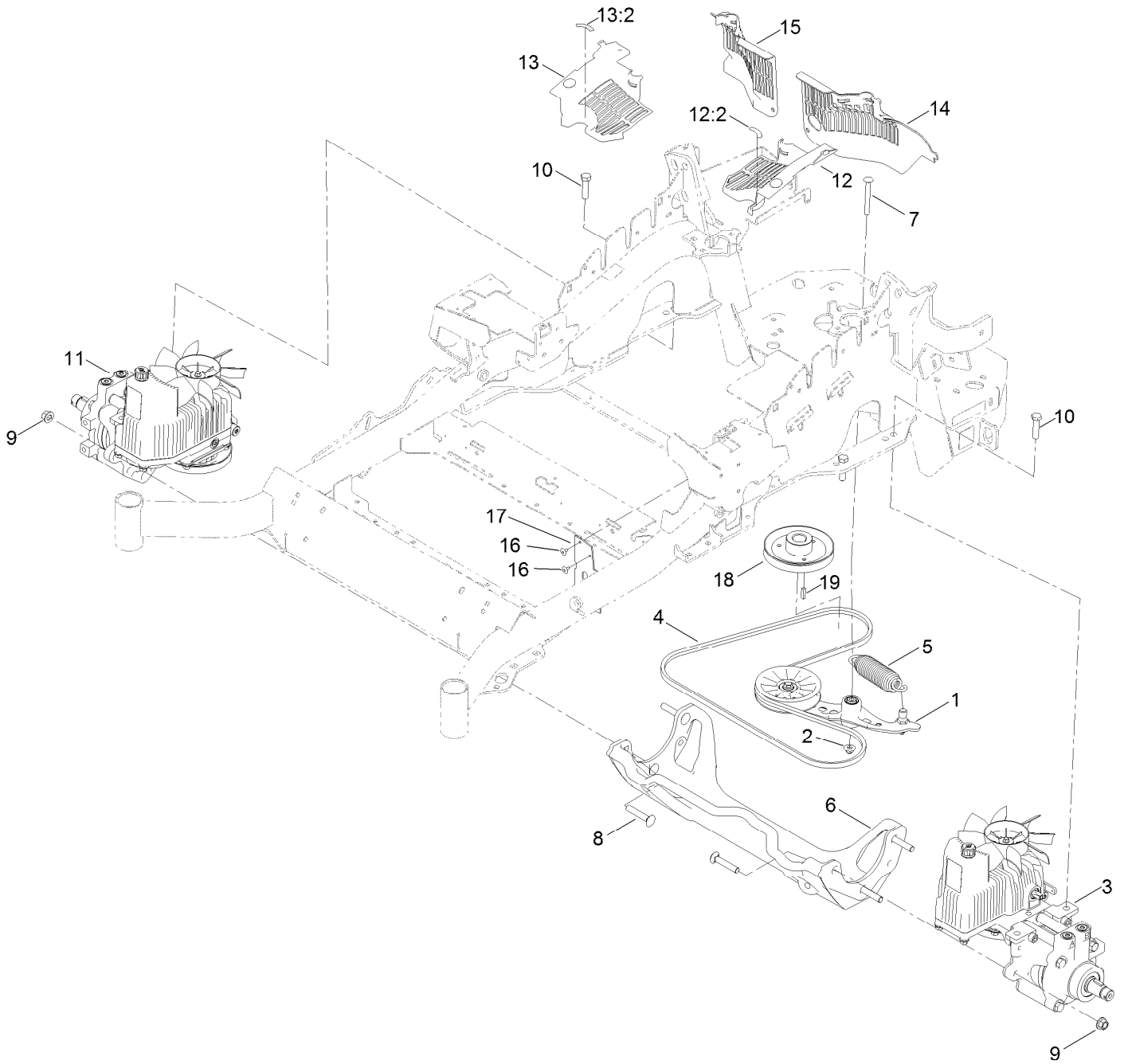
Caster Fork and Wheel Assembly (continued)

<i>Ref.</i>	<i>Part Number</i>	<i>Qty.</i>	<i>Description</i>	<i>Ref.</i>	<i>Part Number</i>	<i>Qty.</i>	<i>Description</i>
1	1-543509	2	Bearing-Roller, Tapered	5:2:3	103-3051	1	Spacer-Nut ■
2	116-5647	1	Seal-Grease	5:2:4	126-5361	1	Axle Caster ASM
3	1-633508	3	Washer-Bellville	5:2:5		1	Wheel And Tire ASM ●
4	116-6707-01	1	Caster	5:2:5:1	1-633584	2	Bearing-Cup
5	127-9528	1	Wheel And Axle ASM	5:3	325-39	1	Screw-HH
5:1	103-2768	2	Guard-Seal	5:4	3296-23	1	Nut-Lock, NI
5:2		1	Wheel And Bearing ASM ●	6	103-4882	1	Cap-Grease
5:2:1	1-633585	2	Bearing-Cone, Taper	7	3296-51	1	Nut-Lock, NI
5:2:2	103-0063	2	Seal-Caster				

● Not serviced separately

■ Use Pro-Lock, Nut Type (P/N 1-840022, .5ml tube) on threads.

Hydraulic Drive Assembly



Hydraulic Drive Assembly (continued)

<i>Ref.</i>	<i>Part Number</i>	<i>Qty.</i>	<i>Description</i>	<i>Ref.</i>	<i>Part Number</i>	<i>Qty.</i>	<i>Description</i>
1	116-1255	1	Pump Idler ASM	13	116-0171	1	RH Hydro Guard ASM
2	109-6658	1	Nut-Flange, NI	13:2	116-8726	1	Decal-Oil, Hydro
3	135-7903	1	Hydro-LH	14	109-9057	1	Guard-Hydro, Rear (LH)
4	126-9835	1	Belt-V	15	109-9058	1	Guard-Hydro, Rear (RH)
5	116-6317	1	Spring-Extension	16	1-803035	2	Rivet-Pop
6	116-7558	1	Cradle-Hydro	17	116-2362	1	Deflector-Air Flow
7	116-1502	1	Bolt-Shoulder, Carriage	18	142-9445	1	Sheave, W/Hub
8	126-0095	6	Screw-CARR	19	1-807259	1	Key
9	99-5107	6	Nut-Lock	99	114-4713	1	Hypr-Oil 500 (Quart) ●
10	325-8	4	Screw-HH	99	114-4714	1	Hypr-Oil 500 (Gallon) ●
11	135-7904	1	Hydro-RH	99	114-4715	1	Hypr-Oil 500-5 (5 Gallon) ●
12	116-0170	1	LH Hydro Guard ASM	99	117-0390	1	Filter-Hydro ●
12:2	116-8726	1	Decal-Oil, Hydro				

● Not illustrated

Pump Idler Assembly No. 116-1255



Pump Idler Assembly No. 116-1255 (continued)

<i>Ref.</i>	<i>Part Number</i>	<i>Qty.</i>	<i>Description</i>	<i>Ref.</i>	<i>Part Number</i>	<i>Qty.</i>	<i>Description</i>
2	43-0940	1	Spacer	8	323-8	1	Screw-HH
3	103-3504	2	Bearing-Spherical	9	32120-10	2	Ring-Snap
4	103-3505	1	Seal-Lip, Double	10	302-19	1	Fitting-Grease
5	103-3506	1	Seal-Lip, Single	11	109-8076	1	Pulley-Idler
6	109-6658	1	Nut-Flange, NI	12	132-4724	1	Pin-Anchor, Spring
7	106-7159	2	O-Ring				

LH Hydro Assembly No. 135-7903

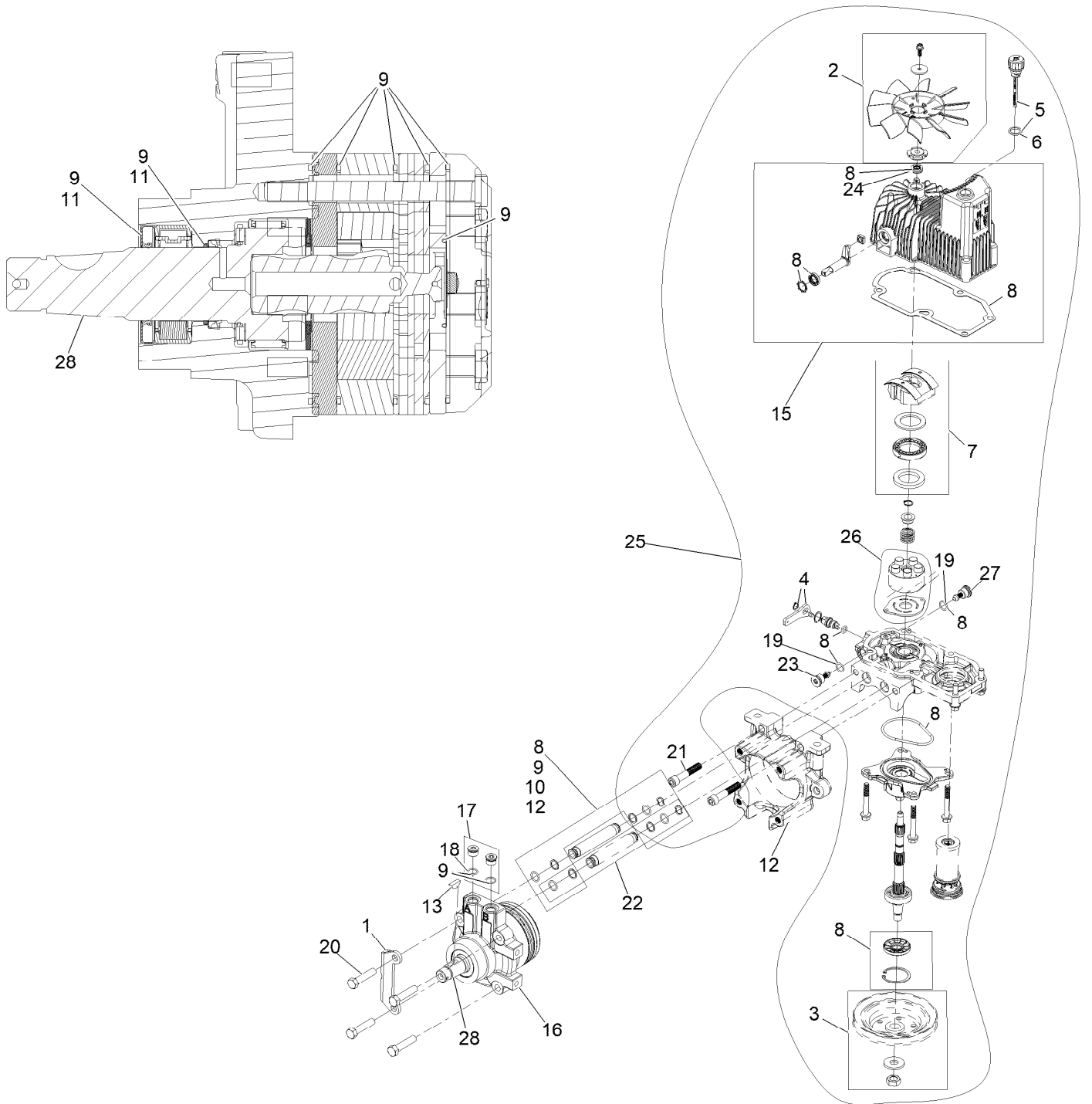


LH Hydro Assembly No. 135-7903 (continued)

<i>Ref.</i>	<i>Part Number</i>	<i>Qty.</i>	<i>Description</i>	<i>Ref.</i>	<i>Part Number</i>	<i>Qty.</i>	<i>Description</i>
2	142-3603	1	Kit, 7.8 In Fan	18	76-1900	2	O-Ring
3	116-0234	1	Pulley Kit	19	116-8662	2	O-Ring-Valve, Check
4	116-0235	1	Handle	20	116-8974	4	Screw-HH 1/2-20 X 2 1/4
5	116-0236	1	Dipstick	21	116-8975	2	Screw-HSH 1/2-20 X 2 3/4
6	116-0237	1	Gasket	22	116-9922	2	Hydraulic Tube Kit
7	116-1367	1	Swash Block Kit	23	126-7466	1	Valve-Shock
8	142-3604	1	Kit, Pump Seal	24	126-7711	1	Seal-Drive, Fan
9	116-1369	1	Motor Seal Kit	25	142-3609	1	Kit, Pump Section 12Cc LH
10	116-1370	1	Tube Seal Kit	26	142-4500	1	Kit - 12Cc Port Plate, Rotate Grp
11	116-1371	1	Output Shaft Seal Kit	27	142-4459	1	Shock Valve Orificed 3800
12	116-5469	1	Cup-Nose	28	146-3749	1	Output Shaft- TI Uht Motor
13	3257-42	1	Key-Woodruff 5/16 X 1	99	116-1373	1	Flow Test Kit ●
15	142-4460	1	Kit, Housing-Hydro LH	99	116-4245	1	Puller-Pulley ●
16	116-8915	1	Motor-Hydraulic				
17	116-7901	1	Magnetic Plugs Service Kit				

● Not illustrated

RH Hydro Assembly No. 135-7904

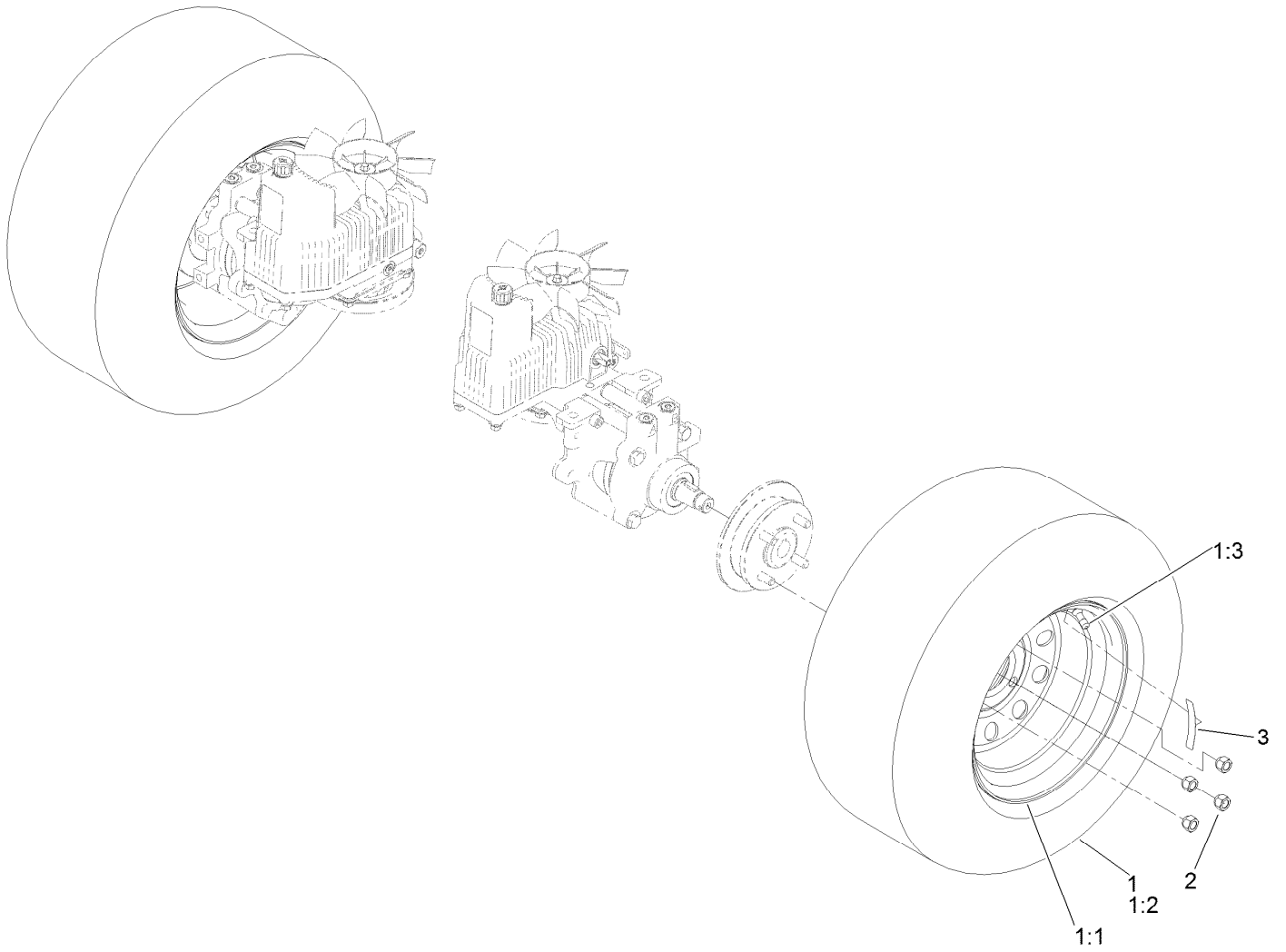


RH Hydro Assembly No. 135-7904 (continued)

<i>Ref.</i>	<i>Part Number</i>	<i>Qty.</i>	<i>Description</i>	<i>Ref.</i>	<i>Part Number</i>	<i>Qty.</i>	<i>Description</i>
1	135-7827	1	Plate, Horse Shoe Mount	17	116-7901	1	Magnetic Plugs Service Kit
2	142-3603	1	Kit, 7.8 In Fan	18	76-1900	2	O-Ring
3	116-0234	1	Pulley Kit	19	116-8662	2	O-Ring-Valve, Check
4	116-0235	1	Handle	20	116-8974	4	Screw-HH 1/2-20 X 2 1/4
5	116-0236	1	Dipstick	21	116-8975	2	Screw-HSH 1/2-20 X 2 3/4
6	116-0237	1	Gasket	22	116-9922	2	Hydraulic Tube Kit
7	116-1367	1	Swash Block Kit	23	126-7466	1	Valve-Shock
8	142-3604	1	Kit, Pump Seal	24	126-7711	1	Seal-Drive, Fan
9	116-1369	1	Motor Seal Kit	25	142-3608	1	Kit, Pump Section 12Cc RH
10	116-1370	1	Tube Seal Kit	26	142-4500	1	Kit - 12Cc Port Plate, Rotate Grp
11	116-1371	1	Output Shaft Seal Kit				
12	116-5469	1	Cup-Nose	27	142-4459	1	Shock Valve Orificed 3800
13	3257-42	1	Key-Woodruff 5/16 X 1	28	146-3749	1	Output Shaft- TI Uht Motor
15	142-4461	1	Kit, Housing-Hydro RH	99	116-1373	1	Flow Test Kit ●
16	116-8916	1	Motor-Hydraulic RH 240Cc	99	116-4245	1	Puller-Pulley ●

● Not illustrated

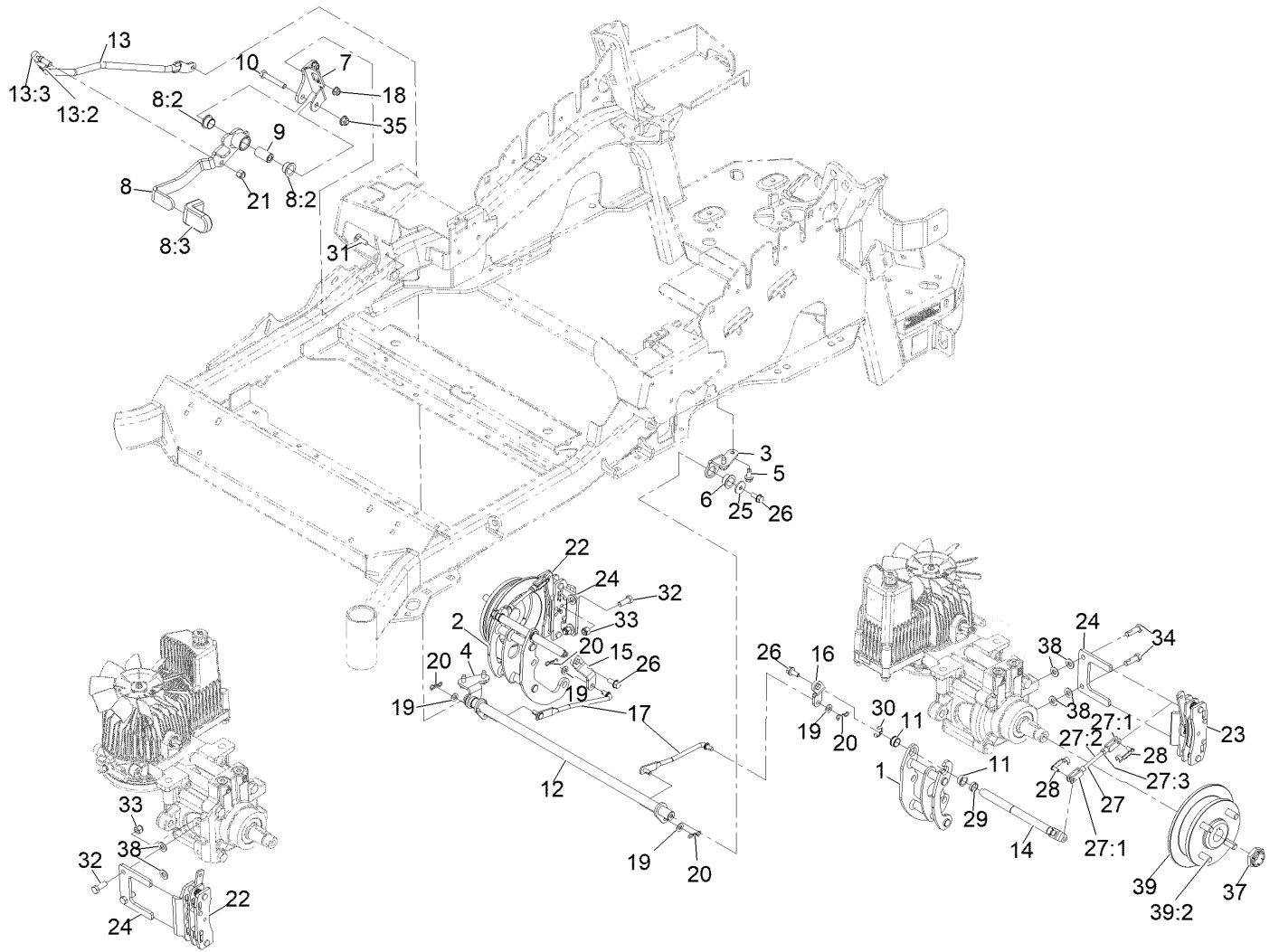
Rear Wheel Assembly



Rear Wheel Assembly (continued)

<i>Ref.</i>	<i>Part Number</i>	<i>Qty.</i>	<i>Description</i>	<i>Ref.</i>	<i>Part Number</i>	<i>Qty.</i>	<i>Description</i>
1	127-9520	2	Wheel And Tire ASM	2	242-50	8	Nut-Lug
1:1	127-9517	1	Wheel	3	126-2055	2	Decal-Torque, Wheel Hub Lug
1:2	1-633993	1	Tire				
1:3	232-27	1	Stem-Valve				

Park Brake Assembly

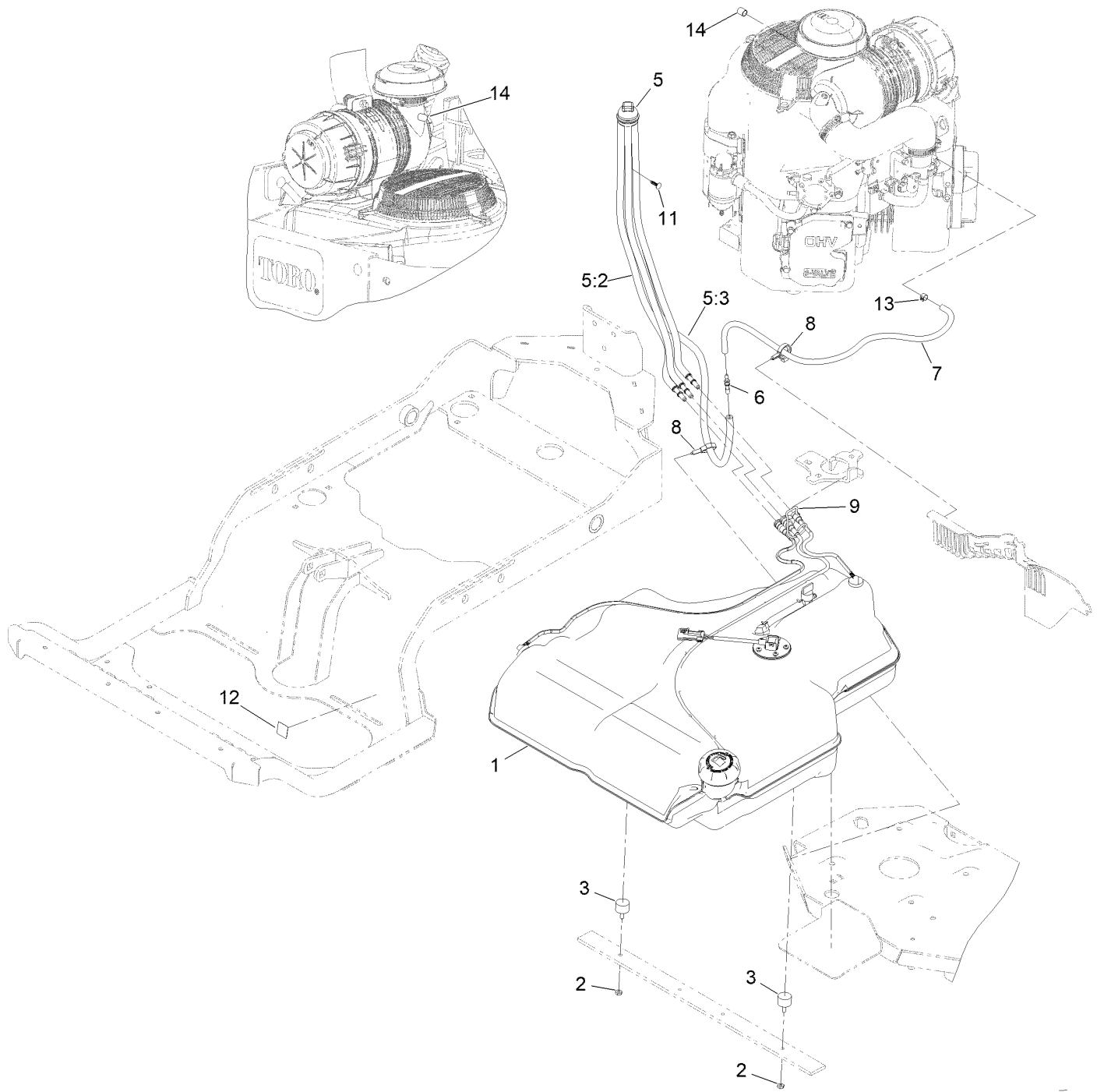


REAR VIEW OF
RIGHT HAND HYDRO

Park Brake Assembly (continued)

<i>Ref.</i>	<i>Part Number</i>	<i>Qty.</i>	<i>Description</i>	<i>Ref.</i>	<i>Part Number</i>	<i>Qty.</i>	<i>Description</i>
1	126-4248	1	Mount-Bellcrank, LH	20	119-1415	4	Pin-Cotter, Locking
2	126-4249	1	Mount-Bellcrank, RH	21	3296-6	1	Nut-Nyloc 3/8-24
3	116-9681	1	Mount-Pivot, LH	22	135-7440	1	Caliper-Brake, RH
4	116-9682	1	Mount-Pivot, RH	23	135-7441	1	Caliper-Brake, LH
5	32144-70	4	Screw-HWH 5/16-18 X 3/4 Tf	24	135-7828	2	Plate-Mount, Brake
6	109-8054	2	Bushing-Flanged	25	115-7109	2	Washer-Flat
7	116-9096-01	1	Bracket-Mount	26	98-9940	4	Screw-HHF
8	135-7565	1	Brake Lever ASM	27	126-7587	2	Rear Linkage ASM
8:2	109-8054	2	Bushing-Flanged	27:1	126-7588	2	Yoke
8:3	132-4749	1	Grip-Lever	27:2	116-9069	1	Linkage, Rear
9	116-9117	1	Pivot-Handle, Brake	27:3	3220-1	1	Nut-Jam 1/4-28
10	323-11	1	Screw-HH 3/8-16 X 2 1/4	28	126-6395	4	Pin-Clevis, Spring
11	126-6199	4	Bushing	29	126-6200	2	Spacer
12	135-7800	1	Shaft-Cross	30	32120-19	2	E-Ring
13	135-7805	1	ASM, Front Linkage	31	3230-2	2	Bolt-Carriage 5/16-18 X 1
13:2	94-7572	1	End-Tie Rod, RH	32	135-7915	2	Screw-HH,
13:3	3220-3	1	Nut-Jam 3/8-24	33	112-0236	2	Nut-Lock
14	126-4251	2	Bellcrank	34	135-7890	2	Screw-HH, Patch,
15	126-3716	1	Arm-Inner, RH	35	104-8301	1	Nut-Nyloc 3/8-16 Flg
16	126-3715	1	Arm-Inner, LH	37	116-1399	2	Locknut
17	142-6327	2	Mid-Link, Long	38	3256-24	6	Washer-3/8 SAE
18	104-8300	2	Nut-Nyloc 5/16-18 Flg	39	142-2701	2	Wheel Hub ASM
19	3256-23	4	Washer-5/16 SAE	39:2	116-1696	4	Stud-Wheel

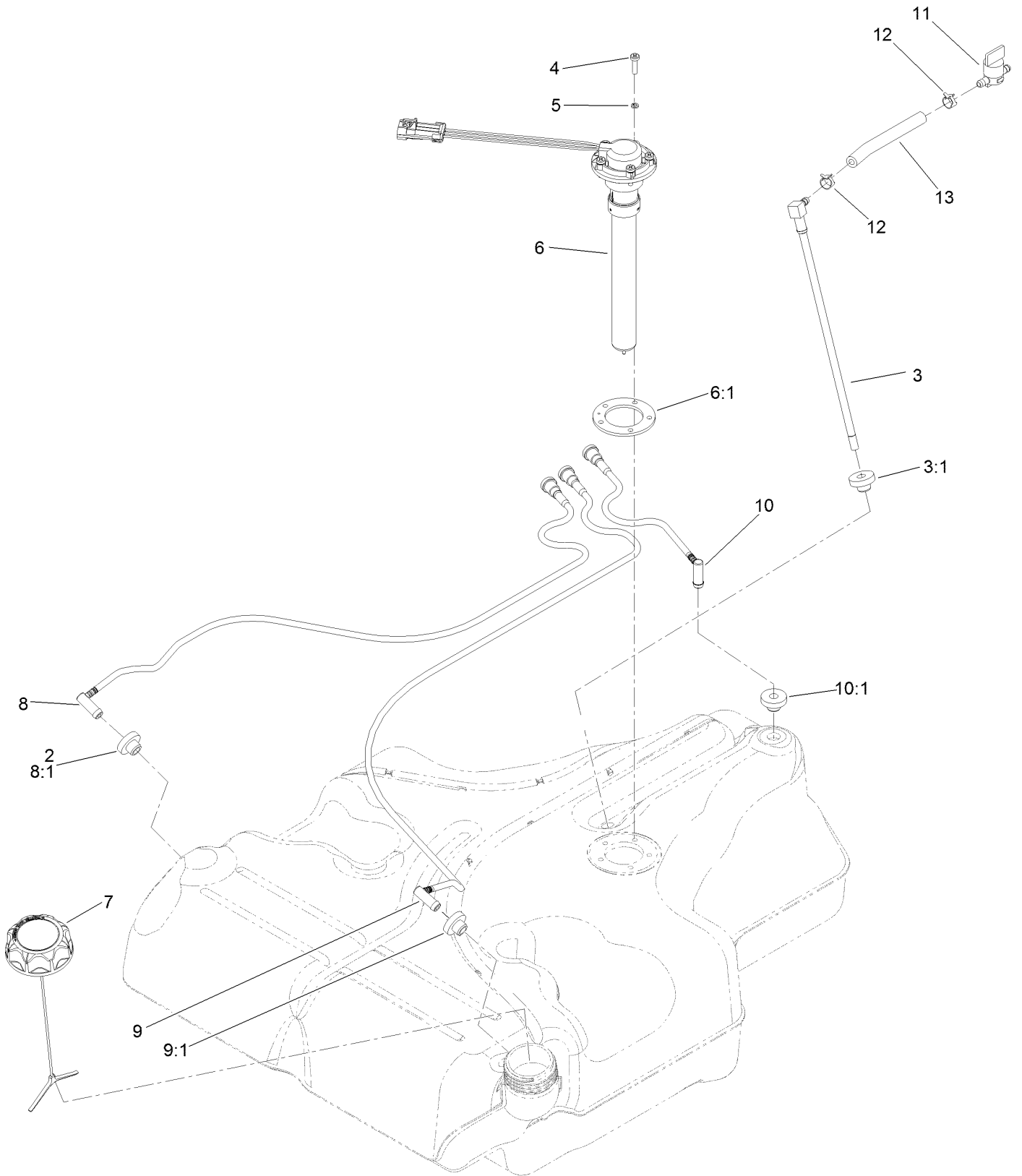
Fuel System Assembly



Fuel System Assembly (continued)

<i>Ref.</i>	<i>Part Number</i>	<i>Qty.</i>	<i>Description</i>	<i>Ref.</i>	<i>Part Number</i>	<i>Qty.</i>	<i>Description</i>
1	135-0643	1	Fuel Tank ASM	7	140-4956	1	Hose-Fuel
2	3218-1	2	Nut-Jam	8	105-1853	2	Clamp-Hose
3	1-523420	2	Bumper	9	116-6005	1	Retainer-Line, Vapor
5	127-0583	1	Fuel Manifold Vent ASM	11	125-8067	1	Plug-Plastic
5:2	109-0302	3	Hose-Fuel	12	130-6409	1	Decal-Rcm
5:3	108-5376	1	Hose-Fuel	13	2412-80	1	Clamp-Hose
6	135-5678	1	Barb-Fuel	14	116-4464	1	Plug-Port

Fuel Tank Assembly No. 135-0643



Fuel Tank Assembly No. 135-0643 (continued)

<i>Ref.</i>	<i>Part Number</i>	<i>Qty.</i>	<i>Description</i>	<i>Ref.</i>	<i>Part Number</i>	<i>Qty.</i>	<i>Description</i>
2	46-6560	4	Bushing	8:1	46-6560	1	Bushing
3	116-2459	1	Fuel Line Kit (With Grommet)	9	116-2461	1	LH Vent Line Kit (With Grommet)
3:1	46-6560	1	Bushing	9:1	46-6560	1	Bushing
4	3290-500	5	Screw-PPH	10	116-2462	1	Rear Vent Line Kit (With Grommet)
5	3253-17	5	Washer-Lock	10:1	46-6560	1	Bushing
6	126-3913	1	Float-Sender, Fuel	11	1-603770	1	Valve-Fuel
6:1	126-3950	1	Gasket-Sender	12	2412-98	2	Clamp-Hose
7	126-1789	1	Cap-Fuel, Ratcheting	13	109-0650	1	Hose-Fuel
8	116-2460	1	RH Vent Line Kit (With Grommet)				

Seat Mounting Assembly



Seat Mounting Assembly (continued)

<i>Ref.</i>	<i>Part Number</i>	<i>Qty.</i>	<i>Description</i>	<i>Ref.</i>	<i>Part Number</i>	<i>Qty.</i>	<i>Description</i>
1	147-4984	1	Seat-Suspension	9:3	125-9383	1	Decal-Service Aid
2	109-9034	4	Isolator-Seat	10	109-9881-03	1	Plate-Latch, Seat
3	104-8301	4	Nut-HF, NI	11	3230-4	1	Bolt-CARR
4	116-3860-03	1	Plate-Tilt, Seat Support	12	107-3017	1	Spring-Compression
5	3230-23	11	Bolt-CARR	13	9266934	2	Screw
6	104-8300	18	Nut-HF, NI	14	140-1215	1	Decal-Console
7	116-3859-03	1	Plate-Frame, Seat	15	116-1297	2	Screw-Shoulder
8	26-4840	4	Spacer-Pin, Mounting	16	116-0070	1	Rod-Prop
9	125-9385	1	Seat Mount ASM	17	3256-23	1	Washer-Plain

Seat Assembly No. 147-4984

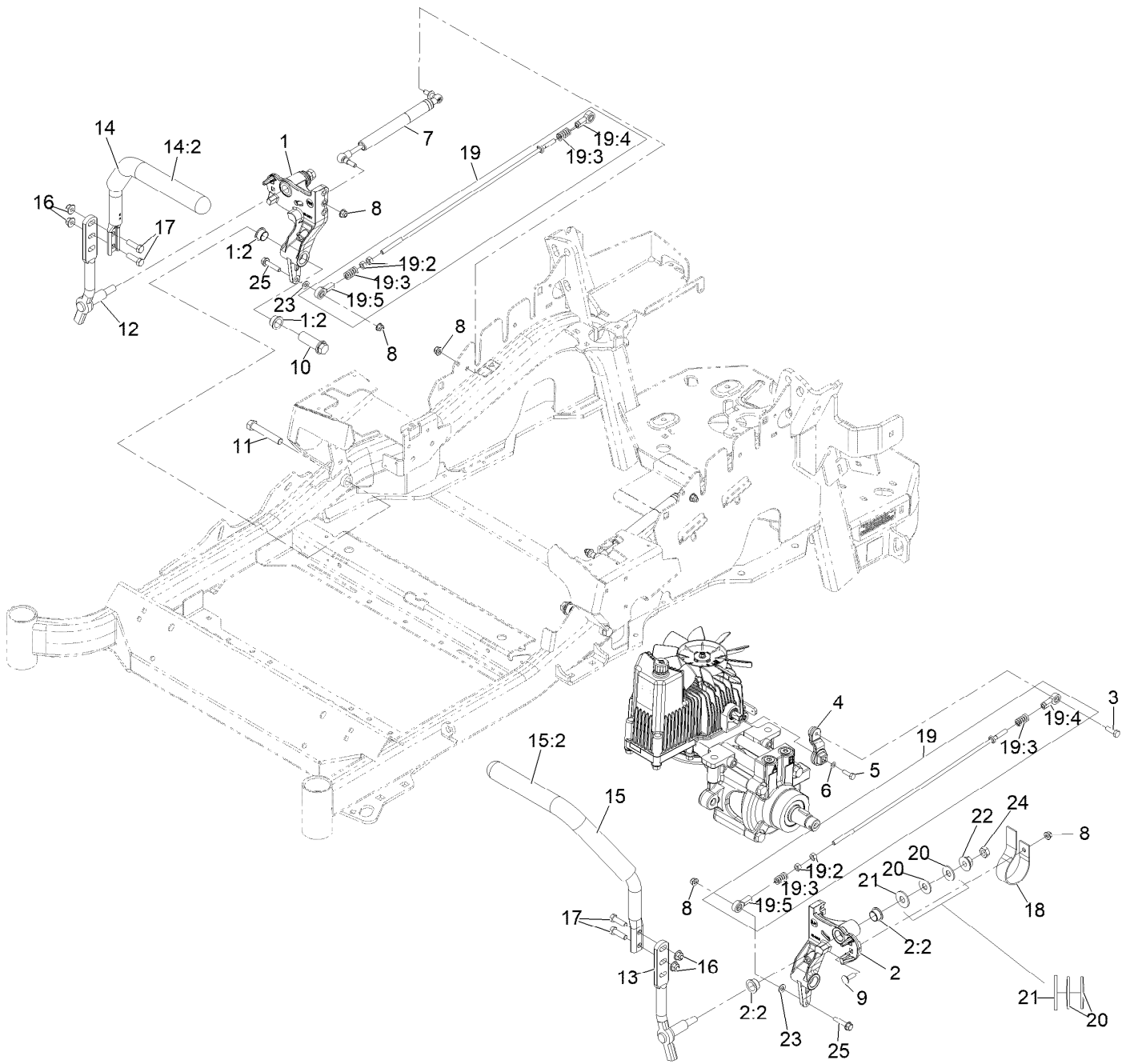


Seat Assembly No. 147-4984 (continued)

<i>Ref.</i>	<i>Part Number</i>	<i>Qty.</i>	<i>Description</i>
1	140-8012	1	Seat Track Set
2	116-5659	1	Cover-Suspension Bellows
3	140-8004	1	Cover-Back
4	140-8005	1	Cover-Cushion
5	116-8911	1	Knob-Adjuster

<i>Ref.</i>	<i>Part Number</i>	<i>Qty.</i>	<i>Description</i>
6	82-2190	1	Switch-Bail
7	147-4985	1	Armrest Kit
8	109-9802	1	Arm Rest Pad Set
9	126-2061	1	Seat Belt Service Kit

Motion Control Assembly

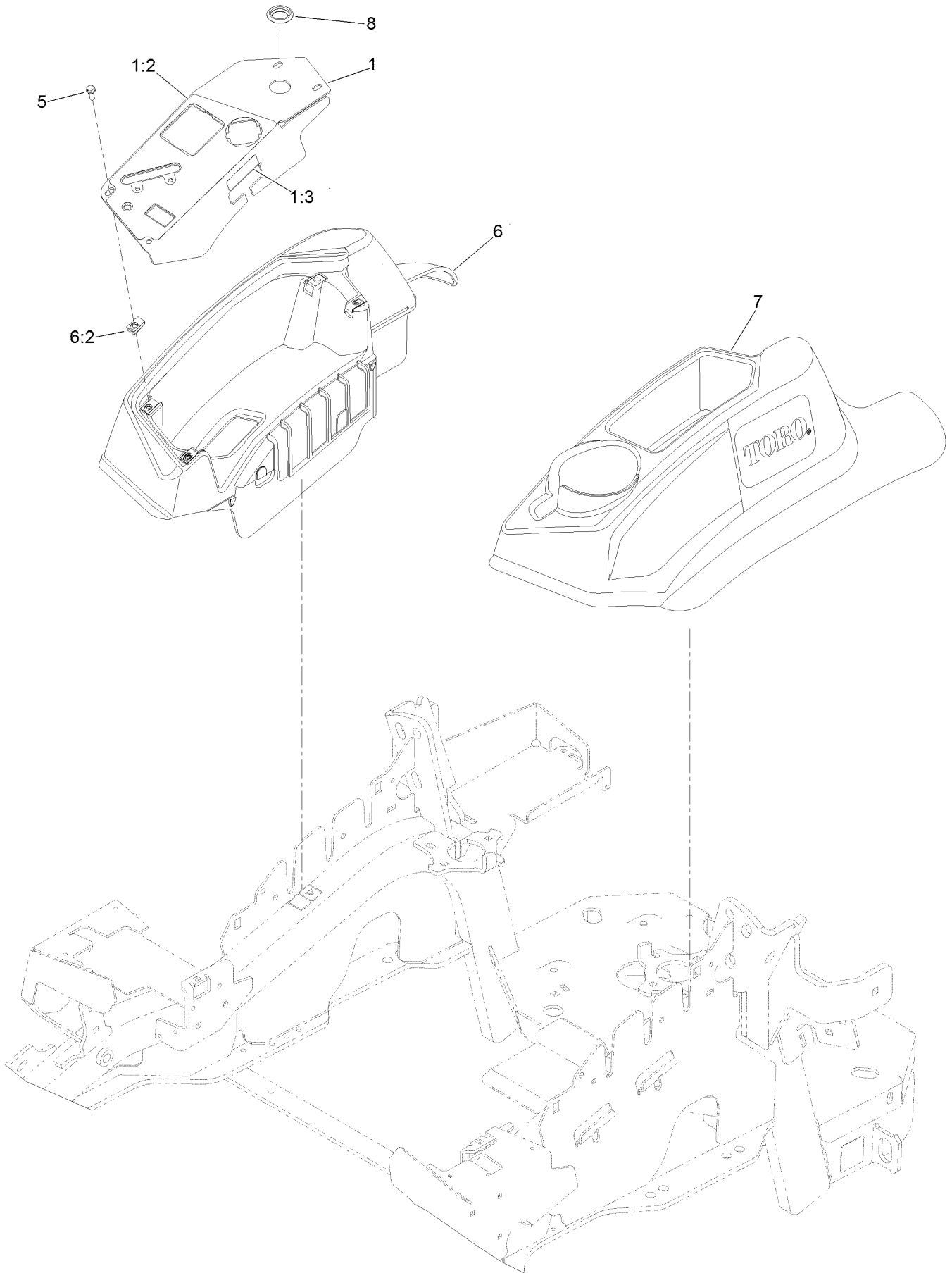


Motion Control Assembly (continued)

<i>Ref.</i>	<i>Part Number</i>	<i>Qty.</i>	<i>Description</i>	<i>Ref.</i>	<i>Part Number</i>	<i>Qty.</i>	<i>Description</i>
1	116-0880	1	RH Motion Control And Bushing ASM	14:2	109-5668	1	Grip-Lever, Control
1:2	109-8054	4	Bushing-Flanged	15	135-4373	1	LH Handle ASM
2	116-0881	1	LH Motion Control And Bushing ASM	15:2	109-5668	1	Grip-Lever, Control
2:2	109-8054	4	Bushing-Flanged	16	104-8301	4	Nut-Nyloc 3/8-16 Flg
3	116-0648	2	Screw-HH 5/16-18 X 1 W/Patch ●	17	323-7	4	Screw-HH 3/8-16 X 1 1/4
4	109-4581	2	Arm-Control, Pump	18	109-5575	2	Spring-Leaf
5	9080046	2	Screw-HH 1/4-20 X 7/8 ●	19	109-8107	2	Pump Linkage Rear ASM
6	1-303435	2	Washer-Spring Disc 1/4	19:2	3219-2	2	Nut-Hex 5/16-24
7	146-0859	2	Damper, Motion Control	19:3	1-323245	2	Spring-Compression
8	104-8300	8	Nut-Nyloc 5/16-18 Flg	19:4	1-633152	1	Balljoint
9	3230-2	2	Bolt-Carriage 5/16-18 X 1	19:5	1-543017	1	Balljoint
10	109-5891	2	Hub-Threaded	20	109-9505	4	Washer, Spring Disc 1/2
11	325-12	2	Screw-HH 1/2-13 X 3	21	3256-6	2	Washer
12	116-0039	1	Lever-Control Motion, RH	22	32128-56	2	Nut-Hex 1/2-13 Flange
13	116-0040	1	Lever-Control Motion, LH	23	3256-23	2	Washer-5/16 SAE
14	135-4371	1	RH Handle ASM	24	3218-5	2	Nut-Jam 1/2-13
				25	115-1794	2	Screw-Hex Flange 5/16-18 X 1 1/2

● Use Pro-Lock, Nut Type (P/N 1-840022, .5ml tube) on threads.

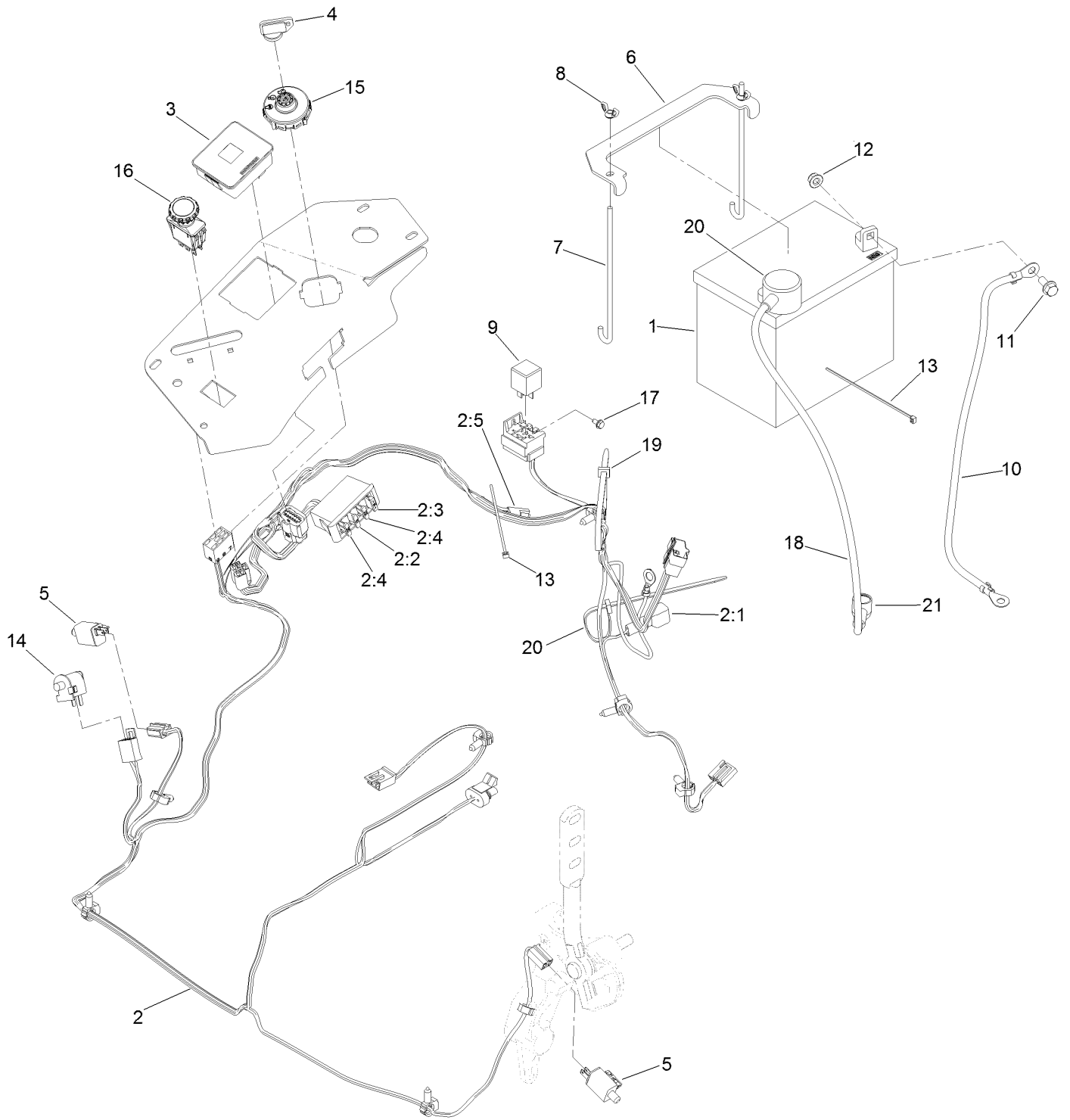
Console Assembly



Console Assembly (continued)

<i>Ref.</i>	<i>Part Number</i>	<i>Qty.</i>	<i>Description</i>	<i>Ref.</i>	<i>Part Number</i>	<i>Qty.</i>	<i>Description</i>
1	119-6663	1	Control Panel ASM	6	119-2603	1	RH Console ASM
1:2	121-7551	1	Decal-Panel, Control	6:2	107069	4	Clip
1:3	114-4466	1	Decal-Fuses	7	119-2602	1	Console-LH
5	32105-15	4	Screw-HWH	8	116-1875	1	Plug-Plastic

Electrical Assembly

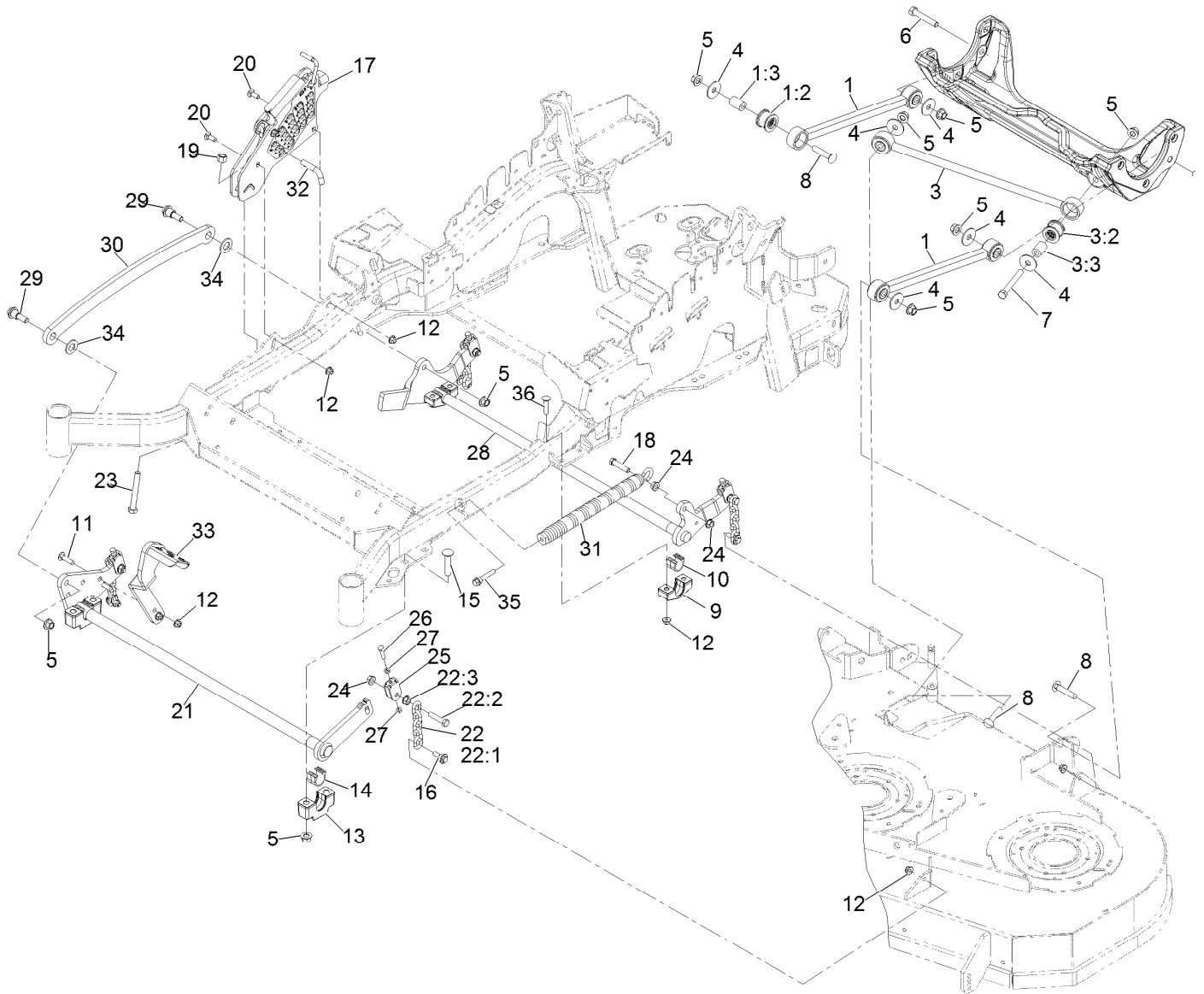


Electrical Assembly (continued)

<i>Ref.</i>	<i>Part Number</i>	<i>Qty.</i>	<i>Description</i>	<i>Ref.</i>	<i>Part Number</i>	<i>Qty.</i>	<i>Description</i>
1	104-8162	1	Battery	9	1-643275	1	Relay
2	116-6009	1	Harness-Wire, Main ●	10	114-1218	1	Cable-Battery, Negative
2:1	103-3895	1	Diode	11	3234-5	2	Screw-HHF
2:2	218-578	1	Fuse-Blade, 10 Amp	12	104-8300	2	Nut-HF, NI
2:3	109355	1	Fuse-Blade, 15 Amp	13	1-303287	2	Tie-Cable
2:4	109102	2	Fuse-Blade, 25 Amp	14	82-2190	1	Switch-Bail
2:5	116-0053	1	Cap-Plug	15	137-4100	1	Switch-Ignition
3	117-3882	1	Fuel/Hour Meter ASM	16	135-3653	1	Switch, PTO 10A
4	1-603511	1	Keys-Ignition (Spare Pair)	17	104-2065	1	Screw-HWH
4	63-8360	1	Key-Ignition	18	115-3864	1	Cable-Battery, Positive
5	110-6765	2	Switch	19	3290-378	2	Tie-Cable
6	116-0042-03	1	Strap-Tie Down, Battery	20	109-2407	1	Insulator-Battery
7	1-633651	2	Bolt-Holddown	21	1-543393	1	Insulator-Solenoid
8	1-543792	2	Wingnut				

● Use dielectric grease on all unsealed connectors and terminals only. Do not apply in sealed connectors.

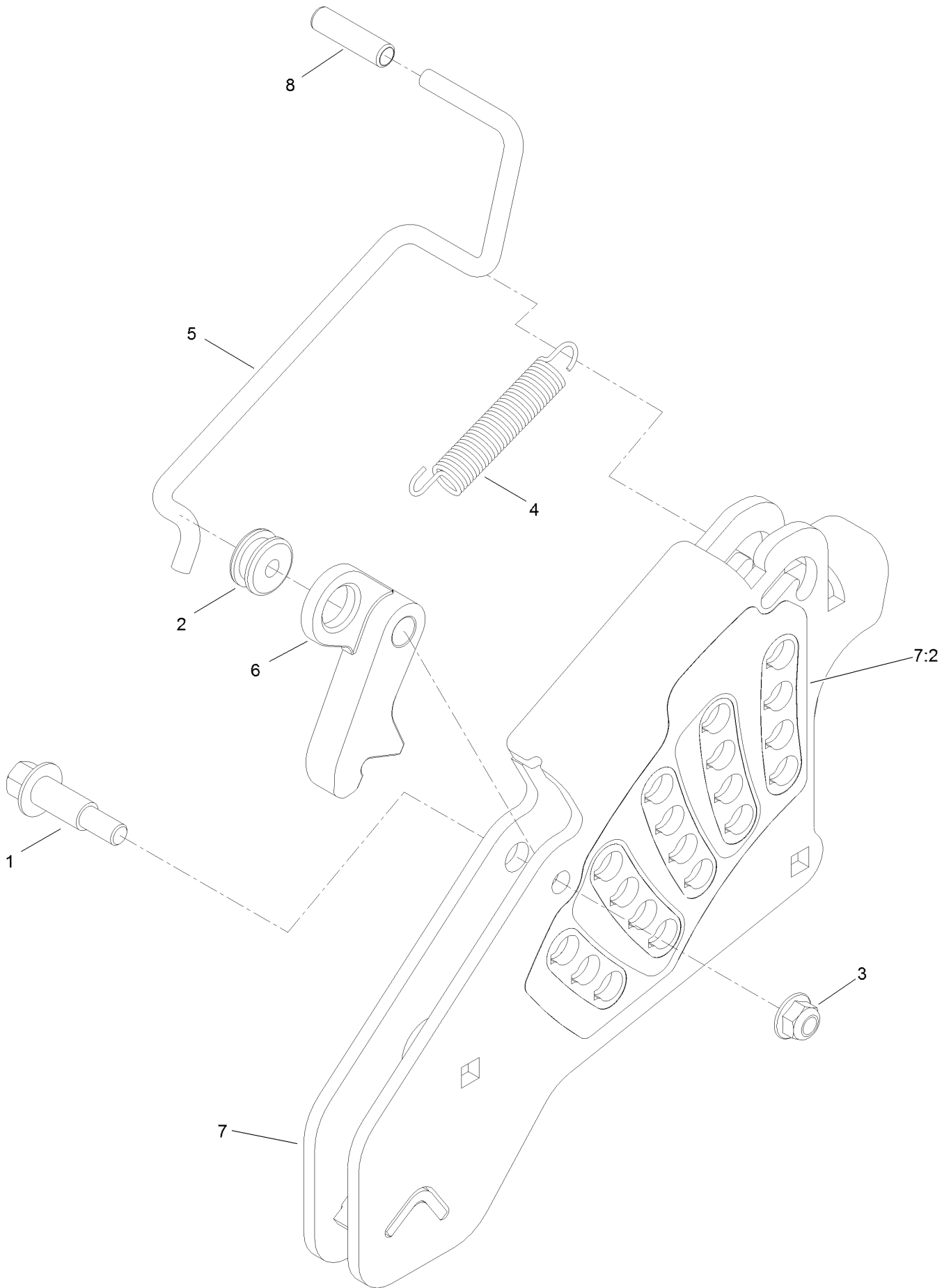
Deck Lift Assembly



Deck Lift Assembly (continued)

<i>Ref.</i>	<i>Part Number</i>	<i>Qty.</i>	<i>Description</i>	<i>Ref.</i>	<i>Part Number</i>	<i>Qty.</i>	<i>Description</i>
1	116-2031	2	Long Strut ASM	17	109-7438	1	HOC ASM
1:2	109-5009	2	Bushing-Suspension, Rubber	18	109-9065	1	Screw-HH
1:3	109-5010	2	Spacer	19	3296-23	1	Nut-Lock, NI
3	109-5013	1	Panhard Rod ASM	20	3231-2	2	Bolt-CARR
3:2	109-5009	2	Bushing-Suspension, Rubber	21	126-2475-03	1	Decklift-Front
3:3	109-5010	2	Spacer	22	116-0756	4	Deck Lift Chain ASM
4	86-1990	6	Washer-Thrust	22:1	1-633447	1	Chain-Lift, Deck
5	99-5107	12	Nut-Lock	22:2	109-9065	1	Screw-HH
6	325-12	2	Screw-HH	22:3	32128-37	1	Nut-HF
7	325-17	1	Screw-HH	23	116-0559	1	Bolt-TAP
8	3233-34	3	Screw-CARR	24	32128-37	6	Nut-HF
9	127-0553	2	Support-Bearing, Cross Shaft (Rear)	25	109-9066	4	Yoke-Adjust, Deck
10	109-7173	2	Bearing-Cross Shaft, Rear	26	322-47	4	Screw-HH
11	3231-4	2	Screw-CARR	27	3218-2	8	Nut-Hex Jam
12	104-8301	12	Nut-HF, NI	28	116-0459-03	1	Lift-Deck, Rear
13	109-9409	2	Support-Bearing, Cross Shaft (Front)	29	116-0780	2	Screw-Shoulder, HHF
14	109-9410	2	Bearing-Cross Shaft, Front	30	116-0797-03	1	Link-Lift, Deck
15	116-1700	4	Bolt-CARR	31	116-0000	1	Spring-Extension
16	109-9840	4	Screw-Shoulder, HHF	32	116-5584	1	Pin-HOC
				33	116-1919-01	1	Lever-Foot
				34	3256-28	2	Washer-Flat
				35	92-7674	1	Bolt-Shoulder
				36	3231-7	4	Screw-CARR

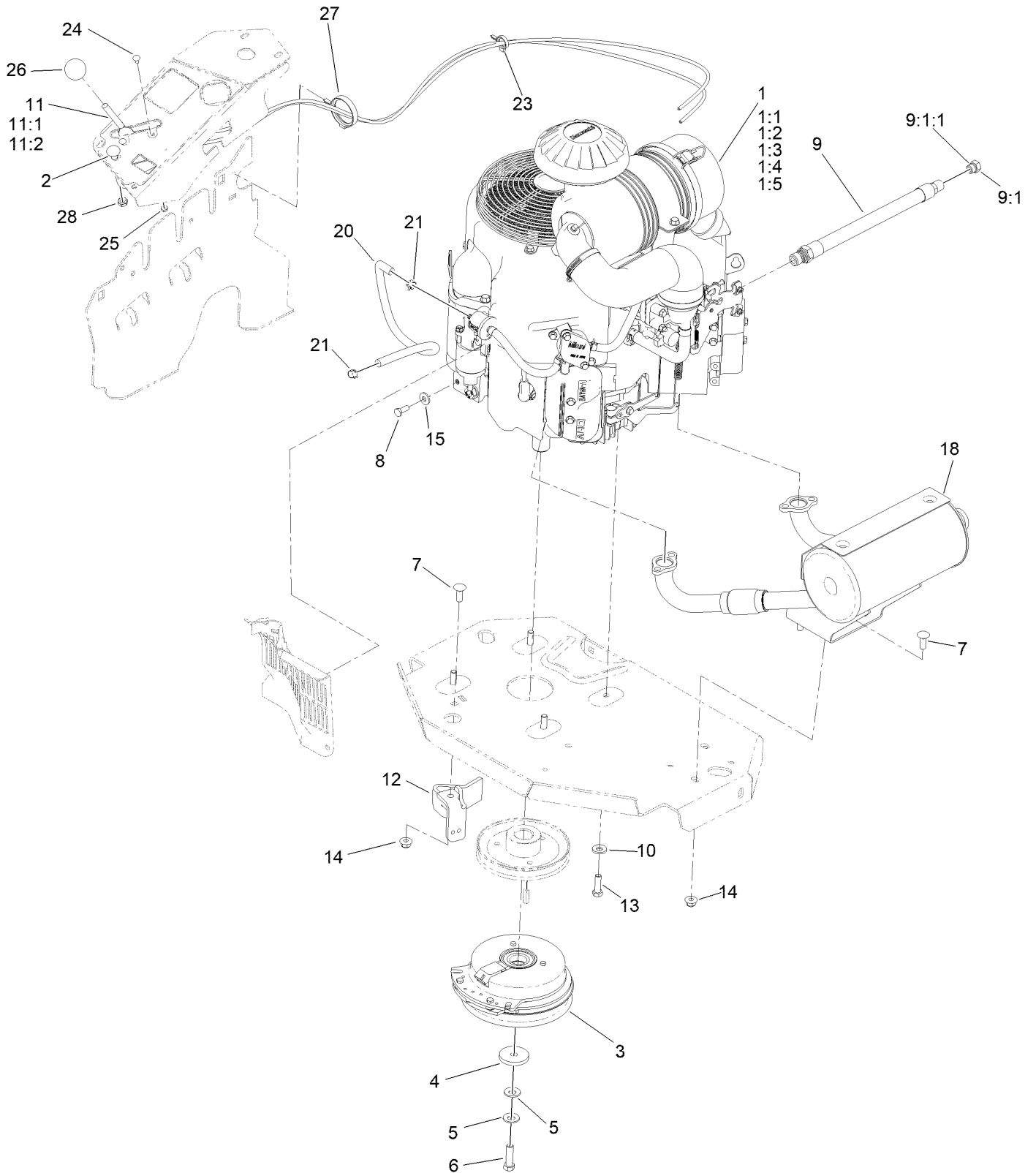
Height-of-Cut Assembly No. 109-7438



Height-of-Cut Assembly No. 109-7438 (continued)

<i>Ref.</i>	<i>Part Number</i>	<i>Qty.</i>	<i>Description</i>	<i>Ref.</i>	<i>Part Number</i>	<i>Qty.</i>	<i>Description</i>
1	62-1330	1	Bolt-Shoulder	6	116-0118	1	Pawl-Transport, HOC
2	109-7130	1	Grommet	7	109-7335	1	HOC Plate ASM
3	104-8301	1	Nut-HF, NI	7:2	126-4398	1	Decal-HOC
4	109-7124	1	Spring-Extension	8	109-8250	1	Grip-Lever
5	109-7128	1	Rod-Lock, Transport				

Engine, Clutch and Muffler Assembly



Engine, Clutch and Muffler Assembly (continued)

<i>Ref.</i>	<i>Part Number</i>	<i>Qty.</i>	<i>Description</i>	<i>Ref.</i>	<i>Part Number</i>	<i>Qty.</i>	<i>Description</i>
1		1	Engine-Kawasaki ▲◆	10	98-5975	4	Washer-Belleville
1:1	KW10761	1	Filter-Oil Kaw	11	110-5727	1	Throttle Control ASM
1:2	119-5944	1	Element-Filter, Air (Outer)	11:1	112-2334	1	Lever-Throttle
1:3	119-5945	1	Element-Filter, Air (Inner)	11:2	110-5728	1	Cable-Throttle
1:4	142-6949	1	Filter-Fuel	12	116-2612-01	1	Clutch-Anchor
1:5	92-2153	2	Plug-Spark	13	323-7	4	Screw-HH
2	115-2753	1	Control-Choke	14	104-8301	5	Nut-HF, NI
3	116-1620	1	Clutch Kit	15	1-303334	1	Washer-Spring
4	109-6919	1	Washer-Plain	18	135-7562	1	Kit, Muffler
5	1-603610	2	Washer-Spring	20	109-0298	1	Line-Fuel
6	109-9761	1	Screw-HH □	21	2412-98	2	Clamp-Hose
7	3231-22	5	Screw-CARR	23	105-1853	1	Clamp-Hose
8	33114-020	1	Screw-HH	24	1-807513	2	Bolt-CARR
9	116-4924	1	Engine Oil Drain Hose ASM	25	3296-2	2	Nut-Lock, NI
			■	26	1-603175	1	Knob-Ball
9:1	353-508	1	Plug-HH ●	27	117-7817	1	Clamp-Harness
9:1:1	237-42	1	O-Ring	28	3220-3	1	Nut-HJ

● Torque to 24-26 ft-lb

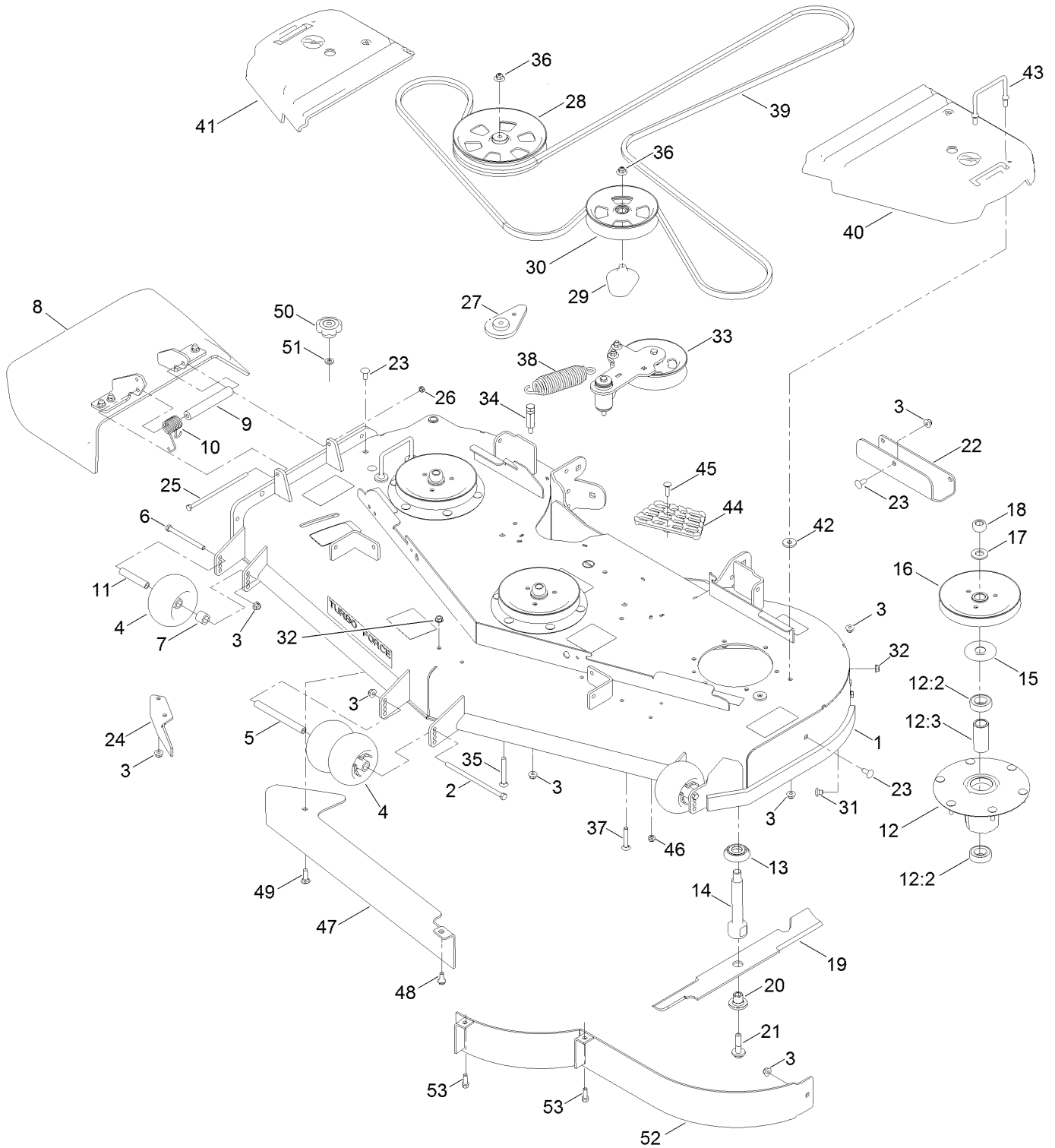
▲ Not serviced separately

□ Use Pro-Lock, Nut Type (P/N 1-840022, .5ml tube) on threads.

■ Torque to 23-29 ft-lb

◆ Obtain parts from www.kawpower.com

Deck Assembly

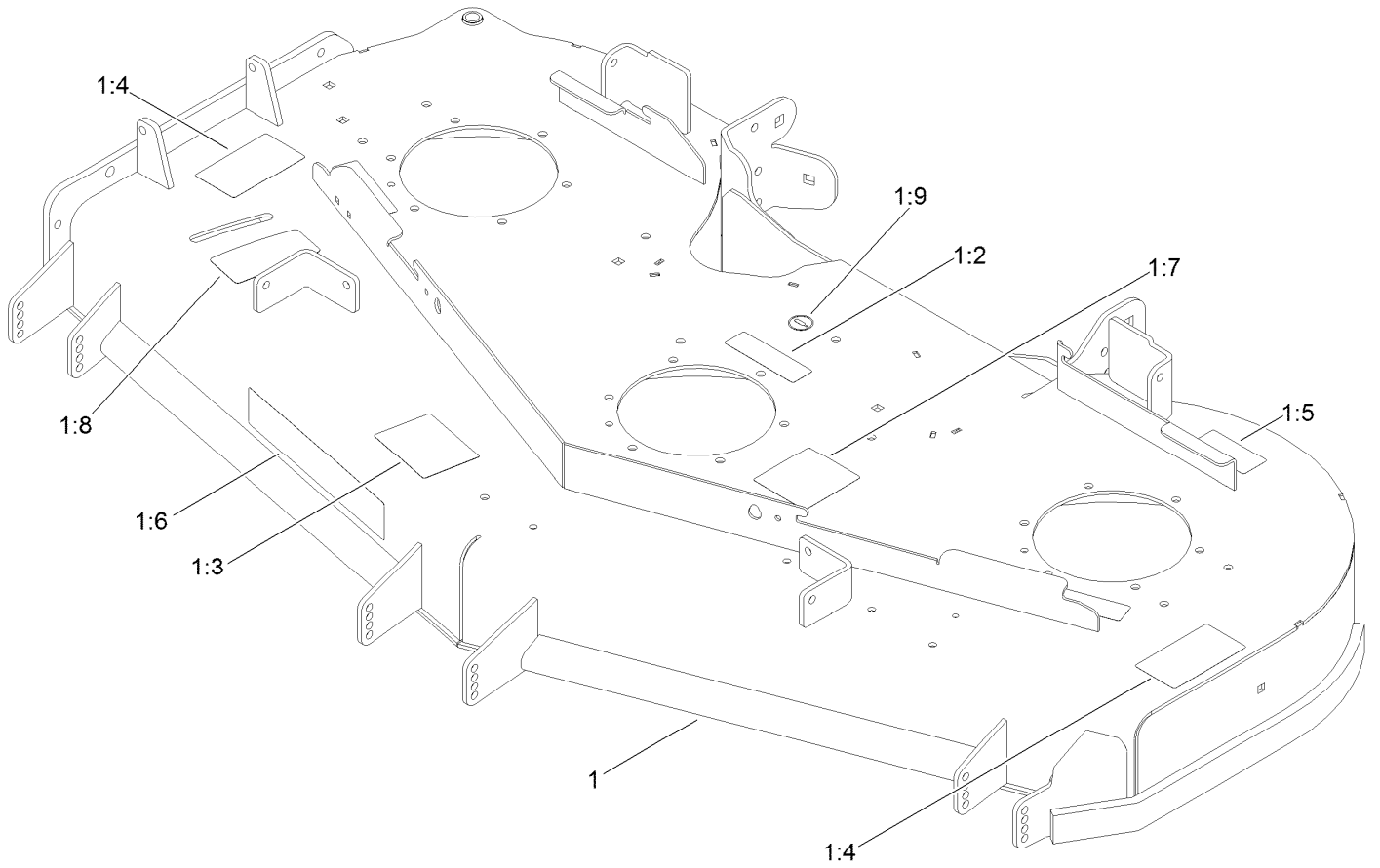


Deck Assembly (continued)

<i>Ref.</i>	<i>Part Number</i>	<i>Qty.</i>	<i>Description</i>	<i>Ref.</i>	<i>Part Number</i>	<i>Qty.</i>	<i>Description</i>
1	140-1169	1	Deck Decal ASM	27	109-9416	1	Spacer-Idler
2	108-5388	1	Screw-HH	28	132-4734	1	Pulley-Idler,Flat
3	104-8301	32	Nut-HF, NI	29	109-2872	1	Spacer-Pulley
4	1-603299	4	Roller-Scalp, Anti	30	136-5404	1	Pulley-Idler, Flat
5	98-5967	1	Spacer-Wheel	31	108-5387	3	Screw-CARR
6	323-23	2	Screw-HH	32	3290-357	6	Nut-HSF
7	98-7913	2	Tube-Spacer	33		1	Idler Arm ASM ●
8	108-2792	1	Rubber Deflector ASM	34	114-5867	1	Anchor-Spring, Tall
9	105-4622	1	Spacer	35	3231-42	1	Screw-CARR
10	108-4052	1	Spring-Torsion	36	109-6658	2	Nut-Flange, NI
11	98-7912	2	Tube-Spanner	37	3231-40	1	Bolt-CARR
12	137-9780	3	Spindle ASM	38	116-6317	1	Spring-Extension
12:2	116-0720	2	Bearing-Ball	39	132-5982	1	Belt-V
12:3	138-6042	1	Spacer-Bearing	40	109-6938	1	Cover-Belt, LH
13	137-9784	3	Guard-Bottom	41	116-0094	1	Cover-Belt, RH
14	138-6045	3	Shaft-Spindle	42	1-373034	4	Washer
15	103-1330	3	Guard-Bearing, Top	43	109-6982	2	Wireform-Cover
16	138-6059	3	Sheave-Drive, Blade	44	126-4781-03	1	Step-Deck
17	103-2802	3	Washer	45	3230-3	1	Screw-CARR
18	116-7306	3	Nut-Hex	46	104-8300	1	Nut-HF, NI
19	140-1240	3	Blade	47	138-6051-01	1	Plate-Baffle
20	137-9787	3	Bushing-Hex	48	94-7582	1	Bolt-Shoulder
21	109-9220	3	Screw-Sems	49	3231-25	1	Bolt-CARR
22	121-8031-01	1	Plate-Skid	50	109-1092	1	Knob
23	3231-27	6	Screw-CARR	51	100-4852	1	Washer-Hardened
24	106-3216-01	1	Baffle-Discharge	52	114-5842-01	1	Baffle
25	322-50	1	Screw-HH	53	92-1624	2	Screw-HWH Thd Form
26	3296-47	1	Nut-Lock,NI				

● Not serviced separately

Deck Decal Assembly No. 140-1169

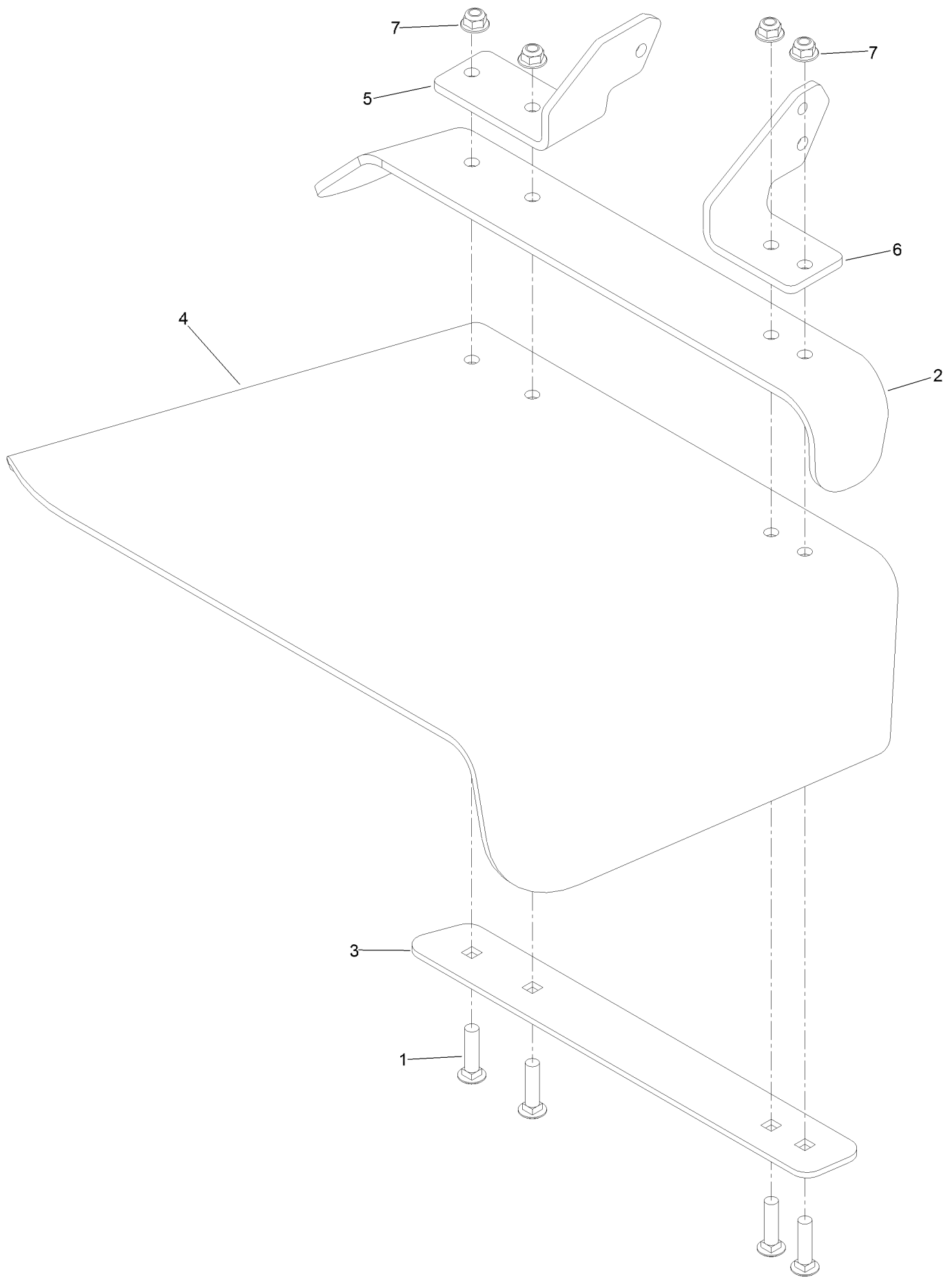


Deck Decal Assembly No. 140-1169 (continued)

<i>Ref.</i>	<i>Part Number</i>	<i>Qty.</i>	<i>Description</i>	<i>Ref.</i>	<i>Part Number</i>	<i>Qty.</i>	<i>Description</i>
1		1	Deck ASM ●	1:6	107-1619	1	Decal
1:2	112-9028	3	Decal-Cover, Missing	1:7	136-5508	1	Decal-Routing, Deck Belt
1:3	127-0326	1	Decal-Scalp, Anti	1:8	131-1180	1	Decal-Adjustment, Baffle
1:4	117-3848	2	Decal-Danger	1:9	58-6520	1	Decal-Grease
1:5	116-8283	1	Decal-Torque, Bolt				

● Not serviced separately

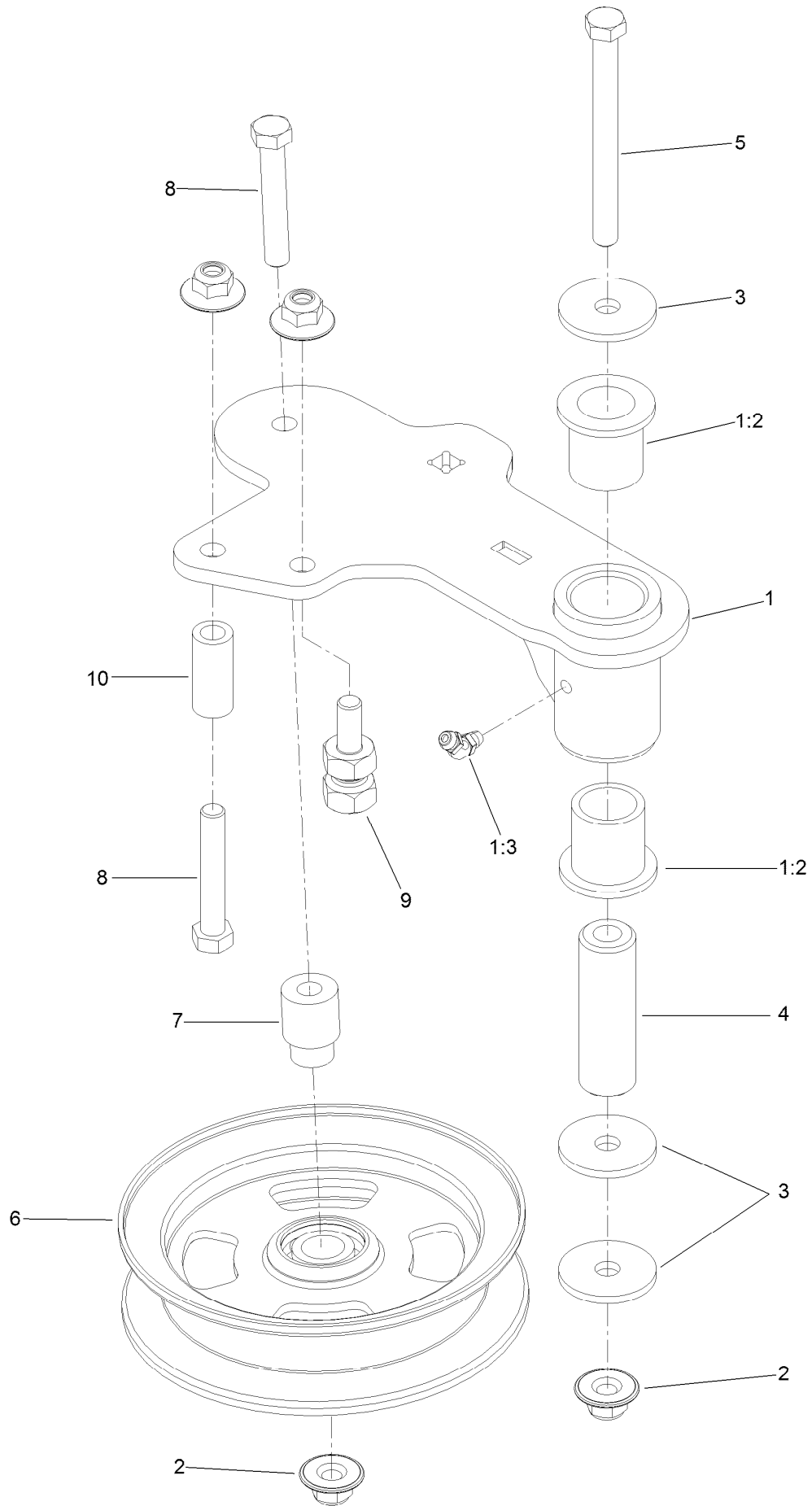
Rubber Deflector Assembly No. 108-2792



Rubber Deflector Assembly No. 108-2792 (continued)

<i>Ref.</i>	<i>Part Number</i>	<i>Qty.</i>	<i>Description</i>	<i>Ref.</i>	<i>Part Number</i>	<i>Qty.</i>	<i>Description</i>
1	3231-4	4	Screw-CARR	5	108-4059-01	1	Plate-Hinge, Rear
2	106-3246-01	1	Deflector	6	106-3253-01	1	Plate-Hinge, Front
3	106-3248-03	1	Strap-Discharge	7	104-8301	4	Nut-HF, NI
4	108-5029	1	Deflector-Rubber				

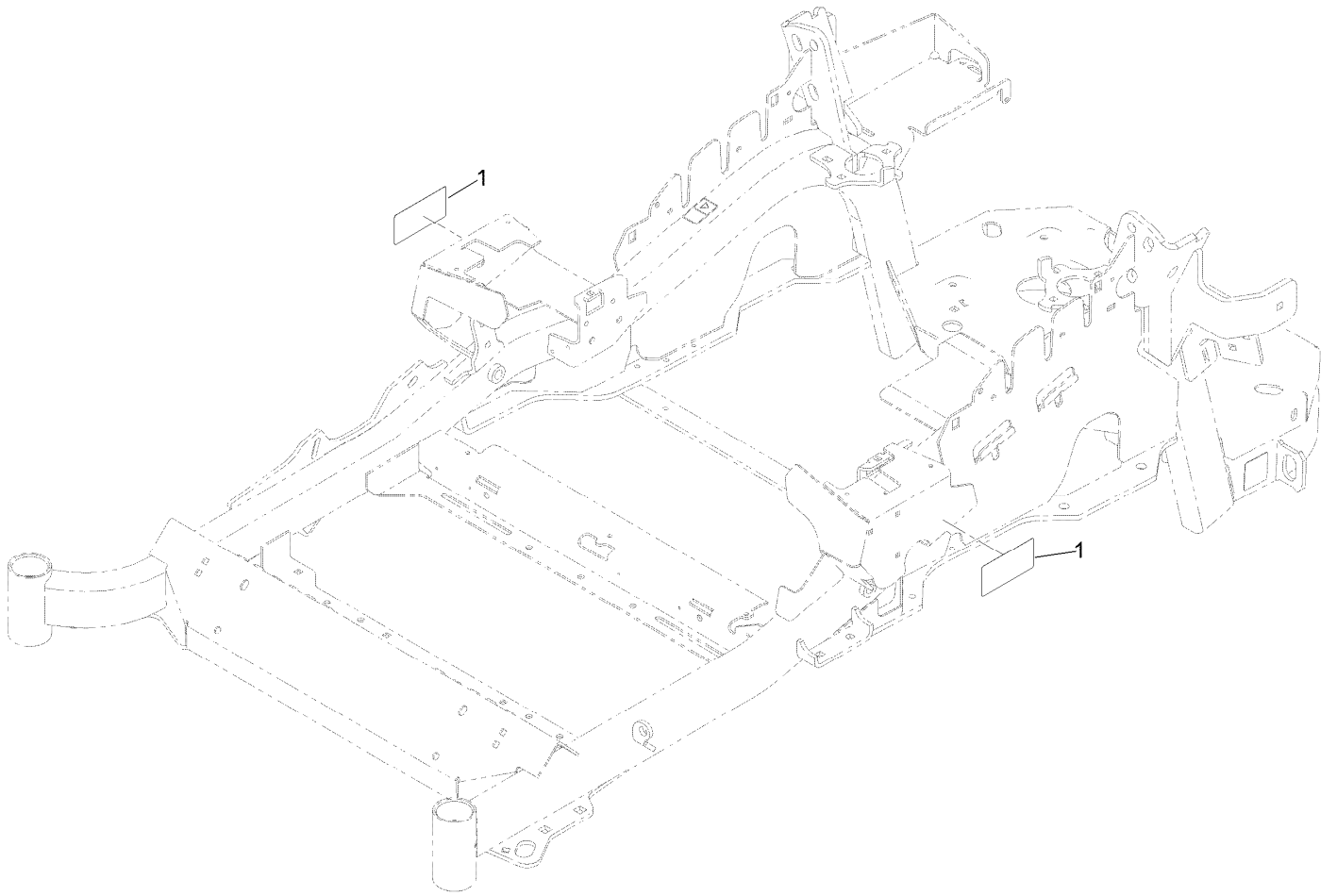
Idler Arm Assembly



Idler Arm Assembly (continued)

<i>Ref.</i>	<i>Part Number</i>	<i>Qty.</i>	<i>Description</i>	<i>Ref.</i>	<i>Part Number</i>	<i>Qty.</i>	<i>Description</i>
1	114-5870	1	Idler Arm ASM	5	98-5961	1	Screw-HH
1:2	1-303514	2	Bearing-Flanged	6	132-9425	1	Pulley-Idler, Flat
1:3	1481	1	Fitting-Grease	7	112-4212	1	Mount-Pulley
2	109-6658	4	Nut-Flange, NI	8	323-11	2	Screw-HH
3	1-213069	3	Washer	9	132-4729	1	Anchor-Spring, Short
4	114-5848	1	Spacer-Plain	10	104-0151	1	Spacer

Frame Decal Assembly



Frame Decal Assembly (continued)

<i>Ref.</i>	<i>Part Number</i>	<i>Qty.</i>	<i>Description</i>
1	120-5894	2	Decal

Attachments and Accessories

For 72910 Z Master Professional 5000 Series Riding Mower with 60in TURBO FORCE Side Discharge Mower

Product Name	Model/Part
Turbo Baffle Kit	107-1634
Anti-Scalp Kit (Trim Side).....	108-4140
Hitch Kit	109-9487
Hypr-Oil 500 (quart).....	114-4713
Hypr-Oil 500 (gallon).....	114-4714
Hypr-Oil 500-5 (5 gallon).....	114-4715
Bimini Folding Shade Assembly	115-4510
Roller Striper Kit.....	115-7470
Light Kit.....	116-1154
Seat Cover (W/arm rest).....	117-0095
Operator Controlled Discharge Chute Kit.....	117-3600
Z Stand Kit.....	121-4811
Seat Tilt Frame and ISO Mount Kit.....	121-7596
Toro Rops Lock Kit.....	126-4064
Jack Kit.....	127-6666
Power Deck Lift Kit	132-5986
Worklight Kit	135-7320
Bucket Mount Kit.....	137-9216
Trimmer Mount	137-9769
Recycler Kit	139-6655
24x12n12 - Tweel Turf	139-7891
Blade-20.5 High Flow	140-1240
Blade-20.50 Atomic	140-1241
Blade-20.50 Medium Flow	140-4853
Blade-20.50, Low Flow	140-4854
Blade-20.50 Recycler	140-4855
6 Pack-Blade, 20.5 High Flow.....	140-4877
6 Pack-Blade, 20.5 Med Flow	140-4878
6 Pack-Blade, 20.5 Low Flow	140-4879
6 Pack-Blade, 20.5 Atomic.....	140-4880
6 Pack-Blade, 20.5 Recycler.....	140-4881
Weight Kit, Under Toe Board.....	140-4958
Slope Sensor-Lazer/Z-Master 3000/5000/6000.....	142-4910
Jack Mount Kit	146-0696
Blade-20.50 High Flow	147-6252
6 Pack-Blade, 20.50 High Flow.....	147-6256
Toro Rider Over Seat Bag.....	490-7317
Toro Deluxe Rider Cover.....	490-7319
Toro Rider Arm Rest Bag	490-7320
Spark Arrestor Screen	75-6880
Blower and Drive Kit	78553
E-Z Vac Triple Bagging System	78563
E-Z Vac DFS Collection System	78567
Filter Minder Gauge	99-4664
Trash Holder Kit.....	TC26

Notes:

Notes:

Notes:



Count on it.