



Count on it.

Parts Catalog

**ProLine H600
Rotary Mower**

Model No. 31040—Serial No. 324000175 and Up



Ordering Replacement Parts

To order replacement parts, please supply the part number, the quantity, and the description of each part desired.

Understanding Reference Numbers

Each identified part in an illustration has a reference number. The reference number for a part also appears in the parts list, along with other information about the part.

This catalog uses two special reference number formats, one to indicate parts in a service assembly and another to indicate the quantity of a given part in an illustration.

Service Assembly Reference Numbers

Parts in service assemblies have reference numbers in the form a:b. The a represents the reference number of the entire service assembly and the b represents a sequential number unique to each part within the service assembly.

For example, a wheel assembly might be identified by reference number 6, the tire by 6:1, the valve by 6:2, and the wheel by 6:3. When you order the assembly identified by reference number 6, you receive all parts identified by reference numbers 6:1, 6:2, and 6:3. However, you may also order any part individually. Reference numbers of this type appear in illustration and in parts lists.

Reference Numbers Indicating Quantity

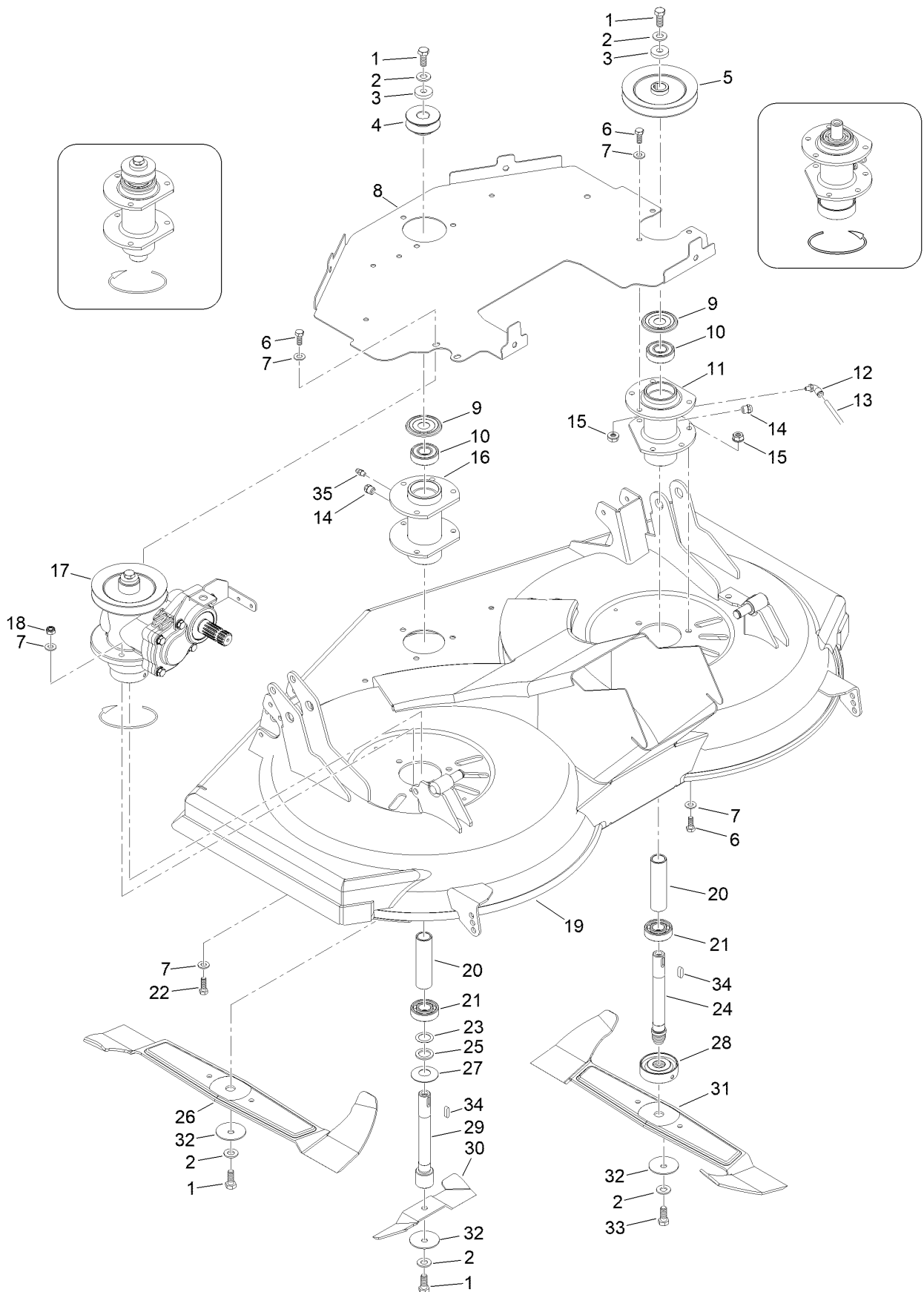
In an illustration, if a reference number indicates more than one part, the reference number has the form nX y. The n represents the quantity of the part, the X is the multiplication symbol, and the y represents the reference number.

For example, in an illustration, the reference number 2X 37 means that two of the parts identified by reference number 37 are indicated.

Contents

Cutting Deck Blade and Pulley Assembly	4
Cutting Deck Belt and Idlers Assembly	6
Cutting Deck Frame and Casters Assembly	8
Cutting Deck Anti-Scalp Assembly	10
Cutting Deck Cover and Chute Assembly	12
Cutting Deck Gearbox Assembly	14
Cutting Deck and Lift Arms Assembly	16
Exhaust Manifold Assembly	18
Engine and Air Filter Assembly	20
Engine Fuel Tank and Water Expansion Tank Assembly	22
Main Frame Assembly	24
Central Bar and Rear Axle Frame Assembly	26
Operator Platform and Seat Assembly	28
Gearbox Assembly No. 1	30
Gearbox Assembly No. 2	32
Transmission Assembly	34
Transmission, PTO and Drive Shaft Assembly	36
Parking Brakes Assembly	38
Axle and Front Wheels Assembly	40
Axle and Steering Rear Assembly	42
Cooling Water System Assembly	44
Body and Pedals Assembly	46
Body Assembly	48
Hydraulic Assembly No. 1	50
Hydraulic Assembly No. 2	52
Hydraulic Assembly No. 3	54
Hydraulic Assembly No. 4	56
Hopper and Frame Assembly	58
Hopper Parts Assembly	60
Hopper Electrical Assembly	62
Hopper Lift Frame Assembly	64
Electric Equipment Assembly	66
Decals Assembly	68
Attachments and Accessories	70

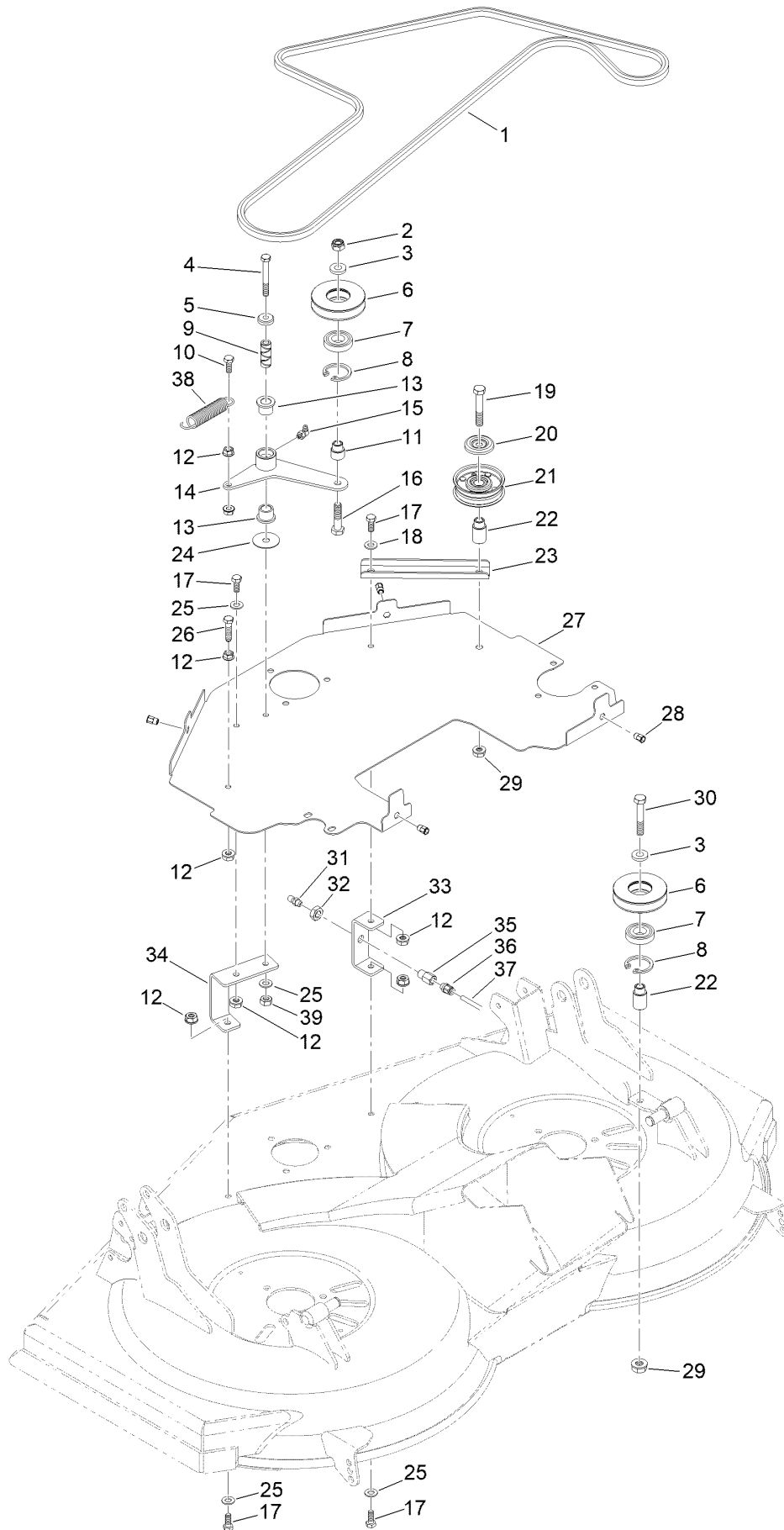
Cutting Deck Blade and Pulley Assembly



Cutting Deck Blade and Pulley Assembly (continued)

<i>Ref.</i>	<i>Part Number</i>	<i>Qty.</i>	<i>Description</i>	<i>Ref.</i>	<i>Part Number</i>	<i>Qty.</i>	<i>Description</i>
1	134-2956	4	Screw	19	134-9072	1	Deck, Chassis
2	134-1051	5	Washer	20	134-9011	2	Spacer, Hub
3	134-1337	2	Washer	21	134-9010	2	Bearing, 6204 Rs
4	134-9014	1	Pulley, Central Blade	22	134-1013	3	Screw
5	134-9451	1	Pulley, Blade Shaft	23	134-1354	1	Spacer
6	134-1011	8	Screw	24	162-0035	1	Shaft, Right Blade
7	134-1045	14	Washer	25	134-9013	1	Shim
8	134-9020	1	Shell, Deck	26	134-8390	1	Blade-Rotary, LH
9	134-9002	2	Guard, Pulley Side	27	134-9012	1	Guard, Blade Side
10	134-9001	2	Bearing, 6204 2Rs	28	134-9467	1	Support, Blade
11	134-9015	1	Hub, Right Blade	29	134-9004	1	Shaft, Central Blade
12	134-9017	1	Fitting, Taper	30	134-8392	1	Blade-Rotary, Center
13	134-9038	1	Hose	31	134-8391	1	Blade-Rotary, RH
14	134-9003	2	Purge Valve	32	134-9006	3	Washer, Belleville
15	134-1082	6	Nut	33	134-1347	1	Screw-HH, LH Thd
16	134-9000	1	Hub, Central Blade	34	134-8267	2	Key
17	134-9466	1	Deck Gearbox Assy	35	134-1065	1	Fitting-Grease
18	134-1092	3	Nut				

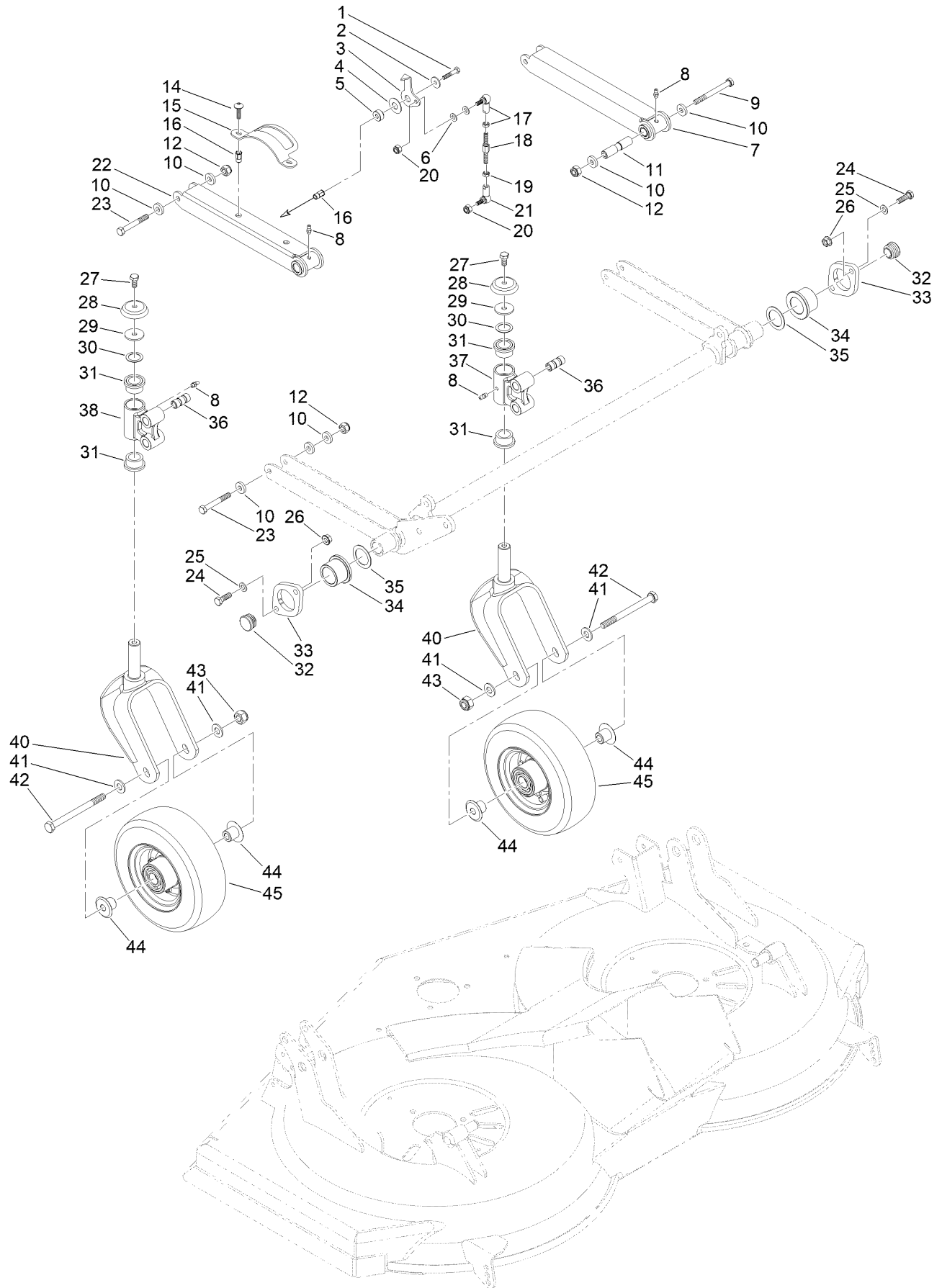
Cutting Deck Belt and Idlers Assembly



Cutting Deck Belt and Idlers Assembly (continued)

<i>Ref.</i>	<i>Part Number</i>	<i>Qty.</i>	<i>Description</i>	<i>Ref.</i>	<i>Part Number</i>	<i>Qty.</i>	<i>Description</i>
1	134-9021	1	Belt, Deck	20	134-9023	1	Guard, Idler
2	134-1081	1	Nut	21	134-9022	1	Pulley, Idler
3	134-9408	2	Washer	22	134-9024	2	Bushing
4	134-2953	1	Screw	23	134-9030	1	Reinforcement Bracket
5	134-9032	1	Washer	24	134-9029	1	Shim
6	134-9177	2	Pulley, Belt Tensioner	25	134-1045	4	Washer
7	134-9176	2	Bearing	26	134-1014	1	Screw
8	134-9175	2	Retainer	27	134-9020	1	Shell, Deck
9	134-0730	1	Spacer	28	134-1257	4	Insert-Threaded
10	134-1015	1	Screw	29	134-3009	2	Nut
11	134-9025	1	Bushing	30	134-8134	1	Screw-HH
12	134-1082	8	Nut	31	134-1065	1	Fitting-Grease
13	134-2954	2	Bushing	32	134-1035	1	Nut
14	134-9026	1	Bracket, Deck Belt Tensioner	33	134-9035	1	Bracket, Shell RH
15	134-9034	1	Nipple, Grease	34	134-9033	1	Bracket, Shell LH
16	134-9031	1	Screw, HH Cap	35	134-9036	1	Fitting
17	134-1011	4	Screw	36	134-9037	1	Fitting-Straight
18	134-3126	1	Washer	37	134-9038	1	Hose
19	134-3090	1	Screw	38	134-9028	1	Spring-Extension
				39	134-1092	1	Nut

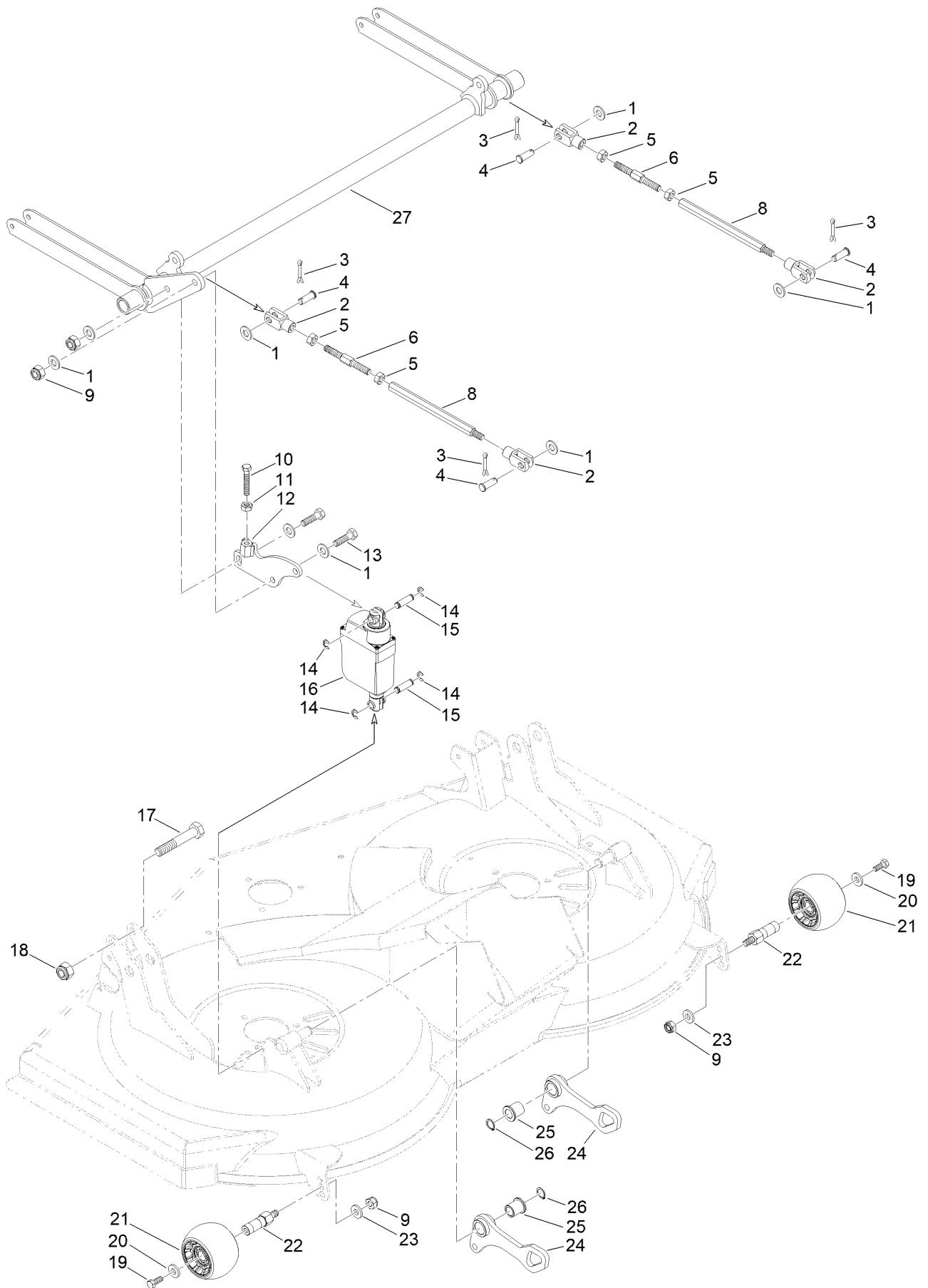
Cutting Deck Frame and Casters Assembly



Cutting Deck Frame and Casters Assembly (continued)

<i>Ref.</i>	<i>Part Number</i>	<i>Qty.</i>	<i>Description</i>	<i>Ref.</i>	<i>Part Number</i>	<i>Qty.</i>	<i>Description</i>
1	134-3019	1	Screw	24	134-1015	4	Screw
2	134-1234	1	Washer	25	134-1045	4	Washer
3	134-9055	1	Indicator, HOC	26	134-1082	4	Nut
4	134-9056	1	Washer, Belleville	27	134-1010	2	Screw
5	134-9057	1	Bushing	28	134-9054	2	Guard, Castor Wheel
6	134-1044	2	Washer	29	134-8239	2	Washer
7	134-9042	1	Arm Assy, RH Castor Wheel	30	134-1354	2	Spacer
8	134-1065	4	Fitting-Grease	31	134-9043	4	Bushing
9	134-9040	1	Screw	32	134-9052	2	Plug
10	134-0997	10	Washer	33	134-9049	2	Flange, Bar
11	134-9048	1	Pivot, Arms	34	134-9050	2	Bushing
12	134-1038	4	Nut	35	134-9051	2	Shim
14	134-1304	2	Screw	36	134-9047	2	Pivot, Joint
15	134-9044	1	Bracket, HOC Decal	37	134-9053	1	Joint, RH Castor Wheel
16	134-1194	3	Insert-Threaded	38	134-9039	1	Joint, LH Castor Wheel
17	134-9059	1	Tie, Rod-End	40	134-9041	2	Yoke, Castor Wheel
18	134-9058	1	Rod	41	134-1046	4	Washer
19	134-1083	1	Nut	42	134-1295	2	Screw
20	134-1042	2	Nut	43	134-1081	2	Nut
21	134-1327	1	Articulation	44	134-0731	4	Bushing
22	134-9045	1	Arm Assy, LH Castor Wheel	45	134-9046	2	Castor Wheel Assy
23	134-1024	3	Screw				

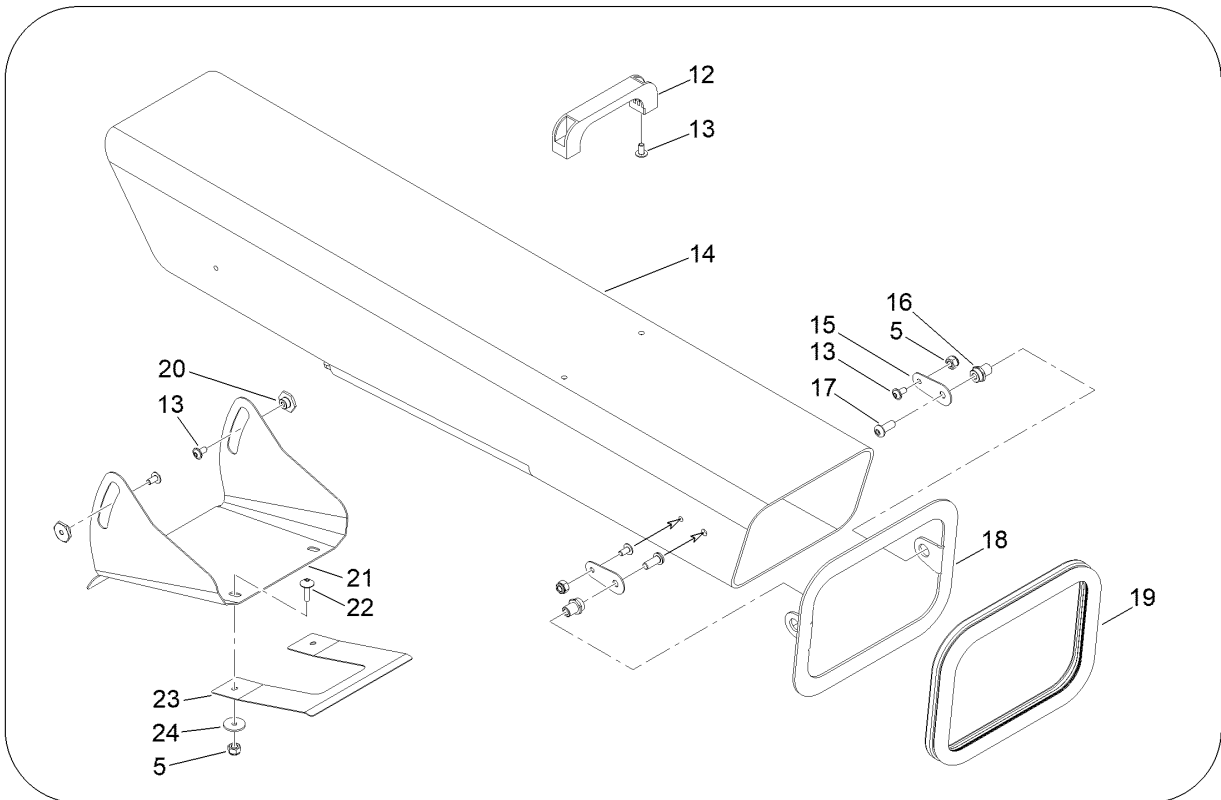
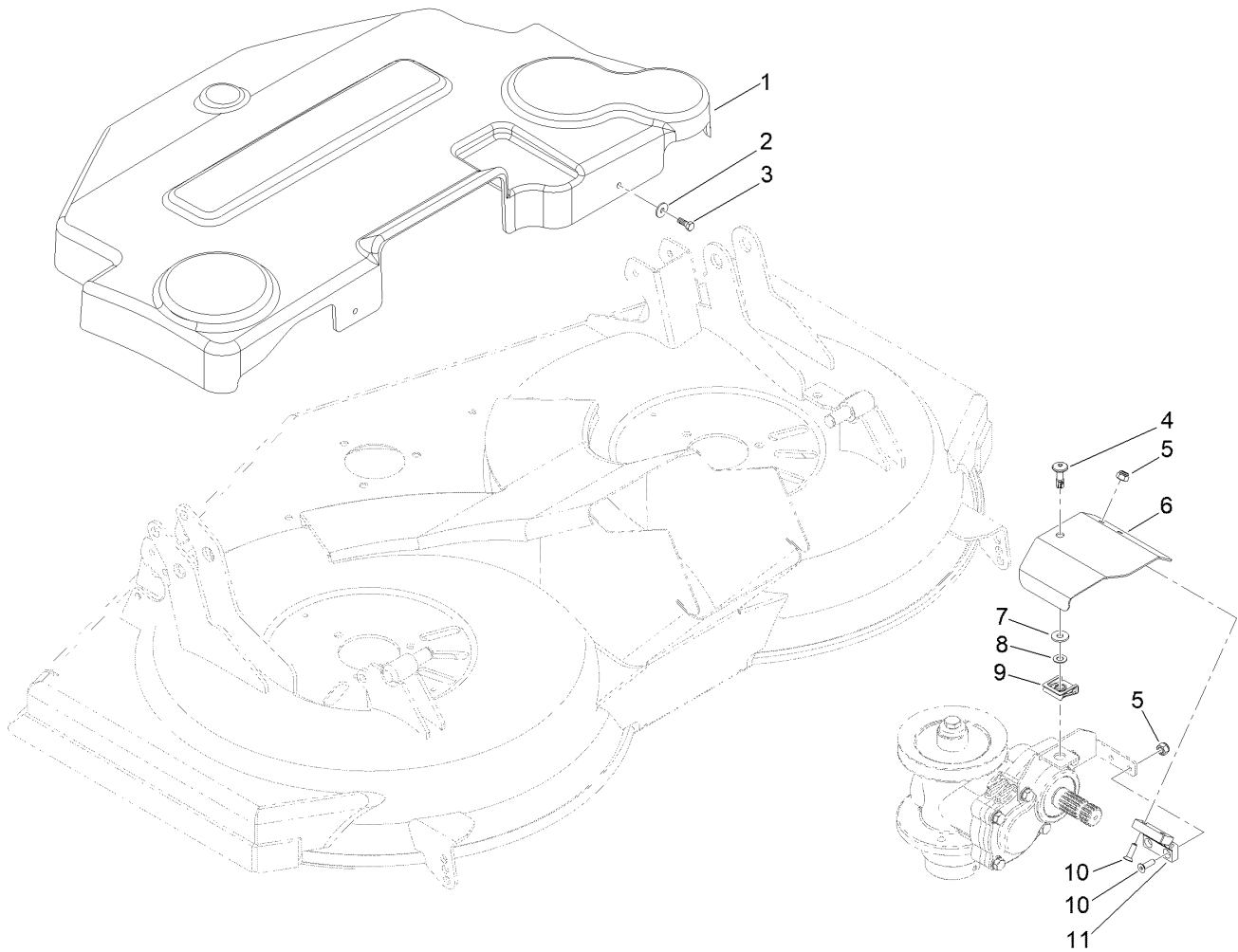
Cutting Deck Anti-Scalp Assembly



Cutting Deck Anti-Scalp Assembly (continued)

<i>Ref.</i>	<i>Part Number</i>	<i>Qty.</i>	<i>Description</i>	<i>Ref.</i>	<i>Part Number</i>	<i>Qty.</i>	<i>Description</i>
1	134-1046	8	Washer	15	134-9063	2	Pin, Electric Actuator
2	134-1241	4	Fork	16	134-9064	1	Actuator, Electric
3	134-2957	4	Pin-Split	17	134-9062	1	Screw, HH Cap
4	134-1242	4	Pin	18	134-2969	1	Nut
5	134-9069	4	Nut	19	134-1011	2	Screw
6	134-9068	2	Rod-Adjustment	20	134-0997	2	Washer
8	134-9070	2	Rod	21	134-0639	2	Wheel-Anti Scalp
9	134-1081	4	Nut	22	134-9060	2	Pivot, Anti-Scalp Wheel
10	134-9354	1	Screw-HH	23	134-9449	2	Washer
11	134-1034	1	Nut	24	134-9061	2	Pivot-Arm, Connecting Rod
12	134-9065	1	Bracket, Electric Actuator	25	134-1264	2	Bushing
13	134-1023	2	Screw	26	134-9274	2	Retainer
14	134-2966	4	Ring Snap	27	134-9066	1	Torsion-Bar, Deck

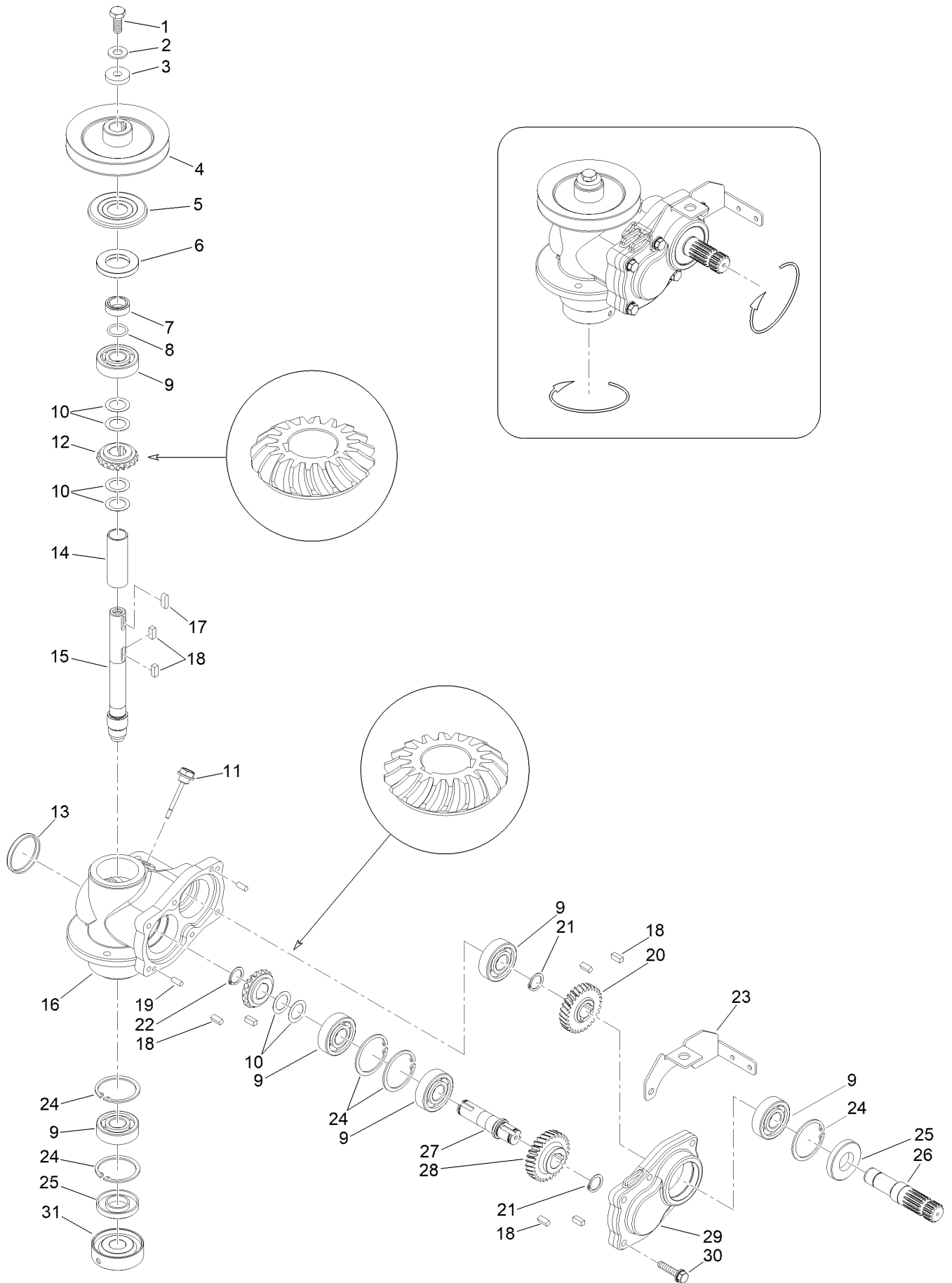
Cutting Deck Cover and Chute Assembly



Cutting Deck Cover and Chute Assembly (continued)

<i>Ref.</i>	<i>Part Number</i>	<i>Qty.</i>	<i>Description</i>	<i>Ref.</i>	<i>Part Number</i>	<i>Qty.</i>	<i>Description</i>
1	134-9071	1	Cover, Deck	13	134-1314	6	Screw
2	134-1234	4	Washer	14	134-9073	1	Chute
3	134-1008	4	Screw	15	134-9078	2	Plate, Chute
4	134-9082	1	Fastener-Retained	16	134-9076	2	Pin, Chute
5	134-1042	8	Nut	17	134-9149	2	Screw, H-Sckt B Head
6	134-9080	1	Cover, Cardan Shaft	18	134-9074	1	Frame, Chute
7	134-3003	1	Washer	19	134-9077	1	Gasket, Chute
8	134-1192	1	Washer	20	134-0803	2	Pin
9	134-1193	1	Plate-Small	21	134-9075	1	Bulkhead, Chute
10	134-3111	4	Screw	22	134-1304	2	Screw
11	134-1147	1	Hinge-Plastic	23	134-0801	1	Plate
12	134-1140	1	Handle	24	134-1232	2	Washer

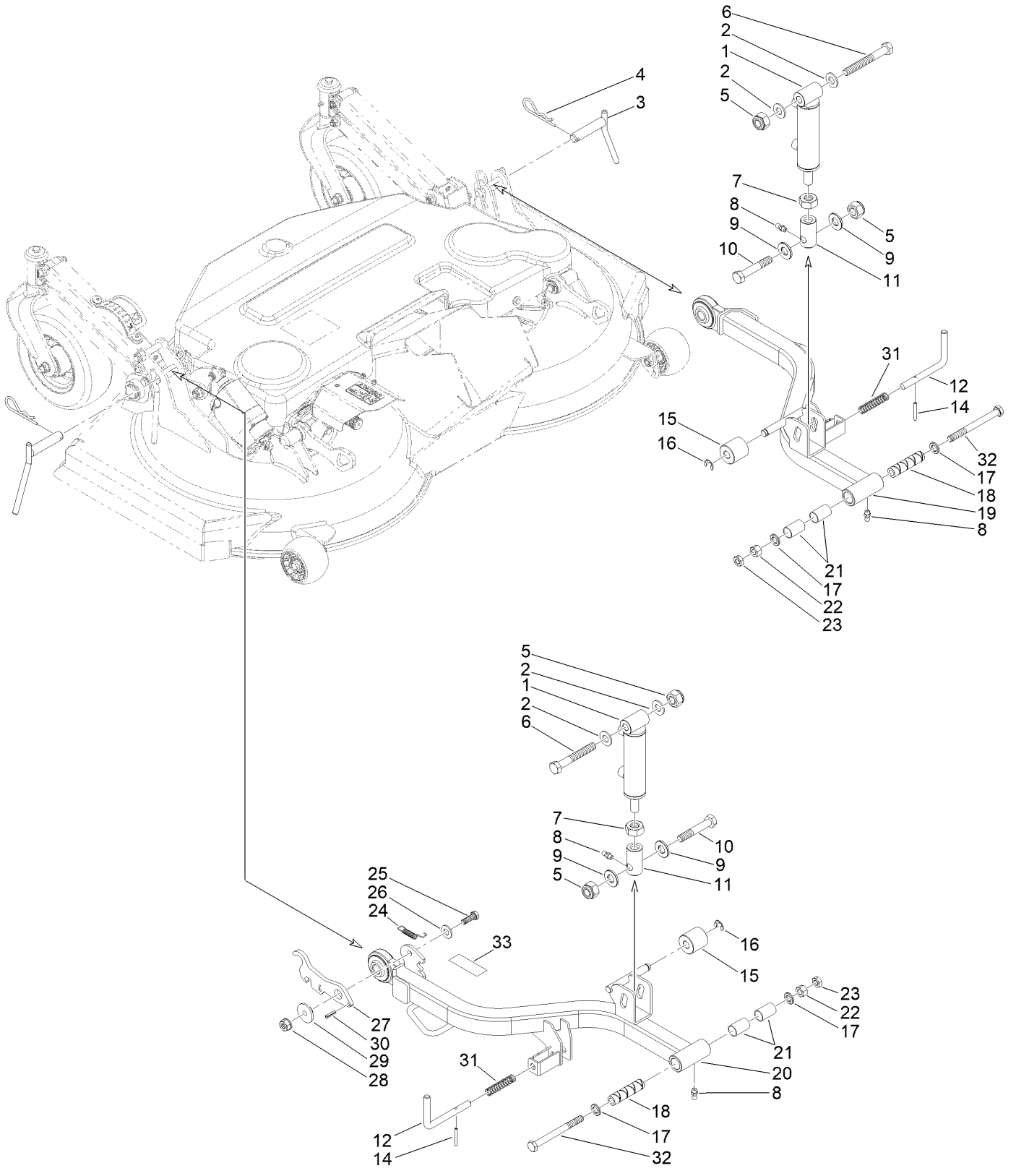
Cutting Deck Gearbox Assembly



Cutting Deck Gearbox Assembly (continued)

<i>Ref.</i>	<i>Part Number</i>	<i>Qty.</i>	<i>Description</i>	<i>Ref.</i>	<i>Part Number</i>	<i>Qty.</i>	<i>Description</i>
1	134-2956	1	Screw	18	134-1341	8	Key-Shaft
2	134-1051	1	Washer	19	134-9462	2	Pin
3	134-1337	1	Washer	20	134-9470	1	Gear, Helical-LH
4	134-9451	1	Pulley, Blade Shaft	21	134-1060	3	Ring-Retaining, Int
5	134-9452	1	Guard, Deck Gearbox	22	134-9464	1	Spiral Bevel Gear, RH
6	134-9453	1	Oil Seal	23	134-9465	1	Support, Cardan Shaft Cover
7	134-9454	1	Ring, Deck Gearbox	24	134-1057	5	Ring-Retaining, Int
8	134-9455	1	O-Ring,	25	134-9481	2	Seal, Oil
9	134-1110	6	Bearing	26	134-9471	1	Shaft, Primary Deck Gearbox
10	134-1354	6	Spacer	27	134-9468	1	Shaft, Secondary Deck Gearbox
11	134-9456	1	Dipstick, Transmission	28	134-9469	1	Gear, Helical-LH
12	134-9457	1	Spiral Bevel Gear, LH	29	134-9461	1	Cover, Deck Gearbox
13	134-1238	1	Cap	30	134-9463	6	Screw-HHF
14	134-9459	1	Spacer	31	134-9467	1	Support, Blade
15	134-9460	1	Shaft, LH Blade				
16	134-9458	1	Gearbox, Deck				
17	134-8267	1	Key				

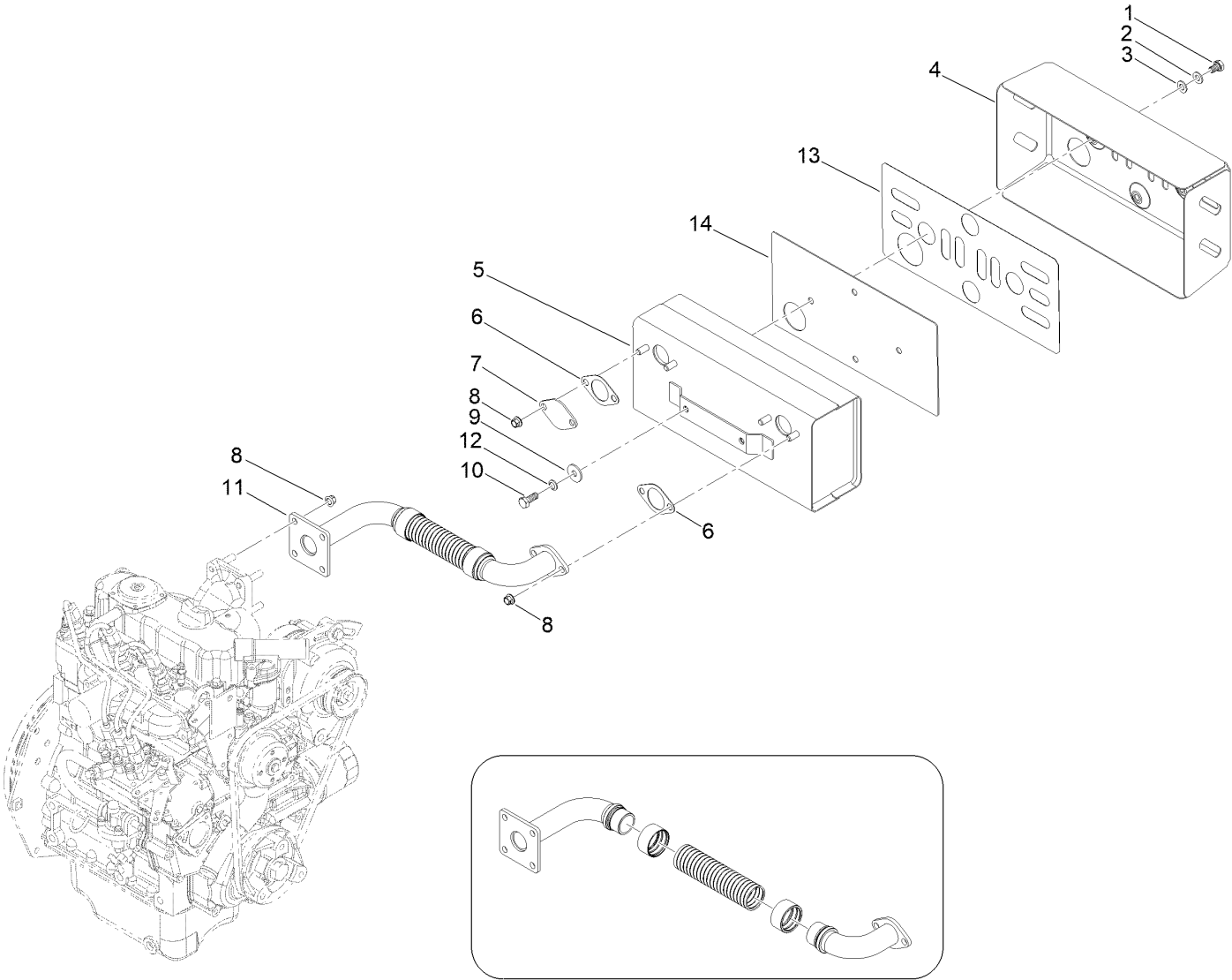
Cutting Deck and Lift Arms Assembly



Cutting Deck and Lift Arms Assembly (continued)

<i>Ref.</i>	<i>Part Number</i>	<i>Qty.</i>	<i>Description</i>	<i>Ref.</i>	<i>Part Number</i>	<i>Qty.</i>	<i>Description</i>
1	134-9337	2	Ram	18	134-0899	2	Bushing
2	134-3012	4	Washer	19	134-9086	1	RH Arm, Deck
3	134-9091	2	Pin-Pivot	20	134-9088	1	LH Arm, Deck
4	134-1098	2	Pin-Spring	21	134-1187	4	Bushing
5	134-1090	4	Nut	22	134-8075	2	Nut-Hex
6	134-9089	2	Screw, HH Cap	23	134-1035	2	Nut
7	134-1037	2	Nut	24	134-0695	1	Spring
8	134-1065	4	Fitting-Grease	25	134-1023	1	Screw
9	134-0977	4	Washer-Plastic	26	134-1046	1	Washer
10	134-9090	2	Screw, HH Cap	27	134-9084	1	Hook, Deck
11	134-0692	2	Support	28	134-3009	1	Nut
12	134-0660	2	Pin-Unhooking	29	134-0710	1	Bushing
14	134-1205	2	Plug-Spirol	30	134-1136	1	Plug-Spirol
15	134-9083	2	Roller, Platform	31	134-0641	2	Spring
16	134-2964	2	Ring-Snap	32	134-8074	2	Screw-HH
17	134-8073	4	Washer-Plain, Chamfered	33	134-9472	2	Tape, Non-Slip

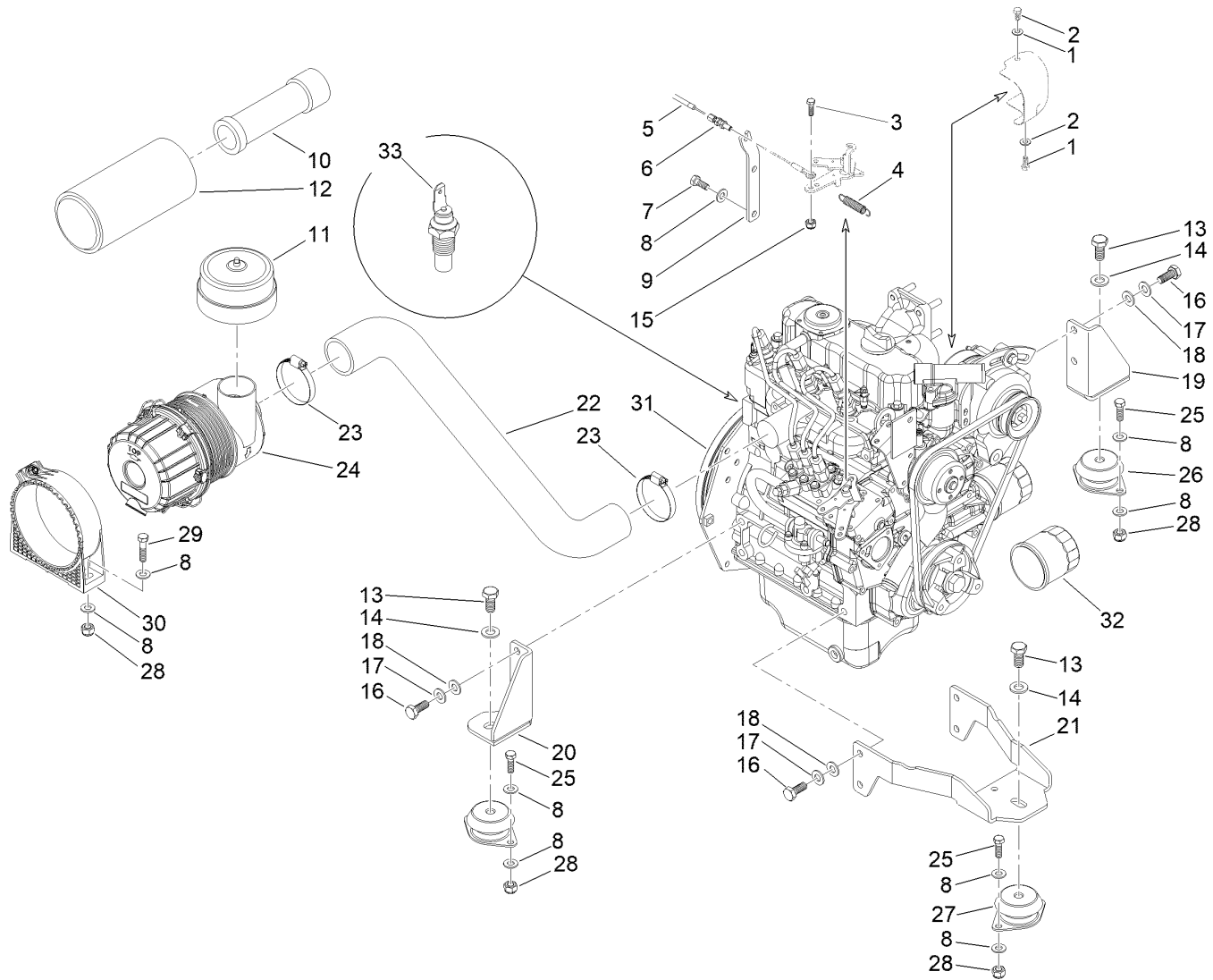
Exhaust Manifold Assembly



Exhaust Manifold Assembly (continued)

<i>Ref.</i>	<i>Part Number</i>	<i>Qty.</i>	<i>Description</i>	<i>Ref.</i>	<i>Part Number</i>	<i>Qty.</i>	<i>Description</i>
1	134-9095	4	Screw	8	134-1166	8	Nut
2	134-1054	4	Washer	9	134-3126	2	Washer
3	134-1045	4	Washer	10	134-1011	2	Screw
4	134-9098	1	Cover, Muffler	11	134-9097	1	Manifold, Exhaust
5	134-9096	1	Muffler	12	134-1054	2	Washer
6	134-9093	2	Gasket, Muffler	13	134-9847	1	Tape, Muffler
7	134-9094	1	Flange, Muffler	14	134-9848	1	Plate, Spacer-Muffler

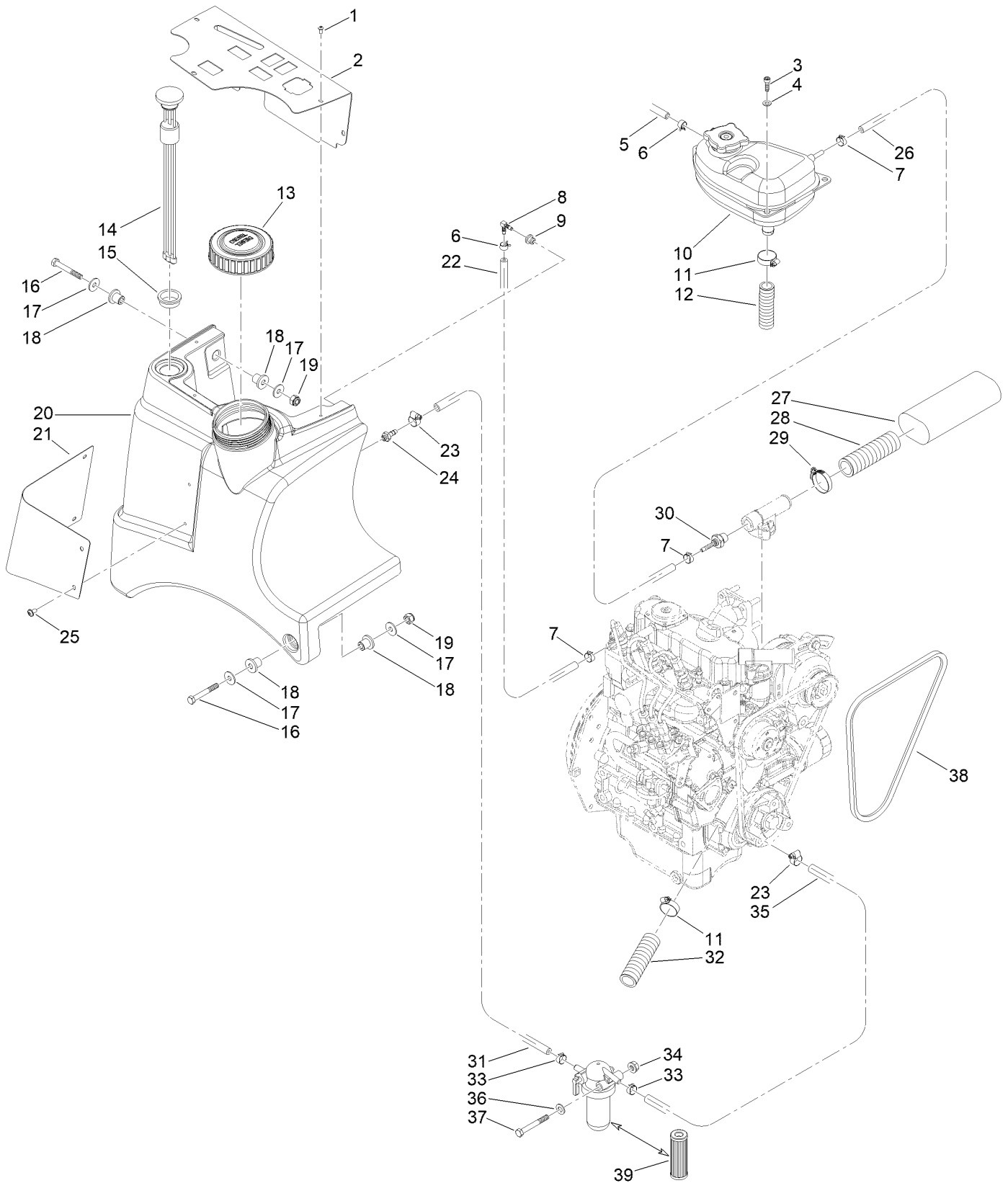
Engine and Air Filter Assembly



Engine and Air Filter Assembly (continued)

<i>Ref.</i>	<i>Part Number</i>	<i>Qty.</i>	<i>Description</i>	<i>Ref.</i>	<i>Part Number</i>	<i>Qty.</i>	<i>Description</i>
1	134-9104	2	Screw-HH, Cap	18	134-1046	8	Washer
2	134-1044	2	Washer	19	134-9105	1	Support-Front, Engine RH
3	134-1008	1	Screw	20	134-9108	1	Support-Front, Engine LH
4	134-9110	1	Spring	21	134-9112	1	Engine Support, Rear
5	134-9163	1	Cable, Throttle	22	134-9109	1	Hose, Engine Intake
6	134-9111	1	Screw HH	23	134-1103	2	Clamp
7	134-1011	2	Screw	24	134-0575	1	Filter-Air
8	134-1045	18	Washer	25	134-1015	6	Screw
9	134-9113	1	Bracket, Throttle Cable	26	134-9103	2	Shock Absorber
10	134-0576	1	Element-Air Filter, Inner	27	134-1157	1	Shock Absorber
11	134-0567	1	Prefilter-Air	28	134-1038	8	Nut
12	134-0574	1	Cartridge-Filter	29	134-1014	2	Screw
13	134-1020	3	Screw	30	134-1177	1	Clamp
14	134-1047	3	Washer	31	134-9482	1	Engine
15	134-1042	1	Nut	32	134-9483	1	Oil-Filter
16	134-2956	8	Screw	33	134-9849	1	Sensor, Coolant-Temp
17	134-1051	8	Washer				

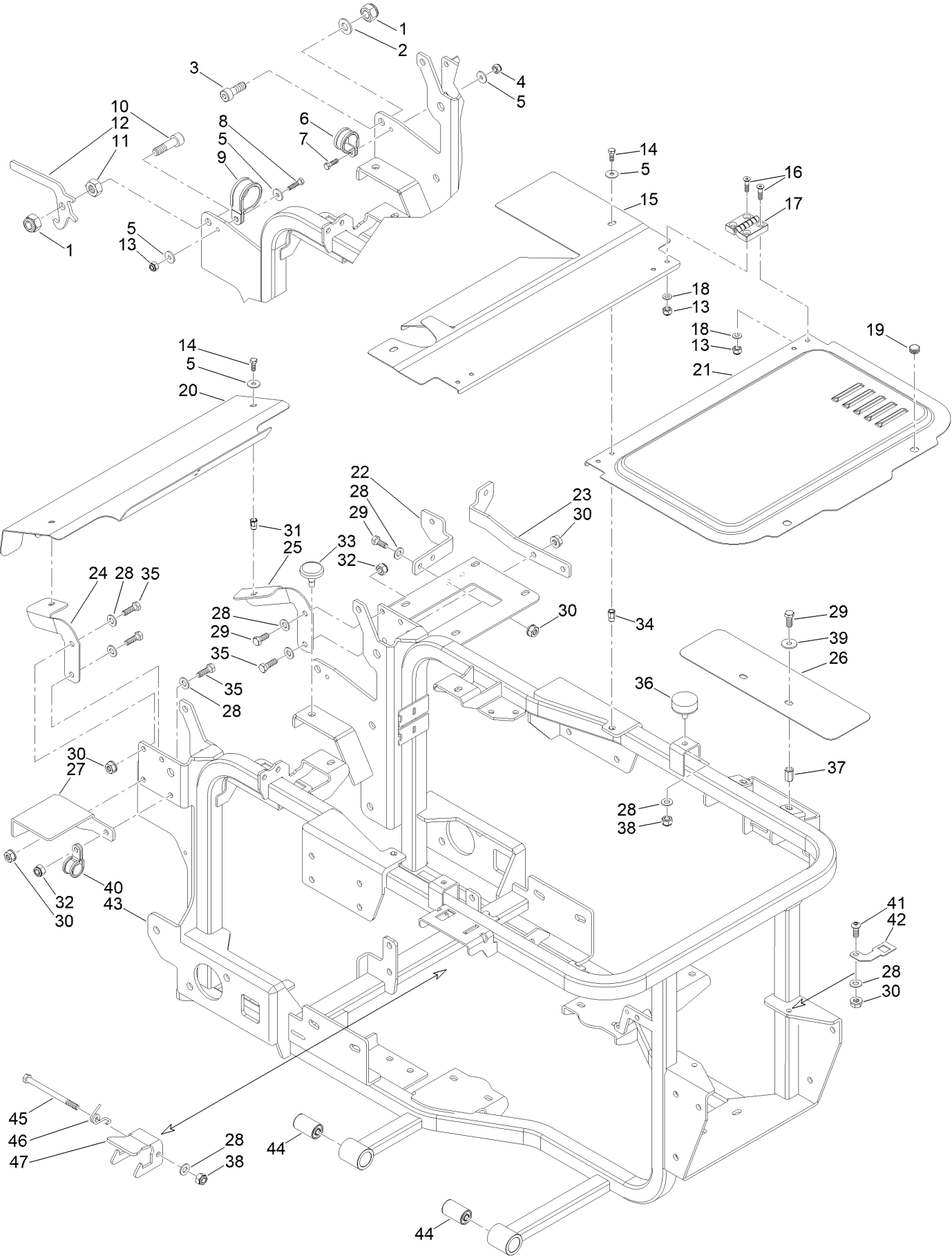
Engine Fuel Tank and Water Expansion Tank Assembly



Engine Fuel Tank and Water Expansion Tank Assembly (continued)

<i>Ref.</i>	<i>Part Number</i>	<i>Qty.</i>	<i>Description</i>	<i>Ref.</i>	<i>Part Number</i>	<i>Qty.</i>	<i>Description</i>
1	134-9117	5	Screw-H-Sckt B Head Cap	21	134-9122	1	Cover, Fuel Tank
2	134-9116	1	Dashboard, LH	22	134-9129	1	Hose
3	134-1071	3	Screw	23	134-8234	2	Clip-Worm
4	134-1044	3	Washer	24	134-9121	1	Fitting,
5	134-2973	1	Pipe	25	134-1314	4	Screw
6	134-1199	2	Clamp	26	134-9115	1	Hose
7	134-1200	3	Clamp	27	134-9266	1	Hose Guard
8	134-9124	1	Fitting, 90 DEG	28	134-9265	1	Hose, Radiator 25X1240
9	134-9125	1	Gasket, Fitting Ws5	29	134-1277	1	Clamp
10	134-9130	1	Water Expansion Tank	30	134-9114	1	Fitting-Taper
11	134-9320	2	Clamp	31	134-9127	1	Hose-Rubber
12	134-9268	1	Hose, Radiator	32	134-9267	1	Hose, Radiator
13	134-1988	1	Cap-Tank, Diesel	33	134-1203	2	Clamp
14	134-9118	1	Fuel Gauge	34	134-1082	1	Nut
15	134-9119	1	Gasket, Fuel Gauge	35	134-9126	1	Hose
16	134-1024	3	Screw	36	134-1045	1	Washer
17	134-3126	6	Washer	37	134-2953	1	Screw
18	134-9120	6	Bushing	38	134-9484	1	Belt, Engine
19	134-1038	3	Nut	39	134-9485	1	Filter, Gasoline
20	134-9128	1	Fuel Tank				

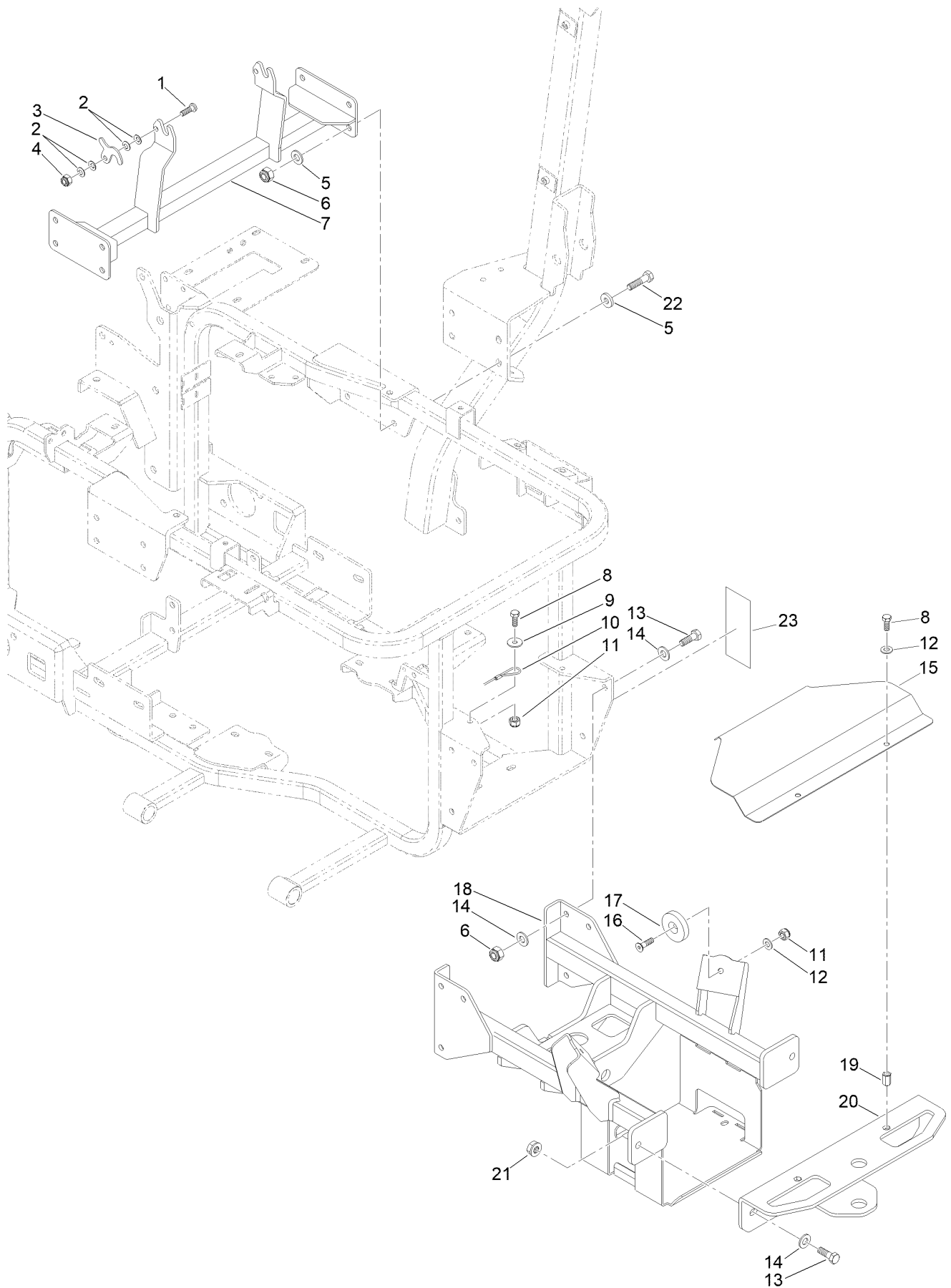
Main Frame Assembly



Main Frame Assembly (continued)

<i>Ref.</i>	<i>Part Number</i>	<i>Qty.</i>	<i>Description</i>	<i>Ref.</i>	<i>Part Number</i>	<i>Qty.</i>	<i>Description</i>
1	134-0561	2	Nut	25	134-9140	1	Bracket, RH Chute Box
2	134-1047	1	Washer	26	134-9141	1	Cover, Muffler Collector
3	134-9146	1	Screw, H-Sckt Cap	27	134-9137	1	Bracket, Fuel Tank
4	134-1041	1	Nut	28	134-1045	10	Washer
5	134-1234	7	Washer	29	134-1011	5	Screw
6	134-1318	1	Clamp	30	134-1082	7	Nut
7	134-1009	1	Screw	31	134-1257	2	Insert-Threaded
8	134-1028	1	Screw	32	134-1038	2	Nut
9	134-1319	1	Clamp	33	134-9144	2	Plug, Shock-Absorber
10	134-9147	1	Screw, H-Sckt Cap	34	134-1194	2	Insert-Threaded
11	134-1035	1	Nut	35	134-1015	4	Screw
12	134-9148	1	Hook, Platform	36	134-1338	2	Pad-Rubber
13	134-1042	5	Nut	37	134-9193	2	Insert-Hex
14	134-1008	4	Screw	38	134-1092	2	Nut
15	134-9135	1	Cover, Engine Box	39	134-3126	2	Washer
16	134-9131	4	Screw, H-Sckt Csk	40	134-1197	1	Clamp
17	134-1147	2	Hinge-Plastic	41	134-9149	1	Screw, H-Sckt B Head
18	134-1044	4	Washer	42	134-9150	1	Fuse Support
19	134-3007	1	Plug-Rubber	43	134-9170	1	Chassis, Main
20	134-9138	1	Cover, Chute Box	44	134-9142	3	Shock Absorber
21	134-9136	1	Bonnet, Engine Box	45	134-9132	1	Screw-HH
22	134-9143	1	Bracket, Fairing Side	46	134-9133	1	Spring-Torsion
23	134-9145	1	Bracket, Fairing Front	47	134-9134	1	Handle, Radiator
24	134-9139	1	Bracket, LH Chute Box				

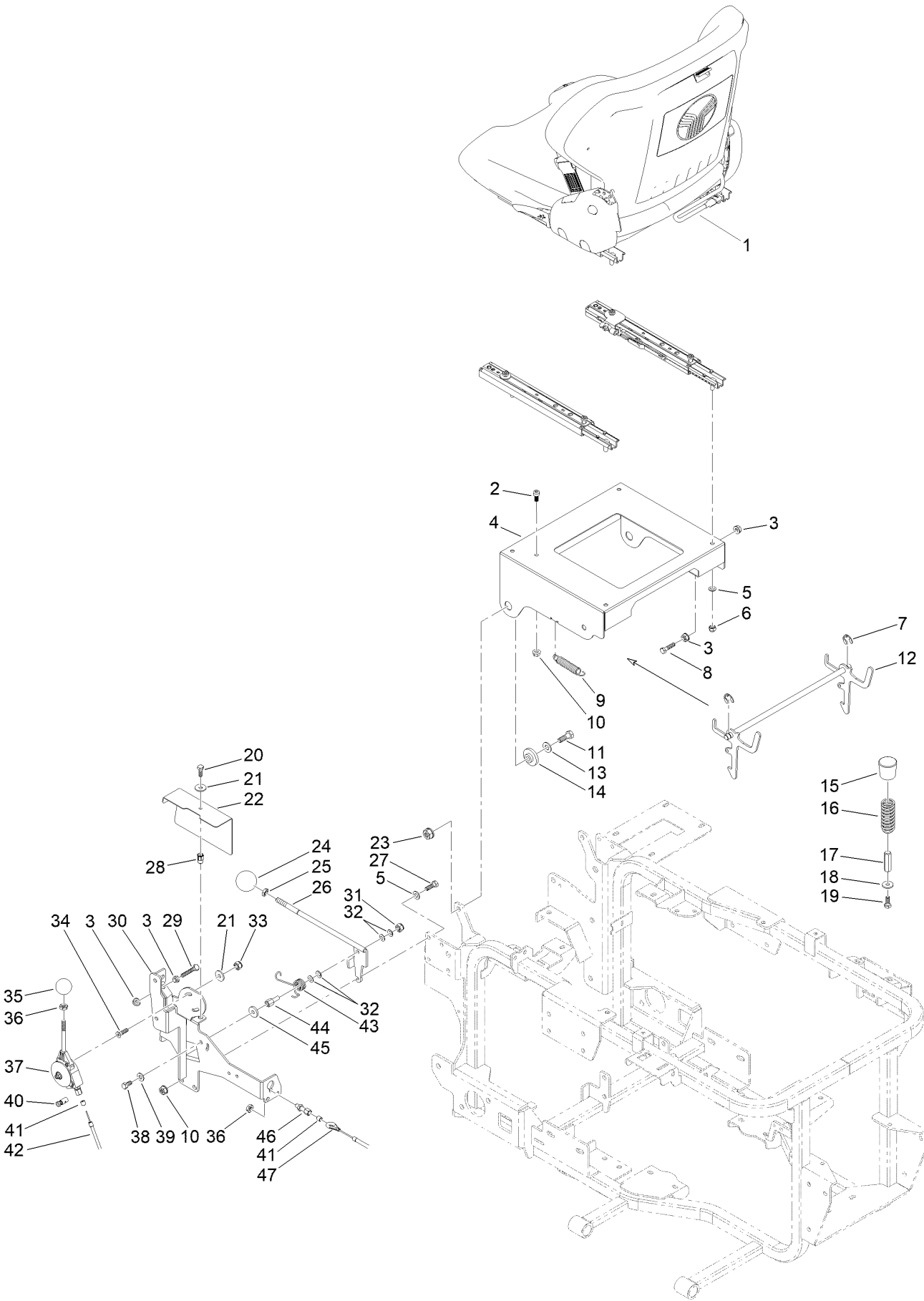
Central Bar and Rear Axle Frame Assembly



Central Bar and Rear Axle Frame Assembly (continued)

<i>Ref.</i>	<i>Part Number</i>	<i>Qty.</i>	<i>Description</i>	<i>Ref.</i>	<i>Part Number</i>	<i>Qty.</i>	<i>Description</i>
1	134-1302	1	Screw	13	134-1023	8	Screw
2	134-9164	4	Washer, Belleville	14	134-1046	14	Washer
3	134-9155	2	Hook, Chute	15	134-9153	1	Cover, Battery
4	134-1038	1	Nut	16	134-1121	1	Screw
5	134-9408	16	Washer	17	134-0759	2	Support
6	134-1079	14	Nut	18	134-9151	1	Chassis, Rear Axle
7	134-9154	1	Chassis, Central Bar	19	134-9193	2	Insert-Hex
8	134-1011	3	Screw	20	134-9152	1	Bumper
9	134-3126	1	Washer	21	134-3009	2	Nut
10	134-9264	1	Cable, Radiator	22	134-1030	8	Screw
11	134-1092	2	Nut	23	134-8378	1	Decal-Model/Serial
12	134-1045	3	Washer				

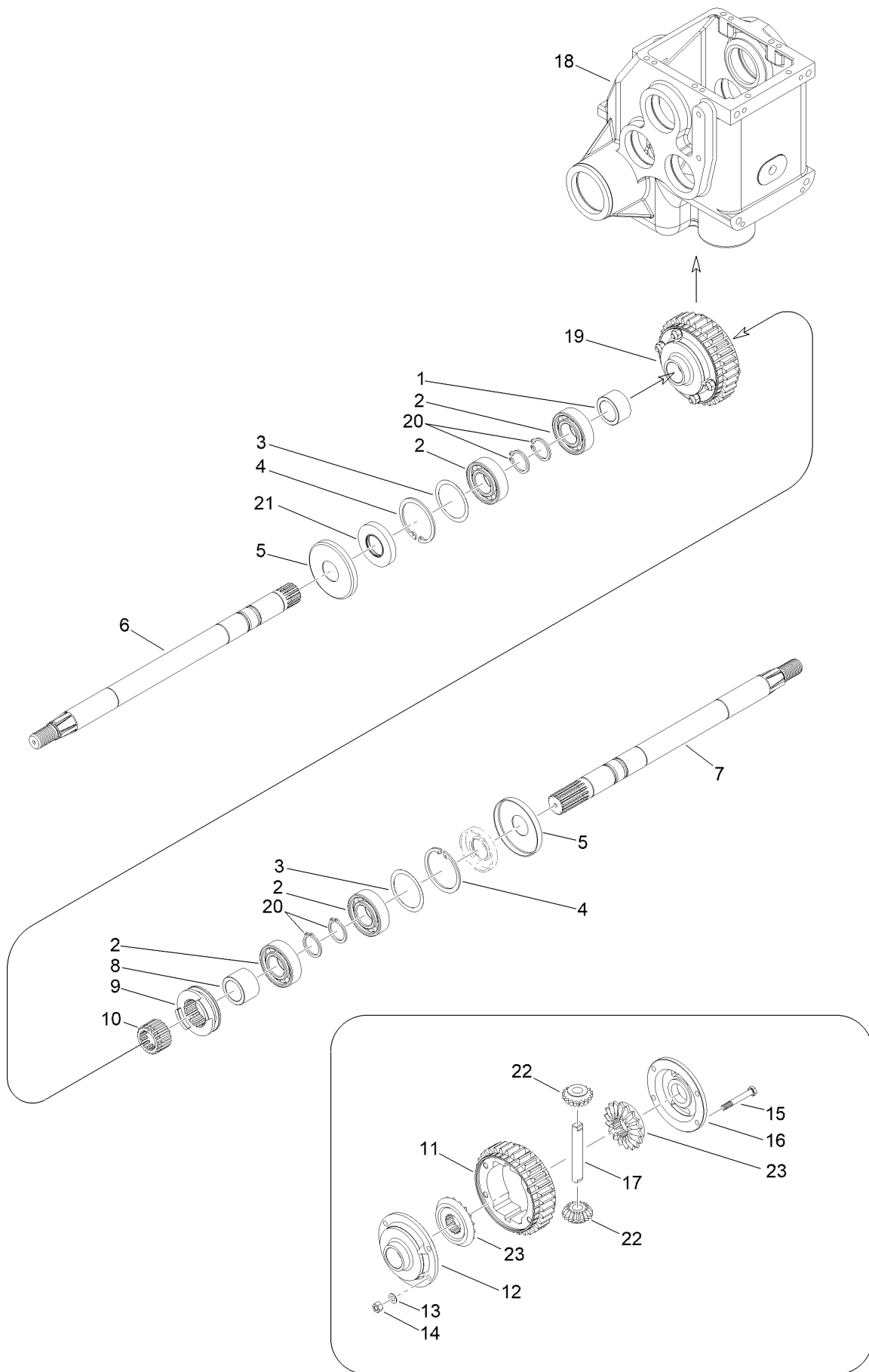
Operator Platform and Seat Assembly



Operator Platform and Seat Assembly (continued)

<i>Ref.</i>	<i>Part Number</i>	<i>Qty.</i>	<i>Description</i>	<i>Ref.</i>	<i>Part Number</i>	<i>Qty.</i>	<i>Description</i>
1	134-9171	1	Seat, S421	26	134-9169	1	Handle, Parking Brake
2	134-9172	1	Screw	27	134-1015	2	Screw
3	134-1084	4	Nut	28	134-1257	1	Insert-Threaded
4	134-9159	1	Support, Seat	29	134-9158	1	Screw, H-Sckt Csk
5	134-1045	6	Washer	30	134-9165	1	Support, Throttle/Parking Brake Devices
6	134-1038	4	Nut	31	134-1092	1	Nut
7	134-1099	2	Ring-Snap	32	134-9164	4	Washer, Belleville
8	134-1028	1	Screw	33	134-1042	2	Nut
9	134-1353	1	Spring	34	134-3111	2	Screw
10	134-1082	3	Nut	35	134-1146	1	Ball
11	134-1023	2	Screw	36	134-1078	2	Nut
12	134-9156	1	Hook, Seat	37	134-0568	1	Lever-Throttle
13	134-1051	2	Washer	38	134-1010	1	Screw
14	134-0689	2	Bushing	39	134-1054	1	Washer
15	134-9160	2	Plug, Rubber	40	134-8128	1	Cable-Clamp
16	134-9161	2	Spring-Compression	41	134-8129	2	Cable-End, Nipple
17	134-9162	2	Column - Hex	42	134-9163	1	Cable, Throttle
18	134-3126	2	Washer	43	134-9167	1	Spring, Parking Brake Handle
19	134-1011	2	Screw	44	134-9168	1	Pivot, Parking Brake Handle
20	134-1008	1	Screw	45	134-8037	1	Washer-Plain
21	134-1234	3	Washer	46	134-9283	1	Register
22	134-9157	1	Cover, Parking Brake Lever	47	134-9211	1	Cable, Parking-Brake
23	134-3009	2	Nut				
24	134-9166	1	Ball, Threaded Insert M10				
25	134-1043	1	Nut				

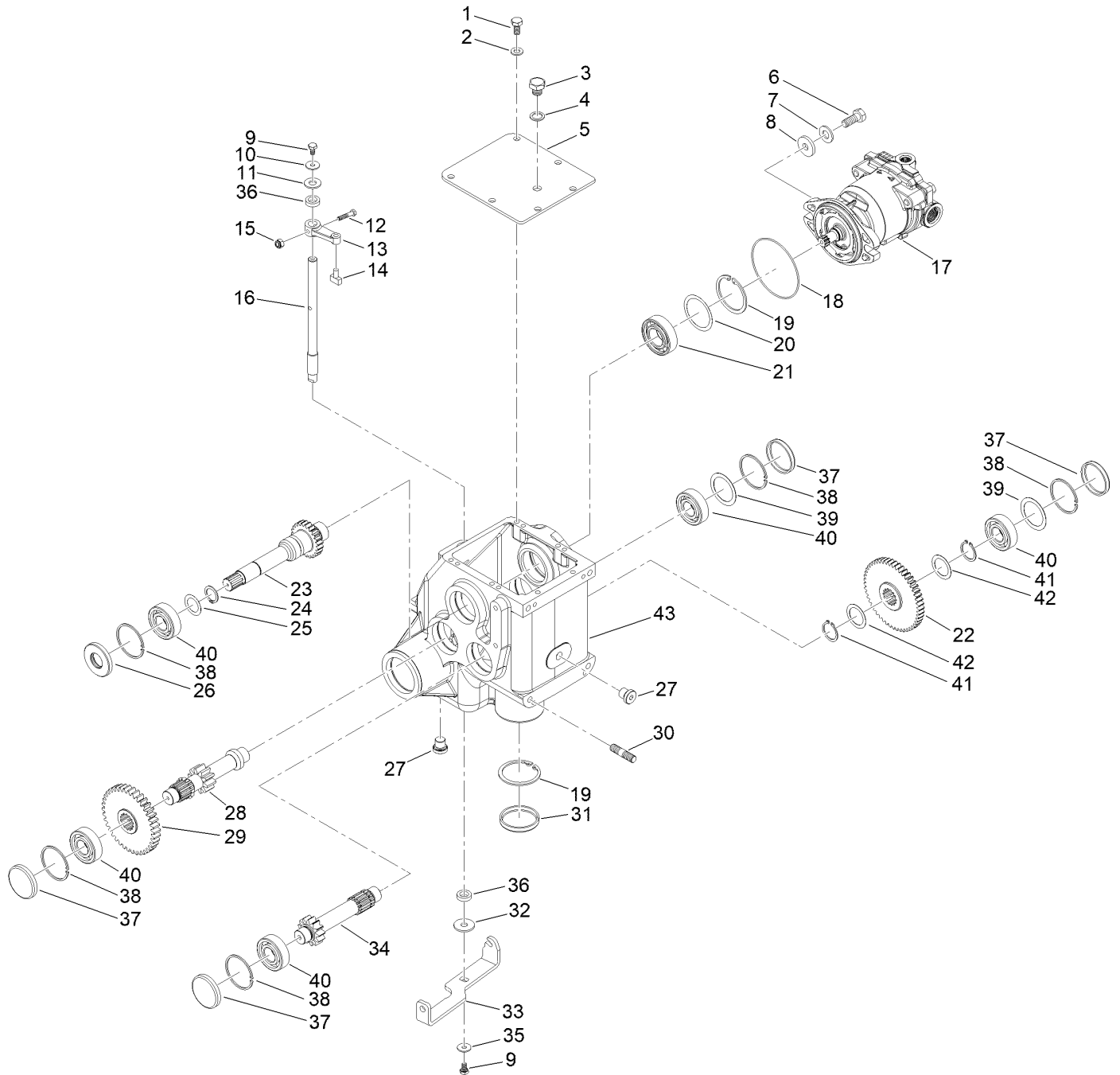
Gearbox Assembly No. 1



Gearbox Assembly No. 1 (continued)

<i>Ref.</i>	<i>Part Number</i>	<i>Qty.</i>	<i>Description</i>	<i>Ref.</i>	<i>Part Number</i>	<i>Qty.</i>	<i>Description</i>
1	134-9418	1	Spacer, Shaft	13	134-3027	4	Washer-Wave
2	134-5172	4	Bearing	14	134-1039	4	Nut
3	134-0996	2	Spacer	15	134-9426	4	Screw-HH
4	134-1057	2	Ring-Retaining, Int	16	134-9424	1	Cover, RH Differential Gear
5	134-7646	2	Cap, Gearbox	17	134-9427	1	Pin, Satellite
6	134-9419	1	Driveshaft, LH	18	134-9587	1	Gearbox
7	134-9420	1	Driveshaft, RH	19	134-9589	1	Differential Gear, Assembly
8	134-9421	1	Spacer	20	134-9491	4	Retainer, Shaft
9	134-9422	1	Sleeve, Differential Lock	21	134-9492	1	Seal, Oil
10	134-9423	1	Splined Bushing	22	134-9495	2	Gear, Satellite
11	134-9425	1	Spur Gear, Differential	23	134-9494	2	Gear, Planetary
12	134-9428	1	Cover, LH Differential Gear				

Gearbox Assembly No. 2



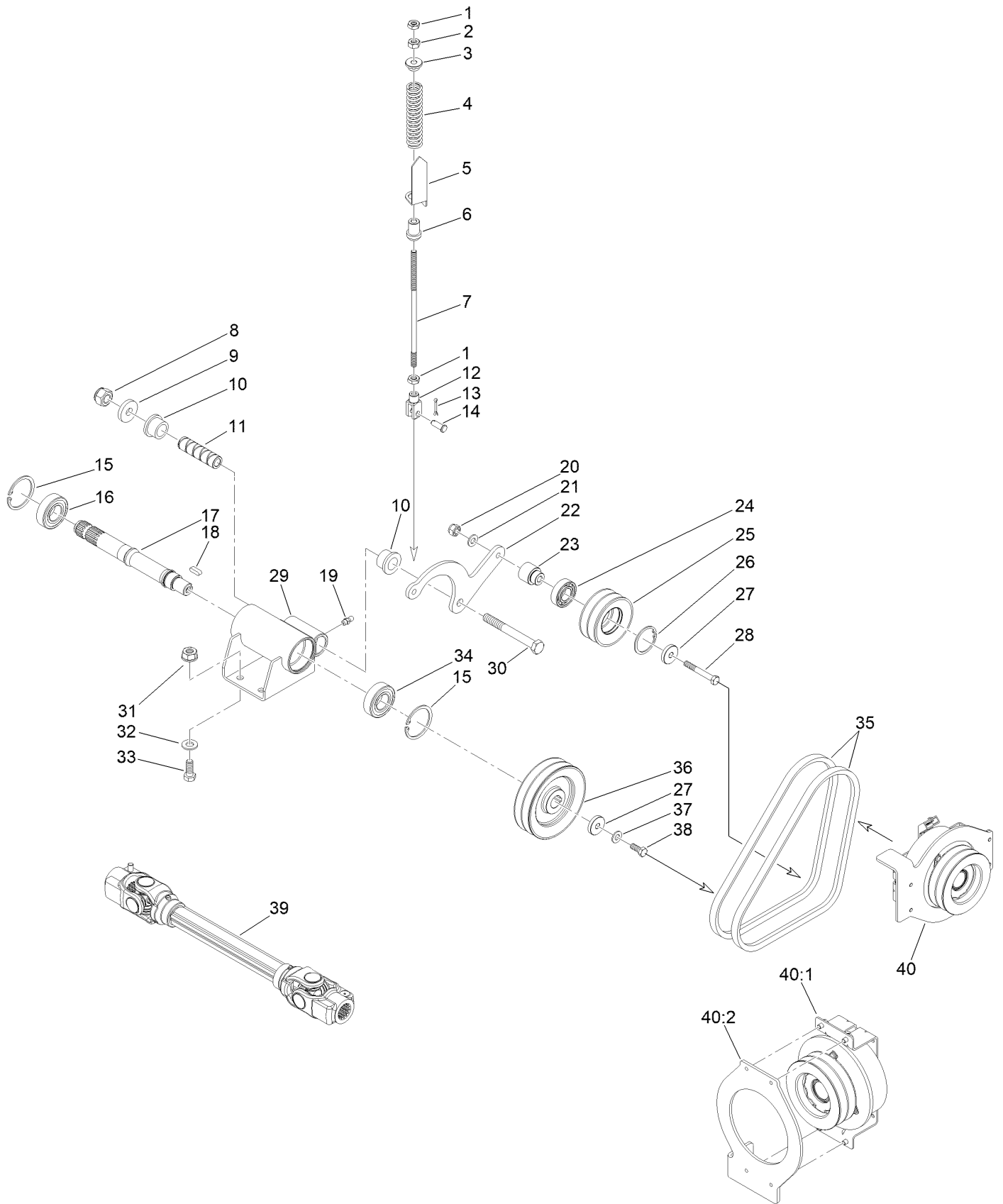
Gearbox Assembly No. 2 (continued)

<i>Ref.</i>	<i>Part Number</i>	<i>Qty.</i>	<i>Description</i>	<i>Ref.</i>	<i>Part Number</i>	<i>Qty.</i>	<i>Description</i>
1	134-1010	6	Screw	24	134-1060	1	Ring-Retaining, Int
2	134-1045	6	Washer	25	134-1354	1	Spacer
3	134-9435	1	Plug-HH	26	134-9443	1	Oil Seal
4	134-1255	1	Washer	27	134-7645	2	Plug, Gearbox
5	134-9434	1	Cover, Transmission Gearbox	28	134-9446	1	Shaft, Tertiary Transmission Gearbox
6	134-1023	2	Screw	29	134-9447	1	Spur Gear, Tertiary Shaft
7	134-1051	2	Washer	30	134-9433	4	Stud
8	134-1337	2	Washer	31	134-1238	1	Cap
9	134-3008	2	Screw	32	134-9441	1	Washer
10	134-1232	1	Washer	33	134-9442	1	Bracket, Differential Lock
11	134-1047	1	Washer	34	134-9448	1	Shaft, Secondary Transmission Gearbox
12	134-9436	1	Screw-HH Cap	35	134-1234	1	Washer
13	134-9437	1	Lever, Differential Lock	36	134-9588	2	Oil Seal
14	134-9438	1	Pad, Differential Lock	37	134-9496	4	Plug, Rca
15	134-1094	1	Nut	38	134-9497	5	Retainer, Hub
16	134-9439	1	Shaft, Differential Lock	39	134-9498	2	Shim
17	134-9310	1	Motor, Transmission	40	134-9499	5	Bearing, DIA 20 X 47 X 14
18	134-9429	1	O-Ring	41	134-9586	2	Retainer, Shaft
19	134-1057	2	Ring-Retaining, Int	42	134-9585	2	Shim,
20	134-0996	1	Spacer	43	134-9587	1	Gearbox
21	134-5172	1	Bearing				
22	134-9432	1	Spur Gear, Secondary Shaft				
23	134-9444	1	Shaft, Primary Transmission Gearbox				

Transmission Assembly (continued)

<i>Ref.</i>	<i>Part Number</i>	<i>Qty.</i>	<i>Description</i>	<i>Ref.</i>	<i>Part Number</i>	<i>Qty.</i>	<i>Description</i>
1	134-9185	1	Belt, Transmission Pump	26	134-3009	4	Nut
2	134-1008	1	Screw	27	134-9408	2	Washer
3	134-1235	1	Washer	28	134-1079	2	Nut
4	134-9180	1	Pulley, Transmission Pump	29	134-1355	1	Washer
5	134-9181	1	Key	30	134-1054	1	Washer
6	134-1258	1	Fitting-Grease	31	134-9186	1	Screw-HH
7	134-9182	1	Pivot, Belt Tensioner	32	134-9306	1	Pump, Transmission
8	134-1014	2	Screw	33	134-9187	1	Skid, Transmission Pipes
9	134-0997	1	Washer	34	134-1023	4	Screw
10	134-9175	1	Retainer	35	134-1045	12	Washer
11	134-9176	1	Bearing	36	134-1042	1	Nut
12	134-9177	1	Pulley, Belt Tensioner	37	134-9188	1	Bracket, Neutral Switch
13	134-1264	1	Bushing	38	134-1039	1	Nut
14	134-9194	1	Bracket, Transmission Pump Belt Tensioner	39	134-1044	1	Washer
15	134-1078	2	Nut	40	134-9282	1	Cable, Transmission
16	134-9179	1	Bushing, Belt Tensioner	41	134-9370	1	Screw-HH
17	134-1082	7	Nut	42	134-2956	1	Screw
18	134-9183	1	Spring-Torsion	43	134-1051	1	Washer
19	134-1011	14	Screw	44	134-9189	1	Washer
20	134-3126	4	Washer	45	134-9173	1	Clutch, Gt1.5-GR15D
21	134-9196	1	Cover, Transmission Pump	46	134-9174	1	Brake, Clutch
22	134-1030	2	Screw	47	134-9191	1	Pulley, Engine
23	134-1046	6	Washer	48	134-9192	1	Key
24	134-9193	4	Insert-Hex	49	134-9190	1	Shaft, Engine
25	134-9184	1	Support, Transmission Pump	50	134-9197	1	Cover, Engine Flywheel
				51	134-1010	2	Screw
				52	134-9198	1	Cover, Engine Belt

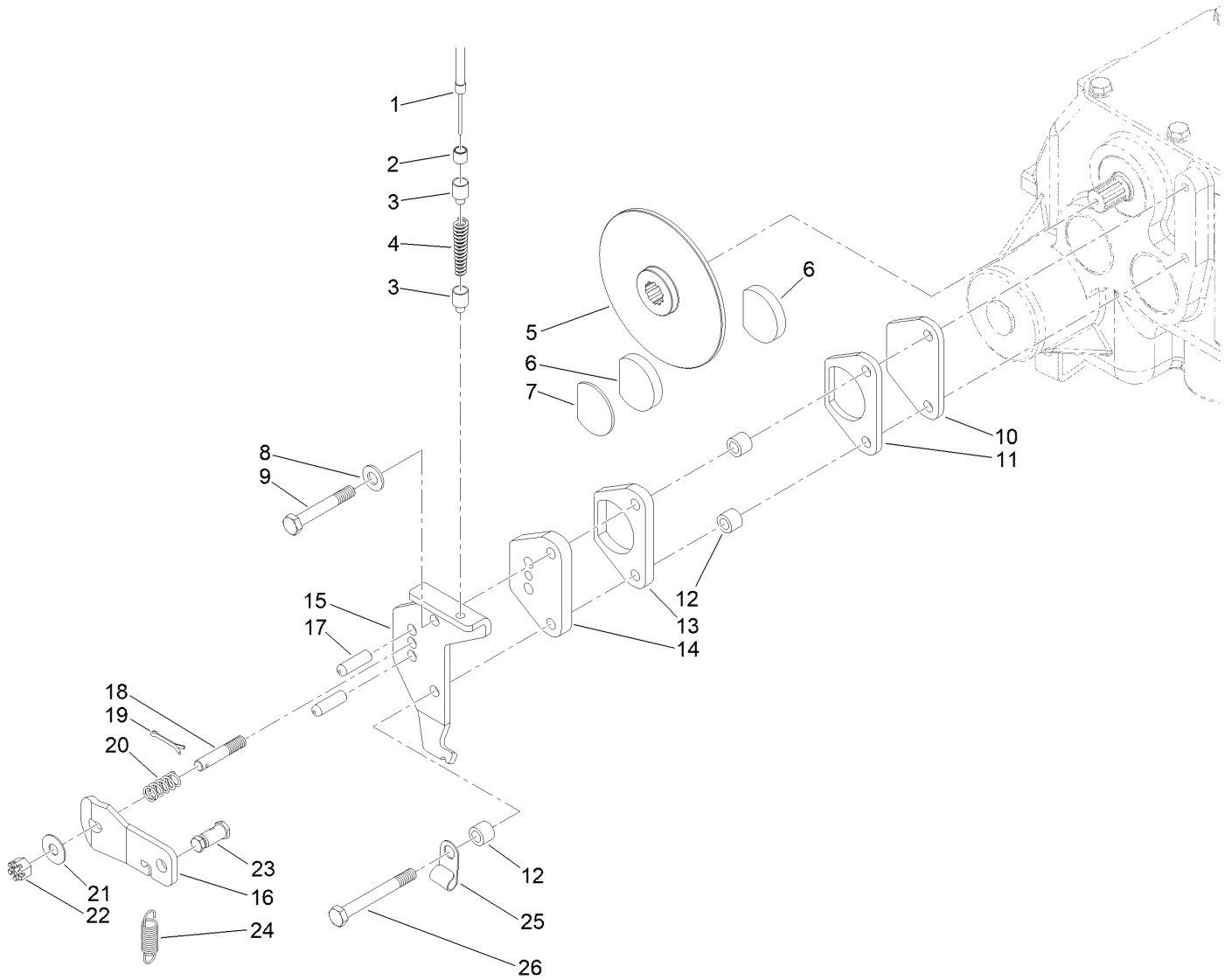
Transmission, PTO and Drive Shaft Assembly



Transmission, PTO and Drive Shaft Assembly (continued)

<i>Ref.</i>	<i>Part Number</i>	<i>Qty.</i>	<i>Description</i>	<i>Ref.</i>	<i>Part Number</i>	<i>Qty.</i>	<i>Description</i>
1	134-1078	2	Nut	22	134-9199	1	Bracket, PTO Belt Tensioner
2	134-1034	1	Nut	23	134-0784	1	Bushing
3	134-1349	1	Guide-Spring	24	134-1107	1	Bearing
4	134-9028	1	Spring-Extension	25	134-9200	1	Pulley, PTO Belt Tensioner
5	134-9209	1	Indicator, PTO Belt Tensioner	26	134-1058	1	Ring-Retaining, Int
6	134-0783	1	Pin-Guide, Nylon	27	134-1355	2	Washer
7	134-9210	1	Rod, PTO Belt Tensioner	28	134-1024	1	Screw
8	134-2969	1	Nut	29	134-9205	1	Hub, PTO
9	134-0866	1	Washer	30	134-1075	1	Screw
10	134-1249	2	Bushing	31	134-3009	4	Nut
11	134-1351	1	Spacer	32	134-1046	4	Washer
12	134-1271	1	Fork-Clevis, M8	33	134-1018	4	Screw
13	134-1132	1	Pin-Spring	34	134-9201	1	Bearing
14	134-1236	1	Pin	35	134-9206	2	Belt, PTO
15	134-1057	2	Ring-Retaining, Int	36	134-9202	1	Pulley, PTO Shaft
16	134-1105	1	Bearing	37	134-1054	1	Washer
17	134-9204	1	Shaft, PTO	38	134-1015	1	Screw
18	134-8267	1	Key	39	134-9203	1	Shaft, Cardan Joint
19	134-1065	1	Fitting-Grease	40	134-9207	1	Clutch Assy
20	134-1038	1	Nut	40:1	134-9173	1	Clutch, Gt1.5-GR15D
21	134-1045	1	Washer	40:2	134-9174	1	Brake, Clutch

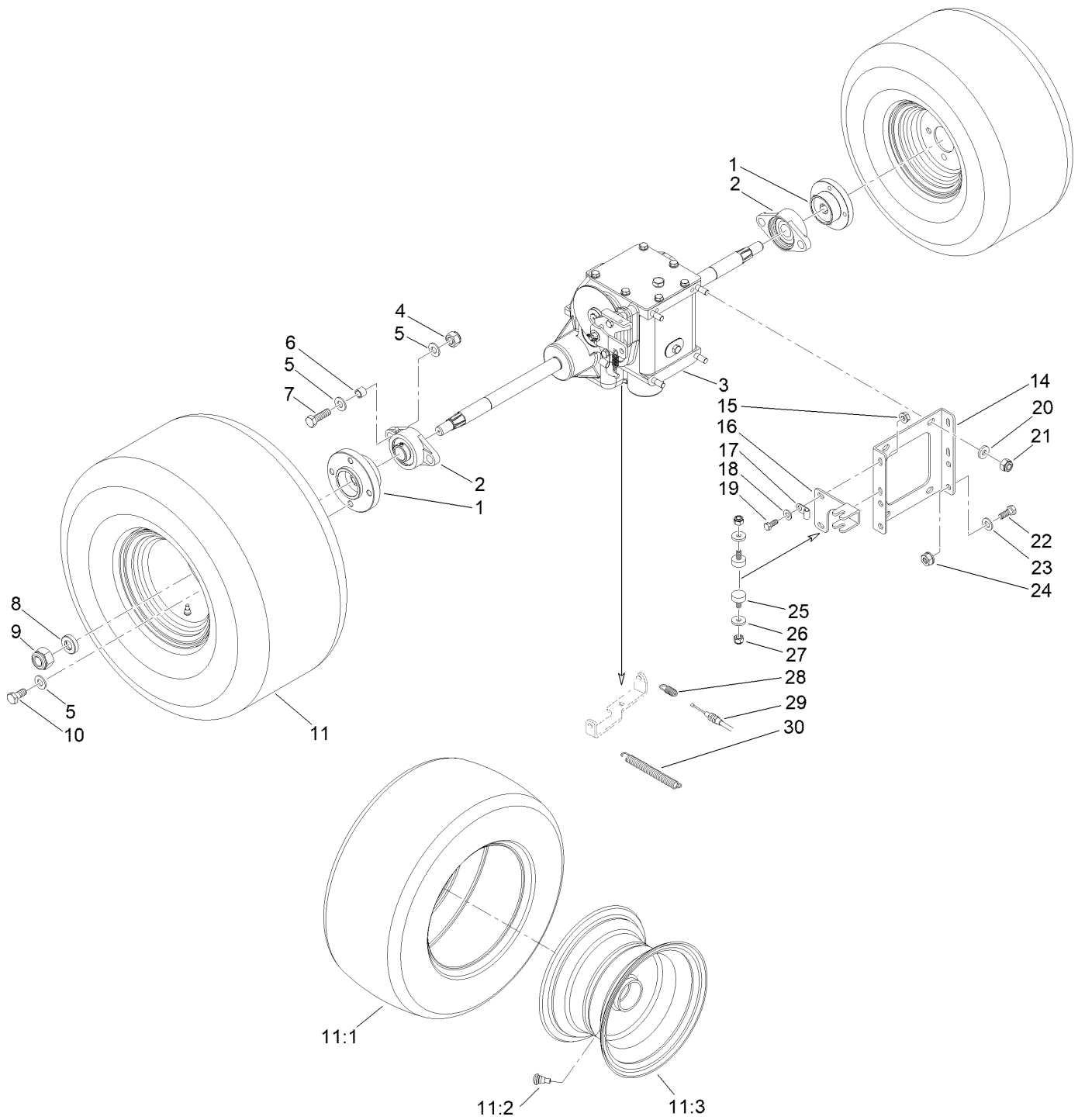
Parking Brakes Assembly



Parking Brakes Assembly (continued)

<i>Ref.</i>	<i>Part Number</i>	<i>Qty.</i>	<i>Description</i>	<i>Ref.</i>	<i>Part Number</i>	<i>Qty.</i>	<i>Description</i>
1	134-9211	1	Cable, Parking-Brake	14	134-9221	1	Support, Pad
2	134-8129	1	Cable-End, Nipple	15	134-9222	1	Support, Parking Brake Lever
3	134-9212	2	Bushing, Parking Brake Cable	16	134-9223	1	Lever, Parking Brake
4	134-9213	1	Spring-Compression	17	134-9231	2	Pin
5	134-9216	1	Disc, Parking Brake	18	134-9226	1	Stud, Parking Brake
6	134-9214	2	Pad, Parking Brake	19	134-9227	1	Pin
7	134-9215	1	Shim, Parking Brake Pad	20	134-9228	1	Spring, Parking Brake Lever
8	134-1045	1	Washer	21	134-9224	1	Shim
9	134-2955	1	Screw	22	134-9225	1	Nut,
10	134-9217	1	Support, Pad	23	134-9229	1	Clamp, Parking Brake Cable
11	134-9218	1	Support, Pad	24	134-9230	1	Spring, Parking Brake Cable
12	134-9219	3	Spacer	25	134-1348	1	Grommet
13	134-9220	1	Support, Pad	26	134-3083	1	Screw

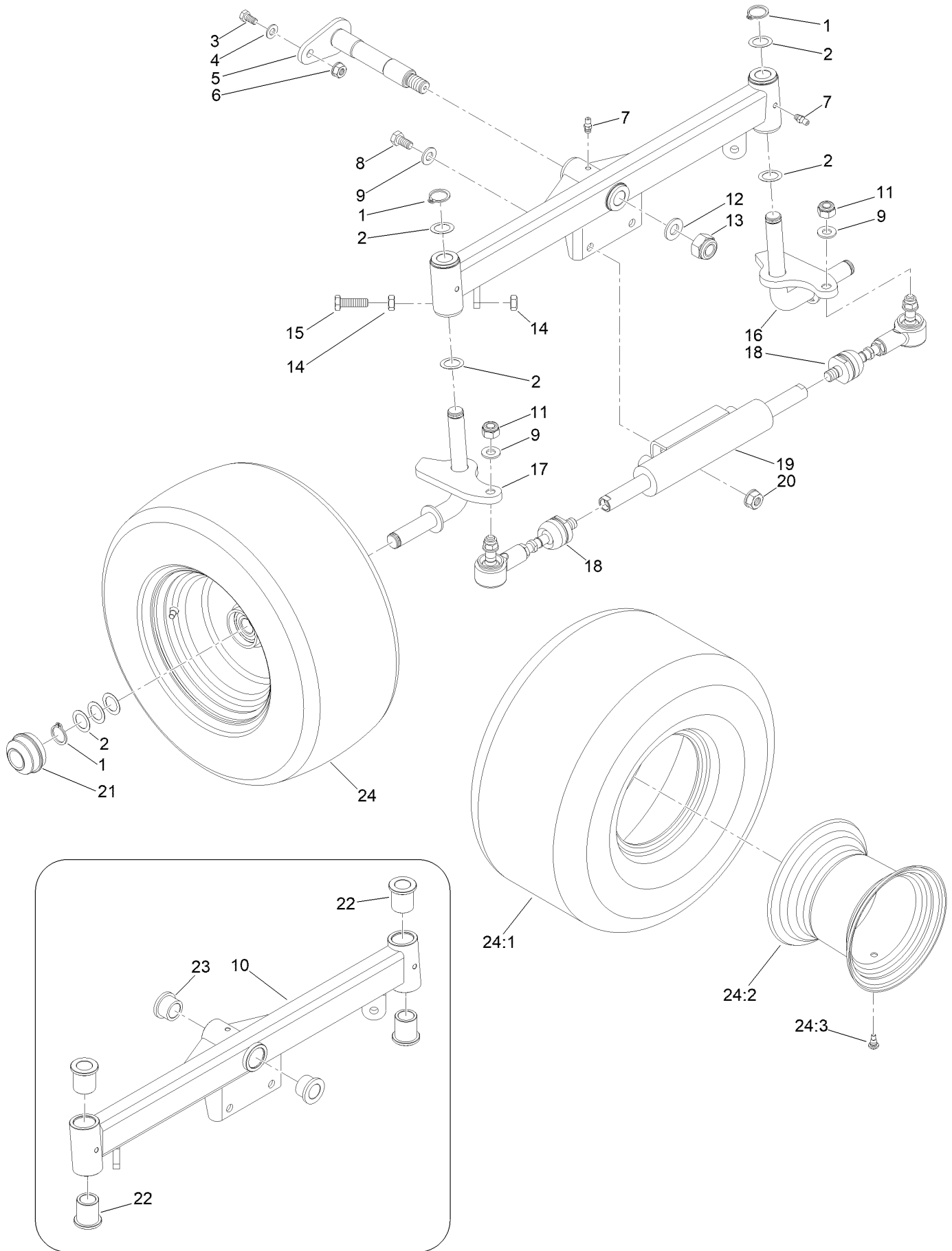
Axle and Front Wheels Assembly



Axle and Front Wheels Assembly (continued)

<i>Ref.</i>	<i>Part Number</i>	<i>Qty.</i>	<i>Description</i>	<i>Ref.</i>	<i>Part Number</i>	<i>Qty.</i>	<i>Description</i>
1	134-9241	2	Hub, Front Wheel	15	134-1082	2	Nut
2	134-9242	2	Bearing	16	134-9245	1	Retainer, Clutch
3	134-9237	1	Transmission Gearbox Assy	17	134-1348	1	Grommet
4	134-0561	2	Nut	18	134-1045	2	Washer
5	134-1047	12	Washer	19	134-1011	2	Screw
6	134-9244	2	Spacer	20	134-9408	4	Washer
7	134-3011	2	Screw-HH	21	134-1079	4	Nut
8	134-9243	2	Washer	22	134-1018	4	Screw
9	134-9239	2	Nut-HH	23	134-1046	4	Washer
10	134-1020	8	Screw	24	134-3009	4	Nut
11	134-9238	2	Front Wheel ASM	25	134-9233	2	Shock Absorber
11:1	134-9235	1	Tyre	26	134-8037	2	Washer-Plain
11:2	134-1261	1	Valve-Tire	27	134-1092	2	Nut
11:3	134-9236	1	Rim	28	134-9240	1	Spring, Diff Lock Cable
14	134-9232	1	Support, Transmission Gearbox	29	134-9288	1	Cable, Diff Lock
				30	134-9234	1	Spring, Diff Lock Lever

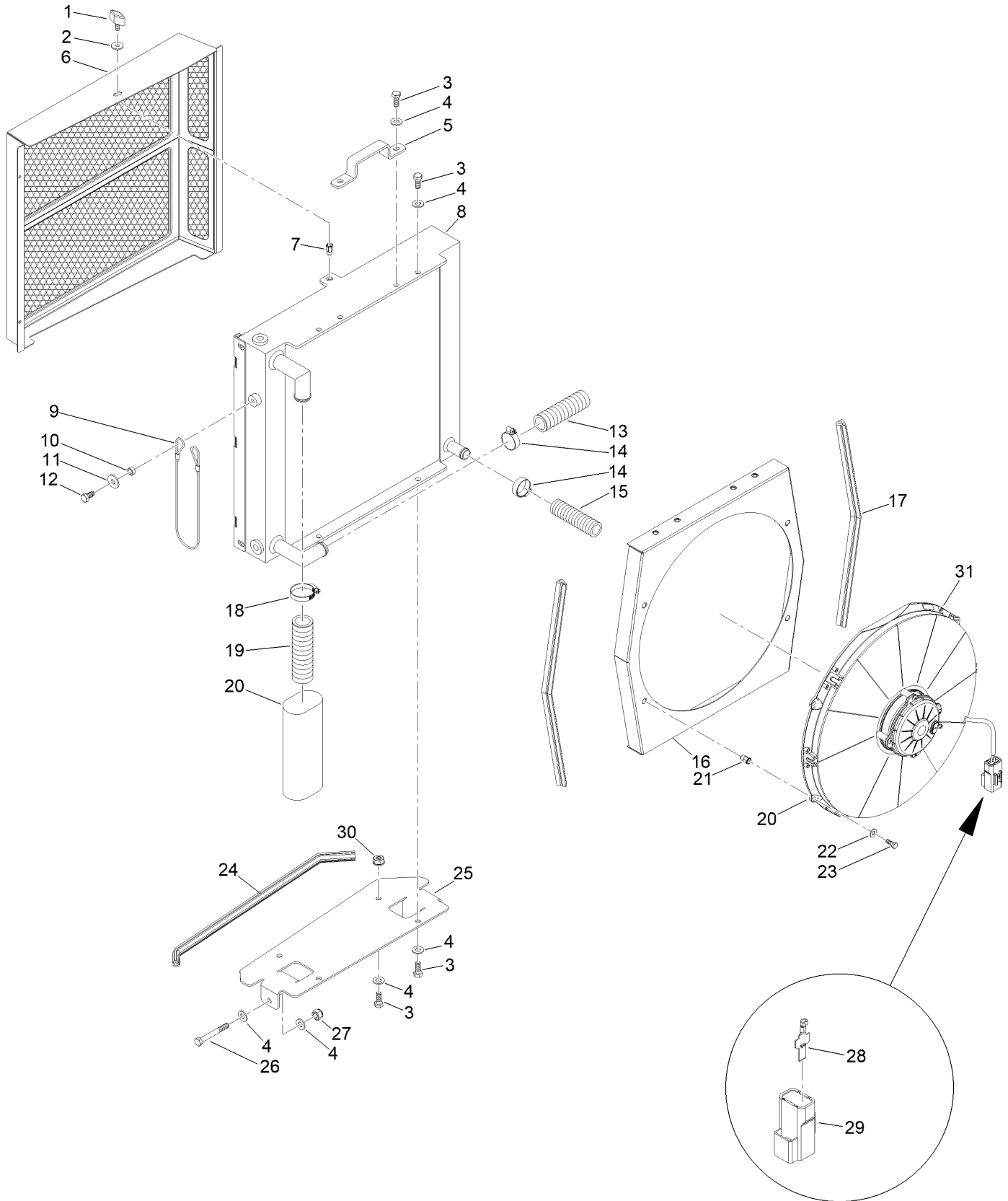
Axle and Steering Rear Assembly



Axle and Steering Rear Assembly (continued)

<i>Ref.</i>	<i>Part Number</i>	<i>Qty.</i>	<i>Description</i>	<i>Ref.</i>	<i>Part Number</i>	<i>Qty.</i>	<i>Description</i>
1	134-9250	4	Retainer	15	134-9252	2	Screw, HH
2	134-1354	7	Spacer	16	134-9259	1	Spindle, RH Rear Wheel
3	134-1015	1	Screw	17	134-9258	1	Spindle, LH Rear Wheel
4	134-1045	1	Washer	18	134-0860	2	Articulation
5	134-9254	1	Pivot, Rear Axle	19	134-9345	1	Ram
6	134-1082	1	Nut	20	134-3009	2	Nut
7	134-1065	3	Fitting-Grease	21	134-9251	2	Cover, Rear Wheel Hub
8	134-1017	2	Screw	22	134-9255	4	Bushing
9	134-1046	4	Washer	23	134-9256	2	Bushing
10	134-9246	1	Rear Axle	24	134-9249	2	Rear Wheel ASM
11	134-3110	2	Nut	24:1	134-9247	1	Tyre
12	134-1091	1	Nut	24:2	134-9248	1	Rim
13	134-3012	1	Washer	24:3	134-1261	1	Valve-Tire
14	134-9069	4	Nut				

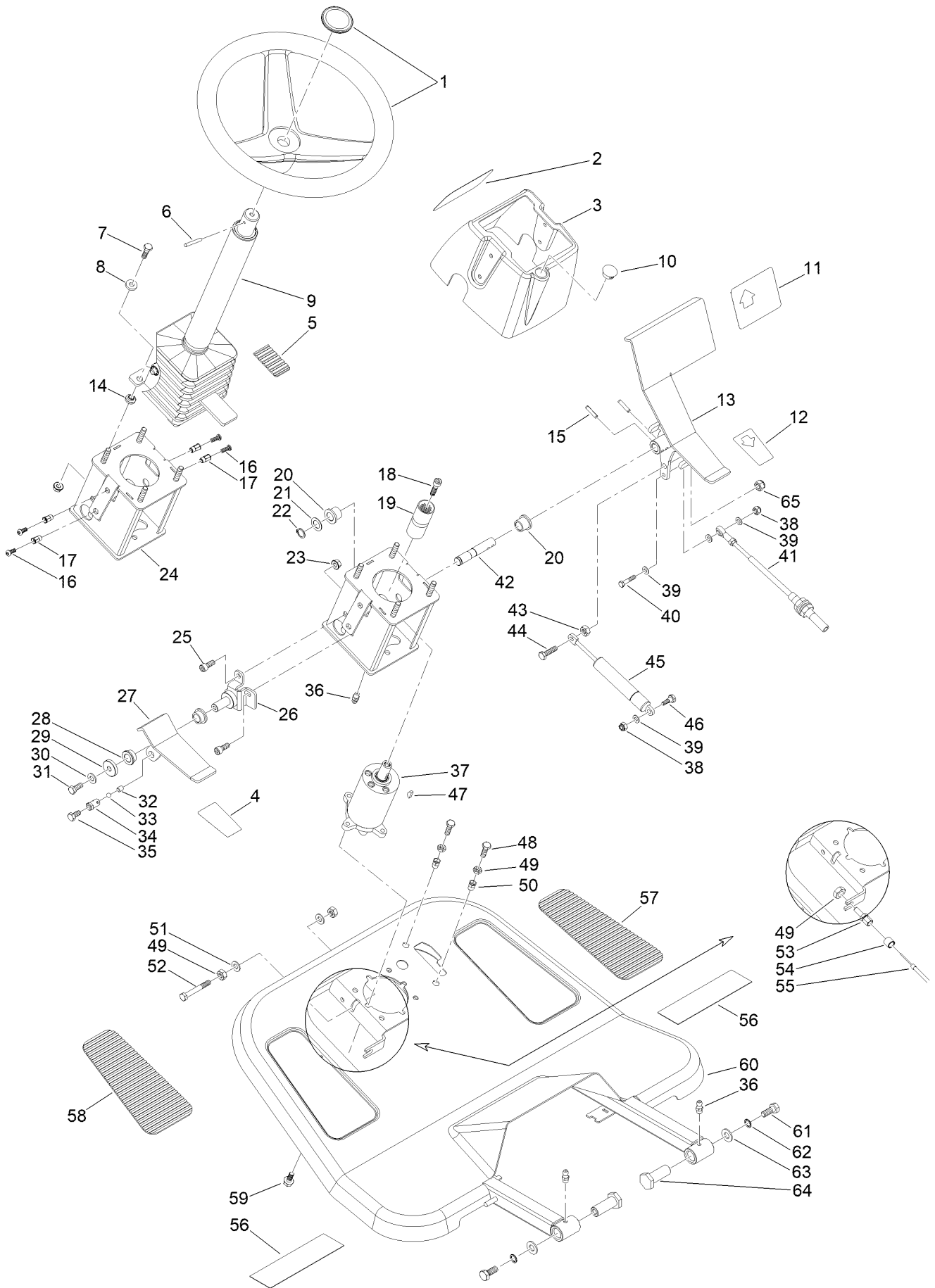
Cooling Water System Assembly



Cooling Water System Assembly (continued)

<i>Ref.</i>	<i>Part Number</i>	<i>Qty.</i>	<i>Description</i>	<i>Ref.</i>	<i>Part Number</i>	<i>Qty.</i>	<i>Description</i>
1	134-1148	1	Knob	17	134-9269	2	Gasket, MM 410
2	134-1234	1	Washer	18	134-1277	1	Clamp
3	134-1011	8	Screw	19	134-9265	1	Hose, Radiator 25X1240
4	134-1045	12	Washer	20	134-9266	1	Hose Guard
5	134-9260	1	Bracket, Radiator Handle	21	134-1257	4	Insert-Threaded
6	134-9262	1	Grid, Radiator	22	134-1044	4	Washer
7	134-1194	1	Insert-Threaded	23	134-1008	4	Screw
8	134-9261	1	Radiator	24	134-9272	1	Gasket, MM 440
9	134-9264	1	Cable, Radiator	25	134-9273	1	Support, Radiator
10	134-9263	1	Spacer	26	134-2953	2	Screw
11	134-3126	1	Washer	27	134-1038	2	Nut
12	134-1010	1	Screw	28	134-8133	2	Connector-Terminal
13	134-9267	1	Hose, Radiator	29	134-8132	1	Connector-2Way
14	134-9320	2	Clamp	30	134-1082	2	Nut
15	134-9268	1	Hose, Radiator	31	134-9271	1	Fan, Radiator
16	134-9270	1	Conveyor, Radiator				

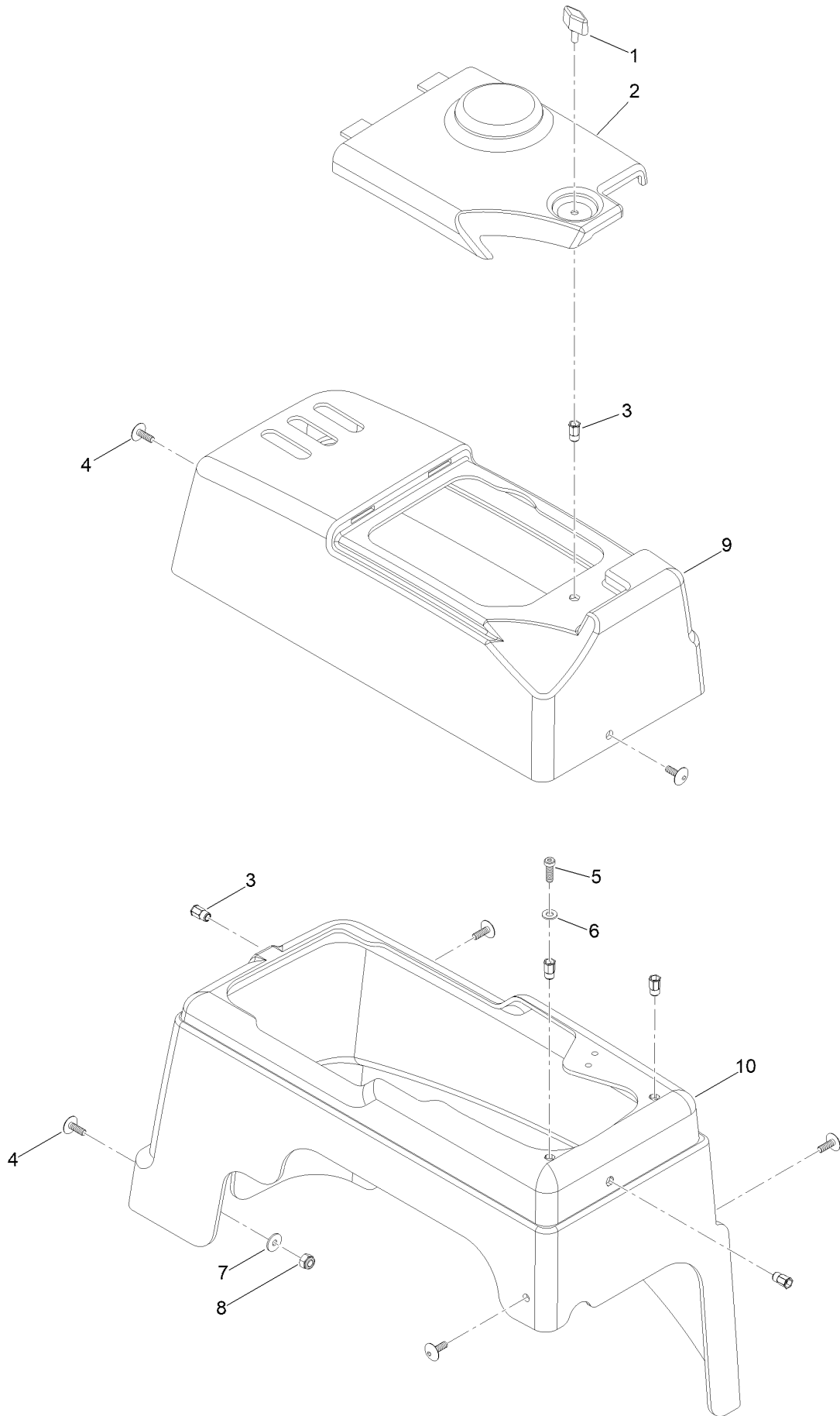
Body and Pedals Assembly



Body and Pedals Assembly (continued)

<i>Ref.</i>	<i>Part Number</i>	<i>Qty.</i>	<i>Description</i>	<i>Ref.</i>	<i>Part Number</i>	<i>Qty.</i>	<i>Description</i>
1	134-0958	1	Wheel-Steering	34	134-9478	1	Clamp, Brake Cable
2	126-5060	1	Decal-Logo, Toro	35	134-1010	1	Screw
3	134-9473	1	Shroud, Steering-Column	36	134-1065	3	Fitting-Grease
4	134-9474	1	Tape, Non-Slip	37	134-9344	1	Steering Valve
5	134-9475	1	Pad, Rubber	38	134-1042	2	Nut
6	134-1135	1	Plug	39	134-1044	4	Washer
7	134-1038	4	Nut	40	134-9370	1	Screw-HH
8	134-0997	4	Washer	41	134-9282	1	Cable, Transmission
9	134-9293	1	Steering Column	42	134-9480	1	Shaft, Traction Pedal
10	134-9476	1	Plug, Steering-Clmn	43	134-9286	1	Nut
11	94-3307	1	Pad-Pedal, Traction	44	134-1012	1	Screw
12	94-3308	1	Pad-Pedal, Traction	45	134-0594	1	Absorber-Shock
13	134-9275	1	Pedal, Transmission	46	134-0757	1	Pin
14	134-9294	4	Bushing	47	134-1272	1	Key-Shaft
15	134-9276	2	Pin	48	134-1015	2	Screw
16	134-1303	4	Screw	49	134-1078	5	Nut
17	134-1194	4	Insert-Threaded	50	134-1260	2	Insert-Threaded
18	134-1115	1	Screw	51	134-1045	2	Washer
19	134-9477	1	Hub, Steering Valve	52	134-1024	1	Screw
20	134-2954	2	Bushing	53	134-9283	1	Register
21	134-0861	1	Spacer	54	134-8129	1	Cable-End, Nipple
22	134-9274	1	Retainer	55	134-9288	1	Cable, Diff Lock
23	134-1082	2	Nut	56	134-9289	2	Grip Strip
24	134-9295	1	Support, Steering Column	57	134-9284	1	Footrest, Rubber RH
25	134-1026	2	Screw	58	134-9281	1	Footrest, Rubber LH
26	134-9277	1	Support, Diff Lock Pedal	59	134-9479	4	Screw-HHF
27	134-9290	1	Pedal, Diff Lock	60	134-9287	1	Platform
28	134-9278	2	Bushing	61	134-1018	2	Screw
29	134-1355	1	Washer	62	134-1051	2	Washer
30	134-1054	1	Washer	63	134-1046	2	Washer
31	134-1011	1	Screw	64	134-9285	2	Pivot, Platform
32	134-9279	1	Stud	65	134-1038	1	Nut
33	134-9280	1	Ball				

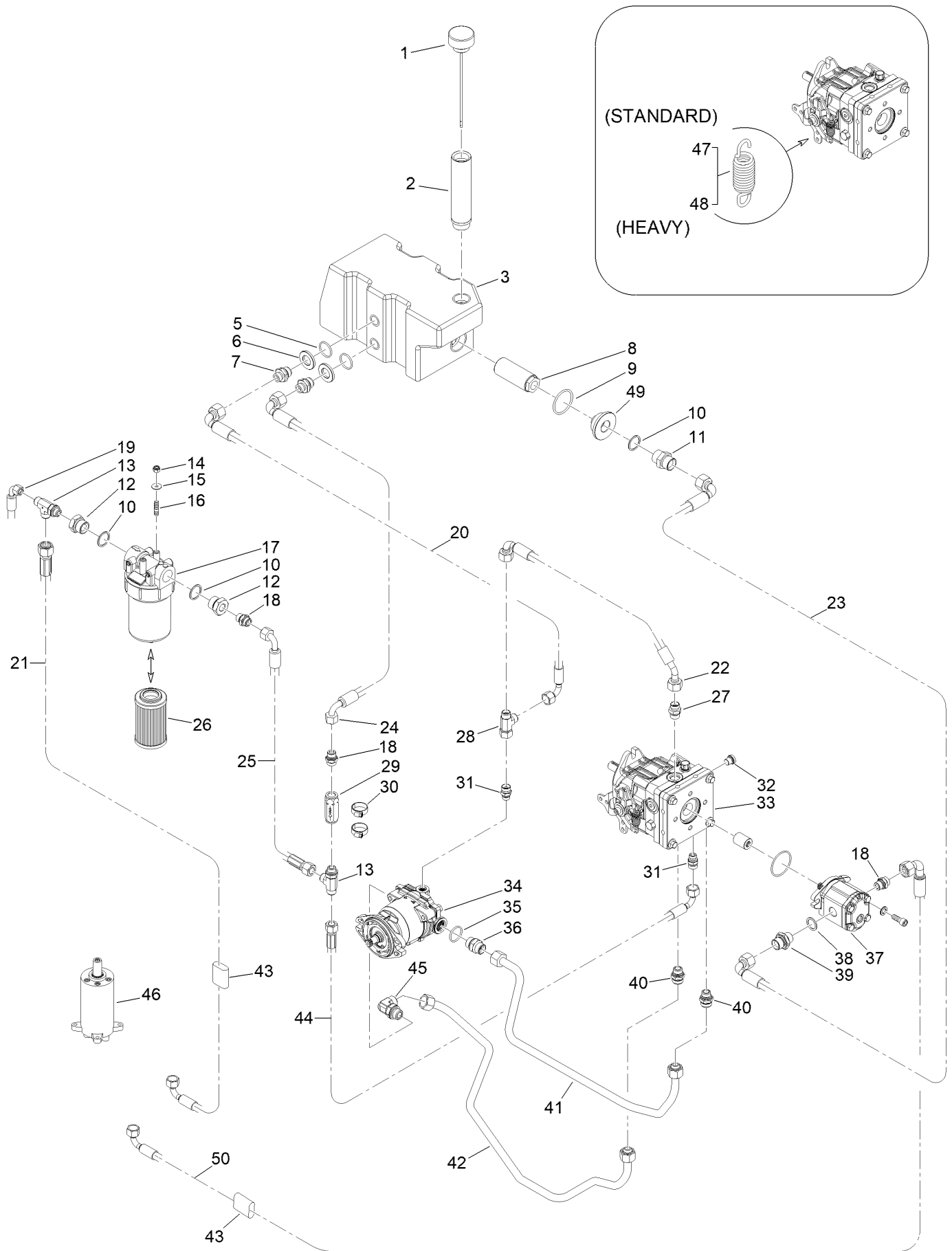
Body Assembly



Body Assembly (continued)

<i>Ref.</i>	<i>Part Number</i>	<i>Qty.</i>	<i>Description</i>	<i>Ref.</i>	<i>Part Number</i>	<i>Qty.</i>	<i>Description</i>
1	134-1148	1	Knob	6	134-1044	3	Washer
2	134-9297	1	Cover, RH Dashboard	7	134-1234	4	Washer
3	134-1194	5	Insert-Threaded	8	134-1042	4	Nut
4	134-1304	6	Screw	9	134-9298	1	Dashboard, RH
5	134-1071	3	Screw	10	134-9299	1	Fairing

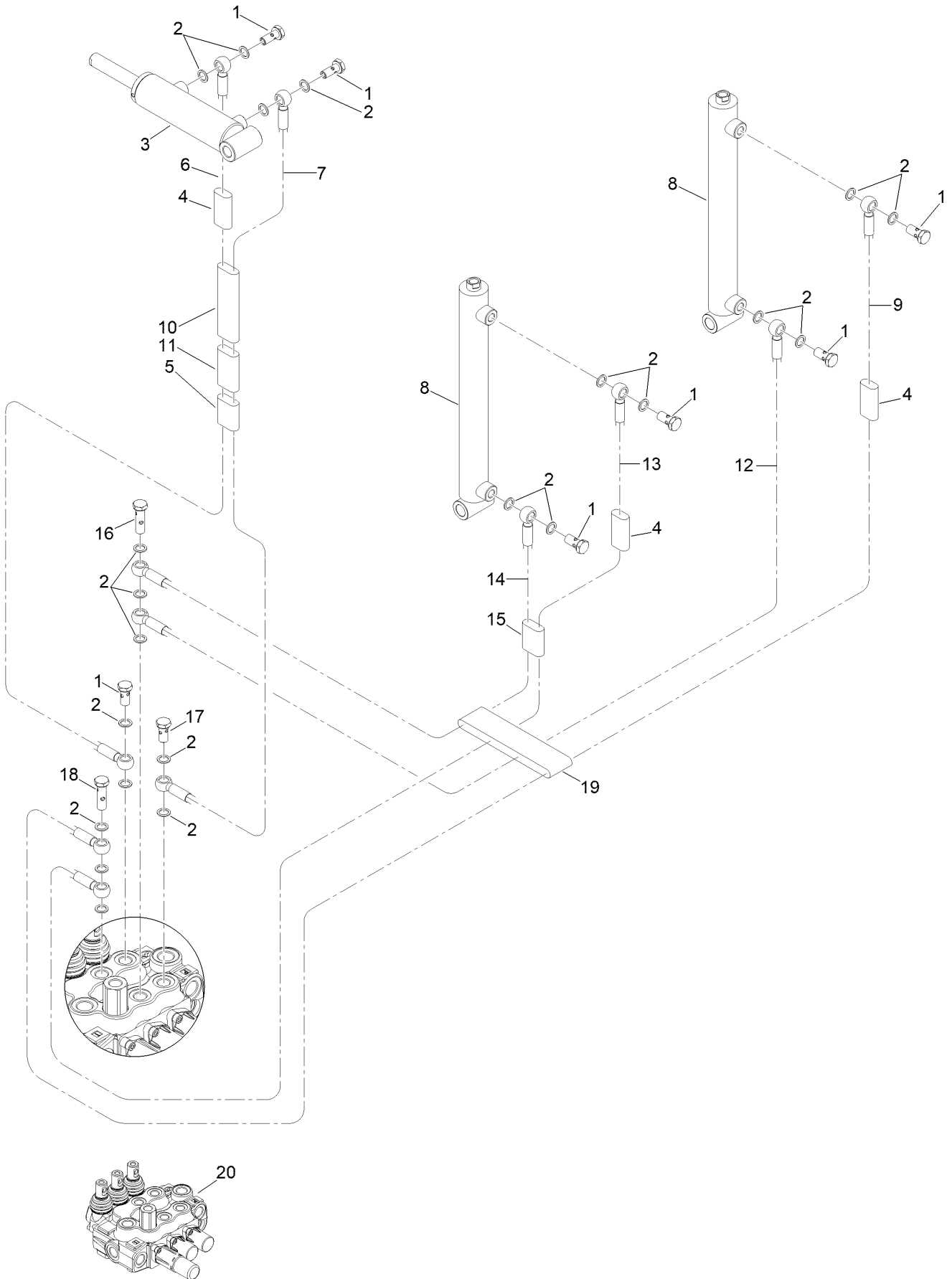
Hydraulic Assembly No. 1



Hydraulic Assembly No. 1 (continued)

<i>Ref.</i>	<i>Part Number</i>	<i>Qty.</i>	<i>Description</i>	<i>Ref.</i>	<i>Part Number</i>	<i>Qty.</i>	<i>Description</i>
1	134-1210	1	Cap-Oil	27	134-9307	1	Fitting,Nipple
2	134-0786	1	Filler-Tank, Oil	28	134-9300	1	Fitting-Tee
3	134-0635	1	Tank-Oil	29	134-9319	1	Check-Valve
5	134-0569	2	O-Ring	30	134-9320	2	Clamp
6	134-0887	2	Washer	31	134-1268	2	Fitting-Nipple
7	134-1267	2	Fitting	32	134-9324	1	Plug {9/16-18 Unf L10 CE6]
8	134-3123	1	Filter-Tank, Hydraulic	33	134-9306	1	Pump, Transmission
9	134-0617	1	O-Ring	34	134-9310	1	Motor, Transmission
10	134-1256	3	Washer	35	134-1064	1	O-Ring
11	134-9302	1	Fitting, Nipple	36	134-9301	1	Fitting, Nipple
12	134-1219	2	Fitting-Reducer	37	134-9323	1	Gear Pump
13	134-1218	2	Adaptor-90 DEG	38	134-1332	1	Washer
14	134-1042	2	Nut	39	134-1216	1	Fitting
15	134-1234	2	Washer	40	134-9303	2	Fitting, Nipple
16	134-9322	2	Stud	41	134-9318	1	Pipe, Forward Gear
17	134-9321	1	Filter, Transmission Oil	42	134-9305	1	Pipe, Reverse Gear
18	134-1266	3	Fitting-Nipple	43	134-0985	2	Protector-Hose
19	134-9338	1	Hose	44	134-9308	1	Hose
20	134-9312	1	Hose	45	134-9309	1	Fitting
21	134-9315	1	Hose	46	134-9344	1	Steering Valve
22	134-9313	1	Hose	47	134-9326	1	Spring, Rtn Standard 51833
23	134-9317	1	Hose	48	134-9325	1	Spring, Rtn Heavy 51605
24	134-9316	1	Hose	49	134-0820	1	Support-Filter, Oil
25	134-9311	1	Hose	50	134-9304	1	Hose
26	134-9314	1	Filter Element, Transmission Oil Filter				

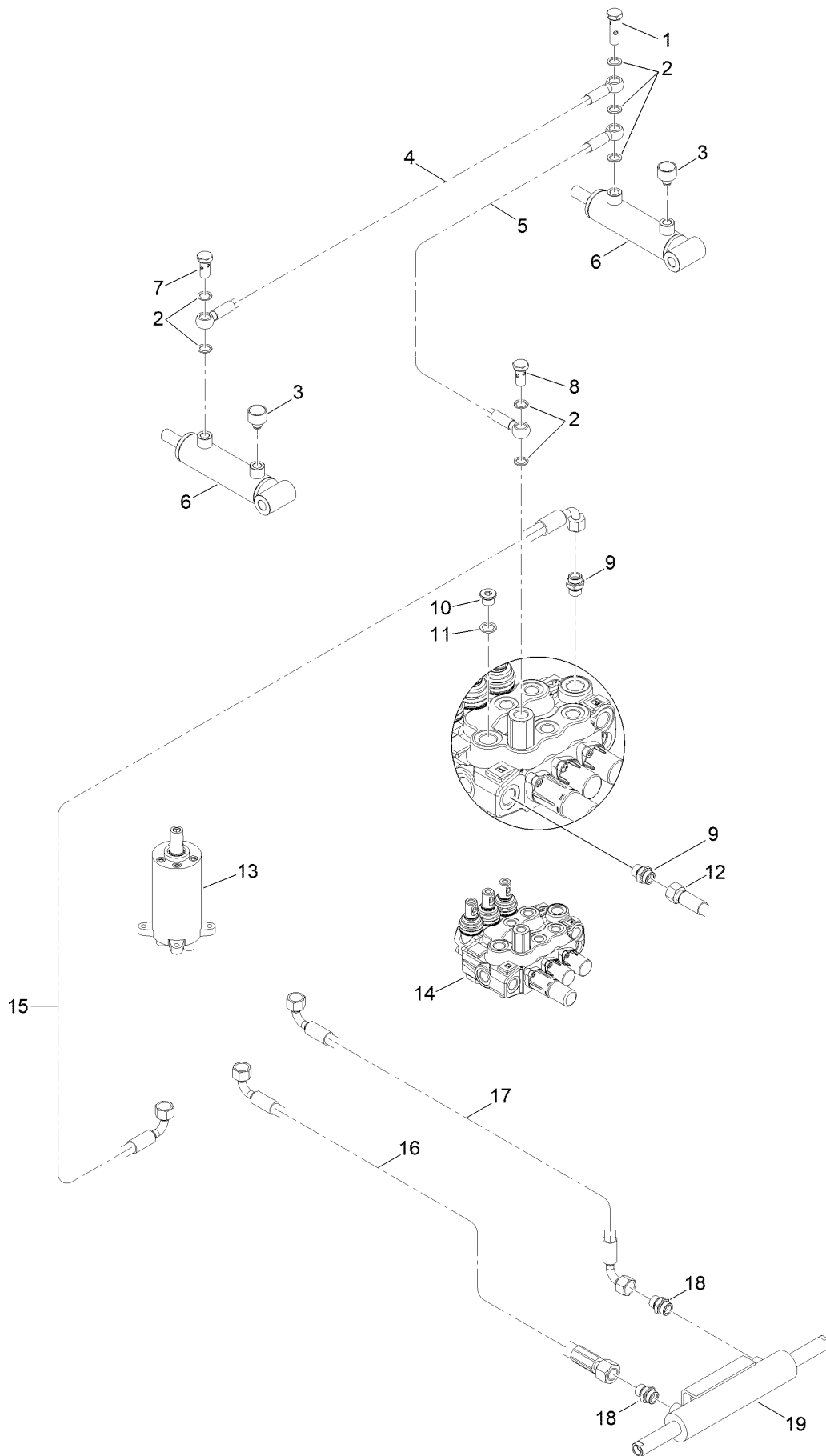
Hydraulic Assembly No. 2



Hydraulic Assembly No. 2 (continued)

<i>Ref.</i>	<i>Part Number</i>	<i>Qty.</i>	<i>Description</i>	<i>Ref.</i>	<i>Part Number</i>	<i>Qty.</i>	<i>Description</i>
1	134-1102	7	Screw	11	134-9328	1	Hose Guard
2	134-1255	21	Washer	12	134-9334	1	Hose
3	134-9392	1	Ram, Dual Acting	13	134-9332	1	Hose
4	134-0988	3	Protector-Hose	14	134-9333	1	Hose
5	134-0985	3	Protector-Hose	15	134-9330	1	Hose Guard
6	134-9336	1	Hose	16	134-3055	1	Screw
7	134-9335	1	Hose	17	134-3050	1	Screw
8	134-0811	2	Cylinder	18	134-1245	1	Screw
9	134-9331	1	Hose	19	134-9329	1	Hose Guard
10	134-9327	1	Hose Guard	20	134-3054	1	Valve-Lift

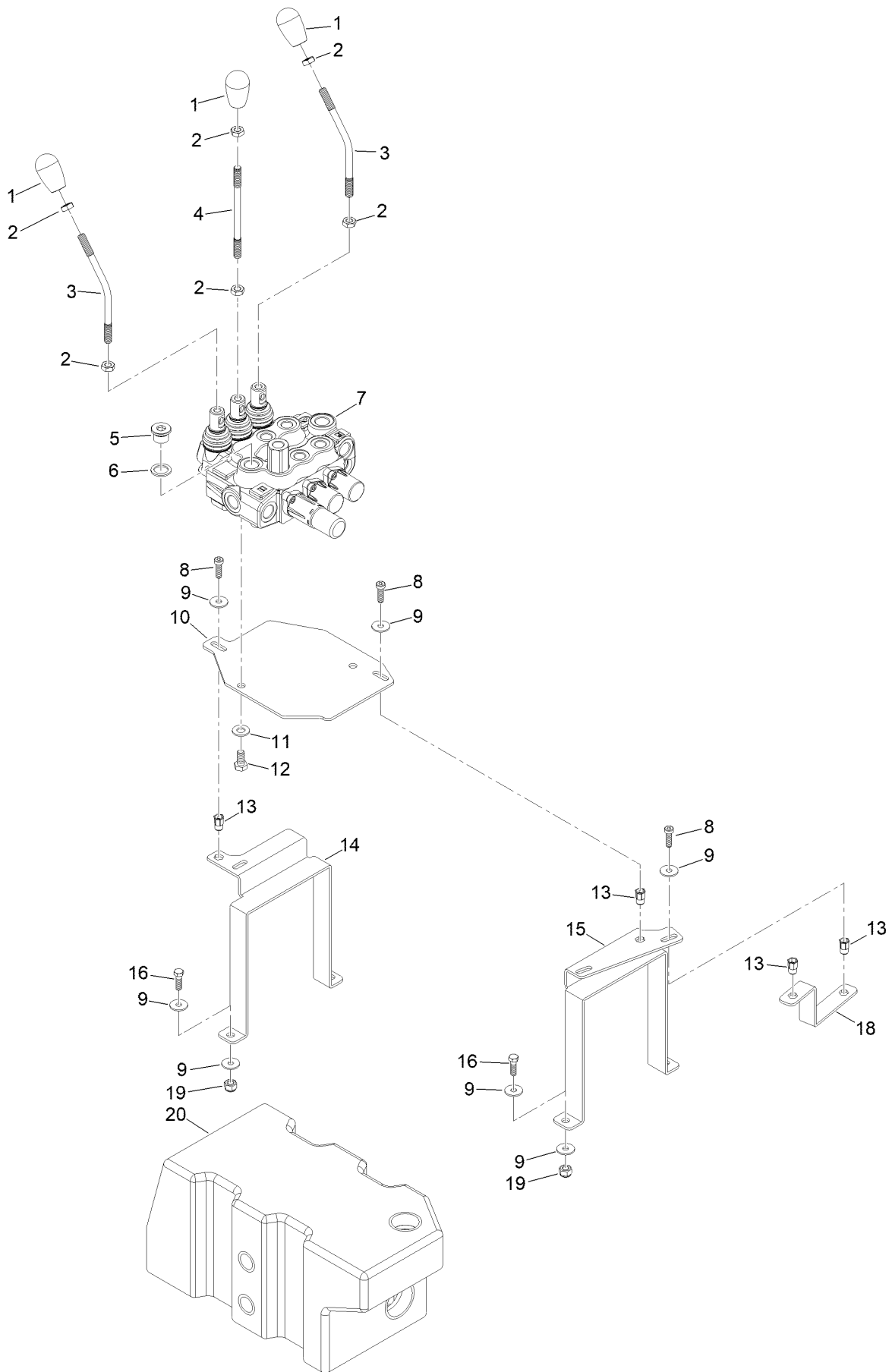
Hydraulic Assembly No. 3



Hydraulic Assembly No. 3 (continued)

<i>Ref.</i>	<i>Part Number</i>	<i>Qty.</i>	<i>Description</i>	<i>Ref.</i>	<i>Part Number</i>	<i>Qty.</i>	<i>Description</i>
1	134-1245	1	Screw	11	134-7633	1	Seal - 3/8In
2	134-1255	7	Washer	12	134-9338	1	Hose
3	134-1153	2	Cap-Breather	13	134-9344	1	Steering Valve
4	134-9339	1	Hose	14	134-3054	1	Valve-Lift
5	134-9340	1	Hose	15	134-9343	1	Hose
6	134-9337	2	Ram	16	134-9342	1	Hose
7	134-1102	1	Screw	17	134-9341	1	Hose
8	134-7804	1	Fitting-Orifice	18	134-1270	2	Fitting-Nipple
9	134-1266	2	Fitting-Nipple	19	134-9345	1	Ram
10	134-9348	1	Plug				

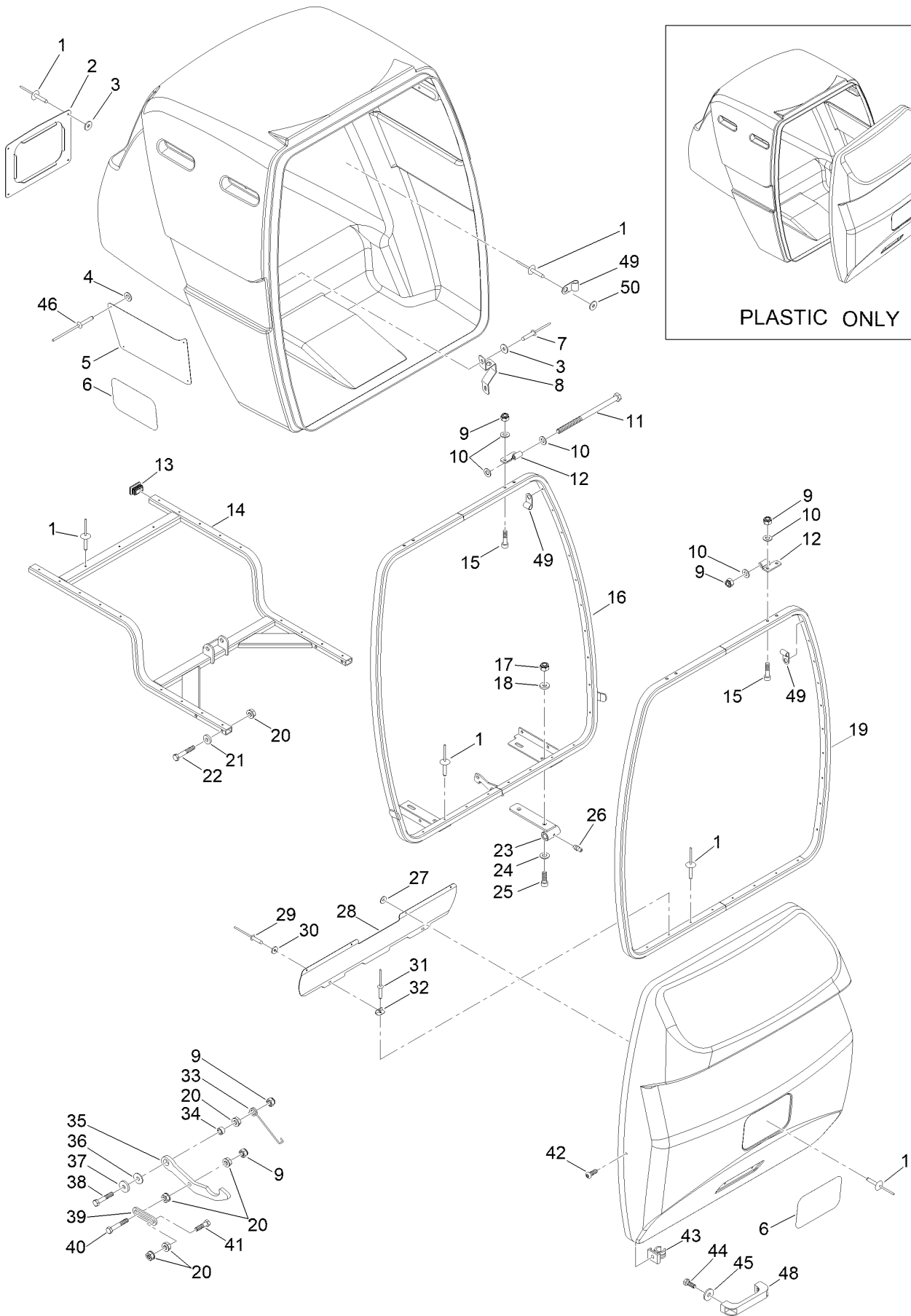
Hydraulic Assembly No. 4



Hydraulic Assembly No. 4 (continued)

<i>Ref.</i>	<i>Part Number</i>	<i>Qty.</i>	<i>Description</i>	<i>Ref.</i>	<i>Part Number</i>	<i>Qty.</i>	<i>Description</i>
1	134-1179	3	Knob	11	134-1045	2	Washer
2	134-1078	6	Nut	12	134-1010	2	Screw
3	134-9346	2	Lever	13	134-1257	4	Insert-Threaded
4	134-9347	1	Lever	14	134-0795	1	Clamp-Band
5	134-9348	1	Plug	15	134-0794	1	Clamp-Band
6	134-7633	1	Seal - 3/8In	16	134-1009	4	Screw
7	134-3054	1	Valve-Lift	18	134-9351	1	Support, Water Expansion Tank
8	134-1071	3	Screw	19	134-1042	4	Nut
9	134-1234	11	Washer	20	134-0635	1	Tank-Oil
10	134-9349	1	Plate, Lift Valve				

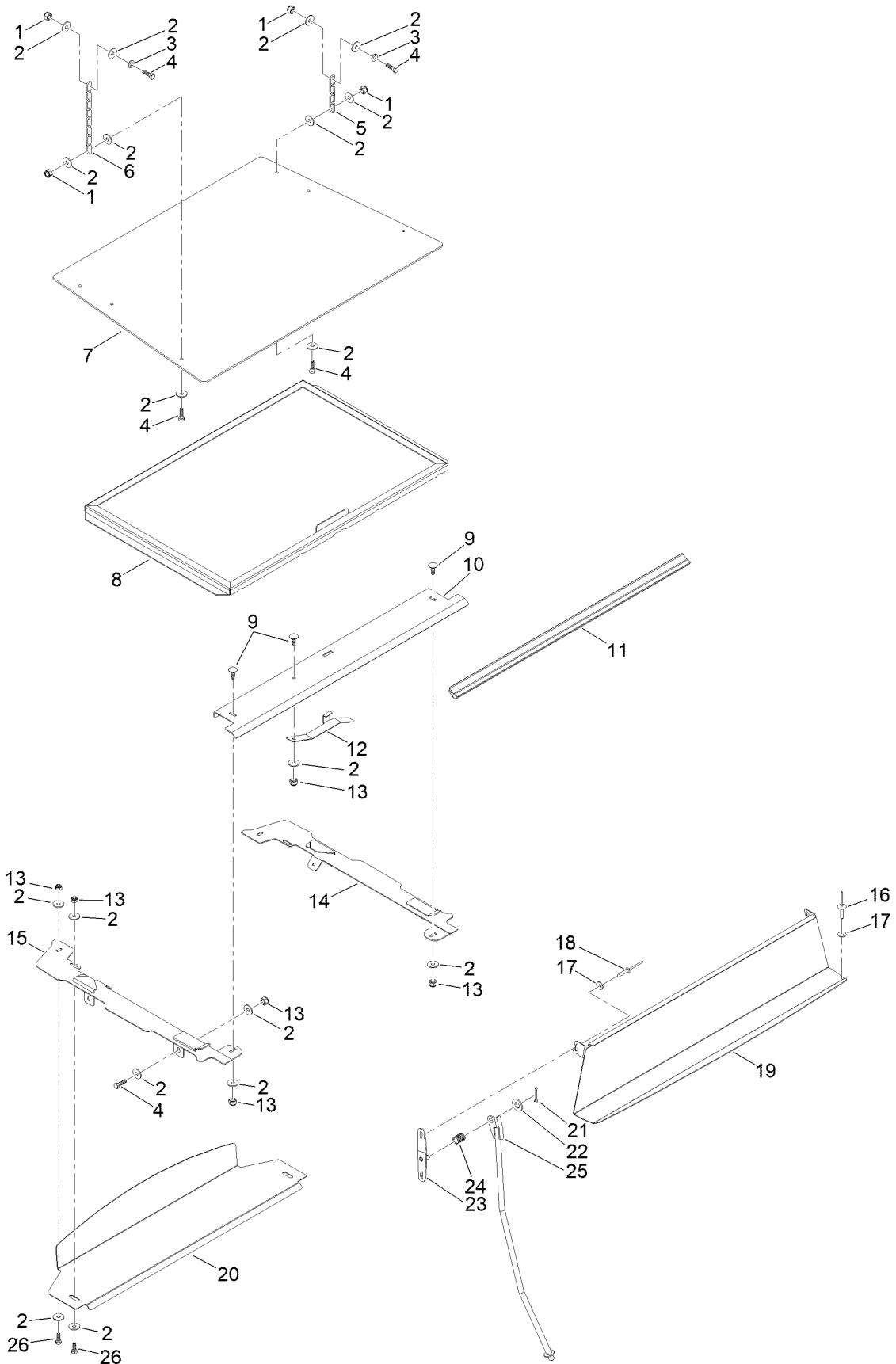
Hopper and Frame Assembly



Hopper and Frame Assembly (continued)

<i>Ref.</i>	<i>Part Number</i>	<i>Qty.</i>	<i>Description</i>	<i>Ref.</i>	<i>Part Number</i>	<i>Qty.</i>	<i>Description</i>
1	134-1273	97	Rivet	26	134-1065	2	Fitting-Grease
2	134-9359	1	Flange, Chute Coupling	27	134-1231	8	Washer
3	134-1231	6	Washer	28	134-9486	1	Slide, Hopper Door
4	134-1050	8	Washer	29	134-1204	2	Rivet
5	134-3124	2	Plate-Logo, Hopper	30	134-1053	2	Washer
6	134-0551	3	Decal-Toro Logo	31	134-1244	2	Rivet
7	134-1190	2	Rivet	32	134-0753	2	Bracket
8	134-0744	1	Bracket	33	134-0740	1	Spring
9	134-1092	7	Nut	34	134-0687	1	Spacer
10	134-1045	7	Washer	35	134-9353	1	Hook, Hopper Door
11	134-1117	1	Screw	36	134-3126	1	Washer
12	134-0758	4	Hinge	37	134-8037	1	Washer-Plain
13	134-1181	2	Cap-Plastic, Black	38	134-1029	1	Screw
14	134-9357	1	Chassis, Hopper	39	134-9354	1	Screw-HH
15	134-1122	4	Screw	40	134-9355	1	Ring, Hopper Hook
16	134-9360	1	Frame, Hopper	41	134-1012	1	Screw
17	134-1081	2	Nut	42	134-1303	1	Screw
18	134-9408	2	Washer	43	134-1160	1	Collar
19	134-9356	1	Frame, Hopper Door	44	134-1008	2	Screw
20	134-1082	9	Nut	45	134-1234	2	Washer
21	134-0997	4	Washer	46	134-1183	8	Rivet
22	134-8036	4	Screw-HH	47	134-9352	1	Hopper, Cut And Drilled
23	134-9381	2	Frame, Hopper Body	48	134-1140	1	Handle
24	134-1046	2	Washer	49	134-1348	4	Grommet
25	134-8233	2	Screw-HSH	50	134-1231	4	Washer

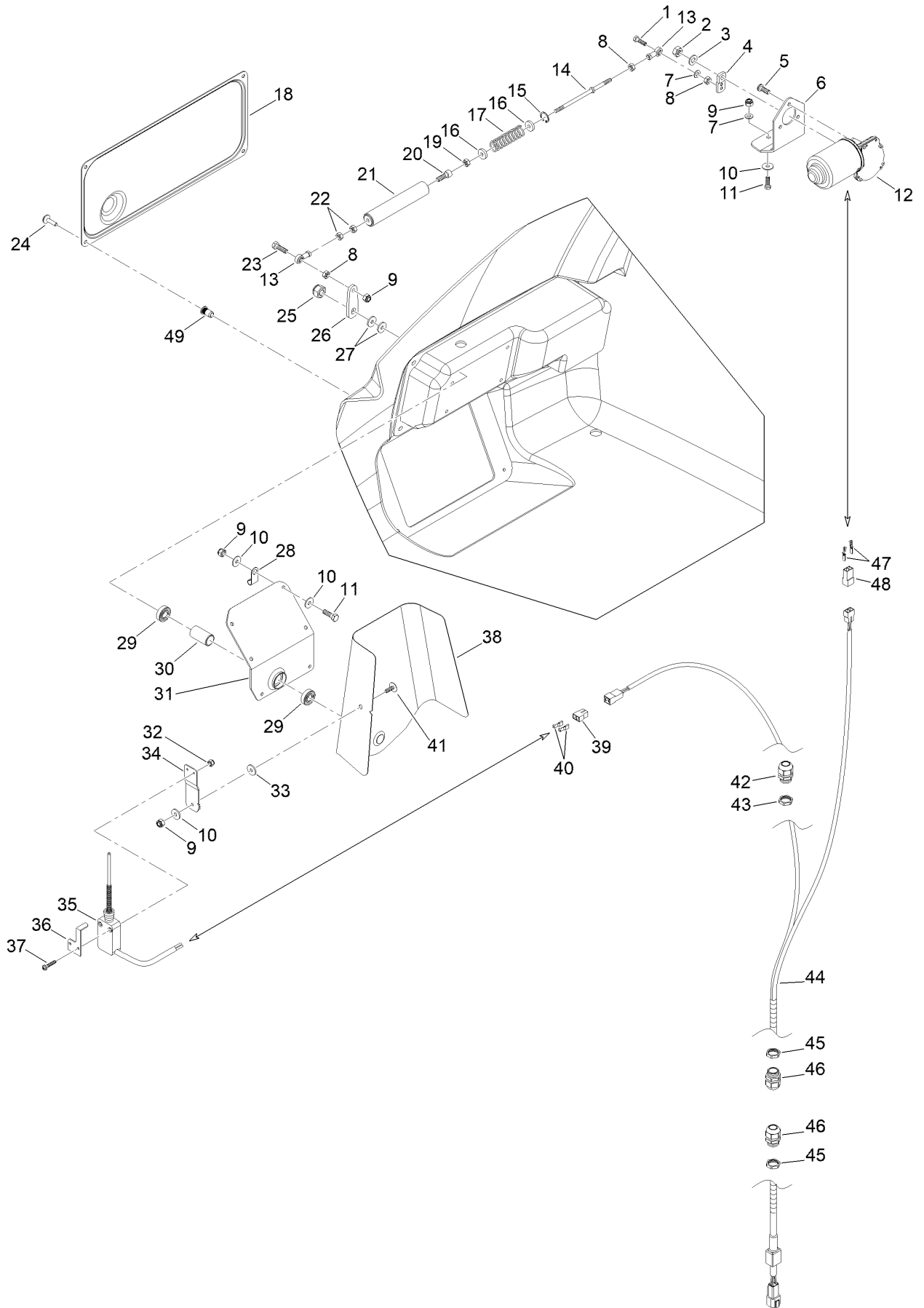
Hopper Parts Assembly



Hopper Parts Assembly (continued)

<i>Ref.</i>	<i>Part Number</i>	<i>Qty.</i>	<i>Description</i>	<i>Ref.</i>	<i>Part Number</i>	<i>Qty.</i>	<i>Description</i>
1	134-1042	4	Nut	14	134-9367	1	Slide, Removable Grid RH
2	134-1234	21	Washer	15	134-9365	1	Slide, Grid LH
3	134-1044	2	Washer	16	134-1273	3	Rivet
4	134-1009	6	Screw	17	134-1231	5	Washer
5	134-0869	2	Chain	18	134-1190	2	Rivet
6	134-0870	2	Chain	19	134-9368	1	Grid, Door
7	134-0871	1	Panel-Plastic, Grass Catcher	20	134-9366	1	Plate, Hopper Grid
8	134-9364	1	Grid, Removable	21	134-1129	1	Pin-Spring
9	134-1296	3	Screw	22	134-1046	1	Washer
10	134-9362	1	Support, Removable Grid	23	134-0741	1	Support
11	134-9363	1	Gasket	24	134-0727	1	Spring
12	134-9361	1	Handle, Hopper Grid	25	134-0747	1	Rod
13	134-1041	7	Nut	26	134-1008	2	Screw

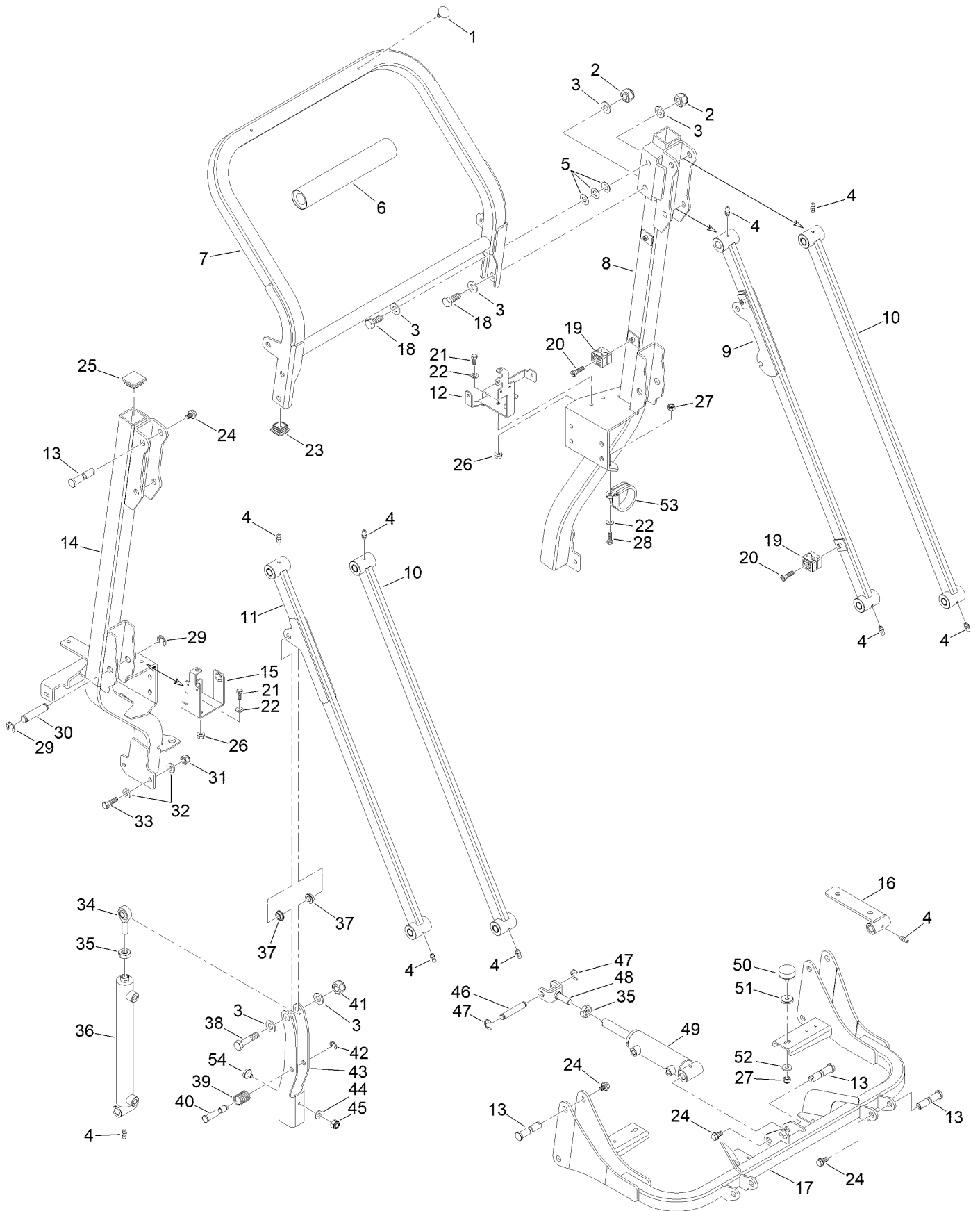
Hopper Electrical Assembly



Hopper Electrical Assembly (continued)

<i>Ref.</i>	<i>Part Number</i>	<i>Qty.</i>	<i>Description</i>	<i>Ref.</i>	<i>Part Number</i>	<i>Qty.</i>	<i>Description</i>
1	134-9371	1	Screw	25	134-1081	1	Nut
2	134-1078	1	Nut	26	134-0768	1	Lever-Hopper
3	134-1054	1	Washer	27	134-0998	2	Spacer
4	134-1003	1	Plate, Hopper-Spreader	28	134-1348	1	Grommet
5	134-1303	3	Screw	29	134-1104	2	Bearing
6	134-0766	1	Support-Engine	30	134-0841	1	Spacer
7	134-1044	4	Washer	31	134-0767	1	Support-Spreader
8	134-1039	3	Nut	32	134-1040	2	Nut
9	134-1041	11	Nut	33	134-1237	1	Washer-Belleville
10	134-1234	16	Washer	34	134-0916	1	Support-Sensor, Catcher
11	134-1009	9	Screw	35	134-9372	1	Microswitch, Hopper
12	134-0595	1	Baffle-Motor	36	134-0700	1	Bracket
13	134-0592	2	Head-Joint	37	134-1113	2	Screw
14	134-9369	1	Shock Absorber, Grass Spreader	38	134-3103	1	Manifold
15	134-9613	1	Ring-Retaining, Int	39	134-1288	1	Connector-Electric
16	134-0691	2	Washer	40	134-1221	2	Cap-Cable End, Female
17	134-0926	1	Spring	41	134-1304	1	Screw
18	134-0914	1	Cover	42	134-1278	1	Fitting-Union
19	134-1042	1	Nut	43	134-1292	1	Nut-Plastic
20	134-1025	1	Screw	44	134-0601	1	Wiring-Catcher, Grass
21	134-9614	1	Body Shock Kit	45	134-9374	2	Nut
22	134-1080	1	Nut	46	134-9373	2	Fitting, Cable
23	134-9370	1	Screw-HH	47	134-1225	2	Connector
24	134-8236	4	Screw-Flange	48	134-1222	1	Connector-Electric
				49	134-8237	4	Nutsert-Blind

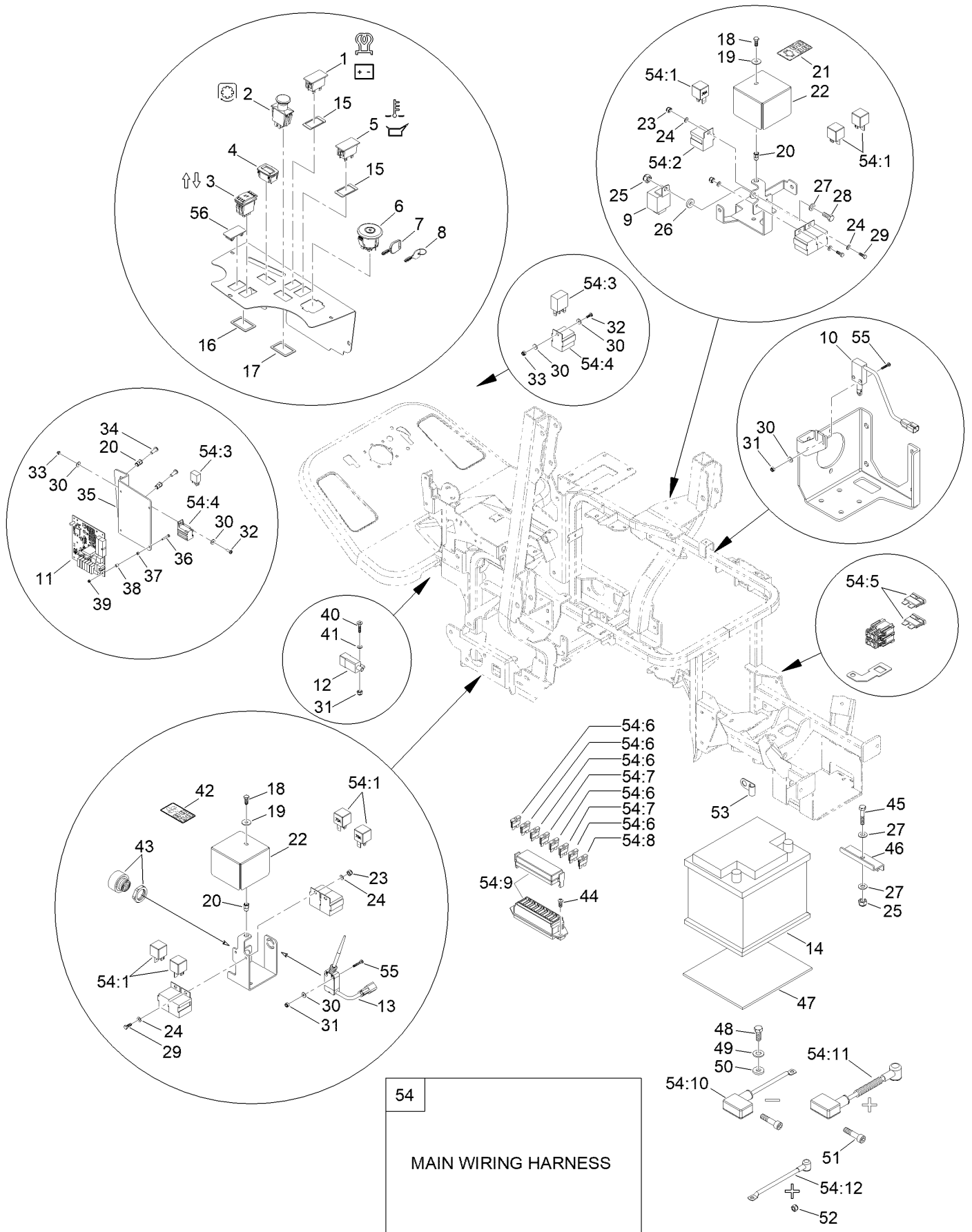
Hopper Lift Frame Assembly



Hopper Lift Frame Assembly (continued)

<i>Ref.</i>	<i>Part Number</i>	<i>Qty.</i>	<i>Description</i>	<i>Ref.</i>	<i>Part Number</i>	<i>Qty.</i>	<i>Description</i>
1	134-1162	2	Rivet-Plastic	28	134-1015	4	Screw
2	134-1090	4	Nut	29	134-2964	2	Ring-Snap
3	134-3012	12	Washer	30	134-0873	1	Pin
4	134-1065	11	Fitting-Grease	31	134-1079	2	Nut
5	134-9385	6	Shim	32	134-9408	4	Washer
6	134-9384	1	Neck Protection	33	134-1019	2	Screw
7	134-9391	1	Roll-Bar	34	134-1328	1	Joint-Ball
8	134-9388	1	Pillar, Lifter RH	35	134-1036	2	Nut
9	134-9382	1	Arm-Hopper	36	134-0811	2	Cylinder
10	134-9376	2	Arm Assy, Upper	37	134-0761	2	Bushing
11	134-9383	1	Arm-Hopper	38	134-1072	2	Screw
12	134-9394	1	Bracket, Engine Relays	39	134-0727	2	Spring
13	134-9378	9	Pivot, Lifter	40	134-0776	2	Pin
14	134-9389	1	Pillar, Lifter LH	41	134-1091	2	Nut
15	134-9395	1	Bracket, Fan Relays	42	134-2966	2	Ring Snap
16	134-9381	2	Frame, Hopper Body	43	134-0909	2	Rod-Safety
17	134-9380	1	Frame, Hopper Assy	44	134-3027	2	Washer-Wave
18	134-9386	4	Screw-HH Cap	45	134-1042	2	Nut
19	134-1330	4	Collar	46	134-9377	1	Pivot, Hopper Ram
20	134-1071	2	Screw	47	134-1099	2	Ring-Snap
21	134-1011	4	Screw	48	134-9379	1	Fork, Tilter Ram
22	134-1045	5	Washer	49	134-9392	1	Ram, Dual Acting
23	134-9387	2	Plug	50	134-1338	2	Pad-Rubber
24	134-1310	9	Screw	51	134-1355	2	Washer
25	134-9390	1	Plug	52	134-3126	2	Washer
26	134-1082	4	Nut	53	134-9393	1	Clamp
27	134-1092	3	Nut	54	134-1326	1	Magnet

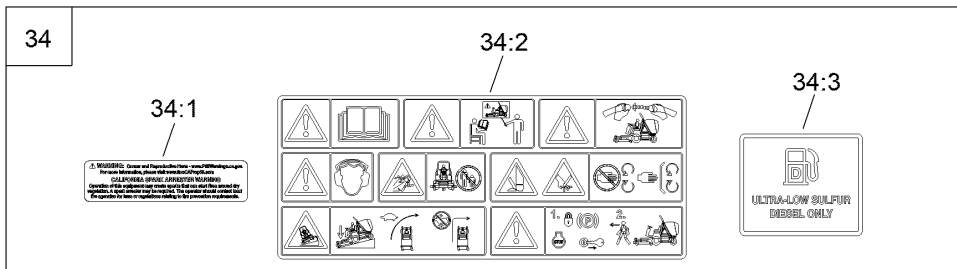
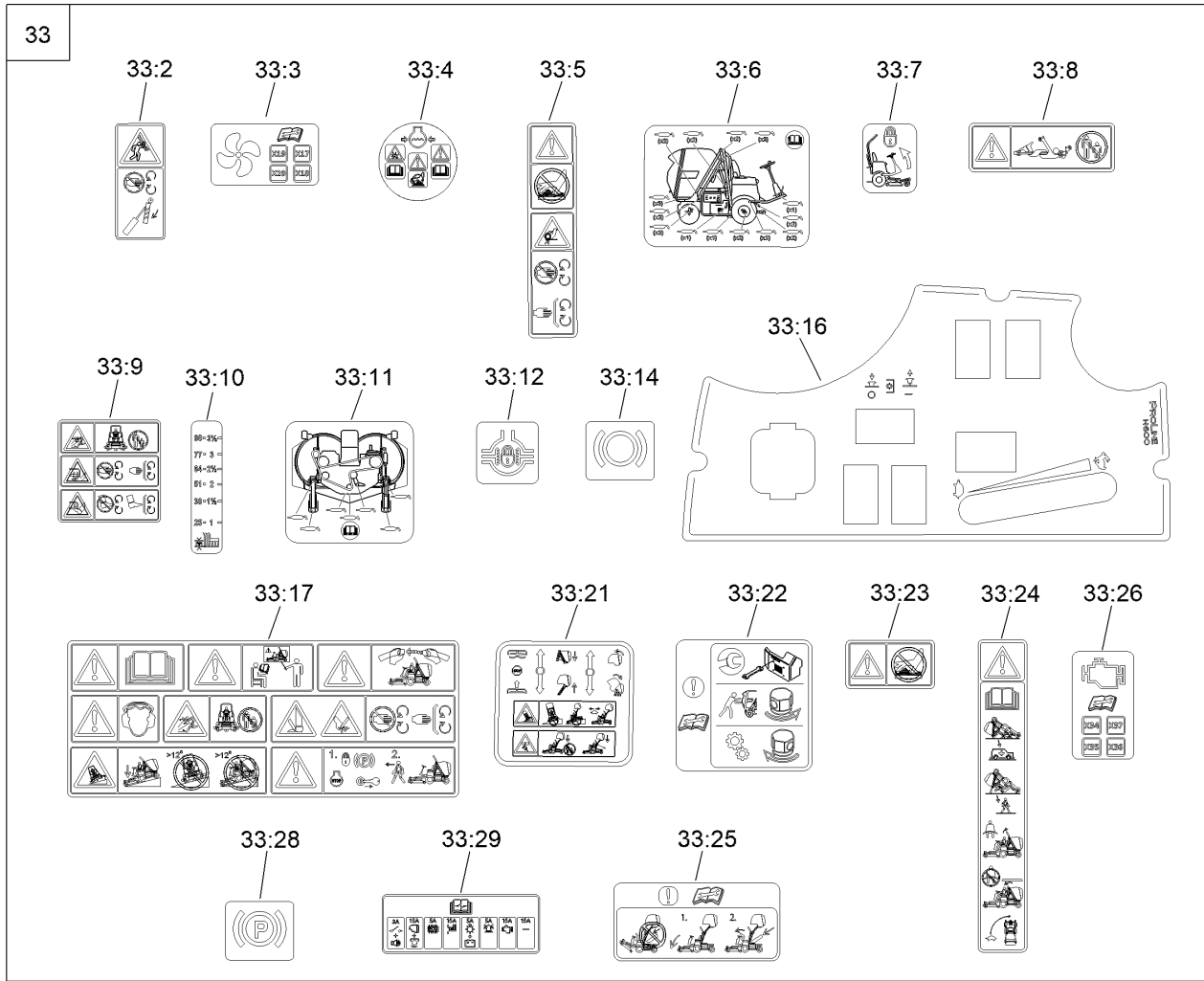
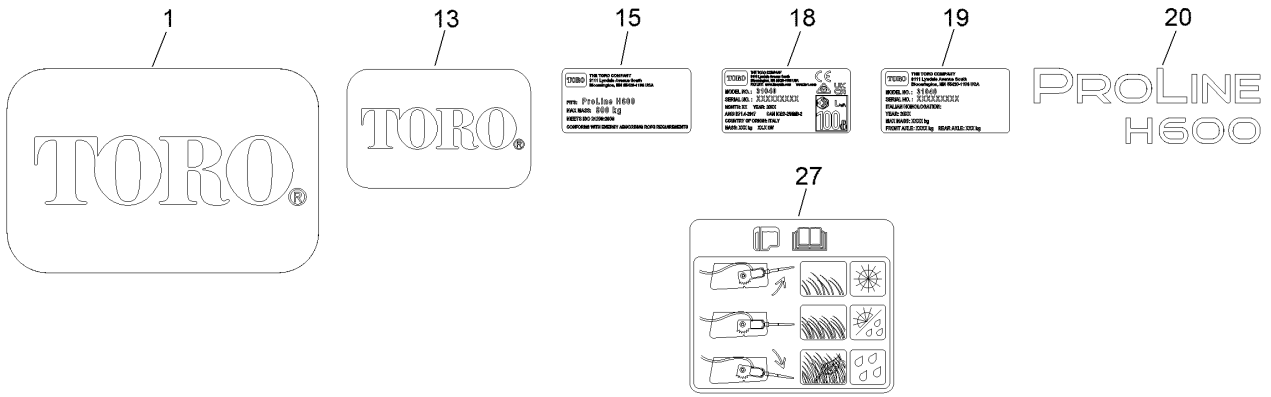
Electric Equipment Assembly



Electric Equipment Assembly (continued)

<i>Ref.</i>	<i>Part Number</i>	<i>Qty.</i>	<i>Description</i>	<i>Ref.</i>	<i>Part Number</i>	<i>Qty.</i>	<i>Description</i>
1	122-0334	1	Light-Indicator, Glow/Battery	36	134-1313	4	Screw
2	93-9999	1	Switch-PTO	37	134-1167	4	Nut
3	134-9411	1	Switch, HOC	38	134-1031	4	Bushing-Nylon
4	134-9412	1	Hour Meter	39	134-1085	4	Nut
5	134-9410	1	Lamp, Oil/Water	40	134-1307	2	Screw
6	134-9413	1	Switch, Key	41	134-1052	2	Washer
7	134-1286	1	Key-Ignition, Metal	42	134-8800	1	Decal-Relay Fan
8	134-1285	1	Key-Ignition, Plastic Cover	43	134-9401	1	Buzzer
9	134-9403	1	Timer, Kubota	44	134-2987	2	Screw
10	134-9409	1	Microswitch, Neutral	45	134-1014	1	Screw
11	134-9417	1	Electric Board, Machine	46	134-2998	1	Bracket-Clamp, Battery
12	134-9396	1	Microswitch, Parking Brake	47	134-0720	1	Bushing-Plastic
13	134-9404	1	Microswitch, Lifted Hopper	48	134-2956	1	Screw
14	134-9397	1	Battery	49	134-1046	1	Washer
15	134-1284	2	Gasket	50	134-9408	1	Washer
16	134-9415	1	Frame, Hour Meter	51	134-1068	2	Screw
17	134-0981	1	Retainer-Switch	52	134-1042	1	Nut
18	134-1008	2	Screw	53	134-1348	1	Grommet
19	134-1234	2	Washer	54	134-9493	1	Main Wiring Harness, PIh600
20	134-1257	4	Insert-Threaded				
21	134-8801	1	Decal-Engine Relay	54:1	134-2996	7	Relay
22	134-9400	2	Cover, Relays	54:2	134-8250	3	Base-Relay 70A
23	134-1094	4	Nut	54:3	134-8245	2	Relay
24	134-1049	8	Washer	54:4	134-8246	2	Base-Relay, Minature
25	134-1092	2	Nut	54:5	111-2898	2	Fuse-40A
26	134-0997	1	Washer	54:6	134-2985	5	Fuse 15A
27	134-1045	3	Washer	54:7	134-2983	2	Fuse 5A
28	134-1011	1	Screw	54:8	134-2986	1	Fuse-Blade, 3 Amp
29	134-9399	4	Screw-HH Cap	54:9	134-2988	1	Box-Fuse
30	134-1053	8	Washer	54:10	134-9405	1	Cable, Battery Negative
31	134-1040	6	Nut	54:11	134-9406	1	Cable, Battery Positive
32	134-8247	2	Screw-Pan	54:12	134-9407	1	Cable, Alternator
33	134-1093	2	Nut	55	134-1113	4	Screw
34	134-1311	2	Screw	56	134-9972	1	Plug, Switch
35	134-9416	1	Support, Electric Board				

Decals Assembly



Decals Assembly (continued)

<i>Ref.</i>	<i>Part Number</i>	<i>Qty.</i>	<i>Description</i>	<i>Ref.</i>	<i>Part Number</i>	<i>Qty.</i>	<i>Description</i>
1	134-0551	3	Decal-Toro Logo	33:12	134-8817	1	Decal-Differential Lock
13	126-5060	1	Decal-Logo, Toro	33:14	134-0547	1	Decal-Brake
15	134-8375	1	Decal-ROPS Compliance	33:16	134-8769	1	Decal-Control Panel
18	134-8378	1	Decal-Model/Serial	33:17	134-8866	1	Decal-Warning
19	134-8377	1	Decal-Homologation	33:21	134-8781	1	Decal-Controls Safety
20	134-8376	2	Decal-Proline H600	33:22	134-8806	1	Decal-Hydrostatic Pump Bypass
27	162-0010	1	Decal-Hopper Sensor	33:23	134-8818	1	Decal-Hot Surface
33	134-8895	1	Decal-Set, Plh600	33:24	134-0542	1	Decal-ROPS Warning
33:2	134-8770	2	Decal-Warning Arm	33:25	134-1359	1	Decal-Attention, Deck Service
33:3	134-8800	1	Decal-Relay Fan	33:26	134-8801	1	Decal-Engine Relay
33:4	117-3276	1	Decal-Danger	33:28	134-0548	1	Decal-Parking Brake
33:5	134-8768	1	Decal-Warning Engine	33:29	134-8802	1	Decal-Fuse
33:6	134-8775	1	Decal-Service	34	134-4172	1	Ansi Decal Kit
33:7	134-8782	1	Decal-Footplate Tilt	34:1	133-8062	1	Decal-Spark Arrestor
33:8	134-8816	1	Decal-Cardan Joint	34:2	134-1986	1	Decal-Warning
33:9	134-8772	2	Decal-Warning Deck	34:3	125-6135	1	Decal-Ultra-Low Diesel Only
33:10	134-8771	1	Decal-HOC				
33:11	134-8780	1	Decal-Service				

Attachments and Accessories

For 31040 ProLine H600 Rotary Mower

Product Name	Model/Part
LED Road Light Kit	31046
LED Flashing Beacon Kit	31047
Mulching Kit	31048

Notes:



Count on it.