



Count on it.

Parts Catalog

**Greensmaster® 3150 2-Wheel
Drive Traction Unit**

Model No. 04358—Serial No. 416863390 and Up



Ordering Replacement Parts

To order replacement parts, please supply the part number, the quantity, and the description of each part desired.

Understanding Reference Numbers

Each identified part in an illustration has a reference number. The reference number for a part also appears in the parts list, along with other information about the part.

This catalog uses two special reference number formats, one to indicate parts in a service assembly and another to indicate the quantity of a given part in an illustration.

Service Assembly Reference Numbers

Parts in service assemblies have reference numbers in the form a:b. The a represents the reference number of the entire service assembly and the b represents a sequential number unique to each part within the service assembly.

For example, a wheel assembly might be identified by reference number 6, the tire by 6:1, the valve by 6:2, and the wheel by 6:3. When you order the assembly identified by reference number 6, you receive all parts identified by reference numbers 6:1, 6:2, and 6:3. However, you may also order any part individually. Reference numbers of this type appear in illustration and in parts lists.

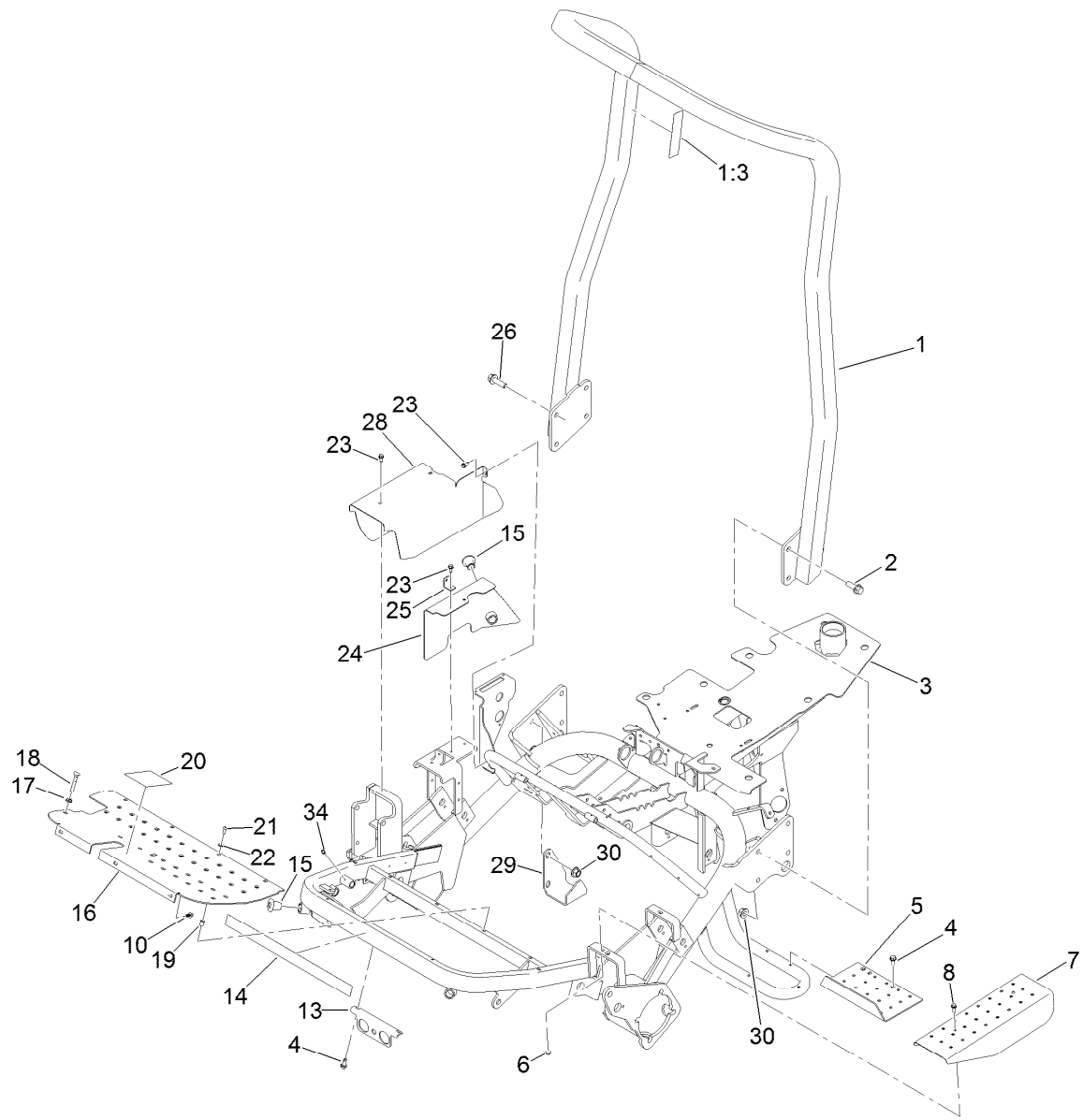
Reference Numbers Indicating Quantity

In an illustration, if a reference number indicates more than one part, the reference number has the form nX y. The n represents the quantity of the part, the X is the multiplication symbol, and the y represents the reference number.

For example, in an illustration, the reference number 2X 37 means that two of the parts identified by reference number 37 are indicated.

Contents

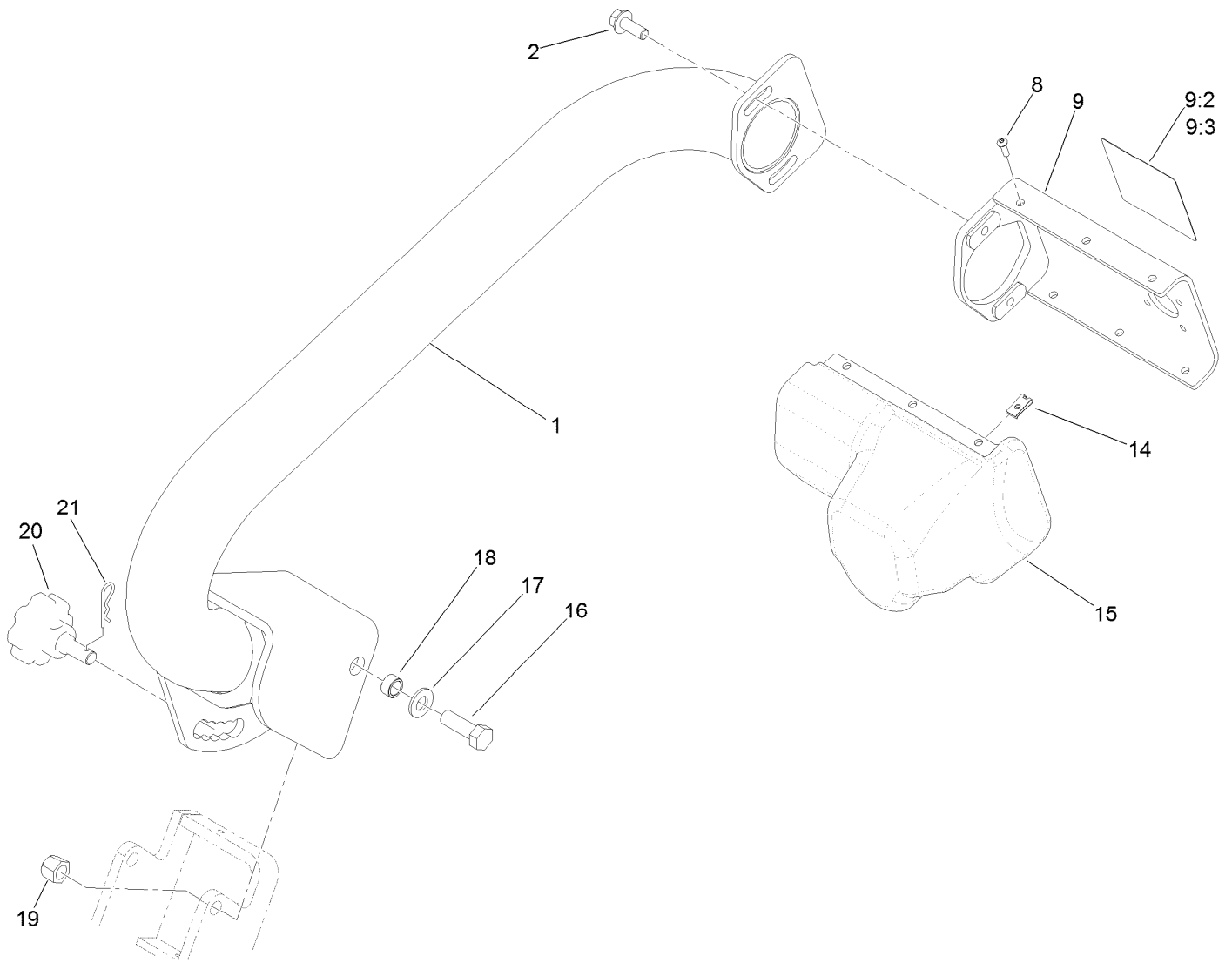
ROPS and Frame Assembly	4
Steering Arm Assembly	5
Traction Pedal Assembly	6
Joystick Assembly	7
Joystick Bracket Assembly No. 120-5280	8
Speed Selector Lever and Console Assembly	9
Control Panel Assembly	10
Engine Installation Assembly	11
Fuel Tank Assembly	13
Wire Harness Assembly	14
Wire Harness Assembly No. 122-1453	15
Battery Assembly	16
Ignition and Reed Switch Assembly	17
Engine Wire Harness Assembly	18
Ground Drive Assembly	19
Hydraulic Motor Assembly (CW) No. 110-4016	20
Hydraulic Motor Assembly (CCW) No. 110-4015	21
Hydrostat and Gear Pump Drive Assembly	22
Hydraulic Gear Pump Assembly No. 114-9956	23
Hydraulic Pump Assembly No. 139-6474	24
Neutral System Assembly	26
Front Hydraulic Reel Drive and Hose Assembly	27
Hydraulic Reel Motor Assembly No. 120-2072	28
Hydraulic Steering Hose and Center Lift Cylinder Hose Assembly	29
Rear Hydraulic Reel Drive and Hose Assembly	30
Front Lift Cylinders Hose and Filter Assembly	31
Steering Wheel and Valve Assembly	32
Steering Valve Assembly No. 114-4672	33
Right Hand and Left Hand Lift Cylinder Assembly	34
Hydraulic Cylinder Service Kit Assembly No. 145-4593	35
Steering Cylinder and Center Lift Cylinder Assembly	36
Hydraulic Cylinder Assembly No. 145-4569	37
Hydraulic Manifold Assembly	38
Hydraulic Manifold Assembly No. 147-3078	39
Hydraulic Reservoir and Leak Detector Assembly	41
Center Pull Frame Assembly	43
Left Pull Frame Assembly	45
Right Pull Frame Assembly	46
Front Wheel and Brake Assembly	47
Brake Assembly No. 104-7705	48
Rear Wheel Assembly	49
Seat Assembly	50
Attachments and Accessories	51



ROPS and Frame Assembly

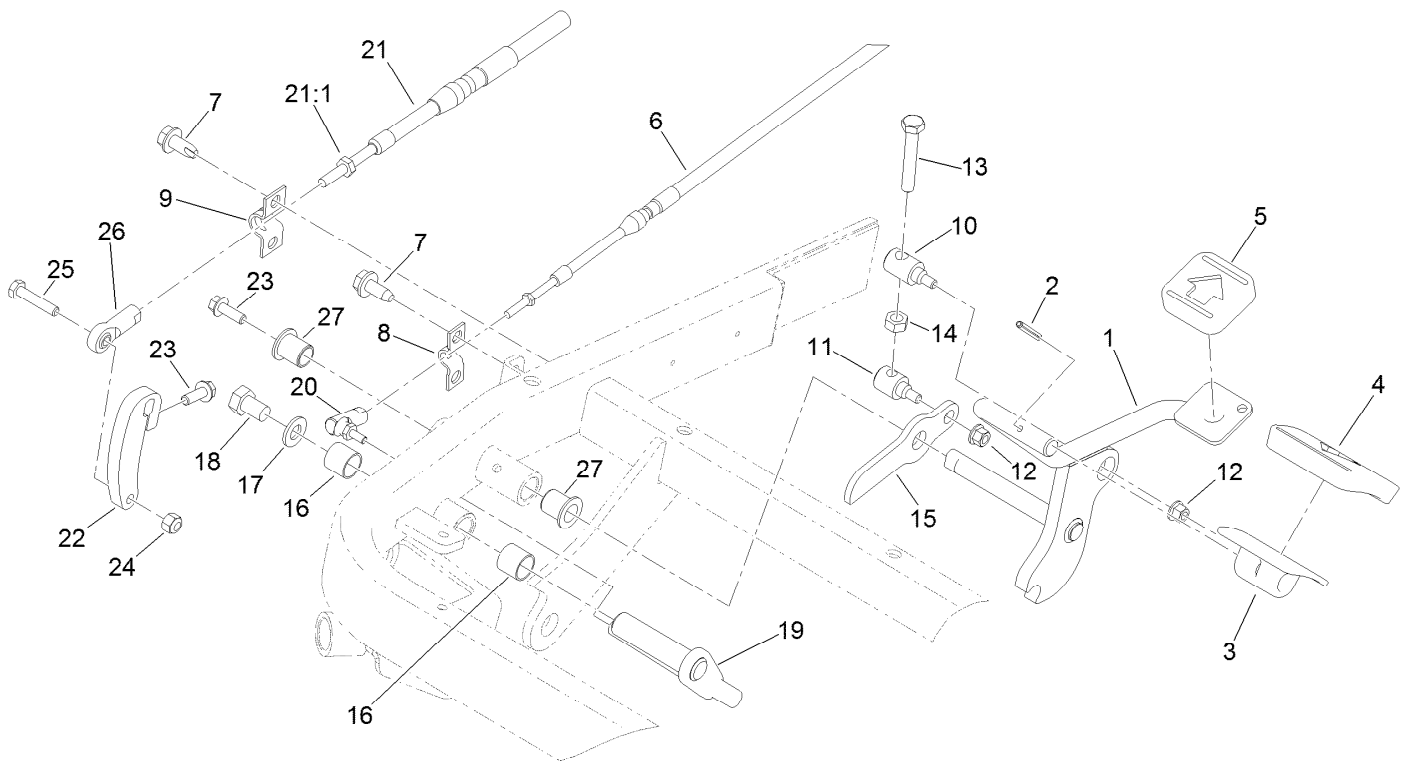
<i>Ref.</i>	<i>Part Number</i>	<i>Qty.</i>	<i>Description</i>
1	133-2308	1	ROPS ASM
1:3	115-8226	1	Decal-ROPS
2	130-6482	6	Screw-HHF
3	127-6143-01	1	Frame
4	32104-32	5	Screw-HWH
5	130-0103-01	1	Step
6	32128-33	2	Nut-HF
7	83-0200-01	1	Plate-Cover, LH
8	115-5103	2	Screw-HHF
10	99-6810	3	Screw-HHF
13	107-2552-01	1	Bracket-Bulkhead
14	115-5216	1	Decal
15	83-1700	3	Bushing-Flange
16	127-2225-01	1	Plate-Foatrest

<i>Ref.</i>	<i>Part Number</i>	<i>Qty.</i>	<i>Description</i>
17	32128-20	1	Nut-HF
18	17-9426	1	Screw-Handle
19	32148-6	7	Nut-Clinch
20	93-8062	1	Decal-Brake, Parking
21	3274-31	4	Screw-HSBH
22	3256-1	4	Washer-Flat
23	32144-10	5	Screw-HWH
24	105-8282-01	1	Shield-Side
25	120-3172	1	Bracket
26	130-6481	2	Screw-HHF
28	138-8507-01	1	Cover-Right
29	105-8263-01	1	Bracket-ROPS
30	99-5107	8	Nut-Lock
34	302-5	1	Fitting-Grease



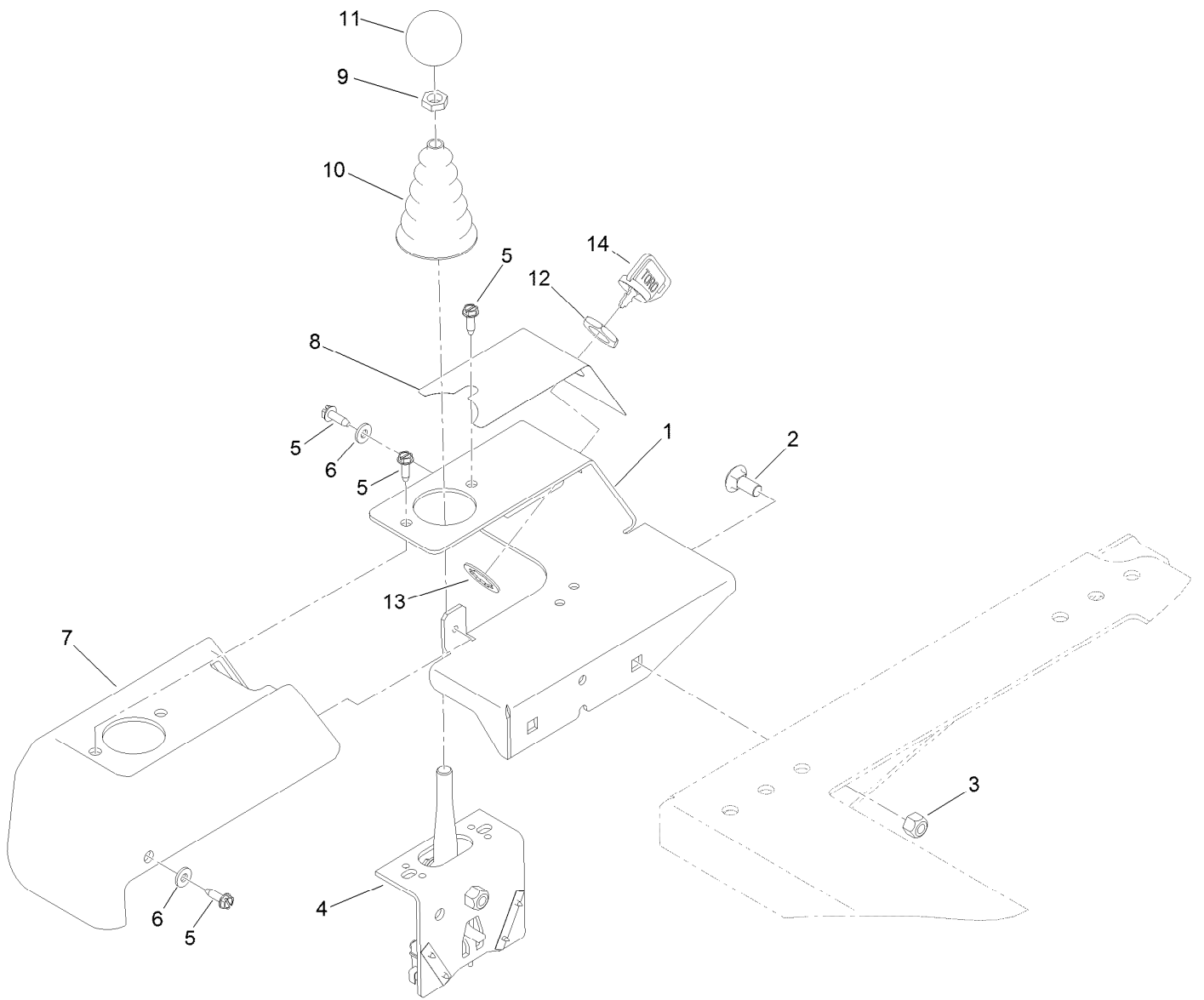
Steering Arm Assembly

Ref.	Part Number	Qty.	Description
1	147-3060-01	1	Steering Arm ASM [red]
2	3234-42	2	Screw-HHF
8	3274-39	6	Screw-HSBH
9	136-8571	1	Mount-Steering
9:2	136-8506	1	Decal-Danger
9:3	136-8505	1	Decal-Danger, CE
14	3290-277	6	Nut-Speed
15	119-9300	1	Cover-Valve, Steering
16	325-6	2	Screw-HH
17	3256-26	2	Washer-Flat
18	47-2890	2	Bushing
19	3296-23	2	Nut-Lock, NI
20	145-4591	1	Knob-Steering
21	3290-467	1	Pin-Hair



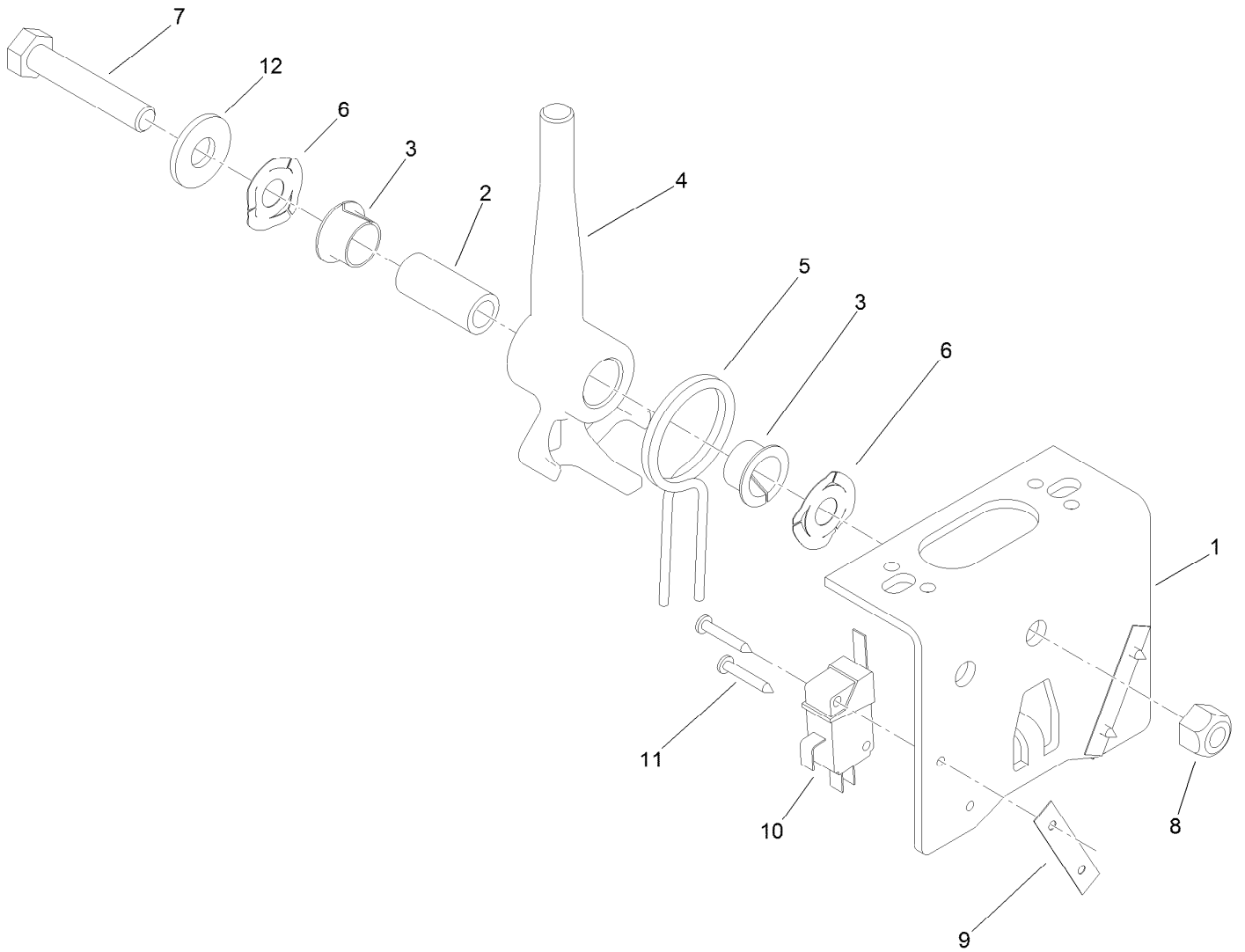
Traction Pedal Assembly

<i>Ref.</i>	<i>Part Number</i>	<i>Qty.</i>	<i>Description</i>	<i>Ref.</i>	<i>Part Number</i>	<i>Qty.</i>	<i>Description</i>
1	127-2222-01	1	Pedal-Traction	15	127-2241	1	Plate-Stop
2	32121-45	1	Pin-Spring	16	256-311	2	Bushing-Split
3	117-9507	1	Pedal-Accelerator	17	3256-24	1	Washer-Plain
4	74-9100	1	Pad-Pedal, Forward	18	33115-016	1	Screw-HH
5	74-9110	1	Pad-Pedal, Reverse	19	132-3803	1	Lock-Neutral
6	127-2244	1	Cable-Neutral Lock	20	2411-38	1	Joint-Ball
7	32104-32	4	Screw-HWH	21	105-5445	1	Cable-Traction
8	93-2279	1	Clamp-Cable	21:1	3220-1	2	Nut-Jam
9	93-2092	1	Clamp-Cable	22	130-6539	1	Lever-Traction
10	94-1375	1	Trunnion-Bracket, Lock	23	117-8304	2	Screw-HHF
11	94-1374	1	Trunnion-Bracket, Mow	24	3296-42	1	Nut-Lock, NI
12	81-0130	2	Nut-Flange, NI	25	321-8	1	Screw-HH
13	94-3489	1	Screw-HH	26	2411-41	1	Rod End-Ball Joint
14	33014-00	1	Nut-Hex	27	125-8775	2	Bushing-Flange



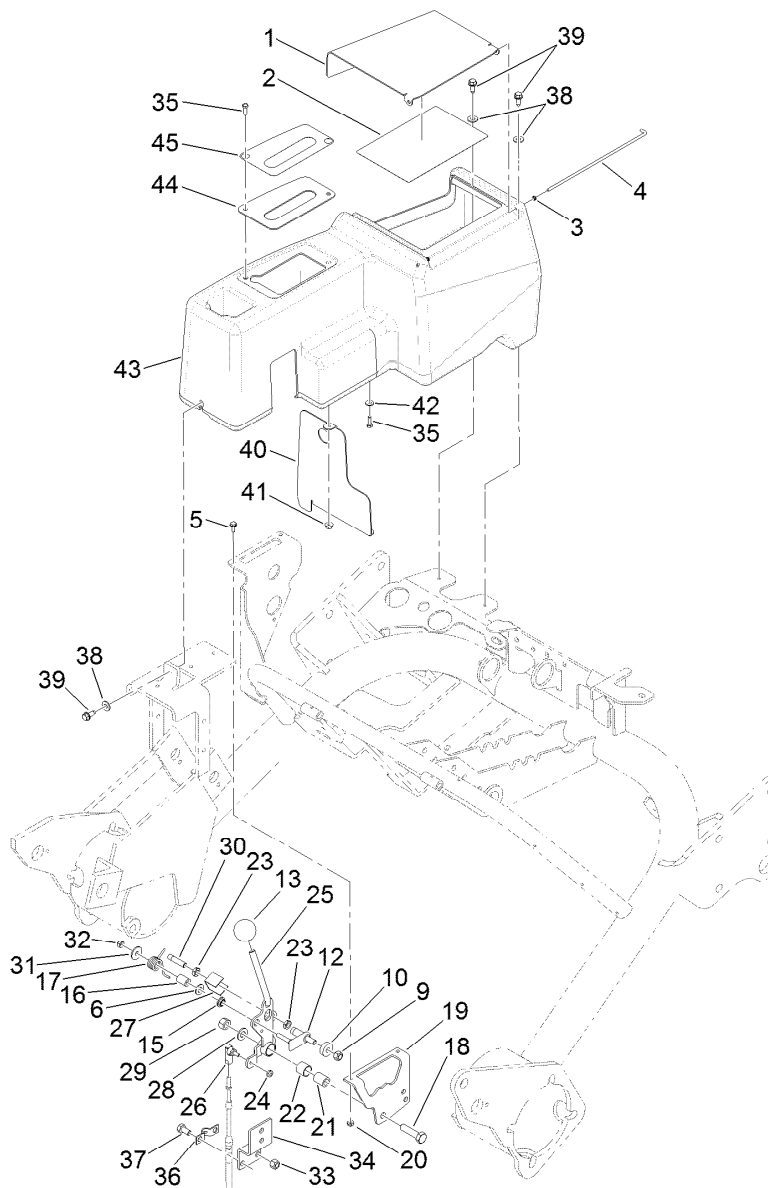
Joystick Assembly

Ref.	Part Number	Qty.	Description
1	105-8252-03	1	Bracket-Pod
2	3230-1	2	Bolt-CARR
3	3296-29	2	Nut-Lock, NI
4	120-5280	1	Bracket-Joystick
5	32144-19	4	Screw-SHWH
6	3256-14	2	Washer-Flat
7	105-8251	1	Pod
8	105-8305	1	Decal-Panel, Control
9	3218-3	1	Nut-Jam
10	93-5961	1	Boot-Lever
11	233-42	1	Knob
12	107-1571	1	Nut-Hex
13	107-1572	1	Washer-Lock
14	63-8360	2	Key-Ignition



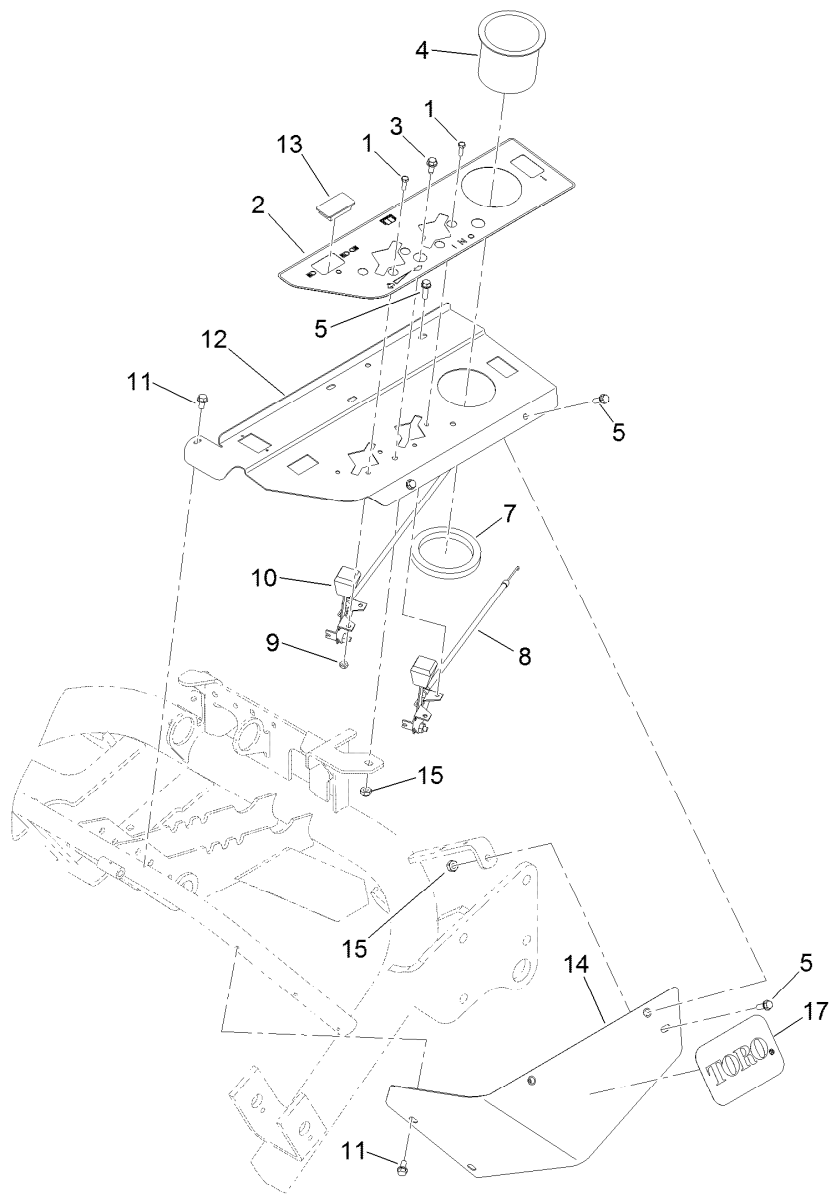
Joystick Bracket Assembly No. 120-5280

<i>Ref.</i>	<i>Part Number</i>	<i>Qty.</i>	<i>Description</i>
1	115-5357-03	1	Bracket-Joystick
2	106-4192	1	Spacer
3	93-5547	2	Bushing-Nylon
4	119-3540	1	Hub-Pivot, Joystick
5	105-8289	1	Spring-Torsion
6	106-4193	2	Washer-Finger, Spring
7	322-9	1	Screw-HH
8	3296-29	1	Nut-Lock, NI
9	3290-354	2	Nut-Speed
10	108-6496	2	Switch (W/Boot)
11	95-3003	4	Screw-PPHTF
12	3256-3	1	Washer-Flat



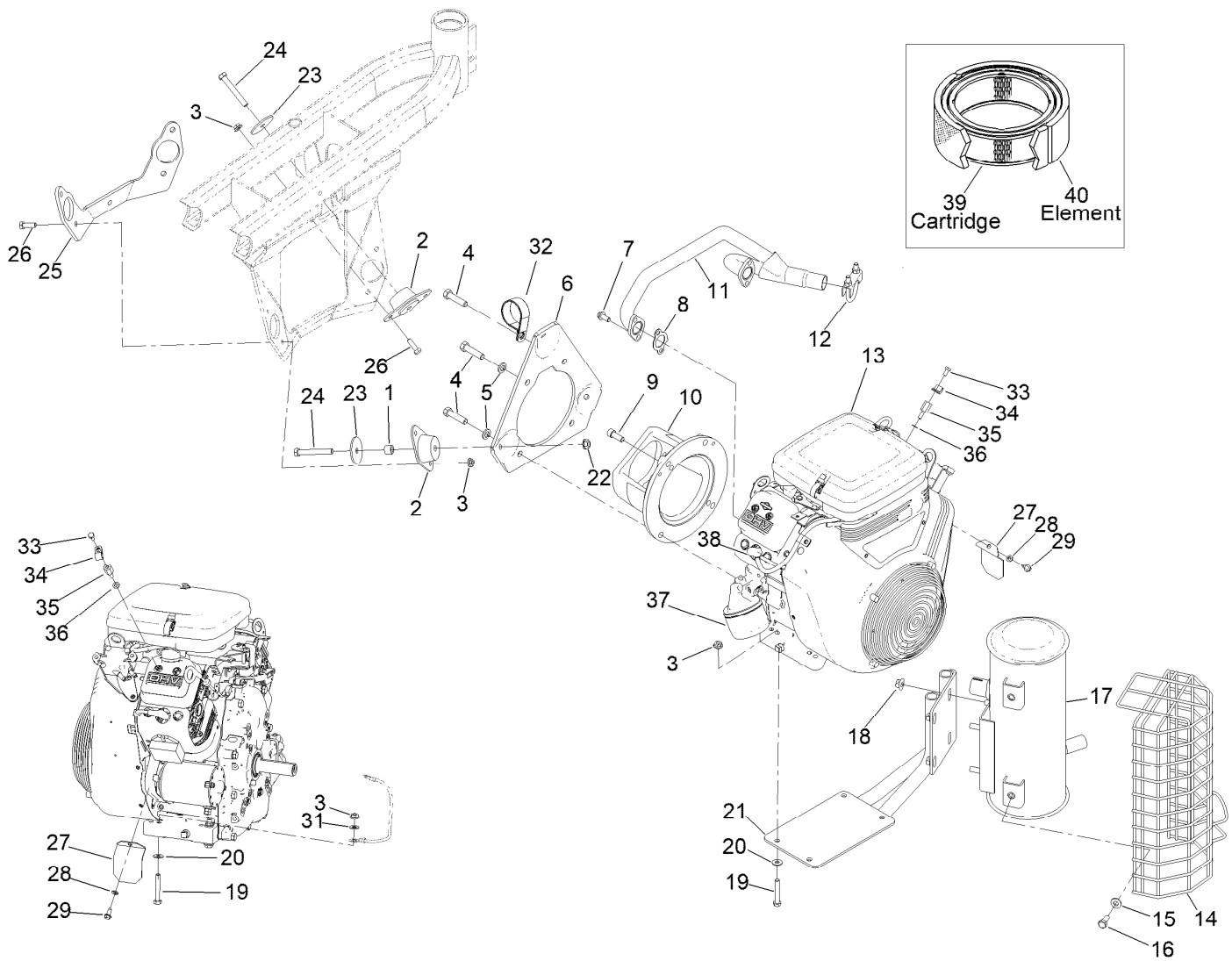
Speed Selector Lever and Console Assembly

Ref.	Part Number	Qty.	Description	Ref.	Part Number	Qty.	Description
1	147-3116-03	1	Lid-Console	26	2411-38	1	Joint-Ball
2	115-8156	1	Decal-Speed, Clip	27	106-6356	1	Shield-Switch
3	105-8283	2	Bushing	28	3256-24	1	Washer-Plain
4	105-8256	1	Rod-Hinge	29	33025-00	1	Nut-Lock, NI
5	3290-321	2	Screw-HWH	30	120-5348	1	Actuator-Switch
6	3256-23	1	Washer-Plain	31	3256-67	1	Washer
9	33024-00	1	Nut-Lock, NI	32	33023-00	1	Nut-Lock
10	251-259	1	Bearing-Ball	33	3296-29	4	Nut-Lock, NI
12	125-1928	1	Pin	34	105-5417-03	1	Bracket-Cable, Shifter
13	233-42	1	Knob	35	3290-134	4	Screw
15	94-9619	1	Bushing	36	93-2279	1	Clamp-Cable
16	94-9618	1	Spacer-Spring	37	322-2	4	Screw-HH
17	94-9620	1	Spring-Torsion	38	3256-22	3	Washer-Flat
18	33115-040	1	Screw-HH	39	32144-10	3	Screw-HWH
19	94-6398	1	Bracket-Traction	40	105-8255-03	1	Baffle-Console
20	3296-12	2	Nut-Lock, NI	41	3290-148	4	Nut-HF
21	94-1378	1	Tube-Pivot, Handle	42	3256-77	2	Washer-Flat
22	136-8417	1	Bushing	43	105-8250	1	Console
23	117-4059	2	Nut-Hex	44	105-8280-03	1	Plate-Console
24	3296-27	1	Nut-Lock, NI	45	105-8306	1	Decal-Selector, Speed
25	140-6191	1	Handle Assembly				



Control Panel Assembly

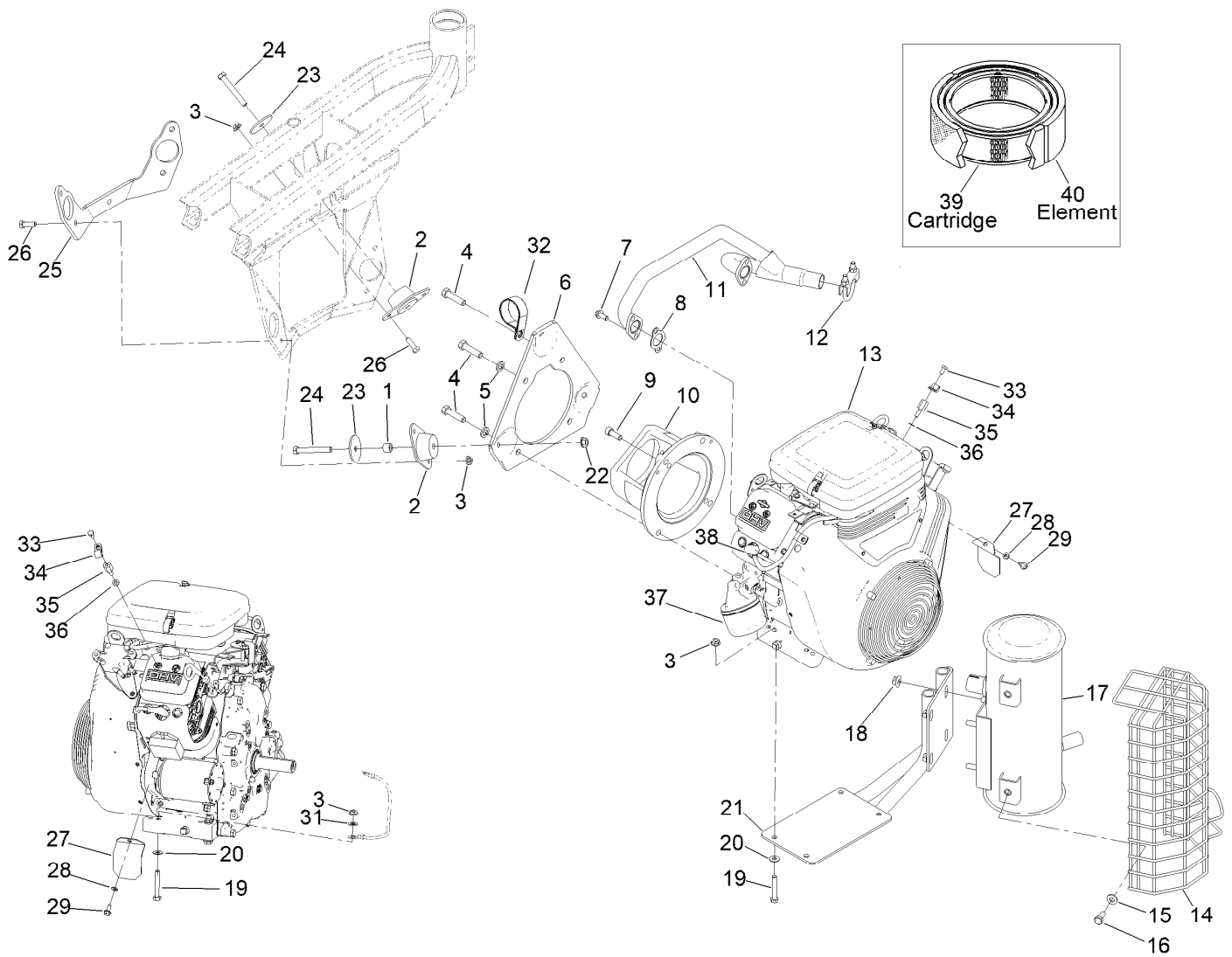
Ref.	Part Number	Qty.	Description
1	3290-134	4	Screw
2	131-2007	1	Decal-Panel, Control (Left)
3	32144-10	2	Screw-HWH
4	94-1410	1	Holder-Can, Beverage
5	32105-15	4	Screw-HWH
7	104-1476	1	Ring-Rubber
8	83-0040	1	Control-Choke
9	3296-12	4	Nut-Lock, NI
10	83-0030	1	Control-Throttle
11	32104-116	3	Screw-HWHTF
12	127-2246-03	1	Panel-Control
13	99-7420	1	Plug-Hole
14	105-5411	1	Shield-Cover, Valve
15	3296-16	2	Nut-Lock, NI
17	94-2579	1	Decal



Engine Installation Assembly

Ref.	Part Number	Qty.	Description	Ref.	Part Number	Qty.	Description
1	93-9847	2	Spacer	18	32128-19	4	Nut-HF Lock, Large Flg
2	125-5244	3	Mount-Engine	19	322-10	4	Screw-HH
3	32128-20	10	Nut-HF	20	87-8640	4	Washer-Flat
4	324-7	4	Screw-HH	21	127-6130-03	1	Mount-Muffler
5	3253-6	3	Washer-Lock	22	3290-357	3	Nut-HSF
6	85-8120-0P	1	Engine Mount Plate *b	23	83-1040	3	Washer-Flat
7	94-5300	4	Screw-HHF	24	323-13	3	Screw-HH
8	94-3449	2	Gasket-Manifold, Exhaust	25	121-9539-01	1	Support-Engine
9	3274-7	2	Screw-HSH	26	322-5	6	Screw-HH
10	83-1060-0P	1	Pump Mount - Mach. *b	27	83-2310	1	Shield-Regulator
11	119-4128	1	Manifold-Exhaust	28	3253-3	1	Washer-Lock
12	2112-11	1	Clamp-Muffler	29	32144-10	1	Screw-HWH
13	139-6524	1	Engine-Briggs Stratton, Vanguard ●	31	3256-23	1	Washer-Plain
14	112-0291	1	Shield-Muffler	32	114-9566	1	Clamp-R
15	100-4852	4	Washer-Hardened	33	33113-012	1	Screw-HH
16	323-5	4	Screw-HH	34	2412-94	1	Clamp
17	110-4001	1	Muffler	35	106-4616	1	Screw-Spacer
				36	127-2229	1	Washer-Fiber

● Obtain parts from www.briggsandstratton.com

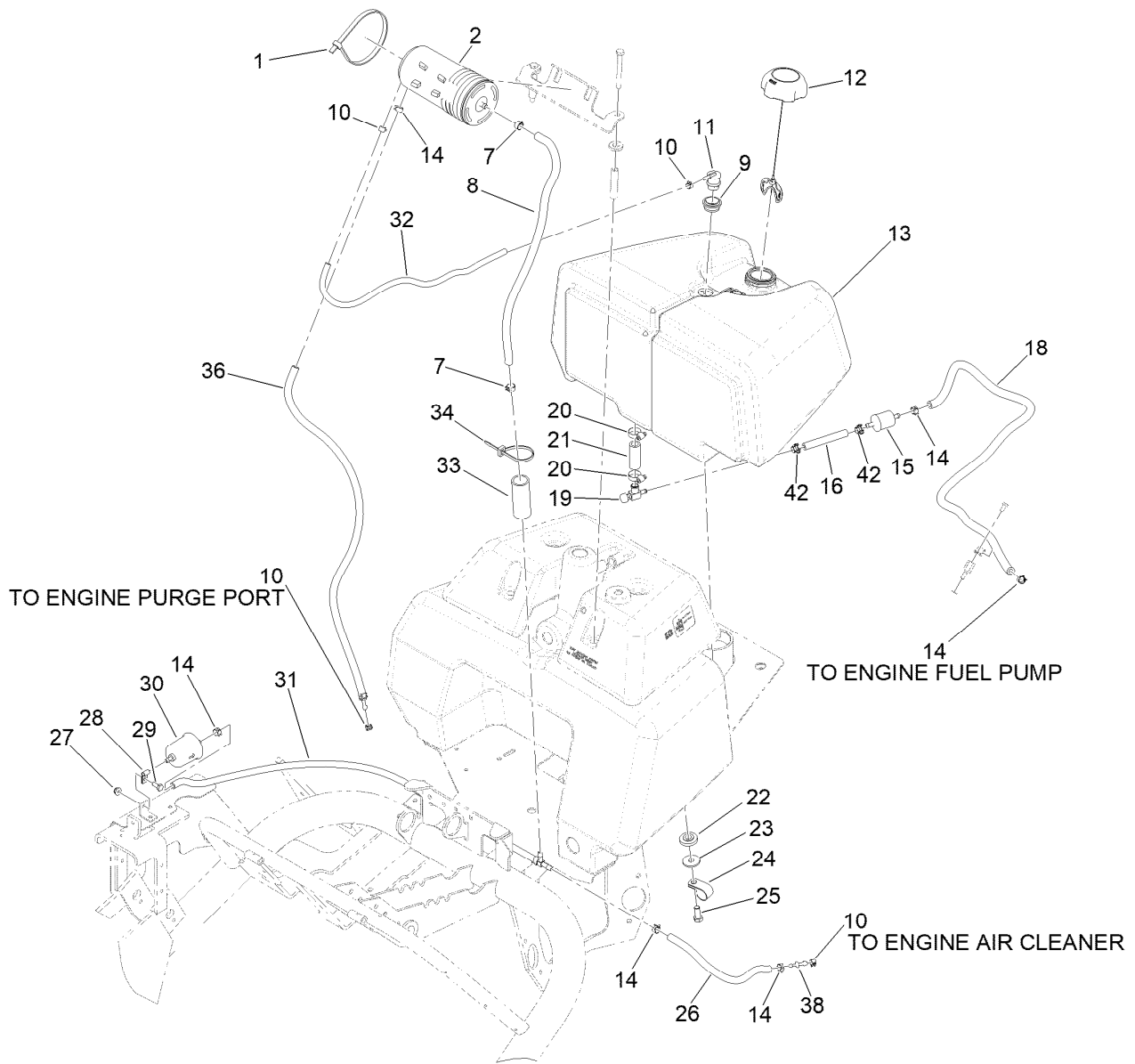


Engine Installation Assembly (continued)

Ref.	Part Number	Qty.	Description
37	107-7817	1	Filter-Oil, Engine
38	108-6945	2	Plug-Spark

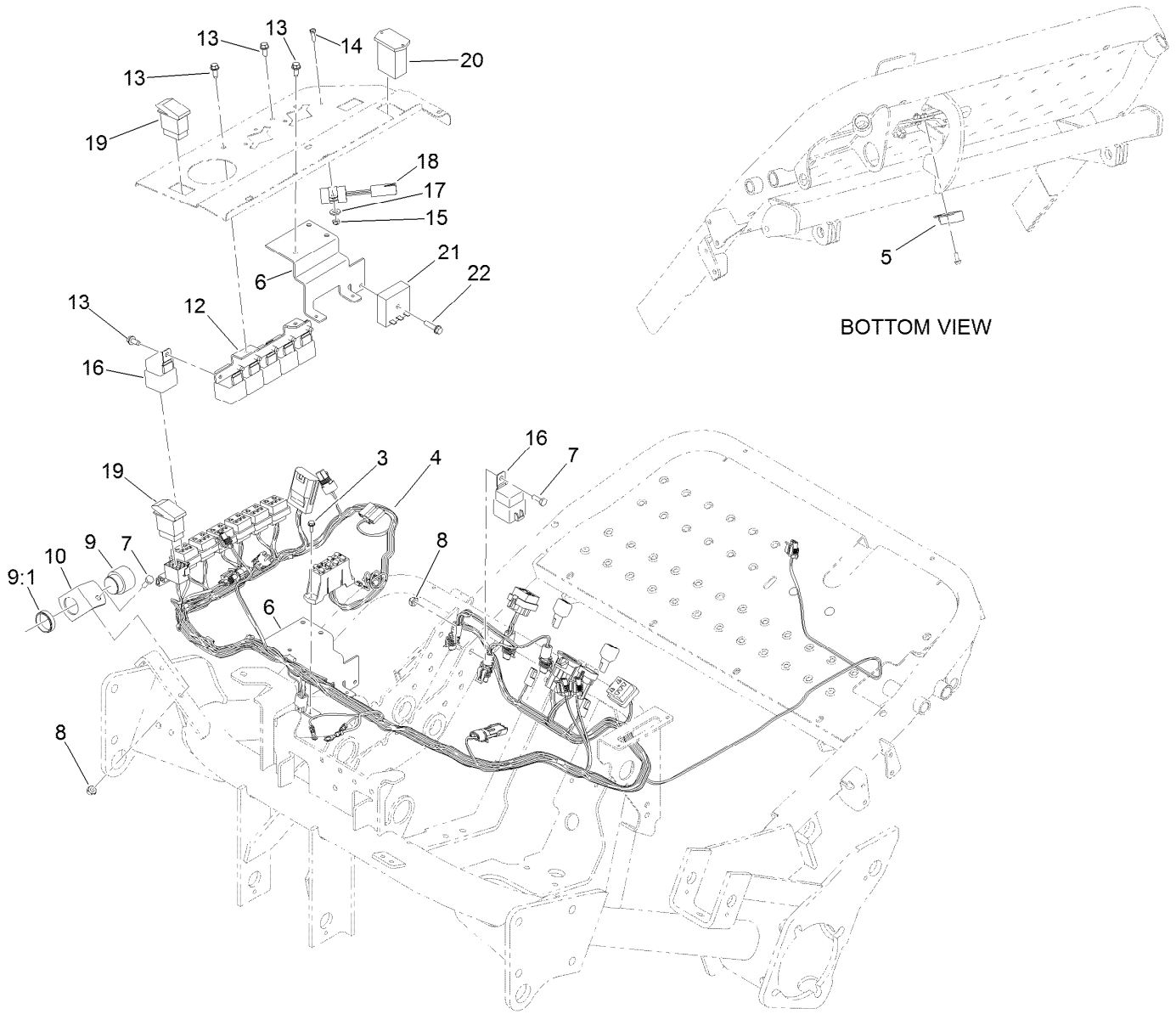
Ref.	Part Number	Qty.	Description
39	92-0527	1	Cartridge-Cleaner, Air
40	92-0530	1	Element-Filter

● Obtain parts from www.briggsandstratton.com



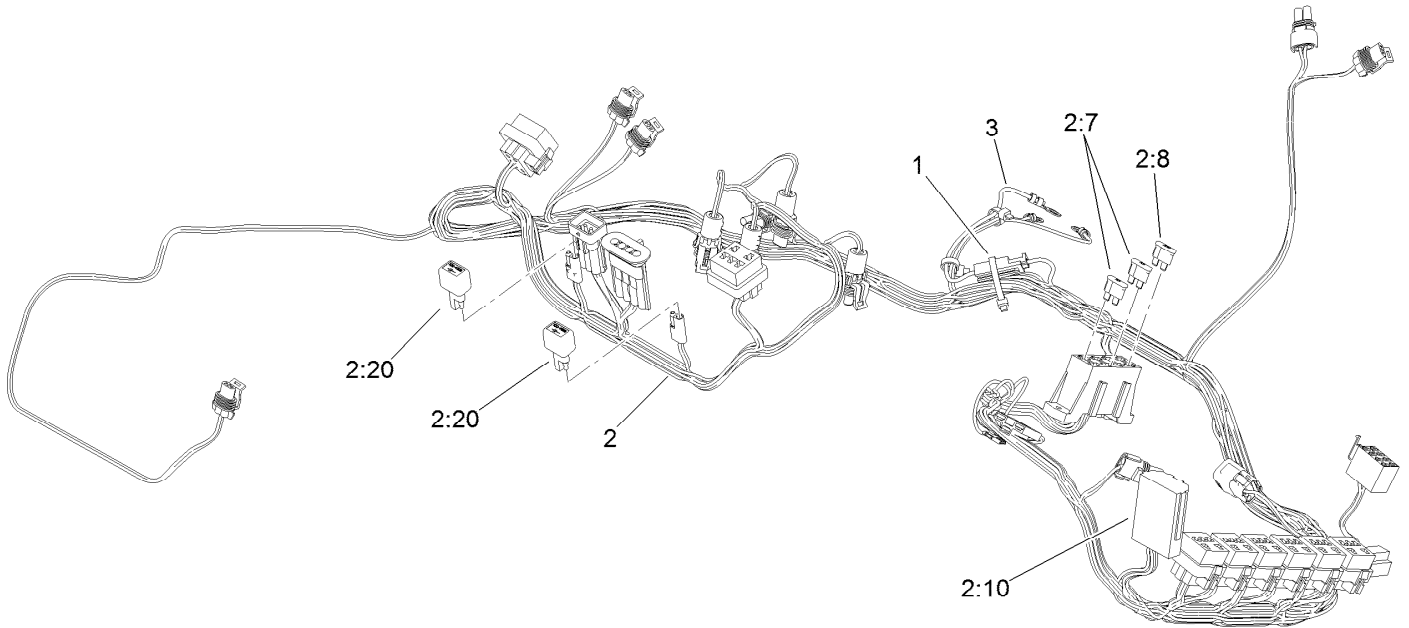
Fuel Tank Assembly

Ref.	Part Number	Qty.	Description	Ref.	Part Number	Qty.	Description
1	103-2446	2	Tie-Cable	22	240-11	4	Bushing-Flange
2	117-1221	1	Canister-Carbon, 800Cc	23	63-8410	4	Washer
7	92-2379	2	Clamp-Hose	24	2412-41	3	Clamp-R
8	114-4028	1	Hose-Fuel	25	323-6	4	Screw-HH
9	114-0284	1	Grommet	26	109-0296	1	Hose-Fuel
10	2412-80	4	Clamp-Hose	27	104-7201	1	Nut-HF, NI
11	119-3547	1	Valve-Vent, Fuel	28	2412-72	1	Clip-Closed, Insulated
12	137-4127	1	Cap-Fuel	29	321-3	1	Screw-HH
13	115-5387	1	Tank-Fuel	30	121-2583	1	Filter-Fuel, Inline
14	2412-98	6	Clamp-Hose	31	121-2584	1	Hose ASM
15	94-2690	1	Filter-Fuel	32	119-8149	1	Hose-Fuel
16	109-0660	1	Hose-Fuel	33	121-2586	1	Tubing-Convolved, Slit
18	109-0275	1	Hose-Fuel	34	3290-378	2	Tie-Cable
19	83-1390	1	Valve-Shut-Off, Fuel	36	121-2585	1	Hose ASM
20	2412-36	2	Clamp-Hose	38	121-2573	1	Fitting-Straight
21	106-1128	1	Hose-Fuel	42	145-4564	2	Clamp-Band, Screw



Wire Harness Assembly

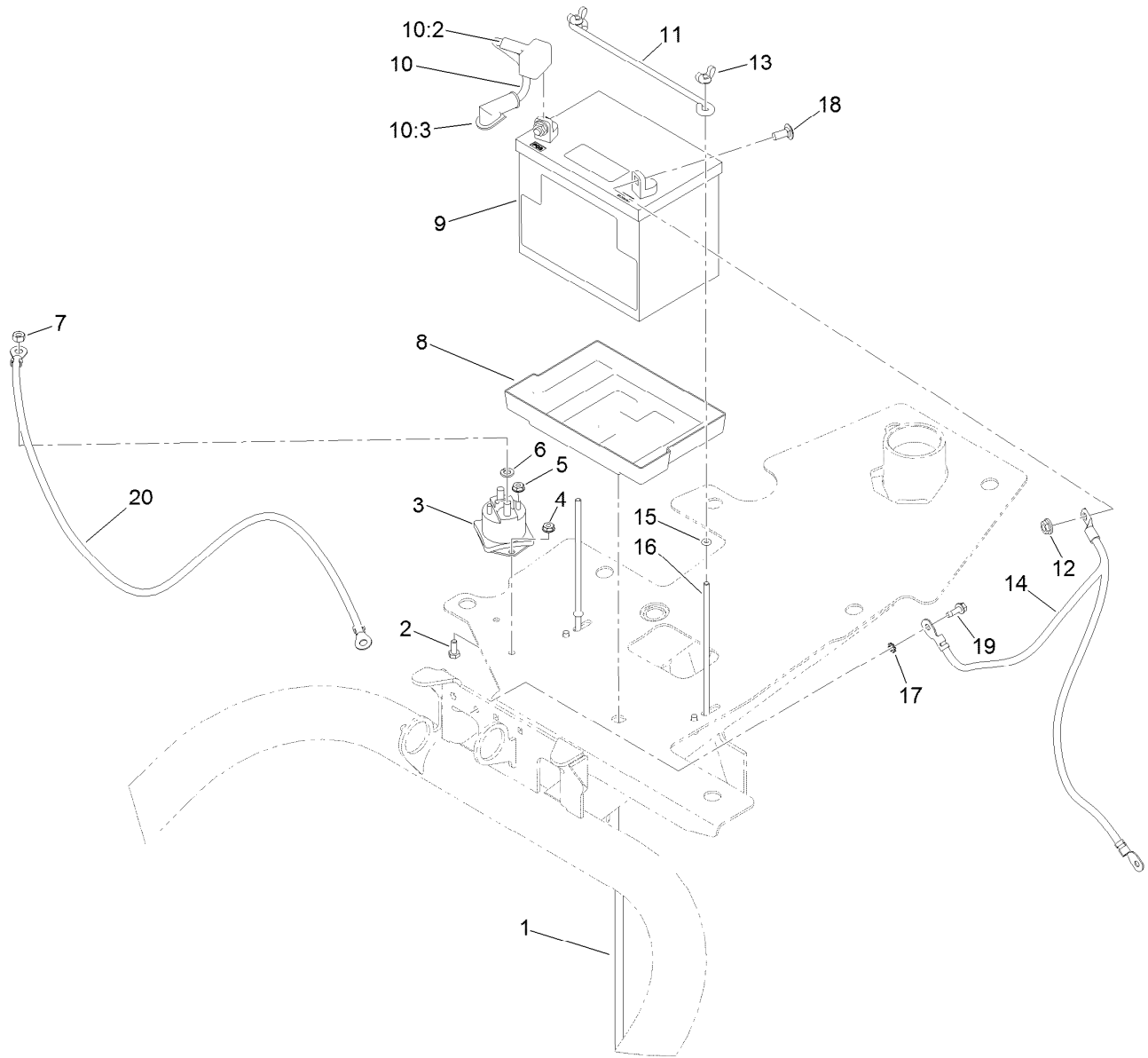
<i>Ref.</i>	<i>Part Number</i>	<i>Qty.</i>	<i>Description</i>	<i>Ref.</i>	<i>Part Number</i>	<i>Qty.</i>	<i>Description</i>
3	32144-1	2	Screw-Taptite	13	32144-10	9	Screw-HWH
4	122-1453	1	Harness-Wire, Main	14	3290-134	1	Screw
5	104-2057	1	Sensor	15	3296-12	1	Nut-Lock, NI
6	105-4310-01	1	Bracket-Fuse	16	99-7430	7	Relay-Mini
7	321-4	2	Screw-HH	17	3256-22	1	Washer-Flat
8	3296-16	2	Nut-Lock, NI	18	83-2280	1	Timer-Delay
9	80-9330	1	Audio Alarm ASM	19	106-2027	1	Switch-Intermittent
9:1	104-5107	1	Nut-Plastic, Knurled	20	120-2244	1	Hourmeter
10	83-1530	1	Bracket-Support, Buzzer	21	92-2538	1	Module-Timer
12	105-4306-03	1	Bracket-Relay	22	32144-86	1	Screw-HWHTF



Wire Harness Assembly No. 122-1453

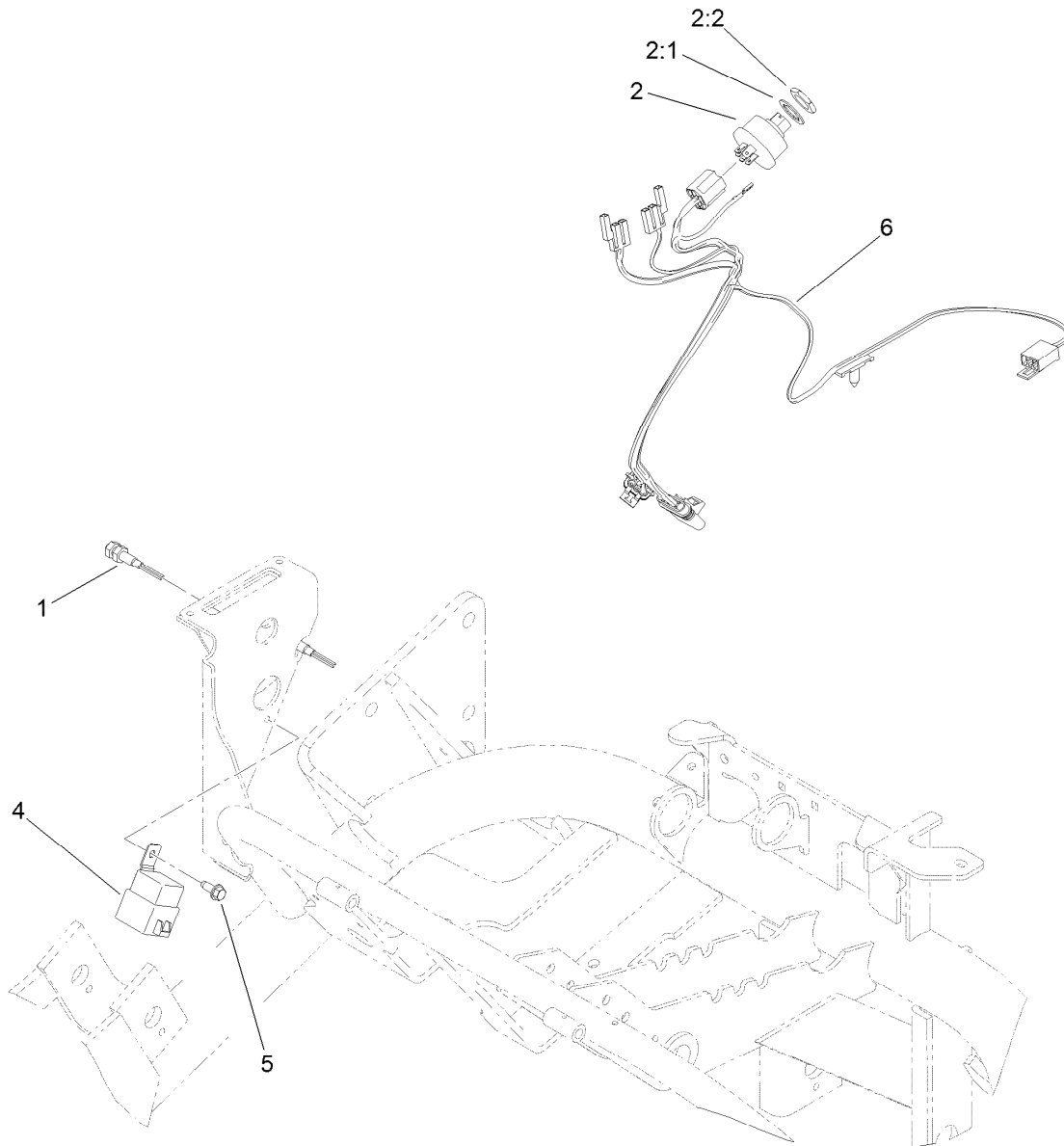
<i>Ref.</i>	<i>Part Number</i>	<i>Qty.</i>	<i>Description</i>
1	3290-378	3	Tie-Cable
2		1	Harness-Wire ●
2:7	218-578	2	Fuse-Blade, 10 Amp
2:8	109101	1	Fuse-Blade, 20 Amp
2:10	92-3188	2	Diode-Board, Circuit
2:20	100-4918	2	Diode
3	108-9455	1	Harness-Wire, Fusible Link

● Not serviced separately



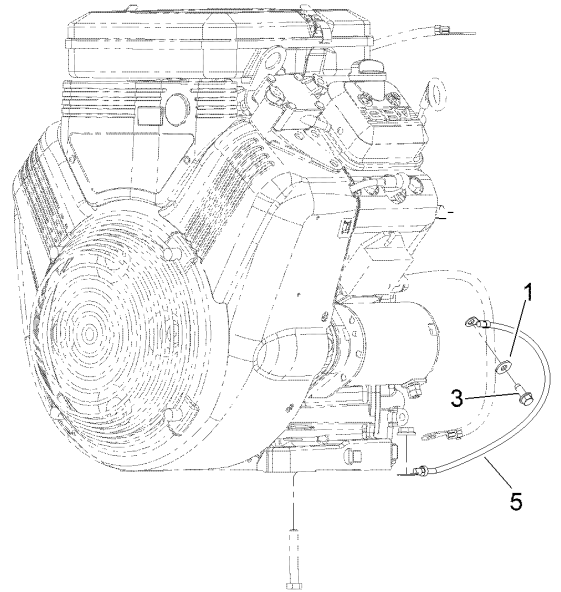
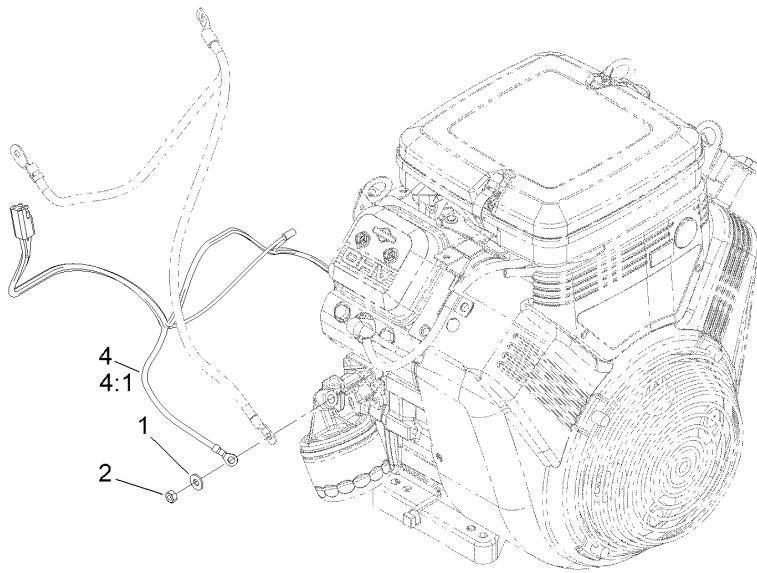
Battery Assembly

<i>Ref.</i>	<i>Part Number</i>	<i>Qty.</i>	<i>Description</i>	<i>Ref.</i>	<i>Part Number</i>	<i>Qty.</i>	<i>Description</i>
1	104-2061	1	Tube - Battery Drain	10:3	83-2430	1	Boot-Terminal
2	321-3	2	Screw-HH	11	100-6434	1	Rod-Hold Down, Battery
3	28-4210	1	Solenoid	12	32128-20	2	Nut-HF
4	32149-2	2	Nut-Keps	13	32103-22	2	Nut-Wing
5	32149-8	2	Nut-Keps	14	122-0370	1	Cable-Battery, Negative
6	3253-4	2	Washer-Lock	15	237-143	2	O-Ring
7	3218-13	2	Nut-Jam, Brass	16	100-6435	2	Post-Battery
8	106948	1	Tray-Battery	17	3256-23	1	Washer-Plain
9	99-7421	1	Battery- Wet, 12V, 300 CCA	18	3230-23	2	Bolt-CARR
10	83-2420	1	Positive Cable ASM	19	32104-95	1	Screw-HWH
10:2	28-8080	1	Boot-Terminal	20	98-2161	1	Cable-Battery, Positive



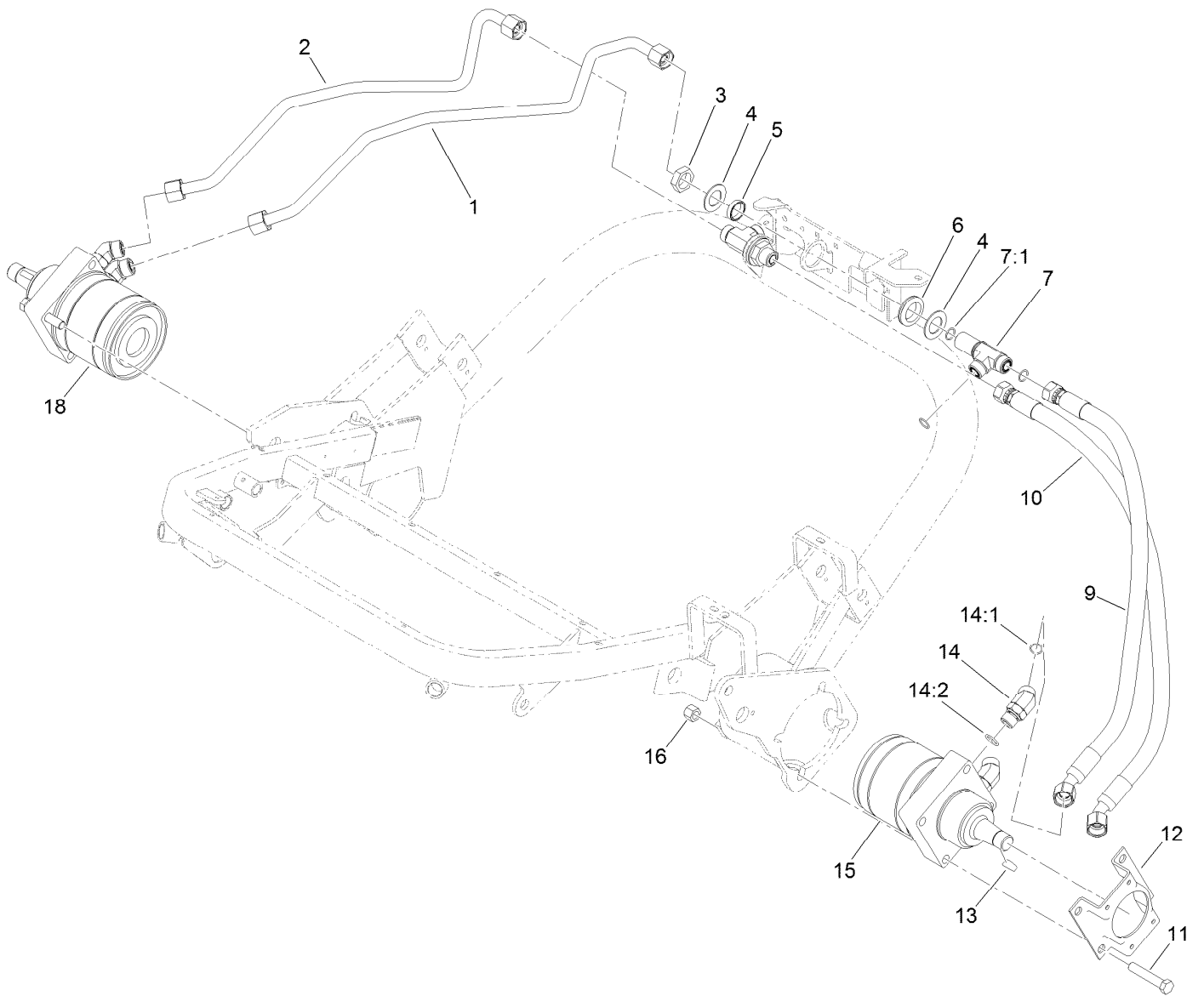
Ignition and Reed Switch Assembly

<i>Ref.</i>	<i>Part Number</i>	<i>Qty.</i>	<i>Description</i>
1	112-0278	2	Sensor - Reed Switch
2	104-2541	1	Ignition Switch ASM
2:1	218-461	1	Nut-HH
2:2	3254-5	1	Washer-Lock
4	99-7430	1	Relay-Mini
5	32144-10	1	Screw-HWH
6	108-9466	1	Harness-Wire, Seat



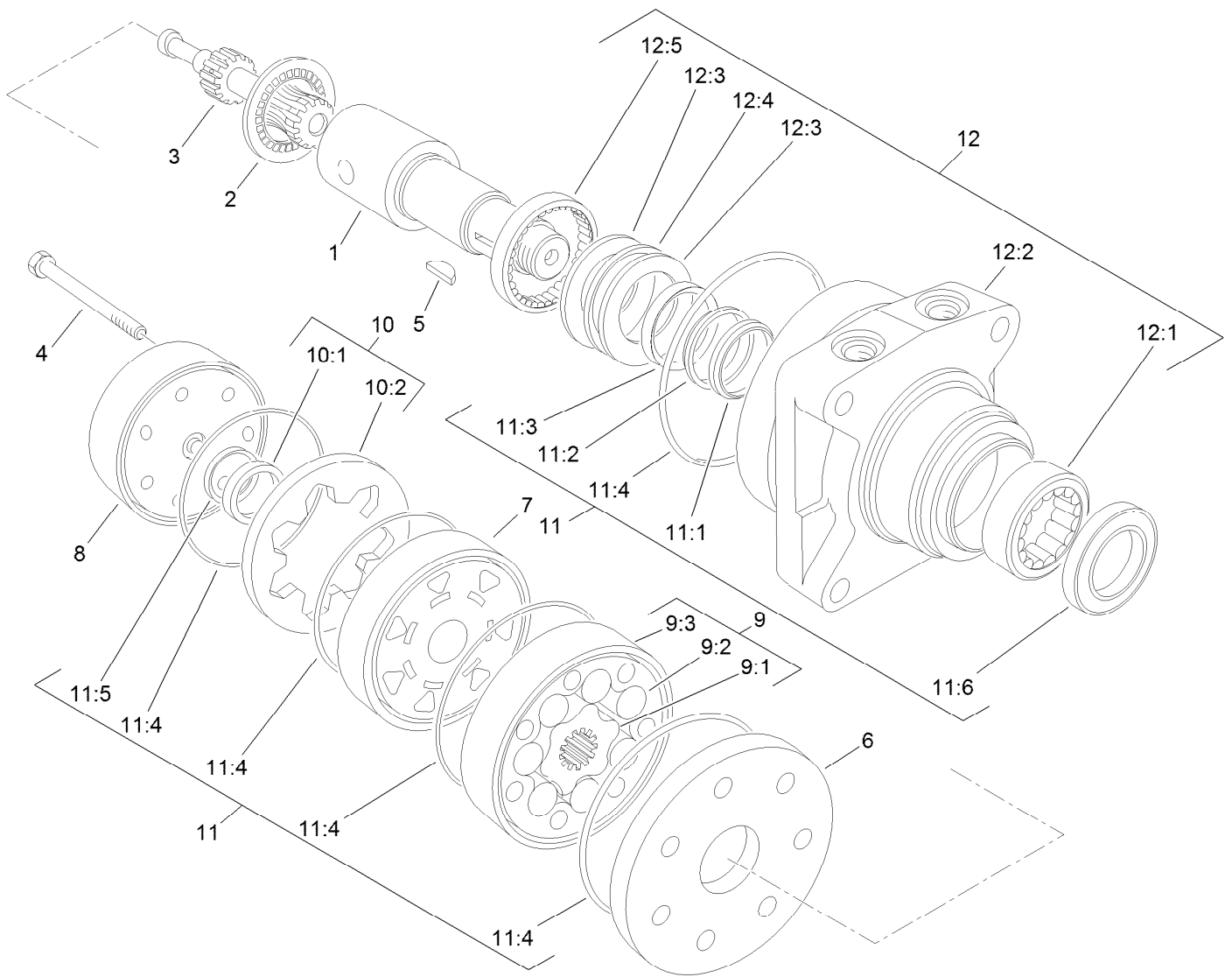
Engine Wire Harness Assembly

<i>Ref.</i>	<i>Part Number</i>	<i>Qty.</i>	<i>Description</i>
1	119-8952	2	Washer-Spcl
2	43-2830	1	Nut-Hex
3	32144-10	1	Screw-HWH
4	105-8276	1	Harness-Wire, Engine
4:1	106-4642	1	Harness-Wire, Fusible Link
5	108-6486	1	Wire-Ground



Ground Drive Assembly

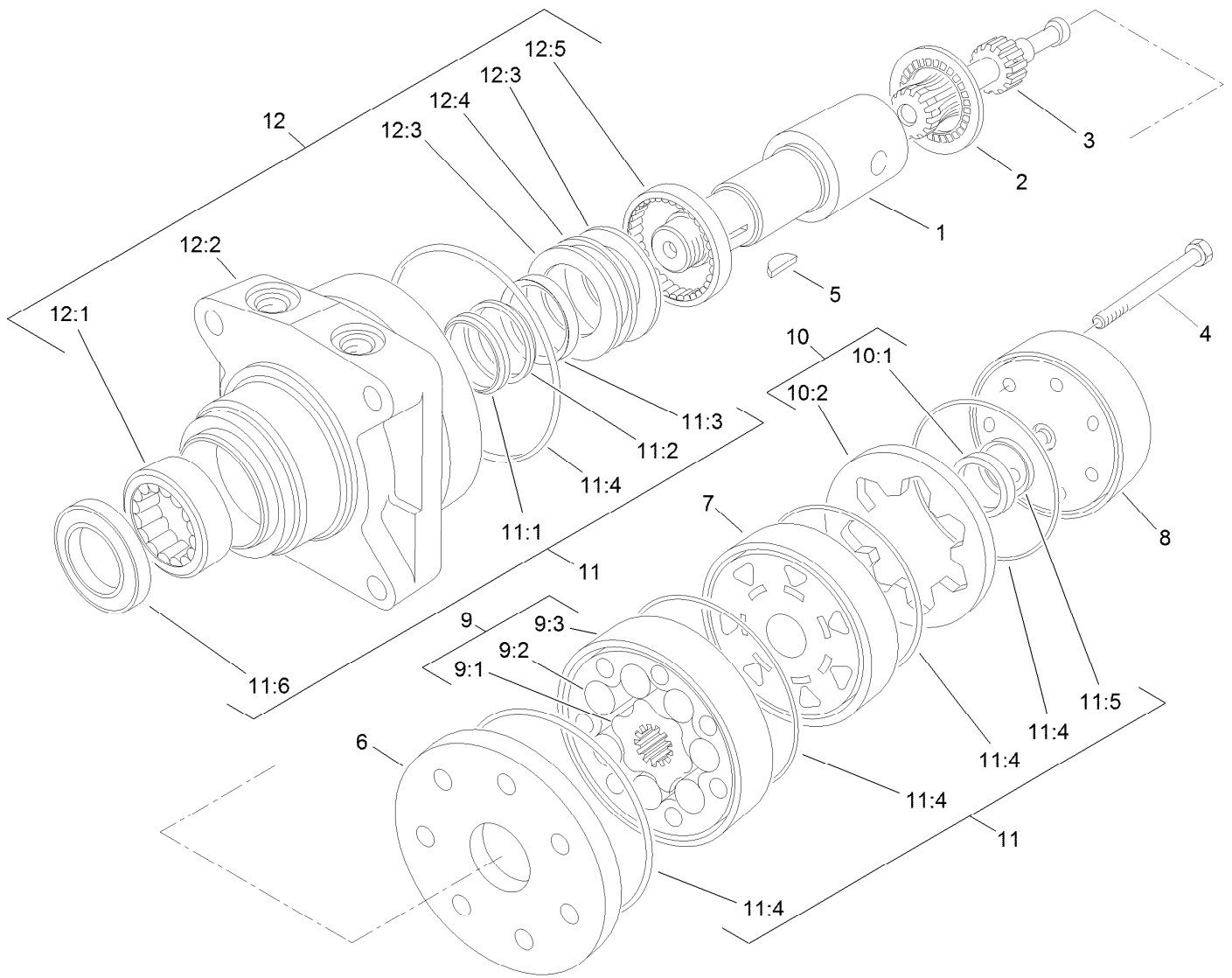
<i>Ref.</i>	<i>Part Number</i>	<i>Qty.</i>	<i>Description</i>	<i>Ref.</i>	<i>Part Number</i>	<i>Qty.</i>	<i>Description</i>
1	112-0204	1	Tube-HYD	11	325-11	8	Screw-HH
2	112-0203	1	Tube-HYD	12	147-3595	2	Bracket-Brake
3	340-74	2	Nut-Lock, Bulkhead	13	3257-42	2	Key-Woodruff
4	69-9010	4	Washer	14	340-14	4	Fitting-HYD, 45 DEG
5	125-1984	2	Spacer	14:1	237-65	1	O-Ring
6	240-3	2	Grommet-Rubber	14:2	237-80	1	O-Ring
7	94-5350	2	Fitting-Tee	15	110-4015	1	HYD Motor ASM (CCW)
7:1	237-65	3	O-Ring	16	3296-23	8	Nut-Lock, NI
9	138-4975	1	Hose ASM-HYD HP	18	110-4016	1	HYD Motor ASM (CW)
10	105-4333	1	Hose-HYD				



Hydraulic Motor Assembly (CW) No. 110-4016

Ref.	Part Number	Qty.	Description	Ref.	Part Number	Qty.	Description
1	76-0860	1	Shaft-Coupling	10:2		1	Ring-Commutator ●
2	76-0850	1	Bearing-Thrust	11	100-6131	1	Seal Kit
3	92-9761	1	Link-Drive	11:1		1	Ring-Back Up ●
4	92-9762	7	Screw-HH	11:2		1	Washer-Back Up ●
5	3257-42	1	Key-Woodruff	11:3		1	Seal-Shaft ●
6	92-9754	1	Plate-Wear	11:4		5	Seal-Ring ●
7	76-0840	1	Manifold	11:5		1	Seal-Commutator ●
8	76-0940	1	End Cover ASM	11:6		1	Seal-Dirt And Water ●
9	92-9763	1	Rotor Set	12	76-0810	1	Housing ASM
9:1		1	Rotor ●	12:1		1	Bearing ●
9:2		1	Vane ●	12:2		1	Housing ●
9:3		1	Stator ●	12:3		2	Washer-Thrust ●
10	76-0880	1	Commutator ASM	12:4		1	Bearing-Thrust ●
10:1		1	Commutator ●	12:5		1	Bearing ●

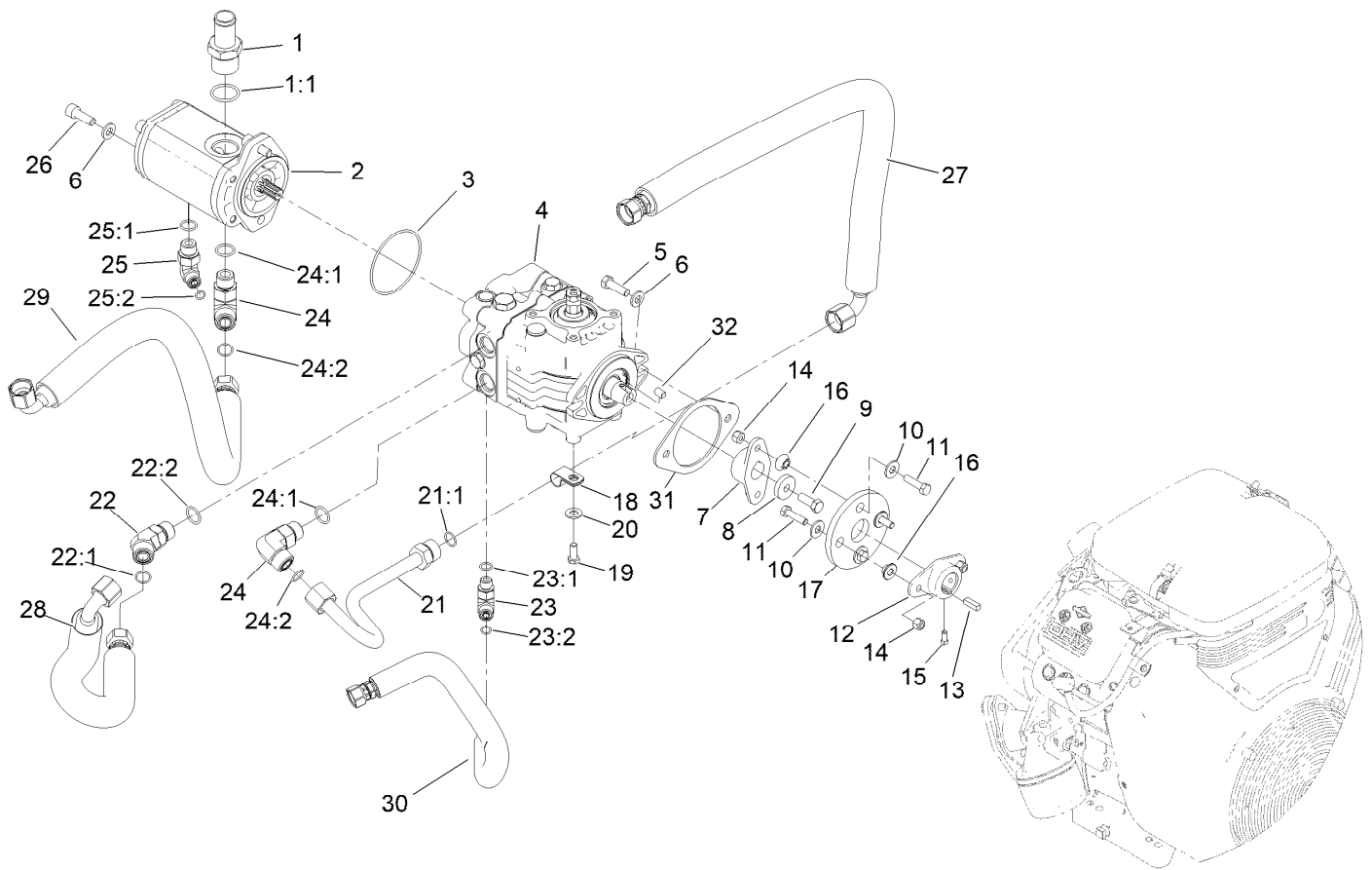
● Not serviced separately



Hydraulic Motor Assembly (CCW) No. 110-4015

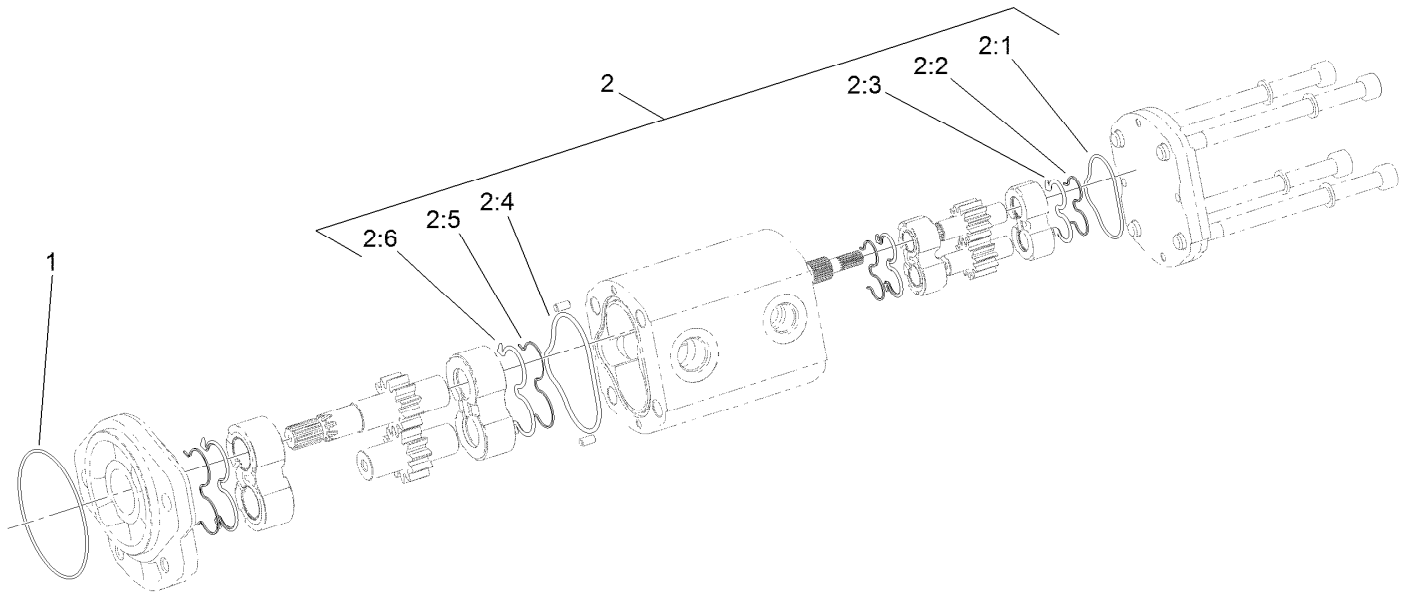
Ref.	Part Number	Qty.	Description	Ref.	Part Number	Qty.	Description
1	76-0860	1	Shaft-Coupling	10:2		1	Ring-Commutator ●
2	76-0850	1	Bearing-Thrust	11	100-6131	1	Seal Kit
3	92-9761	1	Link-Drive	11:1		1	Ring-Back Up ●
4	92-9762	7	Screw-HH	11:2		1	Washer-Back Up ●
5	3257-42	1	Key-Woodruff	11:3		1	Seal-Shaft ●
6	92-9754	1	Plate-Wear	11:4		5	Seal-Ring ●
7	76-0840	1	Manifold	11:5		1	Seal-Commutator ●
8	76-0940	1	End Cover ASM	11:6		1	Seal-Dirt And Water ●
9	92-9763	1	Rotor Set	12	76-0810	1	Housing ASM
9:1		1	Rotor ●	12:1		1	Bearing ●
9:2		1	Vane ●	12:2		1	Housing ●
9:3		1	Stator ●	12:3		2	Washer-Thrust ●
10	76-0880	1	Commutator ASM	12:4		1	Bearing-Thrust ●
10:1		1	Commutator ●	12:5		1	Bearing ●

● Not serviced separately



Hydrostat and Gear Pump Drive Assembly

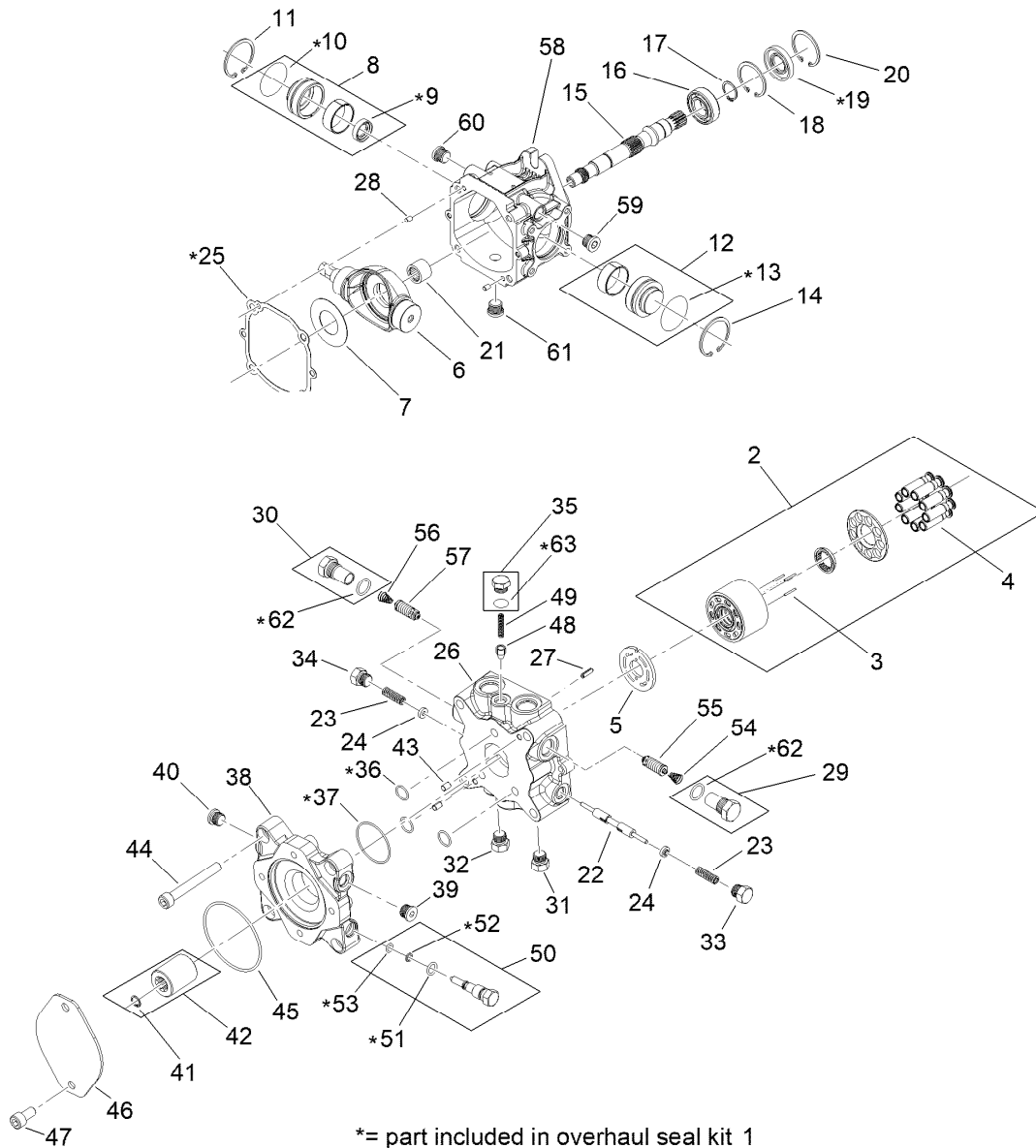
Ref.	Part Number	Qty.	Description	Ref.	Part Number	Qty.	Description
1	354-78	1	Fitting-STR	21	140-5228	1	Tube-HYD
1:1	237-146	1	O-Ring	21:1	237-65	1	O-Ring
2	114-9956	1	HYD Gear Pump ASM	22	340-14	1	Fitting-HYD, 45 DEG
3	237-161	1	O-Ring	22:1	237-65	1	O-Ring
4	139-6474	1	Pump-Hydro, Danfoss	22:2	237-80	1	O-Ring
5	323-7	2	Screw-HH	23	340-77	1	Fitting-Elbow, 90 DEG
6	100-4852	4	Washer-Hardened	23:1	237-22	1	O-Ring
7	119-4485	1	Hub-Pump	23:2	237-42	1	O-Ring
8	138-8594	1	Spacer	24	340-17	2	Fitting-Elbow, 90 DEG
9	3211-4	1	Screw-HH	24:1	237-65	1	O-Ring
10	3256-3	4	Washer-Flat	24:2	237-80	1	O-Ring
11	322-6	4	Screw-HH	25	340-18	1	Fitting-HYD, 90 DEG
12	110-5236	1	Hub-Engine	25:1	237-79	1	O-Ring
13	10-7070	1	Key-Square	25:2	237-22	1	O-Ring
14	3296-29	4	Nut-Lock, NI	26	AU862-10030	2	Screw-HSH
15	3241-7	2	Screw-SQH	27	99-6193	1	Hose ASM
16	125-9249	4	Spacer-Coupler, Rubber	28	105-4332	1	Hose-HYD
17	115-4523	1	Coupling-Rubber	29	131-2042	1	Hose-HYD
18	2412-41	1	Clamp-R	30	140-5227	1	Hose ASM
19	33114-020	1	Screw-HH	31	145-4588	1	Plate-Spacer, Hydro
20	3256-24	1	Washer-Plain	32	145-4589	1	Key-Squ



Hydraulic Gear Pump Assembly No. 114-9956

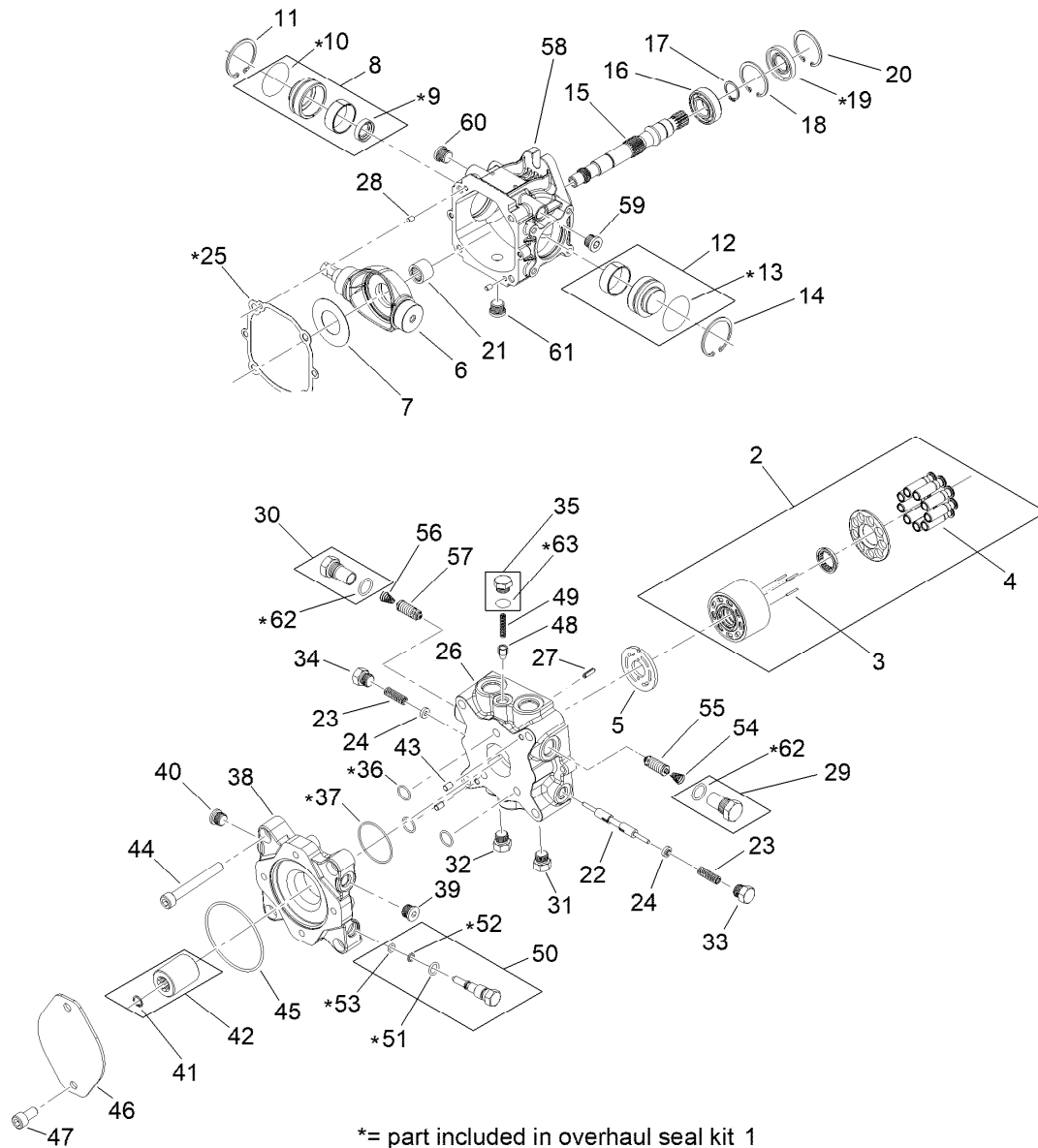
<i>Ref.</i>	<i>Part Number</i>	<i>Qty.</i>	<i>Description</i>
1	353-949	1	O-Ring
2	119-7134	1	Kit-Seal
2:1		1	O-Ring ●
2:2		2	Seal-Extrusion, Anti ●
2:3		2	Seal-Backup ●
2:4		1	O-Ring ●
2:5		2	Seal-Extrusion, Anti ●
2:6		2	Seal-Backup ●

● Not serviced separately



Hydraulic Pump Assembly No. 139-6474

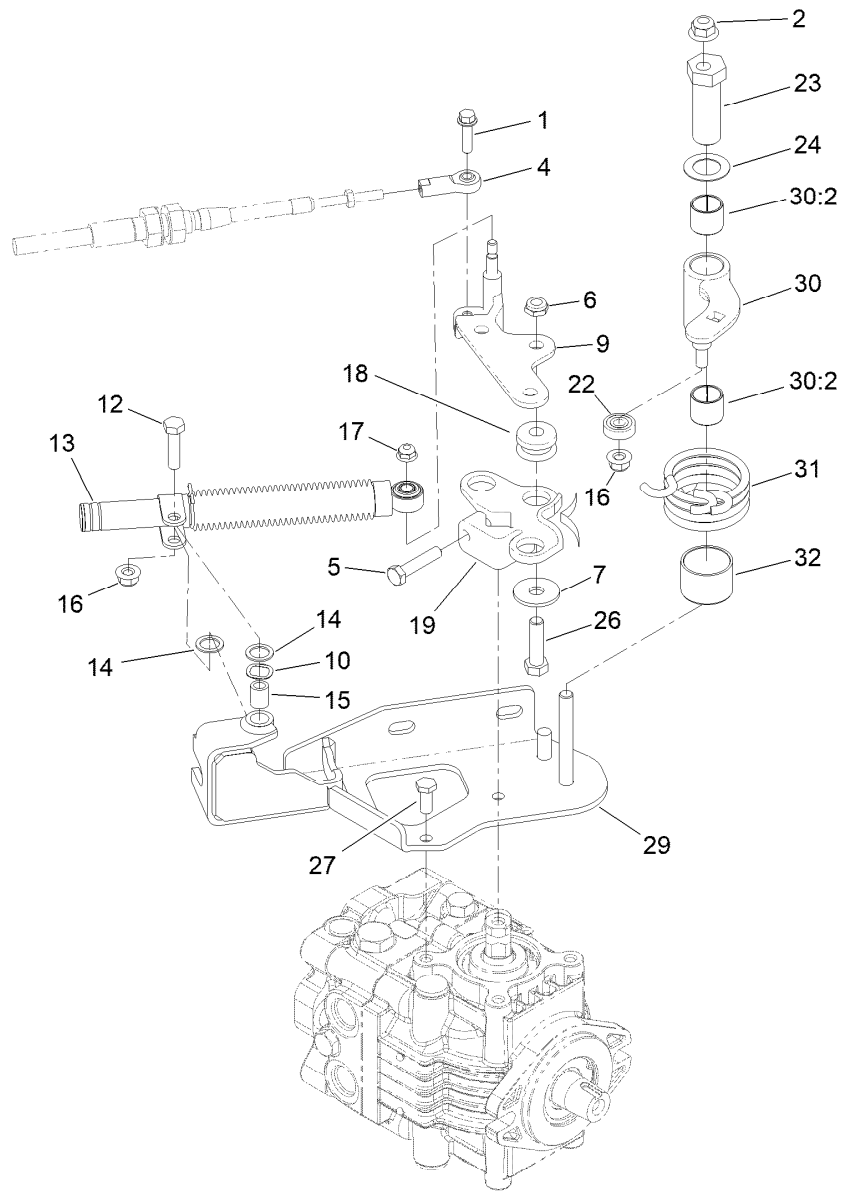
Ref.	Part Number	Qty.	Description	Ref.	Part Number	Qty.	Description
1	136-1010	1	Seal Overhaul Kit	22	145-2690	1	Spool-Flushing
2	145-2670	1	Kit-Cylinder Block	23	145-2691	2	Spring Flushing
3	145-2671	3	Pin-Slipper Holddown	24	145-2692	2	Guide Spring
4	145-2672	9	Piston Assy	25	145-2693	1	Gasket
5	145-2673	1	Valveplate-Pump	26	145-2694	1	Endcap
6	145-2674	1	Swashplate	27	145-2695	1	Pin-Slitted
7	145-2675	1	Plate-Thrust	28	145-2696	2	Pin-Straight
8	145-2676	1	Journal Carrier (A) Assy	29	145-2697	1	Plug Assy
9	145-2677	1	Seal Lip	30	145-2698	1	Plug Assy
10	145-2678	1	O-Ring	31	145-2699	1	Plug Assy
11	145-2679	1	Ring-Retaining	32	145-2700	1	Plug Assy
12	145-2680	1	Journal Carrier (B) Assy	33	145-2701	1	Plug Assy
13	145-2681	1	O-Ring	34	145-2702	1	Plug Assy
14	145-2682	1	Ring-Retaining	35	145-2703	1	Plug Assy
15	145-2683	1	Shaft-Pump	36	145-2704	3	O-Ring
16	145-2684	1	Bearing-Ball	37	145-2705	1	O-Ring
17	145-2685	1	Ring-Retaining	38	145-2706	1	Adapter
18	145-2686	1	Ring-Retaining	39	145-2707	1	Plug Assy
19	145-2687	1	Seal-Lip	40	145-2708	1	Plug Assy
20	145-2688	1	Ring-Retaining	41	145-2709	1	Ring-Retaining
21	145-2689	1	Needle Bearing	42	145-2710	1	Coupling Assy



*= part included in overhaul seal kit 1

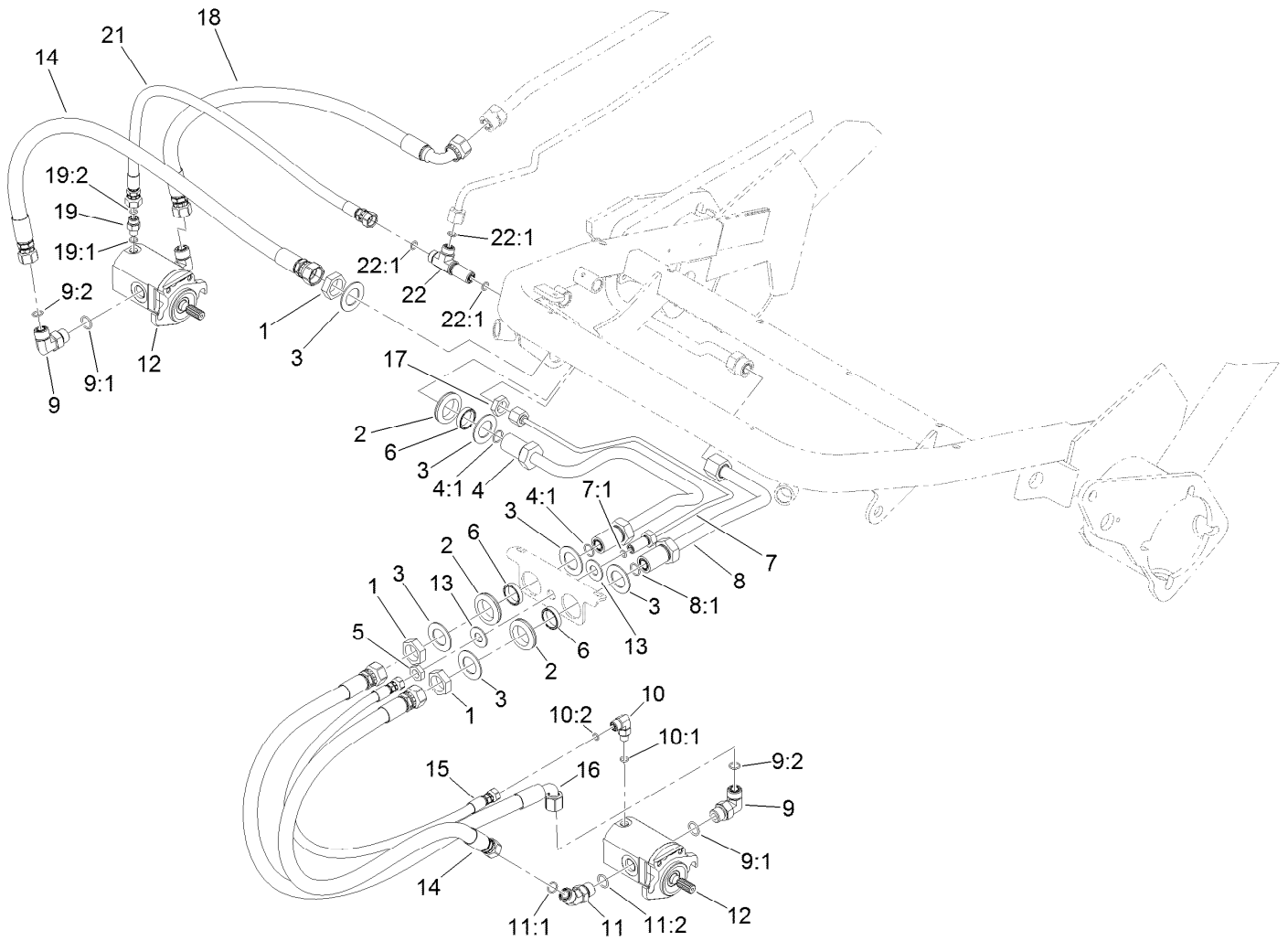
Hydraulic Pump Assembly No. 139-6474 (continued)

Ref.	Part Number	Qty.	Description	Ref.	Part Number	Qty.	Description
43	145-2711	2	Pin-Straight	54	145-2722	1	Spring-Compression
44	145-2712	4	Screw-Soc	55	145-2723	1	Valve Assy-Scr
45	145-2713	1	O-Ring	56	145-2724	1	Spring-Compression
46	145-2714	1	Flange Cover	57	145-2725	1	Valve Assy-Scr
47	145-2715	2	Screw-Soc	58	145-2726	1	Housing A-Pad Ddc20
48	145-2716	1	Cone Relief Valve	59	145-2727	1	Plug Assy-Soc
49	145-2717	1	Spring	60	145-2728	1	Plug Assy-Soc
50	145-2718	1	Valve Assy-ByPass	61	145-2729	1	Plug Assy-Soc
51	145-2719	1	O-Ring	62	145-2730	2	O-Ring
52	145-2720	1	Ring-Back Up	63	145-2731	1	O-Ring
53	145-2721	1	O-Ring				



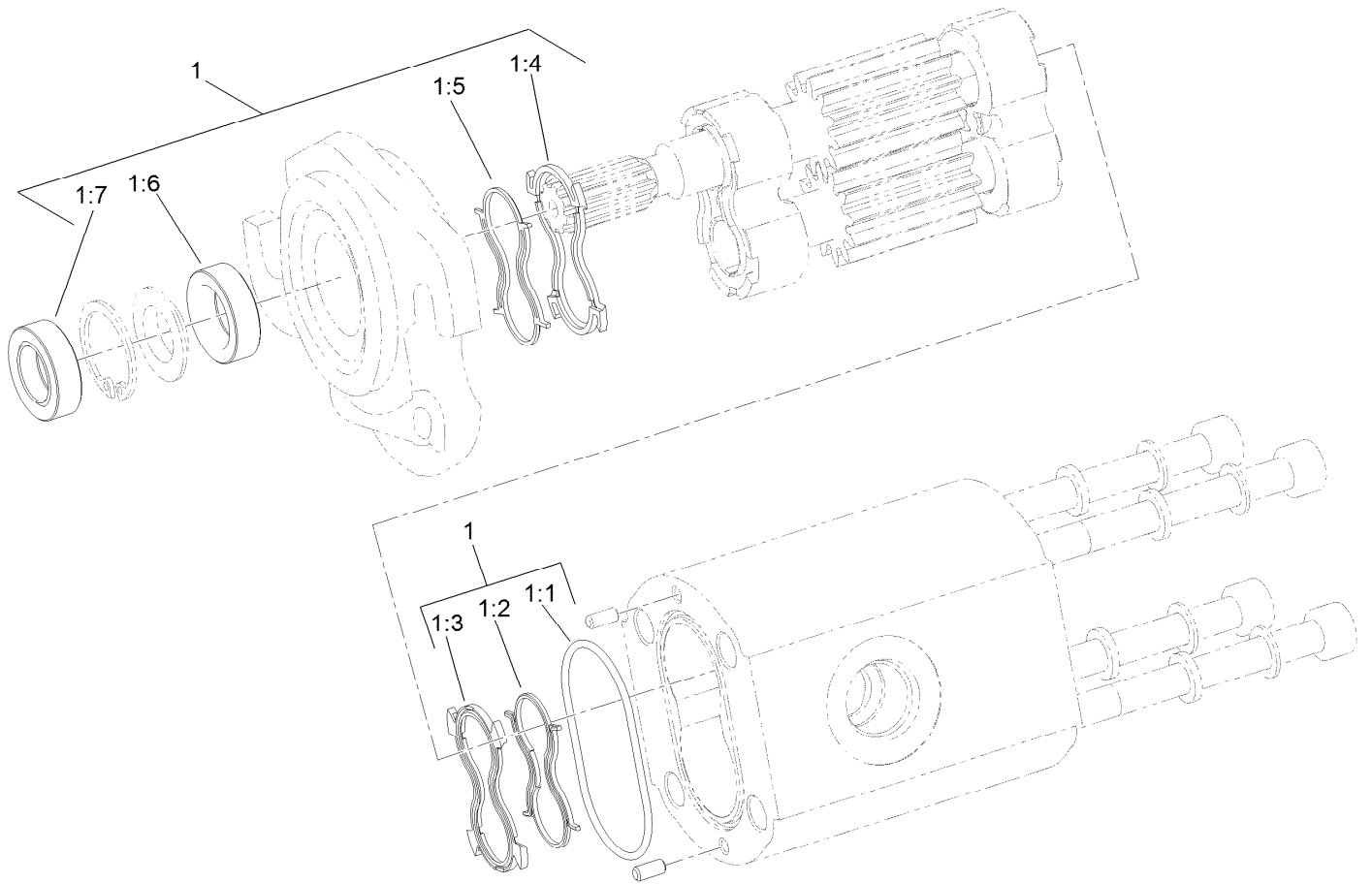
Neutral System Assembly

<i>Ref.</i>	<i>Part Number</i>	<i>Qty.</i>	<i>Description</i>	<i>Ref.</i>	<i>Part Number</i>	<i>Qty.</i>	<i>Description</i>
1	119-1066	1	Screw-HF	18	63-9750	3	Mount
2	104-8301	2	Nut-HF, NI	19	140-5231	1	Cam-Neutral
4	2411-41	1	Rod End-Ball Joint	22	251-259	1	Bearing-Ball
5	120-2779	1	Screw-HH	23	117-9046	1	Stud-Eccentric
6	3296-59	3	Nut-Lock, NI	24	119-8199	1	Washer-Nylon
7	93-8806	3	Washer-Hardened	26	323-29	3	Screw-HH
9	140-5221	1	Lever-Hydro	27	33114-020	2	Screw-HH
10	108473	1	Washer-Wave	29	140-5211-03	1	Bracket-Cable, Hydro [black]
12	322-6	1	Screw-HH	30	117-9053	1	Neutral Arm ASM
13	140-6248	1	Damper	30:2	94-9609	2	Bushing-Straight
14	94-8196	2	Washer-Nylon	31	117-9047	1	Spring-Torsion
15	94-8197	1	Tube-Pivot	32	136-8418	1	Bushing
16	104-8300	2	Nut-HF, NI				
17	104-7201	1	Nut-HF, NI				



Front Hydraulic Reel Drive and Hose Assembly

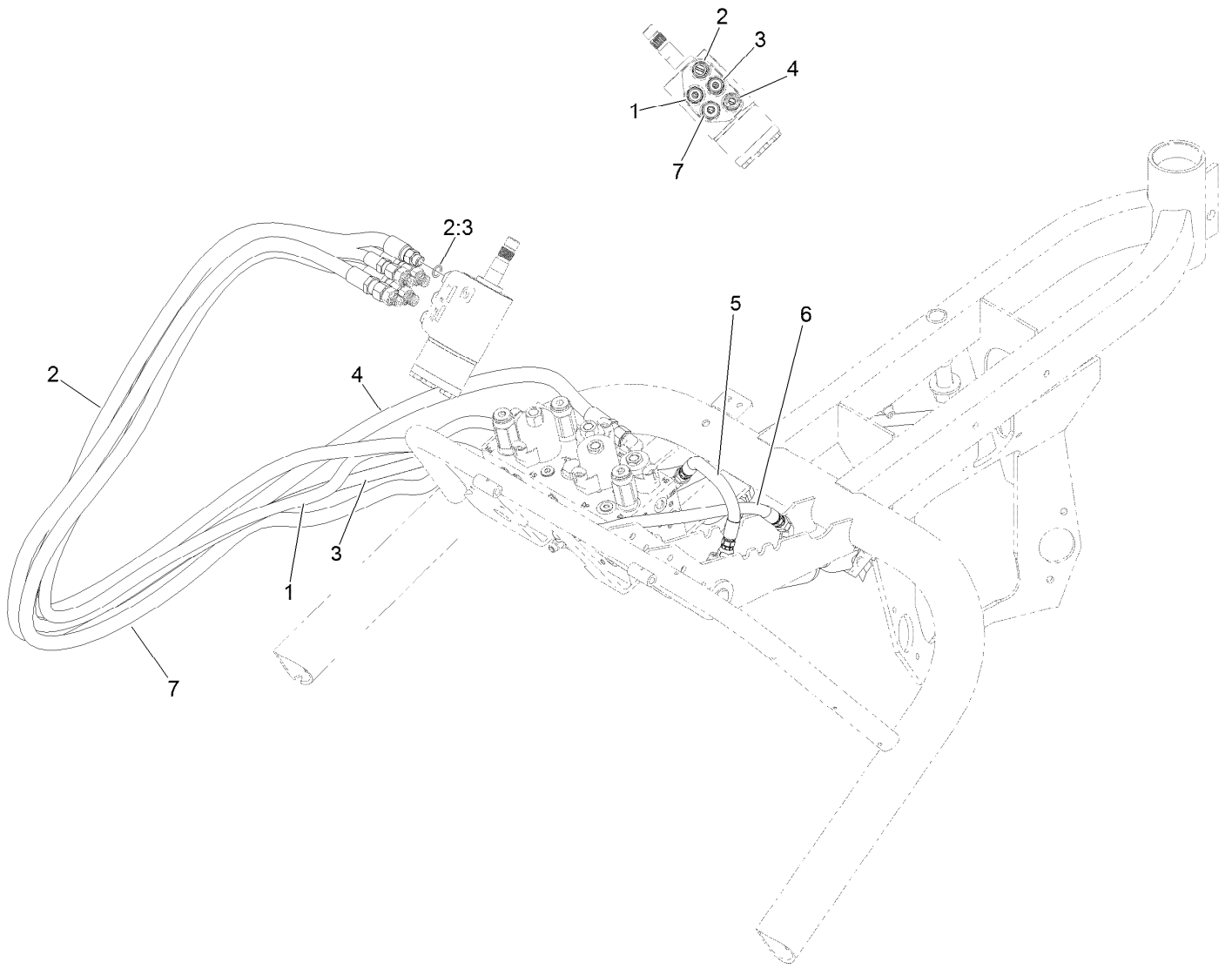
Ref.	Part Number	Qty.	Description	Ref.	Part Number	Qty.	Description
1	340-74	3	Nut-Lock, Bulkhead	11	340-101	1	Fitting-HYD, 45 DEG
2	240-3	3	Grommet-Rubber	11:1	237-30	1	O-Ring
3	69-9010	6	Washer	11:2	237-79	1	O-Ring
4	107-2580	1	Tube-HYD	12	120-2072	2	HYD Motor ASM
4:1	237-65	2	O-Ring	13	69-8980	2	Washer
5	340-78	1	Nut-Lock	14	139-6529	2	Hose ASM
6	125-1984	3	Spacer	15	106-9674	1	Hose-HYD
7	127-2227	1	Tube-HYD	16	139-6530	1	Hose ASM
7:1	237-21	1	O-Ring	17	340-70	1	Nut-Lock
8	107-2581	1	Tube-HYD	18	139-6532	1	Hose ASM
8:1	237-65	1	O-Ring	19	340-92	1	Fitting-Straight
9	340-98	3	Fitting-Elbow, 90 DEG	19:1	237-78	1	O-Ring
9:1	237-79	1	O-Ring	19:2	237-21	1	O-Ring
9:2	237-30	1	O-Ring	21	105-5405	1	Hose-HYD
10	340-132	1	Fitting-Elbow, 90 DEG	22	340-68	1	Fitting-Tee, Bulkhead
10:1	237-78	1	O-Ring	22:1	237-22	3	O-Ring
10:2	237-21	1	O-Ring				



Hydraulic Reel Motor Assembly No. 120-2072

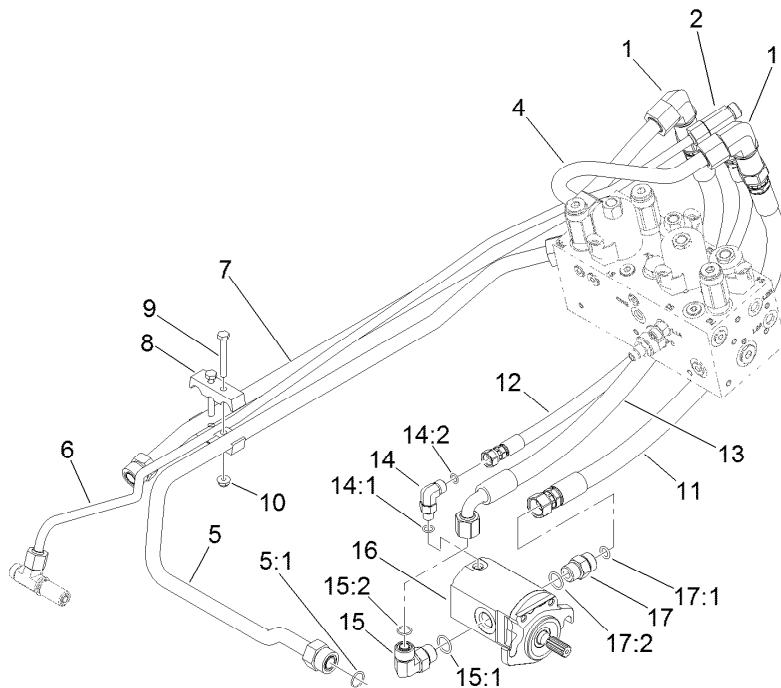
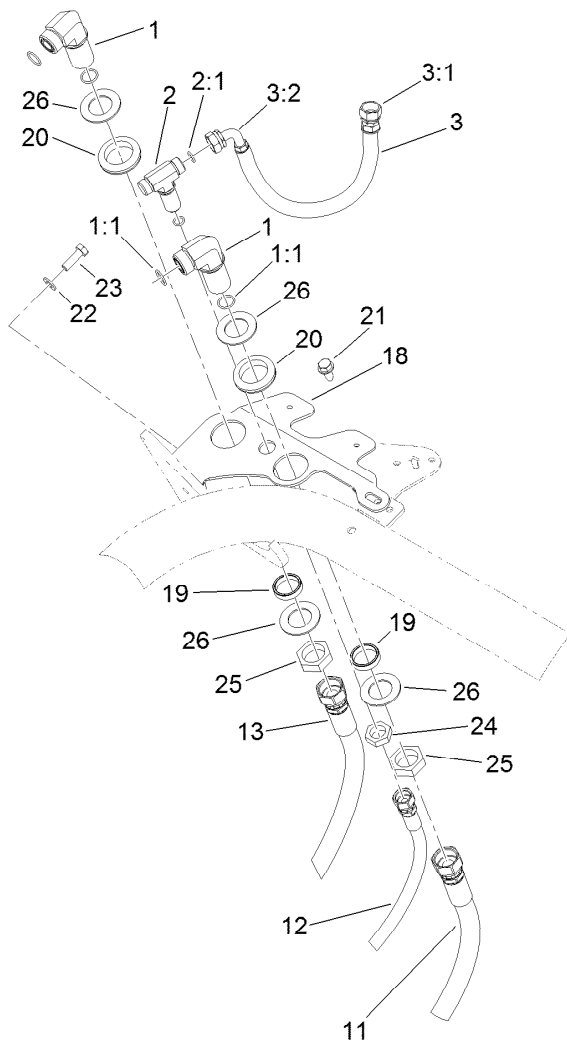
<i>Ref.</i>	<i>Part Number</i>	<i>Qty.</i>	<i>Description</i>
1	119-7113	1	Seal Kit
1:1		1	O-Ring Housing ●
1:2		1	Seal-Anti Extrusion ●
1:3		1	Seal-Plate, Balancing ●
1:4		1	Seal-Plate, Balancing ●
1:5		1	Seal-Anti Extrusion ●
1:6		1	Seal-Shaft (Inboard) ●
1:7		1	Seal-Shaft (Outboard) ●

● Not serviced separately



Hydraulic Steering Hose and Center Lift Cylinder Hose Assembly

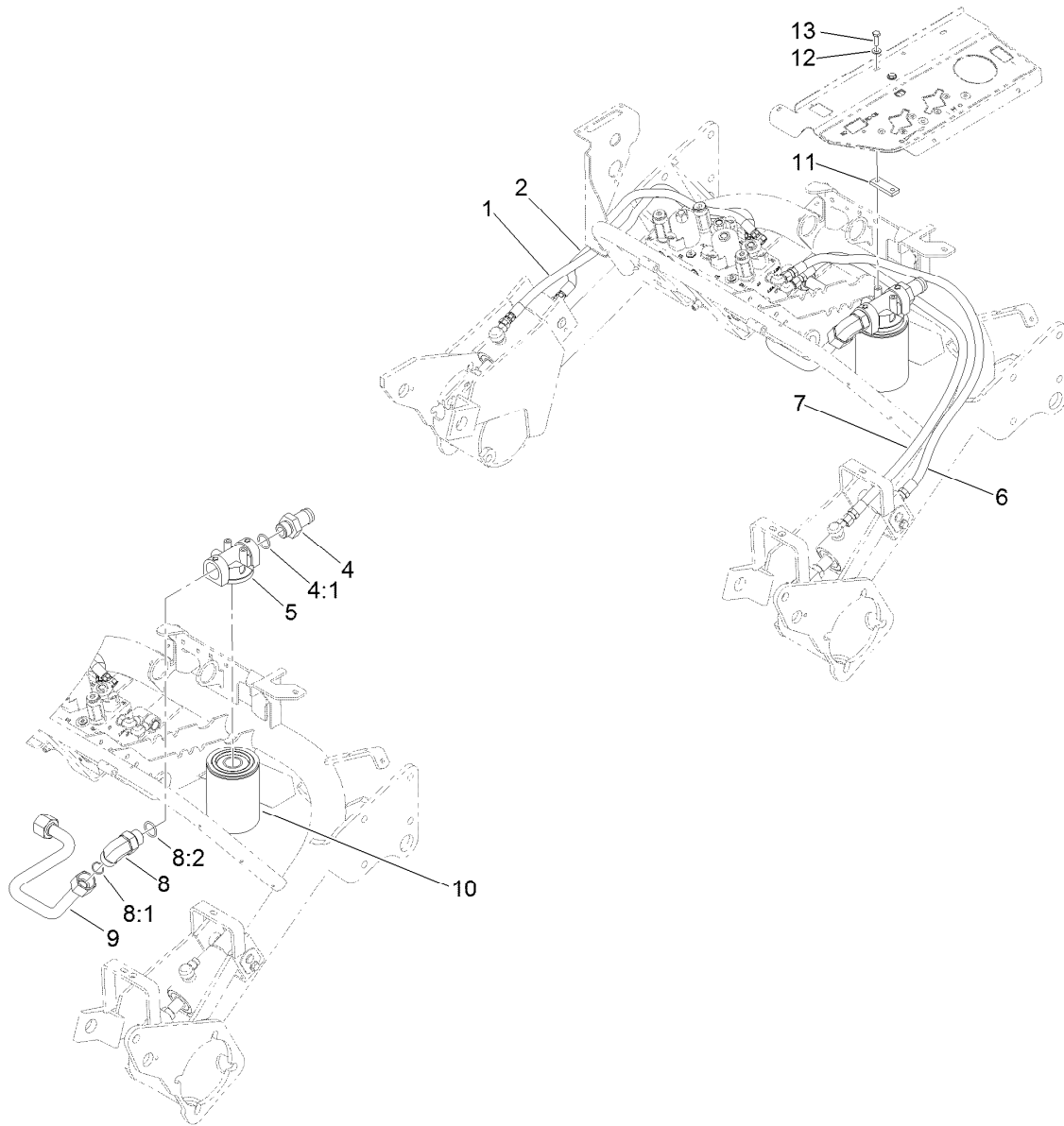
<i>Ref.</i>	<i>Part Number</i>	<i>Qty.</i>	<i>Description</i>
1	100-4892	1	Hose-HYD
2	131-2043	1	Hose-HYD
2:3	237-42	1	O-Ring
3	105-4337	1	Hose-HYD
4	105-4339	1	Hose-HYD
5	131-2040	1	Hose-HYD
6	130-6545	1	Hose-HYD
7	131-2044	1	Hose-HYD



Rear Hydraulic Reel Drive and Hose Assembly

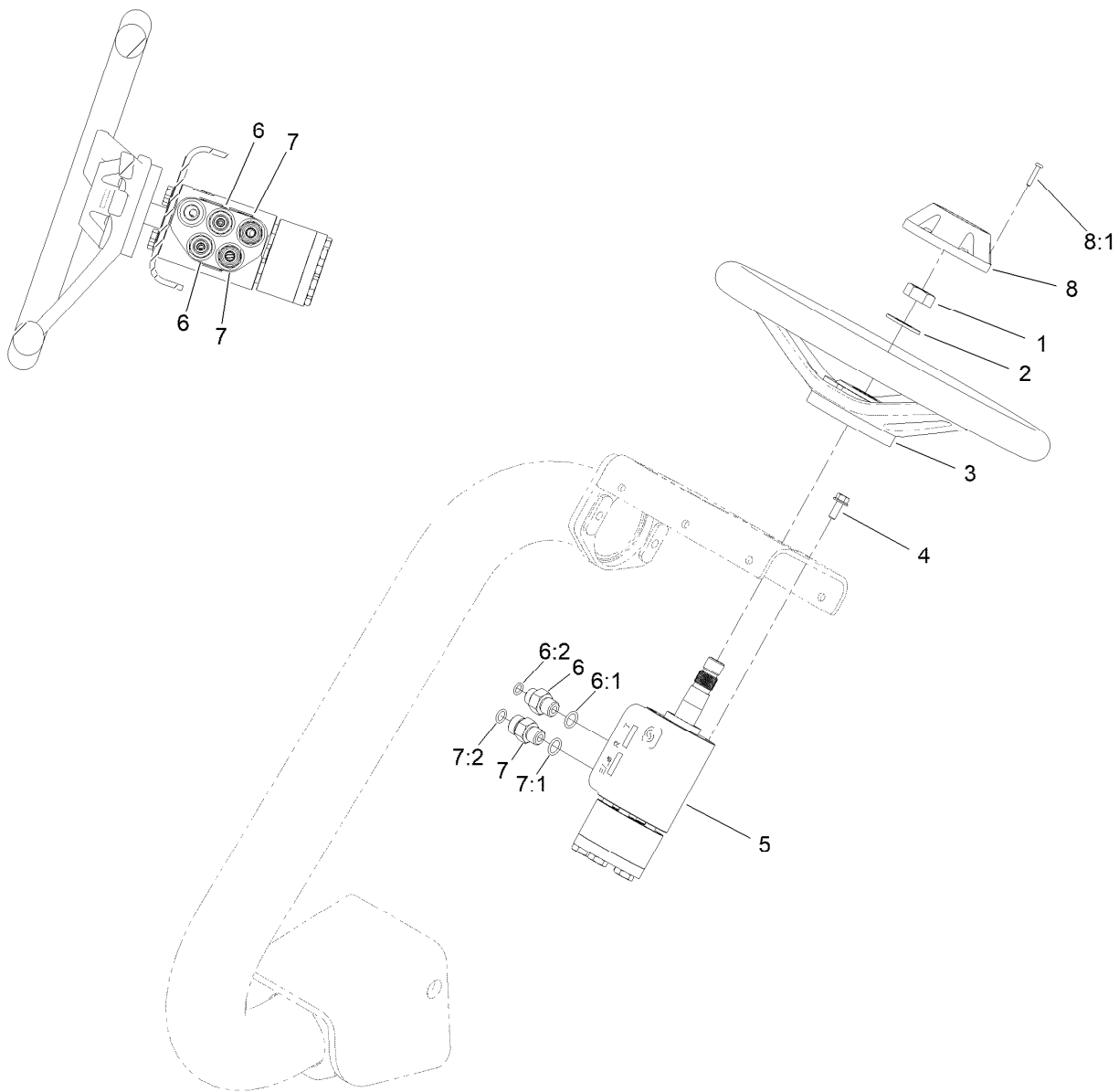
Ref.	Part Number	Qty.	Description
1	340-72	2	Fitting-Bulkhead, 90 DEG
1:1	237-65	2	O-Ring
2	105-8281	1	Tee-Bulkhead
2:1	237-22	3	O-Ring
3	105-5409	1	Hose ASM
3:1	105-8311	1	Fitting-HYD
3:2	105-8312	1	Fitting-HYD, 90 DEG
4	105-5482	1	Tube-HYD
5	107-2582	1	Tube-HYD
5:1	237-65	1	O-Ring
6	132-9530	1	Tube-HYD
7	105-5493	1	Tube-HYD
8	93-2509	2	Clamp-Tube
9	321-11	2	Screw-HH
10	104-7201	2	Nut-HF, NI
11	139-6533	1	Hose ASM
12	105-5402	1	Hose-HYD
13	139-6531	1	Hose ASM
14	340-132	1	Fitting-Elbow, 90 DEG

Ref.	Part Number	Qty.	Description
14:1	237-78	1	O-Ring
14:2	237-21	1	O-Ring
15	340-98	1	Fitting-Elbow, 90 DEG
15:1	237-79	1	O-Ring
15:2	237-30	1	O-Ring
16	120-2072	1	HYD Motor ASM
17	340-4	1	Fitting-Straight
17:1	237-30	1	O-Ring
17:2	237-79	1	O-Ring
18	105-8253-01	1	Bracket-Bulkhead
19	125-1984	2	Spacer
20	240-3	2	Grommet-Rubber
21	32104-32	1	Screw-HWH
22	3256-23	1	Washer-Plain
23	322-5	1	Screw-HH
24	340-70	1	Nut-Lock
25	340-74	2	Nut-Lock, Bulkhead
26	69-9010	4	Washer



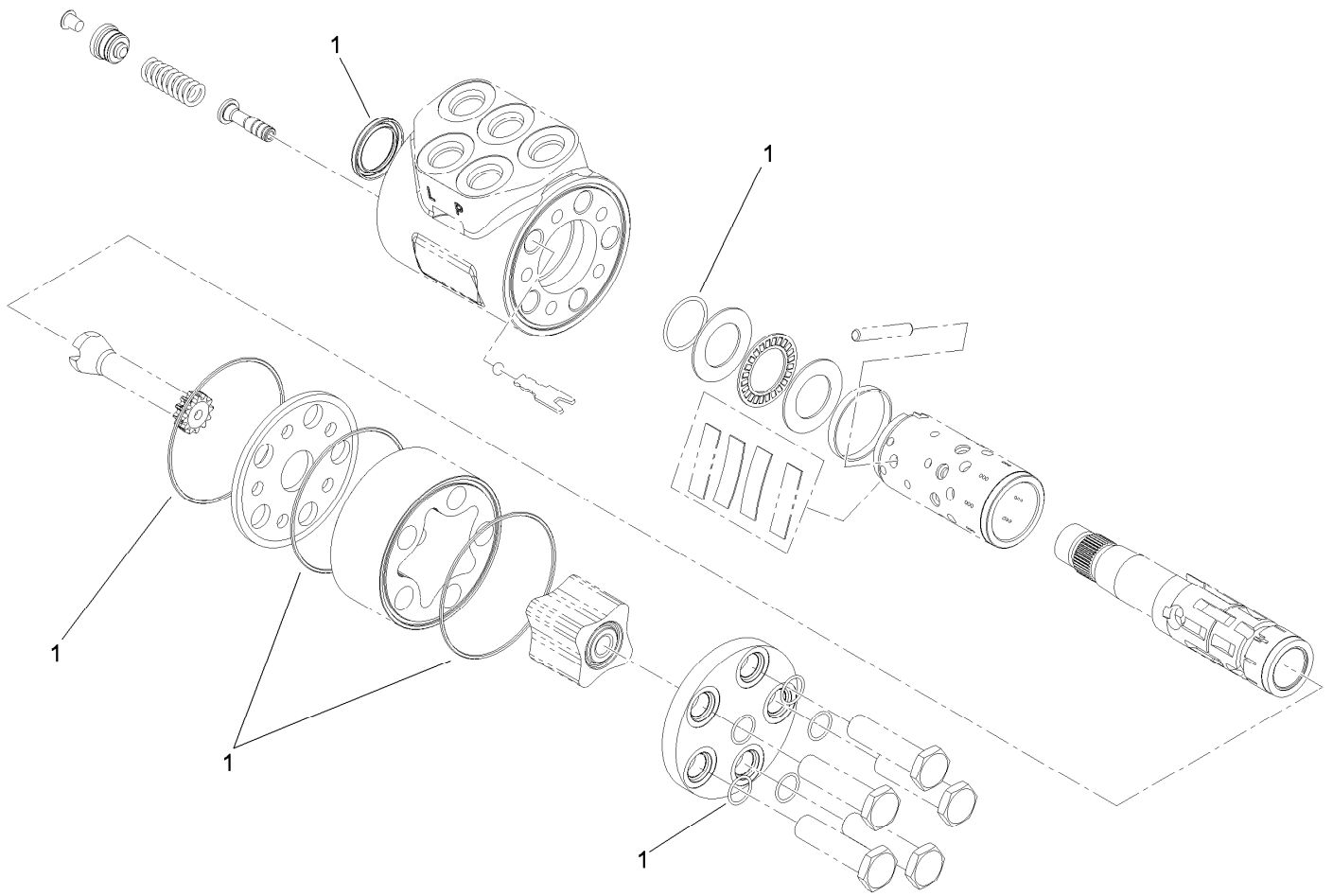
Front Lift Cylinders Hose and Filter Assembly

Ref.	Part Number	Qty.	Description
1	108-6506	1	Hose-HYD
2	108-6505	1	Hose-HYD
4	99-3017	1	Fitting
4:1	237-81	1	O-Ring
5	92-5821	1	Head-Filter
6	130-6547	1	Hose-HYD
7	130-6546	1	Hose-HYD
8	340-142	1	Fitting-Elbow, 90 DEG
8:1	237-58	1	O-Ring
8:2	237-81	1	O-Ring
9	105-5460	1	Tube-HYD
10	107-9531	1	Filter-Oil, HYD
11	105-4309	1	Plate-Filter
12	3256-22	2	Washer-Flat
13	321-5	2	Screw-HH



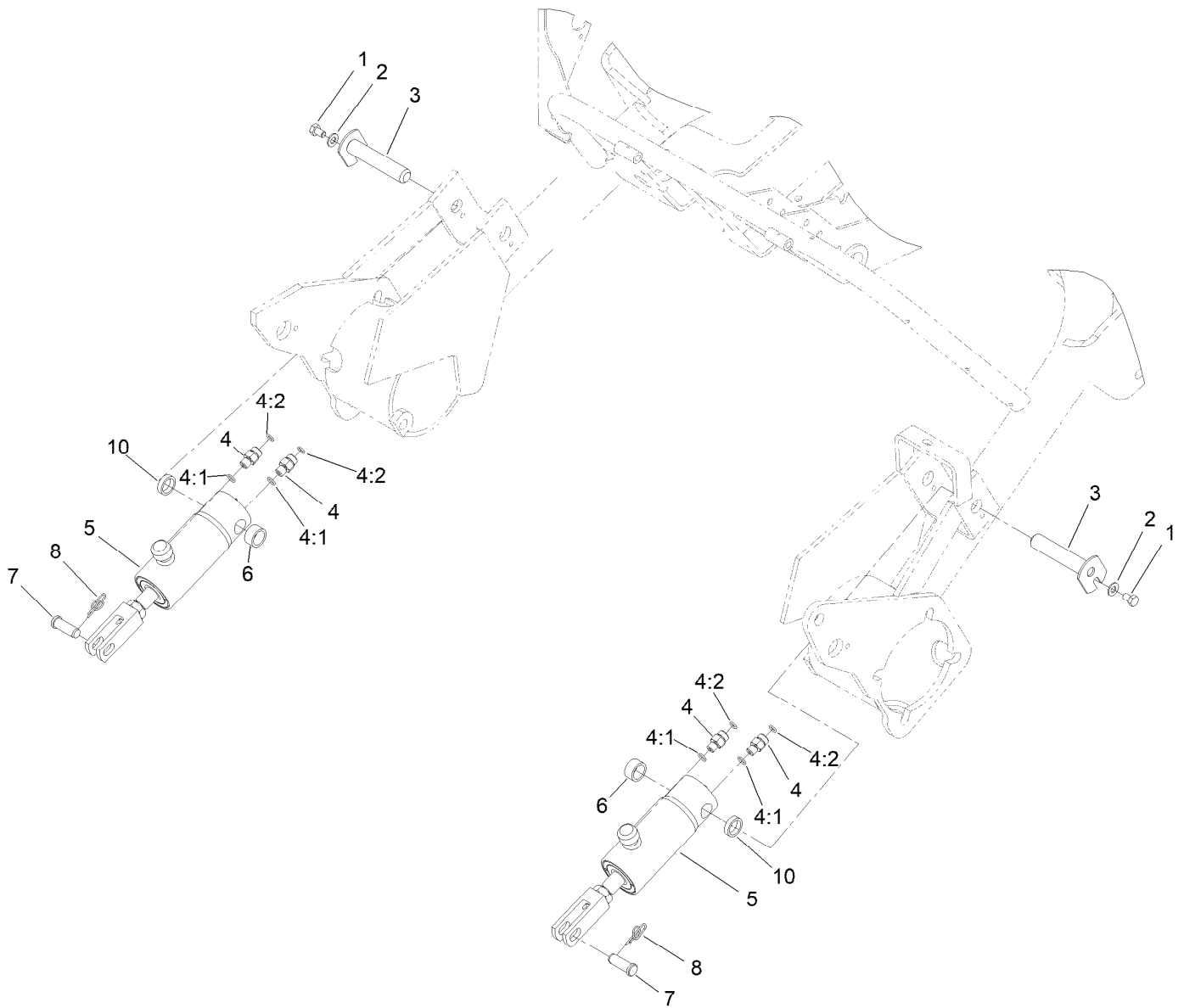
Steering Wheel and Valve Assembly

Ref.	Part Number	Qty.	Description
1	3296-33	1	Nut-Lock, NI
2	3256-27	1	Washer-Flat
3	145-0051	1	Steering Wheel
4	33103-016	4	Screw-HHF
5	114-4672	1	Steering Valve ASM
6	340-1	2	Fitting-Straight
6:1	237-21	1	O-Ring
6:2	237-42	1	O-Ring
7	340-2	2	Fitting-Straight
7:1	237-22	1	O-Ring
7:2	237-42	1	O-Ring
8	68-5140	1	Cap-Wheel, Steering
8:1	32144-21	1	Screw



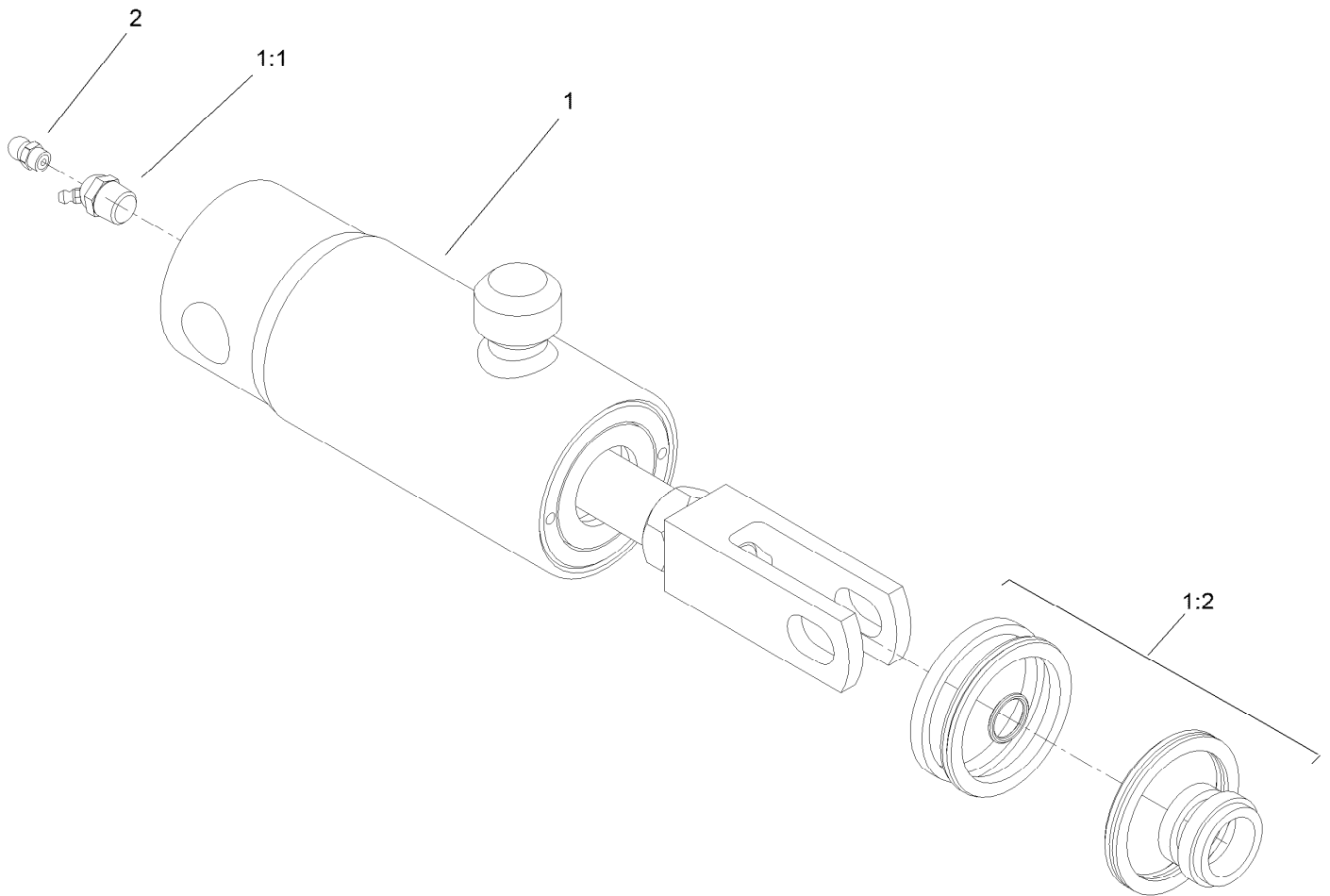
Steering Valve Assembly No. 114-4672

<i>Ref.</i>	<i>Part Number</i>	<i>Qty.</i>	<i>Description</i>
1	106-6716	1	Seal Kit



Right Hand and Left Hand Lift Cylinder Assembly

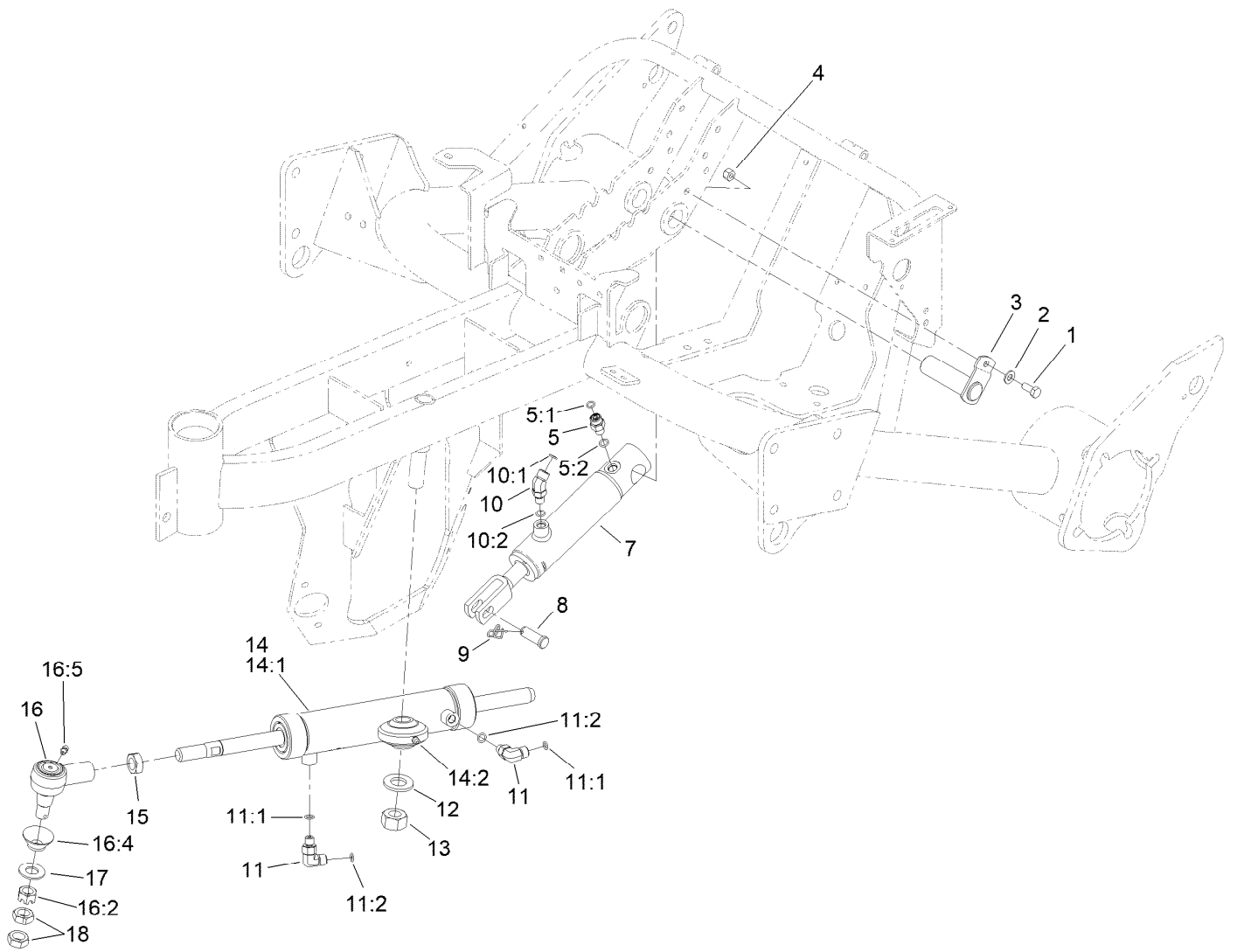
Ref.	Part Number	Qty.	Description
1	322-1	2	Screw-HH
2	3256-23	2	Washer-Plain
3	140-5248	2	Pin-Ram, Pivot
4	340-92	4	Fitting-Straight
4:1	237-78	1	O-Ring
4:2	237-21	1	O-Ring
5	145-4593	2	HYD Cylinder Service Kit
6	74-3730	2	Spacer-Spindle, Rear
7	283-8	2	Pin-Clevis
8	112-1491	2	Pin-Cotter
10	105-3828	2	Spacer



Hydraulic Cylinder Service Kit Assembly No. 145-4593

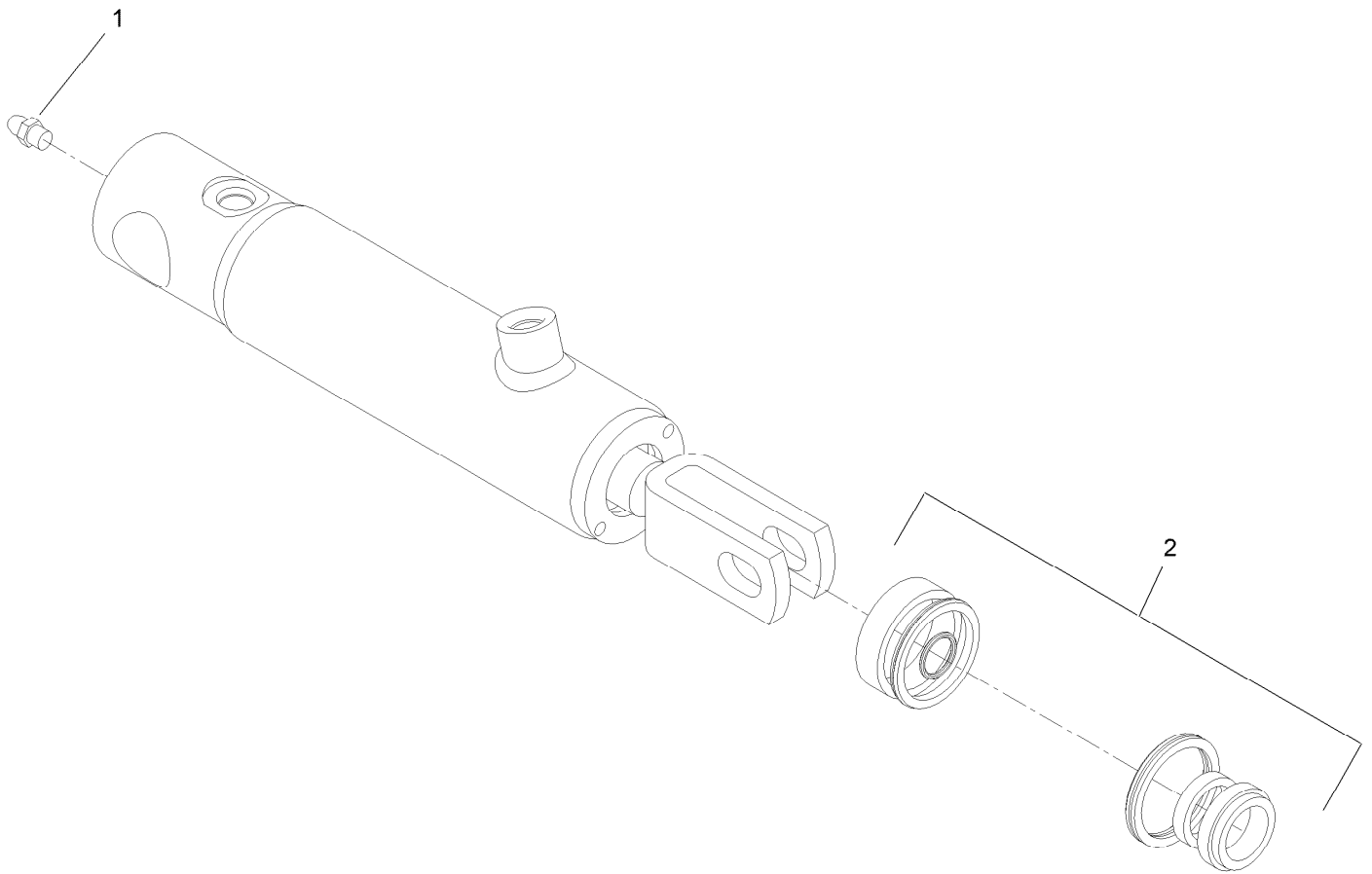
<i>Ref.</i>	<i>Part Number</i>	<i>Qty.</i>	<i>Description</i>
1		1	HYD Cylinder ASM ●
1:1	302-61	1	Fitting-Grease
1:2	132-9515	1	Seal Kit
2	302-58	1	Fitting-Straight

● Not serviced separately



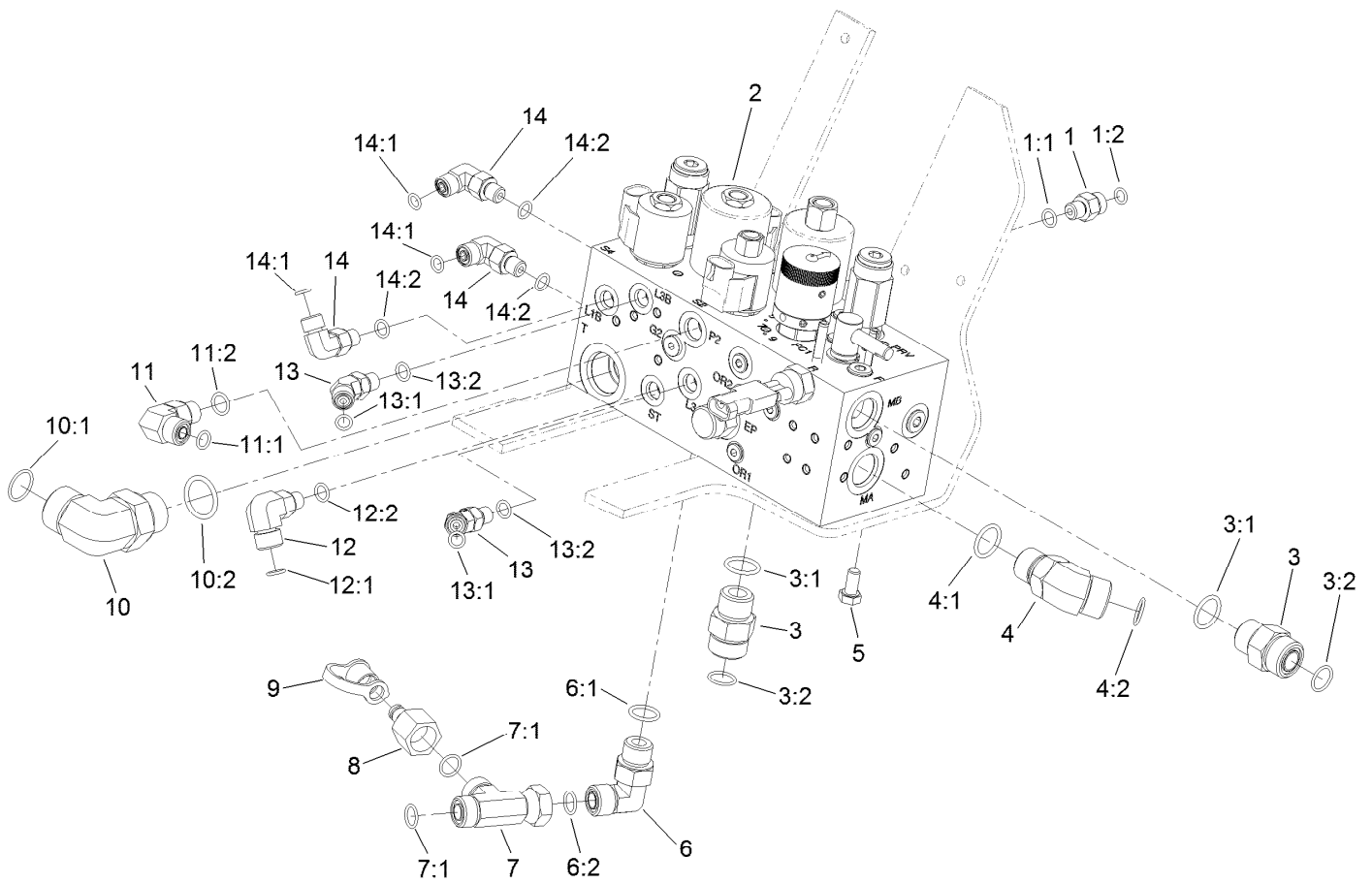
Steering Cylinder and Center Lift Cylinder Assembly

Ref.	Part Number	Qty.	Description	Ref.	Part Number	Qty.	Description
1	322-3	1	Screw-HH	11:1	237-78	1	O-Ring
2	3256-23	1	Washer-Plain	11:2	237-21	1	O-Ring
3	131-4307	1	Pin	12	3256-28	1	Washer-Flat
4	3296-29	1	Nut-Lock, NI	13	3217-12	1	Nut-Hex
5	340-92	1	Fitting-Straight	14	132-3777	1	Steering Cylinder ASM
5:1	237-78	1	O-Ring	14:1	132-6964	1	Seal Kit
5:2	237-21	1	O-Ring	14:2	302-5	1	Fitting-Grease
7	145-4569	1	HYD Cylinder ASM	15	84-5300	1	Nut-Jam
8	283-8	1	Pin-Clevis	16	107-2553	1	Rod End ASM
9	112-1491	1	Pin-Cotter	16:2	32136-2	1	Nut-SHH
10	340-103	1	Fitting-HYD, 45 DEG	16:4	106-6896	1	Seal
10:1	237-78	1	O-Ring	16:5	302-5	1	Fitting-Grease
10:2	237-21	1	O-Ring	17	3256-27	1	Washer-Flat
11	340-132	2	Fitting-Elbow, 90 DEG	18	3220-6	2	Nut-Jam



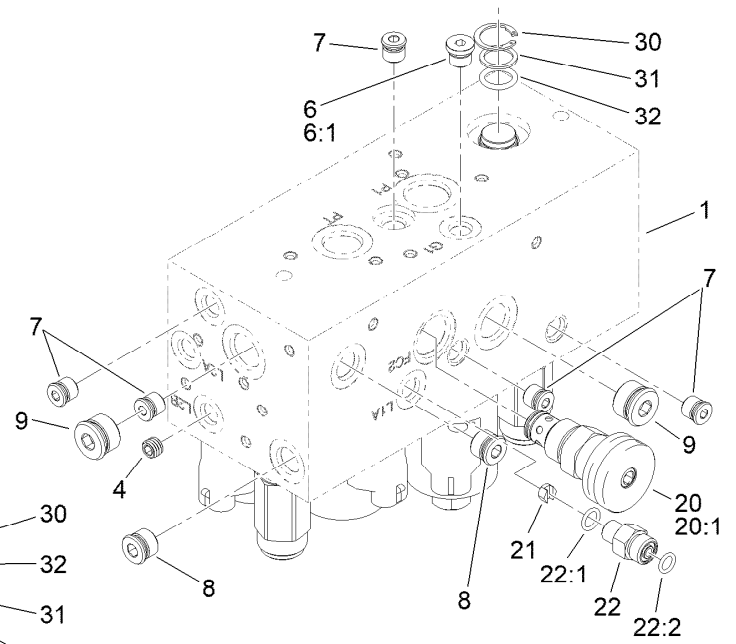
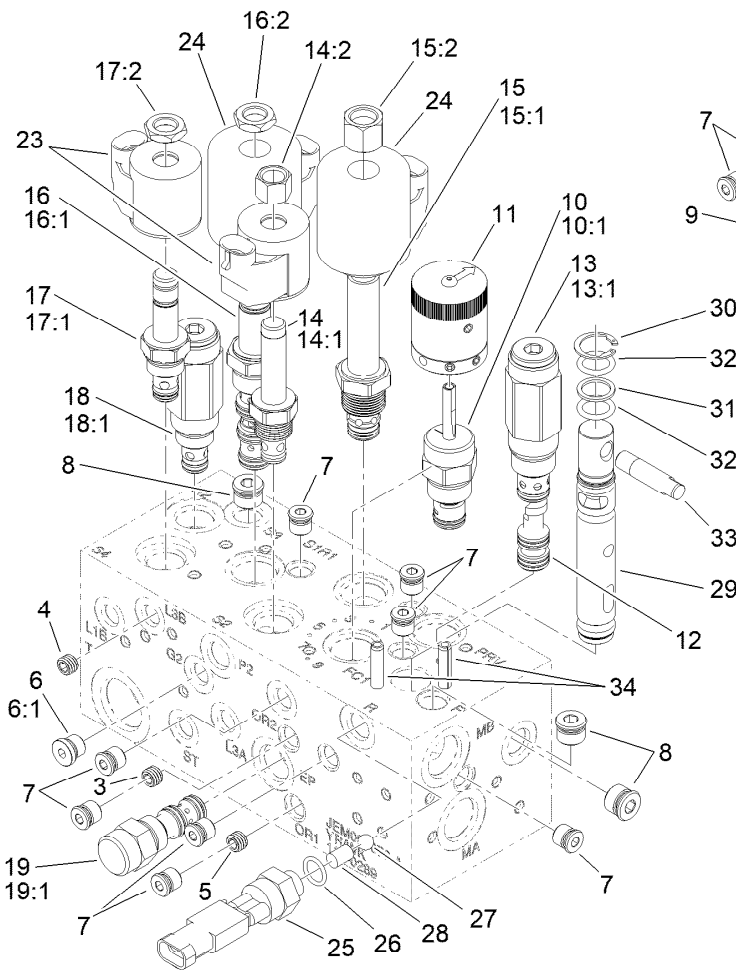
Hydraulic Cylinder Assembly No. 145-4569

<i>Ref.</i>	<i>Part Number</i>	<i>Qty.</i>	<i>Description</i>
1	302-58	1	Fitting-Straight
2	132-9516	1	Seal Kit



Hydraulic Manifold Assembly

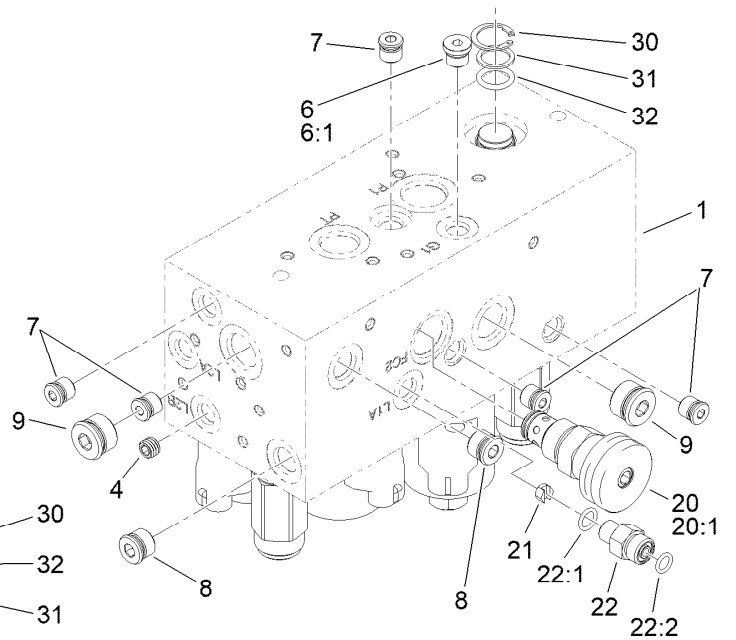
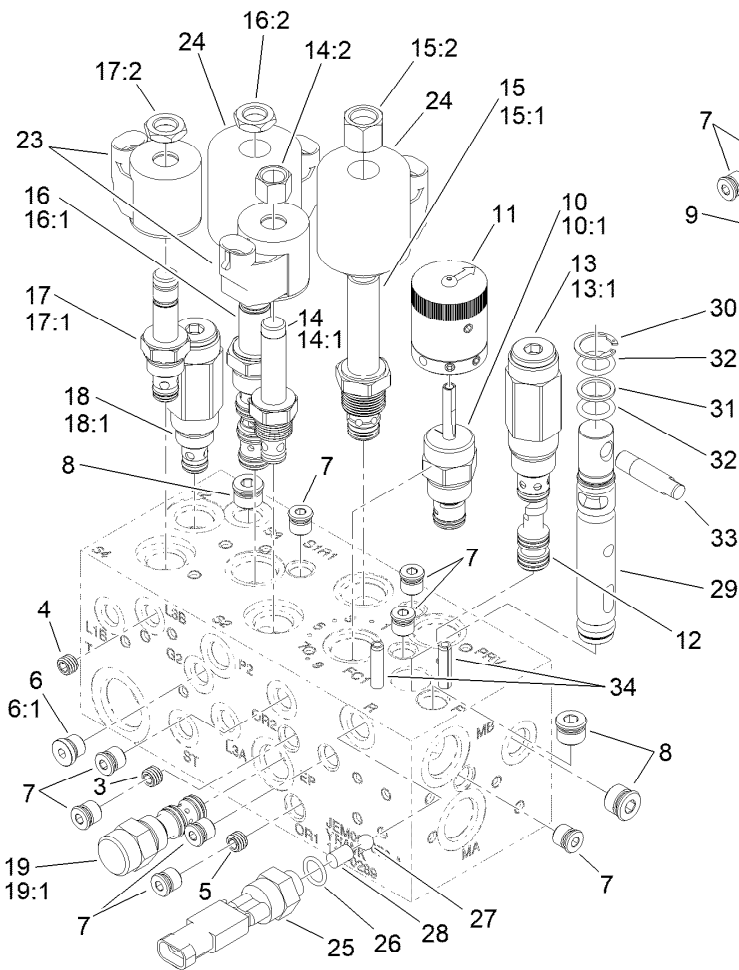
Ref.	Part Number	Qty.	Description	Ref.	Part Number	Qty.	Description
1	340-92	1	Fitting-Straight	9	354-79	1	Cap-Dust
1:1	237-78	1	O-Ring	10	340-142	1	Fitting-Elbow, 90 DEG
1:2	237-21	1	O-Ring	10:1	237-58	1	O-Ring
2	147-3078	1	Block-Manifold [gr3150]	10:2	237-81	1	O-Ring
3	340-7	2	Fitting-Straight	11	340-77	1	Fitting-Elbow, 90 DEG
3:1	237-65	1	O-Ring	11:1	237-22	1	O-Ring
3:2	237-80	1	O-Ring	11:2	237-42	1	O-Ring
4	340-14	1	Fitting-HYD, 45 DEG	12	340-97	1	Fitting-Elbow, 90 DEG
4:1	237-65	1	O-Ring	12:1	237-22	1	O-Ring
4:2	237-80	1	O-Ring	12:2	237-78	1	O-Ring
5	33114-016	2	Screw-HH	13	340-103	2	Fitting-HYD, 45 DEG
6	340-98	1	Fitting-Elbow, 90 DEG	13:1	237-78	1	O-Ring
6:1	237-79	1	O-Ring	13:2	237-21	1	O-Ring
6:2	237-30	1	O-Ring	14	340-132	3	Fitting-Elbow, 90 DEG
7	340-104	1	Fitting-Tee	14:1	237-78	1	O-Ring
7:1	237-30	2	O-Ring	14:2	237-21	1	O-Ring
8	100-5616	1	Fitting				



Hydraulic Manifold Assembly No. 147-3078

Ref.	Part Number	Qty.	Description	Ref.	Part Number	Qty.	Description
1		1	Body-Manifold ●	15	119-4137	1	Valve-Relief, Solenoid
3	112-9202	1	Orifice-Flow, Control (.060)	15:1	110-6316	1	Seal Kit
4	110-8887	2	Plug-Orifice (0.055)	15:2	130-8180	1	Nut-Coil (9/16-24 Unef-2B)
5	112-9203	1	Orifice-Control, Flow (.013)	16	110-8906	1	Valve-Solenoid
6	353-990	2	Plug ASM	16:1	110-8908	1	Spool Valve Seal Kit
6:1	237-78	1	O-Ring	16:2	110-2634	1	Nut-Coil
7	106-1025	13	Plug-HYD	17	112-9206	1	Solenoid Valve ASM
8	106-1026	5	Plug-HYD	17:1	105-9156	1	Seal Kit
9	106-1027	2	Plug	17:2	110-2634	1	Nut-Coil
10	147-3068	1	Valve-Control, Manual Flow	18	133-8873	1	Valve-Relief
10:1	132-6231	1	Seal Kit	18:1	105-9156	1	Seal Kit
11	110-8767	1	Rotary Handle ASM	19	110-8988	1	Element-Logic
12	119-3506	1	Piston-Pilot	19:1	110-8773	1	Seal Kit
13	112-9205	1	Valve-Relief	20	119-4136	1	Control-Flow
13:1	105-9159	1	Seal Kit	20:1	110-2633	1	Seal Kit
14	107-7517	1	Valve-Solenoid	21	114-4682	1	Orifice-Flow Control (.030)
14:1	105-9156	1	Seal Kit	22	340-92	1	Fitting-Straight
14:2	107-7812	1	Nut-Solenoid	22:1	237-78	1	O-Ring

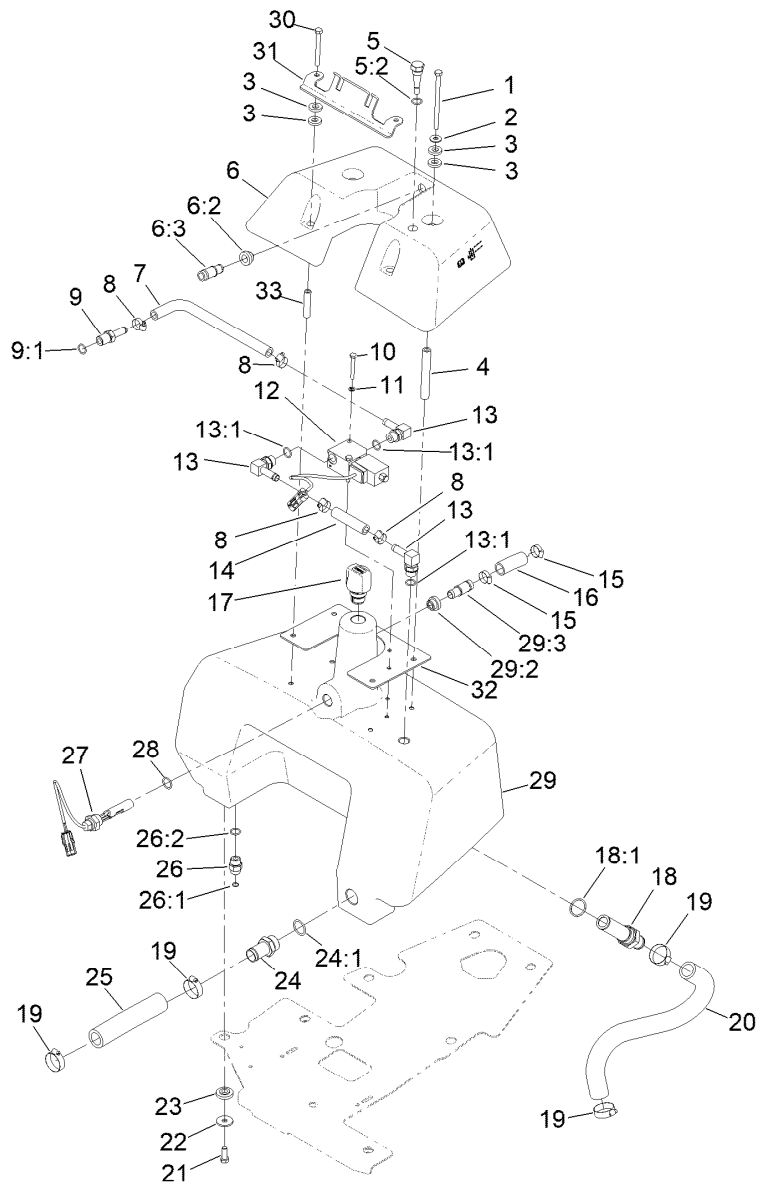
● Not serviced separately



Hydraulic Manifold Assembly No. 147-3078 (continued)

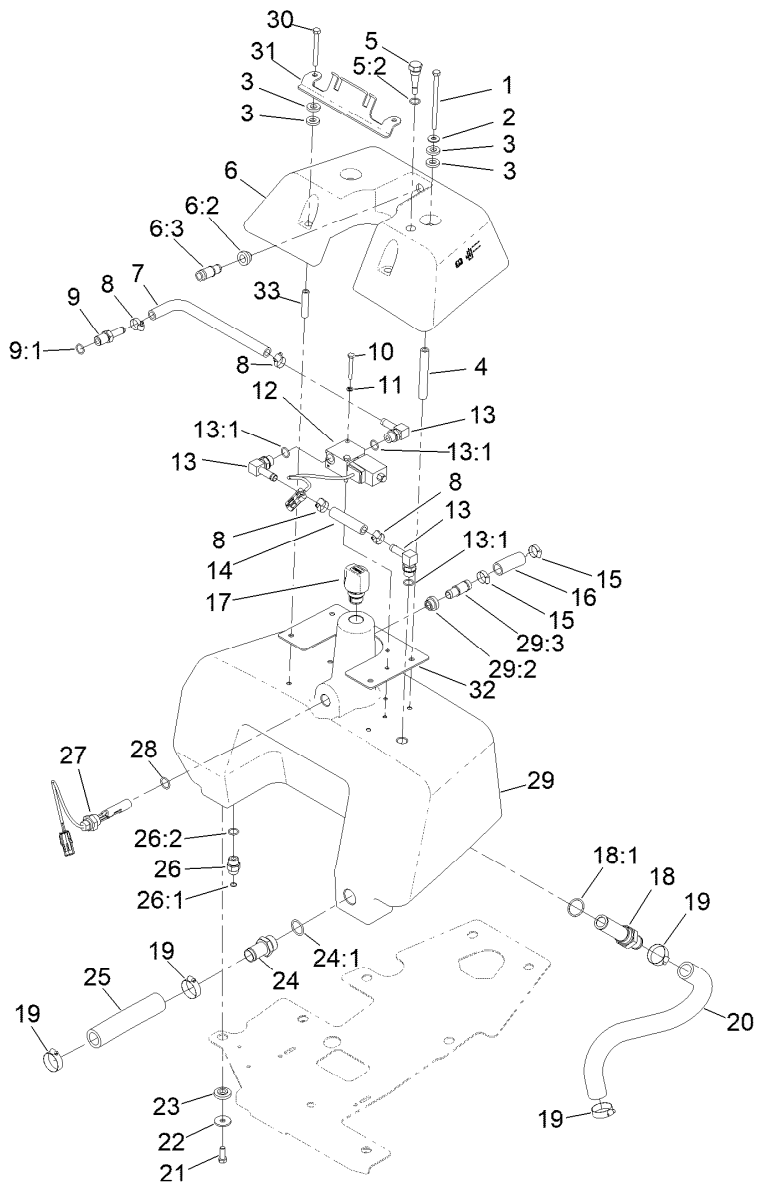
Ref.	Part Number	Qty.	Description	Ref.	Part Number	Qty.	Description
22:2	237-21	1	O-Ring	29	112-6536	1	Spool
23	105-9333	2	Coil-12Vdc	30	112-6532	2	Ring-Retaining
24	110-2630	2	Coil-12Vdc	31	112-6534	2	Ring-Back Up
25	72-4320	1	Switch-Ball	32	117-4606	3	O-Ring
26	110-8757	1	O-Ring	33	110-8758	1	Handle-Spool
27	110-8762	1	Ball-Chrome	34	112-6531	2	Pin-Spring
28	112-6533	1	Pin-Dowel				

● Not serviced separately



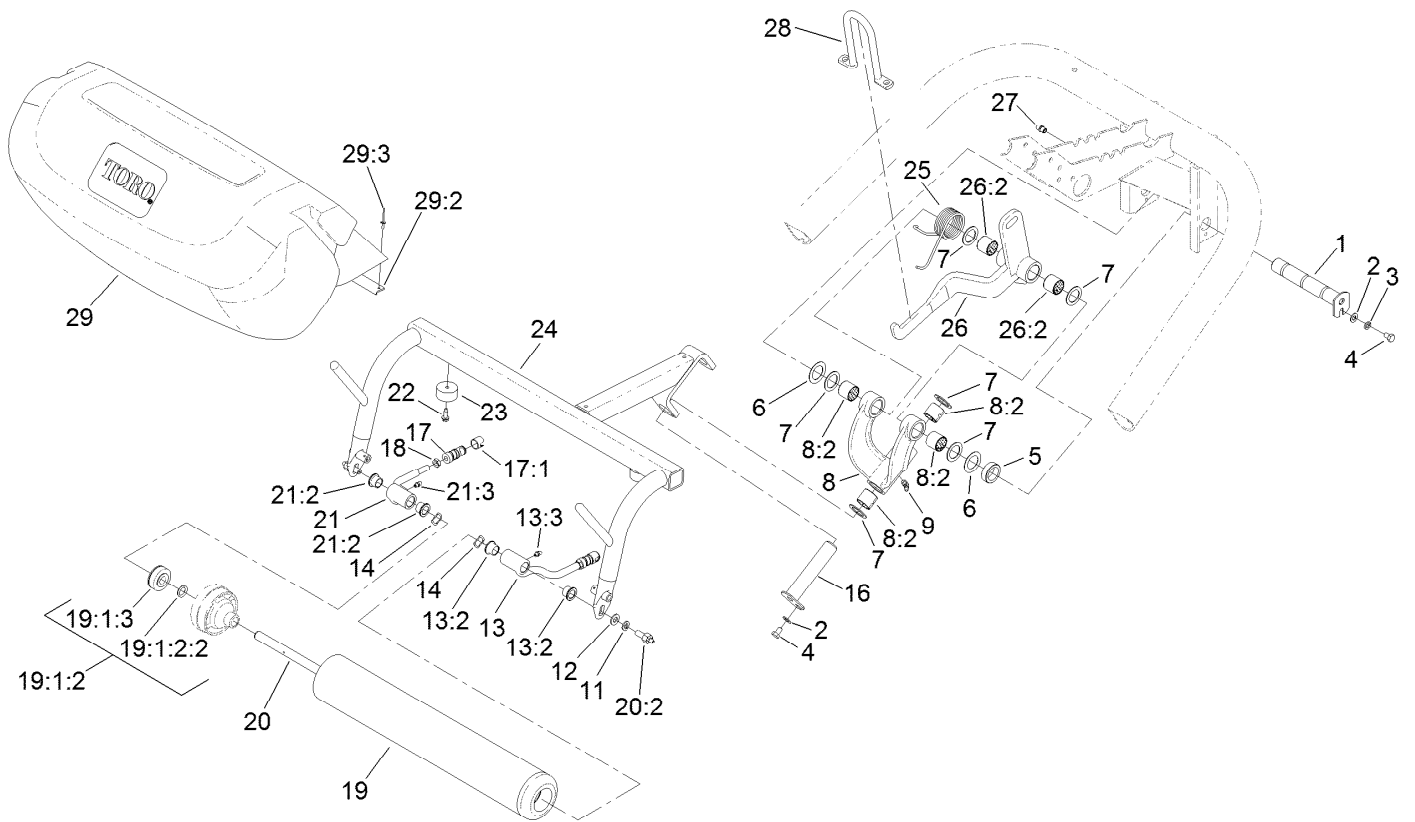
Hydraulic Reservoir and Leak Detector Assembly

Ref.	Part Number	Qty.	Description	Ref.	Part Number	Qty.	Description
1	322-29	2	Screw-HH	17	115-9793	1	Breather
2	3256-71	2	Washer-Flat	18	112-0211	1	Strainer Fitting ASM
3	83-1470	8	Washer-Neoprene	18:1	237-146	1	O-Ring
4	145-4599	2	Spacer-Tube, Long	19	2412-34	4	Clamp-Hose
5	133-2334	1	Dipstick ASM	20	105-8285	1	Hose-Inlet, Pump
5:2	237-79	1	O-Ring	21	323-6	3	Screw-HH
6	136-8528	1	Tank-Detector, Leak	22	63-8410	3	Washer
6:2	136-8531	1	Grommet	23	240-11	3	Bushing-Flange
6:3	136-8532	1	Spout	24	83-0870	1	Fitting-Hose, Barbed
7	140-5278	1	Hose-Formed	24:1	237-177	1	O-Ring
8	2412-36	4	Clamp-Hose	25	105-5410	1	Hose-HYD
9	354-121	1	Fitting-STR	26	340-3	1	Fitting-Straight
9:1	237-79	1	O-Ring	26:1	237-22	1	O-Ring
10	321-11	2	Screw-HH	26:2	237-79	1	O-Ring
11	3253-3	2	Washer-Lock	27	83-1450	1	Sensor-Level, Oil
12	147-3132	1	Solenoid Valve ASM	28	237-80	1	O-Ring
13	354-120	3	Fitting-Elbow, 90	29	136-8526	1	Hydraulic Tank ASM
13:1	237-79	1	O-Ring	29:2	136-8531	1	Grommet
14	83-2080	1	Hose-Valve, Tank	29:3	136-8532	1	Spout
15	2412-141	2	Clamp-Drive, Worm	30	322-14	2	Screw-HH
16	139-2716	1	Hose-Formed	31	121-2564	1	Bracket



Hydraulic Reservoir and Leak Detector Assembly (continued)

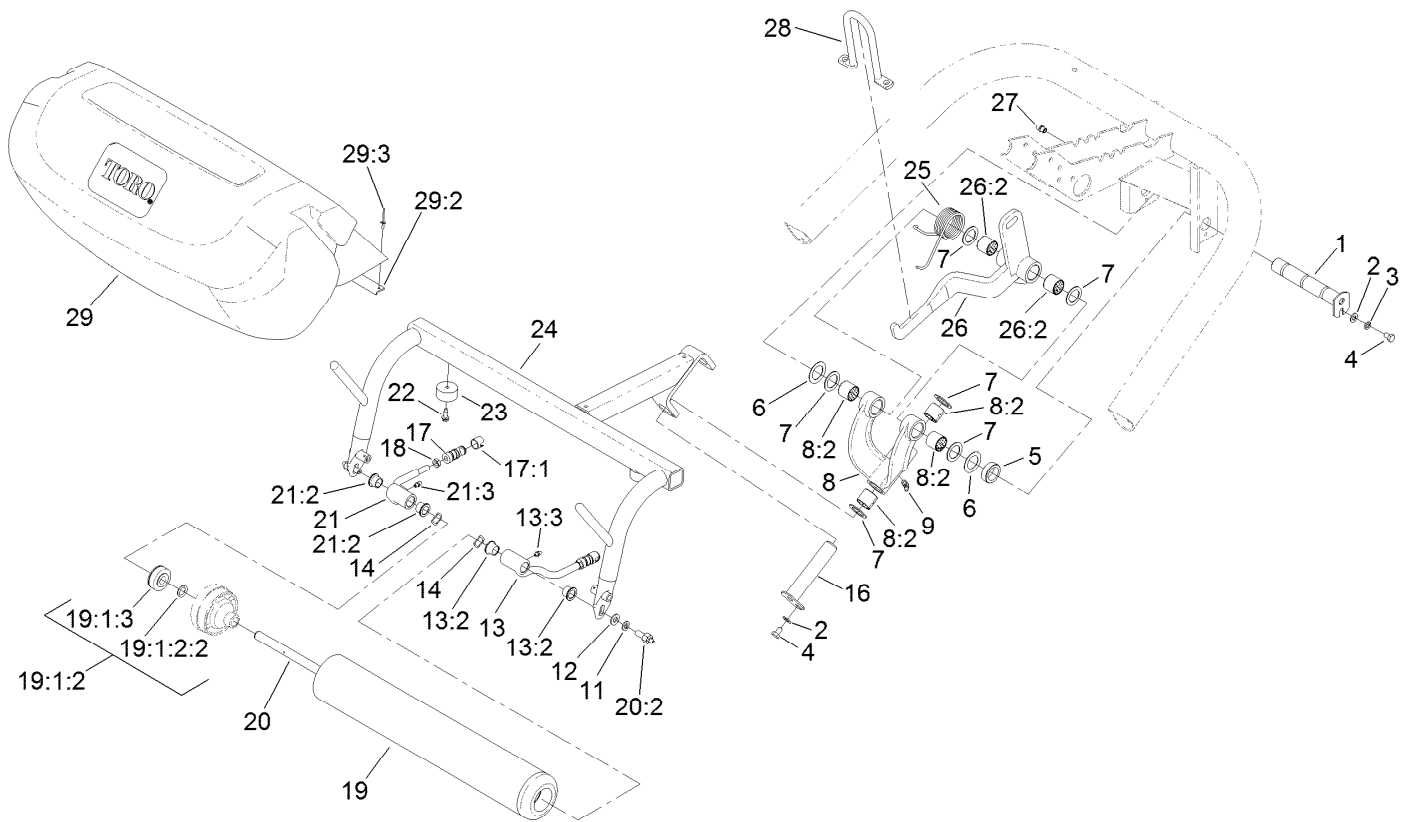
<i>Ref.</i>	<i>Part Number</i>	<i>Qty.</i>	<i>Description</i>
32	145-4594-03	1	Plate-Tank
33	145-4598	2	Spacer-Tube, Short



Center Pull Frame Assembly

Ref.	Part Number	Qty.	Description	Ref.	Part Number	Qty.	Description
1	140-6495	1	Pin-Hinge	17:1	147-3121	1	Sleeve-Joint Ball
2	3256-23	2	Washer-Plain	18	3220-3	2	Nut-HJ
3	3253-4	1	Washer-Lock	19	133-2337	1	Roller ASM
4	322-1	2	Screw-HH	19:1:2		2	Hub Yoke ASM ●
5	93-2384	1	Spacer-Carrier	19:1:2:2	253-83	1	Seal-Oil
6	5-1226	2	Washer	19:1:3	133-2378	2	Bearing
7	10-8110	6	Washer-Thrust	20	136-8471	1	Shaft Kit
8	105-0452	1	Pivot Hinge ASM	20:2	127-6422	2	Screw-Grease, Roller
8:2	125-5196	4	Bushing	21	138-6303	1	Arm-Pull-Assembly-RH
9	302-60	1	Fitting-Grease	21:2	125-5178	2	Bushing
11	3253-21	2	Washer-Lock	21:3	302-5	1	Fitting-Grease
12	3256-24	2	Washer-Plain	22	32104-95	2	Screw-HWH
13	138-6311	1	Arm-Pull-Assembly-LH	23	94-4548	2	Bumper-Recessed
13:2	125-5178	1	Bushing	24	136-8485	1	Frame-Pull, Center
13:3	302-5	1	Fitting-Grease	25	110-3953	1	Spring-Torsion, Center
14	3290-317	2	Washer-Spring	26	110-3955	1	Center Lift Arm ASM
16	131-4295	1	Pin-Pivot	26:2	125-5196	2	Bushing
17	147-3120	2	Ball Joint Receiver ASM	27	302-33	1	Fitting-Grease

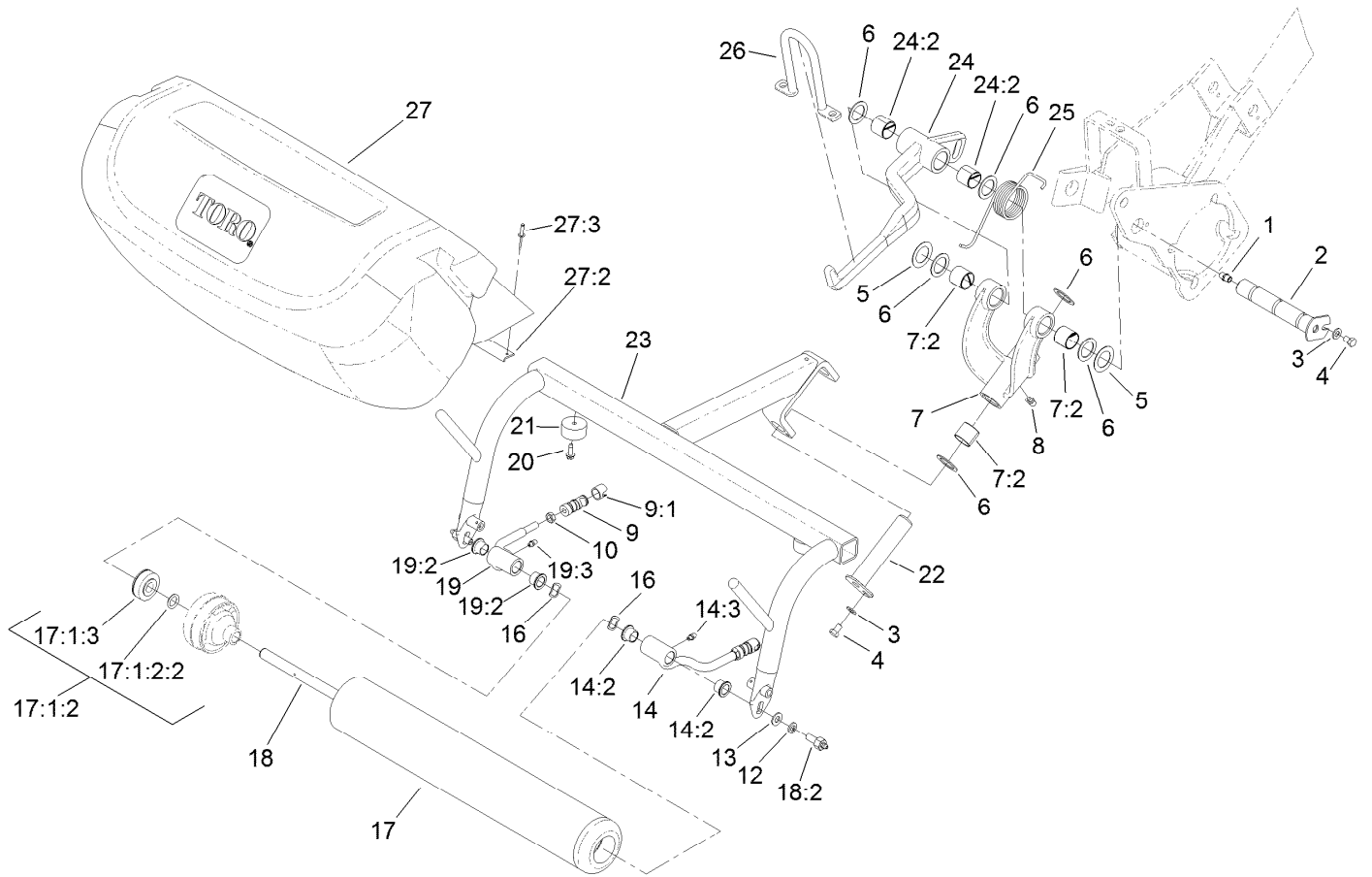
● Not serviced separately



Center Pull Frame Assembly (continued)

<i>Ref.</i>	<i>Part Number</i>	<i>Qty.</i>	<i>Description</i>	<i>Ref.</i>	<i>Part Number</i>	<i>Qty.</i>	<i>Description</i>
28	105-5740	1	Hook-Lift (GR30/31X0)	29:2	104-2607	1	Strip-Basket
29	108-8642	1	Grass Basket ASM	29:3	3269-5	8	Rivet-Pop

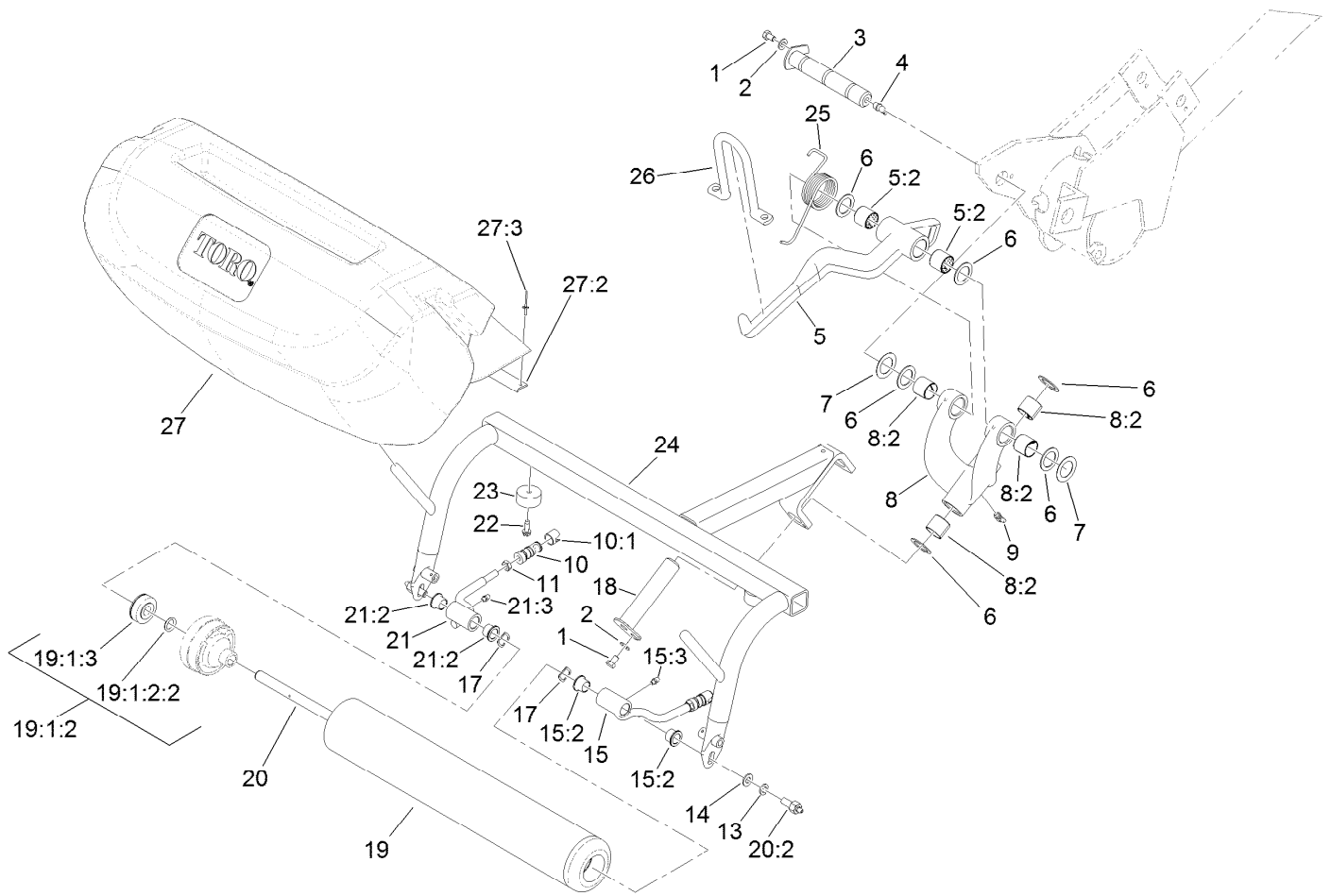
● Not serviced separately



Left Pull Frame Assembly

Ref.	Part Number	Qty.	Description	Ref.	Part Number	Qty.	Description
1	302-33	1	Fitting-Grease	17:1:2		2	Hub Yoke ASM ●
2	140-6493	1	Pin-Hinge, Short	17:1:2:2	253-83	1	Seal-Oil
3	3256-23	2	Washer-Plain	17:1:3	133-2378	2	Bearing
4	322-1	2	Screw-HH	18	136-8471	1	Shaft Kit
5	5-1226	2	Washer	18:2	127-6422	2	Screw-Grease, Roller
6	10-8110	6	Washer-Thrust	19	138-6303	1	Arm-Pull-Assembly-RH
7	10-7820	1	Pivot Hinge ASM	19:2	125-5178	2	Bushing
7:2	125-5196	4	Bushing	19:3	302-5	1	Fitting-Grease
8	302-60	1	Fitting-Grease	20	32104-95	2	Screw-HWH
9	147-3120	2	Ball Joint Receiver ASM	21	94-4548	2	Bumper-Recessed
9:1	147-3121	1	Sleeve-Joint Ball	22	131-4295	1	Pin-Pivot
10	3220-3	2	Nut-HJ	23	136-8484	1	Frame-Pull, LH
12	3253-21	2	Washer-Lock	24	107-2598	1	LH Lift Arm ASM
13	3256-24	2	Washer-Plain	24:2	125-5196	2	Bushing
14	138-6311	1	Arm-Pull-Assembly-LH	25	110-3952	1	Spring-Torsion, LH
14:2	125-5178	1	Bushing	26	105-5740	1	Hook-Lift (GR30/31X0)
14:3	302-5	1	Fitting-Grease	27	108-8642	1	Grass Basket ASM
16	3290-317	2	Washer-Spring	27:2	104-2607	1	Strip-Basket
17	133-2337	1	Roller ASM	27:3	3269-5	8	Rivet-Pop

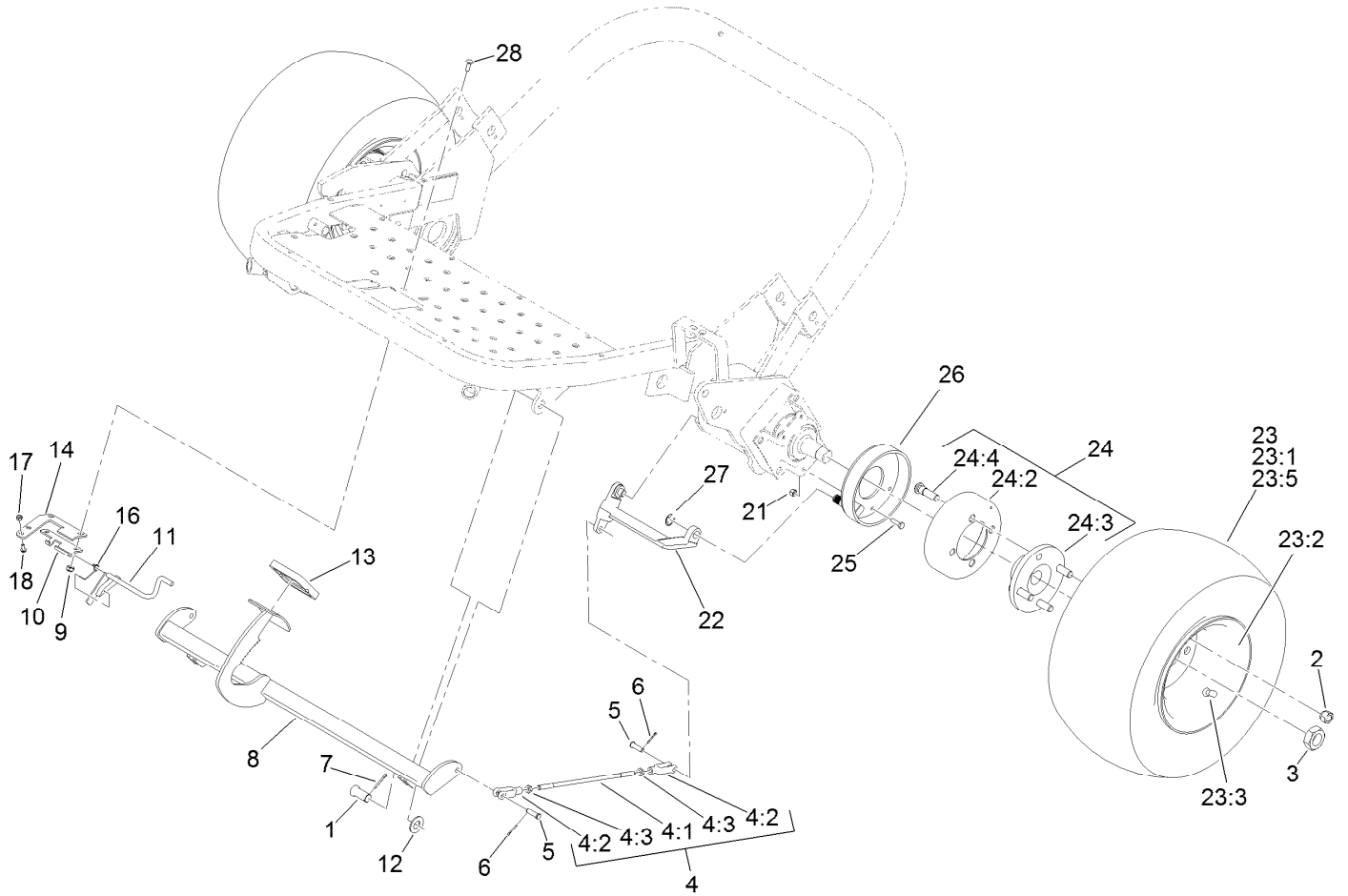
● Not serviced separately



Right Pull Frame Assembly

Ref.	Part Number	Qty.	Description	Ref.	Part Number	Qty.	Description
1	322-1	2	Screw-HH	17	3290-317	2	Washer-Spring
2	3256-23	2	Washer-Plain	18	131-4295	1	Pin-Pivot
3	140-6493	1	Pin-Hinge, Short	19	133-2337	1	Roller ASM
4	302-33	1	Fitting-Grease	19:1:2		2	Hub Yoke ASM ●
5	107-2599	1	RH Lift Arm ASM	19:1:2:2	253-83	1	Seal-Oil
5:2	125-5196	2	Bushing	19:1:3	133-2378	2	Bearing
6	10-8110	6	Washer-Thrust	20	136-8471	1	Shaft Kit
7	5-1226	2	Washer	20:2	127-6422	2	Screw-Grease, Roller
8	10-7820	1	Pivot Hinge ASM	21	138-6303	1	Arm-Pull-Assembly-RH
8:2	125-5196	4	Bushing	21:2	125-5178	2	Bushing
9	302-60	1	Fitting-Grease	21:3	302-5	1	Fitting-Grease
10	147-3120	2	Ball Joint Receiver ASM	22	32104-95	2	Screw-HWH
10:1	147-3121	1	Sleeve-Joint Ball	23	94-4548	2	Bumper-Recessed
11	3220-3	2	Nut-HJ	24	136-8483	1	Frame-Pull, RH
13	3253-21	2	Washer-Lock	25	110-3951	1	Spring-Torsion, RH
14	3256-24	2	Washer-Plain	26	105-5740	1	Hook-Lift (GR30/31X0)
15	138-6311	1	Arm-Pull-Assembly-LH	27	108-8642	1	Grass Basket ASM
15:2	125-5178	1	Bushing	27:2	104-2607	1	Strip-Basket
15:3	302-5	1	Fitting-Grease	27:3	3269-5	8	Rivet-Pop

● Not serviced separately



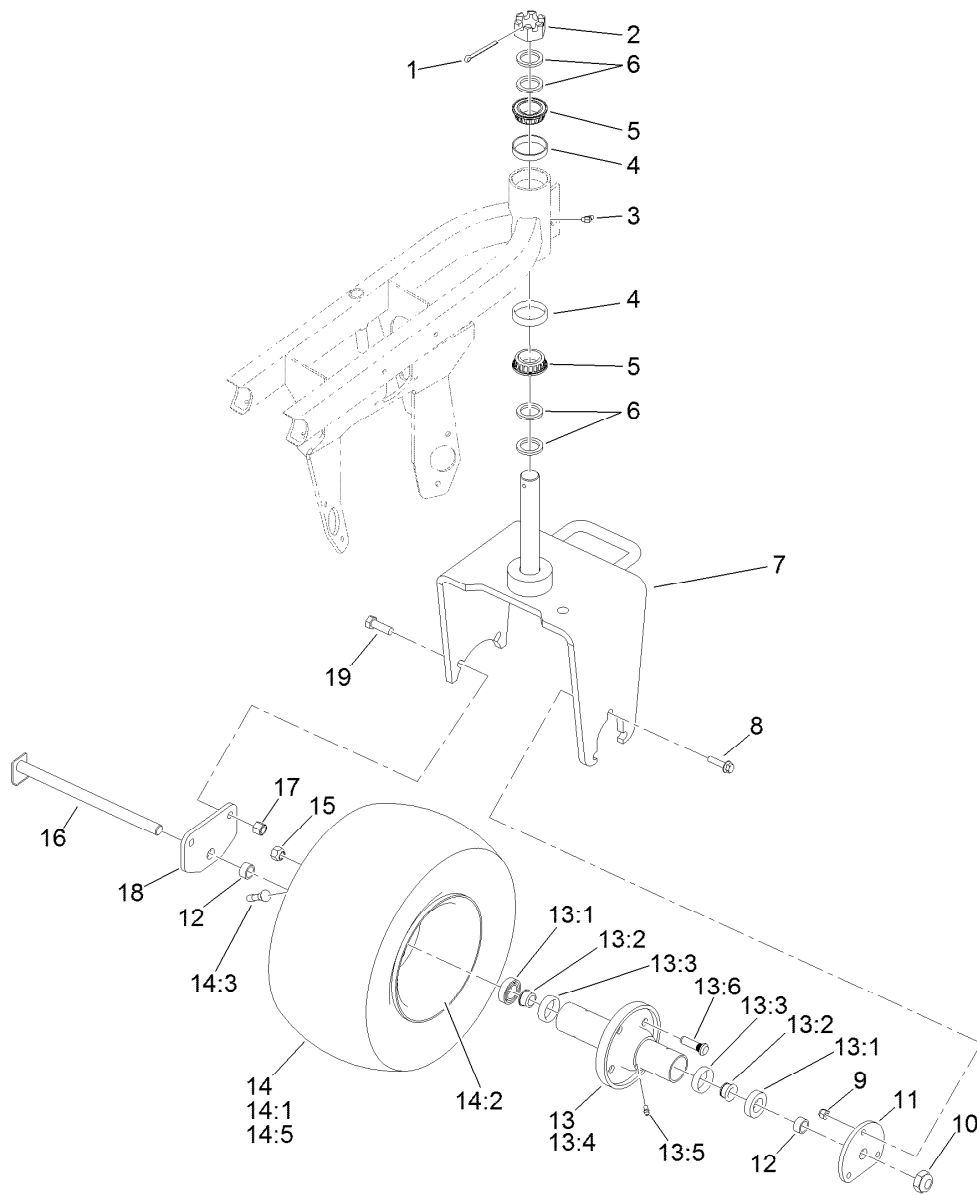
Front Wheel and Brake Assembly

Ref.	Part Number	Qty.	Description	Ref.	Part Number	Qty.	Description
1	283-87	2	Pin-Clevis	17	3296-2	2	Nut-Lock, NI
2	242-50	8	Nut-Lug	18	3290-321	2	Screw-HWH
3	26-3790	2	Nut-Lock	21	3296-42	8	Nut-Lock, NI
4	130-0110	2	Brake Rod ASM	22	93-2096	2	Lever-Brake
4:1	27-2270	1	Rod-Adjustment, Brake	23	10-6790	2	Wheel And Tire ASM
4:2	1-303105	2	Yoke-Adjustable	23:1	28-3680	1	Tire
4:3	3220-2	2	Nut-Jam	23:2	217-60	1	Rim
5	283-61	4	Pin-Yoke	23:3	232-27	1	Stem-Valve
6	3272-6	4	Pin-Cotter	23:5	232-37	1	Tube
7	3272-11	2	Pin-Cotter	24	10-6821	2	Brake Drum ASM
8	127-2208-01	1	Pedal-Brake	24:2	10-6850	1	Drum-Brake
9	3296-16	2	Nut-Lock, NI	24:3	10-6870-0P	1	Hub-Wheel
10	131-2078	1	Sheet-Hinge, Sensor	24:4	85-6540	4	Stud-Drive
11	131-2081	1	Latch	25	321-5	8	Screw-HH
12	3256-27	2	Washer-Flat	26	104-7705	2	Brake ASM
13	93-7629	1	Pad-Foot, Brake	27	104-7706	2	E-Ring, Bowed
14	131-2077	1	Sheet-Hinge	28	3229-1	2	Screw-CARR
16	132-6988	1	Spring-Brake Latch				



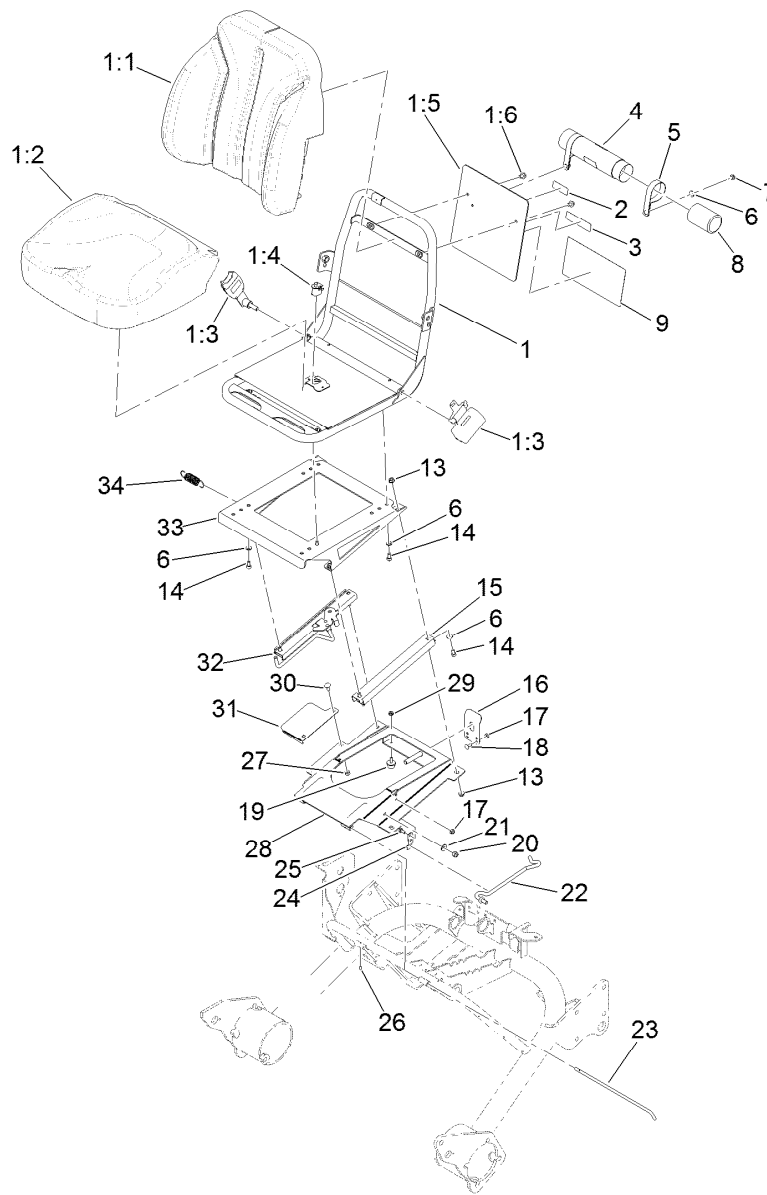
Brake Assembly No. 104-7705

<i>Ref.</i>	<i>Part Number</i>	<i>Qty.</i>	<i>Description</i>
1	70-9870	1	Plate-Backing
2	104-7707	1	Shaft-Cam, Brake
3	104-7706	1	E-Ring, Bowed
4	70-9880	2	Spring-Return
5	70-9840	2	Shoe-Brake



Rear Wheel Assembly

<i>Ref.</i>	<i>Part Number</i>	<i>Qty.</i>	<i>Description</i>	<i>Ref.</i>	<i>Part Number</i>	<i>Qty.</i>	<i>Description</i>
1	3272-37	1	Pin-Cotter	13:3	254-79	2	Bearing-Roller, Cup
2	32136-9	1	Nut-Hex, Slotted	13:4	75-9440	1	Hub ASM
3	302-11	1	Fitting-Lube, 45 DEG	13:5	302-11	1	Fitting-Lube, 45 DEG
4	115-9471	2	Bearing-Cup	13:6	10-6830	4	Stud-Type, Drive
5	115-9472	2	Bearing-Cone And Seal	14	10-6790	1	Wheel And Tire ASM
6	18-6320	4	Washer-Steering	14:1	28-3680	1	Tire
7	112-0285-01	1	Fork-Castor	14:2	217-60	1	Rim
8	114-4681	3	Screw-HHF	14:3	232-27	1	Stem-Valve
9	3296-39	3	Nut-Lock, NI	14:5	232-37	1	Tube
10	3296-67	1	Nut-Lock, NI	15	242-50	4	Nut-Lug
11	99-1486-01	1	Plate-Adapter	16	5-3934	1	Bolt-Caster
12	74-3730	2	Spacer-Spindle, Rear	17	3296-23	2	Nut-Lock, NI
13	72-9710	1	Hub-Tire	18	99-1485-01	1	Plate-Adapter, Motor
13:1	253-111	2	Seal-Oil	19	325-6	2	Screw-HH
13:2	254-78	2	Bearing-Cone				



Seat Assembly

<i>Ref.</i>	<i>Part Number</i>	<i>Qty.</i>	<i>Description</i>	<i>Ref.</i>	<i>Part Number</i>	<i>Qty.</i>	<i>Description</i>
1	139-2680	1	Seat ASM	17	3296-16	4	Nut-Lock, NI
1:1	145-0083	1	Cover-Seat, Back	18	3229-1	2	Screw-CARR
1:2	145-0084	1	Cover-Seat, Bottom	19	1-523420	2	Bumper
1:3	139-2707	1	Seat Belt Kit	20	3296-39	1	Nut-Lock, NI
1:4	82-2190	1	Switch-Bail	21	3256-24	1	Washer-Plain
1:5	139-2701	1	Plate-Decal	22	106-4643	1	Rod-Prop, Seat
1:6	3234-30	2	Screw-HHF	23	105-0483	1	Rod-Pivot, Seat
2	93-6686	1	Decal-Oil, HYD	24	68-5310	1	Clip-Rod, Prop
3	133-8062	1	Decal-Spark Arrestor	25	321-3	2	Screw-HH
4	104-7050	1	Tube-Manual	26	32121-7	1	Pin-Roll, Slotted
5	2412-133	2	Clamp-R	27	3296-29	2	Nut-Lock, NI
6	3256-23	10	Washer-Plain	28	105-0464-03	1	Plate-Seat
7	32104-82	2	Screw-HHF	29	32128-33	2	Nut-HF
8	104-7048	1	Cap-Housing	30	3230-1	2	Bolt-CARR
9	139-2725	1	Decal-Service	31	105-8284-03	1	Shield-Valve
13	32128-25	8	Nut-HF	32	105-8265	1	Adjuster-Seat
14	3274-12	8	Screw-HSH	33	105-0466-03	1	Plate-Seat, Upper
15	51-0780	1	Slider-Seat	34	88-6330	1	Spring-Extension
16	66-2630	1	Latch-Seat				

Attachments and Accessories

For 04358 Greensmaster 3150 2-Wheel Drive Traction Unit

Product Name	Model/Part
Turf Evaluator	04399
CE Guard Kit.....	04440
Three-Wheel Drive Kit without ROPS	04476
Dethatching Unit	04479
Light Kit.....	04554
8-Blade DPA Reel Mower	04652
11-Blade DPA Reel Mower	04654
14-Blade DPA Reel Mower	04656
Weight Kit, Greensmaster and Sand Pro/Infield Pro Traction Unit.....	100-6442
Spark Arrestor Screen	104-6540
Filter-Oil, Engine	107-7817
Premium Engine Oil SAE 30 (Drum)	108-1196
Premium Engine Oil SAE 30 (Pail).....	108-1197
Wireless Hourmeter	115-4754
Premium Synthetic Bio-Degradable Hydraulic Fluid (5 Gallon Pail)	119-2157
Premium Synthetic Bio-Degradable Hydraulic Fluid (55 Gallon Drum).....	119-2158
Tire-Traction	119-3516
Oil Cooler Kit.....	130-6536
Hi-Back Seat Cover	133-1308
PX Hydraulic Fluid (5 Gal)	133-8086
PX Hydraulic Fluid (55 Gal).....	133-8087
Bag Kit	137-8130
Groomer Pull Link Kit, Serial Number 401500000 and After Greensmaster 3120 or Greensmaster 3150 Traction Unit	138-4976
Bimini Shade Kit	138-8579
MVP Kit-HYD Hose.....	140-5236
MVP Kit-1000 Hour	44955
Cartridge-Cleaner, Air	92-0527
Element-Filter	92-0530
Filter-Fuel	94-2690
Height-of-Cut Bar.....	94-9010
Weight Kit, Greensmaster 3100, 3150 or 3250-D Traction Unit with Three-Wheel Drive	99-1645



Count on it.