



Count on it.

Parts Catalog

Reelmaster® 3100-D

Traction Unit With Sidewinder®

Model No. 03171—Serial No. 416944632 and Up



Ordering Replacement Parts

To order replacement parts, please supply the part number, the quantity, and the description of each part desired.

Understanding Reference Numbers

Each identified part in an illustration has a reference number. The reference number for a part also appears in the parts list, along with other information about the part.

This catalog uses two special reference number formats, one to indicate parts in a service assembly and another to indicate the quantity of a given part in an illustration.

Service Assembly Reference Numbers

Parts in service assemblies have reference numbers in the form a:b. The a represents the reference number of the entire service assembly and the b represents a sequential number unique to each part within the service assembly.

For example, a wheel assembly might be identified by reference number 6, the tire by 6:1, the valve by 6:2, and the wheel by 6:3. When you order the assembly identified by reference number 6, you receive all parts identified by reference numbers 6:1, 6:2, and 6:3. However, you may also order any part individually. Reference numbers of this type appear in illustration and in parts lists.

Reference Numbers Indicating Quantity

In an illustration, if a reference number indicates more than one part, the reference number has the form nX y. The n represents the quantity of the part, the X is the multiplication symbol, and the y represents the reference number.

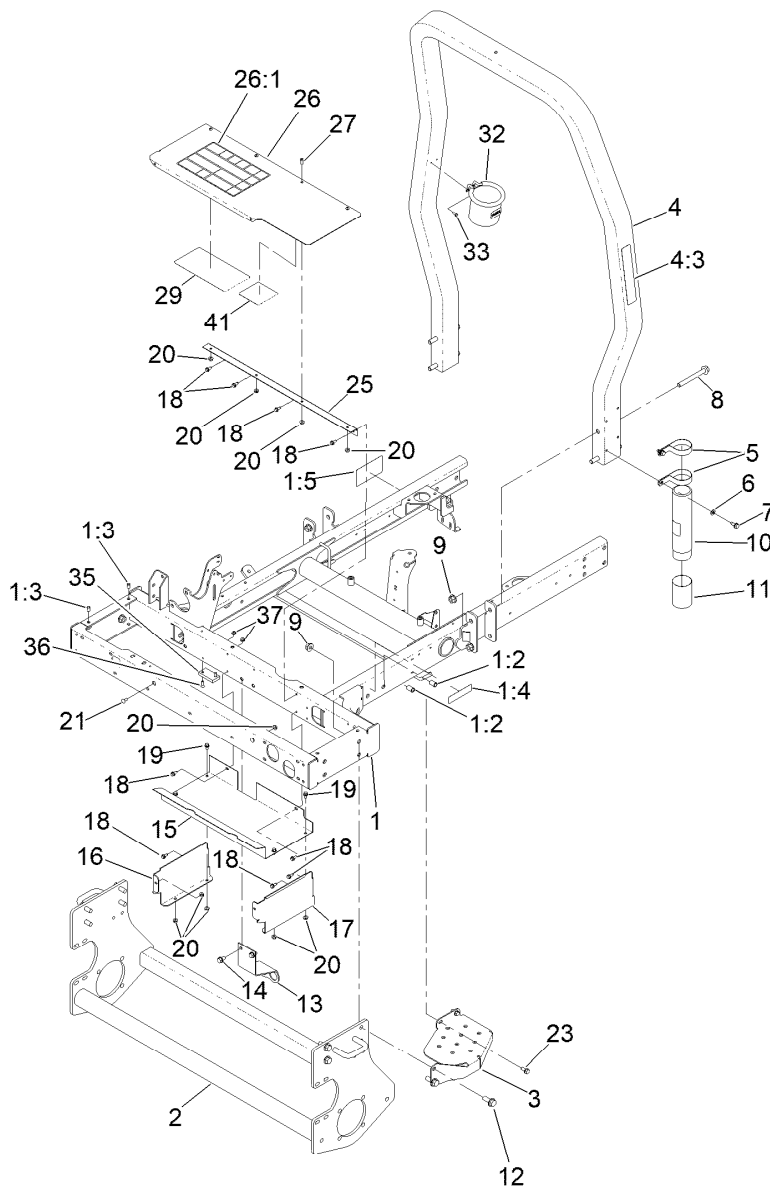
For example, in an illustration, the reference number 2X 37 means that two of the parts identified by reference number 37 are indicated.

Contents

Frame and Roll-Over Protection System Assembly	5
Battery Tray and Cover Assembly	6
Engine and Air Cleaner Assembly	7
Air Cleaner Assembly No. 93-2190	8
Muffler, Muffler Guard and Engine Mount Assembly	9
Radiator Assembly	10
Scissor Assembly	11
Rear Lift Arm Assembly	13
Fuel System Assembly	14
Control Panel Assembly	16
Seat Assembly	18
Seat and Track Assembly No. 139-2679	19
Seat Assembly No. 139-2700	20
Steering Column Assembly	21
Steering Valve Assembly No. 121-7856	22
Pedal Assembly	23
Floor Plate Assembly	25
Hood Assembly	26
Hydraulic Drive and Wheel Assembly	27
Hydraulic Motor Assembly No. 110-8786	28
Hydraulic Motor Assembly No. 110-8785	29
Brake Assembly No. 104-7705	30
Rear Fork and Tire Assembly	31
Hydraulic Motor Assembly No. 95-8694	32
Hydraulic Cylinder Assembly No. 121-3653	33
Tandem Hydraulic Pump Assembly	34
Hydraulic Pump Assembly No. 104-4890	35
Gear Pump Assembly No. 136-3743	37
Tandem Pump Mount Assembly	38
Traction and Steering Circuit Assembly	39
Lift Circuit Assembly	40
Hydraulic Cylinder Assembly No. 112-9916	41
Hydraulic Cylinder Assembly No. 117-5109	42
Hydraulic Mow Circuit Assembly	43
Gear Motor Assembly No. 115-8250	45
Wire Harness and Battery Assembly	46
Hydraulic Tank and Valve Assembly	47
Hydraulic Manifold Assembly No. 108-9037	49
Control Valve Assembly	50
Valve Assembly No. 95-8581	51
Crankcase Assembly	52
Oil Pan and Dipstick Assembly	53
Cylinder Head Assembly	54
Gear Case and Oil Filter Cartridge Assembly	55
Cylinder Head Cover Assembly	56
Main Bearing Case Assembly	57
Camshaft and Idle Gear Shaft Assembly	58
Piston and Crankshaft Assembly	59
Fuel Camshaft and Governor Shaft Assembly	60
Idle Apparatus Assembly	61
Stop Solenoid and Fuel Pump Cover Assembly	62
Injection Pump Assembly	63
Governor Assembly	64
Speed Control Plate Assembly	65

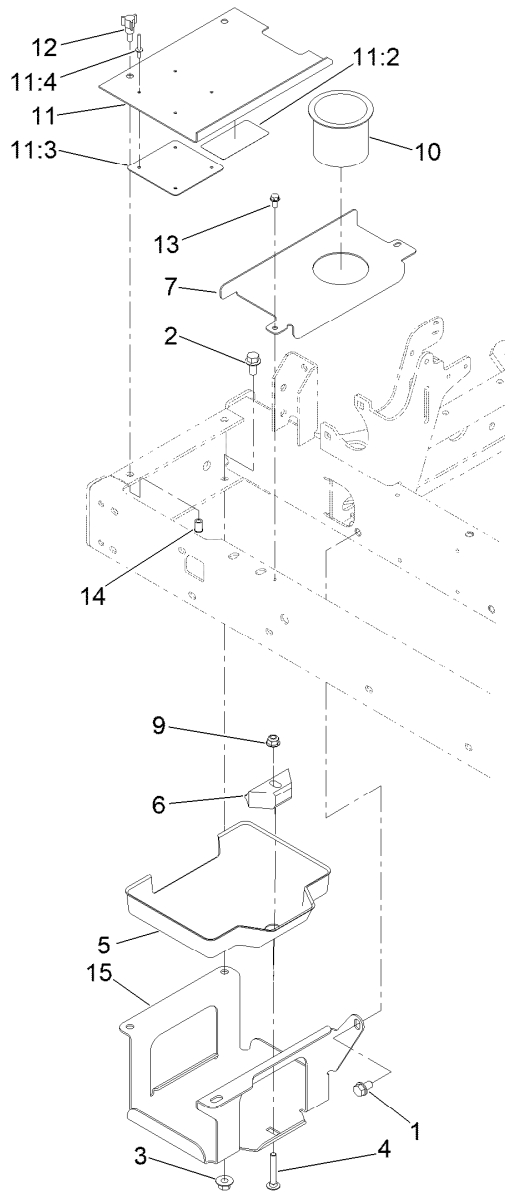
Contents (continued)

Nozzle Holder and Glow Plug Assembly	66
Nozzle Holder Assembly	67
Alternator, Pulley and Fan Assembly	68
Alternator Components Assembly	69
Starter and Flywheel Assembly	70
Starter Component Assembly	71
Water Flange and Thermostat Assembly	72
Water Pump and Water Pipe Assembly	73
Valve and Rocker Arm Assembly	74
Inlet and Exhaust Manifold Assembly	75
Miscellaneous Engine Parts	76
Upper Gasket Kit	77
Lower Engine Gasket Kit	78
Attachments and Accessories	79



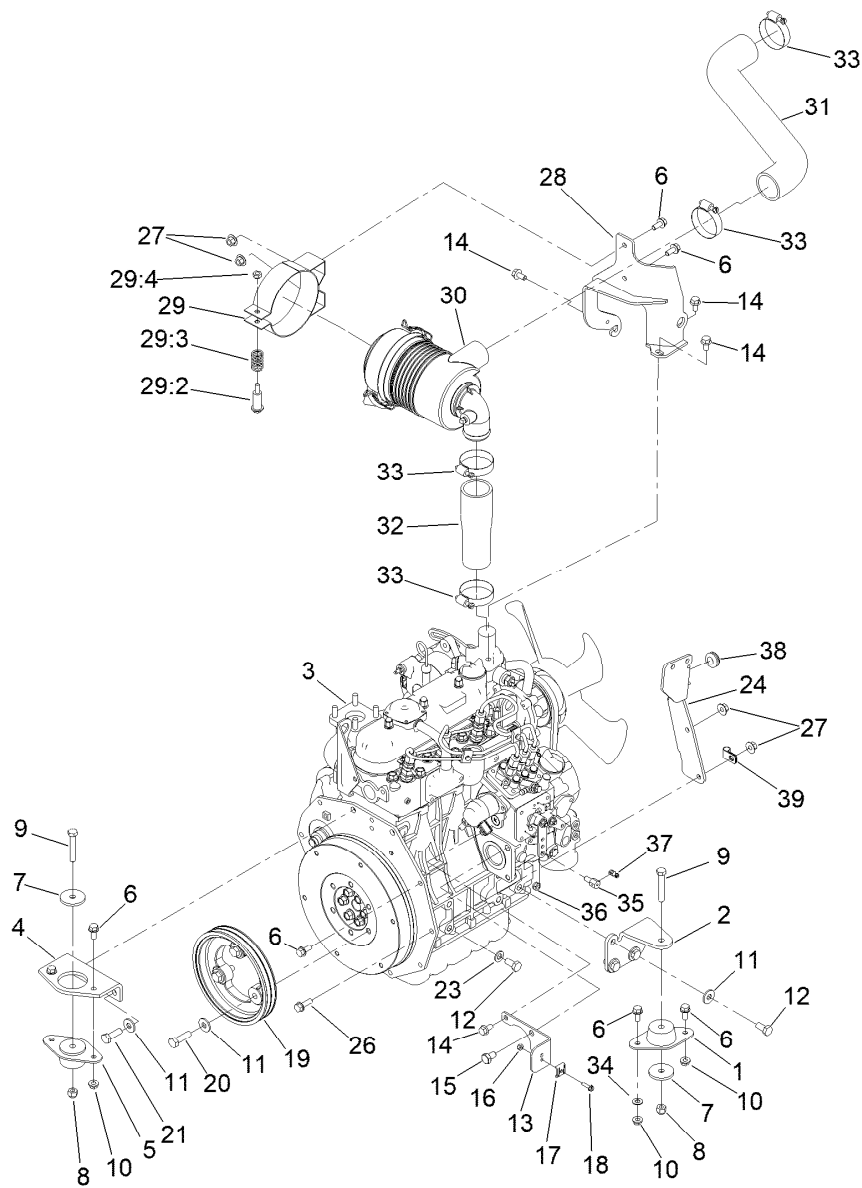
Frame and Roll-Over Protection System Assembly

Ref.	Part Number	Qty.	Description	Ref.	Part Number	Qty.	Description
1	121-3639	1	Frame ASM W/Decals	15	99-3430-0P	1	Bottom - Toolbox *b
1:2	32148-8	2	Nut-Clinch	16	99-3431-0P	1	End - Toolbox, RH *b
1:3	32148-6	2	Nut-Clinch	17	99-3432-0P	1	End - Toolbox, LH *b
1:4	133-8062	1	Decal-Spark Arrestor	18	32144-10	9	Screw-HWH
1:5	117-3270	2	Decal-Danger	19	3234-13	4	Screw-HHF
2	95-8568-03	1	Frame-Lower	20	32128-33	10	Nut-HF
3	99-3375-03	1	Step	21	3229-11	2	Screw-CARR
4	127-8493	1	ROPS ASM	23	3234-5	2	Screw-HHF
4:3	136-3702	1	Decal-Safety, ROPS	25	119-2034	1	Hinge-Toolbox
5	2412-133	2	Clamp-R	26	119-2029	1	Toolbox Cover ASM
6	3256-23	2	Washer-Plain	26:1	121-3623	1	Decal-Danger
7	32144-70	2	Screw-HWHTF	27	119-6906	4	Screw-HSBH
8	117-3176	4	Screw-HHF	29	136-3716	1	Decal-Service
9	32128-49	12	Nut-HHF	32	117-2378	1	Holder-Bag
10	104-7050	1	Tube-Manual	33	32144-1	2	Screw-Taptite
11	104-7048	1	Cap-Housing	35	95-8684	1	Pad-Bumper
12	3234-38	8	Screw-HHF	36	3289-4	2	Screw-FH
13	115-3417-0P	1	Bracket-Bulkhead, Scissor	37	104-7201	2	Nut-HF, NI
14	32144-15	2	Screw-HHFTF	41	147-6069	1	Decal-Reel Speed



Battery Tray and Cover Assembly

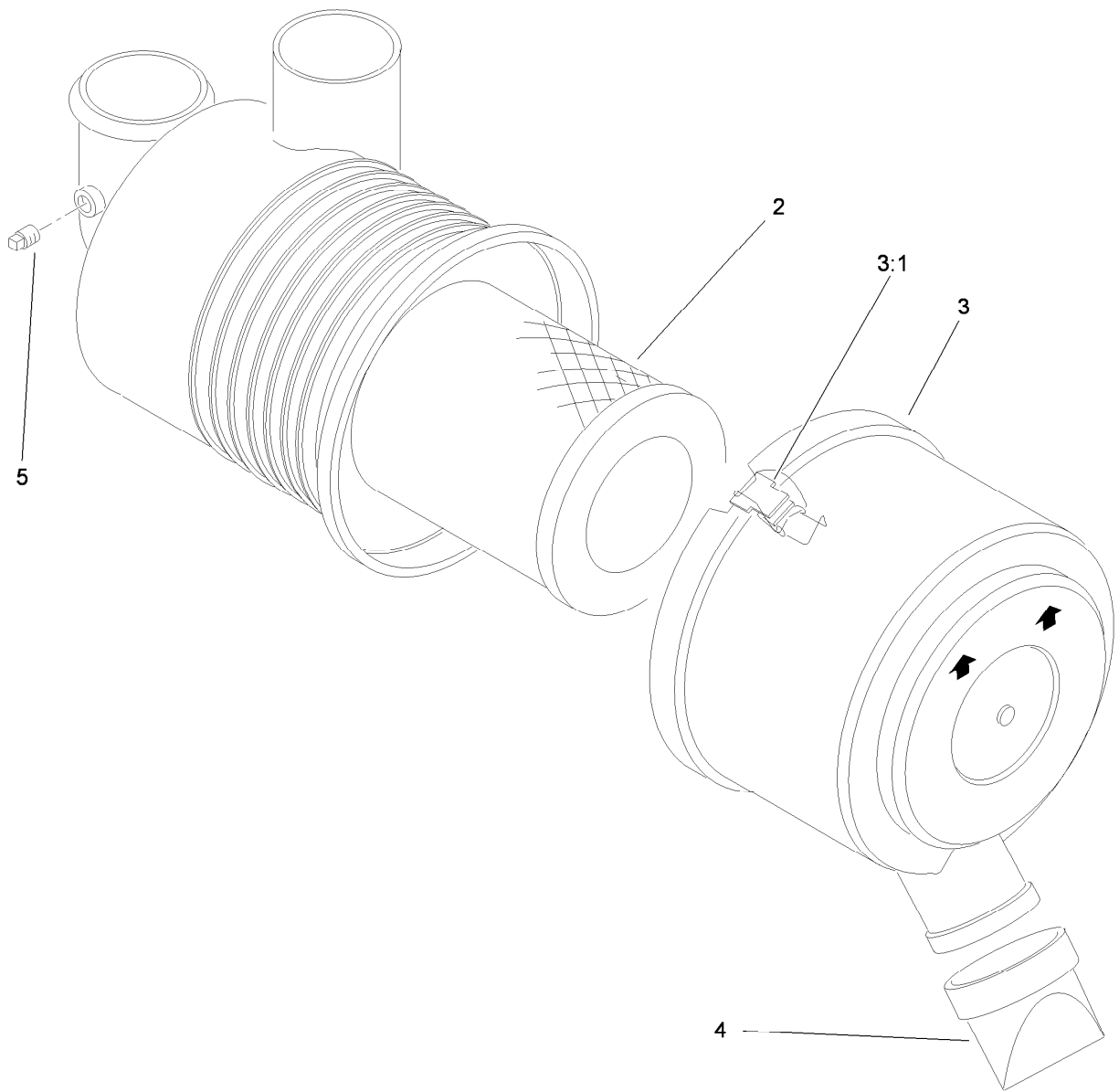
<i>Ref.</i>	<i>Part Number</i>	<i>Qty.</i>	<i>Description</i>	<i>Ref.</i>	<i>Part Number</i>	<i>Qty.</i>	<i>Description</i>
1	32144-15	1	Screw-HHFTF	11	99-3602	1	Battery Cover ASM
2	3234-1	3	Screw-HHF	11:2	93-7276	1	Decal-Danger
3	32128-43	3	Nut-Flange	11:3	87-7620	1	Shield-Terminal, Battery
4	3230-6	1	Bolt-CARR	11:4	3269-27	4	Rivet-Snap
5	99-3513	1	Tray-Battery	12	233-70	2	Knob-Star, Three
6	138-6335	1	Retainer-Battery	13	32144-4	2	Screw-HWH
7	95-8817-01	1	Cover-Battery, Inner	14	32148-6	2	Nut-Clinch
9	104-8300	1	Nut-HF, NI	15	95-8796-03	1	Support-Battery
10	94-1410	1	Holder-Can, Beverage				



Engine and Air Cleaner Assembly

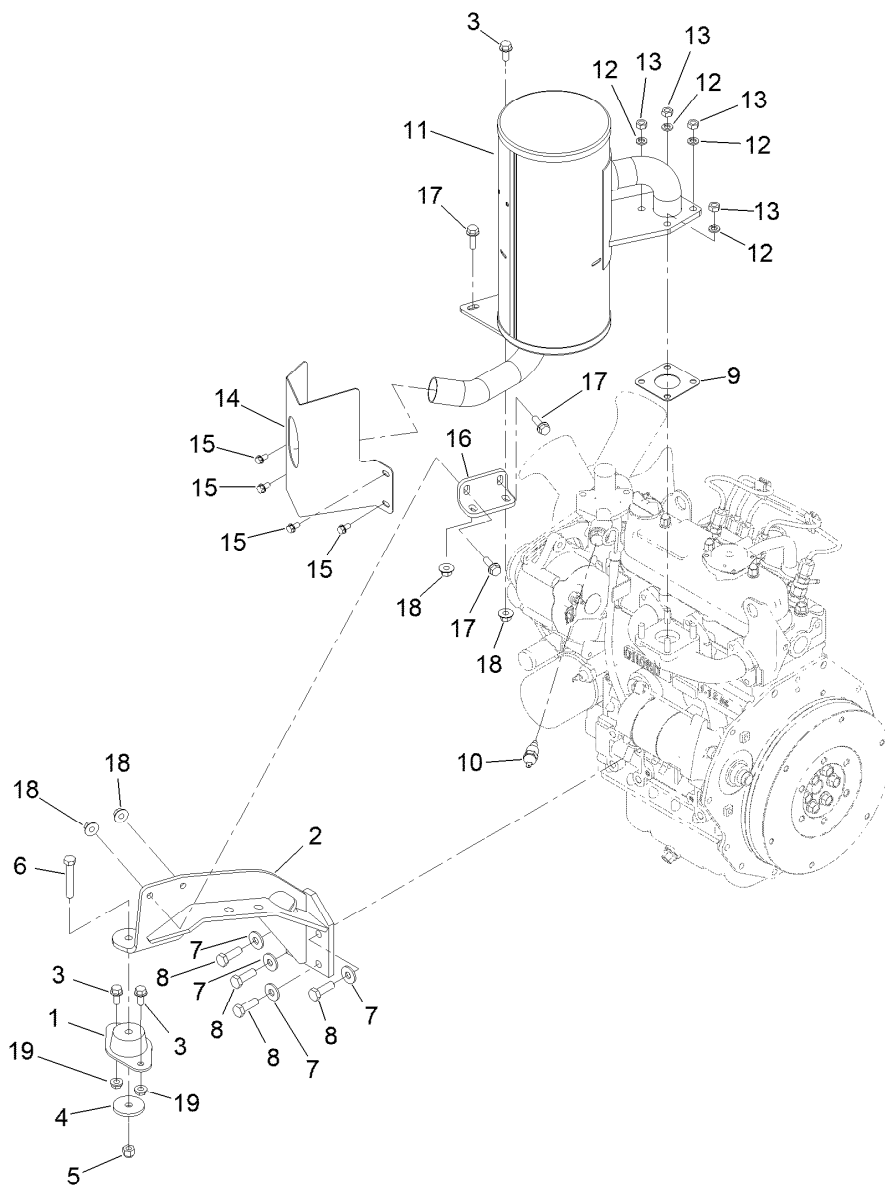
Ref.	Part Number	Qty.	Description
1	121-9076	1	Mount-Engine
2	95-8937-0P	1	Mount-Engine, LH
3	138-6905	1	Engine-Kubota, D1105
4	95-8926-0P	1	Mount - Engine, Front
5	93-5265	1	Mount-Engine
6	3234-5	5	Screw-HHF
7	80-8560	2	Washer-Hardened
8	3296-39	2	Nut-Lock, NI
9	323-11	2	Screw-HH
10	32128-20	4	Nut-HF
11	80-6990	7	Washer-Hardened
12	63-7790	4	Screw-Cap
13	110-9009-0P	1	Bracket-Cable, Throttle
14	33104-016	4	Screw-HHF
15	70-8470	1	Screw-HH
16	3296-2	1	Nut-Lock, NI
17	81-1690	1	Clamp-Cable
18	32105-13	1	Screw-HWH
19	99-3412	1	Pulley
20	56-2140	3	Screw-HH
21	95-8812	1	Screw-HH

Ref.	Part Number	Qty.	Description
23	33095-00	1	Washer-Flat
24	115-3487-0P	1	Bracket-Mount, Fuel Filter
26	3234-17	3	Screw-HHF
27	32128-44	4	Nut
28	136-3154-0P	1	Bracket-Cleaner, Air
29	93-2191	1	Air Cleaner Mounting Band ASM
29:2	94-3653	1	Bolt
29:3	94-3654	1	Spring
29:4	33024-00	1	Nut-Lock, NI
30	93-2190	1	Air Cleaner ASM
31	95-8946	1	Hose-Upper, Air Inlet
32	95-8947	1	Hose-Air Inlet, Lower
33	2412-92	4	Clamp-Hose
34	120-9683	1	Washer-Plain
35	98-9311	1	Swivel-Throttle
36	3296-20	1	Nut-Lock, NI
37	112-9919	1	Stop-Cable, Throttle
38	1-543296	1	Grommet
39	2412-10	1	Clamp-R



Air Cleaner Assembly No. 93-2190

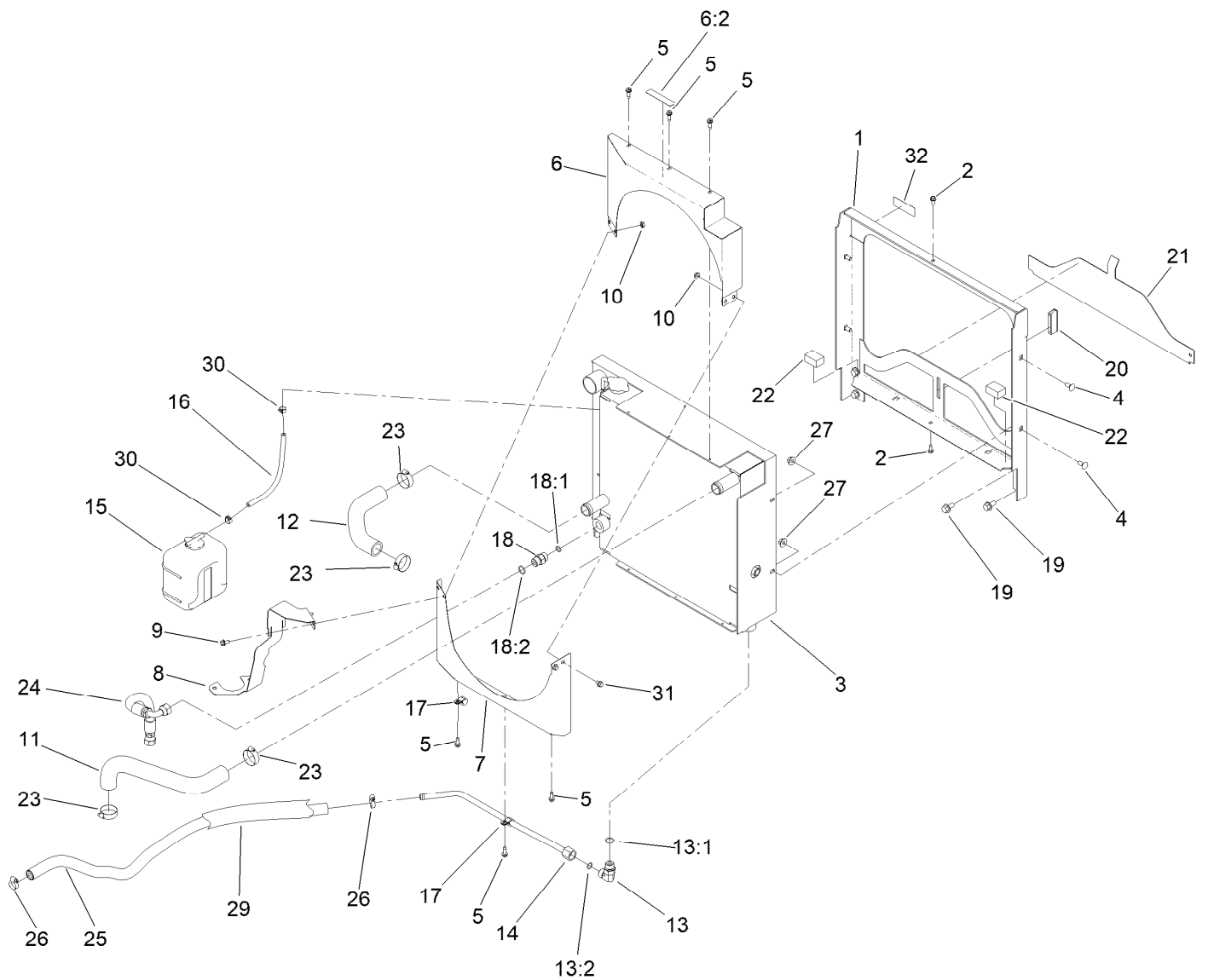
<i>Ref.</i>	<i>Part Number</i>	<i>Qty.</i>	<i>Description</i>
2	108-3811	1	Filter-Air V-Twin HD
3	94-3652	1	Cover ASM
3:1	1-643283	2	Latch-Cleaner, Air
4	87-9400	1	Valve-Vacuator
5	285-17	1	Plug-Pipe



Muffler, Muffler Guard and Engine Mount Assembly

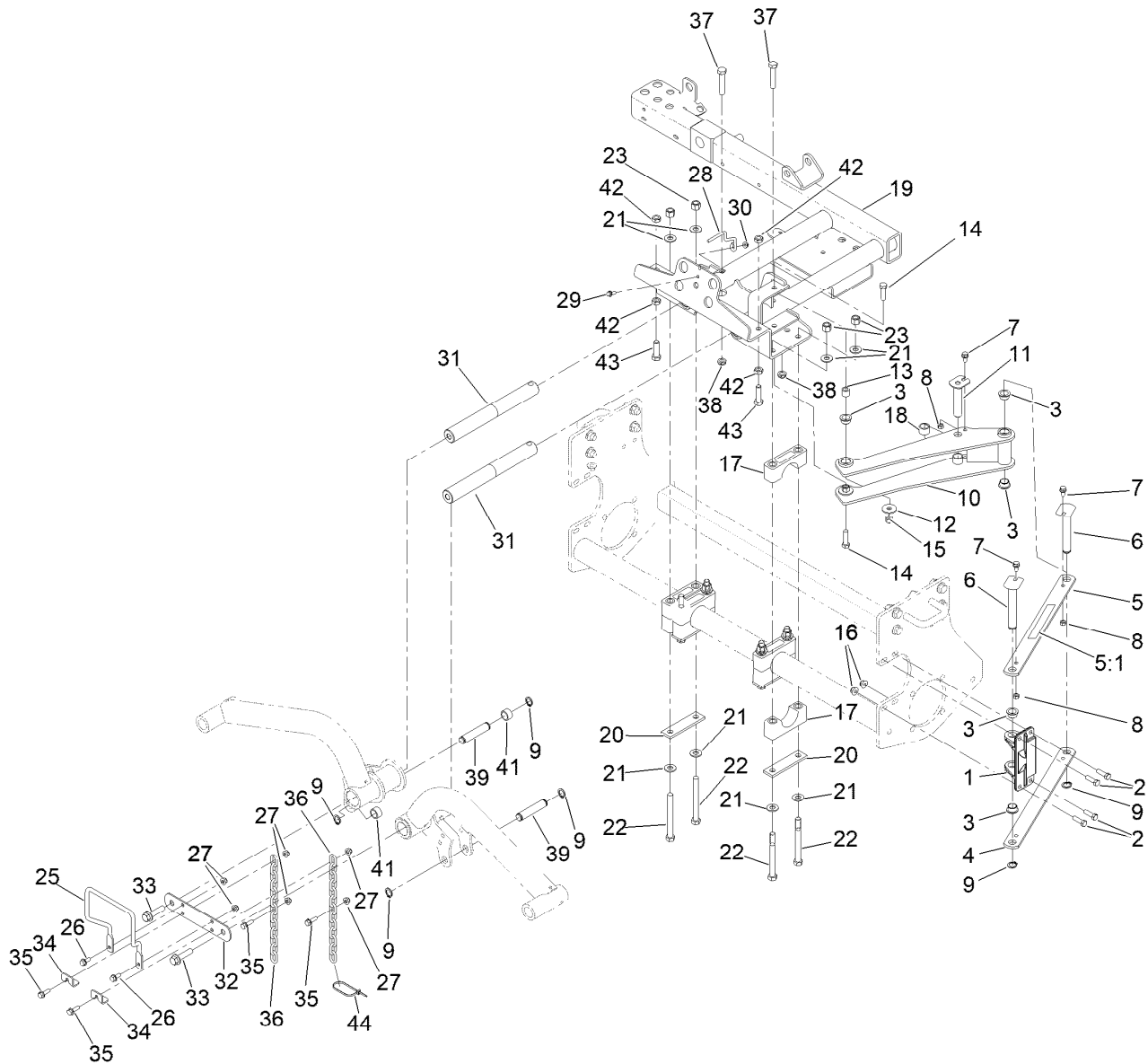
Ref.	Part Number	Qty.	Description
1	121-9076	1	Mount-Engine
2	100-4838-0P	1	Mount-Engine
3	3234-5	3	Screw-HHF
4	80-8560	1	Washer-Hardened
5	3296-39	1	Nut-Lock, NI
6	323-11	1	Screw-HH
7	80-6990	4	Washer-Hardened
8	95-8812	4	Screw-HH
9	98-9611	1	Gasket
10	106-7772	1	Thermoswitch

Ref.	Part Number	Qty.	Description
11	139-6013	1	Muffler
12	3253-4	4	Washer-Lock
13	33014-00	4	Nut-Hex
14	140-7428-03	1	Guard-Exhaust
15	32144-4	4	Screw-HWH
16	95-8943-0P	1	Bracket-Muffler
17	3234-17	3	Screw-HHF
18	32128-44	4	Nut
19	32128-20	2	Nut-HF



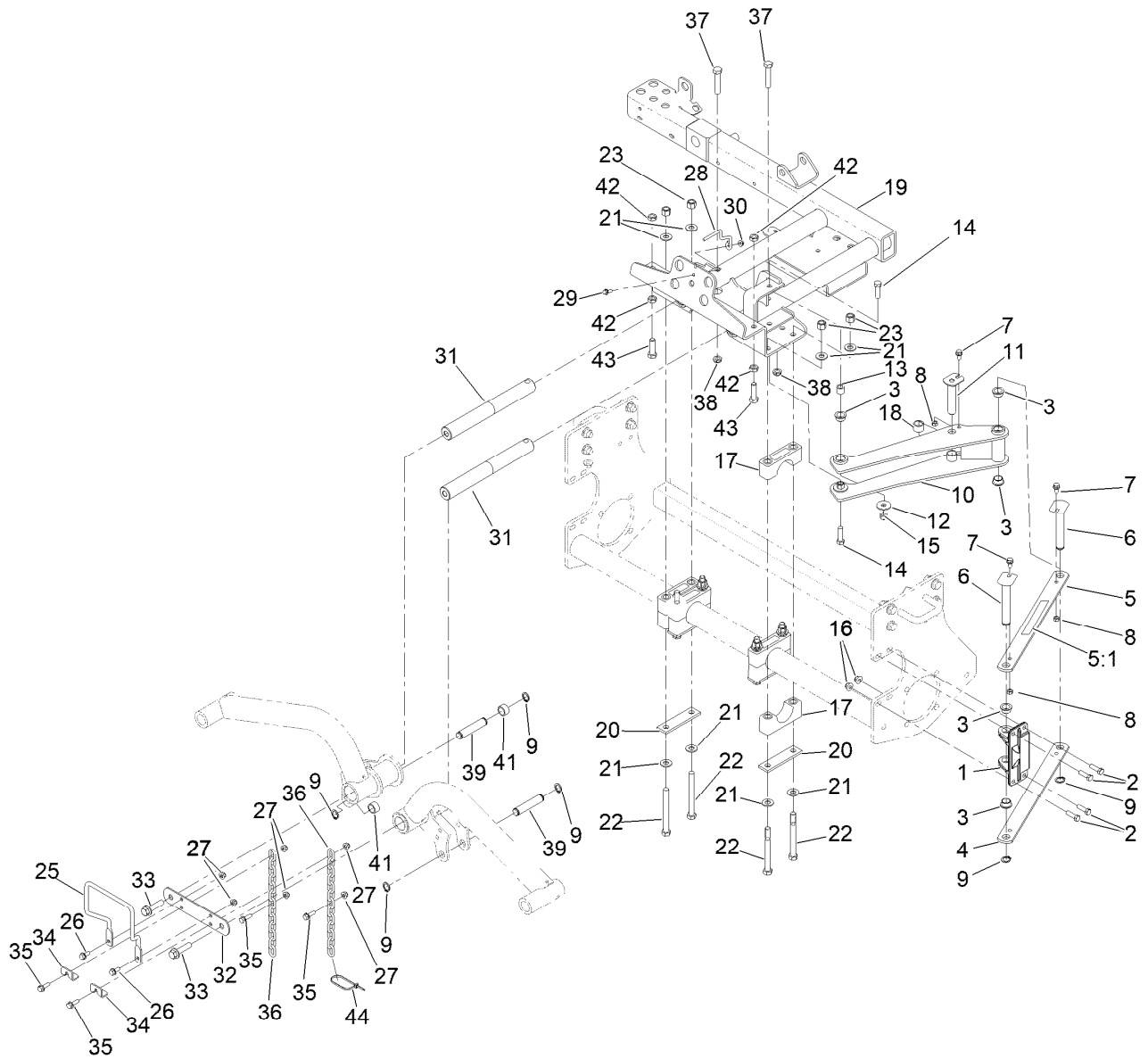
Radiator Assembly

Ref.	Part Number	Qty.	Description	Ref.	Part Number	Qty.	Description
1	100-4903-0P	1	Radiator Frame ASM	16	110-4105	1	Hose-Fuel
2	119-2038	2	Screw-HWH	17	2412-73	2	Clamp-R
3	120-3392	1	Radiator/Oil Cooler	18	340-4	1	Fitting-Straight
4	3230-1	4	Bolt-CARR	18:1	237-30	1	O-Ring
5	32104-95	6	Screw-HWH	18:2	237-79	1	O-Ring
6	121-3584	1	Shroud-Fan, Top	19	3234-1	4	Screw-HHF
6:2	93-6681	1	Decal-Warning, Fan	20	99-3497	1	Magnet
7	121-6254-0P	1	Shroud-Fan, Bottom	21	95-8702-0P	1	Shield-Radiator, Lower
8	121-3604-0P	1	Bracket-Mounting, Reservoir	22	95-8962	2	Seal-Foam, Radiator
9	3234-13	2	Screw-HHF	23	2412-34	4	Clamp-Hose
10	32128-33	4	Nut-HF	24	104-2806	1	Hose-HYD
11	121-3571	1	Hose-Radiator, Upper	25	93-6804	1	Hose
12	119-6748	1	Hose-Radiator, Lower	26	2412-36	2	Clamp-Hose
13	340-98	1	Fitting-Elbow, 90 DEG	27	3296-29	4	Nut-Lock, NI
13:1	237-79	1	O-Ring	29	56-7985	1	Sleeve-Protective
13:2	237-30	1	O-Ring	30	92-2379	2	Clamp-Hose
14	147-6083	1	Hydraulic Tube ASM	31	3234-26	2	Screw-HHF
15	108-0638	1	Bottle-Overflow	32	125-6688	1	Decal-Danger, Starter Fluid



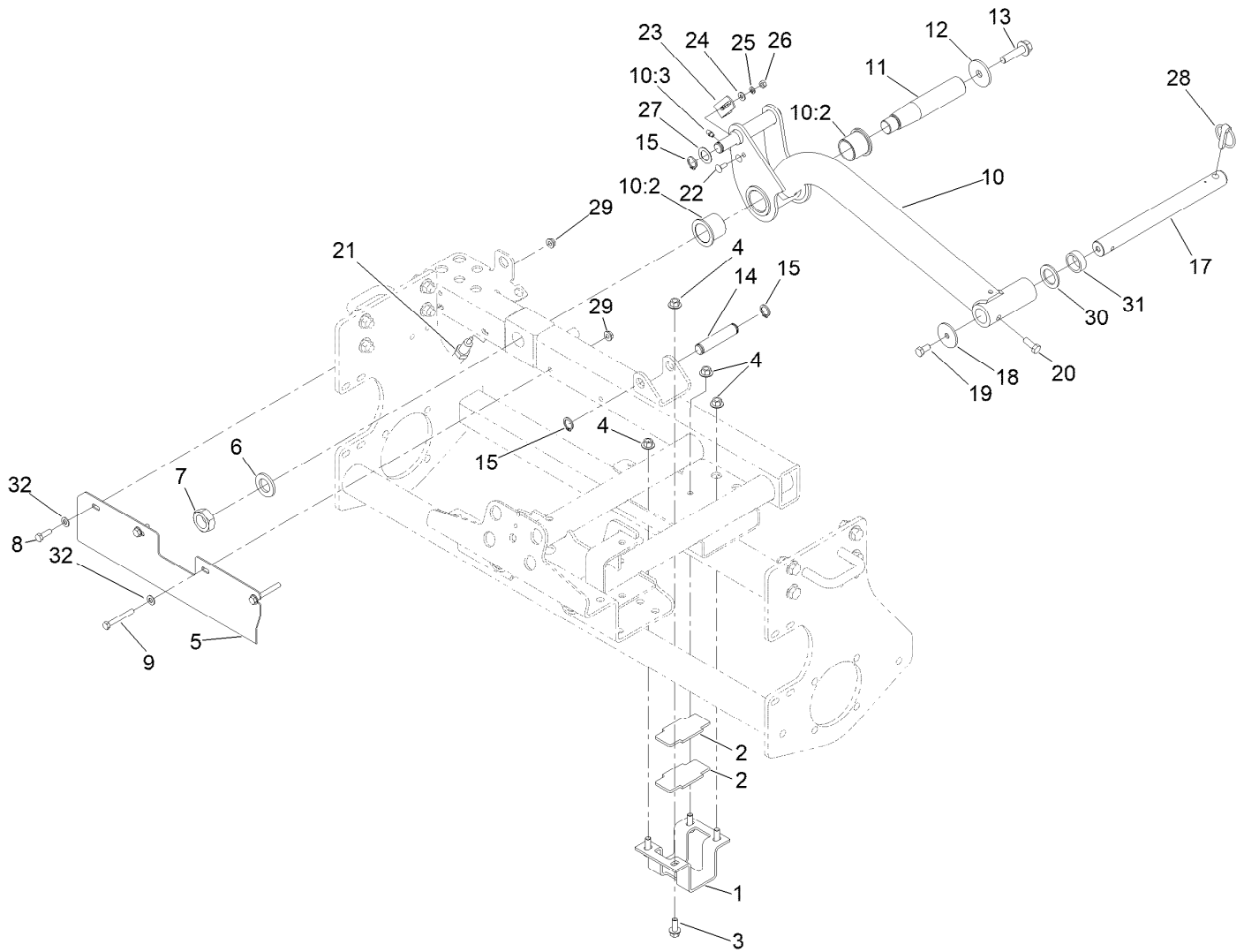
Scissor Assembly

Ref.	Part Number	Qty.	Description	Ref.	Part Number	Qty.	Description
1	95-8883	1	Mount-Scissor	21	87-7270	16	Washer-Thrust
2	323-7	4	Screw-HH	22	325-19	8	Screw-HH
3	95-8526	6	Bushing-Plastic	23	3296-23	8	Nut-Lock, NI
4	95-8527-0P	1	Link-Scissor	25	99-3492	1	Rod-Formed, Hose Guard
5	99-3505	1	Scissors Link ASM	26	3234-5	2	Screw-HHF
5:1	94-3353	1	Decal-Pinch Point, Intl	27	104-8300	6	Nut-HF, NI
6	125-1914	2	Pin-Pivot	28	99-3433	1	Wire-Center
7	3234-14	3	Screw-HHF	29	3234-4	1	Screw-HHF
8	32152-1	3	Nut-Lock, Cone	30	32128-33	1	Nut-HF
9	32120-93	6	Ring-Retaining	31	95-8531	2	Shaft-Pivot, Liftarm
10	95-8521-03	1	Frame-Scissor	32	95-8532-03	1	Link-Shaft, Pivot
11	140-5248	1	Pin-Ram, Pivot	33	3234-27	2	Screw-HHF
12	87-5330	2	Washer	34	99-3550	2	Clip-Link
13	95-8603	2	Spacer	35	3234-17	4	Screw-HHF
14	324-6	2	Screw-HH	36	98-7981	2	Chain-Link, Straight
15	3296-48	2	Nut-Hex	37	325-10	2	Screw-HH
16	104-8301	4	Nut-HF, NI	38	3296-45	2	Nut-Hex
17	104-4865	8	Cap-Bearing	39	95-8575	2	Pin-Clevis
18	46-6350	2	Spacer	41	75-9590	2	Spacer-Cylinder
19	100-4930-03	1	Carrier ASM	42	3218-5	4	Nut-Jam
20	99-3373	4	Bar-Support, Slide				



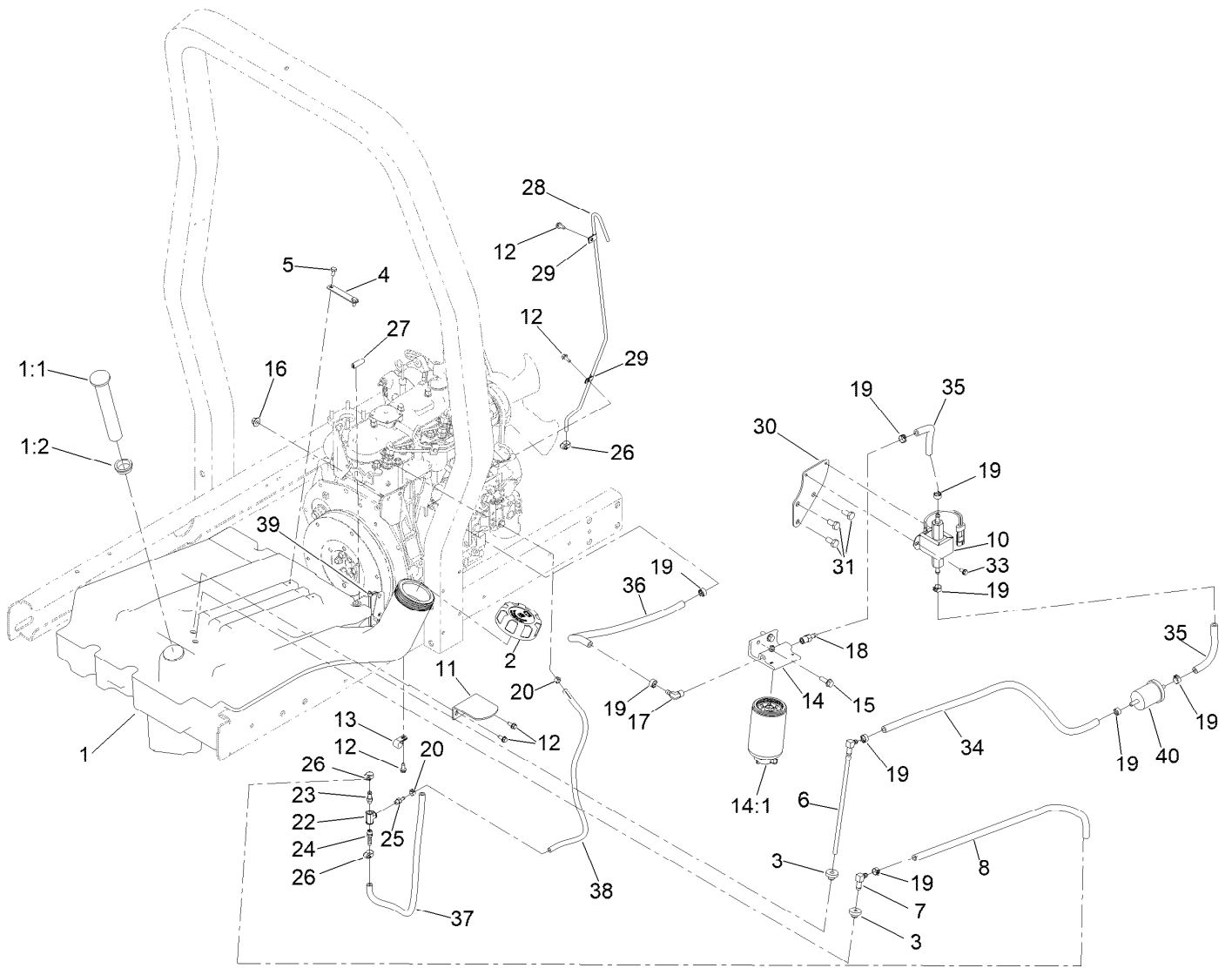
Scissor Assembly (continued)

<i>Ref.</i>	<i>Part Number</i>	<i>Qty.</i>	<i>Description</i>
43	325-7	2	Screw-HH
44	3290-378	1	Tie-Cable



Rear Lift Arm Assembly

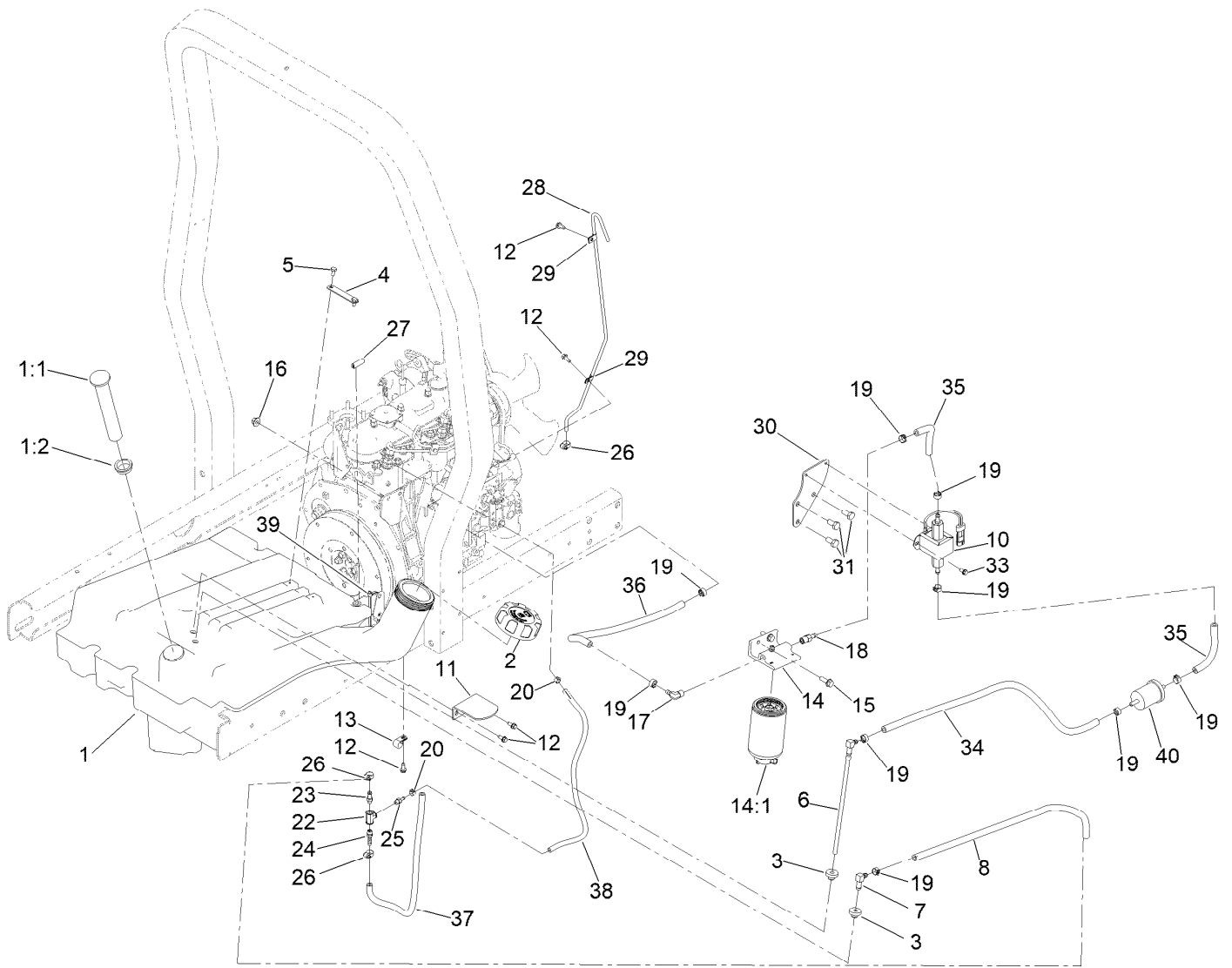
Ref.	Part Number	Qty.	Description	Ref.	Part Number	Qty.	Description
1	95-8519-0P	1	Bracket - Slide *b	17	104-1392	1	Shaft-Pivot
2	95-8538	2	Slide-Plastic	18	63-7400	1	Washer-Rebound
3	3234-11	4	Screw-HHF	19	323-4	1	Screw-HH
4	32128-43	4	Nut-Flange	20	323-6	1	Screw-HH
5	121-3616-03	1	Guard	21	93-6762	1	Switch-Ball
6	86-1480	1	Washer	22	3229-1	2	Screw-CARR
7	3220-9	1	Nut-Jam	23	95-8613	1	Bracket-Switch
8	322-5	2	Screw-HH	24	3256-22	2	Washer-Flat
9	322-12	2	Screw-HH	25	3253-3	2	Washer-Lock
10	136-3425	1	Rear Liftarm ASM-Rm310X	26	3217-5	2	Nut-Hex
10:2	69-6470	2	Bushing-Caster	27	3-6498	1	Washer-Thrust
10:3	302-5	1	Fitting-Grease	28	283-71	1	Pin-Lynch
11	95-8990	1	Shaft-Pivot, Rear	29	32128-20	4	Nut-HF
12	75-7730	1	Washer-Thrust	30	3-6781	1	Washer-Flat
13	3234-27	1	Screw-HHF	31	63-0070	1	Spacer
14	95-8575	1	Pin-Clevis	32	3256-23	4	Washer-Plain
15	32120-93	3	Ring-Retaining				



Fuel System Assembly

Ref.	Part Number	Qty.	Description	Ref.	Part Number	Qty.	Description
1	95-8620	1	Tank-Fuel	17	353-781	1	Fitting-HYD, 90
1:1	95-8971	1	Gauge-Fuel	18	353-783	1	Fitting-STR
1:2	95-8972	1	Grommet	19	92-2379	9	Clamp-Hose
2	114-5064	1	Cap-Diesel	20	2412-80	2	Clamp-Hose
3	46-6560	2	Bushing	22	354-20	1	Fitting-Tee
4	95-8881	1	Strap-Line, Fuel	23	354-21	1	Fitting-Barbed
5	321-2	2	Screw-HH	24	304-73	1	Fitting-Straight
6	110-9689	1	Pipe-Stand	25	354-22	1	Fitting-Barbed
7	46-6550	1	Fitting-Elbow, 90 DEG	26	2412-108	3	Clamp-Worm
8	110-6187	1	Hose-Fuel	27	110-8754	1	Trim
10	145-3160	1	Pump-Fuel, Electric	28	95-8615	1	Tube-Breather
11	95-8968-03	1	Support-Tank, Fuel	29	2412-72	2	Clip-Closed, Insulated
12	32144-10	5	Screw-HWH	30	136-3818-0P	1	Plate-Fuel Pump
13	2412-73	1	Clamp-R	31	63-7790	3	Screw-Cap
14	110-9044	1	Separator-Filter	33	32144-4	2	Screw-HWH
14:1	110-9049	1	Filter-Spin On, Fuel/Water	34	110-3257	1	Hose-Fuel
15	3234-17	2	Screw-HHF	35	109-0310	2	Hose-Fuel
16	32128-44	2	Nut	36	121-7852	1	Hose-Fuel

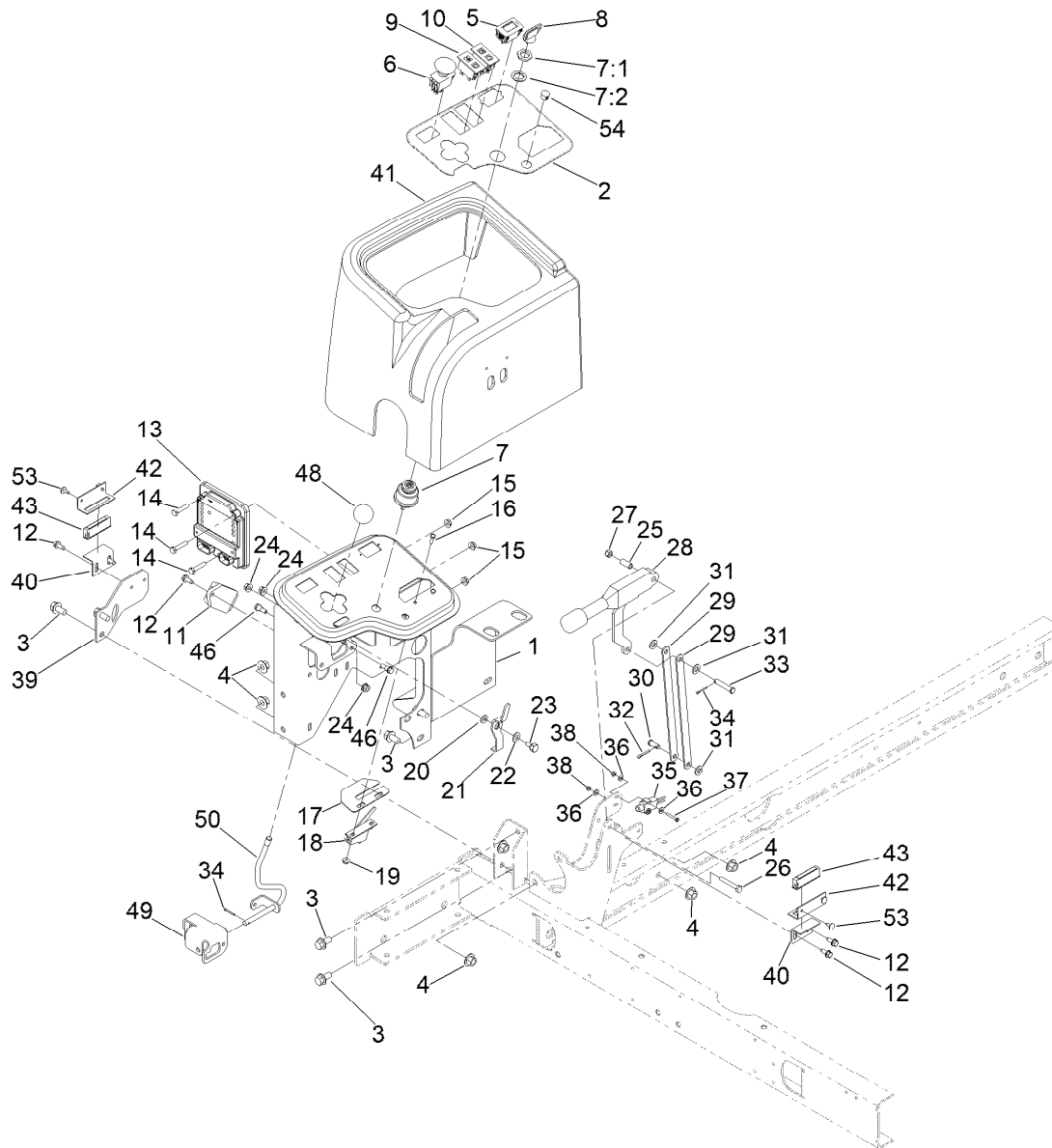
● Not illustrated



Fuel System Assembly (continued)

<i>Ref.</i>	<i>Part Number</i>	<i>Qty.</i>	<i>Description</i>	<i>Ref.</i>	<i>Part Number</i>	<i>Qty.</i>	<i>Description</i>
37	110-5701	1	Hose-Fuel	40	98-7612	1	Filter-Fuel
38	110-8751	1	Hose-Fuel	42	3290-378	1	Tie-Cable ●
39	3290-379	1	Tie-Cable ●				

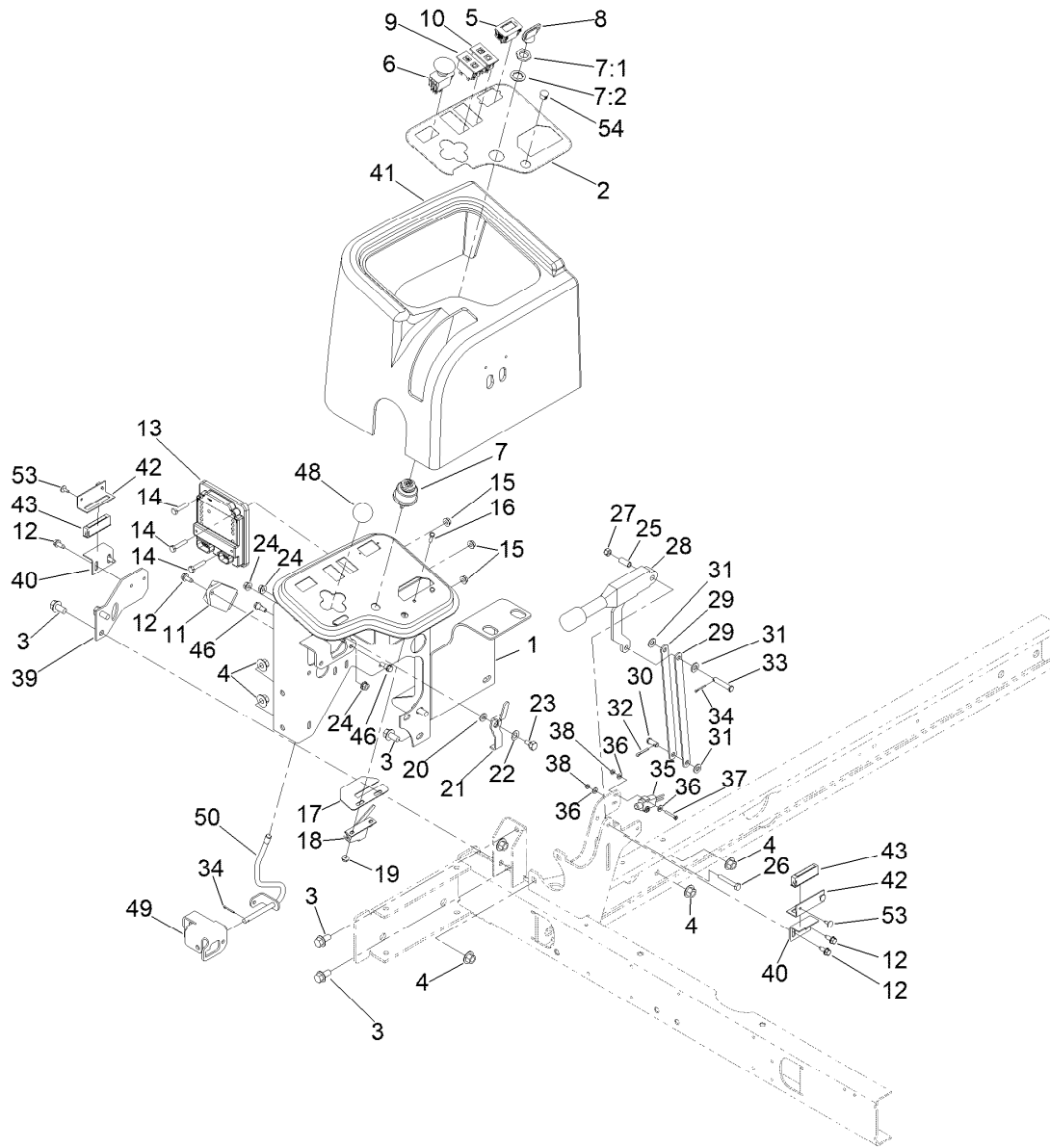
● Not illustrated



Control Panel Assembly

Ref.	Part Number	Qty.	Description	Ref.	Part Number	Qty.	Description
1	136-3681-03	1	Panel-Control	17	104-0421	1	Plate-Stop, Throttle
2	136-3679	1	Decal-Console	18	138-1224	1	Cable-Throttle
3	3234-1	6	Screw-HHF	19	3290-148	2	Nut-HF
4	32128-43	6	Nut-Flange	20	3256-22	1	Washer-Flat
5	120-2244	1	Hourmeter	21	99-3401	1	Lever-Lock
6	93-9999	1	Switch-PTO	22	3290-477	1	Washer-Curved
7	104-2541	1	Ignition Switch ASM	23	63-3410	1	Screw-Shoulder
7:1	218-461	1	Nut-HH	24	32128-32	3	Nut-HHF
7:2	3254-5	1	Washer-Lock	25	87-4710	1	Spacer-Brake, Parking
8	63-8360	2	Key-Ignition	26	321-10	1	Screw-HH
9	100-8070	1	Lamp-Warning	27	3296-42	1	Nut-Lock, NI
10	100-8071	1	Lamp-Warning	28	104-4817	1	Lever-Brake
11	98-7611	1	Controller-Glow	29	104-4628	2	Link-Brake, Parking
12	32144-10	5	Screw-HWH	30	283-62	1	Pin-Clevis
13	106-9277	1	Module-Control, Standard	31	3256-23	3	Washer-Plain
14	321-8	3	Screw-HH	32	3272-10	1	Pin-Cotter
15	32128-33	3	Nut-HF	33	94-3829	1	Pin-Clevis
16	3290-134	2	Screw	34	3272-6	2	Pin-Cotter

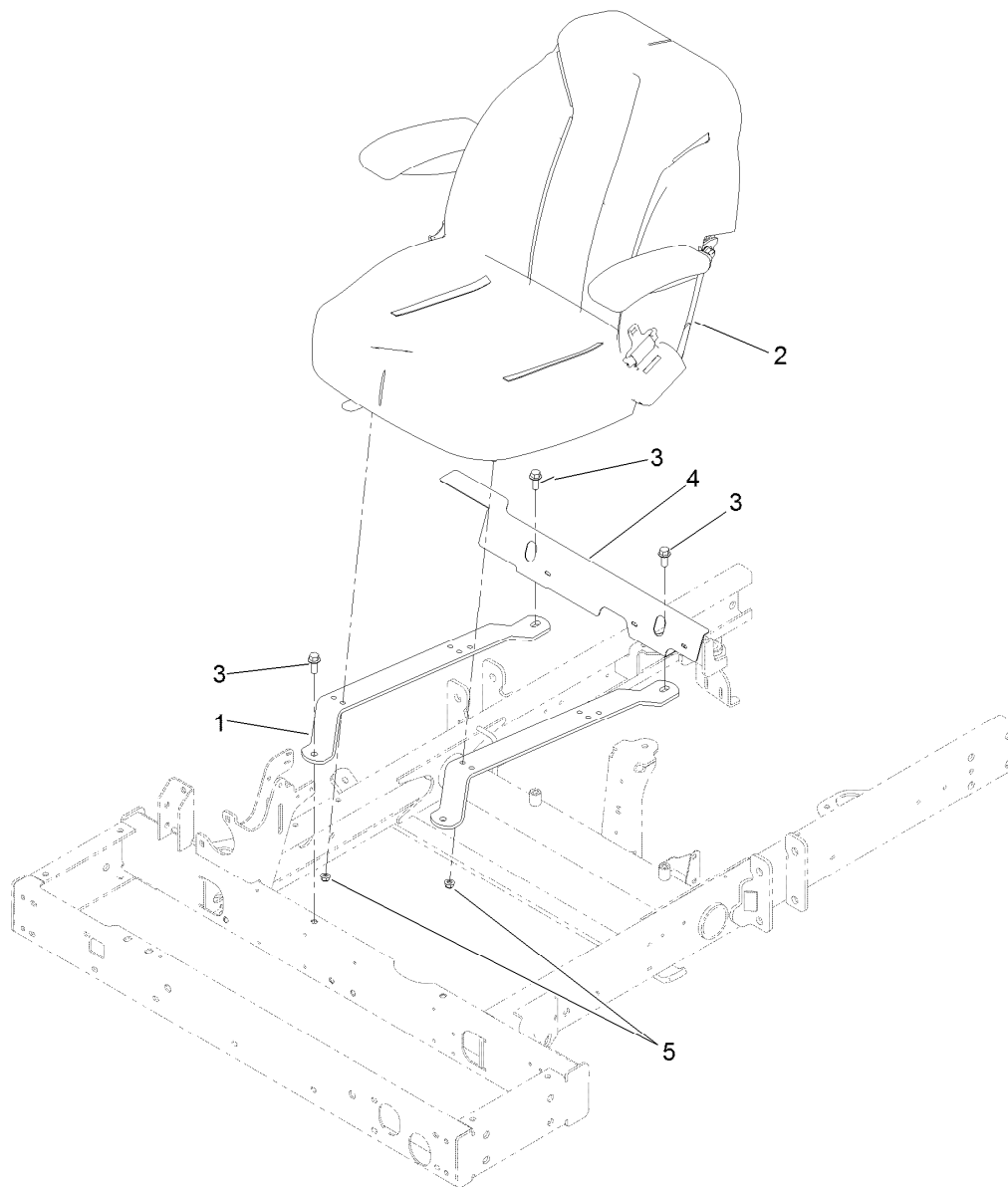
● Not illustrated



Control Panel Assembly (continued)

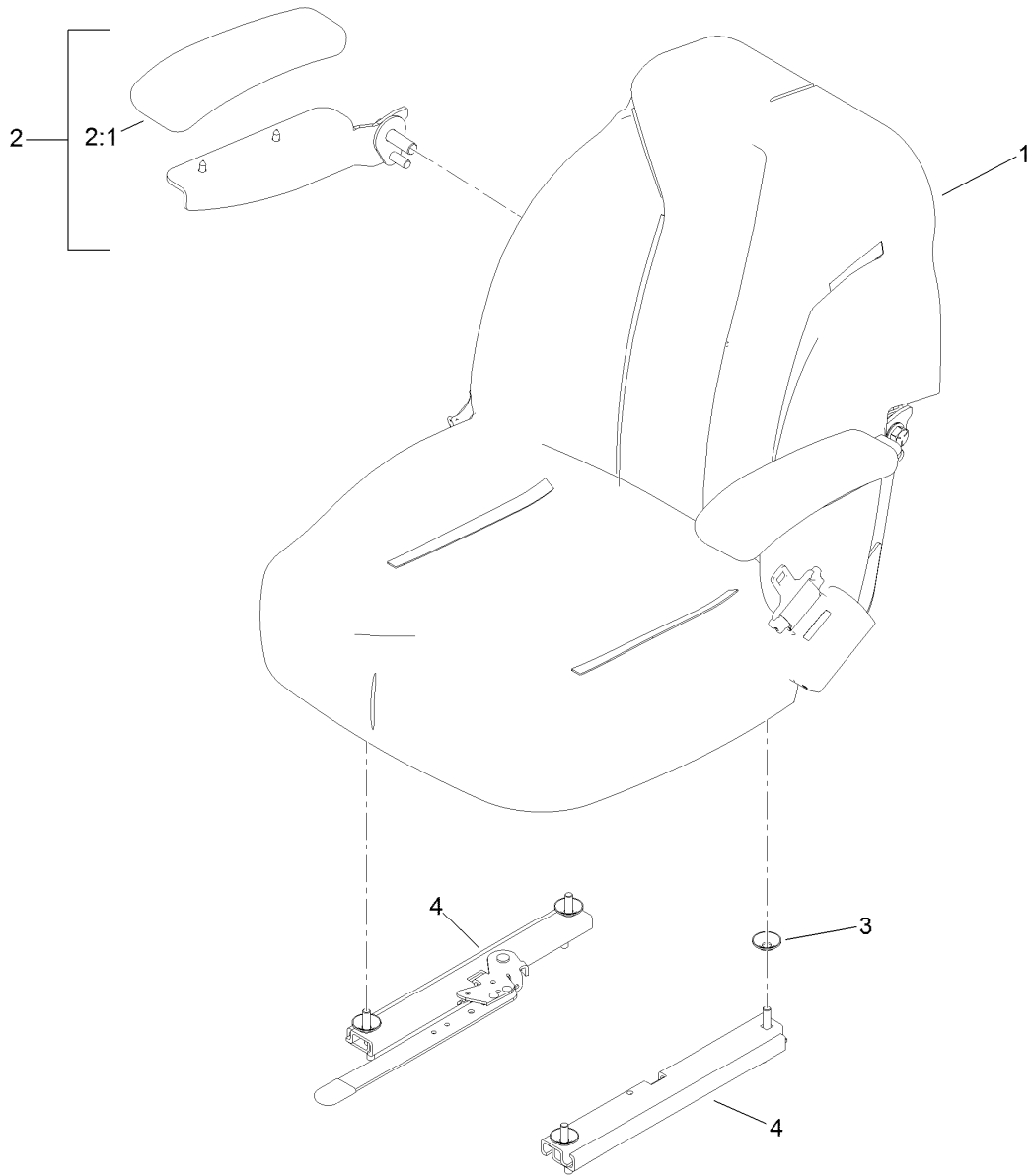
Ref.	Part Number	Qty.	Description	Ref.	Part Number	Qty.	Description
35	95-8900	1	Switch	46	42-3560	2	Bolt-Shoulder
36	3256-21	4	Washer-Flat	48	233-42	1	Knob
37	32105-9	2	Screw-HH	49	95-8633	1	Bracket-Valve, Actuator
38	3296-9	2	Nut-Hex	50	95-8635	1	Lever-Valve
39	95-8764-0P	1	Support-Magnet	53	3269-5	4	Rivet-Pop
40	95-8765	2	Bracket-Strike, Magnet	54	2410-64	1	Plug-Button
41	95-8707	1	Cover-Dash	56	3290-378	1	Tie-Cable ●
42	95-8763	2	Bracket-Hold Down, Cover	57	3290-379	1	Tie-Cable ●
43	58-4250	2	Catch-Magnetic				

● Not illustrated



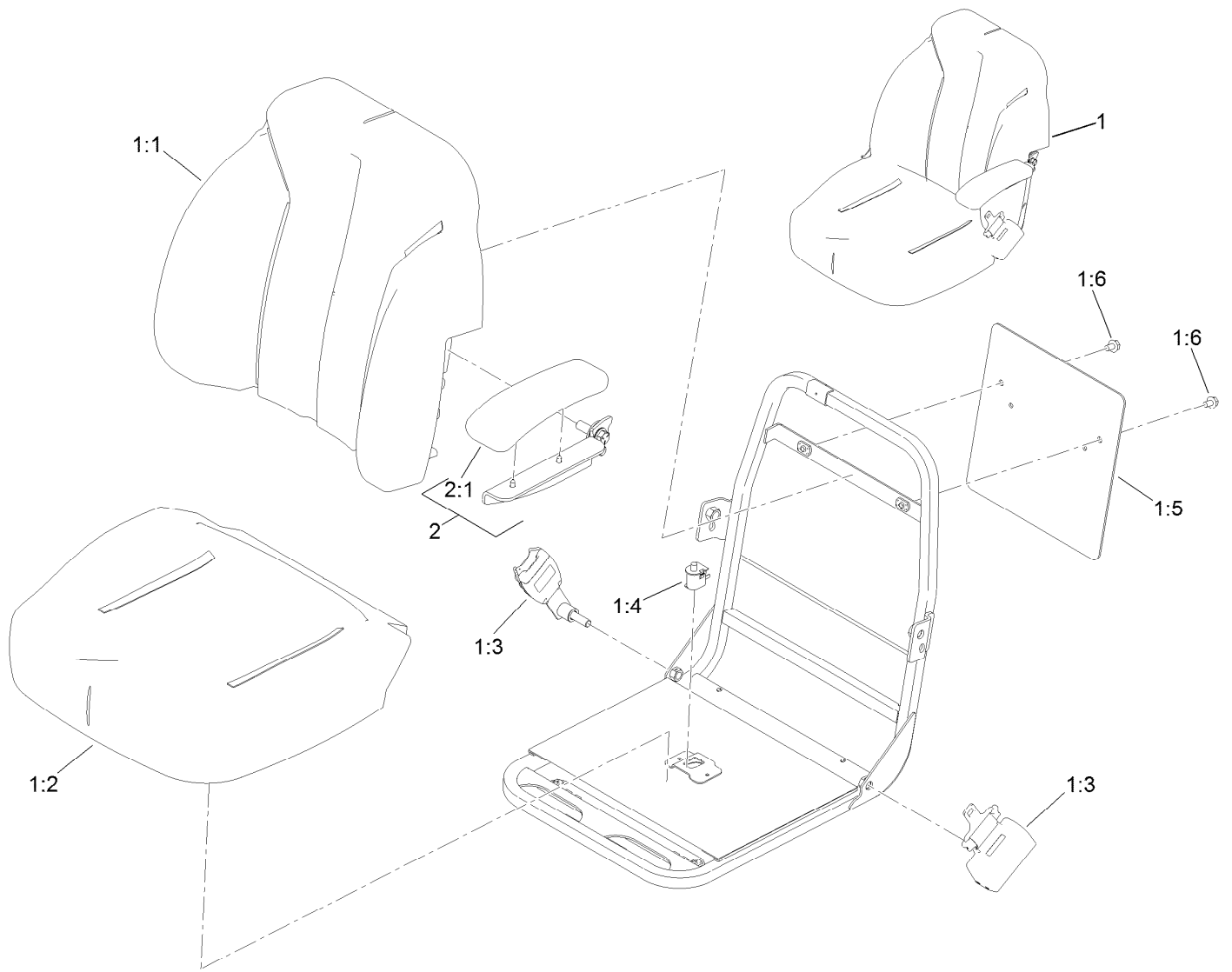
Seat Assembly

<i>Ref.</i>	<i>Part Number</i>	<i>Qty.</i>	<i>Description</i>
1	121-3665-03	2	Strap-Support, Seat
2	139-2679	1	Seat And Track ASM
3	3234-11	4	Screw-HHF
4	104-4833-03	1	Shield-Heat
5	104-8300	4	Nut-HF, NI



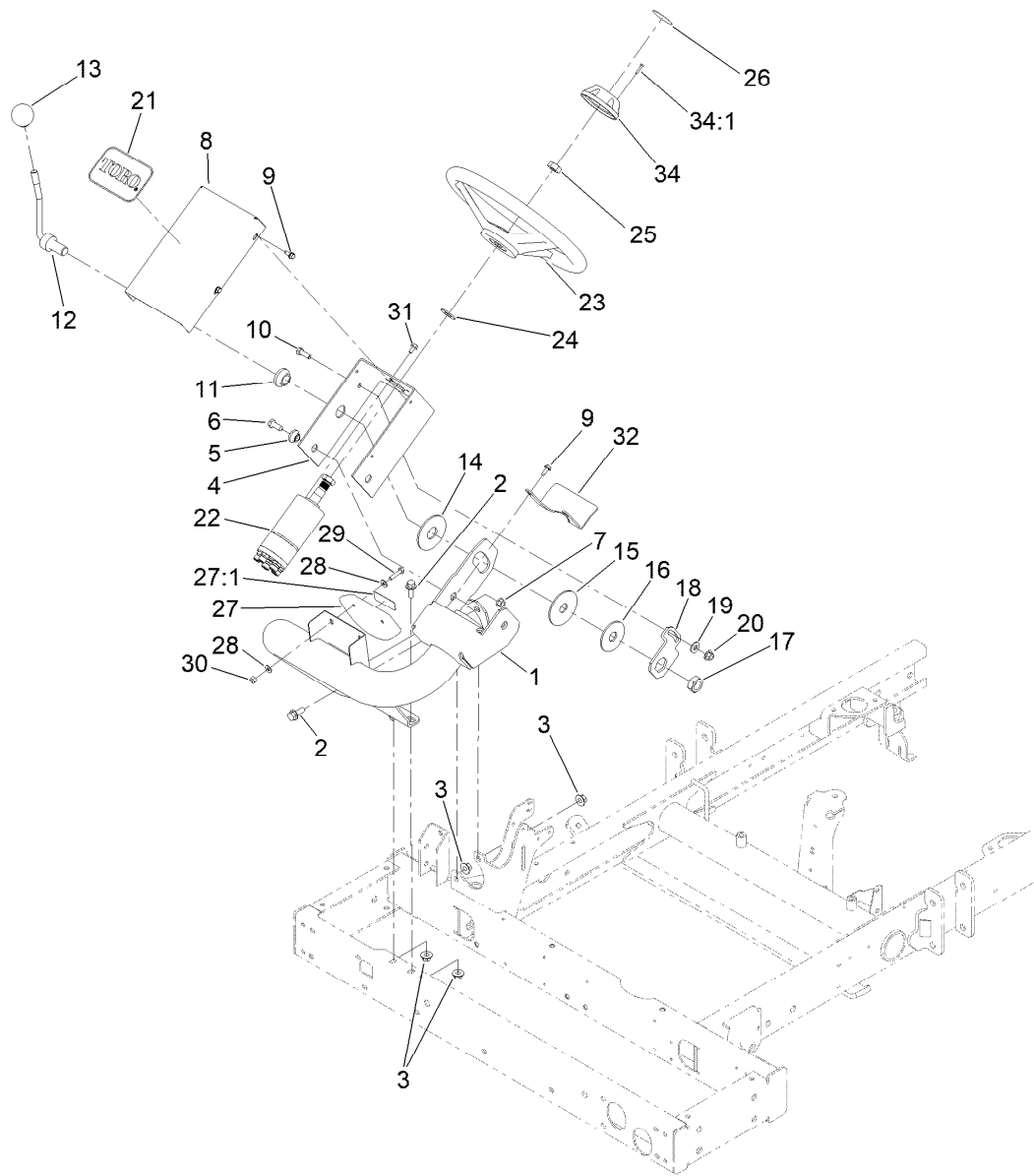
Seat and Track Assembly No. 139-2679

<i>Ref.</i>	<i>Part Number</i>	<i>Qty.</i>	<i>Description</i>
1	139-2700	1	Seat ASM
2	121-3658	1	RH Arm Rest Kit
2:1	110-4163	1	Cushion-Rest, Arm
3	136-9002	4	Spacer-Mounting
4	126-2177	1	Track-Seat



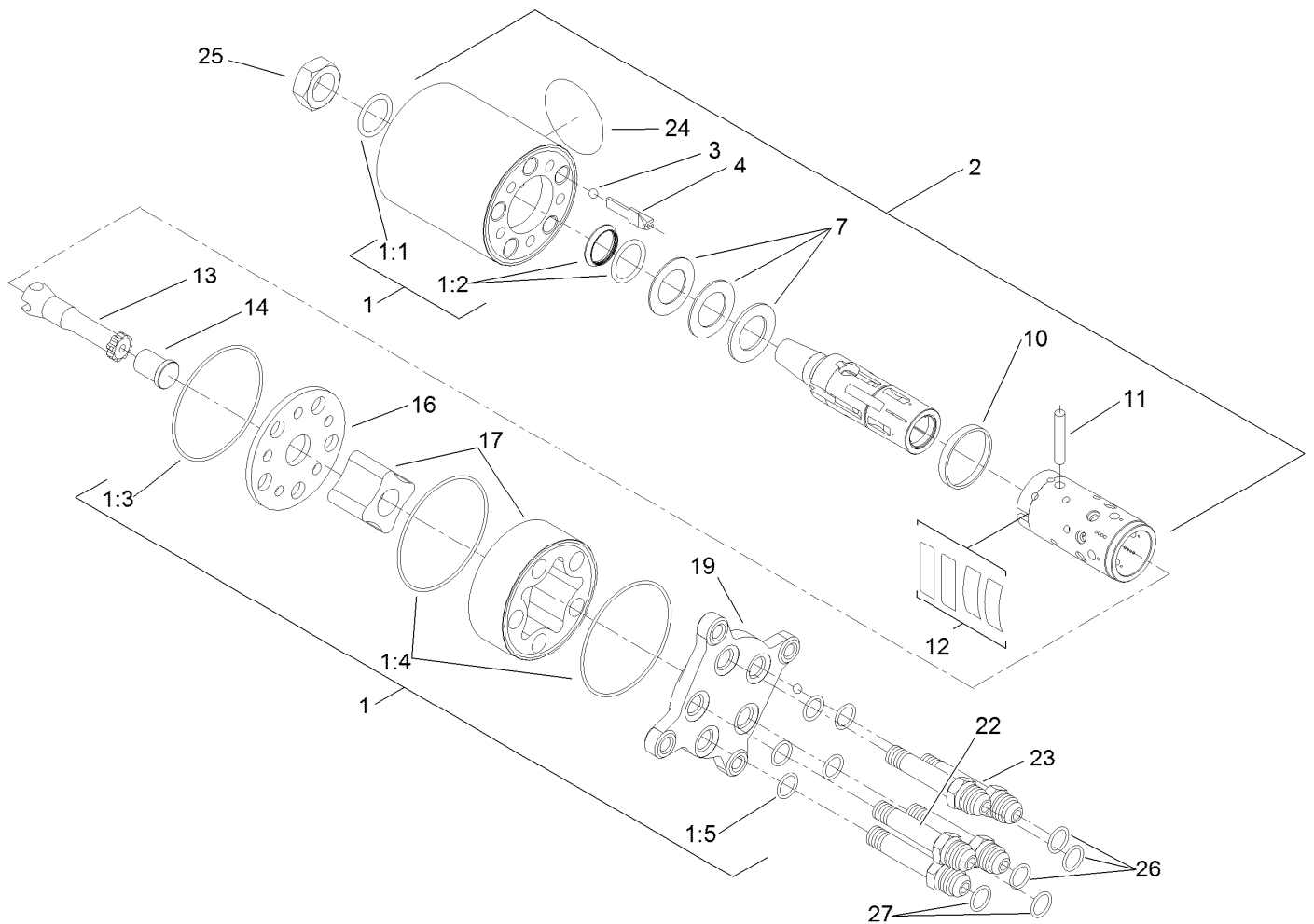
Seat Assembly No. 139-2700

<i>Ref.</i>	<i>Part Number</i>	<i>Qty.</i>	<i>Description</i>
1	139-2680	1	Seat ASM
1:1	145-0083	1	Cover-Seat, Back
1:2	145-0084	1	Cover-Seat, Bottom
1:3	139-2707	1	Seat Belt Kit
1:4	82-2190	1	Switch-Bail
1:5	139-2701	1	Plate-Decal
1:6	3234-30	2	Screw-HHF
2	121-3660	1	LH Arm Rest Kit
2:1	110-4163	1	Cushion-Rest, Arm



Steering Column Assembly

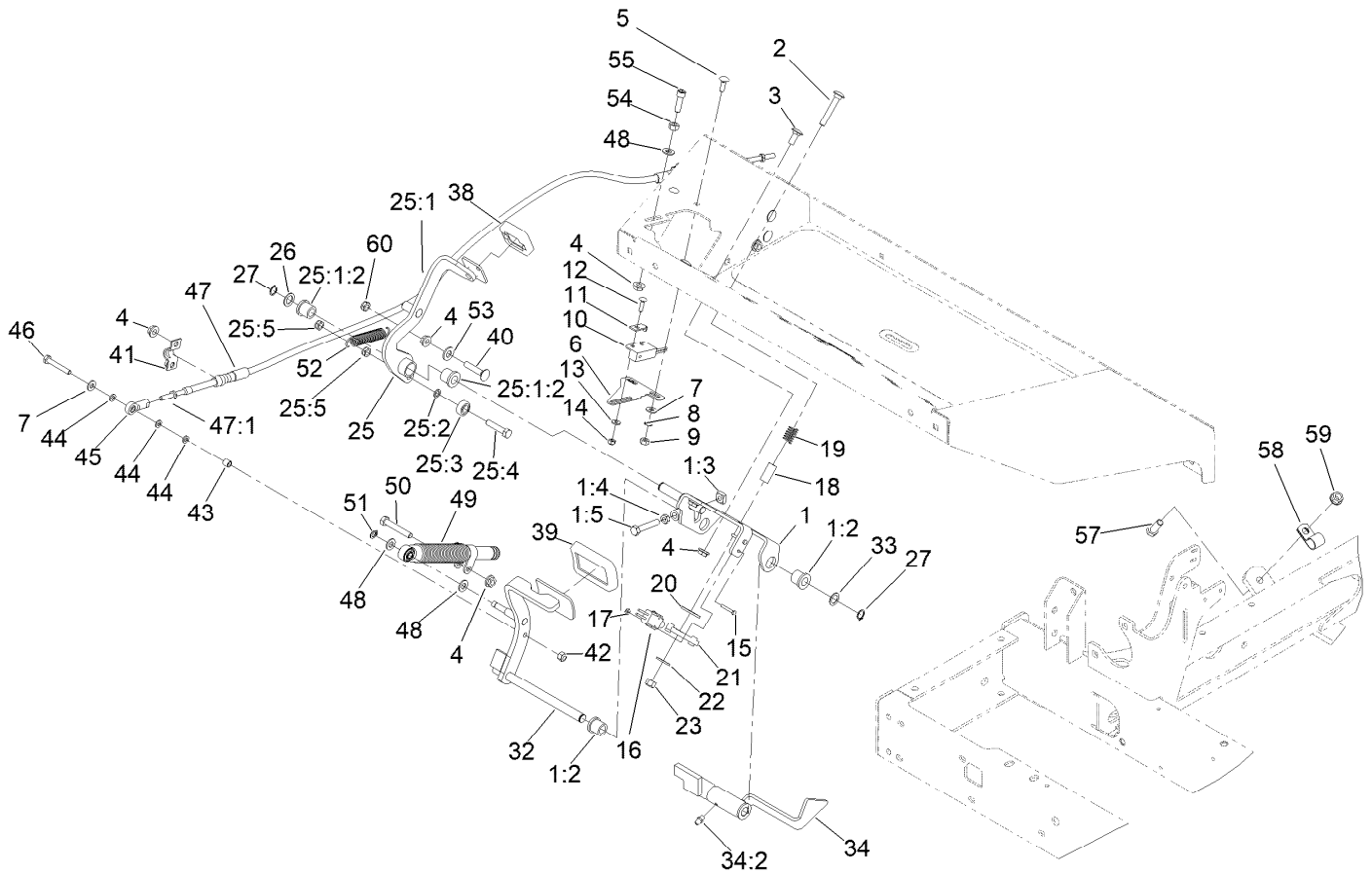
<i>Ref.</i>	<i>Part Number</i>	<i>Qty.</i>	<i>Description</i>	<i>Ref.</i>	<i>Part Number</i>	<i>Qty.</i>	<i>Description</i>
1	105-8536-01	1	Arm-Steering	19	3256-3	1	Washer-Flat
2	3234-11	4	Screw-HHF	20	32128-44	1	Nut
3	32128-43	4	Nut-Flange	21	67-1300	1	Decal
4	104-5185-01	1	Bracket-Valve, Steering	22	121-7856	1	Steering Valve ASM
5	93-5988	2	Hub-Pivot	23	145-0051	1	Steering Wheel
6	323-5	2	Screw-HH	24	3256-27	1	Washer-Flat
7	32128-21	2	Nut-HF Lock	25	3296-33	1	Nut-Lock, NI
8	95-8794-01	1	Cover-Valve, Steering	26	68-5370	1	Decal
9	32144-10	5	Screw-HWH	27	100-4929	1	Slope Indicator ASM
10	322-5	1	Screw-HH	27:1	121-3598	1	Decal-Danger, 17 Degree
11	99-3502	1	Boss	27:1	121-3628	1	Decal-Angle
12	95-8798-03	1	Lever-Steering	28	3256-22	4	Washer-Flat
13	233-48	1	Knob	29	321-7	2	Screw-HH
14	31-0390	1	Disc-Friction	30	3296-42	2	Nut-Lock, NI
15	82-9010	1	Disc-Friction	31	33103-012	4	Screw-HHF
16	80-2930	1	Washer-Flat	32	99-3405-01	1	Shield-Steering
17	3218-7	1	Nut-Jam	34	68-5140	1	Cap-Wheel, Steering
18	80-2880	1	Bracket-Tilt	34:1	32144-21	1	Screw



Steering Valve Assembly No. 121-7856

Ref.	Part Number	Qty.	Description	Ref.	Part Number	Qty.	Description
1	106-6716	1	Seal Kit	12		1	Springs ●
1:1		1	Ring-Seal, Dust ●	13		1	Shaft ●
1:2		1	Seal-Shaft ●	14		1	Spacer ●
1:3		1	O-Ring ●	16		1	Plate-Distributor ●
1:4		2	O-Ring ●	17		1	Gearwheel Set ●
1:5		5	O-Ring ●	19		1	Cover-End ●
2		1	Housing ●	22		1	Screw-Special ●
3		1	Ball ●	23		4	Screw-Special ●
4		1	Stop-Ball ●	24		1	Plate-Name ●
7		1	Bearing ASM ●	25	3296-33	1	Nut-Lock, NI
10		1	Ring ●	26	237-22	3	O-Ring
11		1	Pin-Cross ●	27	237-21	2	O-Ring

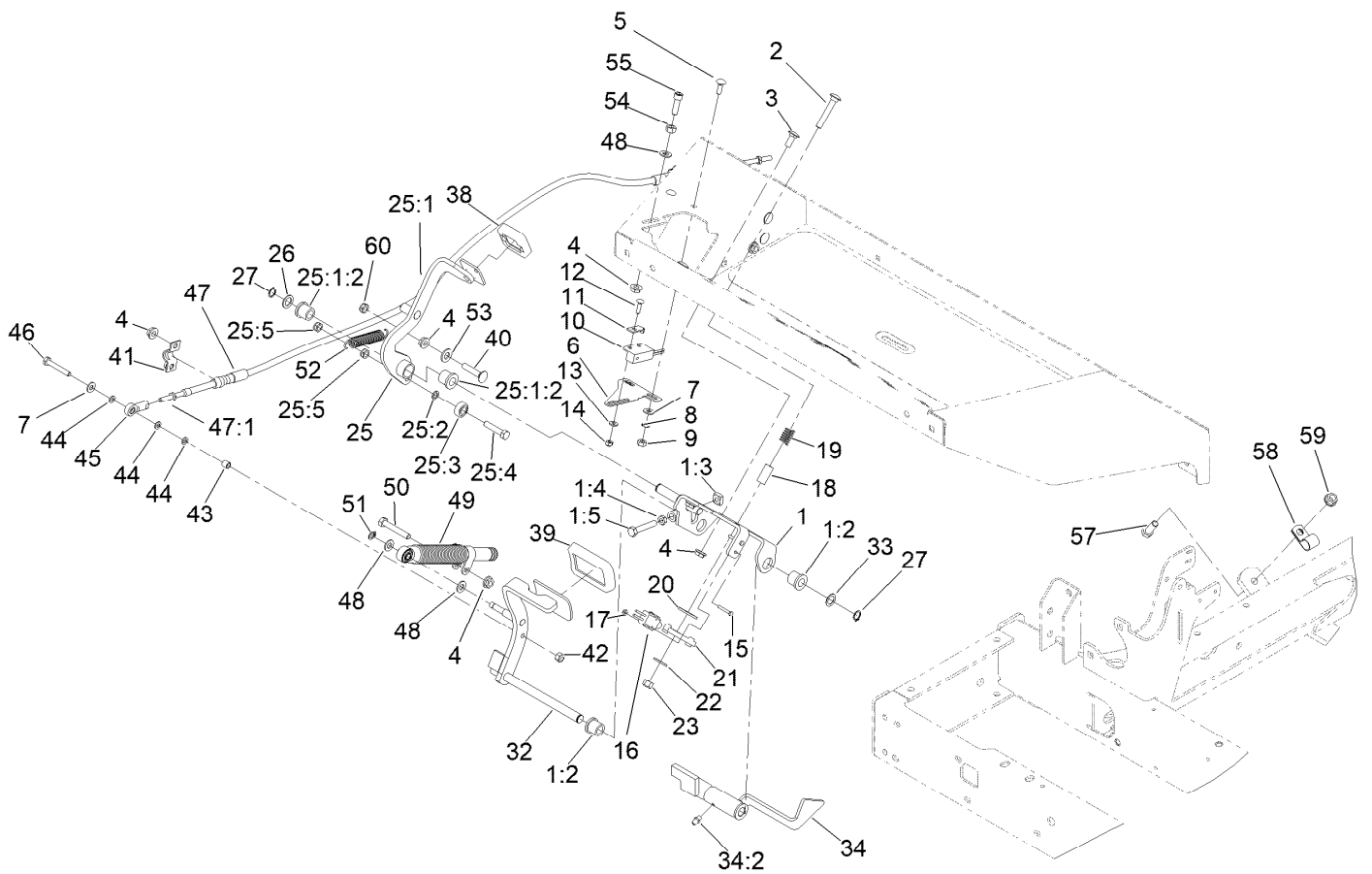
● Not serviced separately



Pedal Assembly

Ref.	Part Number	Qty.	Description	Ref.	Part Number	Qty.	Description
1	140-6253	1	Traction Bracket ASM	15	32105-9	2	Screw-HH
1:2	256-243	2	Bearing-Flange	16	95-8900	1	Switch
1:3	99-3565	1	Nut-Square	17	3296-9	2	Nut-Hex
1:4	3218-2	1	Nut-Hex Jam	18	95-8866	1	Tube-Arm, Rocker
1:5	322-41	1	Bolt-Hex,TAP	19	65-9940	1	Spring
2	3230-6	1	Bolt-CARR	20	87-7270	1	Washer-Thrust
3	3230-23	4	Bolt-CARR	21	99-3593	1	Arm-Rocker
4	32128-20	8	Nut-HF	22	3256-3	1	Washer-Flat
5	3229-1	2	Screw-CARR	23	3296-29	1	Nut-Lock, NI
6	100-4871	1	Bracket-Switch, Neutral	25	140-6251	1	Reverse Pedal ASM
7	3256-22	3	Washer-Flat	25:1		1	Reverse Pedal ASM W/Bushings ●
8	3255-7	2	Washer-Lock/EXT	25:1:2	256-243	2	Bearing-Flange
9	3217-5	2	Nut-Hex	25:2	75-5470	1	Spacer-Bearing
10	100-1270	1	Switch-Proximity	25:3	251-259	1	Bearing-Ball
11	100-4872	1	Plate-Switch, Neutral	25:4	322-7	1	Screw-HH
12	3229-20	1	Screw-CARR	25:5	3296-47	2	Nut-Lock,NI
13	3256-14	1	Washer-Flat	26	41-8440	1	Washer
14	3296-2	1	Nut-Lock, NI				

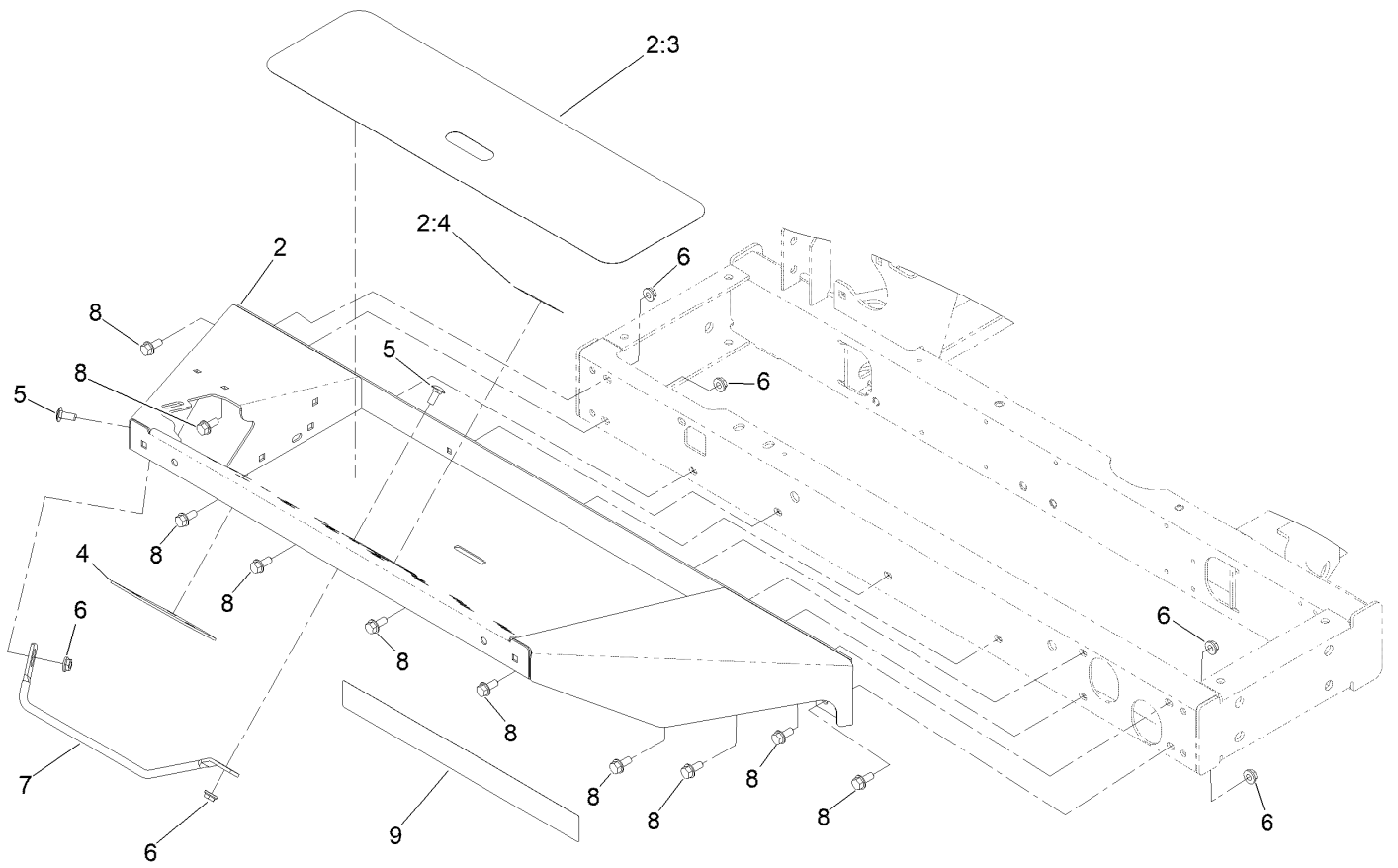
● Not serviced separately



Pedal Assembly (continued)

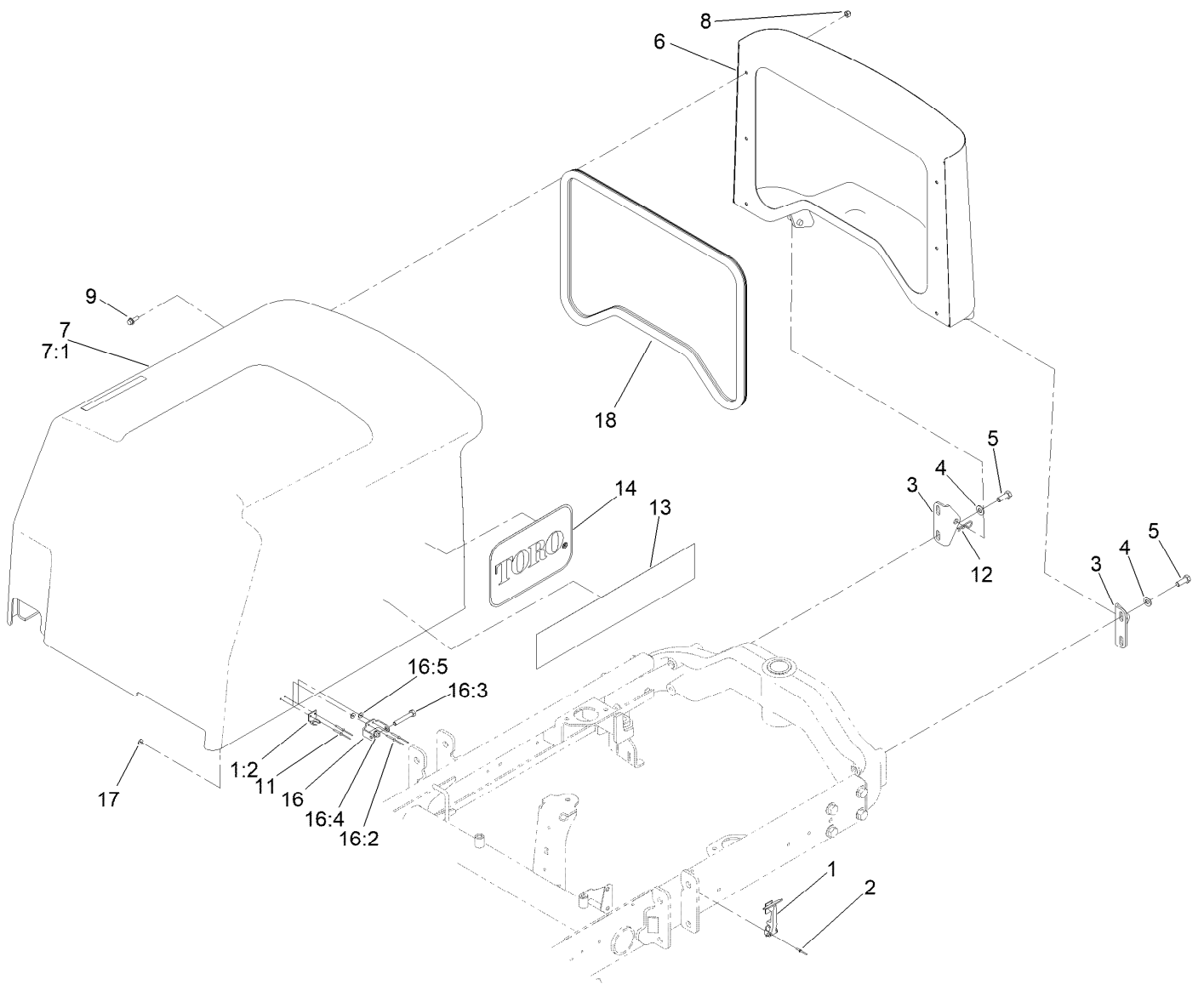
Ref.	Part Number	Qty.	Description	Ref.	Part Number	Qty.	Description
27	32151-84	2	Ring-Shaft, EXT	47	100-4815	1	Cable-Control, Traction
32	140-6263	1	Traction Pedal ASM	47:1	3220-1	2	Nut-Jam
33	73-0040	1	Washer-Thrust	48	3256-23	3	Washer-Plain
34	140-6255	1	Detent Slider ASM	49	140-6248	1	Damper
34:2	302-5	1	Fitting-Grease	50	322-10	1	Screw-HH
38	74-9110	1	Pad-Pedal, Reverse	51	32151-3	1	Ring-Grip
39	74-9100	1	Pad-Pedal, Forward	52	99-3476	1	Spring-Extension
40	3230-27	1	Screw-CARR	53	3256-24	1	Washer-Plain
41	93-2092	1	Clamp-Cable	54	3217-6	1	Nut-Hex
42	3296-42	1	Nut-Lock, NI	55	3274-22	1	Screw-HSH
43	99-3545	1	Spacer	57	323-6	1	Screw-HH
44	33093-00	3	Washer-Flat	58	2412-41	1	Clamp-R
45	2411-41	1	Rod End-Ball Joint	59	3290-357	1	Nut-HSF
46	321-10	1	Screw-HH	60	3296-47	1	Nut-Lock,NI

● Not serviced separately



Floor Plate Assembly

<i>Ref.</i>	<i>Part Number</i>	<i>Qty.</i>	<i>Description</i>
2	106-4154	1	Floorplate ASM
2:3	99-3478	1	Tread-Foot
2:4	99-3444	1	Decal-Mow / Transport
4	106-2661-0P	1	Plate-Support
5	3230-23	2	Bolt-CARR
6	32128-20	12	Nut-HF
7	95-8893	1	Bar-Deflector
8	3234-5	10	Screw-HHF
9	99-3388	1	Decal

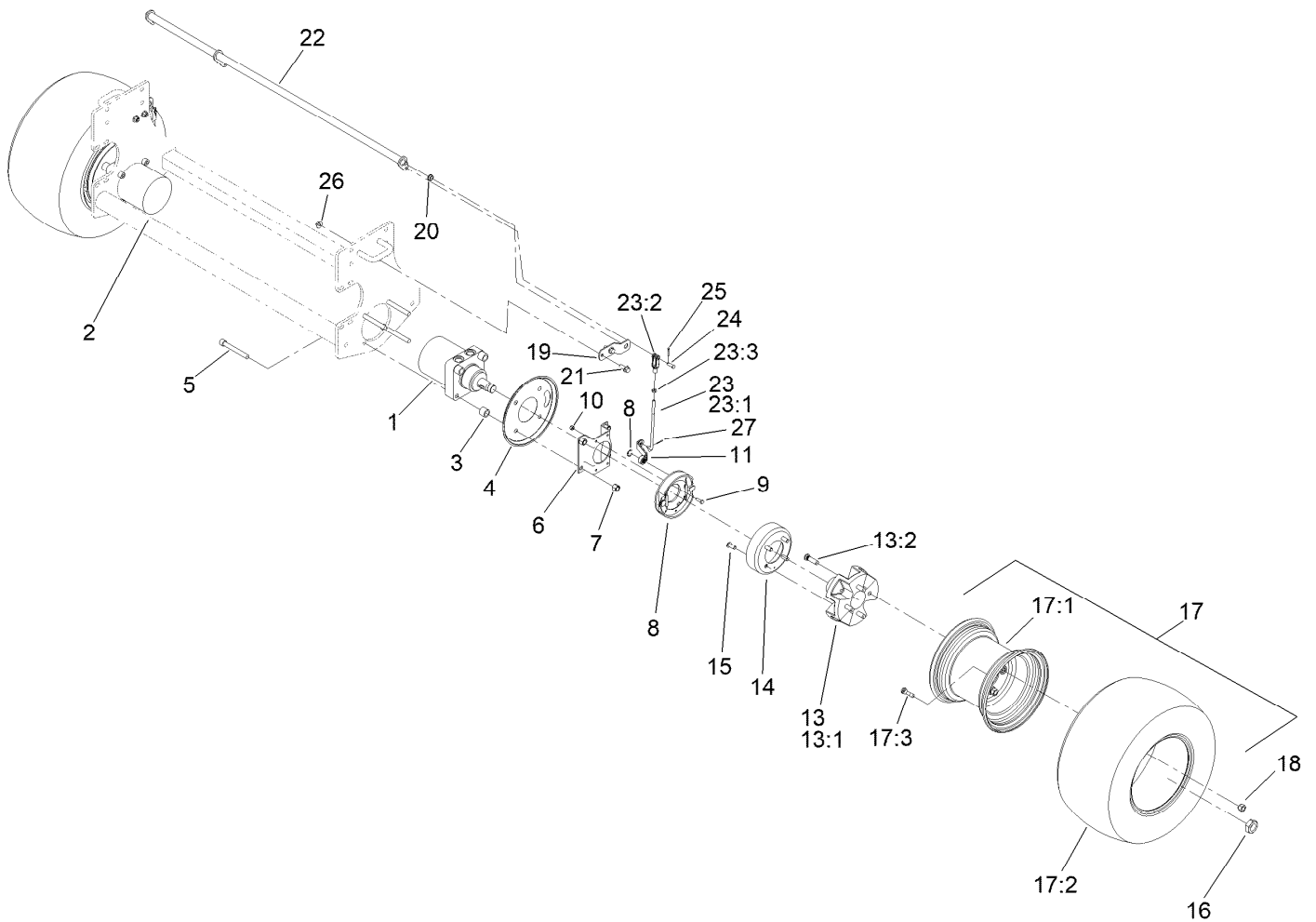


Hood Assembly

Ref.	Part Number	Qty.	Description	Ref.	Part Number	Qty.	Description
1	59-9740	2	Flex Draw Latch ASM	11	107-0333	4	Rivet-Pop
1:2	249-40	1	Keeper	12	3290-467	1	Pin-Hair
2	3290-55	4	Rivet-Pop	13	104-5153	2	Decal-Hood
3	95-8728	2	Bracket-Pivot, Hood	14	66-6140	2	Decal
4	3256-24	4	Washer-Plain	16	119-2004	1	CE Latch Kit
5	323-6	4	Screw-HH	16:2	107-0333	2	Rivet-Pop
6	95-8724-03	1	Screen-Hood	16:3	322-10	1	Screw-HH
7	121-3633	1	Hood ASM	16:4	3296-47	1	Nut-Lock,NI
7:1		1	Hood ■	16:5	3269-10	2	Washer-Back
7:1:1	106-8114	1	Heat Tape Repair Kit ●	17	3269-10	4	Washer-Back
8	3296-42	6	Nut-Lock, NI	18	95-8809	1	Trim-Seal
9	3234-4	6	Screw-HHF				

● Not illustrated

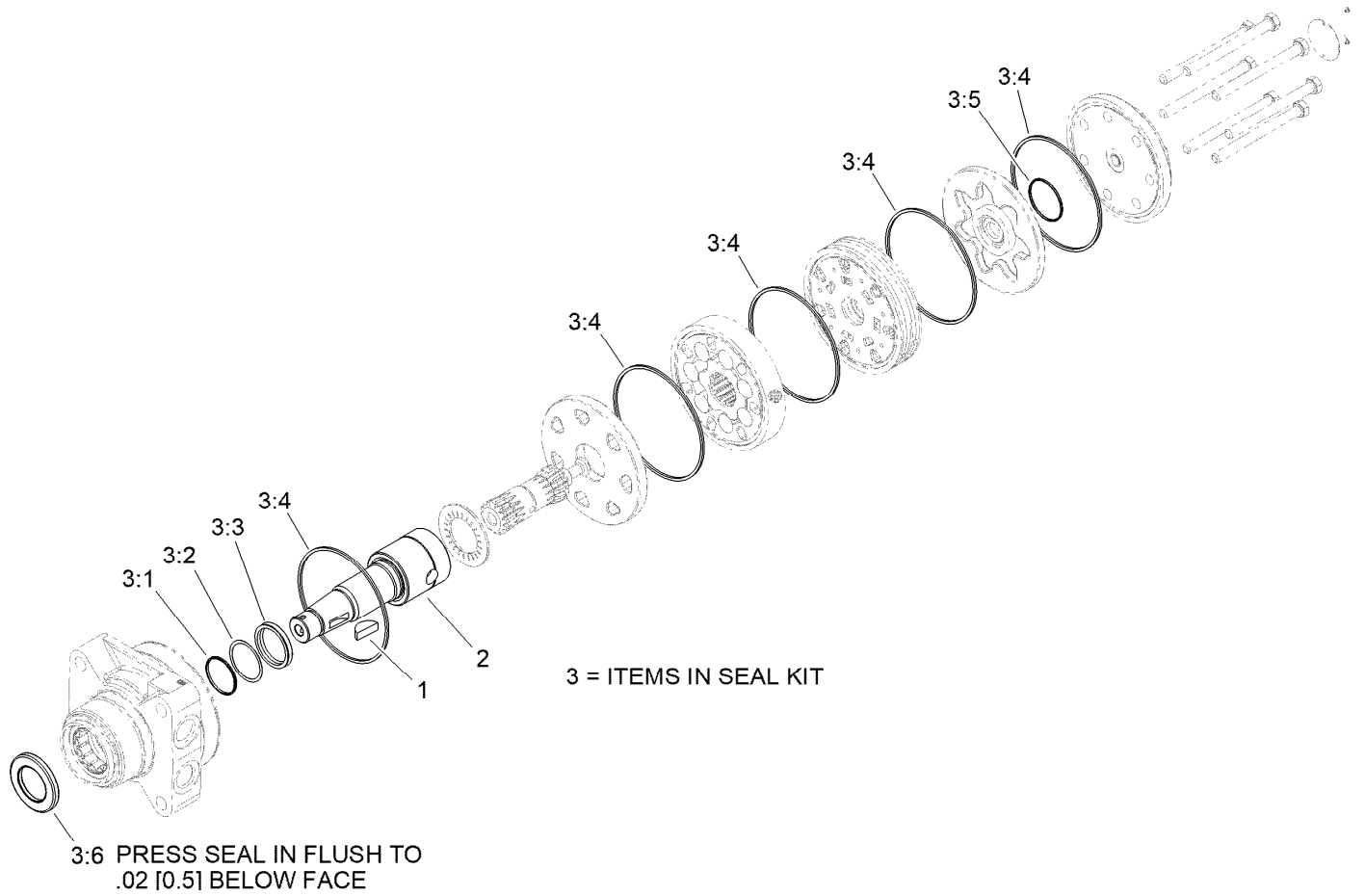
■ Not serviced separately



Hydraulic Drive and Wheel Assembly

Ref.	Part Number	Qty.	Description	Ref.	Part Number	Qty.	Description
1	110-8785	1	HYD Motor ASM (CCW)	17		2	Tire And Rim ASM ●
2	110-8786	1	HYD Motor ASM (CW)	17:1	121-3548	1	Rim
3	119-8238	8	Spacer-Deck Pulley	17:2	117-5125	1	Tire
4	104-0485-0P	2	Shield-Wheel	17:3	232-27	1	Stem-Valve
5	3274-99	8	Screw-HSH	18	242-50	8	Nut-Lug
6	147-3595	2	Bracket-Brake	19	95-8683	2	Bracket-Pivot, Brake
7	3296-23	8	Nut-Lock, NI	20	256-156	2	Bushing-Flange
8	104-7705	2	Brake ASM	21	3234-11	4	Screw-HHF
9	321-5	8	Screw-HH	22	104-4625-03	1	Shaft-Pivot, Brake
10	3296-42	8	Nut-Lock, NI	23	115-6672	2	Brake Lever ASM
11	114-2726	2	Lever-Brake	23:1	104-4627	1	Rod-Adjusting
13		2	Wheel Hub/Stud ASM ●	23:2	1-303105	1	Yoke-Adjustable
13:1	104-0462	1	Hub-Wheel, Spacer	23:3	3220-2	1	Nut-Jam
13:2	10-6830	4	Stud-Type, Drive	24	283-1	2	Pin-Clevis
14	104-4809	2	Drum-Brake	25	3272-10	2	Pin-Cotter
15	3274-105	8	Screw-HSBH	26	32128-43	4	Nut-Flange
16	116-1399	2	Locknut	27	3272-6	2	Pin-Cotter

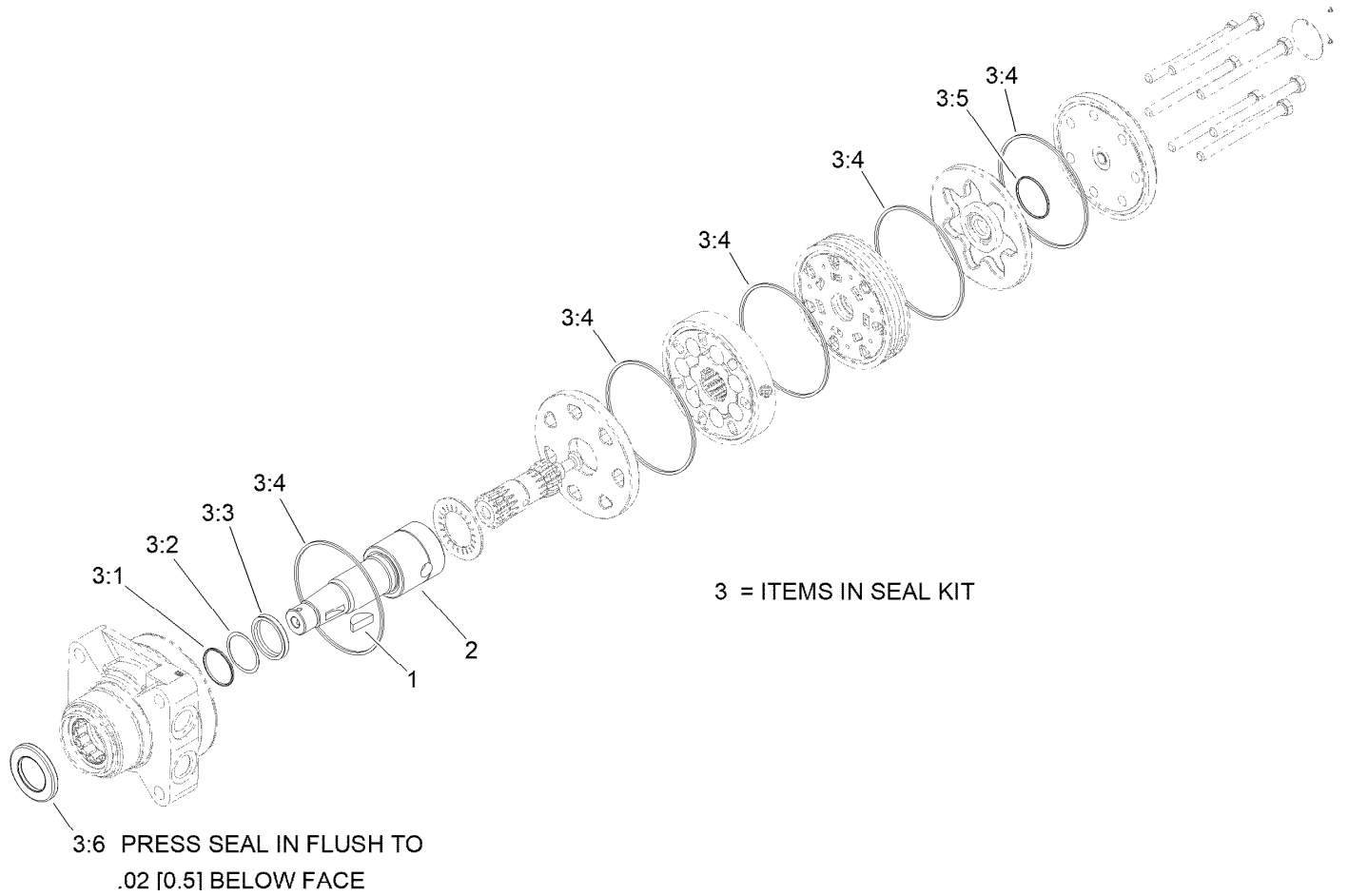
● Not serviced separately



Hydraulic Motor Assembly No. 110-8786

Ref.	Part Number	Qty.	Description
1	3257-42	1	Key-Woodruff
2	99-3090	1	Shaft-Coupling
3	100-6131	1	Seal Kit
3:1		1	Ring-Back Up ●
3:2		1	Washer-Back Up ●
3:3		1	Seal-Shaft ●
3:4		5	Seal-Ring ●
3:5		1	Seal-Commutator ●
3:6		1	Seal-Dirt And Water ●

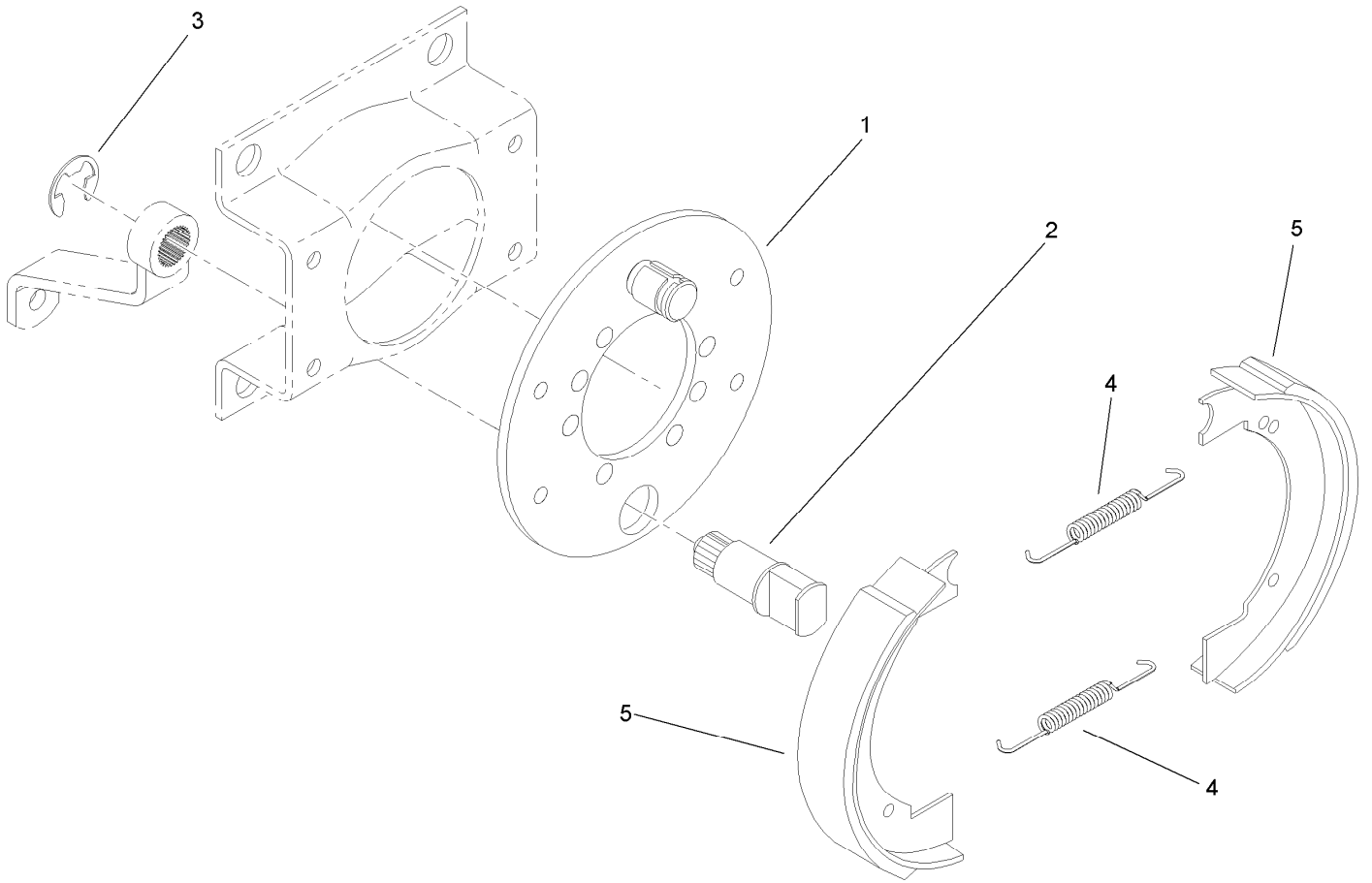
● Not serviced separately



Hydraulic Motor Assembly No. 110-8785

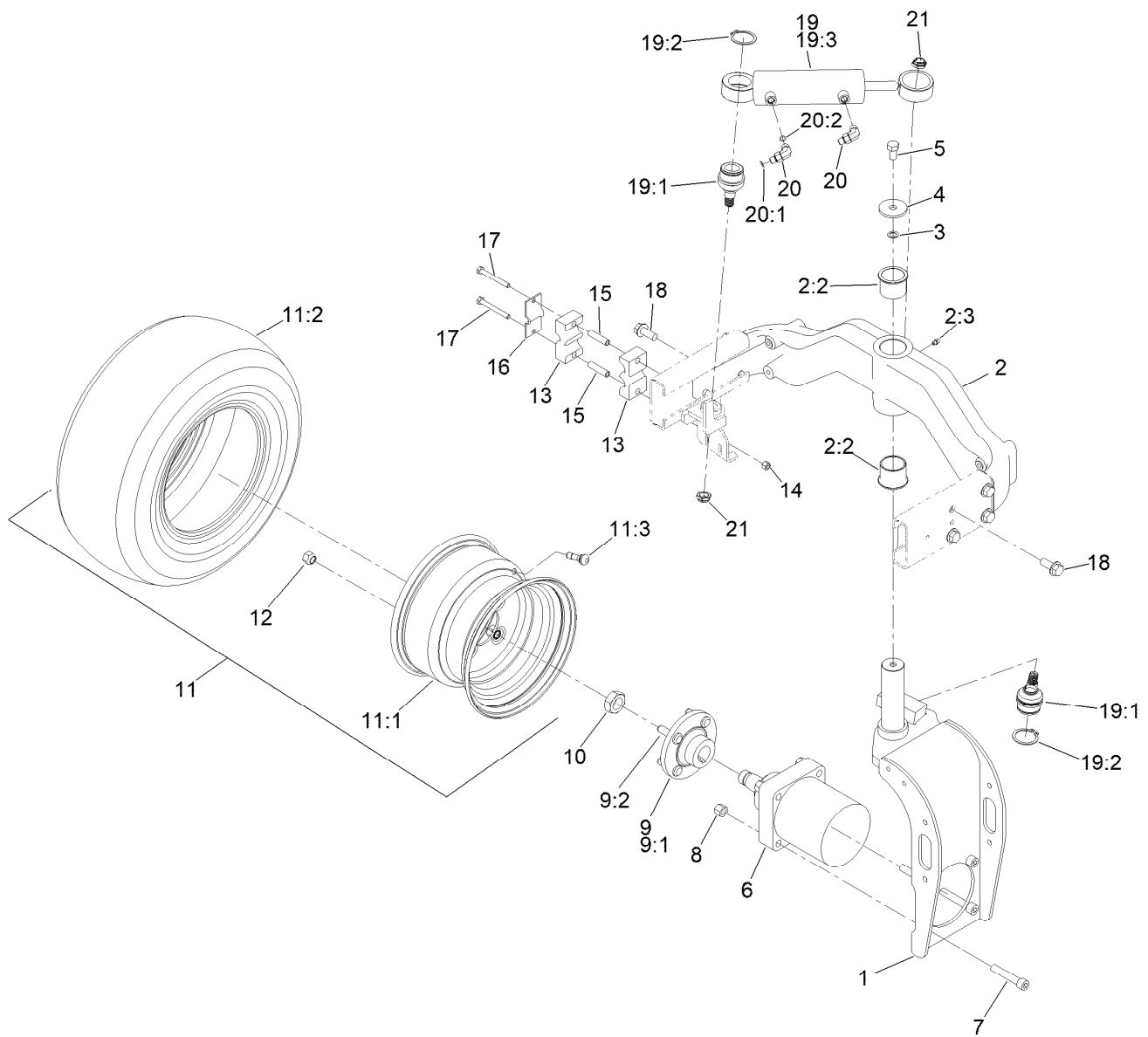
Ref.	Part Number	Qty.	Description
1	3257-42	1	Key-Woodruff
2	99-3090	1	Shaft-Coupling
3	100-6131	1	Seal Kit
3:1		1	Ring-Back Up ●
3:2		1	Washer-Back Up ●
3:3		1	Seal-Shaft ●
3:4		5	Seal-Ring ●
3:5		1	Seal-Commutator ●
3:6		1	Seal-Dirt And Water ●

● Not serviced separately



Brake Assembly No. 104-7705

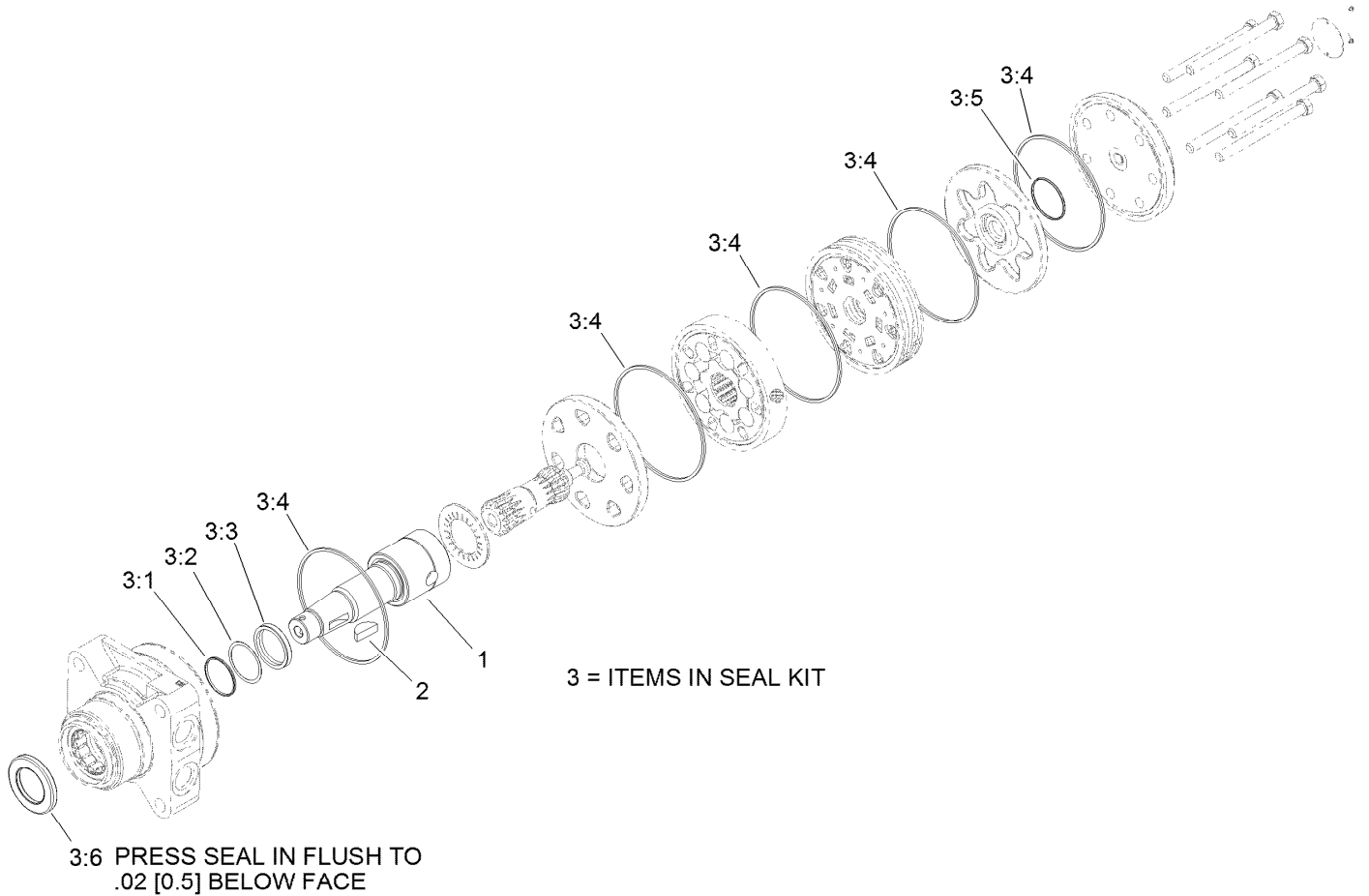
<i>Ref.</i>	<i>Part Number</i>	<i>Qty.</i>	<i>Description</i>
1	70-9870	1	Plate-Backing
2	104-7707	1	Shaft-Cam, Brake
3	104-7706	1	E-Ring, Bowed
4	70-9880	2	Spring-Return
5	70-9840	2	Shoe-Brake



Rear Fork and Tire Assembly

Ref.	Part Number	Qty.	Description	Ref.	Part Number	Qty.	Description
1	140-6293-01	1	Fork-Rear	11:3	232-27	1	Stem-Valve
2	127-8576	1	Rear Casting ASM	12	242-50	4	Nut-Lug
2:2	127-8572	2	Bushing-Flange	13	82-8170	2	Clamp
2:3	302-5	1	Fitting-Grease	14	3296-29	2	Nut-Lock, NI
3	3255-2	1	Washer-Lock, EXT	15	93-7960	2	Spacer
4	75-7730	1	Washer-Thrust	16	93-7961	1	Clamp-Drain, Case
5	325-3	1	Screw-HH	17	322-13	2	Screw-HH
6	95-8694	1	HYD Motor ASM	18	3234-38	8	Screw-HHF
7	3274-93	4	Screw-HSH	19		1	Steering Cylinder ASM ●
8	3296-23	4	Nut-Lock, NI	19:1	121-3605	2	Ball Joint
9	18-3209	1	Wheel Hub/Stud ASM	19:2	32151-104	2	Ring-Retaining, External
9:1	10-6870-03	1	Hub-Wheel	19:3	121-3653	1	Cylinder-HYD
9:2	10-6830	4	Stud-Type, Drive	20	340-132	2	Fitting-Elbow, 90 DEG
10	116-1399	1	Locknut	20:1	237-78	1	O-Ring
11		1	Wheel And Tire ASM ●	20:2	237-21	1	O-Ring
11:1	117-5129	1	Rim	21	121-3611	2	Nut-Hex, Flextop
11:2	115-1572	1	Tire				

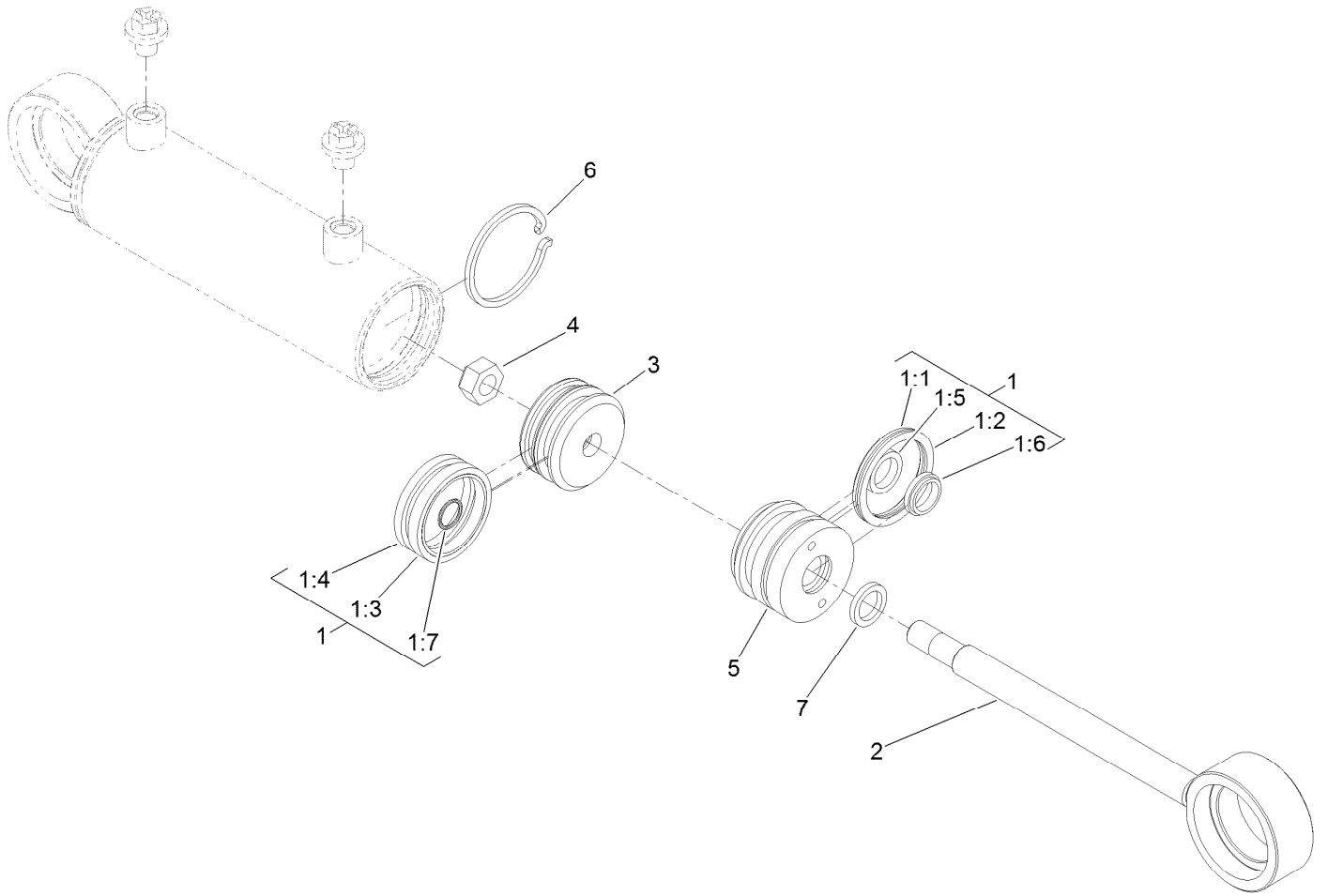
● Not serviced separately



Hydraulic Motor Assembly No. 95-8694

Ref.	Part Number	Qty.	Description
1	99-3090	1	Shaft-Coupling
2	3257-42	1	Key-Woodruff
3	100-6131	1	Seal Kit
3:1		1	Ring-Back Up ●
3:2		1	Washer-Back Up ●
3:3		1	Seal-Shaft ●
3:4		5	Seal-Ring ●
3:5		1	Seal-Commutator ●
3:6		1	Seal-Dirt And Water ●

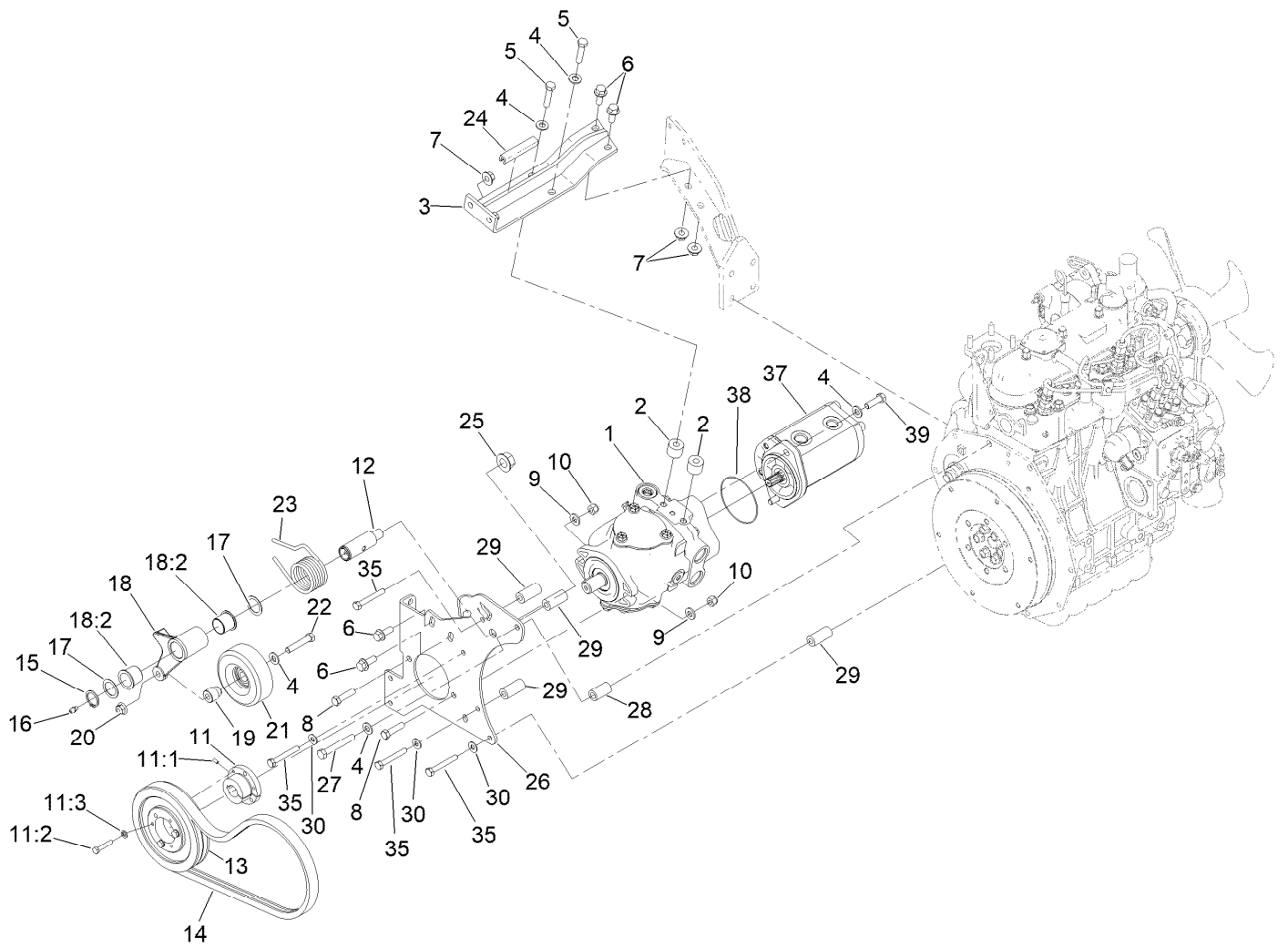
● Not serviced separately



Hydraulic Cylinder Assembly No. 121-3653

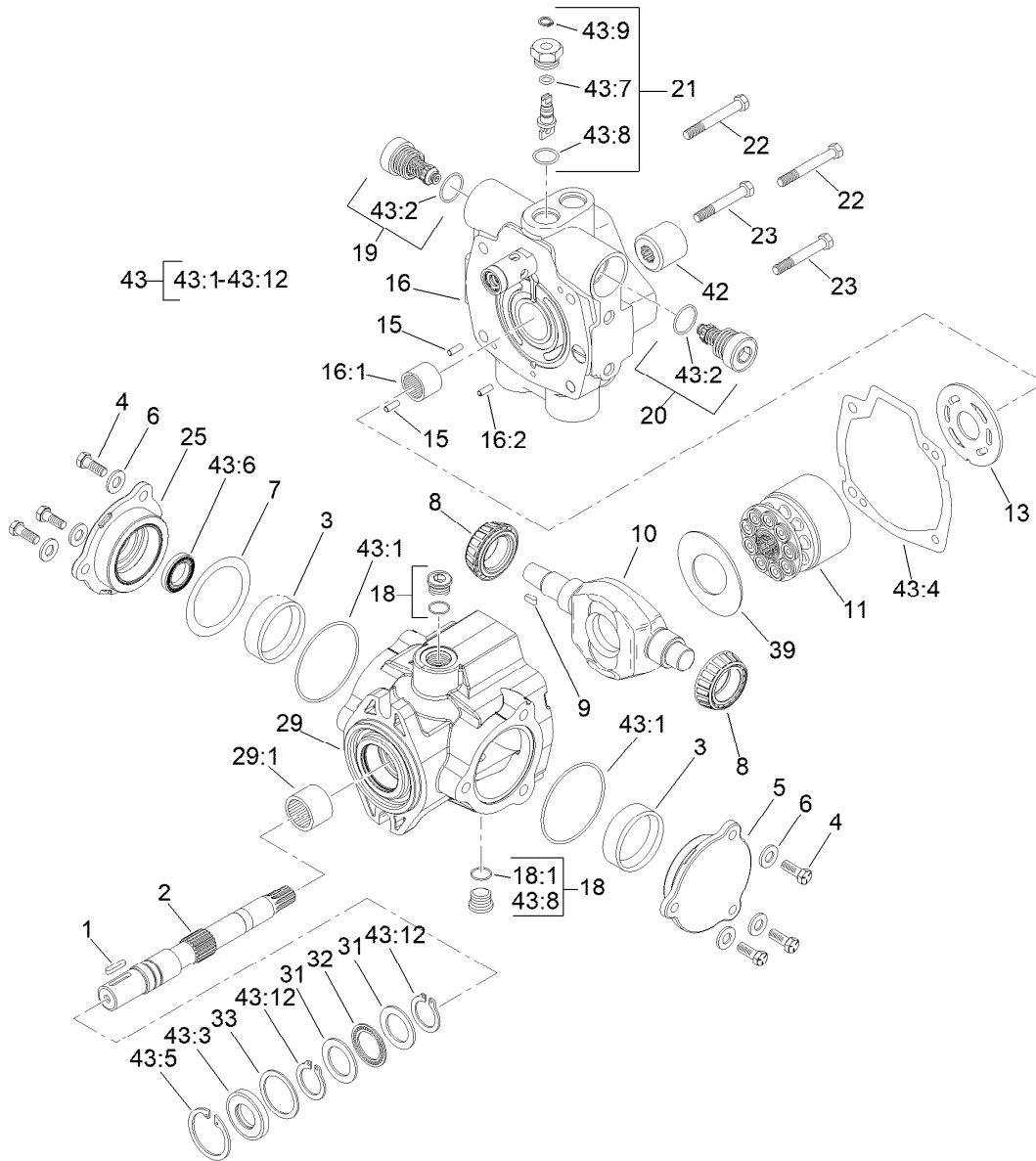
Ref.	Part Number	Qty.	Description
1	136-3278	1	Seal Kit
1:1		1	O-Ring ●
1:2		1	Backup ●
1:3		1	Psp Seal ●
1:4		1	Wear Ring ●
1:5		1	Bt Seal ●
1:6		1	Dust Seal ●
1:7		1	O-Ring ●
2		1	Rod ●
3		1	Piston ●
4		1	Head ●
5		1	Lock Nut ●
6		1	Retaining Ring ●
7		1	Square O-Ring ●

● Not serviced separately



Tandem Hydraulic Pump Assembly

Ref.	Part Number	Qty.	Description	Ref.	Part Number	Qty.	Description
1	104-4890	1	Piston Pump ASM	17	74-1810	2	Washer
2	99-3440	2	Spacer	18	137-1653	1	Idler Arm ASM
3	99-3436-0P	1	Support-Pump	18:2	126-1963	2	Bushing-Pivot
4	3256-24	6	Washer-Plain	19	95-8806	1	Spacer
5	323-19	2	Screw-HH	20	104-8301	1	Nut-HF, NI
6	3234-11	4	Screw-HHF	21	95-8802	1	Pulley-Idler
7	32128-43	4	Nut-Flange	22	323-10	1	Screw-HH
8	323-8	2	Screw-HH	23	95-8917	1	Spring-Torsion
9	100-4852	2	Washer-Hardened	24	70-2041	1	Trim - Edge
10	3296-39	2	Nut-Lock, NI	25	32128-54	1	Nut-HF
11	93-6842	1	Bushing-Lock, Taper	26	95-8933-0P	1	Plate - Pump Mount *b
11:1	3245-36	1	Screw-Set, HSH	27	42-9370	1	Screw-HH
11:2	321-13	3	Screw-HH	28	95-8736	1	Spacer
11:3	3253-3	3	Washer-Lock	29	95-8941	4	Spacer-Mount, Pump
12	99-3529	1	Shaft-Pivot, Idler	30	87-8640	3	Washer-Flat
13	93-6841	1	Pulley	35	33114-060	4	Screw-HH
14	95-8730	1	V-Belt	37	136-3743	1	Pump-Gear
15	32151-36	1	Ring-Retaining	38	60-3520	1	O-Ring
16	302-5	1	Fitting-Grease	39	323-7	2	Screw-HH

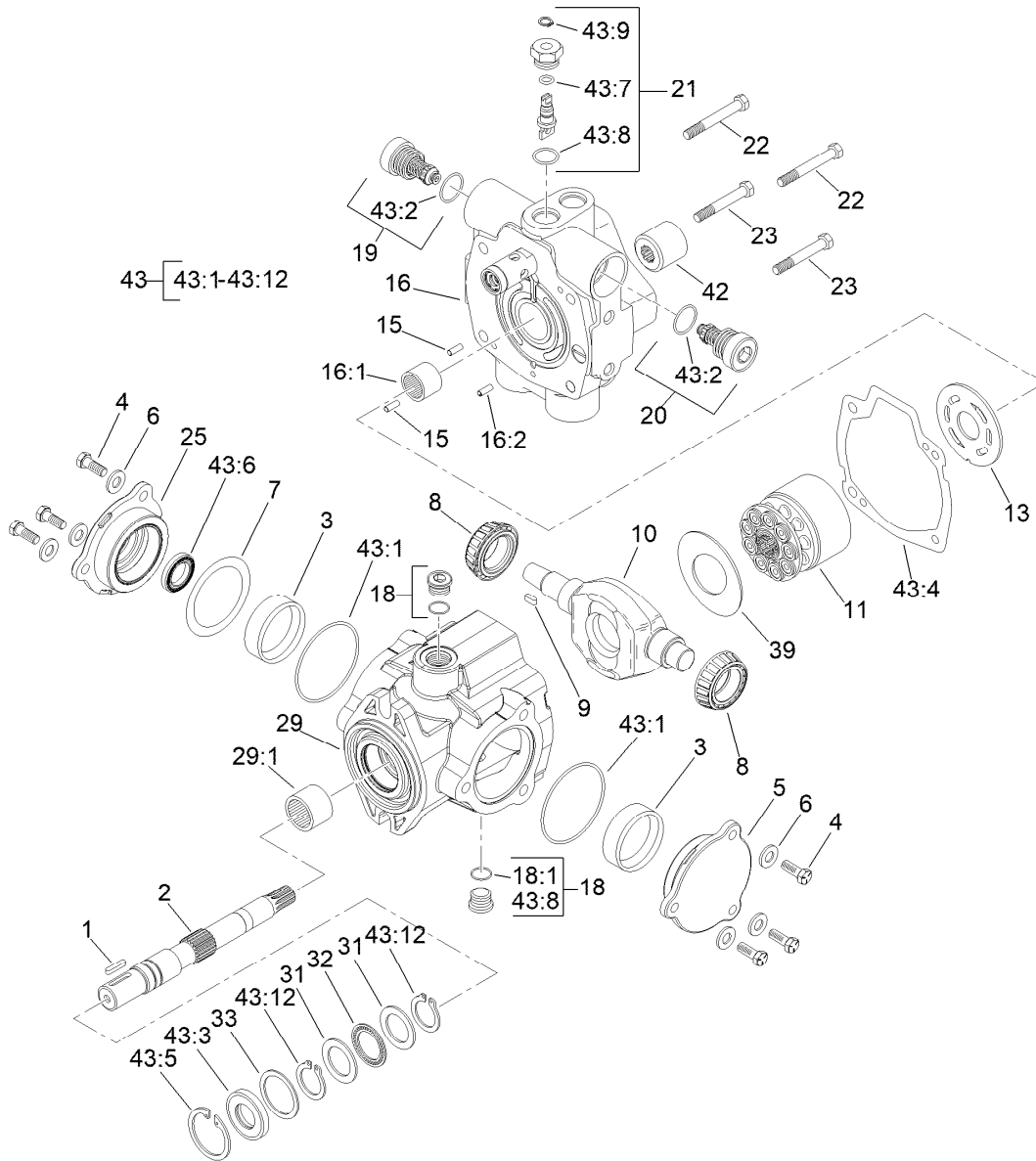


Hydraulic Pump Assembly No. 104-4890

Ref.	Part Number	Qty.	Description	Ref.	Part Number	Qty.	Description
1	94-3645	1	Key	19	104-4889	1	Relief Valve ASM
2	94-6359	1	Shaft-Drive	20	105-3812	1	Valve-Check
3	104-4046	2	Bearing-Cup	21	105-3811	1	Valve-Bypass
4	98-4640	6	Screw-Cap	22	76-6170	2	Capscrew
5	98-4644	1	Plate-Cover	23	76-6160	2	Capscrew
6	105-9762	6	Washer	25	98-4645	1	Plate-Cover
7	100-3182	2	Shim Kit	29	100-3176	1	Housing ASM
8	98-4639	2	Bearing-Cone	29:1	94-6363	1	Bearing
9	94-3646	1	Key	31	252-71	2	Washer-Thrust
10	104-4888	1	Swashplate	32	252-66	1	Bearing-Thrust
11	76-6070	1	Rotating Kit	33	33-3720	1	Washer
13	104-0429	1	Plate-Valve	39	98-4635	1	Insert-Plate, Cam
15	76-6150	2	Pin-Dowel	42	74-9040	1	Coupler
16	105-3813	1	Endcover Sub ASM	43	120-5754	1	Seal Kit
16:1	94-6368	1	Bearing	43:1		2	O-Ring ■
16:2		1	Pin-Roll ■	43:2		2	O-Ring ■
18	74-9280	2	Plug ASM	43:3		1	Seal-Shaft ■
18:1		1	O-Ring ■	43:4		1	Gasket ■

● Not illustrated

■ Not serviced separately



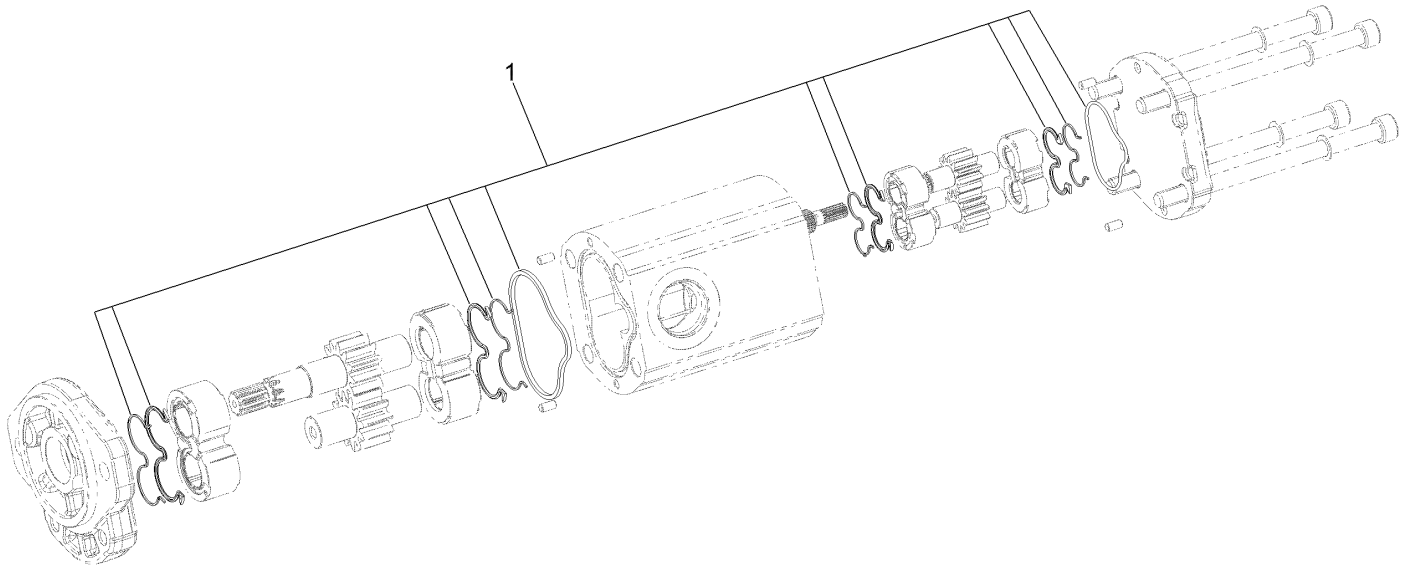
Hydraulic Pump Assembly No. 104-4890 (continued)

Ref.	Part Number	Qty.	Description
43:5		1	Ring-Retaining ■
43:6		1	Seal-Shaft ■
43:7		1	O-Ring ■
43:8		5	O-Ring ■
43:9		1	Ring-Retaining ■

Ref.	Part Number	Qty.	Description
43:10		1	O-Ring ●■
43:11		1	O Ring-Molded ●■
43:12		2	Ring-Retaining ■
43:13		1	O-Ring ■●

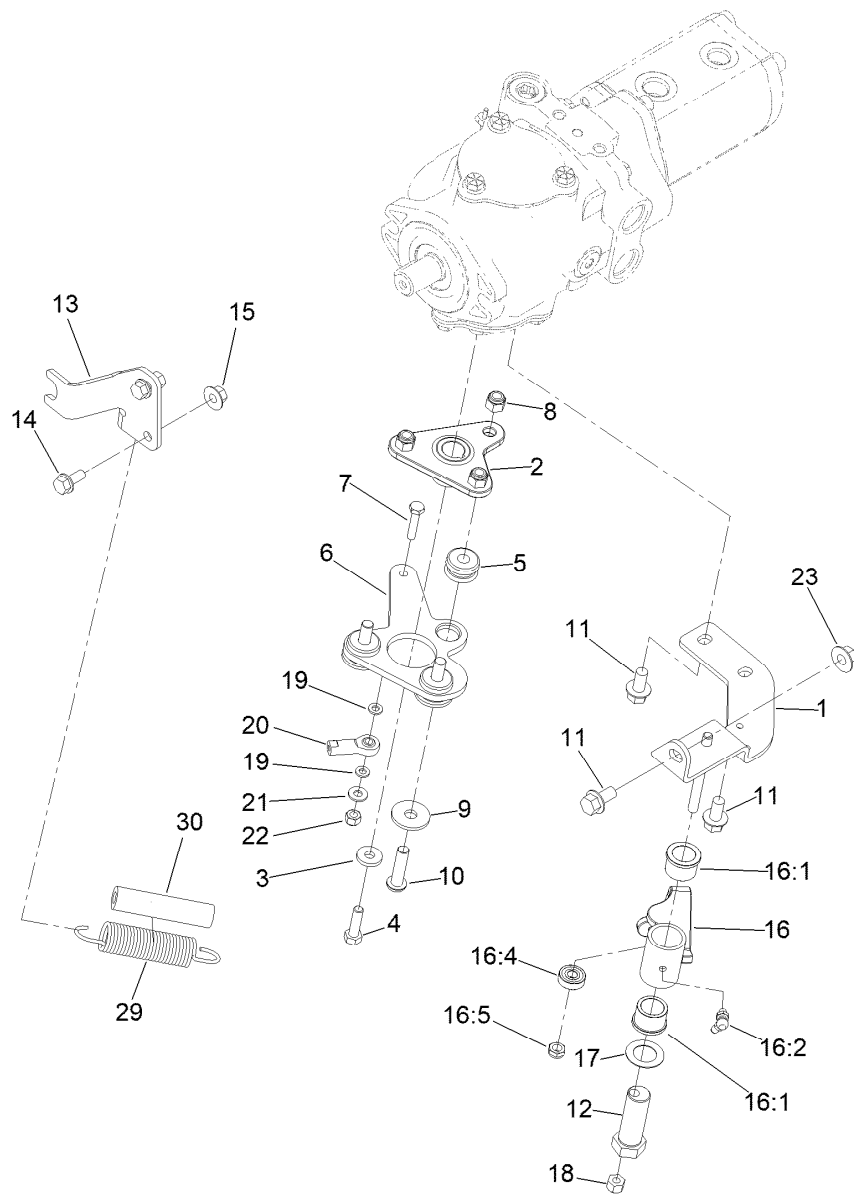
● Not illustrated

■ Not serviced separately



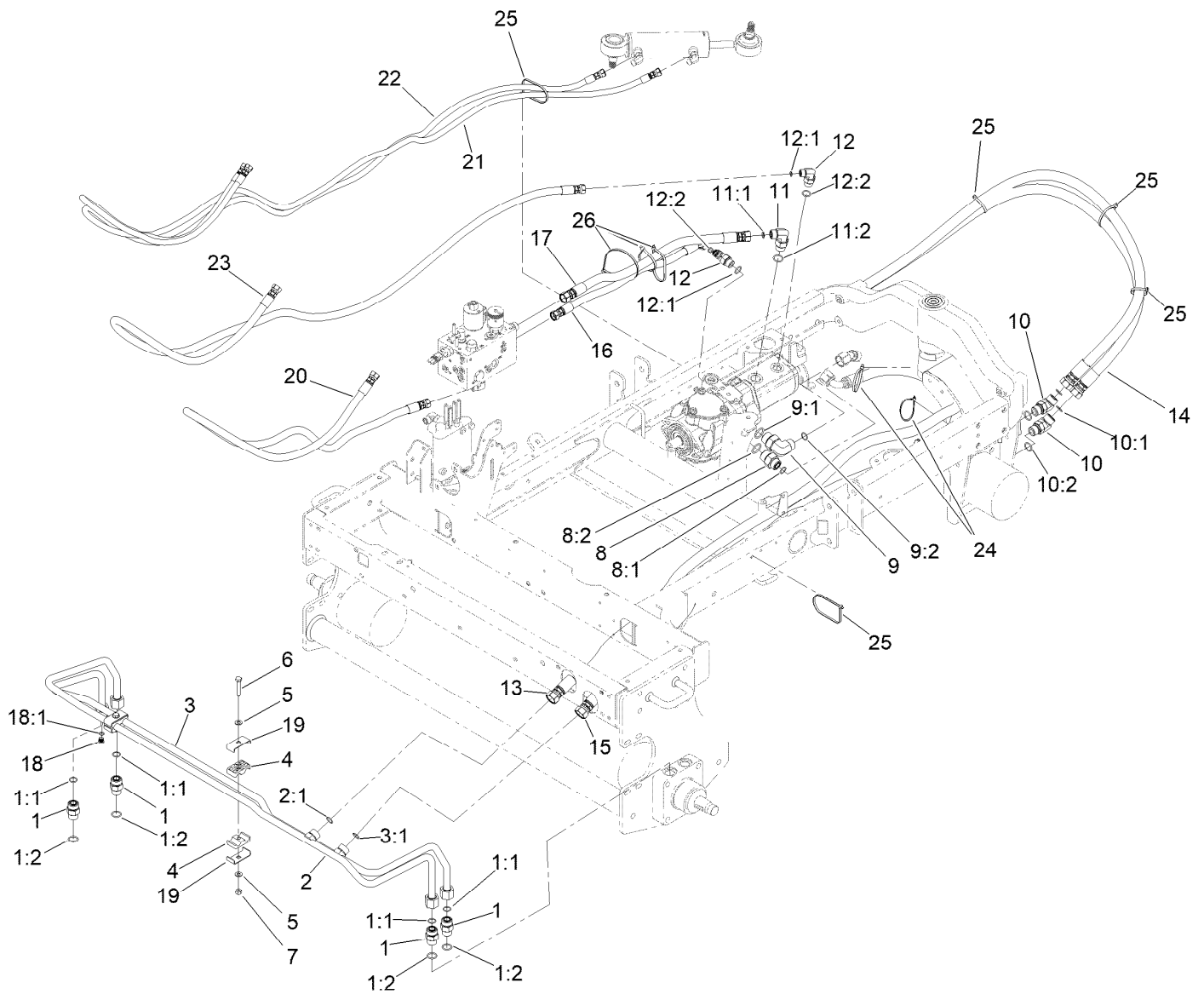
Gear Pump Assembly No. 136-3743

<i>Ref.</i>	<i>Part Number</i>	<i>Qty.</i>	<i>Description</i>
1	110-8755	1	Seal Kit



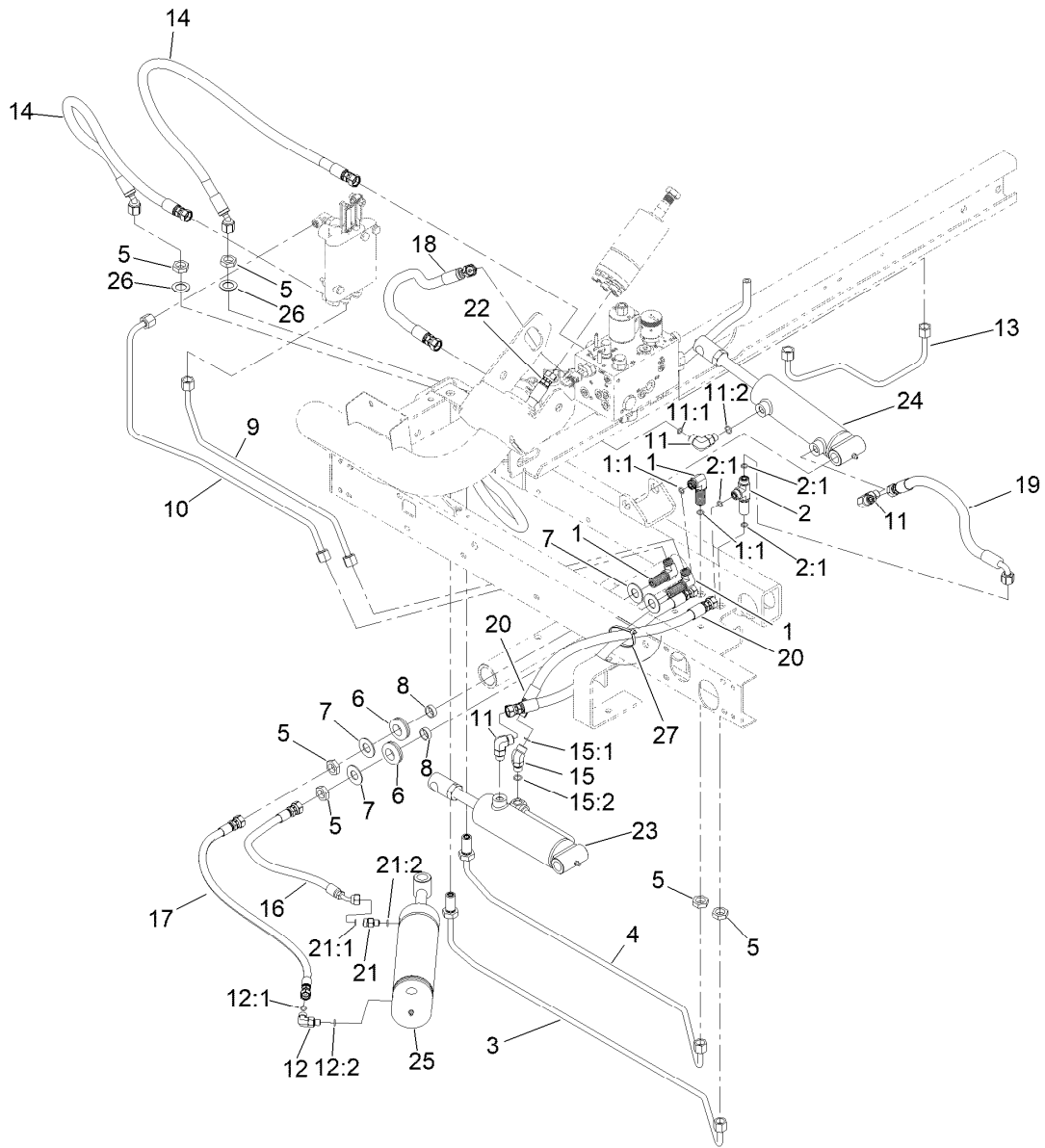
Tandem Pump Mount Assembly

<i>Ref.</i>	<i>Part Number</i>	<i>Qty.</i>	<i>Description</i>	<i>Ref.</i>	<i>Part Number</i>	<i>Qty.</i>	<i>Description</i>
1	95-8960-0P	1	Bracket-Neutral	16	140-6168	1	Neutral Arm ASM
2	120-5566	1	Hub	16:1	256-113	2	Bushing-Flange
3	88-7200	1	Washer-Flat	16:2	302-60	1	Fitting-Grease
4	3210-6	1	Screw-HH	16:4	251-259	1	Bearing-Ball
5	63-9750	3	Mount	16:5	3296-47	1	Nut-Lock,NI
6	99-3594-0P	1	Lever-Pump	17	3-6498	1	Washer-Thrust
7	321-8	1	Screw-HH	18	3296-29	1	Nut-Lock, NI
8	3296-39	3	Nut-Lock, NI	19	33093-00	2	Washer-Flat
9	2844	3	Washer	20	2411-41	1	Rod End-Ball Joint
10	95-3857	3	Screw-HSBH	21	3256-22	1	Washer-Flat
11	3234-1	3	Screw-HHF	22	3296-42	1	Nut-Lock, NI
12	76-8640	1	Stud-Traction	23	32128-43	1	Nut-Flange
13	104-0464-03	1	Bracket-Support, Cable	29	145-5262	1	Spring-Extension
14	3234-5	2	Screw-HHF	30	99-3556	1	Hose
15	32128-44	2	Nut				



Traction and Steering Circuit Assembly

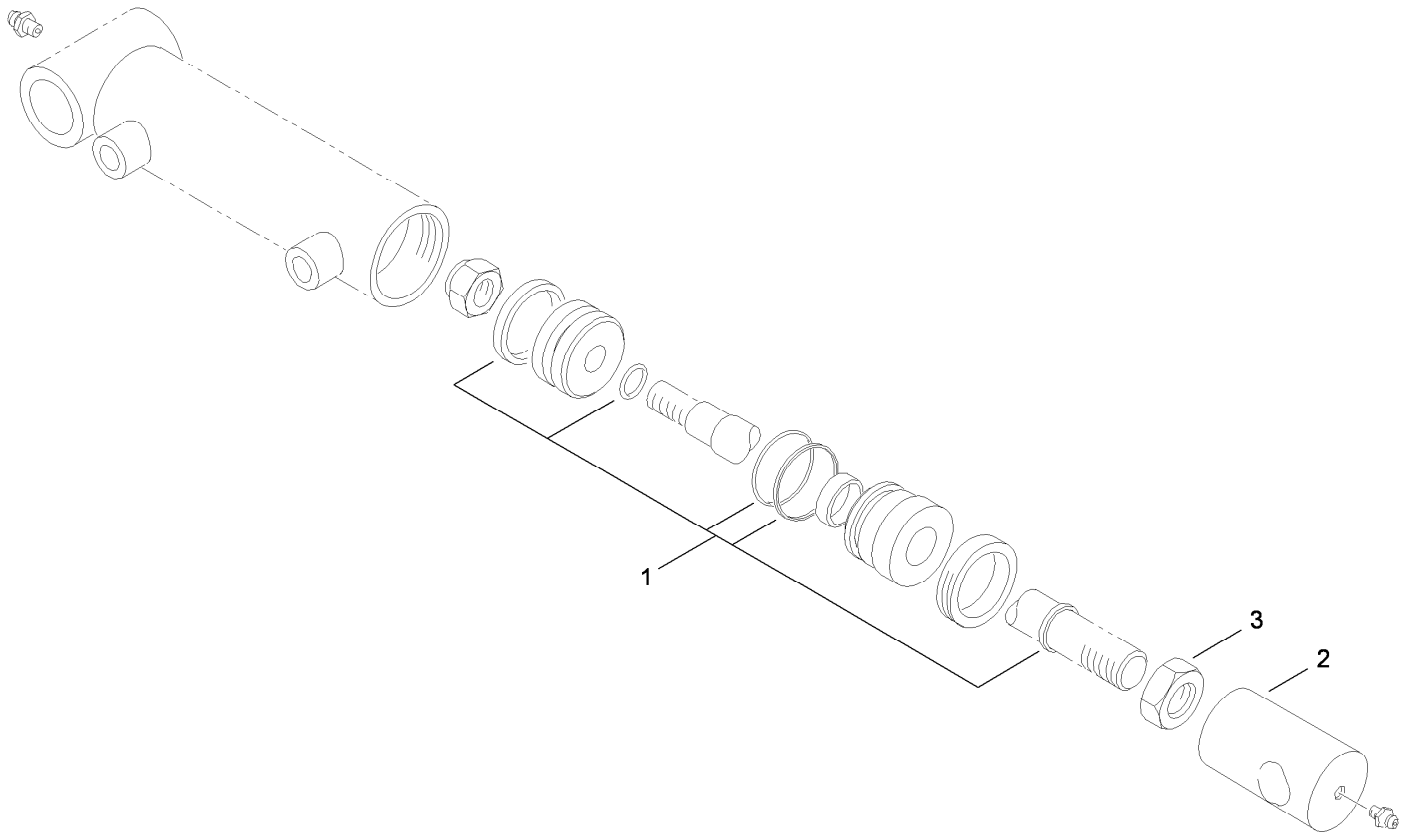
Ref.	Part Number	Qty.	Description	Ref.	Part Number	Qty.	Description
1	340-7	4	Fitting-Straight	11:1	237-80	1	O-Ring
1:1	237-65	1	O-Ring	11:2	237-30	1	O-Ring
1:2	237-80	1	O-Ring	12	340-18	2	Fitting-HYD, 90 DEG
2	95-8783	1	Tube ASM	12:1	237-79	1	O-Ring
2:1	237-65	1	O-Ring	12:2	237-22	1	O-Ring
3	95-8784	1	Tube ASM	13	105-1221	1	Hose ASM
3:1	237-65	1	O-Ring	14	105-1222	1	Hose ASM
4	56-7971	4	Clamp-Tube	15	105-1214	1	Hose-HYD
5	3256-23	4	Washer-Plain	16	106-4197	1	Hose ASM
6	322-9	2	Screw-HH	17	161-8376	1	Hose ASM
7	3296-29	2	Nut-Lock, NI	18	353-990	1	Plug ASM
8	340-8	1	Fitting-Straight	18:1	237-78	1	O-Ring
8:1	237-65	1	O-Ring	19	119-1419	4	Plate-Clamp
8:2	237-81	1	O-Ring	20	95-8842	1	Hose-HYD
9	340-139	1	Fitting-Elbow 90	21	95-8845	1	Hose ASM
9:1	237-81	1	O-Ring	22	95-8844	1	Hose ASM
9:2	237-65	1	O-Ring	23	147-6064	1	Hose ASM
10	340-14	2	Fitting-HYD, 45 DEG	24	3290-378	2	Tie-Cable
10:1	237-65	1	O-Ring	25	3290-379	5	Tie-Cable
10:2	237-80	1	O-Ring	26	3334-945	3	Tie-Cable
11	340-105	1	Fitting-Elbow, 90 DEG				



Lift Circuit Assembly

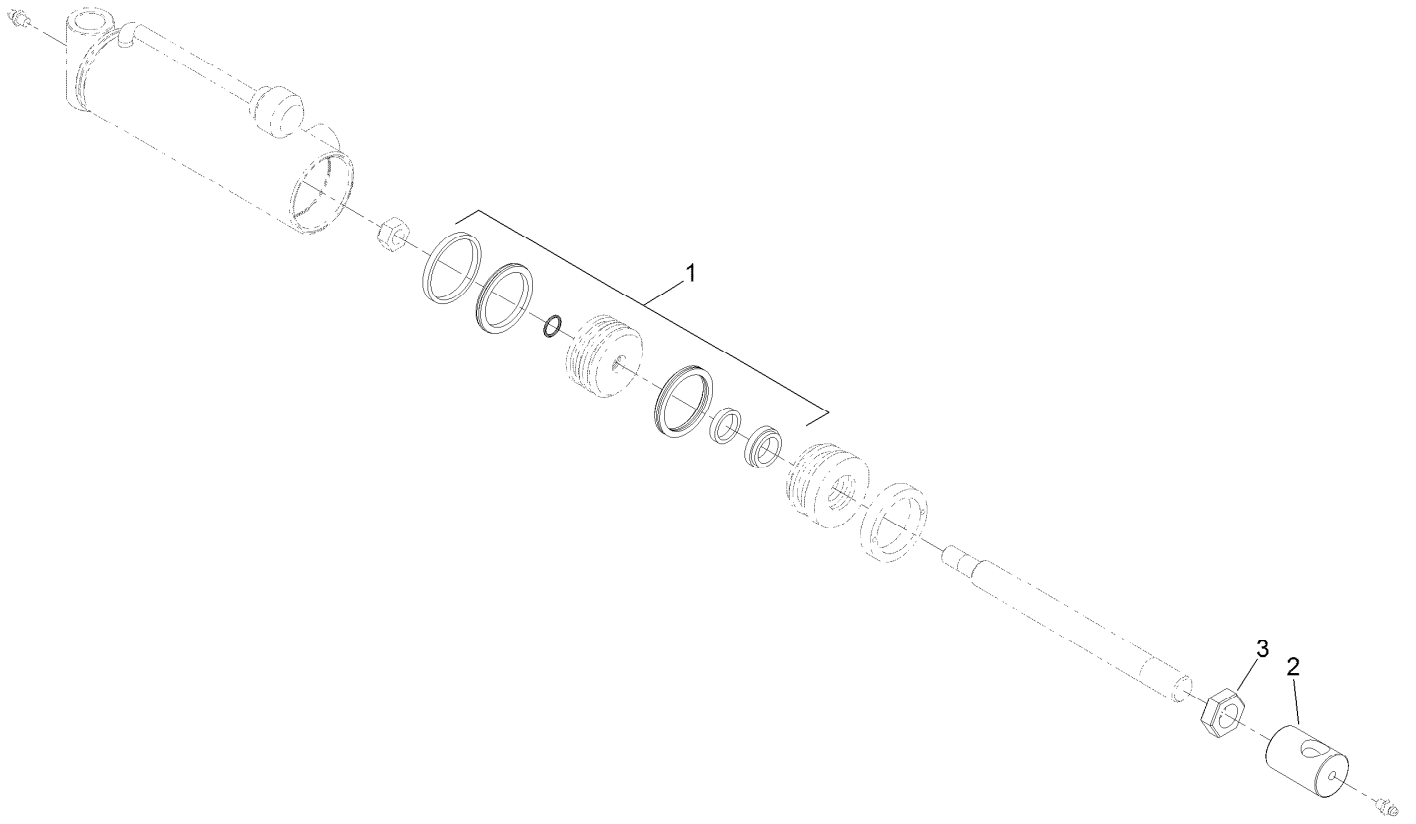
Ref.	Part Number	Qty.	Description	Ref.	Part Number	Qty.	Description
1	340-154	3	Union-Bulkhead	14	95-8822	2	Hose-HYD
1:1	237-22	2	O-Ring	15	340-87	1	Fitting-Elbow, 45 DEG
2	340-68	1	Fitting-Tee, Bulkhead	15:1	237-22	1	O-Ring
2:1	237-22	3	O-Ring	15:2	237-42	1	O-Ring
3	95-8984	1	Tube-HYD	16	95-8838	1	Hose-HYD
4	95-8983	1	Tube-HYD	17	95-8839	1	Hose-HYD
5	340-70	6	Nut-Lock	18	95-8823	1	Hose ASM
6	240-4	2	Grommet-Rubber	19	104-2234	1	Hose-HYD
7	69-8940	4	Washer	20	117-5147	2	Hose-HYD
8	69-8970	2	Spacer	21	85-9720	1	Fitting-STR, Orifice
9	95-8791	1	Tube-HYD	21:1	237-78	1	O-Ring
10	95-8790	1	Tube-HYD	21:2	237-21	1	O-Ring
11	340-77	3	Fitting-Elbow, 90 DEG	22	95-8843	1	Hose-HYD
11:1	237-22	1	O-Ring	23	117-5109	1	HYD Cylinder ASM
11:2	237-42	1	O-Ring	24	112-9916	1	HYD Cylinder ASM
12	340-132	1	Fitting-Elbow, 90 DEG	25	121-3654	1	Cylinder-HYD
12:1	237-78	1	O-Ring	26	1278	2	Washer
12:2	237-21	1	O-Ring	27	3290-378	1	Tie-Cable ●
13	95-8792	1	Tube ASM				

● Not illustrated



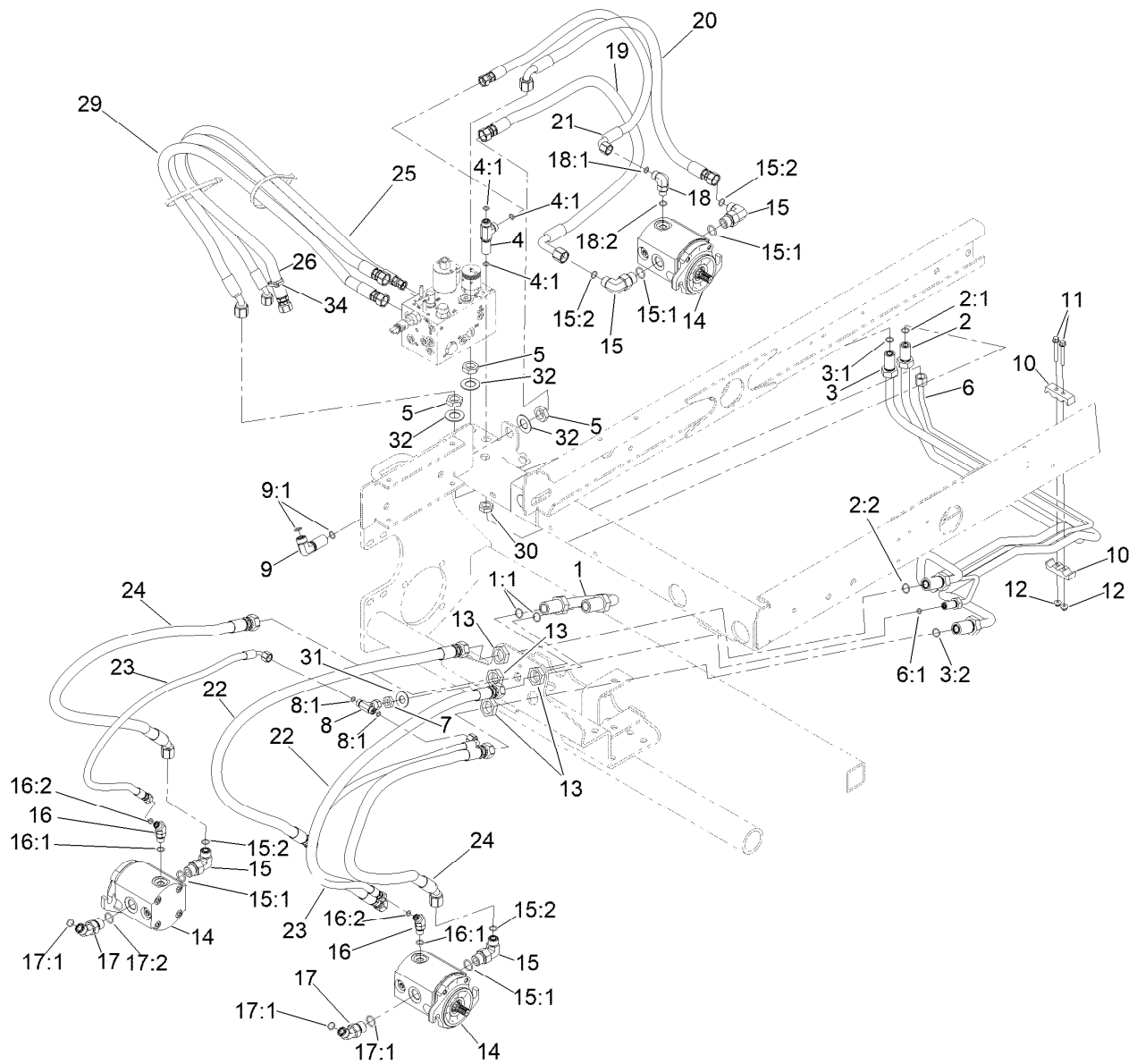
Hydraulic Cylinder Assembly No. 112-9916

<i>Ref.</i>	<i>Part Number</i>	<i>Qty.</i>	<i>Description</i>
1	115-3410	1	Seal Kit
2	108-9035	1	Clevis
3	3220-7	1	Nut-Jam



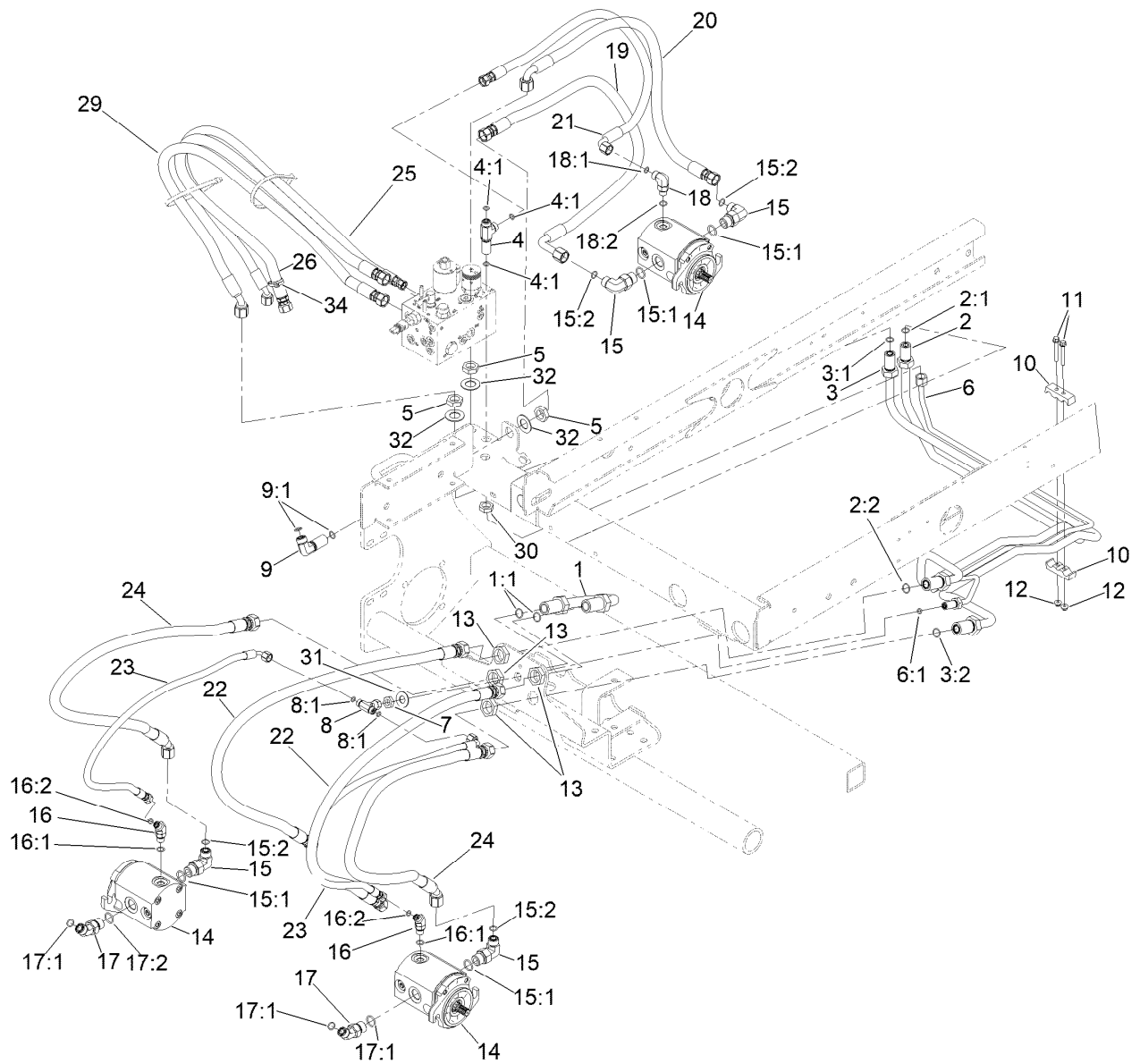
Hydraulic Cylinder Assembly No. 117-5109

<i>Ref.</i>	<i>Part Number</i>	<i>Qty.</i>	<i>Description</i>
1	115-3410	1	Seal Kit
2	108-9035	1	Clevis
3	3220-7	1	Nut-Jam



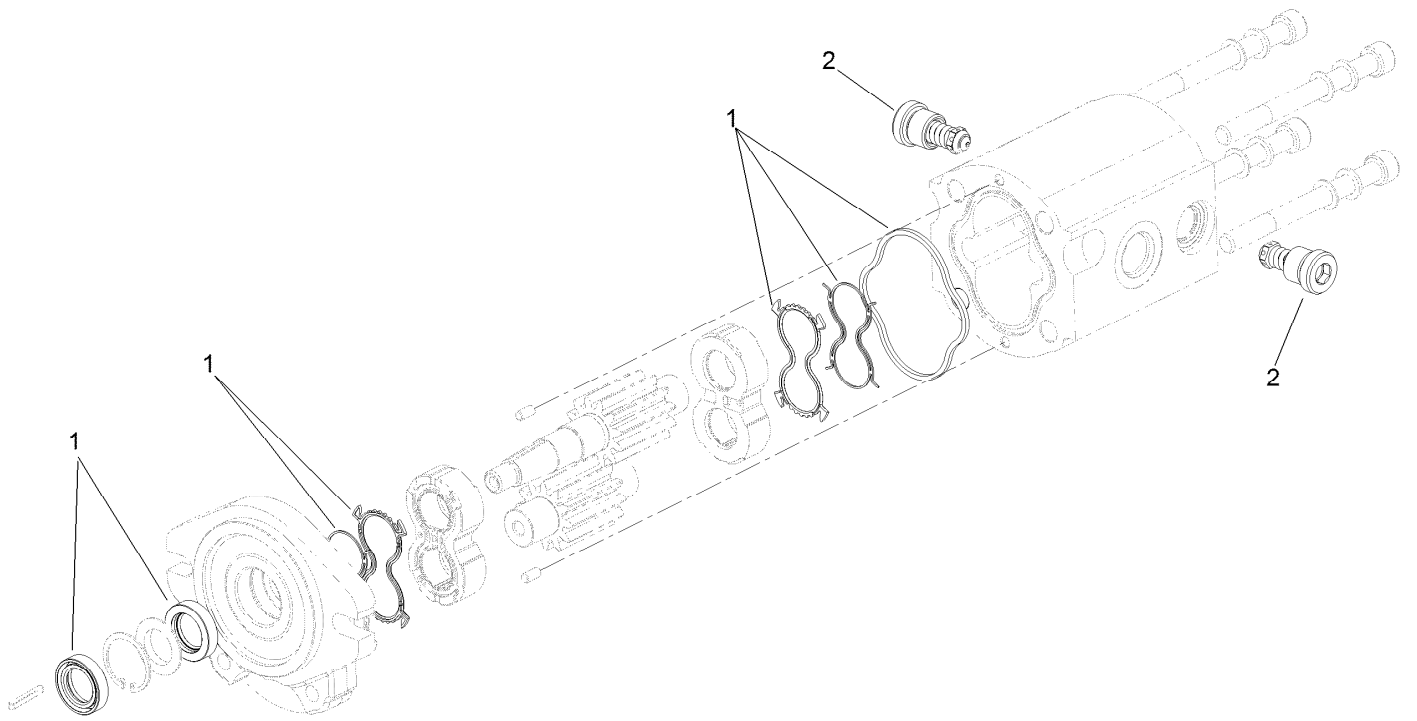
Hydraulic Mow Circuit Assembly

Ref.	Part Number	Qty.	Description	Ref.	Part Number	Qty.	Description
1	99-3640	1	Tube ASM	13	340-74	4	Nut-Lock, Bulkhead
1:1	237-65	2	O-Ring	14	115-8250	3	Gear Motor ASM
2	95-8980	1	Tube ASM	15	340-105	4	Fitting-Elbow, 90 DEG
2:1	237-30	1	O-Ring	15:1	237-80	1	O-Ring
2:2	237-65	1	O-Ring	15:2	237-30	1	O-Ring
3	95-8981	1	Tube ASM	16	340-137	2	Fitting
3:1	237-30	1	O-Ring	16:1	237-21	1	O-Ring
3:2	237-65	1	O-Ring	16:2	237-42	1	O-Ring
4	340-68	1	Fitting-Tee, Bulkhead	17	340-89	2	Fitting-HYD, 45 DEG
4:1	237-22	3	O-Ring	17:1	237-30	1	O-Ring
5	340-127	3	Nut-Bulkhead	17:2	237-80	1	O-Ring
6	95-8982	1	Tube ASM	18	340-77	1	Fitting-Elbow, 90 DEG
6:1	237-21	1	O-Ring	18:1	237-22	1	O-Ring
7	340-78	1	Nut-Lock	18:2	237-42	1	O-Ring
8	99-3477	1	Fitting-Tee	19	117-5145	1	Hose-HYD
8:1	237-21	2	O-Ring	20	117-5146	1	Hose-HYD
9	93-9151	1	Fitting-HYD	21	114-5500	1	Hose-HYD
9:1	237-30	2	O-Ring	22	117-5142	2	Hose-HYD
10	93-2509	2	Clamp-Tube	23	117-5144	2	Hose-HYD
11	3234-34	2	Screw-HHF	24	117-5143	2	Hose-HYD
12	104-7201	2	Nut-HF, NI	25	115-3411	1	Hose-HYD



Hydraulic Mow Circuit Assembly (continued)

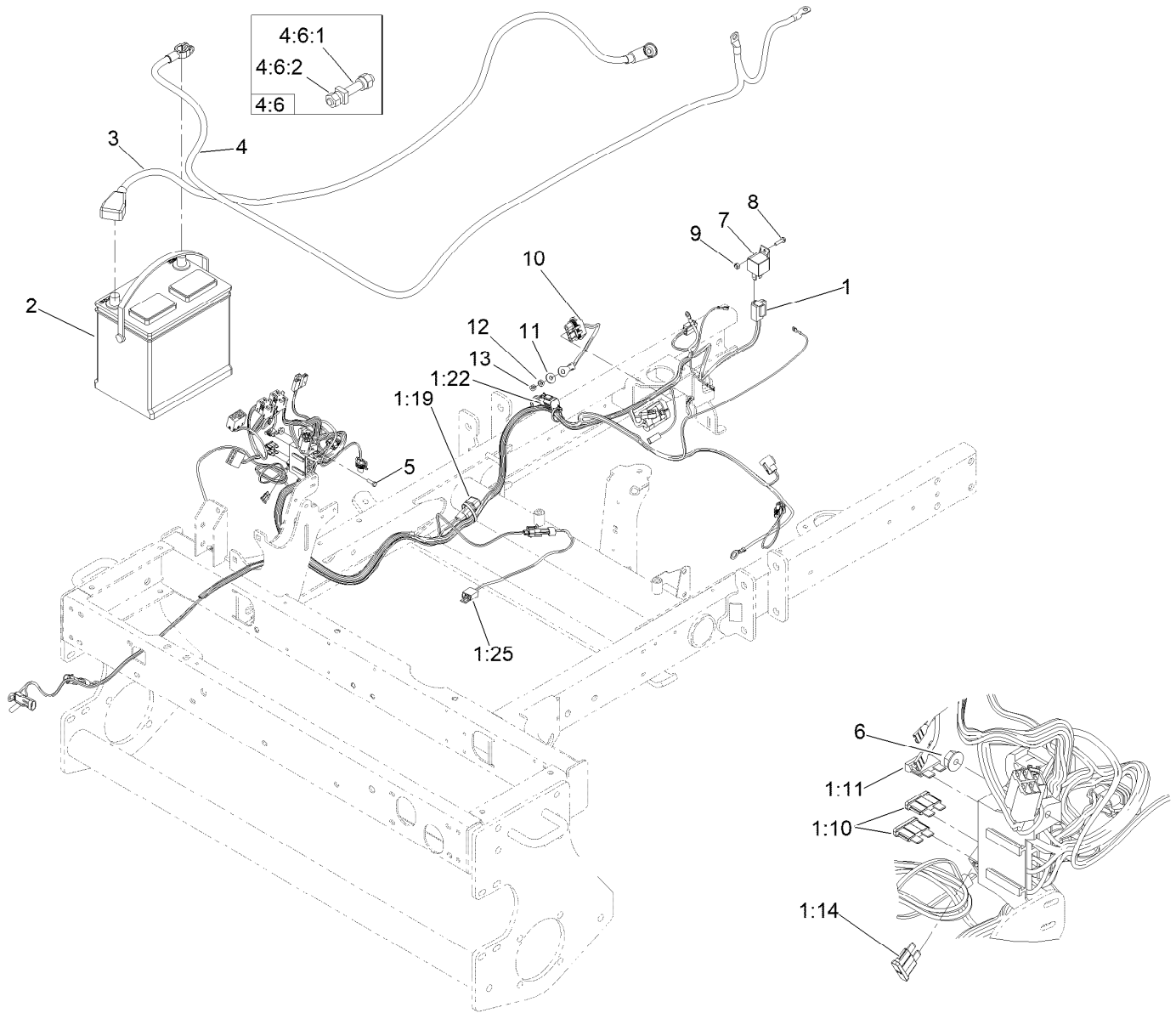
<i>Ref.</i>	<i>Part Number</i>	<i>Qty.</i>	<i>Description</i>	<i>Ref.</i>	<i>Part Number</i>	<i>Qty.</i>	<i>Description</i>
26	95-8824	1	Hose ASM	31	69-8980	1	Washer
29	95-8820	1	Hose ASM	32	69-8930	3	Washer
30	340-70	1	Nut-Lock	34	3290-378	1	Tie-Cable



Gear Motor Assembly No. 115-8250

<i>Ref.</i>	<i>Part Number</i>	<i>Qty.</i>	<i>Description</i>
1	125-1682	1	Motor Seal Kit ●
2	117-5107	2	Valve-Check ●

● Not illustrated

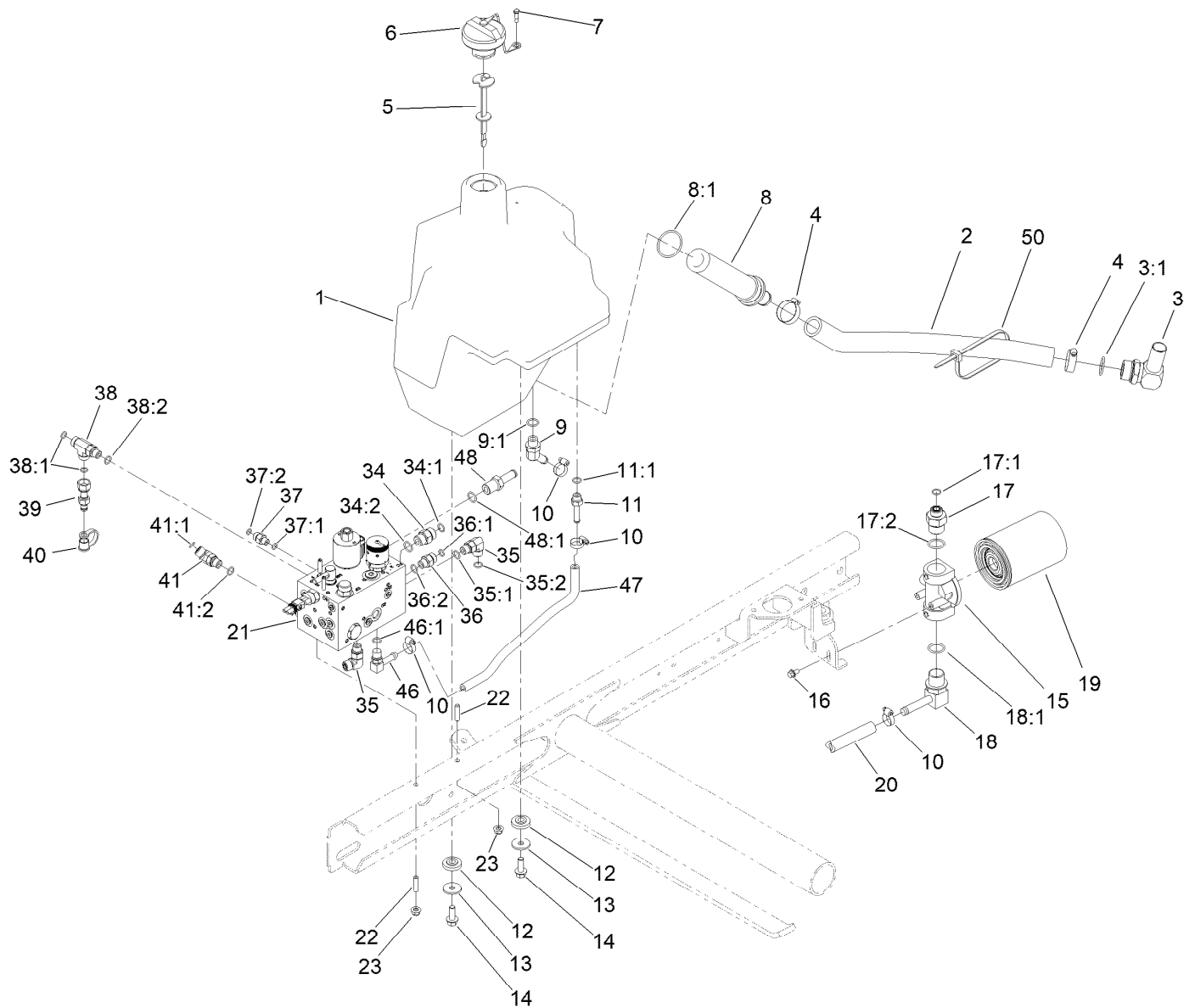


Wire Harness and Battery Assembly

Ref.	Part Number	Qty.	Description	Ref.	Part Number	Qty.	Description
1	122-2738	1	Harness-Wire, Main	4:6:2	32180-108	2	Nut-Hex Shoulder
1:10	218-578	2	Fuse-Blade, 10 Amp	5	3290-134	2	Screw
1:11	109355	1	Fuse-Blade, 15 Amp	6	3290-148	2	Nut-HF
1:14	94-6710	1	Fuse-2 Amp	7	99-7435	1	Relay
1:19	100-4918	1	Diode	8	32105-13	1	Screw-HWH
1:22	32180-156	1	Cap-Plug, 6 Way	9	3296-2	1	Nut-Lock, NI
1:25	122-2708	1	Harness-Wire, Seat Switch	10	99-3441	1	Harness-Wire, Fusible Link
2	104-0496	1	Battery- Wet, 12V, 540 CCA	11	3256-78	1	Washer-Flat
3	95-8853	1	Cable-Battery, Positive	12	43-5930	1	Washer-Lock, Spring
4	95-8854	1	Cable-Battery, Negative	13	48-7890	1	Nut-Hex
4:6		1	Bolt ASM ■	99	3290-378	8	Tie-Cable ●
4:6:1	32180-107	1	Bolt-Clamp, Battery	99	3290-379	4	Tie-Cable ●

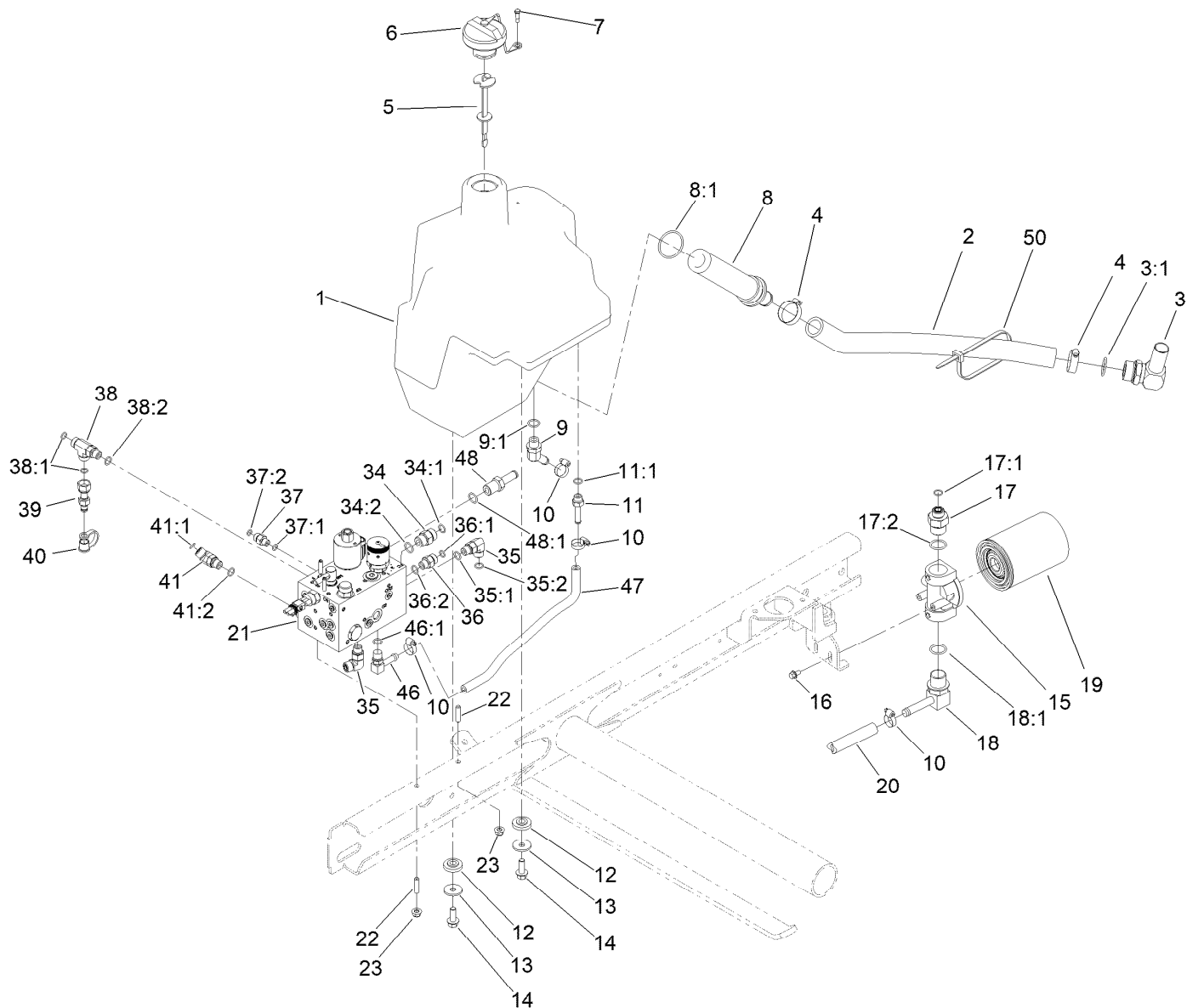
● Not illustrated

■ Not serviced separately



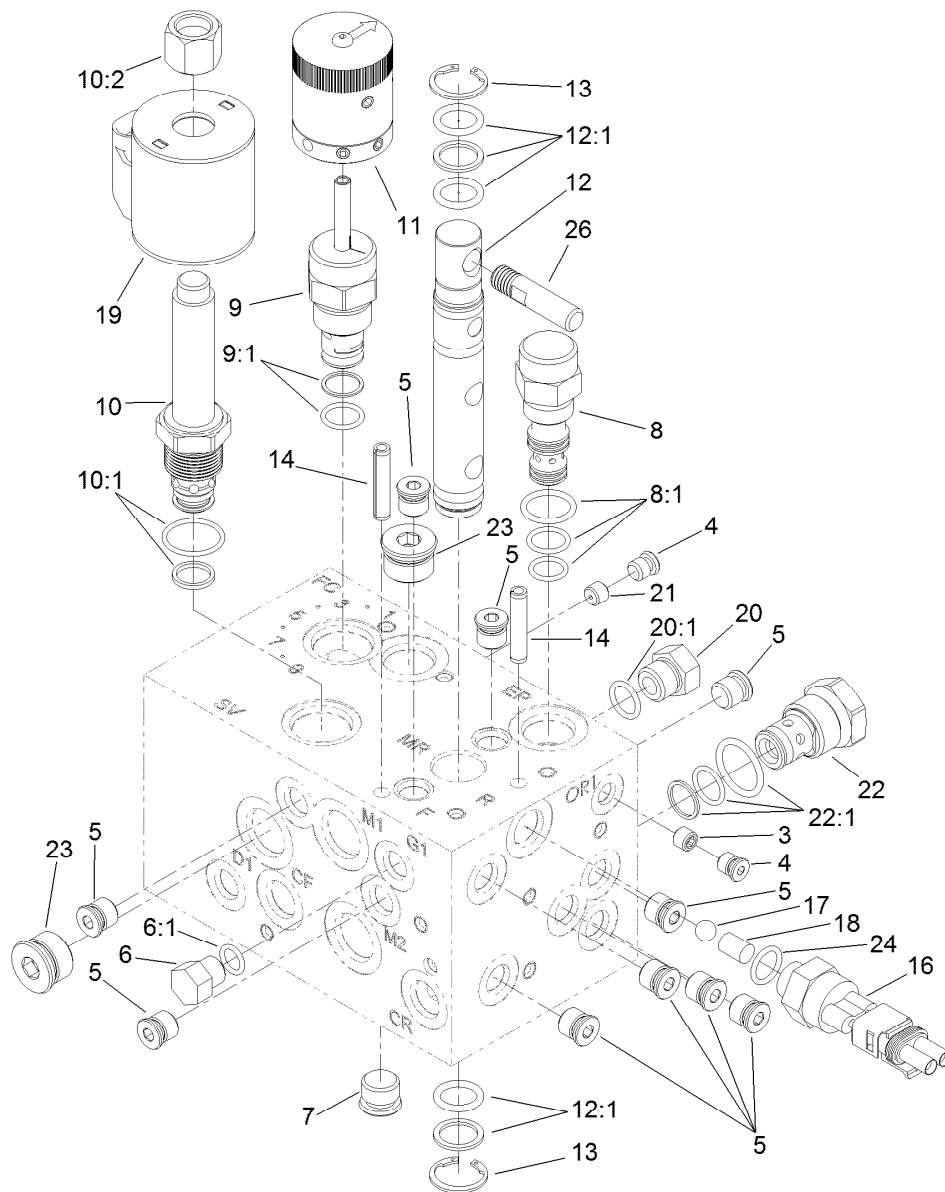
Hydraulic Tank and Valve Assembly

Ref.	Part Number	Qty.	Description	Ref.	Part Number	Qty.	Description
1	104-4840	1	Tank-HYD	17:1	237-30	1	O-Ring
2	104-4845	1	Hose-Suction	17:2	237-81	1	O-Ring
3	56-9530	1	Fitting-HYD, 90 DEG	18	95-8814	1	Fitting-90
3:1	237-117	1	O-Ring	18:1	237-81	1	O-Ring
4	2412-34	2	Clamp-Hose	19	86-3010	1	Filter-Oil
5	119-6968	1	Dipstick-Oil	20	99-3501	1	Hose
6	93-7160	1	Cap-Oil, HYD	21	108-9037	1	Manifold ASM
7	57-5420	1	Screw-Shoulder	22	104-0430	2	Stud
8	104-7546	1	Tank Strainer ASM	23	104-8300	2	Nut-HF, NI
8:1	340-136	1	O-Ring	34	340-4	3	Fitting-Straight
9	354-126	1	Fitting-Elbow, 45	34:1	237-30	1	O-Ring
9:1	237-79	1	O-Ring	34:2	237-79	1	O-Ring
10	2412-36	4	Clamp-Hose	35	340-77	2	Fitting-Elbow, 90 DEG
11	353-979	1	Fitting-STR	35:1	237-22	1	O-Ring
11:1	237-42	1	O-Ring	35:2	237-42	1	O-Ring
12	240-11	4	Bushing-Flange	36	340-2	1	Fitting-Straight
13	63-8410	4	Washer	36:1	237-22	1	O-Ring
14	3234-11	4	Screw-HHF	36:2	237-42	1	O-Ring
15	92-5821	1	Head-Filter	37	340-92	1	Fitting-Straight
16	3234-13	2	Screw-HHF	37:1	237-78	1	O-Ring
17	100-4240	1	Fitting-STR	37:2	237-21	1	O-Ring



Hydraulic Tank and Valve Assembly (continued)

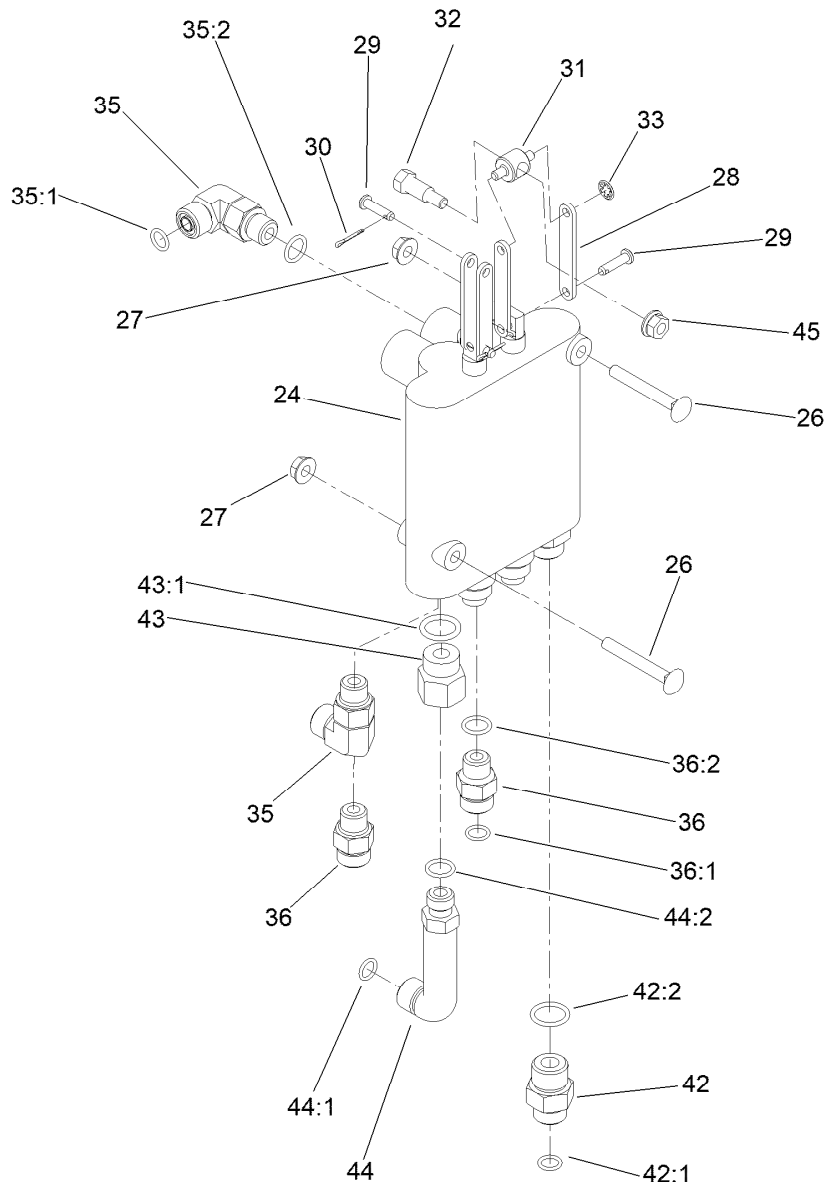
<i>Ref.</i>	<i>Part Number</i>	<i>Qty.</i>	<i>Description</i>	<i>Ref.</i>	<i>Part Number</i>	<i>Qty.</i>	<i>Description</i>
38	340-86	1	Fitting-Tee	41:2	237-42	1	O-Ring
38:1	237-22	2	O-Ring	46	100-4887	1	Fitting-Elbow, 90
38:2	237-42	1	O-Ring	46:1	237-42	1	O-Ring
39	86-5480	1	Nipple-Test	47	80-7342	1	Hose-HYD
40	354-79	1	Cap-Dust	48	354-121	1	Fitting-STR
41	340-87	1	Fitting-Elbow, 45 DEG	48:1	237-79	1	O-Ring
41:1	237-22	1	O-Ring	50	3290-379	2	Tie-Cable



Hydraulic Manifold Assembly No. 108-9037

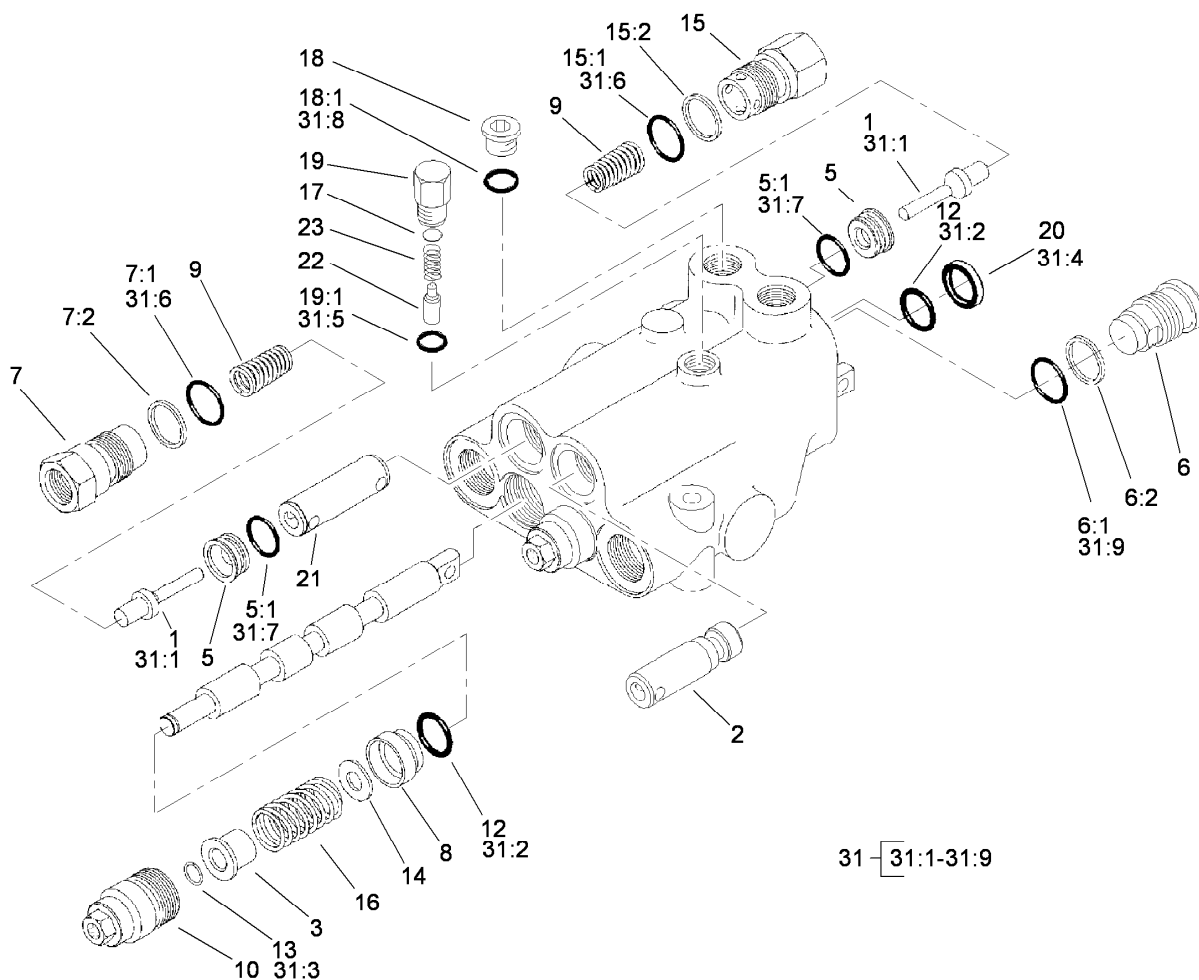
Ref.	Part Number	Qty.	Description	Ref.	Part Number	Qty.	Description
3	110-8771	1	Orifice-.020	12:1	117-0109	1	Seal Kit
4	106-1024	2	Plug-Leak, Zero	13	112-6532	2	Ring-Retaining
5	106-1025	10	Plug-HYD	14	112-6531	2	Pin-Spring
6	353-512	1	Plug	16	72-4310	1	Switch-Ball
6:1	237-78	1	O-Ring	17	110-8762	1	Ball-Chrome
7	106-1026	1	Plug-HYD	18	110-8761	1	Pin-Dowel
8	110-8770	1	Logic Element	19	110-6344	1	Coil-12V, DC
8:1	110-8773	1	Seal Kit	20	353-508	1	Plug-HH
9	110-8769	1	Valve-Control, Manual Flow	20:1	237-42	1	O-Ring
9:1	110-2633	1	Seal Kit	21	110-8760	1	Orifice-.073
10	110-8768	1	Valve-Relief, Solenoid (3000 PSI)	22	110-8759	1	Valve-Relief
10:1	110-6316	1	Seal Kit	22:1	110-8772	1	Seal Kit ●
10:2	130-8180	1	Nut-Coil (9/16-24 Unef-2B)	23	106-1027	2	Plug
11	110-8767	1	Rotary Handle ASM	24	110-8757	1	O-Ring
12	117-0108	1	Spool-Rotary	26	110-8758	1	Handle-Spool

● Not illustrated



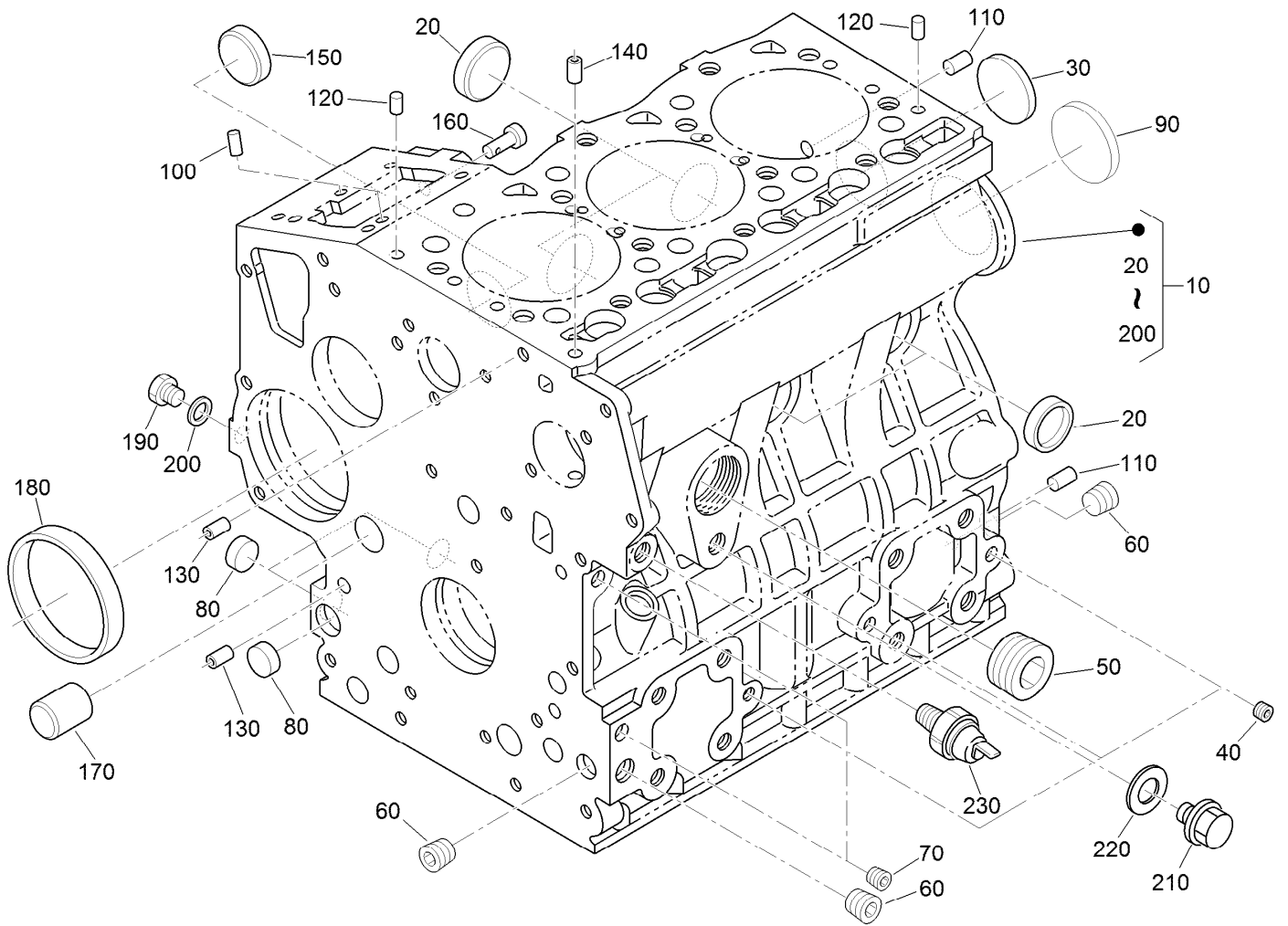
Control Valve Assembly

<i>Ref.</i>	<i>Part Number</i>	<i>Qty.</i>	<i>Description</i>	<i>Ref.</i>	<i>Part Number</i>	<i>Qty.</i>	<i>Description</i>
24	95-8581	1	2-Spool Control Valve ASM	36	340-2	1	Fitting-Straight
26	3230-33	2	Screw-CARR	36:1	237-22	1	O-Ring
27	32128-33	2	Nut-HF	36:2	237-42	1	O-Ring
28	95-8634	4	Link	42	340-3	1	Fitting-Straight
29	283-16	3	Pin-Clevis	42:1	237-22	1	O-Ring
30	3272-1	3	Pin-Cotter	42:2	237-79	1	O-Ring
31	95-8638	1	Trunnion-Valve, Actuator	43	353-397	1	Reducer-Adapter
32	92-8916	1	Bolt-Shoulder	43:1	237-79	1	O-Ring
33	32151-106	2	Ring-Retaining	44	69-4320	1	Fitting-HYD, 90 DEG
35	340-77	2	Fitting-Elbow, 90 DEG	44:1	237-22	1	O-Ring
35:1	237-22	1	O-Ring	44:2	237-42	1	O-Ring
35:2	237-42	1	O-Ring	45	32128-32	1	Nut-HHF



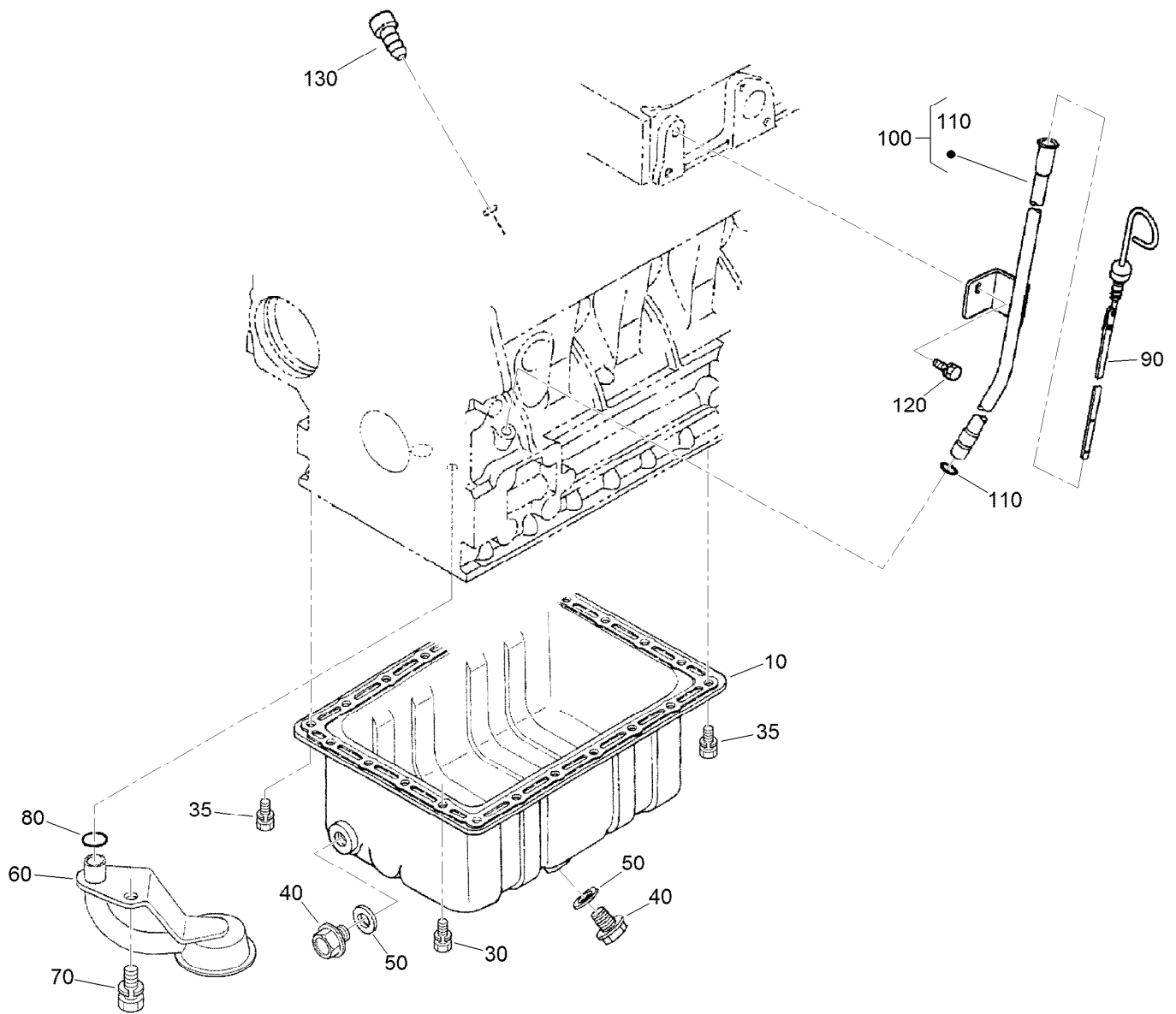
Valve Assembly No. 95-8581

Ref.	Part Number	Qty.	Description	Ref.	Part Number	Qty.	Description
1	58-6290	3	Poppet	16	99-3531	2	Spring
2	69-1840	1	Plunger	17	60-6450	1	Disc
3	58-6310	2	Spacer	18	353-989	1	Plug-Hex, Hollow
5	58-6330	3	Seat	18:1	237-42	1	O-Ring
5:1	58-6340	1	O-Ring	19	58-6780	1	Plug
6	58-6350	1	Plug	19:1	58-6790	1	O-Ring
6:1	60-5720	1	O-Ring	20	58-6320	2	Wiper
6:2	58-6370	1	Washer	21	99-3528	1	Plunger
7	69-1800	2	Plug ASM	22	58-6770	1	Plunger
7:1	60-5720	1	O-Ring	23	58-6760	1	Spring
7:2	58-6370	1	Washer	31	99-3530	1	Seal Kit
8	58-6400	2	Bushing	31:1	58-6290	3	Poppet
9	69-1810	3	Spring	31:2	58-6450	4	O-Ring
10	58-6420	2	Cap	31:3	58-6460	2	Ring-Retaining
12	58-6450	4	O-Ring	31:4	58-6320	2	Wiper
13	58-6460	2	Ring-Retaining	31:5	58-6790	1	O-Ring
14	65-2770	2	Washer	31:6	60-5720	4	O-Ring
15	99-3526	1	Plug ASM	31:7	58-6340	2	O-Ring
15:1	60-5720	1	O-Ring	31:8	237-42	1	O-Ring
15:2	59-7730	1	Washer-Backup	31:9	59-7730	2	Washer-Backup



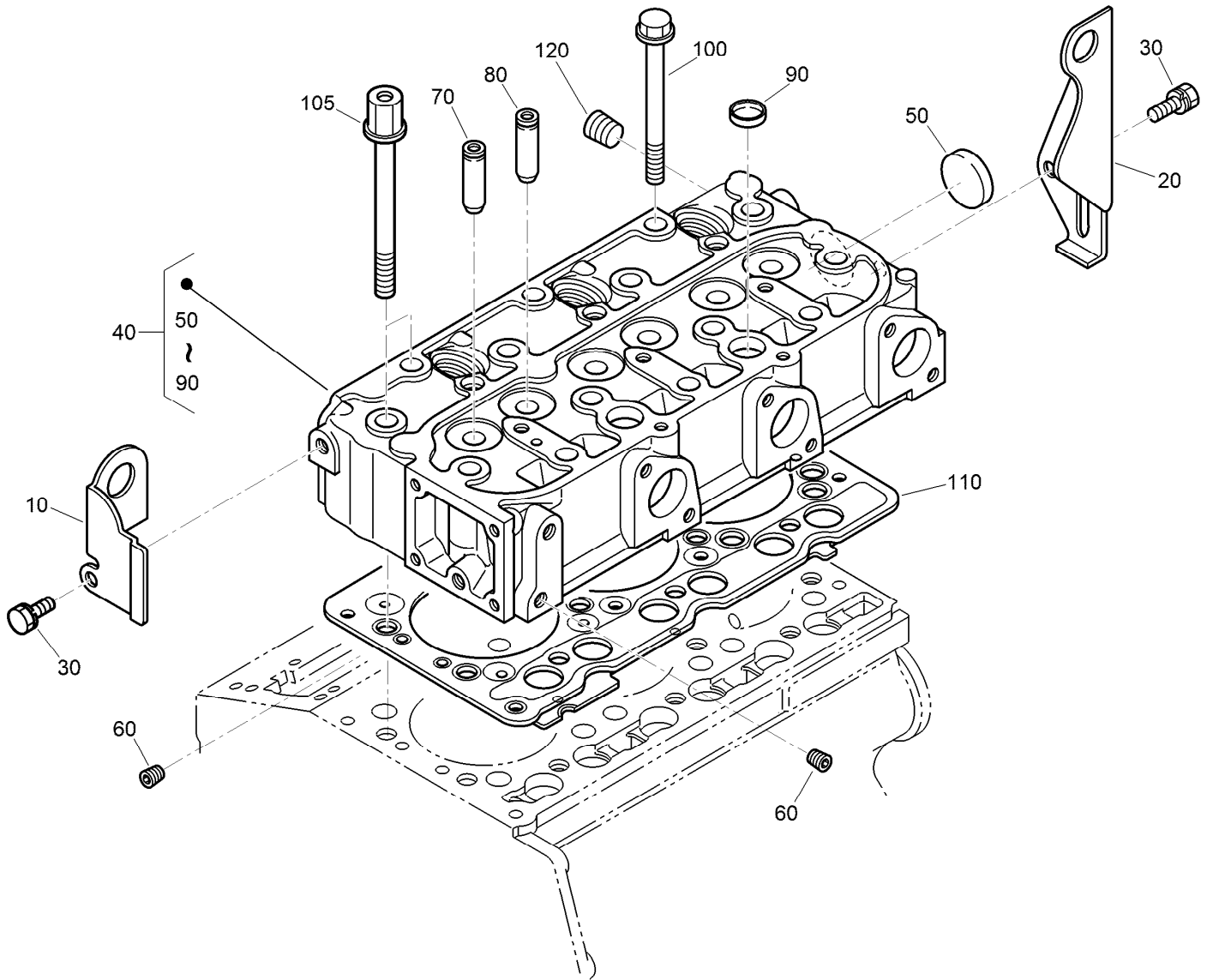
Crankcase Assembly

<i>Ref.</i>	<i>Part Number</i>	<i>Qty.</i>	<i>Description</i>	<i>Ref.</i>	<i>Part Number</i>	<i>Qty.</i>	<i>Description</i>
10	115-3443	1	Crankcase ASM	130	98-9387	2	Pin-Pipe
20	98-9398	4	Cap-Sealing	140	98-9539	1	Pin-Pipe
30	98-7539	1	Cap-Sealing	150	98-9599	1	Plug
40	98-9687	3	Plug	160	98-9630	1	Pin-Spring, Start
50	105-3779	1	Plug	170	98-9675	1	Plug
60	98-9597	3	Plug	180	98-9656	1	Bushing-Governor, Gear
70	98-7487	2	Plug	190	120-2559	1	Plug
80	98-9379	3	Plug-Expansion	200	98-7428	1	Gasket
90	98-9668	1	Plug-Expansion	210	99-3447	1	Plug
100	98-9375	2	Pin-Straight	220	106-7056	1	Gasket
110	98-9377	2	Pin-Straight	230	98-9416	1	Switch-Oil
120	98-9376	2	Pin-Straight				



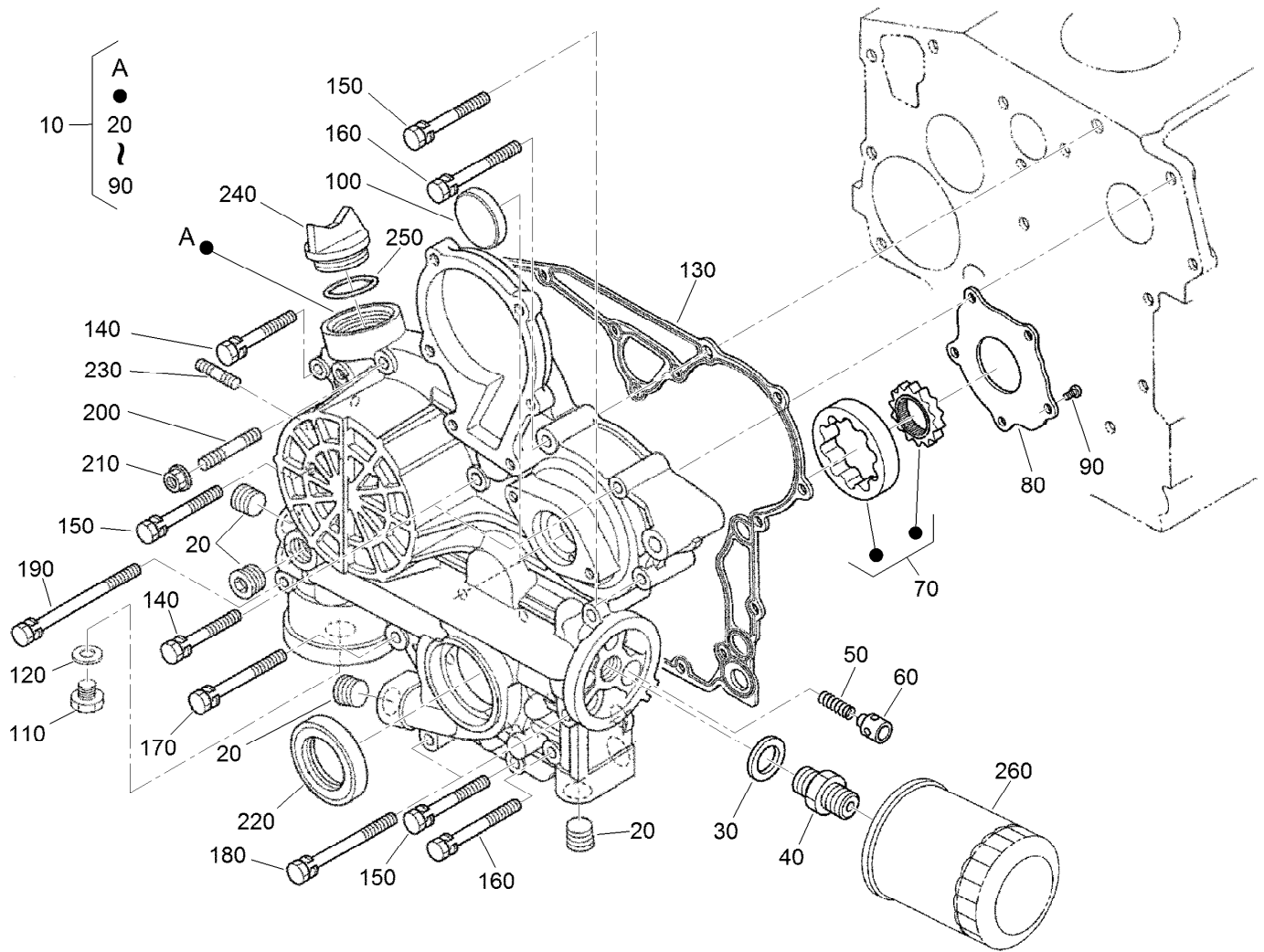
Oil Pan and Dipstick Assembly

Ref.	Part Number	Qty.	Description
10	98-9685	1	Pan-Oil
30	98-9351	20	Bolt
35	98-9351	2	Bolt
40	114-8151	1	Plug-Drain
50	98-7524	1	Gasket
60	108-1401	1	Base-Filter
70	98-7526	1	Bolt
80	105-3776	1	O-Ring
90	98-9670	1	Gauge-Oil
100	98-9672	1	Oil Gauge Guide ASM
110	98-9722	1	O-Ring
120	100-9195	1	Bolt
130	110-3720	1	Plug-Gauge, Oil



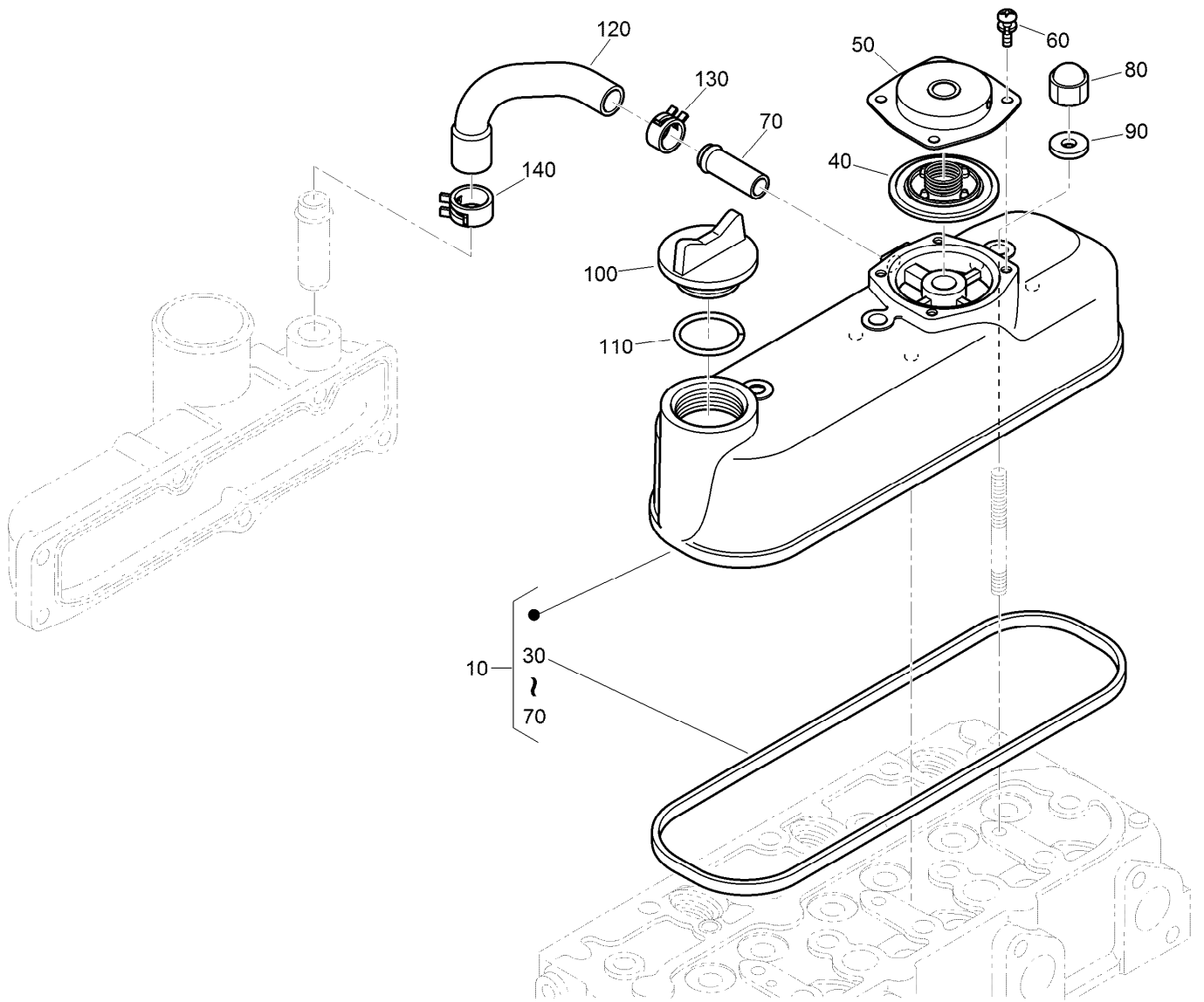
Cylinder Head Assembly

<i>Ref.</i>	<i>Part Number</i>	<i>Qty.</i>	<i>Description</i>
10	130-1231	1	Hook-Engine
20	98-9478	1	Hook-Engine
30	100-9195	2	Bolt
40	138-6997	1	Cylinder Head ASM
50	105-3705	1	Cap-Sealing
60	98-9687	2	Plug
70	107-9066	3	Guide-Valve, Inlet
80	107-9067	3	Guide-Valve, Exhaust
90	98-9389	2	Cap-Sealing
100	98-9479	12	Bolt-Head, Cylinder
105	98-9647	2	Bolt-Head, Cylinder
110	108-6573	1	Gasket-Head, Cylinder
120	98-9444	1	Plug



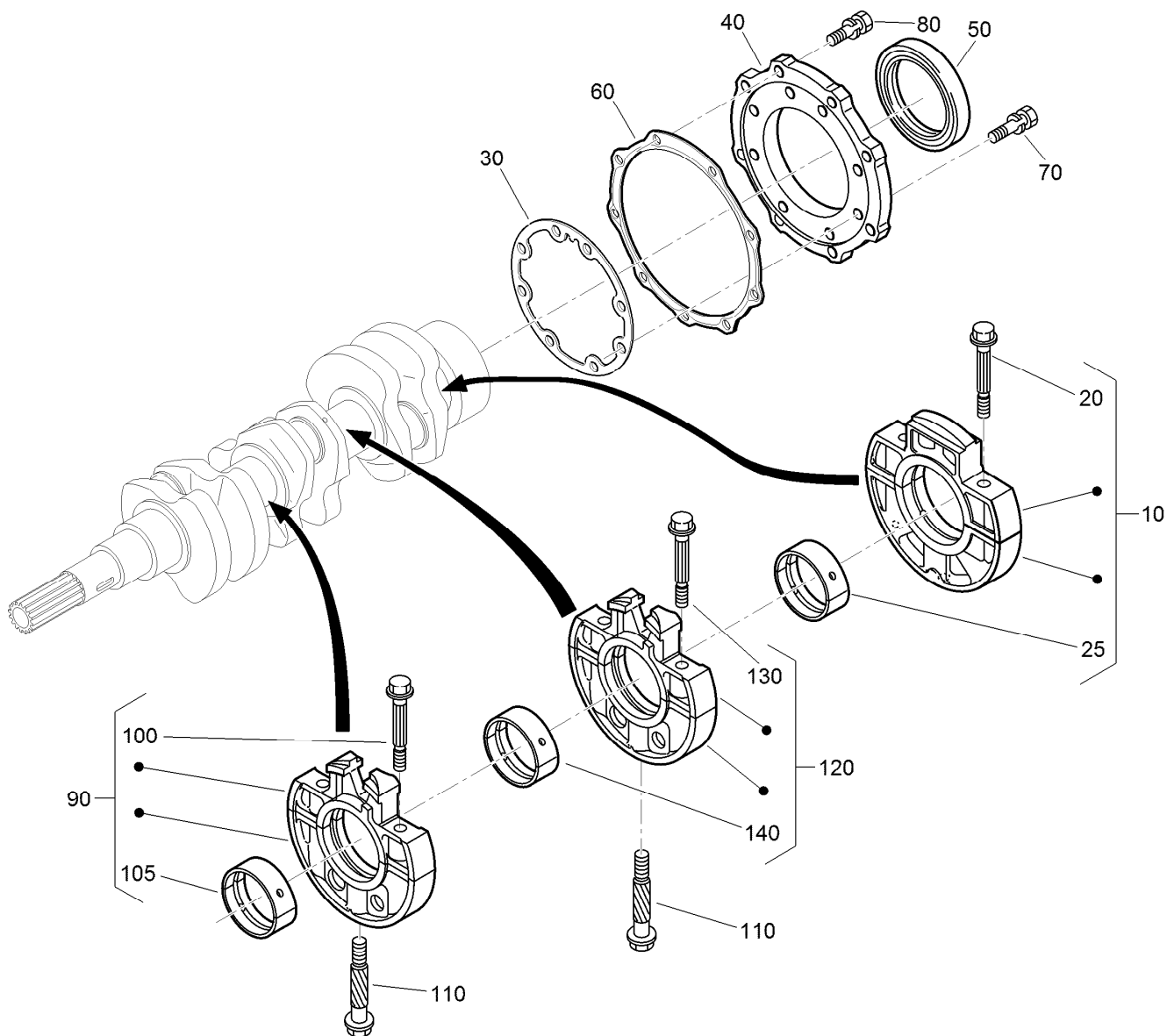
Gear Case and Oil Filter Cartridge Assembly

Ref.	Part Number	Qty.	Description	Ref.	Part Number	Qty.	Description
10	115-3442	1	Comp Gear Case	140	100-1765	3	Bolt
20	127-0425	5	Plug	150	125-9063	4	Bolt-Sems
30	98-7562	1	Washer-Plain	160	98-9356	2	Bolt
40	98-9388	1	Joint-Pipe	170	98-9437	1	Bolt
50	130-1511	1	Spring	180	98-9586	2	Bolt
60	130-1510	1	Valve-Relief	190	99-3511	1	Bolt
70	130-1508	1	Rotor ASM	200	105-3709	1	Stud
80	130-1509	1	Cover-Pump, Oil	210	100-2203	1	Nut-Flange
90	130-1164	5	Screw-Binding	220	119-8038	1	Seal-Oil
100	99-3515	1	Plug-Gearcase	230	105-3710	2	Stud
110	99-3450	1	Plug	240	107-9075	1	Plug-Filler, Oil
120	99-3451	1	Plug-Packing	250	99-3446	1	O-Ring
130	98-9633	1	Gasket-Case, Gear	260	127-0511	1	Filter-Oil



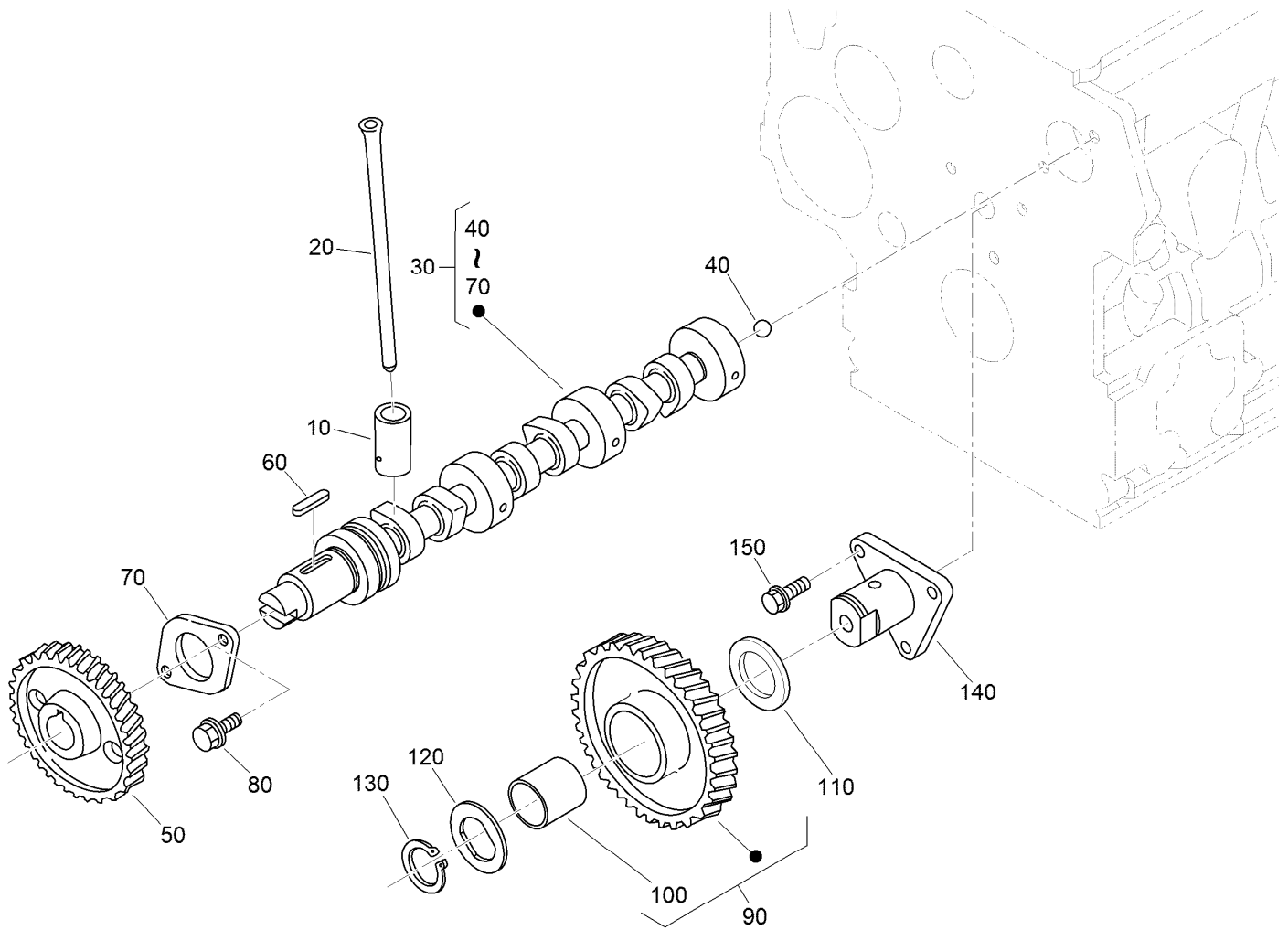
Cylinder Head Cover Assembly

<i>Ref.</i>	<i>Part Number</i>	<i>Qty.</i>	<i>Description</i>
10	130-1372	1	Cylinder Head Cover ASM
30	98-9615	1	Gasket-Cover, Head
40	110-3715	1	Valve-Breather
50	110-3714	1	Cover-Breather
60	98-9364	4	Screw (With Washer)
70	98-7766	1	Pipe-Return, Water
80	98-9455	3	Nut-Cap
90	98-9454	3	Gasket
100	107-9075	1	Plug-Filler, Oil
110	99-3446	1	O-Ring
120	107-7836	1	Tube-Breather
130	108-2859	1	Clamp-Hose
140	108-2860	1	Clamp-Hose



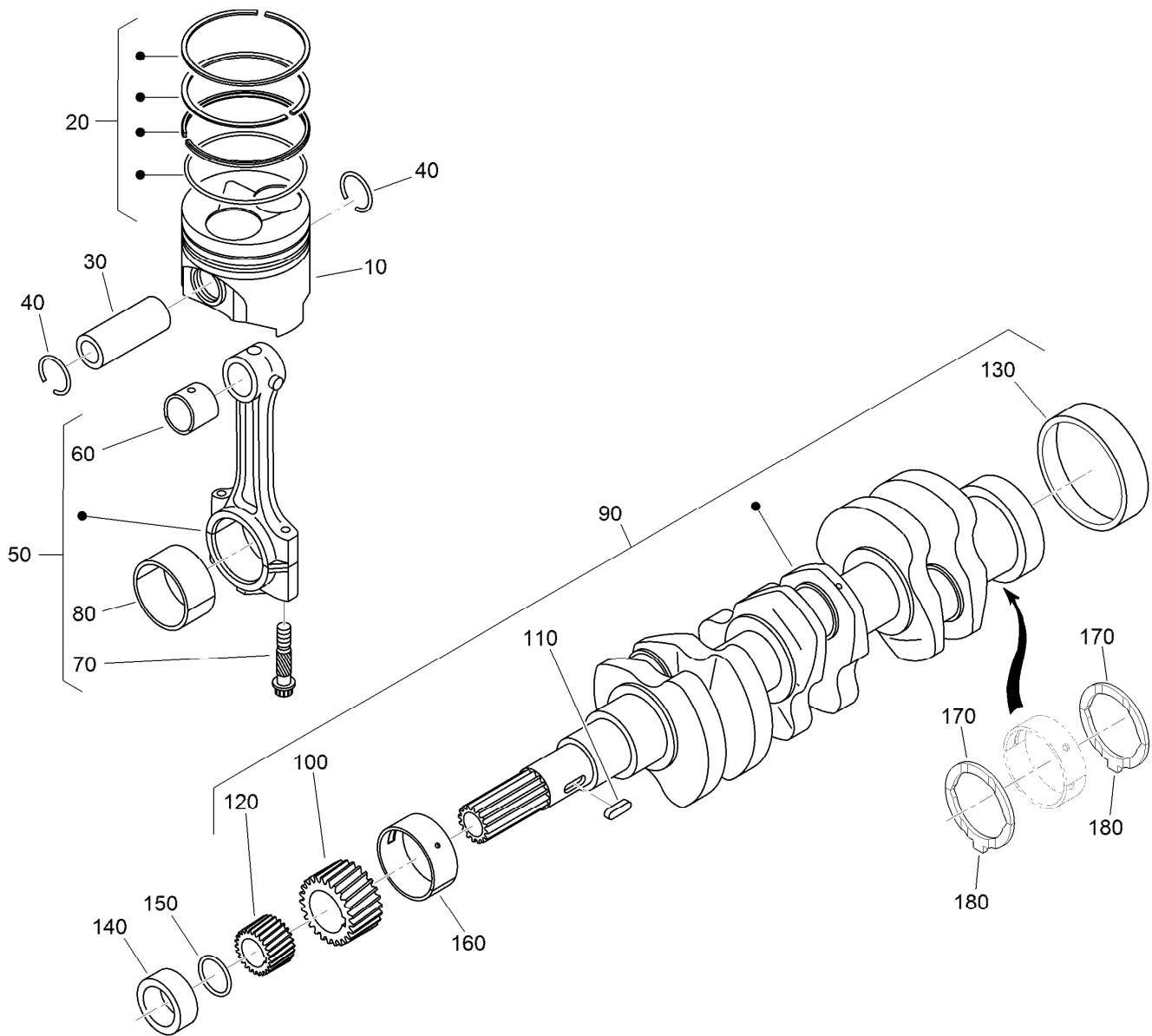
Main Bearing Case Assembly

Ref.	Part Number	Qty.	Description	Ref.	Part Number	Qty.	Description
10	112-7026	1	Wheel Bearing Case ASM	90	115-4106	1	Main Bearing Case ASM
20	98-9484	2	Bolt-Case, Bearing	100	98-9484	2	Bolt-Case, Bearing
25	115-4121	1	Metal-Crankshaft (STD)	105	98-9524	1	Metal-Crankshaft (STD Set)
25	112-7039	1	Metal-Crankshaft (0.2Mm)	105	127-0433	1	Metal-Crankshaft (-0.2MM)
25	112-7040	1	Metal-Crankshaft (-0.4Mm)	105	98-9531	1	Bearing-Main (0.4MM)
30	127-0440	1	Gasket-Case, Bearing	110	98-9485	2	Bolt-Case, Bearing
40	112-7046	1	Cover-Case, Bearing	120	115-4107	1	Main Bearing Case ASM
50	112-0180	1	Seal-Oil	130	98-9484	2	Bolt-Case, Bearing
60	112-7037	1	Gasket-Cover, Case	140	98-9524	1	Metal-Crankshaft (STD Set)
70	127-0441	8	Bolt	140	127-0433	1	Metal-Crankshaft (-0.2MM)
80	127-0442	9	Bolt	140	98-9531	1	Bearing-Main (0.4MM)



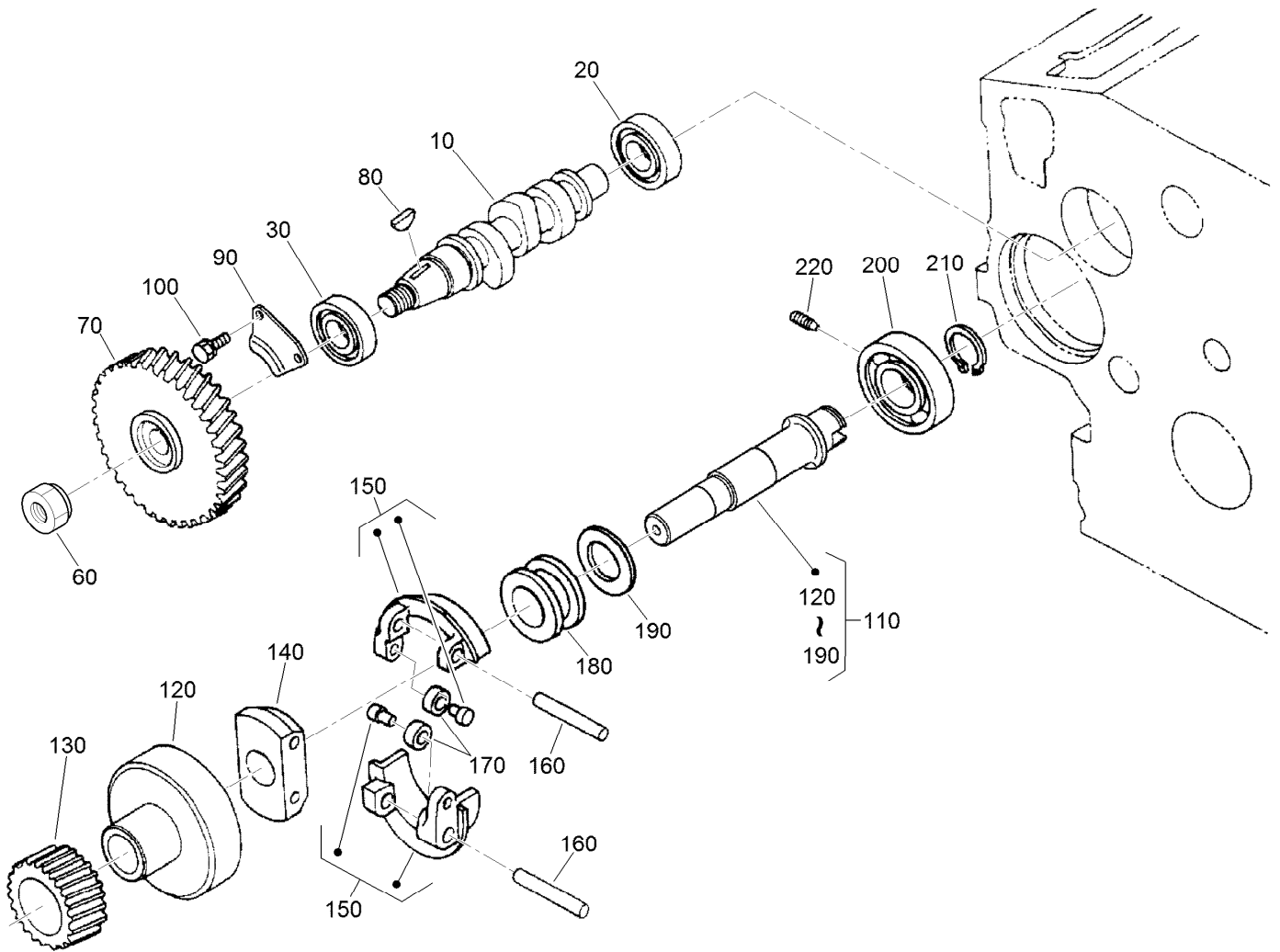
Camshaft and Idle Gear Shaft Assembly

Ref.	Part Number	Qty.	Description
10	112-0185	6	Tappet
20	127-0421	6	Rod-Push
30	130-1505	1	Camshaft ASM
40	110-3729	1	Ball
50	120-3116	1	Camshaft ASM
60	98-9378	1	Key-Feather
70	98-9510	1	Stopper-Camshaft
80	98-7692	2	Bolt
90	117-7584	1	Idle Gear ASM
100	117-7585	1	Bushing-Gear, Idle
110	98-9535	1	Collar-Gear, Idle
120	98-9536	1	Collar-Gear, Idle
130	98-9534	1	Circlip-Gear, Idle
140	98-9533	1	Shaft-Gear, Idle
150	98-7692	3	Bolt



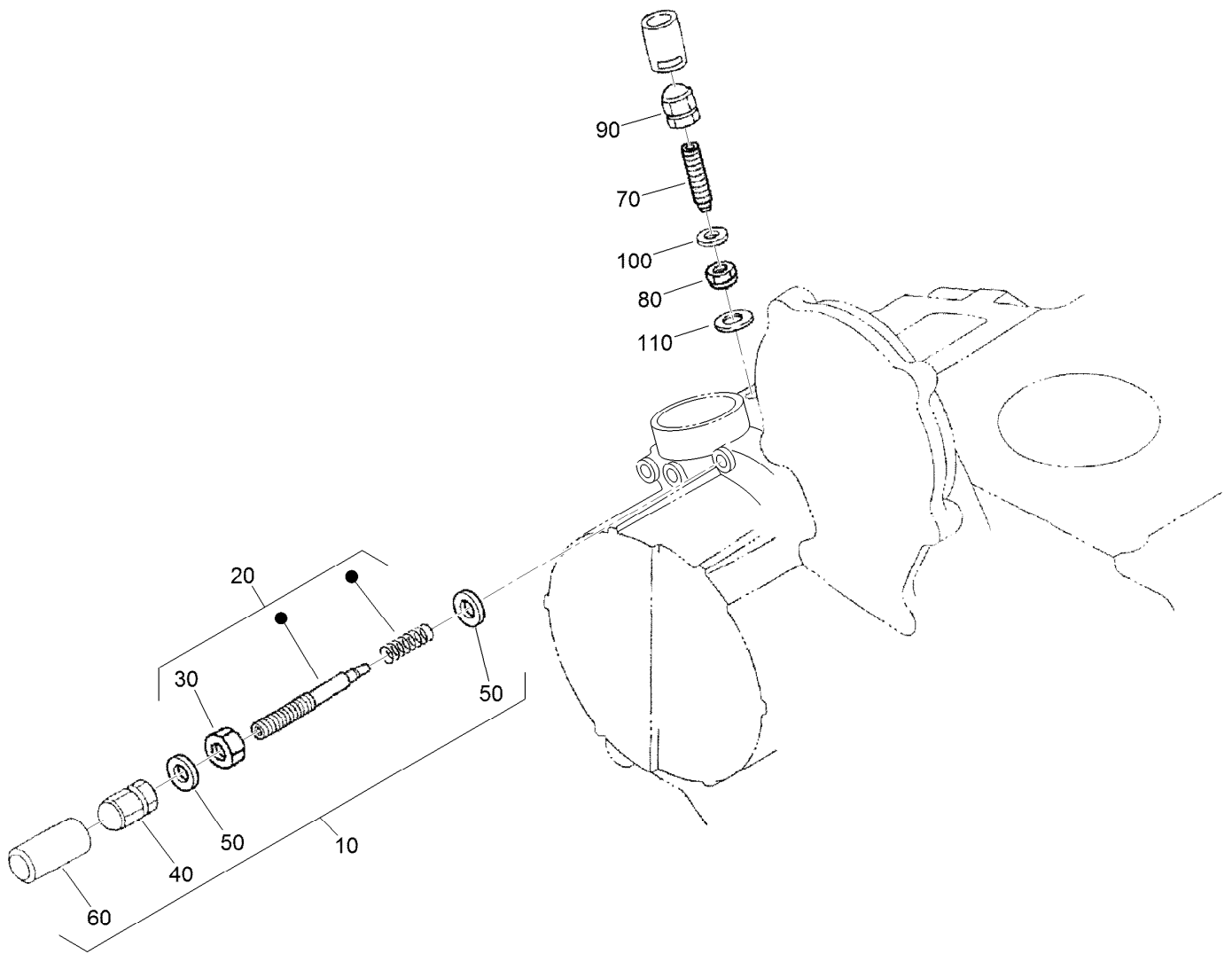
Piston and Crankshaft Assembly

<i>Ref.</i>	<i>Part Number</i>	<i>Qty.</i>	<i>Description</i>	<i>Ref.</i>	<i>Part Number</i>	<i>Qty.</i>	<i>Description</i>
10	130-1546	3	Piston (STD)	110	98-9666	1	Key
10	130-1549	3	Piston (+0.50MM)	120	127-0445	1	Gear-Drive, Oil Pump
20	130-1506	3	Piston Ring ASM (STD)	130	98-9522	1	Sleeve-Crankshaft
20	130-1507	3	Piston Ring ASM (+0.50MM)	140	127-0444	1	Collar-Crankshaft
30	98-9513	3	Pin-Piston	150	105-3783	1	O-Ring
40	98-9514	6	Circlip-Pin, Piston	160	112-7005	1	Bearing-Main (STD)
50	117-7586	3	Connecting Rod ASM	160	98-9528	1	Bearing-Main (-0.2MM)
60	115-3014	3	Bushing-Pin, Piston	160	130-1274	1	Metal-Crankshaft (-0.40Mm)
70	98-9517	6	Bolt-Rod, Connecting	170	98-9413	2	Bearing-Thrust (STD)
80	98-9553	3	Bearing-Rod (STD)	170	127-0416	2	Metal-Side (+0.2Mm)
80	98-9519	3	Bearing-Rod (-0.2MM)	170	127-0417	2	Metal-Side (+0.40Mm)
80	117-7588	3	Metal-Crankpin (-0.4MM)	180	98-9688	2	Bearing-Thrust (STD)
90	130-1375	1	Crankshaft ASM	180	127-0437	2	Metal-Side (+0.2MM)
100	117-7561	1	Gear-Crankshaft	180	127-0438	2	Metal-Side (+0.40MM)



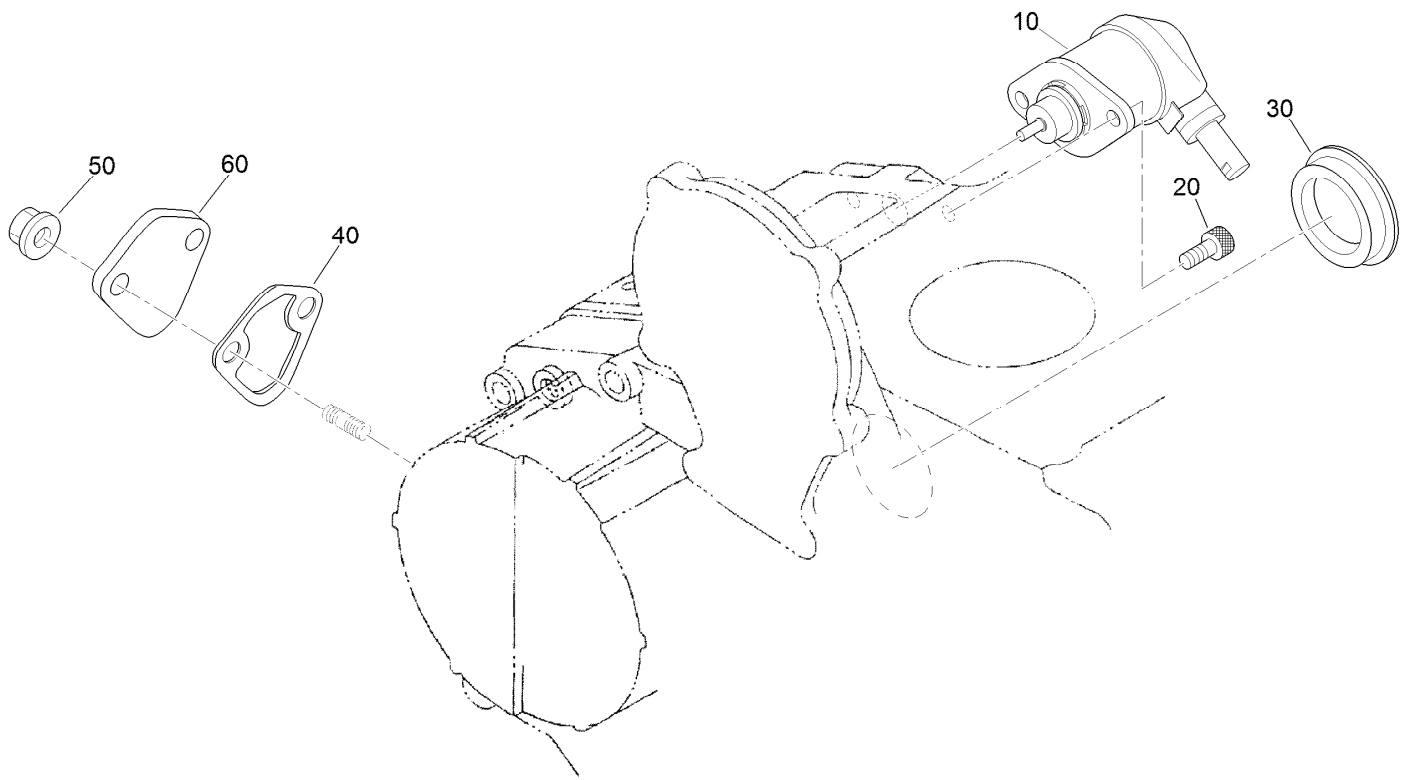
Fuel Camshaft and Governor Shaft Assembly

<i>Ref.</i>	<i>Part Number</i>	<i>Qty.</i>	<i>Description</i>	<i>Ref.</i>	<i>Part Number</i>	<i>Qty.</i>	<i>Description</i>
10	98-9459	1	Camshaft-Fuel	130	98-9673	1	Gear-Governor
20	107-9077	1	Bearing-Ball	140	98-9561	1	Holder-Weight, Governor
30	107-9078	1	Bearing-Ball	150	98-9559	2	Governor Weight ASM
60	130-1512	1	Nut	160	98-9560	2	Shaft-Weight, Governor
70	130-1378	1	Gear-Injection Pump	170	98-9692	2	Roller
80	98-9595	1	Key-Woodruff	180	98-9563	1	Sleeve-Governor
90	98-9511	1	Stopper-Fuel, Camshaft	190	98-9564	1	Washer-Thrust
100	98-7692	2	Bolt	200	107-9079	1	Bearing-Ball
110	130-1255	1	Governor Shaft ASM	210	98-9657	1	Circlip-Shaft, Governor
120	98-9562	1	Holder-Gear, Governor	220	98-9565	1	Screw-Set



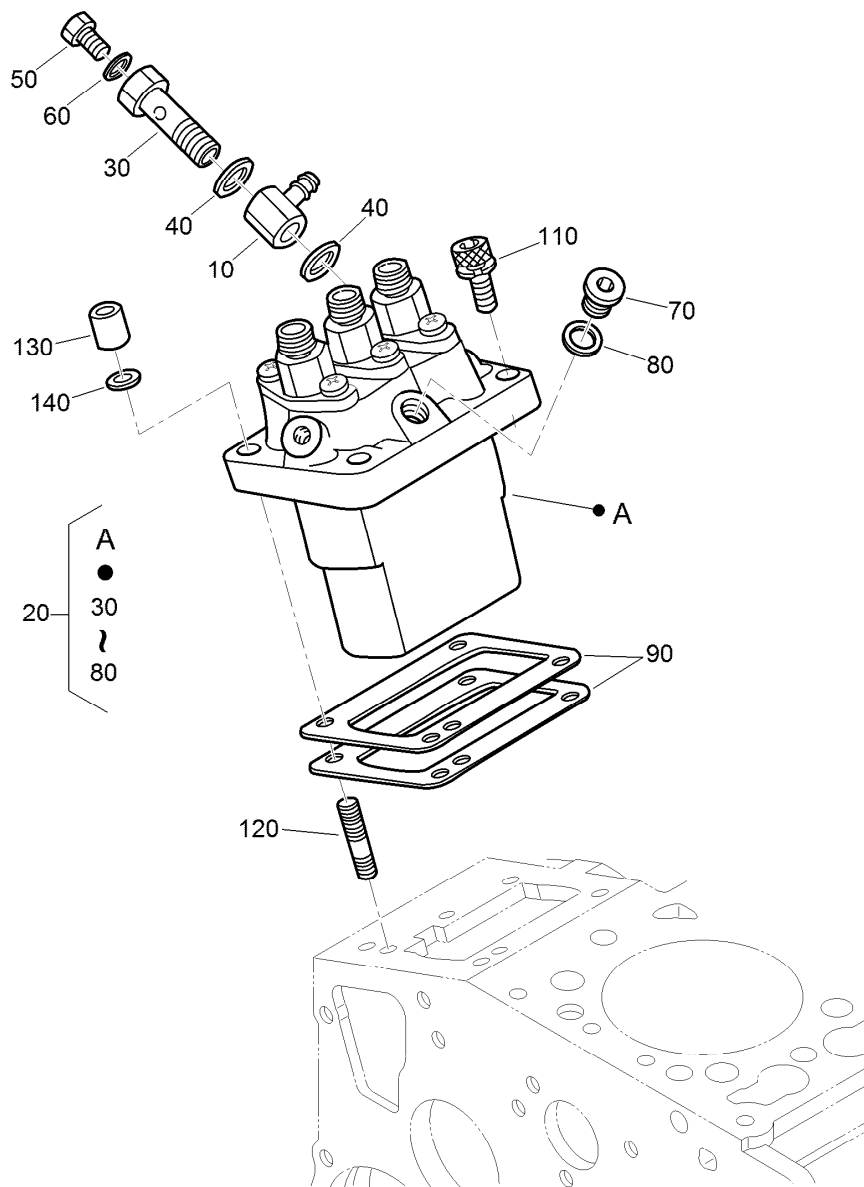
Idle Apparatus Assembly

<i>Ref.</i>	<i>Part Number</i>	<i>Qty.</i>	<i>Description</i>
10	107-7838	1	Apparatus-Idling
20	130-1253	1	Adjusting Bolt ASM
30	98-9439	1	Nut
40	112-0181	1	Nut
50	98-7654	2	Gasket
60	98-7656	1	Cap
70	112-7015	1	Bolt-Adjusting
80	100-2175	1	Nut-Lock
90	112-0181	1	Nut
100	98-7654	1	Gasket
110	107-9081	1	Gasket



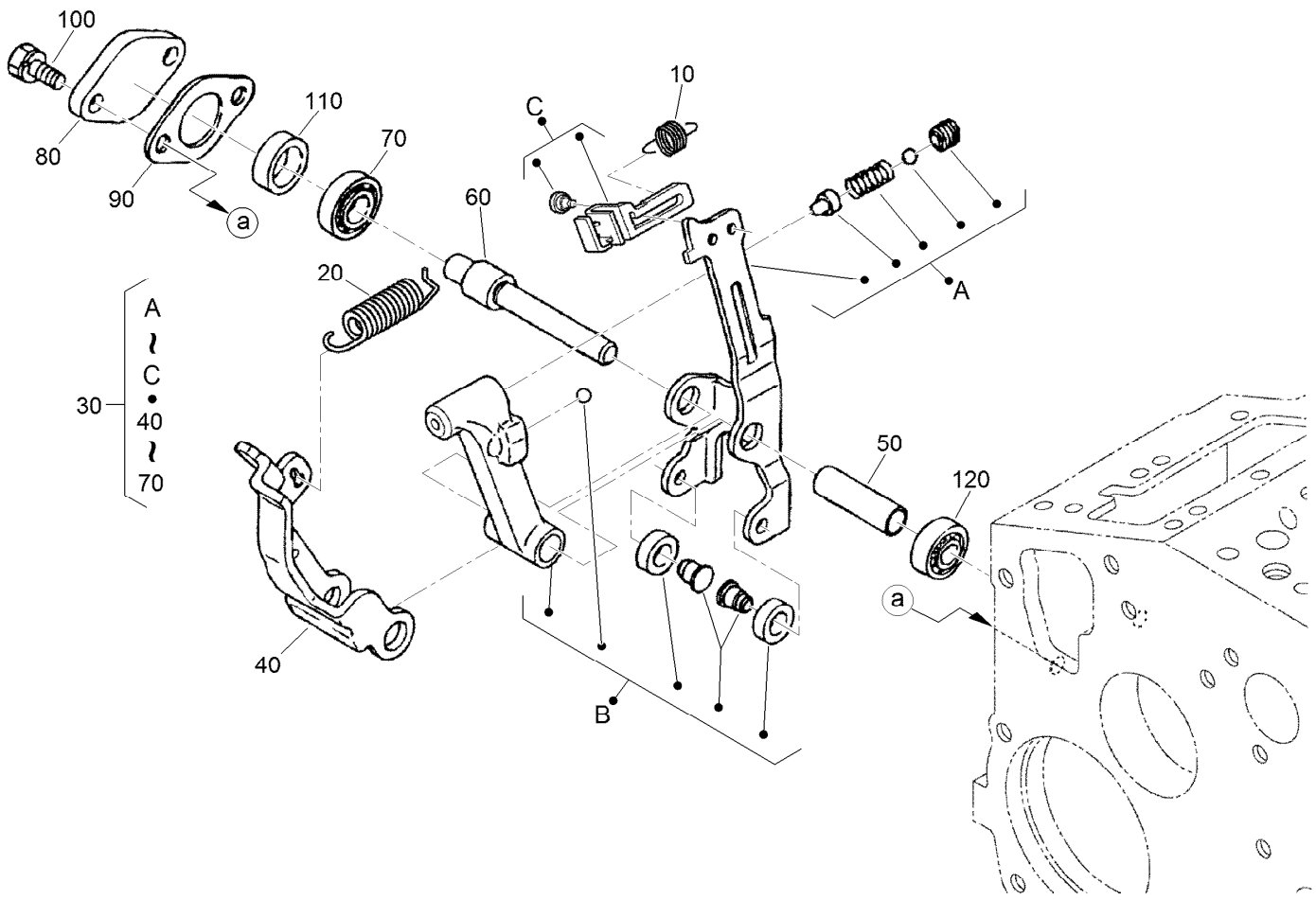
Stop Solenoid and Fuel Pump Cover Assembly

<i>Ref.</i>	<i>Part Number</i>	<i>Qty.</i>	<i>Description</i>
10	104-5155	1	Solenoid-Stop
20	130-1155	2	Screw-HSH
30	99-3514	1	Cover
40	117-7562	1	Gasket-Pump, Fuel
50	100-2203	2	Nut-Flange
60	112-7016	1	Cover-Pump



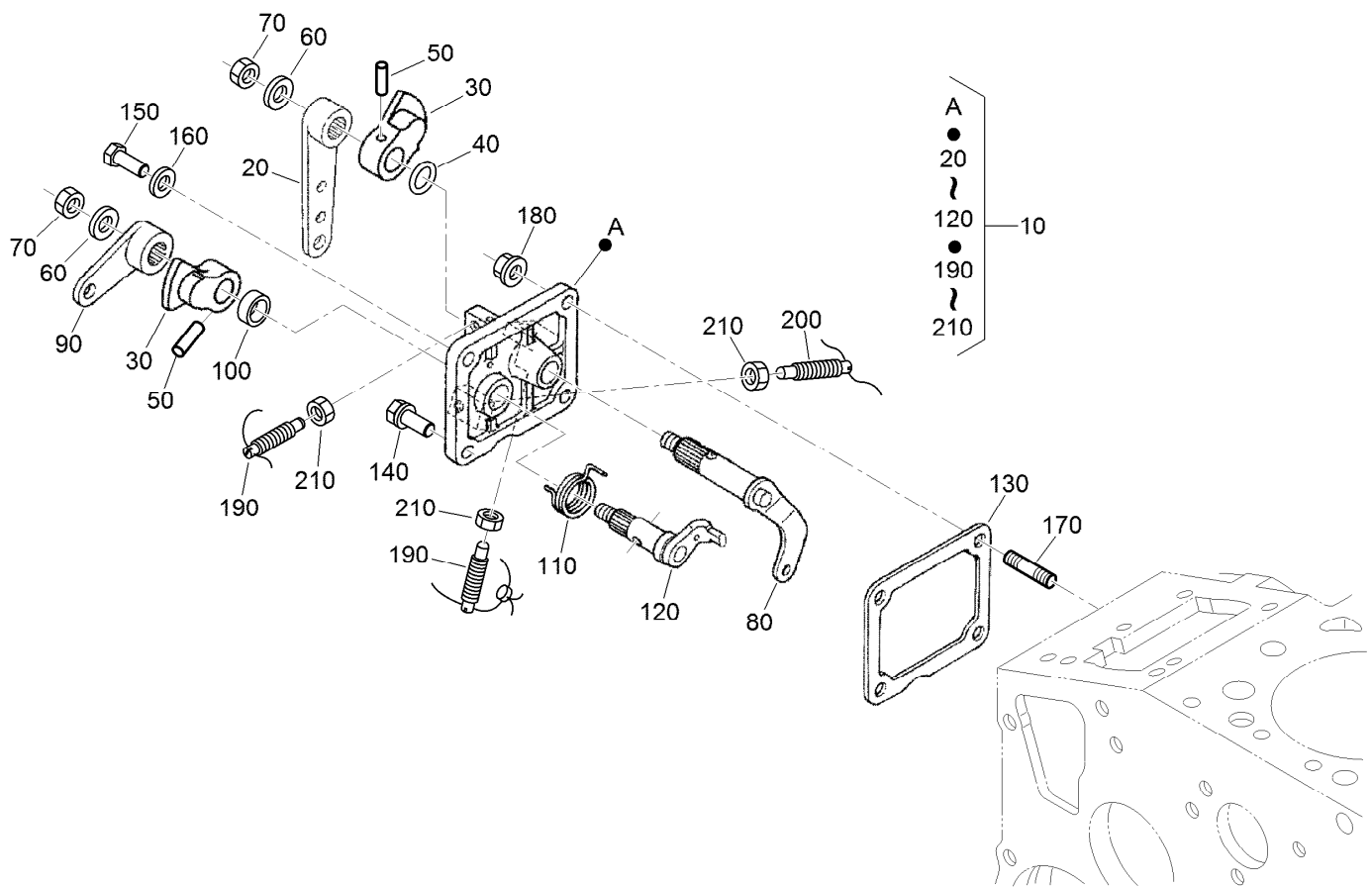
Injection Pump Assembly

<i>Ref.</i>	<i>Part Number</i>	<i>Qty.</i>	<i>Description</i>	<i>Ref.</i>	<i>Part Number</i>	<i>Qty.</i>	<i>Description</i>
10	98-9596	1	Joint-Eye	90	98-9457	1	Shim-Injection (0.25MM)
20	98-9643	1	Injection Pump ASM	90	98-9458	1	Shim-Injection (0.30MM)
30	98-9464	1	Bolt-Joint	90	115-3046	1	Shim-Injection (0.35MM)
40	98-9445	2	Gasket	90	115-3045	1	Shim-Injection (0.175MM)
50	98-9430	1	Screw	110	117-7564	2	Bolt-Hex Soc HD
60	98-9446	1	Gasket	120	98-9438	2	Stud
70	98-9466	1	Plug	130	98-9440	2	Nut-Cap
80	98-9451	1	Gasket	140	98-7699	2	Washer-Spring
90	98-9456	1	Shim-Injection (0.20MM)				



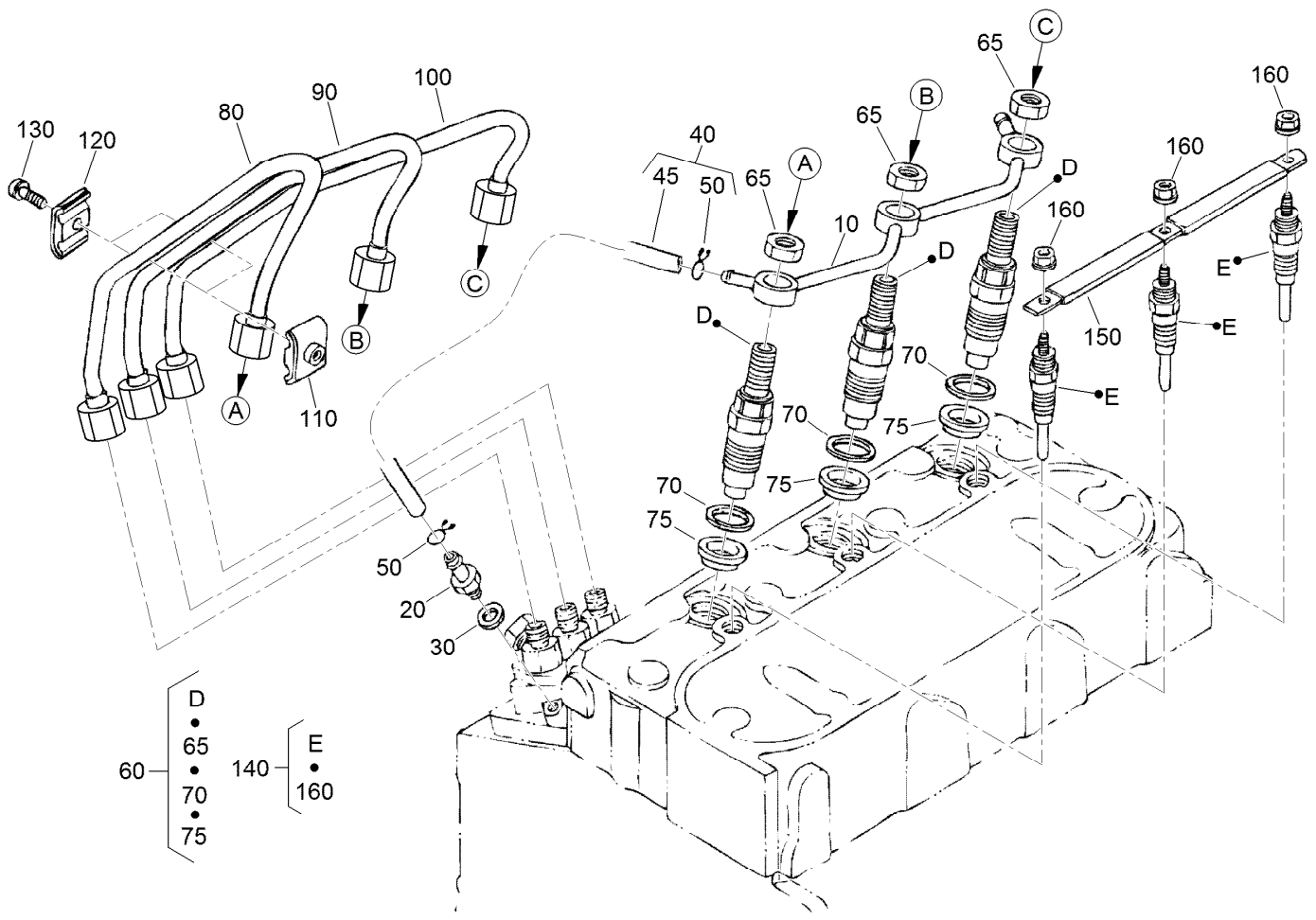
Governor Assembly

<i>Ref.</i>	<i>Part Number</i>	<i>Qty.</i>	<i>Description</i>
10	105-3786	1	Spring-Start
20	107-7839	1	Spring-Governor
30	107-7840	1	Fork Lever ASM
40	107-9084	1	Lever-Fork
50	107-9085	1	Shaft-Lever, Fork
60	107-9086	1	Shaft-Lever, Fork
70	98-9570	1	Bearing-Miniaturize
80	115-4122	1	Cover-Shaft, Fork Lever
90	98-9682	1	Gasket
100	98-9350	2	Bolt
110	98-9567	1	Collar
120	98-9571	1	Bearing-Miniaturize



Speed Control Plate Assembly

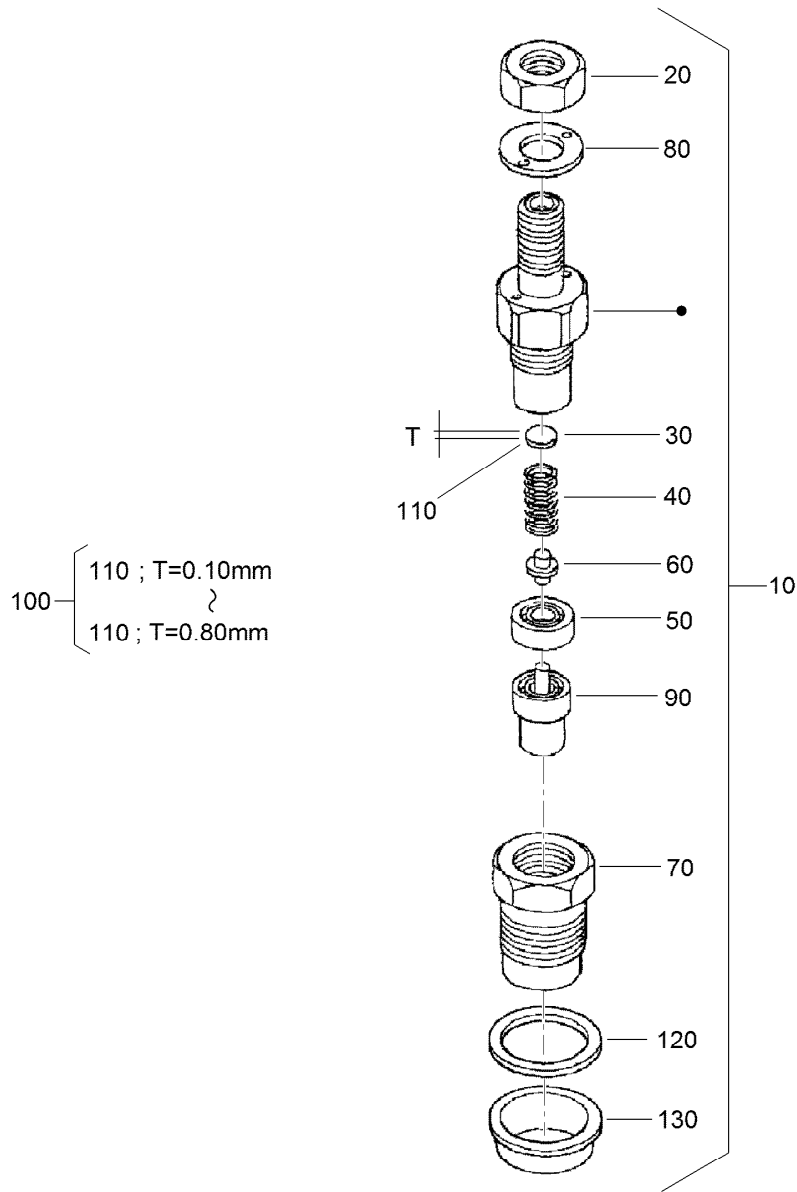
<i>Ref.</i>	<i>Part Number</i>	<i>Qty.</i>	<i>Description</i>	<i>Ref.</i>	<i>Part Number</i>	<i>Qty.</i>	<i>Description</i>
10	105-3735	1	Control Plate ASM	120	98-9664	1	Shaft-Lever, Stop
20	98-9662	1	Lever-Control, Speed	130	98-9637	1	Gasket
30	98-9572	2	Lever-Control, Speed	140	98-7692	1	Bolt
40	105-3788	1	O-Ring	150	127-0401	1	Bolt-Hex
50	98-7602	2	Pin-Spring	160	98-7654	1	Gasket
60	98-9594	2	Washer-Plain	170	105-3710	2	Stud
70	98-9589	2	Nut	180	100-2203	2	Nut-Flange
80	98-9658	1	Governor Lever ASM	190	117-7565	2	Bolt-Adjusting
90	98-9663	1	Lever-Stop, Engine	200	117-7566	1	Bolt-Adjusting
100	98-7601	1	Seal-Oil	210	98-7572	3	Nut
110	98-9472	1	Spring-Return				



Nozzle Holder and Glow Plug Assembly

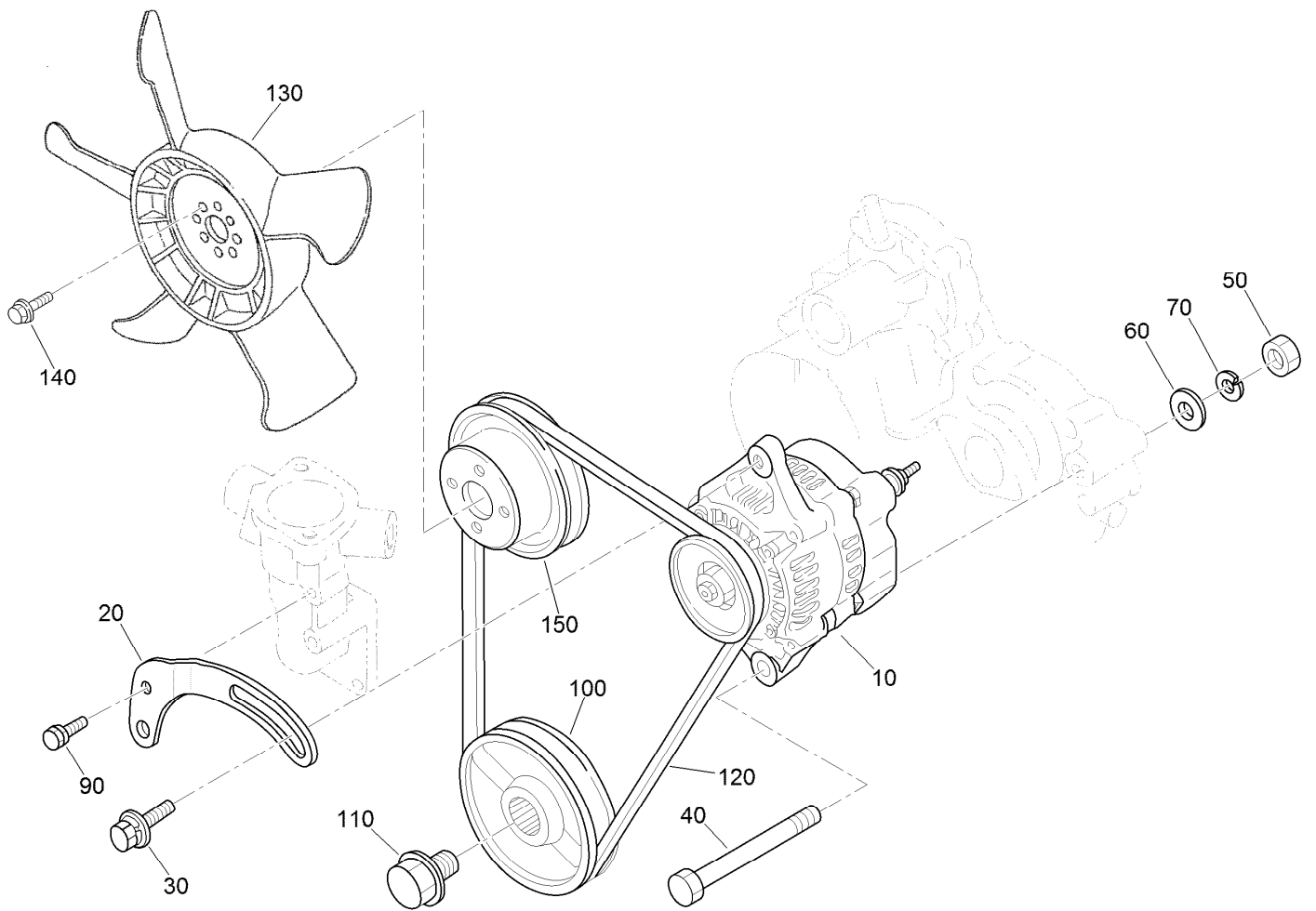
<i>Ref.</i>	<i>Part Number</i>	<i>Qty.</i>	<i>Description</i>
10	98-9620	1	Overflow Pipe ASM
20	98-9431	1	Screw-Bleeder, Air
30	98-7654	1	Gasket
40	98-9420	1	Overflow Pipe ASM
45	112-0182	1	Pipe-Overflow
50	98-7671	2	Clip-Pipe
60	115-3018	3	Nozzle Holder Kit
65	121-2411	3	Nut
70	98-7676	3	Gasket
75	98-7677	3	Seal-Heat

<i>Ref.</i>	<i>Part Number</i>	<i>Qty.</i>	<i>Description</i>
80	98-9622	1	Pipe-Injection
90	98-9654	1	Pipe-Injection
100	98-9655	1	Pipe-Injection
110	98-7682	2	Clamp-Pipe
120	98-7683	2	Clamp-Pipe
130	98-7684	2	Screw (W/Washer)
140	130-1411	3	Plug-Glow
150	98-9631	1	Cord-Plug, Glow
160	99-8377	3	Nut-Flange



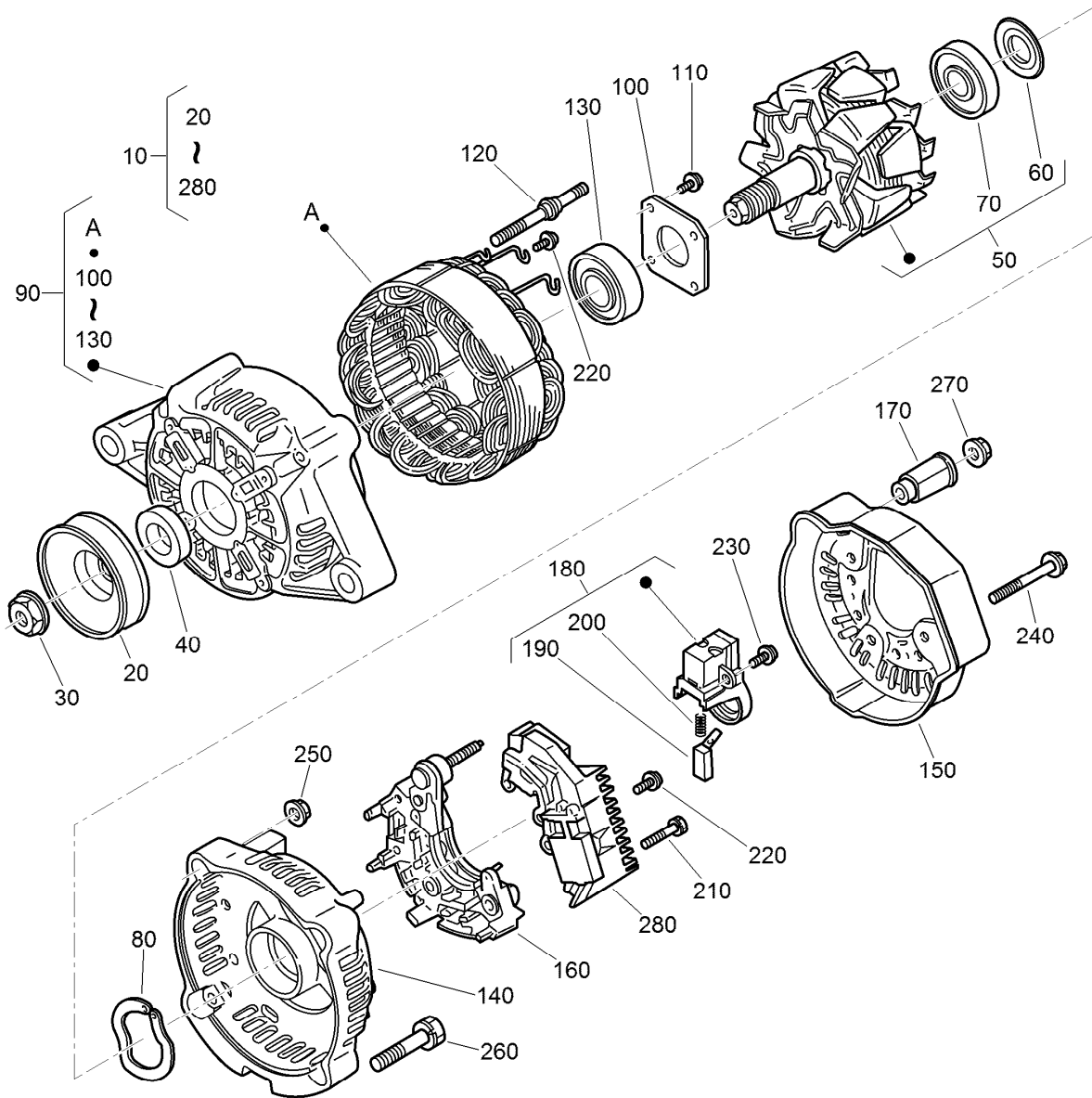
Nozzle Holder Assembly

Ref.	Part Number	Qty.	Description	Ref.	Part Number	Qty.	Description
10	115-3018	3	Nozzle Holder Kit	110	99-8311	3	Washer-Adjust (0.20MM)
20	121-2411	3	Nut	110	99-8312	3	Washer-Adjust (0.30MM)
30	99-8302	3	Washer-Adjusting	110	99-8313	3	Washer-Adjust (0.40MM)
40	99-8303	3	Spring-Nozzle	110	99-8314	3	Washer-Adjust (0.50MM)
50	99-8304	3	Spacer-Distance	110	99-8315	3	Washer-Adjust (0.52MM)
60	99-8305	3	Rod-Push	110	99-8316	3	Washer-Adjust (0.54MM)
70	99-8306	3	Nut-Nozzle	110	99-8317	3	Washer-Adjust (0.56MM)
80	99-8307	3	Washer-Plain	110	99-8318	3	Washer-Adjust (0.58MM)
90	115-3020	3	Piece-Nozzle	110	99-8319	3	Washer-Adjust (0.80MM)
100	99-8309	3	Adjusting Washer ASM	120	98-7676	3	Gasket
110	99-8310	3	Washer-Adjust (0.10MM)	130	98-7677	3	Seal-Heat



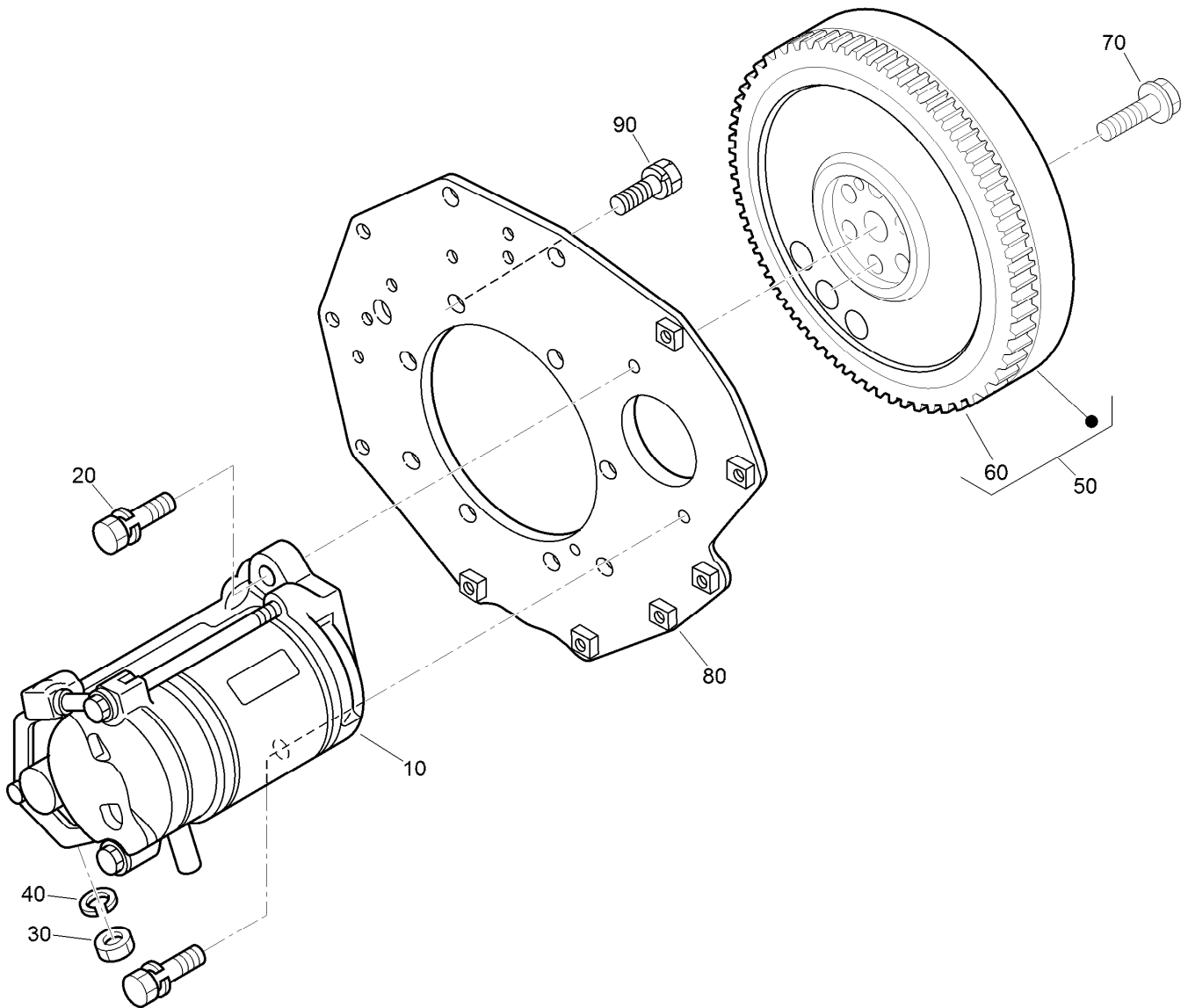
Alternator, Pulley and Fan Assembly

Ref.	Part Number	Qty.	Description
10	98-9474	1	Alternator ASM
20	112-7047	1	Stay-Dynamo
30	108-7088	1	Bolt
40	98-9360	1	Bolt
50	98-7737	1	Nut
60	98-9366	1	Washer-Plain
70	98-7738	1	Washer-Spring
90	98-7692	1	Bolt
100	99-3456	1	Pulley-Drive, Fan
110	98-9585	1	Bolt
120	130-1241	1	V Belt
130	99-3461	1	Fan
140	99-8363	4	Bolt-Flange
150	99-3453	1	Pulley-Fan



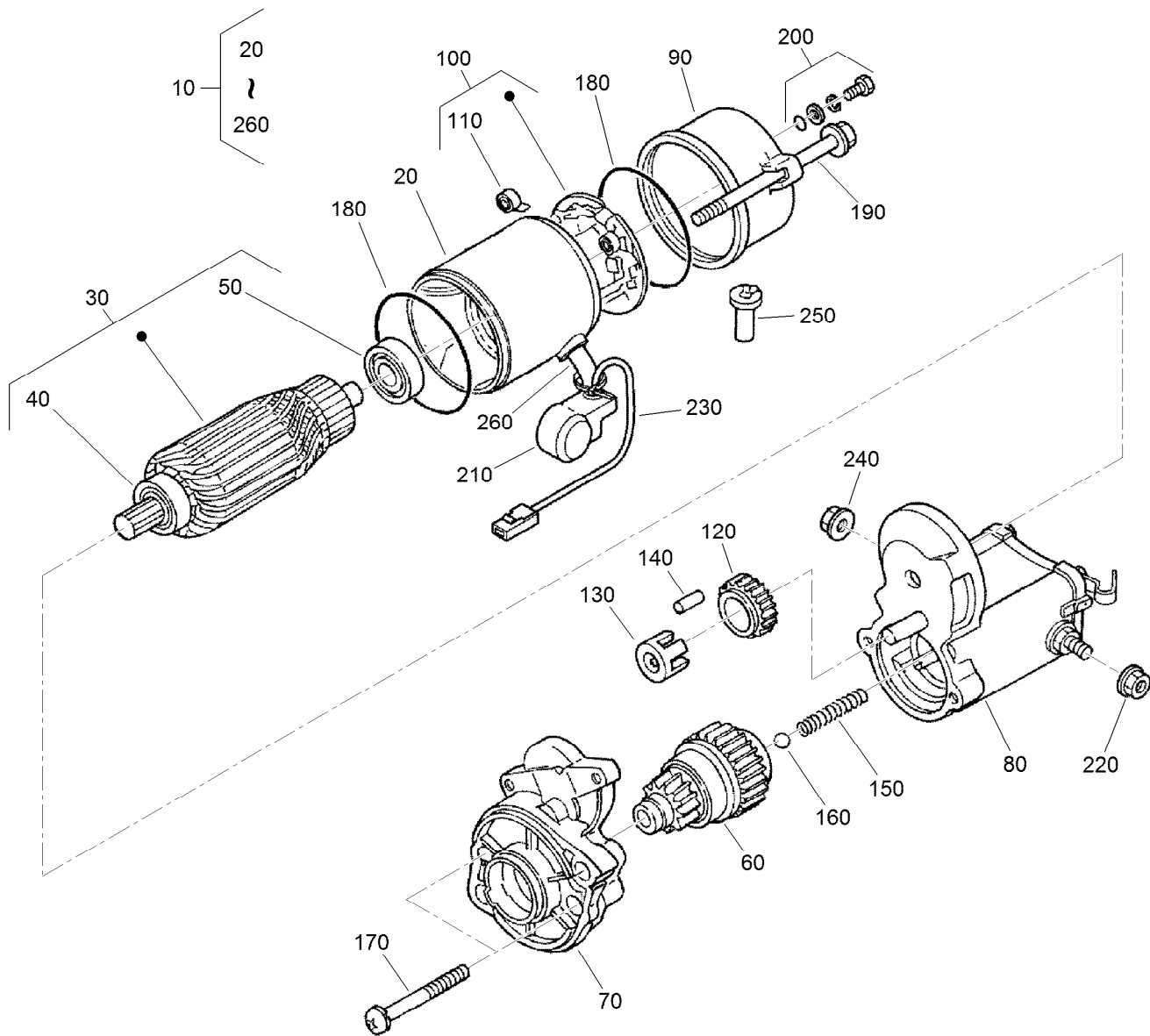
Alternator Components Assembly

Ref.	Part Number	Qty.	Description	Ref.	Part Number	Qty.	Description
10	98-9474	1	Alternator ASM	150	107-0140	1	Cover-End
20	98-9453	1	Pulley-Dynamo	160	127-1612	1	Rectifier ASM
30	98-7708	1	Nut	170	98-7722	1	Bushing-Insulation
40	98-7709	1	Collar	180	107-0141	1	Brush Holder ASM
50	107-0136	1	Rotor ASM	190	98-7724	2	Brush
60	98-7711	1	Cover-Bearing	200	98-7725	2	Spring-Brush
70	107-0138	1	Bearing-Ball	210	98-7726	2	Screw-Head, Round
80	98-7713	1	Washer-Thrust	220	98-7727	6	Screw-Head, Round
90	107-0139	1	Drive End Frame ASM	230	98-7728	1	Screw-Head, Round
100	98-7715	1	Plate-Retainer	240	98-7729	3	Bolt
110	98-7716	4	Screw-Head, Round	250	98-7730	2	Nut
120	98-7717	2	Bolt-Through	260	98-7731	2	Bolt
130	133-2811	1	Bearing	270	98-7732	1	Nut
140	107-9087	1	Frame-End	280	110-3799	1	Regulator ASM



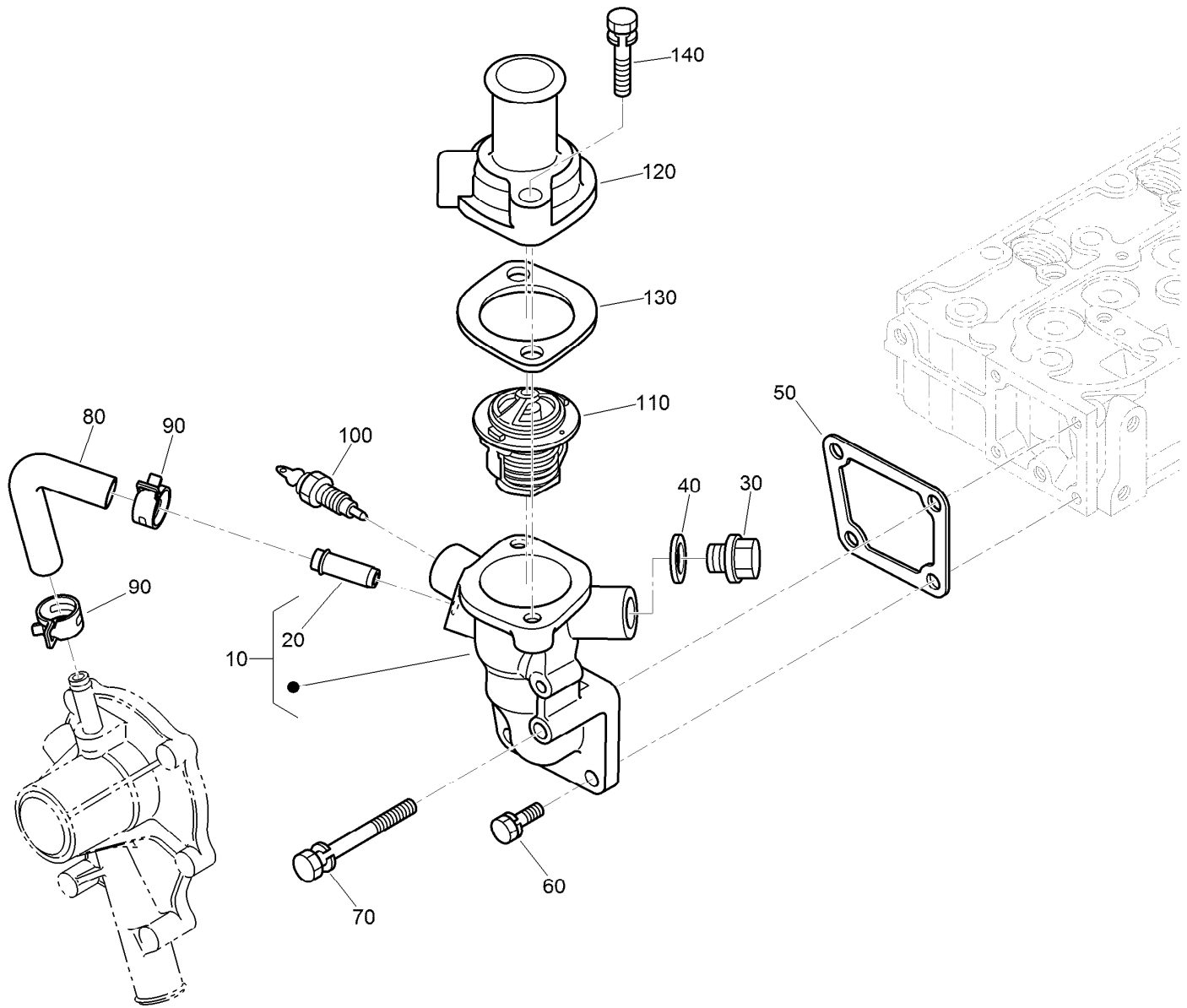
Starter and Flywheel Assembly

Ref.	Part Number	Qty.	Description
10	98-9705	1	Starter ASM
20	98-7697	2	Bolt
30	98-7739	1	Nut
40	105-2893	1	Washer-Spring
50	105-3784	1	Flywheel ASM
60	115-3015	1	Gear-Ring
70	98-9537	6	Bolt-Flywheel
80	98-9486	1	Plate-End, Rear
90	98-9392	8	Bolt



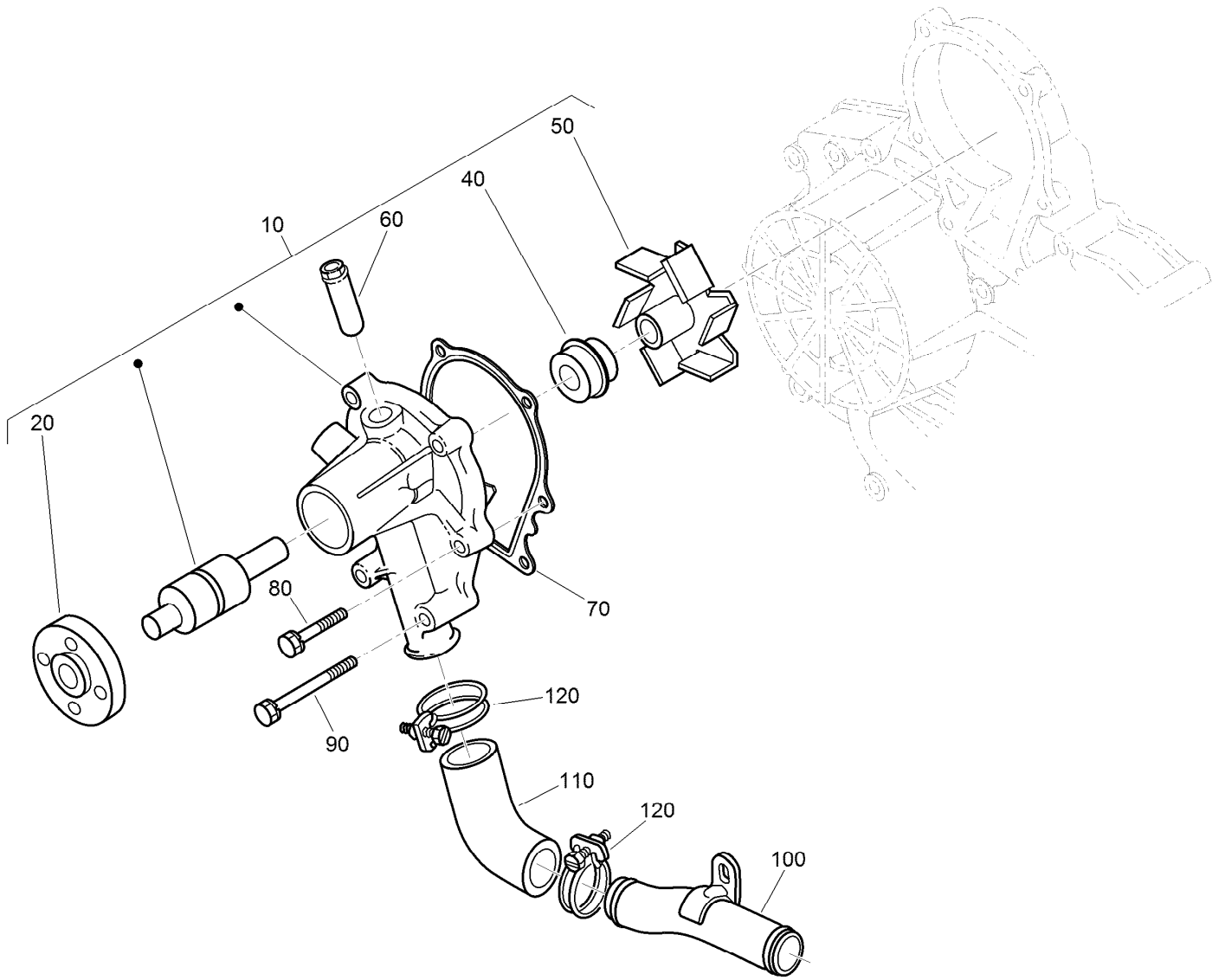
Starter Component Assembly

<i>Ref.</i>	<i>Part Number</i>	<i>Qty.</i>	<i>Description</i>	<i>Ref.</i>	<i>Part Number</i>	<i>Qty.</i>	<i>Description</i>
10	98-9705	1	Starter ASM	140	98-7753	5	Roller
20	104-8608	1	Yoke ASM	150	98-7754	1	Spring
30	98-7742	1	Armature ASM	160	98-7755	1	Ball
40	98-7744	1	Bearing	170	98-7756	2	Bolt
50	98-7743	1	Bearing	180	98-7757	2	O-Ring
60	99-8373	1	Clutch-Running, Over	190	100-9240	2	Bolt
70	99-8374	1	Frame-End, Drive	200	98-7758	2	Bolt ASM
80	105-3746	1	Magnetic Switch ASM	210	99-8375	1	Cover
90	98-7748	1	Frame-End	220	99-8371	1	Nut-Hex
100	98-7749	1	Brush Holder ASM	230	98-9711	1	Cord-Solenoid, Stop
110	98-7750	4	Spring-Brush	240	99-8376	1	Nut-Hex
120	98-7751	1	Gear	250	98-7759	1	Pipe-Drain
130	98-7752	1	Retainer	260	98-9712	1	Band-Cover



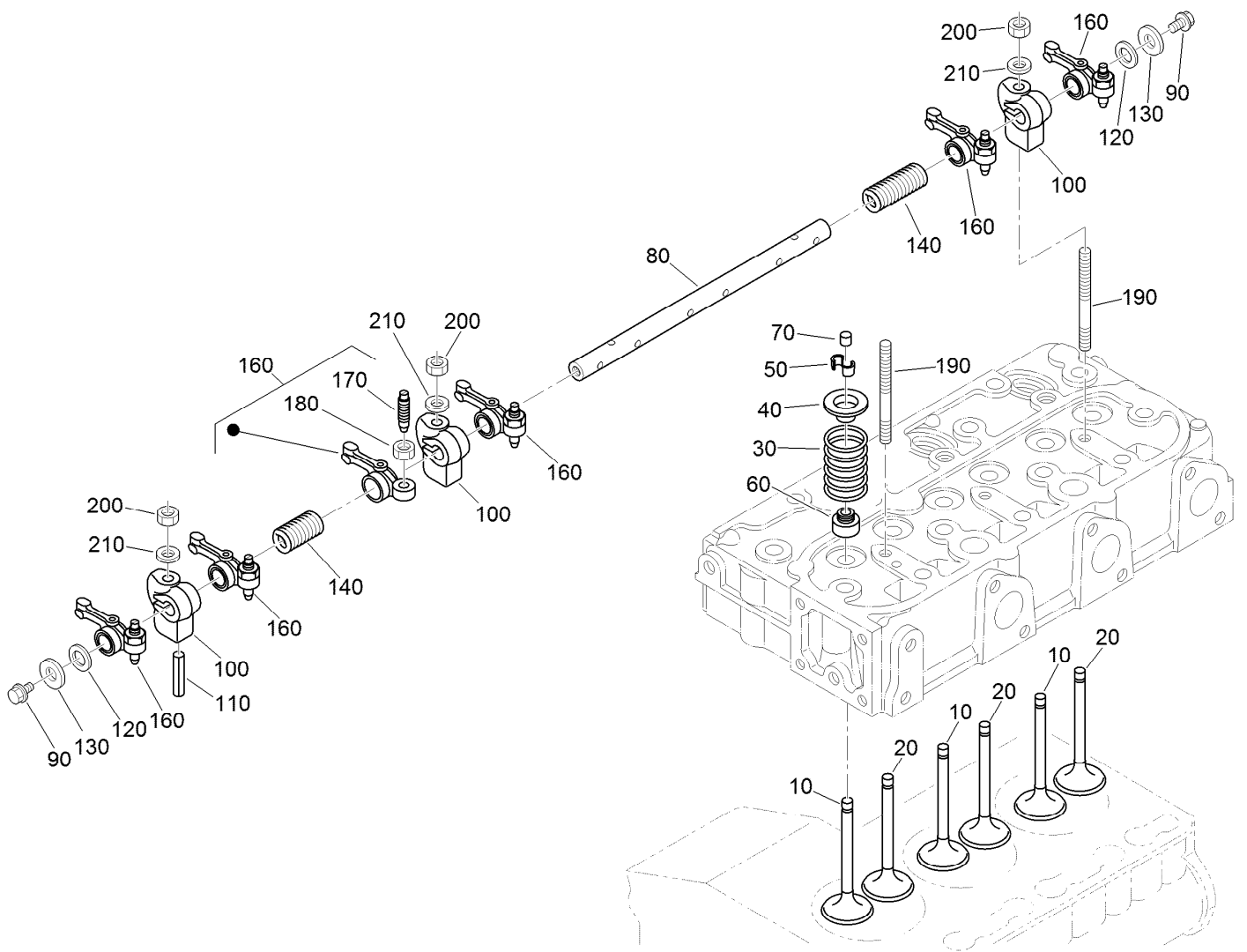
Water Flange and Thermostat Assembly

<i>Ref.</i>	<i>Part Number</i>	<i>Qty.</i>	<i>Description</i>
10	98-9713	1	Water Flange ASM
20	98-9580	1	Pipe-Return, Water
30	105-3747	1	Plug
40	99-3583	1	Gasket
50	98-9638	1	Gasket-Flange, Water
60	98-7692	3	Bolt
70	98-9356	1	Bolt
80	98-9578	1	Pipe-Return, Water
90	125-9078	2	Clamp-Hose
100	98-9719	1	Thermoswitch
110	98-7778	1	Thermostat ASM
120	98-9471	1	Cover-Thermostat
130	105-3748	1	Gasket-Thermostat
140	98-7777	2	Bolt



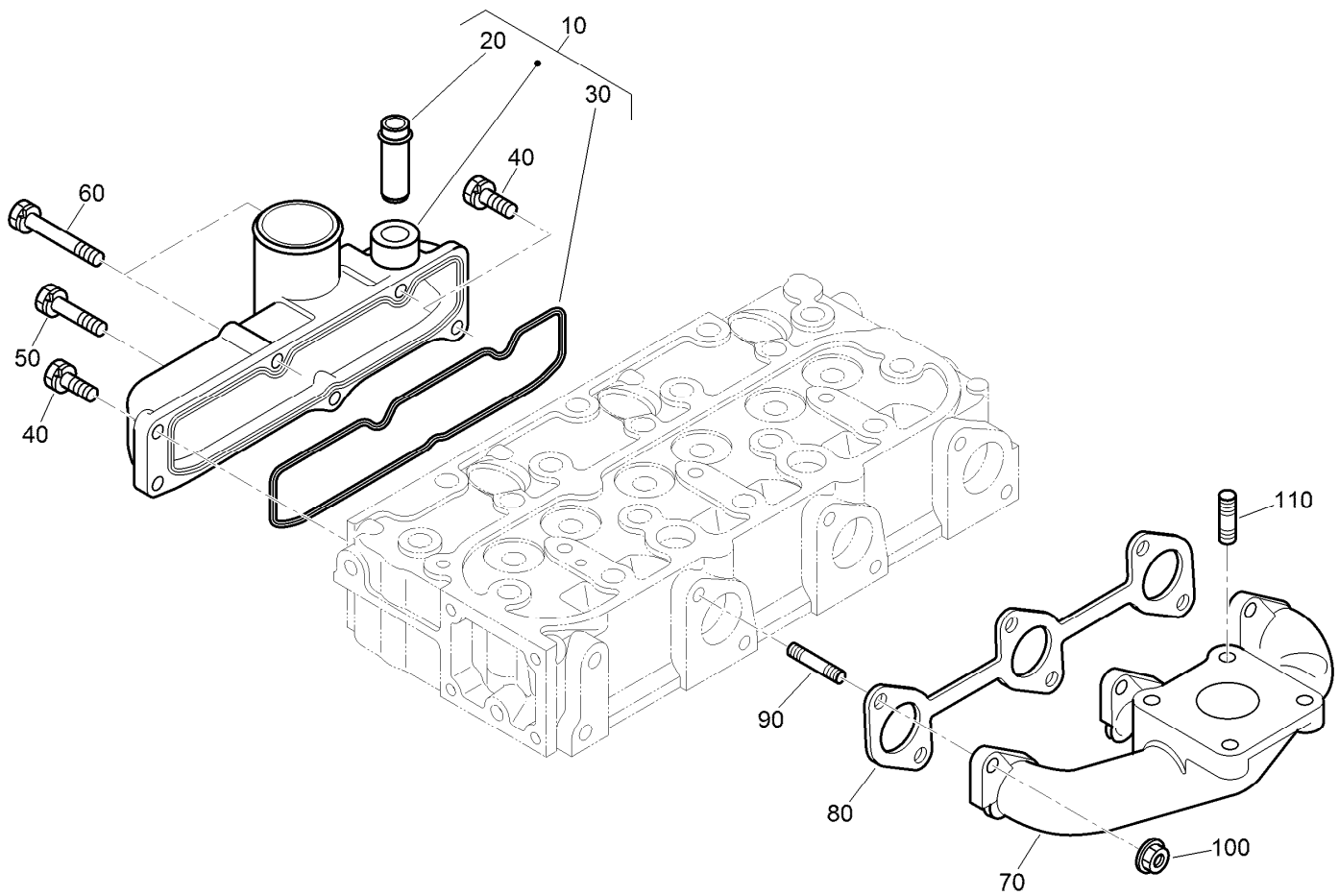
Water Pump and Water Pipe Assembly

<i>Ref.</i>	<i>Part Number</i>	<i>Qty.</i>	<i>Description</i>
10	107-9089	1	Water Pump ASM
20	99-3516	1	Flange-Pump, Water
40	105-3750	1	Mechanical Seal ASM
50	112-7017	1	Impeller-Pump, Water
60	100-1932	1	Pipe-Return, Water
70	99-3454	1	Gasket-Pump, Water
80	98-9353	4	Bolt
90	98-9357	2	Bolt
100	98-9716	1	Pipe-Water
110	107-9091	1	Pipe-Water
120	127-0439	2	Clamp-Hose



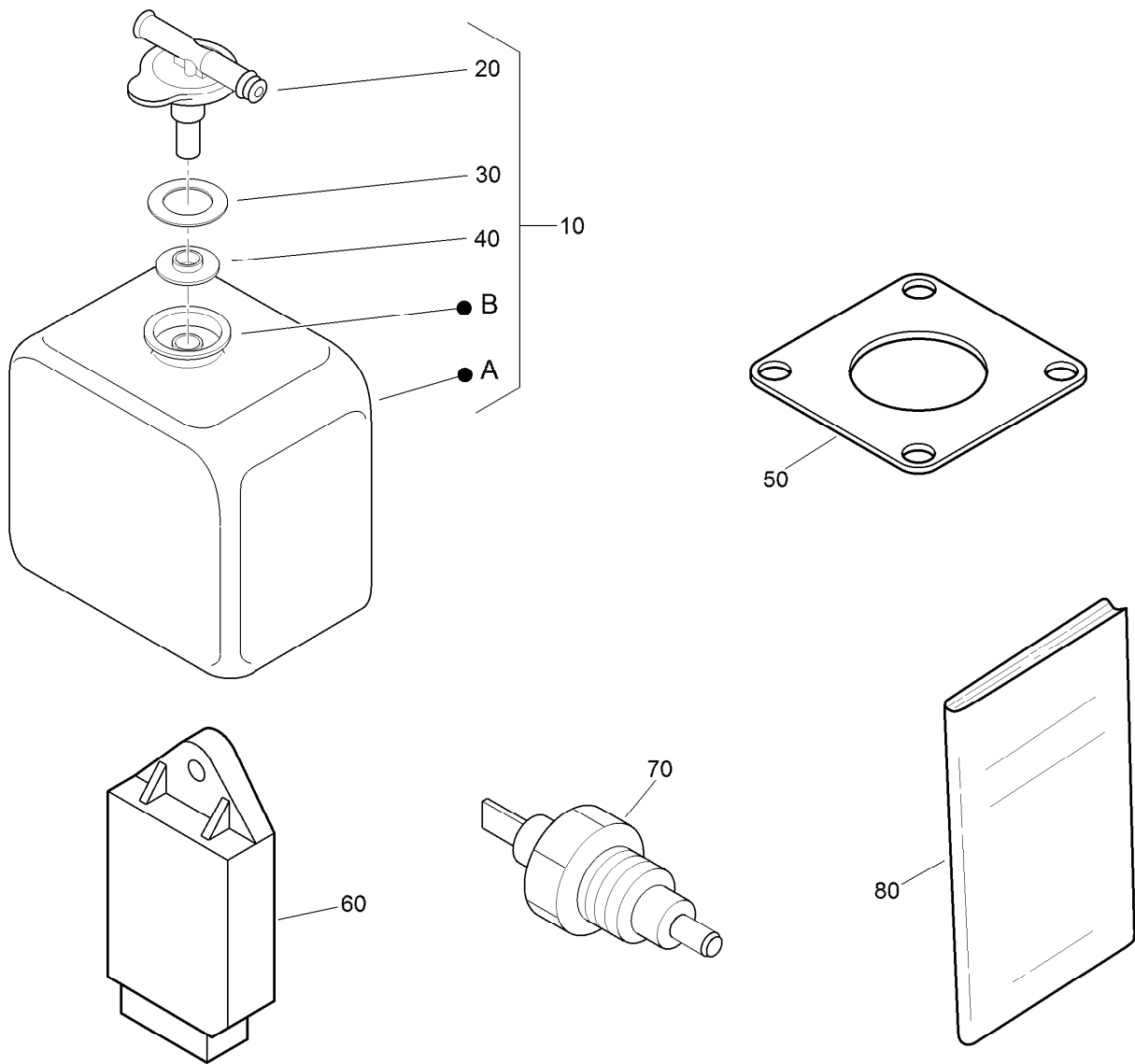
Valve and Rocker Arm Assembly

<i>Ref.</i>	<i>Part Number</i>	<i>Qty.</i>	<i>Description</i>	<i>Ref.</i>	<i>Part Number</i>	<i>Qty.</i>	<i>Description</i>
10	112-7018	3	Valve-Inlet	110	105-3758	1	Pin-Spring
20	120-2564	3	Valve-Exhaust	120	98-9507	2	Washer-Shaft, Rocker Arm
30	98-9648	6	Spring-Valve	130	110-3832	2	Washer-Plain
40	107-9092	6	Retainer-Spring	140	98-9504	2	Spring-Arm, Rocker
50	117-7572	6	Collet-Spring, Valve	160	112-7020	6	Rocker Arm ASM
60	99-8385	6	Seal-Stem, Valve	170	98-9502	6	Screw-Adjusting
70	98-9497	6	Cap-Valve	180	98-9503	6	Nut
80	130-1248	1	Shaft-Arm, Rocker	190	98-9506	3	Stud
90	99-8363	2	Bolt-Flange	200	98-9393	3	Nut
100	98-9505	3	Bracket-Arm, Rocker	210	98-9385	3	Washer-Flat



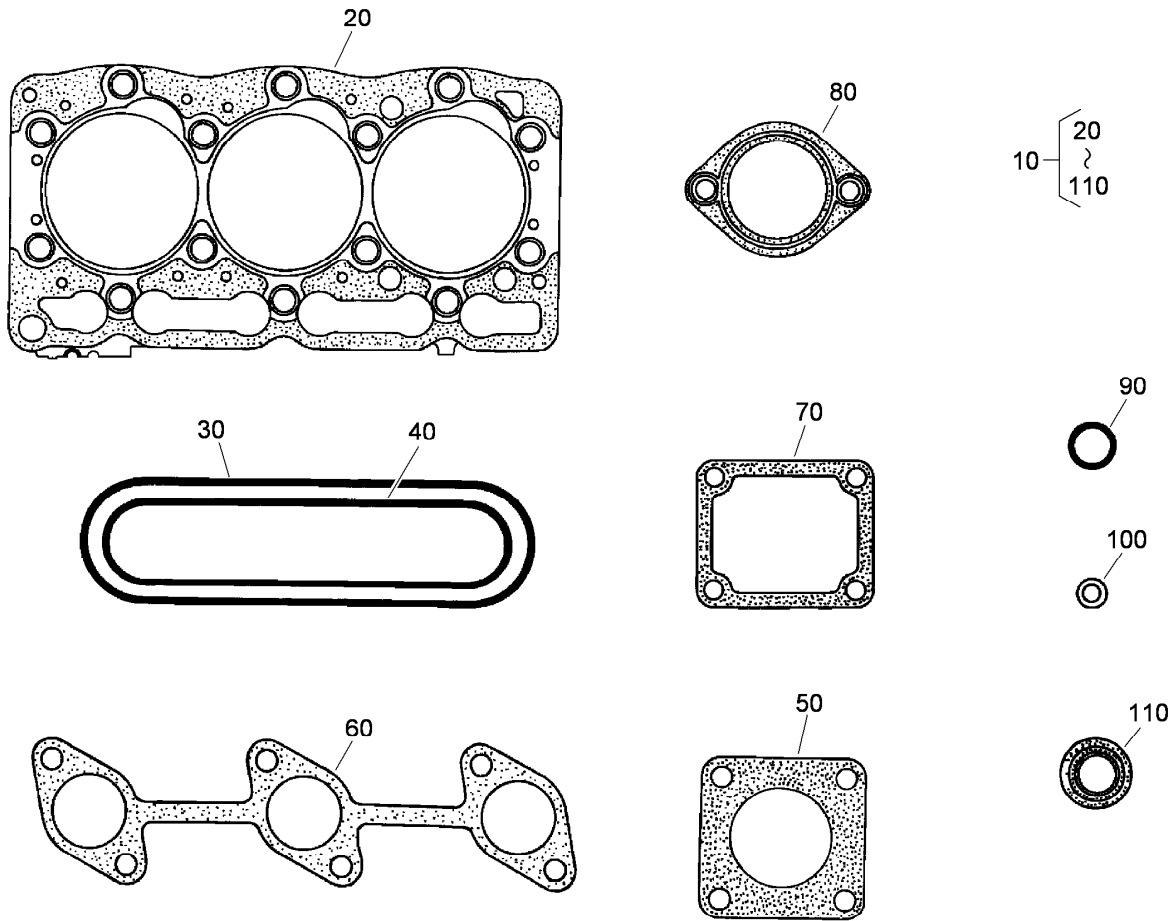
Inlet and Exhaust Manifold Assembly

<i>Ref.</i>	<i>Part Number</i>	<i>Qty.</i>	<i>Description</i>
10	107-7843	1	Manifold Inlet ASM
20	98-9492	1	Joint-Pipe, Breather
30	98-9609	1	Gasket-Manifold, Inlet
40	127-0403	3	Bolt-Flange
50	98-9353	1	Bolt
60	125-9063	2	Bolt-Sems
70	107-9093	1	Manifold-Exhaust
80	99-8327	1	Gasket-Manifold, Exhaust
90	98-9588	6	Stud
100	98-9665	6	Nut
110	98-7769	4	Stud



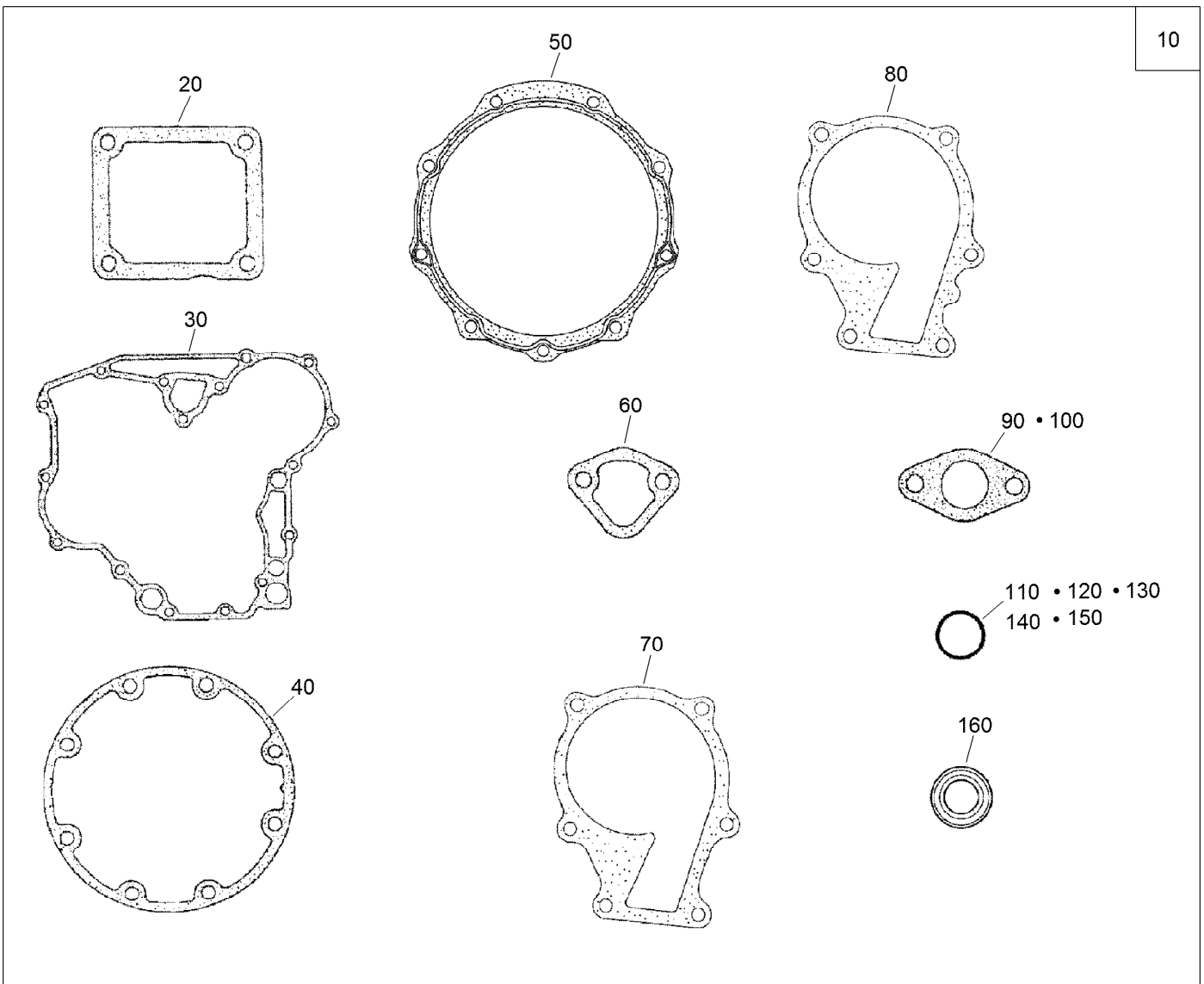
Miscellaneous Engine Parts

<i>Ref.</i>	<i>Part Number</i>	<i>Qty.</i>	<i>Description</i>
10	104-9318	1	Bottle-Overflow
20	115-4132	1	Cap
30	105-3755	1	Gasket
40	105-3756	1	Plate
50	99-8343	1	Gasket-Muffler
60	98-7611	1	Controller-Glow
70	106-7772	1	Thermoswitch
80	130-1543	1	Manual-Operator



Upper Gasket Kit

<i>Ref.</i>	<i>Part Number</i>	<i>Qty.</i>	<i>Description</i>
10	107-7848	1	Upper Gasket Kit
20	108-6573	1	Gasket-Head, Cylinder
30	98-9615	1	Gasket-Cover, Head
40	98-9609	1	Gasket-Manifold, Inlet
50	99-8343	1	Gasket-Muffler
60	99-8327	1	Gasket-Manifold, Exhaust
70	98-9638	1	Gasket-Flange, Water
80	105-3748	1	Gasket-Thermostat
90	99-3446	2	O-Ring
100	98-9454	3	Gasket
110	99-8385	6	Seal-Stem, Valve



Lower Engine Gasket Kit

<i>Ref.</i>	<i>Part Number</i>	<i>Qty.</i>	<i>Description</i>	<i>Ref.</i>	<i>Part Number</i>	<i>Qty.</i>	<i>Description</i>
10	130-1364	1	Lower Gasket Kit	90	98-9682	1	Gasket
20	98-9637	1	Gasket	100	98-9683	1	Gasket-Cover, Solenoid
30	98-9633	1	Gasket-Case, Gear	110	105-3781	2	O-Ring
40	127-0440	1	Gasket-Case, Bearing	120	105-3777	2	O-Ring
50	112-7037	1	Gasket-Cover, Case	130	105-3783	1	O-Ring
60	117-7562	1	Gasket-Pump, Fuel	140	105-3776	1	O-Ring
70	98-9632	1	Gasket-Pump, Water	150	105-3788	1	O-Ring
80	99-3454	1	Gasket-Pump, Water	160	98-7601	1	Seal-Oil

Attachments and Accessories

For 03171 Reelmaster 3100-D Traction Unit With Sidewinder

Product Name	Model/Part
27in Lift Arm Kit	03172
32in Lift Arm Kit	03173
8-Blade 27in DPA Edge Series Cutting Unit	03189
11-Blade 27in DPA Edge Series Cutting Unit	03190
8-Blade 32in DPA Edge Series Cutting Unit	03191
RM3105 27in, 8bld Rr Es No Frt Roller Cu	03192
27in Verticutter Cutting Unit	03203
Operator Cooling Fan	03247
Switch Panel-Universal Sunshade	03248
Wireless Hourmeter	115-4754
External Antenna Kit, Wireless Hourmeter System	115-9524
Base Station Kit, Wireless Hourmeter System	115-9542
Repeater Kit, Wireless Hourmeter System	115-9543
Smooth Rear Tire	127-2796
Hi-Back Seat Cover	133-1308
PX Hydraulic Fluid (5 Gal)	133-8086
PX Hydraulic Fluid (55 Gal).....	133-8087
Wheel Weight Kit	136-3315
Decal-Service, Japan	138-1190
Beacon Kit	138-2699
Power Harness Kit	138-2993
Work Lights Kit, Groundsmaster and Reelmaster Traction Units with Universal Sunshade.....	140-1554
Hydraulic Booster-10.5 fl oz.....	145-5286
Premium Seat Kit.....	30629
White Universal Sunshade	30669
Red Universal Sunshade	30671
Arm Rest Kit.....	30707
LED Work Light Kit.....	31692
New Red Paint - Gallon	361-11
Dark Metallic Gray Aerosol Paint	361-12
Semi-Gloss Black Spray Paint.....	361-9
1000 Hour MVP Kit	44963
Air Dry Red Paint - Qt	5340



Count on it.