



**Count on it.**

**Parts Catalog**

**Multi Pro® 1750**

**Turf Sprayer**

Model No. 41188—Serial No. 416470231 and Up



# Ordering Replacement Parts

To order replacement parts, please supply the part number, the quantity, and the description of each part desired.

## Understanding Reference Numbers

Each identified part in an illustration has a reference number. The reference number for a part also appears in the parts list, along with other information about the part.

This catalog uses two special reference number formats, one to indicate parts in a service assembly and another to indicate the quantity of a given part in an illustration.

## Service Assembly Reference Numbers

Parts in service assemblies have reference numbers in the form a:b. The a represents the reference number of the entire service assembly and the b represents a sequential number unique to each part within the service assembly.

For example, a wheel assembly might be identified by reference number 6, the tire by 6:1, the valve by 6:2, and the wheel by 6:3. When you order the assembly identified by reference number 6, you receive all parts identified by reference numbers 6:1, 6:2, and 6:3. However, you may also order any part individually. Reference numbers of this type appear in illustration and in parts lists.

## Reference Numbers Indicating Quantity

In an illustration, if a reference number indicates more than one part, the reference number has the form nX y. The n represents the quantity of the part, the X is the multiplication symbol, and the y represents the reference number.

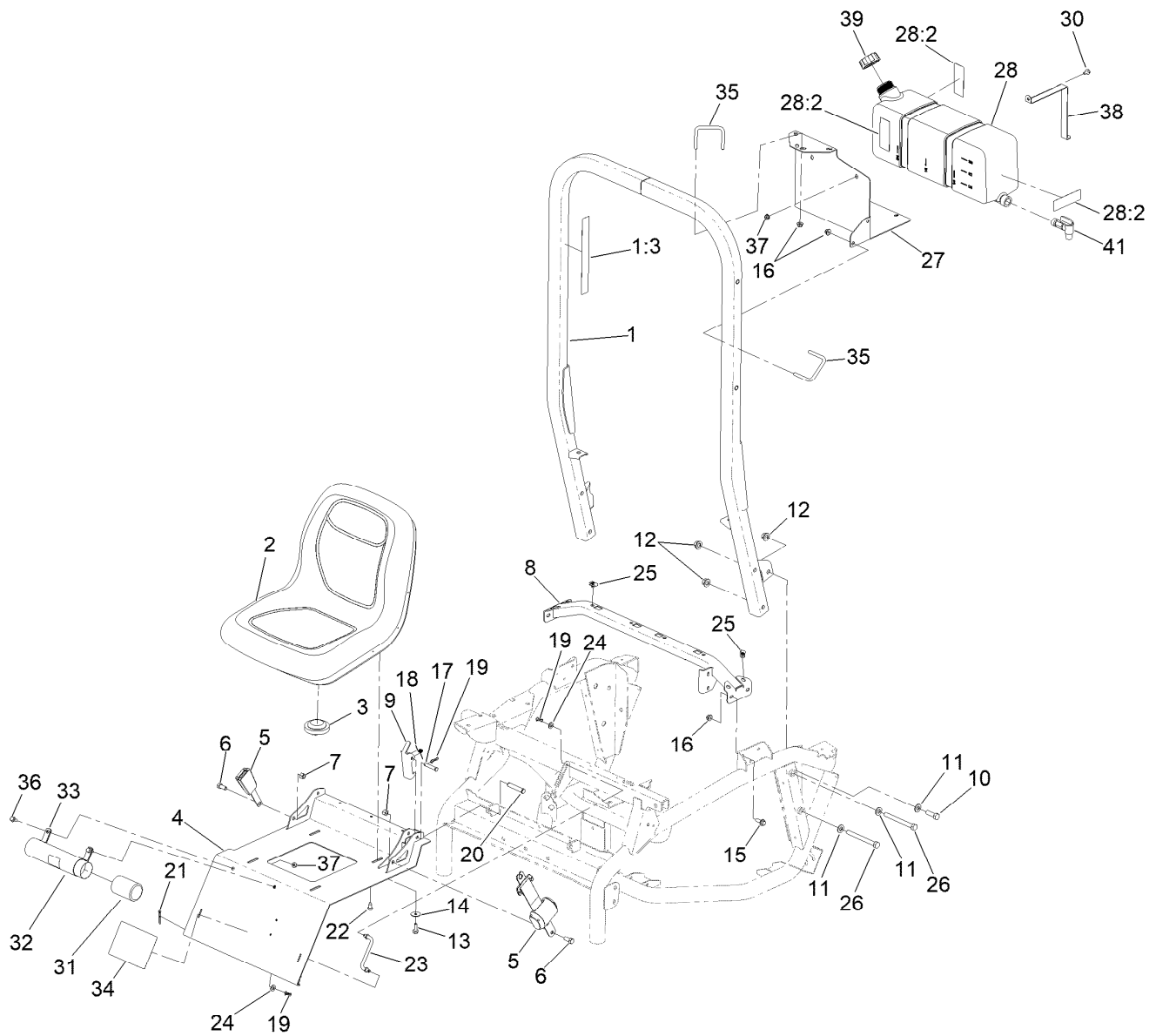
For example, in an illustration, the reference number 2X 37 means that two of the parts identified by reference number 37 are indicated.

# Contents

|   |    |
|---|----|
| Roll-Over Protection System and Seat Assembly . . . . .                 | 5  |
| Frame Assembly . . . . .  | 6  |
| Rear Drive Assembly . . . . .   | 7  |
| Case Assembly Transaxle Assembly No. 120-7610 . . . . .                 | 9  |
| Center Plate Assembly Transaxle Assembly No. 120-7610 . . . . .         | 10 |
| Main Shaft Assembly Transaxle Assembly No. 120-7610 . . . . .           | 11 |
| Reduction Shaft Assembly Transaxle Assembly No. 120-7610 . . . . .      | 12 |
| Reverse Shaft Assembly Transaxle Assembly No. 120-7610 . . . . .        | 13 |
| Main Shift Assembly Transaxle Assembly No. 120-7610 . . . . .           | 14 |
| Counter Shaft Assembly Transaxle Assembly No. 120-7610 . . . . .        | 15 |
| Differential Gear Assembly Transaxle Assembly No. 120-7610 . . . . .    | 16 |
| Differential Carrier Assembly Transaxle Assembly No. 120-7610 . . . . . | 17 |
| Differential Lock Assembly Transaxle Assembly No. 120-7610 . . . . .    | 18 |
| Axle Shaft Assembly Transaxle Assembly No. 120-7610 . . . . .           | 19 |
| Brake Caliper Assembly No. 127-7424 . . . . .                           | 20 |
| Brake Hydraulic Assembly . . . . .                                      | 21 |
| Master Cylinder Assembly No. 104-6782 . . . . .                         | 22 |
| Front Suspension Assembly . . . . .                                     | 23 |
| Hydraulic Cylinder Assembly No. 125-0720 . . . . .                      | 26 |
| Pedal Assembly . . . . .  | 27 |
| Parking Brake Lever and Cable Assembly . . . . .                        | 28 |
| Control Console Mount Assembly . . . . .                                | 29 |
| Gear Shift and Drift Lock Control Assembly . . . . .                    | 30 |
| Shift Assembly No. 106-7887 . . . . .                                   | 31 |
| Control Console Assembly . . . . .                                      | 32 |
| Hood, Dash and Headlight Assembly . . . . .                             | 33 |
| Seat Base and Front Fender Assembly . . . . .                           | 34 |
| Hydraulic Steering Assembly . . . . .                                   | 35 |
| Hydraulic Pump Assembly No. 121-6545 . . . . .                          | 37 |
| Steering Valve Assembly No. 138-6100 . . . . .                          | 38 |
| Boom Lift Hydraulic Assembly . . . . .                                  | 39 |
| Hydraulic Cylinder Assembly No. 117-0701 . . . . .                      | 40 |
| On-Off Boom Lift Valve Assembly No. 136-2400 . . . . .                  | 41 |
| Engine and Pump Mounting Assembly . . . . .                             | 42 |
| Pump Assembly No. 145-3381 . . . . .                                    | 44 |
| Exhaust Assembly . . . . .  | 45 |
| Fuel Tank, Filter and Line Assembly . . . . .                           | 46 |
| Fuel Tank Assembly No. 115-9048 . . . . .                               | 47 |
| Driveshaft Connection Assembly . . . . .                                | 48 |
| Driveshaft Assembly No. 119-6040 . . . . .                              | 49 |
| Clutch and Bell Housing Assembly . . . . .                              | 50 |
| Bell Housing Assembly . . . . .   | 51 |
| Spray Tank Assembly . . . . .   | 52 |
| Tank Assembly No. 121-6491 . . . . .                                    | 53 |
| Spray Tank Lid Assembly No. 138-6283 . . . . .                          | 54 |
| Filter Assembly No. 130-7096 . . . . .                                  | 55 |
| Spray Tank Valve Assembly . . . . .                                     | 56 |
| Section Manifold Assembly . . . . .                                     | 57 |
| 3-Way Valve Assembly No. 147-3183 . . . . .                             | 58 |
| Bypass Valve Assembly No. 127-9805 . . . . .                            | 59 |
| Actuator On/Off Assembly No. 140-7377 . . . . .                         | 60 |
| Agitation Manifold Assembly . . . . .                                   | 61 |
| M100 Manifold Assembly No. 161-4110 . . . . .                           | 63 |
| 3-Way Flange Manifold Assembly No. 147-3192 . . . . .                   | 64 |

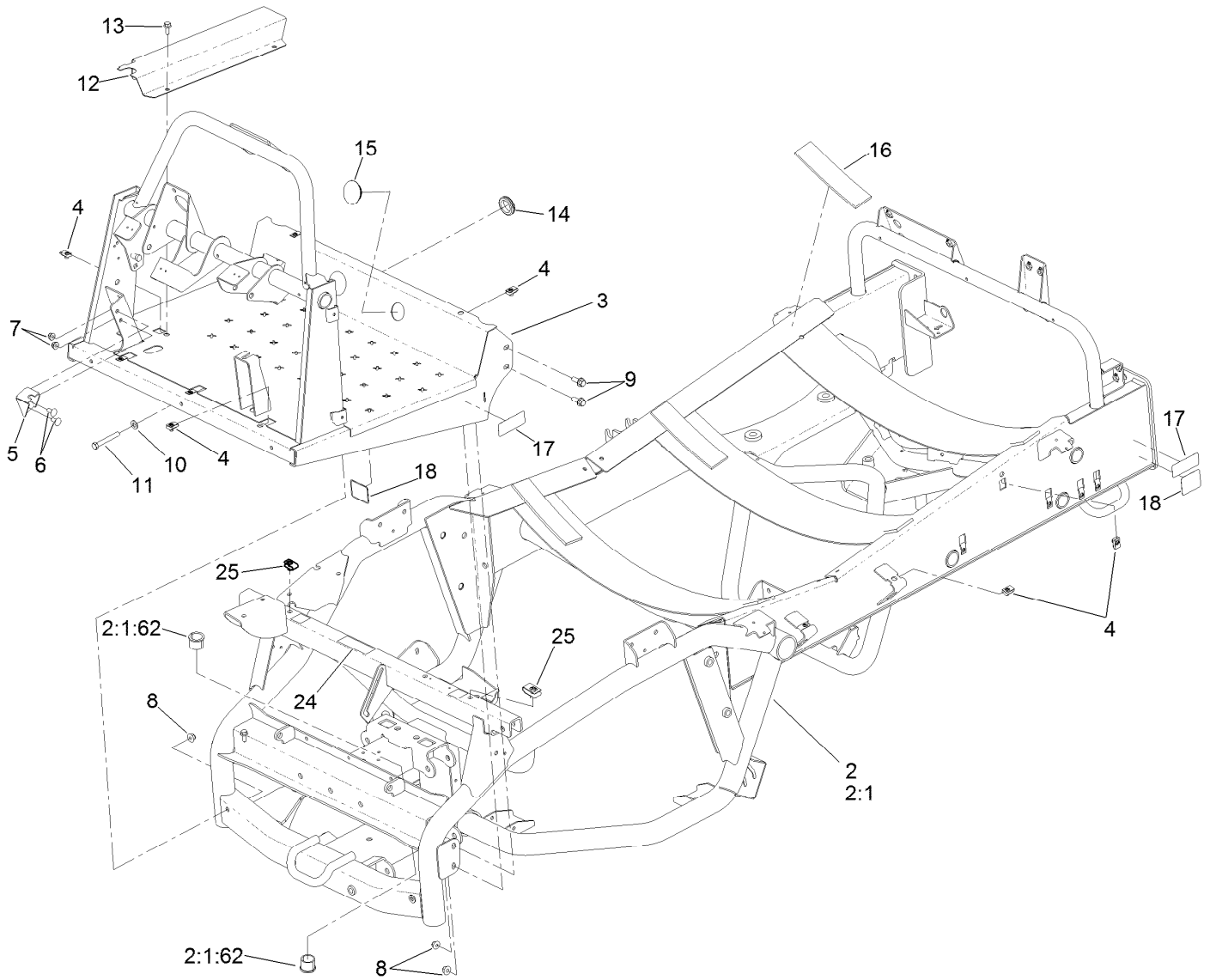
# Contents (continued)

|  |    |
|--|----|
| Pressure Filter Assembly No. 131-3791.....       | 65 |
| QD Manifold Assembly No. 161-4111.....           | 66 |
| Hose Assembly.....                               | 67 |
| Main Wiring Harness and Battery Assembly.....    | 69 |
| Center Boom Mount Assembly.....                  | 70 |
| LH Single Turret Body Assembly No. 108-3725..... | 72 |
| Double Turret Body Assembly No. 108-3727.....    | 73 |
| RH Single Body Turret Assembly No. 108-3726..... | 74 |
| Boom Pivot Assembly.....                         | 75 |
| Boom Pivot Assembly.....                         | 76 |
| Left and Right Hand Boom Assembly.....           | 77 |
| Attachments and Accessories.....                 | 78 |



## Roll-Over Protection System and Seat Assembly

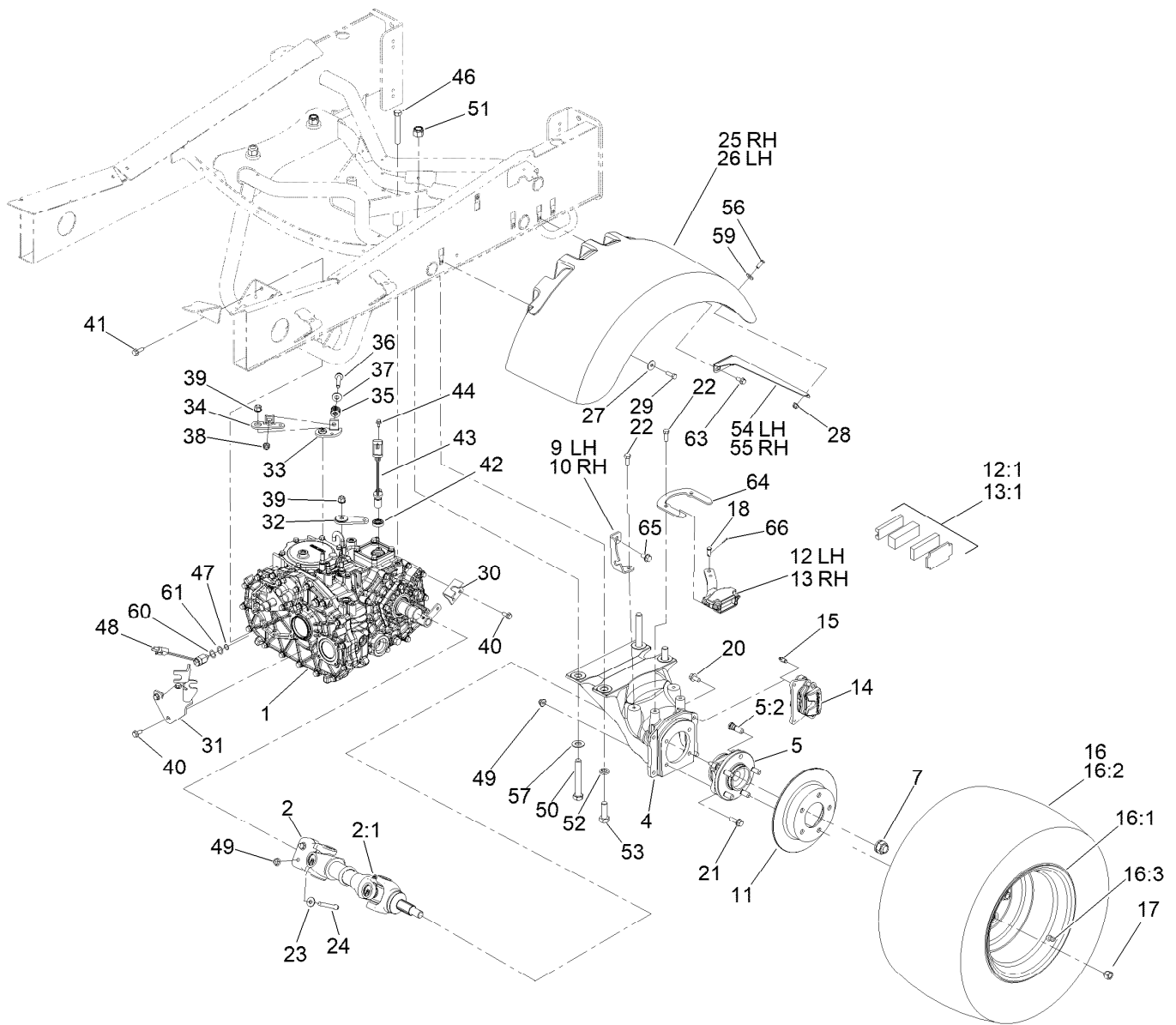
| Ref. | Part Number | Qty. | Description          | Ref. | Part Number | Qty. | Description               |
|------|-------------|------|----------------------|------|-------------|------|---------------------------|
| 1    | 127-3918    | 1    | ROPS ASM             | 21   | 119-1416    | 2    | Pin-Cotter, Locking       |
| 1:3  | 127-3939    | 1    | Decal-ROPS           | 22   | 87-8460     | 3    | Bumper-Rubber             |
| 2    | 112-2923    | 1    | Seat ASM             | 23   | 125-0909    | 1    | Rod-Prop, Seat            |
| 3    | 100-3524    | 1    | Switch-Seat          | 24   | 3256-24     | 2    | Washer-Plain              |
| 4    | 125-0872-03 | 1    | Plate-Seat           | 25   | 94-2413     | 3    | Nut-U                     |
| 5    | 110-0413    | 1    | Seatbelt-Retractable | 26   | 325-19      | 4    | Screw-HH                  |
| 6    | 3212-4      | 2    | Screw-HH             | 27   | 131-5797-03 | 1    | Mount-Tank, Eye Wash      |
| 7    | 3296-7      | 2    | Nut-Lock             | 28   | 132-7745    | 1    | Fresh Water Tank ASM      |
| 8    | 125-0910-03 | 1    | Crossmember-Seat     | 28:2 | 120-0616    | 3    | Decal-Water, Fresh        |
| 9    | 125-0916    | 1    | Latch-Seat           | 30   | 3234-7      | 4    | Screw-HHF                 |
| 10   | 325-6       | 2    | Screw-HH             | 31   | 104-7048    | 1    | Cap-Housing               |
| 11   | 3256-26     | 6    | Washer-Flat          | 32   | 104-7050    | 1    | Tube-Manual               |
| 12   | 99-5107     | 6    | Nut-Lock             | 33   | 2412-133    | 2    | Clamp-R                   |
| 13   | 33104-025   | 4    | Screw-HHF            | 34   | 133-0382    | 1    | Decal-Service/Maintenance |
| 14   | 3256-57     | 4    | Washer-Flat          | 35   | 119-6727    | 2    | U-Bolt                    |
| 15   | 3234-42     | 4    | Screw-HHF            | 36   | 3234-47     | 2    | Screw-HHF                 |
| 16   | 104-8301    | 8    | Nut-HF, NI           | 37   | 104-8300    | 6    | Nut-HF, NI                |
| 17   | 283-82      | 1    | Pin-Clevis           | 38   | 132-7628-03 | 2    | Band-Tank, Eye Wash       |
| 18   | 104-4821    | 1    | Spring-Torsion       | 39   | 137-4291    | 1    | Cap-Tank, Fresh Water     |
| 19   | 119-1415    | 3    | Pin-Cotter, Locking  | 41   | 100-7011    | 1    | Spigot-90 DEG             |
| 20   | 100-6541    | 2    | Pin-Clevis           |      |             |      |                           |



## Frame Assembly

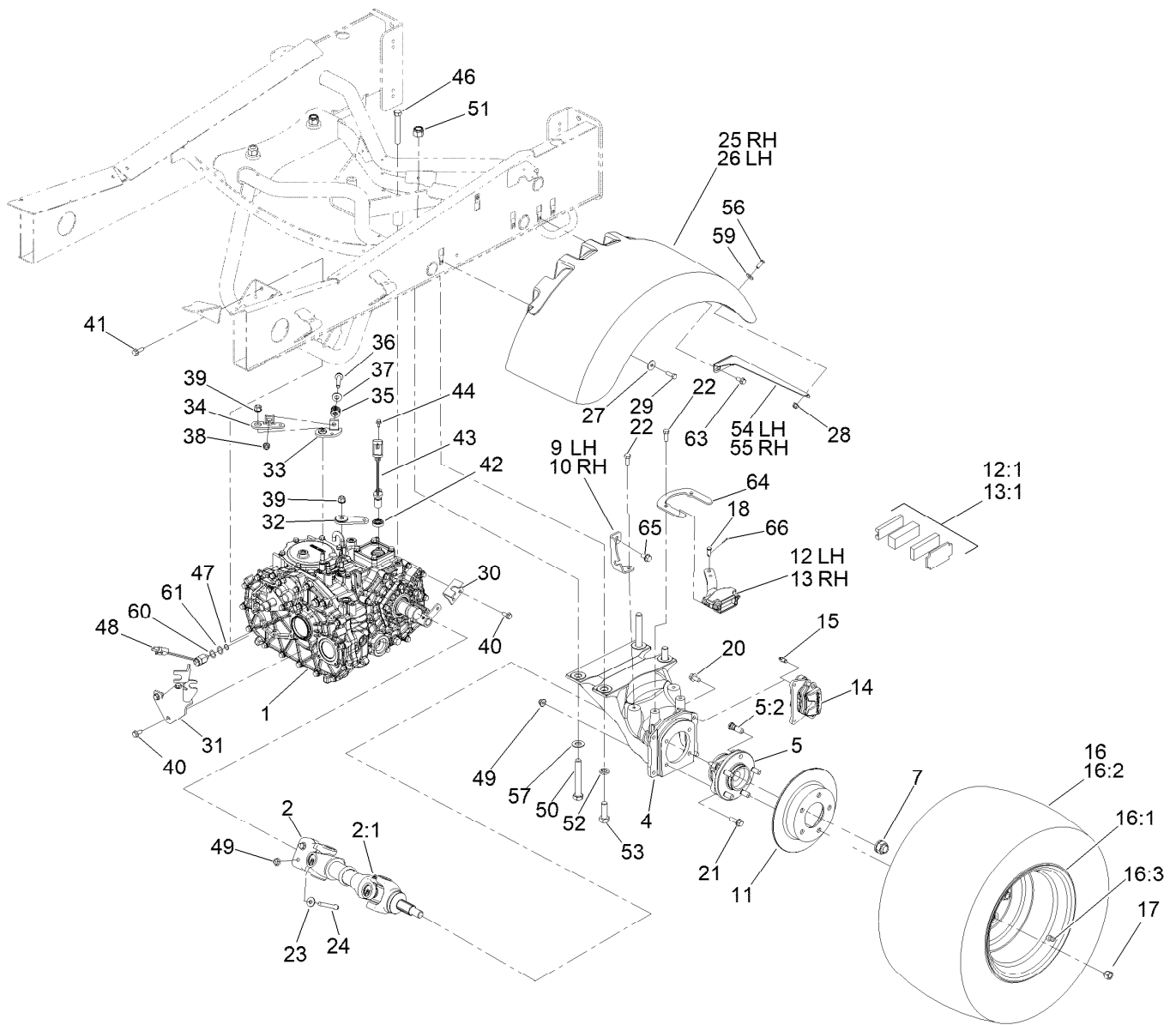
| Ref.   | Part Number | Qty. | Description          | Ref. | Part Number | Qty. | Description          |
|--------|-------------|------|----------------------|------|-------------|------|----------------------|
| 2      | 121-6501-03 | 1    | Frame ASM            | 11   | 323-13      | 2    | Screw-HH             |
| 2:1    |             | 1    | Frame ●              | 12   | 125-0871-03 | 1    | Cover-Hose           |
| 2:1:62 | 104-0015    | 2    | Bushing-Flange       | 13   | 3234-47     | 2    | Screw-HHF            |
| 3      | 125-0812-03 | 1    | Platform             | 14   | 240-3       | 2    | Grommet-Rubber       |
| 4      | 94-2413     | 19   | Nut-U                | 15   | 121-3397    | 2    | Plug-Grommet         |
| 5      | 106-2421    | 1    | Bracket-Mount, Cable | 16   | 125-8094    | 6    | Pad-Tank             |
| 6      | 3230-23     | 2    | Bolt-CARR            | 17   | 106-9206    | 4    | Decal-Torque, Wheel  |
| 7      | 104-8300    | 2    | Nut-HF, NI           | 18   | 125-6694    | 3    | Decal-Tie Down       |
| 8      | 104-8301    | 6    | Nut-HF, NI           | 24   | 133-8062    | 1    | Decal-Spark Arrestor |
| 9      | 3234-42     | 4    | Screw-HHF            | 25   | 115-7721    | 2    | Nut-Clip, U          |
| 10     | 3256-24     | 2    | Washer-Plain         |      |             |      |                      |

● Not serviced separately



## Rear Drive Assembly

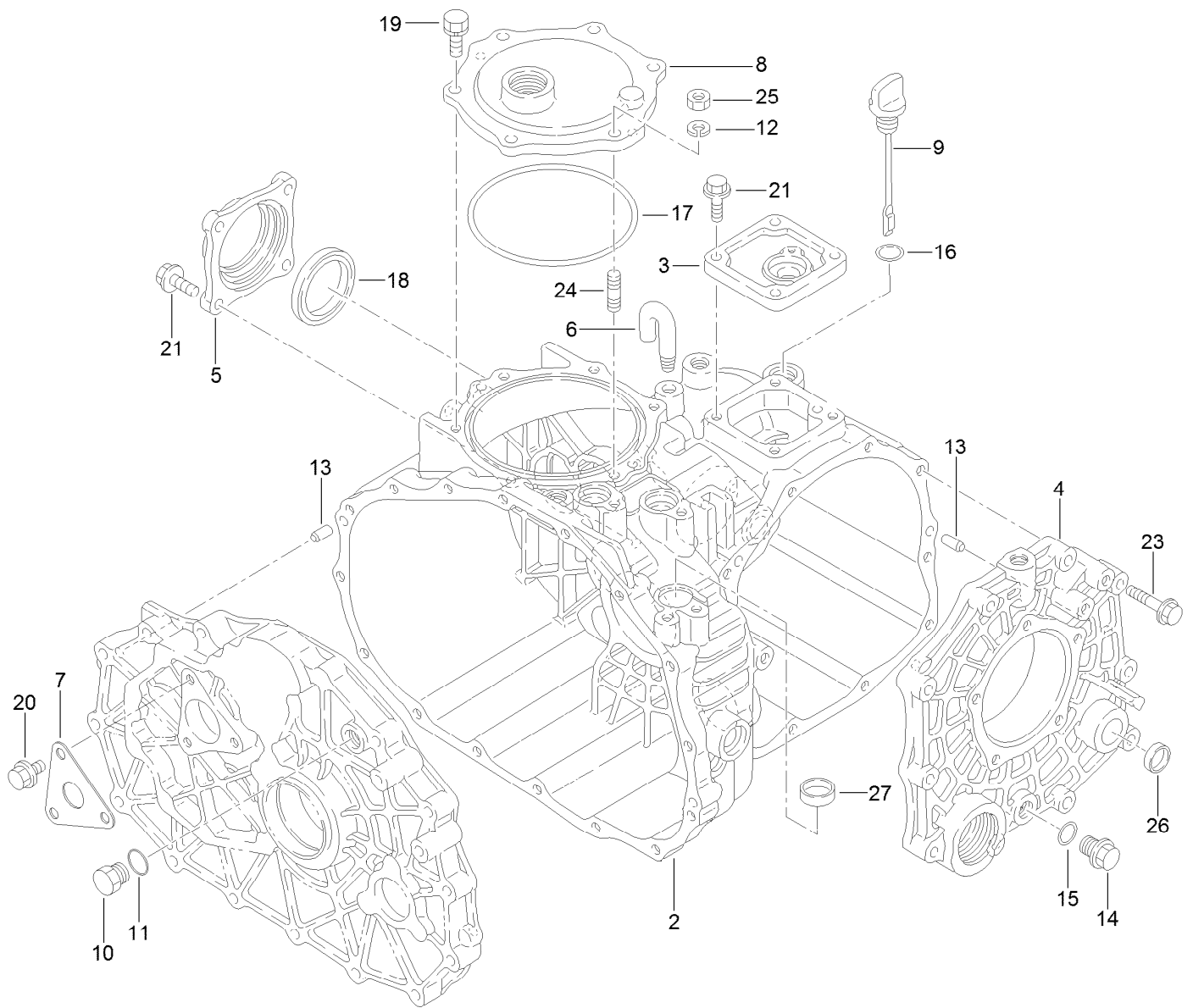
| Ref. | Part Number | Qty. | Description            | Ref. | Part Number | Qty. | Description                |
|------|-------------|------|------------------------|------|-------------|------|----------------------------|
| 1    | 120-7610    | 1    | Transaxle ASM          | 18   | 283-85      | 2    | Pin-Clevis                 |
| 2    | 138-5600    | 2    | Driveshaft ASM         | 20   | 3234-1      | 4    | Screw-HHF                  |
| 2:1  | 302-5       | 2    | Fitting-Grease         | 21   | 3234-24     | 8    | Screw-HHF                  |
| 4    | 131-4311    | 2    | Axle-Housing           | 22   | 323-6       | 6    | Screw-HH                   |
| 5    | 121-9751    | 2    | Hub-Bearing, Wheel     | 23   | 80-6990     | 4    | Washer-Hardened            |
| 5:2  | 121-9752    | 5    | Stud-Wheel             | 24   | 98-2939     | 4    | Screw-Cap                  |
| 7    | 115-2164    | 2    | Nut-Spindle            | 25   | 112-6805    | 1    | Fender-RH                  |
| 9    | 131-4362    | 1    | Bracket-Cable, LH      | 26   | 112-6806    | 1    | Fender-LH                  |
| 10   | 131-4346    | 1    | Bracket-Cable, RH      | 27   | 3256-82     | 6    | Washer-Flat                |
| 11   | 114-8351    | 2    | Rotor-Brake            | 28   | 104-8300    | 2    | Nut-HF, NI                 |
| 12   | 114-8365    | 1    | Caliper-Mechanical, LH | 29   | 322-5       | 6    | Screw-HH                   |
| 12:1 | 115-7847    | 1    | Parking Brake Pad Kit  | 30   | 87-4470     | 1    | Bracket-Lock, Differential |
| 13   | 114-8366    | 1    | Caliper-Mechanical, RH | 31   | 107-8749-0P | 1    | Bracket-Cable, Welded      |
| 13:1 | 115-7847    | 1    | Parking Brake Pad Kit  | 32   | 87-7960     | 1    | Lever-Shift                |
| 14   | 127-7424    | 2    | Brake Caliper ASM      | 33   | 87-7970     | 1    | Arm-Shift                  |
| 15   | 119-9509    | 2    | Screw-Bleed            | 34   | 87-8250     | 1    | Plate-Arm, Shift           |
| 16   | 144-6160    | 2    | Tire/Wheel ASM         | 35   | 87-6910     | 1    | Spring-Compression         |
| 16:1 | 144-6170    | 1    | Wheel - 12 X 10.50     | 36   | 66-9302     | 1    | Screw-HHF Lock             |
| 16:2 | 144-6171    | 1    | Tire - 24/13-12,6 Ply  | 37   | 3256-4      | 1    | Washer-Flat                |
| 16:3 | 232-27      | 1    | Stem-Valve             | 38   | 3290-357    | 1    | Nut-HSF                    |
| 17   | 242-50      | 10   | Nut-Lug                | 39   | 103-9511    | 2    | Nut-Lock, NI               |



## Rear Drive Assembly (continued)

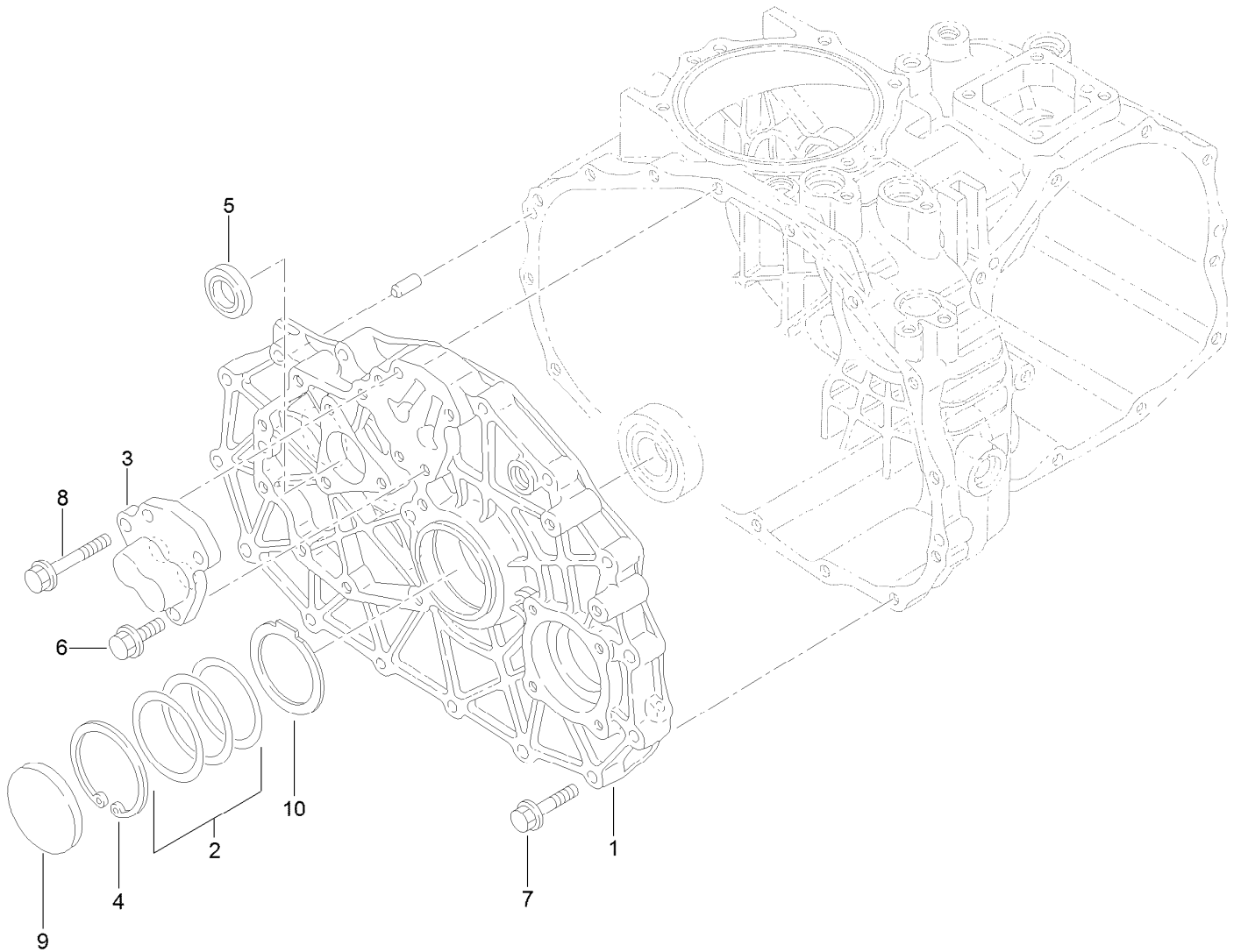
| Ref. | Part Number | Qty. | Description         | Ref. | Part Number | Qty. | Description        |
|------|-------------|------|---------------------|------|-------------|------|--------------------|
| 40   | 98-7977     | 5    | Screw-HHF           | 53   | 327-5       | 4    | Screw-HH           |
| 41   | 33104-025   | 4    | Screw-HHF           | 54   | 125-7959-03 | 1    | Bracket-Fender     |
| 42   | 92-3735     | 1    | Seal-Sensor, Oil    | 55   | 125-7960-03 | 1    | Bracket-Fender     |
| 43   | 120-4800    | 1    | Sensor-Geartooth    | 56   | 3274-32     | 2    | Screw-HSBH         |
| 44   | 33103-012   | 1    | Screw-HHF           | 57   | 3256-27     | 4    | Washer-Flat        |
| 46   | 33116-090   | 2    | Screw-HH            | 59   | 3256-71     | 2    | Washer-Flat        |
| 47   | 237-30      | 1    | O-Ring              | 60   | 125-8106    | 3    | Shim               |
| 48   | 87-6710     | 1    | Switch-Transmission | 61   | 125-8107    | 3    | Shim               |
| 49   | 104-8301    | 12   | Nut-HF, NI          | 63   | 3234-47     | 4    | Screw-HHF          |
| 50   | 327-29      | 4    | Screw-HH            | 64   | 131-4257-0P | 2    | Support-Park Brake |
| 51   | 127-3958    | 4    | Nut-Lock, NI        | 65   | 110-9380    | 2    | Screw-HWH          |
| 52   | 3253-23     | 4    | Washer-Lock         | 66   | 3272-6      | 2    | Pin-Cotter         |





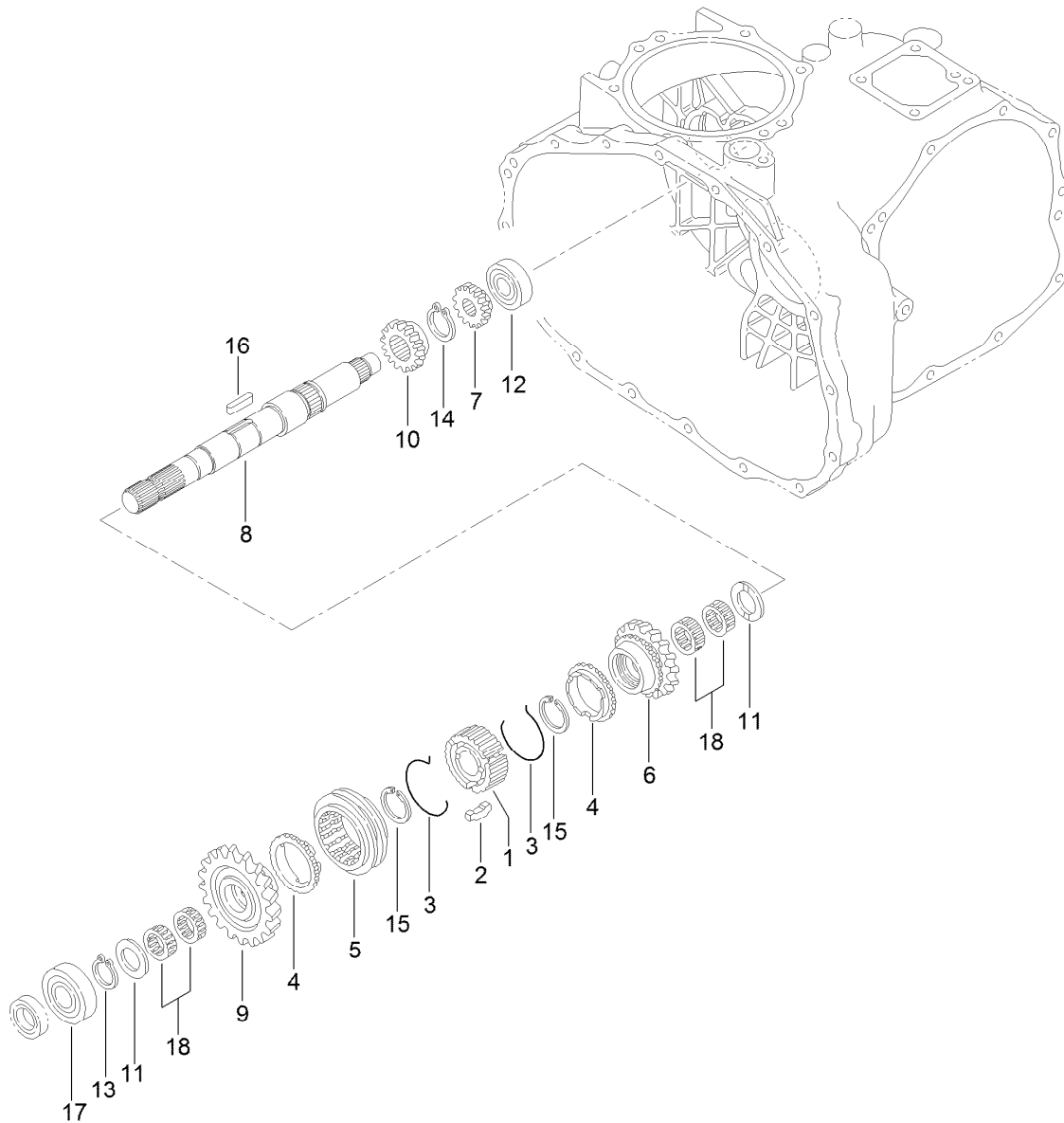
## Case Assembly Transaxle Assembly No. 120-7610

| <i>Ref.</i> | <i>Part Number</i> | <i>Qty.</i> | <i>Description</i> | <i>Ref.</i> | <i>Part Number</i> | <i>Qty.</i> | <i>Description</i> |
|-------------|--------------------|-------------|--------------------|-------------|--------------------|-------------|--------------------|
| 2           | 92-0651            | 1           | Case-Transmission  | 15          | 92-0787            | 1           | O-Ring             |
| 3           | 92-3736            | 1           | Cover ASM          | 16          | 92-0788            | 1           | O-Ring             |
| 4           | 92-0653            | 1           | Cover-Side         | 17          | 92-0790            | 1           | O-Ring             |
| 5           | 92-0655            | 1           | Cover-Seal, Axle   | 18          | 92-0793            | 1           | Seal-Oil           |
| 6           | 127-3925           | 1           | Breather           | 19          | 92-0796            | 5           | Bolt               |
| 7           | 100-8594           | 1           | Cover-Shaft, Input | 20          | 100-6928           | 3           | Bolt               |
| 8           | 100-8595           | 1           | Cover-PTO          | 21          | 33114-025          | 8           | Screw-HH           |
| 9           | 92-0662            | 1           | Cap-Oil            | 23          | 33114-040          | 10          | Screw-HH           |
| 10          | 100-6924           | 1           | Plug               | 24          | 92-0804            | 1           | Stud               |
| 11          | 100-6925           | 1           | Packing            | 25          | 48-7930            | 1           | Nut                |
| 12          | 92-0762            | 1           | Washer-Spring      | 26          | 100-6926           | 1           | Cap-Sealing        |
| 13          | 92-0765            | 4           | Pin-Parallel       | 27          | 100-6927           | 1           | Cap-Sealing        |
| 14          | 92-0773            | 1           | Plug-Drain         |             |                    |             |                    |



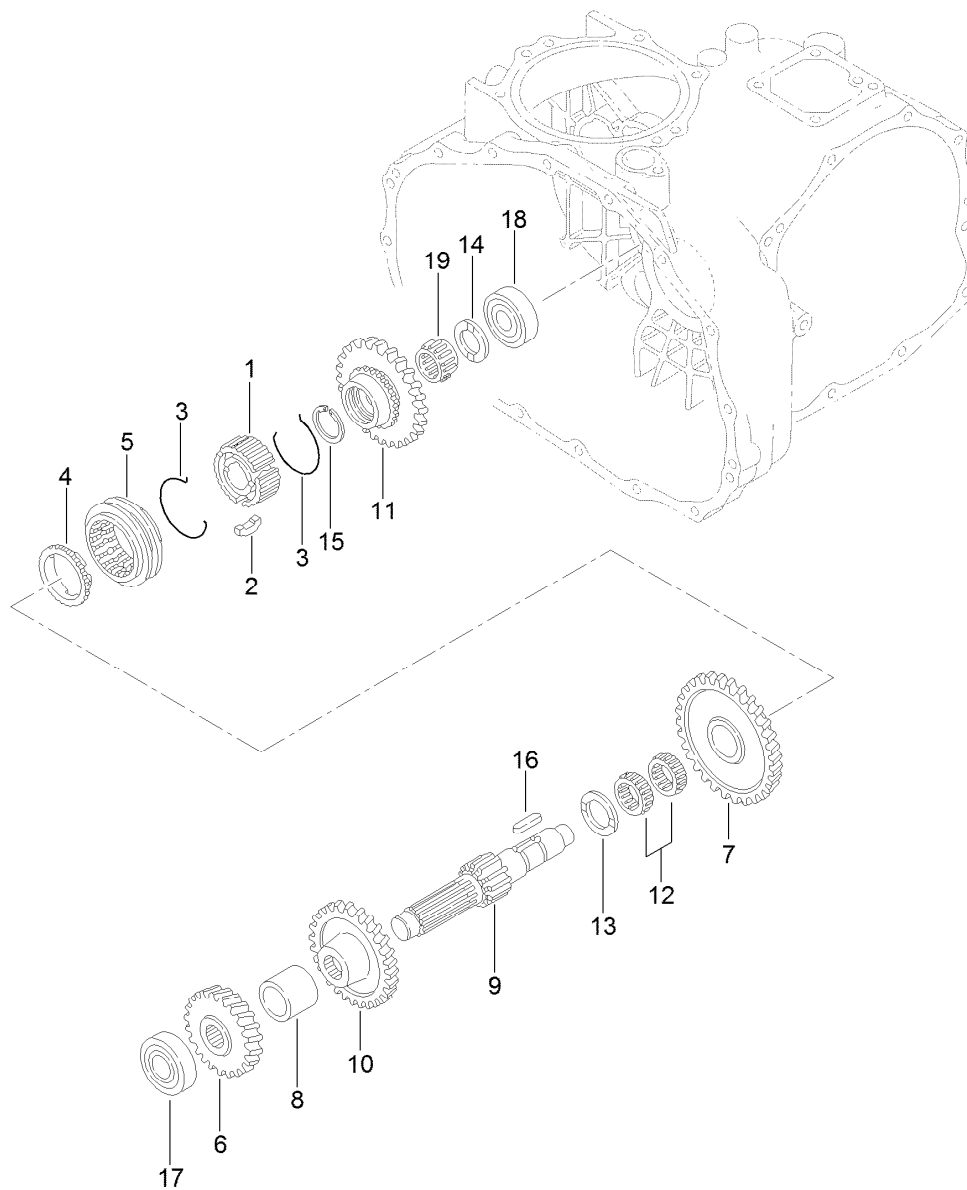
## Center Plate Assembly Transaxle Assembly No. 120-7610

| <i>Ref.</i> | <i>Part Number</i> | <i>Qty.</i> | <i>Description</i> |
|-------------|--------------------|-------------|--------------------|
| 1           | 100-4461           | 1           | Plate-Center       |
| 2           | 100-4460           | 1           | Shim-Set           |
| 3           | 92-0706            | 1           | Shaft-Fork         |
| 4           | 92-0759            | 1           | Ring-Snap          |
| 5           | 92-0791            | 1           | Seal-Oil           |
| 6           | 33114-025          | 3           | Screw-HH           |
| 7           | 33114-040          | 15          | Screw-HH           |
| 8           | 48-7560            | 1           | Bolt-HH            |
| 9           | 92-0807            | 1           | Cap-Sealing        |
| 10          | 100-4465           | 1           | Shim (W/Tab)       |



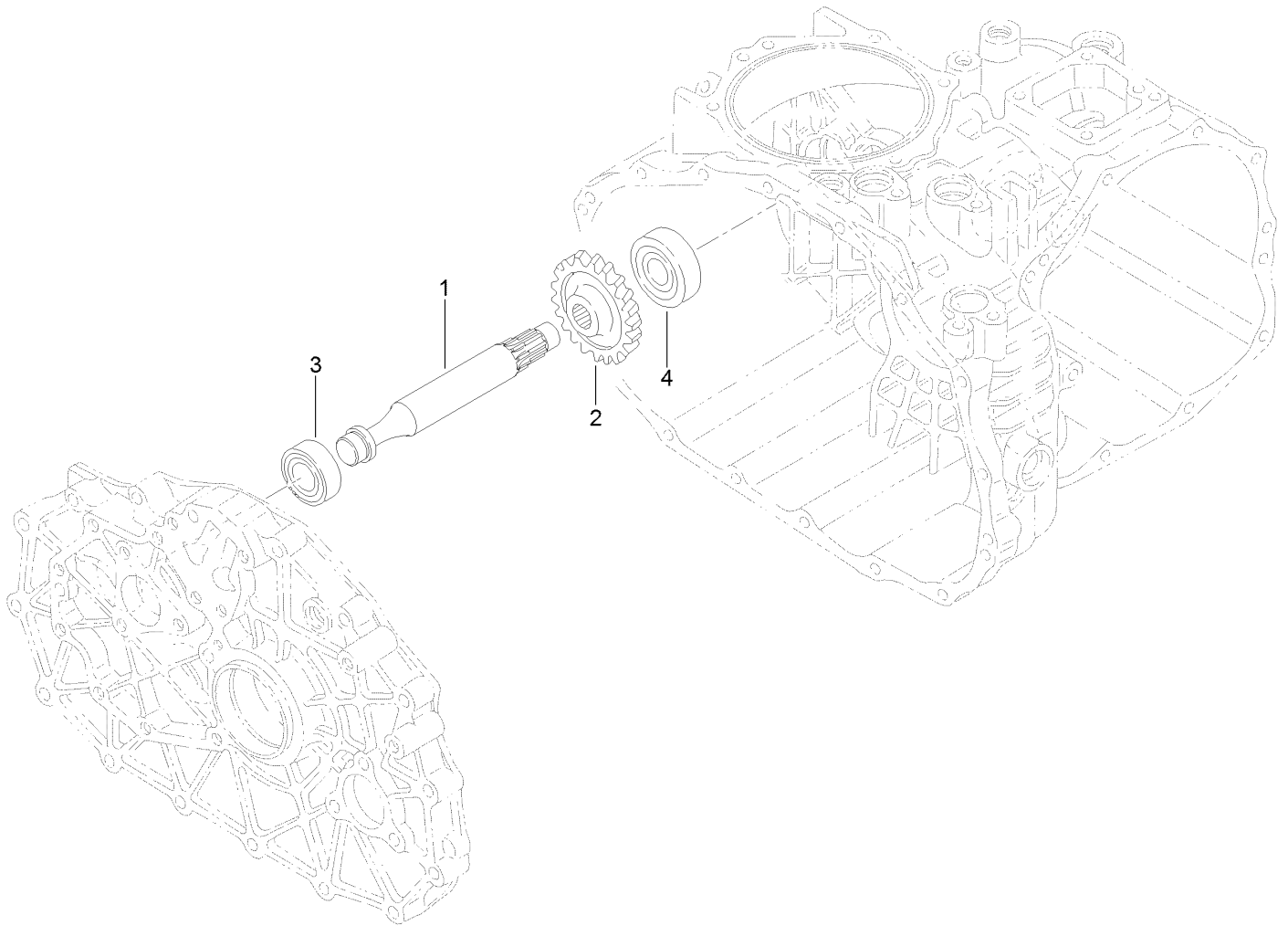
## Main Shaft Assembly Transaxle Assembly No. 120-7610

| <i>Ref.</i> | <i>Part Number</i> | <i>Qty.</i> | <i>Description</i>  | <i>Ref.</i> | <i>Part Number</i> | <i>Qty.</i> | <i>Description</i>  |
|-------------|--------------------|-------------|---------------------|-------------|--------------------|-------------|---------------------|
| 1           | 92-0664            | 1           | Hub-Synchro         | 10          | 100-8598           | 1           | Gear-Main, 20 Tooth |
| 2           | 92-0665            | 3           | Key-Synchro         | 11          | 92-0740            | 2           | Washer-Thrust       |
| 3           | 92-0666            | 2           | Spring-Synchro      | 12          | 92-0650            | 1           | Bearing             |
| 4           | 92-0667            | 2           | Ring-Synchro        | 13          | 92-0753            | 1           | Ring-Snap           |
| 5           | 92-0668            | 1           | Shifter-Synchro     | 14          | 92-0754            | 1           | Ring-Snap           |
| 6           | 127-3926           | 1           | Gear-Main, 23T      | 15          | 92-0763            | 2           | Ring-Snap           |
| 7           | 92-0673            | 1           | Gear-Main, 14 Tooth | 16          | 92-0772            | 1           | Key                 |
| 8           | 100-8596           | 1           | Shaft-Main          | 17          | 251-8              | 1           | Bearing-Ball        |
| 9           | 108-3694           | 1           | Gear-Main, 36T      | 18          | 92-0781            | 4           | Bearing-Needle      |



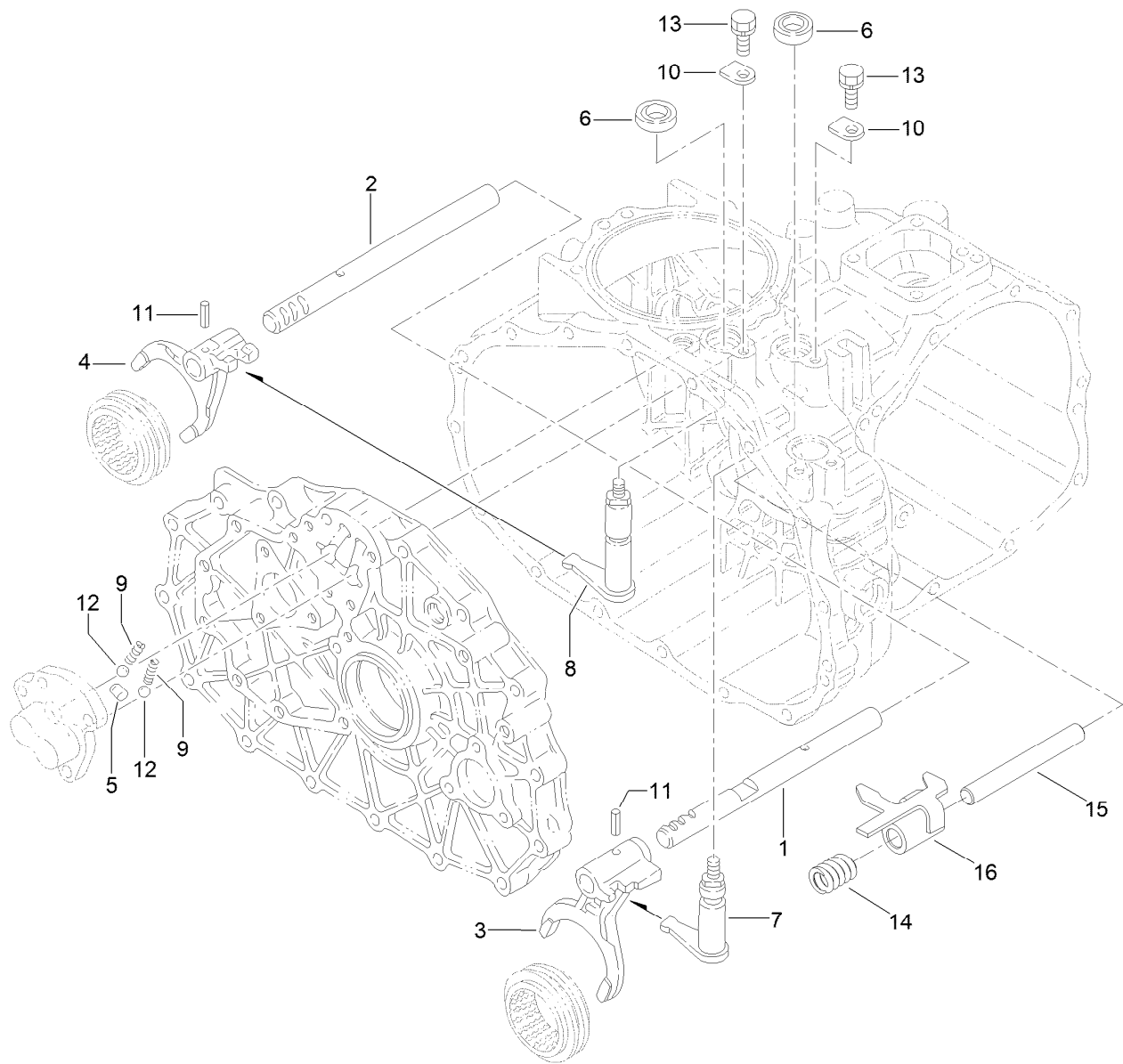
## Reduction Shaft Assembly Transaxle Assembly No. 120-7610

| <i>Ref.</i> | <i>Part Number</i> | <i>Qty.</i> | <i>Description</i>  | <i>Ref.</i> | <i>Part Number</i> | <i>Qty.</i> | <i>Description</i>       |
|-------------|--------------------|-------------|---------------------|-------------|--------------------|-------------|--------------------------|
| 1           | 92-0664            | 1           | Hub-Synchro         | 11          | 92-0819            | 1           | Gear-Reduction, 40 Tooth |
| 2           | 92-0665            | 3           | Key-Synchro         | 12          | 92-0681            | 2           | Bearing-Needle           |
| 3           | 92-0666            | 2           | Spring-Synchro      | 13          | 92-0682            | 1           | Washer-Thrust            |
| 4           | 92-0667            | 1           | Ring-Synchro        | 14          | 92-0740            | 1           | Washer-Thrust            |
| 5           | 92-0668            | 1           | Shifter-Synchro     | 15          | 92-0763            | 1           | Ring-Snap                |
| 6           | 100-8599           | 1           | Gear-Red, 25 Tooth  | 16          | 92-0772            | 1           | Key                      |
| 7           | 108-3697           | 1           | Gear-Reduction, 47T | 17          | 105-7985           | 1           | Bearing                  |
| 8           | 100-8601           | 1           | Collar              | 18          | 92-0778            | 1           | Bearing                  |
| 9           | 127-3927           | 1           | Shaft-Reduction     | 19          | 92-0782            | 1           | Bearing-Needle           |
| 10          | 127-3928           | 1           | Gear-Reduction, 31T |             |                    |             |                          |



## Reverse Shaft Assembly Transaxle Assembly No. 120-7610

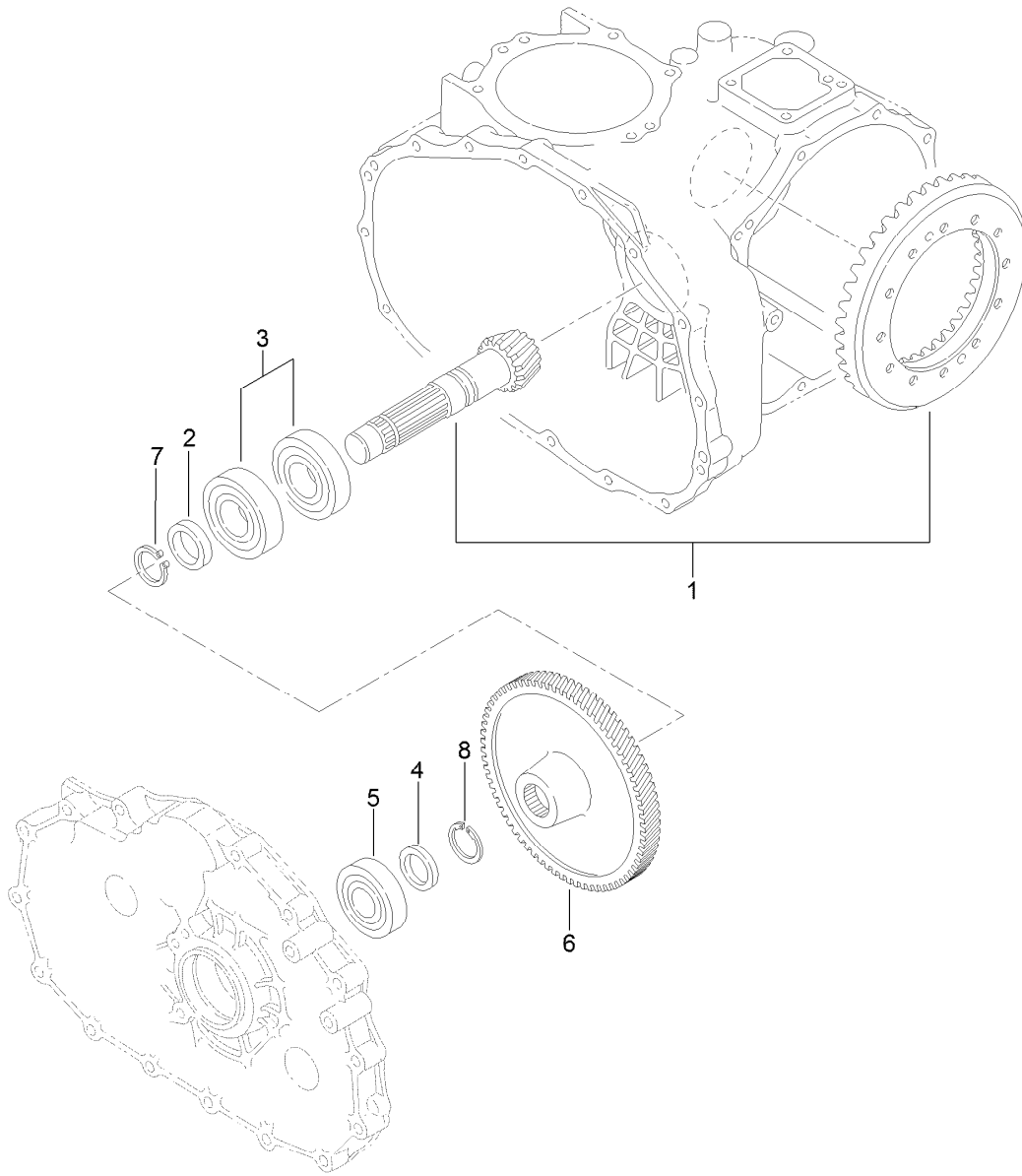
| <i>Ref.</i> | <i>Part Number</i> | <i>Qty.</i> | <i>Description</i>     |
|-------------|--------------------|-------------|------------------------|
| 1           | 100-8602           | 1           | Shaft-Idler, Reverse   |
| 2           | 92-0684            | 1           | Gear-Reverse, 33 Tooth |
| 3           | 251-346            | 1           | Bearing-Ball           |
| 4           | 92-0778            | 1           | Bearing                |



## Main Shift Assembly Transaxle Assembly No. 120-7610

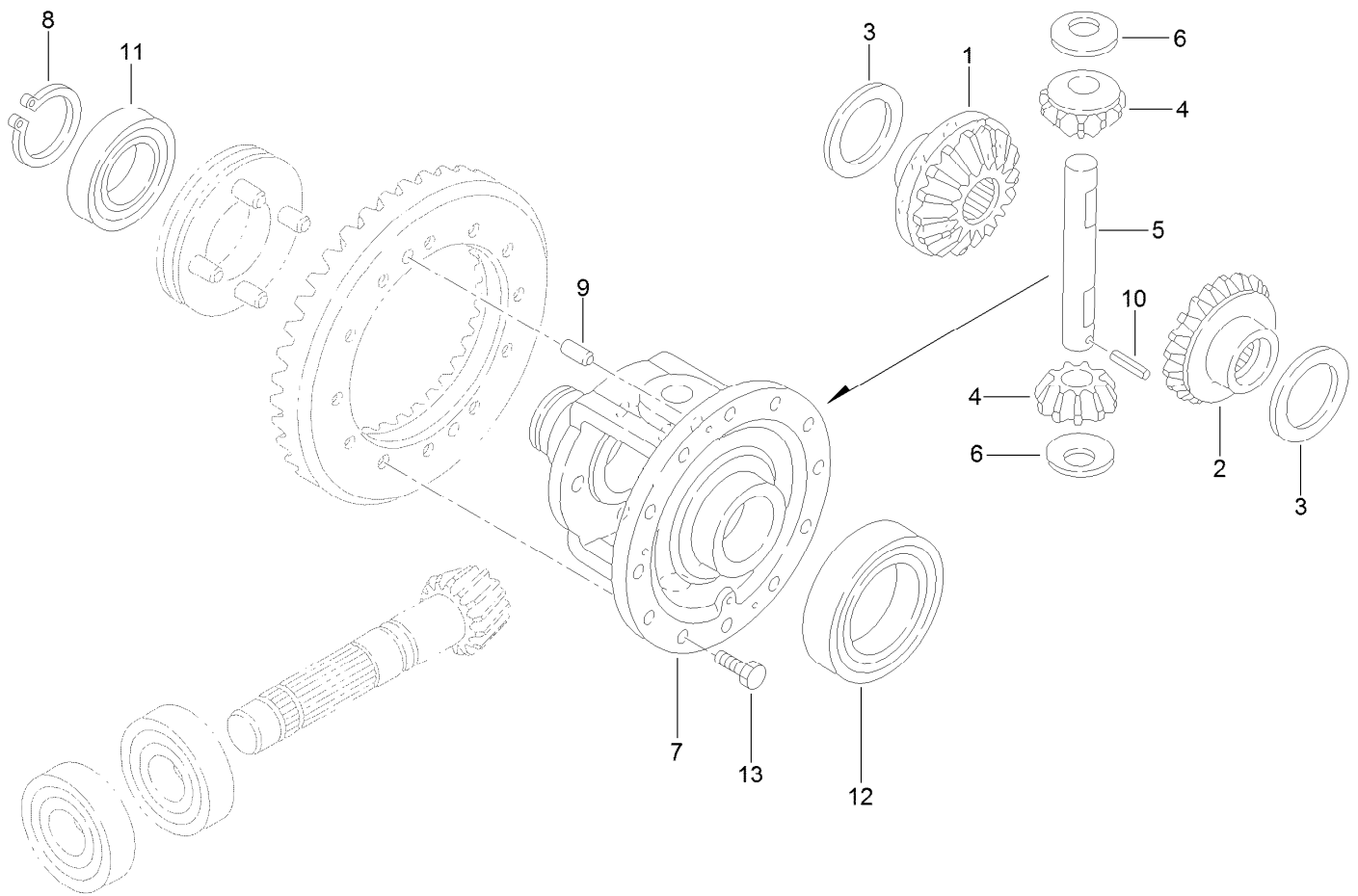
| <i>Ref.</i> | <i>Part Number</i> | <i>Qty.</i> | <i>Description</i> | <i>Ref.</i> | <i>Part Number</i> | <i>Qty.</i> | <i>Description</i> |
|-------------|--------------------|-------------|--------------------|-------------|--------------------|-------------|--------------------|
| 1           | 92-0698            | 1           | Shaft-Fork         | 9           | 92-0731            | 2           | Spring             |
| 2           | 92-0699            | 1           | Shaft-Fork         | 10          | 92-0732            | 2           | Plate-Keeper       |
| 3           | 92-0700            | 1           | Fork-Shift         | 11          | 92-0769            | 2           | Pin-Roll           |
| 4           | 92-0701            | 1           | Fork-Shift         | 12          | 92-0785            | 2           | Ball-Steel         |
| 5           | 92-0705            | 1           | Lock-Spindle       | 13          | 33114-016          | 2           | Screw-HH           |
| 6           | 92-0729            | 2           | Seal-Oil           | 14          | 127-3931           | 1           | Spring-Switch ●    |
| 7           | 127-3929           | 1           | Arm-Shift          | 15          | 127-3932           | 1           | Shaft-Switch ●     |
| 8           | 127-3930           | 1           | Arm-Shift          | 16          | 127-3933           | 1           | Plate-Switch ●     |

● Not illustrated



## Counter Shaft Assembly Transaxle Assembly No. 120-7610

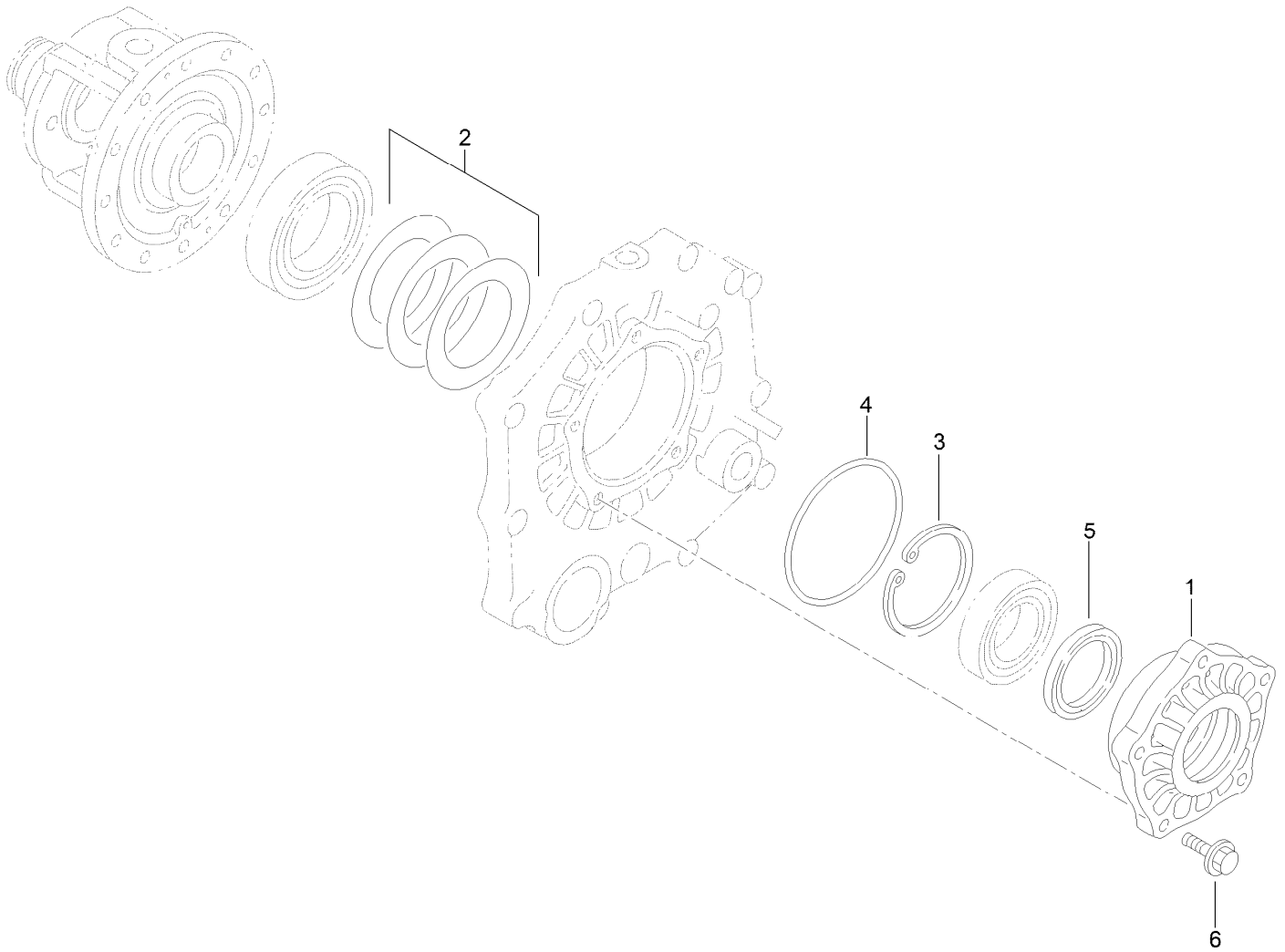
| <i>Ref.</i> | <i>Part Number</i> | <i>Qty.</i> | <i>Description</i> |
|-------------|--------------------|-------------|--------------------|
| 1           | 92-0710            | 1           | Gear-Ring          |
| 2           | 92-0713            | 1           | Collar             |
| 3           | 92-0714            | 2           | Bearing            |
| 4           | 92-0716            | 1           | Collar             |
| 5           | 92-0712            | 1           | Bearing-Ball       |
| 6           | 100-8603           | 1           | Gear-Count         |
| 7           | 92-0755            | 1           | Ring-Snap          |
| 8           | 92-0764            | 1           | Ring-Snap          |



## Differential Gear Assembly Transaxle Assembly No. 120-7610

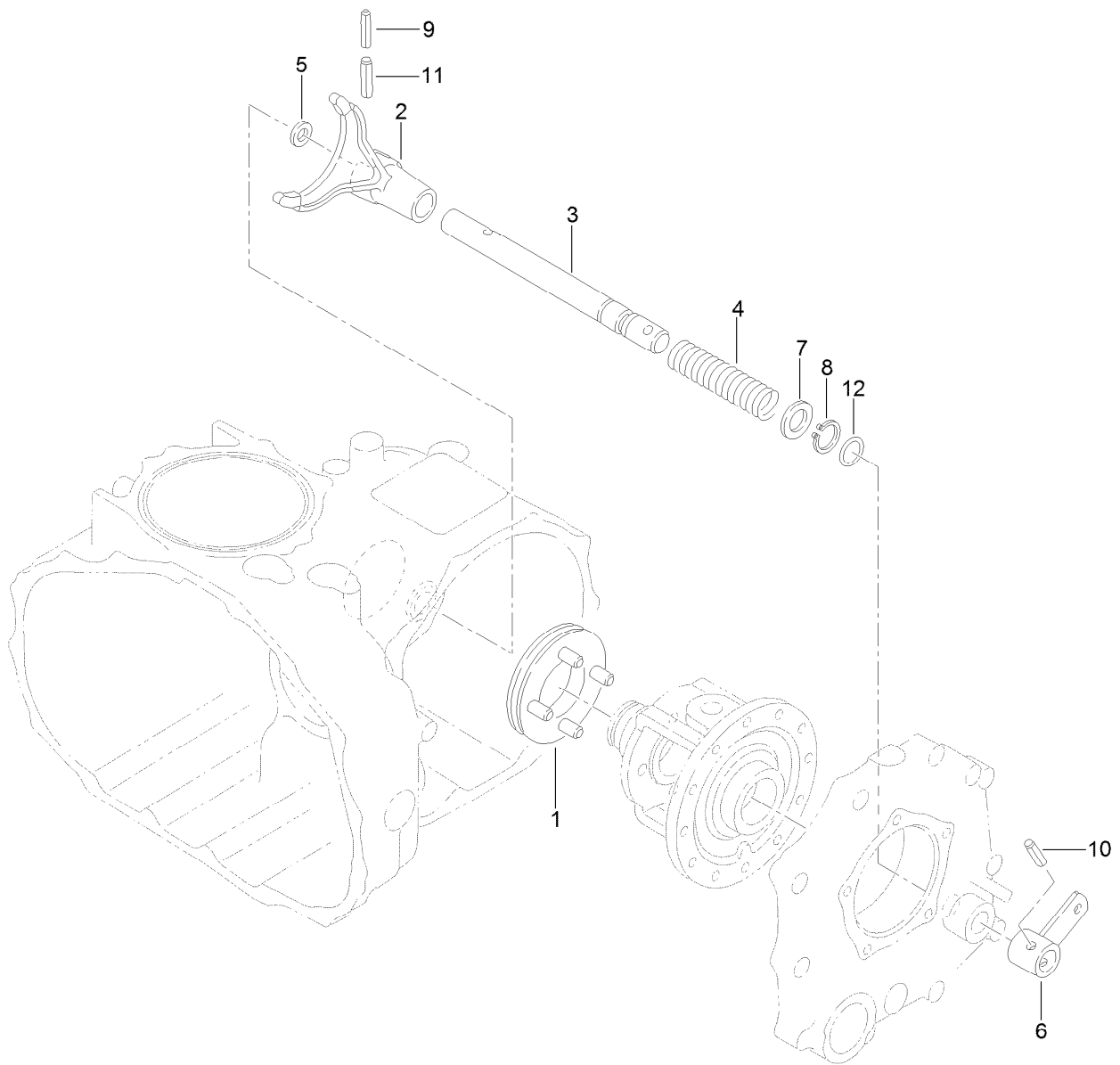
| <i>Ref.</i> | <i>Part Number</i> | <i>Qty.</i> | <i>Description</i>    |
|-------------|--------------------|-------------|-----------------------|
| 1           | 92-0745            | 1           | Gear-Side, LH         |
| 2           | 92-0746            | 1           | Gear-Side, RH         |
| 3           | 92-0747            | 2           | Side-Gear, Left Inner |
| 4           | 92-0748            | 2           | Pinion-Differential   |
| 5           | 92-0749            | 1           | Shaft-Pinion          |
| 6           | 92-0750            | 2           | Washer                |
| 7           | 92-0720            | 1           | Case-Differential     |
| 8           | 92-0756            | 1           | Ring-Snap             |
| 9           | 92-0765            | 2           | Pin-Parallel          |
| 10          | 92-0768            | 1           | Pin-Roll, Spring      |
| 11          | 92-0775            | 1           | Bearing               |
| 12          | 92-0776            | 1           | Bearing               |
| 13          | 92-0803            | 12          | Bolt                  |





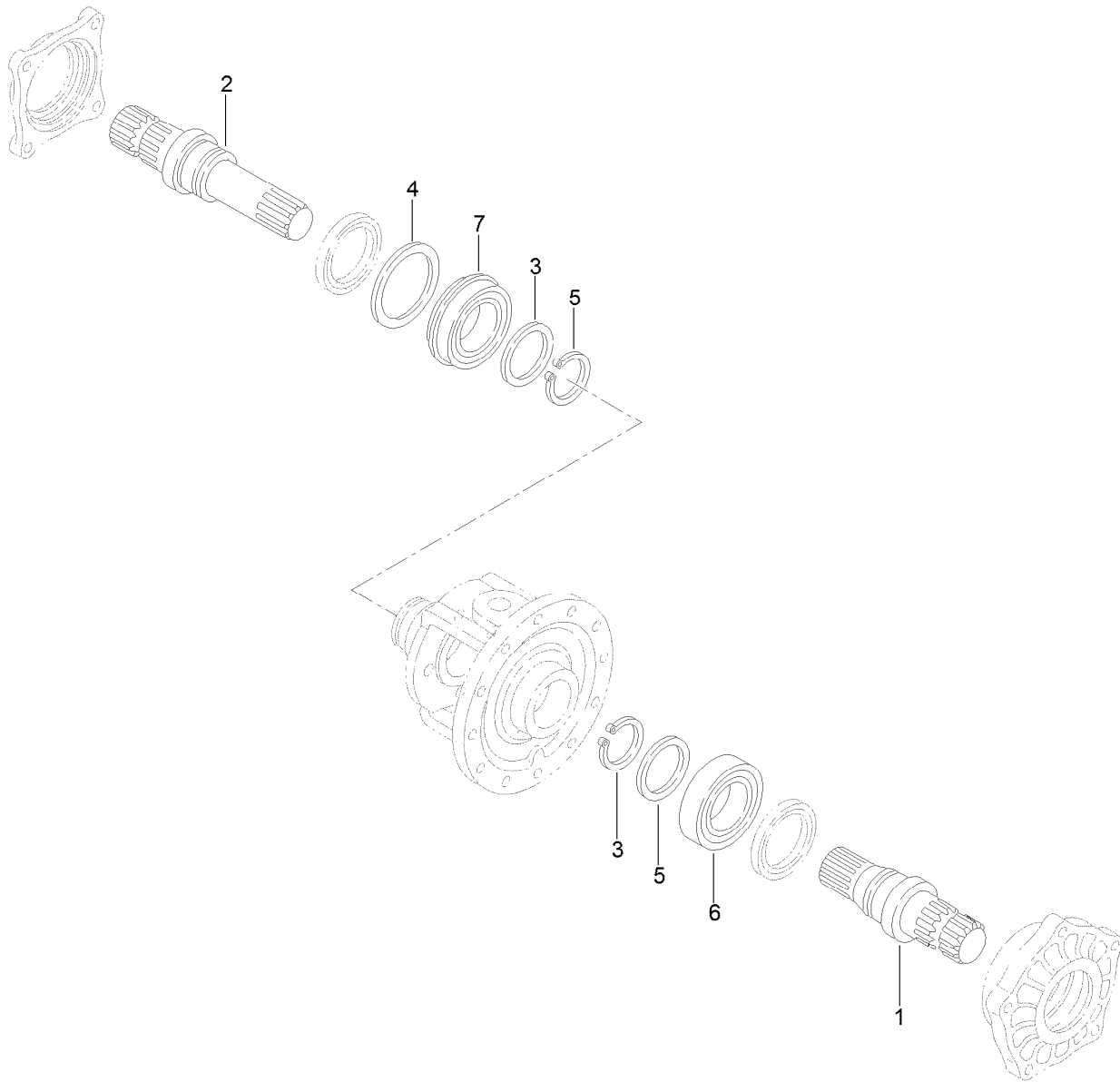
## Differential Carrier Assembly Transaxle Assembly No. 120-7610

| <i>Ref.</i> | <i>Part Number</i> | <i>Qty.</i> | <i>Description</i>   |
|-------------|--------------------|-------------|----------------------|
| 1           | 92-0654            | 1           | Carrier-Differential |
| 2           | 92-0809            | 1           | Set-Shim             |
| 3           | 92-0760            | 1           | Ring-Snap            |
| 4           | 92-0789            | 1           | O-Ring               |
| 5           | 92-0793            | 1           | Seal-Oil             |
| 6           | 48-7730            | 5           | Screw-Cap, HH        |



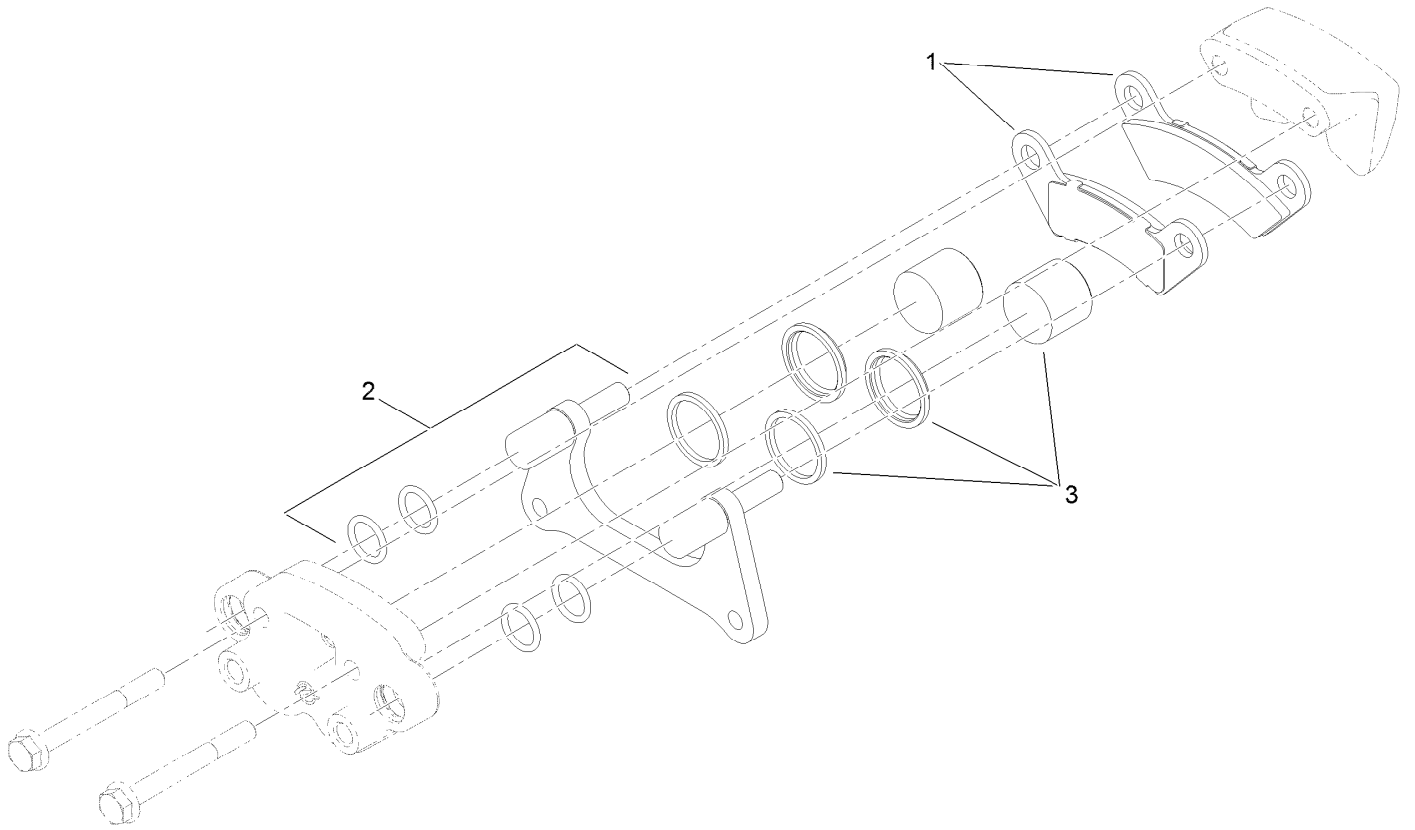
## Differential Lock Assembly Transaxle Assembly No. 120-7610

| <i>Ref.</i> | <i>Part Number</i> | <i>Qty.</i> | <i>Description</i>            |
|-------------|--------------------|-------------|-------------------------------|
| 1           | 92-0730            | 1           | Slider-Differential, Lock     |
| 2           | 92-0721            | 1           | Fork-Lock, Differential       |
| 3           | 92-0722            | 1           | Shaft-Fork, Lock Differential |
| 4           | 92-0723            | 1           | Spring-Lock, Differential     |
| 5           | 92-0744            | 1           | Washer                        |
| 6           | 92-0724            | 1           | Arm-Lock, Differential        |
| 7           | 92-0733            | 1           | Washer                        |
| 8           | 92-0753            | 1           | Ring-Snap                     |
| 9           | 92-0768            | 1           | Pin-Roll, Spring              |
| 10          | 92-0770            | 1           | Pin-Roll, Spring              |
| 11          | 92-0771            | 1           | Pin-Roll, Spring              |
| 12          | 92-0787            | 1           | O-Ring                        |



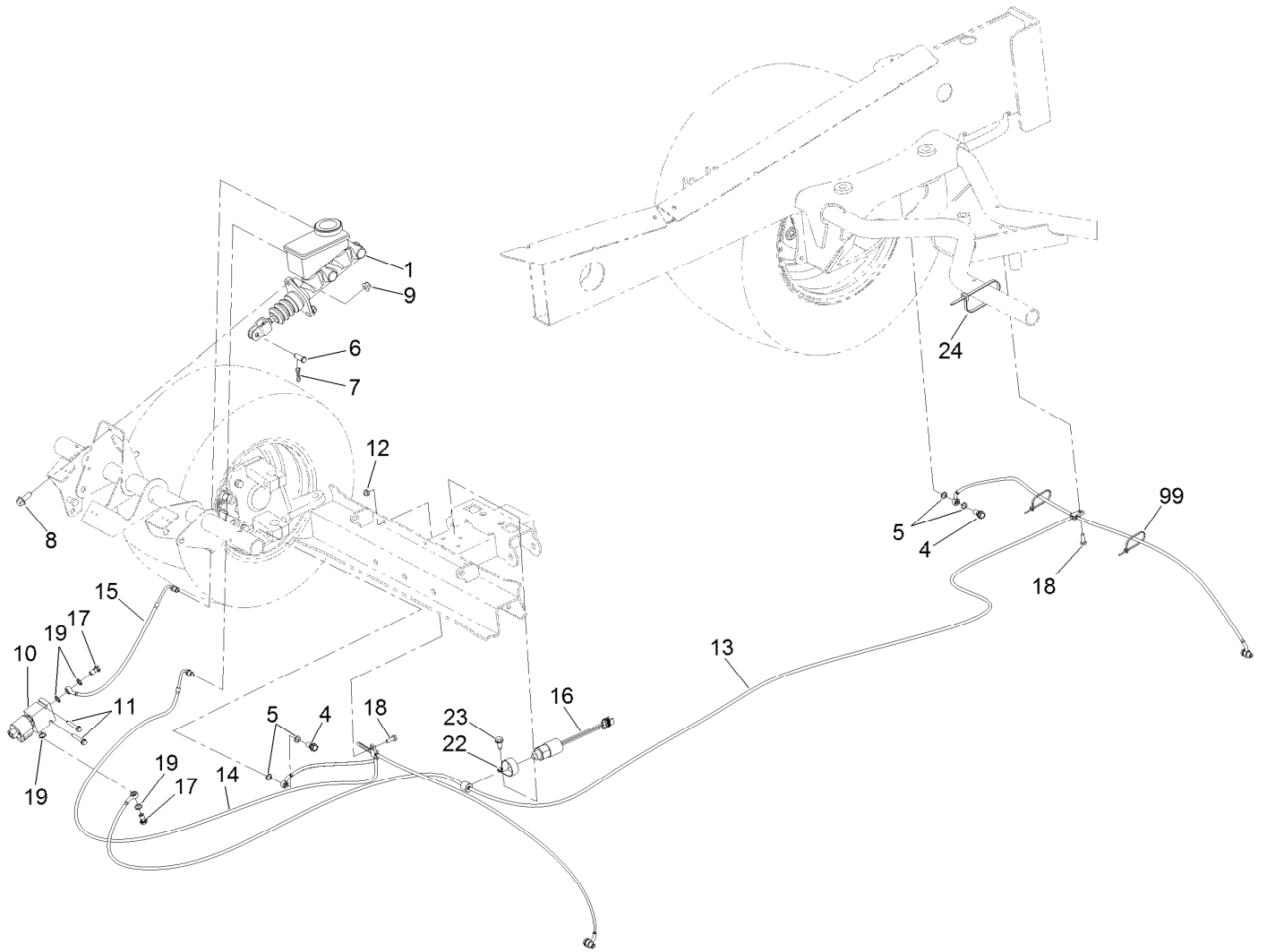
## Axle Shaft Assembly Transaxle Assembly No. 120-7610

| <i>Ref.</i> | <i>Part Number</i> | <i>Qty.</i> | <i>Description</i> |
|-------------|--------------------|-------------|--------------------|
| 1           | 92-0725            | 1           | Shaft-Axle, Left   |
| 2           | 92-0726            | 1           | Shaft-Axle, Right  |
| 3           | 92-0727            | 2           | Washer             |
| 4           | 92-0728            | 1           | Washer             |
| 5           | 92-0756            | 2           | Ring-Snap          |
| 6           | 92-0775            | 1           | Bearing            |
| 7           | 92-0780            | 1           | Bearing            |



## Brake Caliper Assembly No. 127-7424

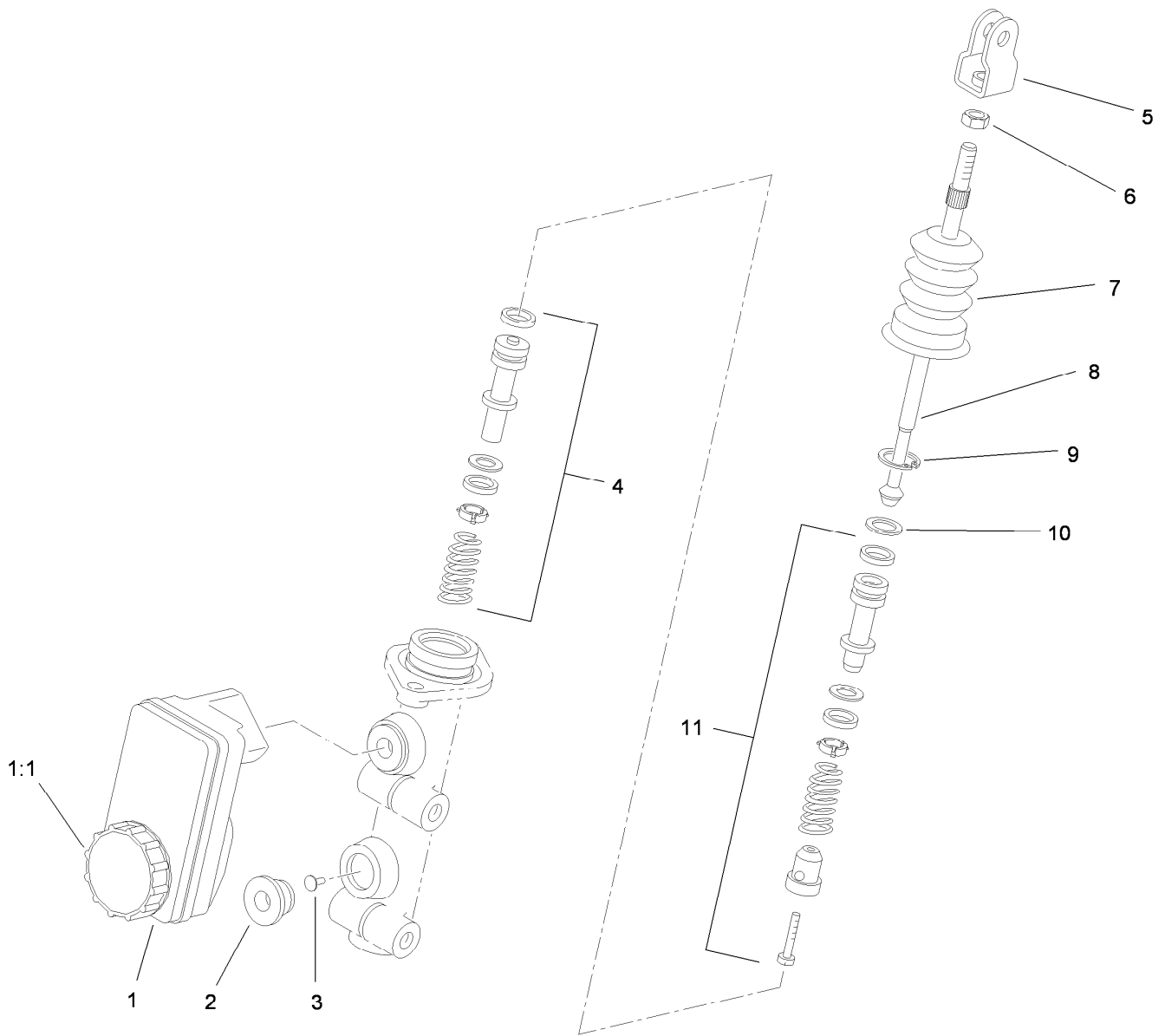
| <i>Ref.</i> | <i>Part Number</i> | <i>Qty.</i> | <i>Description</i> |
|-------------|--------------------|-------------|--------------------|
| 1           | 133-0628           | 1           | Brake Pad Kit      |
| 2           | 119-9511           | 1           | Bracket Kit        |
| 3           | 133-0614           | 1           | Piston Kit         |



## Brake Hydraulic Assembly

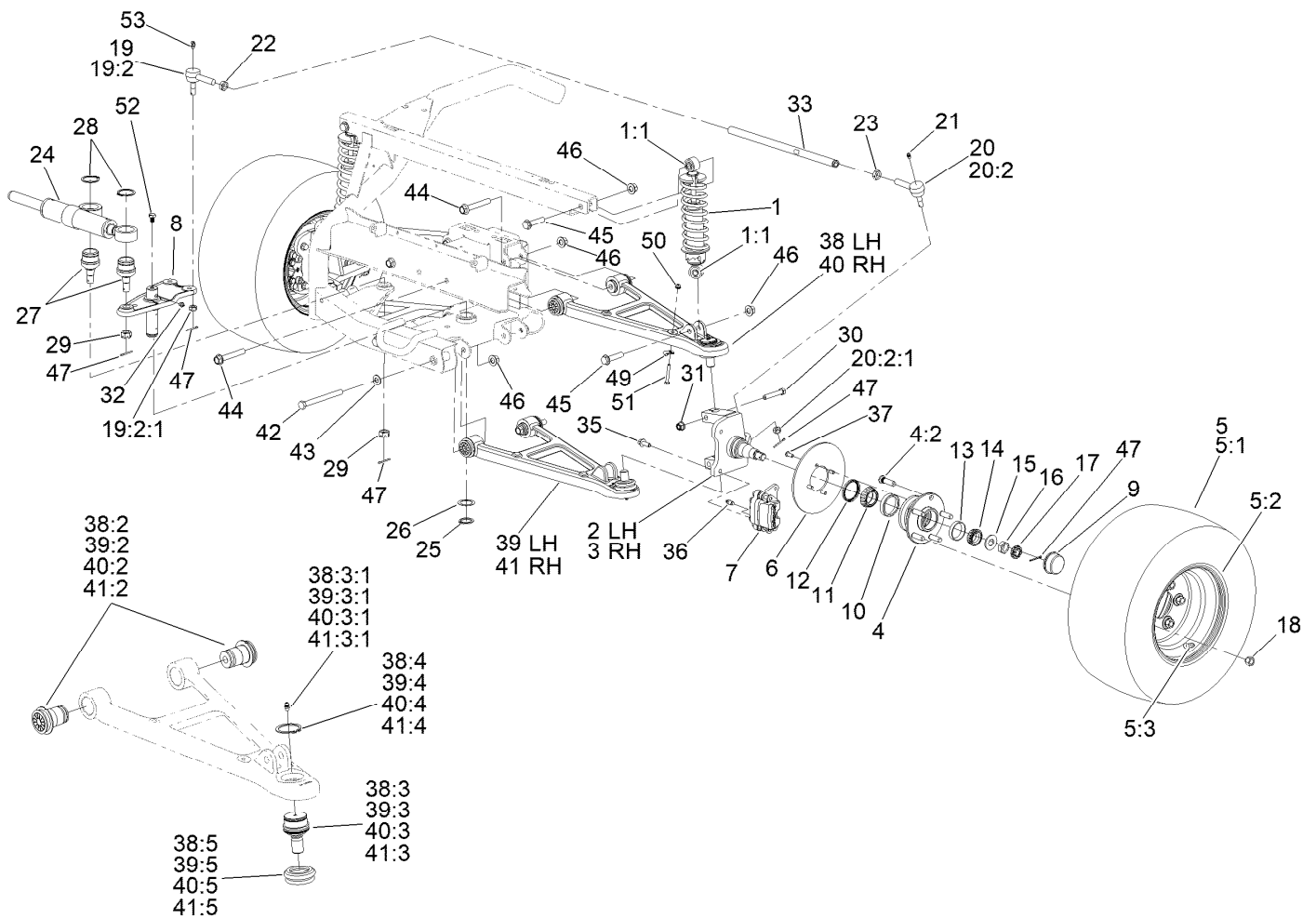
| <i>Ref.</i> | <i>Part Number</i> | <i>Qty.</i> | <i>Description</i>  |
|-------------|--------------------|-------------|---------------------|
| 1           | 104-6782           | 1           | Master Cylinder ASM |
| 4           | 120-4875           | 4           | Bolt-Flange, Banjo  |
| 5           | 115-2341           | 8           | Washer-Banjo        |
| 6           | 283-2              | 1           | Pin-Clevis          |
| 7           | 119-1415           | 1           | Pin-Cotter, Locking |
| 8           | 3234-11            | 2           | Screw-HHF           |
| 9           | 104-8301           | 2           | Nut-HF, NI          |
| 10          | 125-0900           | 1           | Valve-Brake Hold    |
| 11          | 94-2691            | 2           | Screw-HWH Taptite   |
| 12          | 104-7201           | 1           | Nut-HF, NI          |
| 13          | 125-7998           | 1           | Line-Brake, Rear    |

| <i>Ref.</i> | <i>Part Number</i> | <i>Qty.</i> | <i>Description</i>   |
|-------------|--------------------|-------------|----------------------|
| 14          | 125-7999           | 1           | Line-Brake, Front    |
| 15          | 125-8000           | 1           | Line-Brake, Solenoid |
| 16          | 130-7148           | 1           | Switch-Pressure      |
| 17          | 125-8005           | 2           | Bolt-Banjo           |
| 18          | 321-4              | 2           | Screw-HH             |
| 19          | 127-3914           | 4           | Washer-Banjo         |
| 22          | 2412-74            | 1           | R-Clamp              |
| 23          | 32104-32           | 1           | Screw-HWH            |
| 24          | 3290-378           | 3           | Tie-Cable            |
| 99          | 3290-379           | 6           | Tie-Cable            |



## Master Cylinder Assembly No. 104-6782

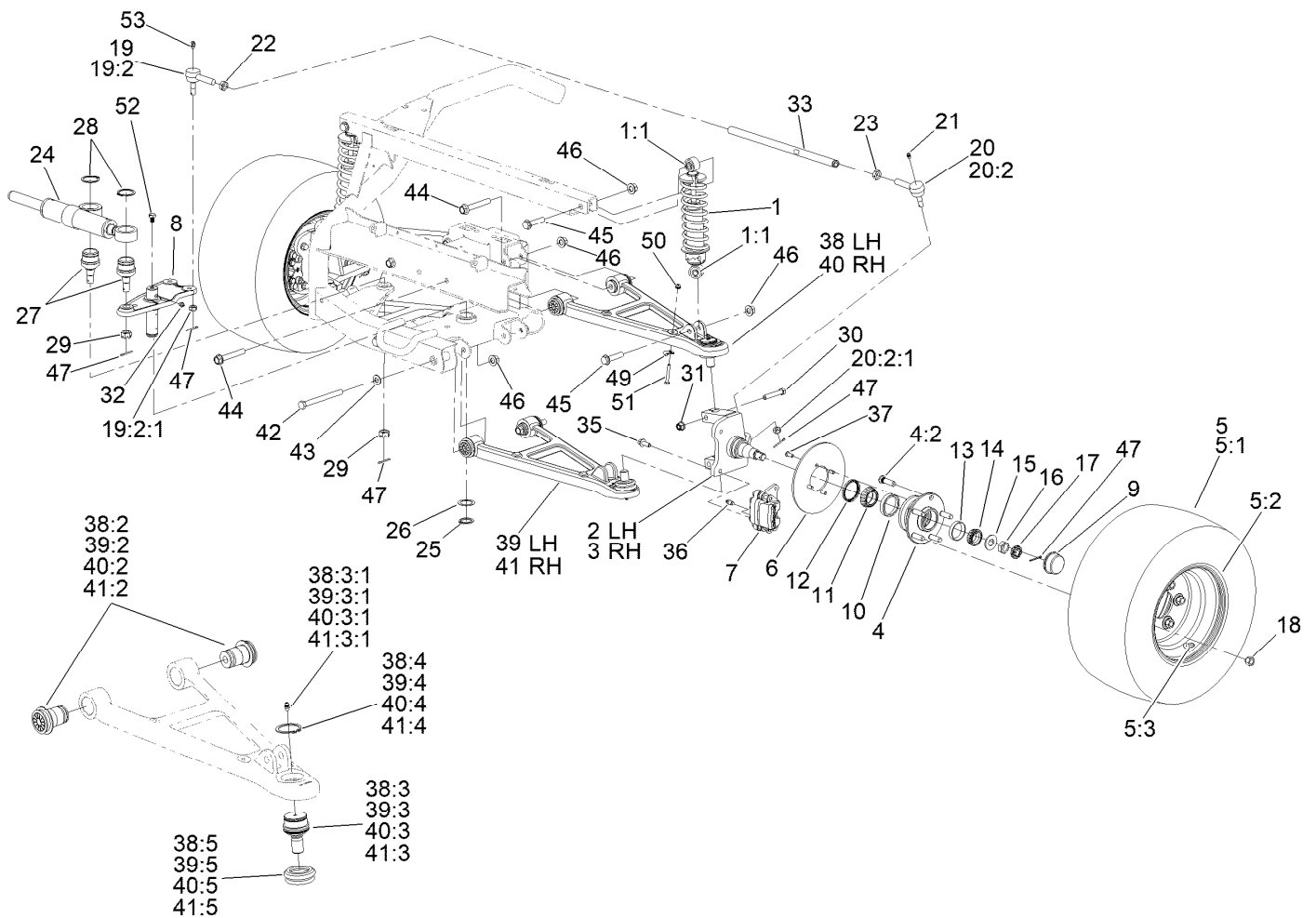
| Ref. | Part Number | Qty. | Description          |
|------|-------------|------|----------------------|
| 1    | 104-6845    | 1    | Reservoir ASM        |
| 1:1  | 92-4112     | 1    | Cap ASM              |
| 2    | 93-8971     | 2    | Seal-Port, Flange    |
| 3    | 92-4103     | 1    | Pin-Stop             |
| 4    | 92-4102     | 1    | Secondary Piston ASM |
| 5    | 92-4110     | 1    | Clevis               |
| 6    | 21-0360     | 1    | Nut-Hex              |
| 7    | 94-5209     | 1    | Cover-Dust           |
| 8    | 94-5210     | 1    | Rod-Push             |
| 9    | 92-4109     | 1    | Ring-Snap            |
| 10   | 92-4108     | 1    | Retainer-Washer      |
| 11   | 92-4101     | 1    | Primary Piston ASM   |



## Front Suspension Assembly

| Ref. | Part Number | Qty. | Description           | Ref.   | Part Number | Qty. | Description                  |
|------|-------------|------|-----------------------|--------|-------------|------|------------------------------|
| 1    | 147-3170    | 2    | Shock ASM - Coil Over | 14     | 254-94      | 2    | Bearing-Cone, Tapered        |
| 1:1  | 131-8574    | 2    | Isolator-Shock        | 15     | 93-0309     | 2    | Washer-Tab                   |
| 2    | 147-3160    | 1    | Spindle, LH           | 16     | 3220-7      | 2    | Nut-Jam                      |
| 3    | 147-4654    | 1    | Spindle, RH           | 17     | 93-0307     | 2    | Nut-Lock, Retainer           |
| 4    | 117-8071    | 2    | Hub ASM               | 18     | 242-50      | 10   | Nut-Lug                      |
| 4:2  | 10-6830     | 5    | Stud-Type, Drive      | 19     | 112772-03   | 2    | Joint-Ball, RH               |
| 5    | 125-0763    | 2    | Tire And Wheel ASM    | 19:2   |             | 1    | Socket-Balljoint ●           |
| 5:1  | 120-7639    | 1    | Tire                  | 19:2:1 | 915031      | 1    | Nut                          |
| 5:2  | 125-0764    | 1    | Wheel                 | 20     | 112771-03   | 2    | Joint-Ball, LH               |
| 5:3  | 232-27      | 1    | Stem-Valve            | 20:2   |             | 1    | Socket-Balljoint ●           |
| 6    | 136-6295    | 2    | Rotor-Brake           | 20:2:1 | 915031      | 1    | Nut                          |
| 7    | 127-7424    | 2    | Brake Caliper ASM     | 21     | 302-5       | 2    | Fitting-Grease               |
| 8    | 137-1602    | 1    | Pitman Arm (Mach)     | 22     | 3220-11     | 2    | Nut-Jam                      |
| 9    | 241-119     | 2    | Cap-Dust              | 23     | 3218-21     | 2    | Nut-Jam LH                   |
| 10   | 254-107     | 2    | Cup-Bearing, Tapered  | 24     | 125-0720    | 1    | Cylinder-Hydraulic, Steering |
| 11   | 254-106     | 2    | Cone-Bearing, Tapered | 25     | 32151-77    | 1    | Ring-Retaining, External     |
| 12   | 108-7019    | 2    | Seal-Shaft            | 26     | 76-2980     | 1    | Washer-Thrust                |
| 13   | 254-72      | 2    | Bearing-Cup, Tapered  | 27     | 117-9875    | 2    | Joint-Ball                   |

● Not serviced separately

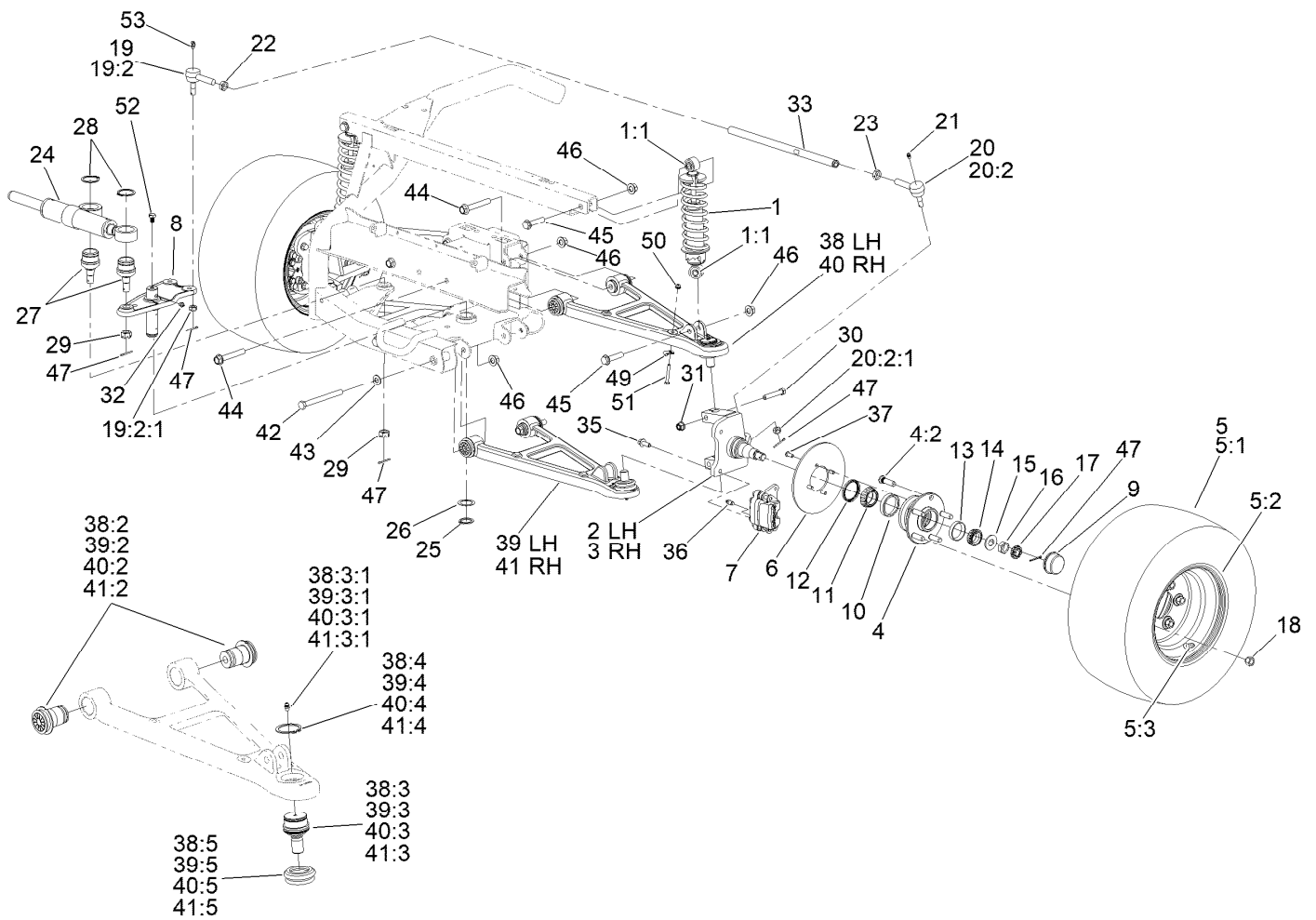


## Front Suspension Assembly (continued)

| Ref.   | Part Number | Qty. | Description              | Ref.   | Part Number | Qty. | Description              |
|--------|-------------|------|--------------------------|--------|-------------|------|--------------------------|
| 28     | 32151-104   | 2    | Ring-Retaining, External | 39:3:1 | 302-5       | 1    | Fitting-Grease           |
| 29     | 32136-2     | 2    | Nut-SHH                  | 39:4   | 32151-104   | 1    | Ring-Retaining, External |
| 30     | 324-10      | 4    | Screw-HH                 | 39:5   | 87-2420     | 1    | Seal-Joint, Ball         |
| 31     | 114-8417    | 4    | Nut-HF, NI               | 40     | 125-8023    | 1    | RH Upper Control Arm ASM |
| 32     | 302-52      | 1    | Fitting-Grease           | 40:2   | 87-1450     | 2    | Bushing-Flange           |
| 33     | 115-7654    | 2    | Tie Rod                  | 40:3   | 115-2165    | 1    | Ball Joint               |
| 35     | 3234-11     | 4    | Screw-HHF                | 40:3:1 | 302-5       | 1    | Fitting-Grease           |
| 36     | 119-9509    | 2    | Screw-Bleed              | 40:4   | 32151-104   | 1    | Ring-Retaining, External |
| 37     | 3274-55     | 8    | Screw-HSBH               | 40:5   | 87-2420     | 1    | Seal-Joint, Ball         |
| 38     | 125-8021    | 1    | LH Upper Control Arm ASM | 41     | 125-8024    | 1    | RH Lower Control Arm ASM |
| 38:2   | 87-1450     | 2    | Bushing-Flange           | 41:2   | 87-1450     | 2    | Bushing-Flange           |
| 38:3   | 115-2165    | 1    | Ball Joint               | 41:3   | 115-2165    | 1    | Ball Joint               |
| 38:3:1 | 302-5       | 1    | Fitting-Grease           | 41:3:1 | 302-5       | 1    | Fitting-Grease           |
| 38:4   | 32151-104   | 1    | Ring-Retaining, External | 41:4   | 32151-104   | 1    | Ring-Retaining, External |
| 38:5   | 87-2420     | 1    | Seal-Joint, Ball         | 41:5   | 87-2420     | 1    | Seal-Joint, Ball         |
| 39     | 125-8022    | 1    | LH Lower Control Arm ASM | 42     | 325-22      | 2    | Screw-HH                 |
| 39:2   | 87-1450     | 2    | Bushing-Flange           | 43     | 3256-26     | 2    | Washer-Flat              |
| 39:3   | 115-2165    | 1    | Ball Joint               | 44     | 114-8419    | 6    | Screw-HHF                |

● Not serviced separately

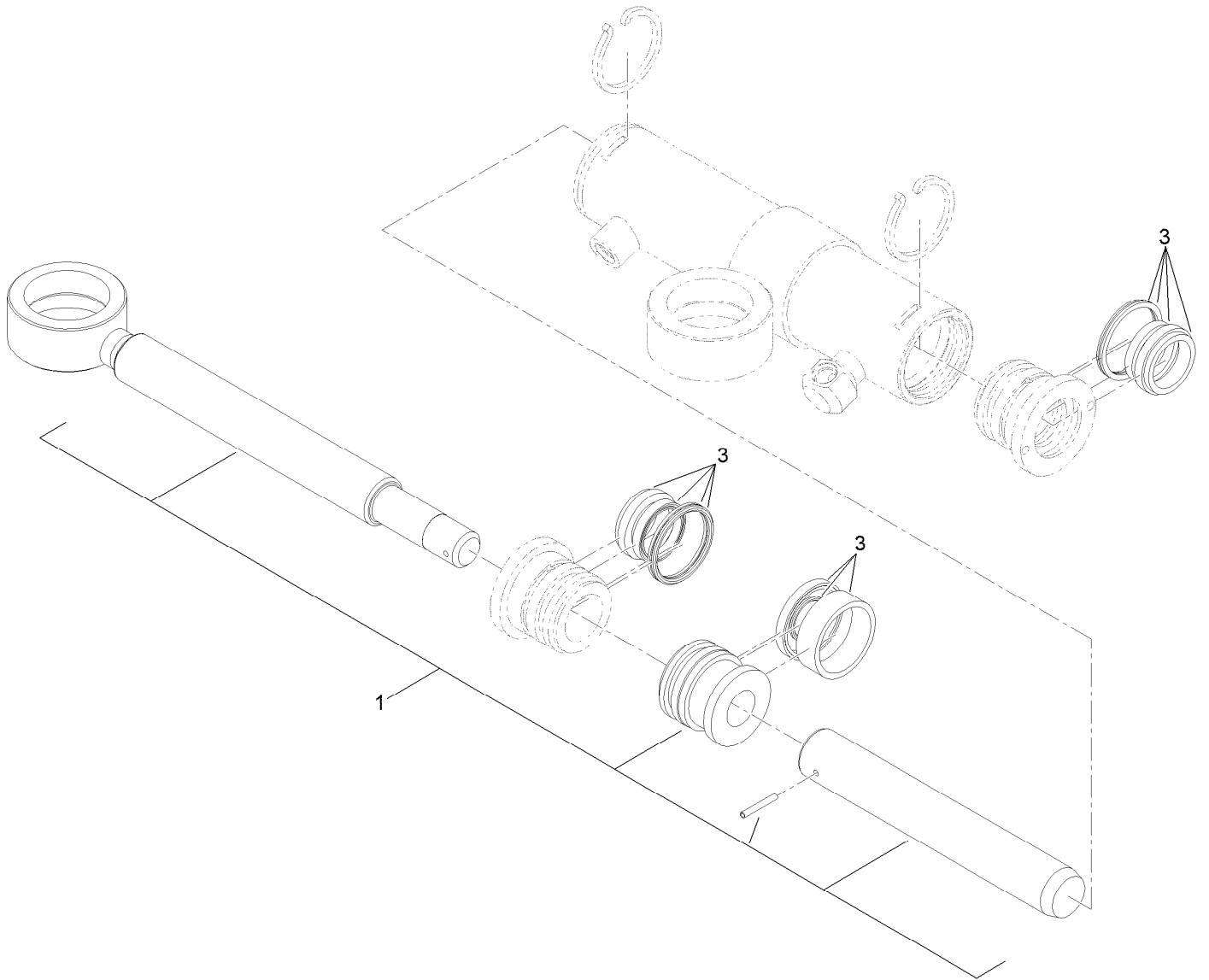




## Front Suspension Assembly (continued)

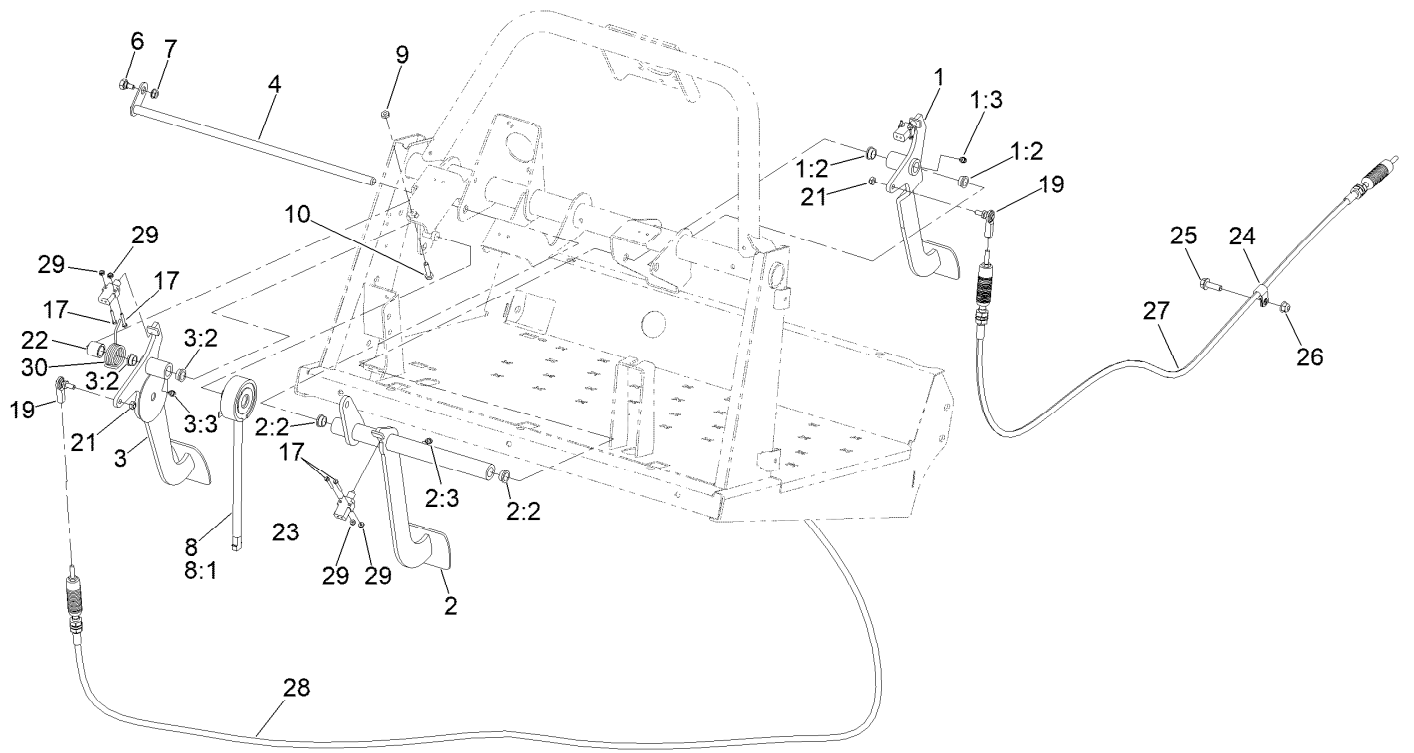
| Ref. | Part Number | Qty. | Description            | Ref. | Part Number | Qty. | Description    |
|------|-------------|------|------------------------|------|-------------|------|----------------|
| 45   | 3234-46     | 4    | Screw-HHF              | 50   | 104-7201    | 2    | Nut-HF, NI     |
| 46   | 99-5107     | 12   | Nut-Lock               | 51   | 321-11      | 2    | Screw-HH       |
| 47   | 3272-12     | 8    | Pin-Cotter             | 52   | 302-60      | 2    | Fitting-Grease |
| 49   | 2412-72     | 2    | Clip-Closed, Insulated | 53   | 138-6279    | 1    | Screw-Cap, HH  |

● Not serviced separately



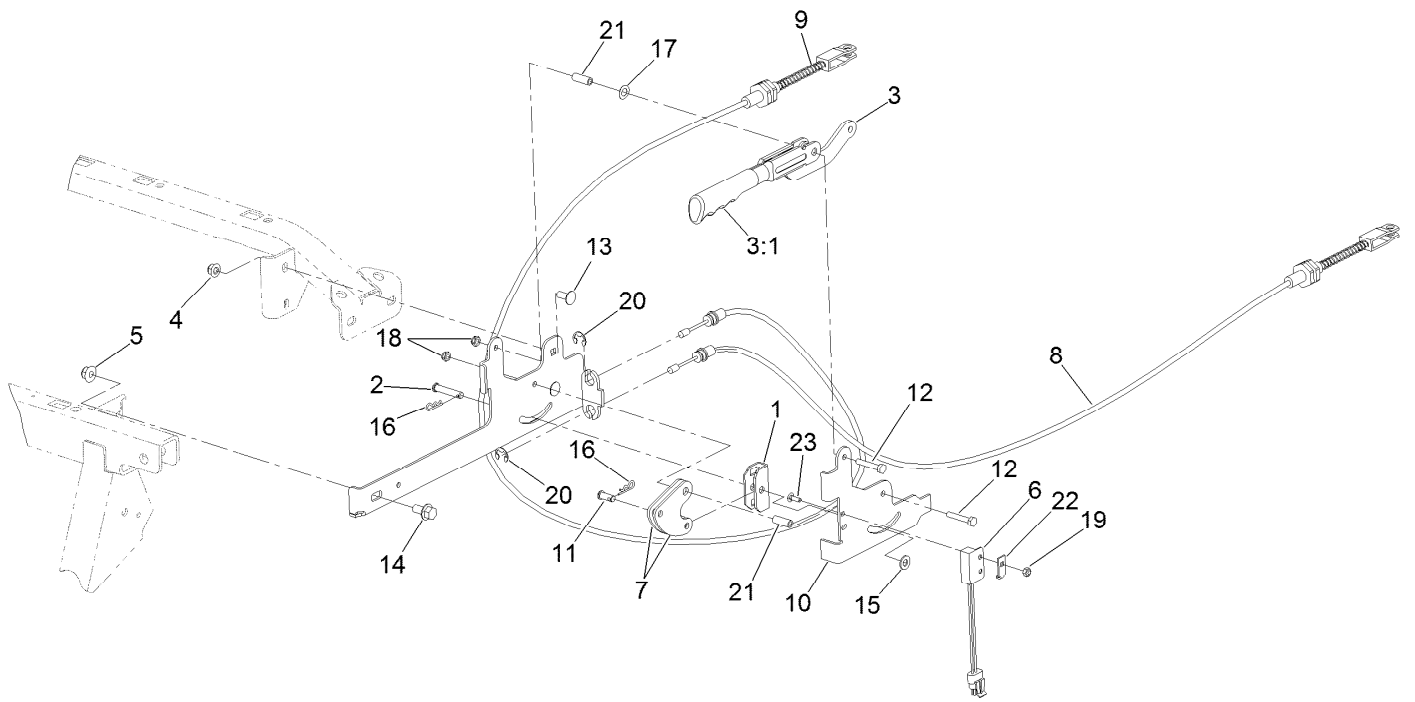
## Hydraulic Cylinder Assembly No. 125-0720

| <i>Ref.</i> | <i>Part Number</i> | <i>Qty.</i> | <i>Description</i>  |
|-------------|--------------------|-------------|---------------------|
| 1           | 125-0722           | 1           | Rod-Cylinder        |
| 3           | 115-2160           | 1           | Cylinder Repair Kit |



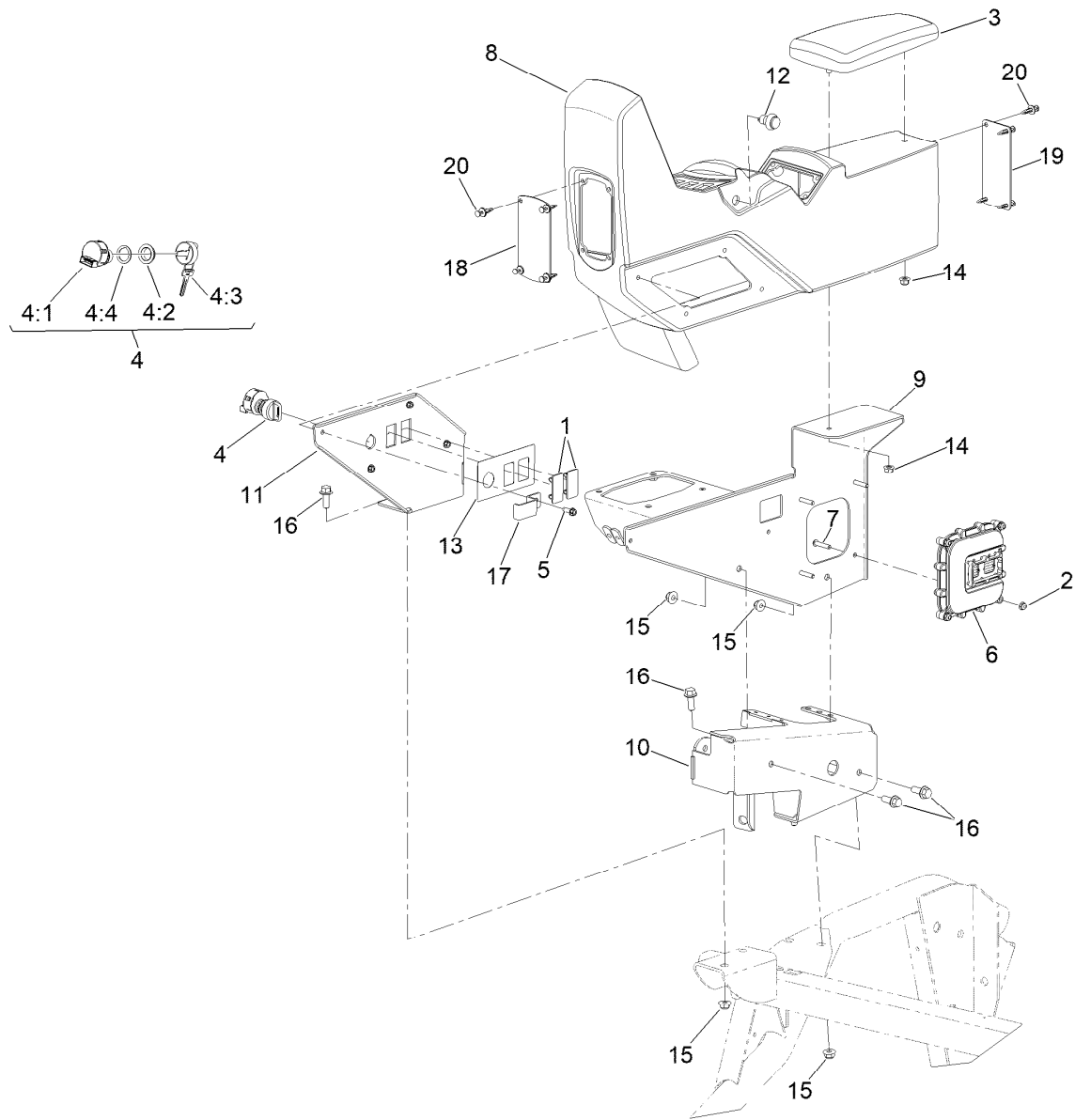
## Pedal Assembly

| Ref. | Part Number | Qty. | Description            | Ref. | Part Number | Qty. | Description        |
|------|-------------|------|------------------------|------|-------------|------|--------------------|
| 1    | 147-3587    | 1    | Pedal, Clutch ASM      | 9    | 3218-1      | 1    | Nut-Jam            |
| 1:2  | 256-156     | 2    | Bushing-Flange         | 10   | 321-6       | 1    | Screw-HH           |
| 1:3  | 302-5       | 1    | Fitting-Grease         | 17   | 32105-9     | 6    | Screw-HH           |
| 2    | 147-3585    | 1    | Pedal, Brake ASM       | 19   | 110-2554    | 2    | Rod End-Spherical  |
| 2:2  | 256-156     | 2    | Bushing-Flange         | 21   | 3296-13     | 2    | Nut-Lock, NI       |
| 2:3  | 302-5       | 1    | Fitting-Grease         | 22   | 99-2079     | 1    | Spacer             |
| 3    | 147-3586    | 1    | Pedal, Accelerator ASM | 23   | 99-3410     | 3    | Switch             |
| 3:2  | 256-156     | 2    | Bushing-Flange         | 24   | 2412-93     | 1    | Clamp-R            |
| 3:3  | 302-5       | 1    | Fitting-Grease         | 25   | 3234-17     | 1    | Screw-HHF          |
| 4    | 125-0825    | 1    | Pivot                  | 26   | 104-8300    | 1    | Nut-HF, NI         |
| 6    | 63-3410     | 1    | Screw-Shoulder         | 27   | 125-0957    | 1    | Cable-Clutch       |
| 7    | 32128-33    | 1    | Nut-HF                 | 28   | 125-0958    | 1    | Cable-Accelerator  |
| 8    | 99-8090     | 1    | Magnet ASM             | 29   | 3296-9      | 6    | Nut-Hex            |
| 8:1  | 93-6601     | 1    | Spring-Compression     | 30   | 130-7060    | 1    | Spring-Torsion, LH |



## Parking Brake Lever and Cable Assembly

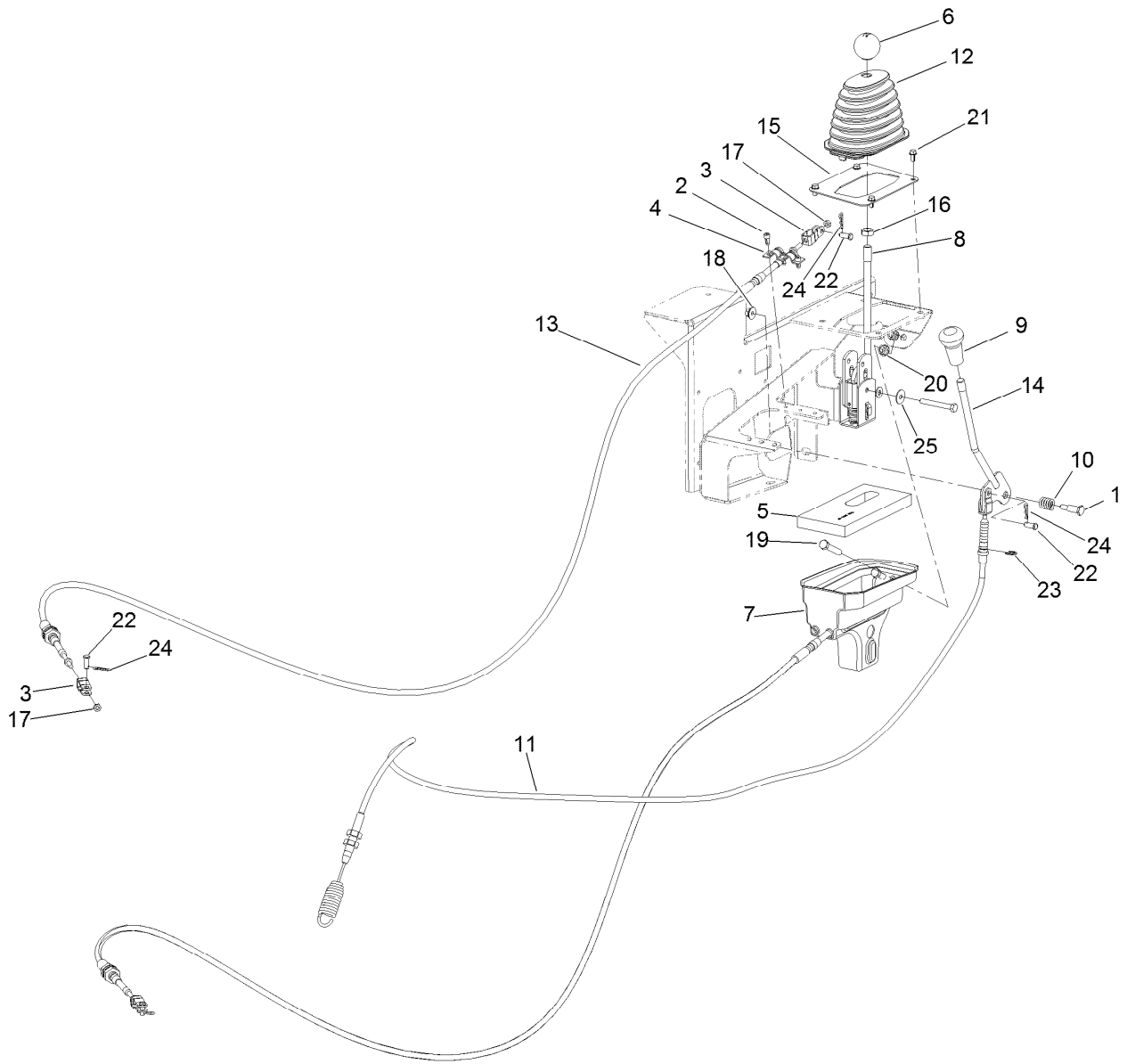
| <i>Ref.</i> | <i>Part Number</i> | <i>Qty.</i> | <i>Description</i>         | <i>Ref.</i> | <i>Part Number</i> | <i>Qty.</i> | <i>Description</i>       |
|-------------|--------------------|-------------|----------------------------|-------------|--------------------|-------------|--------------------------|
| 1           | 87-3480            | 1           | Bracket-Equalizer, Cable   | 12          | 321-9              | 2           | Screw-HH                 |
| 2           | 94-3829            | 1           | Pin-Clevis                 | 13          | 3230-23            | 2           | Bolt-CARR                |
| 3           | 127-8863           | 1           | Lever-Brake, Park          | 14          | 3234-1             | 1           | Screw-HHF                |
| 3:1         | 127-8864           | 1           | Grip-Handle                | 15          | 3256-23            | 1           | Washer-Plain             |
| 4           | 104-8300           | 2           | Nut-HF, NI                 | 16          | 3290-307           | 2           | Pin-Cotter               |
| 5           | 104-8301           | 1           | Nut-HF, NI                 | 17          | 3290-477           | 1           | Washer-Curved            |
| 6           | 105-0023           | 1           | Switch-Proximity           | 18          | 3296-56            | 2           | Nut-Lock, NI             |
| 7           | 106-7814           | 2           | Bellcrank                  | 19          | 3296-2             | 1           | Nut-Lock, NI             |
| 8           | 136-2444           | 1           | Cable-Parking Brake, LH    | 20          | 32120-47           | 2           | Ring-Retaining, External |
| 9           | 136-2445           | 1           | Cable-Parking Brake, RH    | 21          | 114402             | 2           | Spacer                   |
| 10          | 136-2353-0P        | 1           | Parking Brake ASM [primed] | 22          | 100-4872           | 1           | Plate-Switch, Neutral    |
| 11          | 283-62             | 1           | Pin-Clevis                 | 23          | 3229-34            | 1           | Screw-CARR               |



## Control Console Mount Assembly

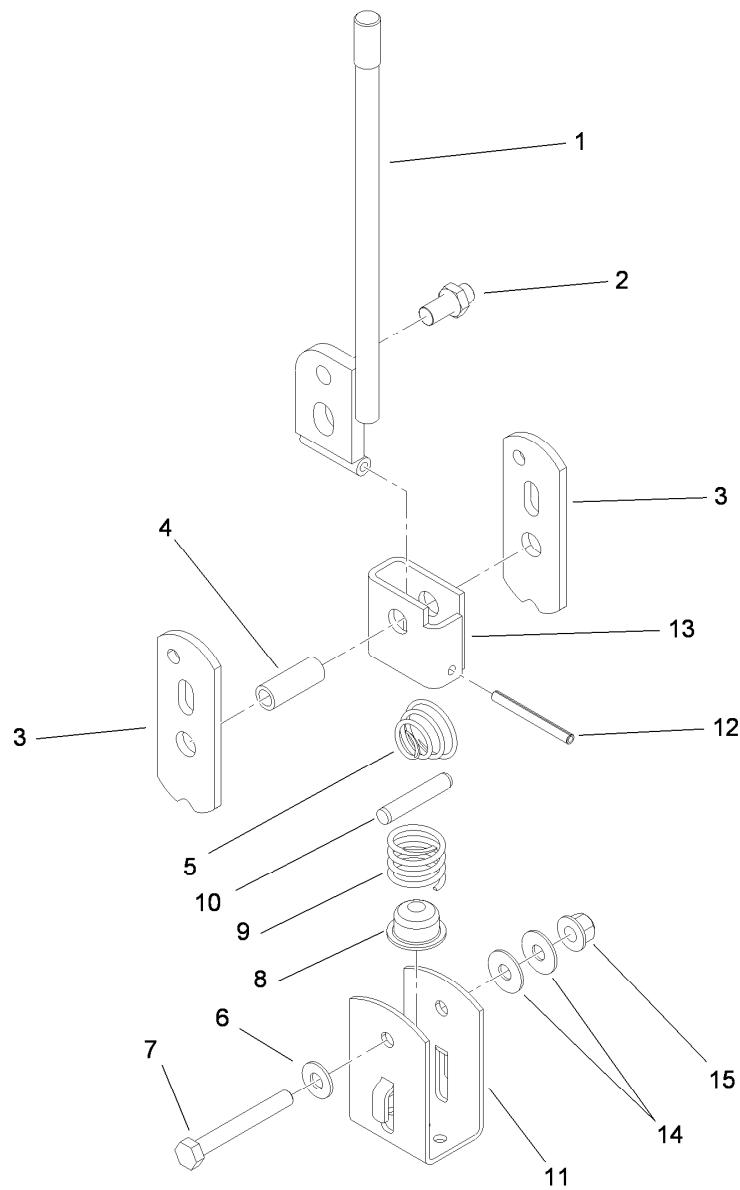
| Ref. | Part Number | Qty. | Description                | Ref. | Part Number | Qty. | Description            |
|------|-------------|------|----------------------------|------|-------------|------|------------------------|
| 1    | 99-7420     | 2    | Plug-Hole                  | 10   | 125-4188-0P | 1    | Shifter-Mount [primed] |
| 2    | 104-7201    | 4    | Nut-HF, NI                 | 11   | 125-4191-03 | 1    | Console Mount ASM      |
| 3    | 108-7602    | 1    | Rest-Arm                   | 12   | 125-7996    | 1    | Switch-Pb, Momentary   |
| 4    | 110-2580    | 1    | Switch-Key, Supervisor     | 13   | 125-8114    | 1    | Decal-Control Panel    |
| 4:1  |             | 1    | Switch-Key ●               | 14   | 104-8300    | 2    | Nut-HF, NI             |
| 4:2  | 108-8660    | 1    | Nut-Mounting               | 15   | 104-8301    | 6    | Nut-HF, NI             |
| 4:3  | 110-5221    | 1    | Set-Key, Supervisor        | 16   | 3234-11     | 6    | Screw-HHF              |
| 4:4  | 108-8659    | 1    | Washer-Backup              | 17   | 136-2309    | 1    | Bracket-Mount, Radio   |
| 5    | 49-2040     | 4    | Screw-HWHTF                | 18   | 147-4692-03 | 1    | Plate-Cover, Front     |
| 6    | 122-3374    | 1    | Controller                 | 19   | 147-4693-03 | 1    | Plate-Cover, Rear      |
| 7    | 120-0834    | 4    | Screw-HSBH                 | 20   | 125-9622    | 8    | Rivet-Blind            |
| 8    | 147-0613    | 1    | Console-Armrest            |      |             |      |                        |
| 9    | 125-4108-0P | 1    | Console-Mount ASM [primed] |      |             |      |                        |

● Not serviced separately



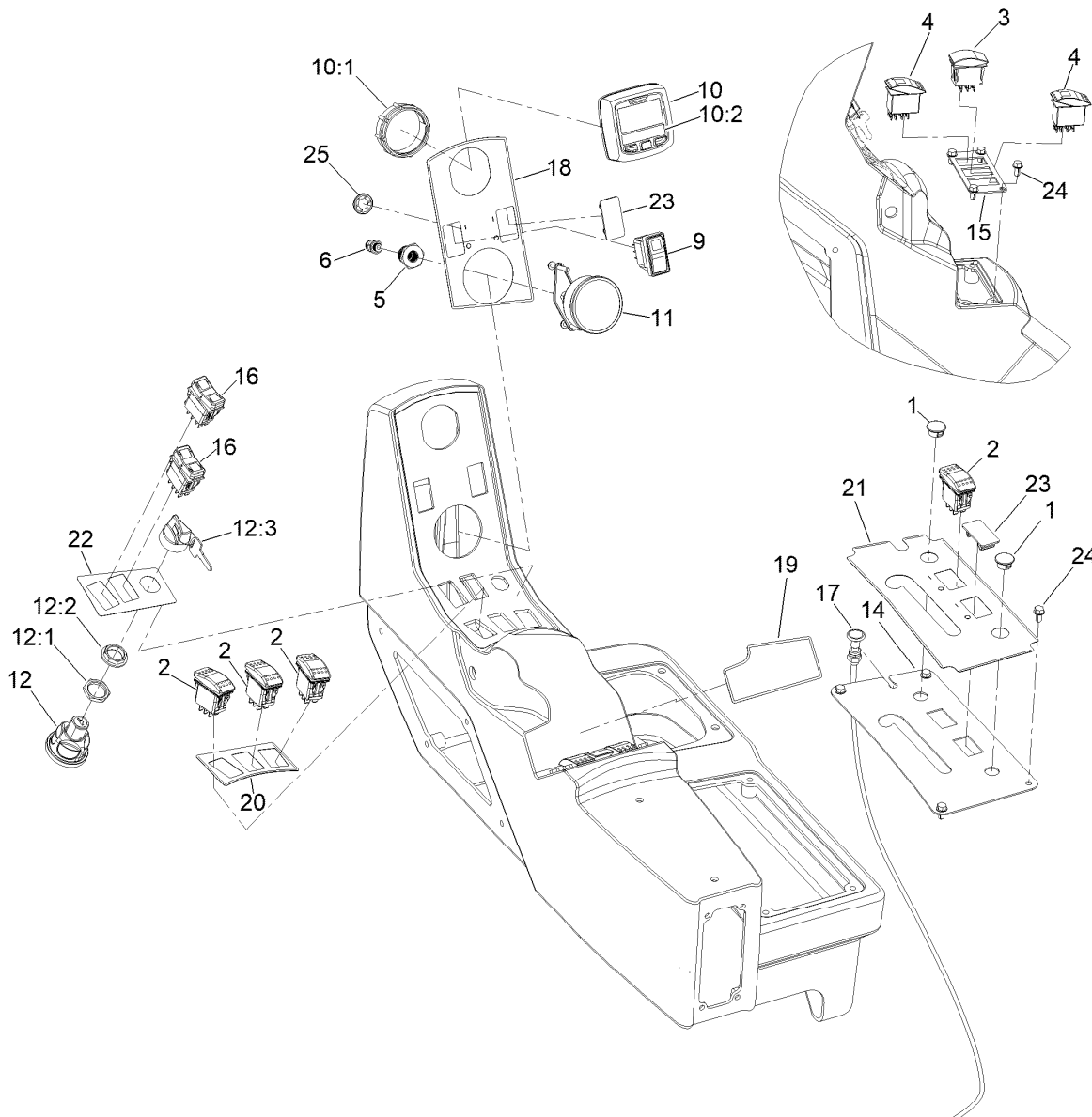
## Gear Shift and Drift Lock Control Assembly

| <i>Ref.</i> | <i>Part Number</i> | <i>Qty.</i> | <i>Description</i>        | <i>Ref.</i> | <i>Part Number</i> | <i>Qty.</i> | <i>Description</i>       |
|-------------|--------------------|-------------|---------------------------|-------------|--------------------|-------------|--------------------------|
| 1           | 63-2650            | 1           | Screw-Shoulder            | 13          | 125-0880           | 2           | Cable-Shift              |
| 2           | 65-5220            | 3           | Screw-HSH, Thread Forming | 14          | 125-0894           | 1           | Handle-Difflock          |
| 3           | 87-2310            | 4           | Clevis-Cable              | 15          | 125-8030-03        | 1           | Cover-Shifter            |
| 4           | 87-4960            | 1           | Clamp-Cable               | 16          | 3218-18            | 1           | Nut-Jam                  |
| 5           | 87-6570            | 1           | Seal-Boot, Lower          | 17          | 3220-1             | 4           | Nut-Jam                  |
| 6           | 87-6720            | 1           | Knob-Shift                | 18          | 32128-13           | 1           | Nut-HF                   |
| 7           | 106-2376           | 1           | Boot-Shift, Lower         | 19          | 323-10             | 2           | Screw-HH                 |
| 8           | 106-7887           | 1           | Shift ASM                 | 20          | 3290-357           | 2           | Nut-HSF                  |
| 9           | 106-7952           | 1           | Knob                      | 21          | 93-6083            | 4           | Screw-HWH                |
| 10          | 136-7121           | 1           | Spring-Compression        | 22          | 283-62             | 5           | Pin-Clevis               |
| 11          | 115-2287           | 1           | Cable-Lock, Differential  | 23          | 32120-47           | 1           | Ring-Retaining, External |
| 12          | 117-8063           | 1           | Boot-Shift                | 24          | 3290-307           | 5           | Pin-Cotter               |
|             |                    |             |                           | 25          | 108-4925           | 1           | Washer                   |



## Shift Assembly No. 106-7887

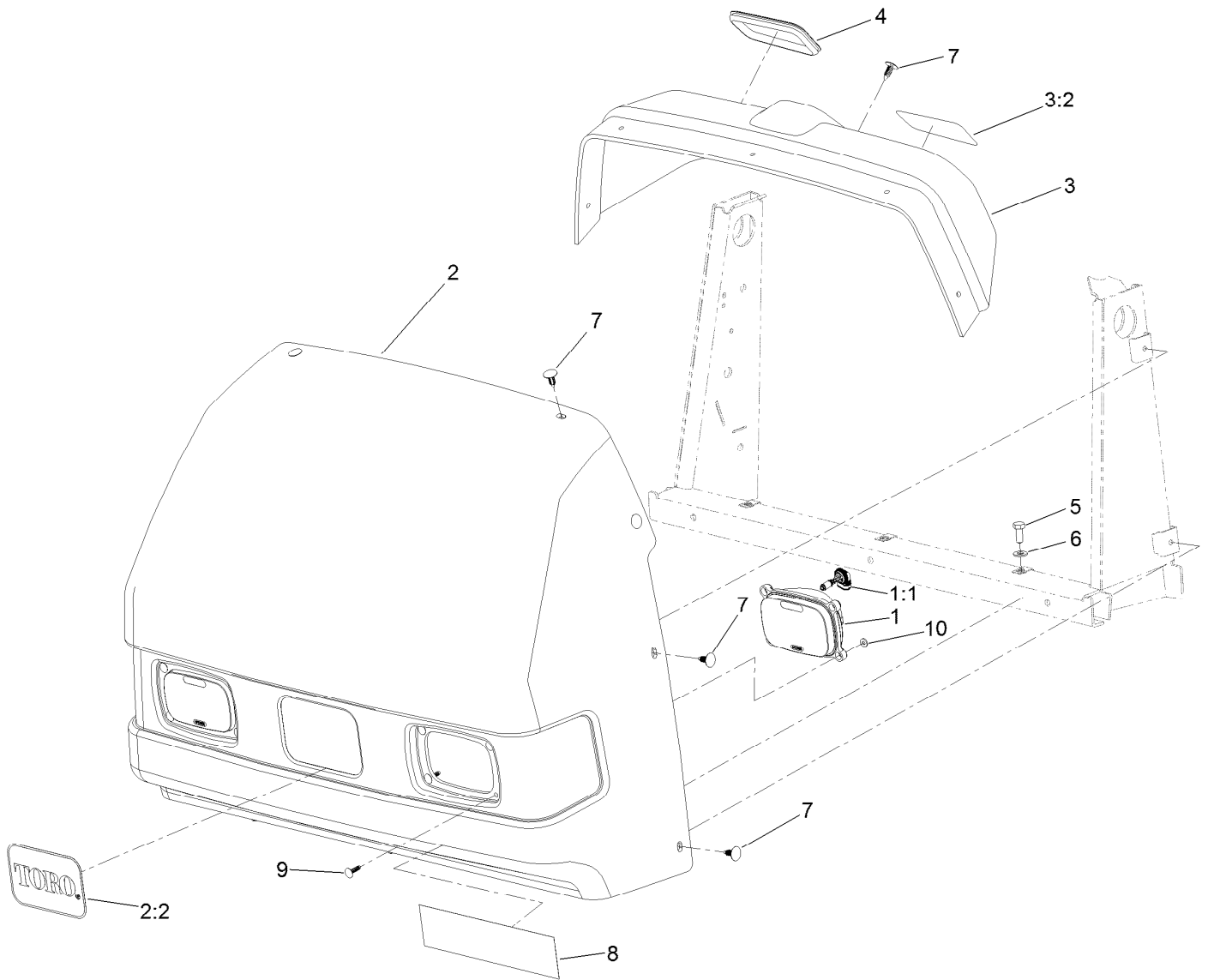
| <i>Ref.</i> | <i>Part Number</i> | <i>Qty.</i> | <i>Description</i> |
|-------------|--------------------|-------------|--------------------|
| 1           | 131-3469           | 1           | Lever-Shift        |
| 2           | 87-3650            | 1           | Pin-Shift          |
| 3           | 87-3540            | 2           | Link-Shift         |
| 4           | 87-2520            | 1           | Tube-Pivot         |
| 5           | 87-2900            | 1           | Spring-Compression |
| 6           | 87-8640            | 1           | Washer-Flat        |
| 7           | 322-12             | 1           | Screw-HH           |
| 8           | 87-3530            | 1           | Button-Shifter     |
| 9           | 87-3660            | 1           | Spring-Compression |
| 10          | 3290-507           | 1           | Pin-Dowel          |
| 11          | 87-3520            | 1           | Clevis             |
| 12          | 32121-48           | 1           | Pin-Spring         |
| 13          | 87-6040            | 1           | Bracket-Shifter    |
| 14          | 3290-456           | 2           | Washer-Belleville  |
| 15          | 104-8300           | 1           | Nut-HF, NI         |



## Control Console Assembly

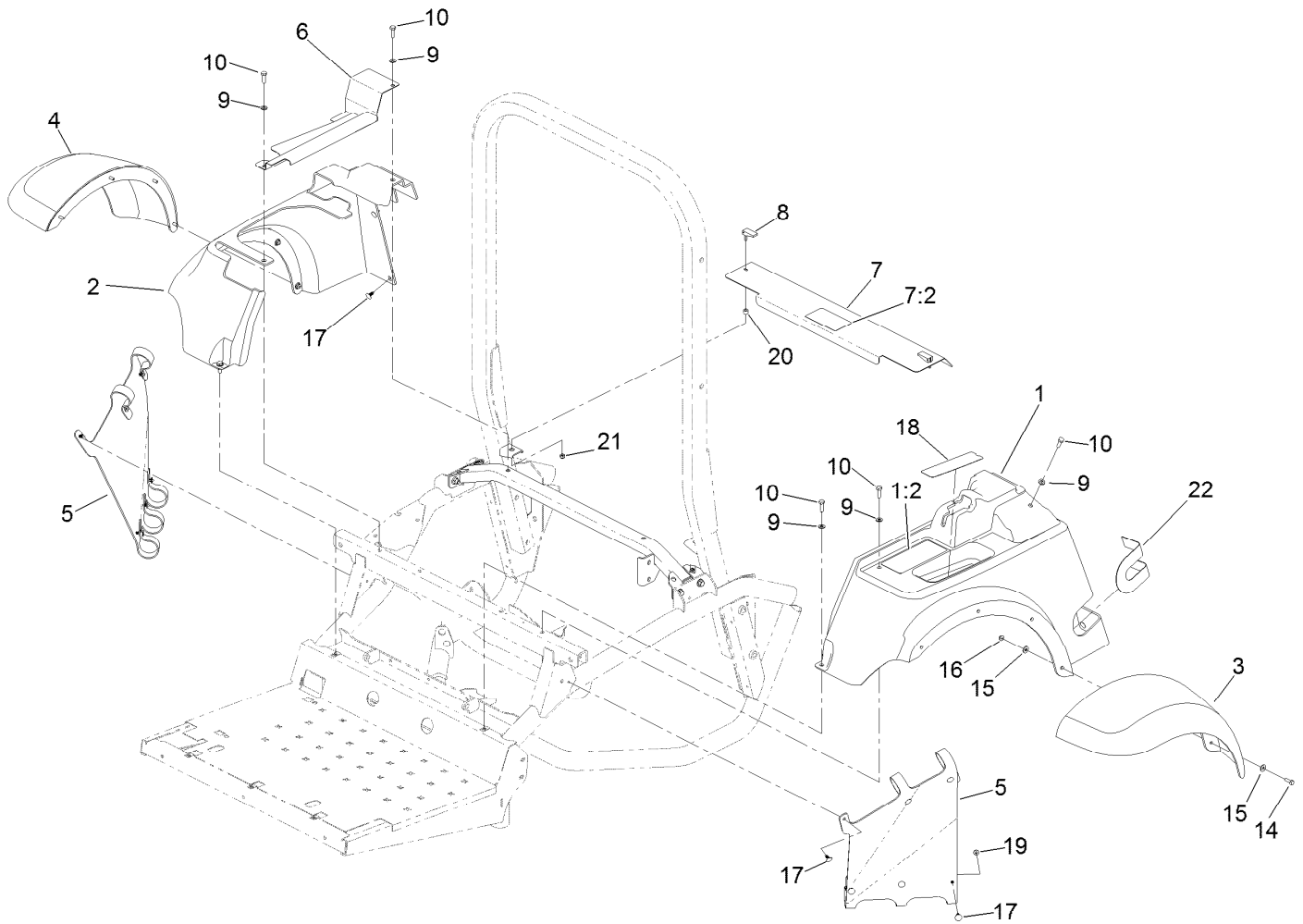
| <i>Ref.</i> | <i>Part Number</i> | <i>Qty.</i> | <i>Description</i>           | <i>Ref.</i> | <i>Part Number</i> | <i>Qty.</i> | <i>Description</i>         |
|-------------|--------------------|-------------|------------------------------|-------------|--------------------|-------------|----------------------------|
| 1           | 94-5627            | 2           | Plug                         | 12:1        | 121-5160           | 1           | Nut-Hex                    |
| 2           | 95-8999            | 4           | Switch-Rocker, On-None-On    | 12:2        | 122-2704           | 1           | Nut-Face, M22 (Plastic)    |
| 3           | 100-1535           | 1           | Switch-Rocker, (On)-Off-(On) | 12:3        | 121-5162           | 1           | Set-Key, Ignition          |
| 4           | 100-8490           | 2           | Switch-Rocker, On-None-On    | 14          | 125-0896-03        | 1           | Panel-Cover                |
| 5           | 100-8665           | 1           | Reducer-Gauge, Pressure      | 15          | 125-0898-03        | 1           | Panel-Switches             |
| 6           | 100-8667           | 1           | Coupler-Reducer              | 16          | 125-0899           | 2           | Switch-Rocker              |
| 9           | 120-0695           | 1           | Switch-Rocker, On-Off-(On)   | 17          | 125-8047           | 1           | Choke-Control              |
| 10          | 120-6310           | 1           | LCD Display ASM Kantrak 1700 | 18          | 147-4698           | 1           | Decal-Control Panel, Upper |
| 10:1        | 120-4630           | 1           | Nut-Display                  | 19          | 130-8293           | 1           | Decal-Control Panel, Rear  |
| 10:2        | 120-6311           | 1           | Decal-Display                | 20          | 147-4699           | 1           | Decal-Control Panel, Spray |
| 11          | 120-8546           | 1           | Gauge-Pressure               | 21          | 137-4289           | 1           | Decal-Control Panel        |
| 12          | 121-5159           | 1           | Switch-Ignition              | 22          | 125-4128           | 1           | Decal-Switch Panel, Center |
|             |                    |             |                              | 23          | 99-7420            | 2           | Plug-Hole                  |
|             |                    |             |                              | 24          | 93-6083            | 8           | Screw-HWH                  |
|             |                    |             |                              | 25          | 1-323142           | 1           | Nut-Push                   |





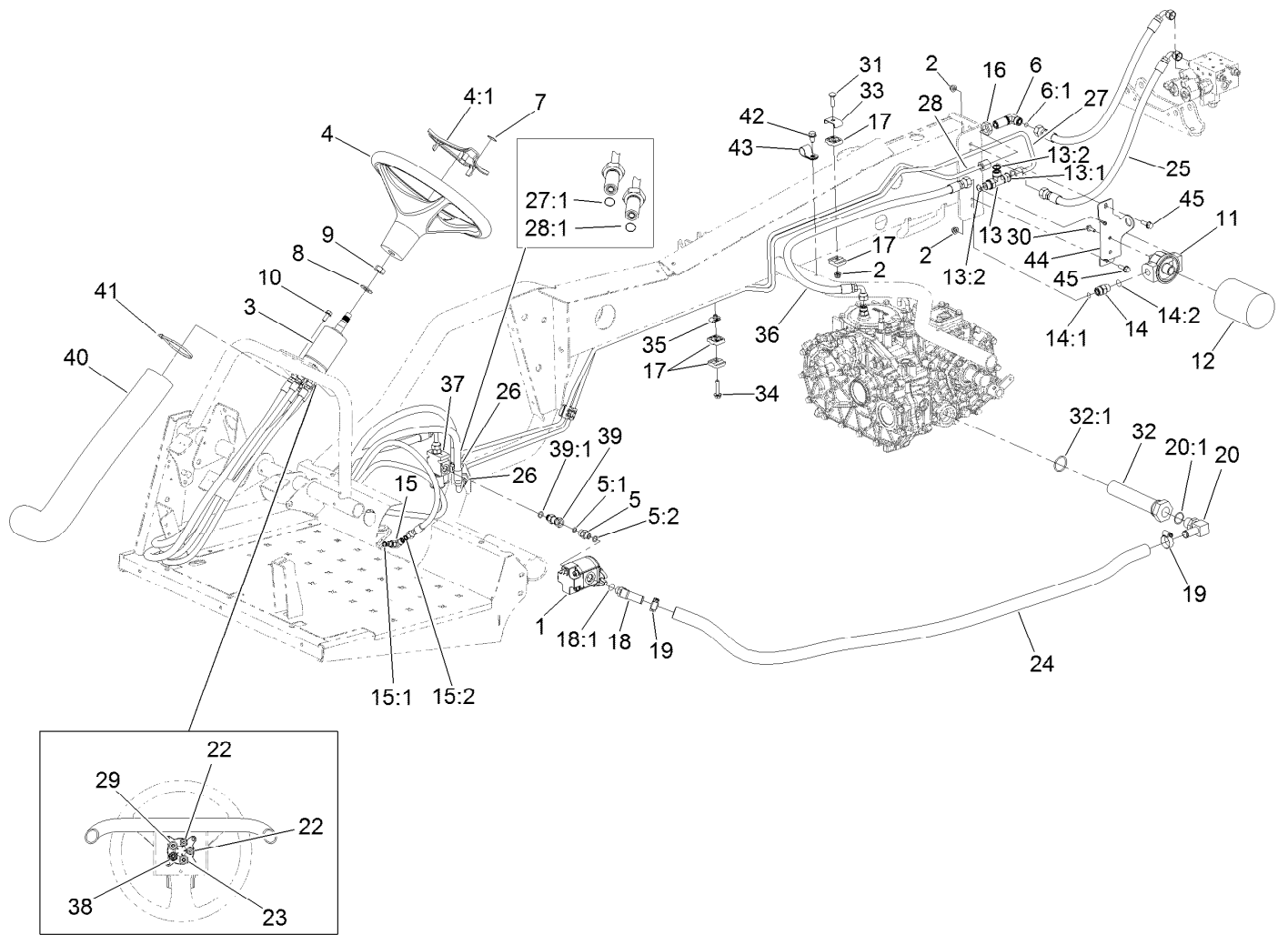
## Hood, Dash and Headlight Assembly

| <i>Ref.</i> | <i>Part Number</i> | <i>Qty.</i> | <i>Description</i>      |
|-------------|--------------------|-------------|-------------------------|
| 1           | 125-0672           | 2           | Headlight ASM           |
| 1:1         | 125-0673           | 1           | Halogen-Bulb            |
| 2           | 127-3982           | 1           | Hood                    |
| 2:2         | 67-1300            | 1           | Decal                   |
| 3           | 125-0939           | 1           | Dash                    |
| 3:2         | 127-3941           | 1           | Decal-Warning           |
| 4           | 125-8059           | 1           | Cover- Reservoir, Brake |
| 5           | 322-3              | 3           | Screw-HH                |
| 6           | 3256-23            | 3           | Washer-Plain            |
| 7           | 117-2382           | 10          | Plug-Plastic            |
| 8           | 127-3944           | 1           | Decal                   |
| 9           | 125-8067           | 8           | Plug-Plastic            |
| 10          | 3256-21            | 8           | Washer-Flat             |



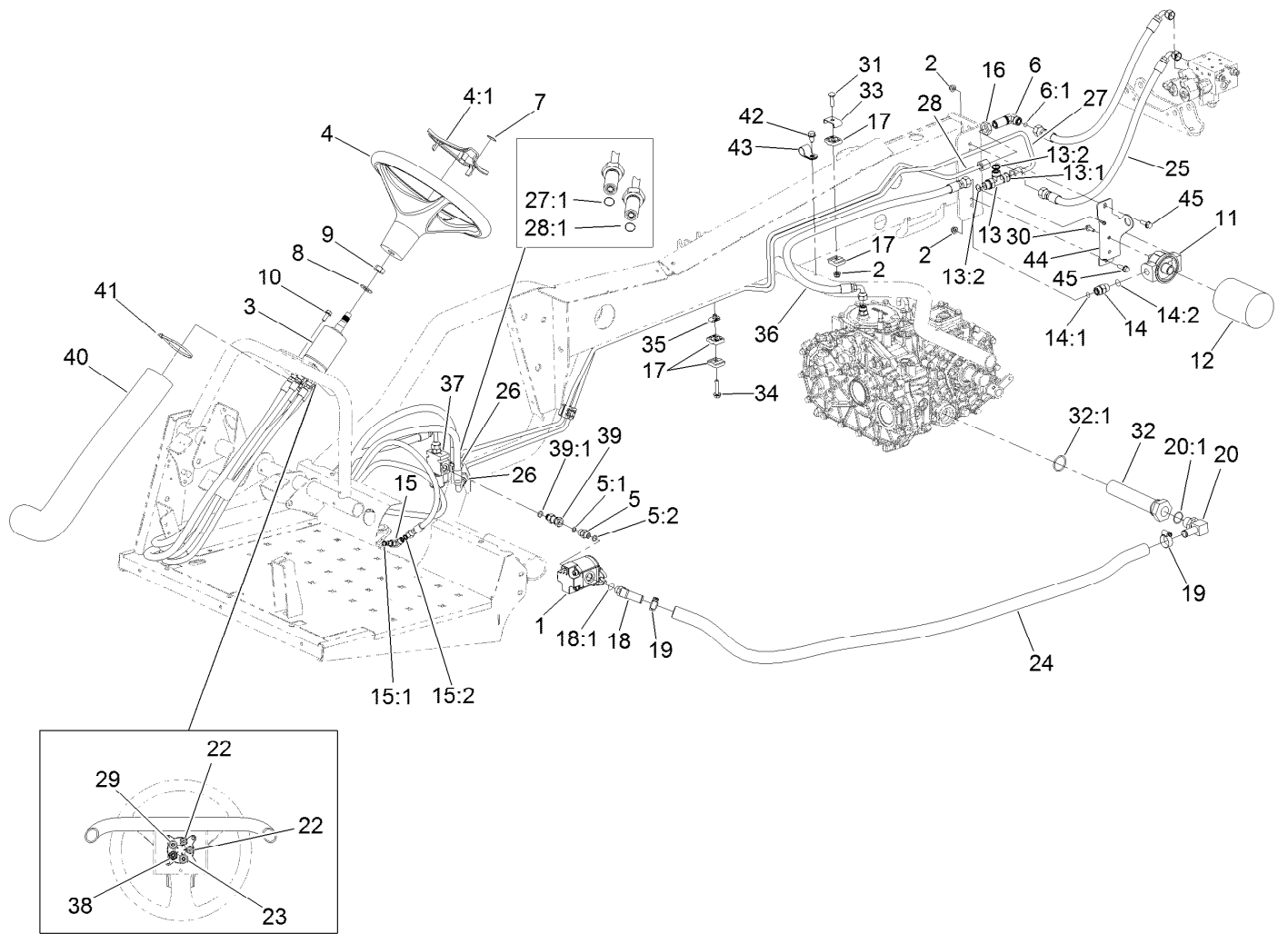
## Seat Base and Front Fender Assembly

| <i>Ref.</i> | <i>Part Number</i> | <i>Qty.</i> | <i>Description</i>          | <i>Ref.</i> | <i>Part Number</i> | <i>Qty.</i> | <i>Description</i>   |
|-------------|--------------------|-------------|-----------------------------|-------------|--------------------|-------------|----------------------|
| 1           | 127-3980           | 1           | LH Seatbase ASM             | 9           | 3256-23            | 7           | Washer-Plain         |
| 1:2         | 127-3935           | 1           | Decal-Start-Up/Shut-Down    | 10          | 322-5              | 7           | Screw-HH             |
| 2           | 125-0803           | 1           | Seatbase-RH                 | 14          | 321-5              | 8           | Screw-HH             |
| 3           | 125-0902           | 1           | Fender-LH                   | 15          | 3256-2             | 16          | Washer-Flat          |
| 4           | 125-0903           | 1           | Fender-RH                   | 16          | 104-7201           | 8           | Nut-HF, NI           |
| 5           | 125-0935           | 2           | Shroud-Fender, Inner        | 17          | 117-2382           | 16          | Plug-Plastic         |
| 6           | 125-8088-01        | 1           | Cover-Console, Bottom       | 18          | 125-8093           | 1           | Pad-Pocket           |
| 7           | 127-3979           | 1           | Cover-Engine                | 19          | 3256-16            | 10          | Washer-Flat          |
| 7:2         | 127-3937           | 1           | Decal-Warning, Engine Cover | 20          | 106-6778           | 2           | Bushing-Latch, Swell |
| 8           | 106-6777           | 2           | Handle-Latch, Swell         | 21          | 1-804254           | 2           | Nut-Lock, HH         |
|             |                    |             |                             | 22          | 131-5822           | 1           | Guard-Rubber         |



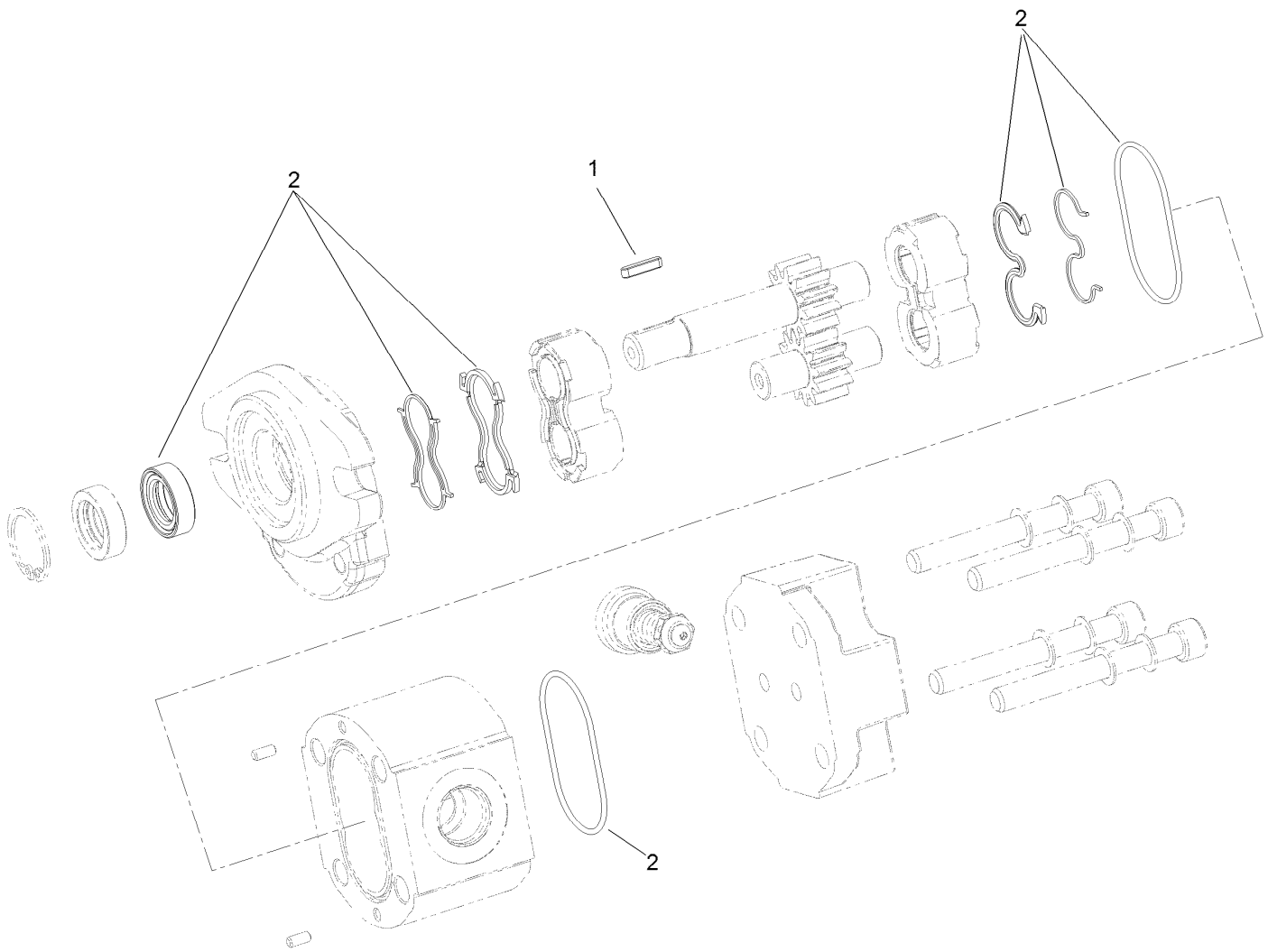
## Hydraulic Steering Assembly

| Ref. | Part Number | Qty. | Description              | Ref. | Part Number | Qty. | Description           |
|------|-------------|------|--------------------------|------|-------------|------|-----------------------|
| 1    | 121-6545    | 1    | HYD Pump ASM             | 14:2 | 237-79      | 1    | O-Ring                |
| 2    | 104-8300    | 4    | Nut-HF, NI               | 15   | 340-132     | 2    | Fitting-Elbow, 90 DEG |
| 3    | 138-6100    | 1    | Steering Control Unit    | 15:1 | 237-78      | 1    | O-Ring                |
| 4    | 98-1471     | 1    | Wheel-Steering           | 15:2 | 237-21      | 1    | O-Ring                |
| 4:1  | 98-1468     | 1    | Cover-Wheel, Steering    | 16   | 340-127     | 1    | Nut-Bulkhead          |
| 5    | 340-2       | 3    | Fitting-Straight         | 17   | 56-7973     | 6    | Clamp-Tube            |
| 5:1  | 237-22      | 1    | O-Ring                   | 18   | 93-6848     | 1    | Fitting-Elbow 45      |
| 5:2  | 237-42      | 1    | O-Ring                   | 18:1 | 237-79      | 1    | O-Ring                |
| 6    | 93-9151     | 1    | Fitting-HYD              | 19   | 2412-129    | 2    | Clamp-Hose            |
| 6:1  | 237-30      | 2    | O-Ring                   | 20   | 353-987     | 1    | Fitting-Elbow, 90     |
| 7    | 98-1459     | 1    | Decal                    | 20:1 | 237-81      | 1    | O-Ring                |
| 8    | 3256-27     | 1    | Washer-Flat              | 22   | 108-5675    | 2    | Hydraulic Hose ASM    |
| 9    | 3296-33     | 1    | Nut-Lock, NI             | 23   | 127-3987    | 1    | Hose ASM              |
| 10   | 33104-020   | 4    | Screw-HHF                | 24   | 125-0952    | 1    | Hose-Suction          |
| 11   | 87-8780     | 1    | Head-Filter              | 25   | 125-0949    | 2    | Hydraulic Hose ASM    |
| 12   | 54-0110     | 1    | Filter-Oil, Transmission | 26   | 340-70      | 2    | Nut-Lock              |
| 13   | 340-109     | 1    | Fitting-Tee              | 27   | 125-4058    | 1    | Hydraulic Tube ASM    |
| 13:1 | 237-79      | 1    | O-Ring                   | 27:1 | 237-22      | 1    | O-Ring                |
| 13:2 | 237-30      | 2    | O-Ring                   | 28   | 125-4059    | 1    | Hydraulic Tube ASM    |
| 14   | 340-4       | 1    | Fitting-Straight         | 28:1 | 237-22      | 1    | O-Ring                |
| 14:1 | 237-30      | 1    | O-Ring                   | 29   | 114-7702    | 1    | Hose-HYD              |



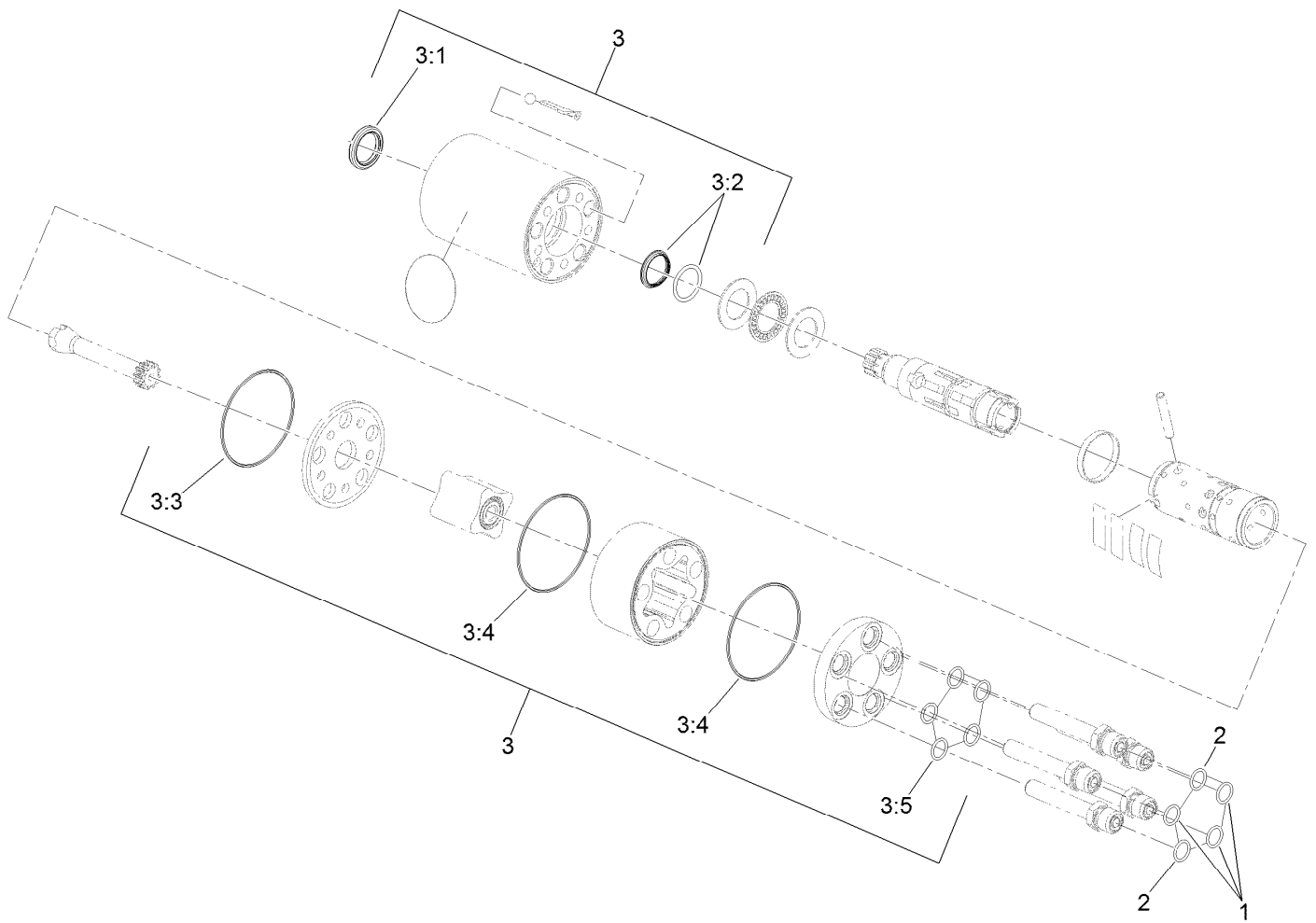
## Hydraulic Steering Assembly (continued)

| <i>Ref.</i> | <i>Part Number</i> | <i>Qty.</i> | <i>Description</i> | <i>Ref.</i> | <i>Part Number</i> | <i>Qty.</i> | <i>Description</i>         |
|-------------|--------------------|-------------|--------------------|-------------|--------------------|-------------|----------------------------|
| 30          | 3234-4             | 2           | Screw-HHF          | 38          | 120-2061           | 1           | Hose-HYD                   |
| 31          | 3230-3             | 2           | Screw-CARR         | 39          | 104-3779           | 1           | Connector-Swivel, Straight |
| 32          | 87-3990            | 1           | Strainer-Transaxle | 39:1        | 237-42             | 1           | O-Ring                     |
| 32:1        | 237-101            | 1           | O-Ring             | 40          | 106-6713           | 1           | Cover-Lines, Steering      |
| 33          | 119-1418           | 2           | Plate-Clamp, Short | 41          | 3290-379           | 4           | Tie-Cable                  |
| 34          | 115-1794           | 1           | Screw-HHF          | 42          | 110-9380           | 1           | Screw-HWH                  |
| 35          | 94-2413            | 1           | Nut-U              | 43          | 2412-81            | 1           | Clamp-R                    |
| 36          | 94-5961            | 1           | Hose               | 44          | 136-2313-03        | 1           | Mount-Filter               |
| 37          | 127-3965           | 1           | Solenoid Valve ASM | 45          | 3234-29            | 2           | Screw-HHF                  |



## Hydraulic Pump Assembly No. 121-6545

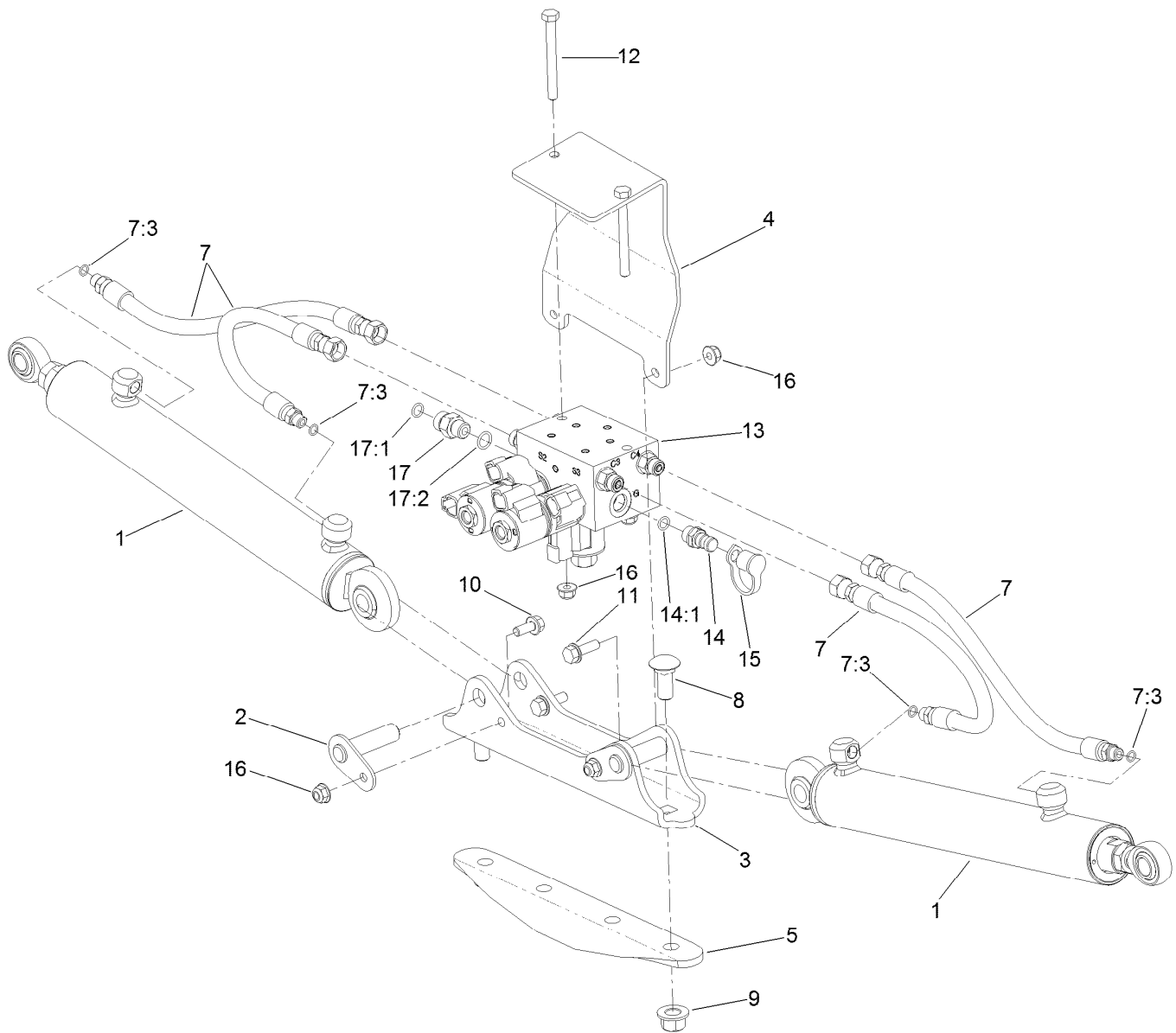
| <i>Ref.</i> | <i>Part Number</i> | <i>Qty.</i> | <i>Description</i> |
|-------------|--------------------|-------------|--------------------|
| 1           | 125-8147           | 1           | Key, Square        |
| 2           | 125-8148           | 1           | Seal Kit           |



## Steering Valve Assembly No. 138-6100

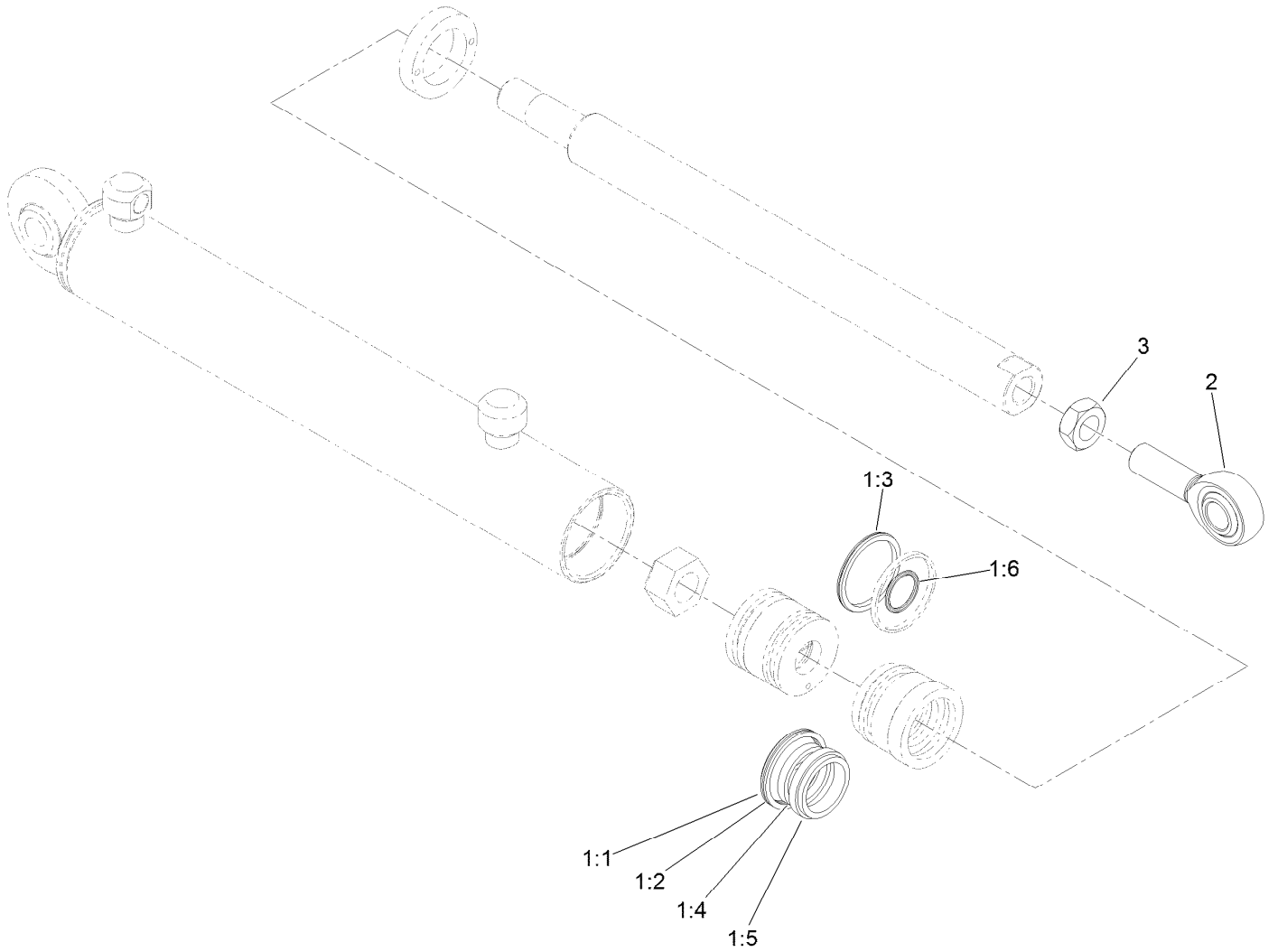
| Ref. | Part Number | Qty. | Description       |
|------|-------------|------|-------------------|
| 1    | 237-21      | 3    | O-Ring            |
| 2    | 237-22      | 2    | O-Ring            |
| 3    | 106-6716    | 1    | Seal Kit          |
| 3:1  |             | 1    | Ring-Seal, Dust ● |
| 3:2  |             | 1    | Seal-Shaft ●      |
| 3:3  |             | 1    | O-Ring ●          |
| 3:4  |             | 2    | O-Ring ●          |
| 3:5  |             | 5    | O-Ring ●          |

● Not serviced separately



## Boom Lift Hydraulic Assembly

| Ref. | Part Number | Qty. | Description            | Ref. | Part Number | Qty. | Description                |
|------|-------------|------|------------------------|------|-------------|------|----------------------------|
| 1    | 117-0701    | 2    | Hydraulic Cylinder ASM | 11   | 3234-29     | 2    | Screw-HHF                  |
| 2    | 112-7884    | 2    | Pin-Pivot              | 12   | 322-14      | 2    | Screw-HH                   |
| 3    | 119-4856-03 | 1    | Plate-Mount, Cylinders | 13   | 136-2400    | 1    | On-Off Boom Lift Valve ASM |
| 4    | 130-8201-03 | 1    | Mount-Valve            | 14   | 59-7410     | 1    | Fitting-Diagnostic         |
| 5    | 131-0297-03 | 1    | Plate-Stiffener, Boom  | 14:1 | 237-42      | 1    | O-Ring                     |
| 7    | 119-4859    | 4    | Hose ASM               | 15   | 354-79      | 1    | Cap-Dust                   |
| 7:3  | 237-78      | 1    | O-Ring                 | 16   | 104-8300    | 6    | Nut-HF, NI                 |
| 8    | 110-5067    | 2    | Screw-CARR             | 17   | 340-2       | 2    | Fitting-Straight           |
| 9    | 99-5107     | 2    | Nut-Lock               | 17:1 | 237-22      | 1    | O-Ring                     |
| 10   | 110-5053    | 2    | Screw-HHF              | 17:2 | 237-42      | 1    | O-Ring                     |



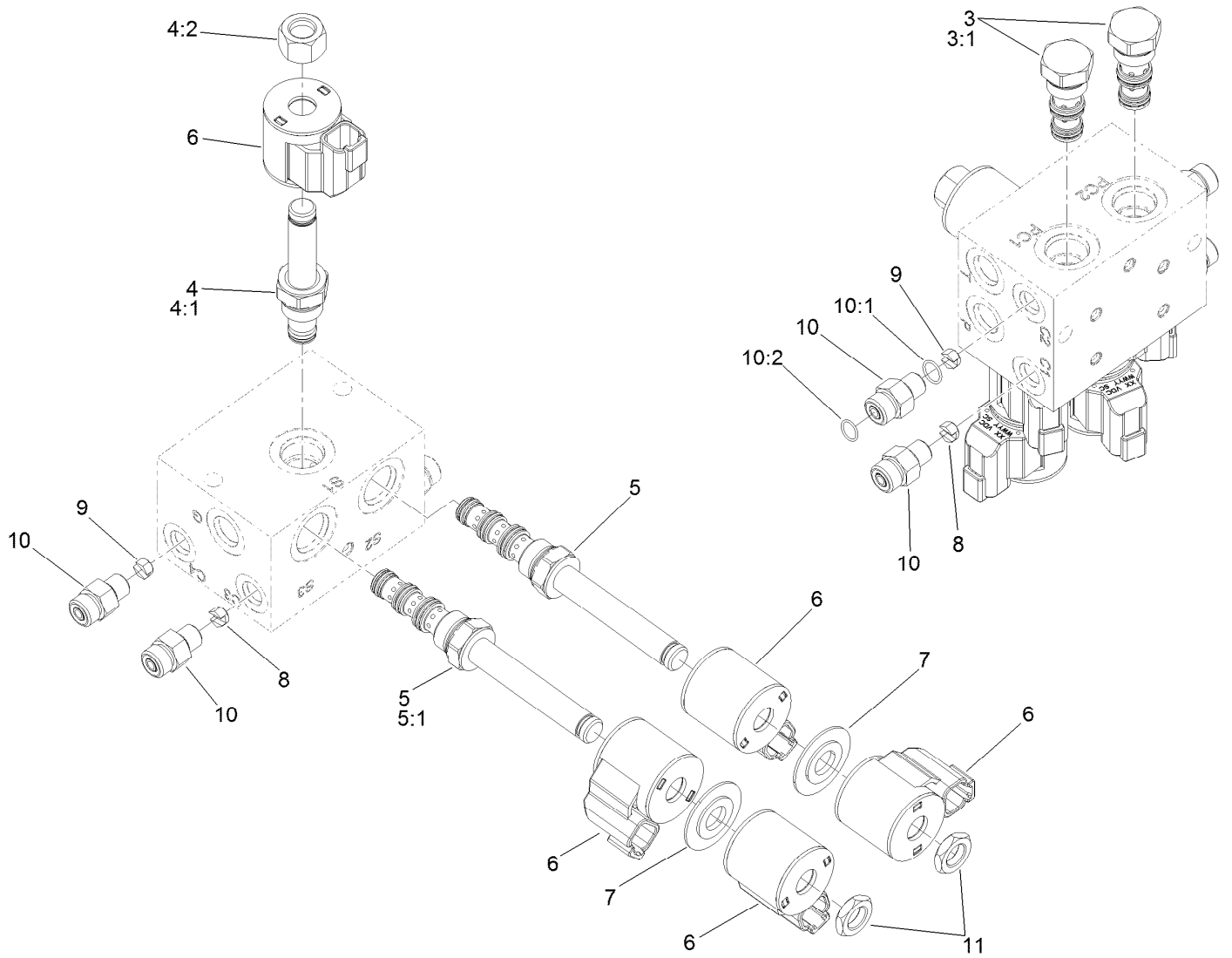
## Hydraulic Cylinder Assembly No. 117-0701

| Ref. | Part Number | Qty. | Description   |
|------|-------------|------|---------------|
| 1    | 119-8026    | 1    | Seal Kit ●    |
| 1:1  |             | 1    | O-Ring ■      |
| 1:2  |             | 1    | Ring-Backup ■ |
| 1:3  |             | 1    | Bp Seal ■     |
| 1:4  |             | 1    | Bs Seal ■     |
| 1:5  |             | 1    | Dust Seal ■   |
| 1:6  |             | 1    | O-Ring ■      |
| 2    | 119-8027    | 1    | Rod End       |
| 3    | 3220-6      | 1    | Nut-Jam       |

● Not illustrated

■ Not serviced separately

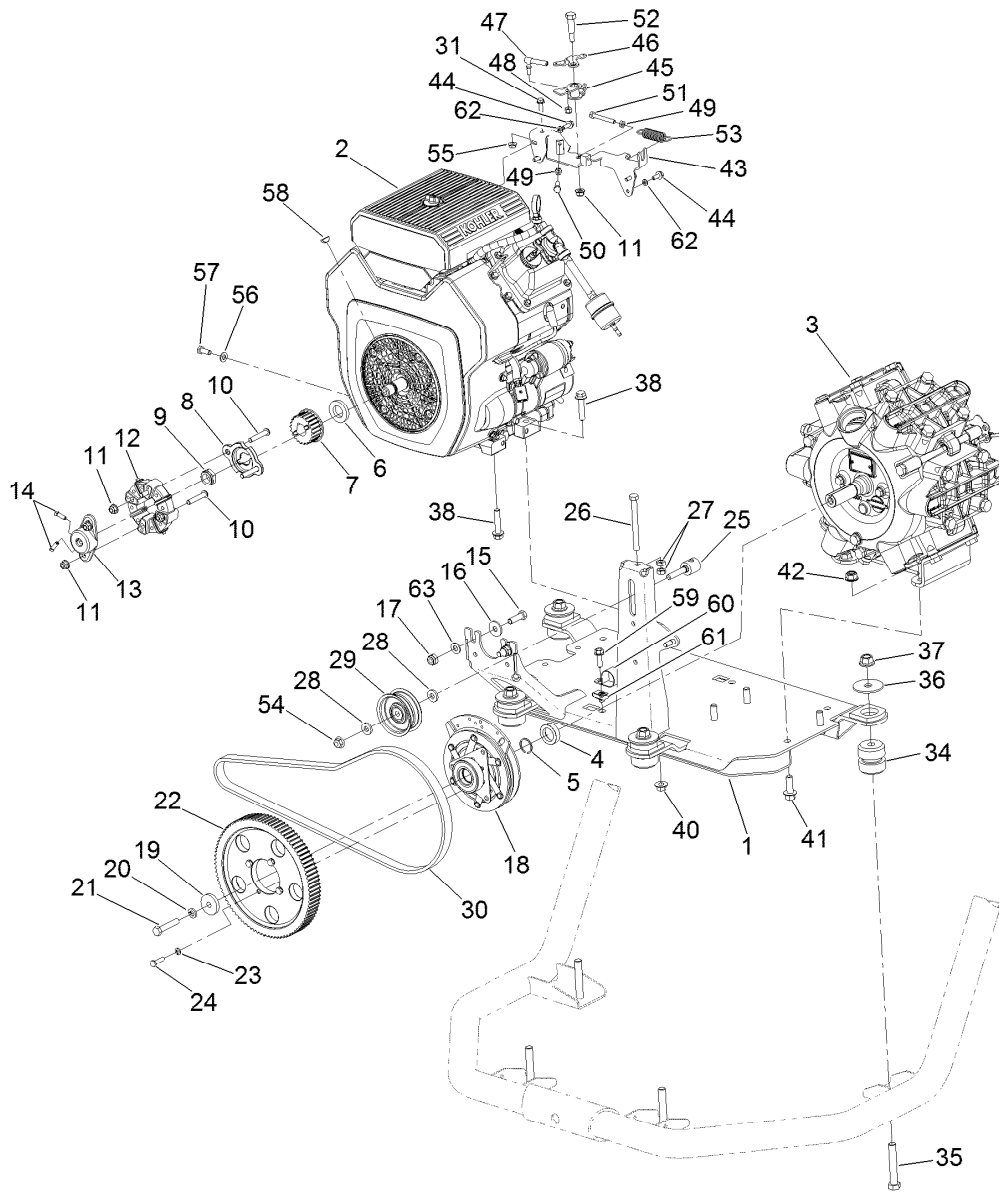




## On-Off Boom Lift Valve Assembly No. 136-2400

| Ref. | Part Number | Qty. | Description                   |
|------|-------------|------|-------------------------------|
| 3    | 136-2430    | 2    | Valve-Check, Po               |
| 3:1  | 120-0886    | 1    | Seal Kit                      |
| 4    | 107-7517    | 1    | Valve-Solenoid                |
| 4:1  | 105-9156    | 1    | Seal Kit                      |
| 4:2  | 107-7812    | 1    | Nut-Solenoid                  |
| 5    | 120-2587    | 2    | Valve-Solenoid                |
| 5:1  | 112-6520    | 1    | Seal Kit ●                    |
| 6    | 119-8036    | 5    | Coil                          |
| 7    | 120-2586    | 2    | Spacer-Coil                   |
| 8    | 110-8903    | 2    | Orifice-Control, Flow (0.055) |
| 9    | 125-8849    | 2    | Orifice-Flow Control          |
| 10   | 340-92      | 4    | Fitting-Straight              |
| 10:1 | 237-78      | 1    | O-Ring                        |
| 10:2 | 237-21      | 1    | O-Ring                        |
| 11   | 110-2634    | 2    | Nut-Coil                      |

● Not illustrated

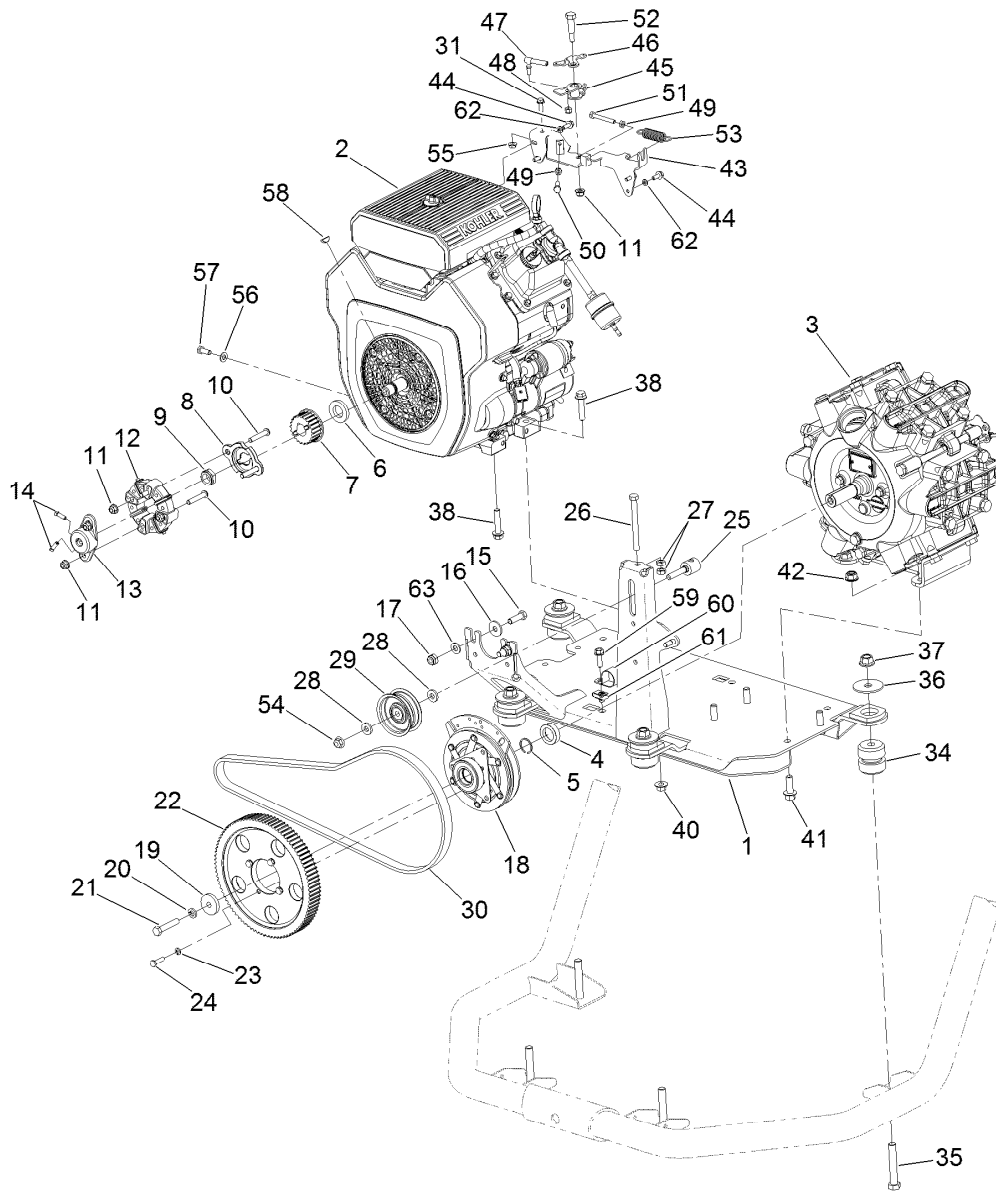


## Engine and Pump Mounting Assembly

| Ref. | Part Number | Qty. | Description                       | Ref. | Part Number | Qty. | Description       |
|------|-------------|------|-----------------------------------|------|-------------|------|-------------------|
| 1    | 121-6511-03 | 1    | Mount-Engine                      | 18   | 120-7625    | 1    | Clutch-Electric   |
| 2    |             | 1    | Engine-Kohler,<br>Psch740-3357 ●■ | 19   | 125-0604    | 1    | Spacer-Clutch     |
| 3    | 145-3381    | 1    | Pump ASM                          | 20   | 3253-5      | 1    | Washer-Lock       |
| 4    | 108-3301    | 1    | Retainer-Spacer                   | 21   | 3211-46     | 1    | Screw-HH          |
| 5    | 108-3302    | 1    | Ring-Snap                         | 22   | 125-7982    | 1    | Sprocket-90 Tooth |
| 6    | 104-1105    | 1    | Spacer-Support, Deck              | 23   | 3253-3      | 4    | Washer-Lock       |
| 7    | 125-8017    | 1    | Sprocket-22 Tooth                 | 24   | 321-6       | 4    | Screw-HH          |
| 8    | 125-4092    | 1    | Adaptor-Sprocket, Flanged         | 25   | 125-0605    | 1    | Shaft-Idler       |
| 9    | 3296-15     | 1    | Nut-Lock, NI                      | 26   | 107-4026    | 1    | Screw-HH          |
| 10   | 125-7977    | 4    | Screw-HSBH                        | 27   | 3217-7      | 2    | Nut-Hex           |
| 11   | 104-8300    | 5    | Nut-HF, NI                        | 28   | 43-0940     | 2    | Spacer            |
| 12   | 119-0652    | 1    | Coupler-Rubber                    | 29   | 1-633167    | 1    | Sheave-Idler      |
| 13   | 115-2169    | 1    | Hub-Pump                          | 30   | 125-0765    | 1    | Belt-Synchronous  |
| 14   | 3241-6      | 2    | Screw-SQH                         | 31   | 115-5103    | 1    | Screw-HHF         |
| 15   | 323-7       | 2    | Screw-HH                          | 34   | 106-7865    | 4    | Mount-Engine      |
| 16   | 52-2861     | 2    | Washer                            | 35   | 325-12      | 4    | Screw-HH          |
| 17   | 3296-44     | 2    | Nut-Lock, NI                      | 36   | 41985       | 4    | Washer-Special    |
|      |             |      |                                   | 37   | 99-5107     | 4    | Nut-Lock          |

● Not serviced separately

■ Obtain parts from [www.kohlerplus.com](http://www.kohlerplus.com)

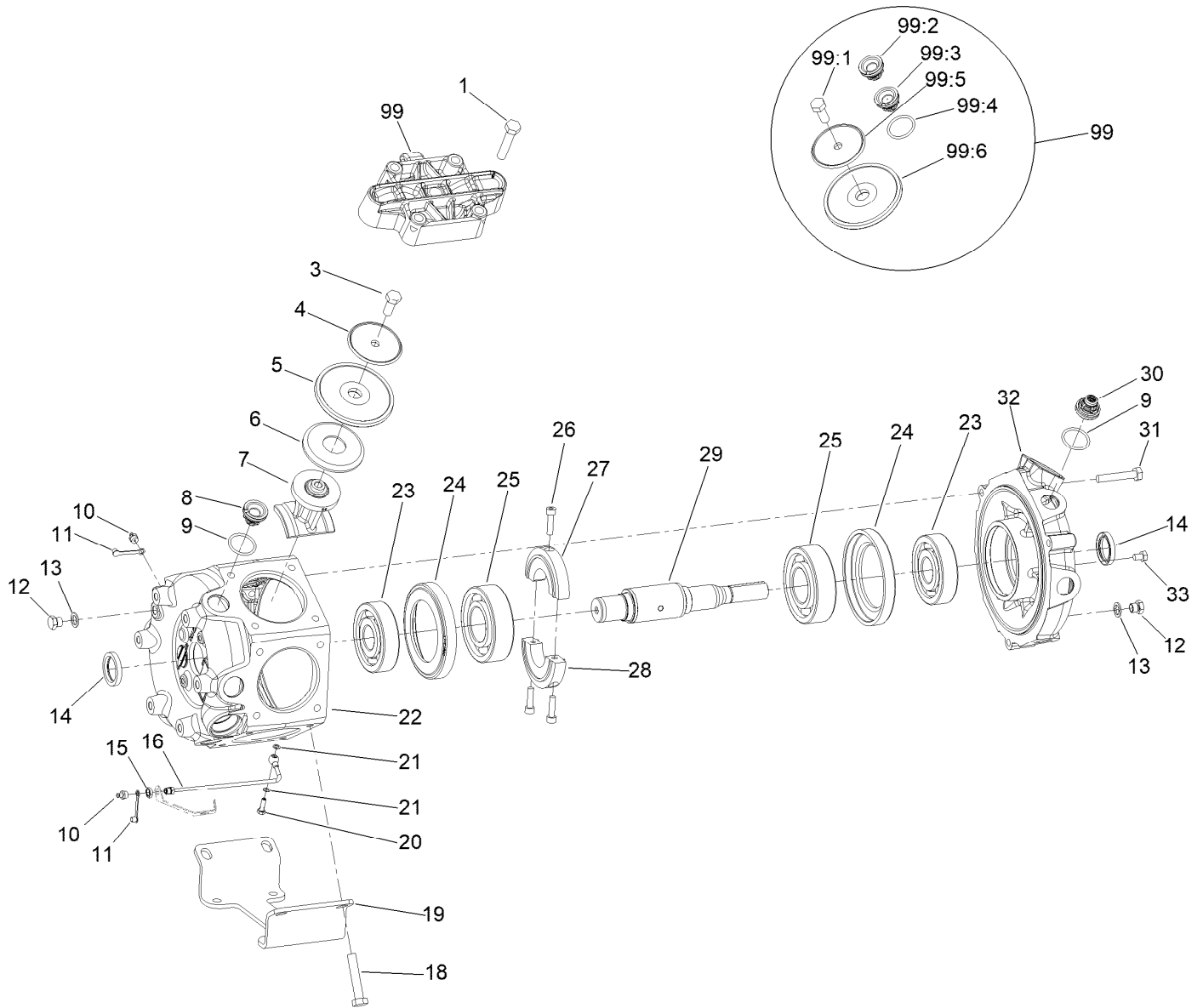


## Engine and Pump Mounting Assembly (continued)

| Ref. | Part Number | Qty. | Description      | Ref. | Part Number | Qty. | Description        |
|------|-------------|------|------------------|------|-------------|------|--------------------|
| 38   | 3234-19     | 4    | Screw-HHF        | 52   | 7-0030      | 1    | Screw-Shoulder, HH |
| 40   | 32128-43    | 4    | Nut-Flange       | 53   | 67-1450     | 1    | Spring-Idler       |
| 41   | 3234-15     | 4    | Screw-HHF        | 54   | 104-8301    | 1    | Nut-HF, NI         |
| 42   | 114-8417    | 4    | Nut-HF, NI       | 55   | 32128-33    | 1    | Nut-HF             |
| 43   | 87-7780     | 1    | Bracket-Throttle | 56   | 3256-23     | 1    | Washer-Plain       |
| 44   | 33103-016   | 4    | Screw-HHF        | 57   | 33114-020   | 1    | Screw-HH           |
| 45   | 87-7800     | 1    | Lever-Throttle   | 58   | 3257-5      | 1    | Key-Woodruff       |
| 46   | 87-7790     | 1    | Lever-Choke      | 59   | 3234-17     | 1    | Screw-HHF          |
| 47   | 18-1720     | 1    | Ball Joint       | 60   | 2412-126    | 1    | R-Clamp            |
| 48   | 3296-3      | 1    | Nut-Lock         | 61   | 115-7721    | 1    | Nut-Clip, U        |
| 49   | 3220-1      | 2    | Nut-Jam          | 62   | 48-8020     | 4    | Washer-Spring      |
| 50   | 329-6       | 1    | Screw-HH         | 63   | 3256-24     | 2    | Washer-Plain       |
| 51   | 108-3660    | 1    | Screw-TAP        |      |             |      |                    |

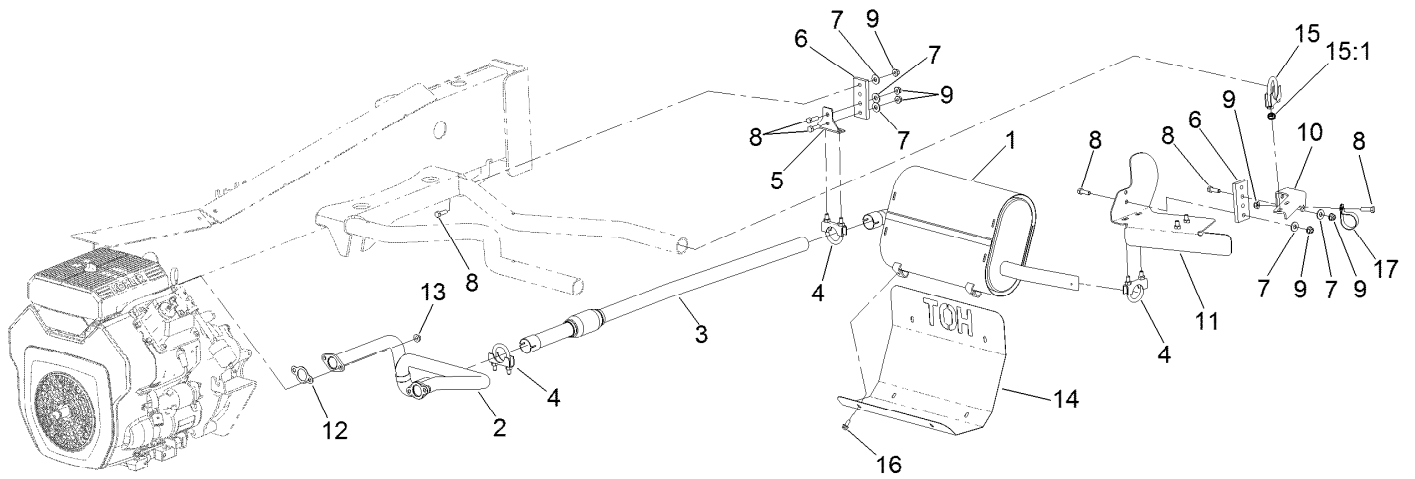
● Not serviced separately

■ Obtain parts from [www.kohlerplus.com](http://www.kohlerplus.com)



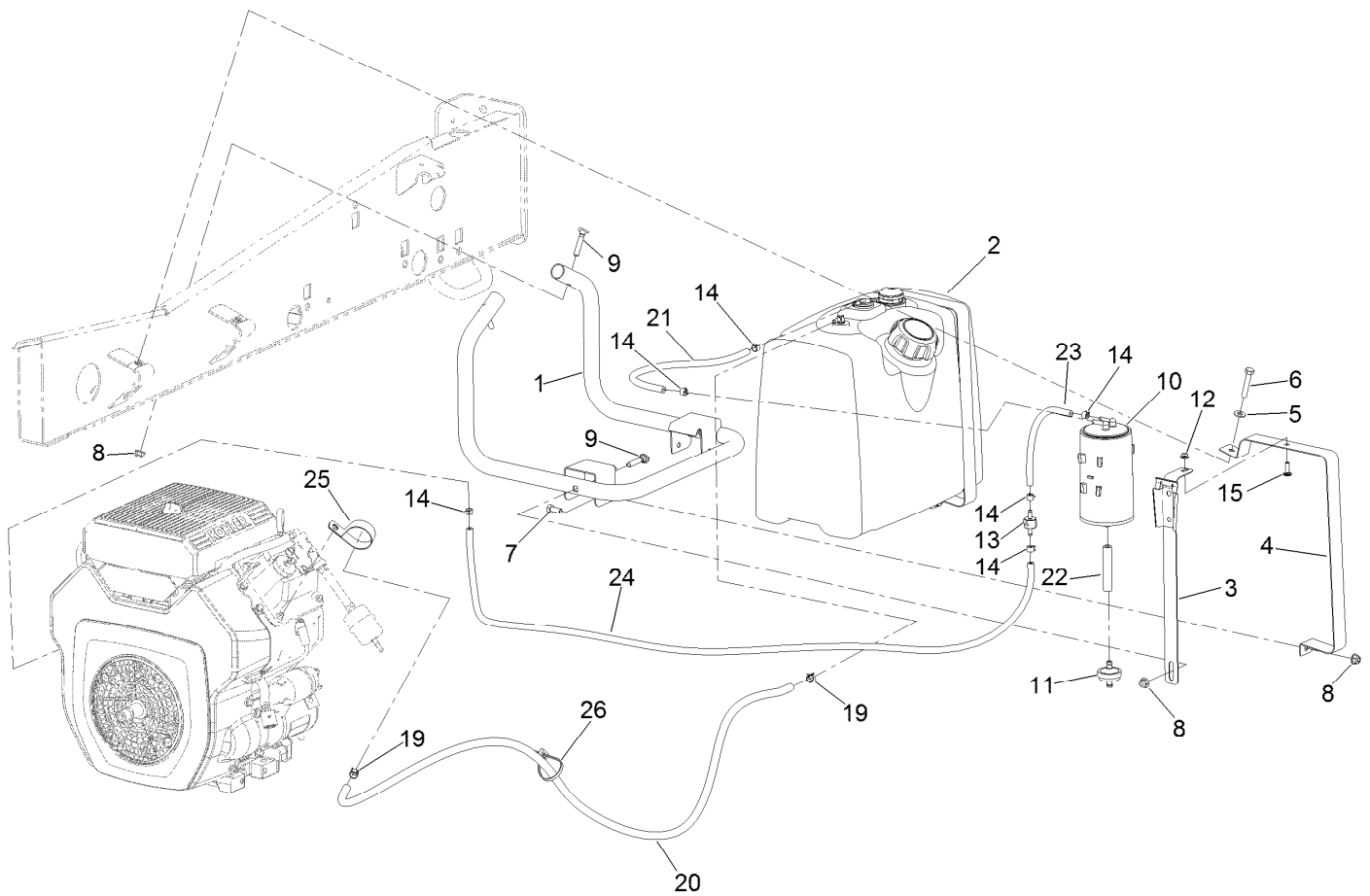
## Pump Assembly No. 145-3381

| Ref. | Part Number | Qty. | Description               | Ref. | Part Number | Qty. | Description         |
|------|-------------|------|---------------------------|------|-------------|------|---------------------|
| 1    | 120-0773    | 20   | Bolt-Hex                  | 23   | 120-0788    | 2    | Bearing-Ball        |
| 3    | 120-0777    | 6    | Bolt-Hex                  | 24   | 133-2820    | 2    | Spacer-Metal        |
| 4    | 120-0778    | 6    | Disc-Diaphragm            | 25   | 120-0791    | 2    | Bearing-Ball        |
| 5    | 120-0779    | 6    | Diaphragm                 | 26   | 125-8146    | 3    | Bolt-Allen          |
| 6    | 120-0780    | 6    | Disc-Backing, Diaphragm   | 27   | 133-2828    | 1    | Counter Weight      |
| 7    | 125-8141    | 6    | Rod-Connectiing           | 28   | 133-2829    | 1    | Counter Weight      |
| 8    | 99-0861     | 10   | Valve-Pump                | 29   | 133-2826    | 1    | Shaft - Crank       |
| 9    | 100-6651    | 12   | O-Ring                    | 30   | 120-0793    | 2    | Valve W/Hole        |
| 10   | 133-2879    | 2    | Nipple-Grease             | 31   | 120-0794    | 3    | Bolt-Hex            |
| 11   | 133-2880    | 2    | Cap-Grease Nipple, Yellow | 32   | 133-2822    | 1    | Housing-Pump, Front |
| 12   | 120-0785    | 2    | Plug                      | 33   | 120-0784    | 4    | Bolt-Hex            |
| 13   | 120-0786    | 2    | Seal                      | 99   | 120-0796    | 1    | Pump Kit            |
| 14   | 120-0783    | 2    | Seal-Oil                  | 99:1 | 120-0777    | 6    | Bolt-Hex            |
| 15   | 133-2878    | 1    | Nut                       | 99:2 | 99-0861     | 10   | Valve-Pump          |
| 16   | 133-2877    | 1    | Tube-Banjo, Long          | 99:3 | 120-0793    | 2    | Valve W/Hole        |
| 18   | 120-0774    | 4    | Bolt-Hex                  | 99:4 | 100-6651    | 12   | O-Ring              |
| 19   | 120-0787    | 1    | Foot-Pump                 | 99:5 | 120-0778    | 6    | Disc-Diaphragm      |
| 20   | 133-2830    | 1    | Bolt-Banjo                | 99:6 | 120-0779    | 6    | Diaphragm           |
| 21   | 136-2251    | 2    | Gasket                    | 99   | 145-3399    | 1    | Pump Head Kit       |
| 22   | 133-2821    | 1    | Housing-Pump, Main        |      |             |      |                     |



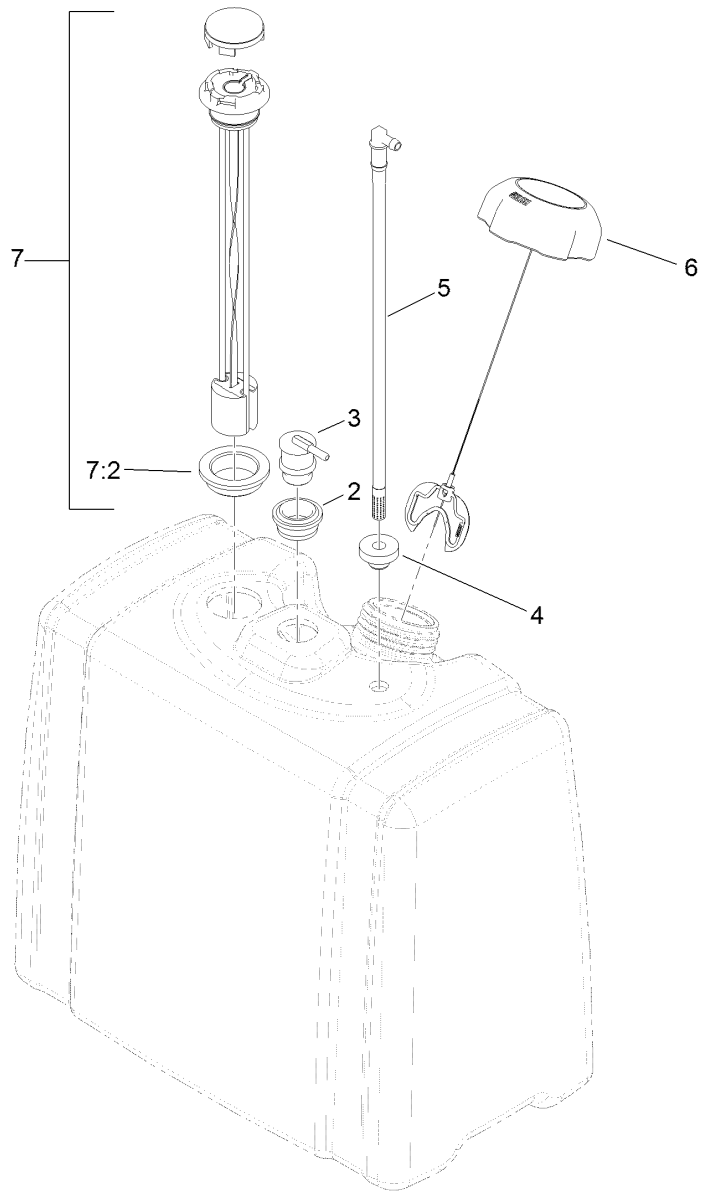
## Exhaust Assembly

| <i>Ref.</i> | <i>Part Number</i> | <i>Qty.</i> | <i>Description</i>       | <i>Ref.</i> | <i>Part Number</i> | <i>Qty.</i> | <i>Description</i>   |
|-------------|--------------------|-------------|--------------------------|-------------|--------------------|-------------|----------------------|
| 1           | 127-9736           | 1           | Muffler-Venturi          | 10          | 131-3286           | 1           | Mount-Muffler        |
| 2           | 127-9734           | 1           | Manifold-Exhaust         | 11          | 130-7143           | 1           | Shield-Muffler       |
| 3           | 127-9735           | 1           | Pipe-Exhaust             | 12          | 110-6697           | 2           | Gasket-Exhaust       |
| 4           | 2112-11            | 4           | Clamp-Muffler            | 13          | 92-6780            | 4           | Nut-HF               |
| 5           | 130-7101           | 1           | Bracket-Hanger, Tailpipe | 14          | 127-9787           | 1           | Shield-Heat, Muffler |
| 6           | 117-0744           | 2           | Hanger-Muffler           | 15          | 2112-9             | 1           | Clamp                |
| 7           | 3256-3             | 7           | Washer-Flat              | 15:1        | 32128-20           | 2           | Nut-HF               |
| 8           | 322-5              | 8           | Screw-HH                 | 16          | 3234-13            | 6           | Screw-HHF            |
| 9           | 104-8300           | 8           | Nut-HF, NI               | 17          | 2412-74            | 1           | R-Clamp              |



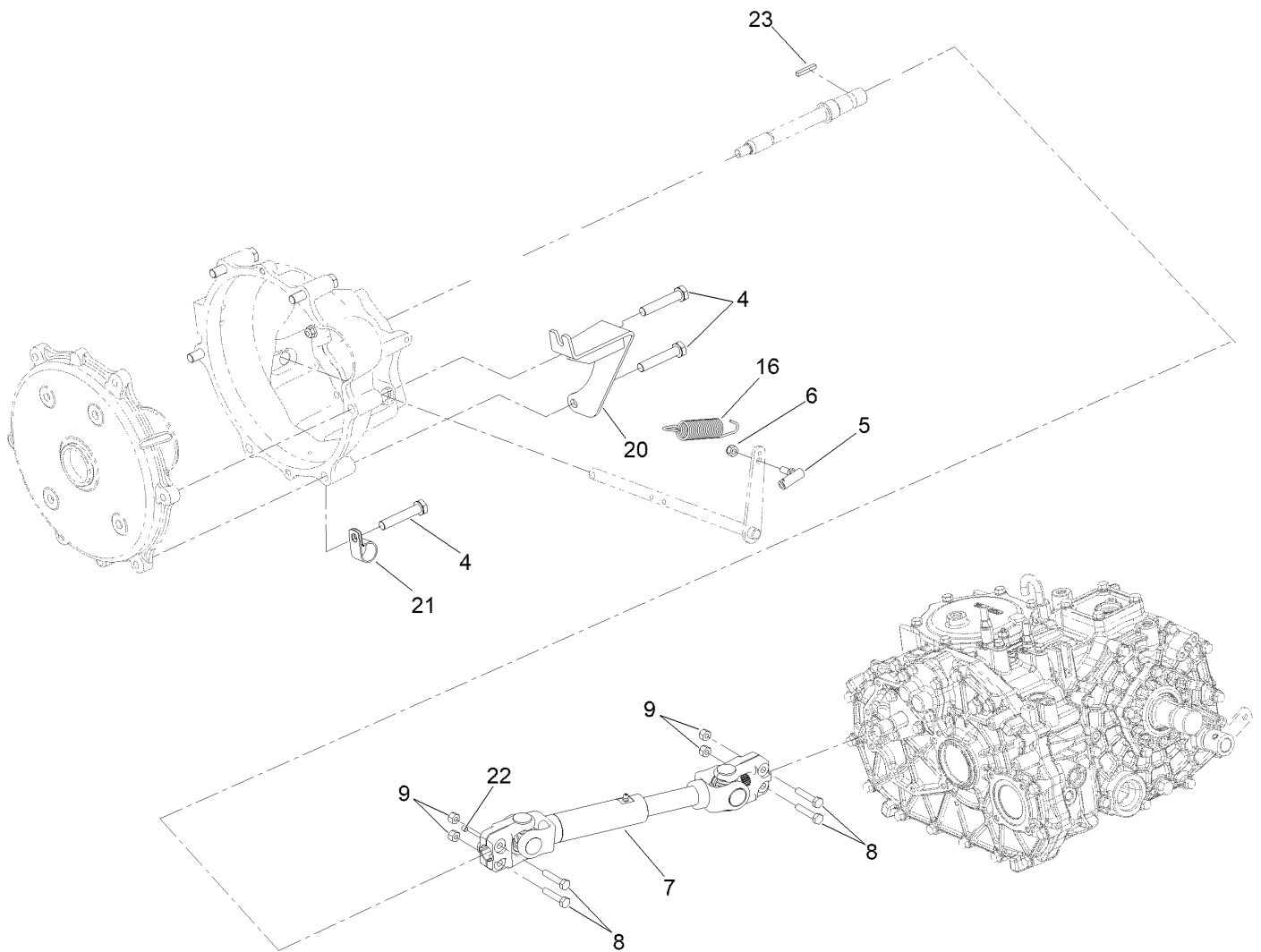
## Fuel Tank, Filter and Line Assembly

| <i>Ref.</i> | <i>Part Number</i> | <i>Qty.</i> | <i>Description</i>      | <i>Ref.</i> | <i>Part Number</i> | <i>Qty.</i> | <i>Description</i>  |
|-------------|--------------------|-------------|-------------------------|-------------|--------------------|-------------|---------------------|
| 1           | 125-0850-03        | 1           | Tube-Mount, Fuel Tank   | 13          | 133-8499           | 1           | Valve-Check, Vacuum |
| 2           | 115-9048           | 1           | Fuel Tank ASM           | 14          | 2412-80            | 6           | Clamp-Hose          |
| 3           | 125-8129-03        | 1           | Strap-Cannister, Carbon | 15          | 1-807512           | 1           | Bolt-CARR           |
| 4           | 125-0853           | 2           | Strap-Fuel Tank         | 19          | 2412-98            | 2           | Clamp-Hose          |
| 5           | 33094-00           | 2           | Washer-Plain            | 20          | 110-3372           | 1           | Hose-Fuel           |
| 6           | 322-41             | 2           | Bolt-Hex,TAP            | 21          | 112-7048           | 1           | Hose-Fuel           |
| 7           | 322-3              | 2           | Screw-HH                | 22          | 110-0047           | 1           | Hose-Fuel           |
| 8           | 104-8300           | 5           | Nut-HF, NI              | 23          | 115-7871           | 1           | Hose-Fuel           |
| 9           | 17-9420            | 3           | Screw-Handle            | 24          | 119-6073           | 1           | Hose-Fuel           |
| 10          | 127-8685           | 1           | Canister-Carbon         | 25          | 2412-147           | 1           | Clamp-R             |
| 11          | 115-7854           | 1           | Filter-Fuel, Inline     | 26          | 3290-378           | 1           | Tie-Cable           |
| 12          | 104-7201           | 1           | Nut-HF, NI              |             |                    |             |                     |



## Fuel Tank Assembly No. 115-9048

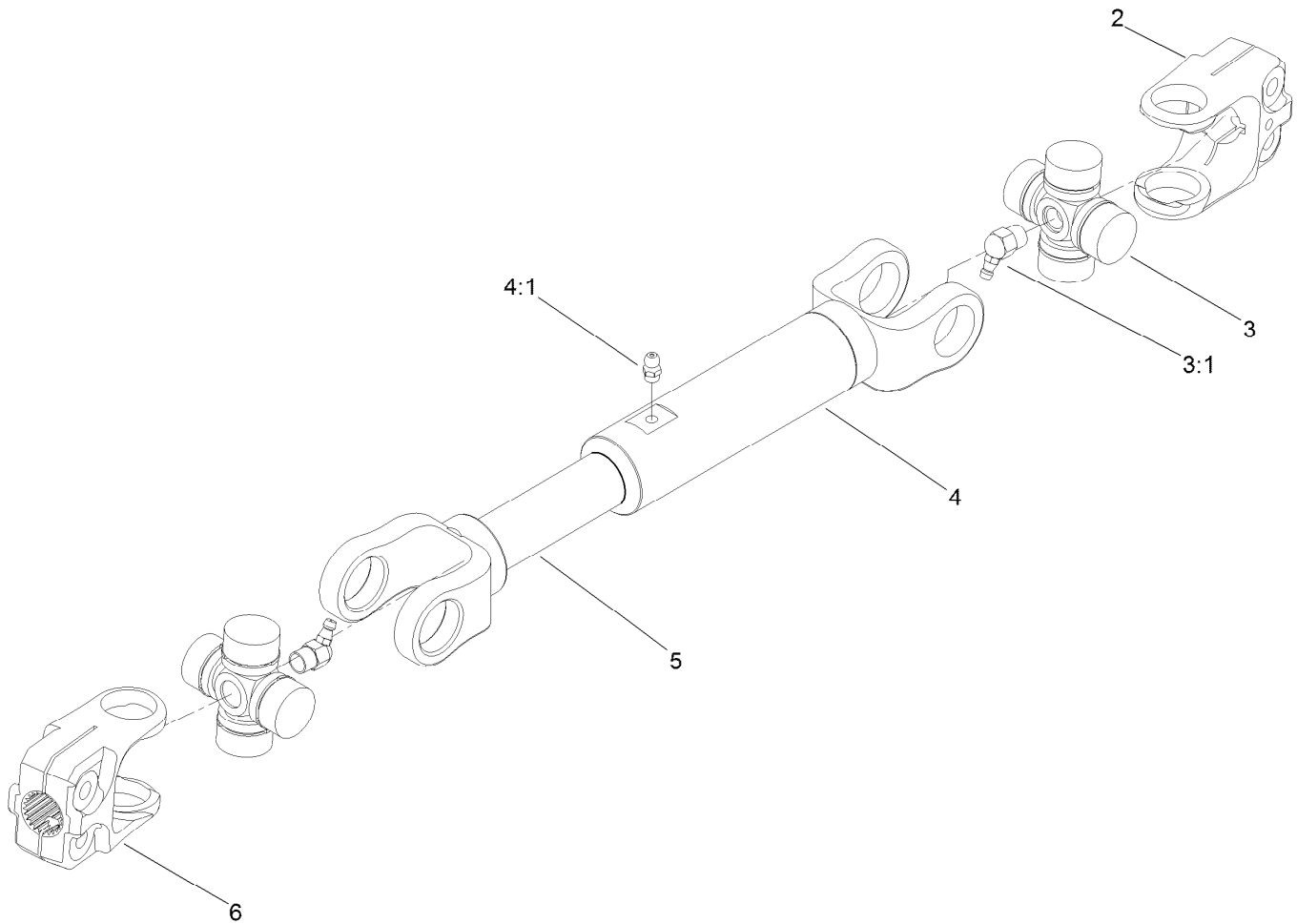
| <i>Ref.</i> | <i>Part Number</i> | <i>Qty.</i> | <i>Description</i> |
|-------------|--------------------|-------------|--------------------|
| 2           | 114-0284           | 1           | Grommet            |
| 3           | 114-0285           | 1           | Valve-Rollover     |
| 4           | 46-6560            | 1           | Bushing            |
| 5           | 115-9044           | 1           | Pipe-Stand         |
| 6           | 137-4127           | 1           | Cap-Fuel           |
| 7           | 119-0509           | 1           | Gauge ASM          |
| 7:2         | 119-0508           | 1           | Seal               |



## Driveshaft Connection Assembly

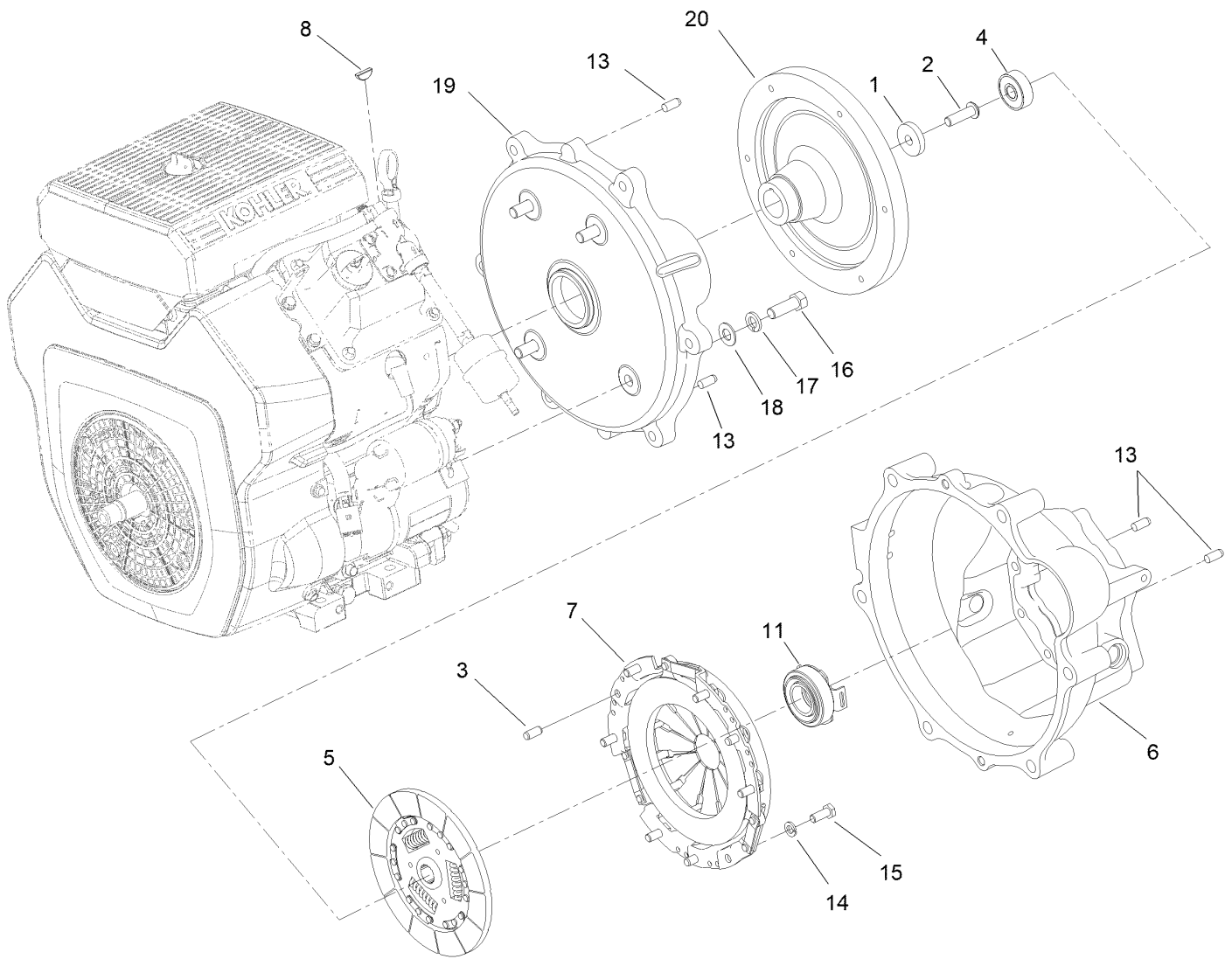
| <i>Ref.</i> | <i>Part Number</i> | <i>Qty.</i> | <i>Description</i>         |
|-------------|--------------------|-------------|----------------------------|
| 4           | 107-7983           | 6           | Screw-HH                   |
| 5           | 2411-33            | 1           | Balljoint-RH (W/Grommet)   |
| 6           | 3296-4             | 1           | Nut-Lock                   |
| 7           | 119-6040           | 1           | Driveshaft ASM             |
| 8           | 322-8              | 4           | Screw-HH                   |
| 9           | 3296-29            | 4           | Nut-Lock, NI               |
| 16          | 68-9950            | 1           | Spring-Traction            |
| 20          | 125-8063-0P        | 1           | Bracket ASM - Clutch Cable |
| 21          | 2412-82            | 1           | Clamp-R                    |
| 22          | 3245-32            | 1           | Screw-HSH                  |
| 23          | 92-0049            | 1           | Key-Square                 |





## Driveshaft Assembly No. 119-6040

| <i>Ref.</i> | <i>Part Number</i> | <i>Qty.</i> | <i>Description</i> |
|-------------|--------------------|-------------|--------------------|
| 2           | 100-8633           | 1           | Yoke-Keyed         |
| 3           | 54-9180            | 2           | U-Joint Kit        |
| 3:1         | 62-3820            | 1           | Fitting-Grease     |
| 4           | 110-4706           | 1           | Tube-Yoke, Slip    |
| 4:1         | 302-58             | 1           | Fitting-Straight   |
| 5           | 110-4705           | 1           | Shaft-Yoke, Slip   |
| 6           | 100-8632           | 1           | Yoke-Splined       |

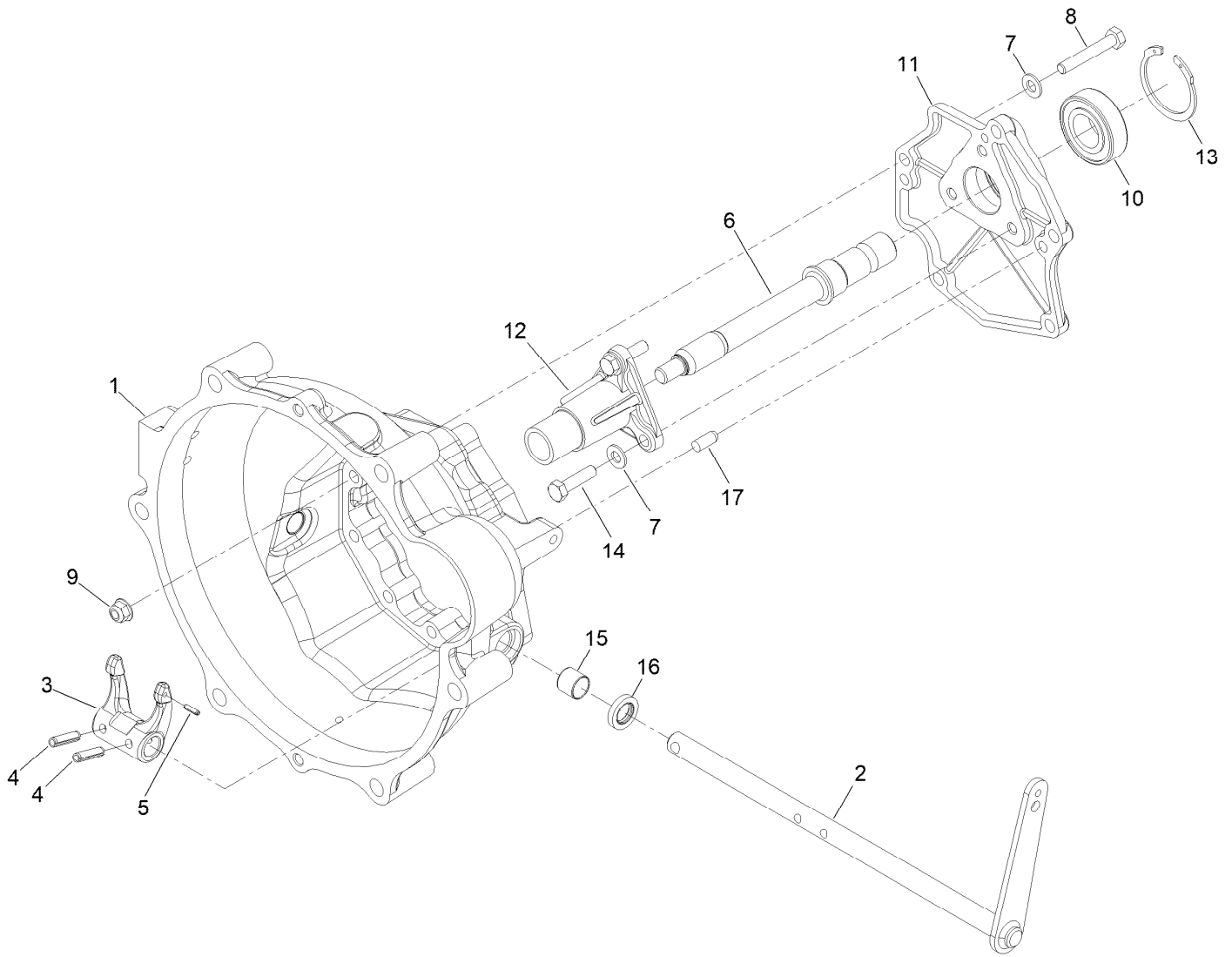


## Clutch and Bell Housing Assembly

| Ref. | Part Number | Qty. | Description             |
|------|-------------|------|-------------------------|
| 1    | 87-6080     | 1    | Washer                  |
| 2    | 3274-63     | 1    | Screw-HSBH              |
| 3    | 42-7160     | 3    | Pin                     |
| 4    | 87-6460     | 1    | Bearing-Ball (W/Seal)   |
| 5    | 98-2959     | 1    | Disc-Clutch             |
| 6    |             | 1    | Bell Housing ASM ●      |
| 7    | 98-2958     | 1    | Cover-Clutch            |
| 8    | 3257-5      | 1    | Key-Woodruff            |
| 11   | 110-2538    | 1    | Bearing-Release, Clutch |

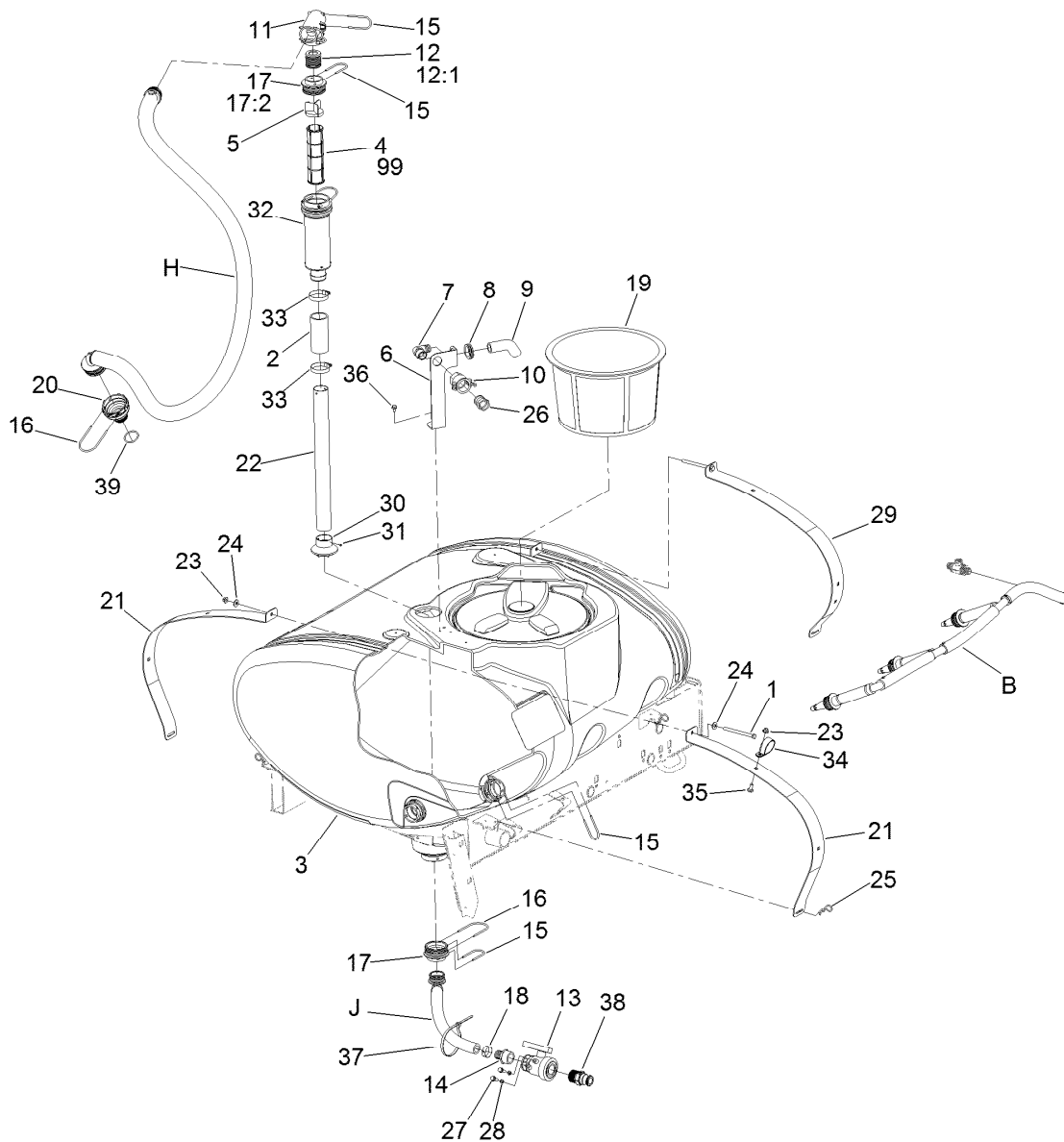
| Ref. | Part Number | Qty. | Description    |
|------|-------------|------|----------------|
| 13   | 87-1910     | 2    | Pin-Dowel      |
| 14   | 3253-4      | 6    | Washer-Lock    |
| 15   | 33114-020   | 6    | Screw-HH       |
| 16   | 324-5       | 4    | Screw-HH       |
| 17   | 3253-6      | 4    | Washer-Lock    |
| 18   | 3256-25     | 4    | Washer-Flat    |
| 19   | 107-7991    | 1    | Adapter-Clutch |
| 20   | 87-6480     | 1    | Flywheel       |

● Not serviced separately



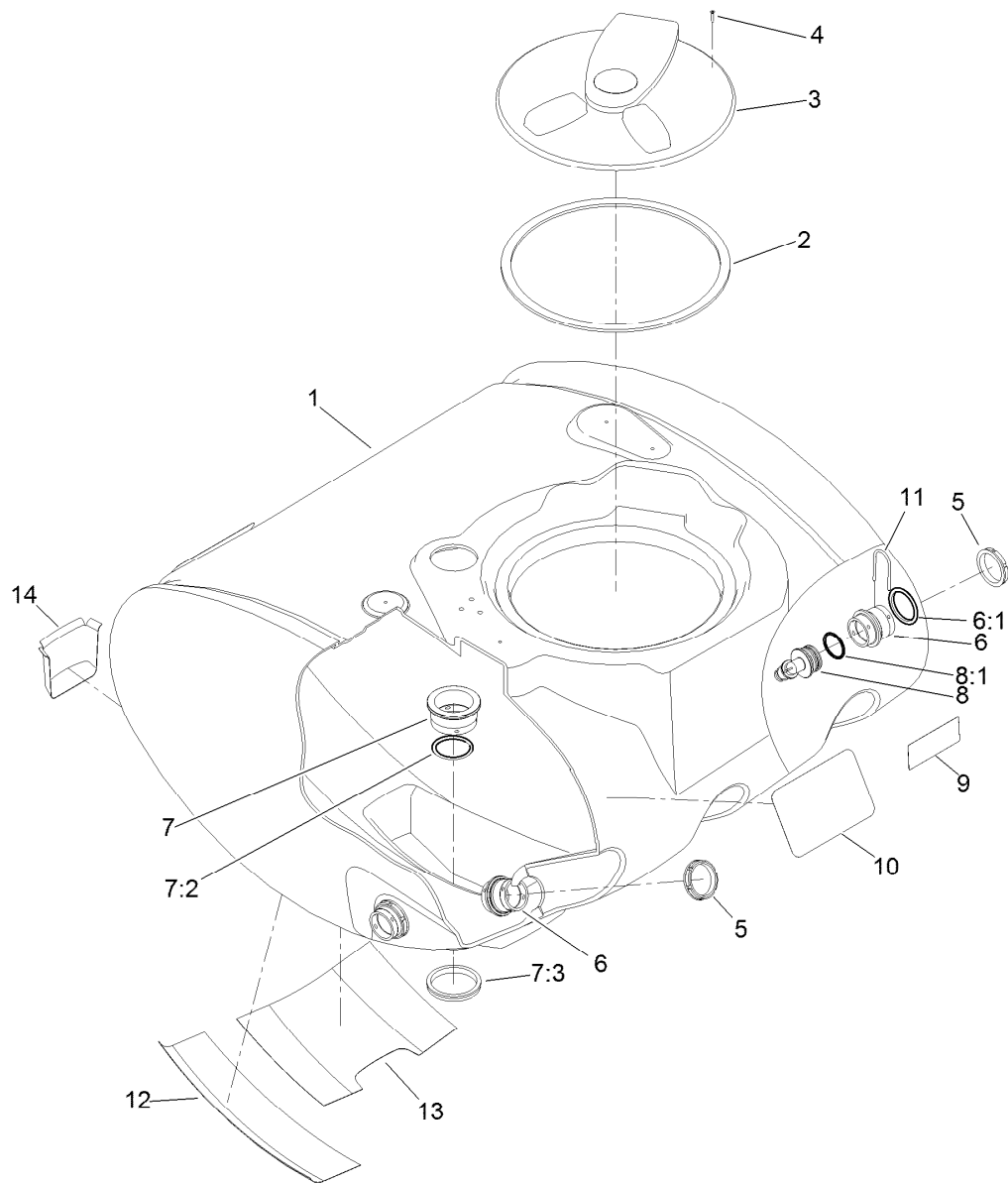
## Bell Housing Assembly

| <i>Ref.</i> | <i>Part Number</i> | <i>Qty.</i> | <i>Description</i>       | <i>Ref.</i> | <i>Part Number</i> | <i>Qty.</i> | <i>Description</i>       |
|-------------|--------------------|-------------|--------------------------|-------------|--------------------|-------------|--------------------------|
| 1           | 147-3165           | 1           | Housing-Bell             | 10          | 251-82             | 1           | Bearing-Ball             |
| 2           | 147-3166           | 1           | Clutch Release Lever ASM | 11          | 147-4702           | 1           | Support-Output Bearing   |
| 3           | 147-3169           | 1           | Fork-Clutch              | 12          | 147-4704           | 1           | Guide-Release            |
| 4           | 32121-24           | 2           | Pin-Spring               | 13          | 32151-71           | 1           | Ring-Retaining, Internal |
| 5           | 32121-7            | 1           | Pin-Roll, Slotted        | 14          | 322-6              | 3           | Screw-HH                 |
| 6           | 147-4700           | 1           | Shaft-Output             | 15          | 87-3770            | 2           | Bushing-Housing, Bell    |
| 7           | 3256-23            | 8           | Washer-Plain             | 16          | 87-1920            | 2           | Seal-Oil                 |
| 8           | 322-10             | 5           | Screw-HH                 | 17          | 87-1910            | 2           | Pin-Dowel                |
| 9           | 104-8300           | 5           | Nut-HF, NI               |             |                    |             |                          |



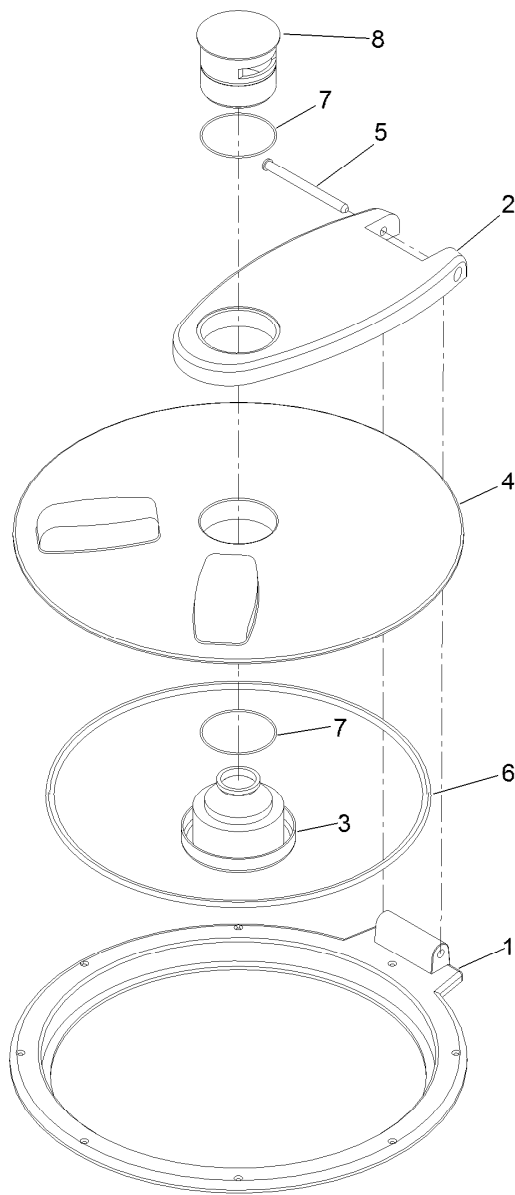
## Spray Tank Assembly

| Ref. | Part Number | Qty. | Description              | Ref. | Part Number | Qty. | Description            |
|------|-------------|------|--------------------------|------|-------------|------|------------------------|
| 1    | 323-59      | 2    | Bolt-Cap                 | 20   | 133-2883    | 1    | Fitting                |
| 2    | 100-8649    | 1    | Hose-Suction             | 21   | 121-6477-03 | 2    | Band-Tank              |
| 3    | 121-6491    | 1    | Tank ASM                 | 22   | 125-7997    | 1    | Tube-Suction           |
| 4    | 100-8642    | 1    | Screen-Suction           | 23   | 104-8301    | 3    | Nut-HF, NI             |
| 5    | 100-8641    | 1    | Vane-Screen              | 24   | 3256-4      | 4    | Washer-Flat            |
| 6    | 110-5082-03 | 1    | Bracket-Anti Siphon      | 25   | 3290-343    | 4    | Pin-Hair               |
| 7    | 41140       | 1    | Elbow                    | 26   | 41316       | 1    | Adapter-Quick          |
| 8    | 110-5090    | 1    | Grommet                  | 27   | 3234-29     | 2    | Screw-HHF              |
| 9    | 110-5088    | 1    | Hose-Fill                | 28   | 3296-47     | 2    | Nut-Lock,NI            |
| 10   | 100-6779    | 1    | Coupling-Female          | 29   | 125-0987-03 | 2    | Band-Tank, Rear        |
| 11   | 100-6704    | 1    | Tee                      | 30   | 100-6714    | 1    | Foot-Tube, Suction     |
| 12   | 106-4947    | 1    | Connector                | 31   | 108-3270    | 1    | Screw-TAP              |
| 12:1 | 100-8637    | 2    | O-Ring                   | 32   | 130-7096    | 1    | Filter ASM             |
| 13   | 108-0069    | 1    | Valve-Ball               | 33   | 2412-130    | 2    | Clamp-Hose             |
| 14   | 110-5224    | 1    | Fitting-Barbed, Straight | 34   | 114-9566    | 1    | Clamp-R                |
| 15   | 100-8635    | 8    | Fork                     | 35   | 3231-2      | 1    | Bolt-CARR              |
| 16   | 117-7996    | 2    | Fork                     | 36   | 3234-30     | 1    | Screw-HHF              |
| 17   | 117-7928    | 2    | Adapter ASM              | 37   | 1-809066    | 1    | Cable Tie-Plastic      |
| 17:2 | 100-6989    | 1    | O-Ring                   | 38   | 132-7787    | 1    | Coupler-Quick          |
| 18   | 2412-34     | 1    | Clamp-Hose               | 39   | 133-2884    | 1    | O-Ring                 |
| 19   | 119-9419    | 1    | Basket-Filter            | 99   | 133-0385    | 2    | Screen-Teejet, 50 Mesh |



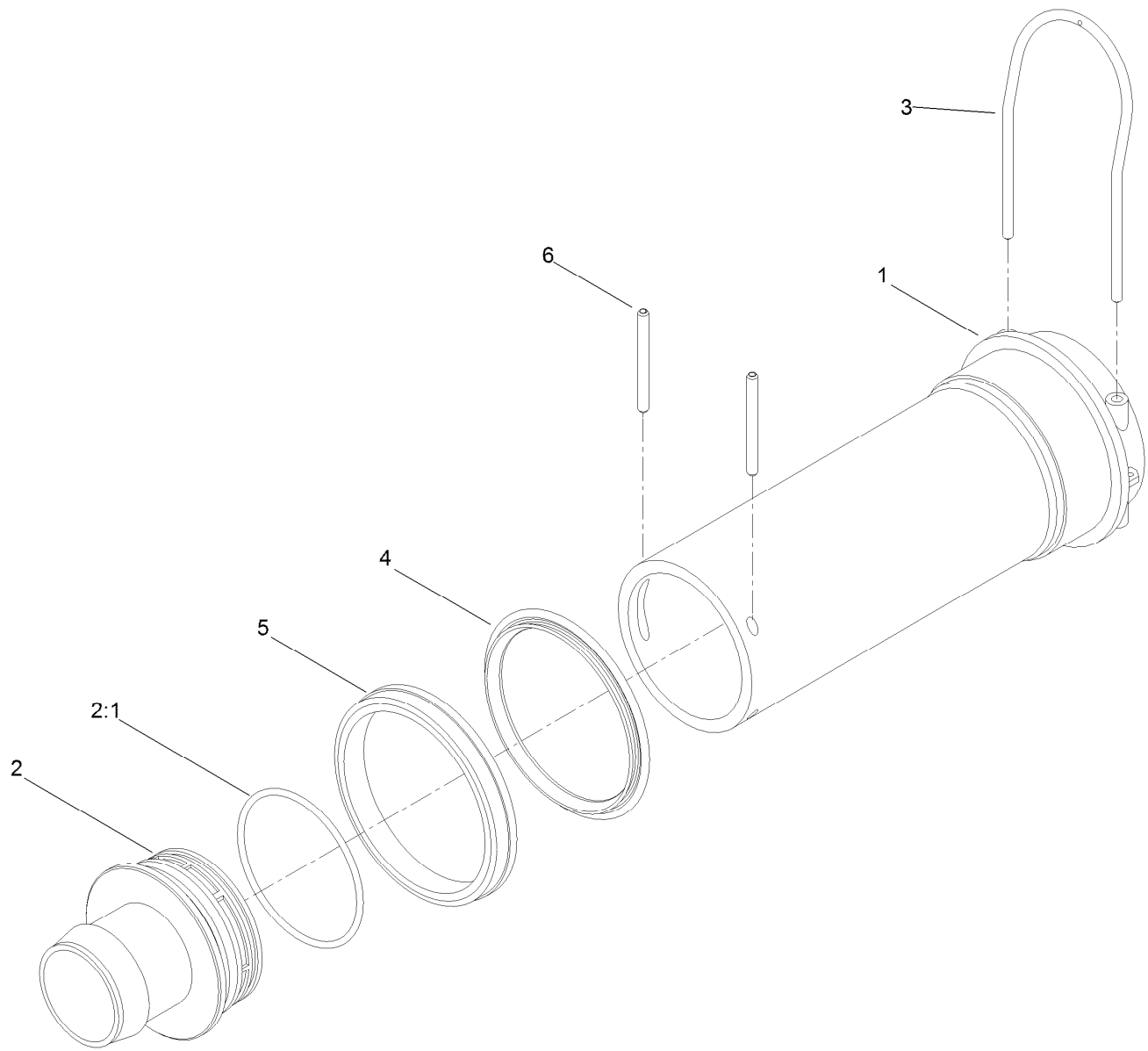
## Tank Assembly No. 121-6491

| <i>Ref.</i> | <i>Part Number</i> | <i>Qty.</i> | <i>Description</i>     | <i>Ref.</i> | <i>Part Number</i> | <i>Qty.</i> | <i>Description</i>      |
|-------------|--------------------|-------------|------------------------|-------------|--------------------|-------------|-------------------------|
| 1           | 121-6490           | 1           | Tank-175 Gallon        | 7:3         | 100-8647           | 1           | Nut-Bulkhead            |
| 2           | 119-9378           | 1           | Gasket-Lid, Tank       | 8           | 106-4933           | 2           | Hosebarb ASM            |
| 3           | 138-6283           | 1           | Lid ASM - Sprayer Tank | 8:1         | 100-8637           | 1           | O-Ring                  |
| 4           | 107-8635           | 8           | Screw-PFH              | 9           | 120-0622           | 1           | Decal-Warning           |
| 5           | 100-7051           | 4           | Nut-Bulkhead           | 10          | 121-6486           | 2           | Decal-Tank              |
| 6           | 108-3358           | 5           | Fitting-Bulkhead       | 11          | 100-8635           | 2           | Fork                    |
| 6:1         | 107-2864           | 1           | Gasket-Bulkhead        | 12          | 125-7967           | 1           | Heat Tape-Shield, Front |
| 7           | 117-7851           | 1           | Bulkhead ASM           | 13          | 125-7968           | 1           | Heat Tape-Shield, Side  |
| 7:2         | 100-8646           | 1           | Gasket-Bulkhead        | 14          | 125-7969           | 1           | Heat Tape-Shield, Sump  |



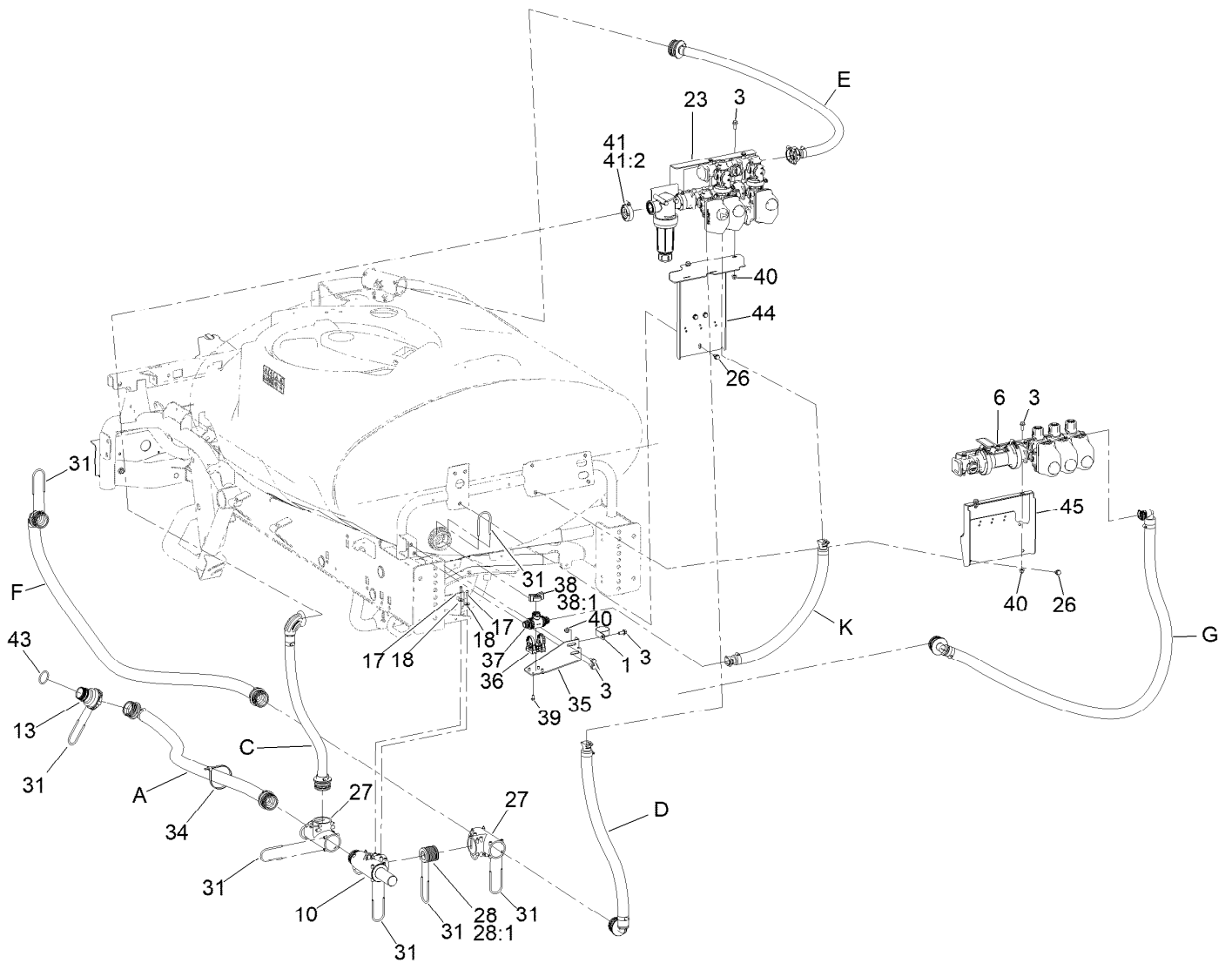
## Spray Tank Lid Assembly No. 138-6283

| <i>Ref.</i> | <i>Part Number</i> | <i>Qty.</i> | <i>Description</i> |
|-------------|--------------------|-------------|--------------------|
| 1           | 119-9381           | 1           | Ring-Lid           |
| 2           | 119-9382           | 1           | Arm-Lid            |
| 3           | 119-9383           | 1           | Vent-Lid           |
| 4           | 119-9384           | 1           | Cover-Lid          |
| 5           | 119-9385           | 1           | Pin-Pivot          |
| 6           | 138-6281           | 1           | Seal - Tank Lid    |
| 7           | 119-9386           | 2           | O-Ring             |
| 8           | 119-9387           | 1           | Cap-Lid            |



## Filter Assembly No. 130-7096

| <i>Ref.</i> | <i>Part Number</i> | <i>Qty.</i> | <i>Description</i> |
|-------------|--------------------|-------------|--------------------|
| 1           | 100-8643           | 1           | Housing-Filter     |
| 2           | 106-4942           | 1           | Hosebarb-Straight  |
| 2:1         | 100-6989           | 1           | O-Ring             |
| 3           | 100-8636           | 1           | Fork-Special       |
| 4           | 100-8646           | 1           | Gasket-Bulkhead    |
| 5           | 100-8647           | 1           | Nut-Bulkhead       |
| 6           | 100-8644           | 2           | Pin-Expansion      |

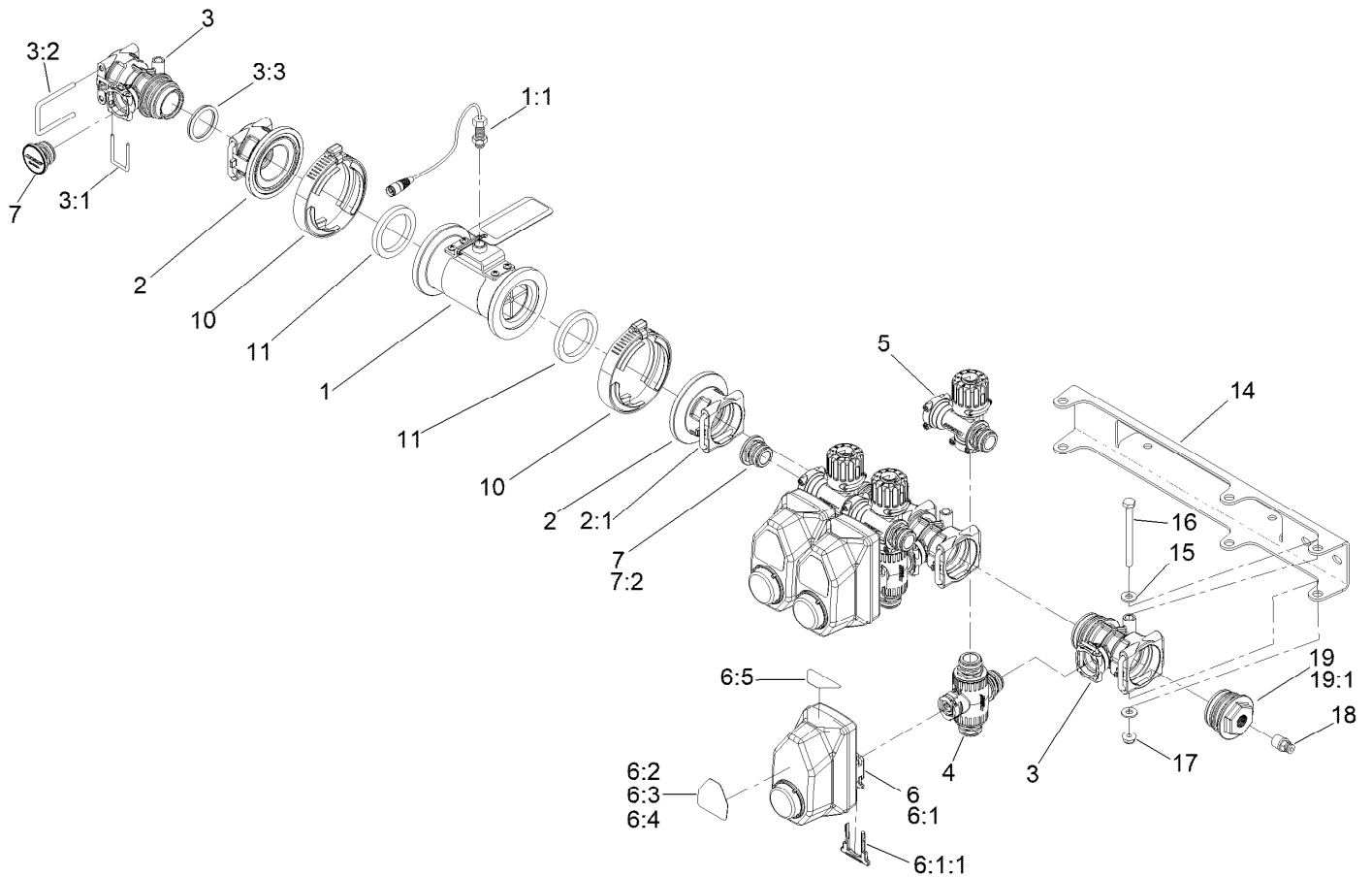


## Spray Tank Valve Assembly

| Ref. | Part Number | Qty. | Description               | Ref. | Part Number | Qty. | Description                     |
|------|-------------|------|---------------------------|------|-------------|------|---------------------------------|
| 1    | 2412-147    | 1    | Clamp-R                   | 35   | 132-4318-03 | 1    | Mount-Bracket, Agitation        |
| 3    | 3234-47     | 7    | Screw-HHF                 | 36   | 132-4302    | 1    | Mount-Valve                     |
| 6    |             | 1    | Manifold ASM, Section ●   | 37   | 131-0249    | 1    | On/Off 2-Way Valve Kit          |
| 10   | 117-7874    | 1    | Relief Valve ASM          | 38   | 131-0264    | 1    | Agitation Throttling Handle Kit |
| 13   | 133-2881    | 1    | Fitting                   | 38:1 | 131-0263    | 1    | Screw-Handle                    |
| 17   | 32144-32    | 2    | Screw                     | 39   | 33113-012   | 4    | Screw-HH                        |
| 18   | 3256-61     | 2    | Washer-Flat               | 40   | 104-8300    | 5    | Nut-HF, NI                      |
| 23   |             | 1    | Manifold ASM, Agitation ● | 41   | 127-9829    | 1    | Clamp/Gasket Kit                |
| 26   | 32104-32    | 7    | Screw-HWH                 | 41:2 | 127-1145    | 1    | Gasket-Flange                   |
| 27   | 100-6704    | 2    | Tee                       | 43   | 133-2882    | 1    | O-Ring                          |
| 28   | 106-4947    | 1    | Connector                 | 44   | 147-4658-03 | 1    | Valve-Mount, ASM [black]        |
| 28:1 | 100-8637    | 2    | O-Ring                    | 45   | 147-4662-03 | 1    | Agitation-Mount, ASM [black]    |
| 31   | 100-8635    | 12   | Fork                      |      |             |      |                                 |
| 34   | 3334-945    | 3    | Tie-Cable                 |      |             |      |                                 |

● Not serviced separately

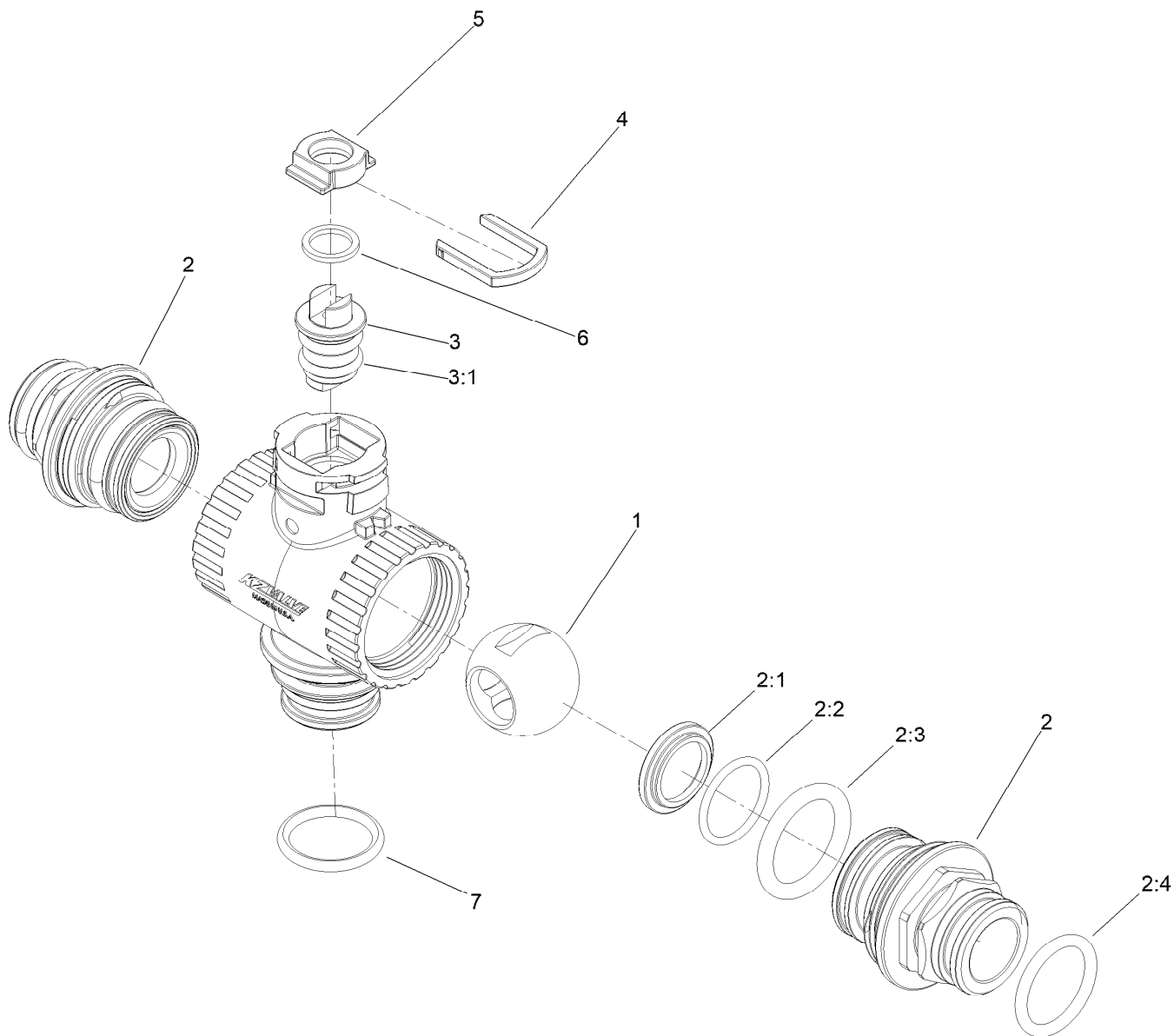




## Section Manifold Assembly

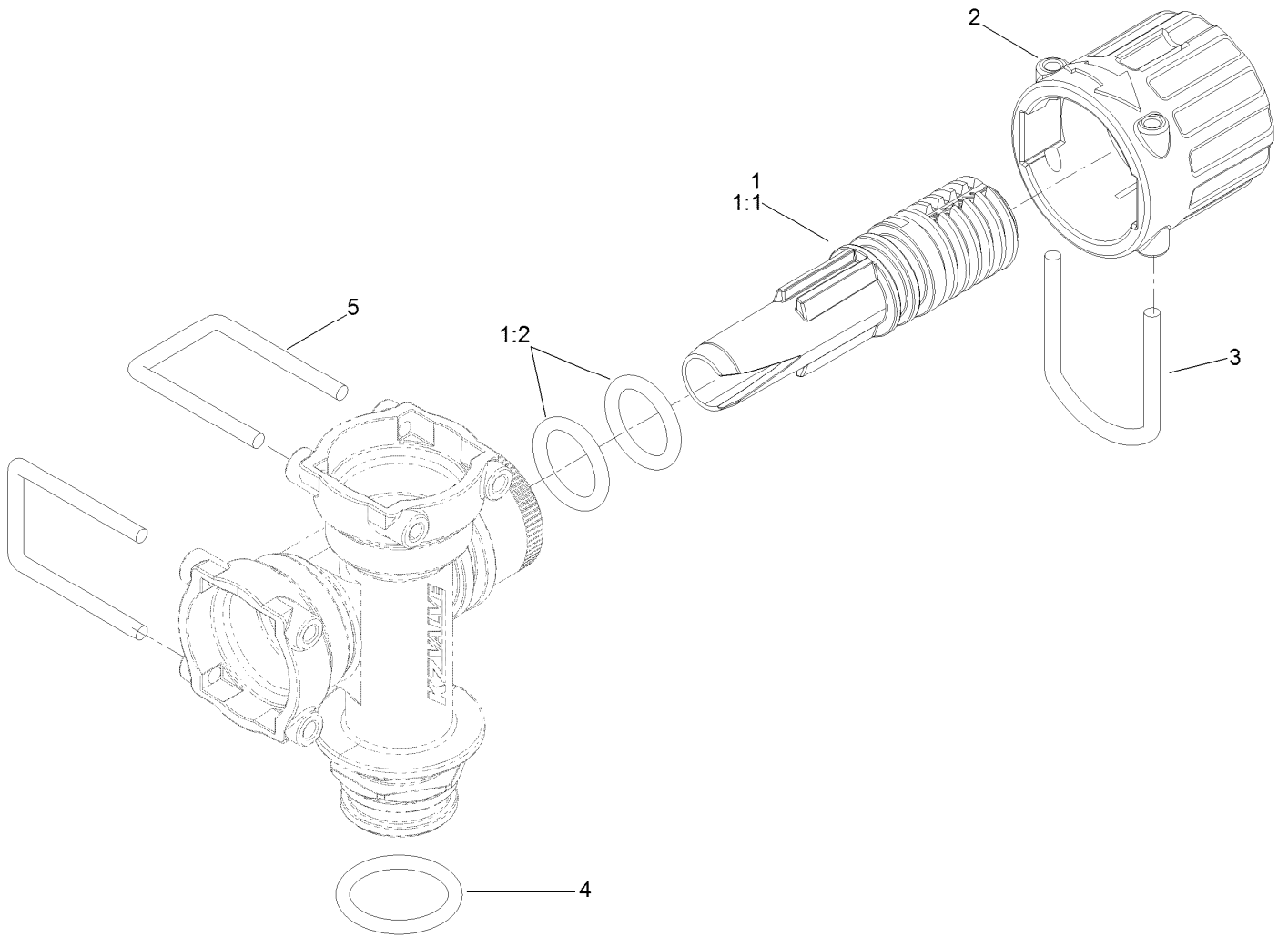
| Ref.  | Part Number | Qty. | Description                   | Ref. | Part Number | Qty. | Description                |
|-------|-------------|------|-------------------------------|------|-------------|------|----------------------------|
| 1     | 147-4730    | 1    | Flow Meter ASM                | 6:3  | 127-6981    | 1    | Decal-Valve, On/Off        |
| 1:1   | 147-4733    | 1    | Sensor - Flow Meter, Fm270PIf | 6:4  | 127-6982    | 1    | Decal-Valve, Master Boom   |
| 2     | 147-3197    | 2    | Kit Qf, Flange-M200 Female    | 6:5  | 127-6976    | 1    | Decal-Valve, Bypass Adjust |
| 2:1   | 147-3186    | 1    | Pin-Fork, Qf Large            | 7    | 127-9810    | 2    | Male Cap Fitting Kit       |
| 3     | 147-3187    | 4    | Kit-Qf, Manifold Tee          | 7:2  | 127-1187    | 1    | O-Ring, Endcap             |
| 3:1   | 147-3185    | 1    | Pin-Fork, Qf Small            | 10   | 104-9089    | 2    | Clamp-Screw, Worm          |
| 3:2   | 147-3186    | 1    | Pin-Fork, Qf Large            | 11   | 104-9090    | 2    | Gasket                     |
| 3:3   | 147-3188    | 1    | Seal-Manifold, Qf Series      | 14   | 147-4659    | 1    | Brkt-Section               |
| 4     | 147-3183    | 3    | Kit-Tx2 - 3Way Manifold       | 15   | 3256-22     | 6    | Washer-Flat                |
| 5     | 127-9805    | 3    | Bypass Valve ASM              | 16   | 321-23      | 3    | Screw-HH                   |
| 6     | 140-7377    | 3    | Kit-Actuator Pi, On/Off       | 17   | 104-7201    | 3    | Nut-HF, NI                 |
| 6:1   |             | 1    | Actuator - On/Off ●           | 18   | 131-3709    | 1    | Coupler                    |
| 6:1:1 | 130-7301    | 1    | Hairpin-Actuator              | 19   | 161-4187    | 1    | Kit Qf, Plug-Male W/Port   |
| 6:2   | 127-6979    | 1    | Decal-Valve, Agitation        | 19:1 | 147-3188    | 1    | Seal-Manifold, Qf Series   |

● Not serviced separately



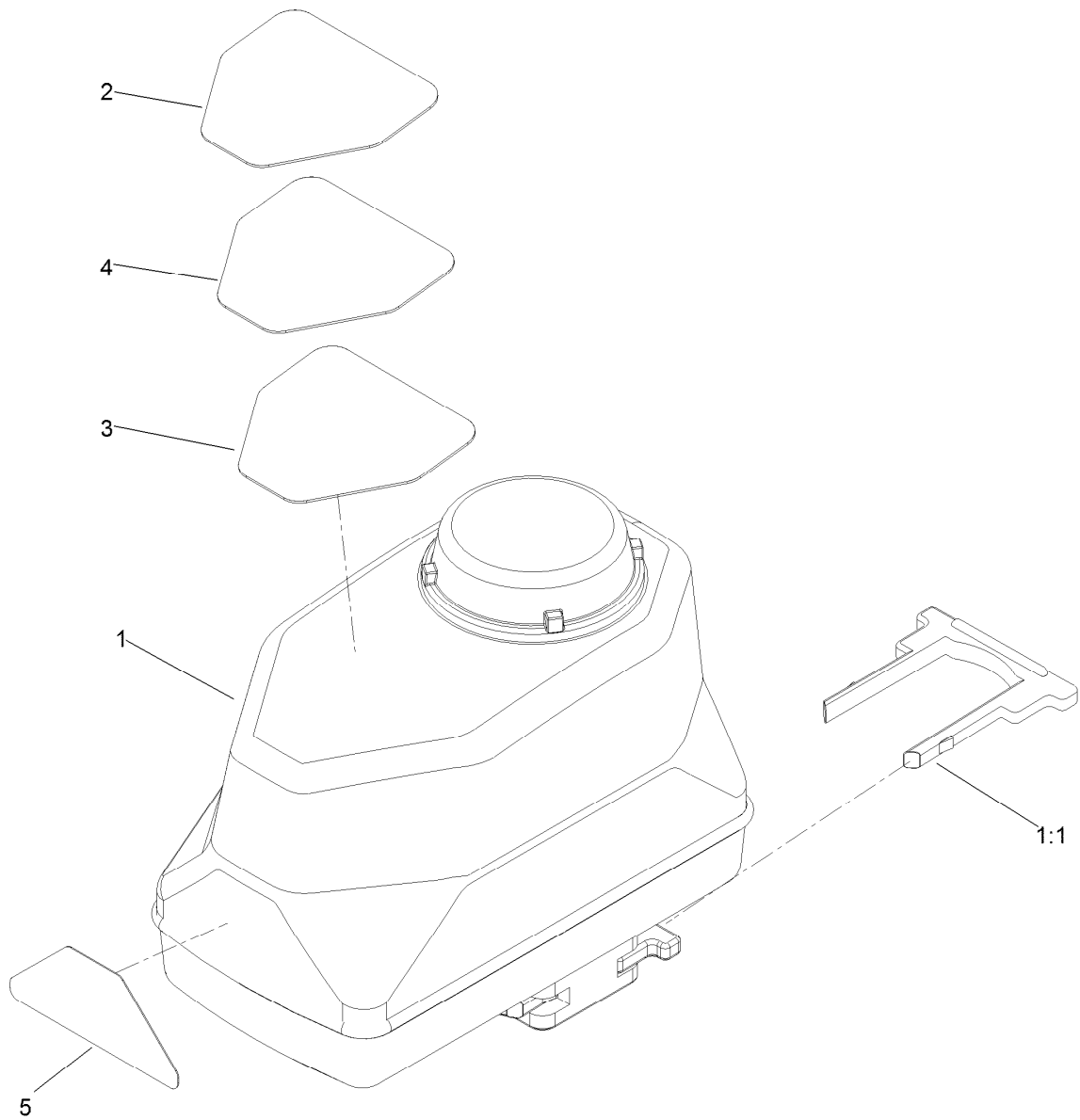
## 3-Way Valve Assembly No. 147-3183

| Ref. | Part Number | Qty. | Description         |
|------|-------------|------|---------------------|
| 1    | 127-1194    | 1    | Ball-Valve, 3Way    |
| 2    | 130-7317    | 2    | Endcap Kit          |
| 2:1  | 127-1192    | 1    | Seat-Ball           |
| 2:2  | 127-1188    | 1    | O-Ring, Seat (Ball) |
| 2:3  | 127-1189    | 1    | O-Ring, Endcap      |
| 2:4  | 127-1187    | 1    | O-Ring, Endcap      |
| 3    | 130-8248    | 1    | Vavle Stem Kit      |
| 3:1  | 127-1197    | 2    | O-Ring-Stem         |
| 4    | 127-1190    | 1    | Fork-Stem, Valve    |
| 5    | 127-1195    | 1    | Seat-Stem, Valve    |
| 6    | 127-1196    | 1    | Washer-Stem, Valve  |
| 7    | 127-1187    | 1    | O-Ring, Endcap      |



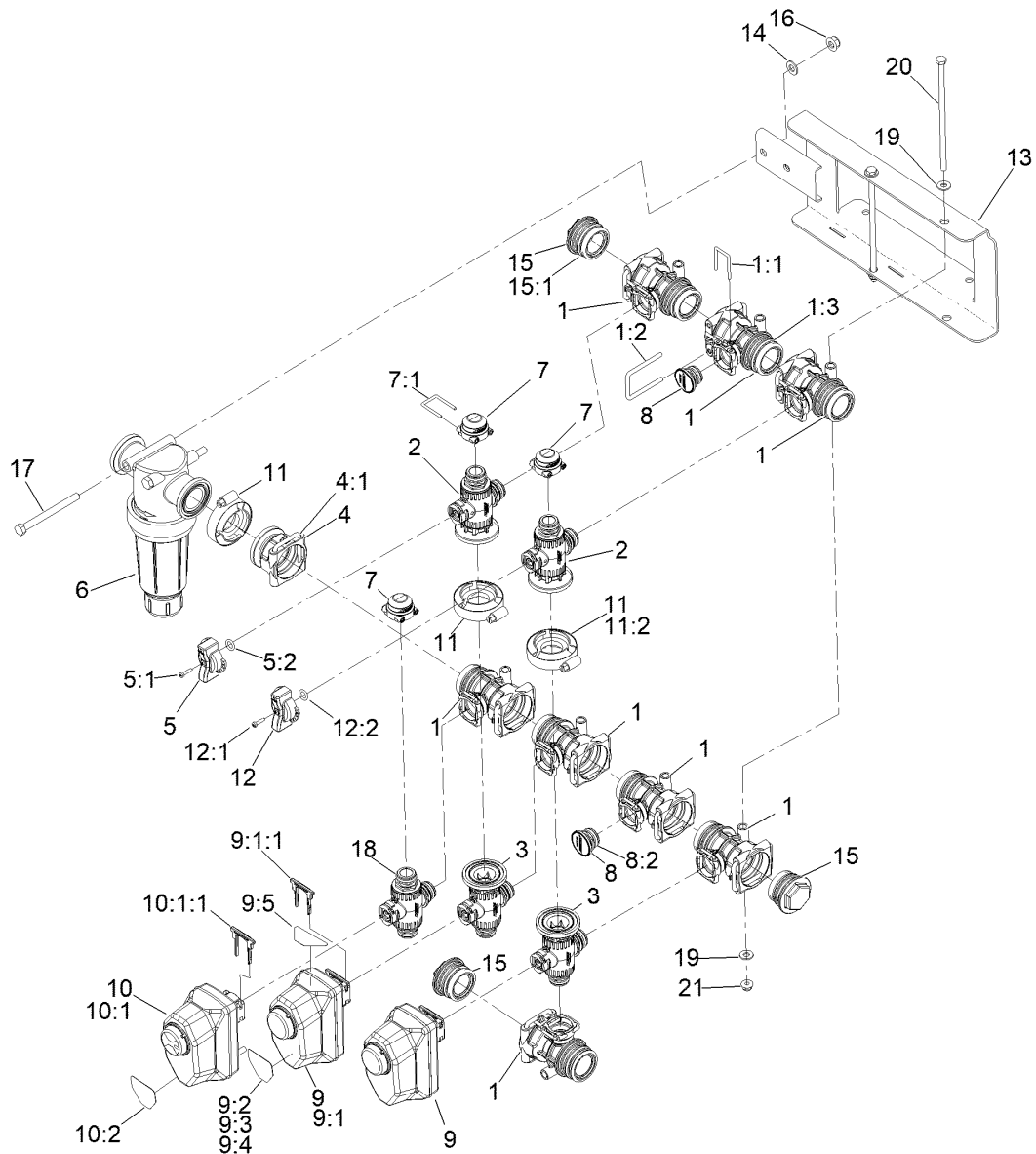
## Bypass Valve Assembly No. 127-9805

| <i>Ref.</i> | <i>Part Number</i> | <i>Qty.</i> | <i>Description</i>  |
|-------------|--------------------|-------------|---------------------|
| 1           | 131-0298           | 1           | Bypass Needle Kit   |
| 1:1         | 127-1182           | 1           | Needle-Bypass       |
| 1:2         | 127-1181           | 2           | Oring-Bypass Needle |
| 2           | 127-1180           | 1           | Knob-Bypass         |
| 3           | 127-1179           | 1           | Fork-Bypass Knob    |
| 4           | 127-1187           | 1           | O-Ring, Endcap      |
| 5           | 133-0398           | 2           | Pin-Fork            |



## Actuator On/Off Assembly No. 140-7377

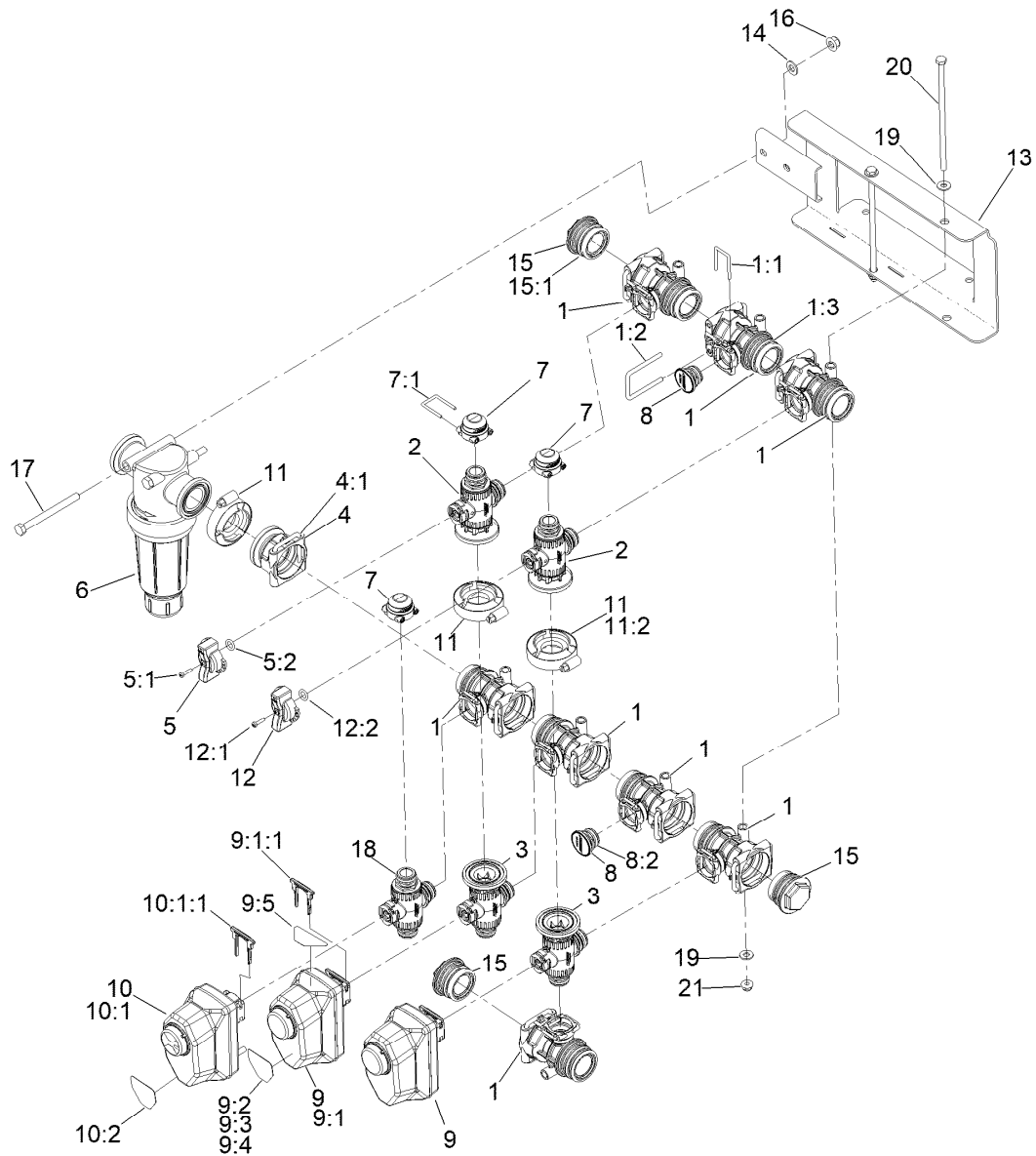
| <i>Ref.</i> | <i>Part Number</i> | <i>Qty.</i> | <i>Description</i>         |
|-------------|--------------------|-------------|----------------------------|
| 1           | 140-7315           | 1           | Actuator - On/Off          |
| 1:1         | 130-7301           | 1           | Hairpin-Actuator           |
| 2           | 127-6979           | 1           | Decal-Valve, Agitation     |
| 3           | 127-6981           | 1           | Decal-Valve, On/Off        |
| 4           | 127-6982           | 1           | Decal-Valve, Master Boom   |
| 5           | 127-6976           | 1           | Decal-Valve, Bypass Adjust |



## Agitation Manifold Assembly

| Ref. | Part Number | Qty. | Description                     | Ref.   | Part Number | Qty. | Description                  |
|------|-------------|------|---------------------------------|--------|-------------|------|------------------------------|
| 1    | 147-3187    | 8    | Kit-Qf, Manifold Tee            | 9      | 140-7377    | 2    | Kit-Actuator Pi, On/Off      |
| 1:1  | 147-3185    | 1    | Pin-Fork, Qf Small              | 9:1    |             | 1    | Actuator - On/Off ●          |
| 1:2  | 147-3186    | 1    | Pin-Fork, Qf Large              | 9:1:1  | 130-7301    | 1    | Hairpin-Actuator             |
| 1:3  | 147-3188    | 1    | Seal-Manifold, Qf Series        | 9:2    | 127-6979    | 1    | Decal-Valve, Agitation       |
| 2    | 161-4110    | 2    | Kit-Tx2 Manifold Valve, Reg     | 9:3    | 127-6981    | 1    | Decal-Valve, On/Off          |
| 3    | 147-3192    | 2    | Kit-Tx2, 3Way Flange Manifold   | 9:4    | 127-6982    | 1    | Decal-Valve, Master Boom     |
| 4    | 147-3189    | 1    | Kit-Qf, Flange-M100 Female      | 9:5    | 127-6976    | 1    | Decal-Valve, Bypass Adjust   |
| 4:1  | 147-3186    | 1    | Pin-Fork, Qf Large              | 10     | 144-6163    | 1    | Kit-Actuator Regulating Pi   |
| 5    | 131-0265    | 1    | Agitation Regulating Handle Kit | 10:1   |             | 1    | Actuator-Regulating Pi ●     |
| 5:1  | 131-0263    | 1    | Screw-Handle                    | 10:1:1 | 130-7301    | 1    | Hairpin-Actuator             |
| 5:2  | 127-1197    | 1    | O-Ring-Stem                     | 10:2   | 127-6984    | 1    | Decal-Valve, Regulating      |
| 6    | 131-3791    | 1    | Filter-Pressure                 | 11     | 127-9829    | 3    | Clamp/Gasket Kit             |
| 7    | 127-9811    | 3    | Fitting-Cap, Female             | 11:2   | 127-1145    | 1    | Gasket-Flange                |
| 7:1  | 133-0398    | 1    | Pin-Fork                        | 12     | 131-0266    | 1    | Master Regulating Handle Kit |
| 8    | 127-9810    | 2    | Male Cap Fitting Kit            | 12:1   | 131-0263    | 1    | Screw-Handle                 |
| 8:2  | 127-1187    | 1    | O-Ring, Endcap                  | 12:2   | 127-1197    | 1    | O-Ring-Stem                  |
|      |             |      |                                 | 13     | 161-4105    | 1    | Agitation-Mount, ASM         |

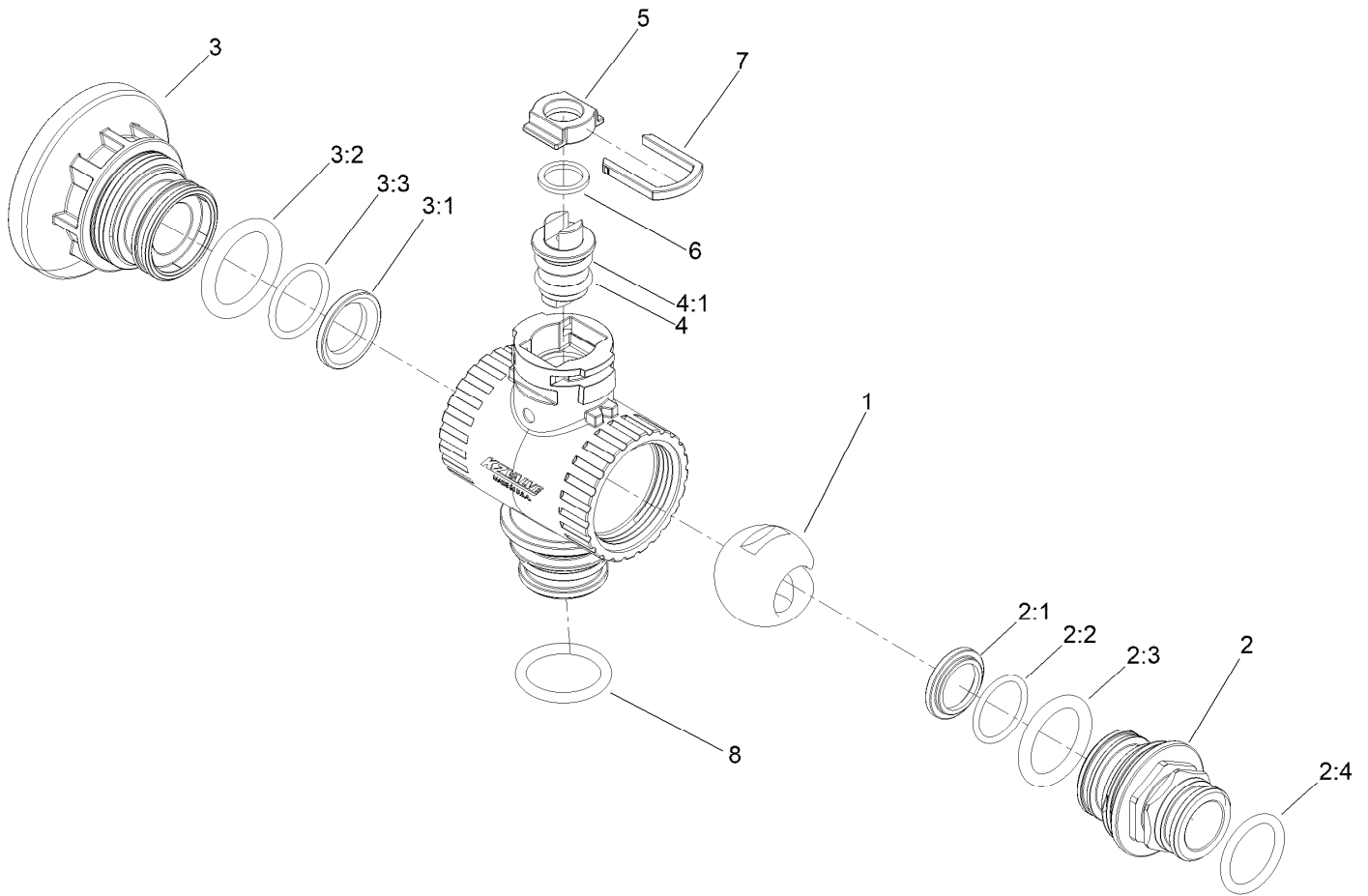
● Not serviced separately



## Agitation Manifold Assembly (continued)

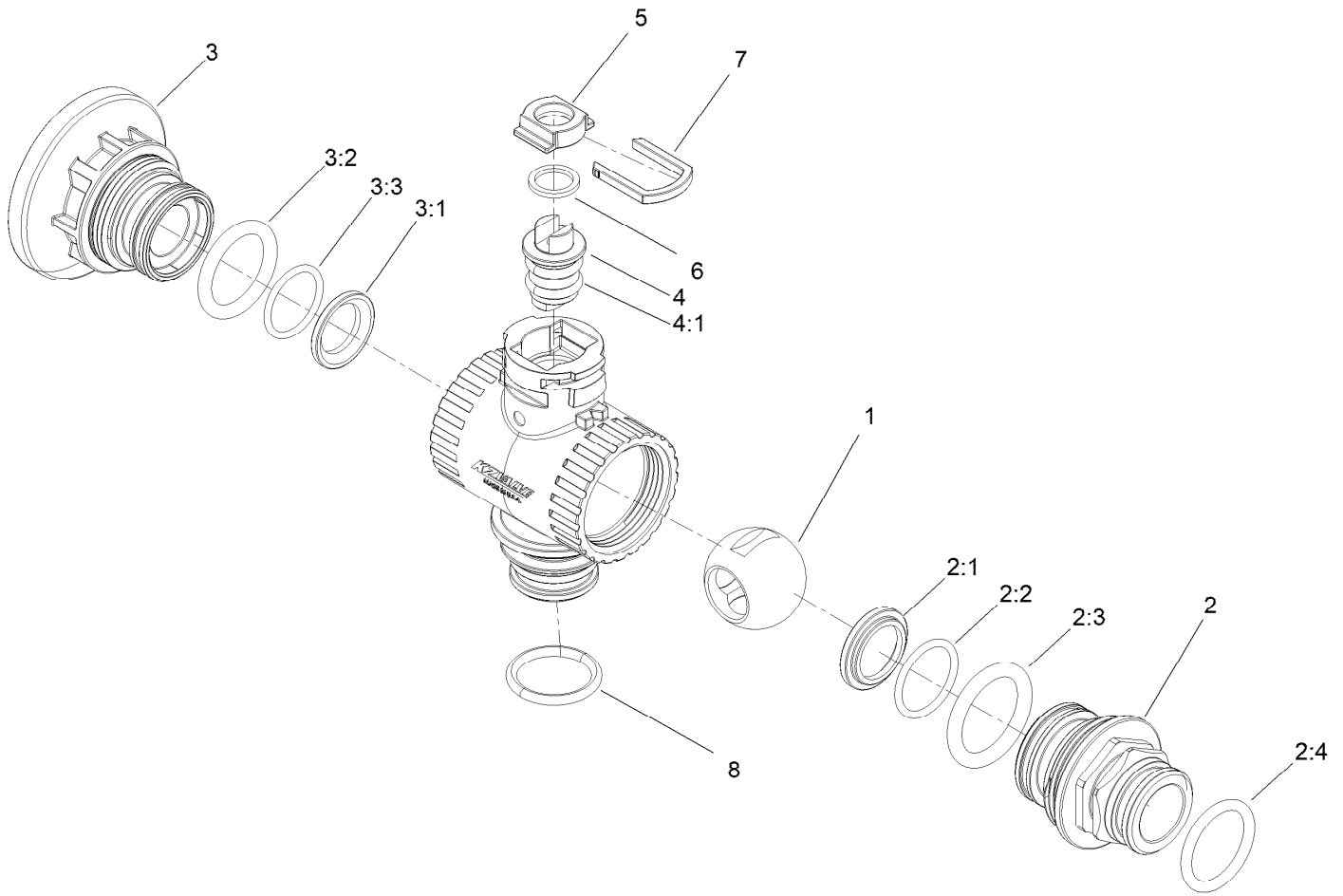
| <i>Ref.</i> | <i>Part Number</i> | <i>Qty.</i> | <i>Description</i>         | <i>Ref.</i> | <i>Part Number</i> | <i>Qty.</i> | <i>Description</i>       |
|-------------|--------------------|-------------|----------------------------|-------------|--------------------|-------------|--------------------------|
| 14          | 3256-23            | 2           | Washer-Plain               | 18          | 161-4111           | 1           | Kit-Tx2 Manifold Qd, Reg |
| 15          | 147-3193           | 3           | Kit Qf, Plug-Male W/O Port | 19          | 3256-22            | 4           | Washer-Flat              |
| 15:1        | 147-3188           | 1           | Seal-Manifold, Qf Series   | 20          | 161-4128           | 2           | Screw-HH                 |
| 16          | 104-8300           | 2           | Nut-HF, NI                 | 21          | 104-7201           | 2           | Nut-HF, NI               |
| 17          | 322-22             | 2           | Screw-HH                   |             |                    |             |                          |

● Not serviced separately



## M100 Manifold Assembly No. 161-4110

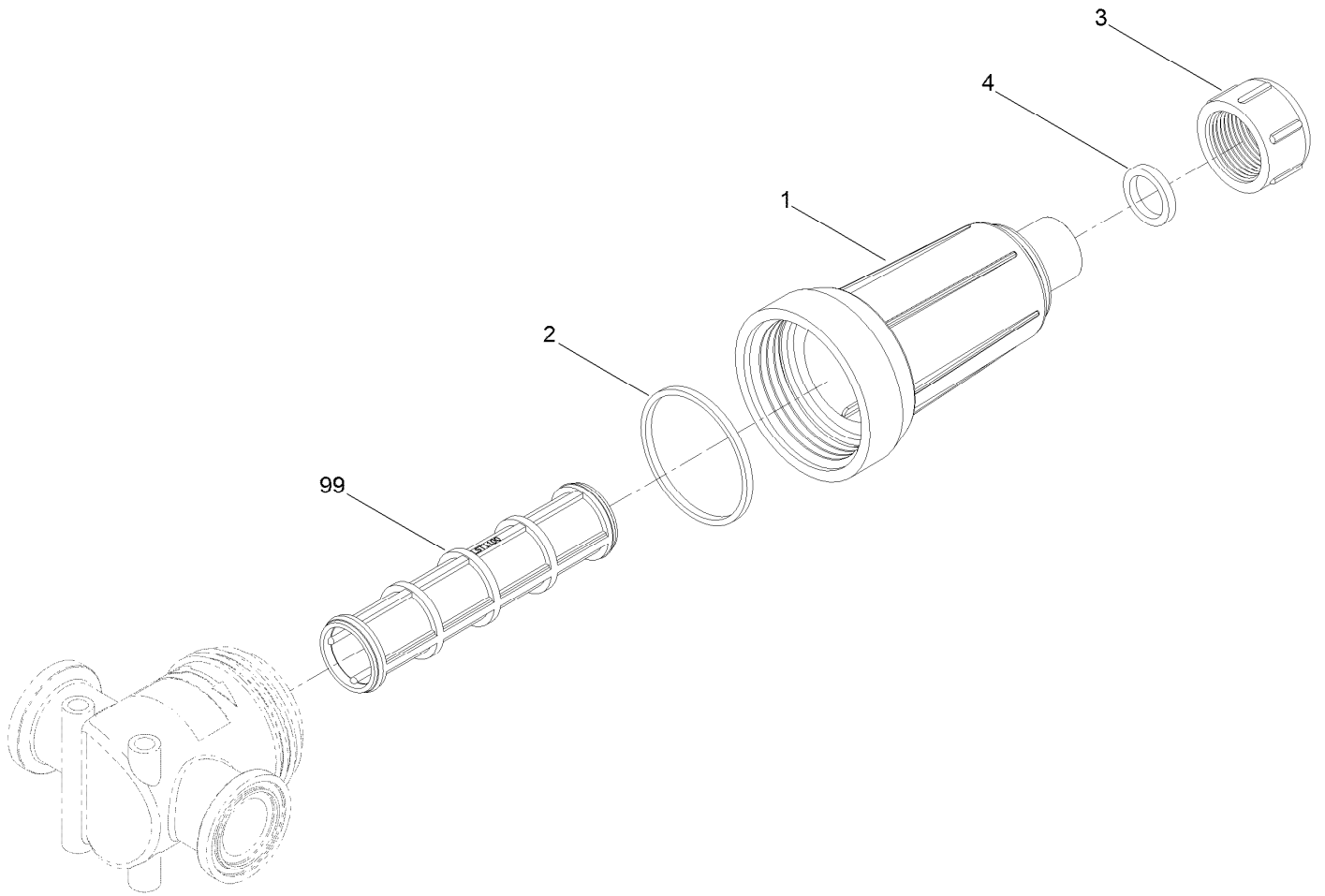
| <i>Ref.</i> | <i>Part Number</i> | <i>Qty.</i> | <i>Description</i>  | <i>Ref.</i> | <i>Part Number</i> | <i>Qty.</i> | <i>Description</i>  |
|-------------|--------------------|-------------|---------------------|-------------|--------------------|-------------|---------------------|
| 1           | 127-1113           | 1           | Ball-V              | 3:2         | 127-1188           | 1           | O-Ring, Seat (Ball) |
| 2           | 130-7317           | 1           | Endcap Kit          | 3:3         | 127-1189           | 1           | O-Ring, Endcap      |
| 2:1         | 127-1192           | 1           | Seat-Ball           | 4           | 130-8248           | 1           | Valve Stem Kit      |
| 2:2         | 127-1188           | 1           | O-Ring, Seat (Ball) | 4:1         | 127-1197           | 2           | O-Ring-Stem         |
| 2:3         | 127-1189           | 1           | O-Ring, Endcap      | 5           | 127-1195           | 1           | Seat-Stem, Valve    |
| 2:4         | 127-1187           | 1           | O-Ring, Endcap      | 6           | 127-1196           | 1           | Washer-Stem, Valve  |
| 3           | 130-8249           | 1           | Endcap Kit          | 7           | 127-1190           | 1           | Fork-Stem, Valve    |
| 3:1         | 127-1192           | 1           | Seat-Ball           | 8           | 127-1187           | 1           | O-Ring, Endcap      |



## 3-Way Flange Manifold Assembly No. 147-3192

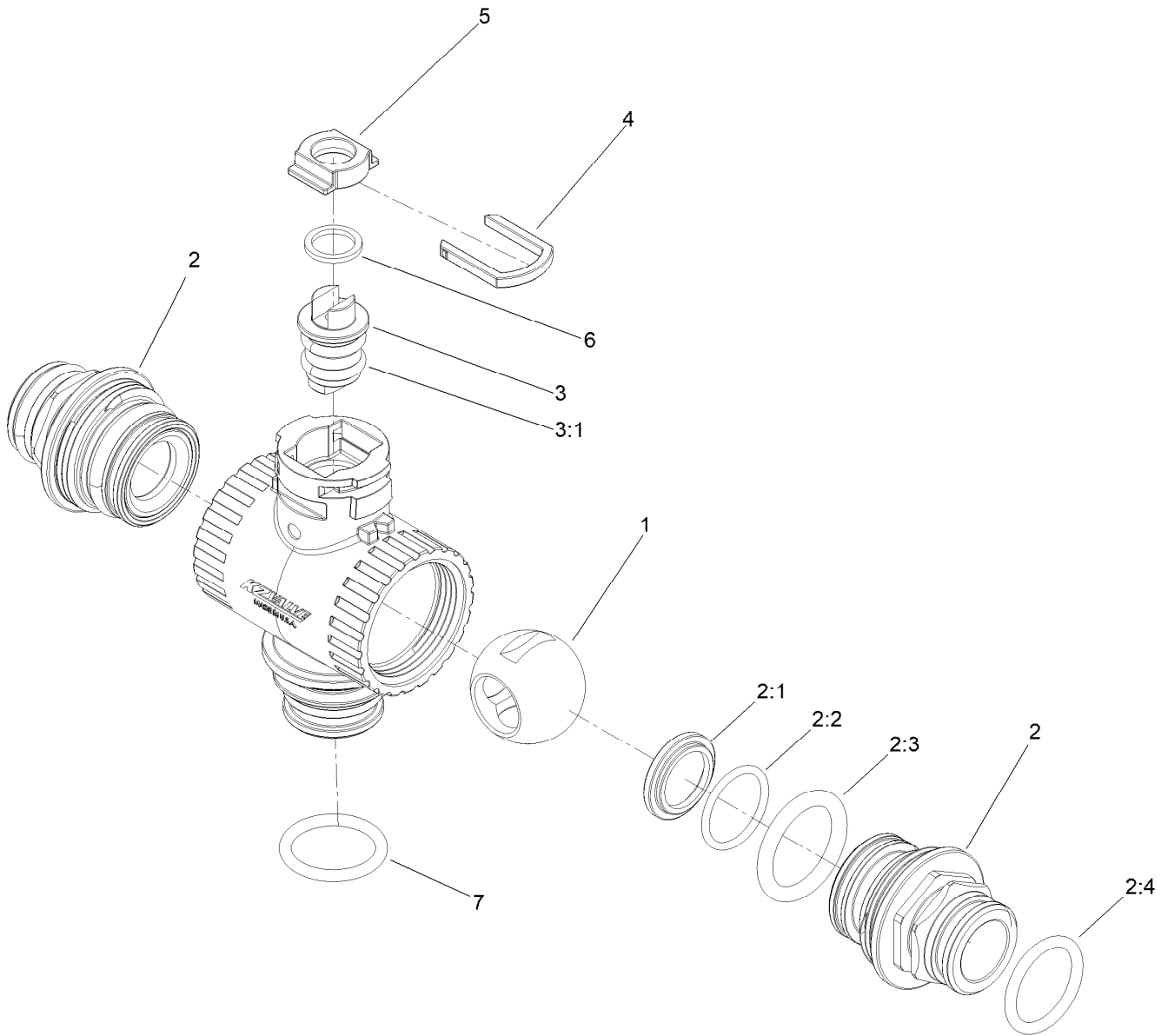
| <i>Ref.</i> | <i>Part Number</i> | <i>Qty.</i> | <i>Description</i>  | <i>Ref.</i> | <i>Part Number</i> | <i>Qty.</i> | <i>Description</i>  |
|-------------|--------------------|-------------|---------------------|-------------|--------------------|-------------|---------------------|
| 1           | 127-1194           | 1           | Ball-Valve, 3Way    | 3:2         | 127-1188           | 1           | O-Ring, Seat (Ball) |
| 2           | 130-7317           | 1           | Endcap Kit          | 3:3         | 127-1189           | 1           | O-Ring, Endcap      |
| 2:1         | 127-1192           | 1           | Seat-Ball           | 4           | 130-8248           | 1           | Valve Stem Kit      |
| 2:2         | 127-1188           | 1           | O-Ring, Seat (Ball) | 4:1         | 127-1197           | 2           | O-Ring-Stem         |
| 2:3         | 127-1189           | 1           | O-Ring, Endcap      | 5           | 127-1195           | 1           | Seat-Stem, Valve    |
| 2:4         | 127-1187           | 1           | O-Ring, Endcap      | 6           | 127-1196           | 1           | Washer-Stem, Valve  |
| 3           | 130-8249           | 1           | Endcap Kit          | 7           | 127-1190           | 1           | Fork-Stem, Valve    |
| 3:1         | 127-1192           | 1           | Seat-Ball           | 8           | 127-1187           | 1           | O-Ring, Endcap      |





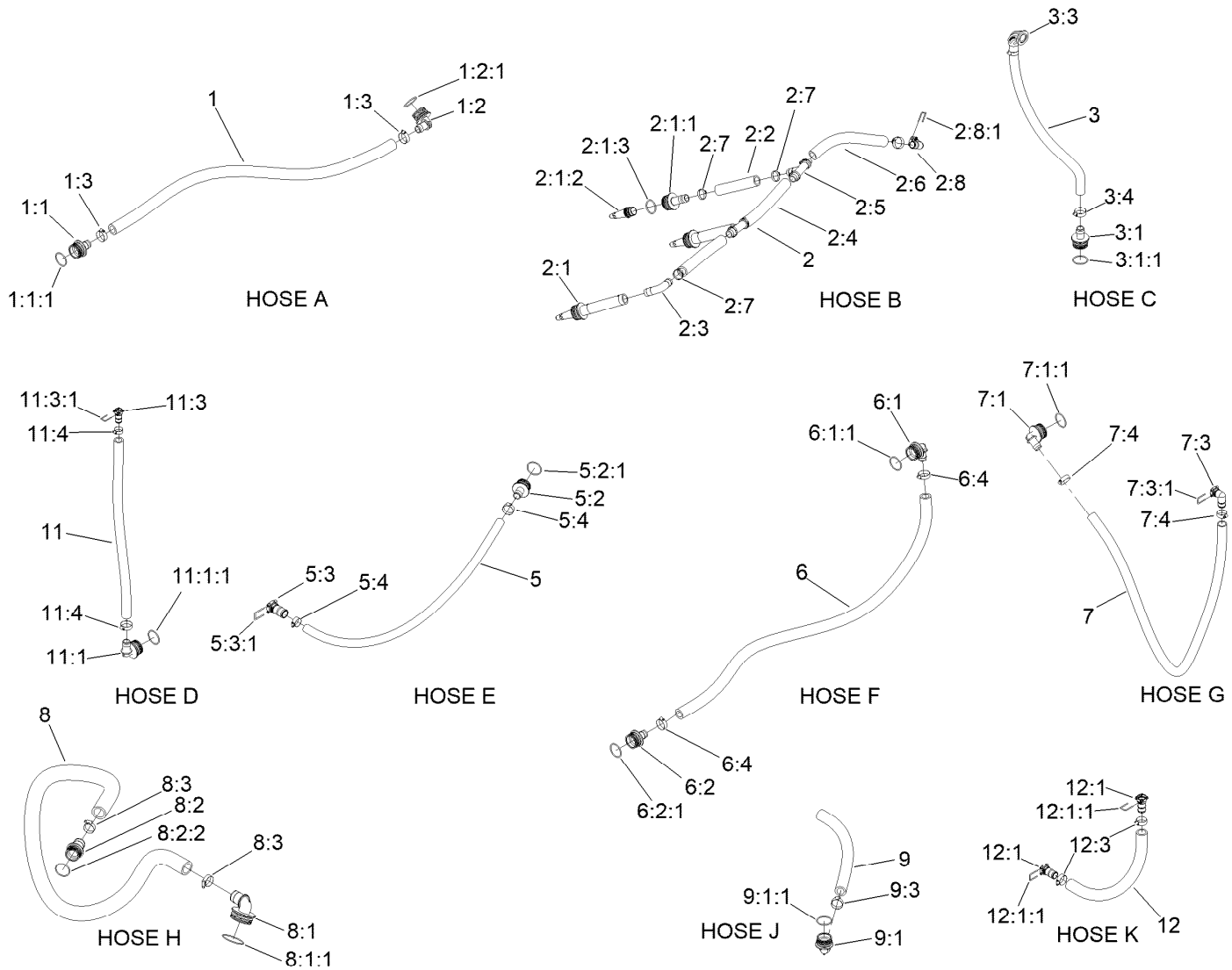
## Pressure Filter Assembly No. 131-3791

| <i>Ref.</i> | <i>Part Number</i> | <i>Qty.</i> | <i>Description</i>      |
|-------------|--------------------|-------------|-------------------------|
| 1           | 136-0397           | 1           | Bowl-Strainer           |
| 2           | 136-0398           | 1           | Rubber-Gasket           |
| 3           | 136-0410           | 1           | Strainer Cap            |
| 4           | 136-0399           | 1           | Rubber-Gasket           |
| 99          | 133-0384           | 1           | Screen-Teejet, 30 Mesh  |
| 99          | 133-0385           | 1           | Screen-Teejet, 50 Mesh  |
| 99          | 133-0386           | 1           | Screen-Teejet, 80 Mesh  |
| 99          | 133-0387           | 1           | Screen-Teejet, 100 Mesh |



## QD Manifold Assembly No. 161-4111

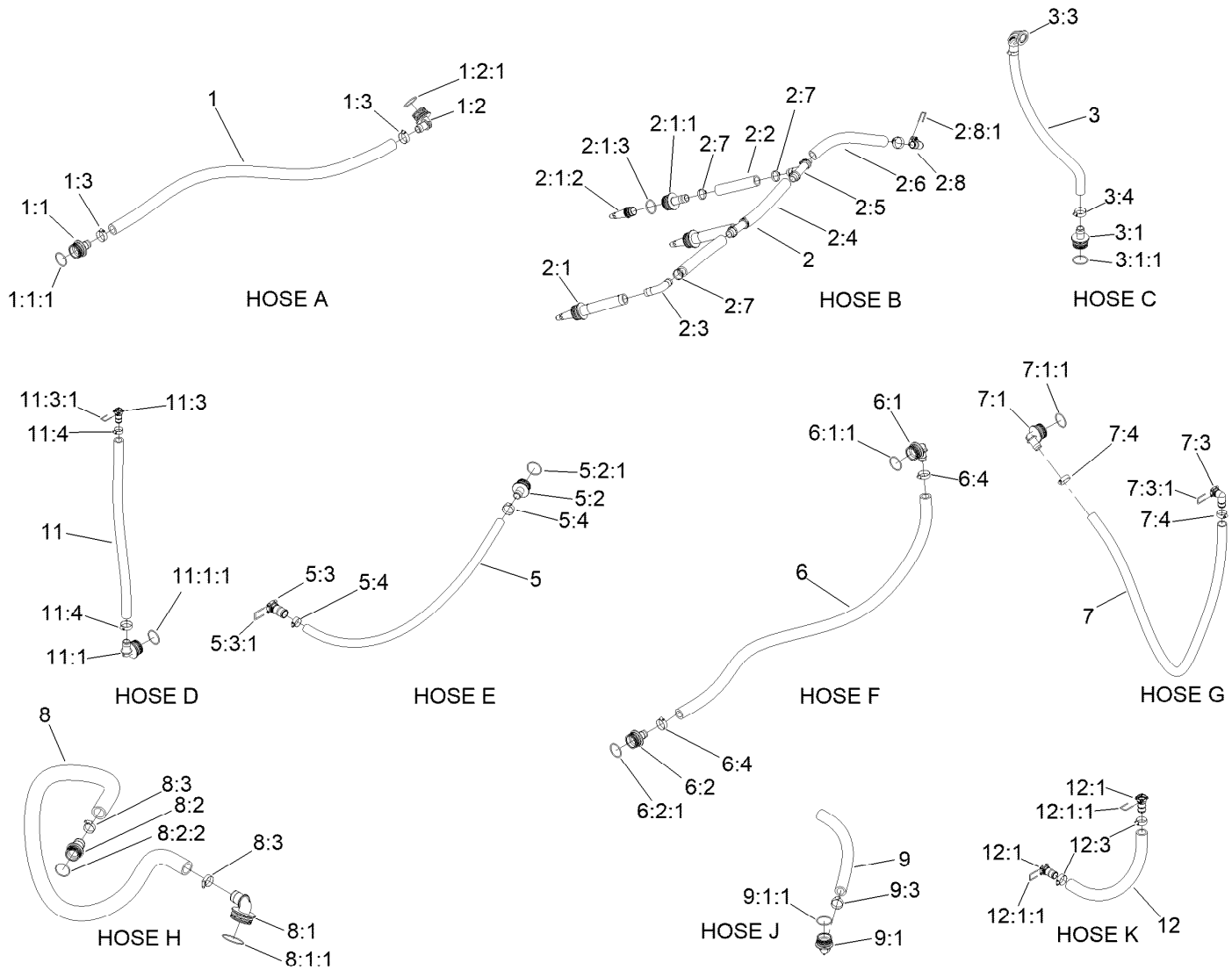
| <i>Ref.</i> | <i>Part Number</i> | <i>Qty.</i> | <i>Description</i>  |
|-------------|--------------------|-------------|---------------------|
| 1           | 127-1113           | 1           | Ball-V              |
| 2           | 130-7317           | 2           | Endcap Kit          |
| 2:1         | 127-1192           | 1           | Seat-Ball           |
| 2:2         | 127-1188           | 1           | O-Ring, Seat (Ball) |
| 2:3         | 127-1189           | 1           | O-Ring, Endcap      |
| 2:4         | 127-1187           | 1           | O-Ring, Endcap      |
| 3           | 130-8248           | 1           | Valve Stem Kit      |
| 3:1         | 127-1197           | 2           | O-Ring-Stem         |
| 4           | 127-1190           | 1           | Fork-Stem, Valve    |
| 5           | 127-1195           | 1           | Seat-Stem, Valve    |
| 6           | 127-1196           | 1           | Washer-Stem, Valve  |
| 7           | 127-1187           | 1           | O-Ring, Endcap      |



Reference **Spray Tank Assembly** page and **Spray Tank Valve Assembly** page for hose locations and orientation

## Hose Assembly

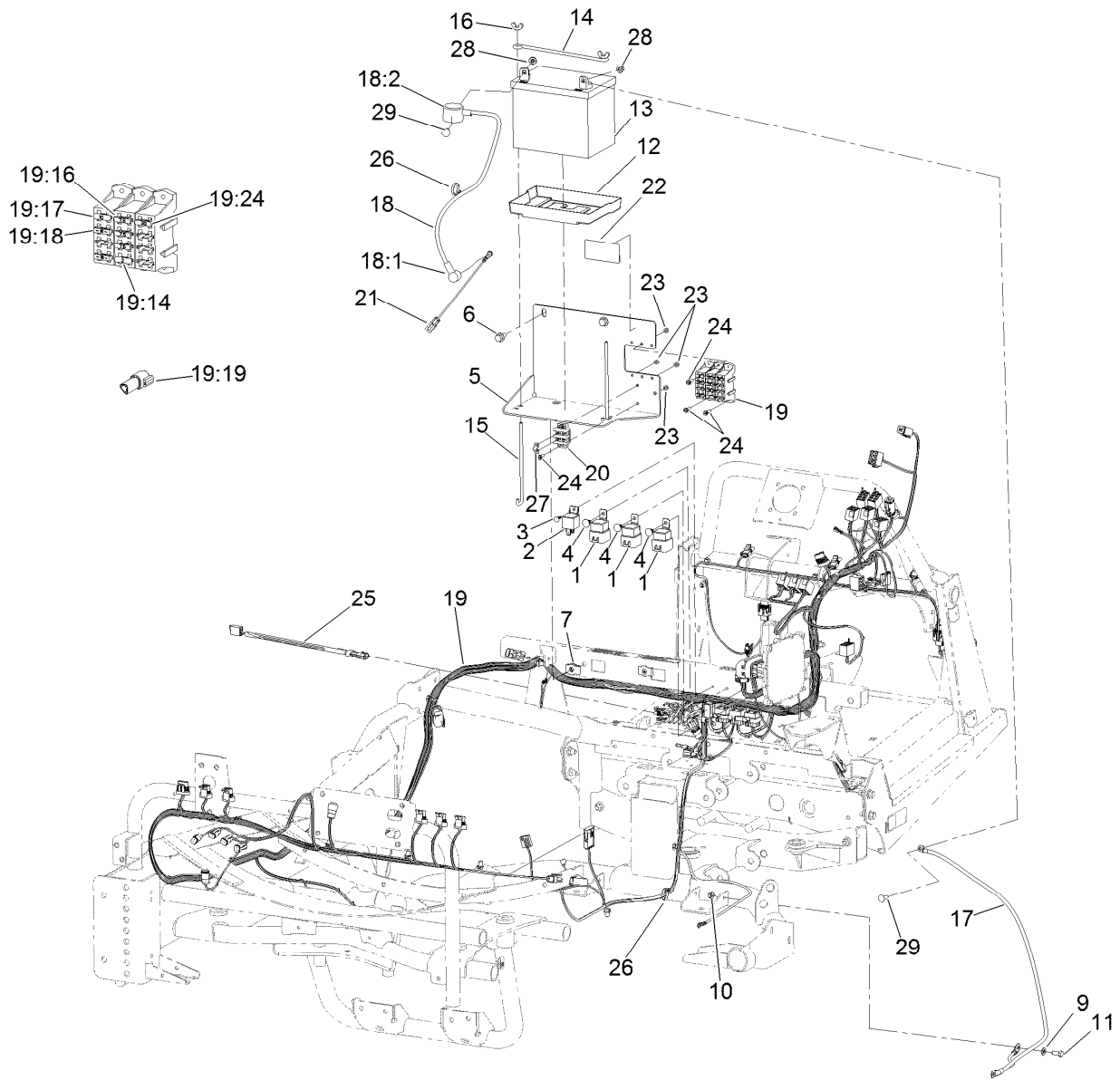
| Ref.  | Part Number | Qty. | Description             | Ref.  | Part Number | Qty. | Description                    |
|-------|-------------|------|-------------------------|-------|-------------|------|--------------------------------|
| 1     | 121-6539    | 1    | Main Supply Hose ASM    | 3:1:1 | 100-8637    | 1    | O-Ring                         |
| 1:1   | 106-4932    | 1    | Hosebarb-Straight       | 3:3   | 131-0241    | 1    | Fitting-Elb 90                 |
| 1:1:1 | 100-8637    | 1    | O-Ring                  | 3:4   | 2412-34     | 2    | Clamp-Hose                     |
| 1:2   | 106-4933    | 1    | Hosebarb ASM            | 5     | 161-4155    | 1    | Hose ASM, Agitation Bypass     |
| 1:2:1 | 100-8637    | 1    | O-Ring                  | 5:2   | 106-4932    | 1    | Hosebarb-Straight              |
| 1:3   | 2412-34     | 2    | Clamp-Hose              | 5:2:1 | 100-8637    | 1    | O-Ring                         |
| 2     | 139-3094    | 1    | Hose-Agitation, ASM     | 5:3   | 161-4117    | 1    | Kit-Fitting, Qf 1" Barb Female |
| 2:1   | 131-3731    | 3    | Agitation Nozzle ASM    | 5:3:1 | 147-3186    | 1    | Pin-Fork, Qf Large             |
| 2:1:1 | 131-3732    | 1    | Fitting-Barb            | 5:4   | 2412-34     | 2    | Clamp-Hose                     |
| 2:1:2 | 120-8579    | 1    | Nozzle-Agitation        | 6     | 125-0601    | 1    | Regulating Hose ASM            |
| 2:1:3 | 121-4996    | 1    | O-Ring                  | 6:1   | 106-4933    | 1    | Hosebarb ASM                   |
| 2:2   | 125-0665    | 3    | Nozzle-Hose, Agitation  | 6:1:1 | 100-8637    | 1    | O-Ring                         |
| 2:3   | 117-7867    | 1    | Elbow-Hosebarb          | 6:2   | 106-4932    | 1    | Hosebarb-Straight              |
| 2:4   | 125-0664    | 2    | Tee-Hose, Agitation     | 6:2:1 | 100-8637    | 1    | O-Ring                         |
| 2:5   | 117-7866    | 2    | Tee-Hosebarb            | 6:4   | 2412-34     | 2    | Clamp-Hose                     |
| 2:6   | 132-4311    | 1    | Hose-Agitation          | 7     | 132-4315    | 1    | Hose-Bypass                    |
| 2:7   | 2412-34     | 12   | Clamp-Hose              | 7:1   | 106-4933    | 1    | Hosebarb ASM                   |
| 2:8   | 131-0213    | 1    | 90 DEG Barb Fitting Kit | 7:1:1 | 100-8637    | 1    | O-Ring                         |
| 2:8:1 | 133-0398    | 1    | Pin-Fork                | 7:3   | 131-0213    | 1    | 90 DEG Barb Fitting Kit        |
| 3     | 132-4314    | 1    | Hose-Supply             | 7:3:1 | 133-0398    | 1    | Pin-Fork                       |
| 3:1   | 106-4932    | 1    | Hosebarb-Straight       |       |             |      |                                |



Reference **Spray Tank Assembly** page and **Spray Tank Valve Assembly** page for hose locations and orientation

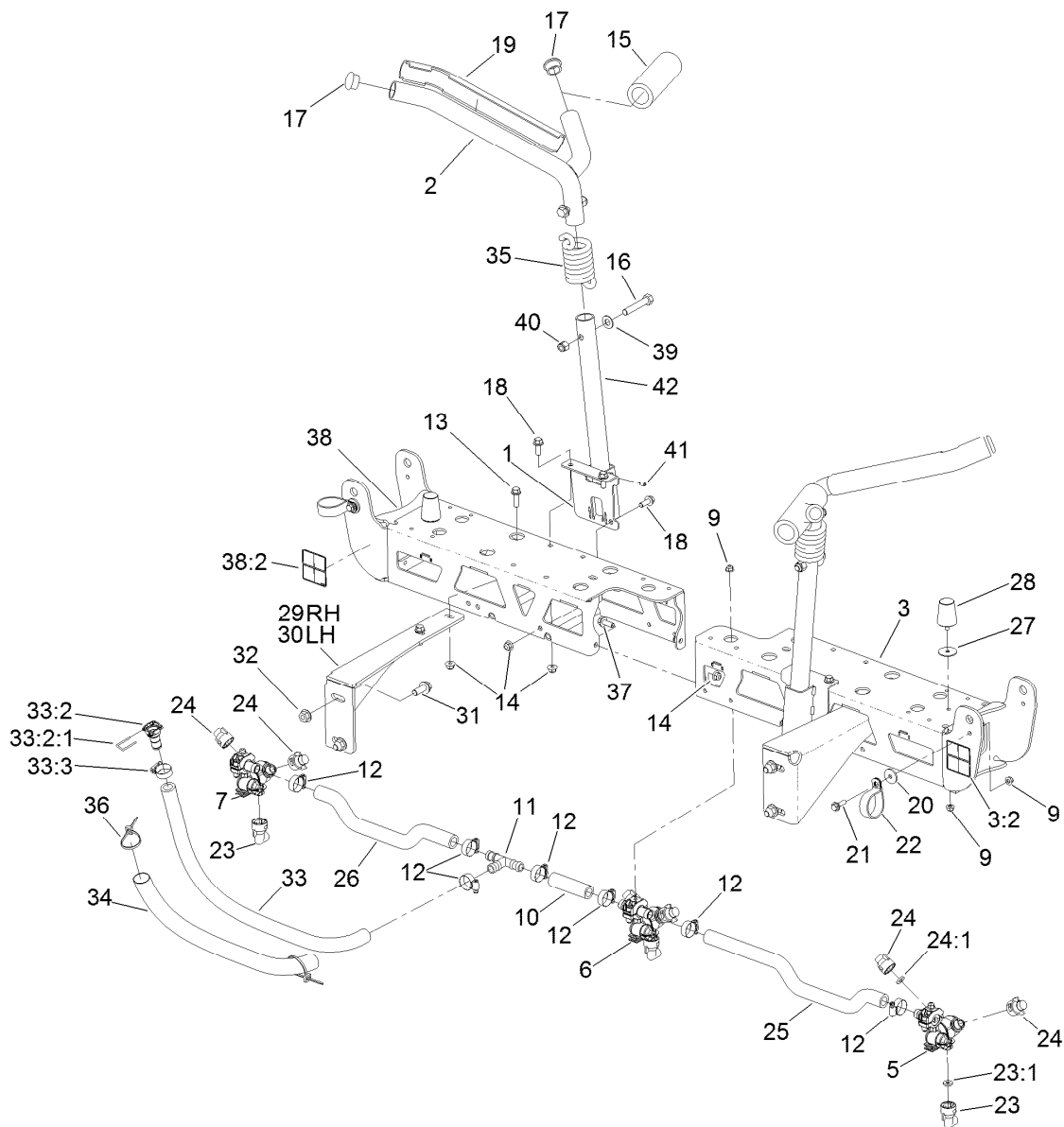
## Hose Assembly (continued)

| Ref.  | Part Number | Qty. | Description          | Ref.   | Part Number | Qty. | Description     |
|-------|-------------|------|----------------------|--------|-------------|------|-----------------|
| 7:4   | 2412-34     | 2    | Clamp-Hose           | 11     | 132-4316    | 1    | Hose-Regulating |
| 8     | 125-0603    | 1    | Top Suction Hose ASM | 11:1   | 106-4933    | 1    | Hosebarb ASM    |
| 8:1   | 106-4952    | 1    | Hosebarb-90 DEG      | 11:1:1 | 100-8637    | 1    | O-Ring          |
| 8:1:1 | 100-6989    | 1    | O-Ring               | 11:3   | 127-9806    | 1    | Fitting Kit     |
| 8:2   | 117-7982    | 1    | Hosebarb ASM         | 11:3:1 | 133-0398    | 1    | Pin-Fork        |
| 8:2:2 | 100-8637    | 1    | O-Ring               | 11:4   | 2412-34     | 2    | Clamp-Hose      |
| 8:3   | 41327       | 2    | Clamp-Hose           | 12     | 132-4319    | 1    | Hose-Regulating |
| 9     | 125-0647    | 1    | Drain Hose ASM       | 12:1   | 127-9806    | 2    | Fitting Kit     |
| 9:1   | 106-4933    | 1    | Hosebarb ASM         | 12:1:1 | 133-0398    | 1    | Pin-Fork        |
| 9:1:1 | 100-8637    | 1    | O-Ring               | 12:3   | 2412-34     | 2    | Clamp-Hose      |
| 9:3   | 2412-34     | 1    | Clamp-Hose           |        |             |      |                 |



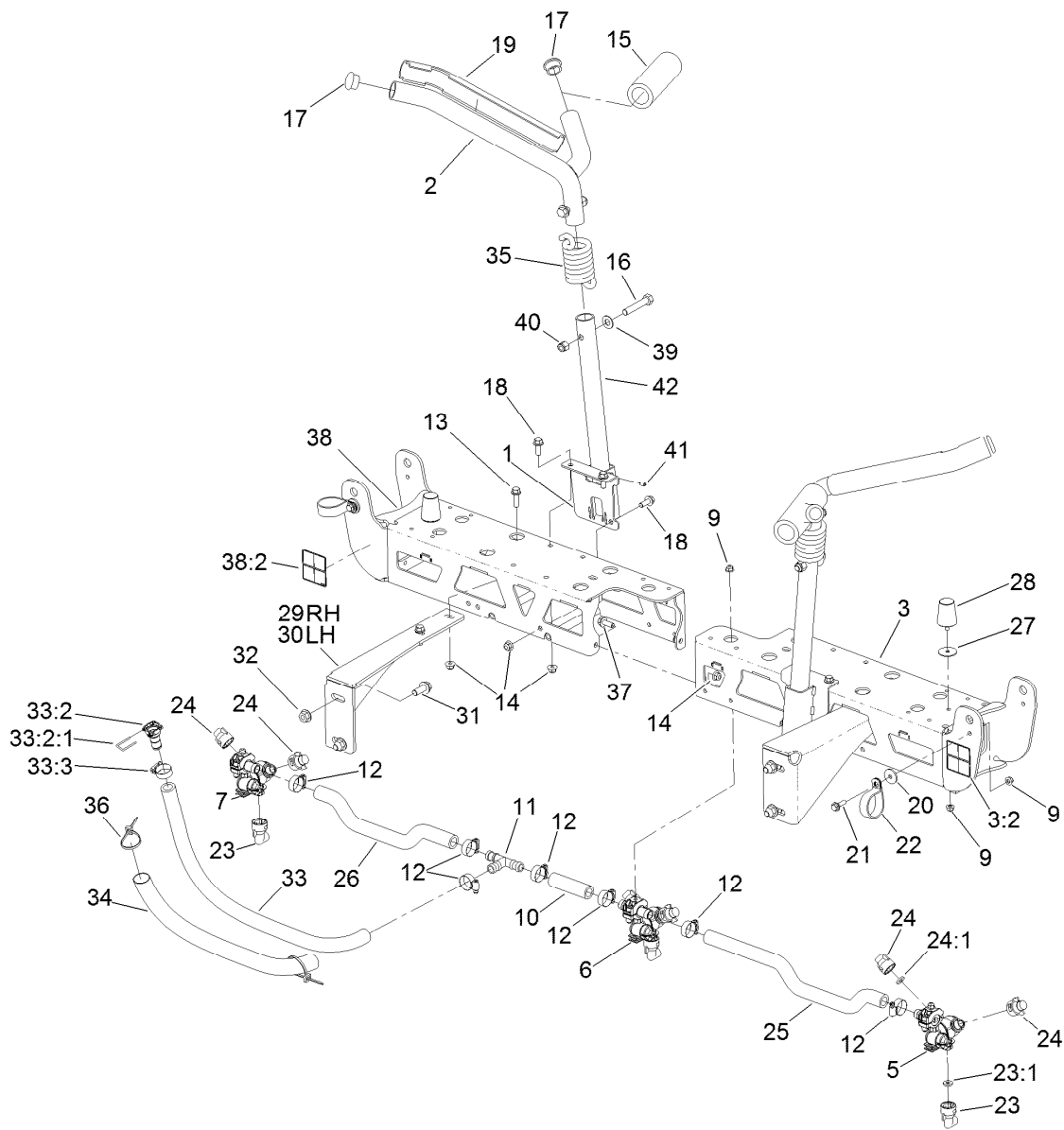
## Main Wiring Harness and Battery Assembly

| Ref. | Part Number | Qty. | Description                | Ref.  | Part Number | Qty. | Description                |
|------|-------------|------|----------------------------|-------|-------------|------|----------------------------|
| 1    | 99-7430     | 3    | Relay-Mini                 | 18:2  | 109-2407    | 1    | Insulator-Battery          |
| 2    | 99-7435     | 1    | Relay                      | 19    | 122-1438    | 1    | Harness-Wire, Mp1750       |
| 3    | 125-8067    | 1    | Plug-Plastic               | 19:14 | 94-6710     | 1    | Fuse-2 Amp                 |
| 4    | 117-2382    | 3    | Plug-Plastic               | 19:16 | 114241      | 3    | Fuse-Blade, 7.5 Amp        |
| 5    | 125-0908-0P | 1    | Base - Battery             | 19:17 | 218-578     | 1    | Fuse-Blade, 10 Amp         |
| 6    | 3234-11     | 2    | Screw-HHF                  | 19:18 | 109355      | 3    | Fuse-Blade, 15 Amp         |
| 7    | 105-4886    | 2    | Nut-Tinnerman              | 19:19 | 32180-043   | 2    | Resistor-120 Ohm           |
| 9    | 3256-23     | 1    | Washer-Plain               | 19:24 | 109103      | 1    | Fuse-Blade, 30 Amp         |
| 10   | 32128-25    | 1    | Nut-HF                     | 20    | 42862       | 1    | Block-Terminal, Ground     |
| 11   | 322-3       | 1    | Screw-HH                   | 21    | 108-9455    | 1    | Harness-Wire, Fusible Link |
| 12   | 106948      | 1    | Tray-Battery               | 22    | 144-6007    | 1    | Decal - Fuse Block         |
| 13   | 104-8162    | 1    | Battery                    | 23    | 3296-2      | 5    | Nut-Lock, NI               |
| 14   | 100-6434    | 1    | Rod-Hold Down, Battery     | 24    | 32105-13    | 5    | Screw-HWH                  |
| 15   | 100-6435    | 2    | Post-Battery               | 25    | 108-8657    | 1    | Harness-Wire, Seat         |
| 16   | 1-543792    | 2    | Wingnut                    | 26    | 3290-379    | 2    | Tie-Cable                  |
| 17   | 122-0137    | 1    | Cable-Battery, Negative    | 27    | 42863       | 1    | Strip-Jumper               |
| 18   | 109-7621    | 1    | Positive Battery Cable ASM | 28    | 104-8300    | 2    | Nut-HF, NI                 |
| 18:1 | 1-543393    | 1    | Insulator-Solenoid         | 29    | 3230-1      | 2    | Bolt-CARR                  |



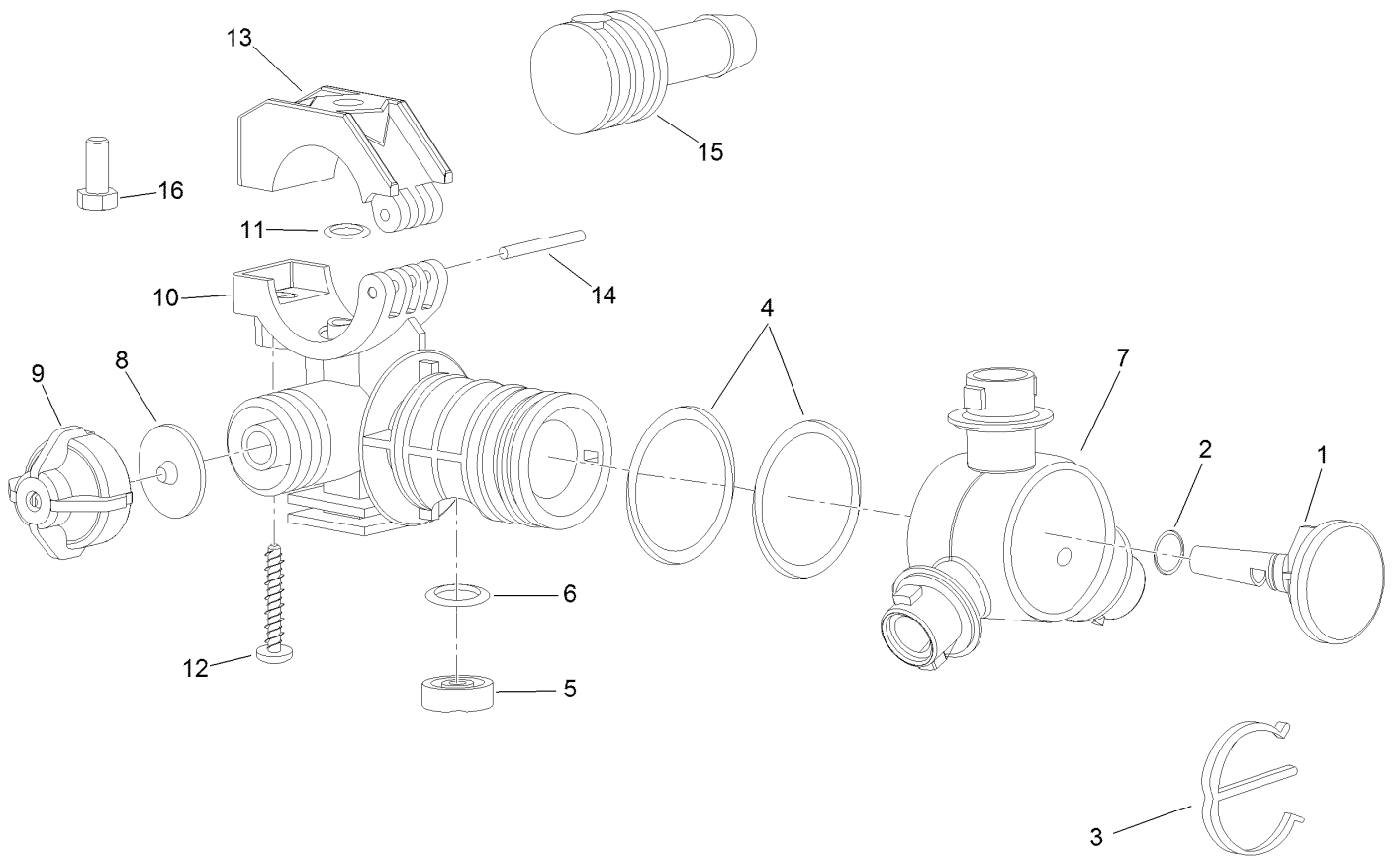
## Center Boom Mount Assembly

| Ref. | Part Number | Qty. | Description                 | Ref.   | Part Number | Qty. | Description            |
|------|-------------|------|-----------------------------|--------|-------------|------|------------------------|
| 1    | 144-6198-03 | 2    | Cradle-ASM, Lower [black]   | 22     | 114-9566    | 2    | Clamp-R                |
| 2    | 140-6355    | 2    | Cradle ASM-Upper            | 23     | 95-9186     | 3    | Cap                    |
| 3    | 136-0381    | 1    | Boom-LH                     | 23:1   | 40998       | 1    | Seat-Gasket            |
| 3:2  | 120-0617    | 2    | Decal-Warning, Pinch, Crush | 24     | 95-9187     | 6    | Cap-Blank              |
| 5    | 108-3725    | 1    | LH Single Body Turret ASM   | 24:1   | 40998       | 1    | Seat-Gasket            |
| 6    | 108-3727    | 1    | Double Turret Body ASM      | 25     | 108-3735    | 1    | Hose-Boom, Center (LH) |
| 7    | 108-3726    | 1    | RH Single Body Turret ASM   | 26     | 108-3718    | 1    | Hose-Boom, Center (RH) |
| 9    | 104-8300    | 7    | Nut-HF, NI                  | 27     | 3256-68     | 2    | Washer-Flat            |
| 10   | 108-3717    | 1    | Hose-Boom                   | 28     | 110-5070    | 2    | Bumper                 |
| 11   | 108-3439    | 1    | Tee                         | 29     | 130-8244-03 | 1    | Mount-Boom, RH         |
| 12   | 2412-129    | 7    | Clamp-Hose                  | 30     | 130-8245-03 | 1    | Mount-Boom, LH         |
| 13   | 110-5050    | 4    | Screw-HHF                   | 31     | 110-5057    | 4    | Capscrew-HHF           |
| 14   | 104-8301    | 12   | Nut-HF, NI                  | 32     | 108-3745    | 4    | Nut-HHF, Whiz          |
| 15   | 108-3457    | 2    | Spacer                      | 33     | 132-4323    | 1    | Hose-Boom, Center      |
| 16   | 3213-8      | 4    | Screw-HH                    | 33:2   | 127-9807    | 1    | Straight Fitting Kit   |
| 17   | 108-3489    | 4    | Cap-Tube                    | 33:2:1 | 133-0398    | 1    | Pin-Fork               |
| 18   | 110-5052    | 6    | Screw-HHF                   | 33:3   | 2412-129    | 1    | Clamp-Hose             |
| 19   | 108-3495    | 2    | Cover-Slide                 | 34     | 127-3923    | 1    | Conduit-Convolved      |
| 20   | 108-3743    | 2    | Washer                      | 35     | 144-6199    | 2    | Spring-Extension       |
| 21   | 108-3744    | 2    | Screw-Shoulder              | 36     | 3290-378    | 2    | Tie-Cable              |
|      |             |      |                             | 37     | 3234-42     | 2    | Screw-HHF              |



## Center Boom Mount Assembly (continued)

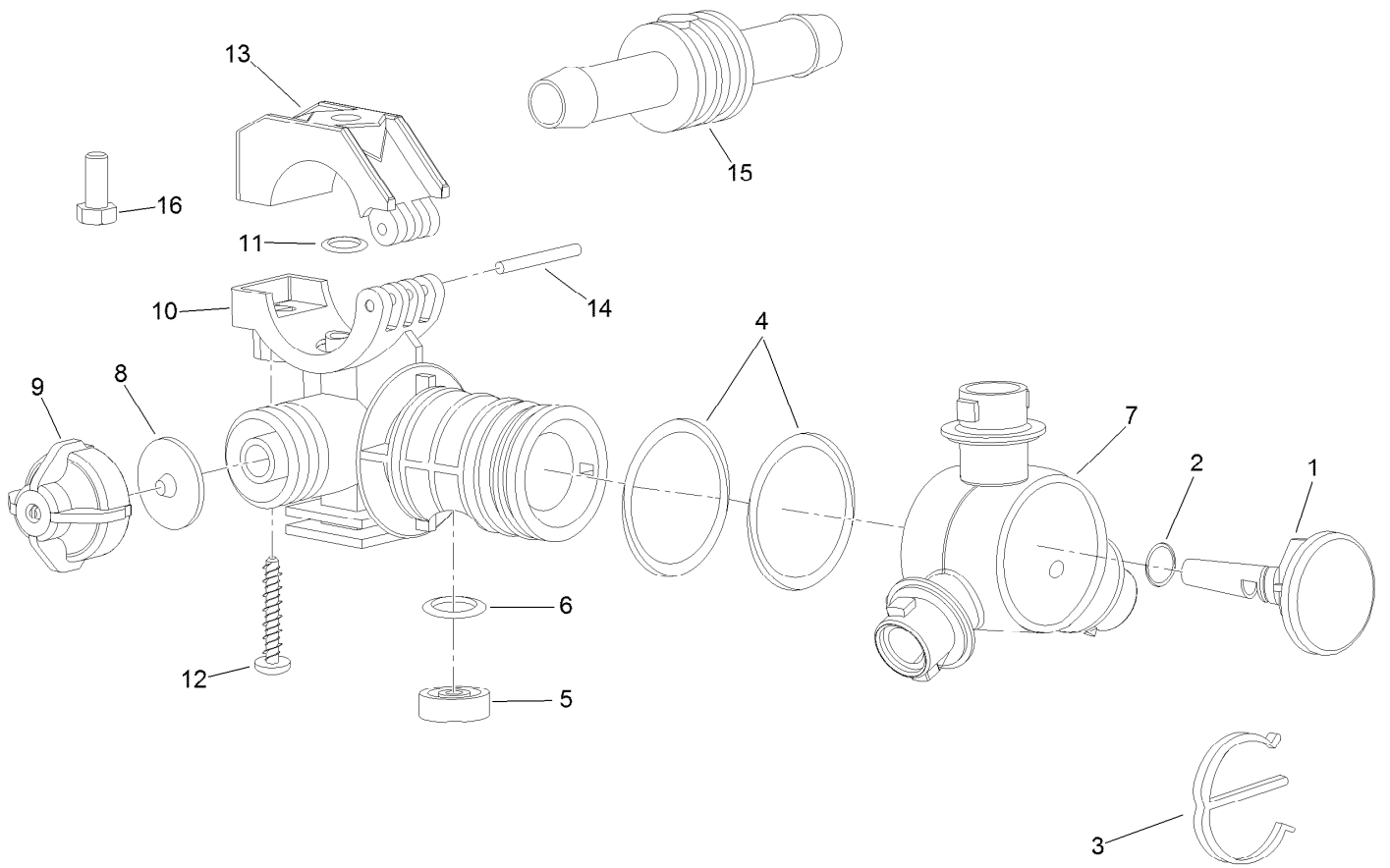
| <i>Ref.</i> | <i>Part Number</i> | <i>Qty.</i> | <i>Description</i>             | <i>Ref.</i> | <i>Part Number</i> | <i>Qty.</i> | <i>Description</i> |
|-------------|--------------------|-------------|--------------------------------|-------------|--------------------|-------------|--------------------|
| 38          | 136-0382           | 1           | Boom-RH                        | 40          | 3296-19            | 4           | Nut-Hex            |
| 38:2        | 120-0617           | 2           | Decal-Warning, Pinch,<br>Crush | 41          | 3246-4             | 4           | Screw-Set          |
| 39          | 110-6894           | 4           | Washer-Pivot                   | 42          | 144-6201-03        | 2           | Tube-Lower Cradle  |



## LH Single Turret Body Assembly No. 108-3725

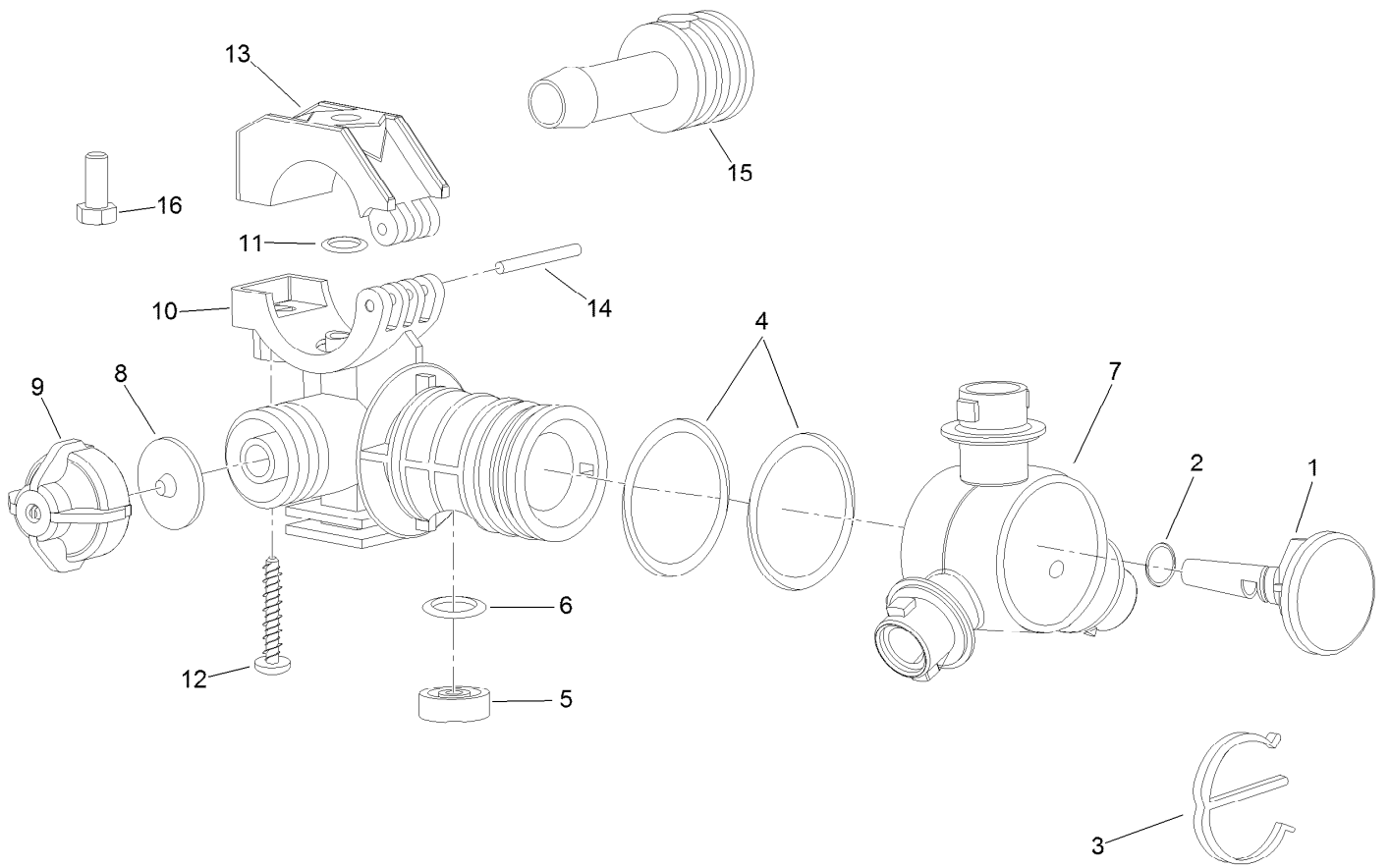
| <i>Ref.</i> | <i>Part Number</i> | <i>Qty.</i> | <i>Description</i> | <i>Ref.</i> | <i>Part Number</i> | <i>Qty.</i> | <i>Description</i> |
|-------------|--------------------|-------------|--------------------|-------------|--------------------|-------------|--------------------|
| 1           | 95-9200            | 1           | Plug               | 9           | 95-9193            | 1           | Cap-Diaphragm      |
| 2           | 95-9198            | 1           | O-Ring             | 10          | 95-9192            | 1           | Body-Split Eyelet  |
| 3           | 95-9197            | 1           | E-Clip             | 11          | 95-9191            | 1           | O-Ring             |
| 4           | 95-9199            | 2           | O-Ring             | 12          | 99-0811            | 1           | Screw-Clamp        |
| 5           | 108-3264           | 1           | Seal-Viton         | 13          | 99-0812            | 1           | Clamp-Upper        |
| 6           | 108-3265           | 1           | O-Ring-Viton       | 14          | 99-0814            | 1           | Pin-Pivot          |
| 7           | 95-9196            | 1           | Turret             | 15          | 95-9201            | 1           | Shank-Hose         |
| 8           | 41003              | 1           | Diaphragm          | 16          | 322-3              | 1           | Screw-HH           |





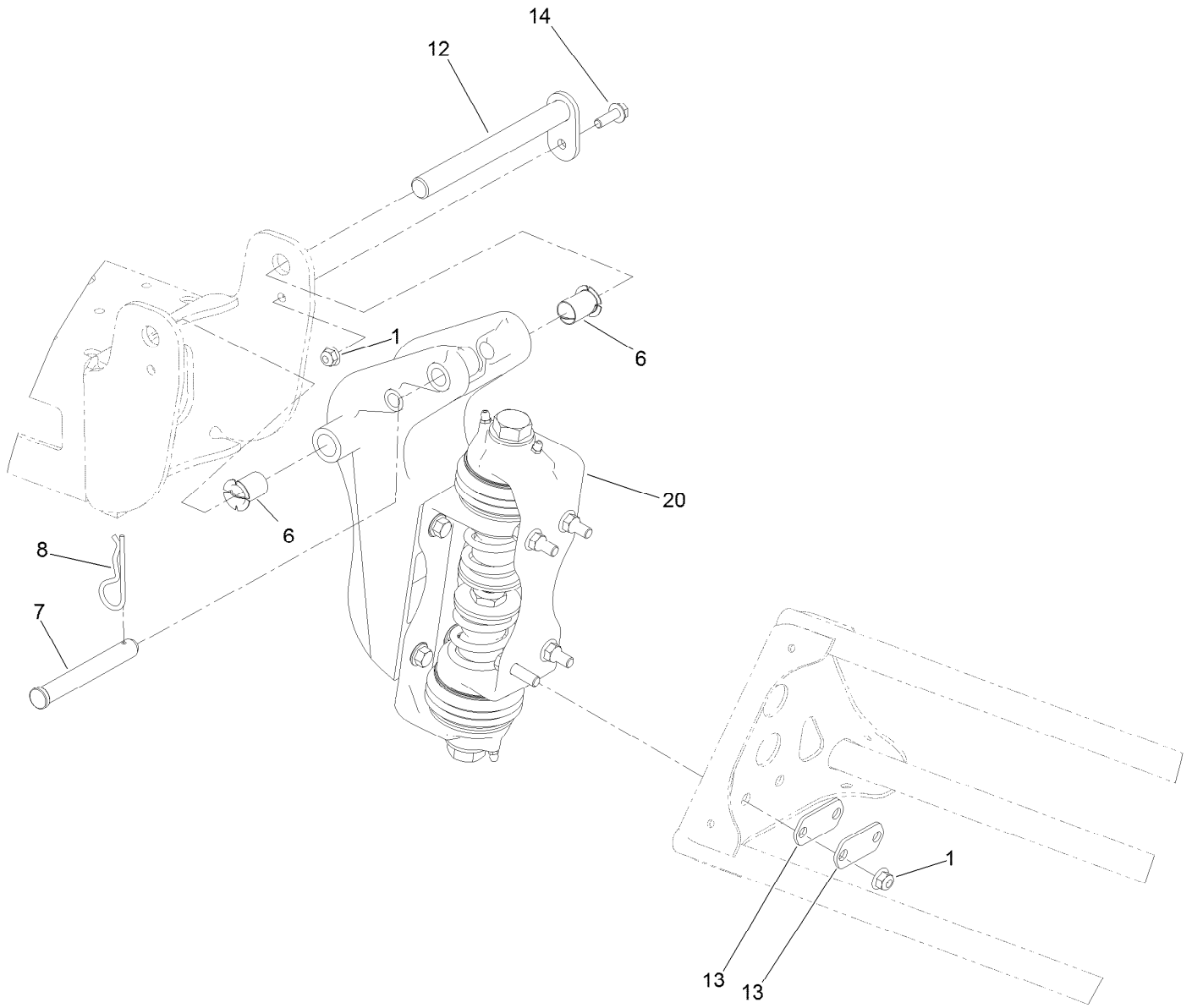
## Double Turret Body Assembly No. 108-3727

| <i>Ref.</i> | <i>Part Number</i> | <i>Qty.</i> | <i>Description</i> | <i>Ref.</i> | <i>Part Number</i> | <i>Qty.</i> | <i>Description</i> |
|-------------|--------------------|-------------|--------------------|-------------|--------------------|-------------|--------------------|
| 1           | 95-9200            | 1           | Plug               | 9           | 95-9193            | 1           | Cap-Diaphragm      |
| 2           | 95-9198            | 1           | O-Ring             | 10          | 95-9192            | 1           | Body-Split Eyelet  |
| 3           | 95-9197            | 1           | E-Clip             | 11          | 95-9191            | 1           | O-Ring             |
| 4           | 95-9199            | 2           | O-Ring             | 12          | 99-0811            | 1           | Screw-Clamp        |
| 5           | 108-3264           | 1           | Seal-Viton         | 13          | 99-0812            | 1           | Clamp-Upper        |
| 6           | 108-3265           | 1           | O-Ring-Viton       | 14          | 99-0814            | 1           | Pin-Pivot          |
| 7           | 95-9196            | 1           | Turret             | 15          | 95-9202            | 1           | Shank-Hose         |
| 8           | 41003              | 1           | Diaphragm          | 16          | 322-3              | 1           | Screw-HH           |



## RH Single Body Turret Assembly No. 108-3726

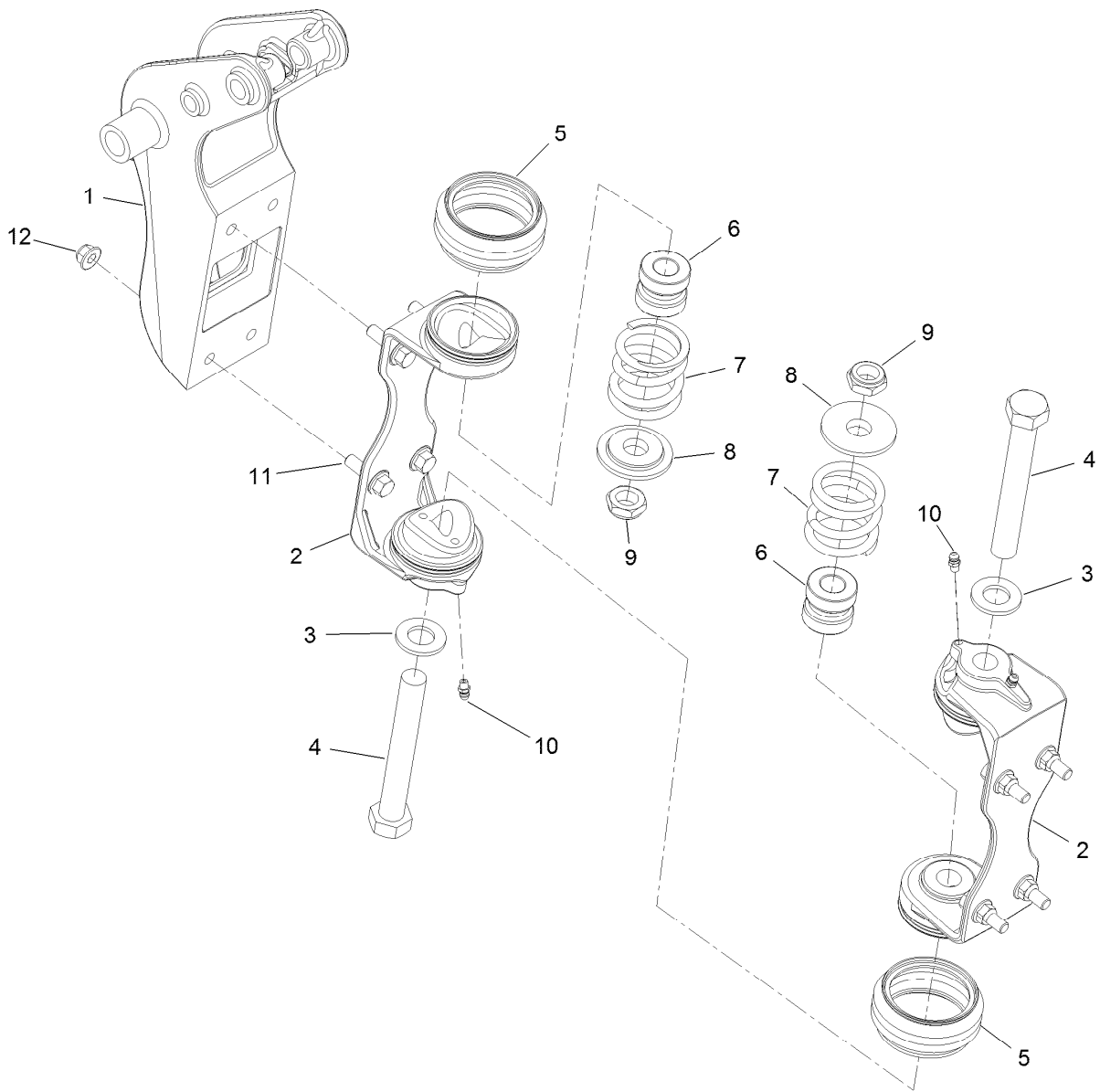
| <i>Ref.</i> | <i>Part Number</i> | <i>Qty.</i> | <i>Description</i> | <i>Ref.</i> | <i>Part Number</i> | <i>Qty.</i> | <i>Description</i> |
|-------------|--------------------|-------------|--------------------|-------------|--------------------|-------------|--------------------|
| 1           | 95-9200            | 1           | Plug               | 9           | 95-9193            | 1           | Cap-Diaphragm      |
| 2           | 95-9198            | 1           | O-Ring             | 10          | 95-9192            | 1           | Body-Split Eyelet  |
| 3           | 95-9197            | 1           | E-Clip             | 11          | 95-9191            | 1           | O-Ring             |
| 4           | 95-9199            | 2           | O-Ring             | 12          | 99-0811            | 1           | Screw-Clamp        |
| 5           | 108-3264           | 1           | Seal-Viton         | 13          | 99-0812            | 1           | Clamp-Upper        |
| 6           | 108-3265           | 1           | O-Ring-Viton       | 14          | 99-0814            | 1           | Pin-Pivot          |
| 7           | 95-9196            | 1           | Turret             | 15          | 95-9201            | 1           | Shank-Hose         |
| 8           | 41003              | 1           | Diaphragm          | 16          | 322-3              | 1           | Screw-HH           |



## Boom Pivot Assembly

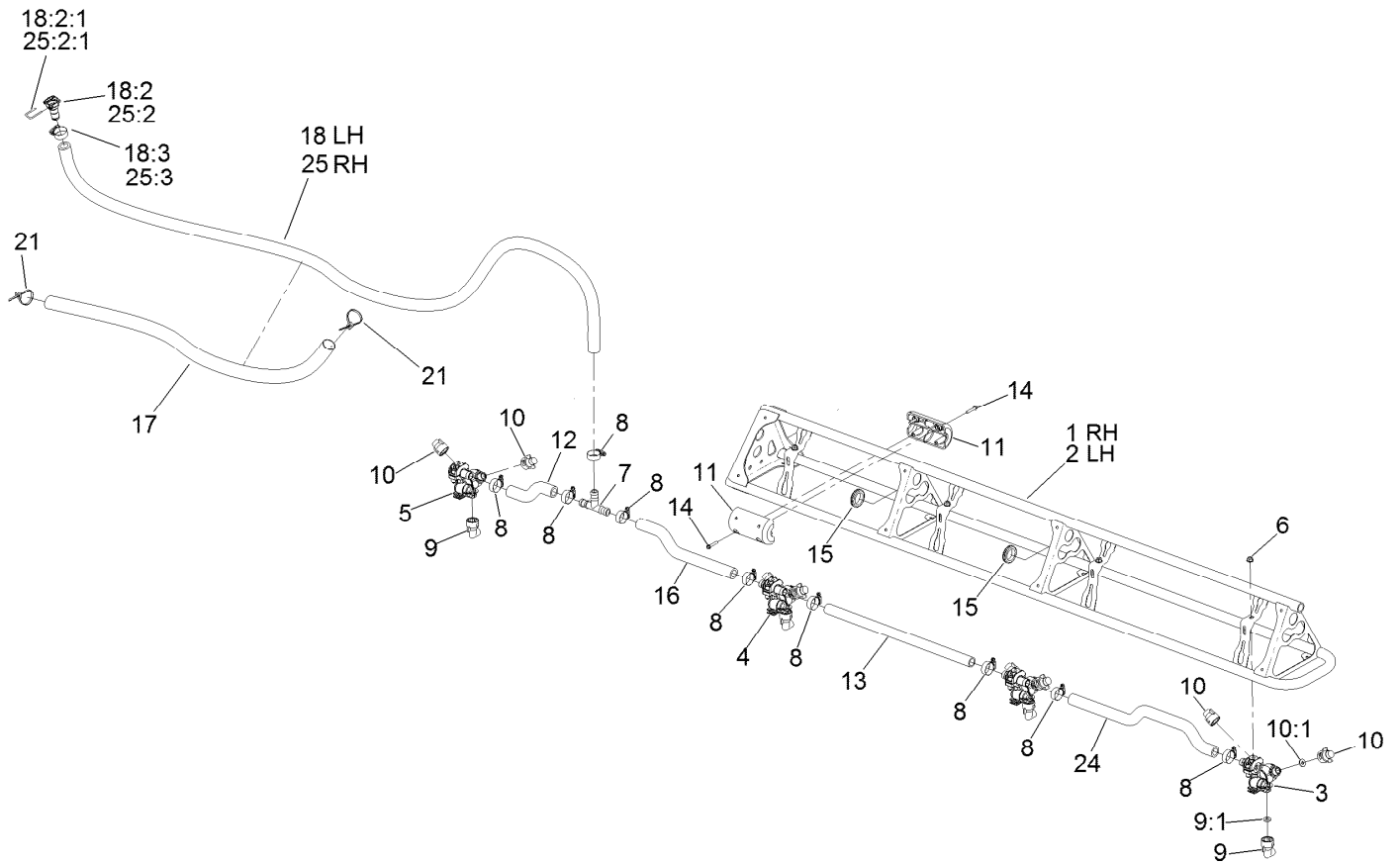
| <i>Ref.</i> | <i>Part Number</i> | <i>Qty.</i> | <i>Description</i>       |
|-------------|--------------------|-------------|--------------------------|
| 1           | 104-8300           | 2           | Nut-HF, NI               |
| 6           | 100-8541           | 4           | Bushing-A Arm            |
| 7           | 108-3436           | 2           | Pin-Clevis               |
| 8           | 3290-468           | 2           | Pin-Cotter               |
| 12          | 108-3419           | 2           | Pivot Pin ASM            |
| 13          | 108-3605           | 8           | Plate-Backing            |
| 14          | 108-3748           | 2           | Screw-HHF                |
| 20          |                    | 2           | Pivot Bracket Assembly ● |

● Not serviced separately



## Boom Pivot Assembly

| <i>Ref.</i> | <i>Part Number</i> | <i>Qty.</i> | <i>Description</i>     |
|-------------|--------------------|-------------|------------------------|
| 1           | 137-1673           | 1           | Bracket-Pivot          |
| 2           | 137-1674           | 2           | Hinge                  |
| 3           | 110-5054           | 2           | Washer-Flat            |
| 4           | 108-3738           | 2           | Screw-HH               |
| 5           | 108-3459           | 2           | Boot-Hinge             |
| 6           | 120-8541           | 2           | Dampener-Hinge         |
| 7           | 108-3440           | 2           | Spring-Breakaway, Boom |
| 8           | 108-3444           | 2           | Retainer-Spring        |
| 9           | 3296-15            | 2           | Nut-Lock, NI           |
| 10          | 302-5              | 4           | Fitting-Grease         |
| 11          | 110-5050           | 8           | Screw-HHF              |
| 12          | 104-8301           | 8           | Nut-HF, NI             |



## Left and Right Hand Boom Assembly

| Ref. | Part Number | Qty. | Description               | Ref.   | Part Number | Qty. | Description            |
|------|-------------|------|---------------------------|--------|-------------|------|------------------------|
| 1    | 108-3524-03 | 1    | Boom-RH                   | 14     | 119-9369    | 8    | Screw-HHF              |
| 2    | 108-3525-03 | 1    | Boom-LH                   | 15     | 240-3       | 4    | Grommet-Rubber         |
| 3    | 108-3725    | 2    | LH Single Body Turret ASM | 16     | 136-0436    | 2    | Hose-Formed            |
| 4    | 108-3727    | 4    | Double Turret Body ASM    | 17     | 107-8650    | 2    | Conduit-Convolutd      |
| 5    | 108-3726    | 2    | RH Single Body Turret ASM | 18     | 132-4322    | 1    | Hose-Boom              |
| 6    | 104-8300    | 8    | Nut-HF, NI                | 18:2   | 127-9807    | 1    | Straight Fitting Kit   |
| 7    | 108-3439    | 2    | Tee                       | 18:2:1 | 133-0398    | 1    | Pin-Fork               |
| 8    | 2412-129    | 18   | Clamp-Hose                | 18:3   | 2412-129    | 1    | Clamp-Hose             |
| 9    | 95-9186     | 8    | Cap                       | 21     | 3290-378    | 4    | Tie-Cable              |
| 9:1  | 40998       | 1    | Seat-Gasket               | 24     | 108-3735    | 2    | Hose-Boom, Center (LH) |
| 10   | 95-9187     | 16   | Cap-Blank                 | 25     | 132-4324    | 1    | Hose-Boom              |
| 10:1 | 40998       | 1    | Seat-Gasket               | 25:2   | 127-9807    | 1    | Straight Fitting Kit   |
| 11   | 119-9368    | 4    | Block Slide               | 25:2:1 | 133-0398    | 1    | Pin-Fork               |
| 12   | 136-0437    | 2    | Hose-Formed               | 25:3   | 2412-129    | 1    | Clamp-Hose             |
| 13   | 40506       | 2    | Hose-Jumper               |        |             |      |                        |

# Attachments and Accessories

## For 41188 Multi Pro 1750 Turf Sprayer

| <b>Product Name</b>  | <b>Model/Part</b> |
|--|-------------------|
| Premium ATF (Drum).....  | 108-1185          |
| Premium ATF (Pail) .....   | 108-1186          |
| Premium All Purpose Grease (Tube) .....                          | 108-1190          |
| License Plate Kit.....   | 120-8506          |
| Covered Boom Spring Upgrade Kit.....                             | 120-8508          |
| Premium Engine Oil 10w30 (55 Gallon Drum) .....                  | 121-6392          |
| Premium Engine Oil 10w30 (5 Gallon Pail) .....                   | 121-6393          |
| Lance Suction Assembly .....                                     | 127-9826          |
| Sonic Boom Finish Kit.....                                       | 130-8227          |
| Finishing Kit, Foam Marker for Multi Pro 1750 Turf Sprayer ..... | 136-0457          |
| Pump Head Kit.....   | 145-3399          |
| White Universal Sunshade .....                                   | 30669             |
| Red Universal Sunshade .....                                     | 30671             |
| Rear Work Light Kit.....   | 41010             |
| Single Nozzle Kit.....   | 41023             |
| Hand Spray Wand Kit .....  | 41118             |
| EU Compliance Kit.....   | 41155             |
| Pro Foam Concentrate (4 x 1 Gallon) .....                        | 41157             |
| Chemical Pre-Mix Kit .....                                       | 41158             |
| Electric Hose Reel Kit .....                                     | 41159             |
| Nozzalert - Mp Nozzle Flow System .....                          | 41166             |
| CE Kit .....   | 41202             |
| Tank Clean Rinse Kit .....                                       | 41208             |
| Ultra Sonic Boom Leveling Kit .....                              | 41219             |
| Foam Marker Kit .....  | 41249             |
| Drift Reduction Boom Shroud Kit.....                             | 41602             |
| Pro-Foam.....  | 41607             |
| TNL Reference Antenna Kit, MR-2 .....                            | 41635             |
| Geolink Global .....   | 41713             |
| Geolink Finish Kit MP 1750.....                                  | 41742             |
| Spark Arrestor Screen .....                                      | 94-8157           |

**Notes:**



**Count on it.**