



**Count on it.**

**Parts Catalog**

**Power Max<sup>®</sup> Heavy Duty 828  
OAE Snowthrower**

Model No. 38838—Serial No. 415000000 and Up



# Ordering Replacement Parts

To order replacement parts, please supply the part number, the quantity, and the description of each part desired.

## Understanding Reference Numbers

Each identified part in an illustration has a reference number. The reference number for a part also appears in the parts list, along with other information about the part.

This catalog uses two special reference number formats, one to indicate parts in a service assembly and another to indicate the quantity of a given part in an illustration.

## Service Assembly Reference Numbers

Parts in service assemblies have reference numbers in the form a:b. The a represents the reference number of the entire service assembly and the b represents a sequential number unique to each part within the service assembly.

For example, a wheel assembly might be identified by reference number 6, the tire by 6:1, the valve by 6:2, and the wheel by 6:3. When you order the assembly identified by reference number 6, you receive all parts identified by reference numbers 6:1, 6:2, and 6:3. However, you may also order any part individually. Reference numbers of this type appear in illustration and in parts lists.

## Reference Numbers Indicating Quantity

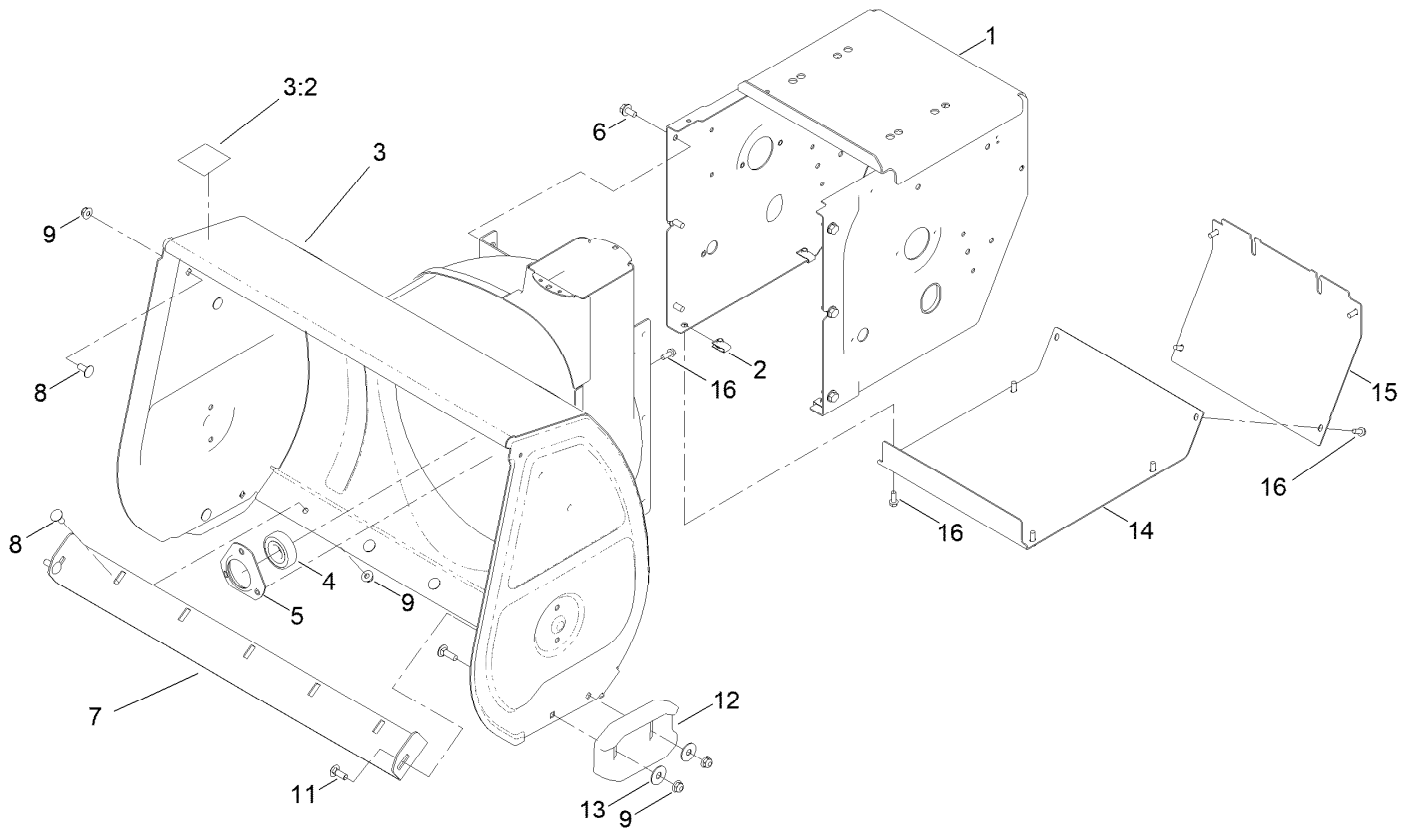
In an illustration, if a reference number indicates more than one part, the reference number has the form nX y. The n represents the quantity of the part, the X is the multiplication symbol, and the y represents the reference number.

For example, in an illustration, the reference number 2X 37 means that two of the parts identified by reference number 37 are indicated.

# Contents

|   |    |
|---|----|
| Housing Assembly .....                    | 4  |
| Auger Drive Assembly .....                | 6  |
| Gear Case Assembly .....                  | 8  |
| Engine Assembly .....                     | 10 |
| Fuel System and Carburetor Assembly ..... | 12 |
| Intake and Exhaust Assembly .....         | 14 |
| Ignition and Electrical Assembly .....    | 16 |
| Crankcase Assembly .....                  | 18 |
| Governor Assembly .....                   | 20 |
| Piston and Head Assembly .....            | 22 |
| Blower Housing and Shrouds .....          | 24 |
| Engine Decal Assembly .....               | 26 |
| Chute Assembly .....                      | 28 |
| Lower Chute Assembly .....                | 30 |
| Chute Control Assembly .....              | 32 |
| Traction Control Assembly .....           | 34 |
| Traction Drive Assembly .....             | 36 |
| Autoturn Drive Assembly .....             | 38 |
| Attachments and Accessories .....         | 40 |

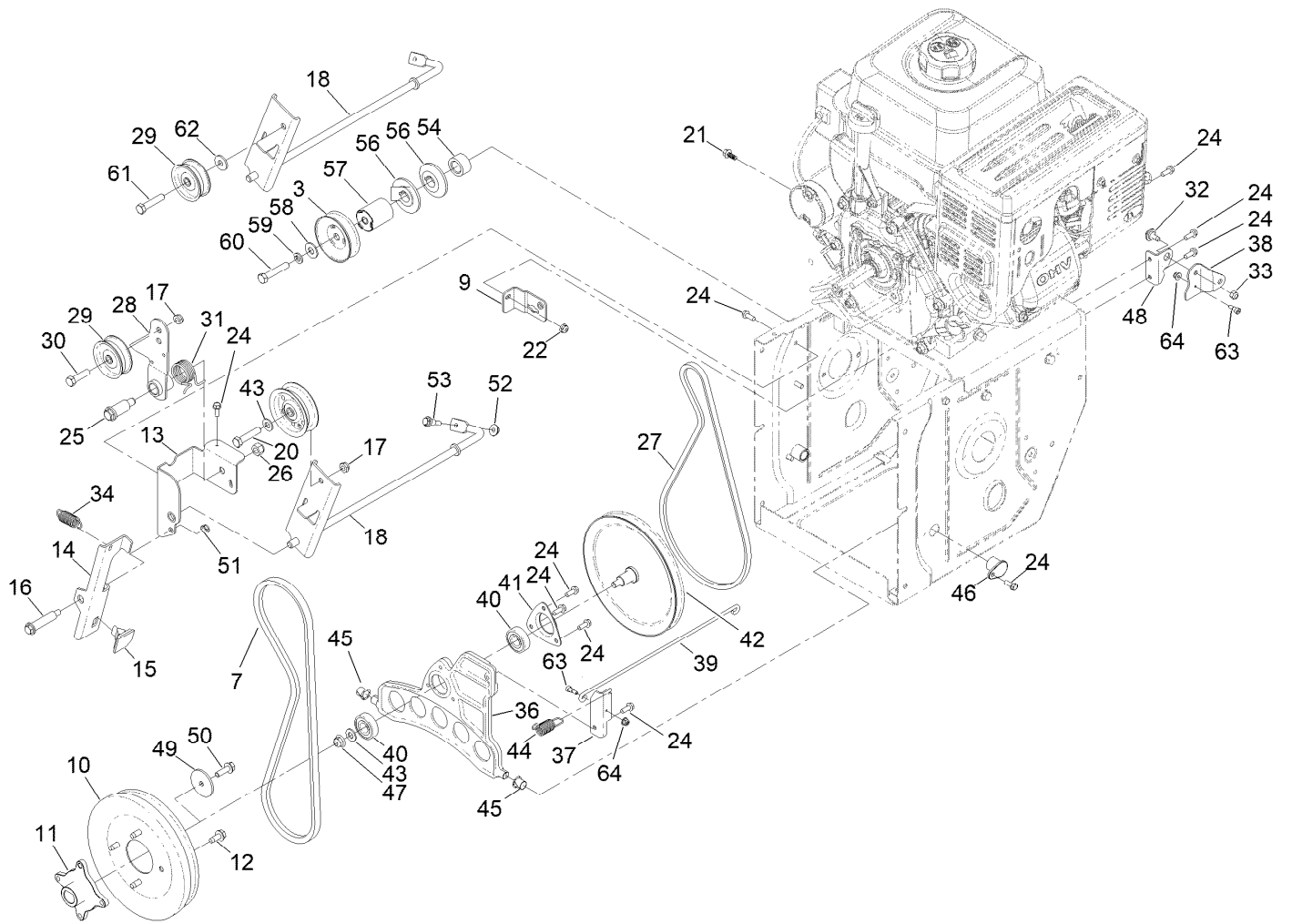
# Housing Assembly



## Housing Assembly (continued)

| <i>Ref.</i> | <i>Part Number</i> | <i>Qty.</i> | <i>Description</i>  | <i>Ref.</i> | <i>Part Number</i> | <i>Qty.</i> | <i>Description</i> |
|-------------|--------------------|-------------|---------------------|-------------|--------------------|-------------|--------------------|
| 1           | 136-6639-01        | 1           | Frame-Traction      | 8           | 137-3061           | 5           | Bolt-CARR          |
| 2           | 107069             | 8           | Clip                | 9           | 119-4041           | 9           | Nut-HF             |
| 3           | 139-1562           | 1           | Auger Housing ASM   | 11          | 137-3059           | 4           | Bolt-CARR          |
| 3:2         | 121-6817           | 1           | Decal-Danger, Auger | 12          | 106-4588-01        | 2           | Skid               |
| 4           | 136-6571           | 1           | Bearing-Ball        | 13          | 119-4150           | 4           | Washer-Flat        |
| 5           | 136-6573           | 1           | Retainer-Bearing    | 14          | 136-6650-01        | 1           | Cover-Bottom       |
| 6           | 32144-14           | 6           | Screw-HWHTF         | 15          | 136-6651-01        | 1           | Cover-Rear         |
| 7           | 136-6588-01        | 1           | Blade-Scraper       | 16          | 32144-85           | 11          | Screw-HWH Thd Form |

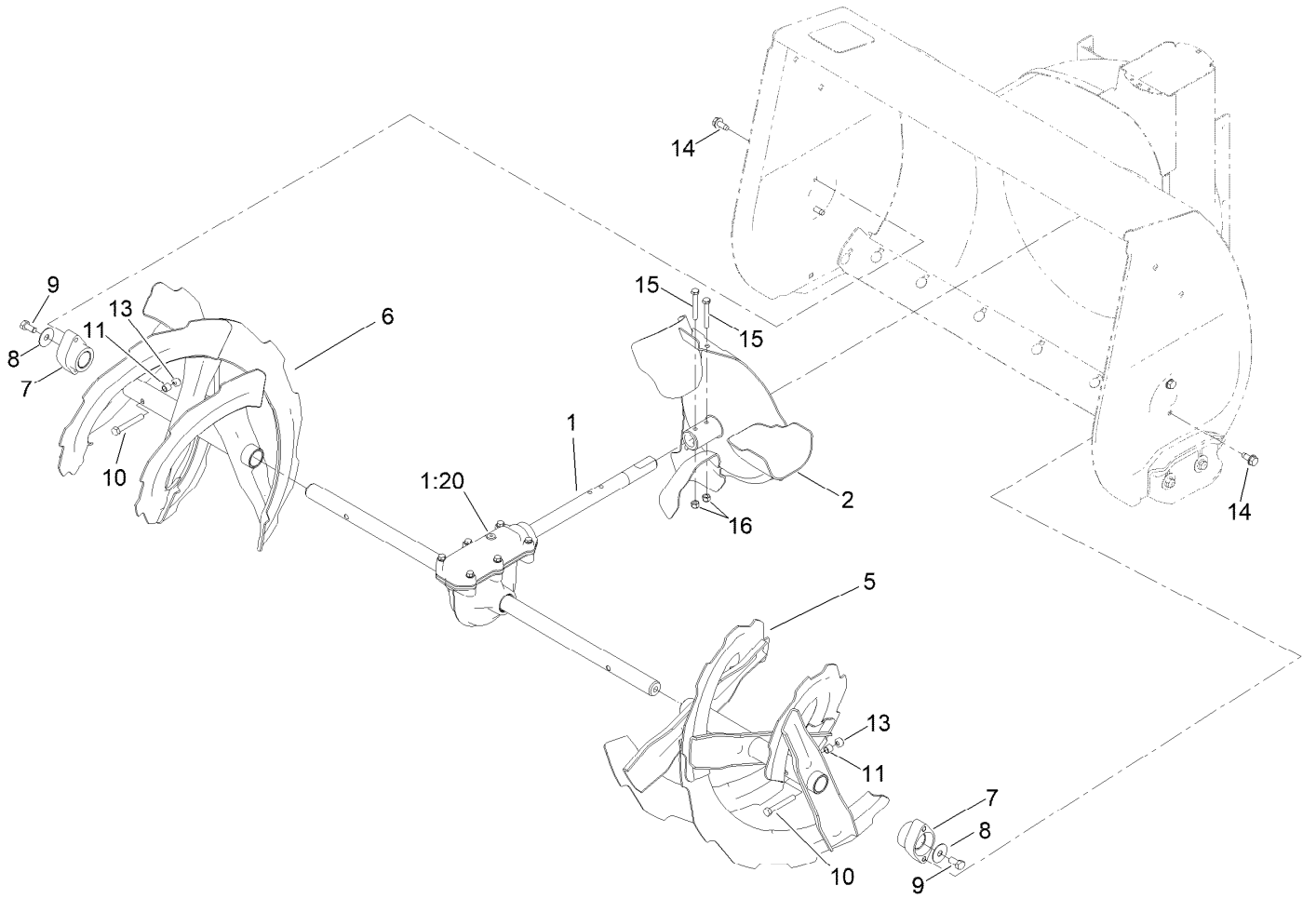
# Auger Drive Assembly



## Auger Drive Assembly (continued)

| <i>Ref.</i> | <i>Part Number</i> | <i>Qty.</i> | <i>Description</i>       | <i>Ref.</i> | <i>Part Number</i> | <i>Qty.</i> | <i>Description</i>      |
|-------------|--------------------|-------------|--------------------------|-------------|--------------------|-------------|-------------------------|
| 3           | 137-6179           | 1           | Pulley-Impeller          | 37          | 144-1621           | 1           | Bkt-Traction Plate      |
| 7           | 161-5972           | 1           | Belt-V                   | 38          | 144-1622           | 1           | Bellcrank-Drive         |
| 9           | 136-8654-03        | 1           | Bracket-Clutch, Impeller | 39          | 144-1613           | 1           | Link-Traction, HD       |
| 10          | 138-0717           | 1           | Pulley-Impeller          | 40          | 38-7820            | 2           | Bearing-Ball            |
| 11          | 136-6558           | 1           | Hub-Pulley               | 41          | 136-7124           | 1           | Retainer-Bearing        |
| 12          | 32144-70           | 4           | Screw-HWHTF              | 42          | 137-6154           | 1           | Pulley-Traction         |
| 13          | 136-8671-03        | 1           | Bracket-Brake, Clutch    | 43          | 115-1166           | 1           | Washer-Plain            |
| 14          | 136-6527           | 1           | Brake Arm                | 44          | 137-6189           | 1           | Spring-Extension        |
| 15          | 66-8060            | 1           | Pad-Brake                | 45          | 256-257            | 2           | Bushing-Nyliner         |
| 16          | 136-7199           | 1           | Bolt-Shoulder            | 46          | 120-7156           | 2           | Bushing-Plate, Traction |
| 17          | 121-4600           | 2           | Nut-Hex                  | 47          | 119-4042           | 1           | Nut-HF, NI              |
| 18          | 145-0670           | 1           | Arm-Clutch, Impeller     | 48          | 136-6654           | 1           | Bracket-Bellcrank       |
| 20          | 138-0722           | 1           | Screw-HH                 | 49          | 137-3121           | 1           | Washer-Plain            |
| 21          | 137-3111           | 1           | Screw-HHF                | 50          | 115-5142           | 1           | Screw-HHF               |
| 22          | 137-3005           | 1           | Nut-HF                   | 51          | 137-3089           | 1           | Nut-Hex                 |
| 24          | 32144-85           | 12          | Screw-HWH Thd Form       | 52          | 137-3016           | 1           | Nut-HF                  |
| 25          | 136-7116           | 1           | Bolt-Shoulder            | 53          | 104-0858           | 1           | Bolt-Shoulder           |
| 26          | 137-3095           | 1           | Nut-Hex                  | 54          | 144-1242           | 1           | Spacer                  |
| 27          | 109-7299           | 1           | Belt,3L P21 Drive        | 56          | 144-1240           | 2           | Sheave-Traction         |
| 28          | 136-7186           | 1           | Arm-Idler, Traction      | 57          | 144-1241           | 1           | Spacer-Pulley           |
| 29          | 3-4244             | 2           | Pulley-Idler             | 58          | 137-3078           | 1           | Washer-Plain            |
| 30          | 137-3065           | 1           | Screw-HH                 | 59          | 3253-21            | 1           | Washer-Lock             |
| 31          | 120-3060           | 1           | Spring-Torsion           | 60          | 120-2302           | 1           | Screw-HH                |
| 32          | 92-9698            | 1           | Screw-Shoulder           | 61          | 138-0722           | 1           | Screw-HH                |
| 33          | 137-3094           | 1           | Nut-Hex                  | 62          | 139-2632           | 1           | Washer-Hardened         |
| 34          | 145-0675           | 1           | Spring-Extension         | 63          | 94-9422            | 2           | Screw-Shoulder          |
| 36          | 136-6689           | 1           | Plate-Friction, Wheel    | 64          | 138-0719           | 2           | Nut-HF                  |

# Gear Case Assembly

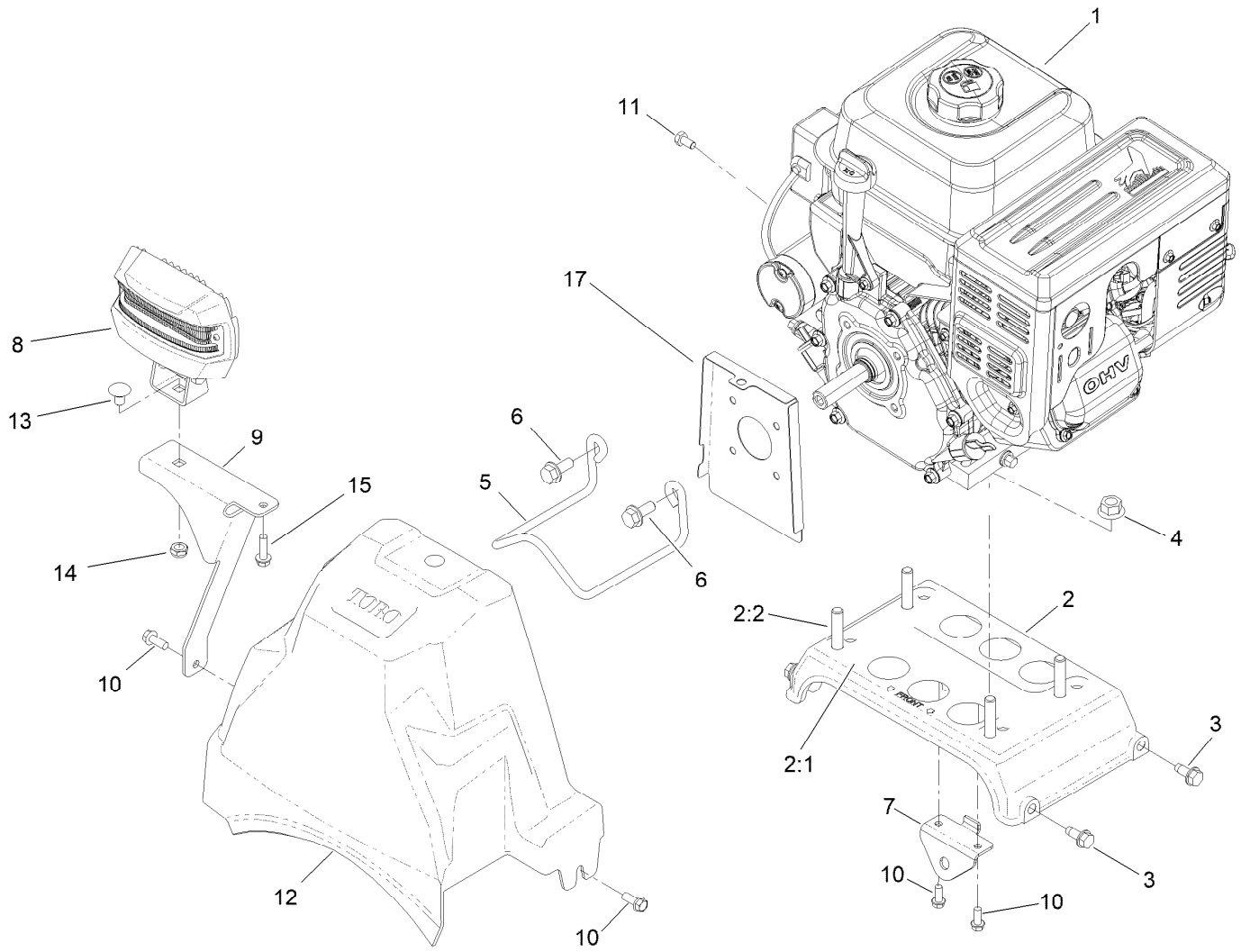




## Gear Case Assembly (continued)

| <i>Ref.</i> | <i>Part Number</i> | <i>Qty.</i> | <i>Description</i> | <i>Ref.</i> | <i>Part Number</i> | <i>Qty.</i> | <i>Description</i> |
|-------------|--------------------|-------------|--------------------|-------------|--------------------|-------------|--------------------|
| 1           | 136-6549           | 1           | Auger Gearcase ASM | 9           | 137-3066           | 2           | Screw-HH           |
| 1:20        | 138-3629           | 1           | Plug-Oil           | 10          | 120-9738           | 2           | Screw-HH           |
| 2           | 136-6570-03        | 1           | Impeller           | 11          | 136-7148           | 2           | Spacer-Grommet     |
| 5           | 136-6600-03        | 1           | Auger-LH           | 13          | 119-4038           | 2           | Nut-Hex            |
| 6           | 136-6601-03        | 1           | Auger-RH           | 14          | 32144-70           | 4           | Screw-HWHTF        |
| 7           | 106-4570           | 2           | Bearing-Auger      | 15          | 137-3032           | 2           | Screw-HH           |
| 8           | 3-0750             | 2           | Washer             | 16          | 137-3088           | 2           | Nut-Hex            |

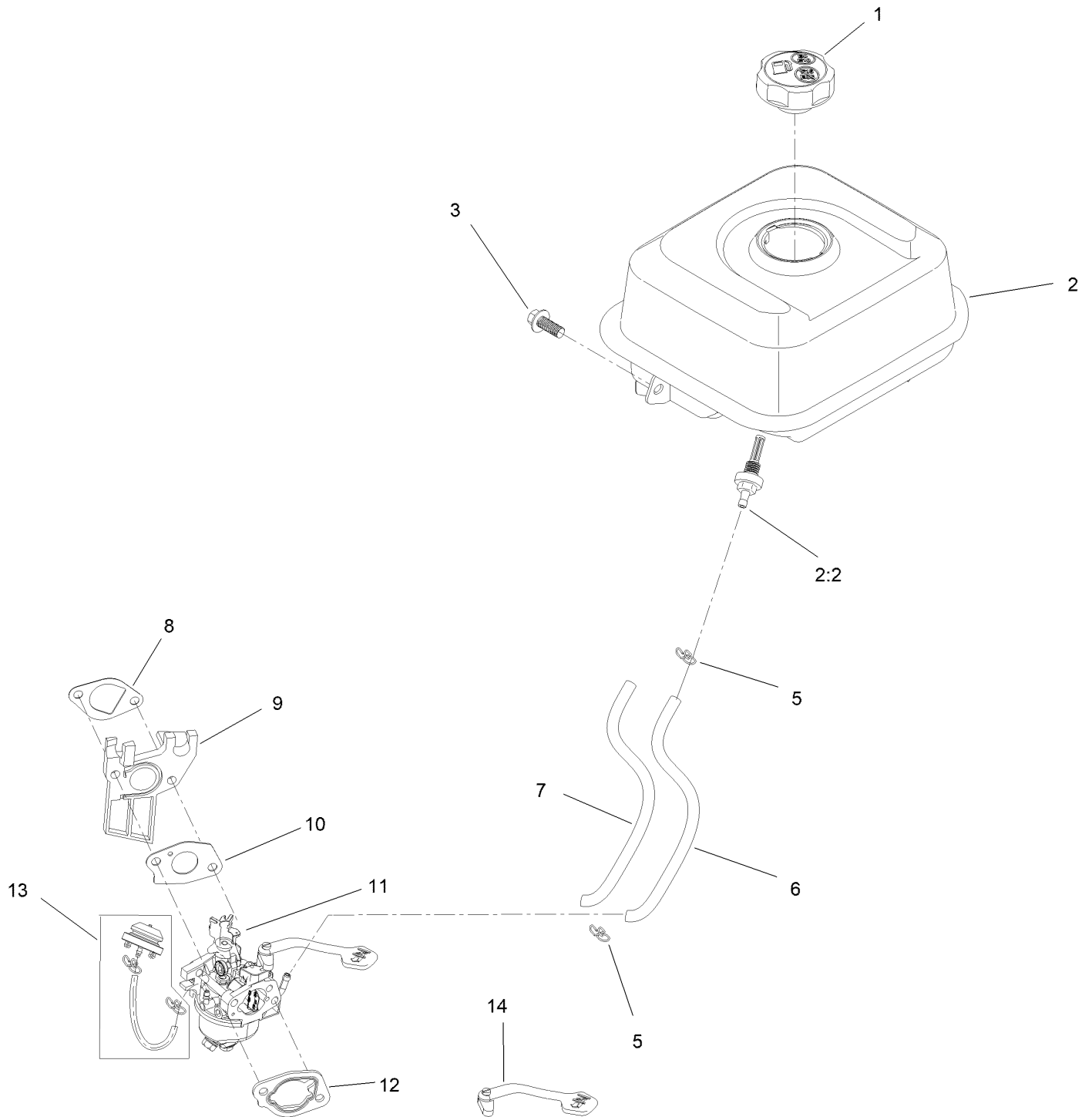
# Engine Assembly



## Engine Assembly (continued)

| <i>Ref.</i> | <i>Part Number</i> | <i>Qty.</i> | <i>Description</i>              | <i>Ref.</i> | <i>Part Number</i> | <i>Qty.</i> | <i>Description</i>  |
|-------------|--------------------|-------------|---------------------------------|-------------|--------------------|-------------|---------------------|
| 1           | 147-7057           | 1           | Engine-G250Fds-1                | 8           | 138-0670           | 1           | LED Light ASM       |
| 2           | 144-1625           | 1           | Engine Plate ASM (G250)         | 9           | 138-0683-03        | 1           | Bracket-Light       |
| 2:1         | 144-1626           | 1           | Plate-Engine                    | 10          | 32144-85           | 2           | Screw-HWH Thd Form  |
| 2:2         | 136-7178           | 4           | Stud-Press 95/16-18 X<br>1.625) | 11          | 121-4615           | 1           | Screw-HH            |
| 3           | 32144-70           | 4           | Screw-HWHTF                     | 12          | 136-6606           | 1           | Cover-Belt          |
| 4           | 32128-20           | 4           | Nut-HF                          | 13          | 3230-19            | 1           | Bolt-CARR           |
| 5           | 144-2816           | 1           | Guide-Belt                      | 14          | 137-3089           | 1           | Nut-Hex             |
| 6           | 138-0690           | 2           | Screw-HH                        | 15          | 137-3099           | 1           | Screw-Plastite, HWH |
| 7           | 136-6644-03        | 1           | Bracket-Control, Traction       | 17          | 140-7945-03        | 1           | Cover-Crank         |

# Fuel System and Carburetor Assembly

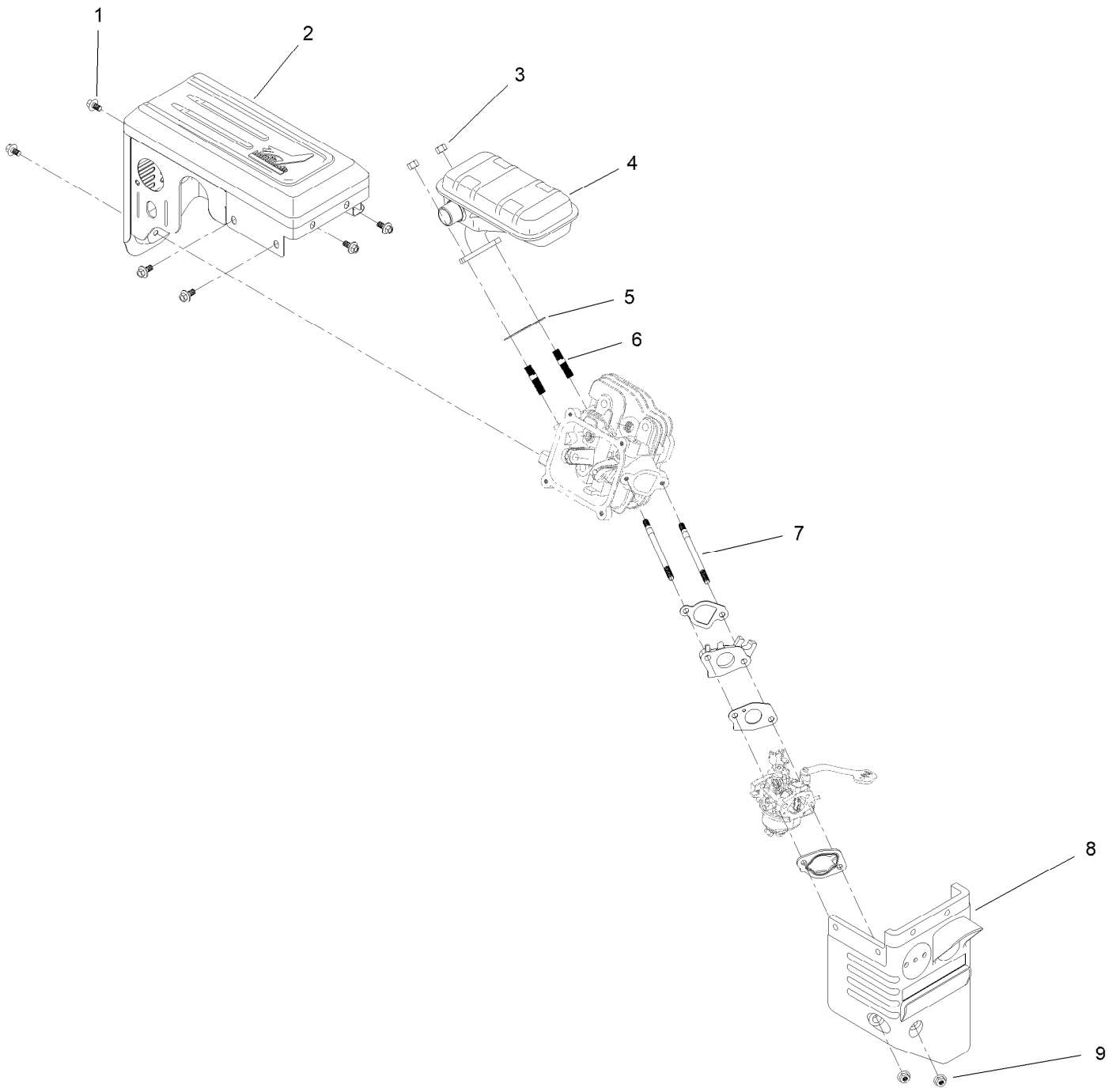


## Fuel System and Carburetor Assembly (continued)

| <i>Ref.</i> | <i>Part Number</i> | <i>Qty.</i> | <i>Description</i>       | <i>Ref.</i> | <i>Part Number</i> | <i>Qty.</i> | <i>Description</i>         |
|-------------|--------------------|-------------|--------------------------|-------------|--------------------|-------------|----------------------------|
| 1           | 133-9823           | 1           | Cap-Fuel                 | 9           | 121-0077           | 1           | Insulator-Carburetor       |
| 2           | 127-9497           | 1           | Fuel Tank And Filter ASM | 10          | 121-0078           | 1           | Gasket-Carburetor          |
| 2:2         | 127-9065           | 1           | Filter-Fuel              | 11          | 127-9111           | 1           | Carburetor ASM             |
| 3           | 121-0294           | 1           | Screw-HHF                | 12          | 121-0080           | 1           | Gasket-Carburetor          |
| 5           | 147-7077           | 2           | Clip-Hose                | 13          | 127-9079           | 1           | Primer Kit                 |
| 6           | 147-7085           | 1           | Hose-Fuel                | 14          | 147-7095           | 1           | Lever-Choke                |
| 7           | 147-7088           | 1           | Sleeve-Abrasion          | 99          | 127-9301           | 1           | High Altitude Kit - G210 ● |
| 8           | 121-0076           | 1           | Gasket-Carburetor        |             |                    |             |                            |

● Not illustrated

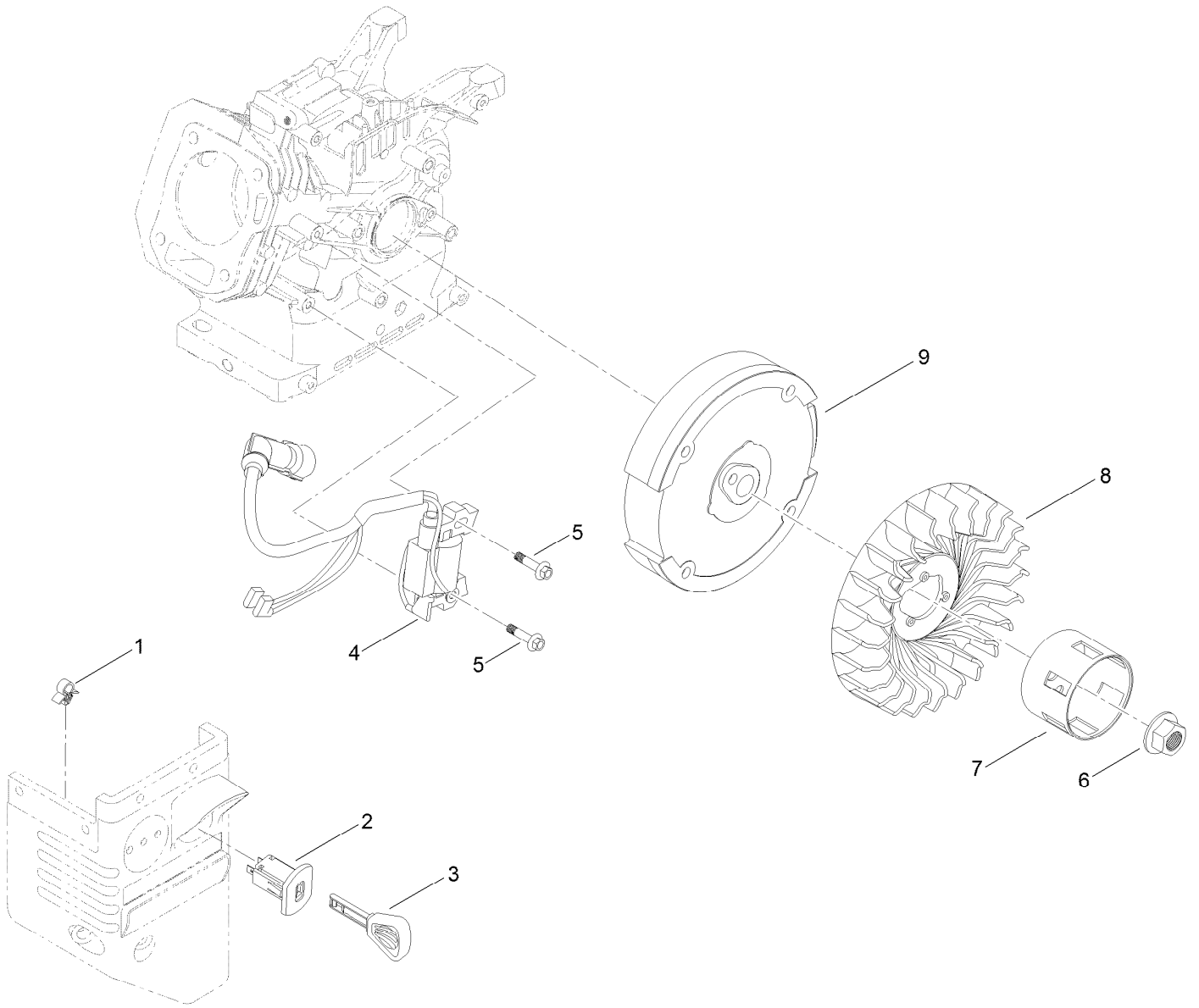
# Intake and Exhaust Assembly



## Intake and Exhaust Assembly (continued)

| <i>Ref.</i> | <i>Part Number</i> | <i>Qty.</i> | <i>Description</i> | <i>Ref.</i> | <i>Part Number</i> | <i>Qty.</i> | <i>Description</i> |
|-------------|--------------------|-------------|--------------------|-------------|--------------------|-------------|--------------------|
| 1           | 121-0294           | 6           | Screw-HHF          | 6           | 121-0464           | 2           | Stud-Exhaust       |
| 2           | 127-9491           | 1           | Muffler Cover ASM  | 7           | 121-4112           | 2           | Stud-Intake        |
| 3           | 121-0199           | 2           | Nut-HH             | 8           | 127-9112           | 1           | Box-Heater         |
| 4           | 127-9490           | 1           | Muffler ASM        | 9           | 121-0308           | 2           | Nut-Flange         |
| 5           | 133-1539           | 1           | Gasket-Exhaust     |             |                    |             |                    |

# Ignition and Electrical Assembly

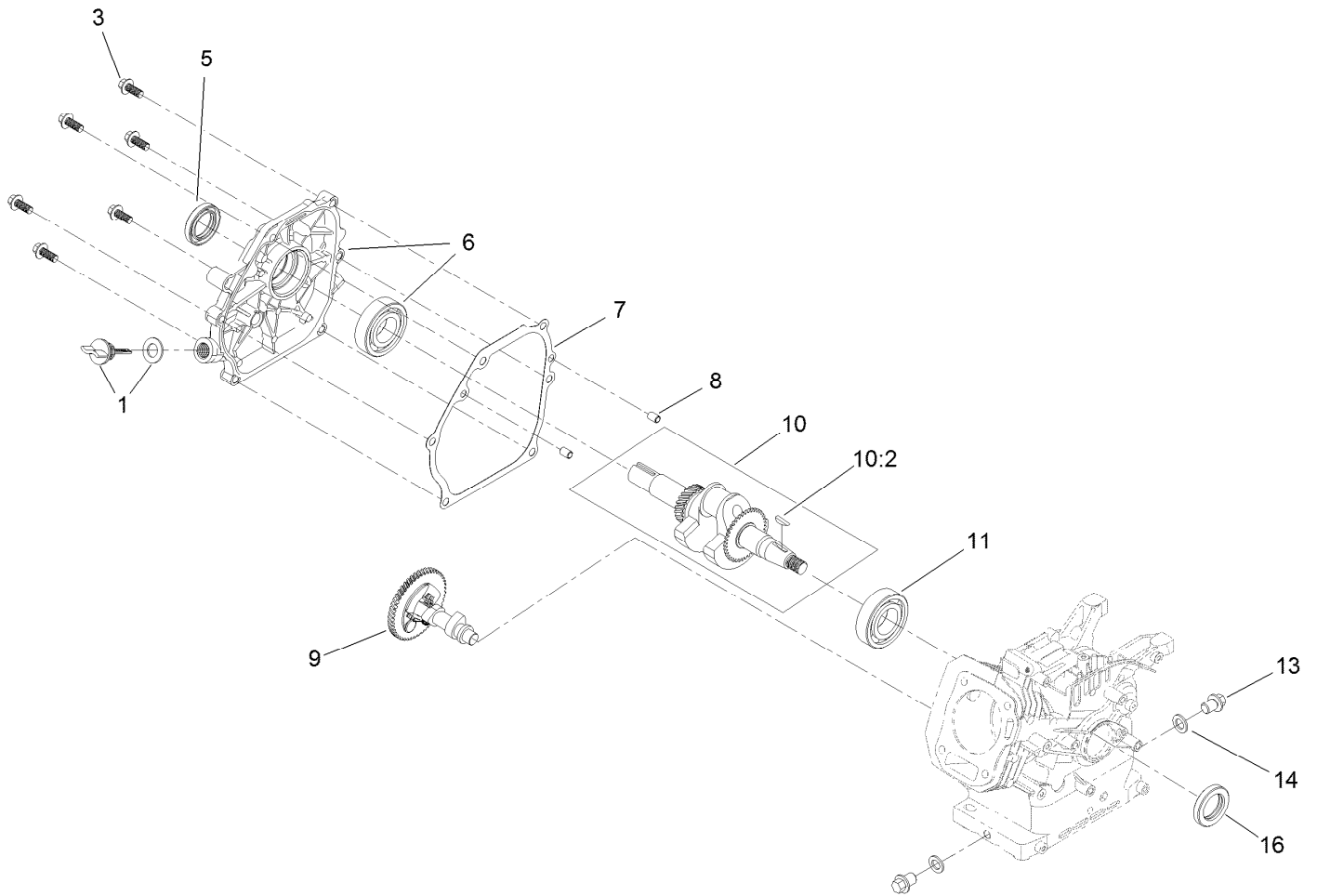




## Ignition and Electrical Assembly (continued)

| <i>Ref.</i> | <i>Part Number</i> | <i>Qty.</i> | <i>Description</i> | <i>Ref.</i> | <i>Part Number</i> | <i>Qty.</i> | <i>Description</i> |
|-------------|--------------------|-------------|--------------------|-------------|--------------------|-------------|--------------------|
| 1           | 121-0326           | 1           | Clip               | 6           | 121-0047           | 1           | Nut-Flange         |
| 2           | 121-0283           | 1           | Switch-Key         | 7           | 127-9106           | 1           | Cup-Starter        |
| 3           | 117-7728           | 1           | Key                | 8           | 127-9002           | 1           | Fan                |
| 4           | 136-7769           | 1           | Ignition Coil ASM  | 9           | 127-9003           | 1           | Flywheel-Recoil    |
| 5           | 121-0097           | 2           | Screw-HHF          |             |                    |             |                    |

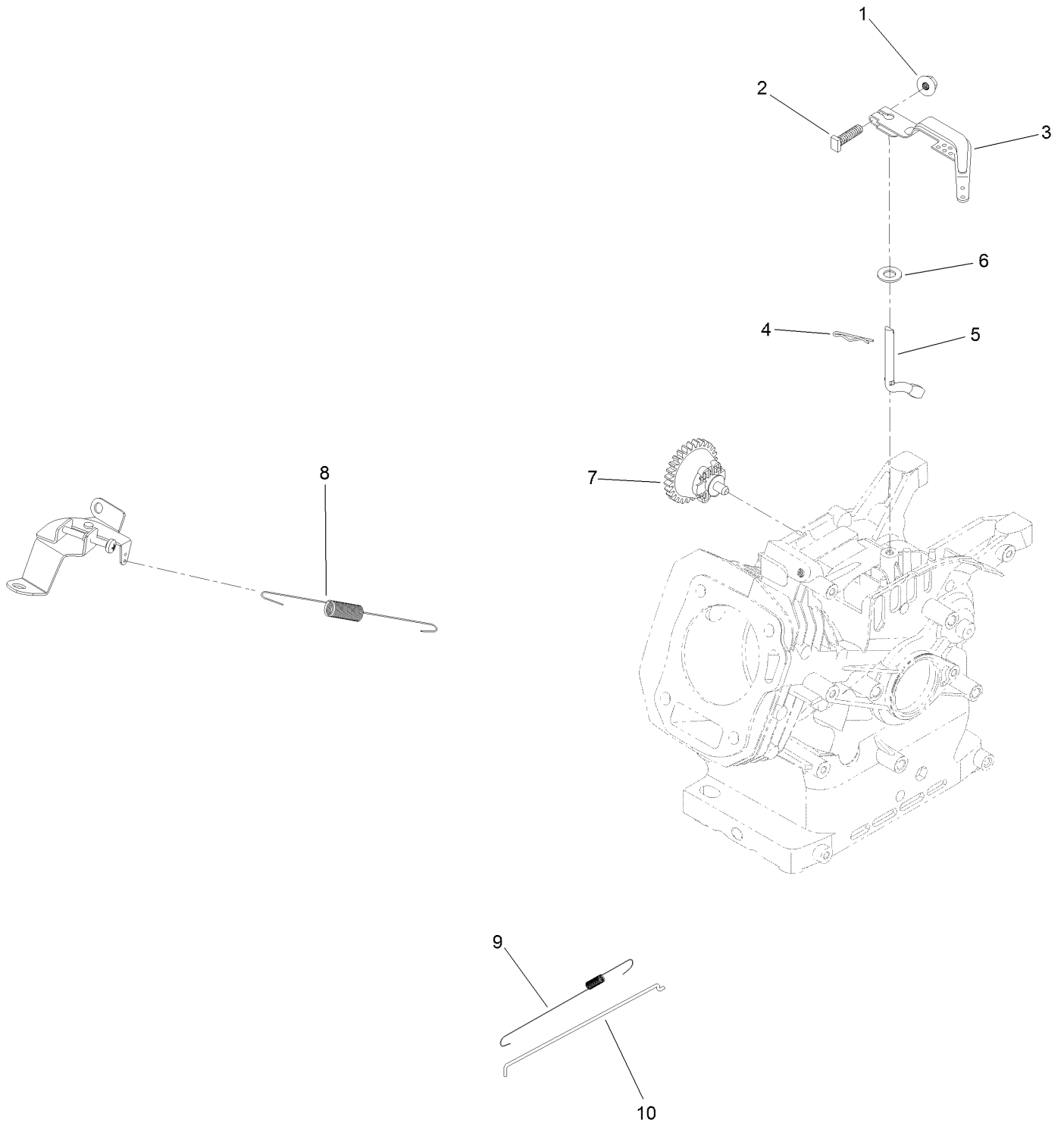
# Crankcase Assembly



## Crankcase Assembly (continued)

| <i>Ref.</i> | <i>Part Number</i> | <i>Qty.</i> | <i>Description</i>      | <i>Ref.</i> | <i>Part Number</i> | <i>Qty.</i> | <i>Description</i> |
|-------------|--------------------|-------------|-------------------------|-------------|--------------------|-------------|--------------------|
| 1           | 127-9374           | 1           | Dipstick And O-Ring Kit | 10          | 121-4292           | 1           | Crankshaft ASM     |
| 3           | 121-4114           | 6           | Screw-HHF               | 10:2        | 120-4320           | 1           | Key-Woodruff       |
| 5           | 121-0209           | 1           | Seal-Oil                | 11          | 121-0056           | 1           | Bearing-Ball       |
| 6           | 139-0693           | 1           | Crankcase Cover ASM     | 13          | 121-0030           | 2           | Screw-HHF          |
| 7           | 121-0105           | 1           | Gasket-Cover, Crankcase | 14          | 121-0048           | 2           | Washer-Plain       |
| 8           | 121-0054           | 2           | Pin-Dowel               | 16          | 133-9864           | 1           | Seal-Oil           |
| 9           | 139-0733           | 1           | Camshaft                |             |                    |             |                    |

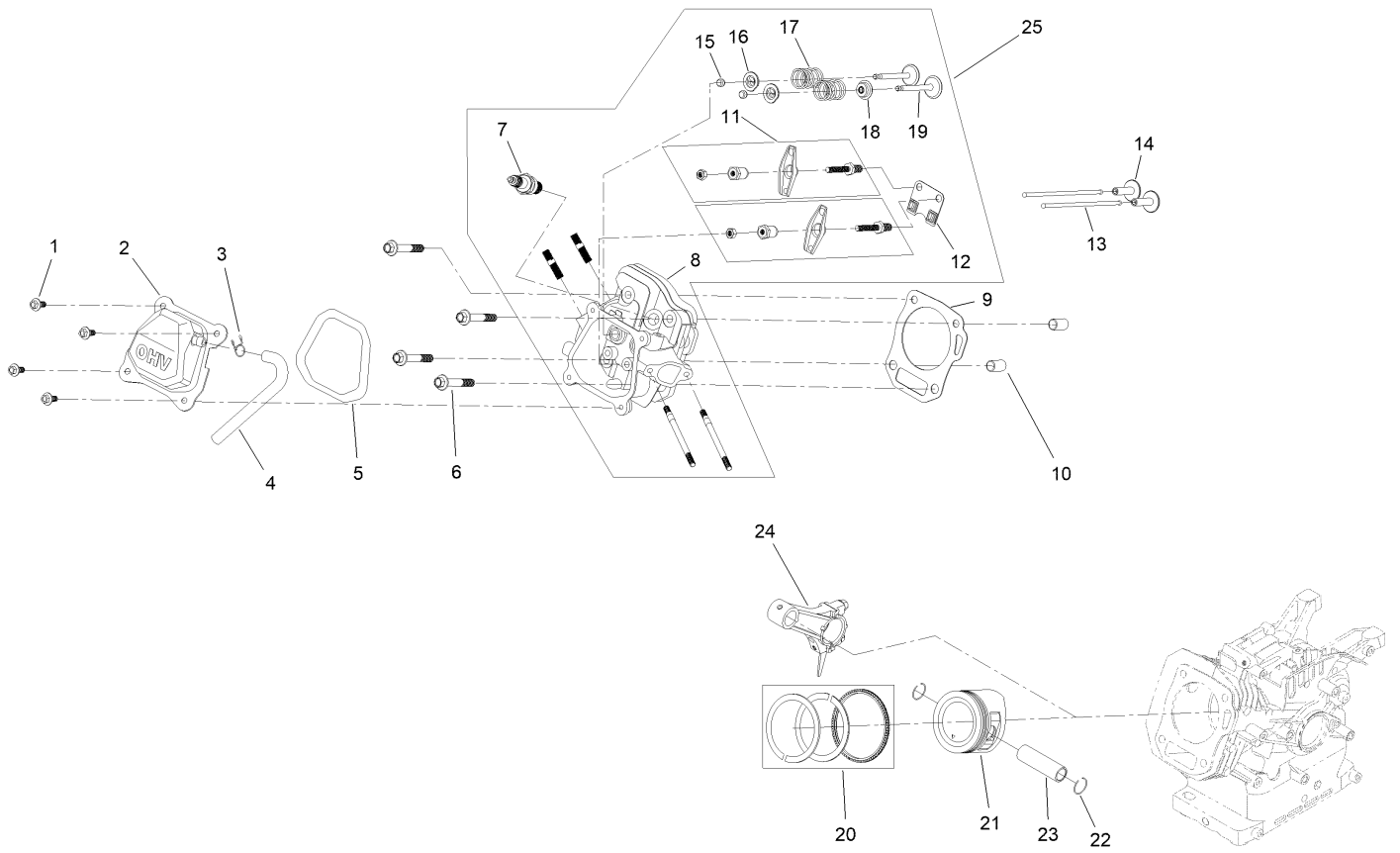
# Governor Assembly



## Governor Assembly (continued)

| <i>Ref.</i> | <i>Part Number</i> | <i>Qty.</i> | <i>Description</i> | <i>Ref.</i> | <i>Part Number</i> | <i>Qty.</i> | <i>Description</i>      |
|-------------|--------------------|-------------|--------------------|-------------|--------------------|-------------|-------------------------|
| 1           | 120-4236           | 1           | Nut-Flange         | 6           | 121-0498           | 1           | Washer-Plain            |
| 2           | 120-4238           | 1           | Bolt-Arm, Governor | 7           | 136-7762           | 1           | Governor Gear ASM       |
| 3           | 121-0155           | 1           | Arm-Governor       | 8           | 139-0690           | 1           | Spring-Governor         |
| 4           | 120-4256           | 1           | Pin-Hair           | 9           | 121-0153           | 1           | Spring-Return, Throttle |
| 5           | 136-7763           | 1           | Shaft-Governor     | 10          | 121-0148           | 1           | Rod-Governor            |

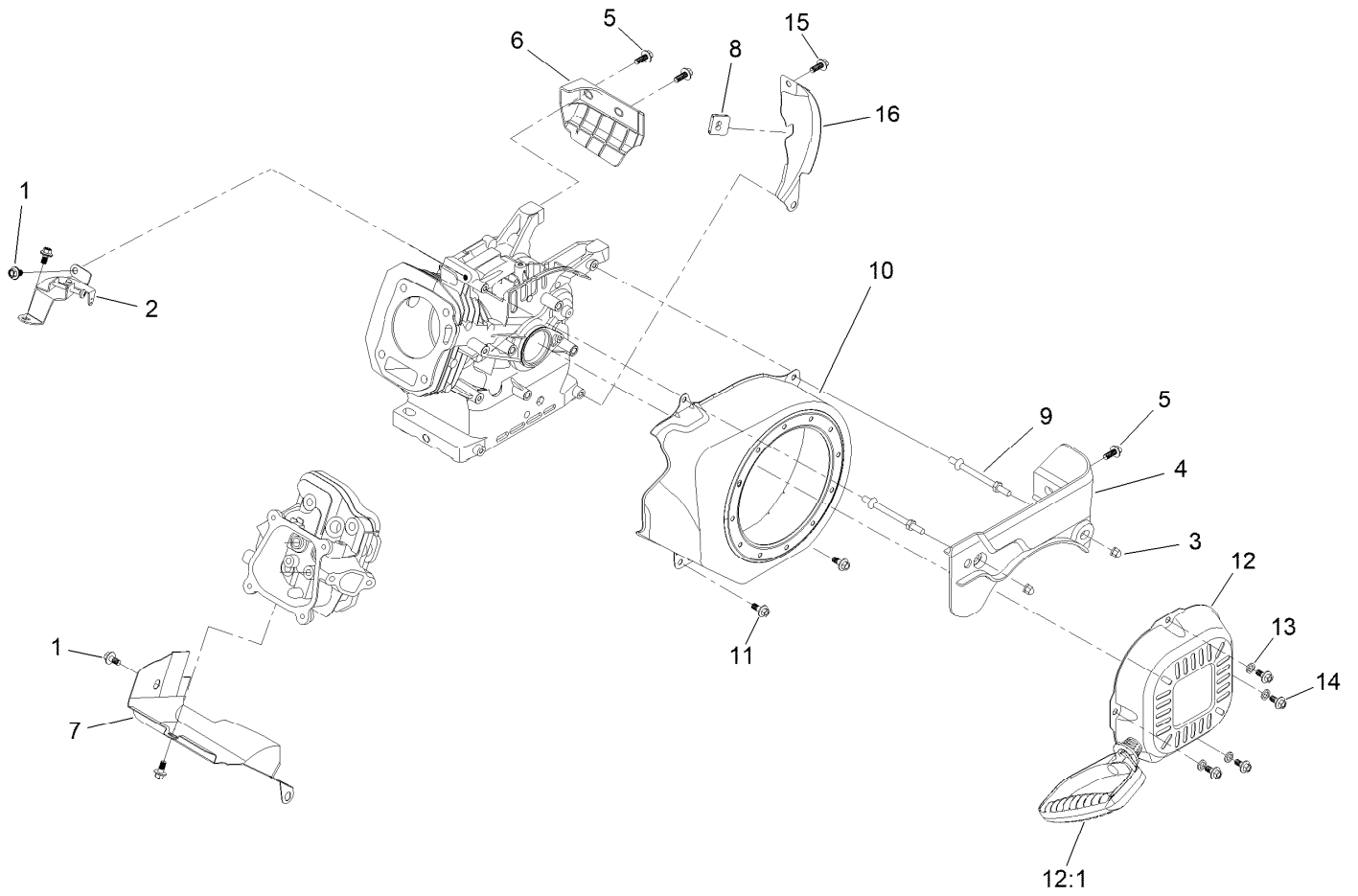
# Piston and Head Assembly



## Piston and Head Assembly (continued)

| <i>Ref.</i> | <i>Part Number</i> | <i>Qty.</i> | <i>Description</i>    | <i>Ref.</i> | <i>Part Number</i> | <i>Qty.</i> | <i>Description</i>     |
|-------------|--------------------|-------------|-----------------------|-------------|--------------------|-------------|------------------------|
| 1           | 120-4454           | 4           | Screw-HHF             | 14          | 127-9015           | 2           | Tappet-Valve           |
| 2           | 127-9094           | 1           | Cover-Valve           | 15          | 121-4116           | 2           | Rotator-Valve          |
| 3           | 127-9408           | 1           | Clamp-Hose            | 16          | 121-4117           | 2           | Retainer-Spring, Valve |
| 4           | 139-0631           | 1           | Tube-Breather         | 17          | 127-9014           | 2           | Spring-Valve           |
| 5           | 121-0109           | 1           | Gasket-Cover, Valve   | 18          | 121-4202           | 1           | Seal-Stem, Valve       |
| 6           | 121-4110           | 4           | Screw-HHF             | 19          | 147-7097           | 1           | Valve Set              |
| 7           | 81-3250            | 1           | Spark Plug            | 20          | 121-4295           | 1           | Ring Set, Piston       |
| 8           | 127-9013           | 1           | Head-Cylinder         | 21          | 121-4293           | 1           | Piston                 |
| 9           | 127-9000           | 1           | Gasket-Head, Cylinder | 22          | 121-0313           | 2           | Clip-Pin, Piston       |
| 10          | 121-0053           | 2           | Pin-Dowel             | 23          | 121-4128           | 1           | Pin-Piston             |
| 11          | 120-4475           | 2           | Rocker Arm ASM        | 24          | 127-9017           | 1           | Connecting Rod ASM     |
| 12          | 121-4120           | 1           | Plate-Guide, Push Rod | 25          | 133-9839           | 1           | Complete Head ASM      |
| 13          | 121-4121           | 2           | Rod-Push              |             |                    |             |                        |

# Blower Housing and Shrouds

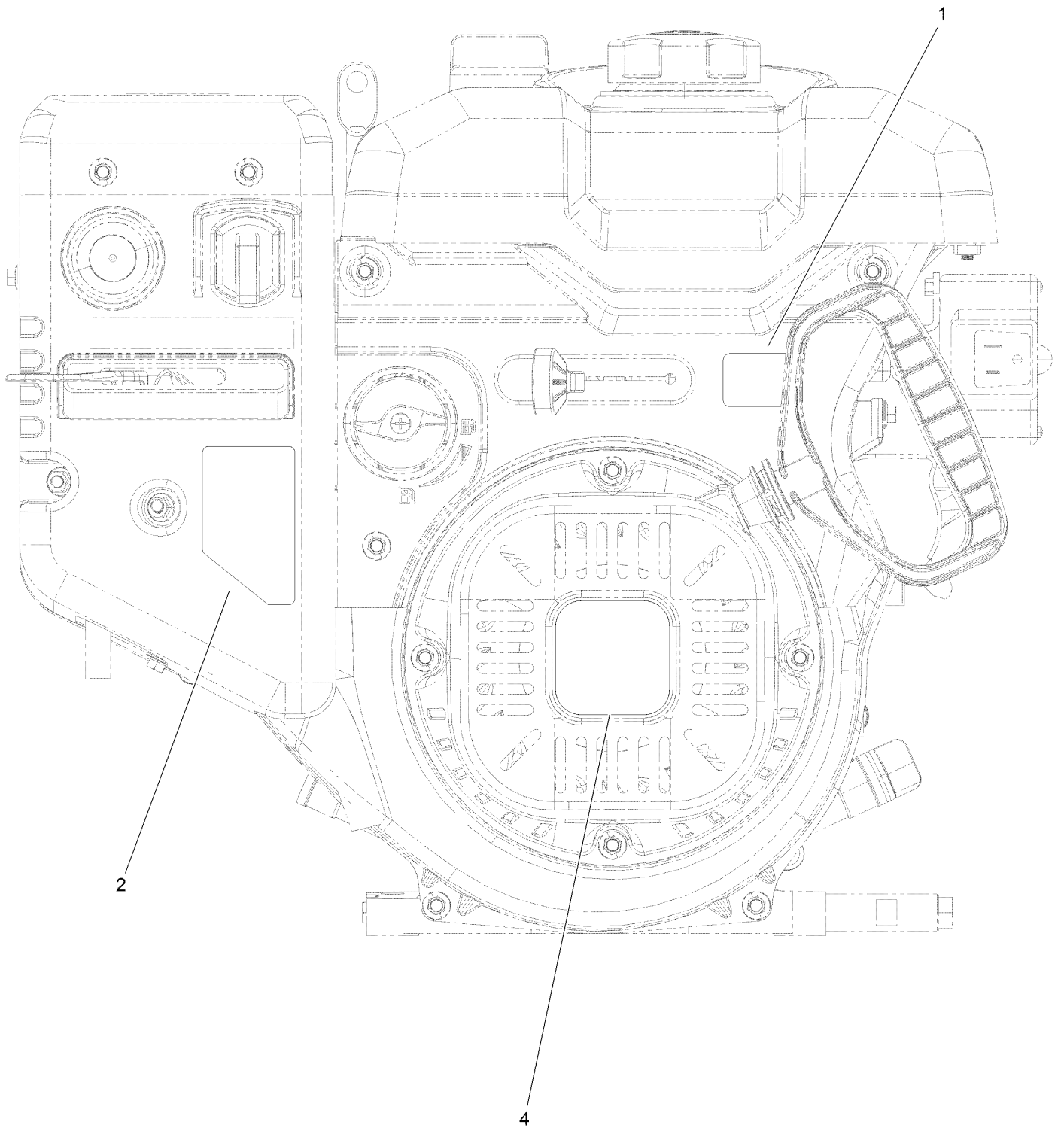




## Blower Housing and Shrouds (continued)

| <i>Ref.</i> | <i>Part Number</i> | <i>Qty.</i> | <i>Description</i> | <i>Ref.</i> | <i>Part Number</i> | <i>Qty.</i> | <i>Description</i> |
|-------------|--------------------|-------------|--------------------|-------------|--------------------|-------------|--------------------|
| 1           | 121-0116           | 4           | Screw-HHF          | 10          | 127-9498           | 1           | Shroud-Blower      |
| 2           | 147-7101           | 1           | Speed Control ASM  | 11          | 121-0294           | 2           | Screw-HHF          |
| 3           | 127-9383           | 2           | Nut-Acorn          | 12          | 127-9402           | 1           | Recoil Starter ASM |
| 4           | 127-9406           | 1           | Panel-Front        | 12:1        | 121-0287           | 1           | Handle-Recoil      |
| 5           | 127-9123           | 3           | Screw-HHF          | 13          | 127-9380           | 4           | Washer-Plain       |
| 6           | 133-1551           | 1           | Panel-Side, Engine | 14          | 127-9031           | 4           | Screw-HHF          |
| 7           | 127-9096           | 1           | Shroud-Lower       | 15          | 120-4454           | 1           | Screw-HHF          |
| 8           | 121-0325           | 1           | Grommet-Rubber     | 16          | 133-1550           | 1           | Shield-Flywheel    |
| 9           | 127-9110           | 2           | Stud-Mount         |             |                    |             |                    |

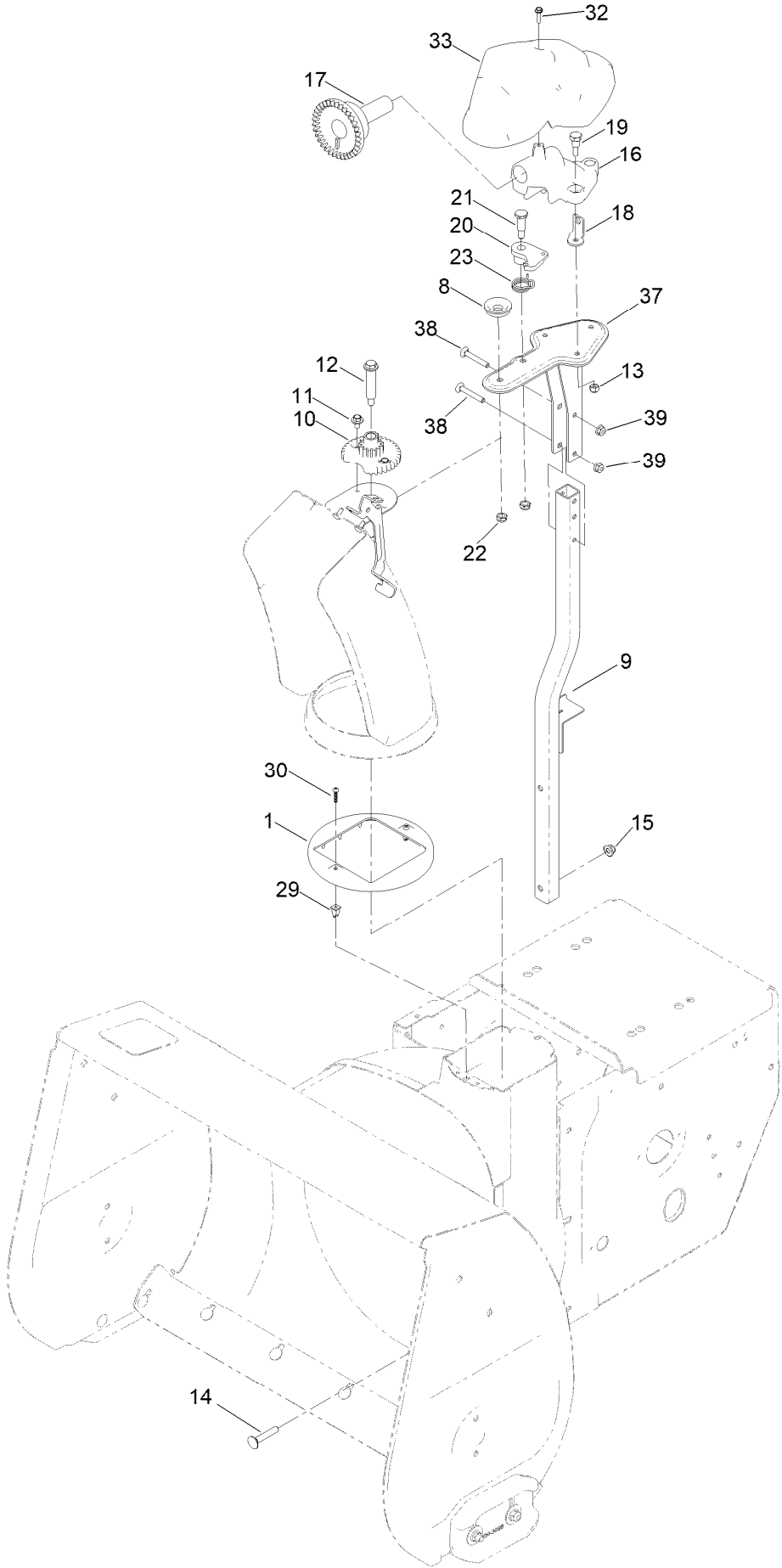
# Engine Decal Assembly



## Engine Decal Assembly (continued)

| <i>Ref.</i> | <i>Part Number</i> | <i>Qty.</i> | <i>Description</i>    |
|-------------|--------------------|-------------|-----------------------|
| 1           | 131-6487           | 1           | Decal-Throttle        |
| 2           | 120-9805           | 1           | Decal-Control, Engine |
| 4           | 131-5912           | 1           | Decal-Recoil, G250    |

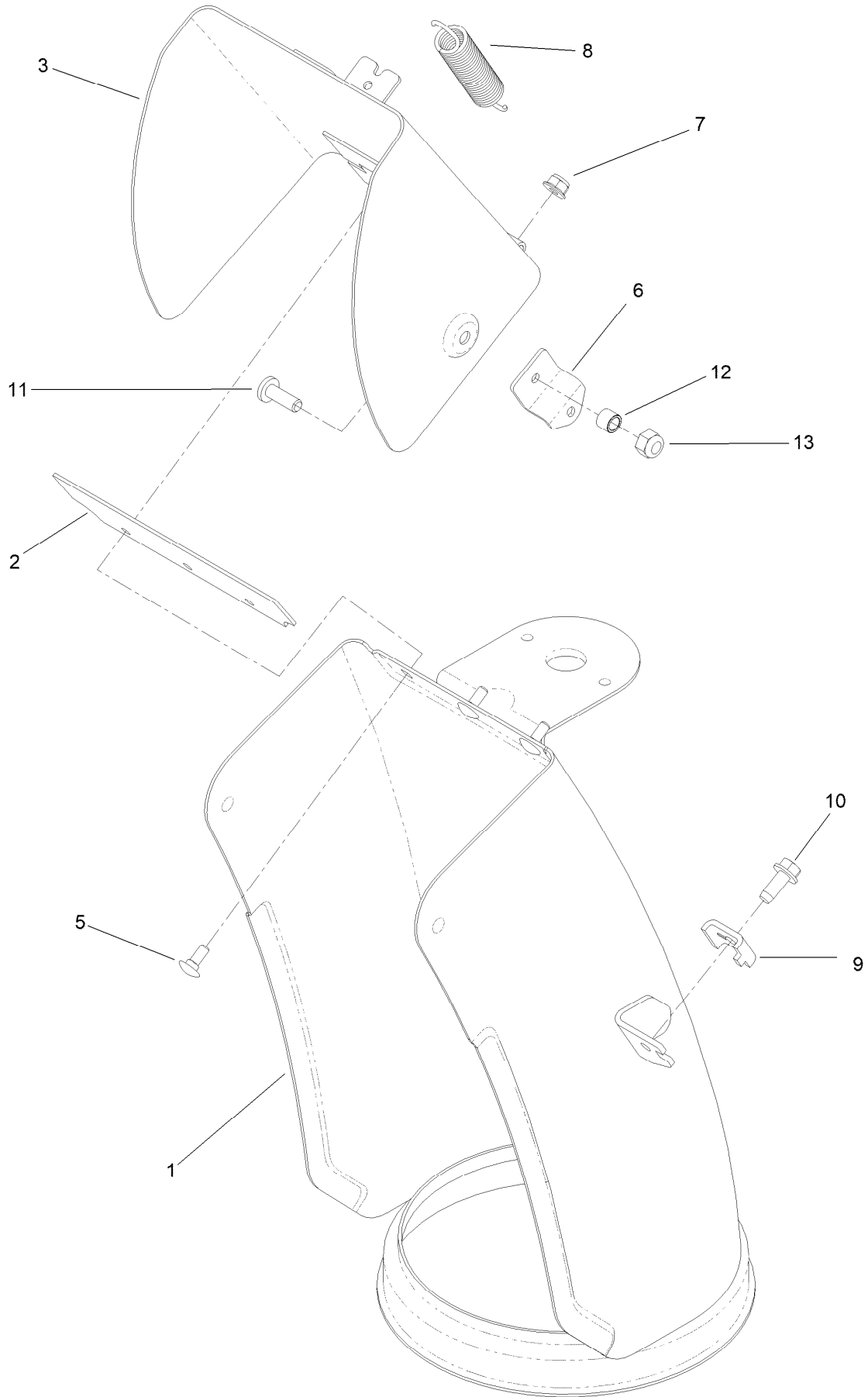
# Chute Assembly



## Chute Assembly (continued)

| <i>Ref.</i> | <i>Part Number</i> | <i>Qty.</i> | <i>Description</i>               | <i>Ref.</i> | <i>Part Number</i> | <i>Qty.</i> | <i>Description</i>               |
|-------------|--------------------|-------------|----------------------------------|-------------|--------------------|-------------|----------------------------------|
| 1           | 136-6515           | 1           | Guide-Chute                      | 19          | 136-7197           | 3           | Screw-Shoulder                   |
| 8           | 106-4422           | 1           | Spacer-Chute                     | 20          | 136-6525           | 1           | Latch-Chute                      |
| 9           | 144-1647-03        | 1           | Support-Chute Weld ASM,<br>Lower | 21          | 137-3103           | 1           | Screw-Shoulder, HH               |
| 10          | 106-4472           | 1           | Gear-Chute                       | 22          | 137-3089           | 2           | Nut-Hex                          |
| 11          | 46-6810            | 2           | Screw And Washer ASM             | 23          | 108-7315           | 1           | Spring-Torsion                   |
| 12          | 136-7199           | 1           | Bolt-Shoulder                    | 29          | 136-6586           | 2           | Grommet-Screw                    |
| 13          | 137-3088           | 3           | Nut-Hex                          | 30          | 94-4496            | 2           | Screw-PPH                        |
| 14          | 137-3063           | 2           | Bolt-Car                         | 32          | 137-3110           | 1           | Screw-Plastite, HWH              |
| 15          | 119-4041           | 2           | Nut-HF                           | 33          | 136-6672           | 1           | Cover-Gear, Face                 |
| 16          | 136-6517           | 1           | Mount-Gear, Face                 | 37          | 145-0691-03        | 1           | Support-Chute Weld ASM,<br>Upper |
| 17          | 106-4471           | 1           | Gear-Face                        | 38          | 120-9698           | 2           | Bolt-CARR                        |
| 18          | 136-6676           | 1           | Anchor-Cable                     | 39          | 119-4040           | 2           | Nut-HF, NI                       |

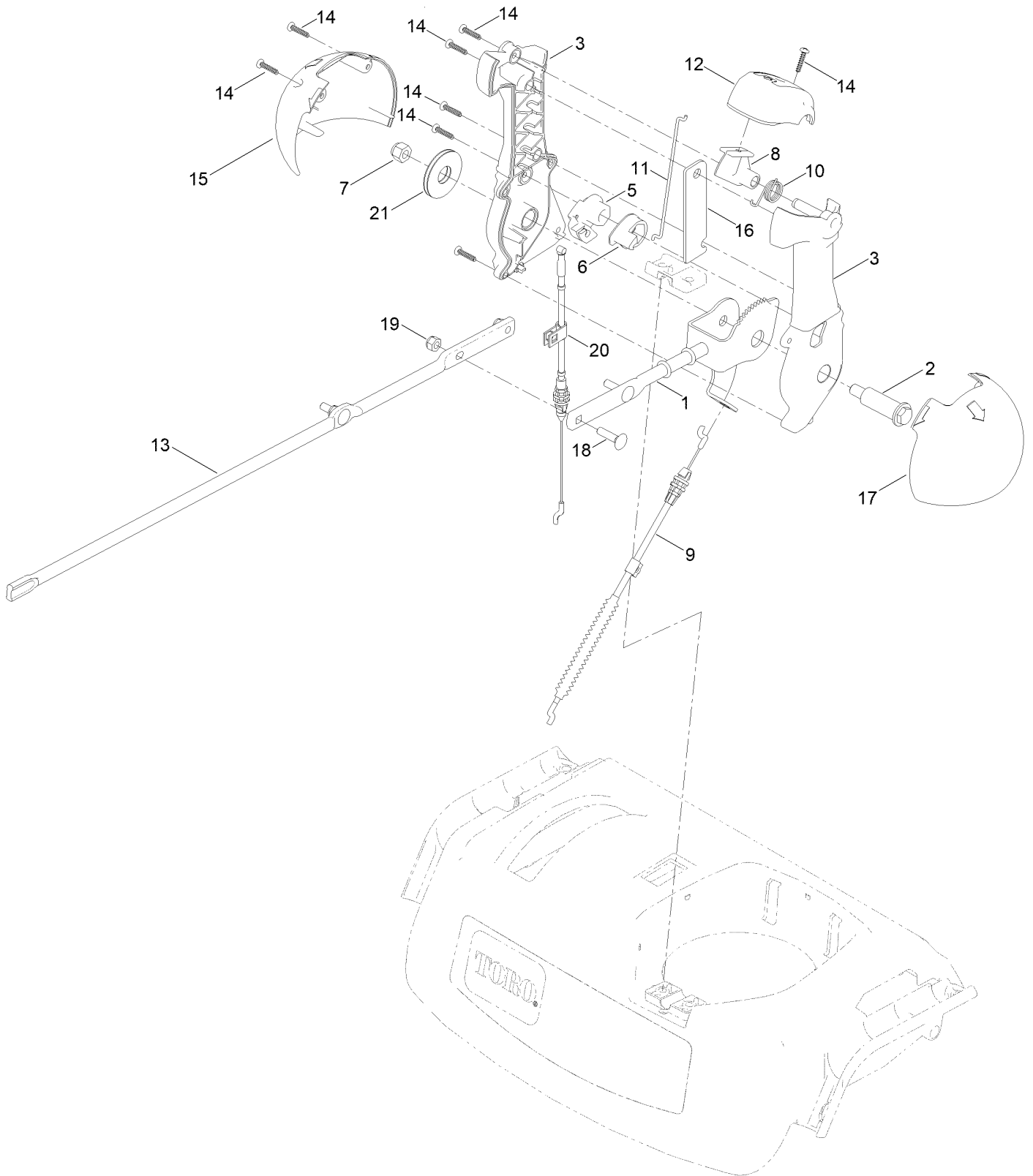
# Lower Chute Assembly



## Lower Chute Assembly (continued)

| <i>Ref.</i> | <i>Part Number</i> | <i>Qty.</i> | <i>Description</i>    | <i>Ref.</i> | <i>Part Number</i> | <i>Qty.</i> | <i>Description</i>  |
|-------------|--------------------|-------------|-----------------------|-------------|--------------------|-------------|---------------------|
| 1           | 144-1246-01        | 1           | Chute-Lower ASM [red] | 8           | 138-8493           | 1           | Spring-Chute, Upper |
| 2           | 138-3671           | 1           | Gasket-Deflector      | 9           | 136-7191           | 1           | Clamp-Cable         |
| 3           | 138-3615-01        | 1           | Deflector             | 10          | 32144-85           | 1           | Screw-HWH Thd Form  |
| 5           | 135-1929           | 3           | Bolt-CARR             | 11          | 138-0689           | 1           | Screw-PH            |
| 6           | 138-3612-01        | 1           | Bracket-Spring        | 12          | 138-3678           | 1           | Spacer              |
| 7           | 138-0719           | 3           | Nut-HF                | 13          | 137-3094           | 1           | Nut-Hex             |

# Chute Control Assembly

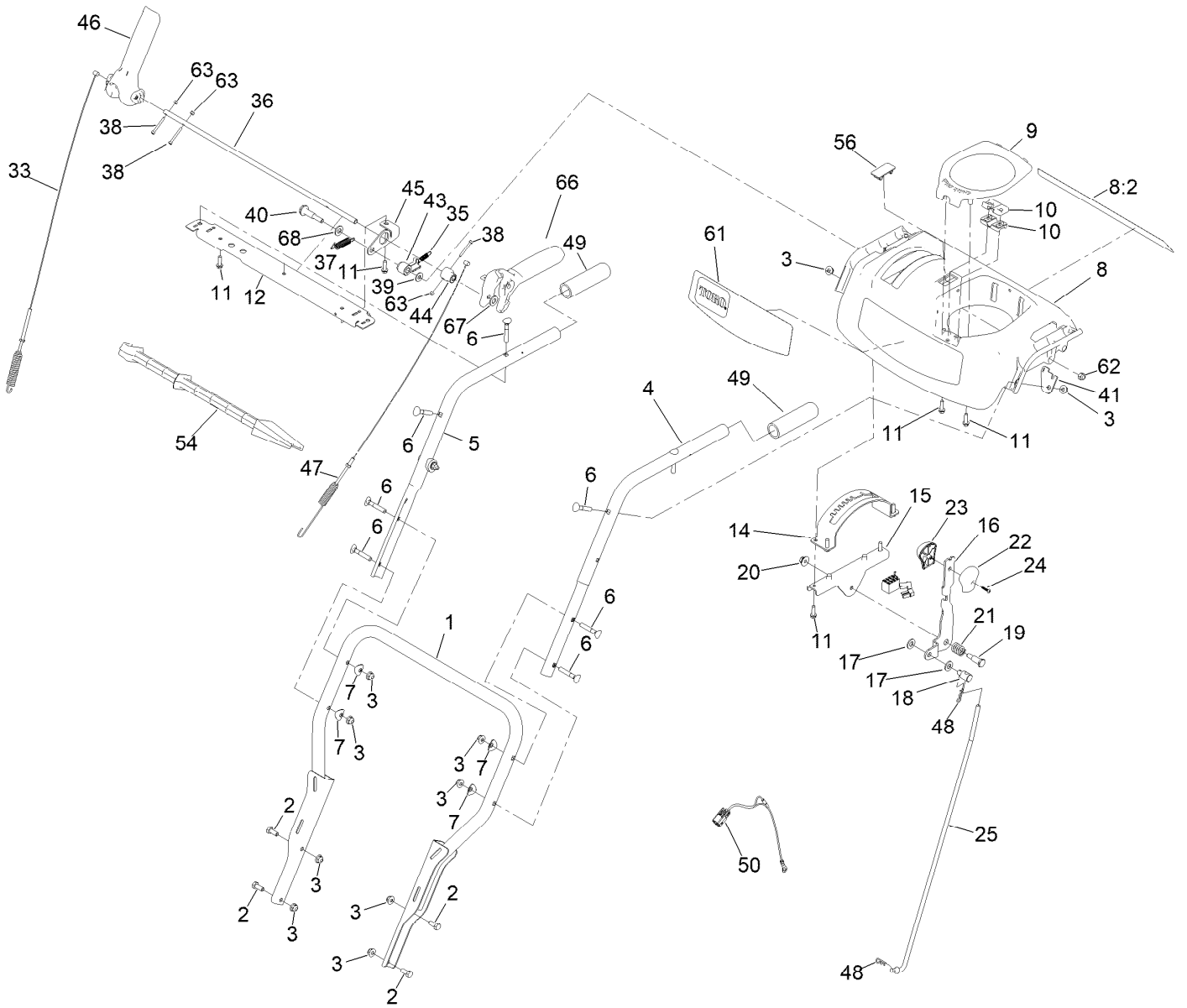




## Chute Control Assembly (continued)

| <i>Ref.</i> | <i>Part Number</i> | <i>Qty.</i> | <i>Description</i>      | <i>Ref.</i> | <i>Part Number</i> | <i>Qty.</i> | <i>Description</i>         |
|-------------|--------------------|-------------|-------------------------|-------------|--------------------|-------------|----------------------------|
| 1           | 138-0662           | 1           | Rod-Control, Chute      | 12          | 137-6239           | 1           | Cap-Lever                  |
| 2           | 138-0659           | 1           | Screw-Shoulder, HWH     | 13          | 136-6578           | 1           | Rod-Chute, Rotation        |
| 3           | 139-1552           | 1           | Chute Control Lever ASM | 14          | 94-4496            | 8           | Screw-PPH                  |
| 5           | 105-9988           | 1           | Lever-Cable, Deflector  | 15          | 136-6677           | 1           | Globe-Quickstick, RH       |
| 6           | 106-7310           | 1           | Pawl-Latch              | 16          | 136-6632-03        | 1           | Plate-Stiffner             |
| 7           | 137-3087           | 1           | Nut-Hex                 | 17          | 136-6678           | 1           | Globe-Quickstick, LH       |
| 8           | 137-6238           | 1           | Trigger-Latch           | 18          | 137-3056           | 3           | Bolt-CARR                  |
| 9           | 144-1227           | 1           | Cable-Deflector         | 19          | 137-3094           | 3           | Nut-Hex                    |
| 10          | 105-9982           | 1           | Spring-Torsion          | 20          | 139-9903           | 1           | Cable-Release, Chute       |
| 11          | 138-0688           | 1           | Link-Latch              | 21          | 138-0744           | 1           | Washer-Friction, Composite |

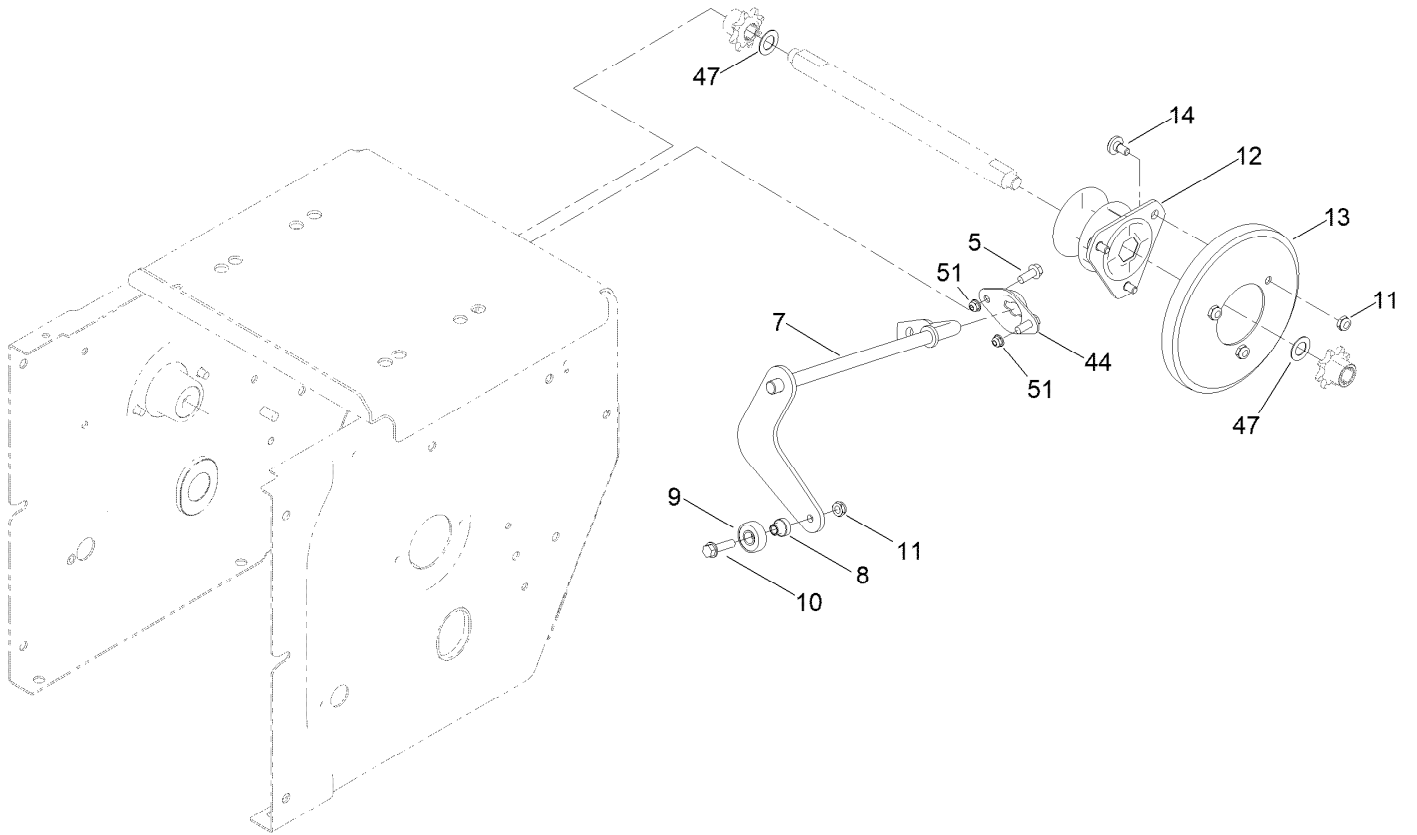
# Traction Control Assembly



## Traction Control Assembly (continued)

| <i>Ref.</i> | <i>Part Number</i> | <i>Qty.</i> | <i>Description</i>     | <i>Ref.</i> | <i>Part Number</i> | <i>Qty.</i> | <i>Description</i>     |
|-------------|--------------------|-------------|------------------------|-------------|--------------------|-------------|------------------------|
| 1           | 136-6682-03        | 1           | Lower Handle ASM       | 33          | 161-0973           | 1           | Cable-Auger            |
| 2           | 137-3052           | 4           | Screw-HH               | 35          | 136-7161           | 1           | Spring-Lockout, Handle |
| 3           | 138-8401           | 12          | Nut-HF                 | 36          | 144-1343           | 1           | Rod-Lockout            |
| 4           | 137-6206-03        | 1           | Handle-Upper, LH       | 37          | 136-7162           | 1           | Spring-Return, Lever   |
| 5           | 137-6207-03        | 1           | Handle-Upper, RH       | 38          | 145-0660           | 3           | Screw-HSH,Spl          |
| 6           | 137-3107           | 8           | Screw-Handle           | 39          | 98-3499            | 1           | Washer-Flat            |
| 7           | 137-3009           | 4           | Washer-Cup             | 40          | 145-0687           | 1           | Screw-Shoulder         |
| 8           | 145-0665           | 1           | Control Panel Assembly | 41          | 144-1345           | 1           | Plate-Spring           |
| 8:2         | 137-6249           | 1           | Decal-Safety           | 43          | 144-1342           | 1           | Latch, Lockout         |
| 9           | 137-6178           | 1           | Cover-Quickstick       | 44          | 144-1341           | 1           | Cam-Lockout            |
| 10          | 105-9987           | 2           | Support-Rod            | 45          | 145-0744           | 1           | Link-Lockout           |
| 11          | 137-3099           | 8           | Screw-Plastite, HWH    | 46          | 137-6171           | 1           | Lever-Control          |
| 12          | 145-4075-01        | 1           | Brace-Console          | 47          | 161-0976           | 1           | Cable-Traction         |
| 14          | 137-6187-03        | 1           | Gate-Shift             | 48          | 137-3083           | 2           | Pin-Hair               |
| 15          | 137-6188-03        | 1           | Bracket-Shift          | 49          | 120-1333           | 2           | Grip-Handle            |
| 16          | 137-6231-03        | 1           | Selector-Speed         | 50          | 138-3645           | 1           | Harness-Wire, LED      |
| 17          | 115-1166           | 2           | Washer-Plain           | 54          | 110-3408           | 1           | Stick-Cleanout         |
| 18          | 136-7193           | 1           | Trunnion-Rod           | 56          | 99-7420            | 1           | Plug-Hole              |
| 19          | 137-3103           | 1           | Screw-Shoulder, HH     | 61          | 144-0308           | 1           | Decal-Console          |
| 20          | 137-3038           | 1           | Nut-HF                 | 62          | 137-3093           | 1           | Nut-Hex                |
| 21          | 136-7121           | 1           | Spring-Compression     | 63          | 140-3749           | 3           | Nut-Lock Rohs          |
| 22          | 105-9999           | 1           | Knob-Shift, LH         | 66          | 144-1347           | 1           | Lever-Control          |
| 23          | 106-4423           | 1           | Knob-Shift, RH         | 67          | 3256-25            | 1           | Washer-Flat            |
| 24          | 94-4496            | 1           | Screw-PPH              | 68          | 115-1166           | 1           | Washer-Plain           |
| 25          | 137-6225           | 1           | Rod-Shift              |             |                    |             |                        |

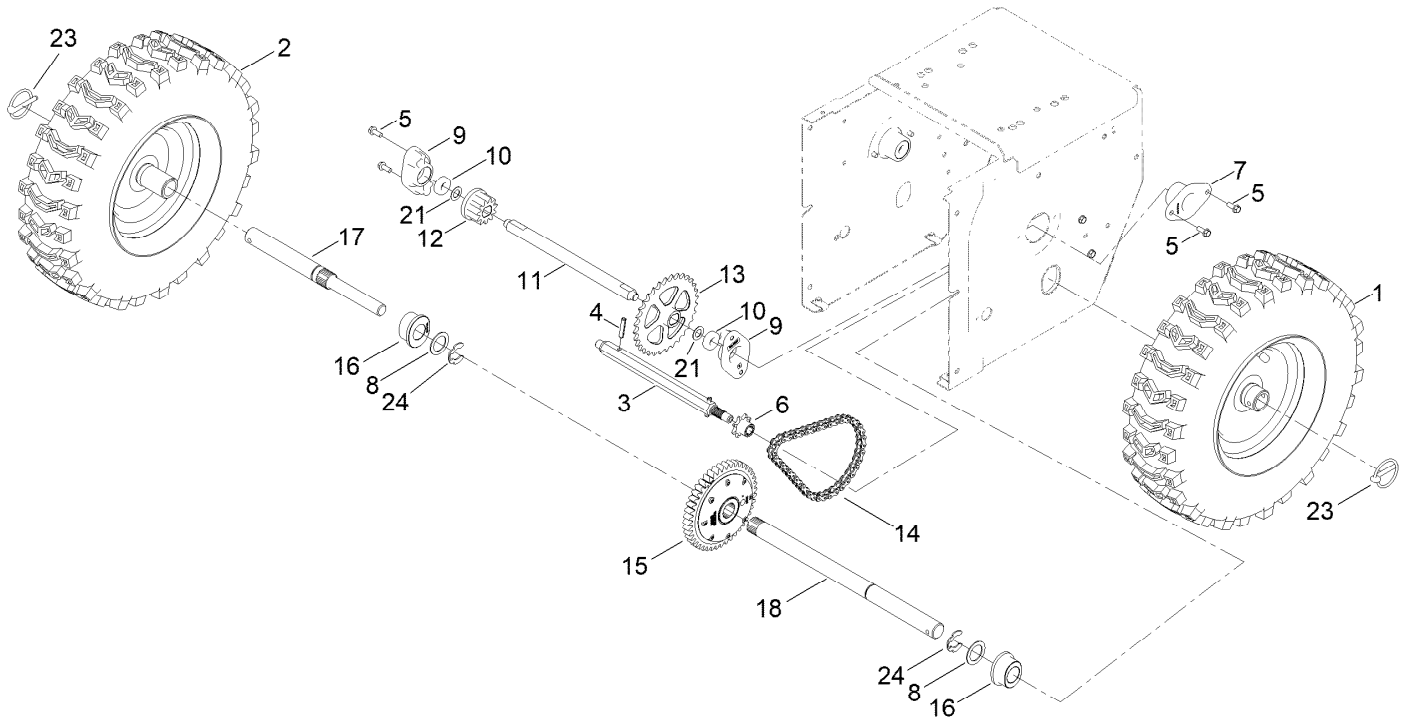
# Traction Drive Assembly



## Traction Drive Assembly (continued)

| <i>Ref.</i> | <i>Part Number</i> | <i>Qty.</i> | <i>Description</i>  | <i>Ref.</i> | <i>Part Number</i> | <i>Qty.</i> | <i>Description</i>  |
|-------------|--------------------|-------------|---------------------|-------------|--------------------|-------------|---------------------|
| 5           | 32144-85           | 4           | Screw-HWH Thd Form  | 12          | 119-7630           | 1           | Trunnion            |
| 7           | 137-6162-03        | 1           | Rod-Shift           | 13          | 119-1567           | 1           | Wheel-Friction      |
| 8           | 119-7684           | 1           | Spacer-Plate, Shift | 14          | 137-6246           | 3           | Screw-Shoulder      |
| 9           | 121-6835           | 1           | Bearing-Ball        | 44          | 136-6647-03        | 1           | Retainer-Rod, Shift |
| 10          | 32144-86           | 1           | Screw-HWHTF         | 47          | 36-4780            | 2           | Washer-Plain        |
| 11          | 137-3091           | 4           | Nut-Hex             | 51          | 137-3005           | 2           | Nut-HF              |

# Autoturn Drive Assembly



## Autoturn Drive Assembly (continued)

| <i>Ref.</i> | <i>Part Number</i> | <i>Qty.</i> | <i>Description</i>                | <i>Ref.</i> | <i>Part Number</i> | <i>Qty.</i> | <i>Description</i>     |
|-------------|--------------------|-------------|-----------------------------------|-------------|--------------------|-------------|------------------------|
| 1           | 136-6668           | 1           | LH Wheel And Tire ASM             | 11          | 136-6692           | 1           | Shaft-Intermediate     |
| 2           | 136-6667           | 1           | RH Wheel And Tire ASM             | 12          | 136-6699           | 1           | Tooth-Gear, 11         |
| 3           | 138-0745           | 1           | Shaft-Hex                         | 13          | 136-6698           | 1           | Sprocket-32T           |
| 4           | 32121-9            | 2           | Pin-Roll, Slotted                 | 14          | 108-0016           | 1           | Chain-Roller           |
| 5           | 32144-85           | 8           | Screw-HWH Thd Form                | 15          | 140-3748           | 1           | Transmission-Gt, Di300 |
| 6           | 125-1134           | 1           | Gear-Pinion, 8 Tooth              | 16          | 136-6641           | 2           | Bushing-Axle           |
| 7           | 108-7319           | 2           | Retainer-Bearing                  | 17          | 140-3711           | 1           | Axle-Rt, HD            |
| 8           | 138-0725           | 2           | Washer-Thrust                     | 18          | 140-3736           | 1           | Axle -Lt, HD           |
| 9           | 136-6697           | 2           | Retainer-Bearing,<br>Intermediate | 21          | 36-4780            | 2           | Washer-Plain           |
| 10          | 52-2450            | 2           | Bearing-Wheel                     | 23          | 138-3642           | 2           | Pin-Klik               |
|             |                    |             |                                   | 24          | 32151-91           | 2           | Ring-Retaining         |

# Attachments and Accessories

## For 38838 Power Max Heavy Duty 828 OAE Snowthrower

| <b>Product Name</b>                               | <b>Model/Part</b> |
|---|-------------------|
| Heavy-Duty Skid Kit.....                          | 125-1104          |
| Snow Cab Kit.....                                 | 127-5960          |
| Kit Red Heated Grips.....                         | 144-1603          |
| Non-Marking Skid Kit.....                         | 38211             |
| Drift Breaker Kit.....                            | 38213             |
| Tire Chain Kit, 16in Tires.....                   | 38215             |
| Toro Snow Oil 0W30 Synthetic 20-Ounce Bottle..... | 38913             |
| Power Max HD Covers (2019).....                   | 490-7415          |



**Notes:**

**Notes:**

**Notes:**



**Count on it.**