



Count on it.

Parts Catalog

**Power Max[®] Heavy Duty 828
OAE Snowthrower**

Model No. 38838—Serial No. 409000000 and Up



Ordering Replacement Parts

To order replacement parts, please supply the part number, the quantity, and the description of each part desired.

Understanding Reference Numbers

Each identified part in an illustration has a reference number. The reference number for a part also appears in the parts list, along with other information about the part.

This catalog uses two special reference number formats, one to indicate parts in a service assembly and another to indicate the quantity of a given part in an illustration.

Service Assembly Reference Numbers

Parts in service assemblies have reference numbers in the form a:b. The a represents the reference number of the entire service assembly and the b represents a sequential number unique to each part within the service assembly.

For example, a wheel assembly might be identified by reference number 6, the tire by 6:1, the valve by 6:2, and the wheel by 6:3. When you order the assembly identified by reference number 6, you receive all parts identified by reference numbers 6:1, 6:2, and 6:3. However, you may also order any part individually. Reference numbers of this type appear in illustration and in parts lists.

Reference Numbers Indicating Quantity

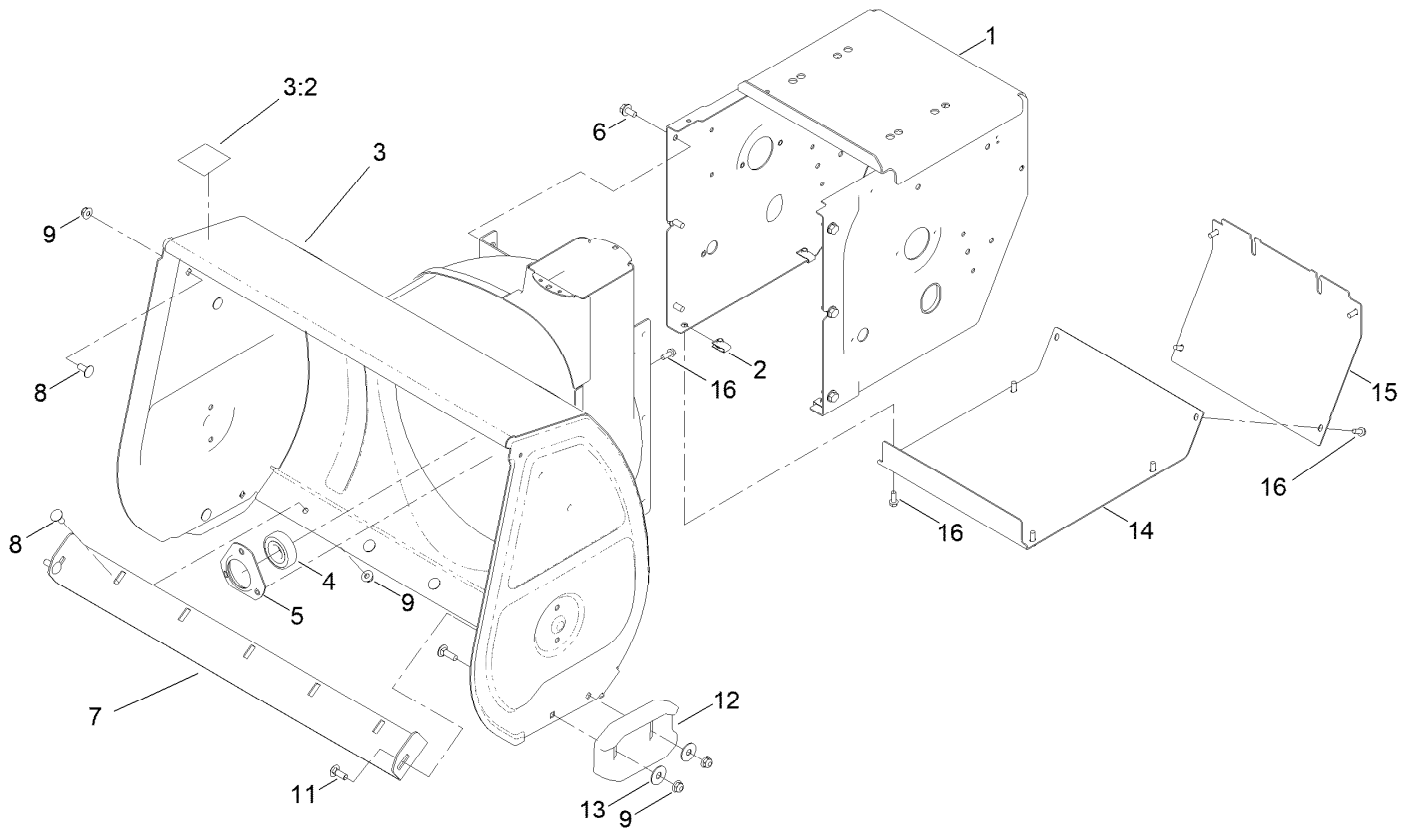
In an illustration, if a reference number indicates more than one part, the reference number has the form nX y. The n represents the quantity of the part, the X is the multiplication symbol, and the y represents the reference number.

For example, in an illustration, the reference number 2X 37 means that two of the parts identified by reference number 37 are indicated.

Contents

Housing Assembly	4
Auger Drive Assembly	6
Gear Case Assembly	8
Engine Assembly	10
Fuel System and Carburetor Assembly	12
Intake and Exhaust Assembly	14
Ignition and Electrical Assembly	16
Crankcase Assembly	18
Governor Assembly	20
Piston and Head Assembly	22
Blower Housing and Shrouds Assembly	24
Engine Decal Assembly	26
Chute Assembly	28
Lower Chute Assembly	30
Chute Control Assembly	32
Handle Assembly	34
Traction Drive Assembly	36
Autoturn Drive Assembly	38
Attachments and Accessories	40

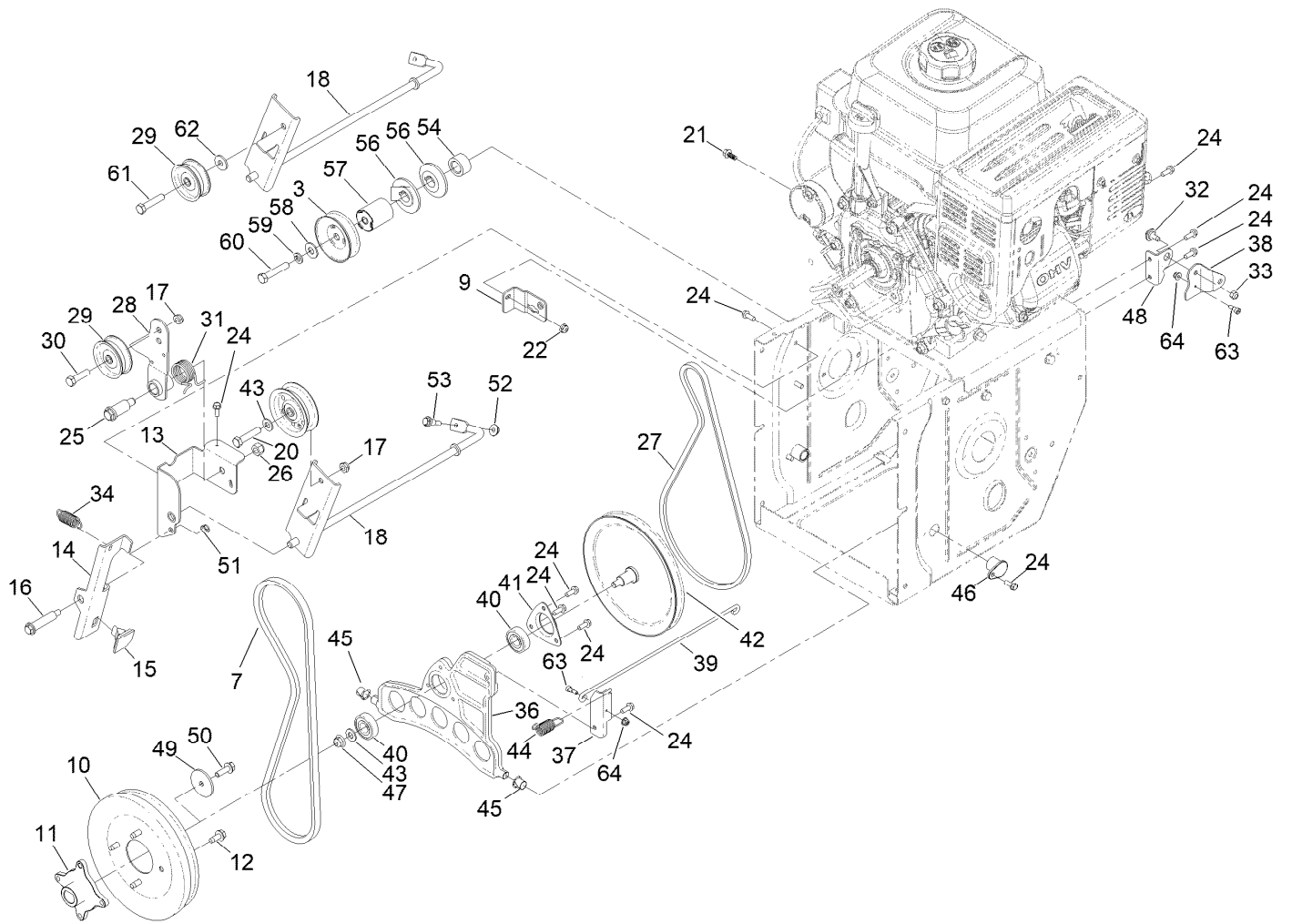
Housing Assembly



Housing Assembly (continued)

<i>Ref.</i>	<i>Part Number</i>	<i>Qty.</i>	<i>Description</i>	<i>Ref.</i>	<i>Part Number</i>	<i>Qty.</i>	<i>Description</i>
1	136-6639-01	1	Frame-Traction	8	137-3061	5	Bolt-CARR
2	107069	8	Clip	9	119-4041	9	Nut-HF
3	139-1562	1	Auger Housing ASM	11	137-3059	4	Bolt-CARR
3:2	121-6817	1	Decal-Danger, Auger	12	106-4588-01	2	Skid
4	136-6571	1	Bearing-Ball	13	119-4150	4	Washer-Flat
5	136-6573	1	Retainer-Bearing	14	136-6650-01	1	Cover-Bottom
6	32144-14	6	Screw-HWHTF	15	136-6651-01	1	Cover-Rear
7	136-6588-01	1	Blade-Scraper	16	32144-85	11	Screw-HWH Thd Form

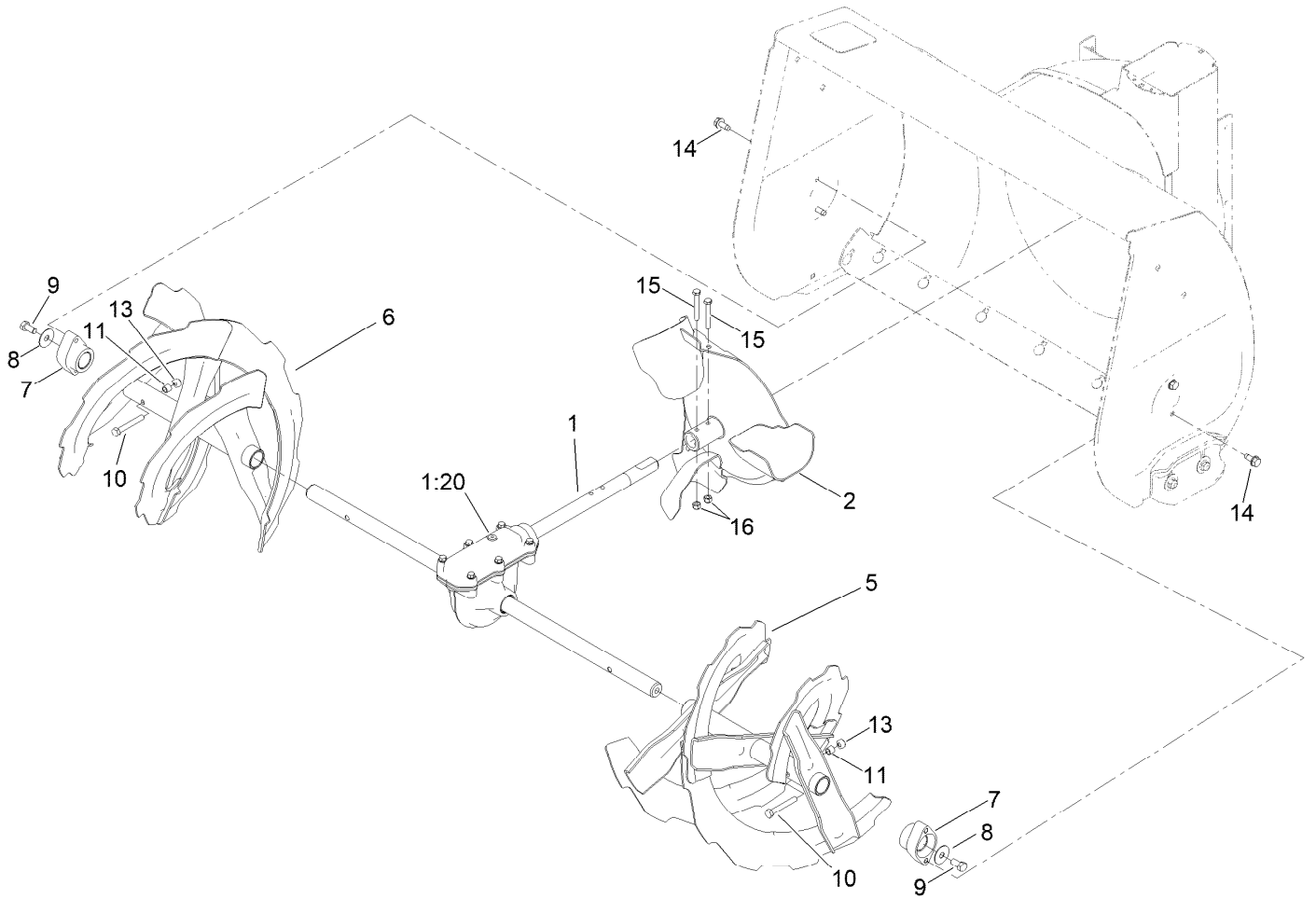
Auger Drive Assembly



Auger Drive Assembly (continued)

<i>Ref.</i>	<i>Part Number</i>	<i>Qty.</i>	<i>Description</i>	<i>Ref.</i>	<i>Part Number</i>	<i>Qty.</i>	<i>Description</i>
3	137-6179	1	Pulley-Impeller	37	144-1621	1	Bkt-Traction Plate
7	161-5972	1	Belt-V	38	144-1622	1	Bellcrank-Drive
9	136-8654-03	1	Bracket-Clutch, Impeller	39	144-1613	1	Link-Traction, HD
10	138-0717	1	Pulley-Impeller	40	38-7820	2	Bearing-Ball
11	136-6558	1	Hub-Pulley	41	136-7124	1	Retainer-Bearing
12	32144-70	4	Screw-HWHTF	42	137-6154	1	Pulley-Traction
13	136-8671-03	1	Bracket-Brake, Clutch	43	115-1166	1	Washer-Plain
14	136-6527	1	Brake Arm	44	137-6189	1	Spring-Extension
15	66-8060	1	Pad-Brake	45	256-257	2	Bushing-Nyliner
16	136-7199	1	Bolt-Shoulder	46	120-7156	2	Bushing-Plate, Traction
17	121-4600	2	Nut-Hex	47	119-4042	1	Nut-HF, NI
18	144-1243	1	Arm-Clutch, Impeller	48	136-6654	1	Bracket-Bellcrank
20	138-0722	1	Screw-HH	49	137-3121	1	Washer-Plain
21	137-3111	1	Screw-HHF	50	115-5142	1	Screw-HHF
22	137-3005	1	Nut-HF	51	137-3089	1	Nut-Hex
24	32144-85	12	Screw-HWH Thd Form	52	137-3016	1	Nut-HF
25	136-7116	1	Bolt-Shoulder	53	104-0858	1	Bolt-Shoulder
26	137-3095	1	Nut-Hex	54	144-1242	1	Spacer
27	109-7299	1	Belt,3L P21 Drive	56	144-1240	2	Sheave-Traction
28	136-7186	1	Arm-Idler, Traction	57	144-1241	1	Spacer-Pulley
29	3-4244	2	Pulley-Idler	58	137-3078	1	Washer-Plain
30	137-3065	1	Screw-HH	59	3253-21	1	Washer-Lock
31	120-3060	1	Spring-Torsion	60	120-2302	1	Screw-HH
32	92-9698	1	Screw-Shoulder	61	138-0722	1	Screw-HH
33	137-3094	1	Nut-Hex	62	139-2632	1	Washer-Hardened
34	107-1045	1	Spring-Extension	63	94-9422	2	Screw-Shoulder
36	136-6689	1	Plate-Friction, Wheel	64	138-0719	2	Nut-HF

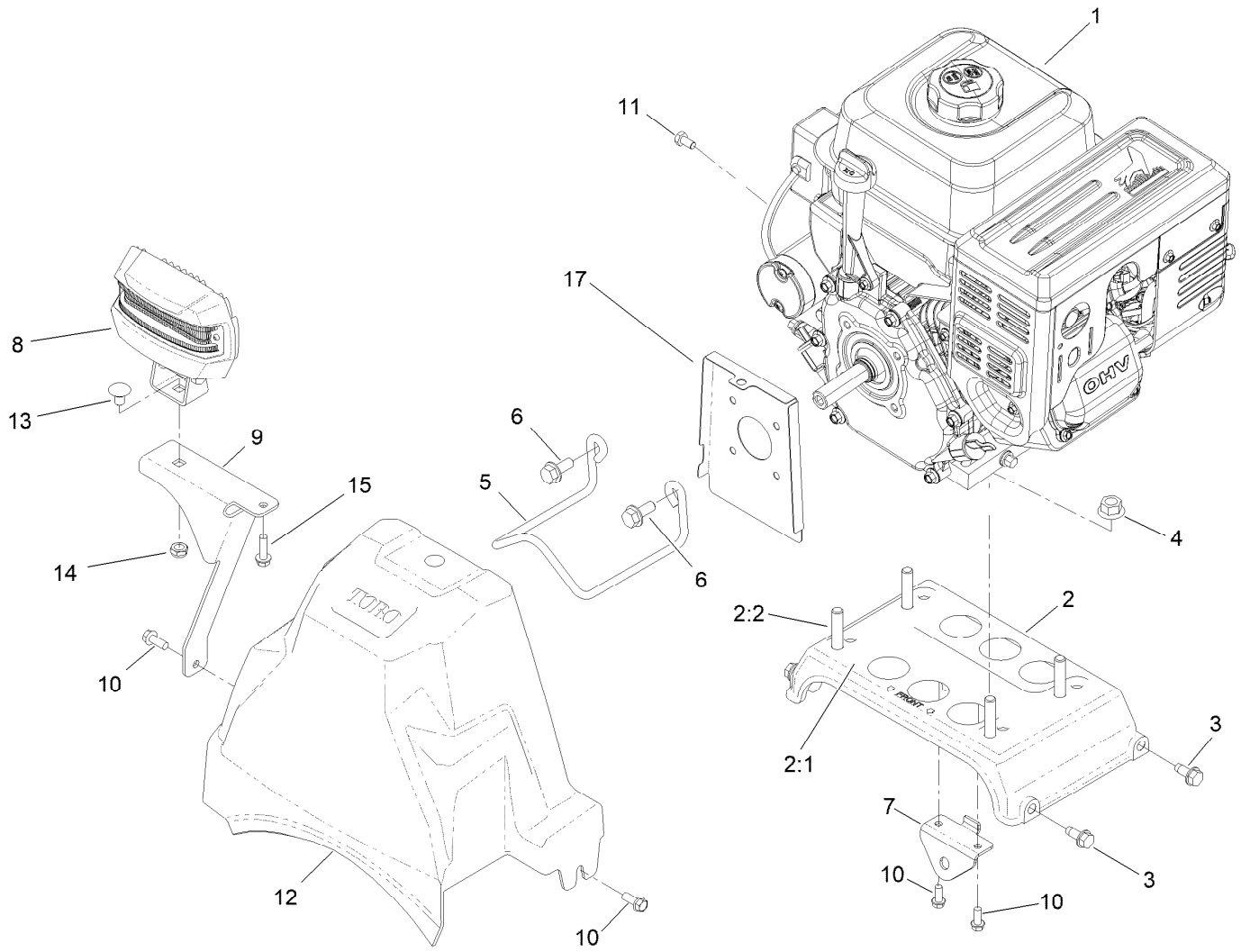
Gear Case Assembly



Gear Case Assembly (continued)

<i>Ref.</i>	<i>Part Number</i>	<i>Qty.</i>	<i>Description</i>	<i>Ref.</i>	<i>Part Number</i>	<i>Qty.</i>	<i>Description</i>
1	136-6549	1	Auger Gearcase ASM	9	137-3066	2	Screw-HH
1:20	138-3629	1	Plug-Oil	10	120-9738	2	Screw-HH
2	136-6570-03	1	Impeller	11	136-7148	2	Spacer-Grommet
5	136-6600-03	1	Auger-LH	13	119-4038	2	Nut-Hex
6	136-6601-03	1	Auger-RH	14	32144-70	4	Screw-HWHTF
7	106-4570	2	Bearing-Auger	15	137-3032	2	Screw-HH
8	3-0750	2	Washer	16	137-3088	2	Nut-Hex

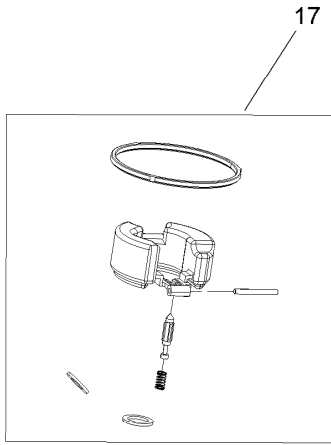
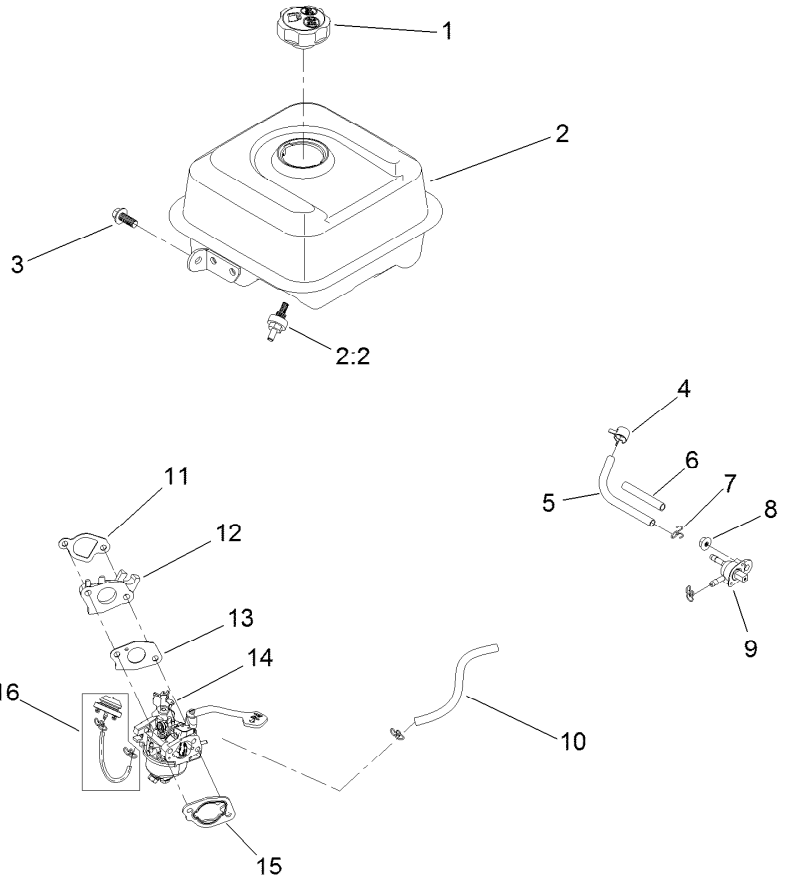
Engine Assembly



Engine Assembly (continued)

<i>Ref.</i>	<i>Part Number</i>	<i>Qty.</i>	<i>Description</i>	<i>Ref.</i>	<i>Part Number</i>	<i>Qty.</i>	<i>Description</i>
1	136-7756	1	Engine-G250Fds-1	8	138-0670	1	LED Light ASM
2	144-1625	1	Engine Plate ASM (G250)	9	138-0683-03	1	Bracket-Light
2:1	144-1626	1	Plate-Engine	10	32144-85	4	Screw-HWH Thd Form
2:2	136-7178	4	Stud-Press 95/16-18 X 1.625)	11	121-4604	1	Screw-HH
3	32144-70	4	Screw-HWHTF	12	136-6606	1	Cover-Belt
4	32128-20	4	Nut-HF	13	3230-19	1	Bolt-CARR
5	144-2816	1	Guide-Belt	14	137-3089	1	Nut-Hex
6	138-0690	2	Screw-HH	15	137-3099	1	Screw-Plastite, HWH
7	136-6644-03	1	Bracket-Control, Traction	17	140-7945-03	1	Cover-Crank

Fuel System and Carburetor Assembly

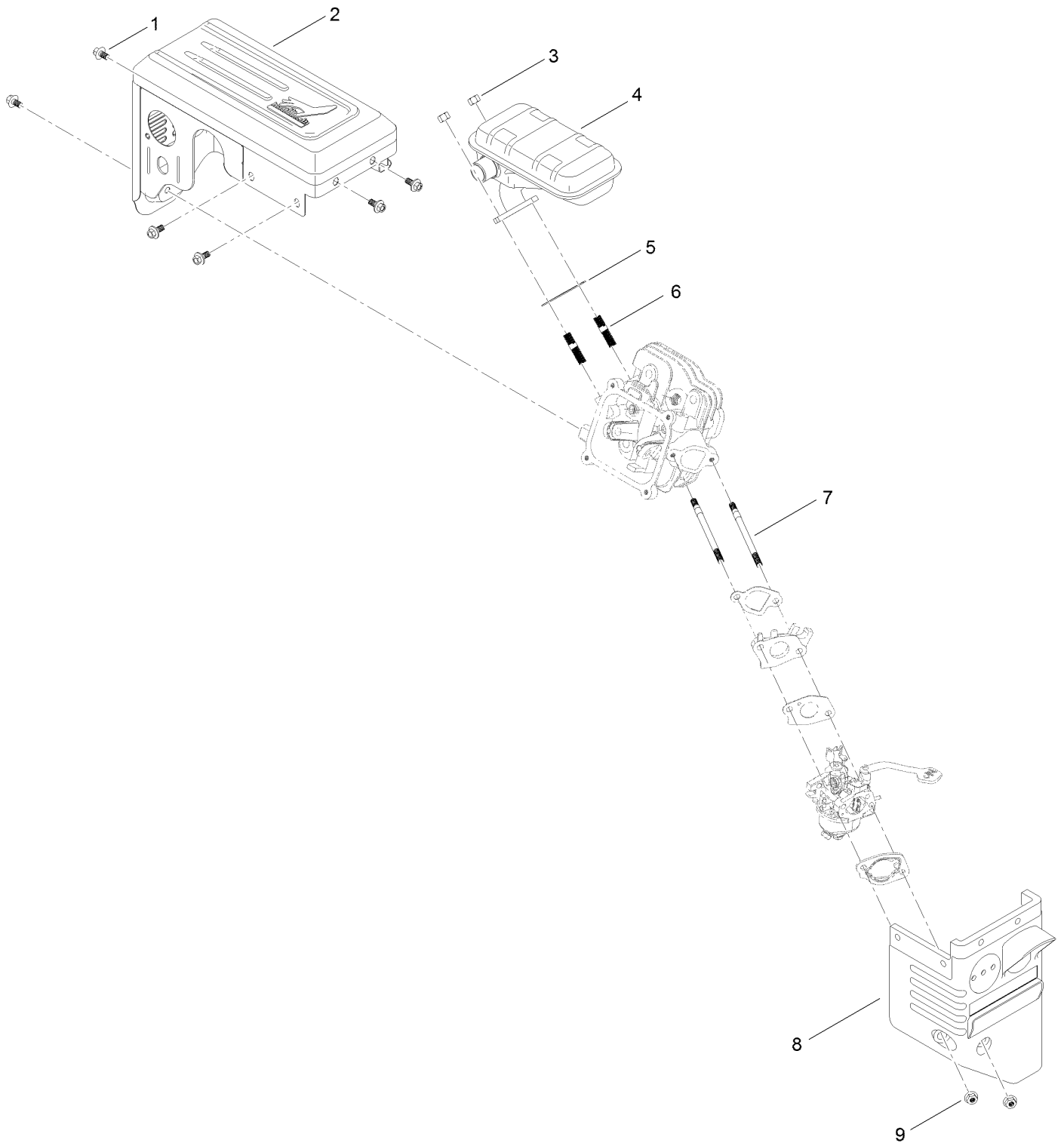


Fuel System and Carburetor Assembly (continued)

<i>Ref.</i>	<i>Part Number</i>	<i>Qty.</i>	<i>Description</i>	<i>Ref.</i>	<i>Part Number</i>	<i>Qty.</i>	<i>Description</i>
1	133-9823	1	Cap-Fuel	10	127-9489	1	Hose-Fuel
2	133-1553	1	Fuel Tank And Filter ASM	11	133-1531	1	Gasket-Carburetor
2:2	127-9065	1	Filter-Fuel	12	133-1532	1	Insulator-Carburetor
3	121-0294	1	Screw-HHF	13	133-1533	1	Gasket-Carburetor
4	127-9120	1	Clamp-Hose	14	133-1534	1	Carburetor ASM
5	133-1556	1	Hose-Fuel	15	121-0080	1	Gasket-Carburetor
6	133-9997	1	Sleeve-Abrasion	16	127-9079	1	Primer Kit
7	121-0087	3	Clamp-Hose	17	127-9395	1	Internal Carb Service Kit
8	120-4236	1	Nut-Flange	99	133-9937	1	High Altitude Kit ●
9	127-9117	1	Valve-Fuel				

● Not illustrated

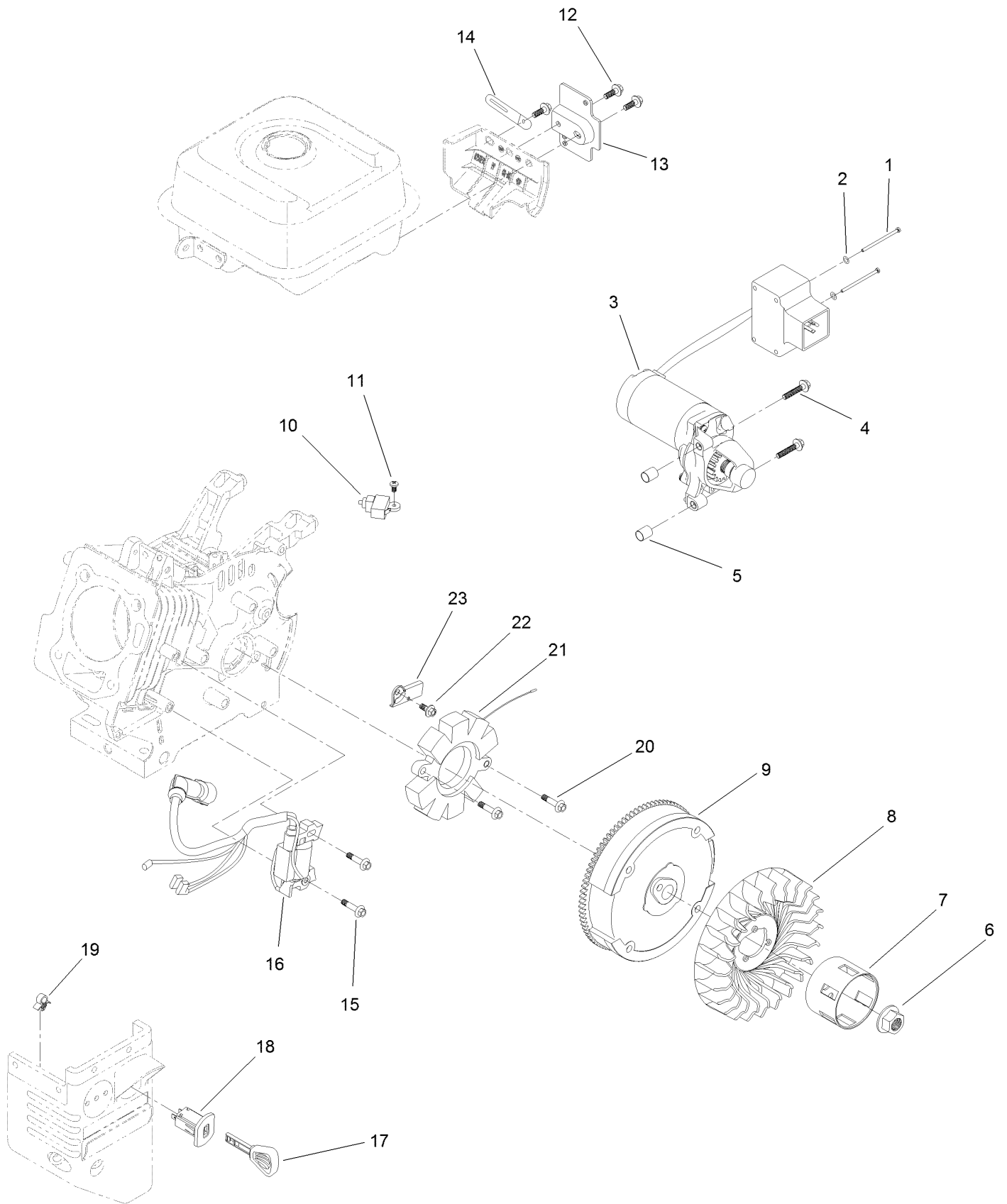
Intake and Exhaust Assembly



Intake and Exhaust Assembly (continued)

<i>Ref.</i>	<i>Part Number</i>	<i>Qty.</i>	<i>Description</i>	<i>Ref.</i>	<i>Part Number</i>	<i>Qty.</i>	<i>Description</i>
1	121-0294	6	Screw-HHF	6	121-0464	2	Stud-Exhaust
2	127-9491	1	Muffler Cover ASM	7	121-4112	2	Stud-Intake
3	121-0199	2	Nut-HH	8	127-9112	1	Box-Heater
4	127-9490	1	Muffler ASM	9	121-0308	2	Nut-Flange
5	133-1539	1	Gasket-Exhaust				

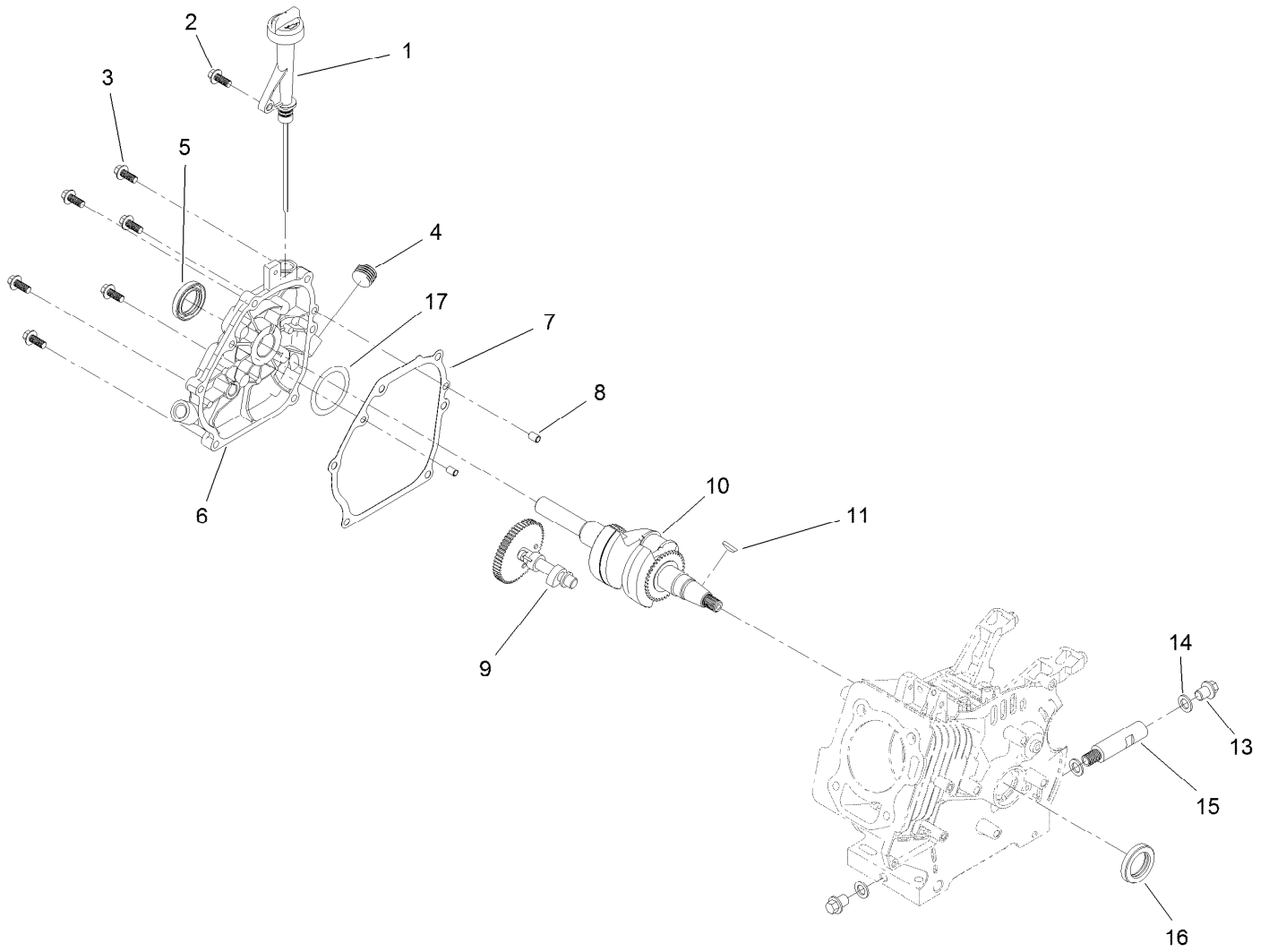
Ignition and Electrical Assembly



Ignition and Electrical Assembly (continued)

<i>Ref.</i>	<i>Part Number</i>	<i>Qty.</i>	<i>Description</i>	<i>Ref.</i>	<i>Part Number</i>	<i>Qty.</i>	<i>Description</i>
1	121-0306	2	Screw-Bhp	13	133-1554	1	Bracket-Switchbox, Starter
2	121-0312	2	Washer-Plain	14	121-0017	1	Clip-Harness, Wire
3	144-0988	1	Motor-Starter	15	121-0097	2	Screw-HHF
4	133-1546	2	Screw-Flange	16	133-9996	1	Ignition Coil ASM
5	121-0055	2	Pin-Dowel	17	117-7728	1	Key
6	121-0047	1	Nut-Flange	18	121-0283	1	Switch-Key
7	133-1527	1	Cup-Starter	19	121-0326	1	Clip
8	133-1526	1	Fan-Cooling	20	121-0196	2	Screw-HHF
9	127-9484	1	Flywheel ASM	21	127-9485	1	Alternator
10	121-0284	1	Switch-Kill, Engine	22	121-0116	1	Screw-HHF
11	120-4461	1	Screw-PPH	23	127-9486	1	Clamp-Wire, Charge
12	127-9123	3	Screw-HHF				

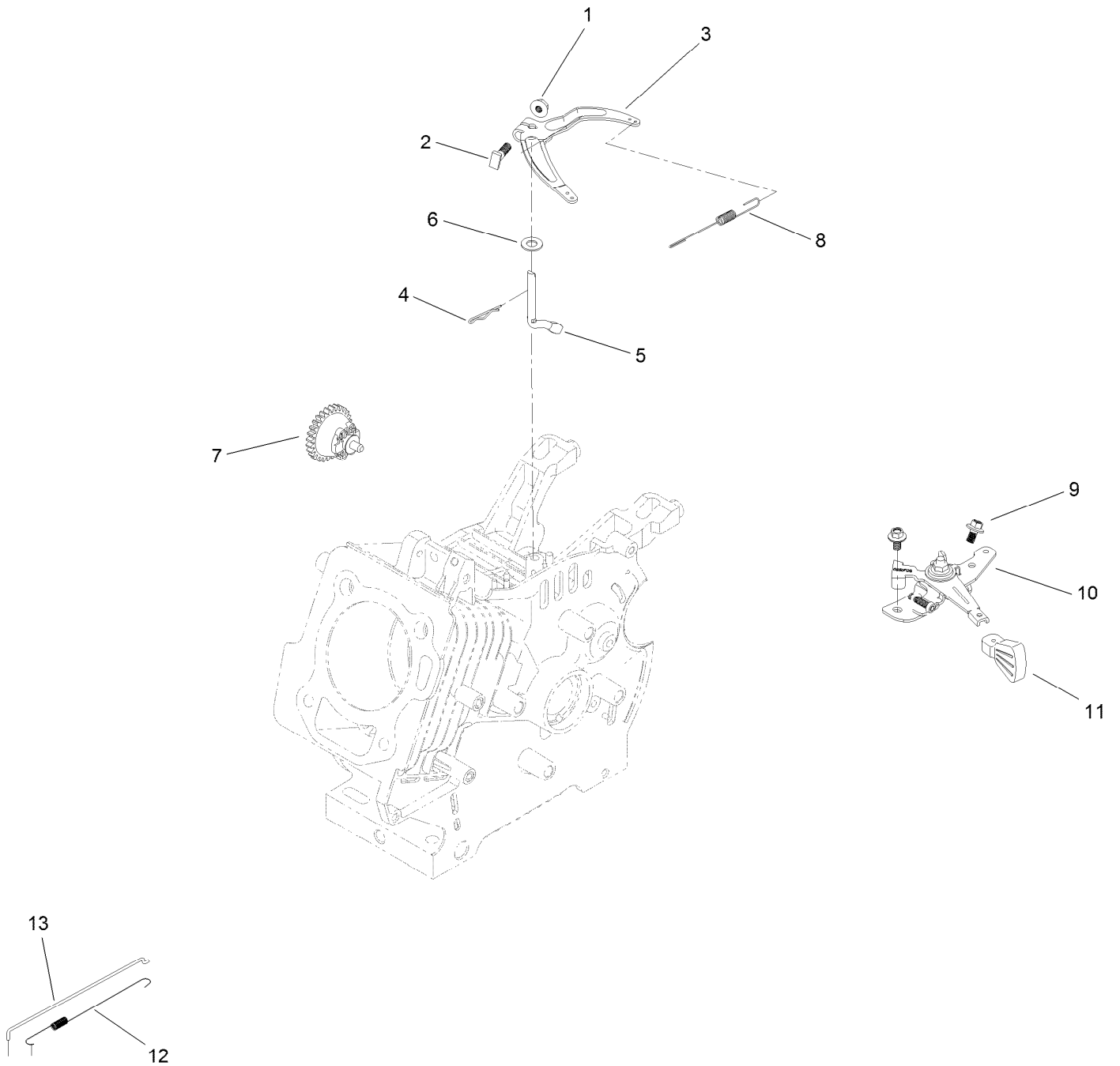
Crankcase Assembly



Crankcase Assembly (continued)

<i>Ref.</i>	<i>Part Number</i>	<i>Qty.</i>	<i>Description</i>	<i>Ref.</i>	<i>Part Number</i>	<i>Qty.</i>	<i>Description</i>
1	139-0734	1	Oil Fill ASM	9	133-9991	1	Camshaft ASM
2	127-9123	1	Screw-HHF	10	127-9495	1	Crankshaft
3	121-4114	6	Screw-HHF	11	120-4320	1	Key-Woodruff
4	133-9805	1	Plug-Drain	13	121-0030	2	Screw-HHF
5	133-1516	1	Seal-Oil	14	121-0048	3	Washer-Plain
6	133-9865	1	Cover-Crankcase	15	127-9104	1	Tube-Drain, Oil
7	127-9493	1	Gasket-Cover, Crankcase	16	133-9864	1	Seal-Oil
8	121-0054	2	Pin-Dowel	17	133-9863	1	Washer-Thrust

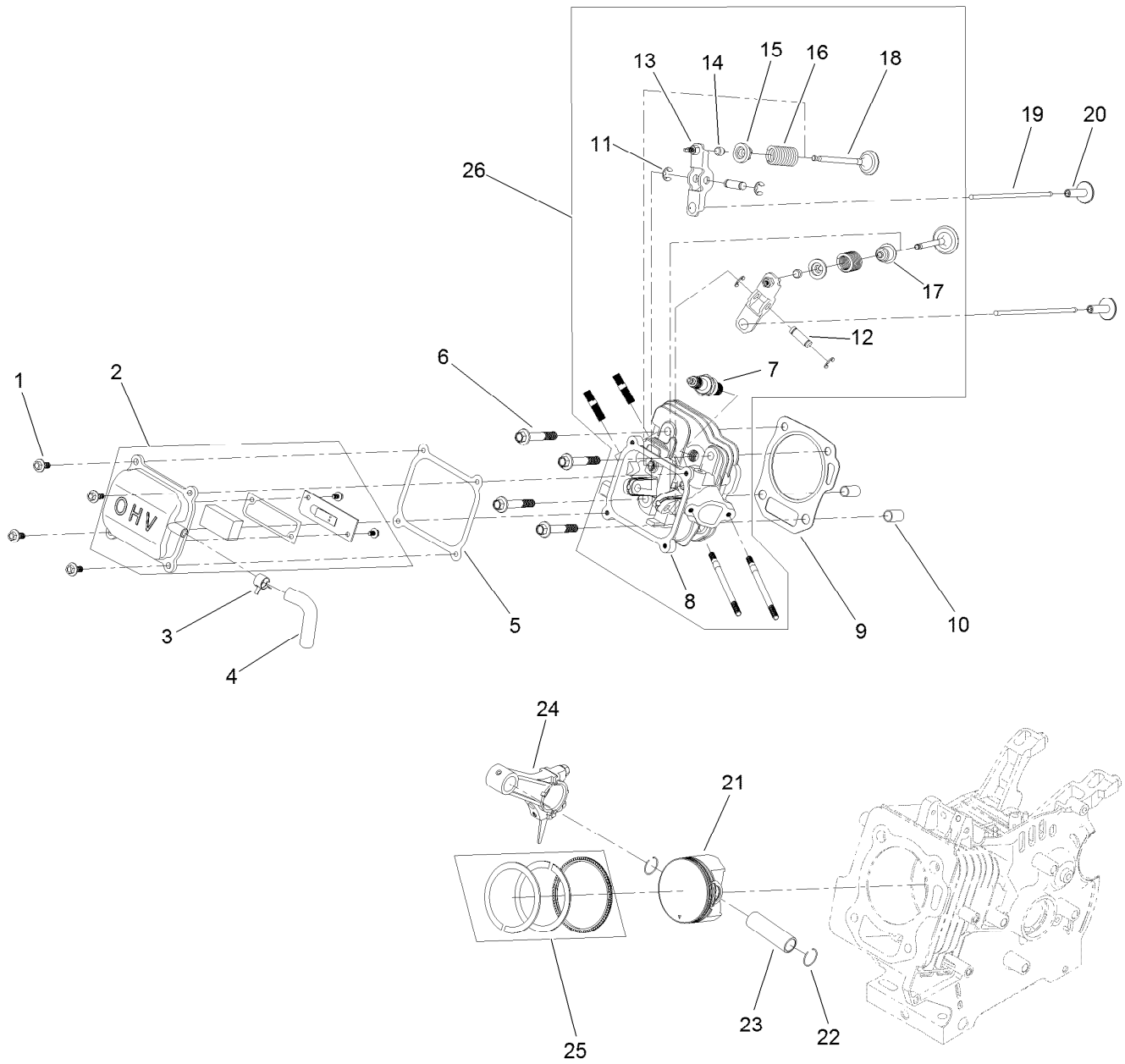
Governor Assembly



Governor Assembly (continued)

<i>Ref.</i>	<i>Part Number</i>	<i>Qty.</i>	<i>Description</i>	<i>Ref.</i>	<i>Part Number</i>	<i>Qty.</i>	<i>Description</i>
1	120-4236	1	Nut-Flange	8	127-9483	1	Spring-Governor
2	120-4238	1	Bolt-Arm, Governor	9	121-0116	2	Screw-HHF
3	127-9482	1	Arm-Governor	10	133-1555	1	Throttle Control ASM
4	120-4256	1	Pin-Hair	11	121-0269	1	Knob-Control, Throttle
5	133-9995	1	Shaft-Governor	12	133-1536	1	Spring-Return, Throttle
6	121-0498	1	Washer-Plain	13	133-1535	1	Rod-Governor
7	133-9994	1	Governor Gear ASM				

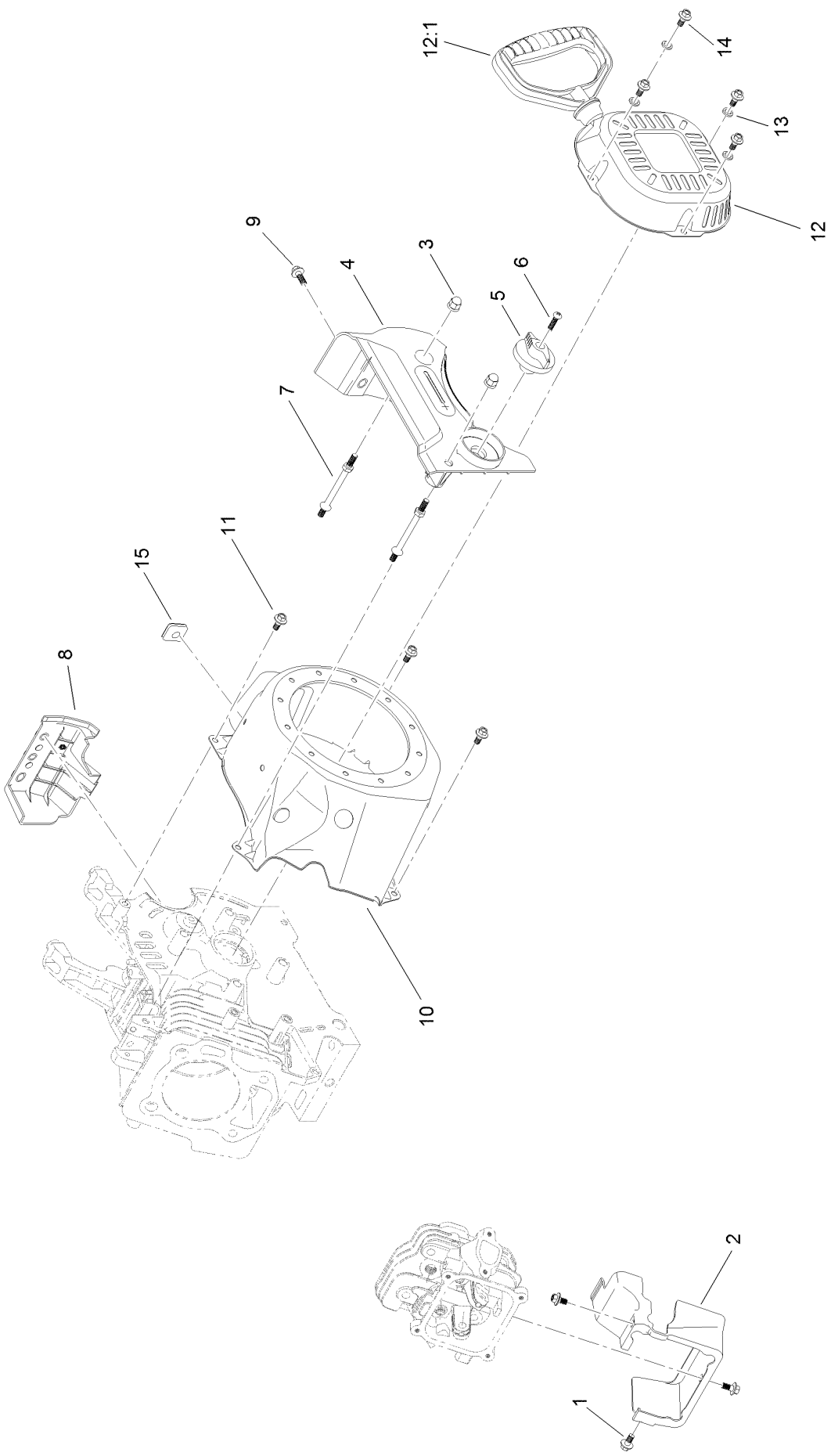
Piston and Head Assembly



Piston and Head Assembly (continued)

<i>Ref.</i>	<i>Part Number</i>	<i>Qty.</i>	<i>Description</i>	<i>Ref.</i>	<i>Part Number</i>	<i>Qty.</i>	<i>Description</i>
1	120-4454	4	Screw-HHF	14	121-4116	2	Rotator-Valve
2	133-1500	1	Valve Cover ASM	15	121-4117	2	Retainer-Spring, Valve
3	133-1558	1	Clamp-Hose	16	127-9014	2	Spring-Valve
4	133-9990	1	Tube-Breather	17	121-4202	1	Seal-Stem, Valve
5	133-1507	1	Gasket-Cover, Valve	18	133-1515	1	Set-Valve
6	133-1508	4	Screw-Flange	19	133-1514	2	Rod-Push
7	81-3250	1	Spark Plug	20	127-9015	2	Tappet-Valve
8	133-1509	1	Head-Cylinder	21	133-1522	1	Piston
9	133-1510	1	Gasket-Head	22	121-0313	2	Clip-Pin, Piston
10	120-4200	2	Pin-Dowel	23	121-4128	1	Pin-Piston
11	133-1511	4	E-Clip	24	121-4123	1	Connecting Rod ASM
12	133-1512	2	Pin-Arm, Rocker	25	133-1521	1	Set-Ring, Piston
13	133-1513	2	Rocker Arm ASM	26	133-9867	1	Complete Head ASM

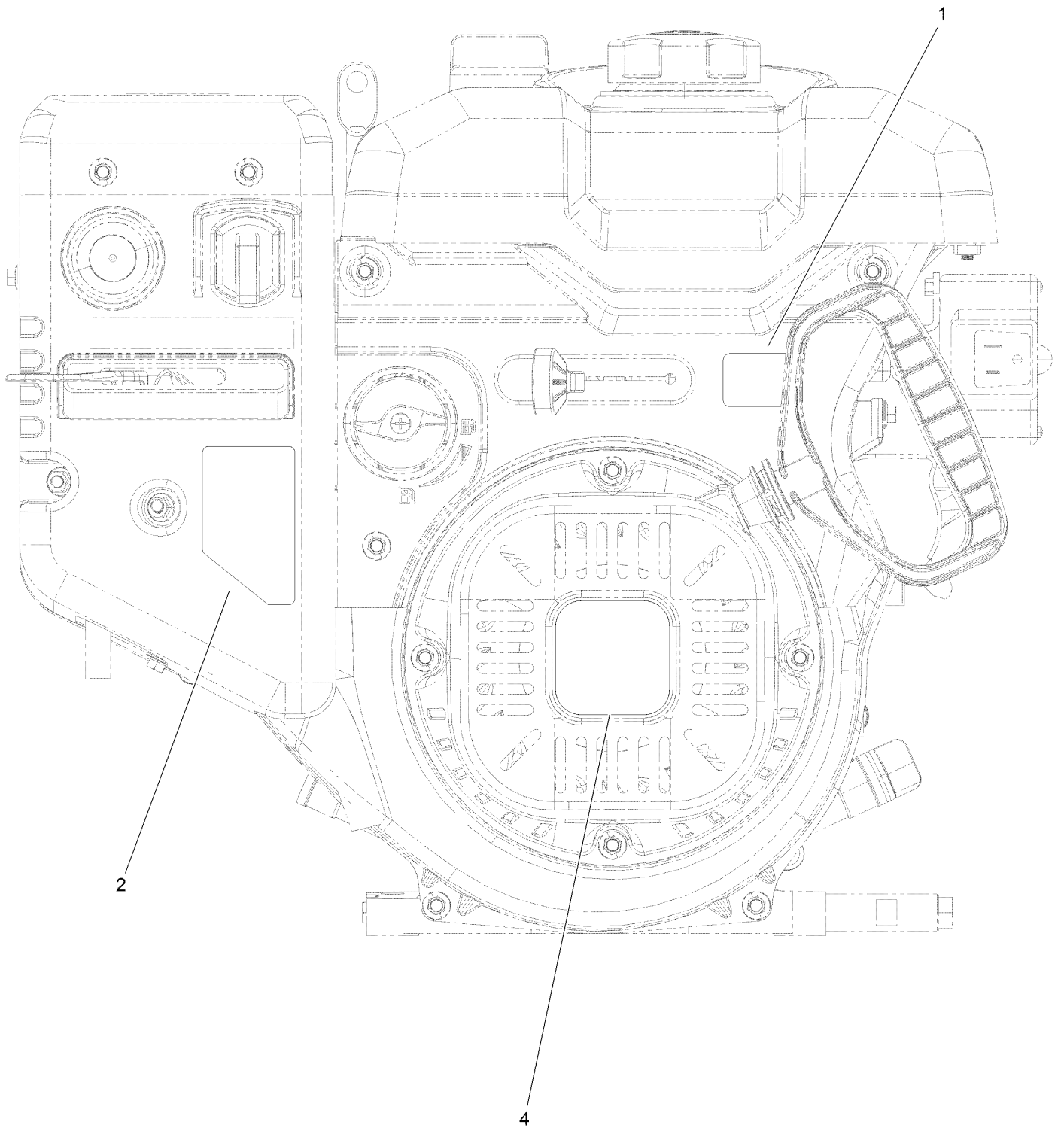
Blower Housing and Shrouds Assembly



Blower Housing and Shrouds Assembly (continued)

<i>Ref.</i>	<i>Part Number</i>	<i>Qty.</i>	<i>Description</i>	<i>Ref.</i>	<i>Part Number</i>	<i>Qty.</i>	<i>Description</i>
1	121-0116	3	Screw-HHF	9	127-9123	1	Screw-HHF
2	133-1530	1	Shroud-Head	10	133-1528	1	Shroud-Flywheel
3	127-9383	2	Nut-Acorn	11	121-0294	3	Screw-HHF
4	133-1557	1	Panel-Control, Front	12	127-9487	1	Recoil ASM
5	121-0268	1	Knob-Valve, Fuel	12:1	121-0287	1	Handle-Recoil
6	121-0305	1	Screw-Bhp	13	127-9380	4	Washer-Plain
7	127-9110	2	Stud-Mount	14	127-9031	4	Screw-HHF
8	133-1543	1	Panel-Side, Engine	15	133-1548	1	Grommet-Rubber

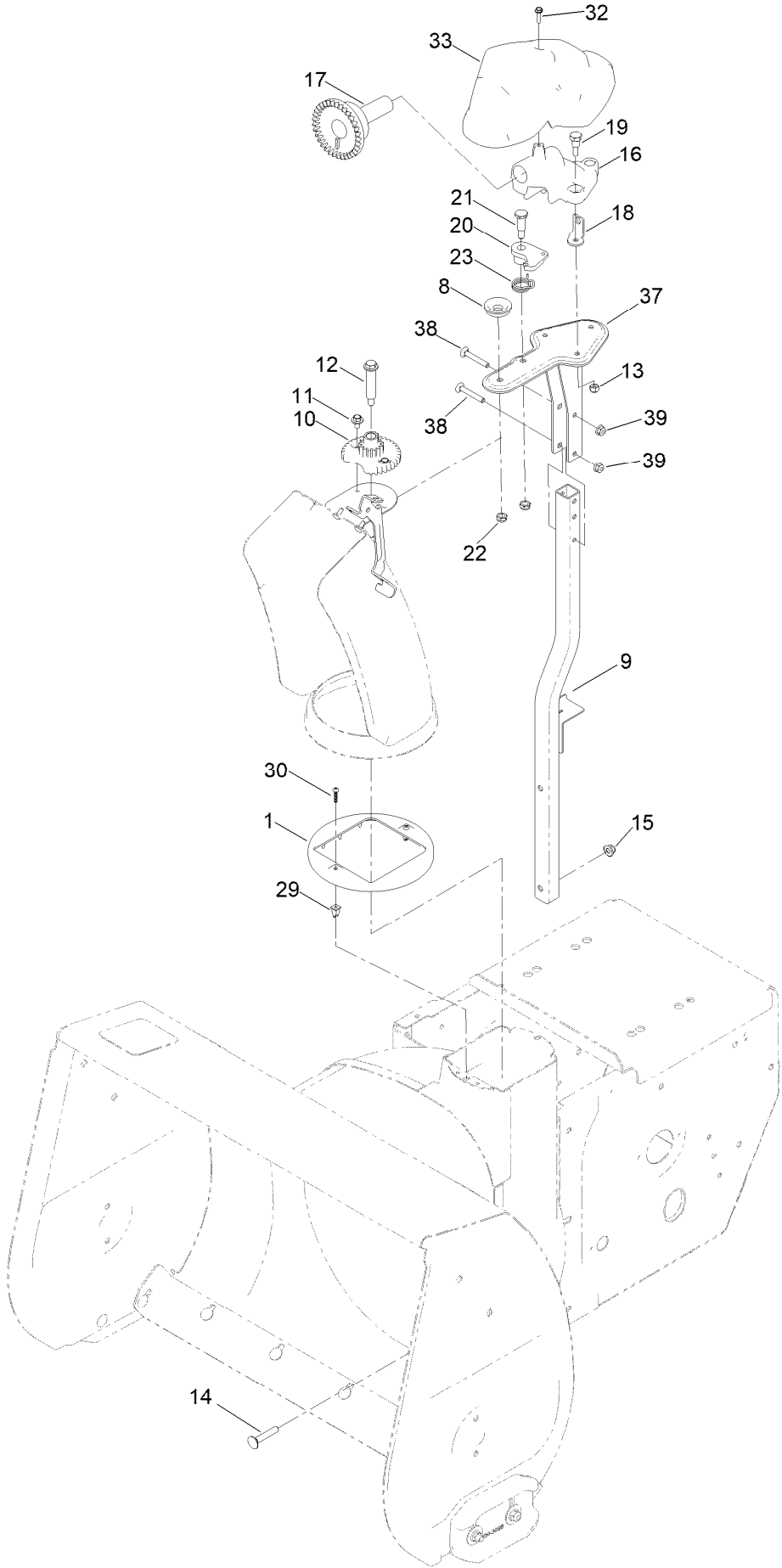
Engine Decal Assembly



Engine Decal Assembly (continued)

<i>Ref.</i>	<i>Part Number</i>	<i>Qty.</i>	<i>Description</i>
1	131-6487	1	Decal-Throttle
2	120-9805	1	Decal-Control, Engine
4	131-5912	1	Decal-Recoil, G250

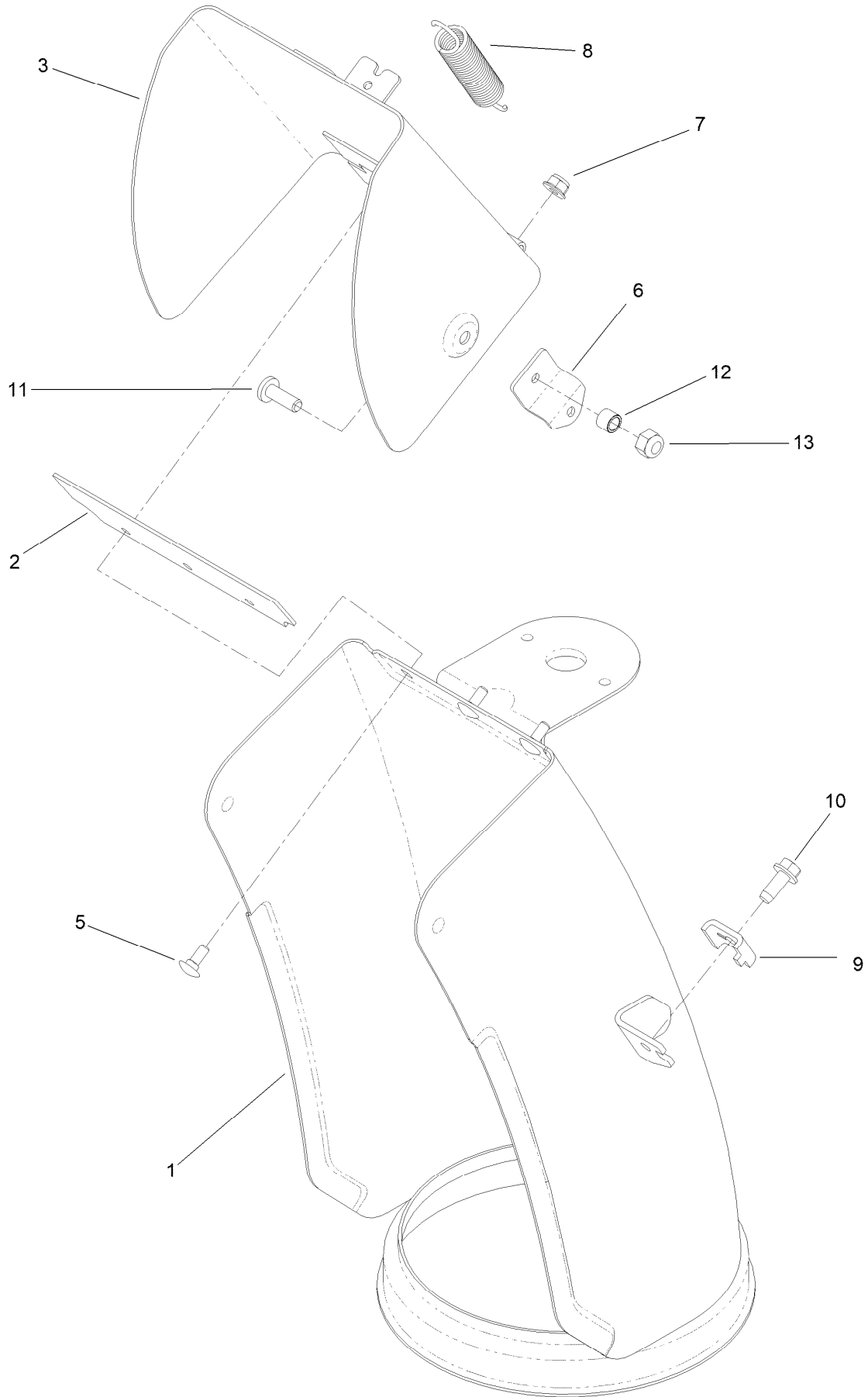
Chute Assembly



Chute Assembly (continued)

<i>Ref.</i>	<i>Part Number</i>	<i>Qty.</i>	<i>Description</i>	<i>Ref.</i>	<i>Part Number</i>	<i>Qty.</i>	<i>Description</i>
1	136-6515	1	Guide-Chute	19	136-7197	3	Screw-Shoulder
8	106-4422	1	Spacer-Chute	20	136-6525	1	Latch-Chute
9	144-1647-03	1	Support-Chute Weld ASM, Lower	21	137-3103	1	Screw-Shoulder, HH
10	106-4472	1	Gear-Chute	22	137-3089	2	Nut-Hex
11	46-6810	2	Screw And Washer ASM	23	108-7315	1	Spring-Torsion
12	136-7199	1	Bolt-Shoulder	29	136-6586	2	Grommet-Screw
13	137-3088	3	Nut-Hex	30	94-4496	2	Screw-PPH
14	137-3063	2	Bolt-Car	32	137-3110	1	Screw-Plastite, HWH
15	119-4041	2	Nut-HF	33	136-6672	1	Cover-Gear, Face
16	136-6517	1	Mount-Gear, Face	37	144-1645-03	1	Support-Chute Weld ASM, Upper
17	106-4471	1	Gear-Face	38	120-9698	2	Bolt-CARR
18	136-6676	1	Anchor-Cable	39	119-4040	2	Nut-HF, NI

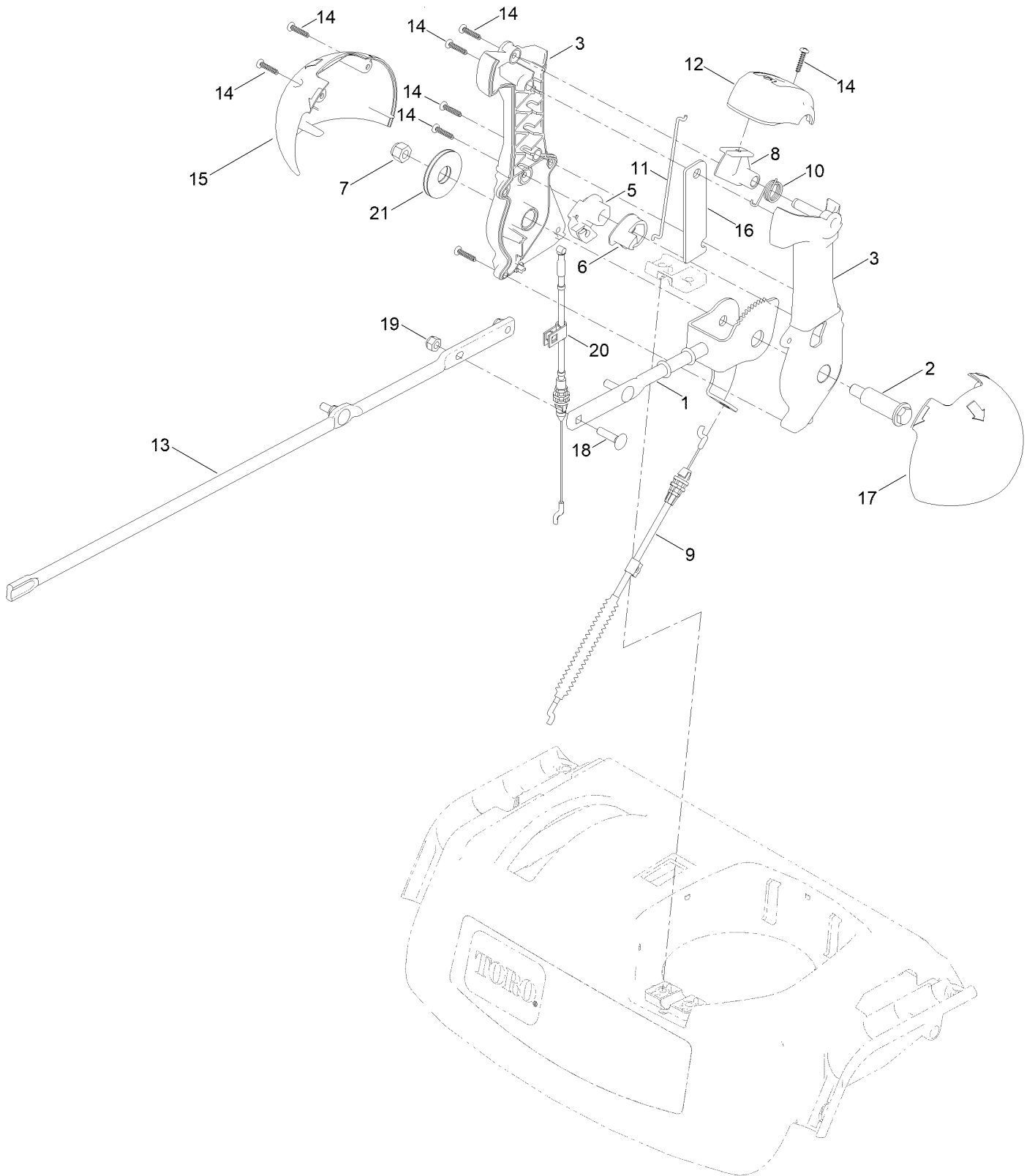
Lower Chute Assembly



Lower Chute Assembly (continued)

<i>Ref.</i>	<i>Part Number</i>	<i>Qty.</i>	<i>Description</i>	<i>Ref.</i>	<i>Part Number</i>	<i>Qty.</i>	<i>Description</i>
1	144-1246-01	1	Chute-Lower ASM [red]	8	138-8493	1	Spring-Chute, Upper
2	138-3671	1	Gasket-Deflector	9	136-7191	1	Clamp-Cable
3	138-3615-01	1	Deflector	10	32144-85	1	Screw-HWH Thd Form
5	135-1929	3	Bolt-CARR	11	138-0689	1	Screw-PH
6	138-3612-01	1	Bracket-Spring	12	138-3678	1	Spacer
7	138-0719	3	Nut-HF	13	137-3094	1	Nut-Hex

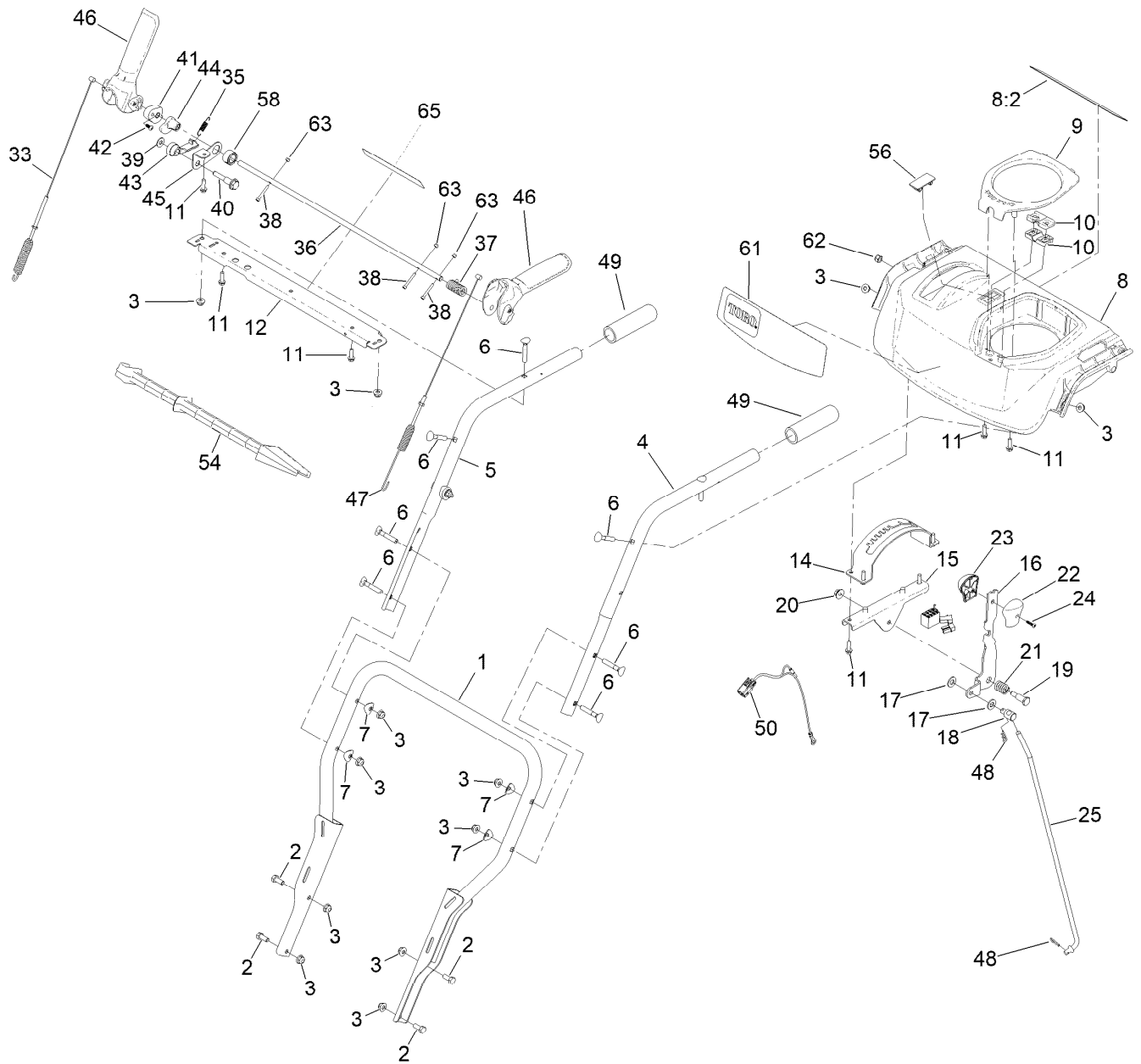
Chute Control Assembly



Chute Control Assembly (continued)

<i>Ref.</i>	<i>Part Number</i>	<i>Qty.</i>	<i>Description</i>	<i>Ref.</i>	<i>Part Number</i>	<i>Qty.</i>	<i>Description</i>
1	138-0662	1	Rod-Control, Chute	12	137-6239	1	Cap-Lever
2	138-0659	1	Screw-Shoulder, HWH	13	136-6578	1	Rod-Chute, Rotation
3	139-1552	1	Chute Control Lever ASM	14	94-4496	8	Screw-PPH
5	105-9988	1	Lever-Cable, Deflector	15	136-6677	1	Globe-Quickstick, RH
6	106-7310	1	Pawl-Latch	16	136-6632-03	1	Plate-Stiffner
7	137-3087	1	Nut-Hex	17	136-6678	1	Globe-Quickstick, LH
8	137-6238	1	Trigger-Latch	18	137-3056	3	Bolt-CARR
9	144-1227	1	Cable-Deflector	19	137-3094	3	Nut-Hex
10	105-9982	1	Spring-Torsion	20	139-9903	1	Cable-Release, Chute
11	138-0688	1	Link-Latch	21	138-0744	1	Washer-Friction, Composite

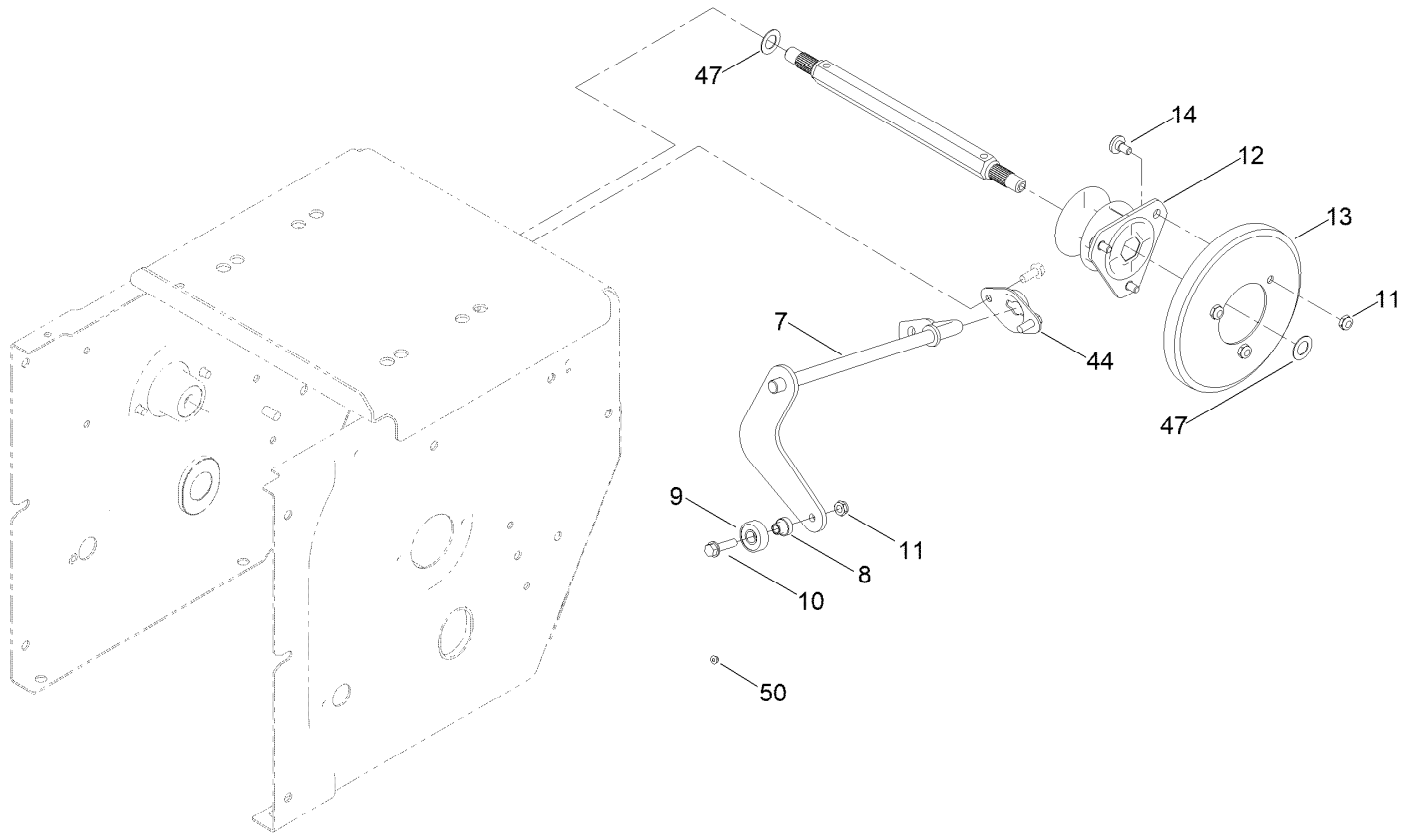
Handle Assembly



Handle Assembly (continued)

<i>Ref.</i>	<i>Part Number</i>	<i>Qty.</i>	<i>Description</i>	<i>Ref.</i>	<i>Part Number</i>	<i>Qty.</i>	<i>Description</i>
1	136-6682-03	1	Lower Handle ASM	33	138-3661	1	Cable-Auger
2	137-3052	4	Screw-HH	35	136-7161	1	Spring-Lockout, Handle
3	138-8401	12	Nut-HF	36	137-6182	1	Rod-Lockout
4	137-6206-03	1	Handle-Upper, LH	37	138-0678	1	Spring-Torsion, Handle Return
5	137-6207-03	1	Handle-Upper, RH	38	145-0660	3	Screw-HSH,Spl
6	137-3107	8	Screw-Handle	39	98-3499	1	Washer-Flat
7	137-3009	4	Washer-Cup	40	138-0681	1	Screw-Shoulder
8	145-0665	1	Control Panel Assembly	41	144-0320	1	Handle Lock
8:2	137-6249	1	Decal-Safety	42	137-9137	1	Screw-PPH
9	137-6178	1	Cover-Quickstick	43	144-0321	1	Latch, Lockout
10	105-9987	2	Support-Rod	44	138-8466	1	Cam-Lockout
11	137-3099	9	Screw-Plastite, HWH	45	138-3652	1	Link-Lockout
12	137-6197-01	1	Brace-Console	46	137-6171	2	Lever-Control
14	137-6187-03	1	Gate-Shift	47	138-0728	1	Cable-Traction
15	137-6188-03	1	Bracket-Shift	48	137-3083	2	Pin-Hair
16	137-6231-03	1	Selector-Speed	49	120-1333	2	Grip-Handle
17	115-1166	2	Washer-Plain	50	138-3645	1	Harness-Wire, LED
18	136-7193	1	Trunnion-Rod	54	110-3408	1	Stick-Cleanout
19	137-3103	1	Screw-Shoulder, HH	56	99-7420	1	Plug-Hole
20	137-3038	1	Nut-HF	58	138-8467	1	Collar-Cam
21	136-7121	1	Spring-Compression	61	144-0308	1	Decal-Console
22	105-9999	1	Knob-Shift, LH	62	137-3093	1	Nut-Hex
23	106-4423	1	Knob-Shift, RH	63	140-3749	3	Nut-Lock Rohs
24	94-4496	1	Screw-PPH	65	144-1619	1	Decal-Hydro, Trx
25	137-6225	1	Rod-Shift				

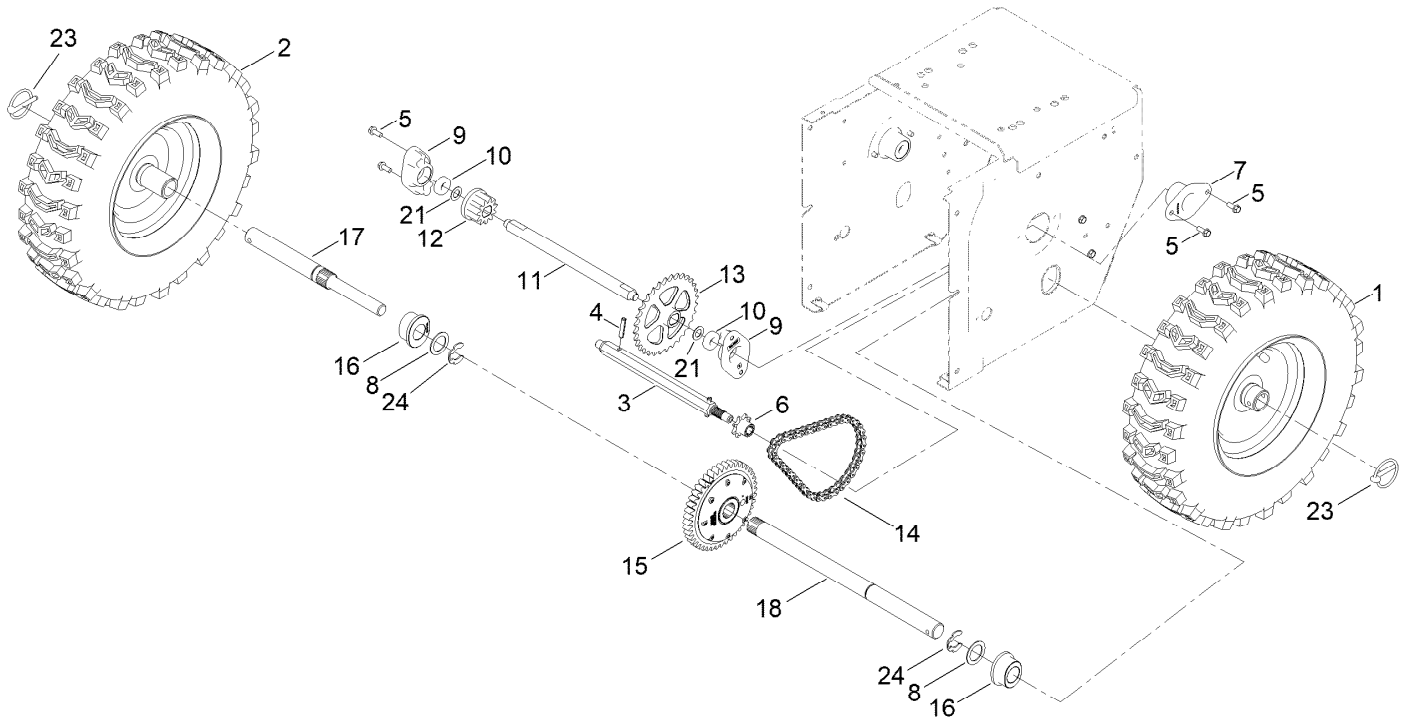
Traction Drive Assembly



Traction Drive Assembly (continued)

<i>Ref.</i>	<i>Part Number</i>	<i>Qty.</i>	<i>Description</i>	<i>Ref.</i>	<i>Part Number</i>	<i>Qty.</i>	<i>Description</i>
7	137-6162-03	1	Rod-Shift	13	119-1567	1	Wheel-Friction
8	119-7684	1	Spacer-Plate, Shift	14	137-6246	3	Screw-Shoulder
9	121-6835	1	Bearing-Ball	44	136-6647-03	1	Retainer-Rod, Shift
10	32144-86	1	Screw-HWHTF	47	36-4780	2	Washer-Plain
11	137-3091	4	Nut-Hex	50	119-4040	2	Nut-HF, NI
12	119-7630	1	Trunnion				

Autoturn Drive Assembly



Autoturn Drive Assembly (continued)

<i>Ref.</i>	<i>Part Number</i>	<i>Qty.</i>	<i>Description</i>	<i>Ref.</i>	<i>Part Number</i>	<i>Qty.</i>	<i>Description</i>
1	136-6668	1	LH Wheel And Tire ASM	11	136-6692	1	Shaft-Intermediate
2	136-6667	1	RH Wheel And Tire ASM	12	136-6699	1	Tooth-Gear, 11
3	138-0745	1	Shaft-Hex	13	136-6698	1	Sprocket-32T
4	32121-9	2	Pin-Roll, Slotted	14	108-0016	1	Chain-Roller
5	32144-85	8	Screw-HWH Thd Form	15	140-3748	1	Transmission-Gt, Di300
6	125-1134	1	Gear-Pinion, 8 Tooth	16	136-6641	2	Bushing-Axle
7	108-7319	2	Retainer-Bearing	17	140-3711	1	Axle-Rt, HD
8	138-0725	2	Washer-Thrust	18	140-3736	1	Axle -Lt, HD
9	136-6697	2	Retainer-Bearing, Intermediate	21	36-4780	2	Washer-Plain
10	52-2450	2	Bearing-Wheel	23	138-3642	2	Pin-Klik
				24	32151-91	2	Ring-Retaining

Attachments and Accessories

For 38838 Power Max Heavy Duty 828 OAE Snowthrower

Product Name	Model/Part
Heavy-Duty Skid Kit.....	125-1104
Snow Cab Kit.....	127-5960
Kit Red Heated Grips.....	144-1603
Non-Marking Skid Kit.....	38211
Drift Breaker Kit.....	38213
Tire Chain Kit, 16in Tires.....	38215
Toro Snow Oil 0W30 Synthetic 20-Ounce Bottle.....	38913
Power Max HD Covers (2019).....	490-7415

Notes:

Notes:

Notes:



Count on it.