



**Count on it.**

**Parts Catalog**

**Greensmaster® eTriFlex 3360  
Traction Unit**

Model No. 04580—Serial No. 415320290 and Up



# Ordering Replacement Parts

To order replacement parts, please supply the part number, the quantity, and the description of each part desired.

## Understanding Reference Numbers

Each identified part in an illustration has a reference number. The reference number for a part also appears in the parts list, along with other information about the part.

This catalog uses two special reference number formats, one to indicate parts in a service assembly and another to indicate the quantity of a given part in an illustration.

## Service Assembly Reference Numbers

Parts in service assemblies have reference numbers in the form a:b. The a represents the reference number of the entire service assembly and the b represents a sequential number unique to each part within the service assembly.

For example, a wheel assembly might be identified by reference number 6, the tire by 6:1, the valve by 6:2, and the wheel by 6:3. When you order the assembly identified by reference number 6, you receive all parts identified by reference numbers 6:1, 6:2, and 6:3. However, you may also order any part individually. Reference numbers of this type appear in illustration and in parts lists.

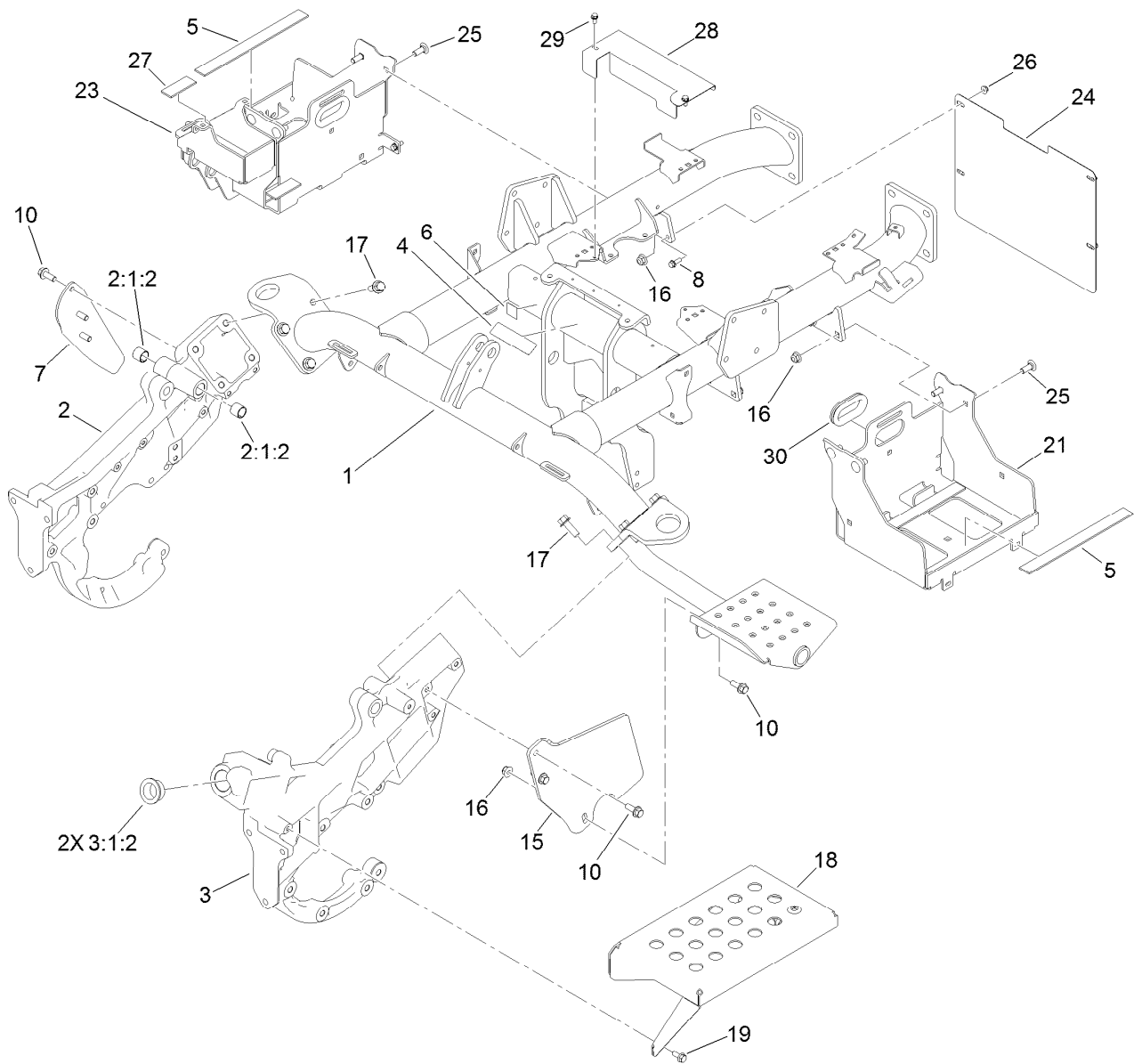
## Reference Numbers Indicating Quantity

In an illustration, if a reference number indicates more than one part, the reference number has the form nX y. The n represents the quantity of the part, the X is the multiplication symbol, and the y represents the reference number.

For example, in an illustration, the reference number 2X 37 means that two of the parts identified by reference number 37 are indicated.

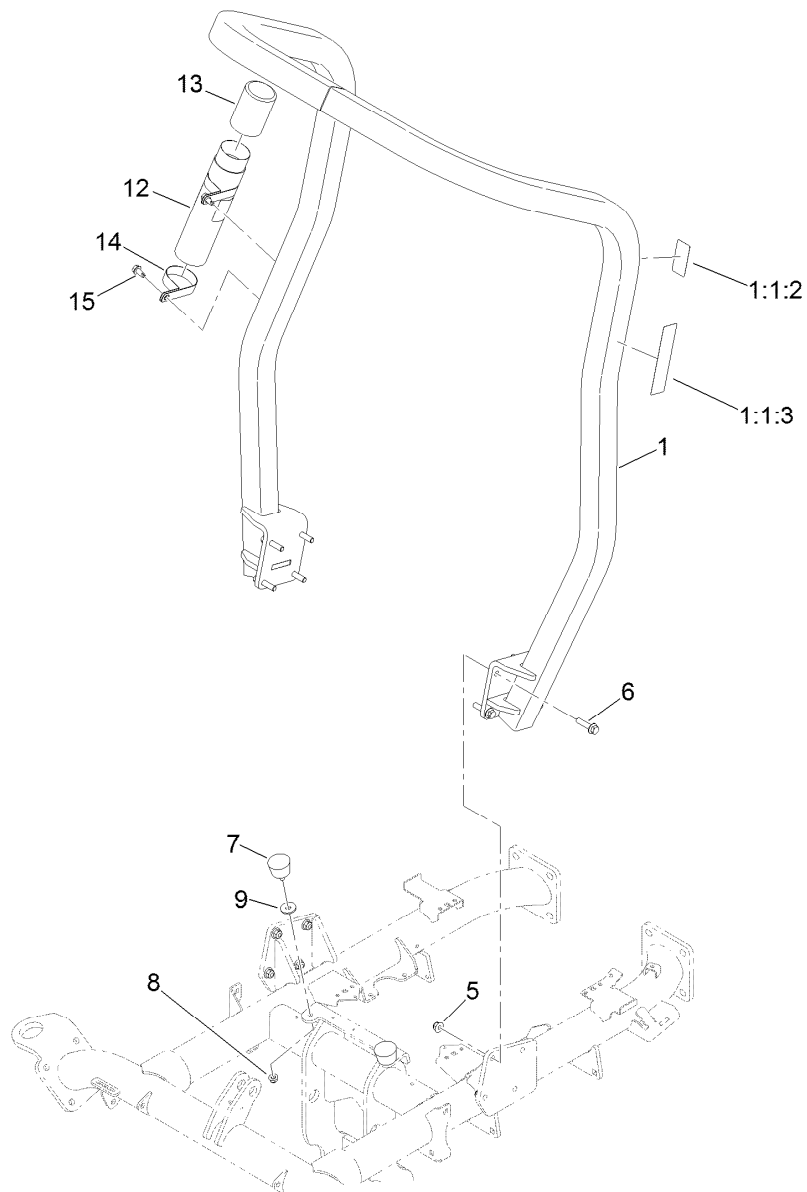
# Contents

|   |    |
|---|----|
| Frame Assembly.....                             | 4  |
| ROPS Assembly.....                              | 5  |
| Platform Assembly.....                          | 6  |
| Traction Pedal Assembly.....                    | 7  |
| Brake Pedal Assembly.....                       | 8  |
| Brake Actuator Assembly.....                    | 9  |
| Brake Rod Assembly No. 137-2185.....            | 10 |
| Steering Assembly.....                          | 11 |
| Wheel and Tire Assembly.....                    | 12 |
| Wheel Spindle Assembly No. 119-4490.....        | 13 |
| Console Assembly.....                           | 14 |
| Joystick Bracket Assembly No. 120-5280.....     | 15 |
| Seat Plate Assembly.....                        | 16 |
| Engine Assembly.....                            | 17 |
| Generator/Controller Assembly No. 127-2580..... | 19 |
| Generator Assembly No. 127-2579.....            | 20 |
| Generator Service Assembly No. 127-2578.....    | 21 |
| Traction Assembly.....                          | 22 |
| RH Wheel Motor Assembly No. 139-8565.....       | 23 |
| Gearbox Assembly No. 127-1529.....              | 24 |
| LH Wheel Motor Assembly No. 139-8567.....       | 25 |
| Lift Assembly.....                              | 26 |
| Suspension, Reel Motor and Basket Assembly..... | 27 |
| Motor Assembly.....                             | 28 |
| Basket Assembly No. 132-9599.....               | 29 |
| Suspension Pin Position Assembly.....           | 30 |
| Fuel Tank and Hood Assembly.....                | 31 |
| Hood Assembly No. 139-8316.....                 | 32 |
| Electrical Assembly.....                        | 33 |
| Wire Harness Assembly No. 122-1921.....         | 35 |
| Controller Assembly.....                        | 36 |
| Battery Assembly.....                           | 37 |
| Suspension A-Arm Assembly.....                  | 39 |
| Suspension Crossarm Assembly.....               | 40 |
| Attachments and Accessories.....                | 41 |



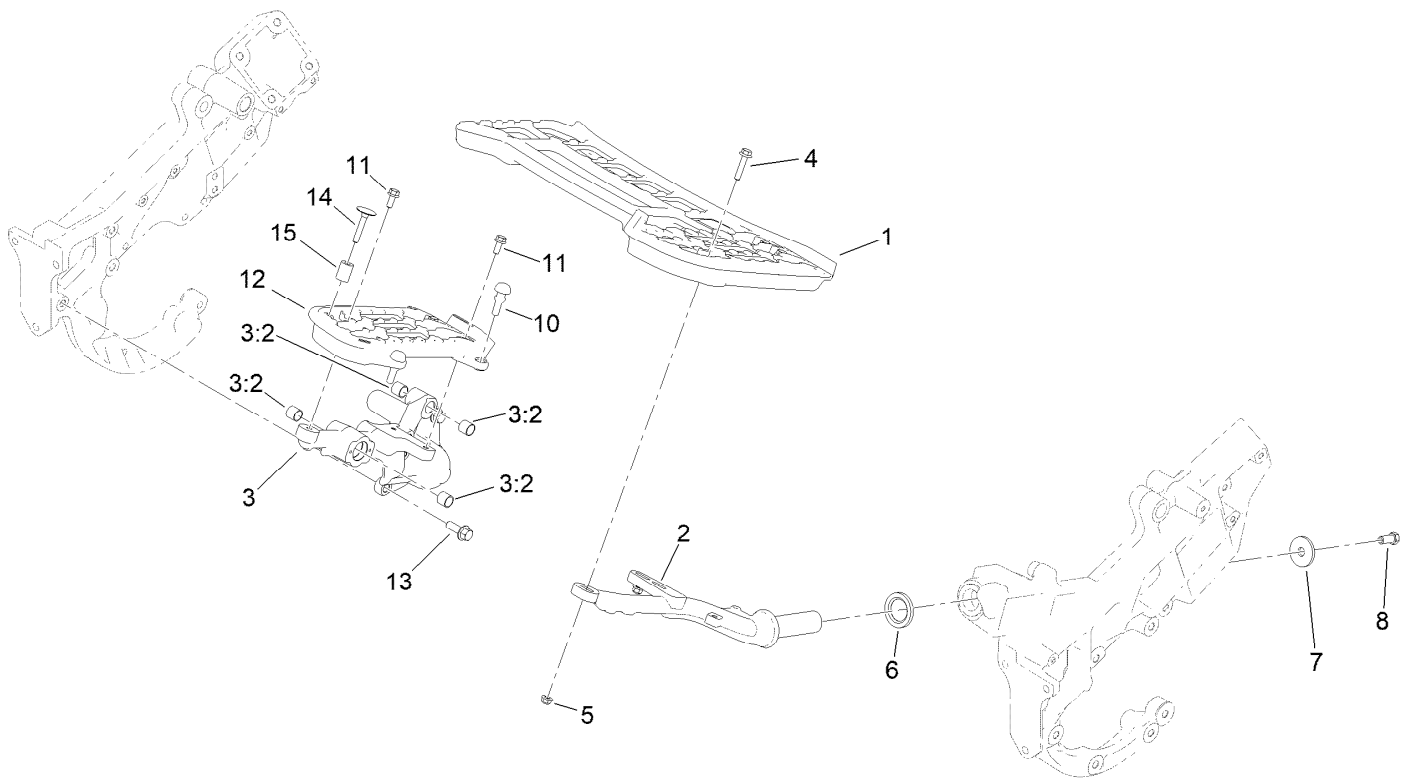
## Frame Assembly

| <i>Ref.</i> | <i>Part Number</i> | <i>Qty.</i> | <i>Description</i>    | <i>Ref.</i> | <i>Part Number</i> | <i>Qty.</i> | <i>Description</i> |
|-------------|--------------------|-------------|-----------------------|-------------|--------------------|-------------|--------------------|
| 1           | 139-8585SP         | 1           | Frame ASM             | 17          | 117-9035           | 8           | Screw-HHF          |
| 2           | 139-8318           | 1           | Side Casting, RH      | 18          | 132-9994-01        | 1           | Step               |
| 2:1:2       | 94-9609            | 2           | Bushing-Straight      | 19          | 3234-47            | 4           | Screw-HHF          |
| 3           | 139-8319           | 1           | Side Casting, LH      | 21          | 137-7972-01        | 1           | Tray-Battery       |
| 3:1:2       | 60-0080            | 2           | Bushing               | 23          | 137-7797-01        | 1           | Tray-Battery, RH   |
| 4           | 133-8062           | 1           | Decal-Spark Arrestor  | 24          | 137-7799-01        | 1           | Shield-Heat        |
| 5           | 133-5782           | 4           | Strip-Foam            | 25          | 3231-22            | 8           | Screw-CARR         |
| 6           | 138-9470           | 1           | Decal-Markings, CE-Uk | 26          | 104-7201           | 4           | Nut-HF, NI         |
| 7           | 133-0062-01        | 1           | Bracket-Jack          | 27          | 133-0081           | 2           | Strip-Foam         |
| 8           | 115-5103           | 4           | Screw-HHF             | 28          | 139-8571-03        | 1           | Cover-Pulley       |
| 10          | 3234-42            | 6           | Screw-HHF             | 29          | 32144-4            | 2           | Screw-HWH          |
| 15          | 133-0004-01        | 1           | Bracket-Step          | 30          | 240-12             | 2           | Grommet-Rubber     |
| 16          | 104-8301           | 9           | Nut-HF, NI            |             |                    |             |                    |



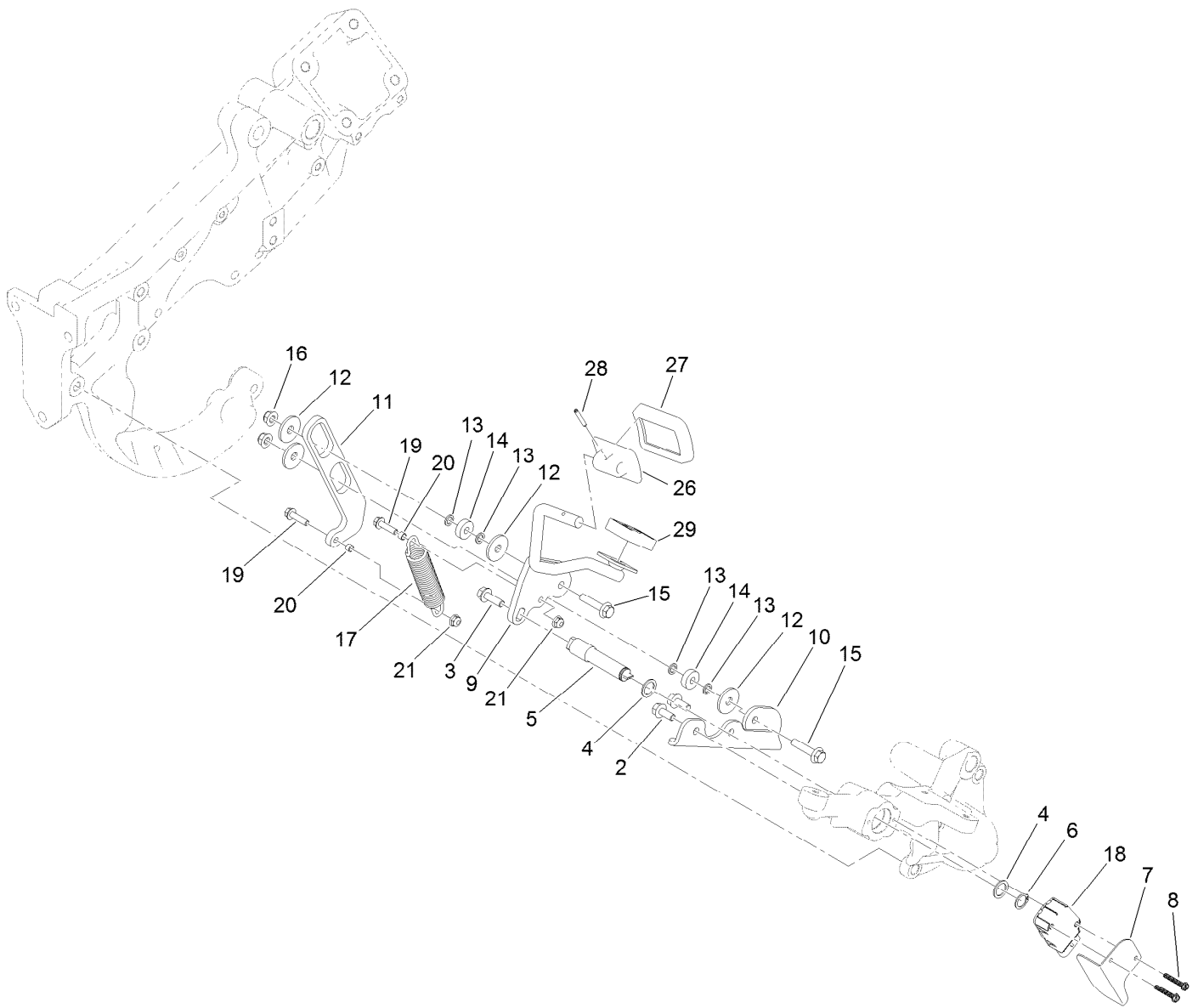
## ROPS Assembly

| <i>Ref.</i> | <i>Part Number</i> | <i>Qty.</i> | <i>Description</i> |
|-------------|--------------------|-------------|--------------------|
| 1           | 139-8311           | 1           | ROPS ASM           |
| 1:1:2       | 115-8199           | 1           | Decal-ROPS         |
| 1:1:3       | 115-8226           | 1           | Decal-ROPS         |
| 5           | 104-8301           | 8           | Nut-HF, NI         |
| 6           | 137-7951           | 8           | Screw-HHF          |
| 7           | 68-3270            | 2           | Bumper-Rubber      |
| 8           | 104-8300           | 2           | Nut-HF, NI         |
| 9           | 52-2861            | 2           | Washer             |
| 12          | 104-7050           | 1           | Tube-Manual        |
| 13          | 104-7048           | 1           | Cap-Housing        |
| 14          | 2412-133           | 2           | Clamp-R            |
| 15          | 32104-32           | 2           | Screw-HWH          |



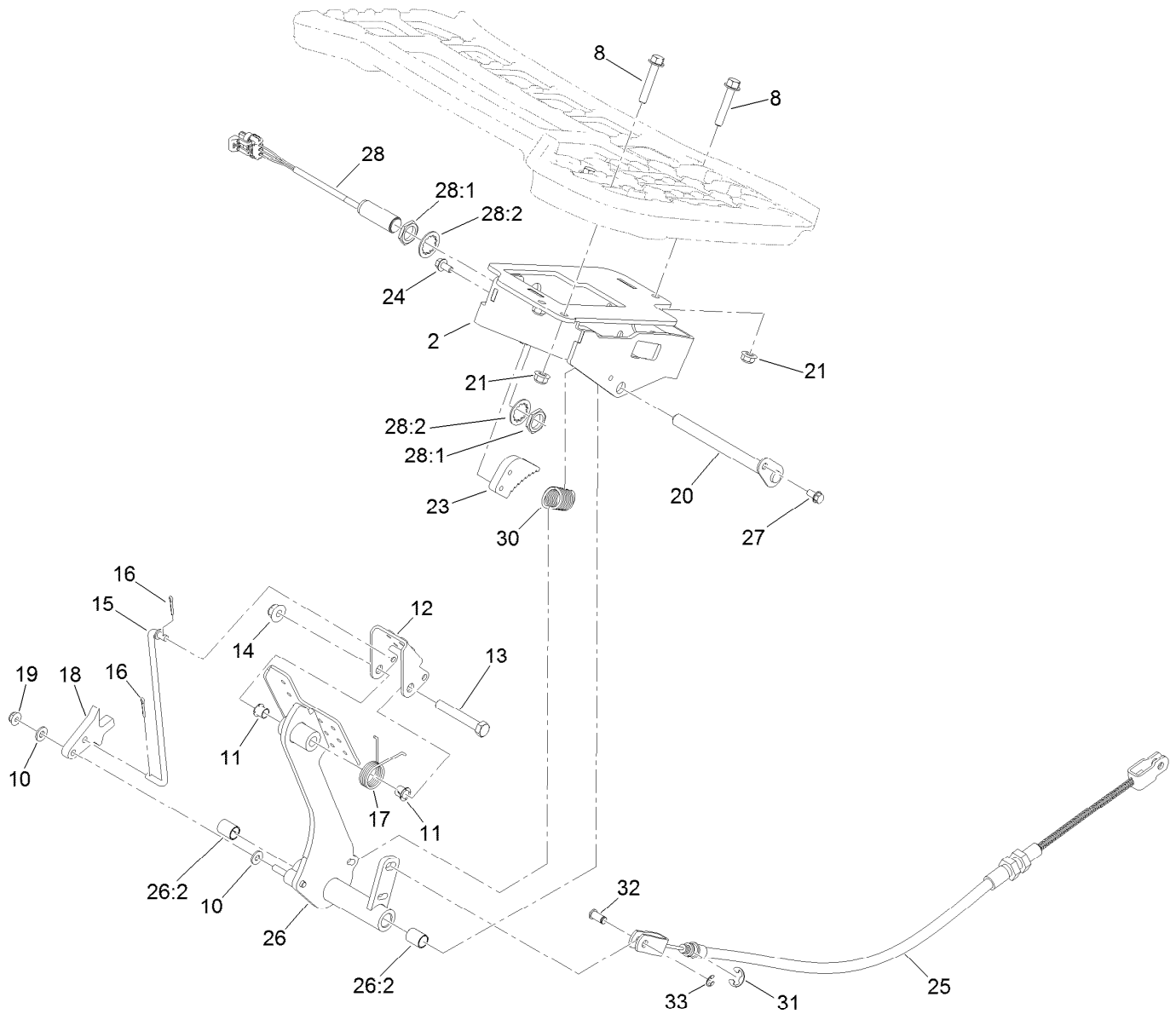
## Platform Assembly

| Ref. | Part Number | Qty. | Description                 |
|------|-------------|------|-----------------------------|
| 1    | 137-7768    | 1    | Platform-LH                 |
| 2    | 139-8575-01 | 1    | Support-Platform, LH (Mach) |
| 3    | 132-9895    | 1    | Support-Platform, RH        |
| 3:2  | 256-311     | 4    | Bushing-Split               |
| 4    | 115-1794    | 3    | Screw-HHF                   |
| 5    | 104-8300    | 3    | Nut-HF, NI                  |
| 6    | 94-8946     | 1    | Washer-Thrust               |
| 7    | 84-1560     | 1    | Washer-Thrust               |
| 8    | 324-4       | 1    | Screw-HH                    |
| 10   | 117-9072    | 2    | Bumper-Rubber               |
| 11   | 3234-47     | 3    | Screw-HHF                   |
| 12   | 117-9008    | 1    | Platform-RH                 |
| 13   | 117-9035    | 3    | Screw-HHF                   |
| 14   | 115-8240    | 1    | Screw-Elevator              |
| 15   | 119-0718    | 1    | Spacer                      |



## Traction Pedal Assembly

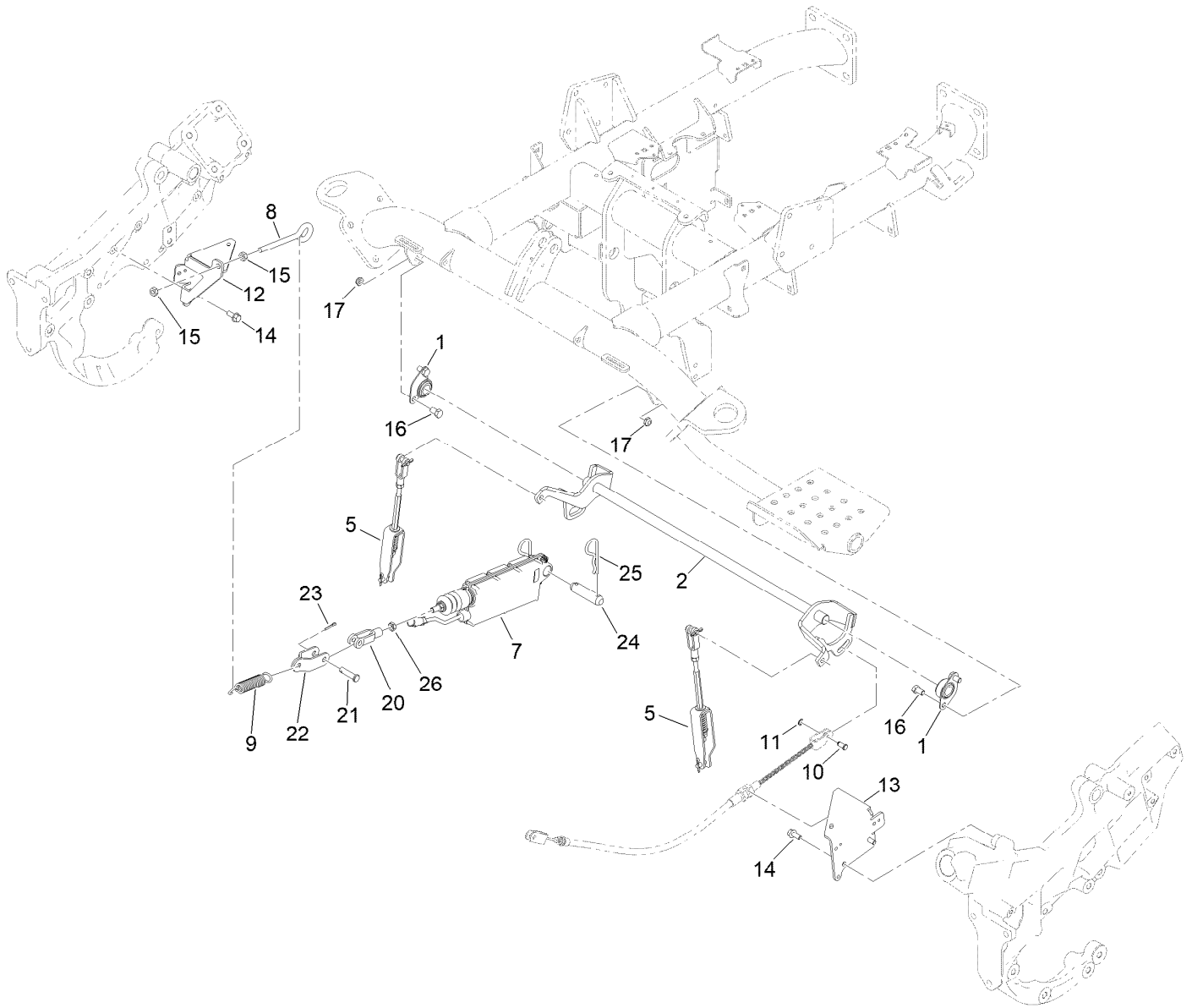
| <i>Ref.</i> | <i>Part Number</i> | <i>Qty.</i> | <i>Description</i>      | <i>Ref.</i> | <i>Part Number</i> | <i>Qty.</i> | <i>Description</i> |
|-------------|--------------------|-------------|-------------------------|-------------|--------------------|-------------|--------------------|
| 2           | 98-9940            | 2           | Screw-HHF               | 14          | 251-259            | 2           | Bearing-Ball       |
| 3           | 115-5142           | 1           | Screw-HHF               | 15          | 115-1794           | 2           | Screw-HHF          |
| 4           | 7-3590             | 2           | Washer                  | 16          | 104-8300           | 2           | Nut-HF, NI         |
| 5           | 132-9852           | 1           | Shaft-Pedal             | 17          | 137-7944           | 1           | Spring-Extension   |
| 6           | 32151-62           | 1           | Ring-Retaining          | 18          | 122-0917           | 1           | Sensor-Position    |
| 7           | 121-7035           | 1           | Shield-Sensor           | 19          | 120-4654           | 2           | Screw-HHF          |
| 8           | 692501             | 2           | Screw-SHWH              | 20          | 121-2015           | 2           | Spacer             |
| 9           | 137-7814-01        | 1           | Rod-Traction            | 21          | 104-7201           | 2           | Nut-HF, NI         |
| 10          | 137-7811-01        | 1           | Bracket-Control, Motion | 26          | 117-9507           | 1           | Pedal-Accelerator  |
| 11          | 145-1063           | 1           | Link-Connecting         | 27          | 74-9100            | 1           | Pad-Pedal, Forward |
| 12          | 107675             | 4           | Washer                  | 28          | 32121-45           | 1           | Pin-Spring         |
| 13          | 75-5470            | 4           | Spacer-Bearing          | 29          | 74-9110            | 1           | Pad-Pedal, Reverse |



## Brake Pedal Assembly

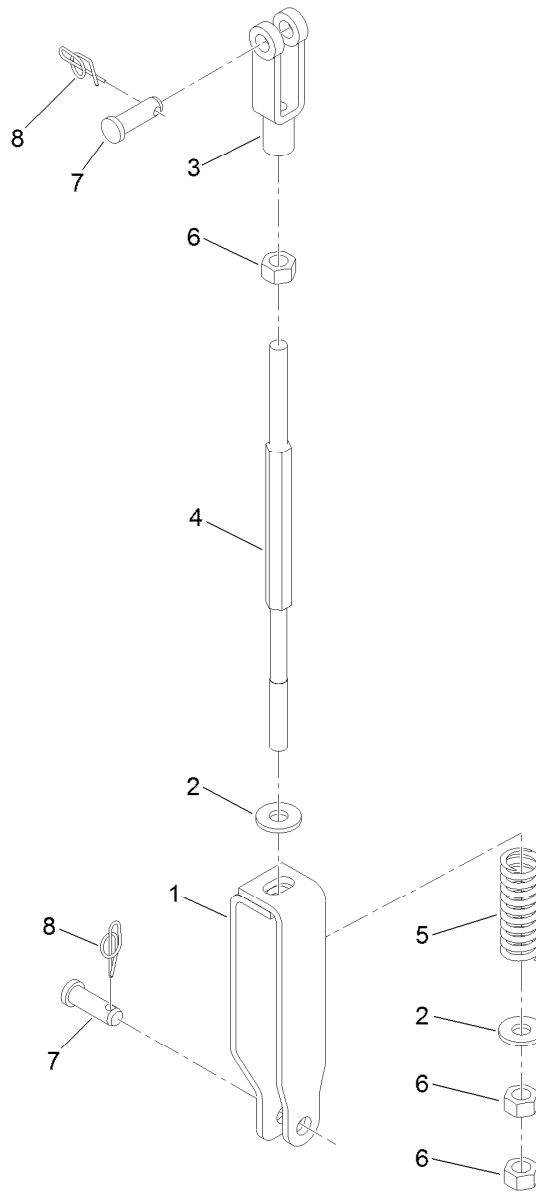
| Ref. | Part Number | Qty. | Description            | Ref. | Part Number | Qty. | Description                 |
|------|-------------|------|------------------------|------|-------------|------|-----------------------------|
| 2    | 132-9890-03 | 1    | Support-Pedal          | 23   | 99-7214     | 1    | Pawl-Brake                  |
| 8    | 94-5780     | 3    | Screw-HWH              | 24   | 119-1065    | 2    | Screw-HWH                   |
| 10   | 3256-22     | 2    | Washer-Flat            | 25   | 137-7770    | 1    | Cable-Brake                 |
| 11   | 52-2891     | 2    | Bushing-Flanged, Nylon | 26   | 137-8109    | 1    | Brake Pedal ASM             |
| 12   | 99-7963-03  | 1    | Pedal-Park             | 26:2 | 133-0090    | 2    | Bushing-Split               |
| 13   | 323-12      | 1    | Screw-HH               | 27   | 32144-4     | 1    | Screw-HWH                   |
| 14   | 104-8301    | 1    | Nut-HF, NI             | 28   | 115-5300    | 1    | Proximity Switch ASM        |
| 15   | 115-0129    | 1    | Rod-Pawl, Brake        | 28:1 | 117-3207    | 2    | Nut-Hex                     |
| 16   | 3272-6      | 2    | Pin-Cotter             | 28:2 | 117-3208    | 2    | Washer-Lock, Internal Tooth |
| 17   | 99-7140     | 1    | Spring-Torsion         | 30   | 136-7316    | 1    | Spring-Extension            |
| 18   | 117-0238    | 1    | Detent                 | 31   | 32120-47    | 1    | Ring-Retaining, External    |
| 19   | 104-7201    | 1    | Nut-HF, NI             | 32   | 109-6887    | 1    | Pin-Clevis                  |
| 20   | 133-0089    | 1    | Pivot-Pedals           | 33   | 701197      | 1    | E-Ring                      |
| 21   | 104-8300    | 3    | Nut-HF, NI             |      |             |      |                             |





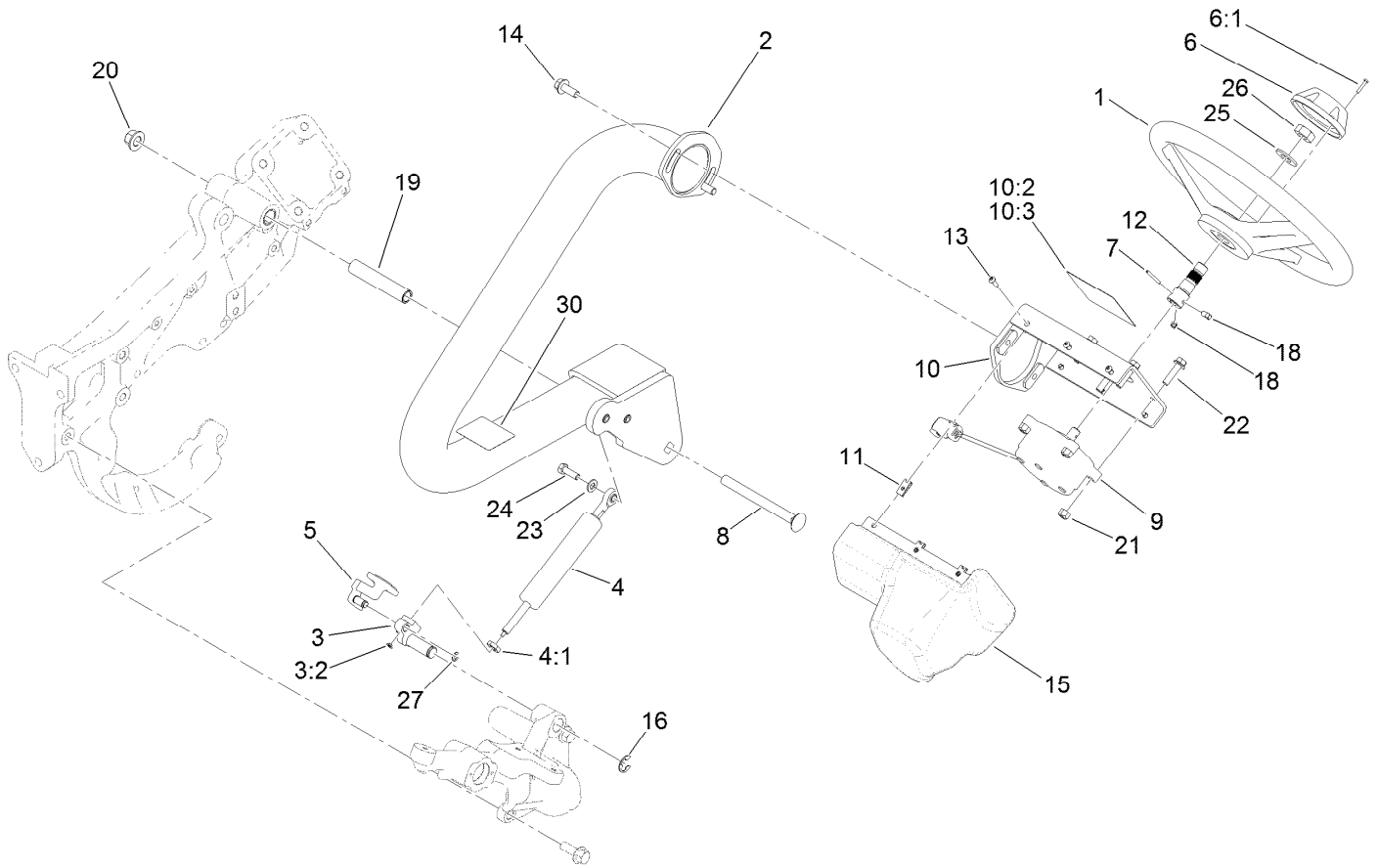
## Brake Actuator Assembly

| Ref. | Part Number | Qty. | Description               | Ref. | Part Number | Qty. | Description         |
|------|-------------|------|---------------------------|------|-------------|------|---------------------|
| 1    | 1-633102    | 2    | Bearing-Flange, Side      | 15   | 3217-7      | 2    | Nut-Hex             |
| 2    | 145-0060-03 | 1    | Cross Shaft-Brake [black] | 16   | 323-34      | 4    | Screw-HH            |
| 5    | 137-2185    | 2    | Brake Rod ASM             | 17   | 3296-59     | 4    | Nut-Lock, NI        |
| 7    | 139-8587    | 1    | Actuator-Brake            | 20   | 1-633131    | 1    | Yoke-Linkage, Brake |
| 8    | 137-8026    | 1    | Bolt-Eye                  | 21   | 283-10      | 1    | Pin-Clevis          |
| 9    | 93-5985     | 1    | Spring-Extension          | 22   | 137-7838    | 1    | Link ASM            |
| 10   | 109-6887    | 1    | Pin-Clevis                | 23   | 3272-10     | 1    | Pin-Cotter          |
| 11   | 701197      | 1    | E-Ring                    | 24   | 27-4240     | 1    | Pin-Cylinder        |
| 12   | 137-7790-03 | 1    | Bracket-Spring            | 25   | 3290-256    | 2    | Pin-Hair            |
| 13   | 137-7769-03 | 1    | Bracket-Cable             | 26   | 3220-3      | 1    | Nut-HJ              |
| 14   | 98-9940     | 4    | Screw-HHF                 |      |             |      |                     |



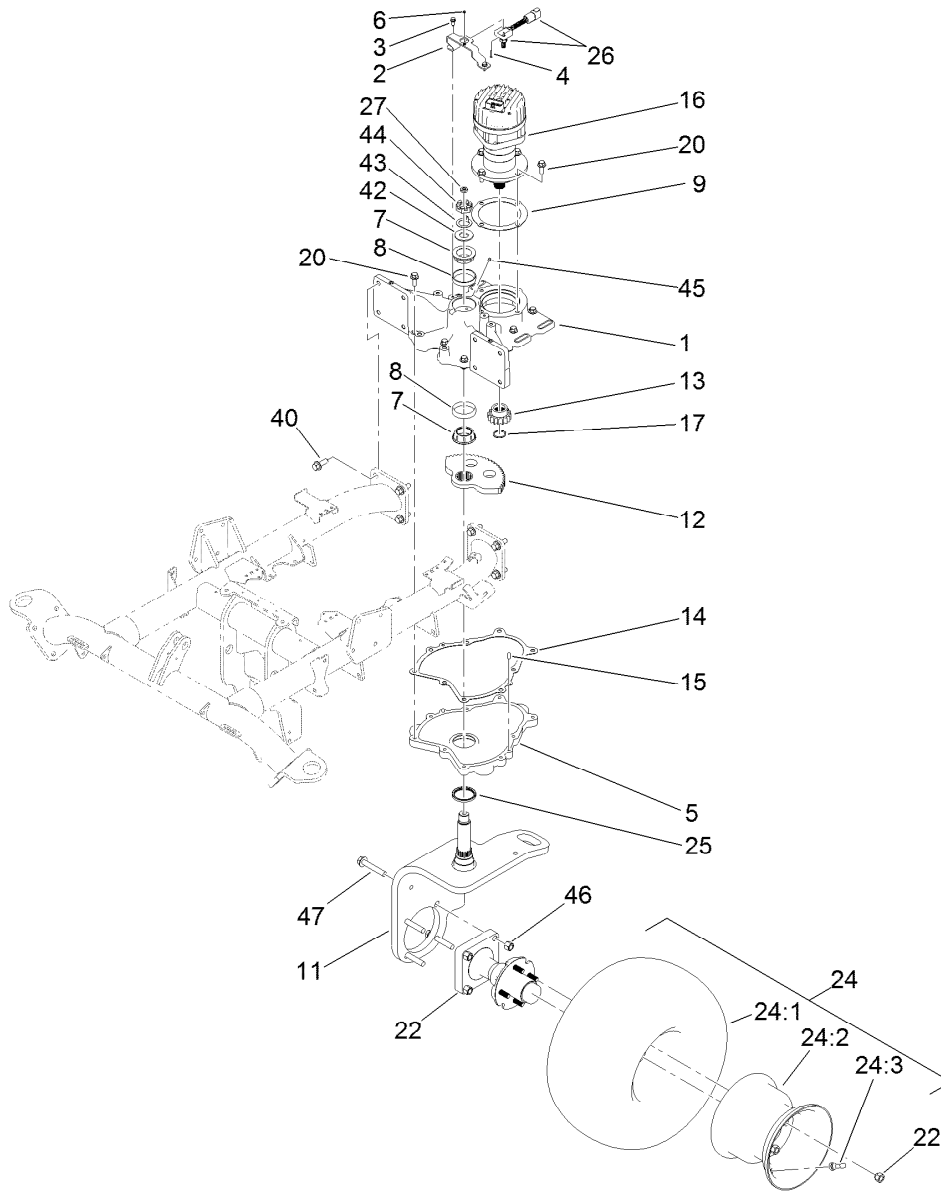
## Brake Rod Assembly No. 137-2185

| <i>Ref.</i> | <i>Part Number</i> | <i>Qty.</i> | <i>Description</i>       |
|-------------|--------------------|-------------|--------------------------|
| 1           | 137-2180           | 1           | Brake Clevis ASM         |
| 2           | 120-9646           | 2           | Washer-Flat              |
| 3           | 282-2              | 1           | Yoke                     |
| 4           | 137-8056           | 1           | Rod-Brake                |
| 5           | 137-8085           | 1           | Spring-Seat, Compression |
| 6           | 3219-2             | 3           | Nut-Hex                  |
| 7           | 283-1              | 2           | Pin-Clevis               |
| 8           | 116-6639           | 2           | Pin-Cotter, Locking      |



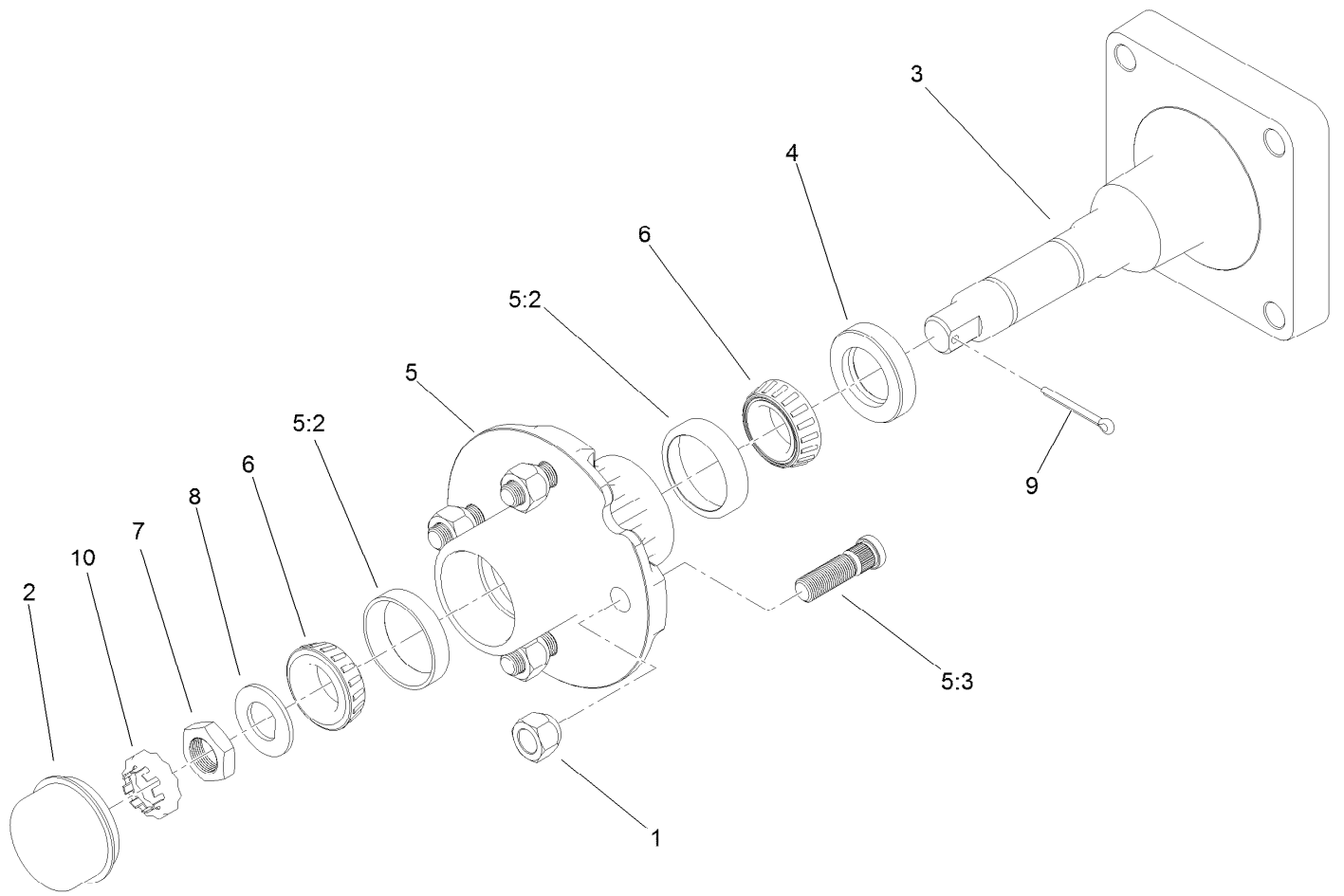
## Steering Assembly

| Ref. | Part Number | Qty. | Description            | Ref. | Part Number | Qty. | Description             |
|------|-------------|------|------------------------|------|-------------|------|-------------------------|
| 1    | 145-0051    | 1    | Steering Wheel         | 12   | 136-4262    | 1    | Shaft-Adapter, Steering |
| 2    | 145-0093-01 | 1    | Steering Arm ASM [red] | 13   | 3274-39     | 6    | Screw-HSBH              |
| 3    | 133-9030    | 1    | Pivot Lever ASM        | 14   | 3234-42     | 2    | Screw-HHF               |
| 3:2  | 133-8995    | 1    | Bushing                | 15   | 119-9300    | 1    | Cover-Valve, Steering   |
| 4    | 133-9036    | 1    | Cylinder-Gas           | 16   | 32120-19    | 1    | E-Ring                  |
| 4:1  | 112-8617    | 1    | Nut-Hex                | 18   | 126-3824    | 2    | Screw-Set, SQH          |
| 5    | 138-6456    | 1    | Lever (Mach)           | 19   | 117-9002    | 1    | Spacer                  |
| 6    | 68-5140     | 1    | Cap-Wheel, Steering    | 20   | 99-5107     | 1    | Nut-Lock                |
| 6:1  | 32144-21    | 1    | Screw                  | 21   | 3296-29     | 4    | Nut-Lock, NI            |
| 7    | 933156      | 1    | Pin-Roll               | 22   | 119-4036    | 4    | Screw-HHF               |
| 8    | 140-7029    | 1    | Screw-CARR             | 23   | 3256-23     | 1    | Washer-Plain            |
| 9    | 132-9935    | 1    | Steering Unit          | 24   | 322-5       | 1    | Screw-HH                |
| 10   | 137-8092    | 1    | Steering Mount ASM     | 25   | 3256-27     | 1    | Washer-Flat             |
| 10:2 | 139-8320    | 1    | Decal-Danger           | 26   | 3296-33     | 1    | Nut-Lock, NI            |
| 10:3 | 139-8321    | 1    | Decal-Danger, CE       | 27   | 701197      | 1    | E-Ring                  |
| 11   | 3290-277    | 6    | Nut-Speed              | 30   | 119-9346    | 1    | Decal-Arm, Steering     |



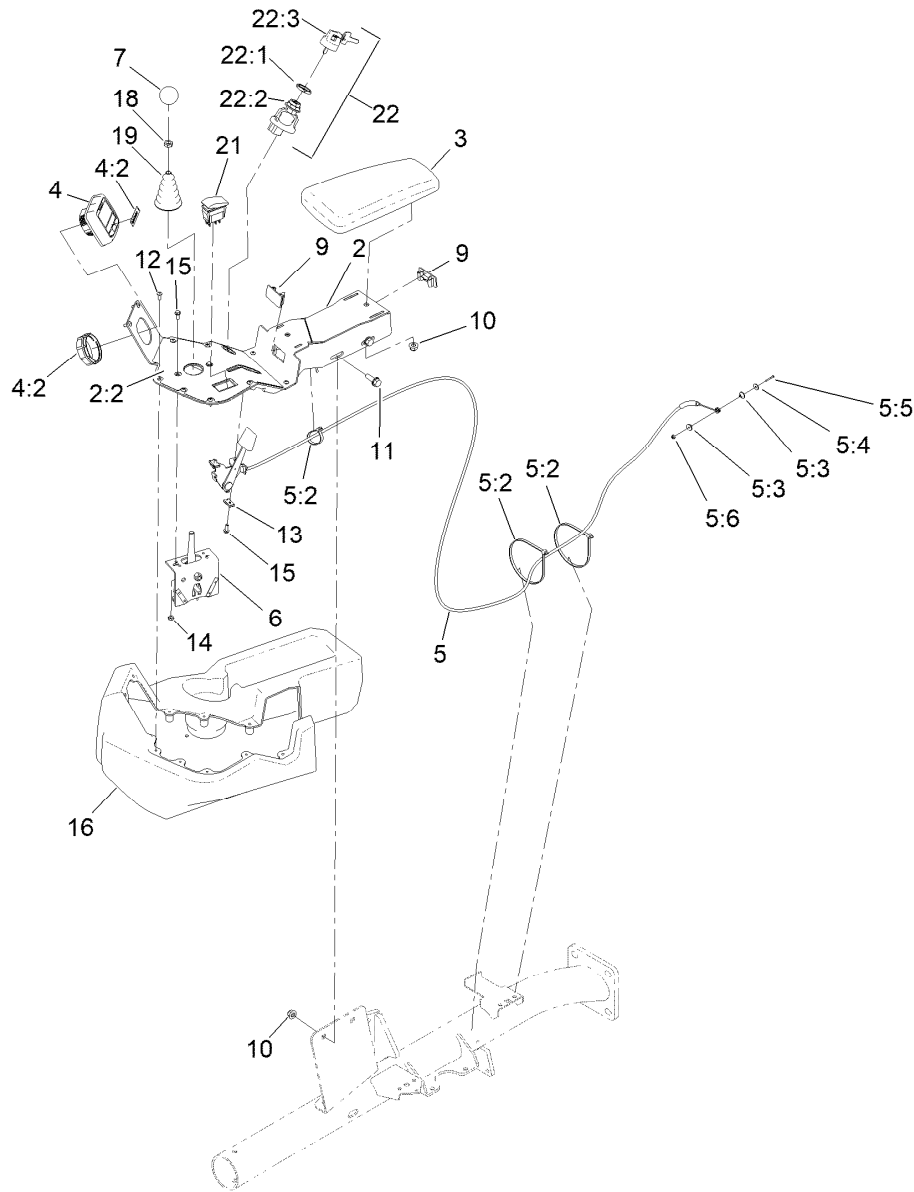
## Wheel and Tire Assembly

| Ref. | Part Number | Qty. | Description              | Ref. | Part Number | Qty. | Description                                  |
|------|-------------|------|--------------------------|------|-------------|------|--|
| 1    | 139-8314    | 1    | Housing-Steering         | 22   | 119-4490    | 1    | Wheel Spindle ASM                            |
| 2    | 137-7868-03 | 1    | Bracket-Sensor, Steering | 24   | 117-9033    | 1    | Wheel And Tire ASM                           |
| 3    | 32144-10    | 2    | Screw-HWH                | 24:1 | 120-2783    | 1    | Tire   |
| 4    | 3290-313    | 2    | Screw-SPH                | 24:2 | 217-60      | 1    | Rim  |
| 5    | 137-8166-03 | 1    | Housing                  | 24:3 | 232-27      | 1    | Stem-Valve                                   |
| 6    | 3296-52     | 2    | Nut-Lock, NI             | 25   | 108-7019    | 1    | Seal-Shaft                                   |
| 7    | 107-7589    | 2    | Cone-Bearing (W/ Seal)   | 26   | 122-0914    | 1    | Sensor-Rotary,<br>Body/Magnet Matched<br>Set |
| 8    | 107-7590    | 2    | Cup-Bearing              | 27   | 112-8617    | 1    | Nut-Hex                                      |
| 9    | 133-0347    | 1    | Gasket                   | 40   | 117-9035    | 8    | Screw-HHF                                    |
| 11   | 139-8313    | 1    | Fork-Caster              | 42   | 137-8171    | 1    | Washer                                       |
| 12   | 137-8170    | 1    | Gear-Spur, 64T           | 43   | 137-7943    | 1    | Washer-Tang                                  |
| 13   | 133-0346    | 1    | Pinion-16T               | 44   | 137-7942    | 1    | Nut-Castle                                   |
| 14   | 133-0348    | 1    | Gasket                   | 45   | 302-59      | 1    | Plug-EXT Hex Spl                             |
| 15   | 136-2667    | 2    | Pin-Dowel                | 46   | 3296-23     | 4    | Nut-Lock, NI                                 |
| 16   | 133-0349    | 1    | Steering Unit ASM        | 47   | 3234-40     | 4    | Screw-HF                                     |
| 17   | 32120-2     | 1    | Ring-Retaining           |      |             |      |  |
| 20   | 3234-42     | 13   | Screw-HHF                |      |             |      |  |



## Wheel Spindle Assembly No. 119-4490

| <i>Ref.</i> | <i>Part Number</i> | <i>Qty.</i> | <i>Description</i>   |
|-------------|--------------------|-------------|----------------------|
| 1           | 242-50             | 4           | Nut-Lug              |
| 2           | 241-119            | 1           | Cap-Dust             |
| 3           | 112-7173           | 1           | Spindle              |
| 4           | 112-1690           | 1           | Seal-Oil             |
| 5           | 117-9093           | 1           | Hub ASM              |
| 5:2         | 254-72             | 2           | Bearing-Cup, Tapered |
| 5:3         | 114-3918           | 4           | Stud-Wheel           |
| 6           | 254-92             | 2           | Cone-Bearing, Outer  |
| 7           | 117-8260           | 1           | Nut                  |
| 8           | 117-8259           | 1           | Washer-Spindle       |
| 9           | 3272-18            | 1           | Pin-Cotter           |
| 10          | 93-0307            | 1           | Nut-Lock, Retainer   |



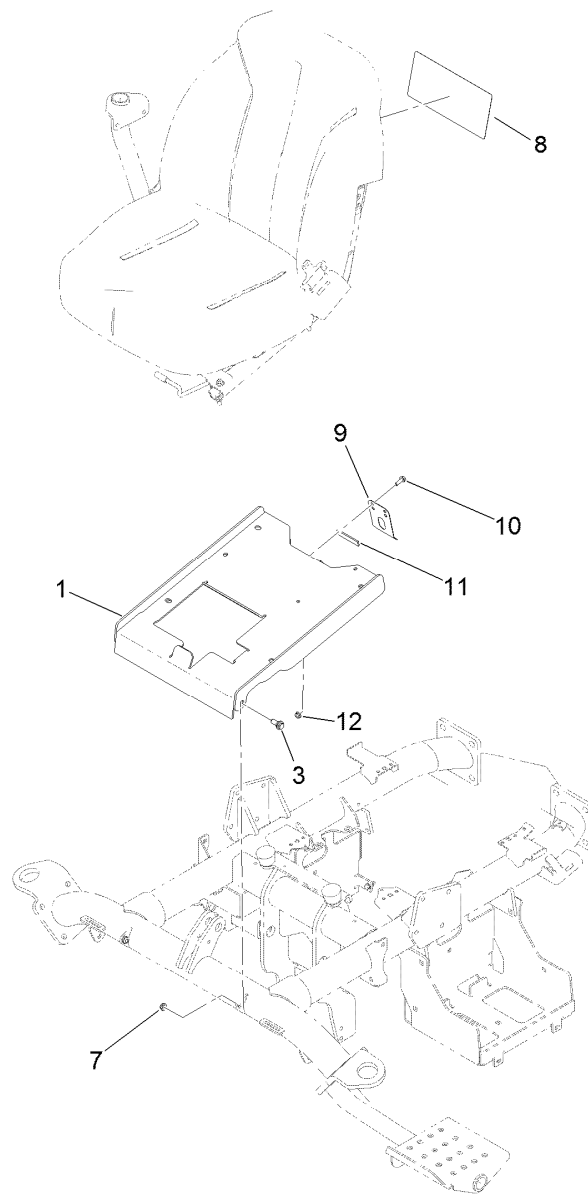
## Console Assembly

| <i>Ref.</i> | <i>Part Number</i> | <i>Qty.</i> | <i>Description</i>           | <i>Ref.</i> | <i>Part Number</i> | <i>Qty.</i> | <i>Description</i>      |
|-------------|--------------------|-------------|------------------------------|-------------|--------------------|-------------|-------------------------|
| 2           | 137-8093           | 1           | Console ASM                  | 9           | 99-7420            | 2           | Plug-Hole               |
| 2:2         | 139-8588           | 1           | Decal-Console                | 10          | 104-8300           | 4           | Nut-HF, NI              |
| 3           | 108-7602           | 1           | Rest-Arm                     | 11          | 3234-29            | 2           | Screw-HHF               |
| 4           | 120-6310           | 1           | LCD Display ASM Kantrak 1700 | 12          | 115-9830           | 10          | Screw-HSBH              |
| 4:2         | 161-1723           | 1           | Nut-Display                  | 13          | 3290-277           | 2           | Nut-Speed               |
| 5           | 147-3066           | 1           | Choke Cable Kit              | 14          | 3296-12            | 2           | Nut-Lock, NI            |
| 5:2         | 3290-379           | 3           | Tie-Cable                    | 15          | 3290-321           | 4           | Screw-HWH               |
| 5:3         | 145-4596           | 2           | Spacer, Choke Cable Adapter  | 16          | 132-9955           | 1           | Cover-Console           |
| 5:4         | 3269-10            | 1           | Washer-Back                  | 18          | 3218-3             | 1           | Nut-Jam                 |
| 5:5         | 147-3074           | 1           | Screw, HSBH                  | 19          | 93-5961            | 1           | Boot-Lever              |
| 5:6         | 147-3075           | 1           | Nut-Hex                      | 21          | 112-3530           | 1           | Switch-Rocker, On-On-On |
| 6           | 120-5280           | 1           | Bracket-Joystick             | 22          | 121-5159           | 1           | Switch-Ignition         |
| 7           | 120-9752           | 1           | Knob-Round, Yellow           | 22:1        | 121-5160           | 1           | Nut-Hex                 |
|             |                    |             |                              | 22:2        | 122-2704           | 1           | Nut-Face, M22 (Plastic) |
|             |                    |             |                              | 22:3        | 121-5162           | 1           | Set-Key, Ignition       |



## Joystick Bracket Assembly No. 120-5280

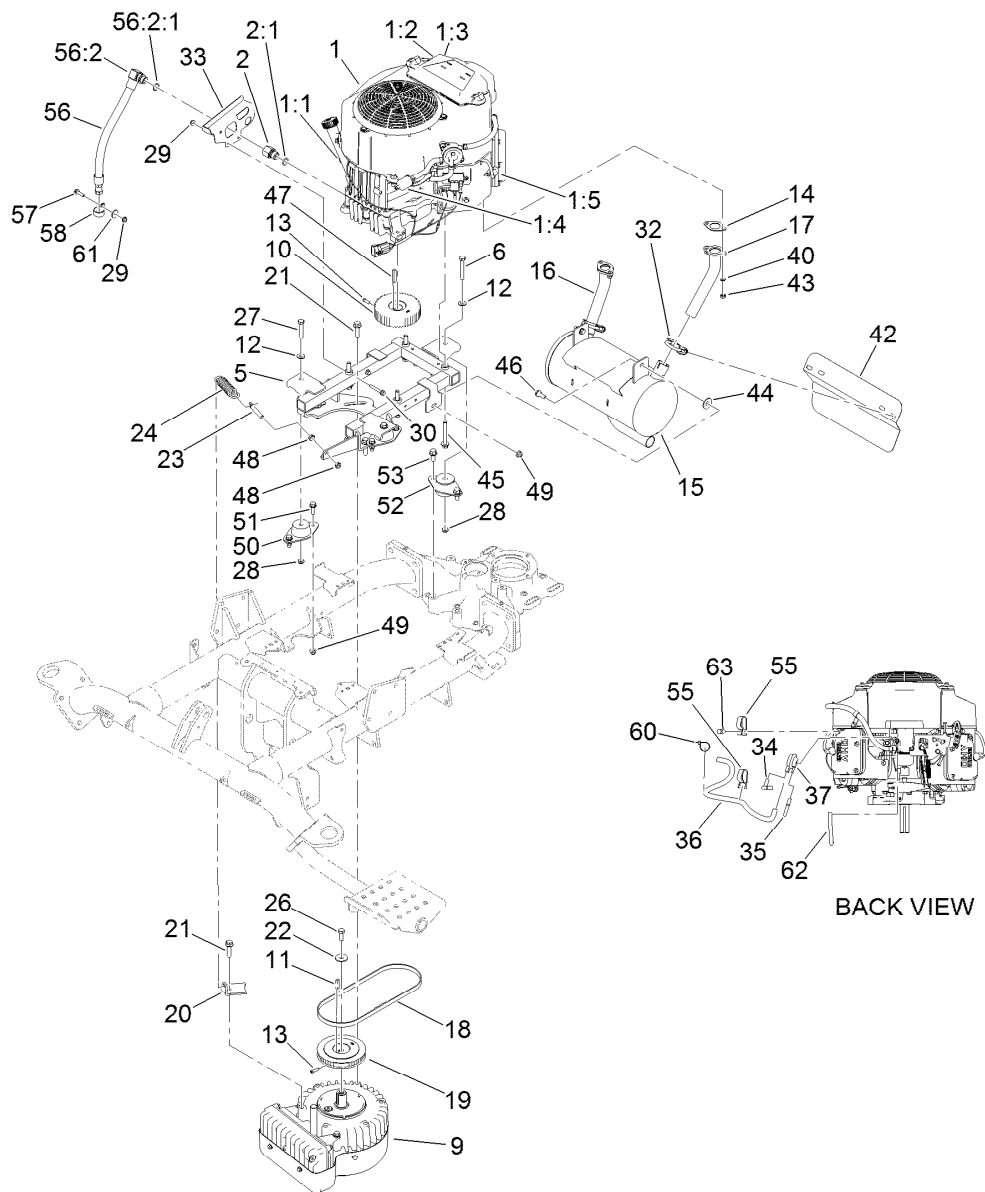
| <i>Ref.</i> | <i>Part Number</i> | <i>Qty.</i> | <i>Description</i>    |
|-------------|--------------------|-------------|-----------------------|
| 1           | 115-5357-03        | 1           | Bracket-Joystick      |
| 2           | 106-4192           | 1           | Spacer                |
| 3           | 93-5547            | 2           | Bushing-Nylon         |
| 4           | 119-3540           | 1           | Hub-Pivot, Joystick   |
| 5           | 105-8289           | 1           | Spring-Torsion        |
| 6           | 106-4193           | 2           | Washer-Finger, Spring |
| 7           | 322-9              | 1           | Screw-HH              |
| 8           | 3296-29            | 1           | Nut-Lock, NI          |
| 9           | 3290-354           | 2           | Nut-Speed             |
| 10          | 108-6496           | 2           | Switch (W/Boot)       |
| 11          | 95-3003            | 4           | Screw-PPHTF           |
| 12          | 3256-3             | 1           | Washer-Flat           |



## Seat Plate Assembly

| <i>Ref.</i> | <i>Part Number</i> | <i>Qty.</i> | <i>Description</i>     |
|-------------|--------------------|-------------|------------------------|
| 1           | 139-8552-03        | 1           | Seat Plate ASM [black] |
| 3           | 94-7582            | 2           | Bolt-Shoulder          |
| 7           | 3296-59            | 2           | Nut-Lock, NI           |
| 8           | 137-8132           | 1           | Decal-Service          |
| 9           | 139-8557           | 1           | Latch-Seat             |
| 10          | 115-5103           | 2           | Screw-HHF              |
| 11          | 120-5753           | 1           | Strip-Foam             |
| 12          | 104-7201           | 2           | Nut-HF, NI             |



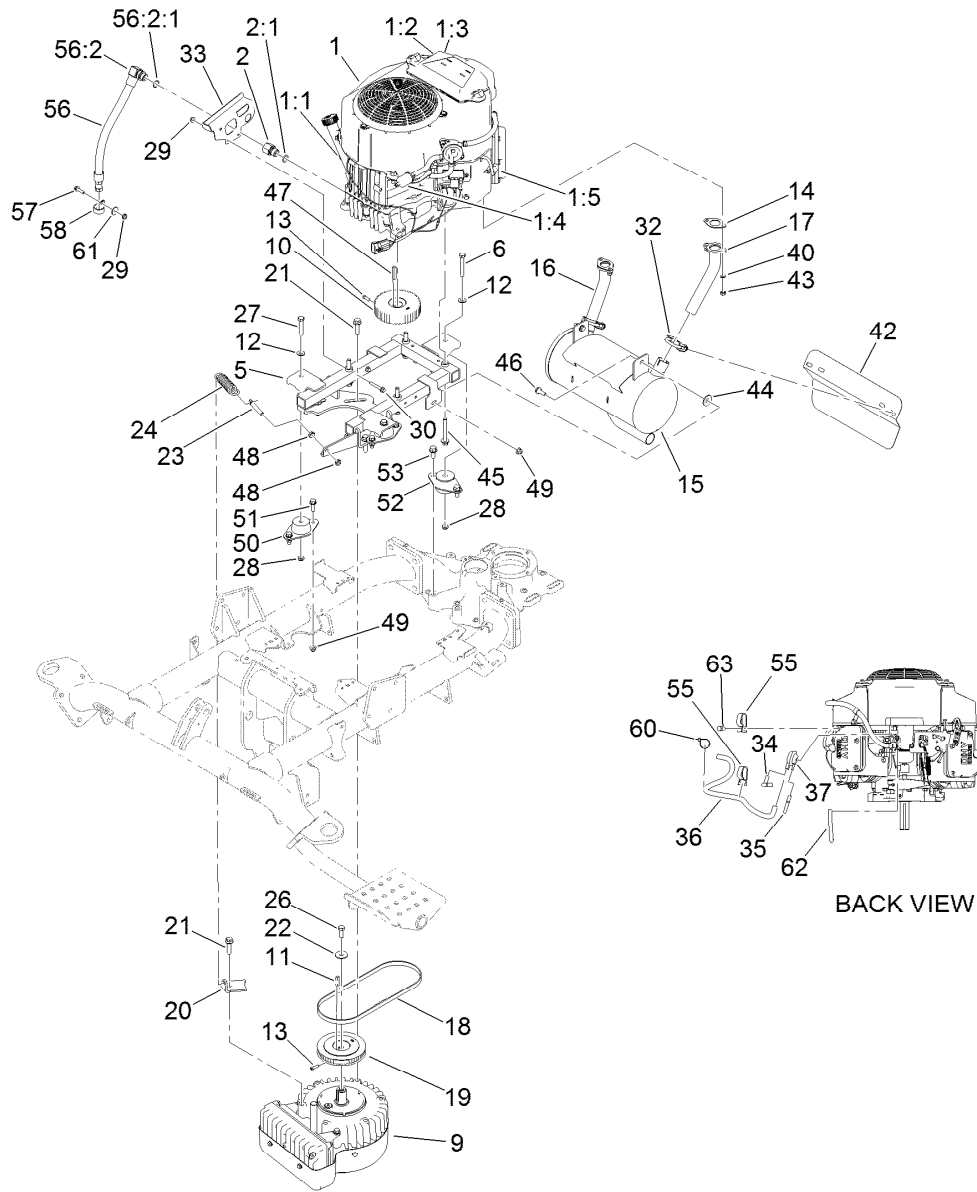


## Engine Assembly

| Ref. | Part Number | Qty. | Description                    | Ref. | Part Number | Qty. | Description               |
|------|-------------|------|--------------------------------|------|-------------|------|---------------------------|
| 1    |             | 1    | Engine-Kawasaki, Fs481V-S34 ●■ | 16   | 133-5750    | 1    | Pipe-Exhaust, LH          |
| 1:1  | 119-5852    | 1    | Filter-Oil                     | 17   | 133-5751    | 1    | Pipe-Exhaust, RH          |
| 1:2  | 120-7447    | 1    | Filter-Air, Foam               | 18   | 137-7828    | 1    | Belt-Timing               |
| 1:3  | 120-7448    | 1    | Filter-Air, Paper              | 19   | 137-8131    | 1    | Pulley ASM                |
| 1:4  | 121-4570    | 1    | Filter-Fuel                    | 20   | 133-5737    | 1    | Bracket-Spring            |
| 1:5  | 92-2153     | 1    | Plug-Spark                     | 21   | 114-4681    | 5    | Screw-HHF                 |
| 2    | 139-8416    | 1    | Fitting-Straight               | 22   | 63-8410     | 1    | Washer                    |
| 2:1  | 237-69      | 1    | O-Ring                         | 23   | 133-0332    | 1    | Pin-Adjustment, Generator |
| 5    | 133-5797-03 | 1    | Frame-Engine                   | 24   | 133-5738    | 1    | Spring-Extension          |
| 6    | 323-12      | 1    | Screw-HH                       | 26   | 3211-4      | 1    | Screw-HH                  |
| 9    | 127-2580    | 1    | Generator/Controller ASM       | 27   | 323-10      | 2    | Screw-HH                  |
| 10   | 137-8128    | 1    | Pulley-Belt                    | 28   | 3296-59     | 3    | Nut-Lock, NI              |
| 11   | 5-0698      | 1    | Key                            | 29   | 104-7201    | 3    | Nut-HF, NI                |
| 12   | 3256-24     | 3    | Washer-Plain                   | 30   | 32105-18    | 2    | Screw-HHF                 |
| 13   | 3241-6      | 4    | Screw-SQH                      | 32   | 104-4090    | 2    | Clamp-Muffler             |
| 14   | 1-653313    | 2    | Gasket-Exhaust                 | 33   | 132-9908    | 1    | Shield-Drip               |
| 15   | 133-5745    | 1    | Muffler                        | 34   | 119-8502    | 1    | Hose-Vent, Formed         |
|      |             |      |                                | 35   | 119-8501    | 1    | Hose-Vent, Formed         |

● Not serviced separately

■ Obtain parts from [www.kawpower.com](http://www.kawpower.com)

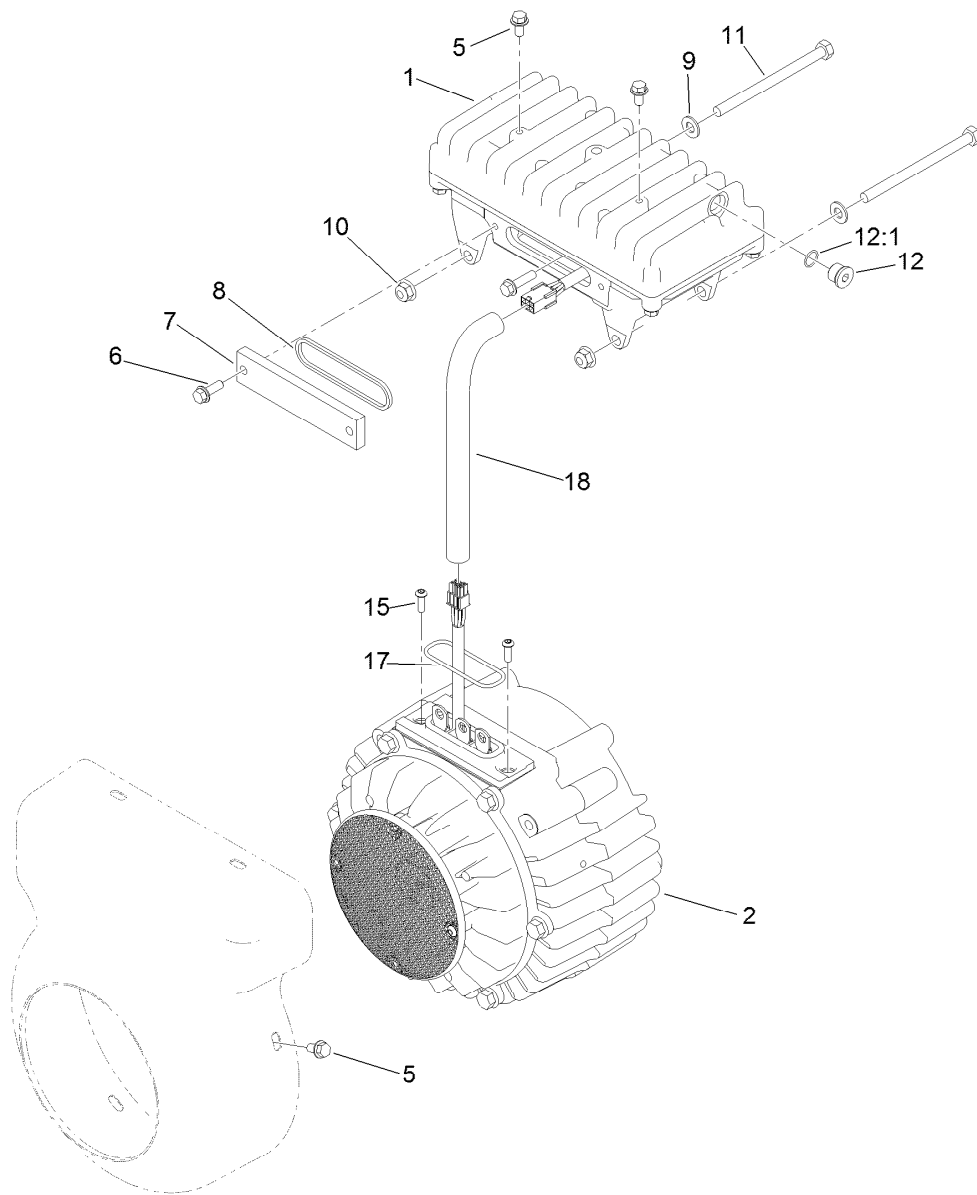


## Engine Assembly (continued)

| Ref. | Part Number | Qty. | Description           | Ref.   | Part Number | Qty. | Description            |
|------|-------------|------|-----------------------|--------|-------------|------|------------------------|
| 36   | 110-5701    | 1    | Hose-Fuel             | 52     | 131-1821    | 1    | Mount-Engine           |
| 37   | 116-2232    | 1    | Valve-Control, Vacuum | 53     | 3234-25     | 2    | Screw-HHF              |
| 40   | 114-3550    | 4    | Washer-Lock           | 55     | 92-5753     | 2    | Clamp-Hose             |
| 42   | 132-9915-03 | 1    | Shield-Exhaust, Rear  | 56     | 137-7864    | 1    | Drain Hose ASM         |
| 43   | 114-3549    | 4    | Nut                   | 56:2   |             | 1    | Plug-HH ●              |
| 44   | 3290-465    | 2    | Washer-Belleville     | 56:2:1 | 237-42      | 1    | O-Ring                 |
| 45   | 132-9947    | 4    | Screw-Hfh             | 57     | 120-4654    | 1    | Screw-HHF              |
| 46   | 27-0410     | 2    | Screw-Shoulder        | 58     | 2412-106    | 1    | Clamp-R                |
| 47   | 67-7490     | 1    | Key-Square            | 60     | 3290-379    | 1    | Tie-Cable              |
| 48   | 3220-3      | 2    | Nut-HJ                | 61     | 3256-67     | 1    | Washer                 |
| 49   | 104-8300    | 6    | Nut-HF, NI            | 62     | 139-8415    | 1    | Tubing-Convolved, Slit |
| 50   | 121-9076    | 2    | Mount-Engine          | 63     | 33114-016   | 1    | Screw-HH               |
| 51   | 3234-29     | 4    | Screw-HHF             |        |             |      |                        |

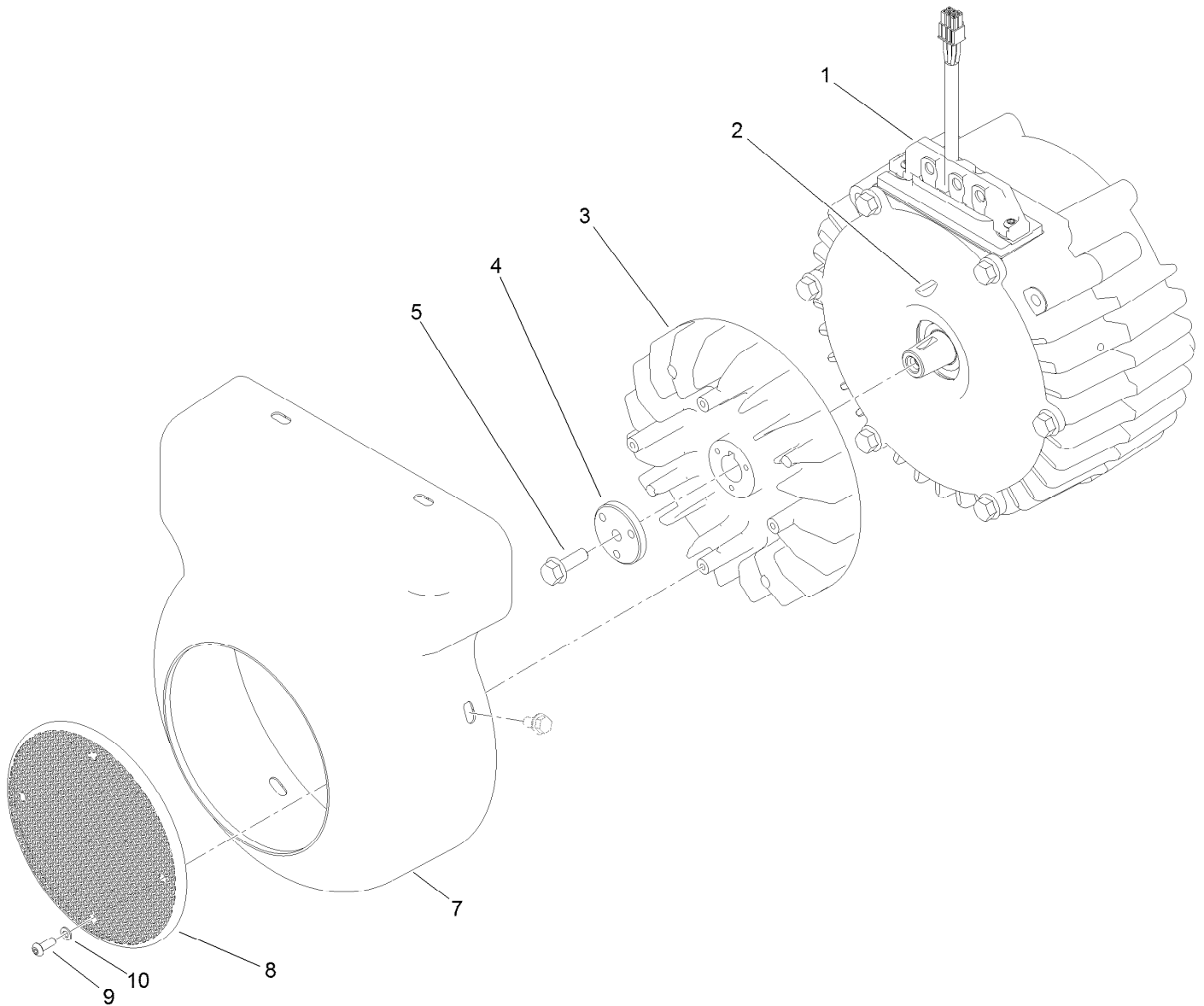
● Not serviced separately

■ Obtain parts from [www.kawpower.com](http://www.kawpower.com)



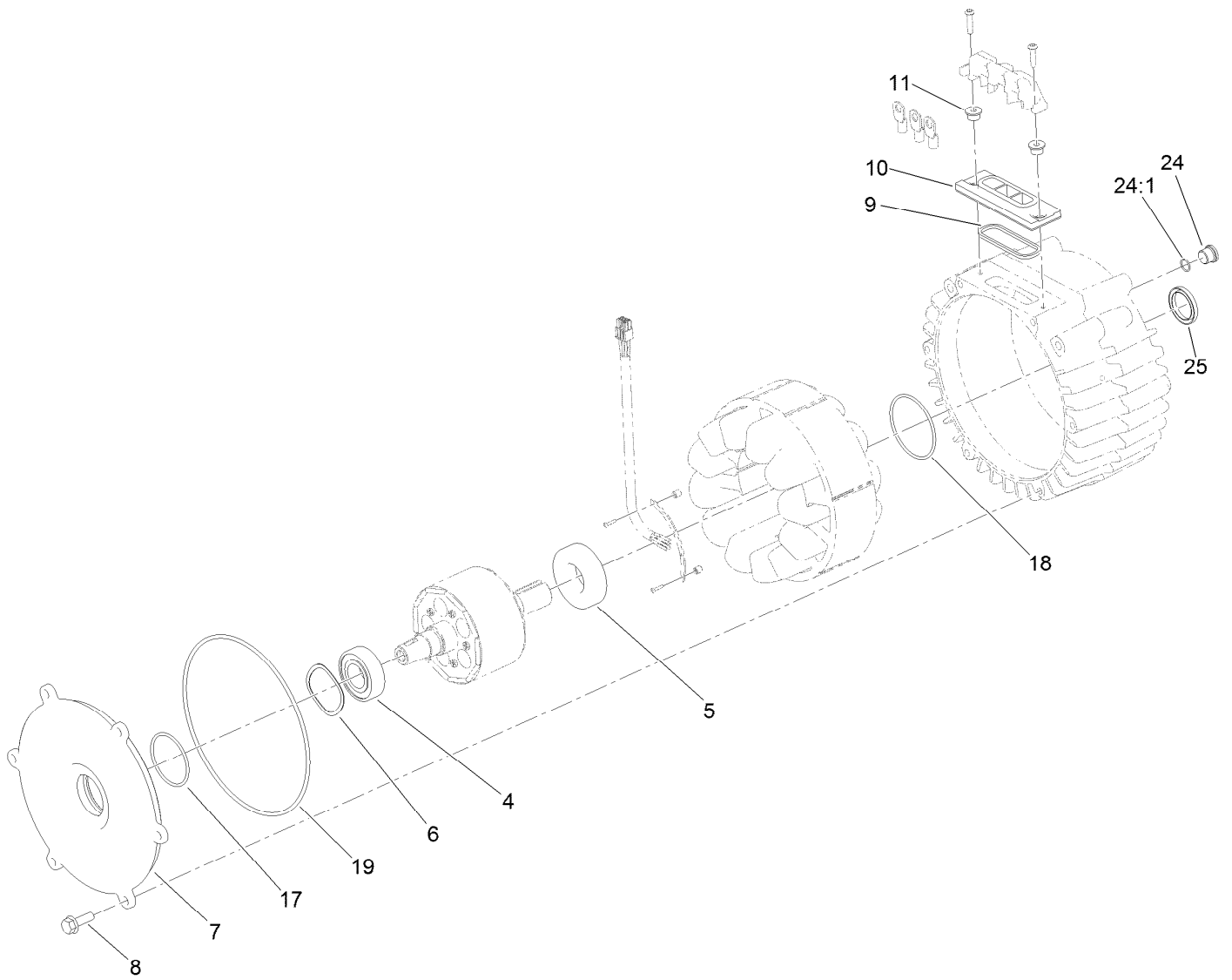
## Generator/Controller Assembly No. 127-2580

| <i>Ref.</i> | <i>Part Number</i> | <i>Qty.</i> | <i>Description</i>         |
|-------------|--------------------|-------------|----------------------------|
| 1           | 117-8181           | 1           | Controller ASM             |
| 2           | 127-2579           | 1           | Generator ASM              |
| 5           | 119-1065           | 6           | Screw-HWH                  |
| 6           | 119-1138           | 2           | Screw-HHF                  |
| 7           | 120-4511           | 1           | Cover-Access               |
| 8           | 120-4513           | 1           | Gasket-Cover, Access       |
| 9           | 3256-23            | 2           | Washer-Plain               |
| 10          | 104-8300           | 2           | Nut-HF, NI                 |
| 11          | 322-38             | 2           | Screw-HH                   |
| 12          | 353-989            | 1           | Plug-Hex, Hollow           |
| 12:1        | 237-42             | 1           | O-Ring                     |
| 15          | 119-7568           | 2           | Screw-HSBH                 |
| 17          | 117-8176           | 1           | O-Ring                     |
| 18          | 127-2747           | 1           | Sleeve-Harness, Expandable |



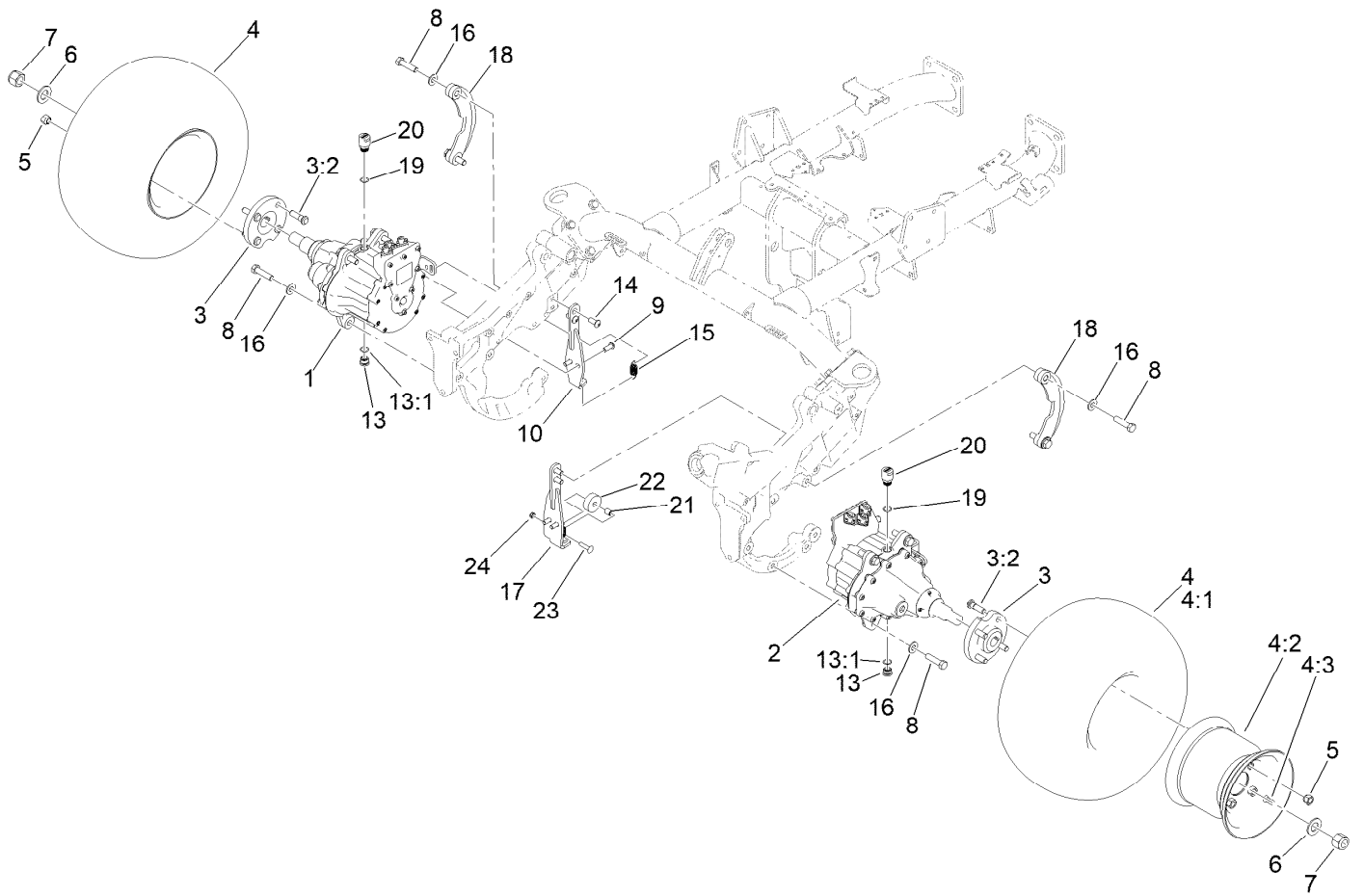
## Generator Assembly No. 127-2579

| <i>Ref.</i> | <i>Part Number</i> | <i>Qty.</i> | <i>Description</i>    |
|-------------|--------------------|-------------|-----------------------|
| 1           | 127-2578           | 1           | Generator Service ASM |
| 2           | 112-5193           | 1           | Key-Woodruff          |
| 3           | 117-8184           | 1           | Fan-Generator         |
| 4           | 112-9604           | 1           | Collar                |
| 5           | 33104-025          | 1           | Screw-HHF             |
| 7           | 121-7082           | 1           | Cover-Generator       |
| 8           | 120-4582           | 1           | Screen-Fan            |
| 9           | 120-4564           | 4           | Screw-BHCS            |
| 10          | 120-4563           | 4           | Washer-Flat           |



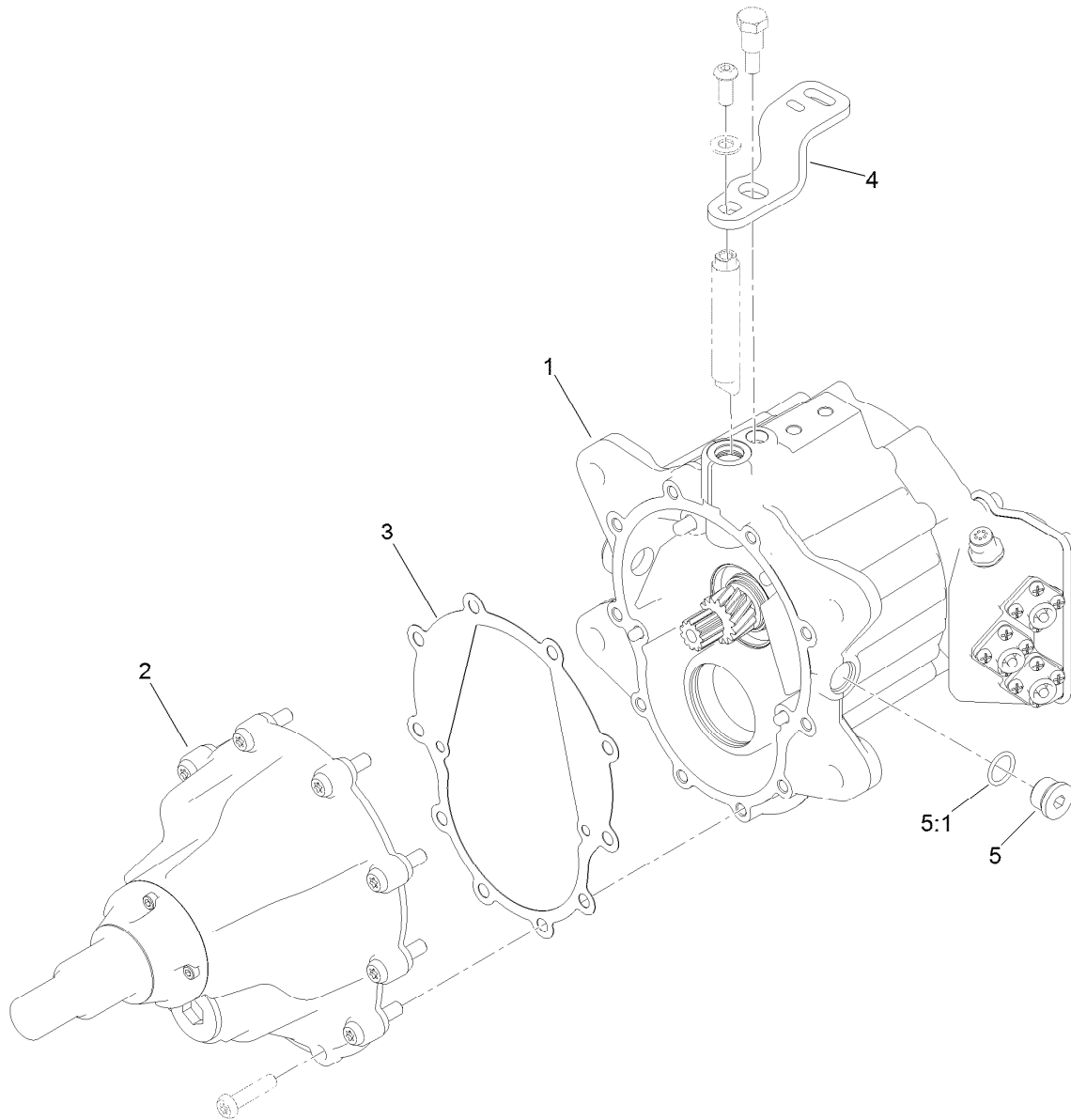
## Generator Service Assembly No. 127-2578

| <i>Ref.</i> | <i>Part Number</i> | <i>Qty.</i> | <i>Description</i> |
|-------------|--------------------|-------------|--------------------|
| 4           | 120-4621           | 1           | Bearing            |
| 5           | 120-4622           | 1           | Bearing            |
| 6           | 117-8148           | 1           | Washer-Wave        |
| 7           | 117-4514           | 1           | Cover-Generator    |
| 8           | 33104-025          | 6           | Screw-HHF          |
| 9           | 120-4518           | 1           | Gasket-Isolator    |
| 10          | 112-5155           | 1           | Isolator-Thermal   |
| 11          | 117-4501           | 2           | Spacer-Shoulder    |
| 17          | 107-3244           | 1           | O-Ring             |
| 18          | 117-8177           | 1           | O-Ring             |
| 19          | 112-5199           | 1           | O-Ring             |
| 24          | 353-989            | 1           | Plug-Hex, Hollow   |
| 24:1        | 237-42             | 1           | O-Ring             |
| 25          | 125-1509           | 1           | Seal               |



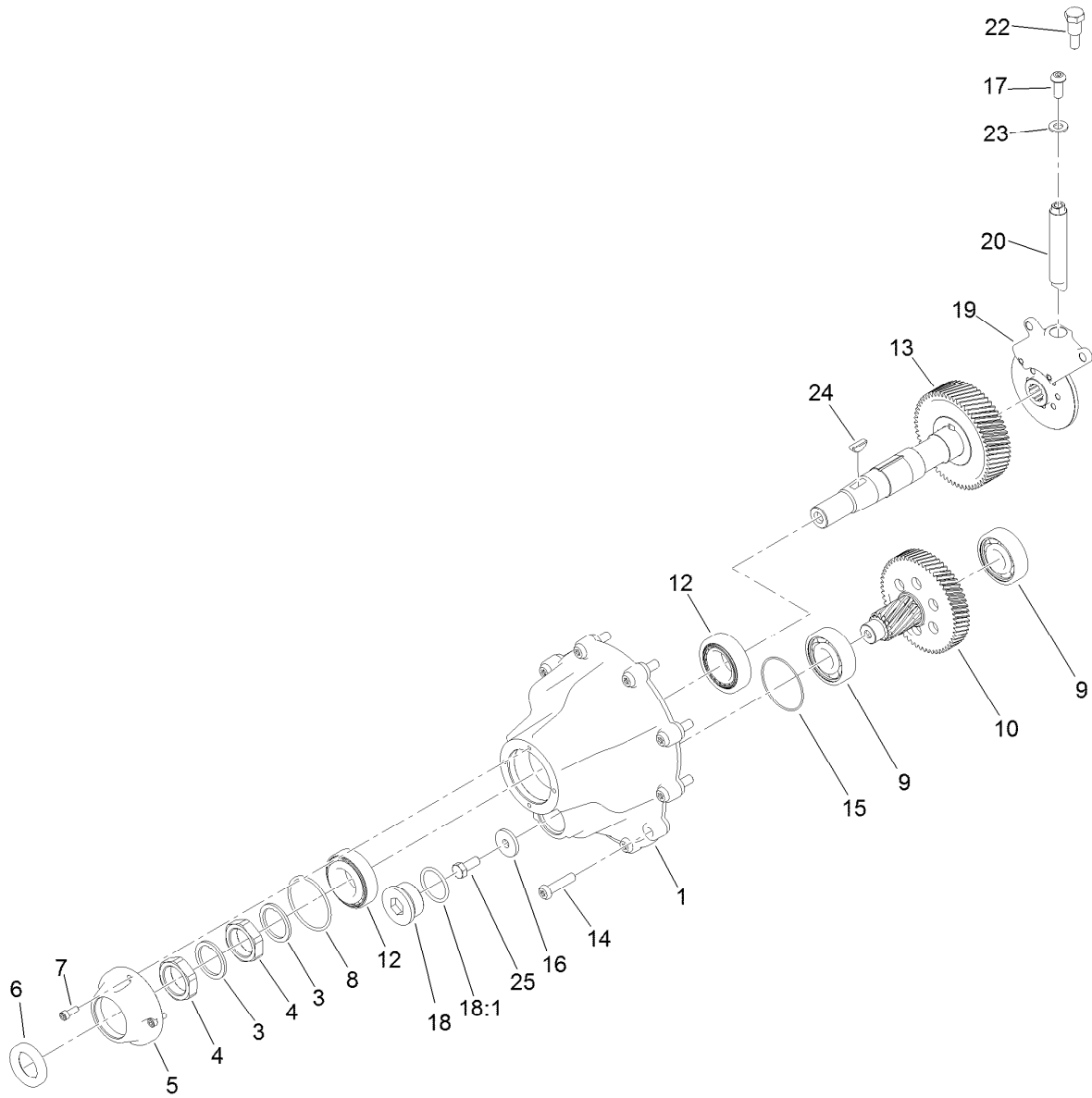
## Traction Assembly

| <i>Ref.</i> | <i>Part Number</i> | <i>Qty.</i> | <i>Description</i> | <i>Ref.</i> | <i>Part Number</i> | <i>Qty.</i> | <i>Description</i>    |
|-------------|--------------------|-------------|--------------------|-------------|--------------------|-------------|-----------------------|
| 1           | 139-8565           | 1           | RH Wheel Motor ASM | 13          | 133-7659           | 2           | Plug ASM W/Magnet     |
| 2           | 139-8567           | 1           | LH Wheel Motor ASM | 13:1        | 237-79             | 1           | O-Ring                |
| 3           | 140-6228           | 2           | Hub ASM-Wheel      | 14          | 3274-105           | 4           | Screw-HSBH            |
| 3:2         | 10-6830            | 4           | Stud-Type, Drive   | 15          | 136-7153           | 2           | Spring-Extension      |
| 4           | 117-9030           | 2           | Wheel And Tire ASM | 16          | 87-7270            | 12          | Washer-Thrust         |
| 4:1         | 120-2783           | 1           | Tire               | 17          | 139-8348-01        | 1           | Gusset-LH             |
| 4:2         | 117-9032           | 1           | Rim                | 18          | 132-9996-01        | 2           | Link-Support          |
| 4:3         | 232-27             | 1           | Stem-Valve         | 19          | 237-79             | 2           | O-Ring                |
| 5           | 242-50             | 8           | Nut-Lug            | 20          | 139-8576           | 2           | Valve-Breather        |
| 6           | AU496-11094        | 2           | Washer-Flat        | 21          | 88-7450            | 1           | Spacer-Lever, Control |
| 7           | 137-7973           | 2           | Nut-Hex            | 22          | 139-8346           | 1           | Roller                |
| 8           | 325-8              | 12          | Screw-HH           | 23          | 112-6950           | 1           | Screw-CARR            |
| 9           | 3274-94            | 4           | Screw-HSBH         | 24          | 3296-47            | 1           | Nut-Lock,NI           |
| 10          | 137-7727-01        | 1           | Gusset-Motor, RH   |             |                    |             |                       |



## RH Wheel Motor Assembly No. 139-8565

| <i>Ref.</i> | <i>Part Number</i> | <i>Qty.</i> | <i>Description</i> |
|-------------|--------------------|-------------|--------------------|
| 1           | 139-8566SP         | 1           | RH Motor ASM       |
| 2           | 127-1529           | 1           | Gear Box ASM       |
| 3           | 121-9254           | 1           | Gasket-Gearbox     |
| 4           | 132-9873           | 1           | Lever-Brake, RH    |
| 5           | 353-988            | 2           | Plug-Hex           |
| 5:1         | 237-79             | 1           | O-Ring             |

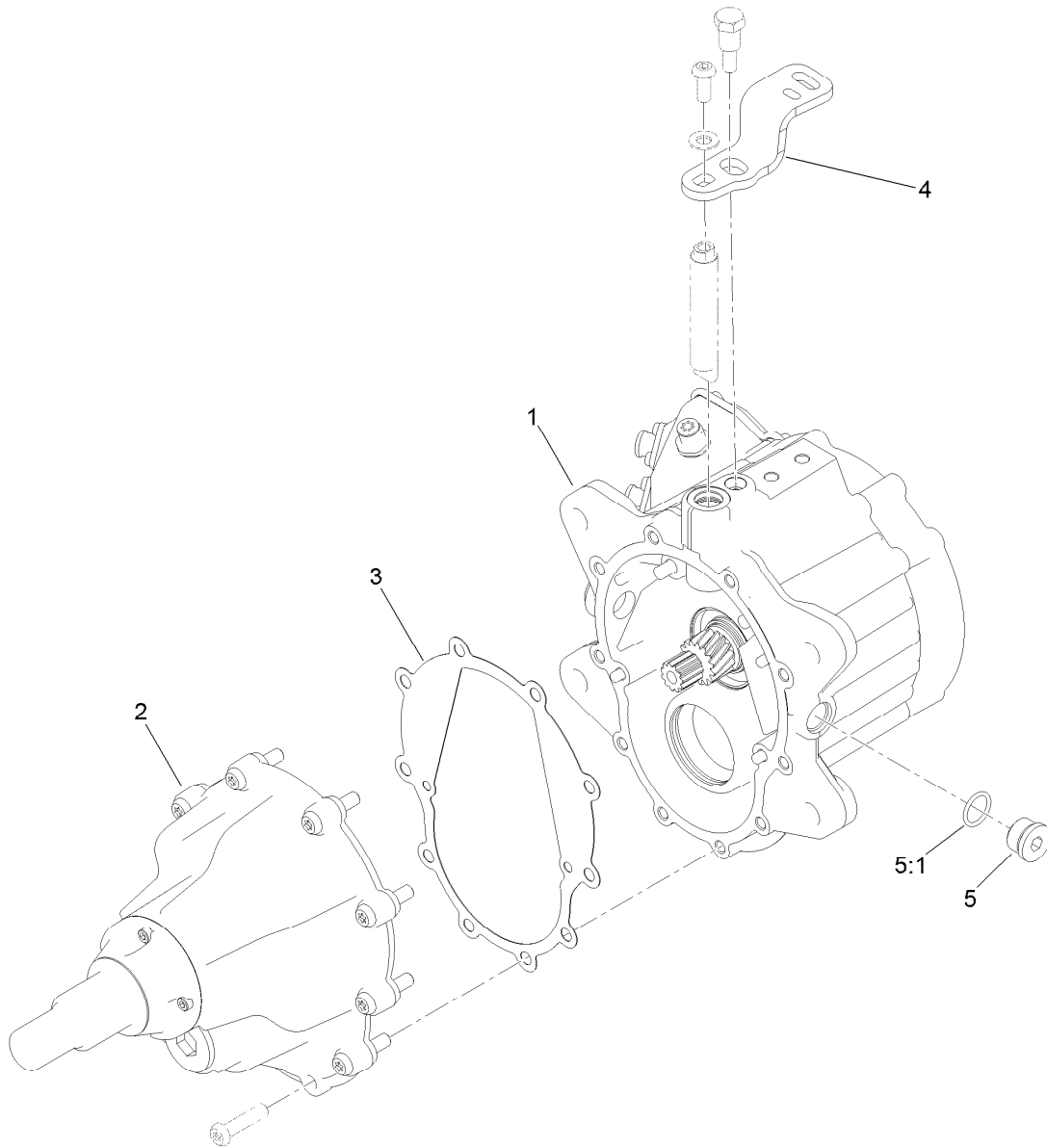


## Gearbox Assembly No. 127-1529

| <i>Ref.</i> | <i>Part Number</i> | <i>Qty.</i> | <i>Description</i>    |
|-------------|--------------------|-------------|-----------------------|
| 1           | 127-1559           | 1           | Cover-Motor, Axle     |
| 3           | 121-5235           | 2           | Washer-Special        |
| 4           | 121-9263           | 2           | Nut-Jam               |
| 5           | 127-1561           | 1           | Cover-Nose, Axle      |
| 6           | 137-7857           | 1           | Seal-Shaft            |
| 7           | 112-5181           | 4           | Screw -HSH            |
| 8           | 108-9919           | 1           | O-Ring                |
| 9           | 121-9266           | 2           | Bearing-Ball          |
| 10          | 132-9978           | 1           | Countershaft Gear ASM |
| 12          | 121-9256           | 2           | Bearing-Taper         |
| 13          | 132-9841           | 1           | Shaft ASM             |
| 14          | 127-1519           | 10          | Screw-BHCS            |

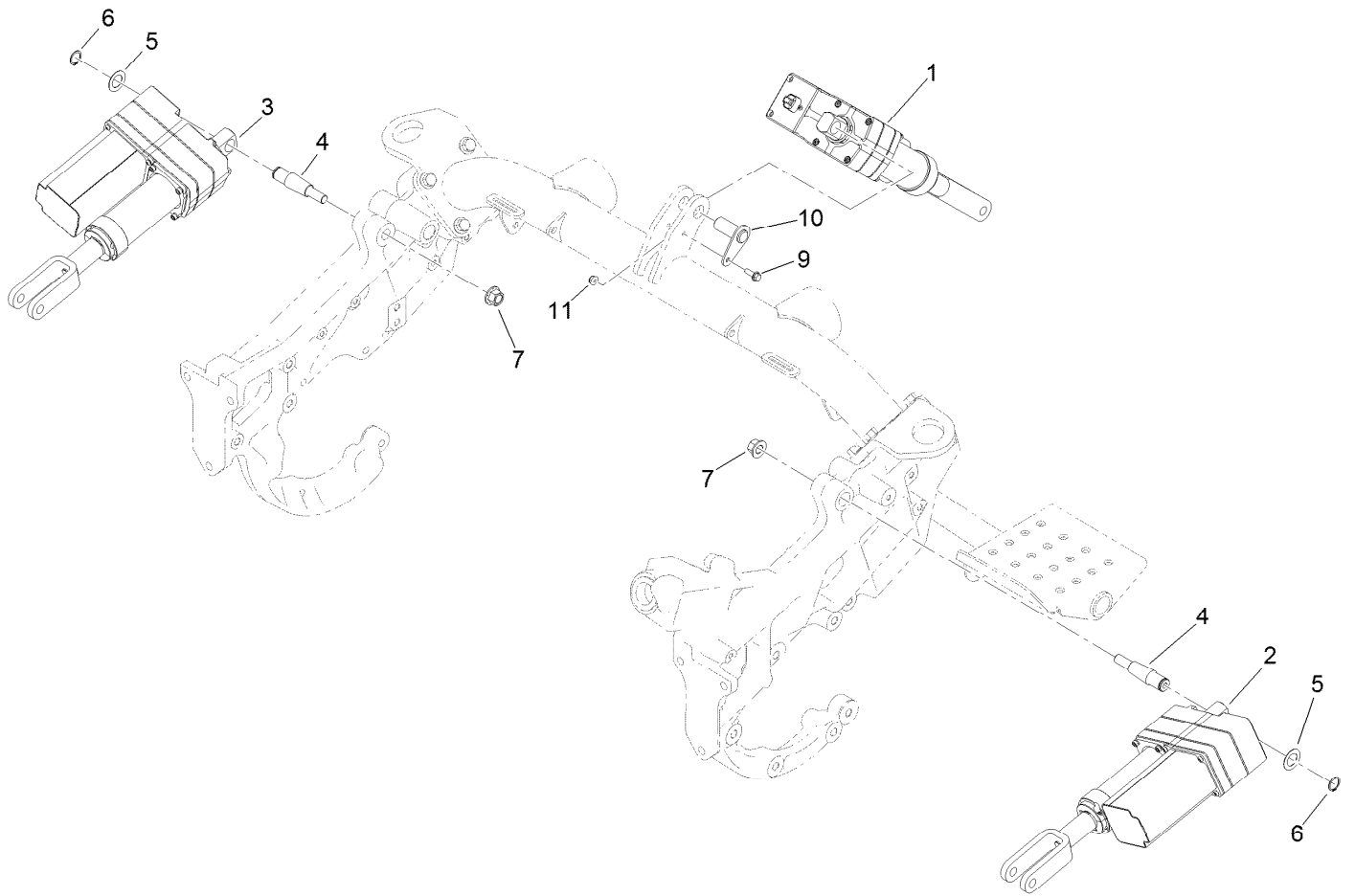
| <i>Ref.</i> | <i>Part Number</i> | <i>Qty.</i> | <i>Description</i> |
|-------------|--------------------|-------------|--------------------|
| 15          | 121-9273           | 1           | O-Ring             |
| 16          | 132-9927           | 1           | Washer-Flat        |
| 17          | 3274-96            | 1           | Screw-HSBH         |
| 18          | 105-3921           | 1           | Fitting-Plug       |
| 18:1        | 237-146            | 1           | O-Ring             |
| 19          | 132-9974           | 1           | Brake ASM          |
| 20          | 121-9247           | 1           | Shaft-Brake        |
| 22          | 121-9250           | 1           | Pin-Lever, Stop    |
| 23          | 120-9683           | 1           | Washer-Plain       |
| 24          | 132-9904           | 1           | Key-Woodruff #91   |
| 25          | 137-7767           | 1           | Screw-HH           |





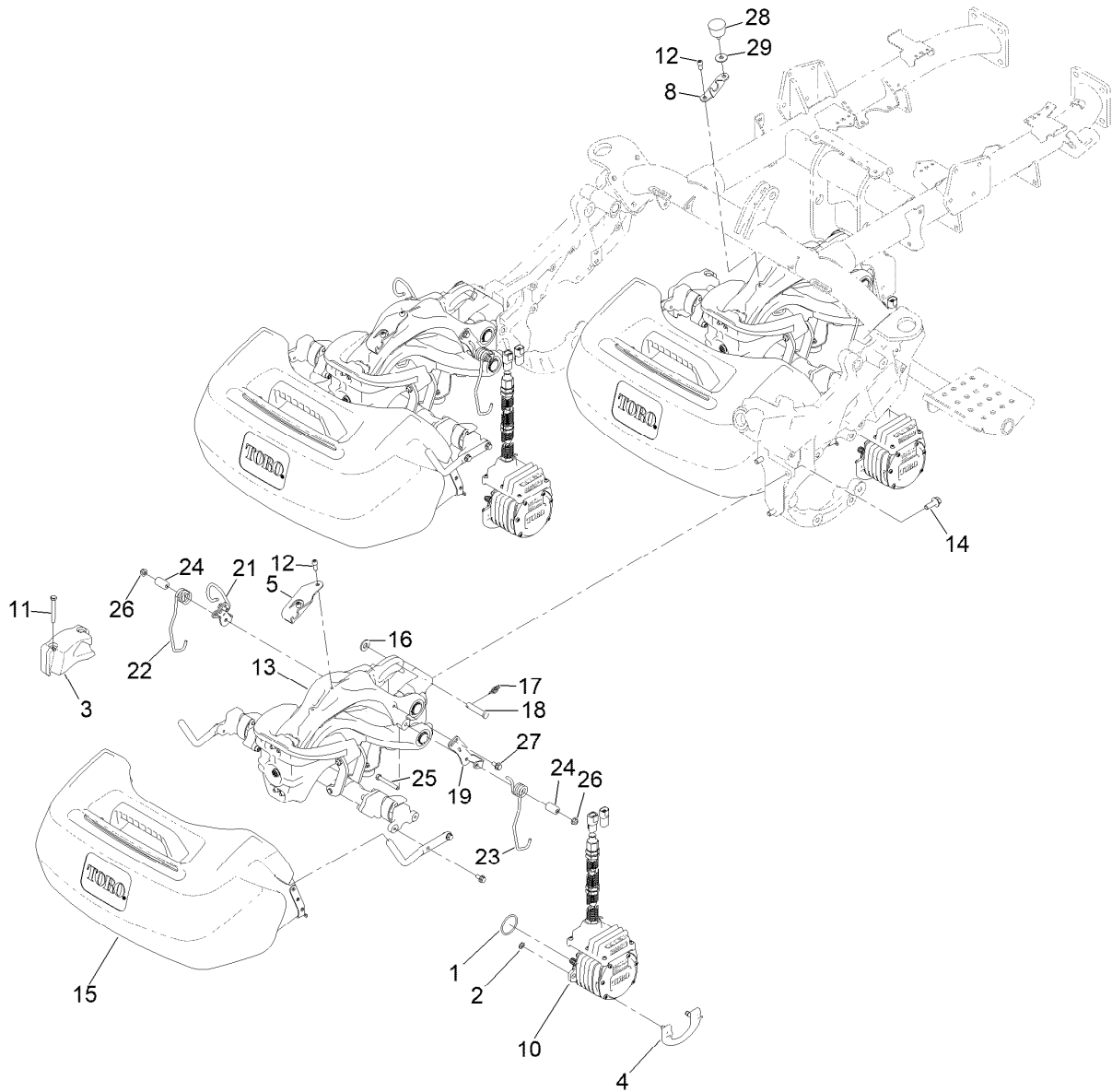
## LH Wheel Motor Assembly No. 139-8567

| <i>Ref.</i> | <i>Part Number</i> | <i>Qty.</i> | <i>Description</i> |
|-------------|--------------------|-------------|--------------------|
| 1           | 139-8568SP         | 1           | LH Motor ASM       |
| 2           | 127-1529           | 1           | Gear Box ASM       |
| 3           | 121-9254           | 1           | Gasket-Gearbox     |
| 4           | 132-9874           | 1           | Lever-Brake, LH    |
| 5           | 353-988            | 2           | Plug-Hex           |
| 5:1         | 237-79             | 1           | O-Ring             |



## Lift Assembly

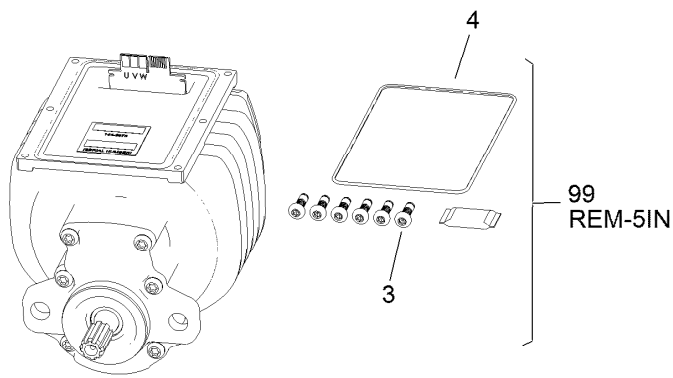
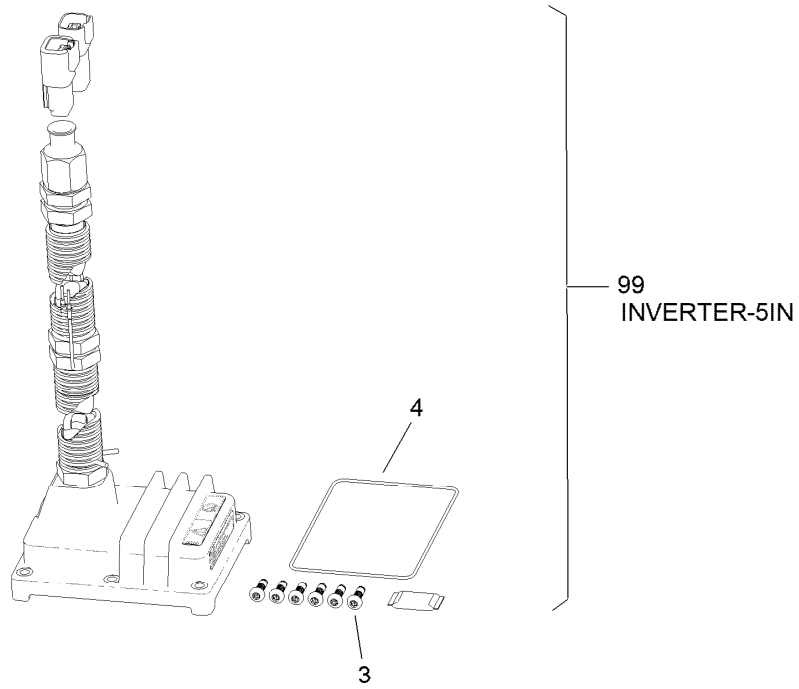
| <b>Ref.</b> | <b>Part Number</b> | <b>Qty.</b> | <b>Description</b> |
|-------------|--------------------|-------------|--------------------|
| 1           | 137-7933           | 1           | Actuator-1 Crown   |
| 2           | 137-7934           | 1           | Actuator-2 Crown   |
| 3           | 137-7935           | 1           | Actuator-3 Crown   |
| 4           | 136-2691           | 2           | Pin-Tapered        |
| 5           | 9202574            | 2           | Washer-Flat        |
| 6           | 32120-72           | 2           | Ring-Snap          |
| 7           | 99-5107            | 2           | Nut-Lock           |
| 9           | 115-5103           | 1           | Screw-HHF          |
| 10          | 137-7766           | 1           | Pin ASM            |
| 11          | 104-7201           | 1           | Nut-HF, NI         |



## Suspension, Reel Motor and Basket Assembly

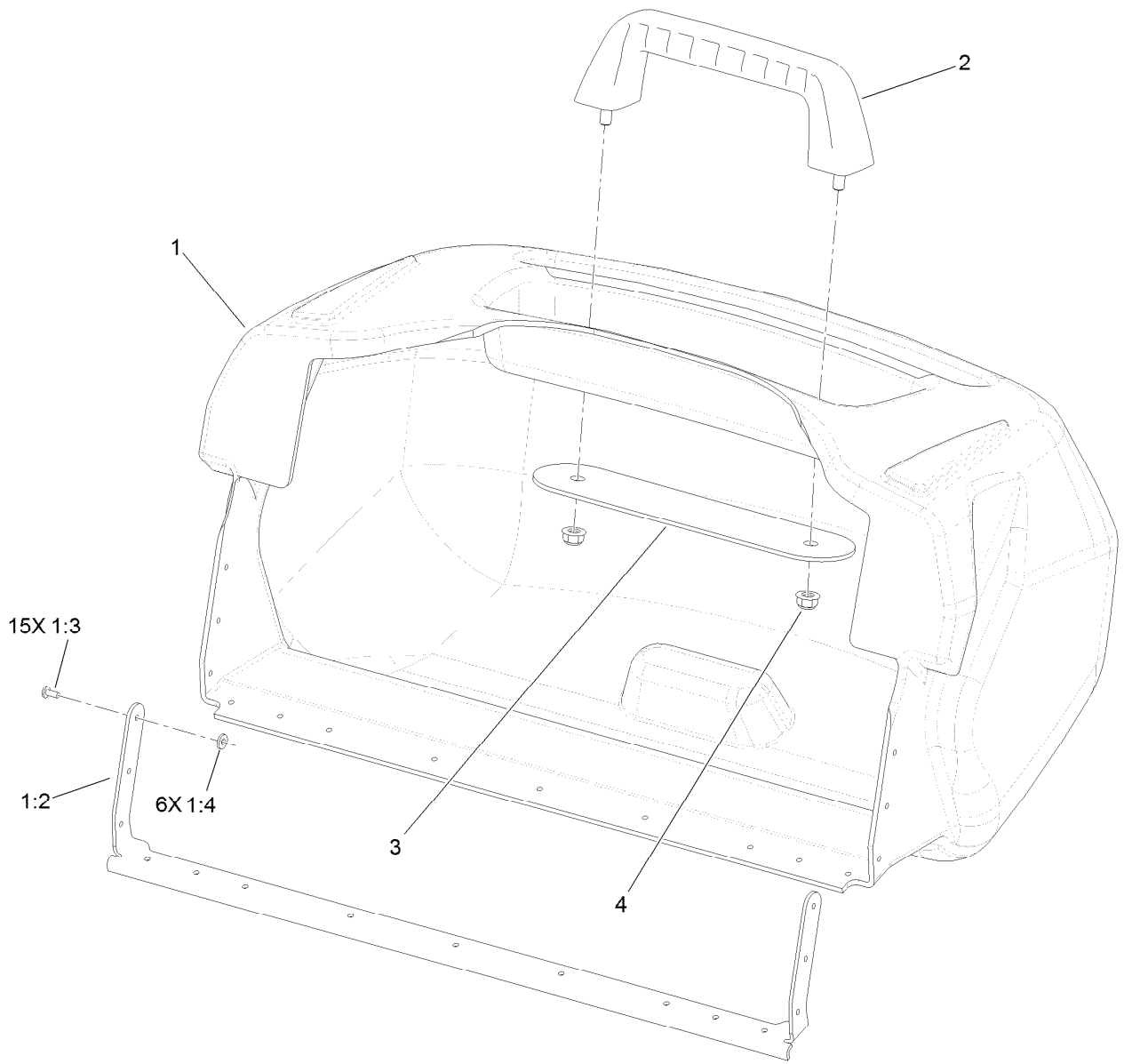
| Ref. | Part Number | Qty. | Description             | Ref. | Part Number | Qty. | Description           |
|------|-------------|------|-------------------------|------|-------------|------|-----------------------|
| 1    | 115-3298    | 3    | O-Ring                  | 17   | 112-1491    | 3    | Pin-Cotter            |
| 2    | 133-8926    | 6    | Ring-Retaining (Metric) | 18   | 92-2739     | 3    | Pin-Clevis            |
| 3    | 117-6774-03 | 3    | Weight-Electric         | 19   | 133-8998    | 3    | Retainer-Spring, LH   |
| 4    | 115-5389    | 3    | Cam-Mount, Motor        | 21   | 133-9025    | 3    | Bracket ASM           |
| 5    | 119-7487    | 2    | Bracket-Clamp, Hose     | 22   | 117-6826    | 3    | Spring-Stabilizer, RH |
| 8    | 119-7540    | 1    | Bracket-Hose, Rear      | 23   | 117-6827    | 3    | Spring-Stabilizer, LH |
| 10   |             | 3    | Rem/Inv Assy, 5In Grn ● | 24   | 117-6825    | 6    | Spacer                |
| 11   | 322-13      | 6    | Screw-HH                | 25   | 322-12      | 6    | Screw-HH              |
| 12   | 100-2401    | 5    | Screw-HSH               | 26   | 104-8300    | 6    | Nut-HF, NI            |
| 13   |             | 3    | Suspension ASM ●        | 27   | 114-7728    | 6    | Screw-HF              |
| 14   | 117-9035    | 9    | Screw-HHF               | 28   | 68-3270     | 1    | Bumper-Rubber         |
| 15   | 132-9599    | 3    | Basket ASM              | 29   | 52-2861     | 1    | Washer                |
| 16   | 29-8910     | 3    | Washer                  |      |             |      |                       |

● Not serviced separately



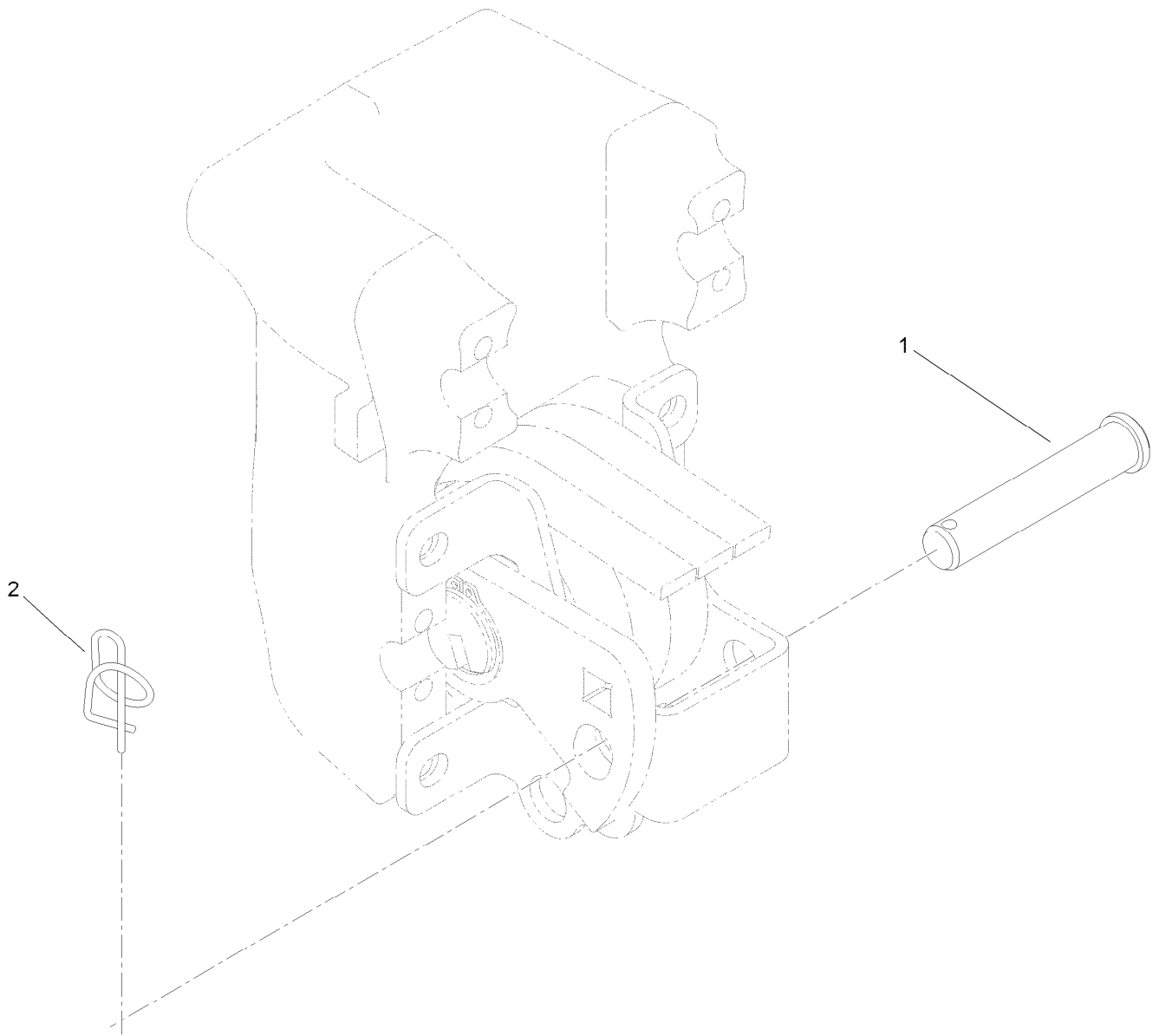
## Motor Assembly

| Ref. | Part Number | Qty. | Description               |
|------|-------------|------|---------------------------|
| 3    | 144-6692    | 6    | Screw-Tph                 |
| 4    | 144-6738    | 1    | O-Ring-Formed, Controller |
| 99   | 161-0344    | 1    | Rem-5In Greens            |
| 99   | 161-0345    | 1    | Inverter-5In Greens       |



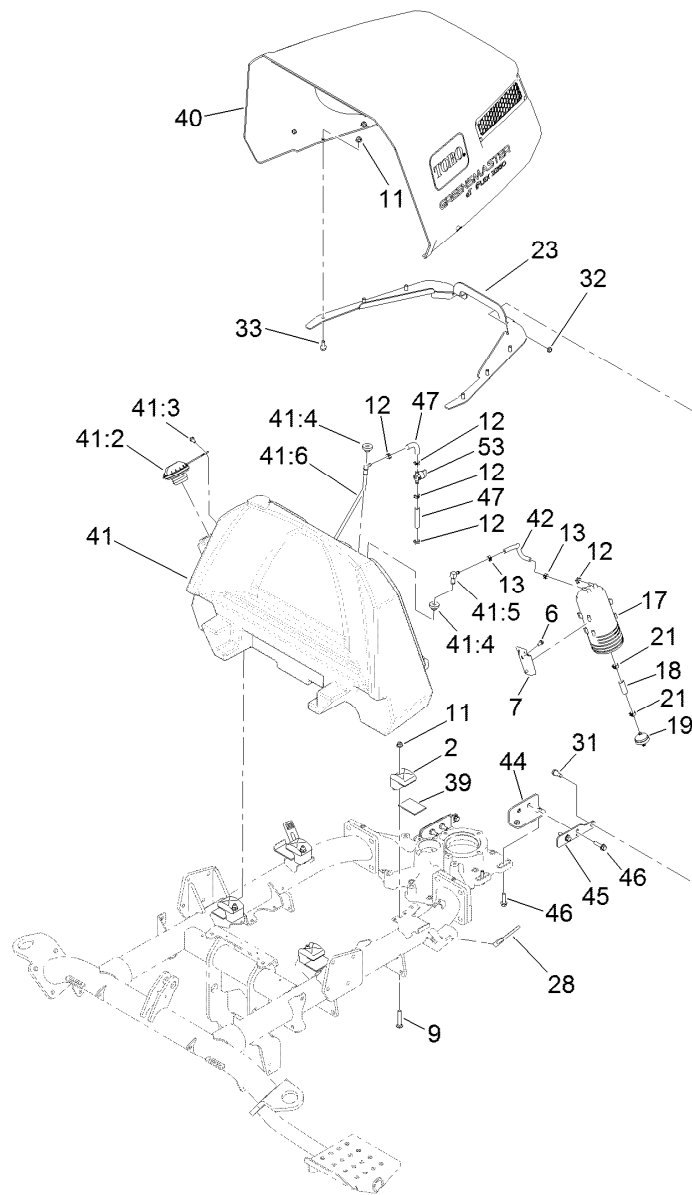
## Basket Assembly No. 132-9599

| <i>Ref.</i> | <i>Part Number</i> | <i>Qty.</i> | <i>Description</i> |
|-------------|--------------------|-------------|--------------------|
| 1           | 132-9510           | 1           | Basket Assembly    |
| 1:2         | 132-3806           | 1           | Support-Basket     |
| 1:3         | 3269-25            | 15          | Rivet-Pop          |
| 1:4         | 3256-75            | 6           | Washer-Flat        |
| 2           | 117-8088           | 1           | Handle-Grab        |
| 3           | 117-8092-03        | 1           | Plate-Mounting     |
| 4           | 104-8300           | 2           | Nut-HF, NI         |



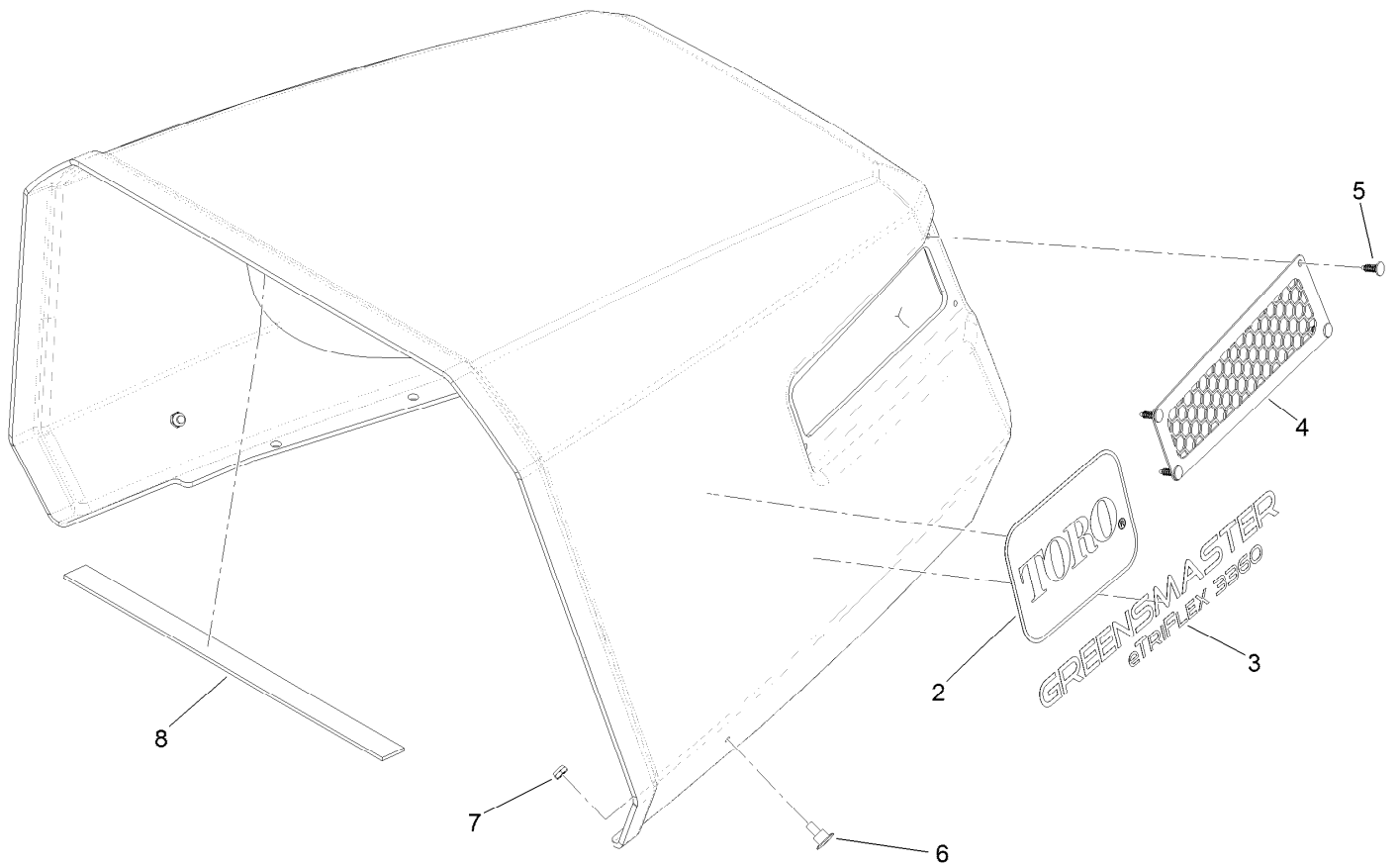
## Suspension Pin Position Assembly

| <i>Ref.</i> | <i>Part Number</i> | <i>Qty.</i> | <i>Description</i> |
|-------------|--------------------|-------------|--------------------|
| 1           | 100-6541           | 3           | Pin-Clevis         |
| 2           | 112-1491           | 3           | Pin-Cotter         |



## Fuel Tank and Hood Assembly

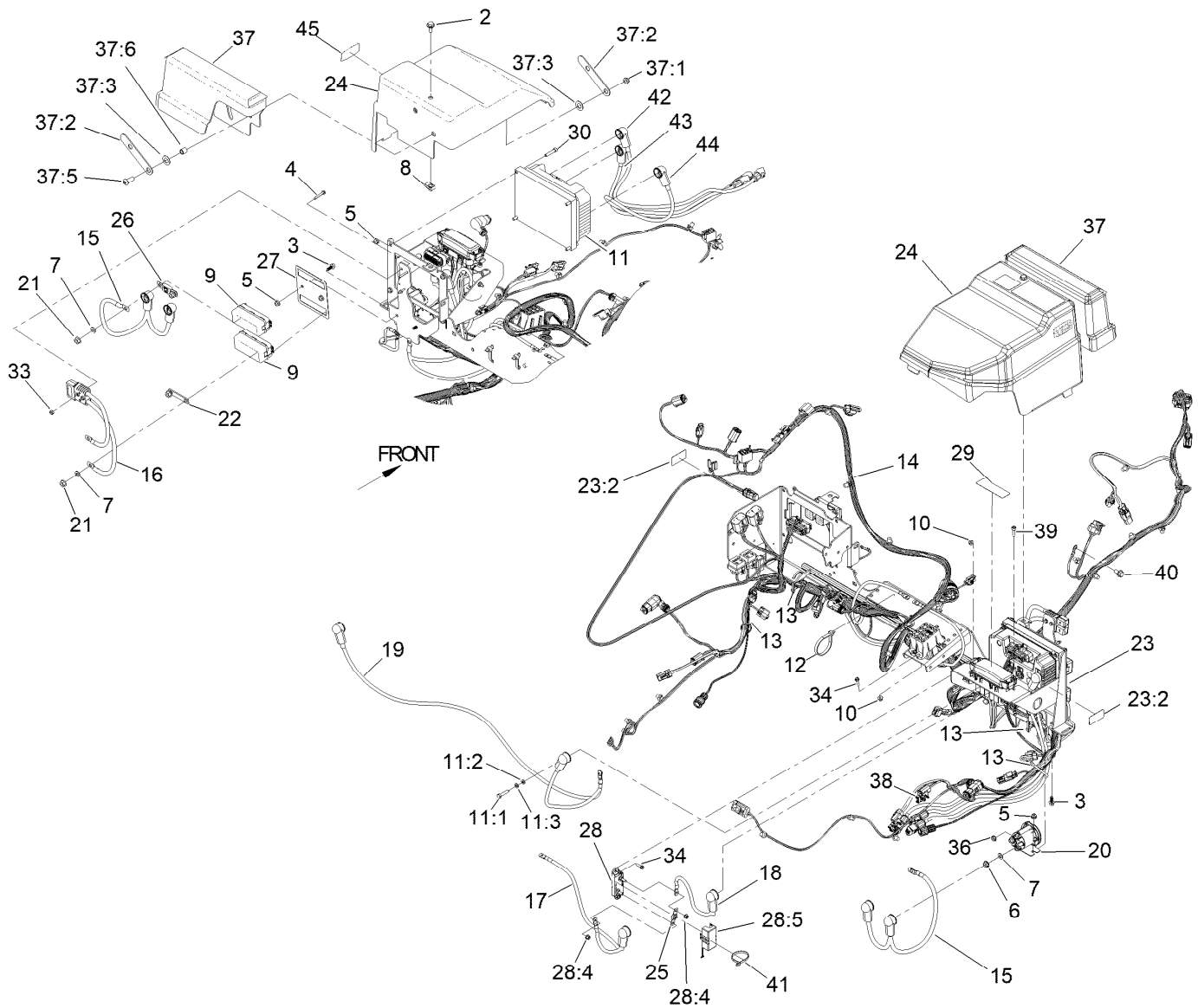
| <i>Ref.</i> | <i>Part Number</i> | <i>Qty.</i> | <i>Description</i>       | <i>Ref.</i> | <i>Part Number</i> | <i>Qty.</i> | <i>Description</i>    |
|-------------|--------------------|-------------|--------------------------|-------------|--------------------|-------------|-----------------------|
| 2           | 107-4543           | 4           | Clamp                    | 33          | 3234-47            | 6           | Screw-HHF             |
| 6           | 32144-4            | 2           | Screw-HWH                | 39          | 136-4259           | 4           | Foam-Strip, Tank      |
| 7           | 114-0292           | 1           | Bracket-Canister, Carbon | 40          | 139-8316           | 1           | Engine Hood ASM       |
| 9           | 3230-6             | 4           | Bolt-CARR                | 41          | 137-8108           | 1           | Fuel Tank ASM         |
| 11          | 104-8300           | 10          | Nut-HF, NI               | 41:2        | 117-1722           | 1           | Cap-Fuel              |
| 12          | 2412-98            | 5           | Clamp-Hose               | 41:3        | 32144-4            | 1           | Screw-HWH             |
| 13          | 2412-146           | 2           | Clamp-Hose               | 41:4        | 46-6560            | 2           | Bushing               |
| 17          | 117-1221           | 1           | Canister-Carbon, 800Cc   | 41:5        | 116-2288           | 1           | Fitting-Elbow, 90 DEG |
| 18          | 106-5317           | 1           | Hose-Fuel                | 41:6        | 132-9905           | 1           | Pipe-Stand            |
| 19          | 115-7854           | 1           | Filter-Fuel, Inline      | 42          | 51-3210            | 1           | Hose-Fuel             |
| 21          | 92-2379            | 2           | Clamp-Hose               | 44          | 137-2242-03        | 2           | Bracket-Hood          |
| 23          | 137-2193-03        | 1           | Bracket-Hinge, Shroud    | 45          | 137-7914           | 2           | Bracket-Hood          |
| 28          | 131-8402           | 2           | Strap-Down, Hold         | 46          | 119-4036           | 8           | Screw-HHF             |
| 31          | 115-1958           | 2           | Bolt-Shoulder            | 47          | 109-0304           | 2           | Hose-Fuel             |
| 32          | 99-6007            | 2           | Nut-Lock, NI             | 53          | 1-603770           | 1           | Valve-Fuel            |



## Hood Assembly No. 139-8316

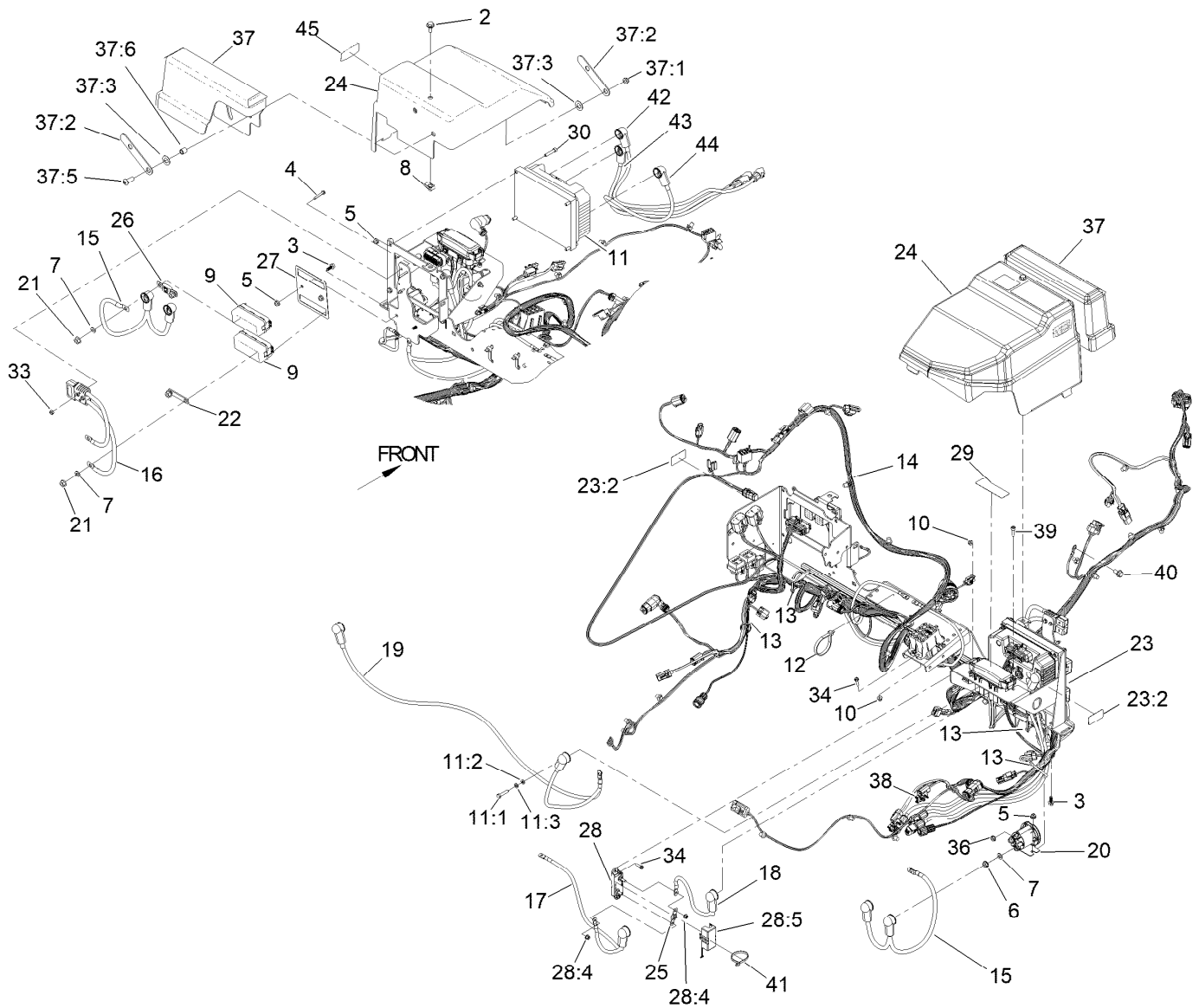
| Ref. | Part Number | Qty. | Description  |
|------|-------------|------|--------------|
| 2    | 62-5550     | 2    | Decal        |
| 3    | 137-7827    | 2    | Decal        |
| 4    | 137-7911-03 | 2    | Screen       |
| 5    | 120-6737    | 8    | Plug-Plastic |
| 6    | 125-1122    | 2    | Screw        |
| 7    | 3296-56     | 2    | Nut-Lock, NI |
| 8    | 137-8082    | 1    | Strip-Foam   |





## Electrical Assembly

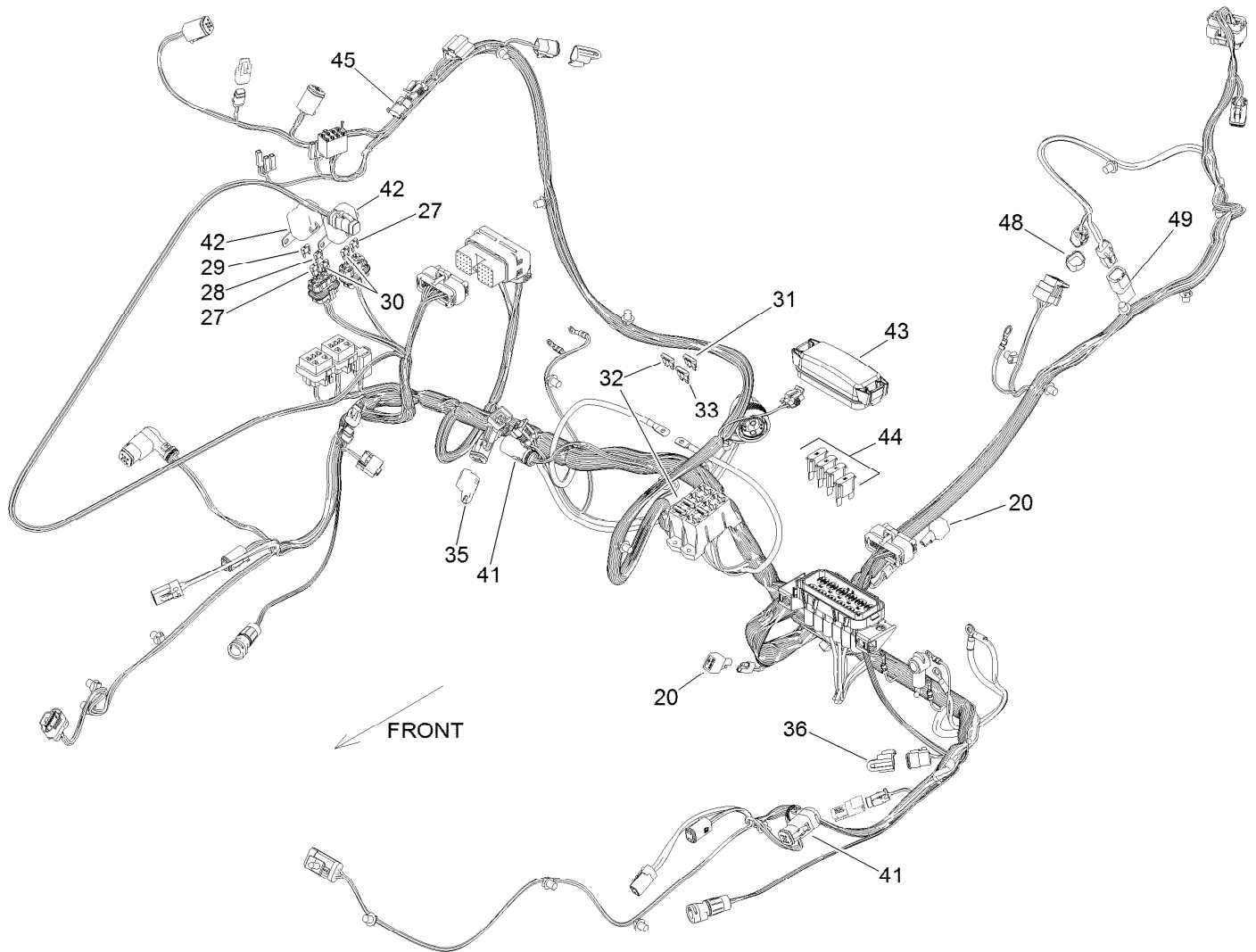
| Ref. | Part Number | Qty. | Description                | Ref. | Part Number | Qty. | Description               |
|------|-------------|------|----------------------------|------|-------------|------|---------------------------|
| 2    | 19-1470     | 1    | Screw-Shoulder             | 20   | 122-1274    | 2    | Contactora-DC, 48V        |
| 3    | 99-6810     | 6    | Screw-HHF                  | 21   | 127-2371    | 4    | Nut-HF                    |
| 4    | 100-4352    | 2    | Screw-HWH                  | 22   | 132-9815    | 1    | Strap-Jumper              |
| 5    | 104-7201    | 10   | Nut-HF, NI                 | 23   | 137-8196    | 1    | Bracket-Components        |
| 6    | 107-0380    | 4    | Nut-HF                     | 23:2 | 137-8127    | 2    | Decal-No Spray            |
| 7    | 107-0394    | 8    | Washer-Flat                | 24   | 147-3084    | 1    | Cover-LH                  |
| 8    | 112-3306    | 1    | Nut                        | 25   | 137-7707    | 1    | Fuse-60 Amp               |
| 9    | 114-3318    | 2    | Holder-Fuse, Mega          | 26   | 137-7722    | 1    | Fuse-150 Amp              |
| 10   | 120-4578    | 6    | Nut-HF                     | 27   | 137-7835    | 1    | Bracket-Fuses             |
| 11   | 120-4780    | 1    | Controller-Motor, Traction | 28   | 137-7861    | 1    | Fuse Block ASM            |
| 11:1 | 33113-030   | 5    | Screw-HH                   | 28:4 | 120-4580    | 2    | Nut-HF                    |
| 11:2 | 33093-00    | 5    | Washer-Flat                | 28:5 | 137-7863    | 1    | Cover-Fuse                |
| 11:3 | 43-5930     | 5    | Washer-Lock, Spring        | 29   | 137-8037    | 1    | Decal-Fuses, Cutting Unit |
| 12   | 3334-945    | 3    | Tie-Cable                  | 30   | 3274-51     | 4    | Screw-HSH                 |
| 13   | 3290-379    | 4    | Tie-Cable                  | 33   | 3296-2      | 2    | Nut-Lock, NI              |
| 14   | 122-1921    | 1    | Harness-Wire, E-Tri-Flex   | 34   | 32105-13    | 6    | Screw-HWH                 |
| 15   | 122-1695    | 1    | Cable-Battery, Positive    | 36   | 32149-8     | 4    | Nut-Keys                  |
| 16   | 122-1698    | 1    | Cable-Battery, Pos And Neg | 37   | 145-4587    | 1    | Charge Port Cover Kit     |
| 17   | 122-1108    | 1    | Cable-Battery, Positive    | 37:1 | 121-4600    | 2    | Nut-Hex                   |
| 18   | 122-1112    | 1    | Cable-Battery, Positive    | 37:2 | 145-4563    | 2    | Bar-Pivot                 |
| 19   | 122-1115    | 1    | Cable-Battery, Negative    | 37:3 | 110-4068    | 4    | Washer-Plastic            |



## Electrical Assembly (continued)

| <i>Ref.</i> | <i>Part Number</i> | <i>Qty.</i> | <i>Description</i>     |
|-------------|--------------------|-------------|------------------------|
| 37:5        | 3274-94            | 2           | Screw-HSBH             |
| 37:6        | 103-1166           | 2           | Spacer-Tube, Pump Link |
| 38          | 32180-103          | 2           | Clip-Connector         |
| 39          | 52-6290            | 2           | Screw-HSH              |
| 40          | 33104-016          | 1           | Screw-HHF              |

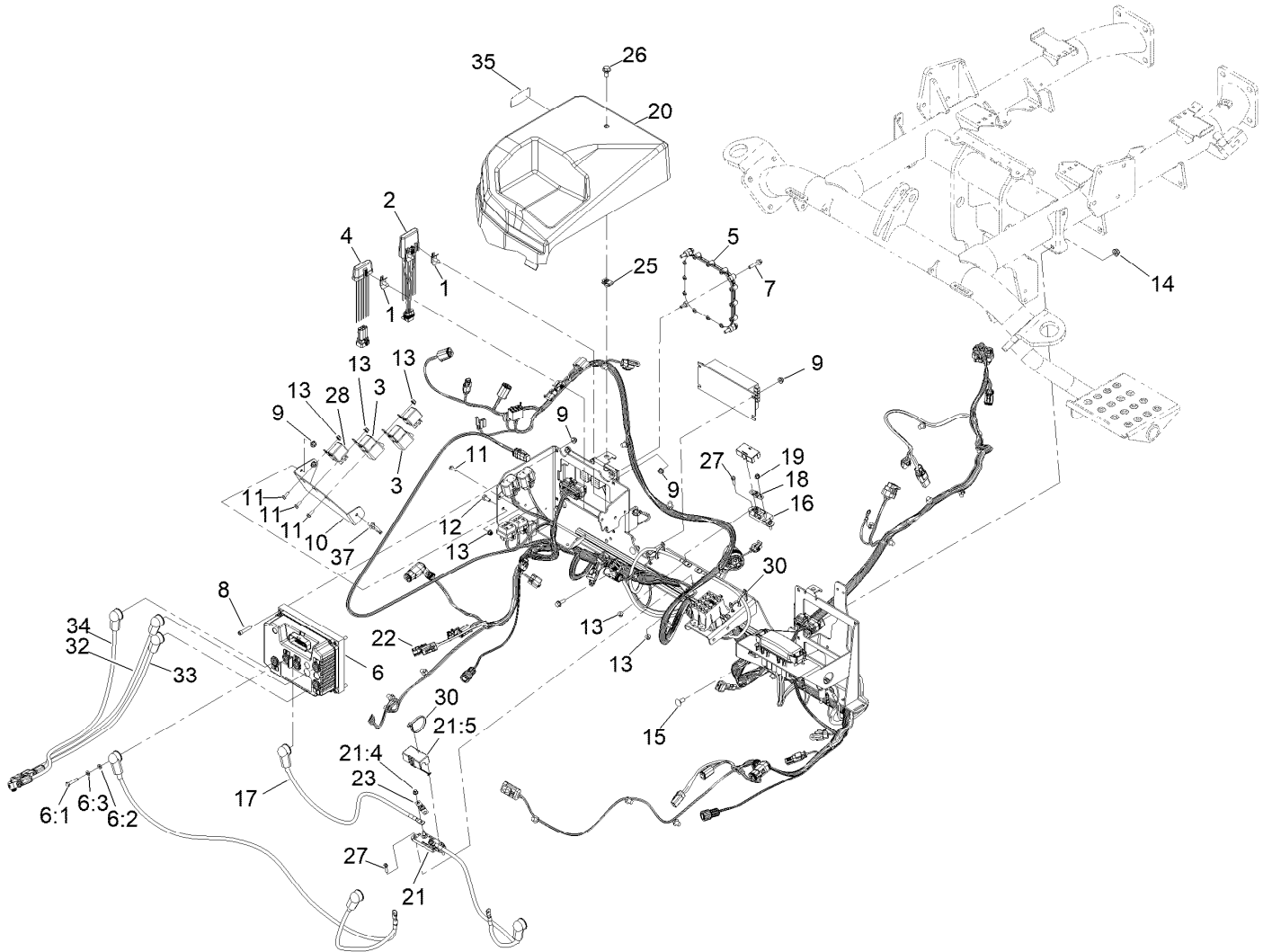
| <i>Ref.</i> | <i>Part Number</i> | <i>Qty.</i> | <i>Description</i>      |
|-------------|--------------------|-------------|-------------------------|
| 41          | 3290-378           | 1           | Tie-Cable               |
| 42          | 122-1611           | 1           | Cable-Battery, Positive |
| 43          | 122-1612           | 1           | Cable-Battery, Positive |
| 44          | 122-1613           | 1           | Cable-Battery, Positive |
| 45          | 119-7580           | 1           | Decal-Smart, Energy     |



## Wire Harness Assembly No. 122-1921

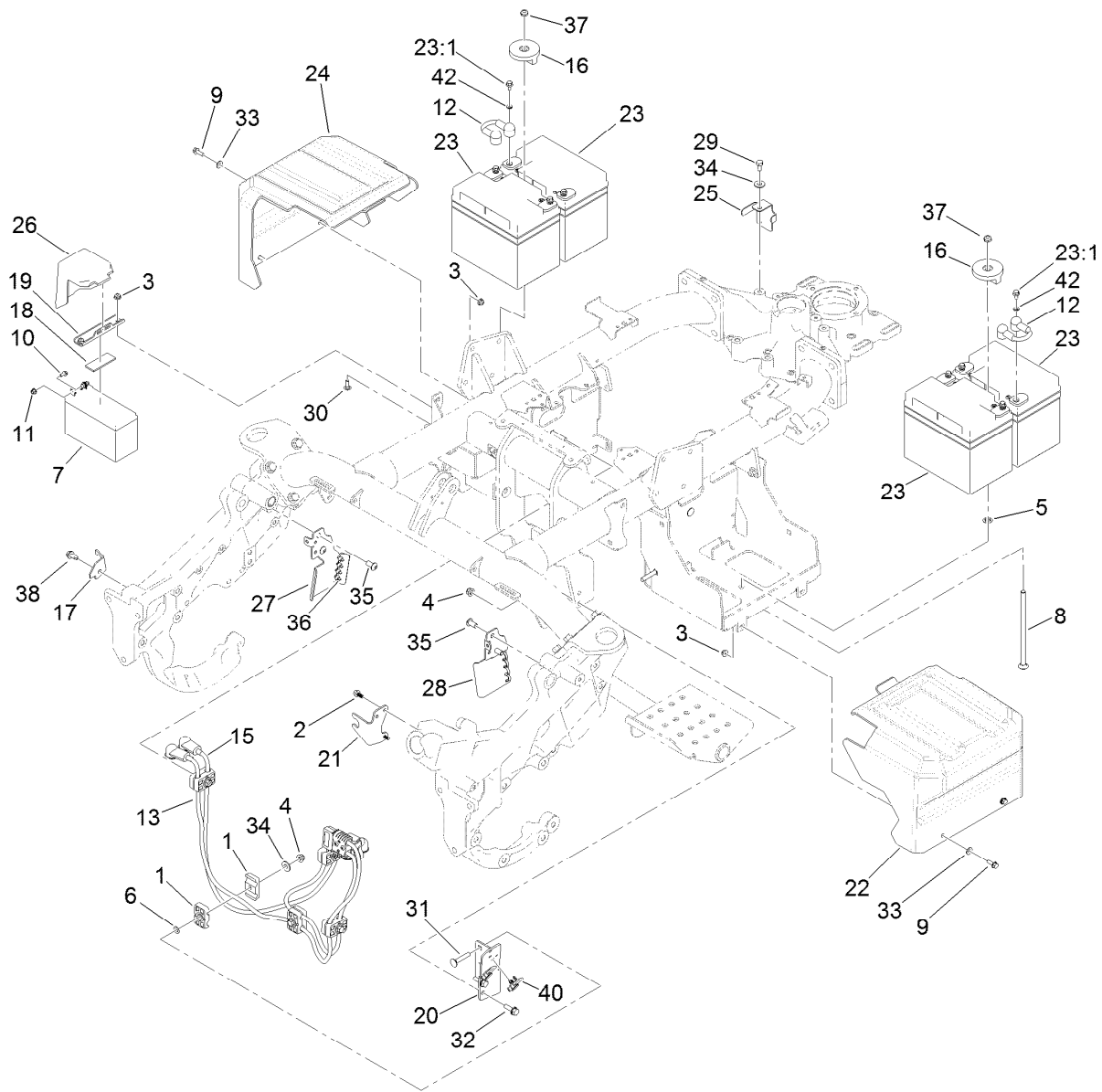
| Ref. | Part Number | Qty. | Description              |
|------|-------------|------|--------------------------|
| 20   | 100-4918    | 2    | Diode                    |
| 27   | 121-8861    | 2    | Fuse-Mini Blade, 2 Amp   |
| 28   | 121-8865    | 1    | Fuse-Mini Blade, 7.5 Amp |
| 29   | 121-8866    | 1    | Fuse-Mini Blade, 10 Amp  |
| 30   | 121-8867    | 2    | Fuse-Mini Blade, 15 Amp  |
| 31   | 117-4722    | 1    | Fuse-Blade, 5A           |
| 32   | 117-4724    | 4    | Fuse-Blade, 10A          |
| 33   | 117-4728    | 1    | Fuse-Blade, 30A          |
| 35   | 32180-156   | 1    | Cap-Plug, 6 Way          |

| Ref. | Part Number | Qty. | Description                        |
|------|-------------|------|------------------------------------|
| 36   | 32180-089   | 2    | Cap-Plug, 3 Way                    |
| 41   | 32180-090   | 3    | Backshell-Deutsch, Dt06-06S 90 DEG |
| 42   | 32180-179   | 2    | Cover-Bussman                      |
| 43   | 32180-146   | 1    | Cover-Fuse                         |
| 44   | 122-0255    | 3    | Fuse-Maxi, 35 Amp-58V              |
| 45   | 32180-056   | 1    | Cap                                |
| 48   | 32180-260   | 1    | Cap-Deutsch, Dust, 4 Way           |
| 49   | 32160-245   | 1    | Connector                          |



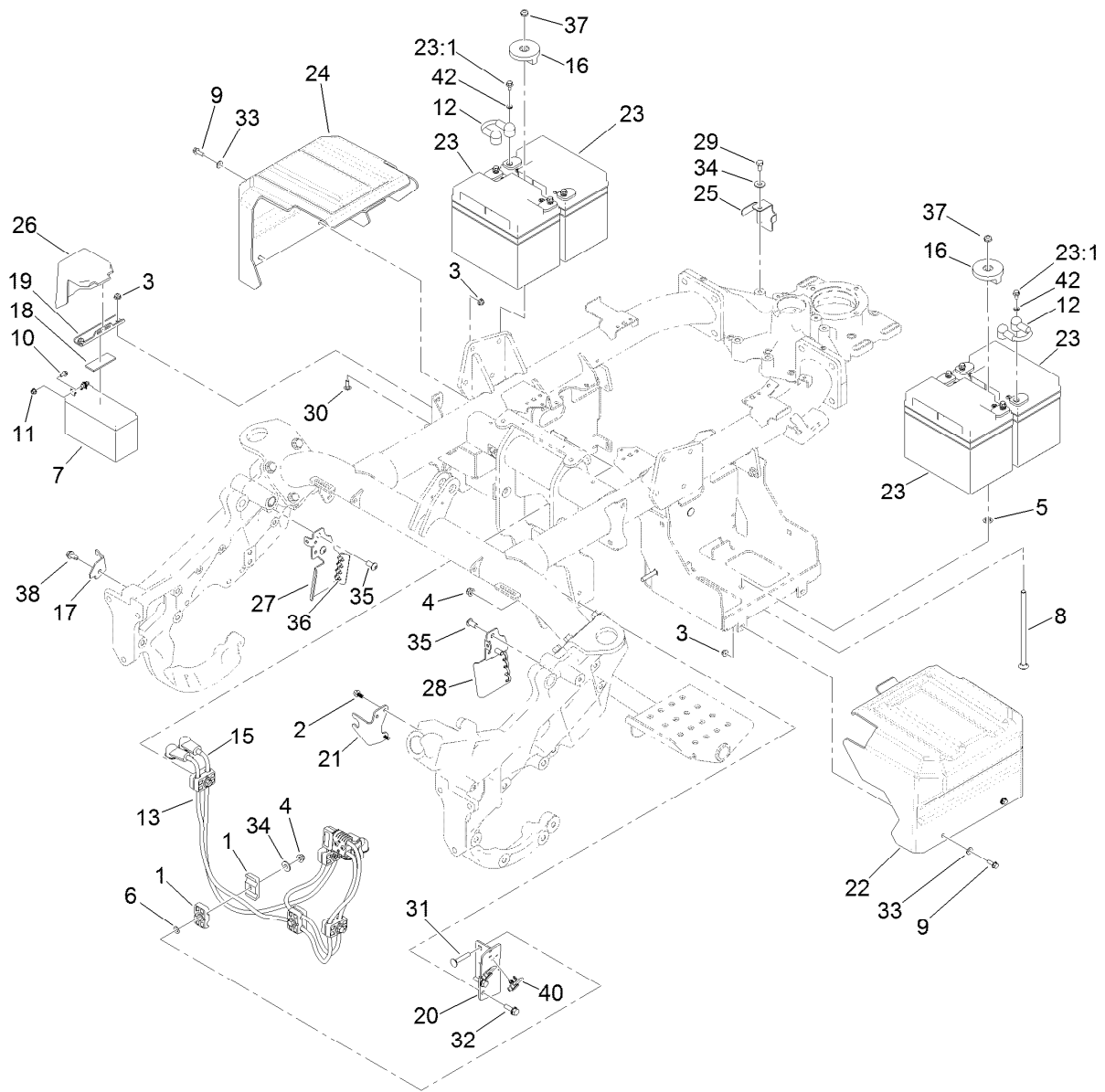
## Controller Assembly

| Ref. | Part Number | Qty. | Description                | Ref. | Part Number | Qty. | Description                 |
|------|-------------|------|----------------------------|------|-------------|------|-----------------------------|
| 1    | 32180-011   | 3    | Clip-Connector             | 17   | 122-1110    | 1    | Cable-Battery, Positive     |
| 2    | 119-4330    | 1    | Isolated Can Module ASM    | 18   | 137-7708    | 1    | Fuse-100 Amp                |
| 3    | 99-7430     | 2    | Relay-Mini                 | 19   | 120-4580    | 2    | Nut-HF                      |
| 4    | 112-9630    | 1    | Module-Reel, I.D.          | 20   | 133-0095    | 1    | Cover-RH                    |
| 5    | 127-2770    | 1    | Controller                 | 21   | 137-7861    | 1    | Fuse Block ASM              |
| 6    | 120-4780    | 1    | Controller-Motor, Traction | 21:4 | 120-4580    | 2    | Nut-HF                      |
| 6:1  | 33113-030   | 5    | Screw-HH                   | 21:5 | 137-7863    | 1    | Cover-Fuse                  |
| 6:2  | 33093-00    | 5    | Washer-Flat                | 22   | 32180-103   | 2    | Clip-Connector              |
| 6:3  | 43-5930     | 5    | Washer-Lock, Spring        | 23   | 137-7707    | 1    | Fuse-60 Amp                 |
| 7    | 127-8639    | 4    | Screw-HHF                  | 25   | 112-3306    | 1    | Nut                         |
| 8    | 3274-51     | 4    | Screw-HSH                  | 26   | 19-1470     | 1    | Screw-Shoulder              |
| 9    | 104-7201    | 10   | Nut-HF, NI                 | 27   | 32105-13    | 4    | Screw-HWH                   |
| 10   | 147-3088-0P | 1    | Bracket-Component          | 28   | 122-3199    | 1    | Relay - Dg57CM              |
| 11   | 32105-23    | 7    | Screw                      | 30   | 3290-378    | 5    | Tie-Cable                   |
| 12   | 321-3       | 2    | Screw-HH                   | 32   | 122-1614    | 1    | Cable-Battery, Positive ASM |
| 13   | 120-4578    | 11   | Nut-HF                     | 33   | 122-1615    | 1    | Cable-Battery, Positive ASM |
| 14   | 104-8300    | 4    | Nut-HF, NI                 | 34   | 122-1616    | 1    | Cable-Battery, Positive ASM |
| 15   | 3230-1      | 4    | Bolt-CARR                  | 35   | 119-7580    | 1    | Decal-Smart, Energy         |
| 16   | 132-9796    | 1    | Fuse-Holder, Midi Fuse     | 37   | 32180-030   | 1    | Clip-Tie                    |



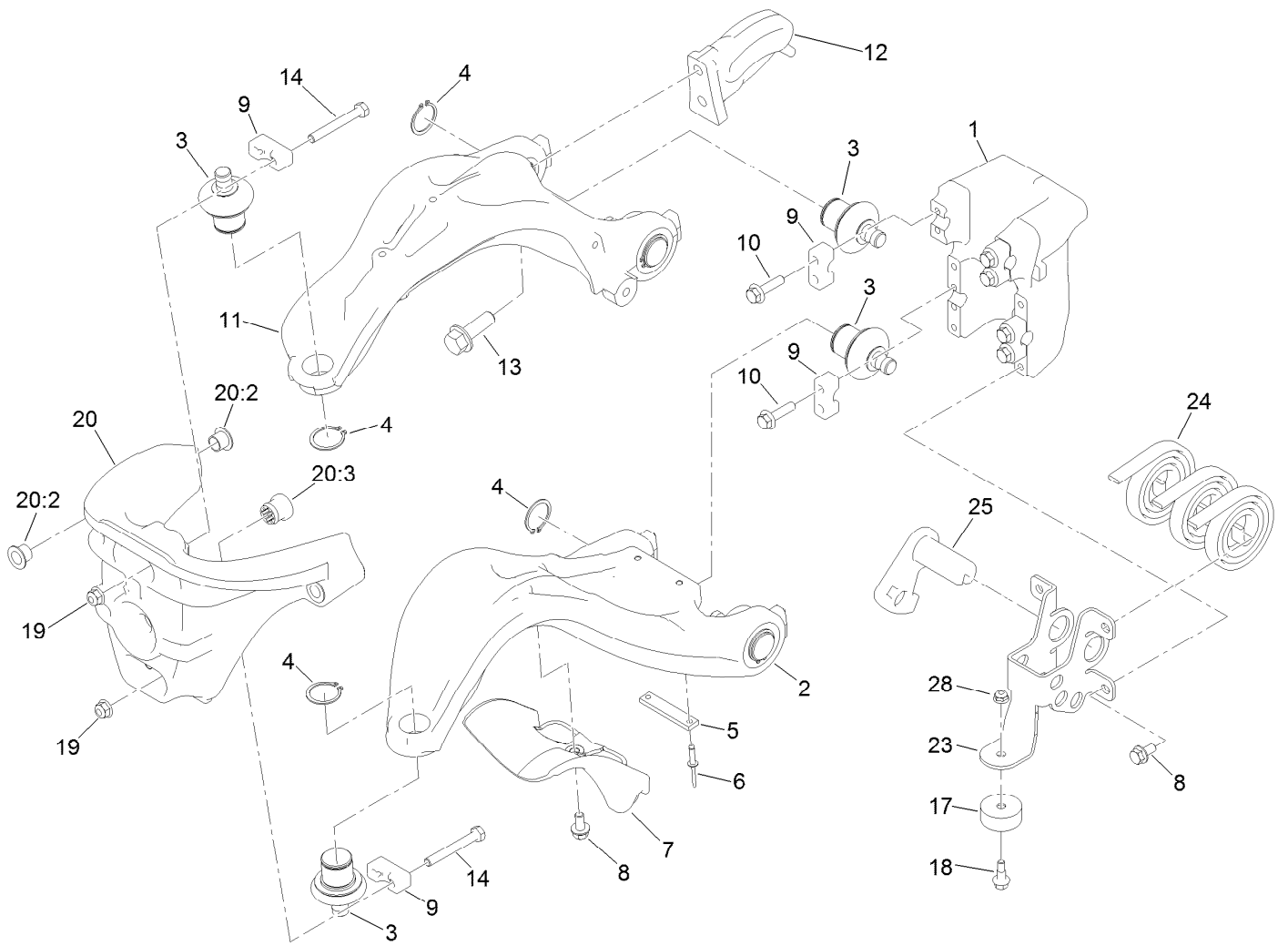
## Battery Assembly

| Ref. | Part Number | Qty. | Description                             | Ref. | Part Number | Qty. | Description                   |
|------|-------------|------|---|------|-------------|------|-------------------------------|
| 1    | 56-7976     | 10   | Clamp-Tube                              | 21   | 136-2697    | 1    | Bracket-Hose                  |
| 2    | 99-6810     | 2    | Screw-HHF                               | 22   | 137-7711    | 1    | Cover-Battery                 |
| 3    | 104-7201    | 6    | Nut-HF, NI                              | 23   | 137-7734    | 4    | Battery-Wet, 12V 33Ah, Sealed |
| 4    | 104-8300    | 7    | Nut-HF, NI                              | 23:1 | 33113-012   | 2    | Screw-HH                      |
| 5    | 107-3154    | 2    | Nut-Push                                | 24   | 137-7849    | 1    | Cover-Battery, RH             |
| 6    | 109-5667    | 5    | Nut-Push                                | 25   | 137-7859    | 1    | Bracket-Harness               |
| 7    | 112-9621    | 1    | Battery-Wet, 12V 9Ah, Sealed            | 26   | 137-7867    | 1    | Cover-Battery                 |
| 8    | 117-1399    | 2    | Bolt-Carriage                           | 27   | 137-7905-01 | 1    | Bracket-Harness, RH           |
| 9    | 32105-15    | 4    | Screw-HWH                               | 28   | 137-7906-01 | 1    | Bracket-Harness, LH           |
| 10   | 120-4579    | 2    | Screw-HHF                               | 29   | 3210-2      | 1    | Screw-HH                      |
| 11   | 120-4580    | 2    | Nut-HF                                  | 30   | 3229-1      | 2    | Screw-CARR                    |
| 12   | 122-1105    | 2    | Positive Battery Cable ASM              | 31   | 3230-5      | 5    | Bolt-CARR                     |
| 13   | 122-1113    | 1    | Positive And Negative Battery Cable ASM | 32   | 3234-29     | 2    | Screw-HHF                     |
| 15   | 122-1381    | 1    | Positive Battery Cable ASM              | 33   | 3256-1      | 4    | Washer-Flat                   |
| 16   | 127-2393    | 2    | Hold Down-Battery                       | 34   | 3256-3      | 6    | Washer-Flat                   |
| 17   | 139-8409    | 1    | Brkt-Hose                               | 35   | 3274-80     | 4    | Screw-HH                      |
| 18   | 133-0081    | 1    | Strip-Foam                              | 36   | 3290-378    | 8    | Tie-Cable                     |
| 19   | 133-0082    | 1    | Channel-Clamp, Battery                  | 37   | 3296-59     | 2    | Nut-Lock, NI                  |
| 20   | 133-0083-03 | 1    | Bracket-Hose, Rear                      | 38   | 32104-32    | 1    | Screw-HWH                     |



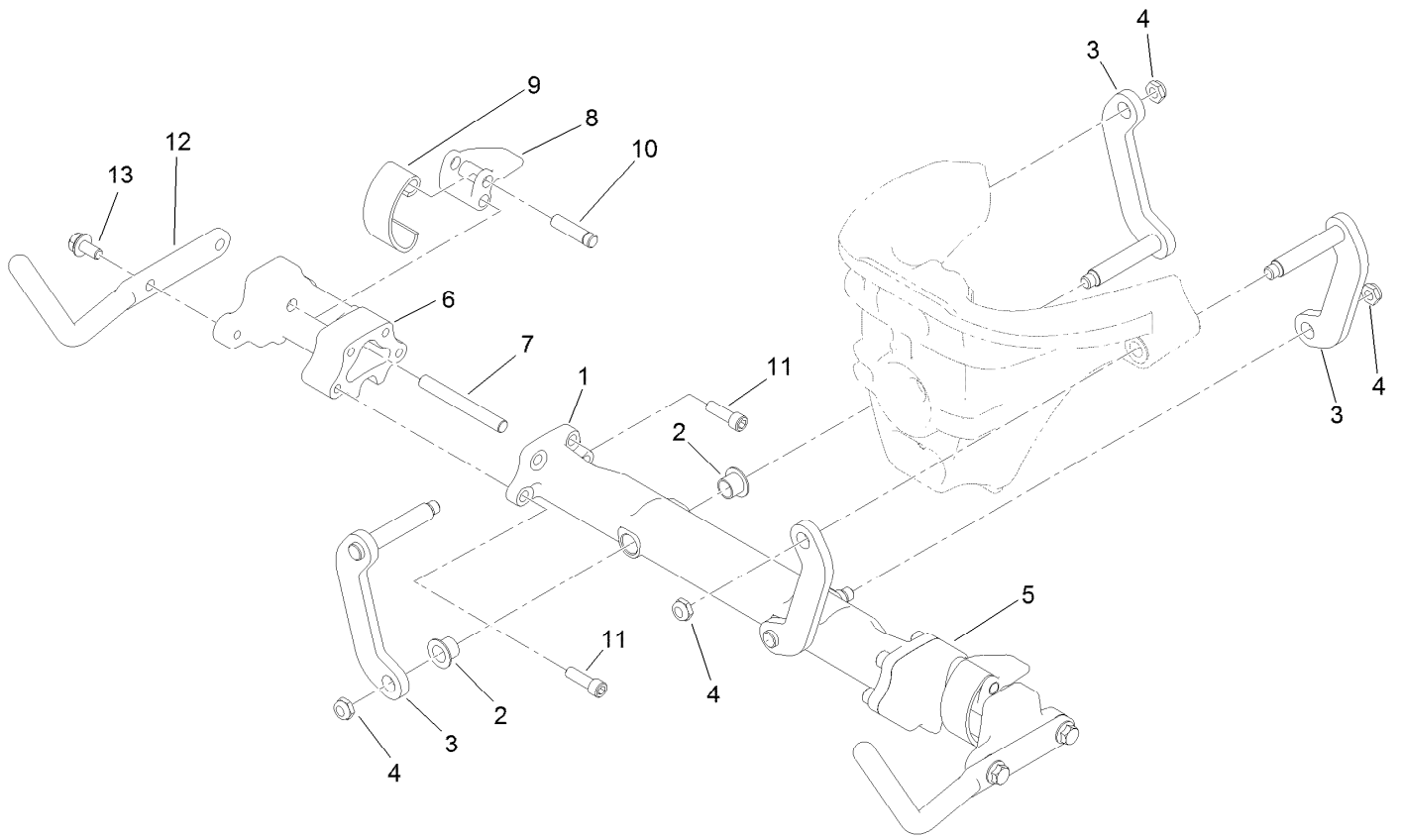
## Battery Assembly (continued)

| Ref. | Part Number | Qty. | Description         |
|------|-------------|------|---------------------|
| 40   | 32180-103   | 2    | Clip-Connector      |
| 42   | 43-5930     | 8    | Washer-Lock, Spring |



## Suspension A-Arm Assembly

| Ref. | Part Number | Qty. | Description         | Ref. | Part Number | Qty. | Description        |
|------|-------------|------|---------------------|------|-------------|------|--------------------|
| 1    | 117-9480    | 1    | Mount-Pivot, A-Arms | 13   | 100-6116    | 2    | Screw-HHF          |
| 2    | 117-6656    | 1    | A-Arm, Lower        | 14   | 132-3838    | 4    | Screw-HH           |
| 3    | 132-6959    | 6    | Balljoint           | 17   | 133-0308    | 1    | Bumper-Rubber      |
| 4    | 120-3225    | 6    | Ring-Retaining, EXT | 18   | 133-0315    | 1    | Screw-Shoulder, HF |
| 5    | 117-6674    | 1    | Plate-Striker       | 19   | 104-8300    | 4    | Nut-HF, NI         |
| 6    | 3269-28     | 2    | Rivet-Pop           | 20   | 120-3216    | 1    | Steering Head ASM  |
| 7    | 117-6755    | 1    | Stop-Steering       | 20:2 | 125-5239    | 4    | Bushing-Flange     |
| 8    | 114-7728    | 5    | Screw-HF            | 20:3 | 131-1836    | 1    | Grommet            |
| 9    | 112-5647    | 6    | Clamp               | 23   | 140-5232    | 1    | C-Balance Mount    |
| 10   | 132-3837    | 8    | Screw-HHF           | 24   | 114-9306    | 3    | Spring             |
| 11   | 139-6452    | 1    | A-Arm, Upper        | 25   | 140-5234    | 1    | Tensioner          |
| 12   | 139-8407    | 1    | Plate-Lift          | 28   | 104-7201    | 1    | Nut-HF, NI         |



## Suspension Crossarm Assembly

| <i>Ref.</i> | <i>Part Number</i> | <i>Qty.</i> | <i>Description</i>  |
|-------------|--------------------|-------------|---------------------|
| 1           | 120-3217           | 1           | Crossarm            |
| 2           | 125-5239           | 4           | Bushing-Flange      |
| 3           | 117-6654           | 4           | Link                |
| 4           | 3296-59            | 4           | Nut-Lock, NI        |
| 5           | 117-9482           | 1           | Mount-Cross Arm, LH |
| 6           | 117-9492           | 1           | Mount-Cross Arm, RH |
| 7           | 114-8051           | 2           | Pin-Pivot           |
| 8           | 114-8047           | 2           | Lever               |
| 9           | 114-8048           | 2           | Spring              |
| 10          | 114-8049           | 2           | Pin-Pivot           |
| 11          | 120-3227           | 8           | Screw-HSH           |
| 12          | 120-2784-01        | 2           | Horn-Basket         |
| 13          | 114-7728           | 4           | Screw-HF            |



# Attachments and Accessories

## For 04580 Greensmaster eTriFlex 3360 Traction Unit

| <b>Product Name</b>                 | <b>Model/Part</b> |
|-------------------------------------|-------------------|
| Turf Evaluator .....                | 04399             |
| Light Kit.....                      | 04500             |
| 3WD Kit, Electric Triflex .....     | 04503             |
| Standard Greensmower Seat Kit ..... | 04508             |
| 8-Blade DPA Reel Mower .....        | 04651             |
| 11-Blade DPA Reel Mower .....       | 04653             |
| 14-Blade DPA Reel Mower .....       | 04655             |
| Anti-Bobbing Kit.....               | 04716             |
| Dethatching Unit .....              | 04720             |
| Tri-Roller .....                    | 04722             |
| Spiker .....                        | 04723             |
| Premium Seat.....                   | 04729             |
| Wireless Hourmeter .....            | 115-4754          |
| Oil Filter .....                    | 119-5852          |
| Premium Armrest Kit.....            | 119-7105          |
| Weight Kit .....                    | 119-7129          |
| Air Filter Element .....            | 120-7447          |
| Filter-Air, Paper.....              | 120-7448          |
| Armrest Kit.....                    | 121-3660          |
| Fuel Filter.....                    | 121-4570          |
| Rear Light Kit.....                 | 137-7945          |
| Spark Arrestor, 1.25 I.D. ....      | 137-8098          |
| Bag Kit.....                        | 137-8130          |
| Bimini Shade Kit .....              | 138-8579          |
| Kit-Fuses .....                     | 139-8482          |
| Tire - 20 X 10.00-8, 4ply.....      | 144-3665          |
| 400 Hour MVP Kit .....              | 44971             |
| Spark Plug .....                    | 92-2153           |
| Height-of-Cut Bar.....              | 94-9010           |

**Notes:**

**Notes:**



**Count on it.**