



Mid-Size Weight Kit
Proline Mid-Size Mowers
 Part No. 106-5491

Installation Instructions

Installing the Mid-Size Weight Kit on 36 inch Mowers

1. Secure the weight to **front** of the carrier frame with 2 capscrews, washers and nuts (Fig. 1).

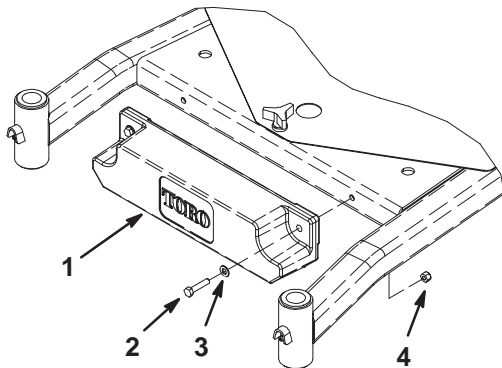


Figure 1

- | | |
|-------------------------------------|-----------|
| 1. Weight mounted in front position | 3. Washer |
| 2. Capscrew | 4. Nut |

Note: The use of a Tru-Trak[®] Sulky on a 36 inch mower is **not** recommended.

Installing the Mid-Size Weight Kit on 44 inch Mowers

1. Secure the weight to **front** of the carrier frame with 2 capscrews, washers and nuts when a Tru-Trak[®] Sulky is installed (Fig. 1).
2. Securing the weight to **rear** of frame with 2 capscrews, washers and nuts is **optional** when a Tru-Trak[®] Sulky is not installed (Fig. 2).

Note: Installing this weight kit on 44 inch mowers can improve performance on slopes without the Tru-Trak[®] Sulky.

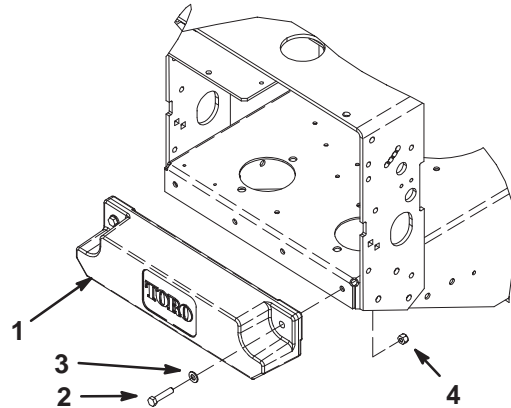


Figure 2

- | | |
|------------------------------------|-----------|
| 1. Weight mounted in rear position | 3. Washer |
| 2. Capscrew | 4. Nut |

Installing the Mid-Size Weight Kit on 52 inch Mowers

1. Secure weight to **rear** of frame with 2 capscrews, washers and nuts (Fig. 2).

Note: The weight mounted in the **rear** position is **recommended**, except when a Tru-Trak[®] Sulky is installed. The weight mounted in the back position, must be removed when the when a Tru-Trak[®] Sulky is installed.

Warning

With the weight installed in the rear position, the front end of the machine can rapidly raise up when the mower is removed. This could cause serious injury to you or bystanders.

- **Support the rear of the machine when removing the mower from the carrier frame.**