

Twin Bagger

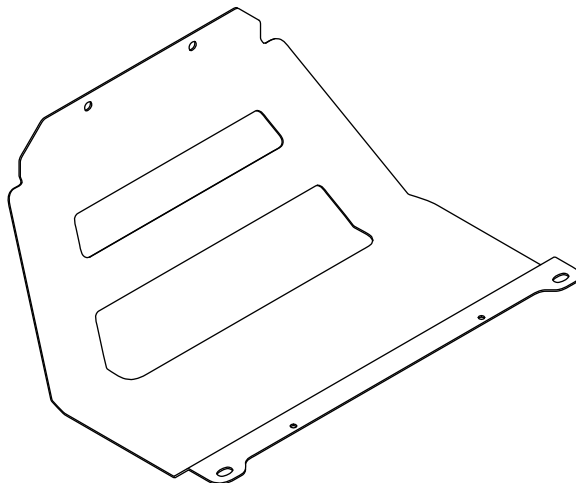
50in, 54in, or 60in Zero-Turn-Radius Riding Mower

Model No. 79501—Serial No. 400000000 and Up

Model No. 79601—Serial No. 400000000 and Up

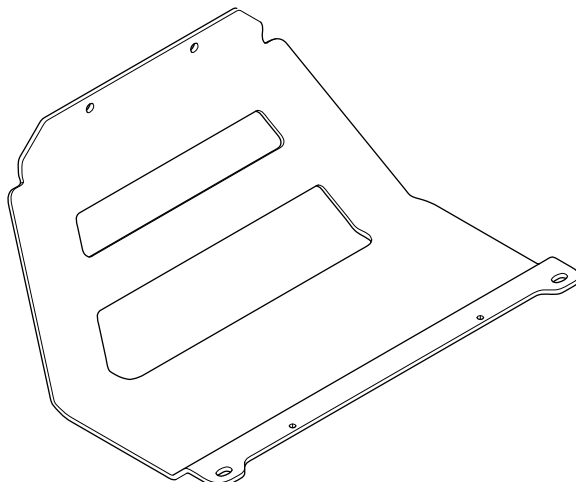
Addendum

If you are installing the Twin Bagger Kit (Model 79501/79601) on a Zero-Turn-Radius Riding Mower, replace the machine muffler guard (0.06 inch) with the muffler guard (0.18 inch) included in the bagger kit.



Machine Muffler Guard

g491258



Kit Muffler Guard

g491257

