



**Count on it.**

**Parts Catalog**

**TX 1000 Turbo  
Narrow Track Compact Tool Carrier**

Model No. 22587—Serial No. 416800000 and Up



# Ordering Replacement Parts

To order replacement parts, please supply the part number, the quantity, and the description of each part desired.

## Understanding Reference Numbers

Each identified part in an illustration has a reference number. The reference number for a part also appears in the parts list, along with other information about the part.

This catalog uses two special reference number formats, one to indicate parts in a service assembly and another to indicate the quantity of a given part in an illustration.

## Service Assembly Reference Numbers

Parts in service assemblies have reference numbers in the form a:b. The a represents the reference number of the entire service assembly and the b represents a sequential number unique to each part within the service assembly.

For example, a wheel assembly might be identified by reference number 6, the tire by 6:1, the valve by 6:2, and the wheel by 6:3. When you order the assembly identified by reference number 6, you receive all parts identified by reference numbers 6:1, 6:2, and 6:3. However, you may also order any part individually. Reference numbers of this type appear in illustration and in parts lists.

## Reference Numbers Indicating Quantity

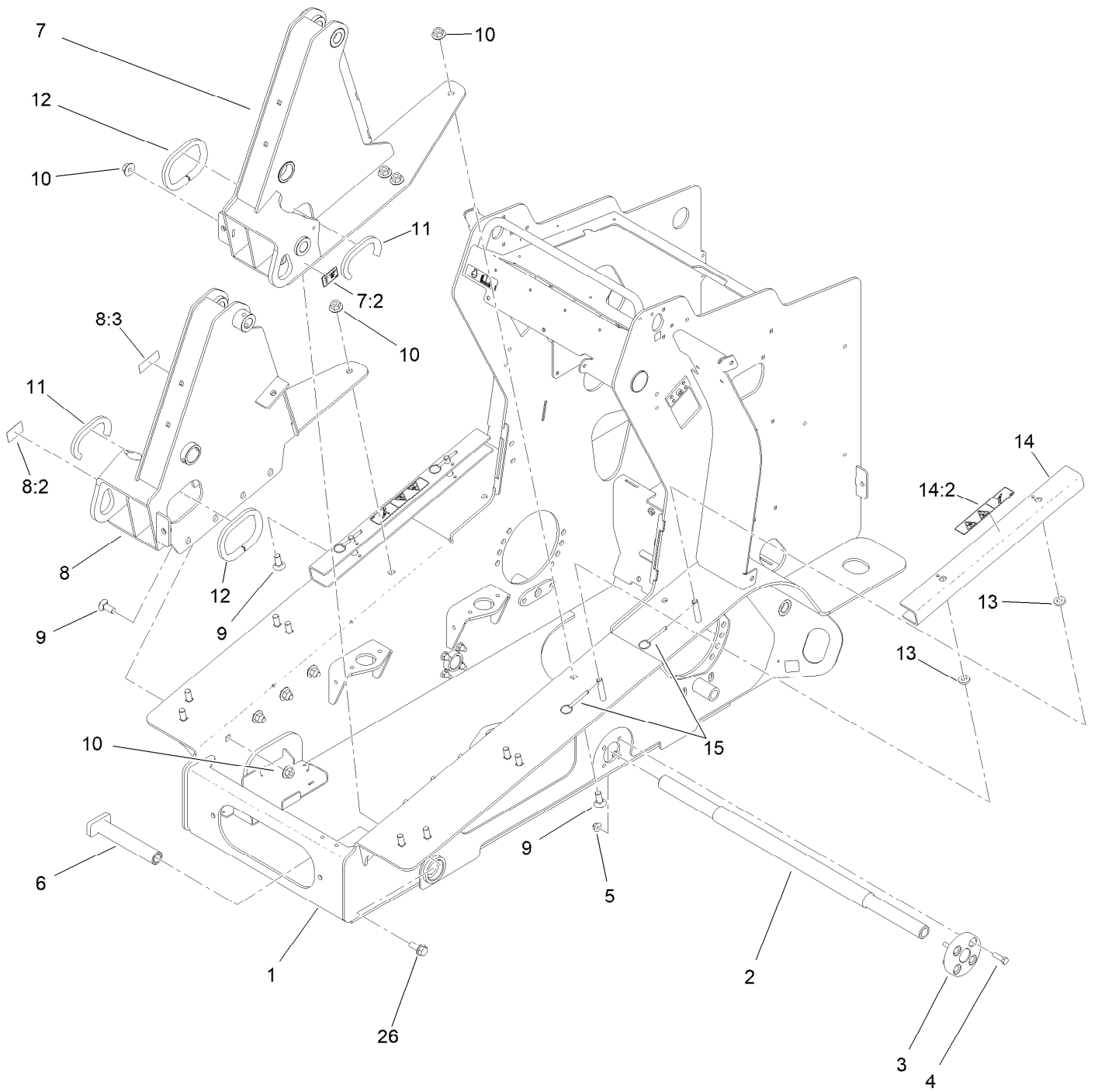
In an illustration, if a reference number indicates more than one part, the reference number has the form nX y. The n represents the quantity of the part, the X is the multiplication symbol, and the y represents the reference number.

For example, in an illustration, the reference number 2X 37 means that two of the parts identified by reference number 37 are indicated.

# Contents

Frame Assembly	4
Main Frame Assembly No. 145-4421	6
Track Assembly	8
LH Track Assembly No. 139-7294	10
RH Track Assembly No. 139-7293	12
Engine and Muffler Assembly	14
Air Cleaner Assembly No. 147-6793	16
Fuel System Assembly	18
Fuel Tank Assembly No. 145-4466	20
Cooling System Assembly	22
Principal Hydraulics Assembly	24
Controls Assembly	26
Control Valve Assembly No. 145-3279	28
Loader Arm Assembly	30
Loader Arm Assembly No. 145-4307	32
Attachment Plate Assembly No. 140-6017	34
Hydraulic Cylinder Assembly No. 140-7634	36
Hydraulic Cylinder Assembly No. 145-4446	38
Platform Assembly	40
Hood and Covers Assembly	42
Electrical Assembly	44
Main Wire Harness Assembly No. 122-2549	46
Traction Hydraulics Assembly	48
Hydraulic Tank Assembly No. 145-4467	50
Parking Brake Assembly	52
Attachments and Accessories	54

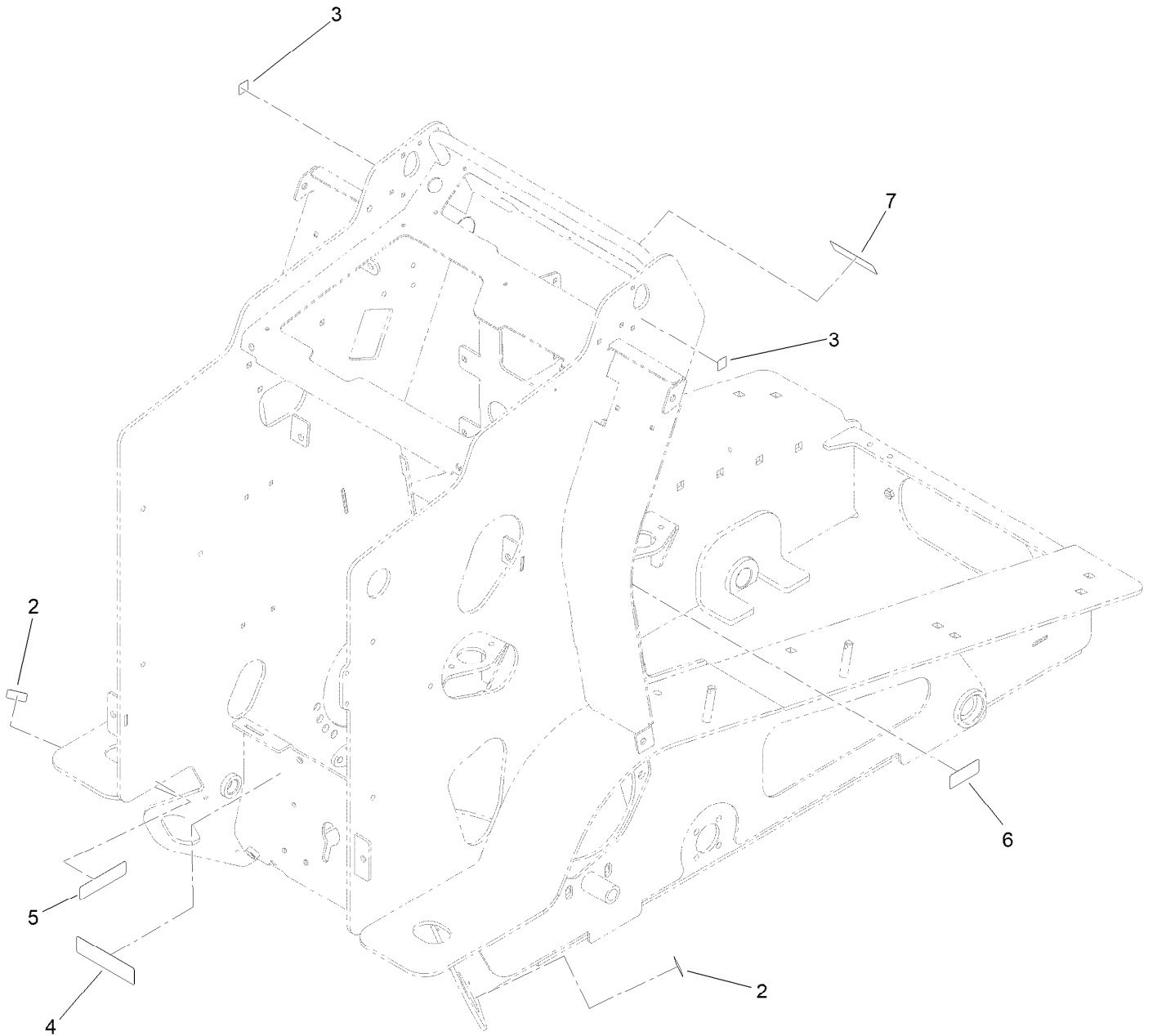
# Frame Assembly



## Frame Assembly (continued)

<i>Ref.</i>	<i>Part Number</i>	<i>Qty.</i>	<i>Description</i>	<i>Ref.</i>	<i>Part Number</i>	<i>Qty.</i>	<i>Description</i>
1	145-4421	1	Main Frame ASM	8:3	115-2047	1	Decal-Surface, Hot
2	125-0425	1	Shaft-Track	9	3233-1	16	Screw-CARR
3	132-9074	2	Hub-Shaft	10	32128-52	18	Nut-Lock, Flange
4	323-44	8	Screw-HH	11	133-8571	2	Trim-Seal
5	104-8301	8	Nut-HF, NI	12	133-8572	2	Trim-Seal
6	145-3322	2	Pin-Track	13	83-1470	4	Washer-Neoprene
7	145-4471	1	Tower ASM-LH	14	130-5315	2	Arm-Locking
7:2	147-6707	1	Decal-Lift, Tie Down	14:2	115-4858	1	Decal-Danger
8	145-4472	1	Tower ASM-RH	15	108-0094	4	Pin-Cotterless
8:2	147-6707	1	Decal-Lift, Tie Down	26	3234-38	2	Screw-HHF

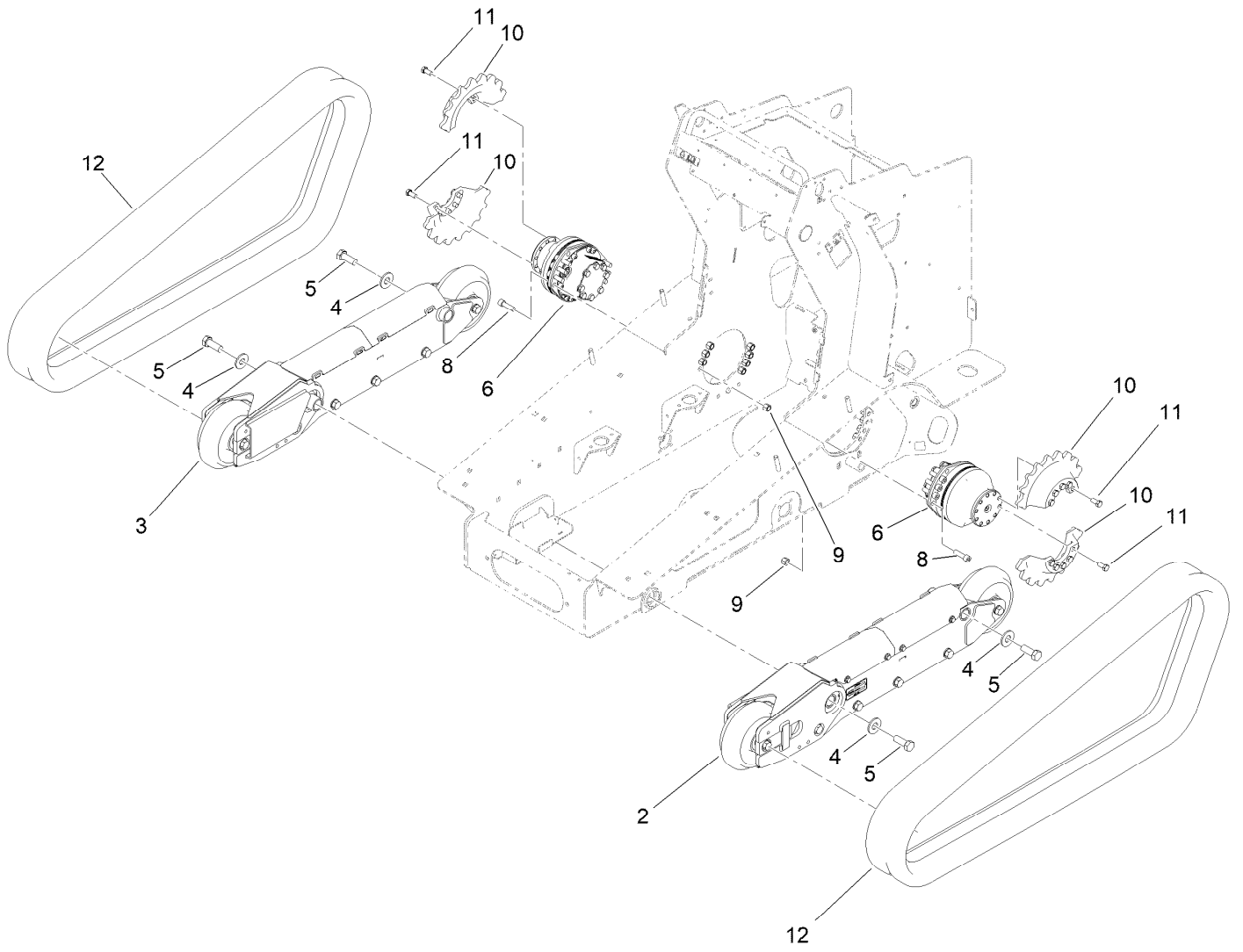
# Main Frame Assembly No. 145-4421



## Main Frame Assembly No. 145-4421 (continued)

<i>Ref.</i>	<i>Part Number</i>	<i>Qty.</i>	<i>Description</i>	<i>Ref.</i>	<i>Part Number</i>	<i>Qty.</i>	<i>Description</i>
2	132-9051	2	Decal-Tiedown	5	133-8062	1	Decal-Spark Arrestor
3	93-9084	2	Decal-Point, Lift	6	115-2047	1	Decal-Surface, Hot
4	131-0709	1	Decal-Parking Brake	7	115-4865	1	Decal-Fill, Radiator

# Track Assembly

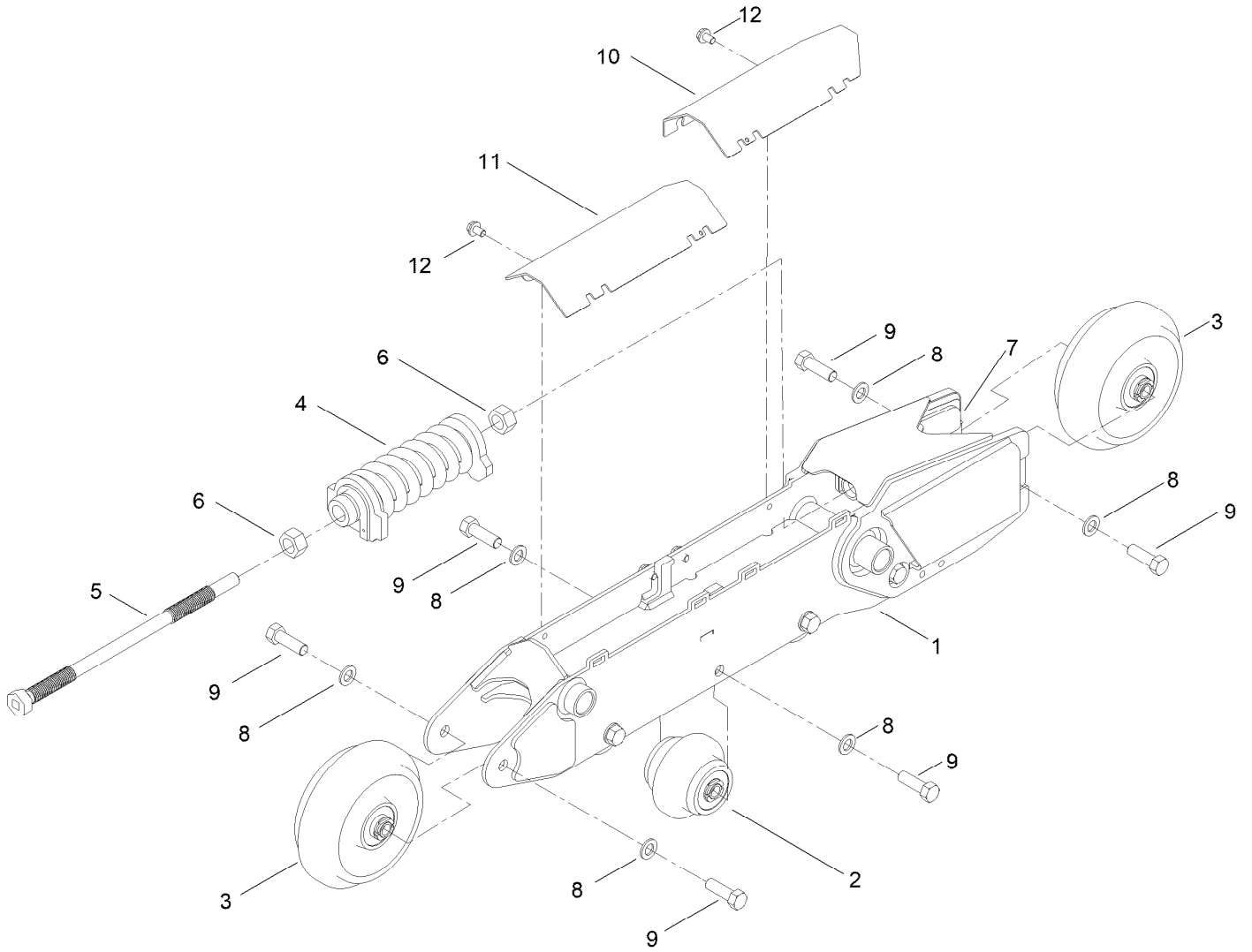




## Track Assembly (continued)

<i>Ref.</i>	<i>Part Number</i>	<i>Qty.</i>	<i>Description</i>	<i>Ref.</i>	<i>Part Number</i>	<i>Qty.</i>	<i>Description</i>
2	139-7294	1	Track ASM-LH	8	131-0661	16	Screw-HSH
3	139-7293	1	Track ASM-RH	9	3296-23	16	Nut-Lock, NI
4	99-2659	4	Washer	10	145-4463	4	Sprocket-Drive, Nt
5	AU426-1236	4	Screw-HH	11	33116-025	20	Screw-HH
6	145-4545	2	Wheelmotor ASM	12	138-0804	2	Track-Narrow

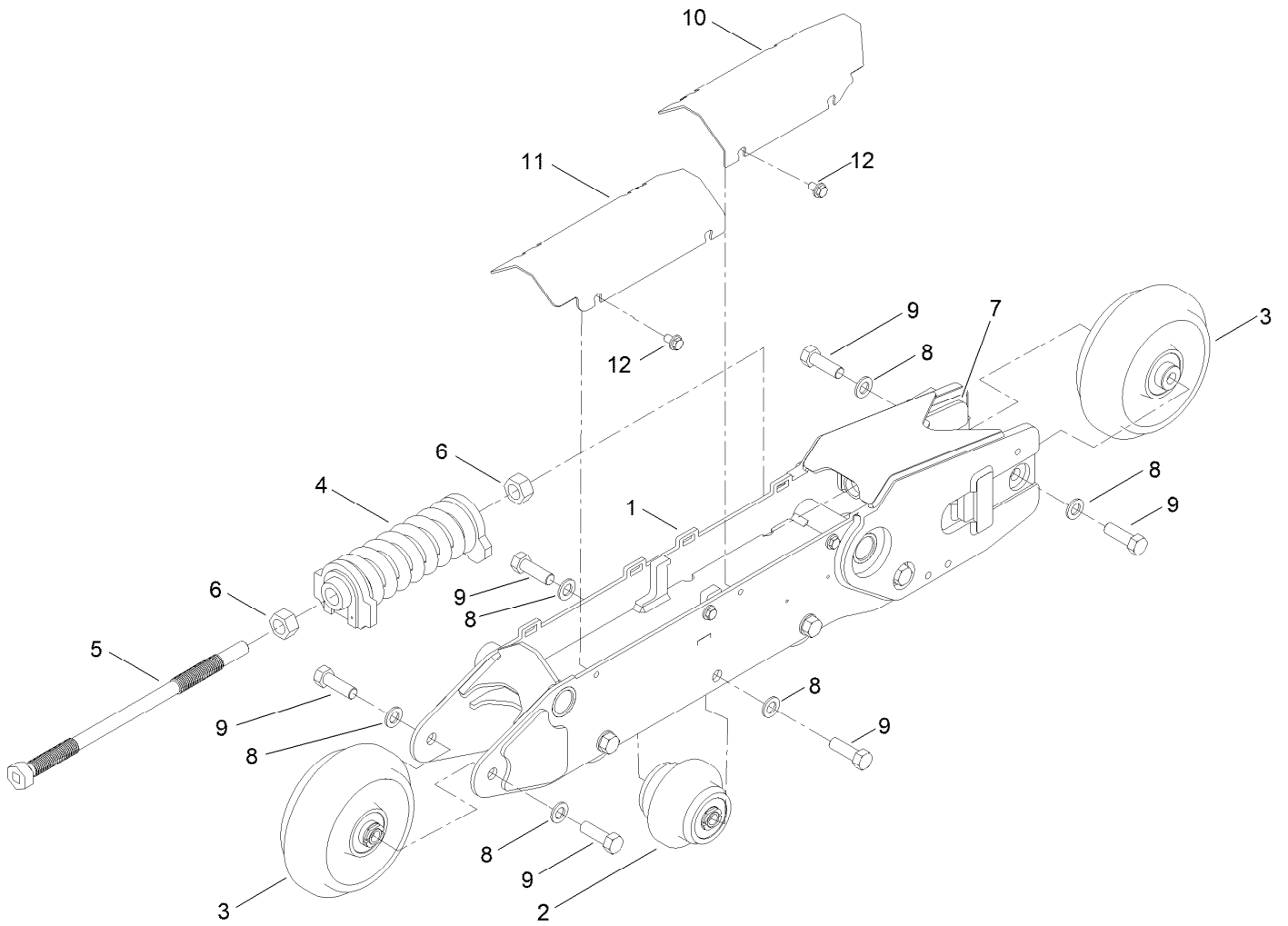
# LH Track Assembly No. 139-7294



# LH Track Assembly No. 139-7294 (continued)

<i>Ref.</i>	<i>Part Number</i>	<i>Qty.</i>	<i>Description</i>	<i>Ref.</i>	<i>Part Number</i>	<i>Qty.</i>	<i>Description</i>
1	139-7303	1	Frame-Track LH	7	139-7301	1	Yoke-Tensioner
2	137-8808	4	Wheel ASM,	8	139-7310	12	Washer
3	137-8807	2	Tensioner Wheel ASM	9	111-3484	12	Screw-HH
4	140-5872	1	Kit-Spring Tension	10	139-7304	1	Plate-Cover LH
5	139-7298	1	Screw-Tensioner	11	139-7305	1	Plate-Cover LH
6	3217-15	2	Nut-Hex	12	63-11-019	4	Screw-HHF

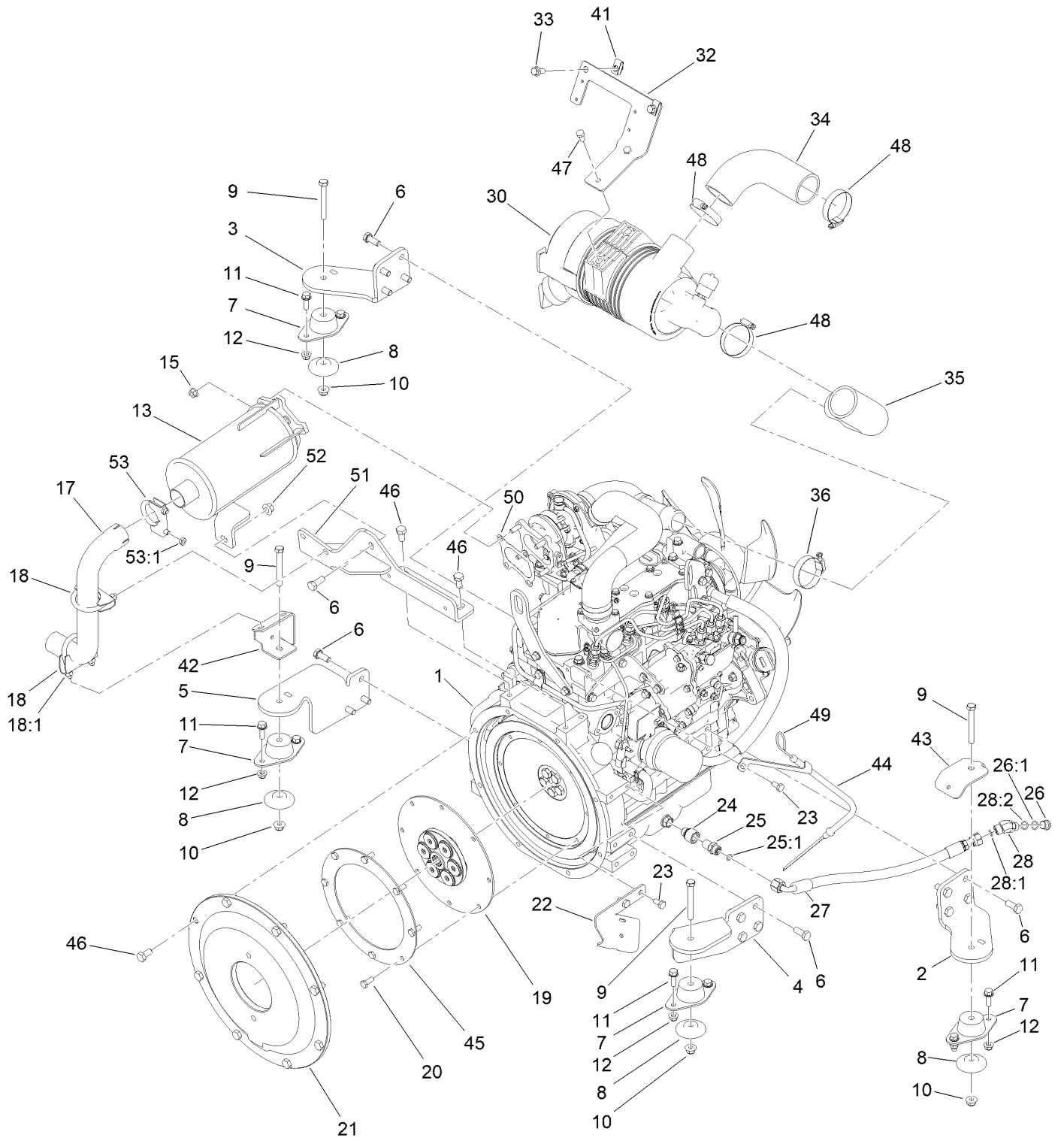
# RH Track Assembly No. 139-7293



## RH Track Assembly No. 139-7293 (continued)

<i>Ref.</i>	<i>Part Number</i>	<i>Qty.</i>	<i>Description</i>	<i>Ref.</i>	<i>Part Number</i>	<i>Qty.</i>	<i>Description</i>
1	139-7292	1	Frame-Track RH	7	139-7301	1	Yoke-Tensioner
2	137-8808	4	Wheel ASM,	8	139-7310	12	Washer
3	137-8807	2	Tensioner Wheel ASM	9	111-3484	12	Screw-HH
4	140-5872	1	Kit-Spring Tension	10	139-7311	1	Plate-Cover RH
5	139-7298	1	Screw-Tensioner	11	139-7312	1	Plate-Cover RH
6	3217-15	2	Nut-Hex	12	63-11-019	4	Screw-HHF

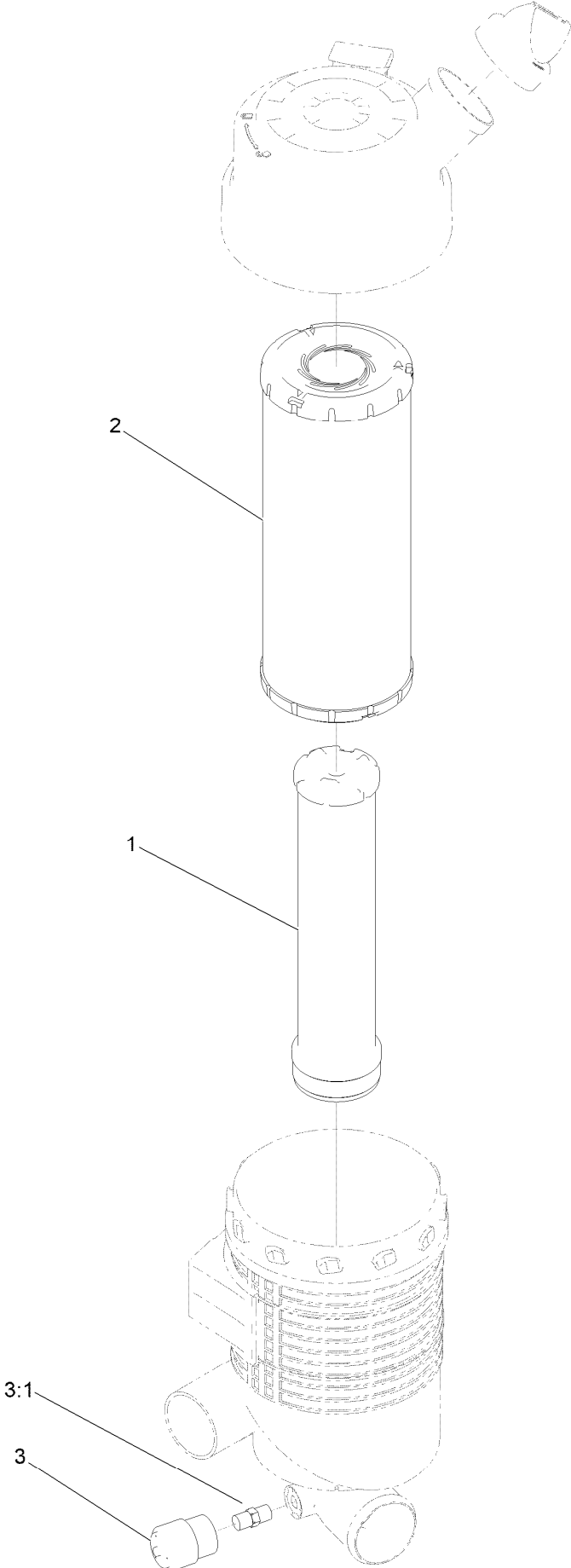
# Engine and Muffler Assembly



## Engine and Muffler Assembly (continued)

<i>Ref.</i>	<i>Part Number</i>	<i>Qty.</i>	<i>Description</i>	<i>Ref.</i>	<i>Part Number</i>	<i>Qty.</i>	<i>Description</i>
1	145-4547	1	Engine-Yanmar, 3Tnv80Ft-Zmtr2	26	353-989	1	Plug-Hex, Hollow
2	144-4417-03	1	Mount-Engine, LH, Rear	26:1	237-42	1	O-Ring
3	144-4418-03	1	Mount-Engine, RH, Rear	27	140-5968	1	HYD Hose ASM
4	144-4419-03	1	Mount-Engine, LH, Front	28	340-87	1	Fitting-Elbow, 45 DEG
5	144-4420-03	1	Mount-Engine, RH, Front	28:1	237-22	1	O-Ring
6	33115-025	16	Screw-HH	28:2	237-42	1	O-Ring
7	120-6274	4	Mount-Engine	30	147-6793	1	Air Cleaner ASM
8	138-6462	4	Support-Isolator	32	147-6788-0P	1	Bracket-Air Cleaner
9	323-14	4	Screw-HH	33	3234-47	2	Screw-HHF
10	104-8301	4	Nut-HF, NI	34	147-6786	1	Hose-Intake
11	3234-29	8	Screw-HHF	35	147-6787	1	Hose-Intake
12	104-8300	8	Nut-HF, NI	36	2412-92	1	Clamp-Hose
13	147-6859	1	Muffler ASM	41	115-7721	2	Nut-Clip, U
15	33004-00	4	Nut-HF	42	147-6866-0P	1	Bracket-Tailpipe, Foot
17	147-6865	1	Pipe-Exhaust	43	147-6759-0P	2	Bracket-Hose Guide
18	2112-6	2	Clamp-Muffler	44	147-6768	1	Dipstick
18:1	3218-2	2	Nut-Hex Jam	45	147-6791	1	Ring-Flywheel
19	126-6531	1	Coupler-Flywheel	46	33115-020	10	Screw-HH
20	33114-020	8	Screw-HH	47	139-9940	2	Screw-HH
21	145-3210-0P	1	Cover-Flywheel	48	2412-130	3	Clamp-Hose
22	145-4305-0P	1	Bracket-Guide, Hose	49	147-6785	1	Dipstick
23	33114-010	3	Screw-HH	50	147-6795	1	Gasket-Exhaust
24	139-2218	1	Adaptor-STR	51	147-6867-0P	1	Bracket-Muffler
25	340-12	1	Fitting-Straight	52	136-8683	1	Nut-Lock
25:1	237-22	1	O-Ring	53	2112-9	1	Clamp
				53:1	32128-20	2	Nut-HF

# Air Cleaner Assembly No. 147-6793



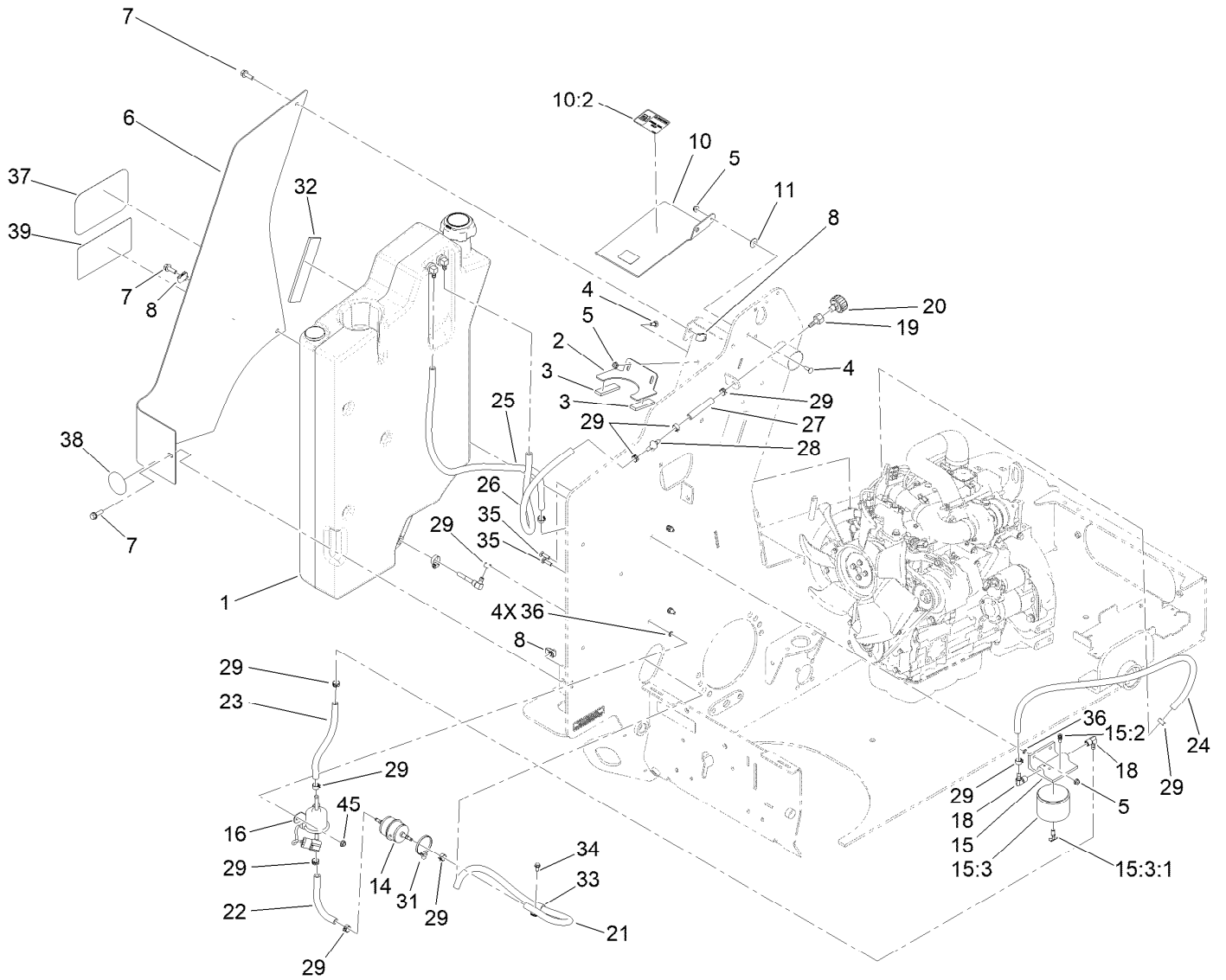


## Air Cleaner Assembly No. 147-6793 (continued)

<i>Ref.</i>	<i>Part Number</i>	<i>Qty.</i>	<i>Description</i>
1	114-4057	1	Element-Safety
2	147-6812	1	Filter-Air

<i>Ref.</i>	<i>Part Number</i>	<i>Qty.</i>	<i>Description</i>
3	104-3563	1	Indicator
3:1	94-1416	1	Adapter-Indicator

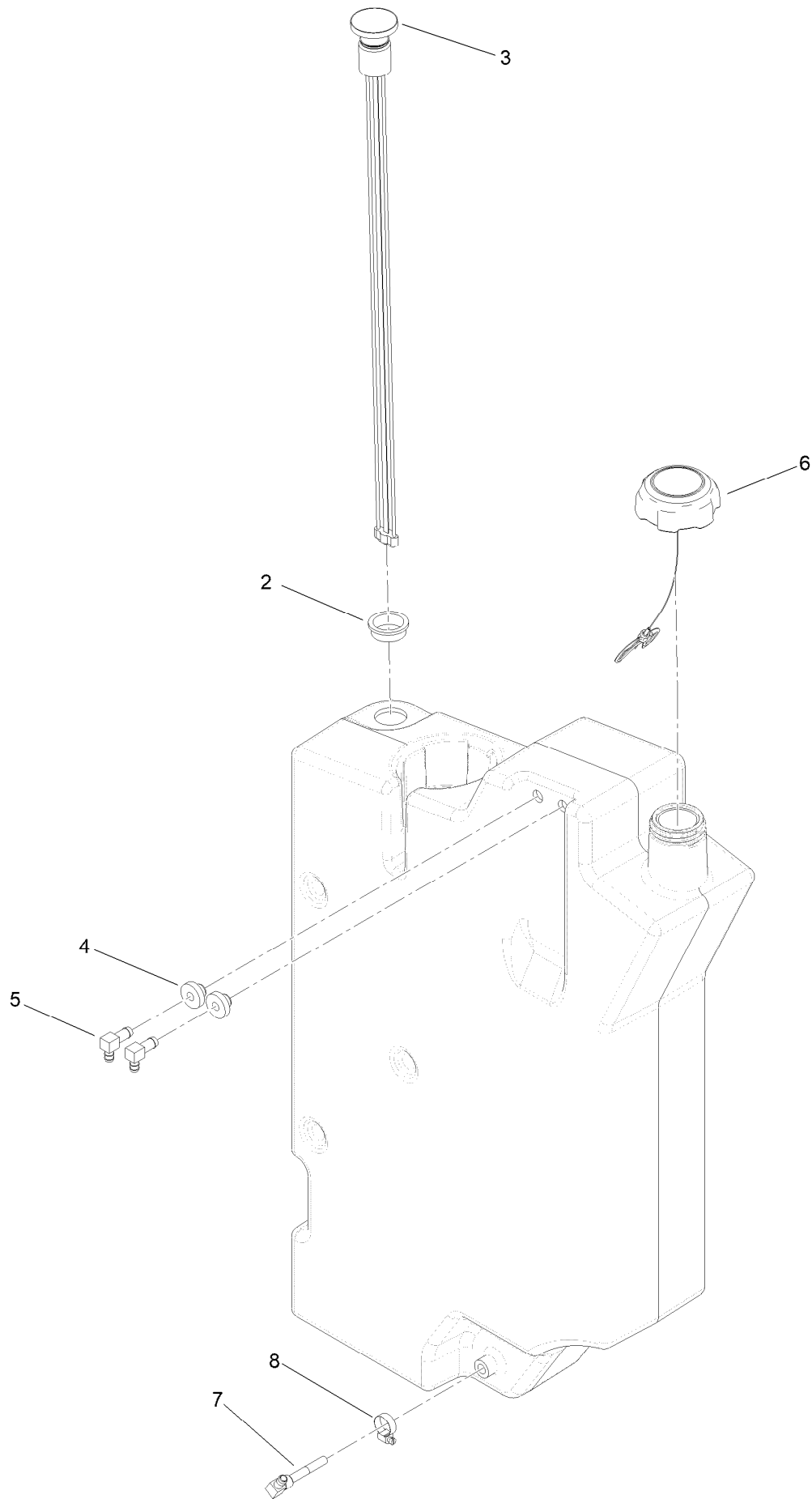
# Fuel System Assembly



## Fuel System Assembly (continued)

<i>Ref.</i>	<i>Part Number</i>	<i>Qty.</i>	<i>Description</i>	<i>Ref.</i>	<i>Part Number</i>	<i>Qty.</i>	<i>Description</i>
1	145-4466	1	Tank ASM-Fuel	20	68-6150	1	Breather
2	145-4429-03	1	Bracket-Tank, Hold Down	21	110-4112	1	Hose-Fuel
3	145-4430	2	Pad-Foam	22	117-4026	1	Hose-Fuel
4	3229-1	3	Screw-CARR	23	136-6098	1	Hose-Fuel
5	104-7201	5	Nut-HF, NI	24	110-9662	1	Hose-Fuel
6	145-4474	1	Tank Cover ASM-Fuel	25	109-0309	1	Hose-Fuel
7	3234-29	3	Screw-HHF	26	110-6187	1	Hose-Fuel
8	115-7721	3	Nut-Clip, U	27	112-6388	1	Hose-Fuel
10	145-4473	1	Tank Bracket ASM-Fuel	28	99-5000	1	Valve-Check, Fuel
10:2	130-2845	1	Decal-Ultra Low Sulfur Diesel	29	92-2379	14	Clamp-Hose
11	3290-456	1	Washer-Belleville	31	32180-118	1	Clip-Tie
14	108-3828	1	Filter-Fuel	32	112-2401	1	Pad-Rubber
15	109-2678	1	Filter ASM	33	92-6064	1	Clamp-R
15:2	63-8290	1	Vent-Air	34	32144-4	1	Screw-HWH
15:3	63-8300	1	Element-Spin On	35	3229-2	4	Screw-CARR
15:3:1	63-8310	1	Valve-Drain	36	1-803037	6	Nut-Retaining
16	144-4447	1	Pump-Fuel	37	145-0609	1	Decal-Toro Logo
18	353-781	2	Fitting-HYD, 90	38	139-1937	1	Reflector-Red
19	354-95	1	Fitting-Straight	39	147-6708	1	Decal-Tx1000 Turbo
				45	32128-33	2	Nut-HF

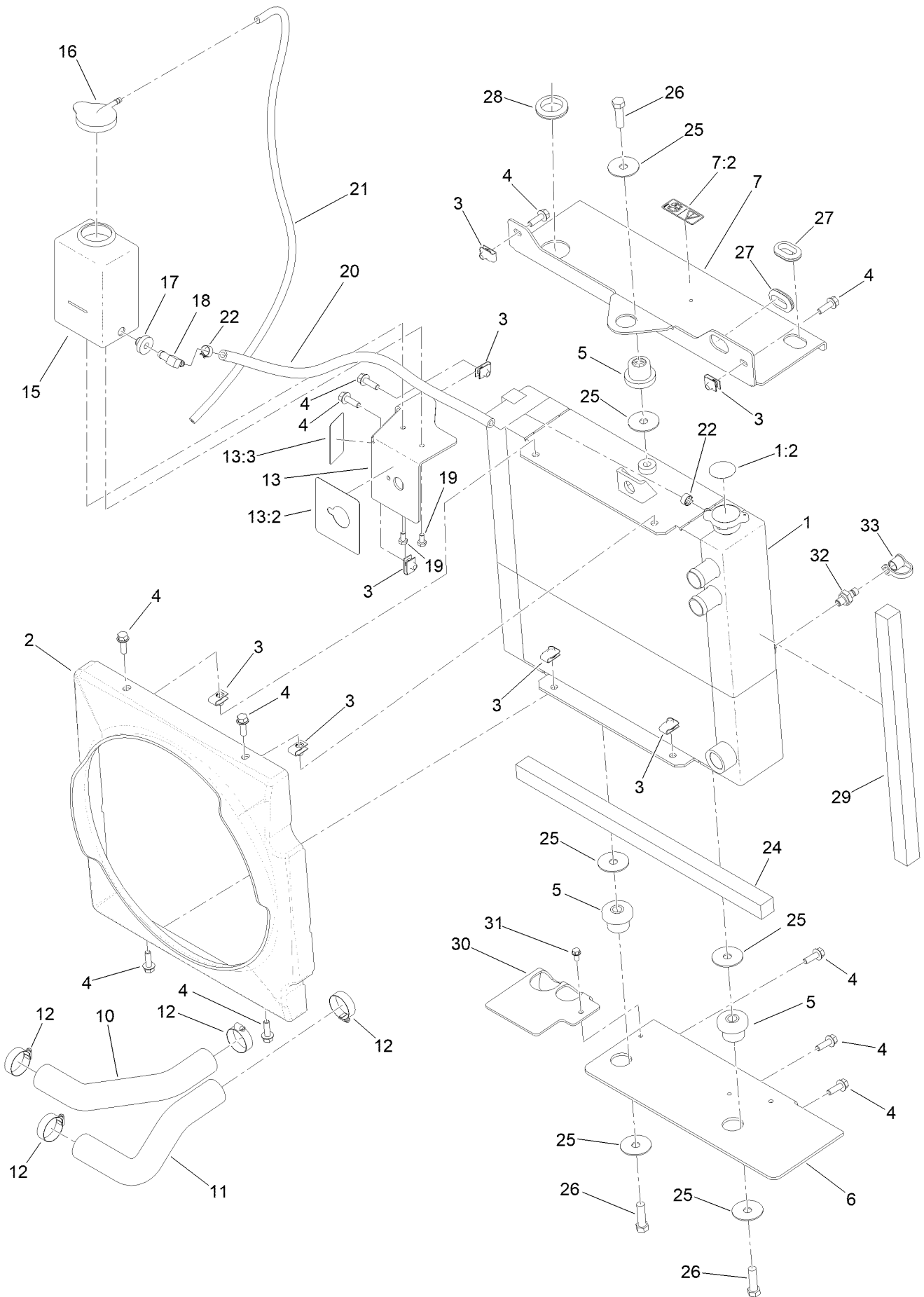
# Fuel Tank Assembly No. 145-4466



## Fuel Tank Assembly No. 145-4466 (continued)

<i>Ref.</i>	<i>Part Number</i>	<i>Qty.</i>	<i>Description</i>	<i>Ref.</i>	<i>Part Number</i>	<i>Qty.</i>	<i>Description</i>
2	95-8972	1	Grommet	6	144-4373	1	Cap-Diesel
3	133-6992	1	Gauge-Level, Fuel	7	115-4518	1	Pipe-Stand
4	46-6560	2	Bushing	8	2412-36	1	Clamp-Hose
5	46-6550	2	Fitting-Elbow, 90 DEG				

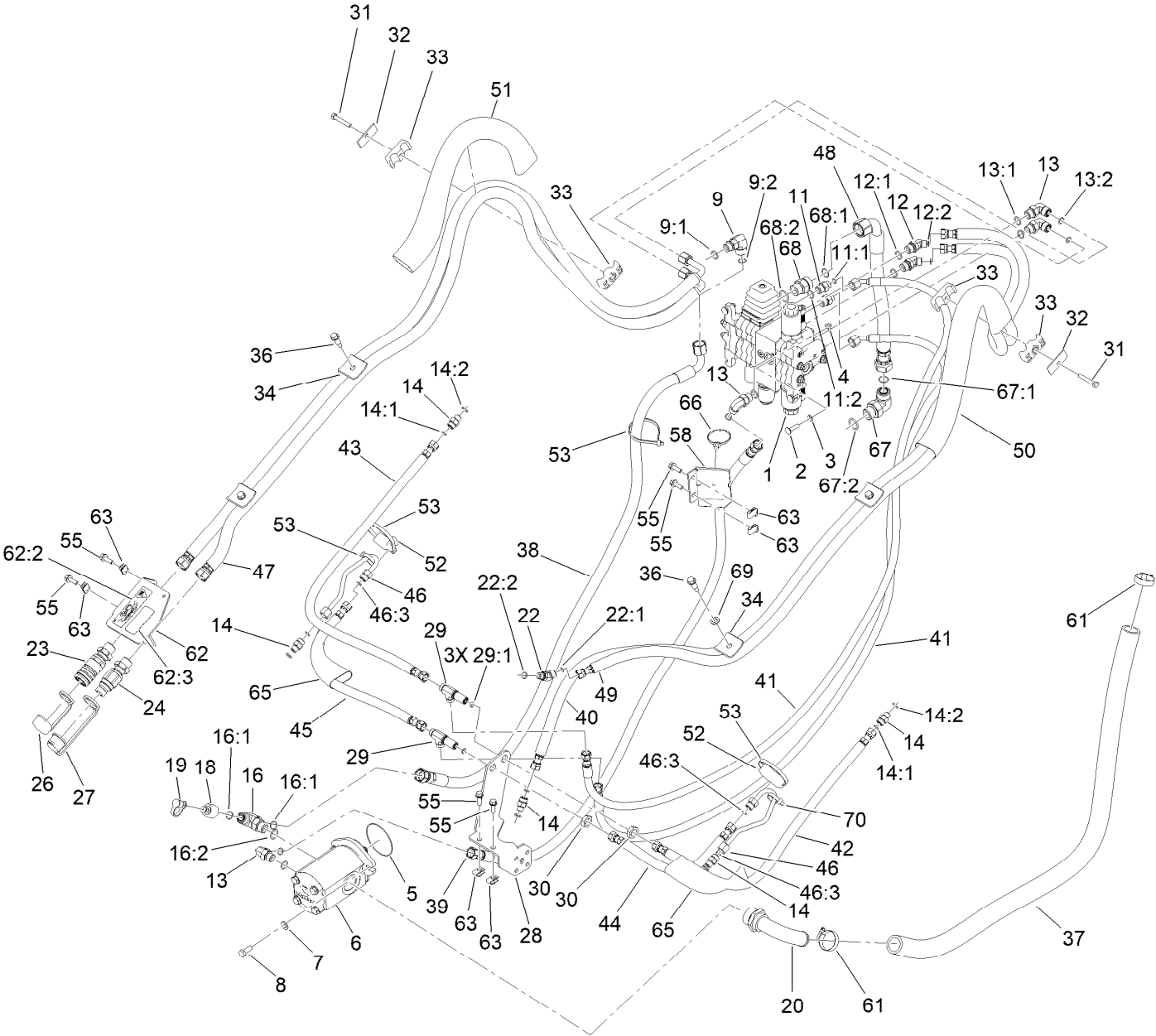
# Cooling System Assembly



## Cooling System Assembly (continued)

<i>Ref.</i>	<i>Part Number</i>	<i>Qty.</i>	<i>Description</i>	<i>Ref.</i>	<i>Part Number</i>	<i>Qty.</i>	<i>Description</i>
1	147-6714	1	Cooler ASM	16	1-643164	1	Cap-Tank, Overflow
1:2	106-6755	1	Decal-Cap, Radiator	17	46-6560	1	Bushing
2	144-4423	1	Shroud-Cooler	18	46-6550	1	Fitting-Elbow, 90 DEG
3	115-7721	8	Nut-Clip, U	19	321-2	2	Screw-HH
4	3234-29	11	Screw-HHF	20	108-3284	1	Hose-Fuel
5	119-1422	3	Mount-Isolator	21	108-6344	1	Hose-Fuel
6	145-4521-03	1	Plate-Mount, Cooler	22	92-2379	2	Clamp-Hose
7	147-6701	1	Bracket-Cooler	24	145-4549	2	Foam-Radiator
7:2	115-2047	1	Decal-Surface, Hot	25	147-6703	6	Washer
10	145-4527	1	Hose-Radiator, Upper	26	324-6	3	Screw-HH
11	145-4528	1	Hose-Radiator, Lower	27	240-5	2	Grommet
12	2412-34	4	Clamp-Hose	28	240-3	1	Grommet-Rubber
13	145-4475	1	Bottle Bracket ASM-Radiator	29	147-6700	2	Foam-Radiator
13:2	131-8026	1	Decal-Battery Disconnect	30	147-6732	1	Baffle-Air
13:3	147-6709	1	Decal-Warning, Fan	31	32144-4	1	Screw-HWH
15	1-643163	1	Tank-Overflow	32	99-4443	1	Fitting
				33	354-79	1	Cap-Dust

# Principal Hydraulics Assembly

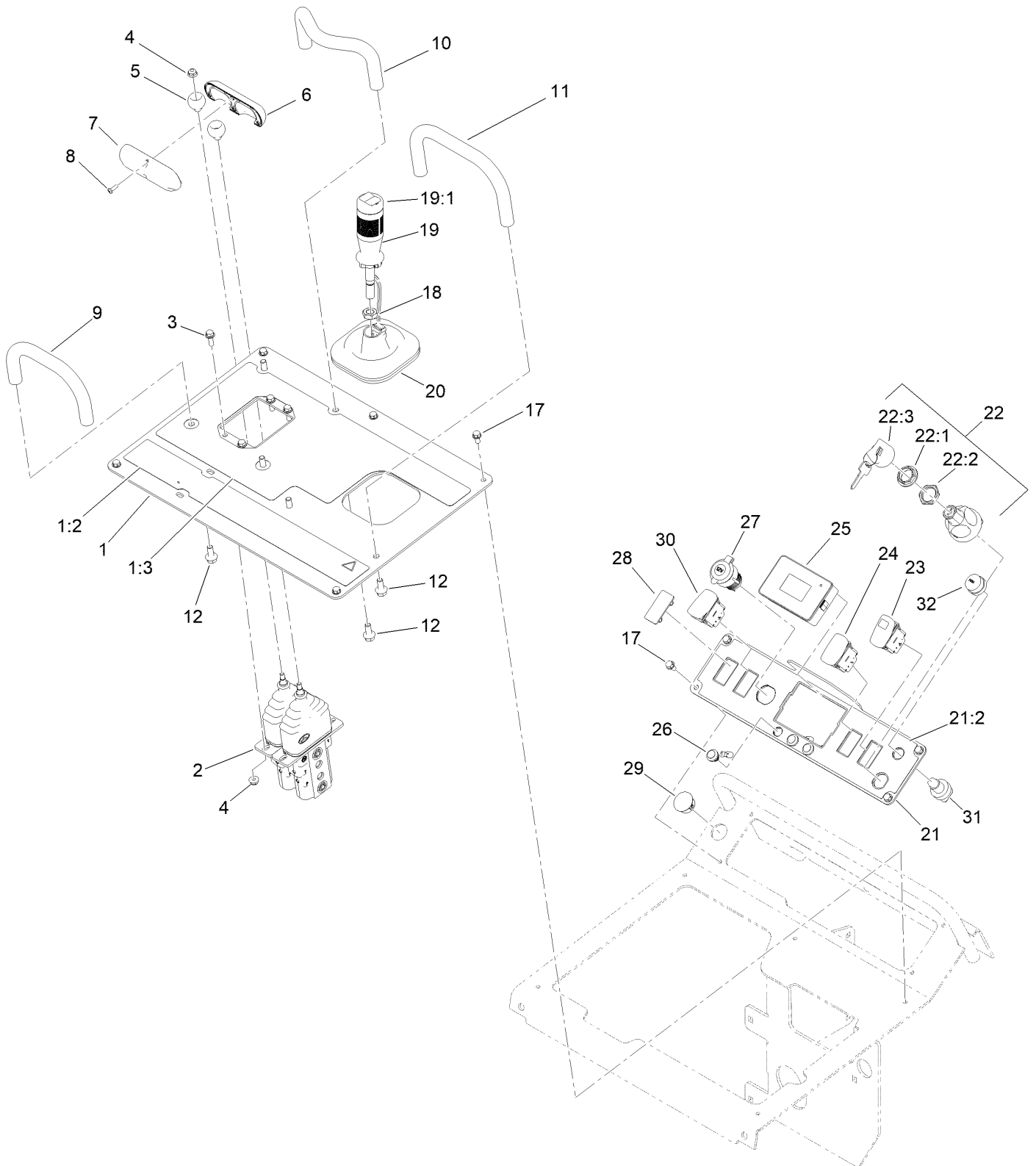




## Principal Hydraulics Assembly (continued)

<i>Ref.</i>	<i>Part Number</i>	<i>Qty.</i>	<i>Description</i>	<i>Ref.</i>	<i>Part Number</i>	<i>Qty.</i>	<i>Description</i>
1	147-6885	1	Valve-Loader	31	322-11	2	Screw-HH
2	3230-3	3	Screw-CARR	32	69-9761	2	Plate-Cover
3	109-5667	3	Nut-Push	33	94-8105	4	Clamp-Tube
4	104-8300	3	Nut-HF, NI	34	145-4534	4	Plate-Hold Down
5	353-949	1	O-Ring	36	140-3759	4	Bolt-Shoulder,HHF
6	145-4384	1	Pump-Gear	37	145-4383	1	HYD Hose
7	33095-00	2	Washer-Flat	38	145-4376	1	HYD Hose ASM
8	33115-025	2	Screw-HH	39	145-4370	1	HYD Hose ASM
9	340-153	1	Fitting-Elbow, 90 DEG	40	145-4371	1	HYD Hose ASM
9:1	237-79	1	O-Ring	41	145-4372	2	HYD Hose ASM
9:2	237-151	1	O-Ring	42	145-4361	1	HYD Hose ASM
11	340-3	2	Fitting-Straight	43	145-4362	1	HYD Hose ASM
11:1	237-22	1	O-Ring	44	145-4363	1	HYD Hose ASM
11:2	237-79	1	O-Ring	45	145-4364	1	HYD Hose ASM
12	340-138	2	Fitting-HYD, 45 DEG	46	140-5724	2	Tube-HYD
12:1	237-79	1	O-Ring	46:3	237-22	1	O-Ring
12:2	237-22	1	O-Ring	47	145-4375	2	HYD Hose ASM
13	340-98	4	Fitting-Elbow, 90 DEG	48	147-6702	1	HYD Hose ASM
13:1	237-79	1	O-Ring	49	145-4489	1	HYD Hose ASM
13:2	237-30	1	O-Ring	50	100-6128	1	Sleeve-Protective
14	340-2	5	Fitting-Straight	51	130-7718	1	Sleeve-Protective
14:1	237-22	1	O-Ring	52	137-0146	2	Block-Hardline
14:2	237-42	1	O-Ring	53	3334-945	3	Tie-Cable
16	340-93	1	Tee-Adapter	55	3234-29	6	Screw-HHF
16:1	237-65	2	O-Ring	58	145-4540-0P	1	Bracket-Guide, Hose
16:2	237-80	1	O-Ring	61	2412-3	2	Clamp-Hose
18	86-5860	1	Nipple	62	145-4478	1	Bracket ASM-Qc
19	354-79	1	Cap-Dust	62:2	115-4855	1	Decal-Caution
20	147-6805	1	Elbow-90DEG	62:3	139-1173	1	Decal-Warning
22	340-87	1	Fitting-Elbow, 45 DEG	63	115-7721	6	Nut-Clip, U
22:1	237-22	1	O-Ring	65	133-8568	2	Sleeve-Protective
22:2	237-42	1	O-Ring	66	32180-118	1	Clip-Tie
23	139-4798	1	Coupler ASM,Bulkhead,	67	340-142	1	Fitting-Elbow, 90 DEG
24	139-4799	1	Coupler ASM,Bulkhead,	67:1	237-58	1	O-Ring
26	100-8816	1	Cap-Dust, Coupler	67:2	237-81	1	O-Ring
27	100-8815	1	Cap-Dust, Nipple	68	340-9	1	Fitting-STR
28	145-4328-03	1	Bracket-Bulkhead	68:1	237-58	1	O-Ring
29	340-68	2	Fitting-Tee, Bulkhead	68:2	237-81	1	O-Ring
29:1	237-22	3	O-Ring	69	133-4553	2	Spacer-Bearing
30	340-70	2	Nut-Lock	70	3290-378	2	Tie-Cable

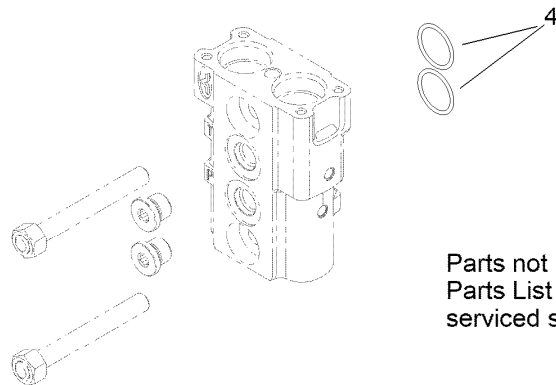
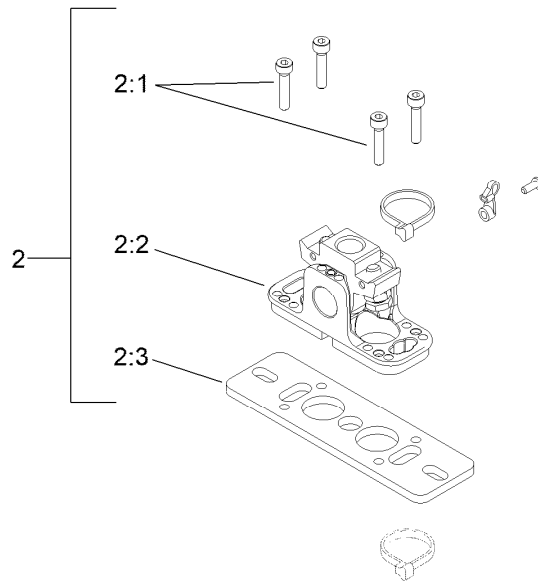
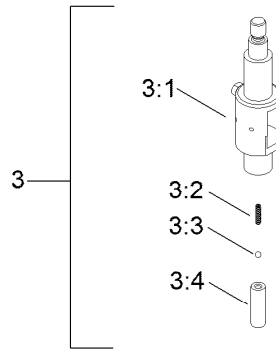
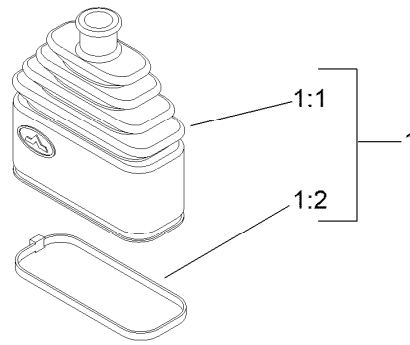
# Controls Assembly



## Controls Assembly (continued)

<i>Ref.</i>	<i>Part Number</i>	<i>Qty.</i>	<i>Description</i>	<i>Ref.</i>	<i>Part Number</i>	<i>Qty.</i>	<i>Description</i>
1	145-4479	1	Plate ASM-Controls	21	145-4480	1	Plate ASM-Console
1:2	147-6765	1	Decal-Safety	21:2	145-4484	1	Decal-Console
1:3	147-6883	1	Decal-Controls	22	121-5159	1	Switch-Ignition
2	145-3279	1	Valve-Control (Traction)	22:1	121-5160	1	Nut-Hex
3	115-5103	4	Screw-HHF	22:2	122-2704	1	Nut-Face, M22 (Plastic)
4	104-7201	6	Nut-HF, NI	22:3	121-5162	1	Set-Key, Ignition
5	130-7723	2	Ball-Traction	23	122-2719	1	Switch-Rocker, On-None-(On)
6	130-7692	1	Handle-Control	24	122-3203	1	Switch-Rocker,(On)-Off-(On)
7	131-9162	1	Handle-Traction	25	122-1201	1	Module-Display
8	94-6961	4	Screw	26	136-9678	3	Switch-Pushbutton
9	112-2620	1	Bar-Reference	27	109-9376	1	Receptacle-12V
10	138-0791	1	Bar-Reference	28	99-7420	1	Plug-Hole
11	145-4760	1	Bar-Reference	29	127-1842	1	Plug-Dome
12	3234-47	6	Screw-HHF	30	122-3145	1	Switch-Rocker, On - None - On
17	32144-4	9	Screw-HWH	31	112-3324	1	Switch-Horn
18	51-2070	1	Nut	32	112-3313	1	Nut-Weatherproof
19	140-5742	1	Handle-Auxiliary ASM				
19:1	147-6873	1	Boot-Switch, Joystick				
20	145-4746	1	Boot-Joystick				

# Control Valve Assembly No. 145-3279



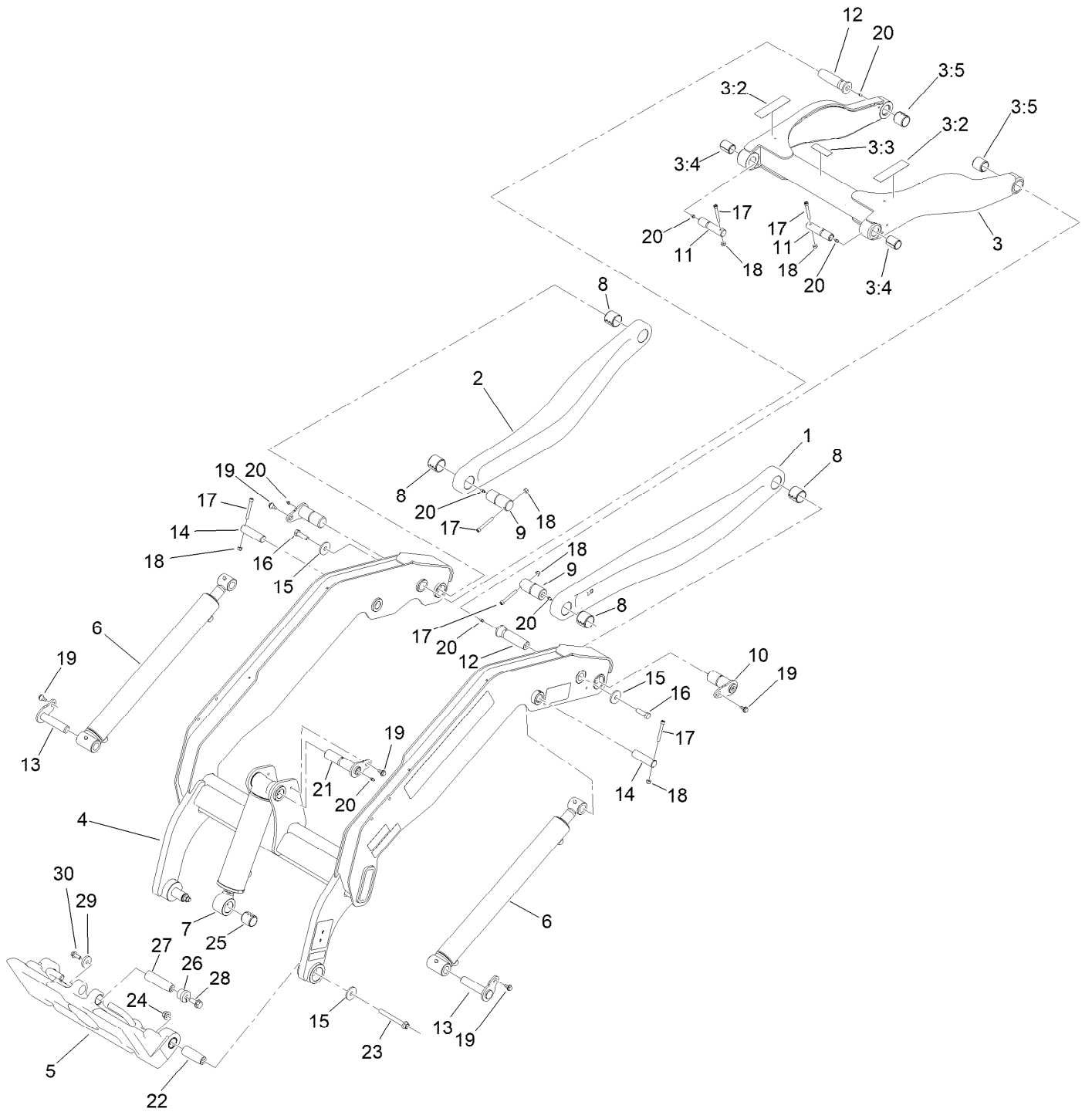
Parts not listed in  
Parts List are not  
serviced separately

# Control Valve Assembly No. 145-3279 (continued)

<i>Ref.</i>	<i>Part Number</i>	<i>Qty.</i>	<i>Description</i>	<i>Ref.</i>	<i>Part Number</i>	<i>Qty.</i>	<i>Description</i>
1	132-6034	2	Bellow Kit	3	132-6037	2	Switch Holder Lever Kit
1:1		1	Bellow-Rubber ●	3:1		1	Lever-Holder, Switch ●
1:2		1	Tie-Cable ●	3:2		1	Spring-Return ●
2	132-6036	2	Fulcrum Kit	3:3		1	Sphere ●
2:1		4	Screw ●	3:4		1	Holder-Spring ●
2:2		1	Support Kit ●	4	100-7246	2	O-Ring
2:3		1	Plate-Mounting ●				

● Not serviced separately

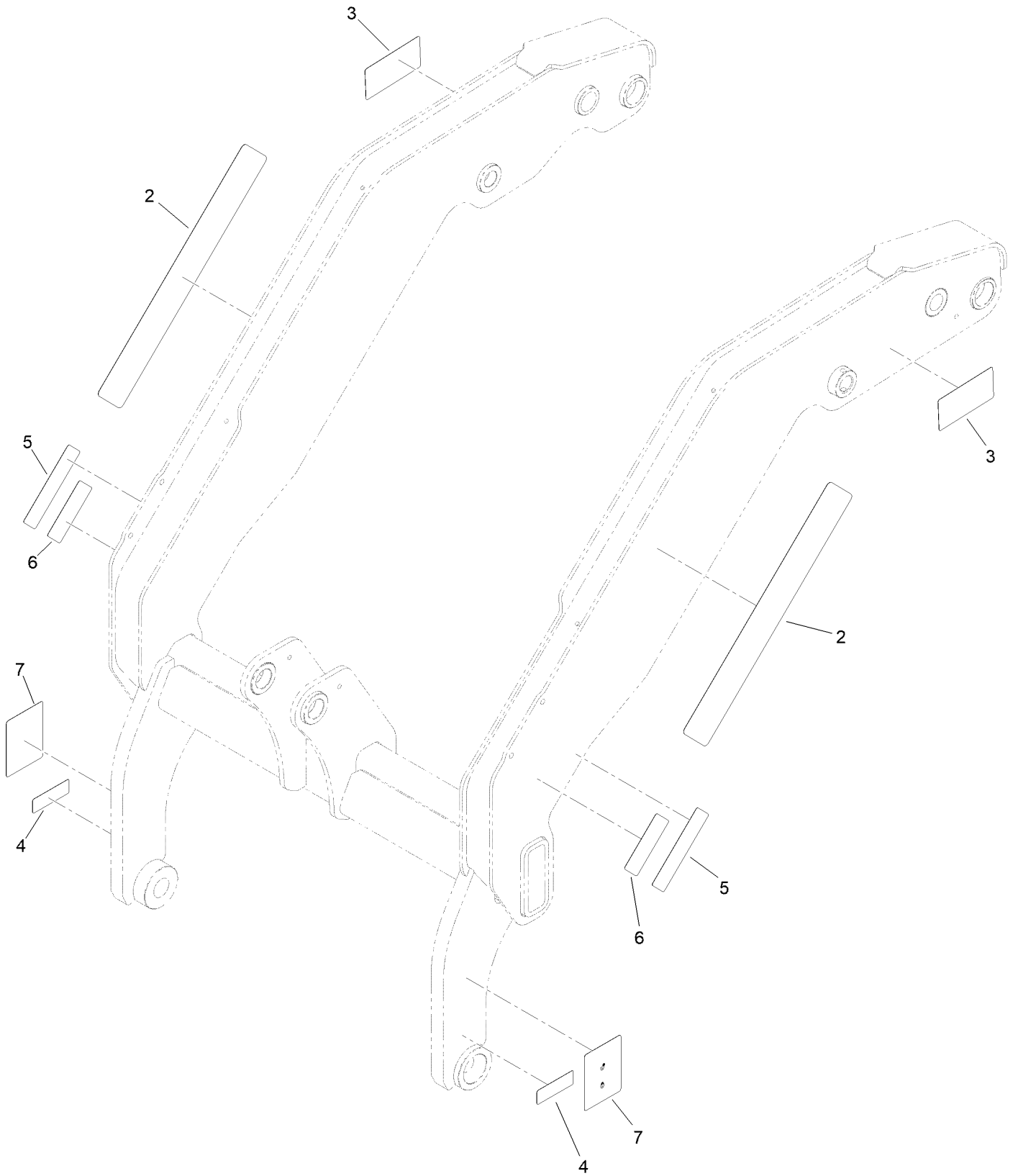
# Loader Arm Assembly



## Loader Arm Assembly (continued)

<i>Ref.</i>	<i>Part Number</i>	<i>Qty.</i>	<i>Description</i>	<i>Ref.</i>	<i>Part Number</i>	<i>Qty.</i>	<i>Description</i>
1	147-6797-05	1	Link-Lower, LH [blk-Txt]	14	130-5178	2	Pin-Pivot
2	147-6799-05	1	Link-Lower, RH [blk-Txt]	15	106-2008	4	Washer-Thrust
3	145-4314	1	Upper Link ASM-Loader	16	121-1524	2	Screw-HH
3:2	139-1158	2	Decal-Warning	17	3274-40	6	Screw-HSH
3:3	120-0625	1	Decal-Warning	18	3296-29	6	Nut-Lock, NI
3:4	130-5200	2	Bushing-Spring	19	99-5105	5	Screw-Shoulder
3:5	139-5737	2	Bushing-Spring	20	302-5	9	Fitting-Grease
4	145-4307	1	Loader Arm ASM-Wt	21	137-0134	1	Flag Pin ASM
5	140-6017	1	Attachment Plate ASM	22	140-6019	2	Pin-Link, Taper
6	140-7634	2	Cylinder HYD (2.25X20.16 Double Action)	23	117-3176	2	Screw-HHF
7	145-4446	1	CYL-HYD	24	99-5107	2	Nut-Lock
8	130-5199	4	Bushing-Spring	25	139-5737	1	Bushing-Spring
9	125-3748	2	Pin-Arm	26	181-1002	1	Insert-Tapered
10	136-4708	2	Pin-Pivot	27	140-6076	1	Pin-Tapered
11	125-3695	2	Pin-Link	28	137-4653	1	Screw-HHF
12	145-4312	2	Pin-Taper	29	1-543610	1	Washer-Flat
13	147-6705	2	Pin-Flag	30	3234-42	1	Screw-HHF

# Loader Arm Assembly No. 145-4307

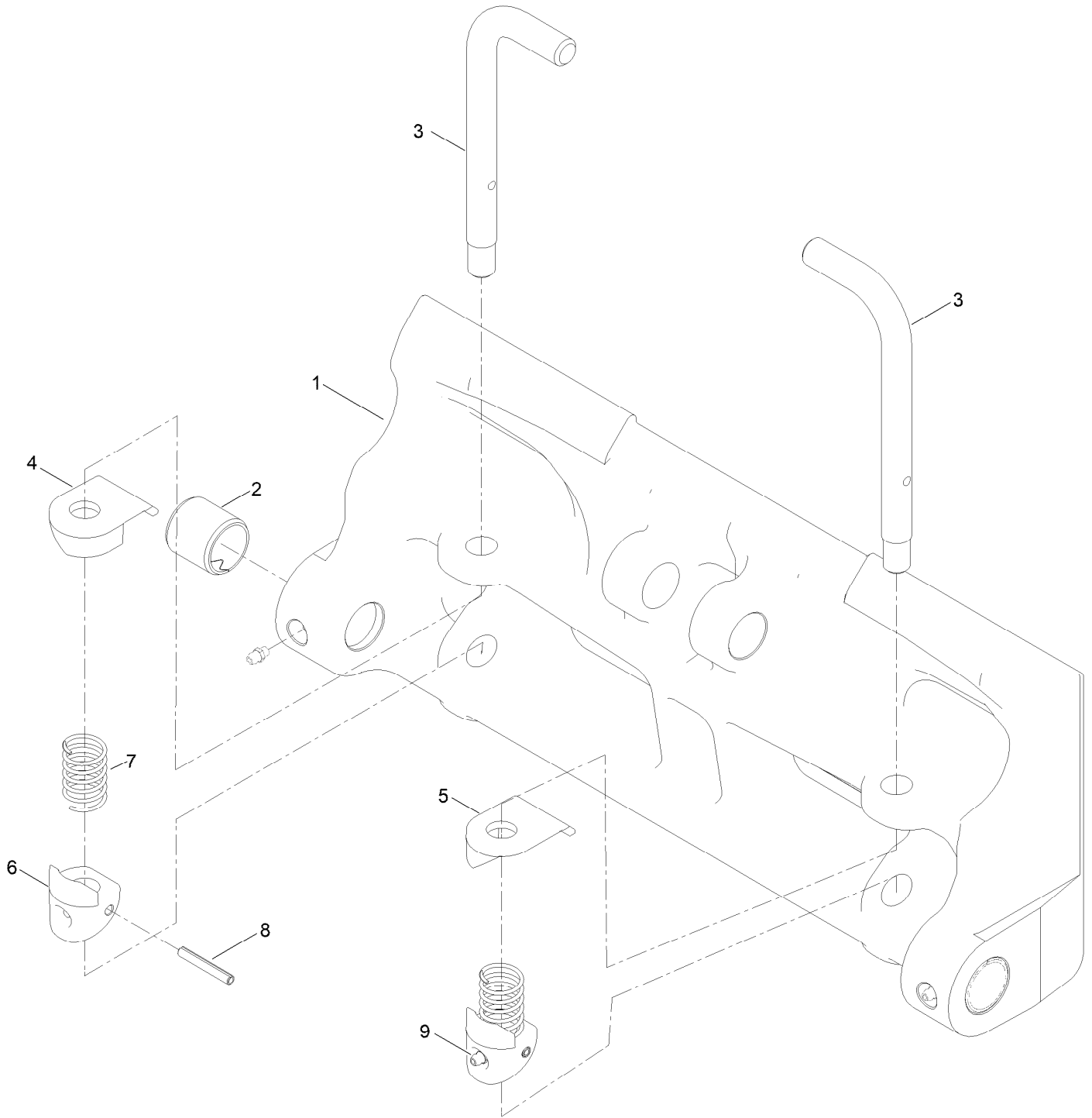




## Loader Arm Assembly No. 145-4307 (continued)

<i>Ref.</i>	<i>Part Number</i>	<i>Qty.</i>	<i>Description</i>	<i>Ref.</i>	<i>Part Number</i>	<i>Qty.</i>	<i>Description</i>
2	147-6794	2	Decal-Vertical Lift	5	139-1158	2	Decal-Warning
3	131-0711	2	Decal-Warning	6	139-1159	2	Decal-Warning
4	120-0625	2	Decal-Warning	7	145-3252	2	Decal - Warning, Bucket

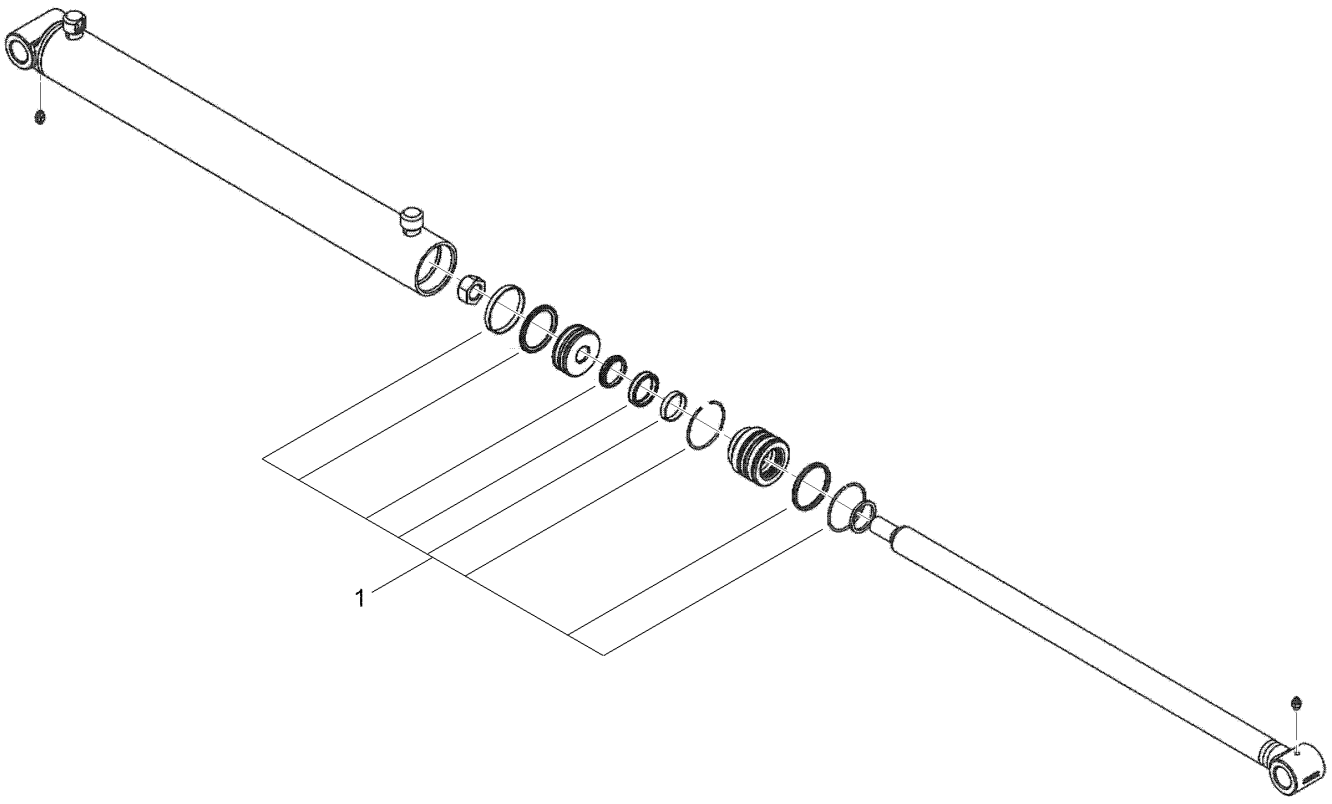
# Attachment Plate Assembly No. 140-6017



# Attachment Plate Assembly No. 140-6017 (continued)

<i>Ref.</i>	<i>Part Number</i>	<i>Qty.</i>	<i>Description</i>	<i>Ref.</i>	<i>Part Number</i>	<i>Qty.</i>	<i>Description</i>
1	140-5992	1	Qtach	6	140-5981	2	Cam-Qtach
2	139-5737	2	Bushing-Spring	7	100-9782	2	Spring-Compression
3	163-1160	2	Pin-Locking	8	32121-32	2	Pin-Roll
4	140-5983	1	Stop-Pin, LH	9	302-5	4	Fitting-Grease
5	140-5991	1	Stop-Pin, RH				

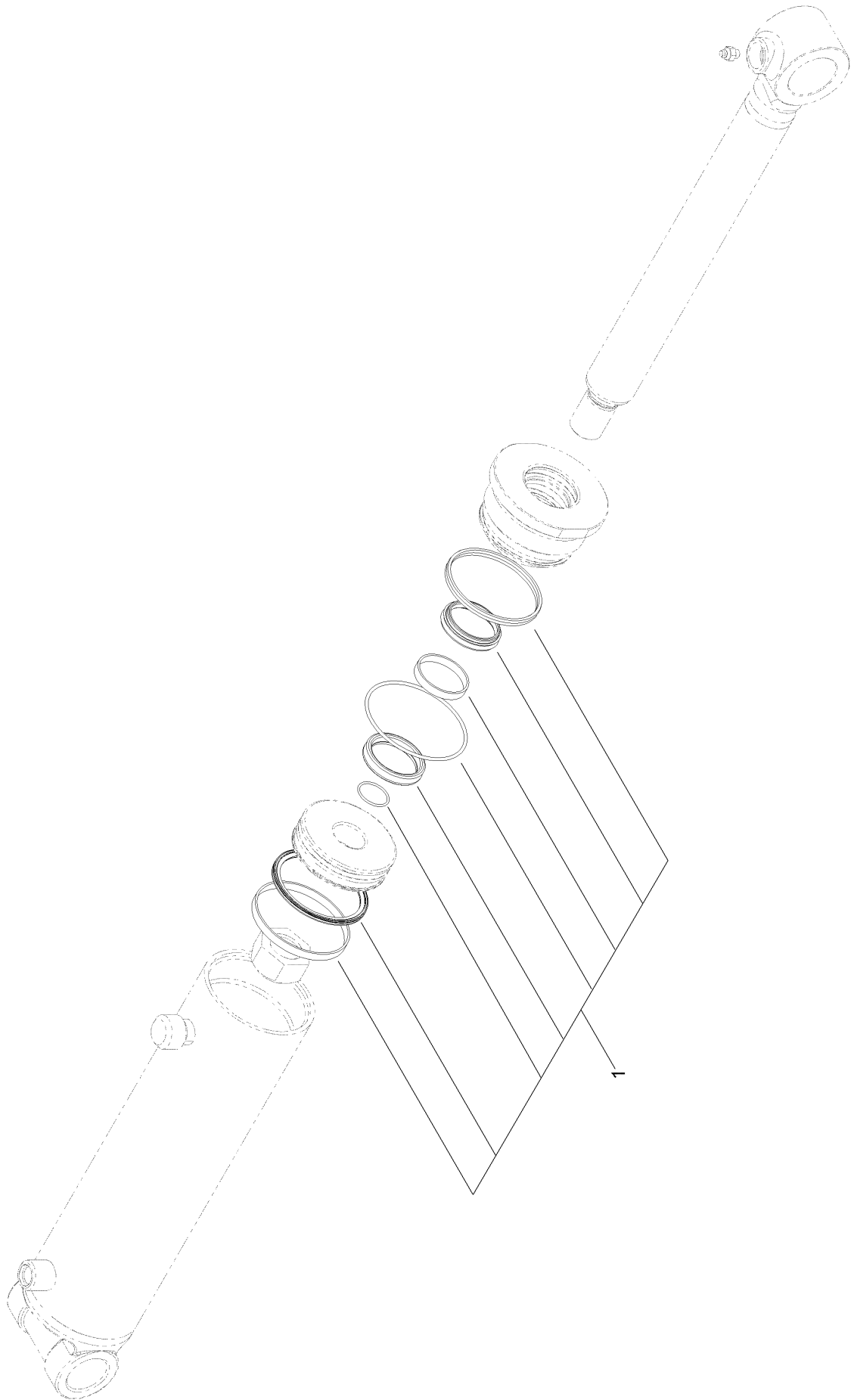
# Hydraulic Cylinder Assembly No. 140-7634



# Hydraulic Cylinder Assembly No. 140-7634 (continued)

<i>Ref.</i>	<i>Part Number</i>	<i>Qty.</i>	<i>Description</i>
1	140-5309	1	Kit-Seal, Hydraulic CYL

# Hydraulic Cylinder Assembly No. 145-4446



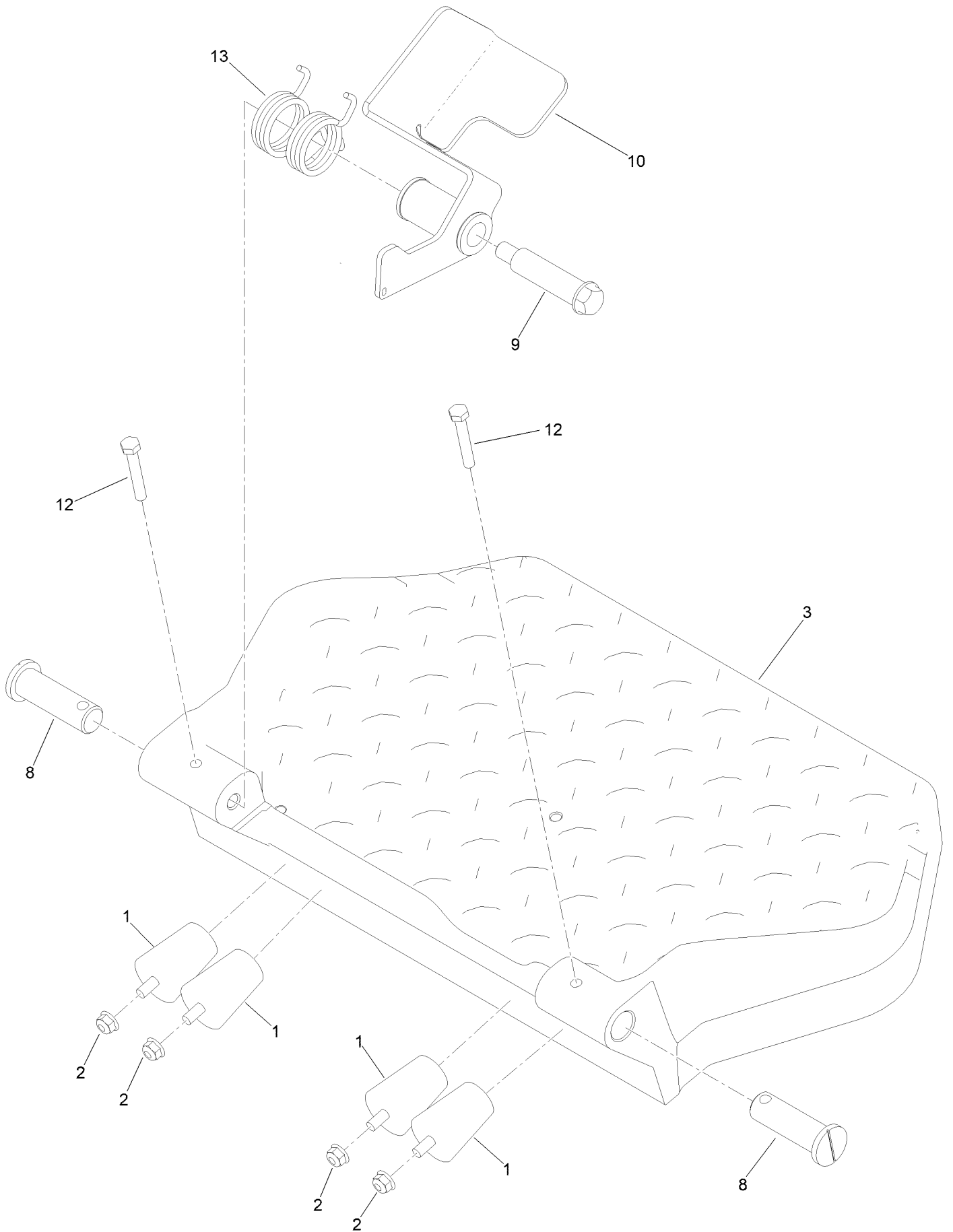
# Hydraulic Cylinder Assembly No. 145-4446 (continued)

---

<i>Ref.</i>	<i>Part Number</i>	<i>Qty.</i>	<i>Description</i>
1	137-5209	1	Seal Repair Kit

---

# Platform Assembly

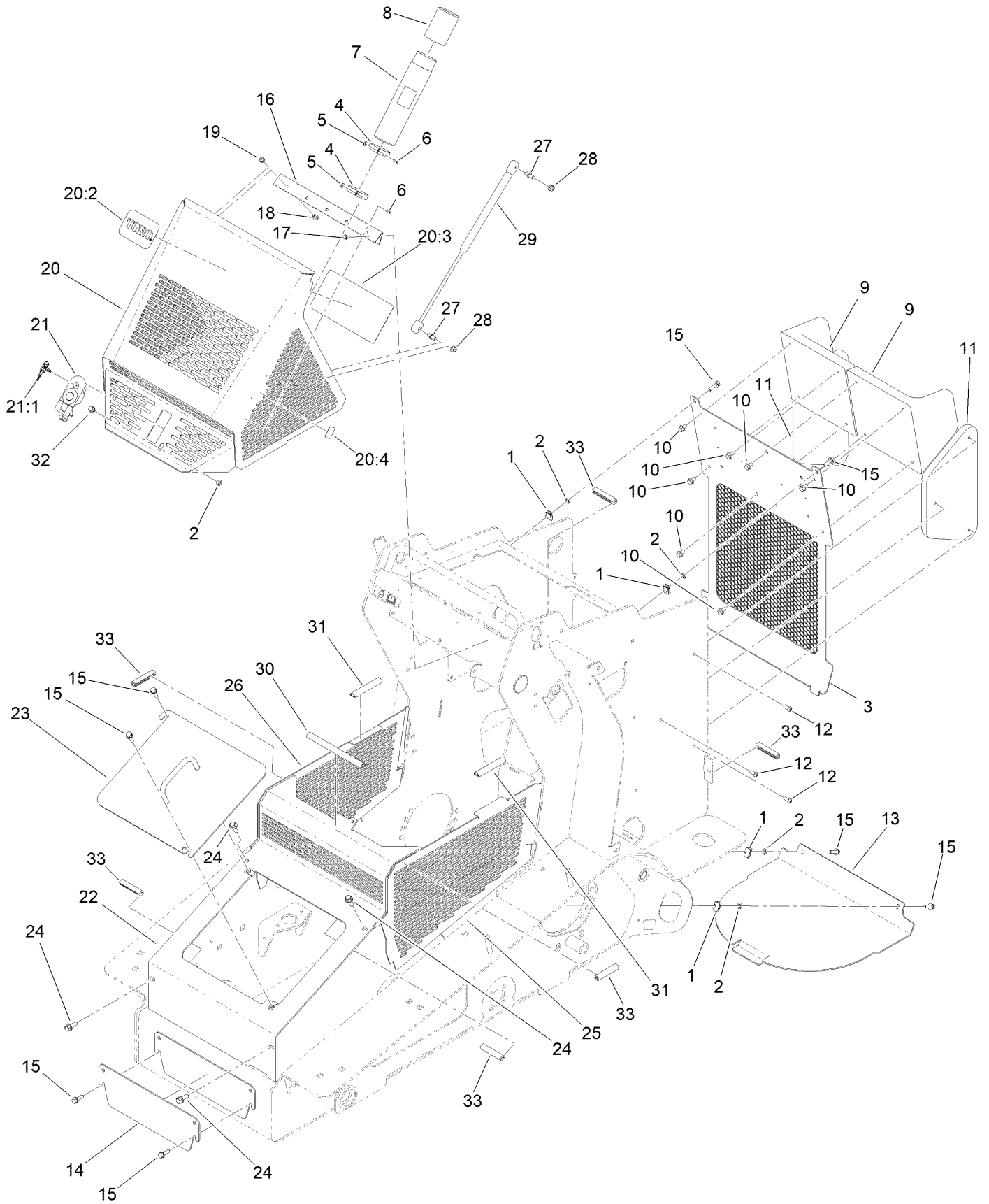




## Platform Assembly (continued)

<i>Ref.</i>	<i>Part Number</i>	<i>Qty.</i>	<i>Description</i>	<i>Ref.</i>	<i>Part Number</i>	<i>Qty.</i>	<i>Description</i>
1	110-5070	4	Bumper	9	126-9209	1	Bolt-Shoulder
2	104-8300	4	Nut-HF, NI	10	147-6774-05	1	Pedal ASM [blk-Txt]
3	147-9003-05	1	Operator Platform [blk-Txt]	12	322-10	2	Screw-HH
8	147-6772	2	Pin-Platform	13	147-6857	1	Spring-Torsion, Twin Coils

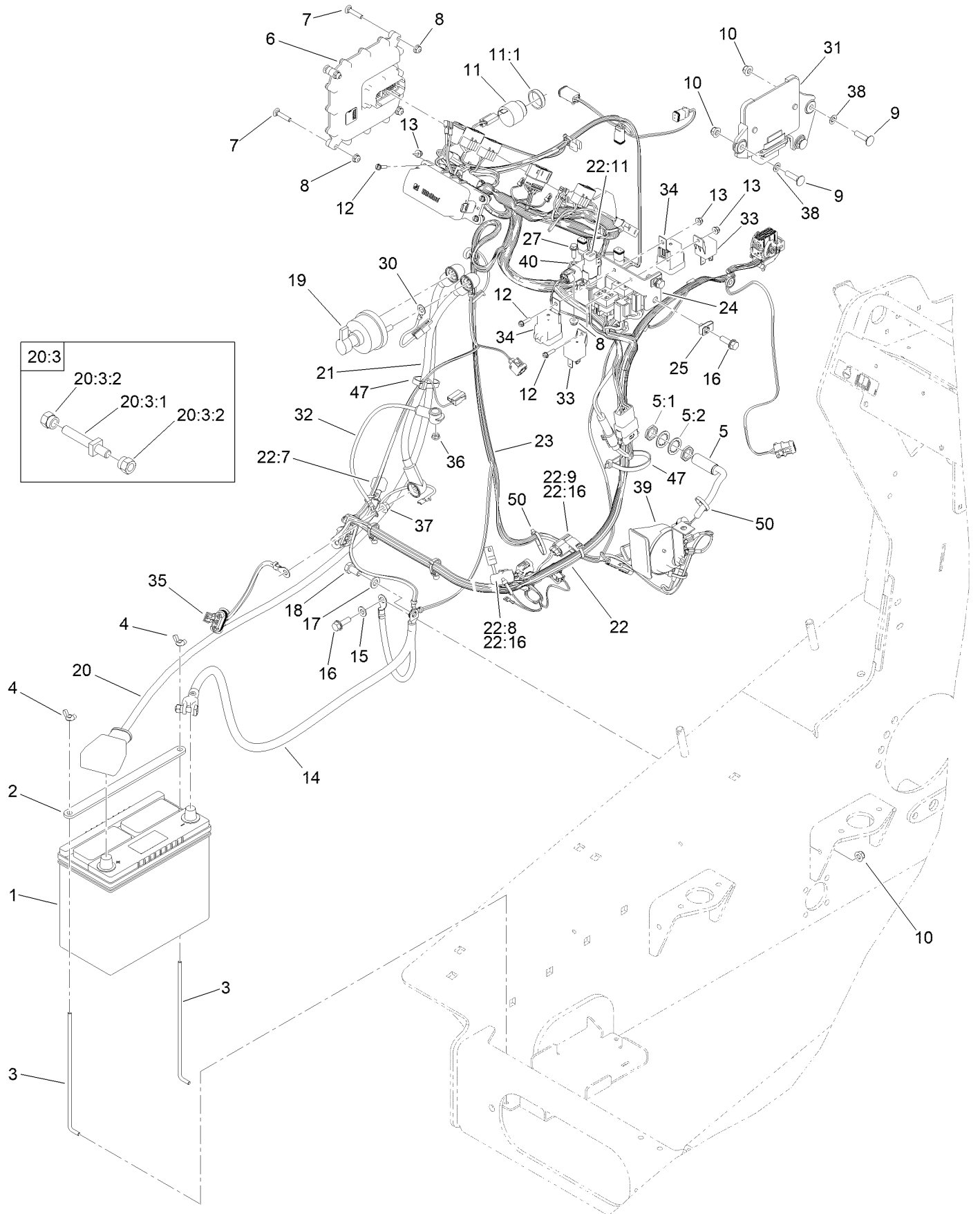
# Hood and Covers Assembly



## Hood and Covers Assembly (continued)

<i>Ref.</i>	<i>Part Number</i>	<i>Qty.</i>	<i>Description</i>	<i>Ref.</i>	<i>Part Number</i>	<i>Qty.</i>	<i>Description</i>
1	115-7721	6	Nut-Clip, U	20:2	117-0871	1	Decal
2	109-5667	5	Nut-Push	20:3	145-4486	1	Decal-Service Interval
3	144-4365-03	1	Cover-Rear [black]	20:4	147-6827	1	Decal-Operator Manual
4	2412-120	2	Clamp-R	21	144-4364	1	Latch-Compression, Locking
5	3269-10	2	Washer-Back	21:1	145-4488	1	Keys-Latch
6	3269-17	2	Rivet-Pop	22	147-6826-03	1	Panel-Cover, Front
7	104-7050	1	Tube-Manual	23	145-4338-03	1	Cover-Access, Battery [black]
8	104-7048	1	Cap-Housing	24	3234-42	4	Screw-HHF
9	140-5943	2	Pad-Operator	25	147-6821-03	1	Cover-Side, LH
10	3234-30	8	Screw-HHF	26	147-6822-03	1	Cover-Side, RH
11	145-4343	2	Pad-Operator, Knee	27	98-3104	2	Stud-Ball
12	3274-55	6	Screw-HSBH	28	104-8300	2	Nut-HF, NI
13	144-4397-01	1	Cover-Access, Bottom	29	147-6766	1	Spring-Gas
14	144-4352-01	1	Cover-Access, Front	30	140-5942	1	Seal-Bulb
15	3234-29	8	Screw-HHF	31	138-2449	2	Seal-Bulb
16	100-1284	1	Hinge-Hood	32	9266934	1	Screw
17	32144-4	4	Screw-HWH	33	70-2041	6	Trim - Edge
18	3234-13	5	Screw-HHF				
19	104-7201	5	Nut-HF, NI				
20	145-4470	1	Hood ASM				

# Electrical Assembly

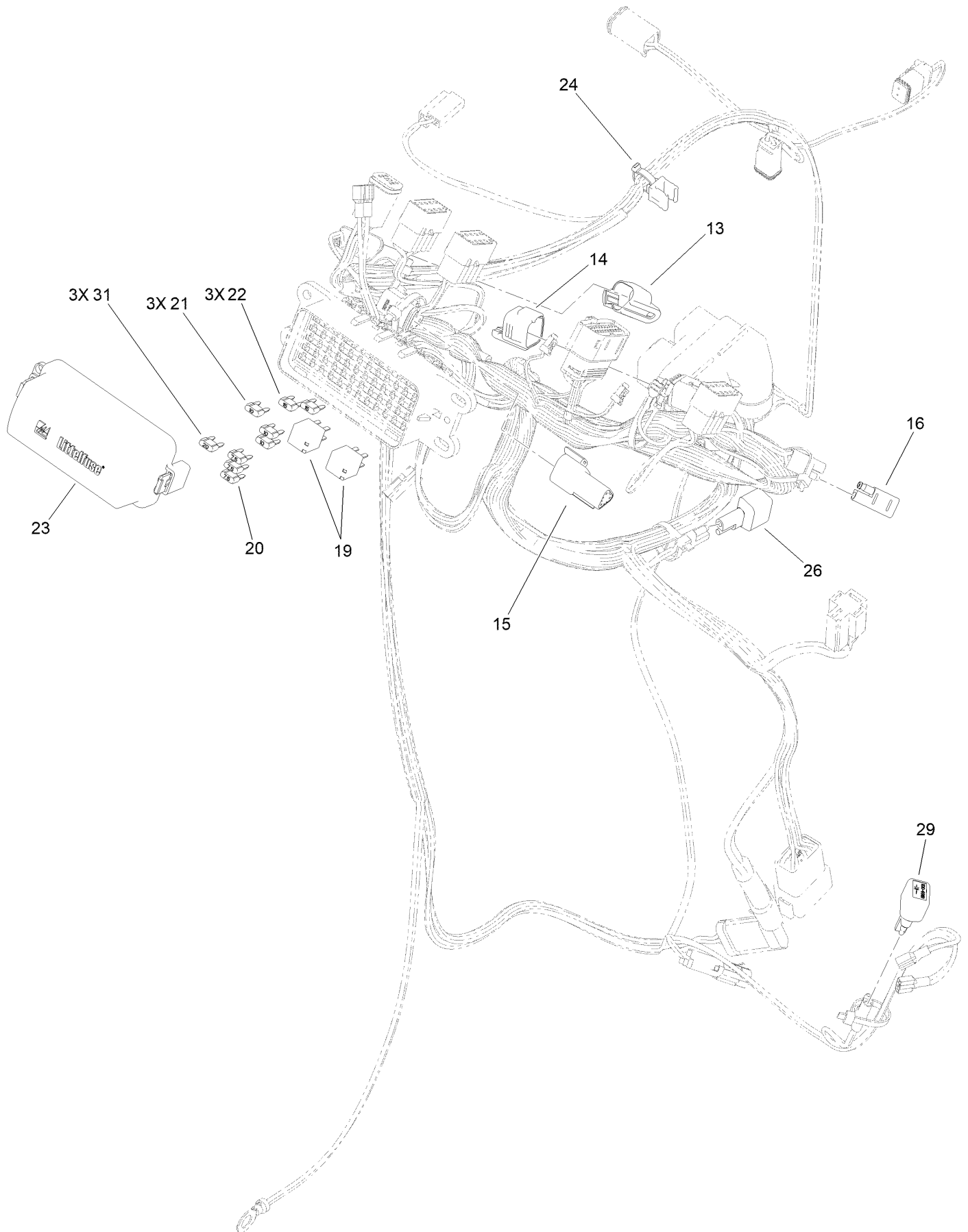


## Electrical Assembly (continued)

<i>Ref.</i>	<i>Part Number</i>	<i>Qty.</i>	<i>Description</i>	<i>Ref.</i>	<i>Part Number</i>	<i>Qty.</i>	<i>Description</i>
1	140-5760	1	Battery- Wet, 12V, 450 CCA	20:3	112-9921	1	Bolt ASM
2	145-4426-03	1	Plate-Hold Down, Battery	20:3:1	32180-107	1	Bolt-Clamp, Battery
3	136-5756	2	Rod-Hold Down, Battery	20:3:2	32180-108	2	Nut-Hex Shoulder
4	1-803038	2	Wingnut	21	122-2245	1	Cable-Battery, Rd ASM
5	115-5300	1	Proximity Switch ASM	22	122-2548	1	Harness-Wire, Engine
5:1	117-3207	2	Nut-Hex	22:7	100-4918	1	Diode
5:2	117-3208	2	Washer-Lock, Internal Tooth	22:8	121-8861	1	Fuse-Mini Blade, 2 Amp
6	127-2770	1	Controller	22:9	121-8866	1	Fuse-Mini Blade, 10 Amp
7	3229-3	4	Screw-CARR	22:11	32160-359	1	Connector (6M)
8	104-7201	6	Nut-HF, NI	22:16	32180-101	2	Cover-Fuse, Single
9	3230-3	3	Screw-CARR	23	122-2549	1	Harness-Wire, Main
10	104-8300	4	Nut-HF, NI	24	145-4397-0P	1	Bracket-Relay
11	80-9330	1	Audio Alarm ASM	25	115-7721	2	Nut-Clip, U
11:1	104-5107	1	Nut-Plastic, Knurled	27	115-5103	2	Screw-HHF
12	32105-13	6	Screw-HWH	30	136-4862	1	Harness-Wire, Fusible Link
13	120-4578	6	Nut-HF	31	144-4448	1	Controller-Engine
14	105-0115	1	Cable-Battery, Negative	32	100-5552	1	Harness-Wire
15	120-9683	1	Washer-Plain	33	99-7435	2	Relay
16	3234-29	3	Screw-HHF	34	99-7430	2	Relay-Mini
17	33095-00	1	Washer-Flat	35	99-3441	1	Harness-Wire, Fusible Link
18	33115-020	1	Screw-HH	36	33003-00	1	Nut-HF
19	AUR52278	1	Switch-Disconnect, Master	37	33004-00	1	Nut-HF
19:1	3253-21	2	Washer-Lock ●	38	109-5667	3	Nut-Push
19:2	126-0687	2	Nut-Hex ●	39	116749	1	Horn
19:3	515-0040	1	Washer,Lock,Int,.91X1.387X.056,Std Bohs ●	46	126-9261	1	Sensor-Atm
				47	3334-945	2	Tie-Cable
20	122-2244	1	Cable-Battery, Rd ASM	50	3290-378	2	Tie-Cable

● Not illustrated

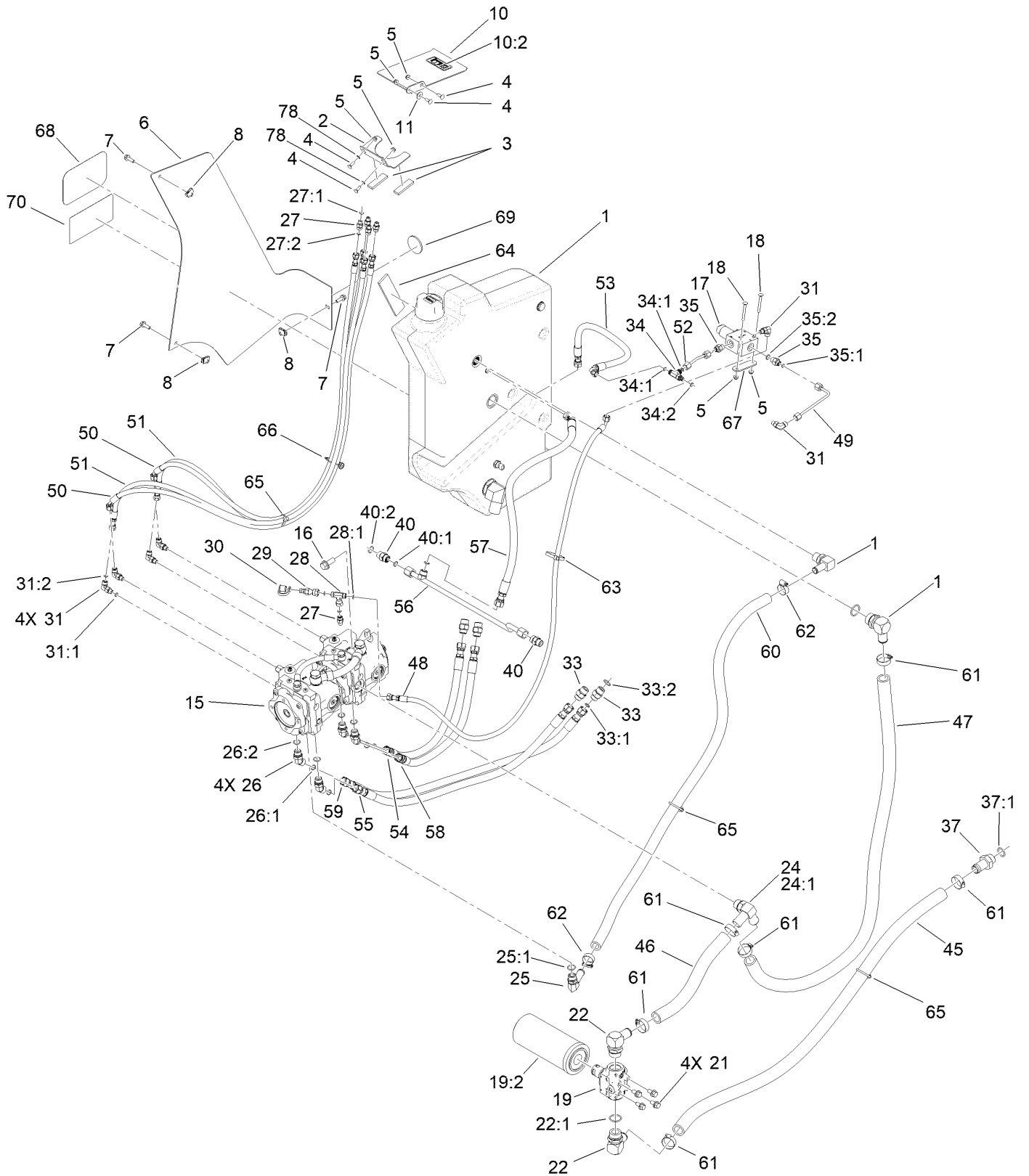
# Main Wire Harness Assembly No. 122-2549



# Main Wire Harness Assembly No. 122-2549 (continued)

<i>Ref.</i>	<i>Part Number</i>	<i>Qty.</i>	<i>Description</i>	<i>Ref.</i>	<i>Part Number</i>	<i>Qty.</i>	<i>Description</i>
13	32180-089	1	Cap-Plug, 3 Way	22	121-8867	3	Fuse-Mini Blade, 15 Amp
14	32180-156	1	Cap-Plug, 6 Way	23	32180-229	2	Cover-Littelfuse, Pdm 60F
15	32180-043	1	Resistor-120 Ohm	24	32180-078	1	Clip-Edge
16	116-0053	1	Cap-Plug	26	104-4022	1	Resistor-75 Ohm
19	126-3991	2	Relay-Micro	29	100-4918	1	Diode
20	121-8865	3	Fuse-Mini Blade, 7.5 Amp	31	121-8868	1	Fuse-Mini Blade, 20 Amp
21	121-8866	3	Fuse-Mini Blade, 10 Amp				

# Traction Hydraulics Assembly

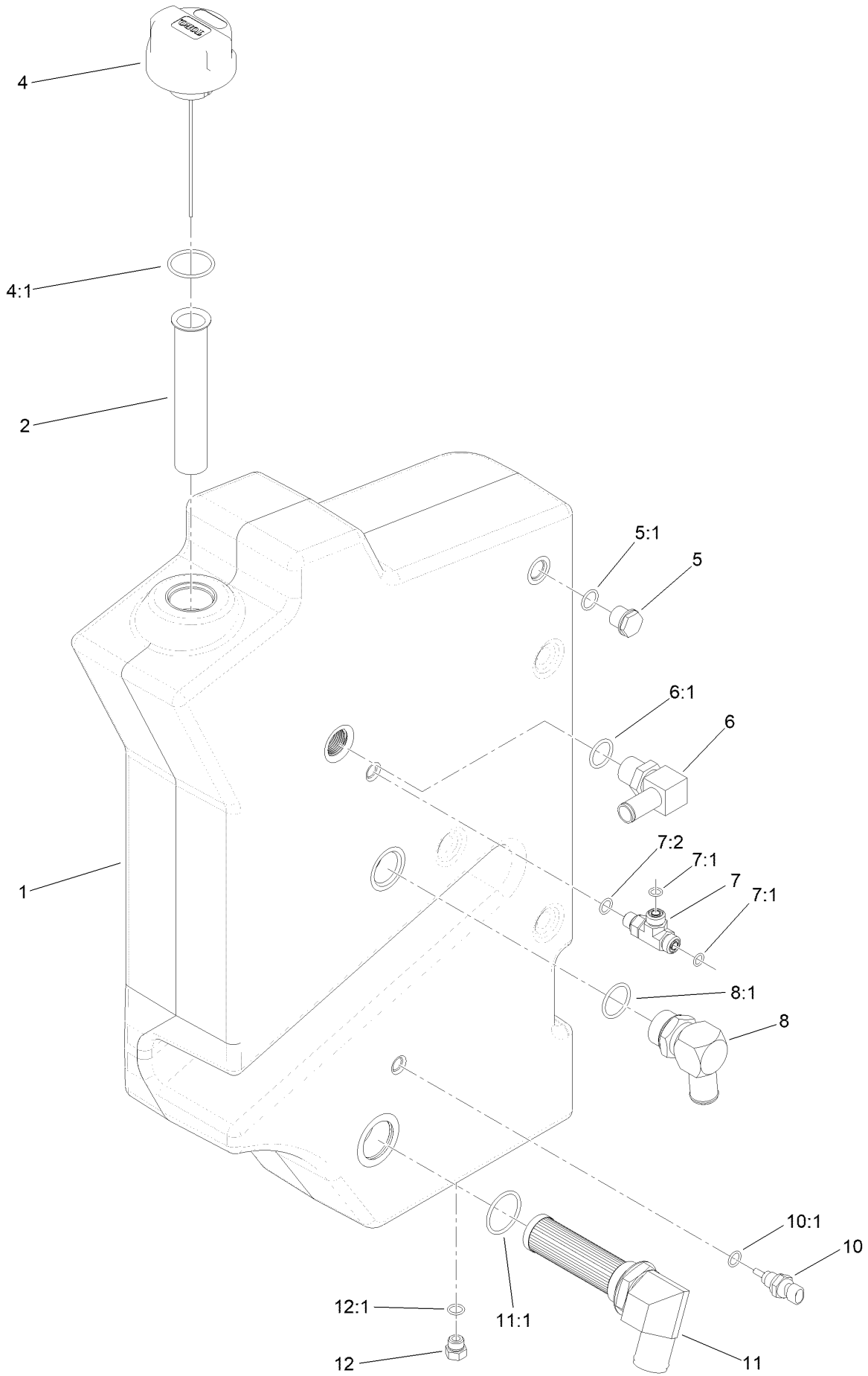




## Traction Hydraulics Assembly (continued)

<i>Ref.</i>	<i>Part Number</i>	<i>Qty.</i>	<i>Description</i>	<i>Ref.</i>	<i>Part Number</i>	<i>Qty.</i>	<i>Description</i>
1	145-4467	1	Tank ASM-HYD	33:2	237-80	1	O-Ring
2	145-4429-03	1	Bracket-Tank, Hold Down	34	340-140	1	Fitting-Tee
3	145-4430	2	Pad-Foam	34:1	237-21	2	O-Ring
4	3229-1	4	Screw-CARR	34:2	237-78	1	O-Ring
5	104-7201	6	Nut-HF, NI	35	340-1	2	Fitting-Straight
6	145-4483	1	Tank Cover ASM-HYD	35:1	237-21	1	O-Ring
7	3234-29	3	Screw-HHF	35:2	237-42	1	O-Ring
8	115-7721	3	Nut-Clip, U	37	99-3017	1	Fitting
10	145-4482	1	Tank Bracket ASM-HYD	37:1	237-81	1	O-Ring
10:2	125-8483	1	Decal-HYD Fluid	40	340-4	2	Fitting-Straight
11	3290-456	1	Washer-Belleville	40:1	237-30	1	O-Ring
15	147-6767	1	Pump-Tandem	40:2	237-79	1	O-Ring
16	137-4653	2	Screw-HHF	45	145-4380	1	HYD Hose
17	145-4324	1	Valve-Proportional Pressure Reducing	46	145-4381	1	HYD Hose
18	120-9699	2	Screw-CARR	47	145-4382	1	HYD Hose
19	139-1010	1	Filter Head ASM	48	145-4365	1	HYD Hose ASM
19:2	94-2621	1	Element-Filter	49	147-6713	1	HYD Tube ASM
21	3234-1	4	Screw-HHF	50	145-4367	2	HYD Hose ASM
22	23-8910	2	Stem-Barb-90	51	145-4368	2	HYD Hose ASM
22:1	237-146	1	O-Ring	52	147-6711	1	HYD Tube ASM
24	AU375462A1	1	Connector	53	145-4374	1	HYD Hose ASM
24:1	237-81	1	O-Ring	54	145-4377	1	HYD Hose ASM
25	87-8170	1	Fitting-90	55	145-4378	1	HYD Hose ASM
25:1	237-80	1	O-Ring	56	147-6770	1	HYD Tube ASM
26	340-101	4	Fitting-HYD, 45 DEG	57	147-6769	1	HYD Hose ASM
26:1	237-30	1	O-Ring	58	145-4490	1	HYD Hose ASM
26:2	237-79	1	O-Ring	59	145-4491	1	HYD Hose ASM
27	340-92	5	Fitting-Straight	60	145-4492	1	HYD Hose
27:1	237-78	1	O-Ring	61	2412-34	6	Clamp-Hose
27:2	237-21	1	O-Ring	62	2412-129	2	Clamp-Hose
28	99-3477	1	Fitting-Tee	63	3334-945	1	Tie-Cable
28:1	237-21	2	O-Ring	64	112-2401	1	Pad-Rubber
29	115-8886	1	Nipple-Test	65	32180-118	3	Clip-Tie
30	353-947	1	Cap-Dust, Black	66	32180-139	1	Mount-Tie Wrap, Magnetic
31	340-132	6	Fitting-Elbow, 90 DEG	67	147-6790	1	Bracket-Clamp, Valve
31:1	237-78	1	O-Ring	68	145-0609	1	Decal-Toro Logo
31:2	237-21	1	O-Ring	69	139-1937	1	Reflector-Red
33	340-6	4	Fitting-Straight	70	147-6708	1	Decal-Tx1000 Turbo
33:1	237-30	1	O-Ring	78	1-803037	2	Nut-Retaining

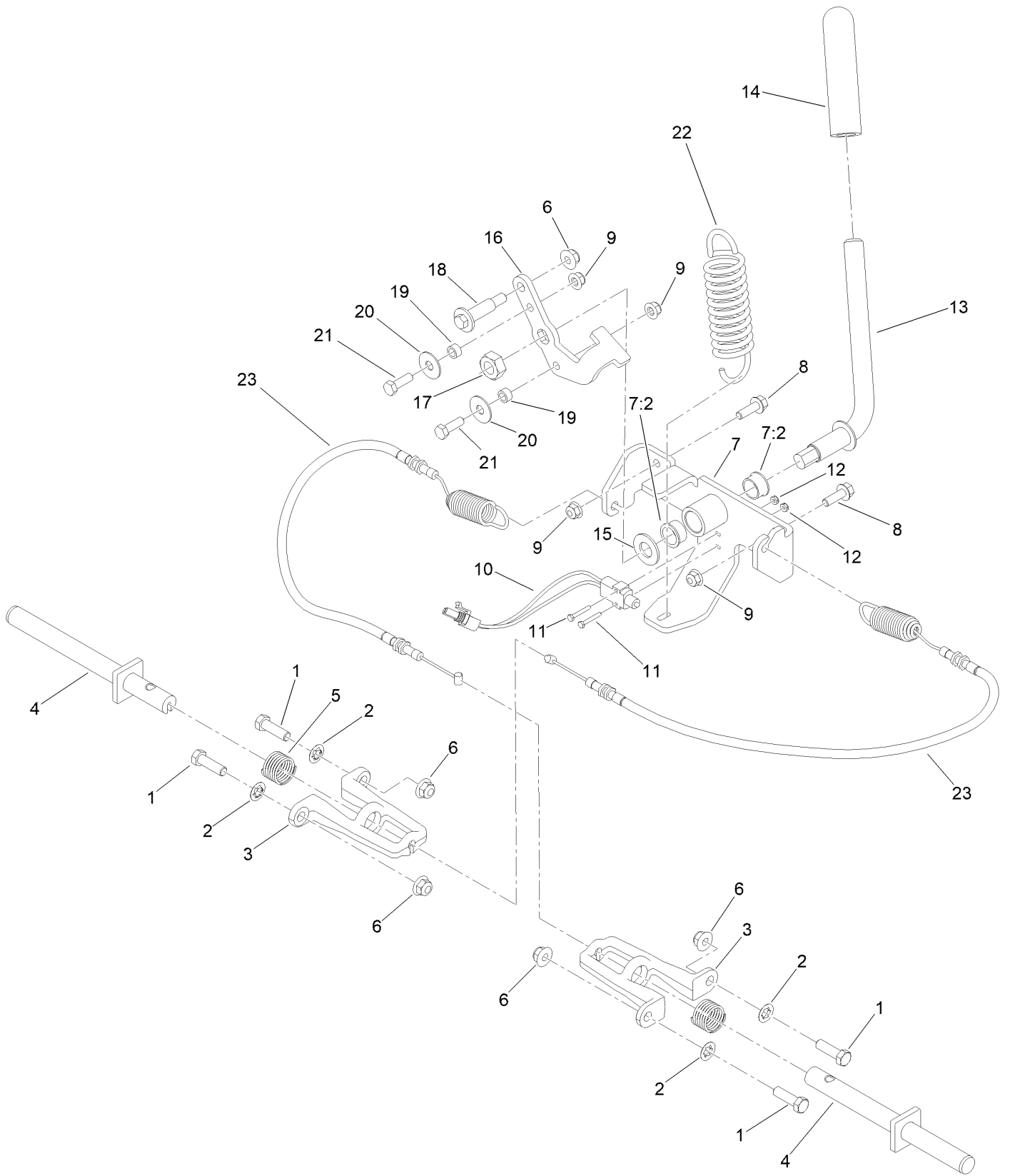
# Hydraulic Tank Assembly No. 145-4467



## Hydraulic Tank Assembly No. 145-4467 (continued)

<i>Ref.</i>	<i>Part Number</i>	<i>Qty.</i>	<i>Description</i>	<i>Ref.</i>	<i>Part Number</i>	<i>Qty.</i>	<i>Description</i>
1	147-6712	1	Tank ASM-HYD	7:1	237-22	2	O-Ring
2	61-2790	1	Filter-Screen	7:2	237-42	1	O-Ring
4	117-0193	1	Cap-Hydraulic, Vented Breather	8	23-8910	1	Stem-Barb-90
4:1	237-101	1	O-Ring	8:1	237-146	1	O-Ring
5	114-3075	1	Sight Glass ASM	10	110-8829	1	Sender-Temperature
5:1	237-79	1	O-Ring	10:1	237-42	1	O-Ring
6	353-987	1	Fitting-Elbow, 90	11	145-0622	1	Strainer Fitting ASM
6:1	237-81	1	O-Ring	11:1	237-101	1	O-Ring
7	340-86	1	Fitting-Tee	12	353-508	1	Plug-HH
				12:1	237-42	1	O-Ring

# Parking Brake Assembly



## Parking Brake Assembly (continued)

<i>Ref.</i>	<i>Part Number</i>	<i>Qty.</i>	<i>Description</i>	<i>Ref.</i>	<i>Part Number</i>	<i>Qty.</i>	<i>Description</i>
1	323-7	4	Screw-HH	12	3296-9	2	Nut-Hex
2	107-3154	4	Nut-Push	13	133-0232	1	Lever-Brake
3	138-0207-03	2	Mount-Pin [black]	14	110-1037	1	Grip-Handle
4	144-2137	2	Brake Rod ASM	15	3256-27	1	Washer-Flat
5	125-0344	2	Spring-Compression	16	138-0205-0P	1	Plate-Brake Linkage
6	104-8301	5	Nut-HF, NI	17	3296-33	1	Nut-Lock, NI
7	136-4798	1	Bracket-Brake	18	136-7198	1	Bolt-Shoulder
7:2	256-252	2	Bearing-Flange	19	85-9120	2	Spacer-Pivot, Tilt
8	3234-29	2	Screw-HHF	20	52-2860	2	Washer
9	104-8300	4	Nut-HF, NI	21	322-5	2	Screw-HH
10	95-8900	1	Switch	22	136-4787	1	Spring-EXT
11	32105-9	2	Screw-HH	23	136-4789	2	Cable-Brake

# Attachments and Accessories

## For 22587 TX 1000 Turbo Narrow Track Compact Tool Carrier

<b>Product Name</b>	<b>Model/Part</b>
Premium Engine Oil 10w30 (55 Gallon Drum) .....	121-6392
Premium Engine Oil 10w30 (5 Gallon Pail) .....	121-6393
Premium Engine Oil 15w40 (55 Gallon Drum) .....	121-6394
Premium Engine Oil 15w40 (5 Gallon Pail) .....	121-6395
PX Hydraulic Fluid (5 Gal) .....	133-8086
PX Hydraulic Fluid (55 Gal).....	133-8087
PX Hydraulic Fluid-4 Pack (Gallon).....	138-9460
Kit-Filter, 250 Hour.....	147-6854
Kit-Filter, 1000 Hour.....	147-6855
Standard Bucket .....	22340
High Volume Bucket .....	22342
Loose Materials Bucket .....	22410
48in Hydraulic Blade .....	22414
Bore Drive Head .....	22420
Rod and Reamer .....	22421
Stump Grinder .....	22429
Tree Forks .....	22438
Cement Bowl .....	22442
40in Tiller .....	22445
Crumber Kit .....	22464
Trench Filler.....	22472
High-Torque Trencher Head .....	22473
High-Speed Trencher Head .....	22474
Crumber Kit .....	22477
4-in-1 Bucket .....	22478
24in X 4in Soil Chain.....	22480
24in X 4in Combination Chain .....	22481
24in X 4in Rock Tooth Chain.....	22482
24in X 6in Soil Chain.....	22483
24in X 6in Combination Chain .....	22484
24in X 6in Rock Tooth Chain.....	22485
36in X 4in Soil Chain.....	22486
36in X 4in Combination Chain .....	22487
36in X 4in Rock Tooth Chain.....	22488
36in X 6in Rock Tooth Chain.....	22489
36in X 6in Soil Chain.....	22490
36in X 6in Combination Chain .....	22491
48in x 4in Soil Chain .....	22492
48in x 4in Combination Chain .....	22493
48in x 6in Soil Chain .....	22494
48in x 6in Combination Chain .....	22495
Narrow Bucket.....	22520
Grapple Rake .....	22577
Snow Thrower .....	22585
Adjustable Forks.....	22586
Grapple Bucket.....	22590

## Attachments and Accessories (continued)

Multi-Purpose Tool .....	22672
Floor Scraper .....	22673
Auger Head .....	22805
Universal Swivel Auger Head .....	22806
18in Auger Bit .....	22814
24in Auger Bit .....	22815
30in Auger Bit .....	22816
12in Auger Bit Extension .....	22818
24in Auger Bit Extension .....	22819
6in Full-Flight Auger Bit .....	22820
9in Full-Flight Auger Bit .....	22821
12in Full-Flight Auger Bit.....	22822
15in Full-Flight Auger Bit.....	22823
Vibratory Plow .....	22911
Soil Cultivator .....	23102
Hydraulic Breaker .....	23136
Leveler.....	23165
30in Standard Bucket .....	23174
30in Pallet Fork.....	23175
30in Grapple .....	23176
Power Box Rake .....	23702
New Red Paint - Gallon .....	361-11
Dark Metallic Gray Aerosol Paint .....	361-12
Semi-Gloss Black Spray Paint.....	361-9
Air Dry Red Paint - Qt .....	5340



**Count on it.**