



Seat Kit

Groundsmaster® e3200, e3300, 3200, or 3300 Series Traction Unit

Model No. 32301

Model No. 32302

Model No. 32303

Installation Instructions

Installation



Preparing the Machine

No Parts Required

Procedure

- **Groundsmaster 3200 or 3300 machines:** Perform the following steps:
 1. Park the machine on a level surface.
 2. Engage the parking brake.
 3. Lower the cutting unit.
 4. Shut off the engine and remove the key.
 5. Disconnect the battery; refer to the electrical system maintenance section of your *Operator's Manual*.
- **Groundsmaster e3200 or e3300 machines:** Perform the following steps:
 1. Park the machine on a level surface.
 2. Ensure that the parking brake is engaged; refer to your traction unit *Operator's Manual*.
 3. Lower the cutting unit.
 4. Shut off the machine and remove the key.
 5. Turn the battery-disconnect switch to the OFF position.



2

Installing the Seat to the Traction Unit

Parts needed for this procedure:

4	Bolt
8	Nut
1	Plate
1	Seat-switch wire harness
1	Air-ride-seat wire harness (Model 32303 only)

Positioning the Seat Assembly

1. **Groundsmaster e3200 or e3300 machines:** Remove the plate on the right side of the seat base (Figure 1). Retain the bolts.

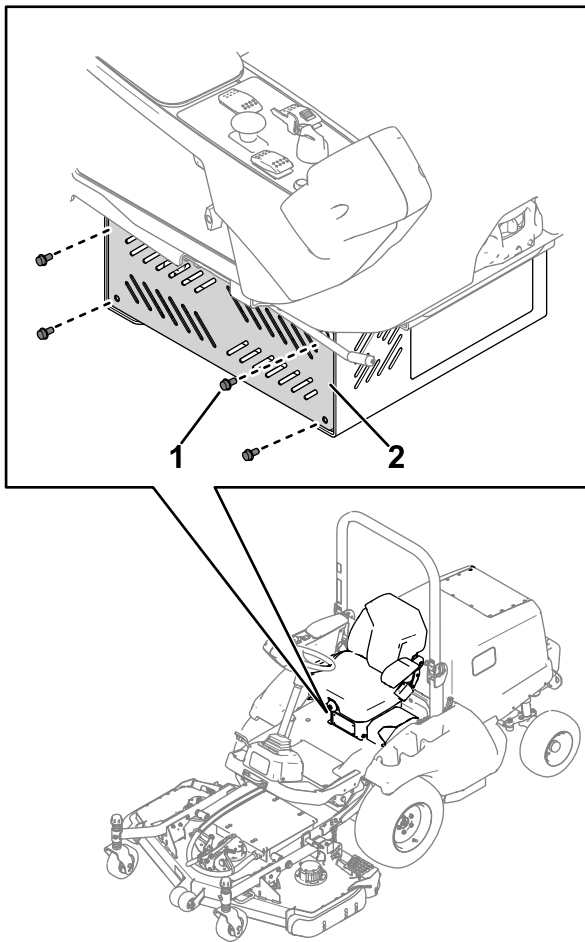


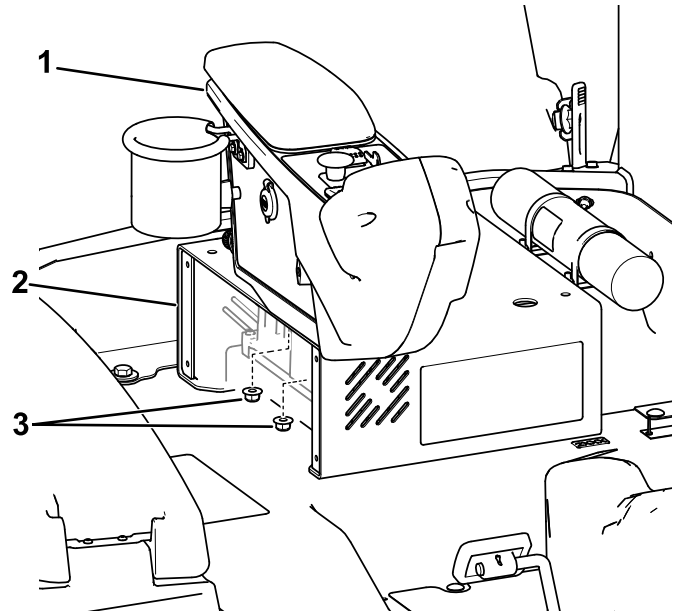
Figure 1

g492196

1. Bolt
2. Seat-base plate

2. Remove the console from the seat base (Figure 2) and retain the nuts.

Important: Support the console after removing it so that it does not crimp or hang by the cables and wires.



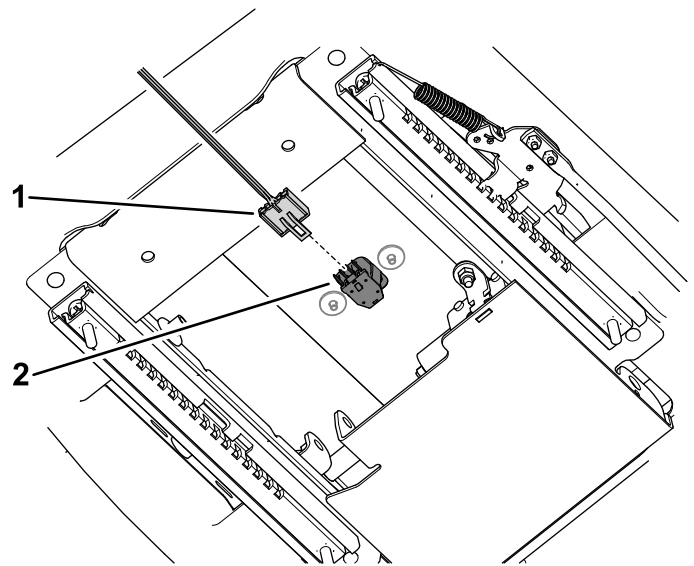
g491993

Figure 2

Groundsmaster e3200 machine shown

1. Console
2. Seat base
3. Nuts

3. Install the end of the seat-switch wire harness labeled P01 to the connector on the bottom of the seat (Figure 3).



g490500

Figure 3

1. P01 connector—wire harness
2. Seat connector

4. Align the seat studs with the holes in the seat base.

- Groundsmaster 3200 or 3300 machines shown in [Figure 4](#)
- Groundsmaster e3200 or e3300 machines shown in [Figure 5](#)

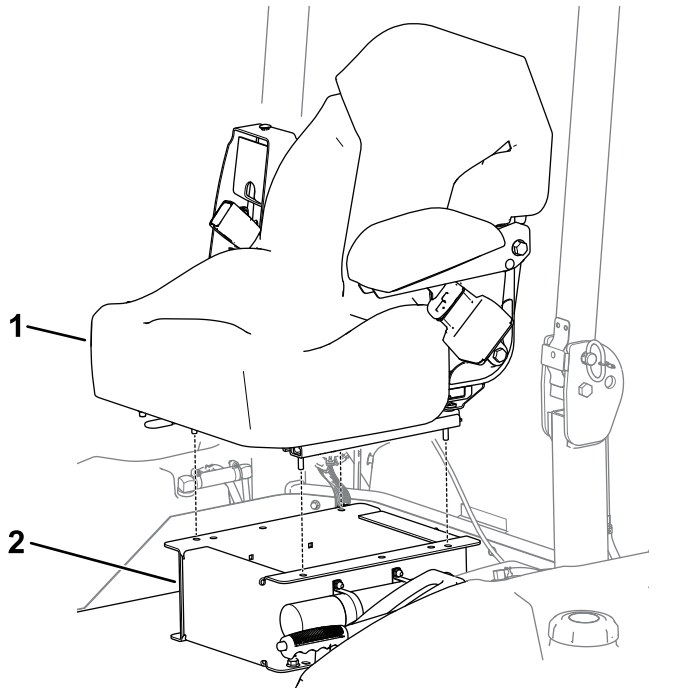


Figure 4

1. Seat 2. Seat base

g299316

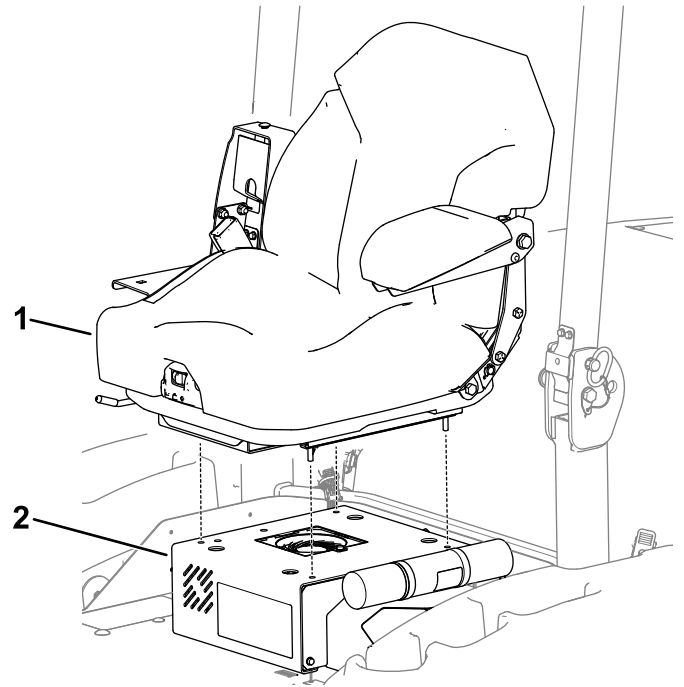


Figure 5

1. Seat 2. Seat base

g489866

Routing the Wire Harness

Note: Models 32301 and 32302 are equipped with 1 wire harness (i.e., the seat-switch wire harness). Model 32303 is equipped with 2 wire harnesses (i.e., the seat-switch wire harness and the air-ride-seat wire harness).

- **Installing the Seat-Switch Wire Harness:**

1. Perform the following step for your machine:

- **Groundsmaster 3200 or 3300 machines:**

Route the seat-switch wire harness connector between the seat and seat base and toward the machine wire harness ([Figure 6](#)).

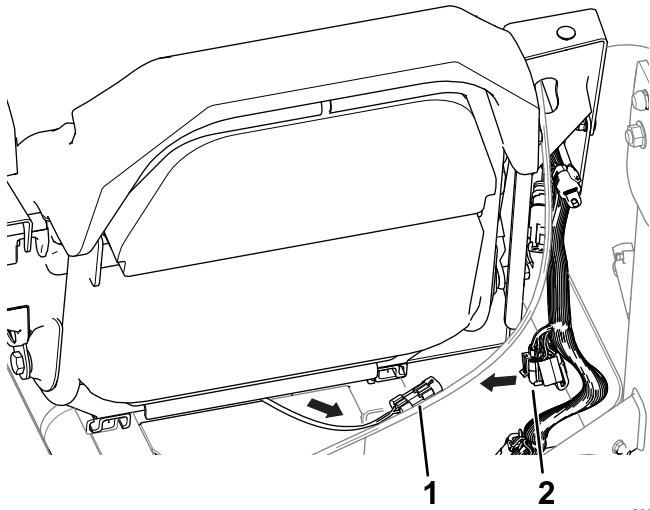


Figure 6

g299317

1. Seat-switch wire harness 2. Machine wire harness

– **Groundmaster e3200 or e3300 machines:**

Route the seat-switch wire harness connectors above the seat bellows and toward the machine wire harness (Figure 7).

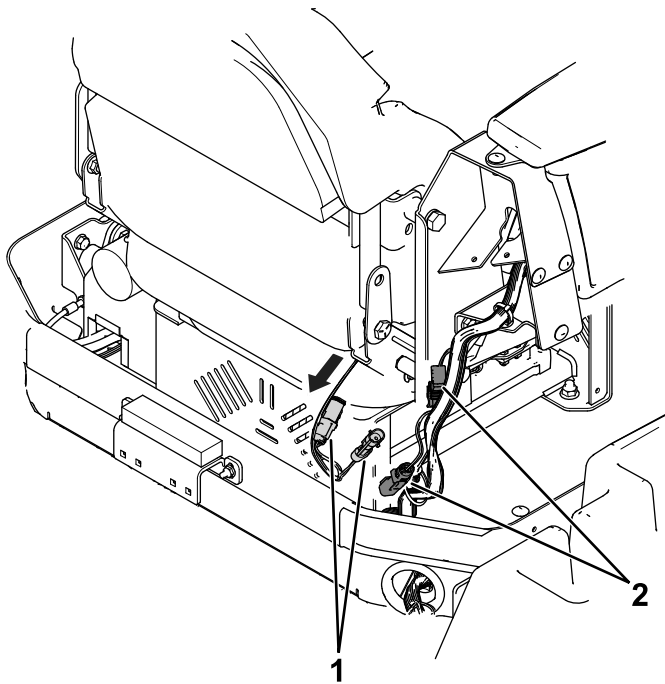


Figure 7

g492220

1. Wire-harness connectors—seat switch 2. Wire-harness connectors—machine

2. Install the seat-switch wire harness connectors to the machine wire-harness connectors shown in the following table:

Machine	Label—seat-switch wire harness	Label—machine wire harness
Groundmaster 3200/3300	P02 (SEAT NO)	P11 (SEAT SWITCH)
	P03 (SEAT NC)	Not applicable for these machines.
Groundmaster e3200/e3300	P02 (SEAT NO)	P79 (SEAT SWITCH NO)
	P03 (SEAT NC)	P96 (SEAT SWITCH NC)

• **Installing the Air-Ride-Seat Wire Harness (Model 32303 only):**

Install the end of the air-ride-seat wire harness to the machine wire-harness connector shown in the following table:

Machine	Label—machine wire harness
Groundmaster 3200/3300	P08 (AIR RIDE SEAT SW)
Groundmaster e3200/e3300	P81 (AIR RIDE SEAT)

Completing the Installation

1. Perform the following steps for your machine:

• **Groundmaster 3200 or 3300 machines:**

Use 4 nuts to secure the seat to the seat base (Figure 8).

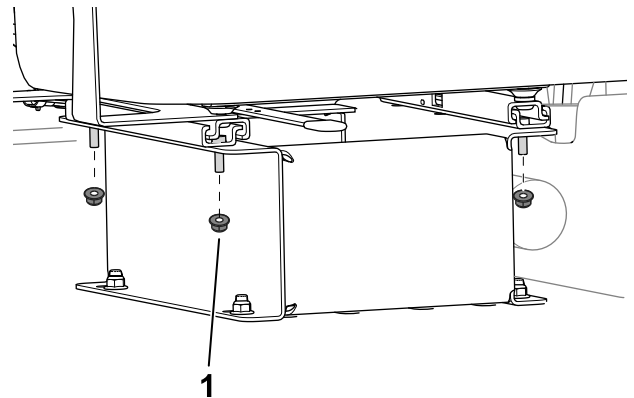


Figure 8

g299346

Groundmaster 3200/3300 machine shown

1. Nut

• **Groundmaster e3200 or e3300 machines:**

- A. Remove the plate from the left side of the seat base (Figure 9). Retain the bolts.

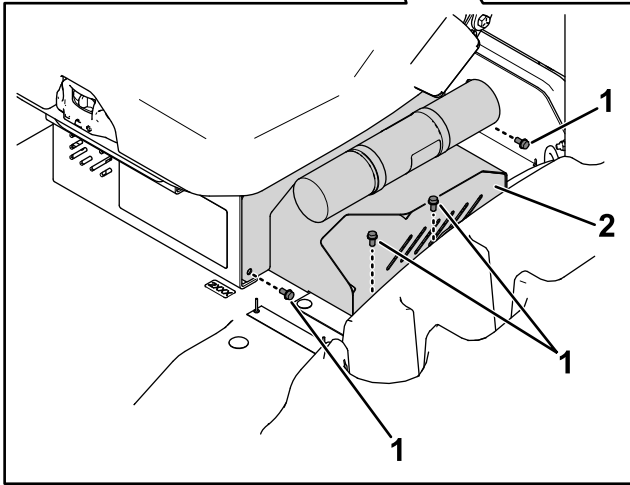
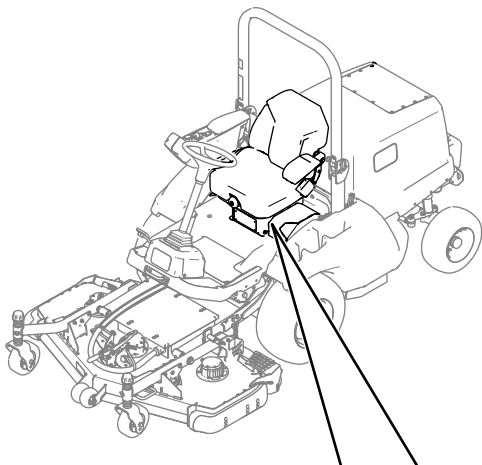


Figure 9

Groundmaster e3200/e3300 machine shown

g490184

- 1. Bolts
- 2. Seat-base plate

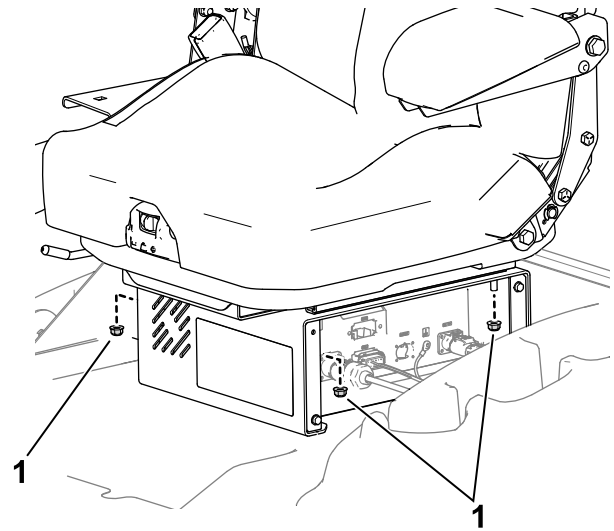


Figure 10

Groundmaster e3200/e3300 machine shown

g490183

- 1. Nuts

C. Use the retained bolts to install the seat-base plates to each side of the seat base (Figure 1 and Figure 9).

- 2. Position the console to the seat bracket (A in Figure 11).

For Model 31900, 31901, 31907, and 31909 machines: Ensure that the throttle cable is positioned in the seat-bracket gap above the wire harness (inset of A in Figure 11).

- B. Use 4 nuts to secure the seat to the seat base (Figure 10).

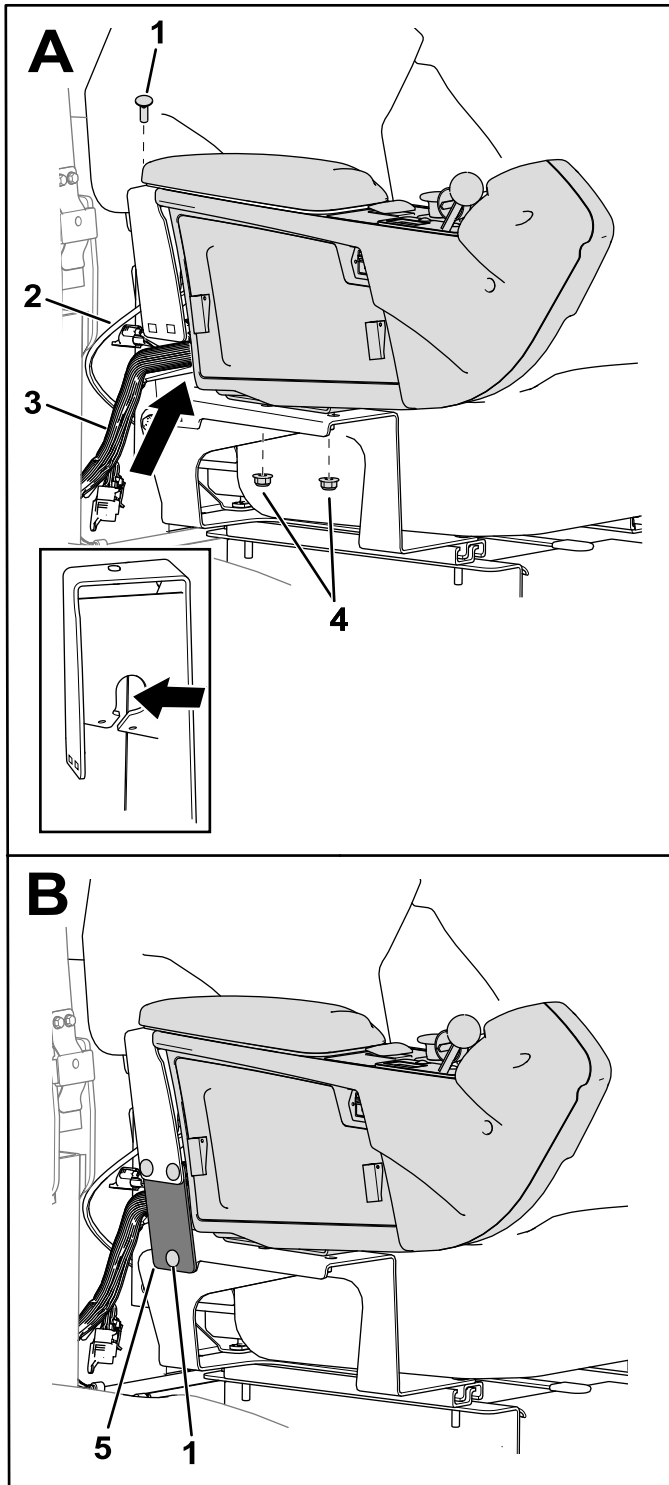


Figure 11

Groundsmaster 3200/3300 machine shown

- | | |
|-------------------------|----------|
| 1. Carriage bolt | 4. Nuts |
| 2. Throttle cable | 5. Plate |
| 3. Machine wire harness | |

Tighten the carriage bolt and nut, then tighten the existing nuts to the console studs.

- Secure the plate to the seat bracket with 3 carriage bolts and 3 nuts (B in [Figure 11](#)).

3

Completing the Installation

No Parts Required

Procedure

- Perform the following steps for your machine:
 - Groundsmaster 3200 or 3300 machines:** Connect the battery; refer to the electrical system maintenance section of your *Operator's Manual*.
 - Groundsmaster e3200 or e3300 machines:** Turn the battery-disconnect switch to the ON position.
- Adjust the seat as needed; refer to [Product Overview](#) (page 7).

- Secure the console to the seat bracket with the existing nuts [removed in [Positioning the Seat Assembly](#) (page 2)] and a carriage bolt and nut (A in [Figure 11](#)).

Product Overview

Controls

Fore/Aft Locking Lever

Use the fore/aft adjustment lever to change the forward/rearward position of the seat.

- **Model 32301:** Move the lever to the left (Figure 12), move the seat to a comfortable position, and release the locking lever to secure the position of the seat.
- **Model 32302 and 32303:** Lift the locking lever to release the seat (Figure 13), move the seat to a comfortable position, and release the locking lever to secure the position of the seat.

Important: The locking lever must secure the operator's seat at the desired position. The operator's seat must not move forward or rearward when the seat is locked.

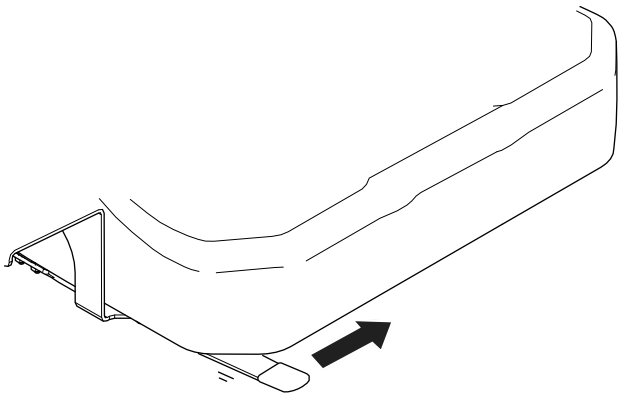


Figure 12

g300242

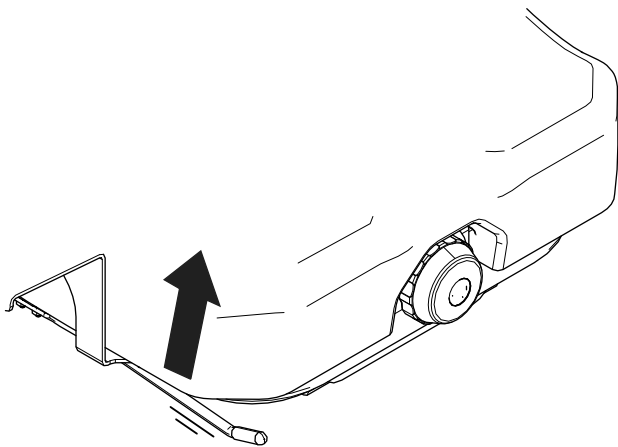


Figure 13

Model 32302 shown

g299349

Weight-Adjustment Dial

Model 32302 Only

Adjust the dial (Figure 14) to match your weight (kg or lb).

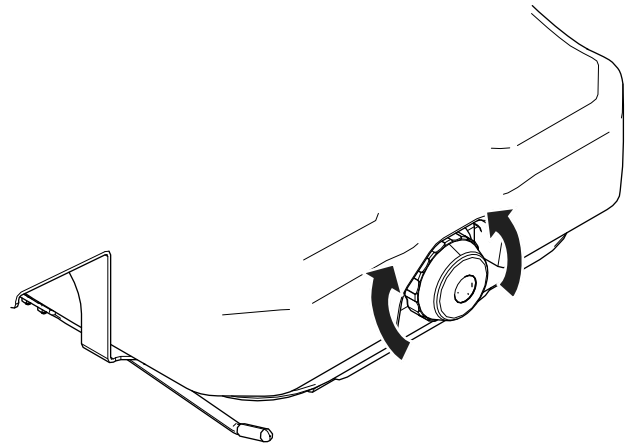


Figure 14

g299348

Suspension-Adjustment Switch

Model 32303 Only

Move the switch (Figure 15) to the left or right to adjust the amount of cushioning.

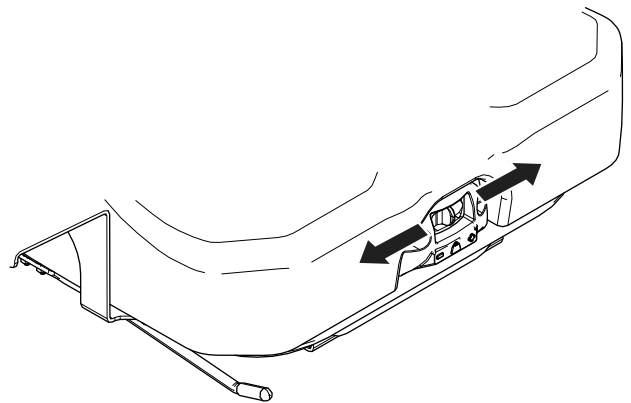


Figure 15

g299347



Count on it.