



Count on it.

Parts Catalog

**Workman® GTX Electric
Utility Vehicle with Extended Chassis**

Model No. 07412EX—Serial No. 414700000 and Up



Ordering Replacement Parts

To order replacement parts, please supply the part number, the quantity, and the description of each part desired.

Understanding Reference Numbers

Each identified part in an illustration has a reference number. The reference number for a part also appears in the parts list, along with other information about the part.

This catalog uses two special reference number formats, one to indicate parts in a service assembly and another to indicate the quantity of a given part in an illustration.

Service Assembly Reference Numbers

Parts in service assemblies have reference numbers in the form a:b. The a represents the reference number of the entire service assembly and the b represents a sequential number unique to each part within the service assembly.

For example, a wheel assembly might be identified by reference number 6, the tire by 6:1, the valve by 6:2, and the wheel by 6:3. When you order the assembly identified by reference number 6, you receive all parts identified by reference numbers 6:1, 6:2, and 6:3. However, you may also order any part individually. Reference numbers of this type appear in illustration and in parts lists.

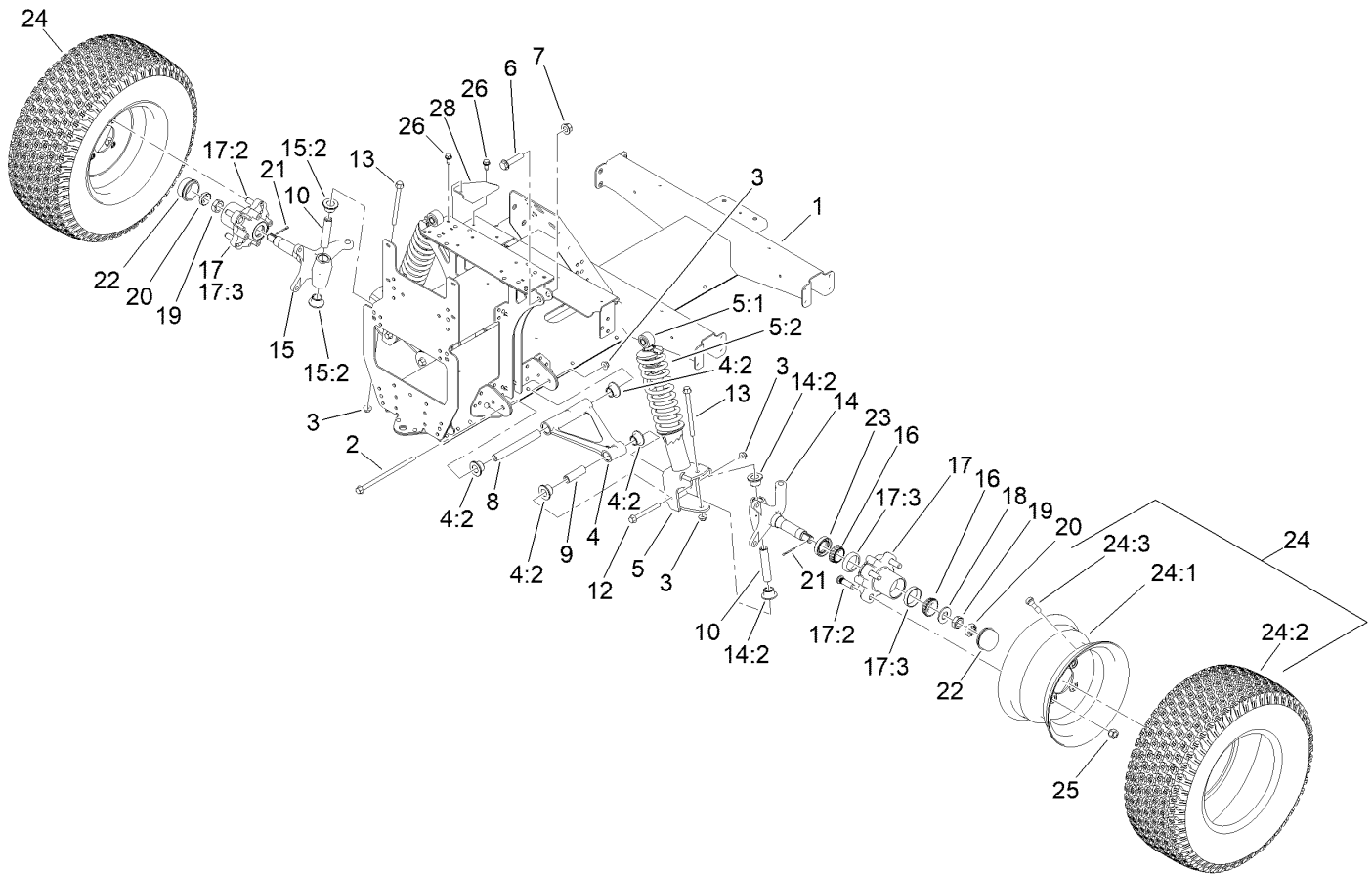
Reference Numbers Indicating Quantity

In an illustration, if a reference number indicates more than one part, the reference number has the form nX y. The n represents the quantity of the part, the X is the multiplication symbol, and the y represents the reference number.

For example, in an illustration, the reference number 2X 37 means that two of the parts identified by reference number 37 are indicated.

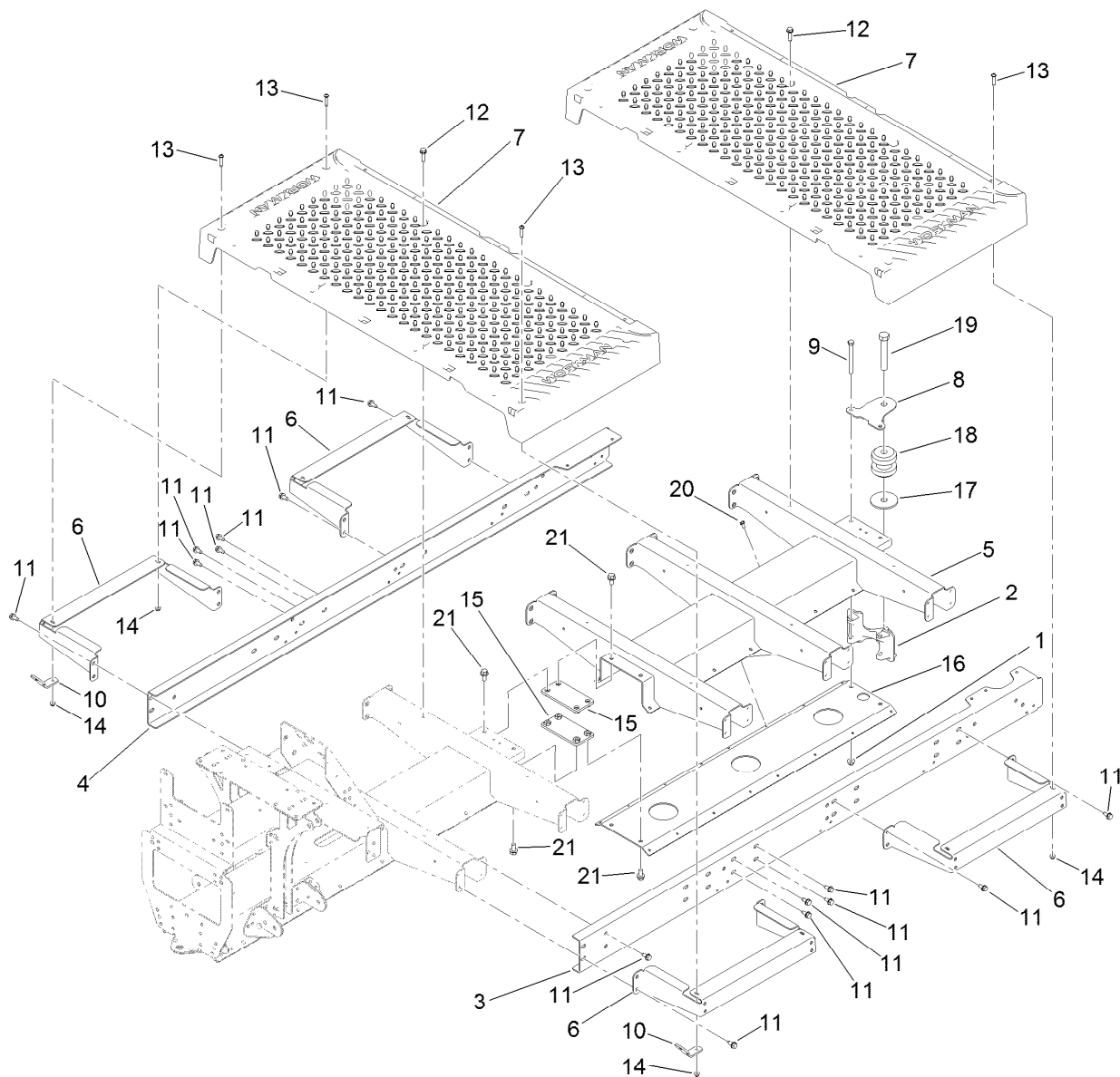
Contents

Front Frame and Suspension Assembly	4
Floor Plate and Rear Suspension Mount Assembly	5
Rear Frame and Suspension Assembly	6
Frame Mount and Rear Shock/Spring Assembly	7
Brake Assembly	8
Master Cylinder Assembly No. 104-6782	9
Brake Caliper Assembly No. 161-1890	10
Steering Assembly	11
Pedal and Control Assembly	12
Hood and Fender Assembly	13
Dash Assembly	14
Seatbase Assembly	15
Cargo Bed Assembly	16
Battery Assembly	17
Rear Axle and Motor Assembly	18
Transaxle Assembly No. 136-6340	19
Electric Motor Assembly No. 137-6936	20
Controller Assembly	21
Sevcon Controller Assembly No. 137-9898	23
Onboard Charger Assembly No. 131-8490	24
Accelerator Pedal and Key Switch Assembly	25
Attachments and Accessories	26



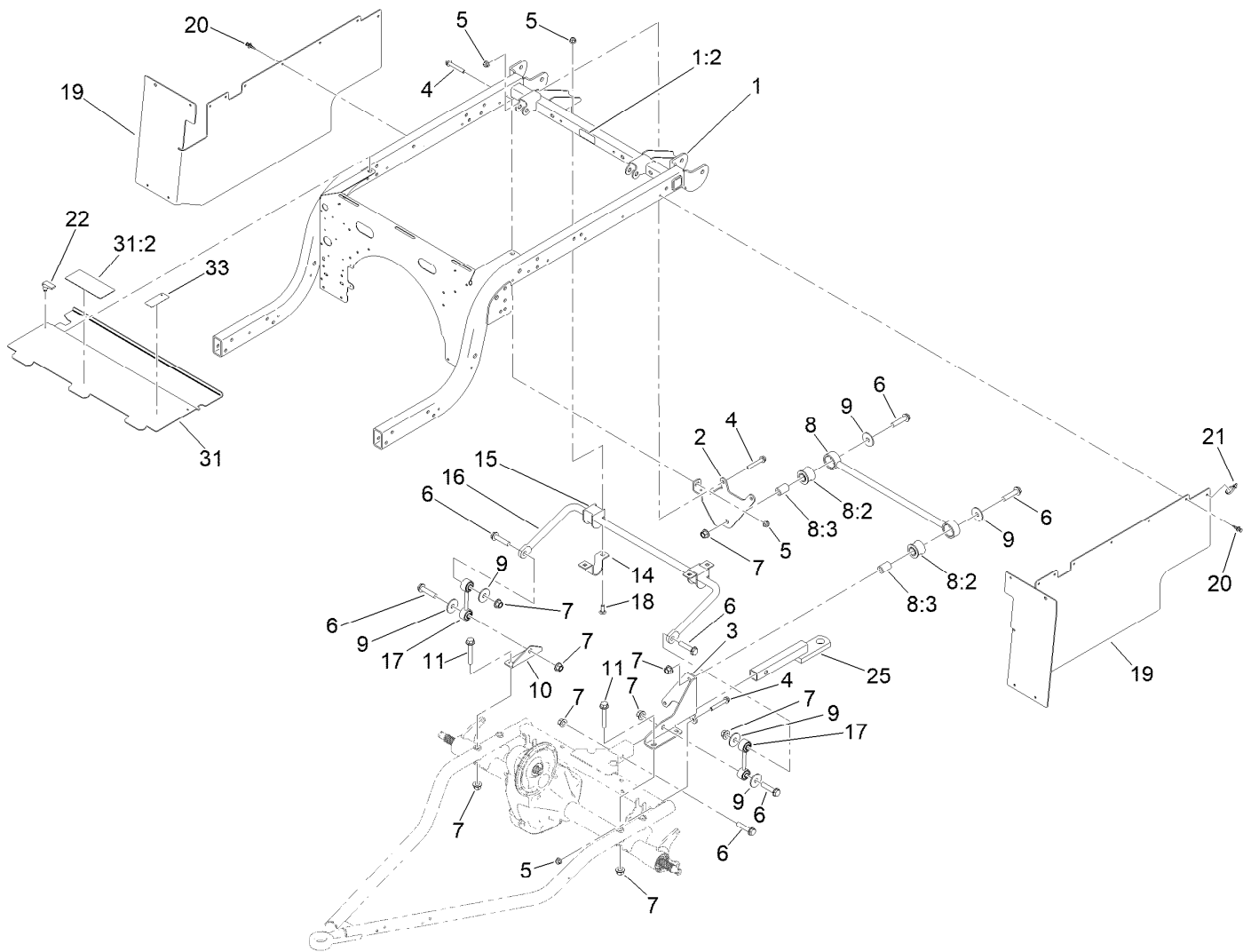
Front Frame and Suspension Assembly

Ref.	Part Number	Qty.	Description	Ref.	Part Number	Qty.	Description
1	147-8209-03	1	Front Frame ASM	15:2	140-4615	2	Bushing-Flange
2	139-3360	2	Screw-HF	16	254-94	4	Bearing-Cone, Tapered
3	139-3380	6	Nut-HF	17	127-8851	2	Front Hub ASM
4	144-2161	2	Control Arm ASM	17:2	10-6830	4	Stud-Type, Drive
4:2	140-4615	4	Bushing-Flange	17:3	254-72	2	Bearing-Cup, Tapered
5	139-4484	2	Strut ASM, 250 Lb (16.33" EXT Length)	18	93-0309	2	Washer-Tab
5:1	131-8574	1	Isolator-Shock	19	3220-7	2	Nut-Jam
5:2	137-6719	1	Spring-Compression, 250Lb	20	93-0307	2	Nut-Lock, Retainer
6	3234-46	2	Screw-HHF	21	3272-12	2	Pin-Cotter
7	99-5107	2	Nut-Lock	22	241-119	2	Cap-Dust
8	131-8581	2	Sleeve-Control Arm, Inner	23	112-1690	2	Seal-Oil
9	131-8583	2	Sleeve-Control Arm, Outer	24	147-2761	2	Wheel And Tire ASM
10	131-8582	2	Sleeve-Kingpin	24:1	147-2762	1	Wheel
12	139-3370	2	Screw-HF	24:2	139-4475	1	Tire-20 X 8.00-10
13	139-3350	2	Screw-HF	24:3	232-27	1	Stem-Valve
14	144-5468	1	Spindle ASM LH	25	242-50	8	Nut-Lug
14:2	140-4615	2	Bushing-Flange	26	32144-70	2	Screw-HWHTF
15	144-5469	1	Spindle ASM RH	28	131-8339-03	1	Reinforcement-Tower



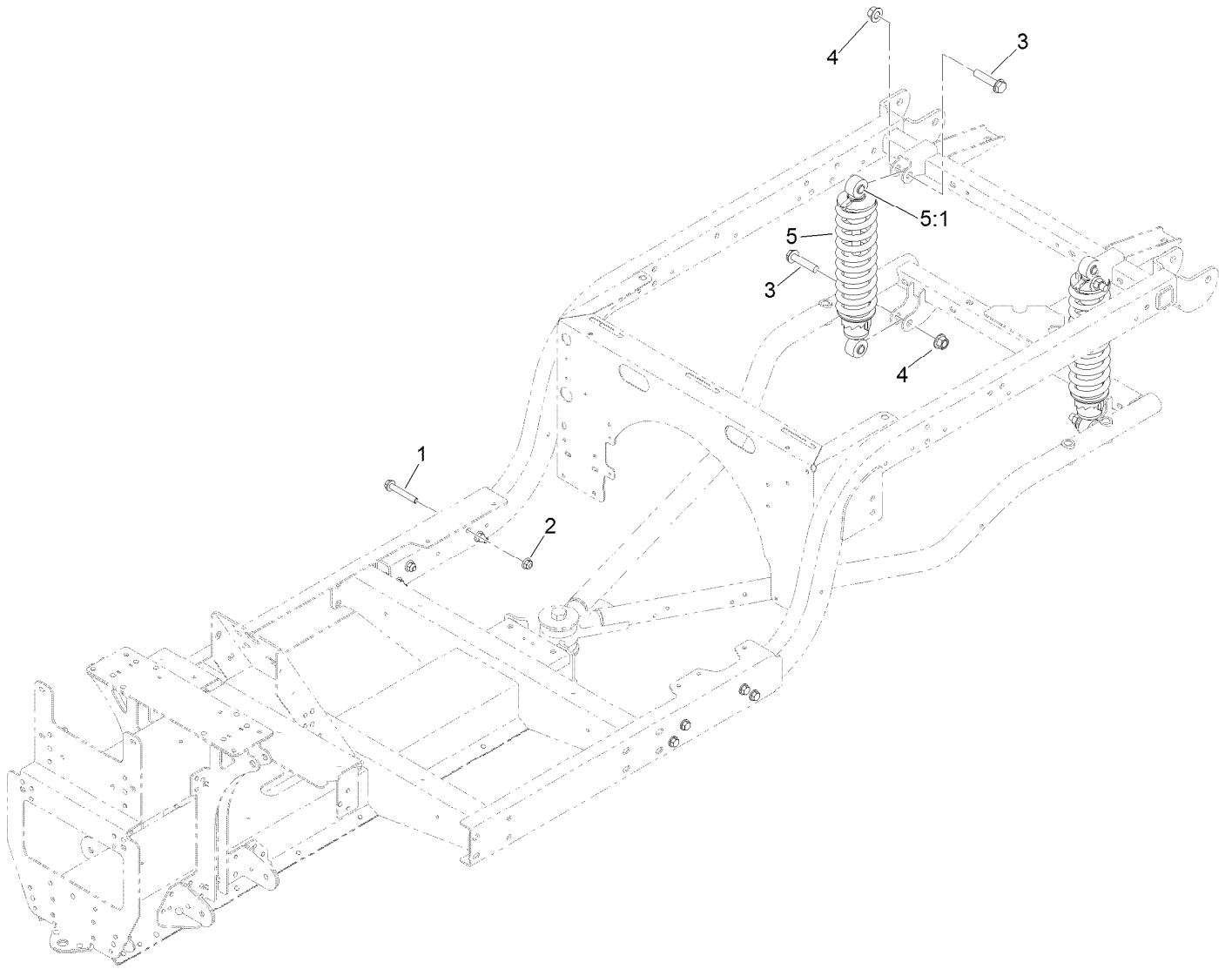
Floor Plate and Rear Suspension Mount Assembly

Ref.	Part Number	Qty.	Description	Ref.	Part Number	Qty.	Description
1	104-8301	2	Nut-HF, NI	12	32144-49	8	Screw-HWHTF
2	131-8466	1	Mount-Suspension, Rear	13	132-6777	8	Screw-Twh Thd Roll
3	127-7823-03	1	Channel-Extended, LH	14	104-7201	8	Nut-HF, NI
4	127-7824-03	1	Channel-Extended, RH	15	131-8424	2	Plate-Connection
5	127-7828-03	1	Channel-Extension	16	127-7827-03	1	Plate-Channel, Extension
6	127-7837-03	4	Bracket-Support, Floor Plate	17	110-4549	1	Washer-Snubbing
7	127-7829	2	Plate-Floor	18	131-8480	1	Isolator
8	131-8597	1	Plate-Gimbal, Upper	19	104-5877	1	Screw-HH
9	323-42	2	Screw-HH	20	32144-4	16	Screw-HWH
10	127-7832	2	Bracket-Angle	21	3234-1	8	Screw-HHF
11	32144-70	40	Screw-HWHTF				



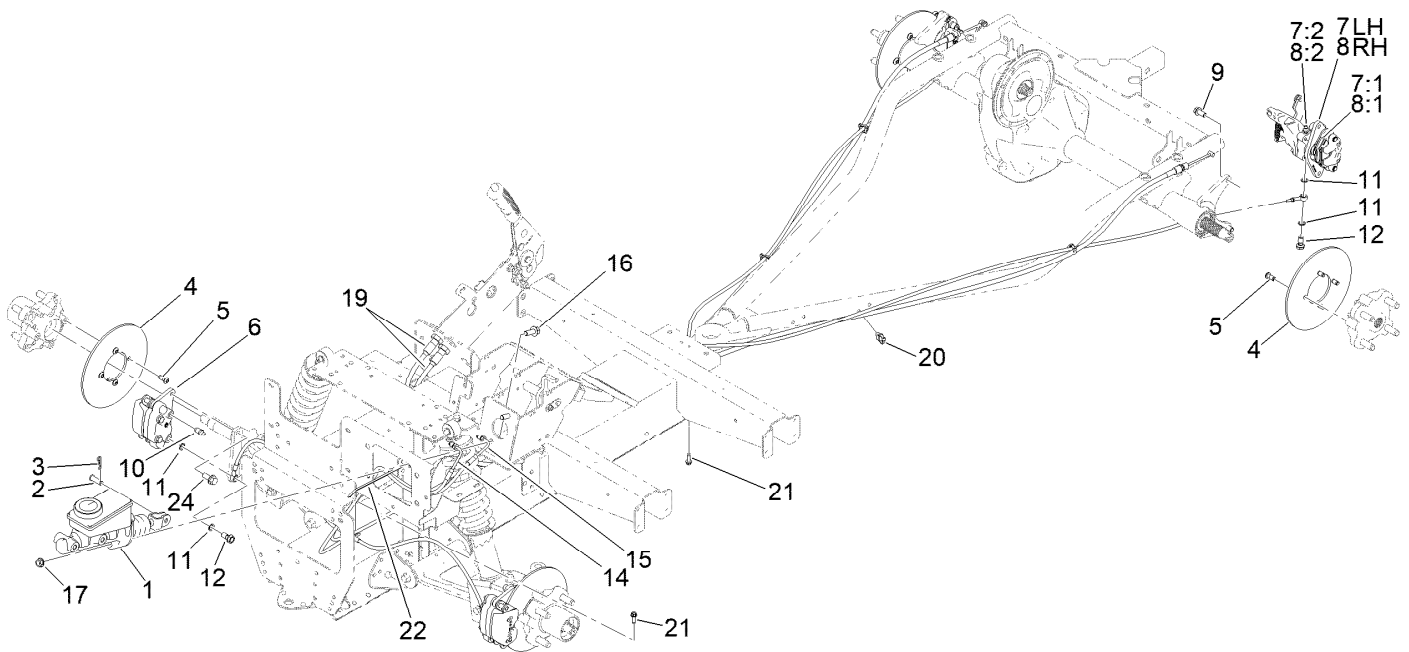
Rear Frame and Suspension Assembly

<i>Ref.</i>	<i>Part Number</i>	<i>Qty.</i>	<i>Description</i>	<i>Ref.</i>	<i>Part Number</i>	<i>Qty.</i>	<i>Description</i>
1	140-2498	1	Rear Frame ASM	11	3234-40	4	Screw-HF
1:2	115-2047	1	Decal-Surface, Hot	14	139-4644	2	Clamp, Anti-Sway Bar
2	139-4647-03	1	Bracket-Stabilizer Bar	15	87-3910	2	Bushing-Rubber
3	127-7411-03	1	Bracket-Bar, Stabilizer	16	131-8310-03	1	Bar-Sway, Anti
4	3234-39	5	Screw-HHF	17	131-8394	2	Link-Bar, Sway
5	104-8301	9	Nut-HF, NI	18	3231-22	4	Screw-CARR
6	3234-46	7	Screw-HHF	19	131-8346	2	Panel-Side
7	99-5107	11	Nut-Lock	20	125-9622	20	Rivet-Blind
8	109-5013	1	Panhard Rod ASM	21	3290-378	2	Tie-Cable
8:2	109-5009	2	Bushing-Suspension, Rubber	22	74-5950	2	Latch-Swell
8:3	109-5010	2	Spacer	25	137-6741	1	Ball Mount ASM
9	86-1990	6	Washer-Thrust	31	140-4573	1	Extended Panel-Cover
10	131-8315	1	Bracket-Link, Sway Bar	31:2	99-7345	1	Decal-Warning
				33	145-8016	1	Decal-Gtx Electric



Frame Mount and Rear Shock/Spring Assembly

<i>Ref.</i>	<i>Part Number</i>	<i>Qty.</i>	<i>Description</i>
1	3234-39	8	Screw-HHF
2	104-8301	8	Nut-HF, NI
3	3234-46	4	Screw-HHF
4	99-5107	4	Nut-Lock
5	139-4607	2	Shock/Spring ASM
5:1	131-8574	2	Isolator-Shock



Brake Assembly

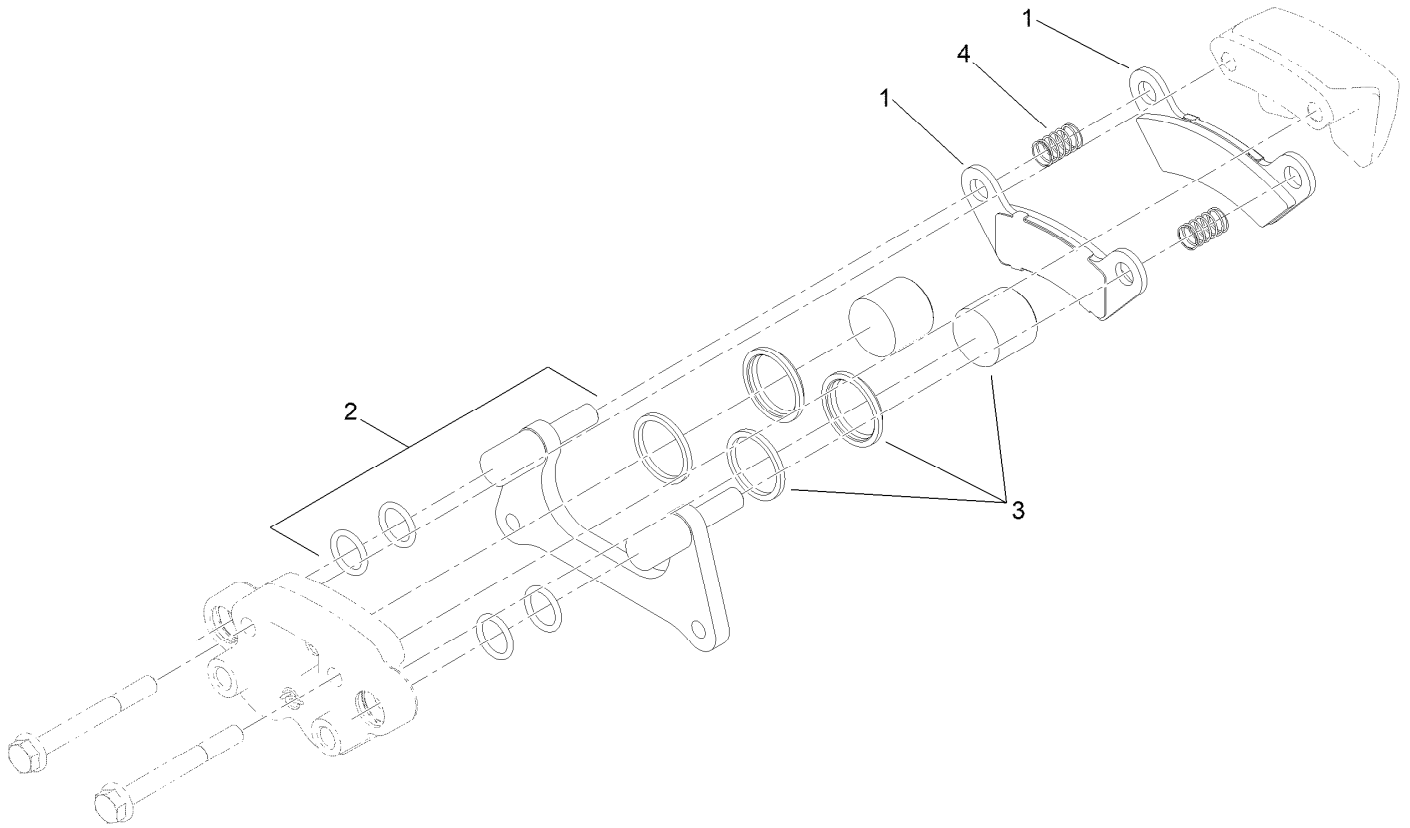
Ref.	Part Number	Qty.	Description	Ref.	Part Number	Qty.	Description
1	104-6782	1	Master Cylinder ASM	8:3	136-6328	2	Spring-Rattle, Anti ●
2	283-2	1	Pin-Clevis	9	144-5550	4	Screw-Spl
3	1-806003	1	Pin-Cotter	10	119-9509	2	Screw-Bleed
4	139-4474	4	Rotor-Brake	11	115-2341	8	Washer-Banjo
5	121-9671	16	Screw-HSBH	12	120-4875	4	Bolt-Flange, Banjo
6	161-1890	2	Brake Caliper ASM	14	127-7781	1	Brake Line-Front
7	140-2585	1	Brake Caliper ASM, LH	15	127-7782	1	Brake Line-Rear
7:1	140-2595	1	Brake Pad Service Kit (Rear, Qty 4)	16	3234-11	2	Screw-HHF
7:2	119-9509	1	Screw-Bleed	17	3290-357	2	Nut-HSF
7:3	136-6328	2	Spring-Rattle, Anti ●	19	131-8398	2	Cable-Brake, Park
8	140-2590	1	Brake Caliper ASM, RH	20	32180-030	4	Clip-Tie
8:1	140-2595	1	Brake Pad Service Kit (Rear, Qty 4)	21	49-2040	2	Screw-HWHTF
8:2	119-9509	1	Screw-Bleed	22	3290-378	1	Tie-Cable
				24	3234-25	4	Screw-HHF

● Not illustrated



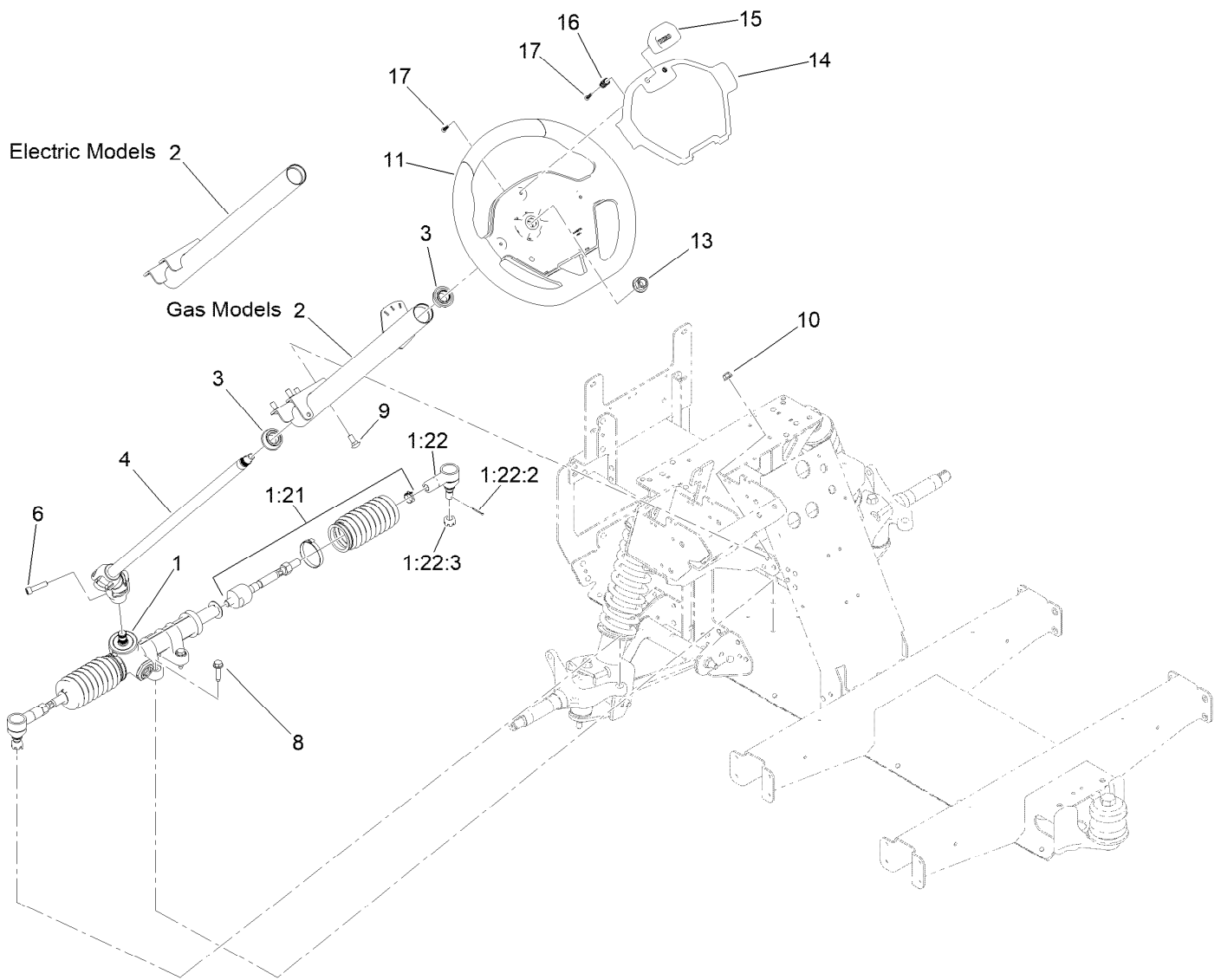
Master Cylinder Assembly No. 104-6782

Ref.	Part Number	Qty.	Description
1	104-6845	1	Reservoir ASM
1:1	92-4112	1	Cap ASM
2	93-8971	2	Seal-Port, Flange
3	92-4103	1	Pin-Stop
4	92-4102	1	Secondary Piston ASM
5	92-4110	1	Clevis
6	21-0360	1	Nut-Hex
7	94-5209	1	Cover-Dust
8	94-5210	1	Rod-Push
9	92-4109	1	Ring-Snap
10	92-4108	1	Retainer-Washer
11	92-4101	1	Primary Piston ASM



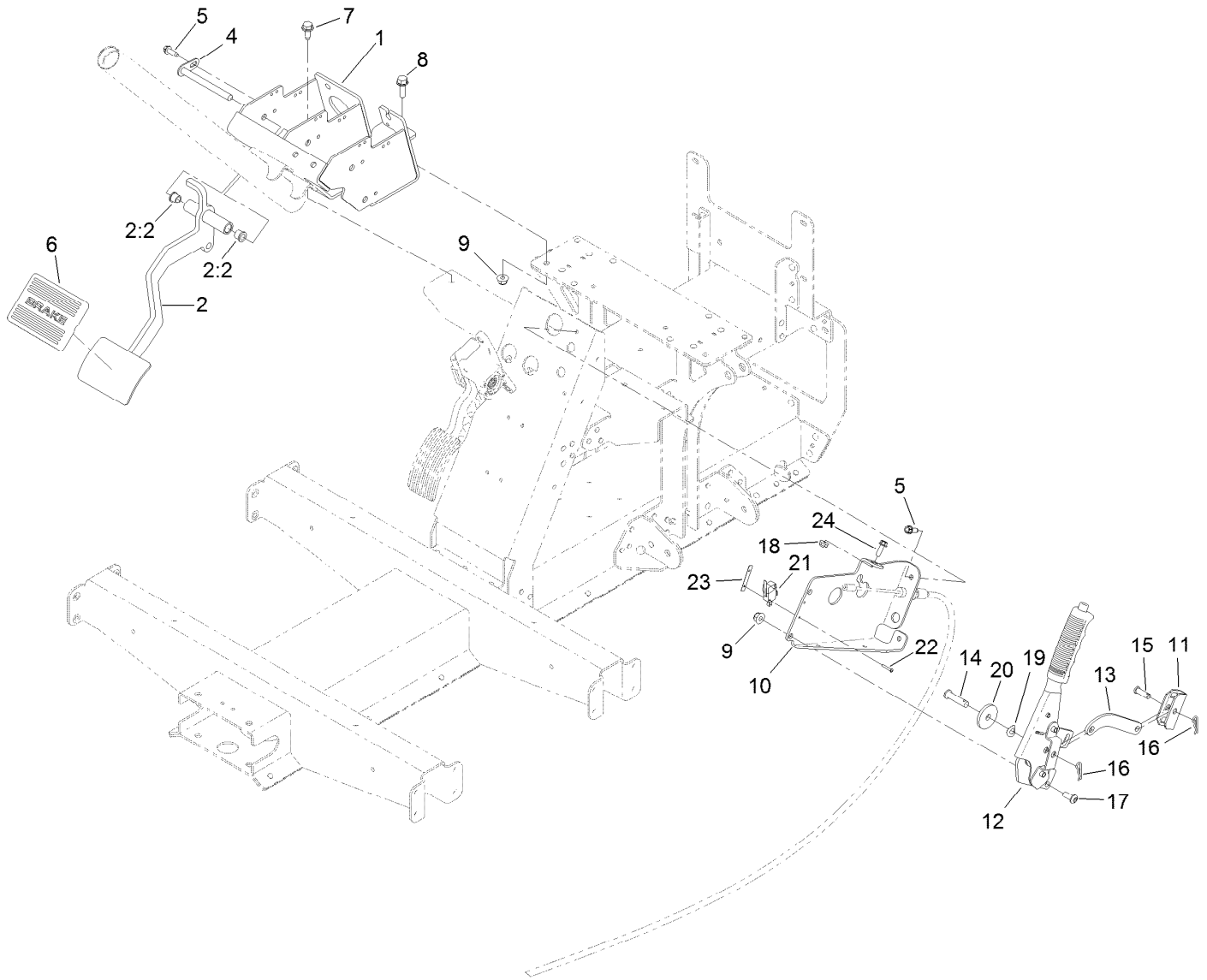
Brake Caliper Assembly No. 161-1890

<i>Ref.</i>	<i>Part Number</i>	<i>Qty.</i>	<i>Description</i>
1	140-2580	1	Brake Pad Service Kit (Front, Qty 4)
2	119-9511	1	Bracket Kit
3	133-0614	1	Piston Kit
4	161-1889	2	Spring-Compression, Service



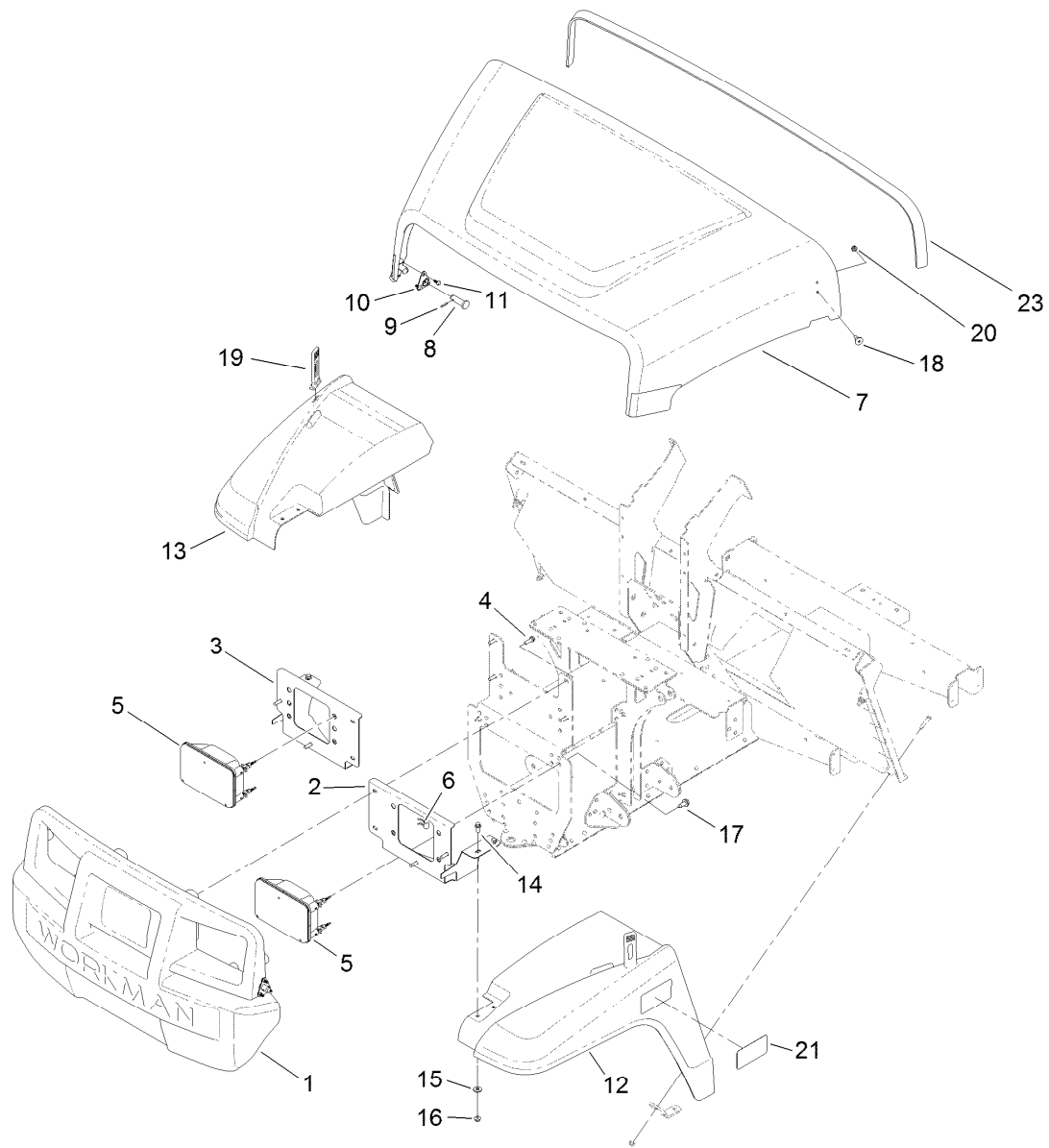
Steering Assembly

<i>Ref.</i>	<i>Part Number</i>	<i>Qty.</i>	<i>Description</i>	<i>Ref.</i>	<i>Part Number</i>	<i>Qty.</i>	<i>Description</i>
1	138-0114	1	Steering Rack ASM	8	32144-49	4	Screw-HWHTF
1:21	140-4591	1	Kit-Tie Rod ASM, Gtx	9	3230-1	4	Bolt-CARR
1:22	140-4592	1	Kit-Rod End ASM	10	104-8300	4	Nut-HF, NI
1:22:2	3272-42	1	Pin-Cotter	11	144-5570	1	Steering Wheel ASM
1:22:3	140-2493	1	Nut-Hex, Slotted	13	99-5107	1	Nut-Lock
2	145-2056	1	Steering Column ASM, Gtx Electric	14	144-5567	1	Cover-Wheel, Steering
3	112-3262	2	Bearing	15	144-5566	1	Clip-Wheel, Steering
4	145-2050	1	Steering Shaft ASM	16	144-5537	2	Spring-Compression
6	145-7145	1	Screw-HSH,Lock	17	94-4496	5	Screw-PPH



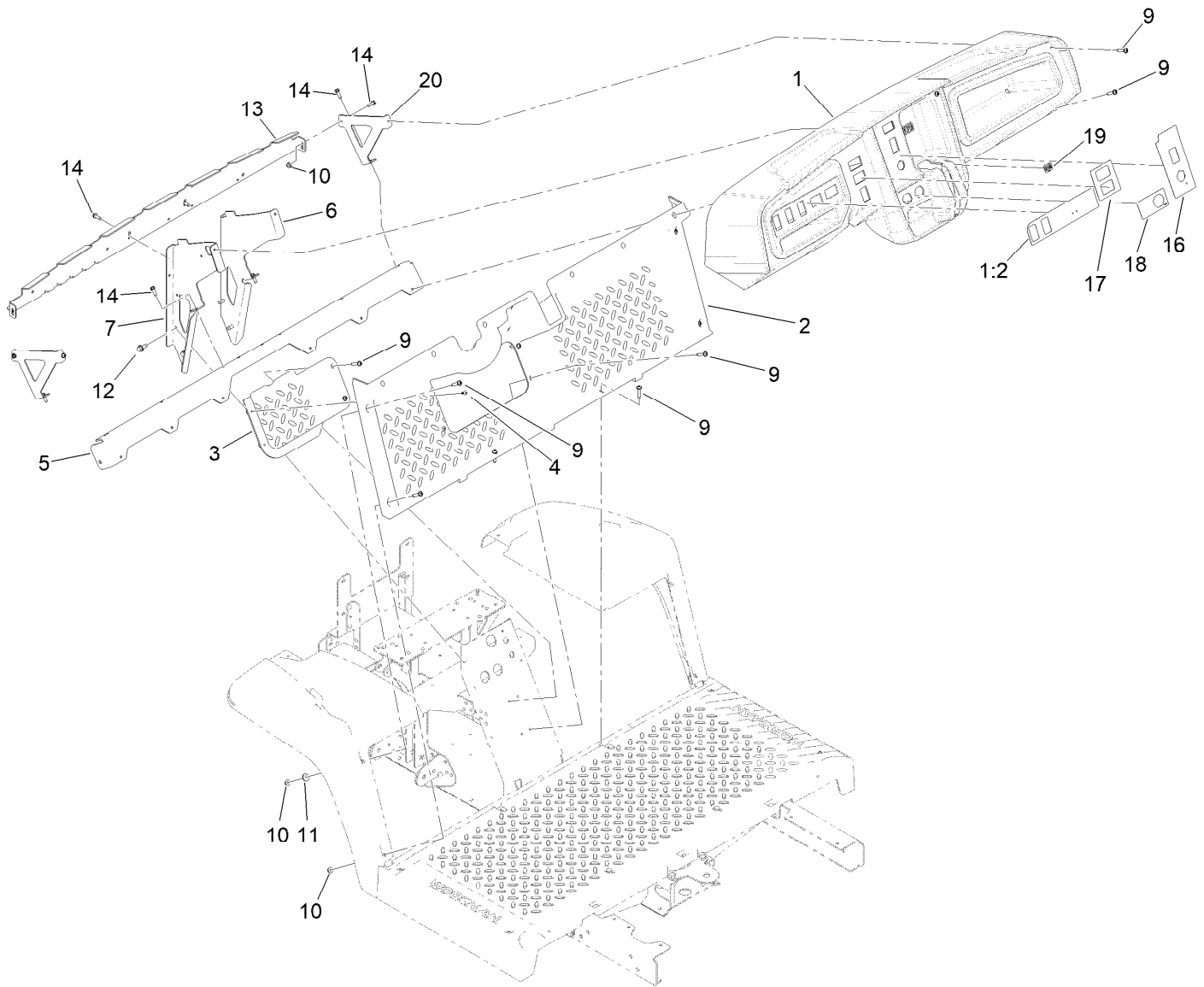
Pedal and Control Assembly

<i>Ref.</i>	<i>Part Number</i>	<i>Qty.</i>	<i>Description</i>	<i>Ref.</i>	<i>Part Number</i>	<i>Qty.</i>	<i>Description</i>
1	127-8817-03	1	Mount-Pedal	13	144-0516	1	Link-Park, Brake
2	138-9385	1	Brake Pedal ASM	14	283-10	1	Pin-Clevis
2:2	256-116	2	Bushing-Flange	15	1-808280	1	Pin-Clevis
4	131-8459	1	Shaft-Pivot	16	1-806003	2	Pin-Cotter
5	49-2040	3	Screw-HWHTF	17	3274-55	2	Screw-HSBH
6	7-3900	1	Pad-Brake	18	104-7201	1	Nut-HF, NI
7	32144-70	2	Screw-HWHTF	19	121-4605	1	Washer-Spring
8	3234-29	1	Screw-HHF	20	131-8496	1	Washer-Plain
9	104-8300	3	Nut-HF, NI	21	108-6496	1	Switch (W/Boot)
10	140-4836-03	1	Mount-Park Brake	22	3290-313	2	Screw-SPH
11	87-3480	1	Bracket-Equalizer, Cable	23	3290-354	1	Nut-Speed
12	131-8320	1	Lever-Brake, Park	24	115-5103	1	Screw-HHF



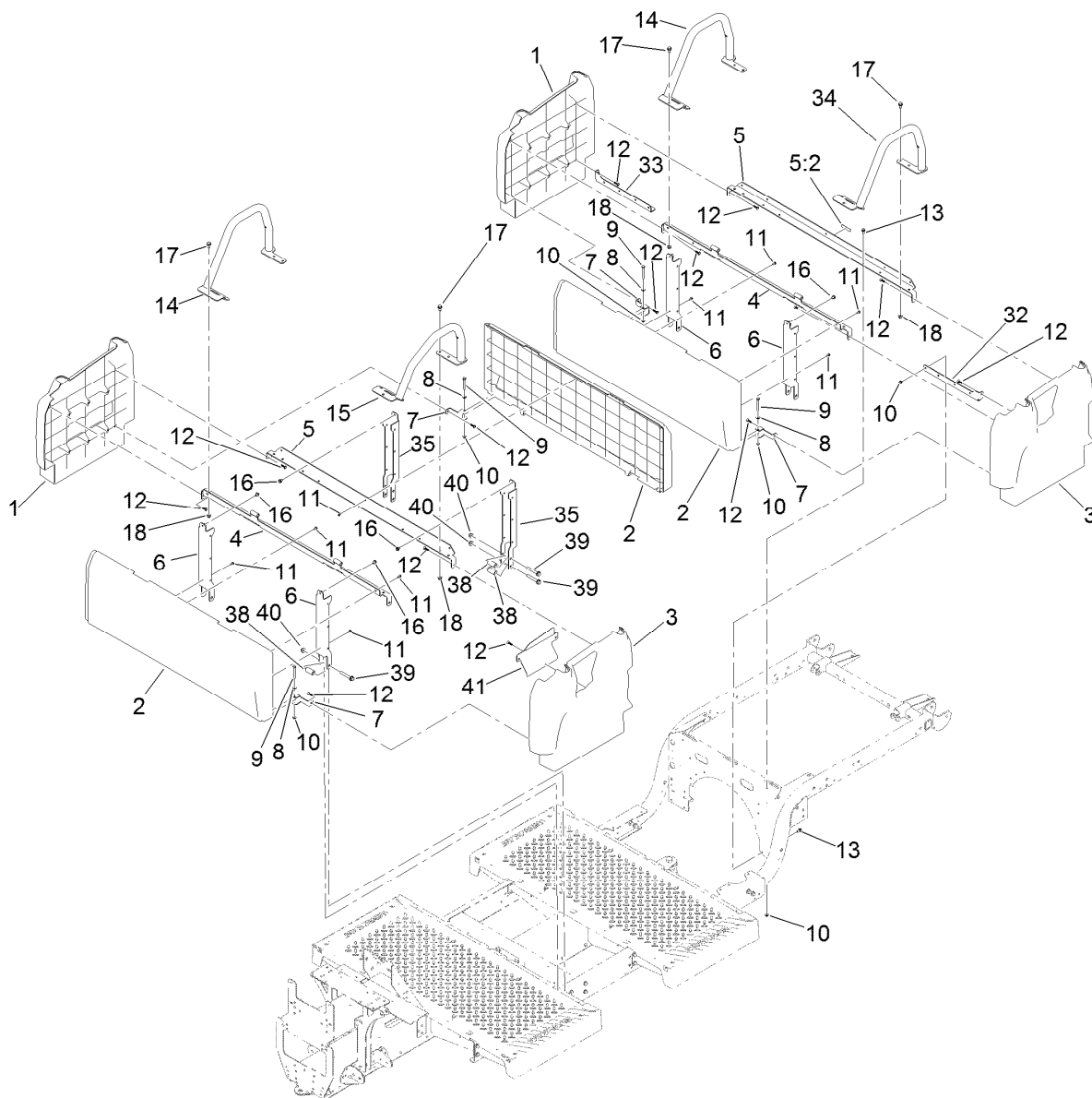
Hood and Fender Assembly

<i>Ref.</i>	<i>Part Number</i>	<i>Qty.</i>	<i>Description</i>	<i>Ref.</i>	<i>Part Number</i>	<i>Qty.</i>	<i>Description</i>
1	132-8530	1	Bumper	12	127-7771	1	Fender-Front, LH
2	131-8455-03	1	Bracket-Headlight, LH	13	127-7772	1	Fender-Front, RH
3	131-8456-03	1	Bracket-Headlight, RH	14	3234-33	4	Screw-HHF
4	46-8091	8	Screw-HWH	15	3256-2	4	Washer-Flat
5	138-9260	2	Headlight ASM	16	104-7201	4	Nut-HF, NI
6	115-2408	6	Clip-Speed	17	32144-70	2	Screw-HWHTF
7	136-6281	1	Hood	18	125-1122	2	Screw
8	117-5094	2	Pin-Clevis	19	131-8402	2	Strap-Down, Hold
9	32121-50	2	Pin-Spring	20	3296-56	2	Nut-Lock, NI
10	112-3308	2	Retainer-Pin	21	131-8516	2	Decal-Fender
11	121-9605	6	Screw-HWH	23	133-7210	1	Seal-Trim, Hood



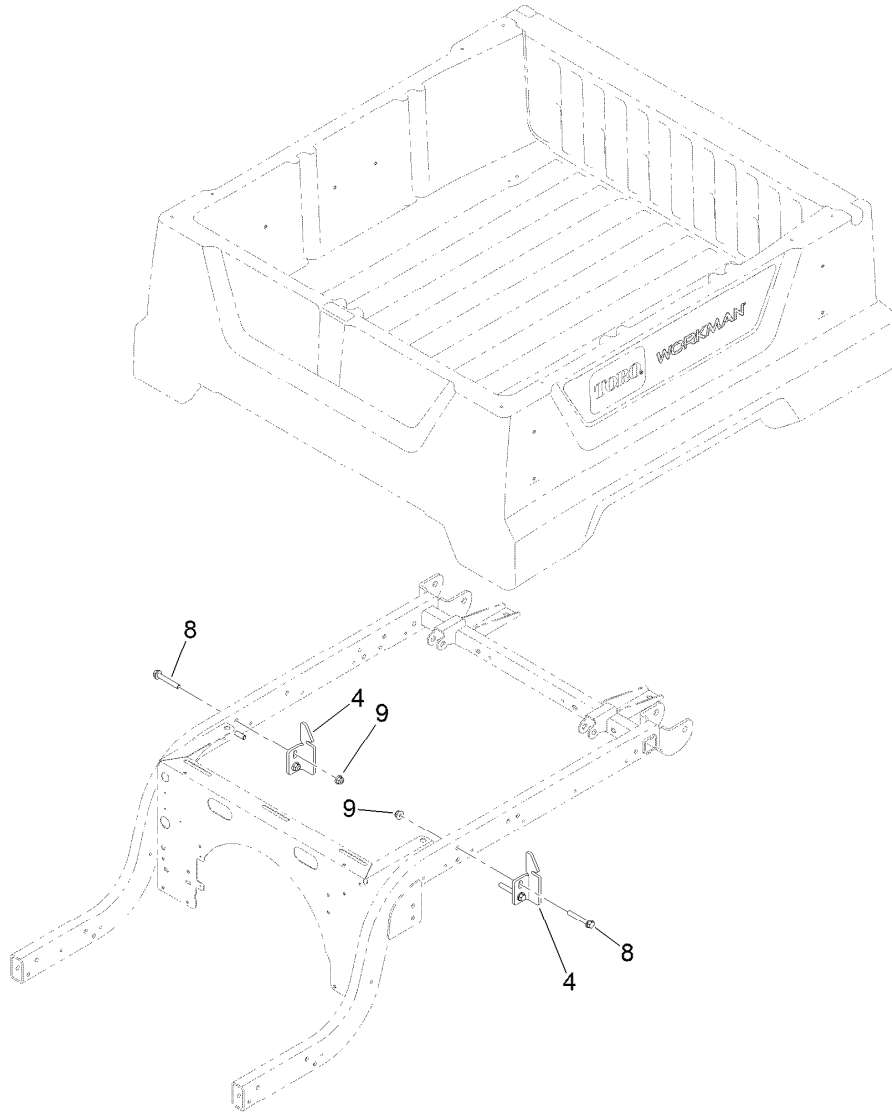
Dash Assembly

<i>Ref.</i>	<i>Part Number</i>	<i>Qty.</i>	<i>Description</i>	<i>Ref.</i>	<i>Part Number</i>	<i>Qty.</i>	<i>Description</i>
1	145-2099	1	Dash-Gtx	11	3256-2	2	Washer-Flat
1:2	145-2261	1	Decal-Dashboard, Gtx	12	32144-70	4	Screw-HWHTF
2	147-8212	1	Footboard	13	131-8568-03	1	Reinforcement-Dash
3	127-7847	1	Cover-Footboard	14	49-2040	8	Screw-HWHTF
4	107-7461	2	Screw-Plastite	16	145-2263	1	Decal-Control Panel, Electric
5	127-7831-03	1	Angle	17	145-2264	1	Decal-Dash Center, Electric
6	131-8336-03	1	Bracket-Dash, RH	18	131-8493	1	Decal-USB
7	145-2094-03	1	Bracket-Dash, LH	19	131-8506	1	Decal-Status, Machine
9	132-6777	20	Screw-Twh Thd Roll	20	131-8569-03	2	Bracket-Dash, Side
10	104-7201	6	Nut-HF, NI				



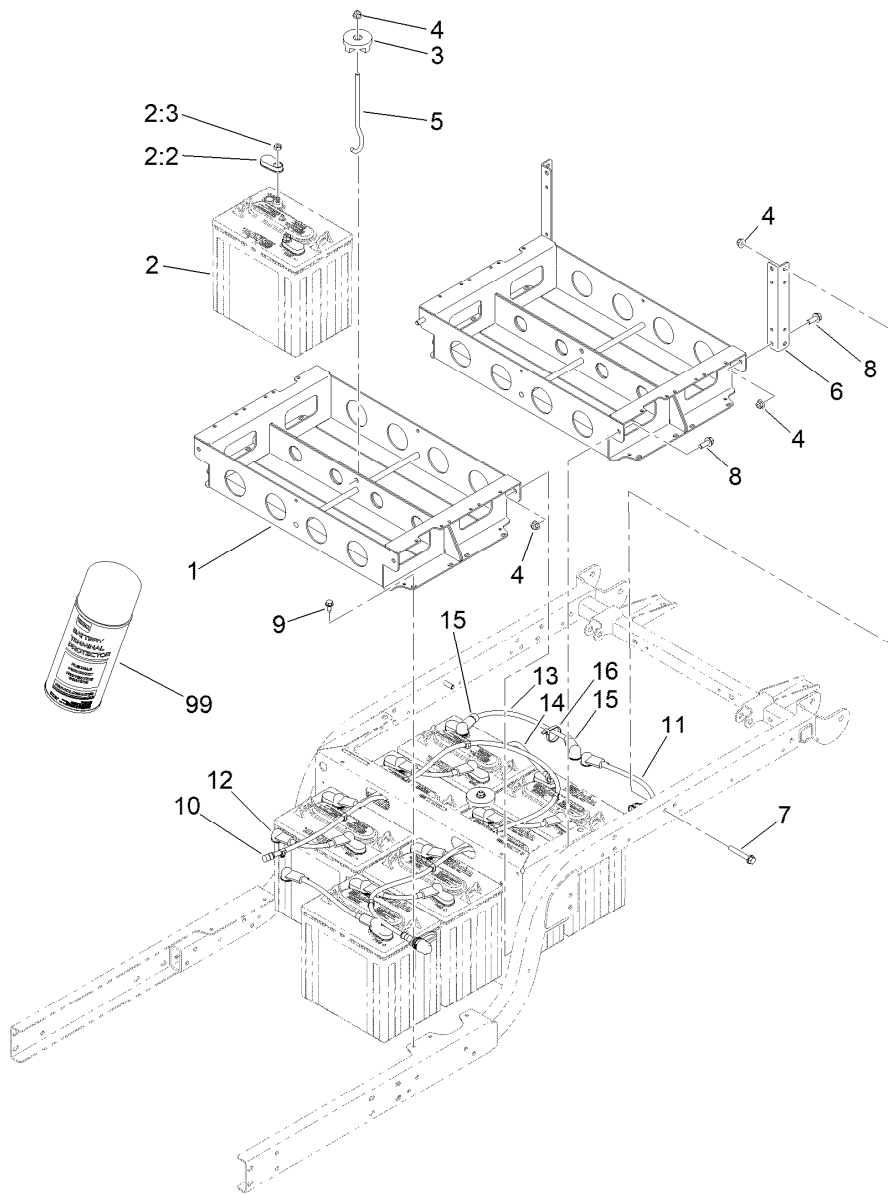
Seatbase Assembly

<i>Ref.</i>	<i>Part Number</i>	<i>Qty.</i>	<i>Description</i>	<i>Ref.</i>	<i>Part Number</i>	<i>Qty.</i>	<i>Description</i>
1	127-7805	2	Side-Base, Seat (RH)	14	145-2075-05	2	Hip Restraint ASM, RH
2	133-7188	3	Panel-Base, Seat	15	145-2070-05	1	Hip Restraint ASM, LH
3	127-7807	2	Side-Base, Seat (LH)	16	46-6810	6	Screw And Washer ASM
4	133-7345-03	2	Support-Seat	17	32144-70	12	Screw-HWHTF
5	137-6991	1	Seat Support ASM	18	104-8300	12	Nut-HF, NI
5:2	120-9570	1	Decal-Warning	32	127-7842-03	1	Bracket-Support, Side (LH)
6	127-7841-03	4	Channel-Support, Seat	33	127-7843-03	1	Bracket-Support, Side (RH)
7	127-7844-03	6	Clamp-Plate, Floor	34	147-3613-05	1	Restraint-Hip, LH
8	3256-22	6	Washer-Flat	35	131-8355-03	2	Channel-Support, Seat
9	321-18	6	Screw-HH	38	131-8452	6	Spacer
10	104-7201	12	Nut-HF, NI	39	3234-39	6	Screw-HHF
11	112-6349	13	Screw-HWH	40	104-8301	6	Nut-HF, NI
12	120-2349	19	Screw	41	131-8525-05	1	Cover-Opening
13	3234-33	6	Screw-HHF				



Cargo Bed Assembly

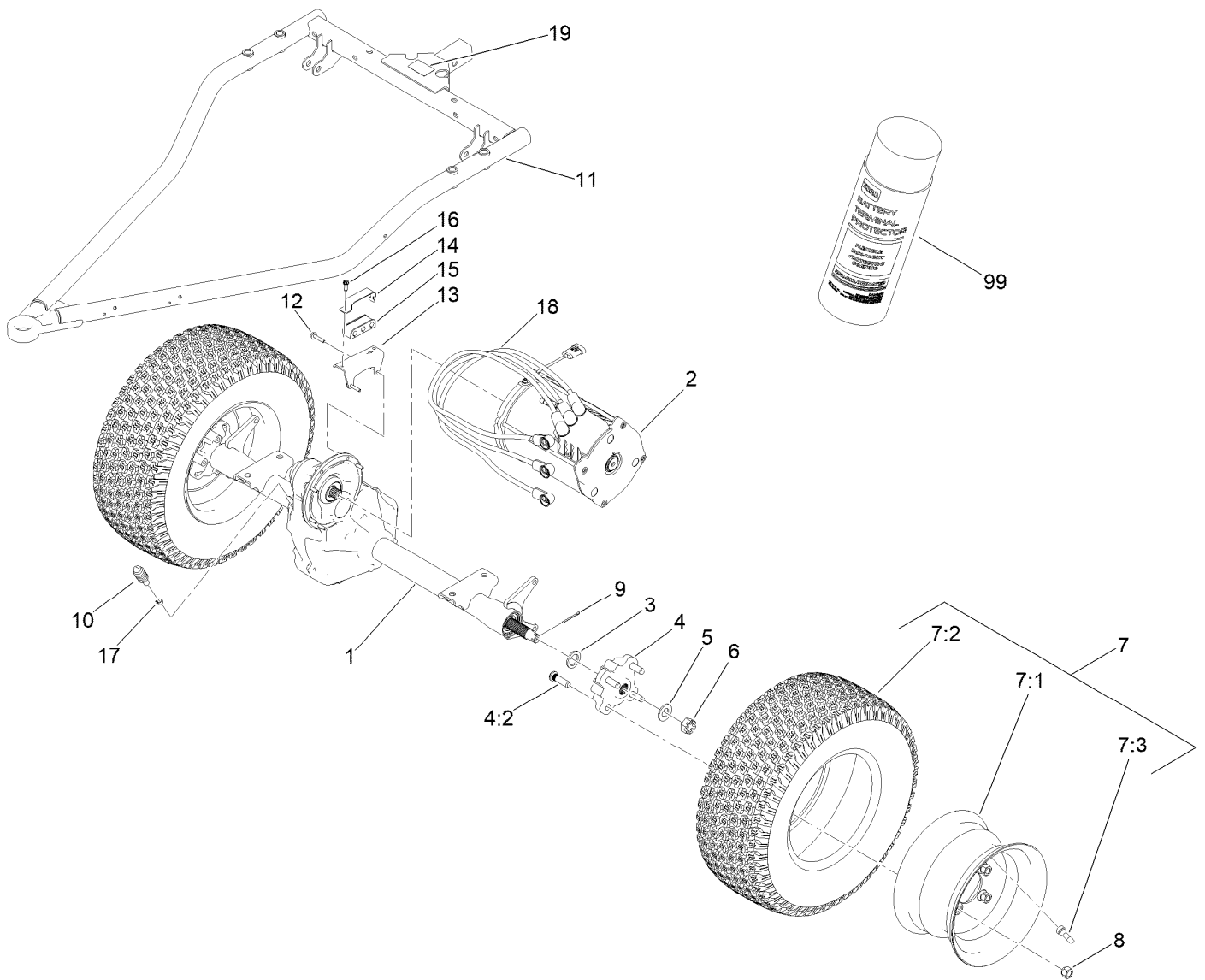
<i>Ref.</i>	<i>Part Number</i>	<i>Qty.</i>	<i>Description</i>
4	127-7428-03	2	Striker-Latch, Bed
8	3234-39	4	Screw-HHF
9	104-8301	4	Nut-HF, NI



Battery Assembly

Ref.	Part Number	Qty.	Description	Ref.	Part Number	Qty.	Description
1	131-8300-03	2	Tray-Battery	9	32144-70	4	Screw-HWHTF
2		8	Battery-Lead Acid, Wet ●	10	131-8491	1	Watering Hose ASM
2:2	107-0289	2	Cover-Terminal, Battery	11	107-0739	2	Cable-Battery, Positive
2:3	107-0388	2	Nut	12	107-0738	6	Cable-Battery, Rd ASM
3	104-7149	2	Hold Down ASM	13	122-0750	1	Cable-Battery, Positive
4	104-8301	8	Nut-HF, NI	14	94-6168	1	Wire-Ground, Battery
5	131-8387	2	Rod-Battery Hold Down	15	32180-009	2	Insulator-Lug, Red
6	131-8302-03	2	Bracket-Box, Battery	16	3290-378	2	Tie-Cable
7	3234-39	2	Screw-HHF	99	107-0392	1	Protection-Terminal, Aerosol
8	3234-42	4	Screw-HHF				

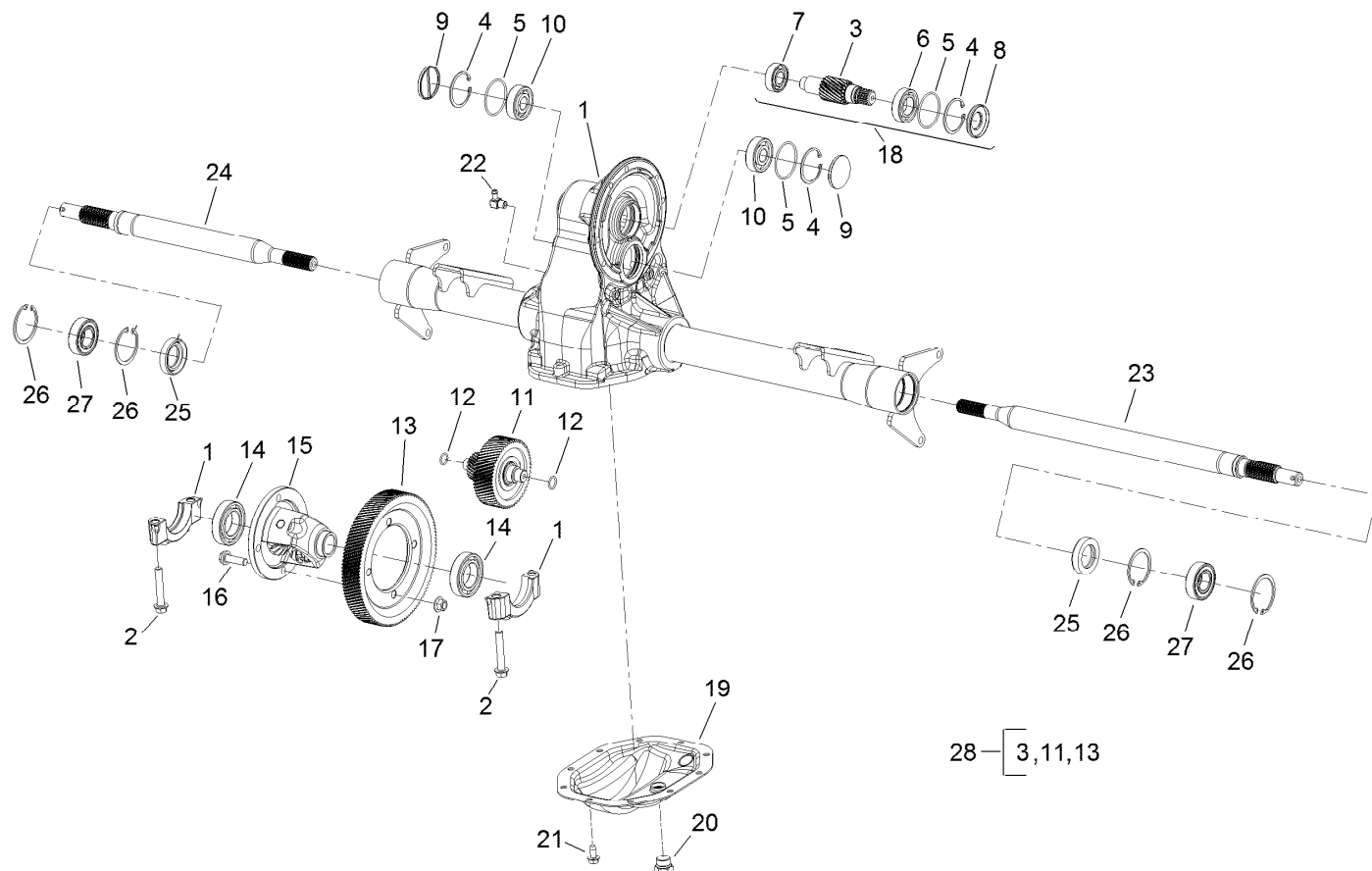
● Not serviced separately



Rear Axle and Motor Assembly

Ref.	Part Number	Qty.	Description
1	136-6340	1	Transaxle ASM
2	137-6936	1	Motor-AC
3	131-8570	2	Spacer-Hardened
4	140-9951	2	Rear Hub ASM
4:2	10-6830	4	Stud-Type, Drive
5	92-5836	2	Washer
6	32136-5	2	Nut-Hex, Slotted
7	147-2761	2	Wheel And Tire ASM
7:1	147-2762	1	Wheel
7:2	139-4475	1	Tire-20 X 8.00-10
7:3	232-27	1	Stem-Valve
8	242-50	8	Nut-Lug
9	1-806800	2	Pin-Cotter

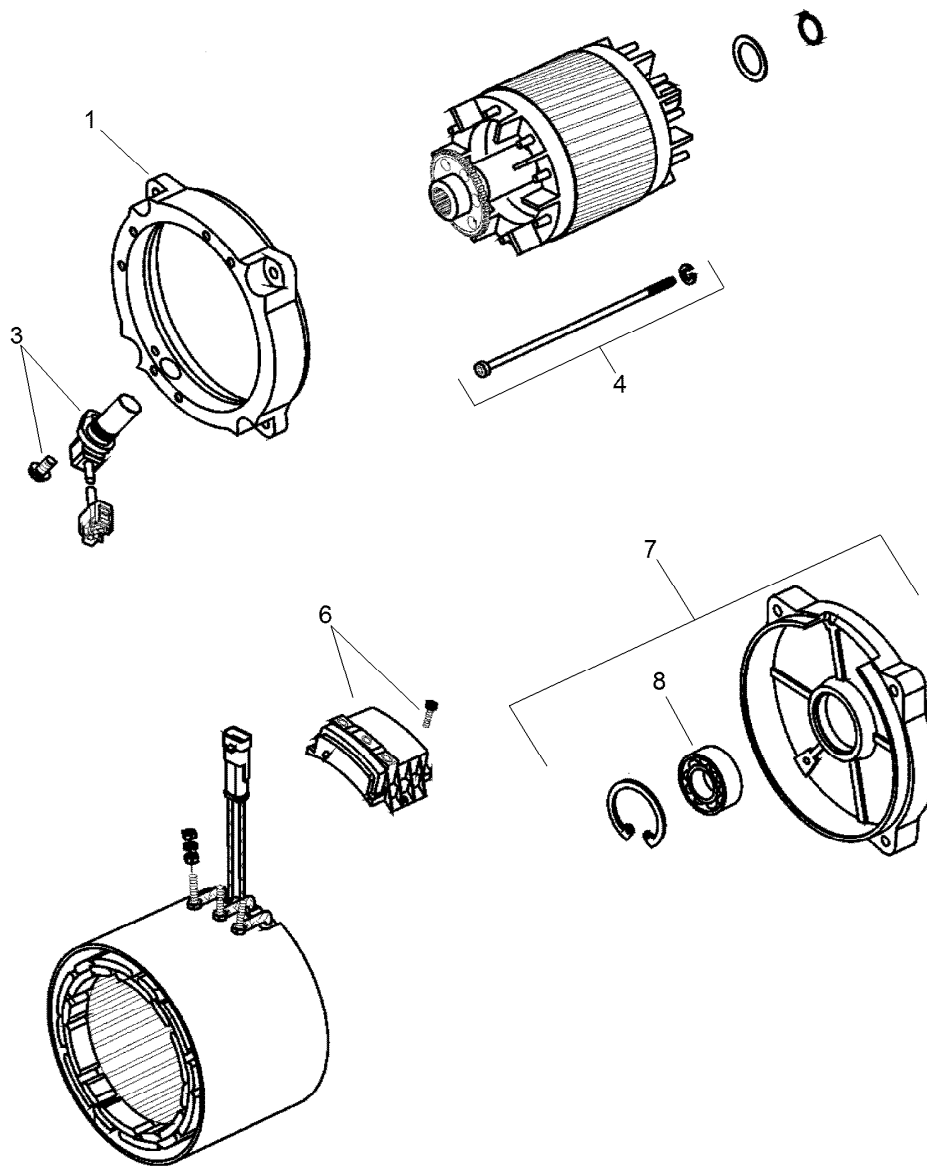
Ref.	Part Number	Qty.	Description
10	127-8859	1	Bellows-Breather
11	140-2568-03	1	Gtx-E Swing Arm ASM [black]
12	33103-030	6	Screw-HHF
13	131-8416	1	Bracket-Cable
14	131-8482	1	Retainer-Isolator
15	131-8420	1	Isolator-Clamp
16	49-2040	1	Screw-HWHTF
17	2412-146	1	Clamp-Hose
18	122-0743	3	Cable-Battery, Rd ASM
19	137-9984	1	Decal-Load, Towing
99	107-0392	1	Protection-Terminal, Aerosol



Transaxle Assembly No. 136-6340

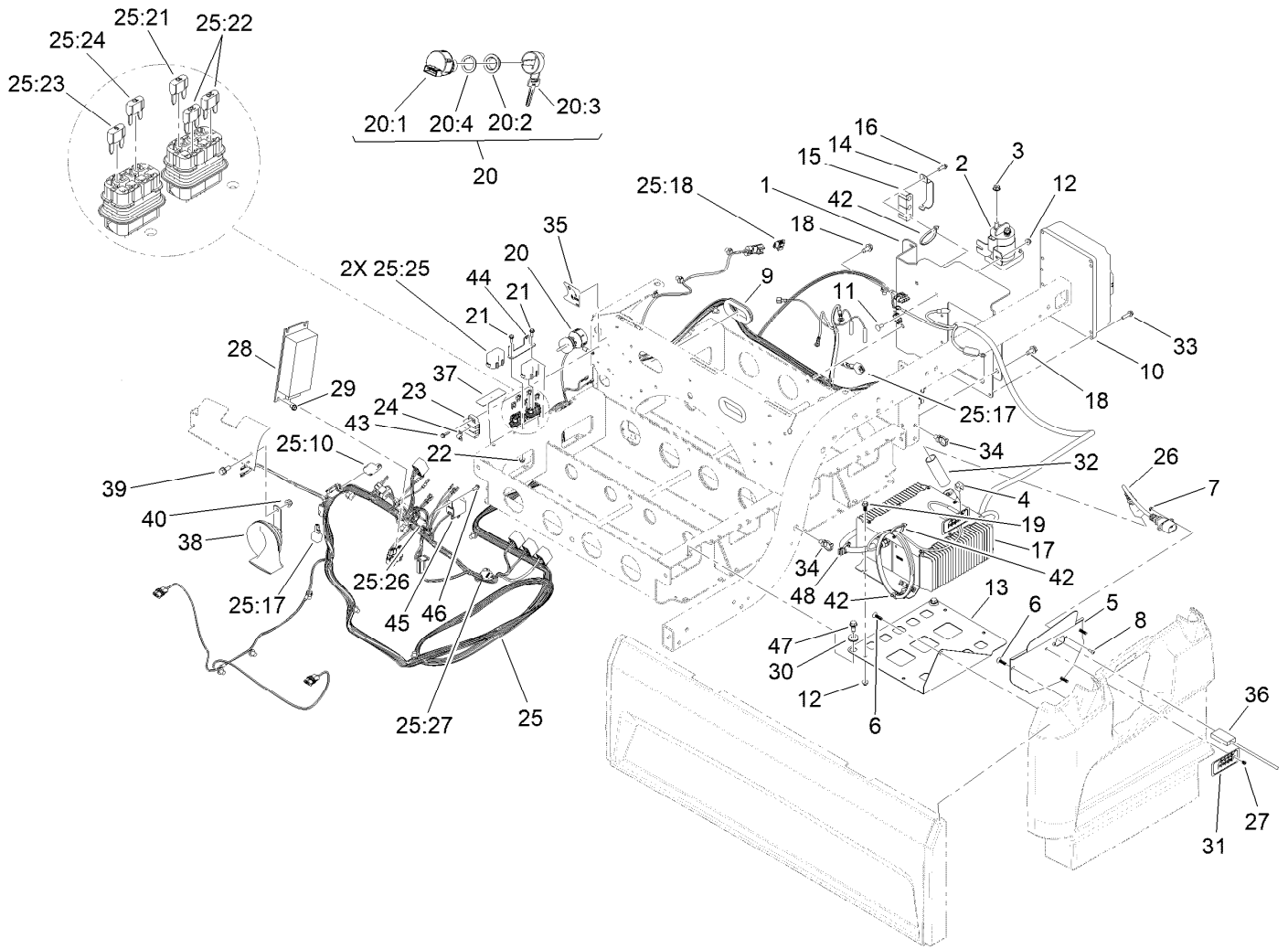
Ref.	Part Number	Qty.	Description
1	133-2447	1	Housing-Axle
2	133-2448	4	Bolt-Cap, Bearing
3	133-2485	1	Gear-Input
4	133-2450	3	Ring-Retaining
5	133-2451	3	O-Ring
6	133-2452	1	Bearing-Ball
7	133-2453	1	Bearing-Ball
8	133-2454	1	Seal-Oil
9	133-2455	2	Plug-Cap, End
10	133-2456	2	Bearing-Ball
11	133-2486	1	Intermediate Gear ASM
12	133-2458	2	O-Ring
13	133-2459	1	Gear-Drive, Final
14	133-2460	2	Bearing-Ball

Ref.	Part Number	Qty.	Description
15	133-2461	1	Differential ASM
16	133-2462	4	Bolt-HHF
17	133-2463	4	Nut-Lock
18	133-2487	1	Input Gear Kit
19	136-6341	1	Plate-Cover
20	133-2466	1	Plug-HH
21	133-2467	10	Screw-Tapping
22	133-2468	1	Elbow-Hose
23	133-2469	1	Shaft-Axle, LH
24	133-2470	1	Shaft-Axle, RH
25	112-3140	2	Seal-Oil
26	133-2472	4	Ring-Retaining
27	108-2425	2	Bearing-Ball
28	108-2409	1	Internal Gear Kit



Electric Motor Assembly No. 137-6936

Ref.	Part Number	Qty.	Description
1	132-4924	1	Bracket-End, Drive
3	132-4925	1	Sensor
4	132-4926	1	Screw
6	132-4927	1	Plate-Connection
7	132-4928	1	Bracket-End, Rear
8	132-4929	1	Bearing

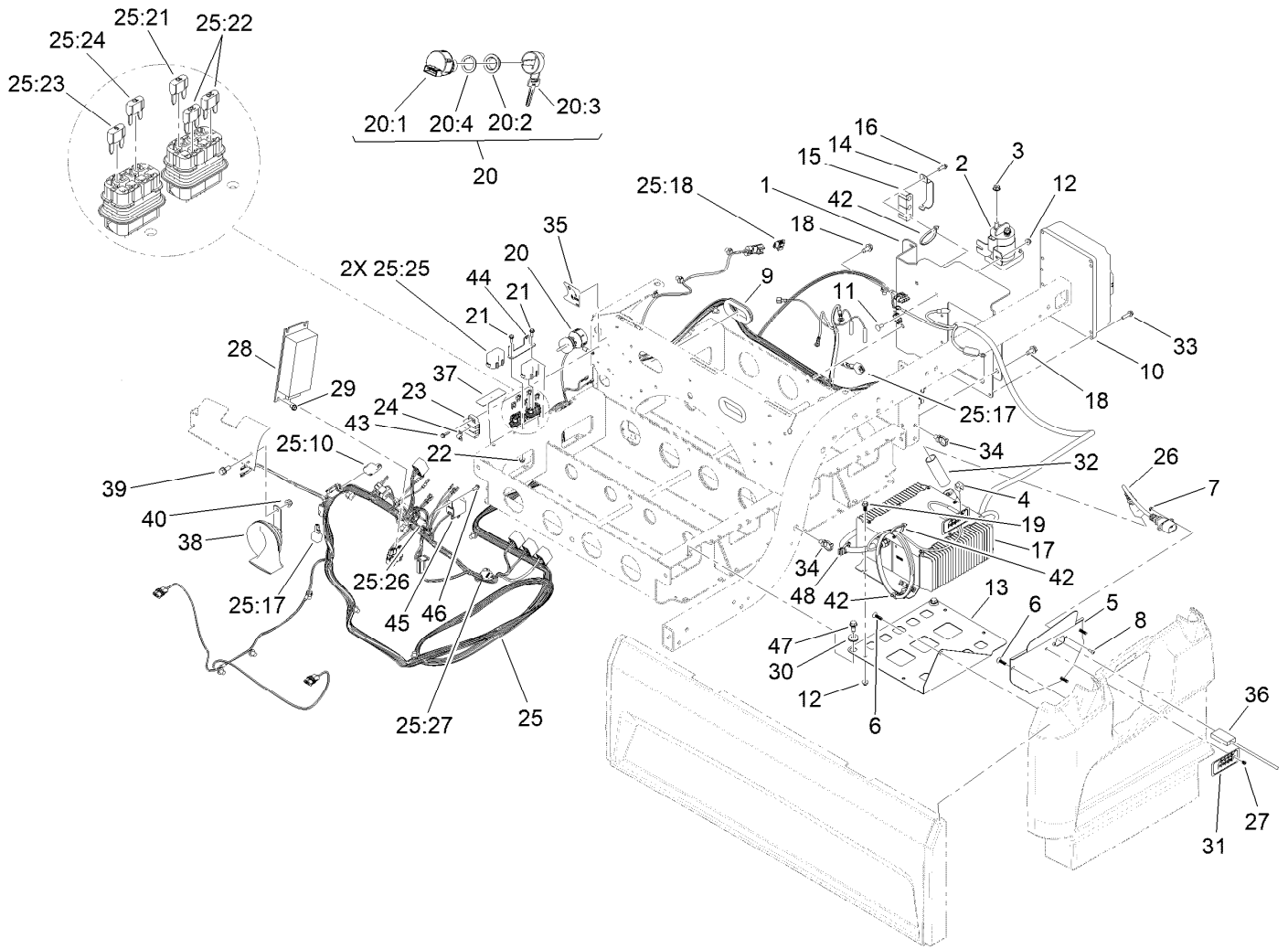


Controller Assembly

Ref.	Part Number	Qty.	Description	Ref.	Part Number	Qty.	Description
1	131-8415-03	1	Bracket-Controller	17	131-8490	1	Charger-48V Onboard
2	104-7136	1	Contactora-Trombetta	18	32144-70	3	Screw-HWHTF
3	107-0380	2	Nut-HF	19	99-6810	4	Screw-HHF
4	32180-082	1	Clip-Edge W/Tie, Perpendicular	20	110-2580	1	Switch-Key, Supervisor
5	140-2578-05	1	Bracket-Mounting, Charger Cord	20:1		1	Switch-Key ■
6	120-2349	4	Screw	20:2	108-8660	1	Nut-Mounting
7	3296-54	2	Nut-Lock	20:3	110-5221	1	Set-Key, Supervisor
8	3250-26	2	Screw-PPH	20:4	108-8659	1	Washer-Backup
9	240-12	2	Grommet-Rubber	21	32105-23	2	Screw
10	137-9898	1	Controller-Sevcon	22	3290-148	2	Nut-HF
11	3229-11	2	Screw-CARR	23	42862	1	Block-Terminal, Ground
12	104-7201	6	Nut-HF, NI	24	42863	1	Strip-Jumper
13	140-2598-03	1	Bracket-Mounting, Charger	25	122-2487	1	Harness-Wire, Gtx-E, Lead Acid, Main
14	131-8482	1	Retainer-Isolator	25:10	32180-156	1	Cap-Plug, 6 Way
15	131-8420	1	Isolator-Clamp	25:17	100-4918	2	Diode
16	49-2040	1	Screw-HWHTF	25:18	32160-092	1	Connector-Mp280, 2F
				25:21	121-8880	1	Fuse-Mini Blade, 10 Amp

● Not illustrated

■ Not serviced separately

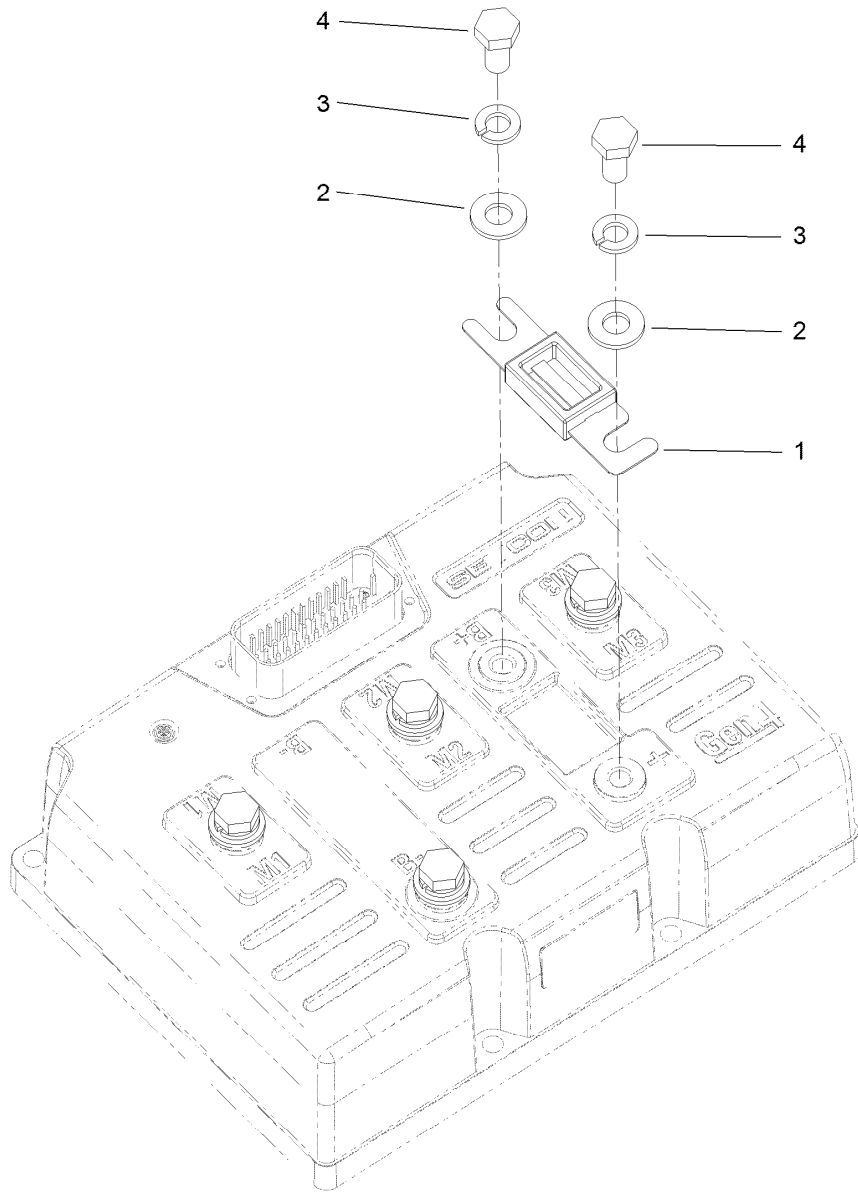


Controller Assembly (continued)

Ref.	Part Number	Qty.	Description	Ref.	Part Number	Qty.	Description
25:22	121-8882	2	Fuse-Mini Blade, 20 Amp	34	32180-030	3	Clip-Tie
25:23	121-8864	1	Fuse-Mini Blade, 5 Amp	35	131-8527	1	Decal-Mode
25:24	121-8866	1	Fuse-Mini Blade, 10 Amp	36	107-0382	1	Powercord-AC, Europe
25:25	32180-195	2	Cover-Cooper-Bussmann, Cfh (Short)	36	107-0383	1	Powercord-AC, U.K.
25:26	32180-282	1	Resistor-120 Ohm	36	107-0384	1	Powercord-AC
25:27	32180-089	1	Cap-Plug, 3 Way	37	145-2273	1	Decal-Fuse Block 48V
25:28	32180-101	1	Cover-Fuse, Single ●	38	107-0358	1	Horn
26	131-8497	1	Cordset	39	3234-5	1	Screw-HHF
27	131-8499	1	Holder-LED	40	104-8300	1	Nut-HF, NI
28	137-7952	1	Converter-DC-DC	42	3290-378	3	Tie-Cable
29	99-8445	2	Screw-HWH	43	100-4351	2	Screw-HWH
30	109-0023	2	Grommet	44	138-9299	1	Bracket-Fuse Block
31	131-8495	1	Decal-Function, Charger	45	122-3200	1	Relay
32	107-0341	1	Tube-Shrink, Heat	46	32144-1	1	Screw-Taptite
33	32144-86	4	Screw-HWHTF	47	126-4424	2	Screw-Shoulder
				48	32180-225	1	Clip-Edge, Parallel W/Tie

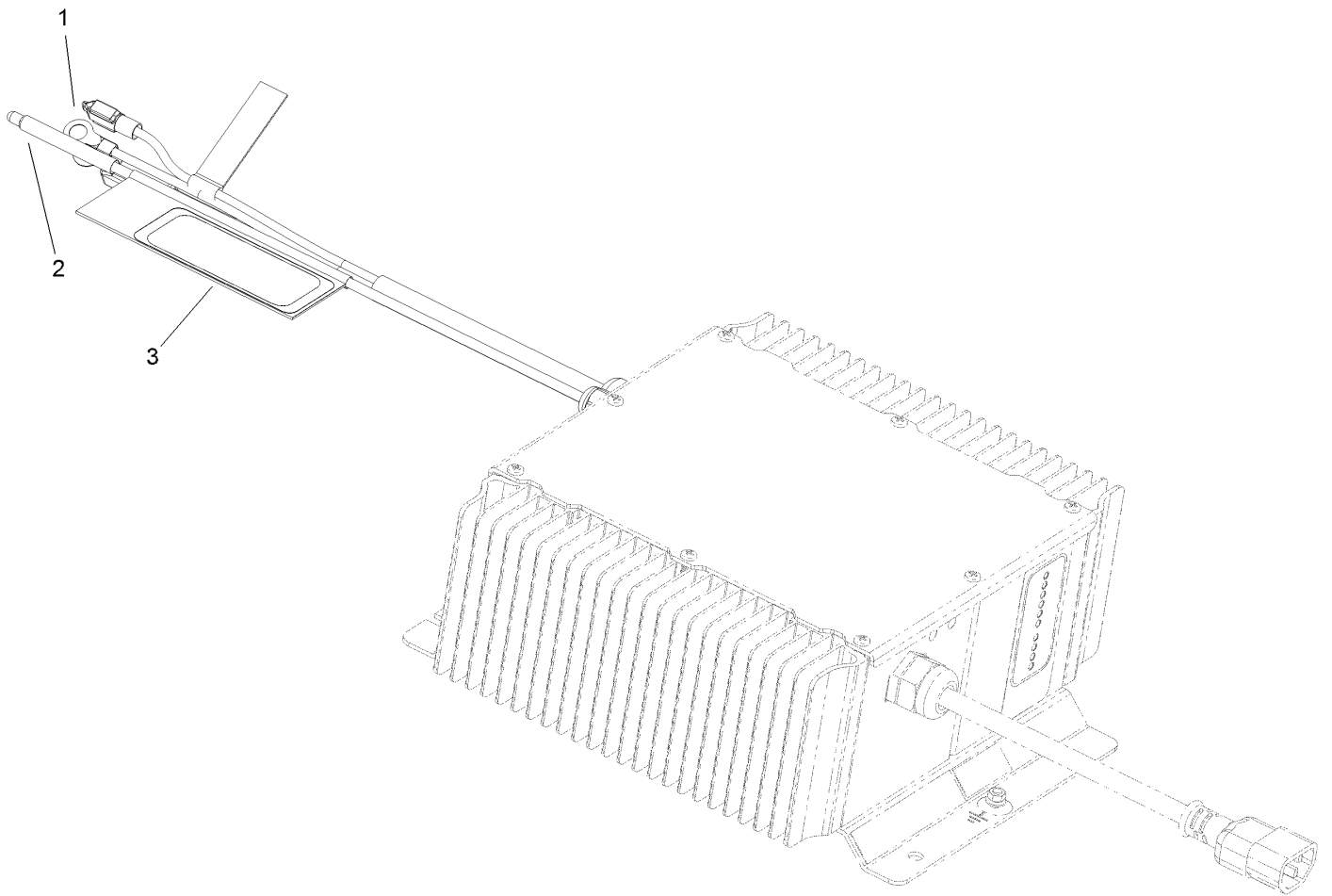
● Not illustrated

■ Not serviced separately



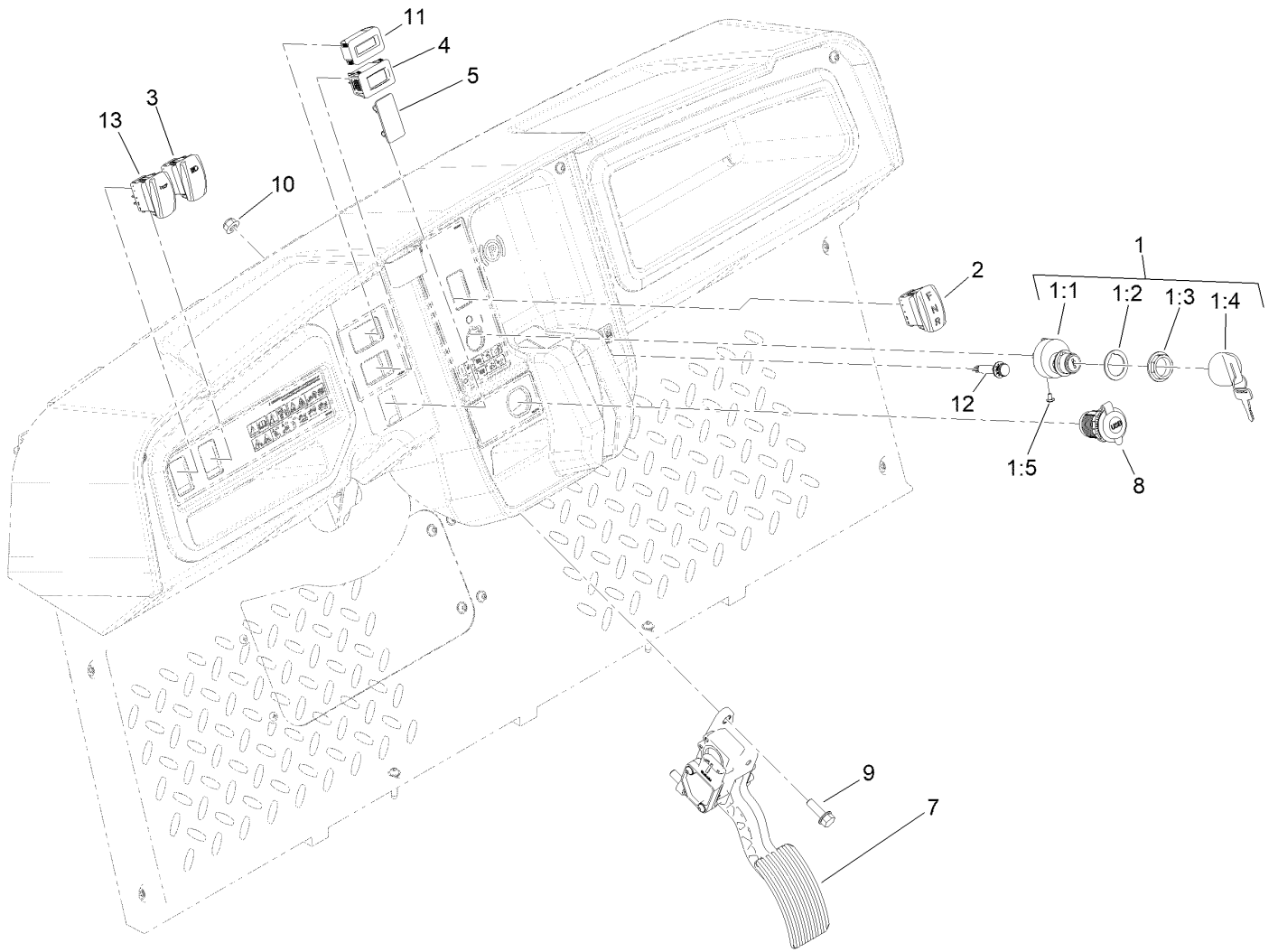
Sevcon Controller Assembly No. 137-9898

<i>Ref.</i>	<i>Part Number</i>	<i>Qty.</i>	<i>Description</i>
1	131-8494	1	Fuse-425 Amp
2	33094-00	6	Washer-Plain
3	3253-4	6	Washer-Lock
4	33114-016	6	Screw-HH



Onboard Charger Assembly No. 131-8490

<i>Ref.</i>	<i>Part Number</i>	<i>Qty.</i>	<i>Description</i>
1	131-8511	1	Thermister Repair Kit
2	131-8512	1	Charger Remote LED
3	131-8495	1	Decal-Function, Charger



Accelerator Pedal and Key Switch Assembly

Ref.	Part Number	Qty.	Description	Ref.	Part Number	Qty.	Description
1	120-4815	1	48V Key Switch ASM	5	99-7420	1	Plug-Hole
1:1		1	Switch-Key ●	7	121-9675	1	Pedal-Accelerator
1:2	108-8659	1	Washer-Backup	8	131-8388	1	Socket-USB
1:3	108-8660	1	Nut-Mounting	9	3234-29	3	Screw-HHF
1:4	106-5270	1	Ignition Key Set	10	104-8300	3	Nut-HF, NI
1:5	3250-28	3	Screw	11	131-8381	1	Gauge-Battery
2	144-2407	1	Switch-Rocker, On-Off-On	12	140-4603	1	Light-Indicator
3	144-2405	1	Switch-Rocker, On-None-On	13	144-2415	1	Switch-Rocker, (On)-None-Off
4	120-2244	1	Hourmeter				

● Not serviced separately

Attachments and Accessories

For 07412EX Workman GTX Electric Utility Vehicle with Extended Chassis

Product Name	Model/Part
Workman GTX 2-Person Canopy	07921
Workman GTX 4-Person Canopy	07922
Steel Cargo Bed Base, Workman GTX Series Utility Vehicle	07450
Steel Cargo Bed Solid Sides Kit, Workman GTX Series Utility Vehicle	07451
48V Electric Lift Kit.....	07143
Rear Attachment Receiver, Workman GTX Series Utility Vehicle with Steel Cargo Bed	07186
Brake and Signal LED Light Kit, Workman GTX Gasoline Utility Vehicle or Serial Number 404400000 and After Workman GTX Electric Utility Vehicle	140-4785
Brush Guard Kit	07145
LED Homologation Lamp Kit.....	147-2798
Front Hitch Kit, Workman GTX Series Utility Vehicles with Brush Guard	07146
Front Hitch Kit, Workman GTX or MDX Series Utility Vehicles without Brush Guard	07147
Side Bed Racking, Workman UTX/MDX/GTX.....	08148
Universal Wireless Hourmeter Kit	144-2436
Extended Bed Kit	07149
Storage Box Kit.....	07156
6in L-Track Kit.....	07158
Exterior Mirror Kit.....	130-5448
Hose Reel Mounting Kit	07027
Hand Pump Hose Asm	131-8522
Horn Kit.....	133-3017
Reverse Alarm Kit.....	131-8549
Power Point Kit	131-8550
Power Converter Kit.....	133-0959
Trash Can Mounting Kit	07028
Bed Rack Kit	07031
Cab Kit.....	07142
Canopy Kit, Multi-passenger Workman GTX Utility Vehicle	07141
Mount-Ball	133-7116
48V 6 Foot Bed Electric Lift Kit.....	07168
Tire-20 8.00-10	116-7333
Cab Mount Kit, Workman GTX Utility Vehicle with Extended Flatbed	133-7198
Service Hood ASM	133-7209
ROPS Kit	07032
Cargo Bed Kit	07046
Bench Seat Base Kit.....	07047
Bucket Seat Base Kit.....	07048
Extension Kit.....	07049
Small Bedrack Mount Grip Kit.....	136-6311
Large Bedrack Mount Grip Kit.....	136-6312
Deionizer-Water.....	137-2884
Plate-Skid	137-2887-03
Glove Box Cover Kit	137-2883
Steel Bed Side Kit.....	07180
Tube Sides Kit	07181

Attachments and Accessories (continued)

Fold-Down Rear Facing Seat.....	07123
Door Mount Mirror Kit.....	136-1997
Tire/Wheel Asm	131-8319
Van Box	07440
Folding Windshield Kit, Workman GTX Utility Vehicle with Canopy	07923
Tire	94-5236
Interior Mirror Kit.....	130-5449
Beacon Kit	130-5484
Work Light Kit	130-5485
Windshield Washer Fluid Kit, 2015 and after Workman MD/HD Series Utility Vehicle	130-5615
Small Seat Cover	131-6690
Wide Angle Mirror Kit, Utility Vehicle with Canopy	133-1009
Wide Angle Mirror Kit.....	133-1038
Bracket-Mount, Radio	133-7111-03
Wireless Hourmeter Finish Kit	139-4627
GTX Ball Cage ROPS, Certified.....	07161
Canopy W/ ROPS.....	07169
Canopy Mount Kit, Workman GTX Utility Vehicle with Extended Flatbed	07199
Full Shelf For Van Box	07441



Count on it.